

3PDT, 15 AMPS

UL **US**
UL Recognized
File No. E43641

LF LR40787

UL LISTED 367G
IND. CONT. EQ.
C **US**

WHEN USED WITH
SOCKETS 70-783D-1,

CURRENT LIMITED TO
RATING OF RELAY OR
SOCKET WHICHEVER
IS LESS

STANDARD COVER



STANDARD COVER WITH
FLANGE ADAPTER 16-783C1
ON TOP



**TOP OR BOTTOM FLANGE
ADAPTER ORDERED AND
SHIPPED SEPARATELY**

STANDARD COVER WITH
FLANGE ADAPTER 16-783C1
ON BOTTOM



**TOP OR BOTTOM FLANGE
ADAPTER ORDERED AND
SHIPPED SEPARATELY**

STANDARD COVER
WITH DIN ADAPTER
16-783C



**DIN ADAPTER ORDERED AND
SHIPPED SEPARATELY**

Mating Sockets
70-783D-1: SCREW/DIN
See section 8, page 21



FEATURES

FLAG INDICATOR:

BI - POLAR

L.E.D. STATUS LAMP:

PUSH BUTTON:

LOCK-DOWN DOOR:

FINGER-GRIP COVER:

I.D. TAG/WRITE LABEL:

COVER ADAPTERS:

BENEFITS

SHOWS RELAY STATUS IN MANUAL OR POWERED CONDITION.
SHOWS COIL "ON" OR "OFF" STATUS. IDEAL IN LOW LIGHT CONDITIONS.
ALLOWS FOR MANUAL OPERATION OF RELAY WITHOUT THE NEED FOR COIL POWER. IDEAL FOR FIELD SERVICE PERSONNEL TO TEST CONTROL CIRCUITS.
WHEN ACTIVATED, HOLDS PUSH BUTTON AND CONTACTS IN THE OPERATE POSITION. EXCELLENT FOR ANALYZING CIRCUIT PROBLEMS.
ALLOWS OPERATOR TO REMOVE RELAYS FROM SOCKETS MORE EASILY THAN CONVENTIONAL RELAYS.
USED FOR IDENTIFICATION OF RELAYS IN MULTI-RELAY CIRCUITS.
DIN RAIL FLANGE ADAPTER OR TOP/BOTTOM FLANGE ADAPTER, ALLOWS THE 783 RELAY TO BE DIRECT MOUNTED TO A DIN RAIL OR PANEL.

GENERAL SPECIFICATIONS

COIL

Pull-in Voltage: 75% of nominal voltage or less for DC coils, 80% of nominal voltage or less for AC coils
Dropout Voltage: DC-10%, AC- 30% of nominal voltage or more
Max. Voltage: 110%
Resistance: ±15% measured @ 25°C
Coil Power: 1.5 watts DC, 1.7 VA (60Hz) AC @ 25°C
Insulation System: Class "B" (130°C per UL standard 1446)
Max. Coil Dissipation: 3.0 watts DC, 3.4 VA (60Hz) AC. @ 25°C
Duty: Continuous

CONTACTS

Contact Material: Solid silver alloy, gold flashed
Contact Rating: 15 amps @ 110/120 VAC 50/60Hz (30 amps max.)
12 amps @ 28 VDC (30 amps max.)
12 amps @ 220/277 VAC 50/60Hz (20 amps max.)
1/2Hp @ 120 VAC, 3/4 Hp @ 250 VAC, B300 pilot duty
Contact Resistance: 50 milliohms maximum initial resistance

DIELECTRIC STRENGTH

Contacts to Coil: 2500 V rms
Across open Contacts: 1000 V rms
Pole to Pole: 2500 V rms
Contacts to Frame: 2500 V rms
Insulation Resistance: 100 megohms min. @ 500 VDC

TEMPERATURE

Operating: -30°C to +70°C
Storage: -30°C to +105°C

VIBRATION RESISTANCE

Functional: 6 g's, 10 to 55 Hz (0.6 mm double amplitude)

SHOCK RESISTANCE

Functional: 10 g's

LIFE EXPECTANCY

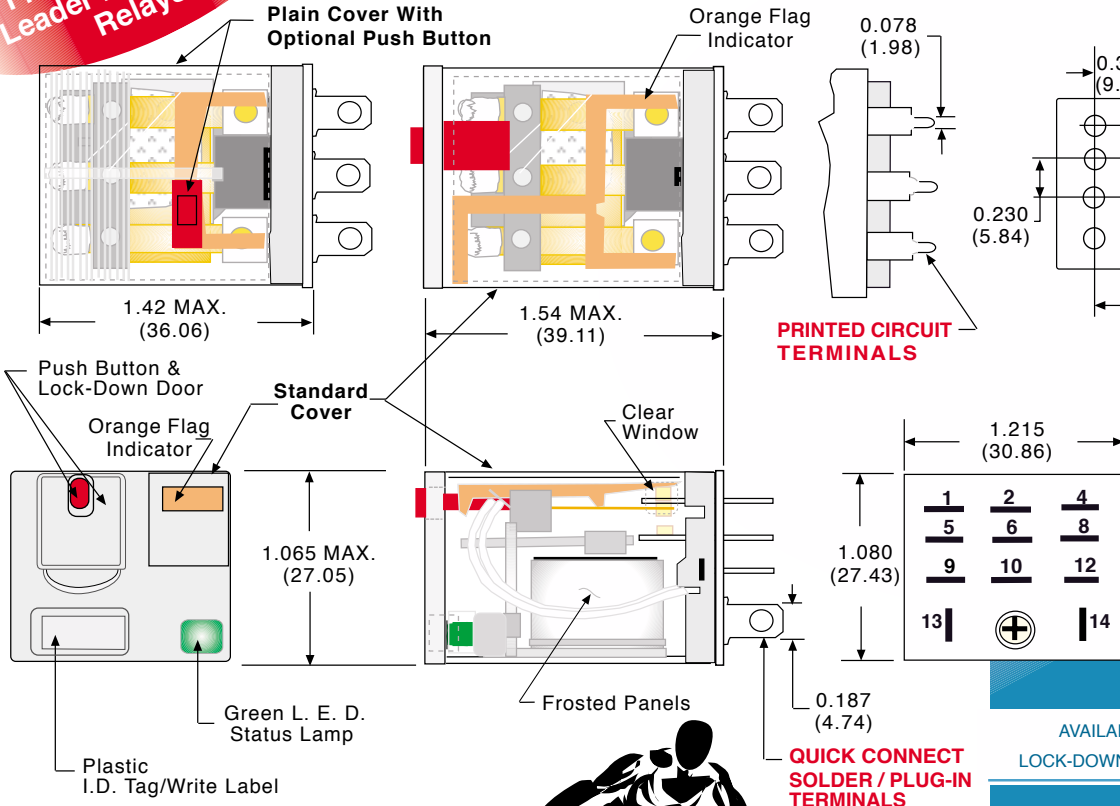
Electrical: 150,000 operations @ rated resistive load
Mechanical: 10,000,000 operations @ no load

MISCELLANEOUS

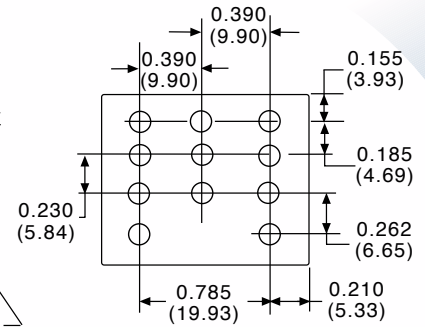
Operating Position: Any
Insulation Material: Molded plastic
Enclosure: Polycarbonate dust cover
Weight: 60 grams approx.

NEW
From The Market
Leader in Industrial
Relays

OUTLINE DIMENSIONS
DIMENSIONS SHOWN IN INCHES & (MILLIMETERS).

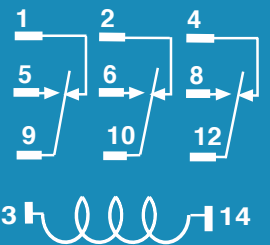


PRINTED CIRCUIT MOUNTING HOLE LAYOUT
(BOTTOM VIEW)



AVAILABLE WITHOUT
LOCK-DOWN DOOR: CODE "M"

WIRING DIAGRAM
(VIEWED FROM PIN END)



BI - POLAR
L.E.D. STATUS LAMP
ALLOWS FOR REVERSE
POLARITY APPLICATIONS

ORDERING CODE FOR RELAYS

783 **XCX** **M4L** **-120A**

CLASS: _____

CONTACT CONFIGURATION: _____
3PDT: XCX

TERMINAL STYLE: _____
QUICK CONNECT SOLDER / PLUG-IN TERMINALS: NO CODE
PRINTED CIRCUIT TERMINALS: CODE T

OPTIONAL PLAIN COVER: _____
CODE C

STANDARD COVER FEATURES: _____
PUSH BUTTON & LOCK-DOWN DOOR: CODE M4
BI - POLAR L.E.D. STATUS LAMP: CODE L

OPTIONAL STANDARD COVER DELETION: _____
PUSH BUTTON AND BI - POLAR L.E.D. WITHOUT LOCK-DOWN DOOR: CODE ML

OPTIONAL PLAIN COVER FEATURES: _____
PUSH BUTTON WITHOUT LOCK-DOWN DOOR: CODE M
BI - POLAR L.E.D. STATUS LAMP: CODE L

COIL VOLTAGE: _____
6, 12, 24, 120, 220/230, 240 ADD "A" FOR AC COILS
6, 12, 24, 48, 110 ADD "D" FOR DC COILS

COIL MEASURED @ 25°C

STANDARD PART NUMBERS	PLAIN COVER	NOMINAL INPUT VOLTAGE	NOMINAL RESISTANCE (OHMS)
AC OPERATED - SOLDER/PLUG-IN, 15 AMP			
783XCXM4L-24A	783XCXC-24A	24 VAC, 50/60 Hz	84.5 Ω
783XCXM4L-120A	783XCXC-120A	120 VAC, 50/60 Hz	2220 Ω
783XCXM4L-240A		240 VAC, 50/60 Hz	9120 Ω
DC OPERATED - SOLDER/PLUG-IN, 15 AMP			
783XCXM4L-12D		12 VDC	96 Ω
783XCXM4L-24D	783XCXC-24D	24 VDC	380 Ω
783XCXM4L-110D		110 VDC	7340 Ω
AC OPERATED - PRINTED CIRCUIT, 15 AMP			
783XCXTM4L-120A		120 VAC, 50/60 Hz	2220 Ω
DC OPERATED - PRINTED CIRCUIT, 15 AMP			
783XCXTM4L-12D		12 VDC	96 Ω
783XCXTM4L-24D		24 VDC	388 Ω