

VIN PLATE DECODING INFORMATION

1	2	3	4	5	6	7	8	9	10	11	12 thru 17
Country	Make	Vehicle Type	Other	Line	Series	Body Style	Engine	Check Digit	Model Year	Assy. Plant	Sequence No.

The following table interprets the VIN Plate position shown above.

Position	Interpretation	Codes = Description
1	Country of Origin	W = DaimlerChrysler AG
2	Assembler	D = Sprinter
3	Vehicle Type	W = Dodge Bus X = Dodge Incomplete 8 = Dodge Multipurpose Passenger Vehicle 0 = Dodge Wagon 1 = Sprinter Cab-Chassis 1 = Sprinter Chassis-Cab 5 = Sprinter Multipurpose Passenger Vehicle 2 = Sprinter Truck
4	GVWR & Pass. Safety	P = 4X2 - U.S. B = 4X4 - Canada
5	Vehicle Line	D = Combine with position 6
6	Series	1 = 2500C/C2500/P2500 3000 mm 15 in. wheel 8,001 - 9,000 lbs. Class G 6 = 2500C/C2500/P2500 3567 mm 16in. wheel 8,001 - 9,000 lbs. Class G 7 = 2500C/C2500/P2500 4042 mm 16in. wheel 8,001 - 9,000 lbs. Class G 8 = 3500C 3567 mm 16in. wheel 10,001 - 14,000 lbs. Class 3 9 = 3500C 4042 mm 16 in. wheel 10,001 - 14,000 lbs. Class 3 4 = 3500C/C3500 3550 mm 15 in. wheel 9,001 - 10,000 lbs. Class H 5 = 3500C/C3500 4025 mm 15 in. wheel 9,001 - 10,000 lbs. Class H
7	Body Style	4 = Combine with position 8
8	Engine	2 = 2.7L 50 State Diesel, Hydraulic Brakes
9	Check Digit	0 = Check Digit
10	Model Year	6 = 2006
11	Assembly Plant	5 = Dusseldorf
12 thru 17	Vehicle Build Sequence	Model Year Assembly Sequence

Group - 2

Front Suspension & Drive

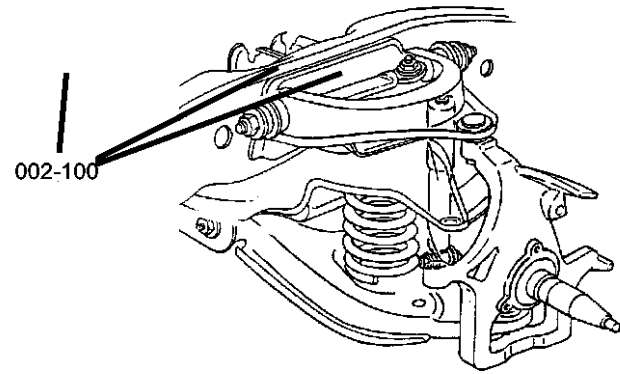
Group - 2 Front Suspension & Drive

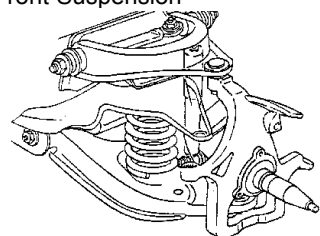
Illustration Title

Group-Fig. No.

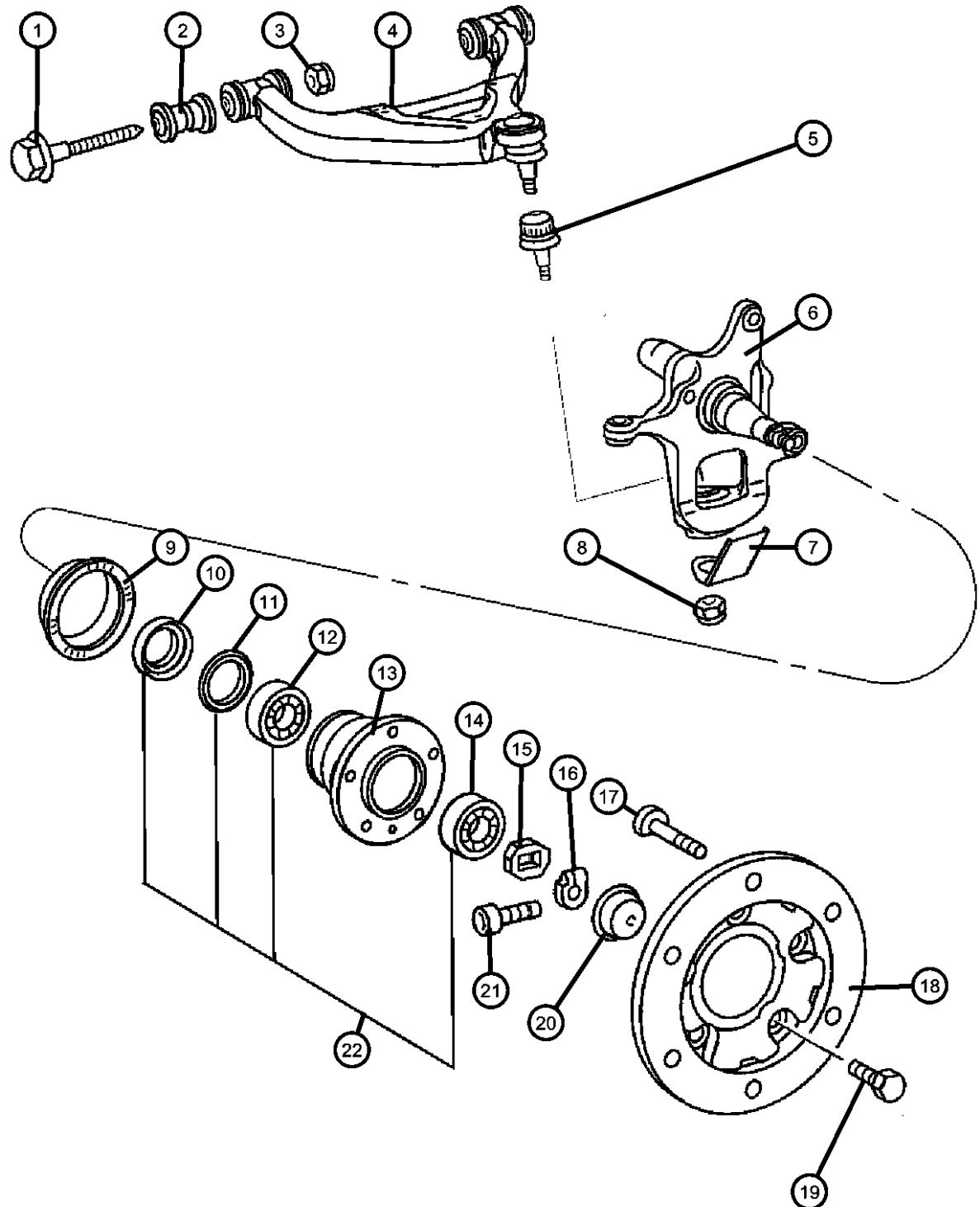
Front Suspension

Front Control Arms, Knuckles, Bearings and Hubs.....	Fig. 2 - 110
Front Shocks	Fig. 2 - 120
Front Stabilzer Bar	Fig. 2 - 130
Front Spring	Fig. 2 - 140



<p>002-100 Front Suspension</p> 			
---	--	--	--

Front Control Arms, Knuckles, Bearings and Hubs
Figure 2-110



ITEM	PART NUMBER	QTY	LINE	SERIES	BODY	ENGINE	TRANS	TRIM	DESCRIPTION
------	-------------	-----	------	--------	------	--------	-------	------	-------------

Note: Sales Codes

Note: On Up To and From parts, you will have to refer to the Vehicle Data Card.

1	05133819AA	4							BOLT, Hex Head
2	05133818AA	2	2, 3, 6, 7						BUSHING, Control Arm
3									NUT
	06104719AA	2	2, 6	L	11, 12, 14, 15, 16				
		2	2, 6	L	51, 52, 54, 55, 56				
		2	3, 7	L	02, 06				
		2	3, 7	L	12, 15, 16				
		2	2, 6	L	01, 02, 06				
4									ARM, Lower Control, Front
	05104578AB	1	3, 7						Left
	05136057AB	1	3, 7						Right
	05137552AA	1	2, 6	L					Right
	05137632AA	1	2, 6	L					Left
5	05139559AA	2							BALL JOINT, Lower Control Arm
6									KNUCKLE, Front
	05135233AA	1	2, 6	L	01, 02, 06				Left
		1	3, 7	L	02, 06				With Special Version [504032 / 09], Left
	05139492AA	1	3, 7						Right
	05104579AA	1	3, 7						Left
	05135232AA	1	2, 6	L	11, 12, 14, 15, 16				Right
		1	2, 6	L	56, 51, 52, 54, 55				Right
		1	2, 6	L	01, 02, 06				Right
		1	3, 7	L	02, 06				With Special Version [504032 / 10], Right

SPRINTER (VA)

SERIES

L = LOWLINE
 3 = HD DODGE 2WD
 8 = HD DODGE 4WD
 6 = Lt. Duty DODGE 4WD
 2 = Med. Duty DODGE 2WD
 7 = Med. Duty DODGE 4WD
 4 = TRUCK

LINE

BODY

01 = CHASSIS FORWARD CONTROL W.B.1
 02 = CAB CHASSIS WHEEL BASE 2
 06 = CAB CHASSIS WHEEL BASE 6
 11 = VAN WHEEL BASE 1
 12 = VAN WHEEL BASE 2
 51 = WAGON WHEEL BASE 1
 52 = WAGON WHEEL BASE 2
 14 = VAN WHEEL BASE 4
 15 = VAN WHEEL BASE 5
 54 = WAGON WHEEL BASE 4
 55 = WAGON WHEEL BASE 5
 56 = WAGON WHEEL BASE 6
 16 = VAN WHEEL BASE 6

ENGINE

EX8 = 2.7L I5 Turbo Diesel Engine
 EX9 = 2.7L I5 Mercedes-Benz TD Engine

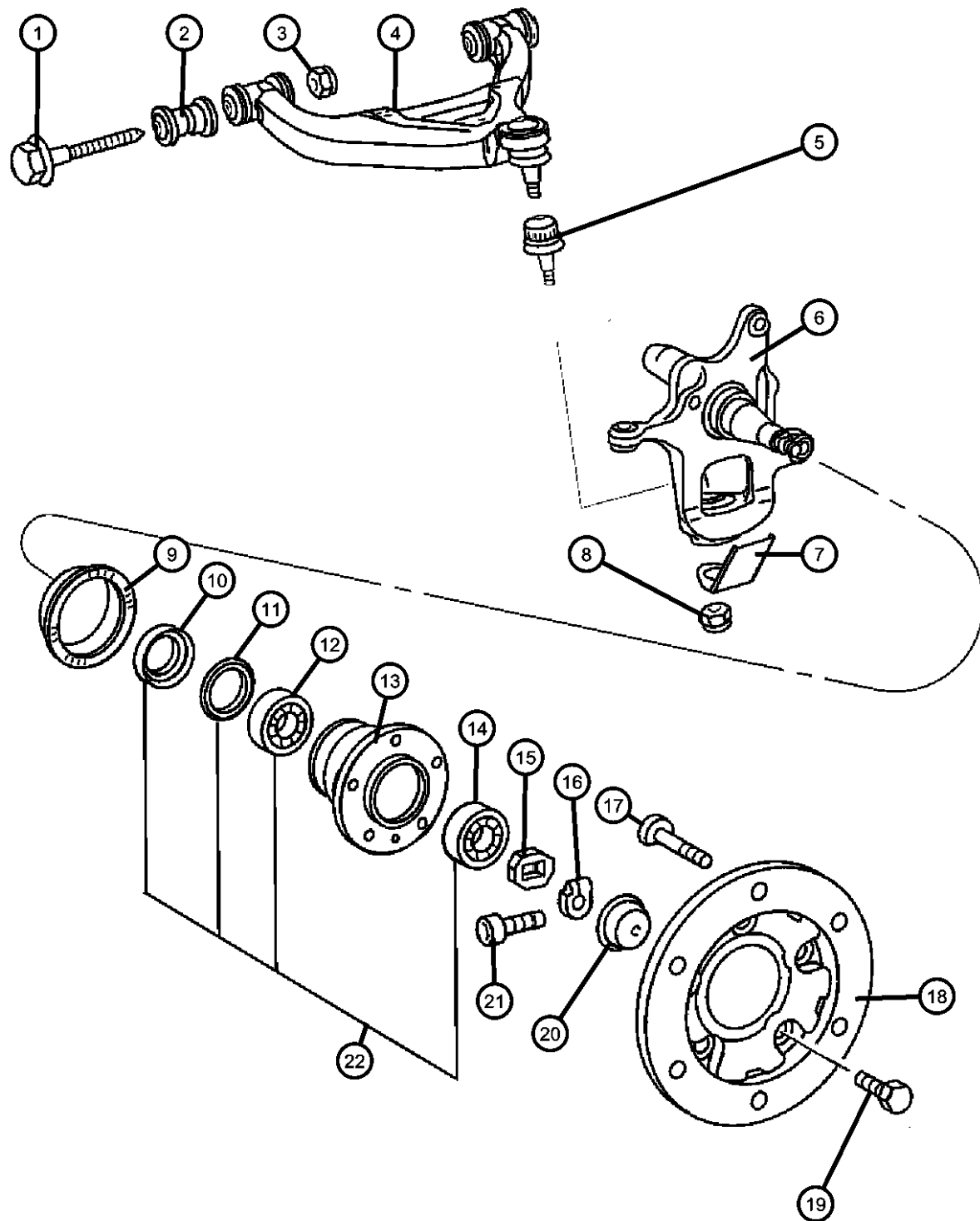
TRANSMISSION

DGJ = 5-Speed Automatic MB Transmission
 DGZ = 4-Spd. Automatic MT643 Transmission

AR = use ase required - = Non illustrated part

2006 VA

Front Control Arms, Knuckles, Bearings and Hubs
Figure 2-110



ITEM	PART NUMBER	QTY	LINE	SERIES	BODY	ENGINE	TRANS	TRIM	DESCRIPTION
		1	2, 6	L	11, 12, 14, 15, 16				Left
		1	2, 6	L	51, 52, 54, 55, 56				Left
7	05136122AA	2							PLATE, Control Arm
8	05136123AA	1	2, 3, 6, 7						NUT, Ball Joint
9	05139358AA	2							RING, Tone
10	05103901AB	2							SEAL, Hub
11	05139359AA	2							SEAL, Wheel Hub
12	05103779AA	2							BEARING, AxleInner
13									HUB, Front Wheel
	05104556AA	2							Up To Axle S482213/Y422059
	05139360AA	2							From Axle S482214/Y422060
14	05103869AA	2							BEARING, AxleOuter
15	05103956AA	2							WASHER, Thrust, Front
16	05097843AA	2							NUT
17	05139905AA	2	3, 7						BOLT
18	05139903AA	2	3, 7						FLANGE, Axle Output
19	06104258AA	12	3, 7	L					SCREW, Hex Flange Head
20	05103914AA	2							CAP, Wheel Hub Grease
21	05104617AA	2							SCREW
22									HUB AND BEARING PACKAGE, Kit
	05103579AA	1							Up To Axle S231915/Y245976
	05139357AA	1							From Axle S4231916/Y245977

SPRINTER (VA)

SERIES
 L = LOWLINE

LINE

3 = HD DODGE 2WD
 8 = HD DODGE 4WD
 6 = Lt. Duty DODGE 4WD
 2 = Med. Duty DODGE 2WD
 7 = Med. Duty DODGE 4WD
 4 = TRUCK

BODY

01 = CHASSIS FORWARD CONTROL W.B.1
 02 = CAB CHASSIS WHEEL BASE 2
 06 = CAB CHASSIS WHEEL BASE 6
 11 = VAN WHEEL BASE 1
 12 = VAN WHEEL BASE 2
 51 = WAGON WHEEL BASE 1
 52 = WAGON WHEEL BASE 2
 14 = VAN WHEEL BASE 4
 15 = VAN WHEEL BASE 5
 54 = WAGON WHEEL BASE 4
 55 = WAGON WHEEL BASE 5
 56 = WAGON WHEEL BASE 6
 16 = VAN WHEEL BASE 6

ENGINE

EX8 = 2.7L I5 Turbo Diesel Engine
 EX9 = 2.7L I5 Mercedes-Benz TD Engine

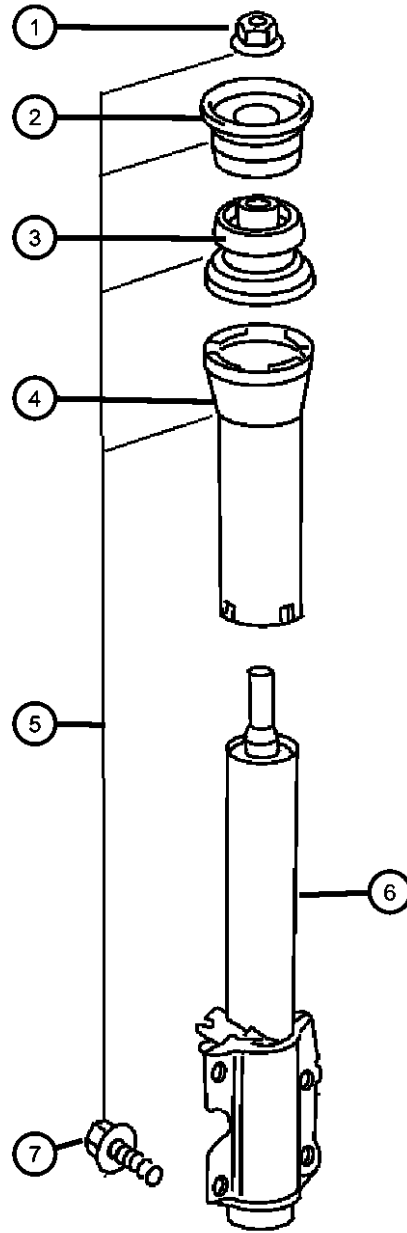
TRANSMISSION

DGJ = 5-Speed Automatic MB Transmission
 DGZ = 4-Spd. Automatic MT643 Transmission

AR = use ase required - = Non illustrated part

2006 VA

**Front Shocks
Figure 2-120**



ITEM	PART NUMBER	QTY	LINE	SERIES	BODY	ENGINE	TRANS	TRIM	DESCRIPTION
------	-------------	-----	------	--------	------	--------	-------	------	-------------

Note: Sales Codes:
[SHA]=Stabilizer Bar - Front
[3AT]=Rear Springs Weight 3.88T

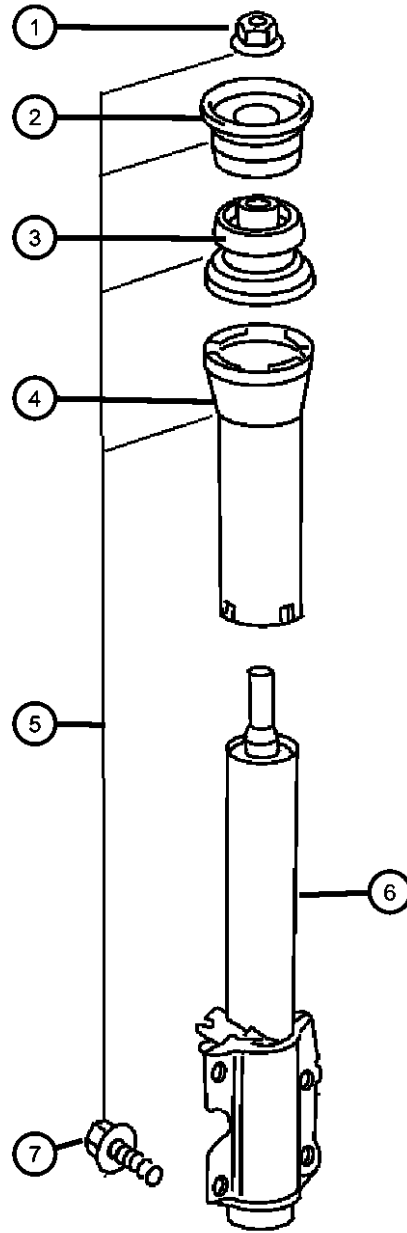
1									NUT
	05125762AA	2	2, 6	L	01, 02, 06				
		2	2, 6	L	11, 12, 14, 15, 16				
		2	2, 6	L	51, 52, 54, 55, 56				
		2	3, 7	L	02, 06				
		2	3, 7	L	12, 15, 16				
2									BUSHING, Shock Absorber
	05118718AA	2	2, 6	L	01, 02, 06				
		2	2, 6	L	11, 12, 14, 15, 16				
		2	2, 6	L	51, 52, 54, 55, 56				
		2	3, 7	L	02, 06				
		2	3, 7	L	12, 15, 16				
3									BUSHING, Shock Absorber
	05118722AA	2	2, 6	L	01, 02, 06				
		2	2, 6	L	11, 12, 14, 15, 16				
		2	2, 6	L	51, 52, 54, 55, 56				
		2	3, 7	L	02, 06				
		2	3, 7	L	12, 15, 16				
4									SHIELD, Shock Absorber Dust
	05118728AA	2	2, 6	L	01, 02, 06				
		2	2, 6	L	11, 12, 14, 15, 16				
		2	2, 6	L	51, 52, 54, 55, 56				

SPRINTER (VA)

SERIES	LINE	BODY	ENGINE	TRANSMISSION
L = LOWLINE	3 = HD DODGE 2WD	01 = CHASSIS FORWARD CONTROL W.B.1	EX8 = 2.7L I5 Turbo Diesel Engine	DGJ = 5-Speed Automatic MB Transmission
	8 = HD DODGE 4WD	02 = CAB CHASSIS WHEEL BASE 2	EX9 = 2.7L I5 Mercedes-Benz TD Engine	DGZ = 4-Spd. Automatic MT643 Transmission
	6 = Lt. Duty DODGE 4WD	06 = CAB CHASSIS WHEEL BASE 6		
	2 = Med. Duty DODGE 2WD	11 = VAN WHEEL BASE 1		
	7 = Med. Duty DODGE 4WD	12 = VAN WHEEL BASE 2		
	4 = TRUCK	51 = WAGON WHEEL BASE 1		
		52 = WAGON WHEEL BASE 2		
		14 = VAN WHEEL BASE 4		
		15 = VAN WHEEL BASE 5		
		54 = WAGON WHEEL BASE 4		
		55 = WAGON WHEEL BASE 5		
		56 = WAGON WHEEL BASE 6		
		16 = VAN WHEEL BASE 6		

AR = use ase required - = Non illustrated part

Front Shocks
Figure 2-120



ITEM	PART NUMBER	QTY	LINE	SERIES	BODY	ENGINE	TRANS	TRIM	DESCRIPTION
		2	3, 7	L	02, 06				
		2	3, 7	L	12, 15, 16				
5	05133869AA	2	2, 6	L	01, 02, 06				PARTS KIT, Shock
		2	2, 6	L	11, 12, 14, 15, 16				
		2	2, 6	L	51, 52, 54, 55, 56				
		2	3, 7	L	02, 06				
6		2	3, 7	L	12, 15, 16				ABSORBER, Shock
	05104063AA	2	2, 6	L					
	05128502AA	2	3, 7	L	12, 15, 16				
	05139548AA	2	2, 6						[3AT,SHA]
7	05125699AA	8							SCREW, Strut to Knuckle, Mounting

SPRINTER (VA)

SERIES

L = LOWLINE

LINE

3 = HD DODGE 2WD
 8 = HD DODGE 4WD
 6 = Lt. Duty DODGE 4WD
 2 = Med. Duty DODGE 2WD
 7 = Med. Duty DODGE 4WD
 4 = TRUCK

BODY

01 = CHASSIS FORWARD CONTROL W.B.1
 02 = CAB CHASSIS WHEEL BASE 2
 06 = CAB CHASSIS WHEEL BASE 6
 11 = VAN WHEEL BASE 1
 12 = VAN WHEEL BASE 2
 51 = WAGON WHEEL BASE 1
 52 = WAGON WHEEL BASE 2
 14 = VAN WHEEL BASE 4
 15 = VAN WHEEL BASE 5
 54 = WAGON WHEEL BASE 4
 55 = WAGON WHEEL BASE 5
 56 = WAGON WHEEL BASE 6
 16 = VAN WHEEL BASE 6

ENGINE

EX8 = 2.7L I5 Turbo Diesel Engine
 EX9 = 2.7L I5 Mercedes-Benz TD Engine

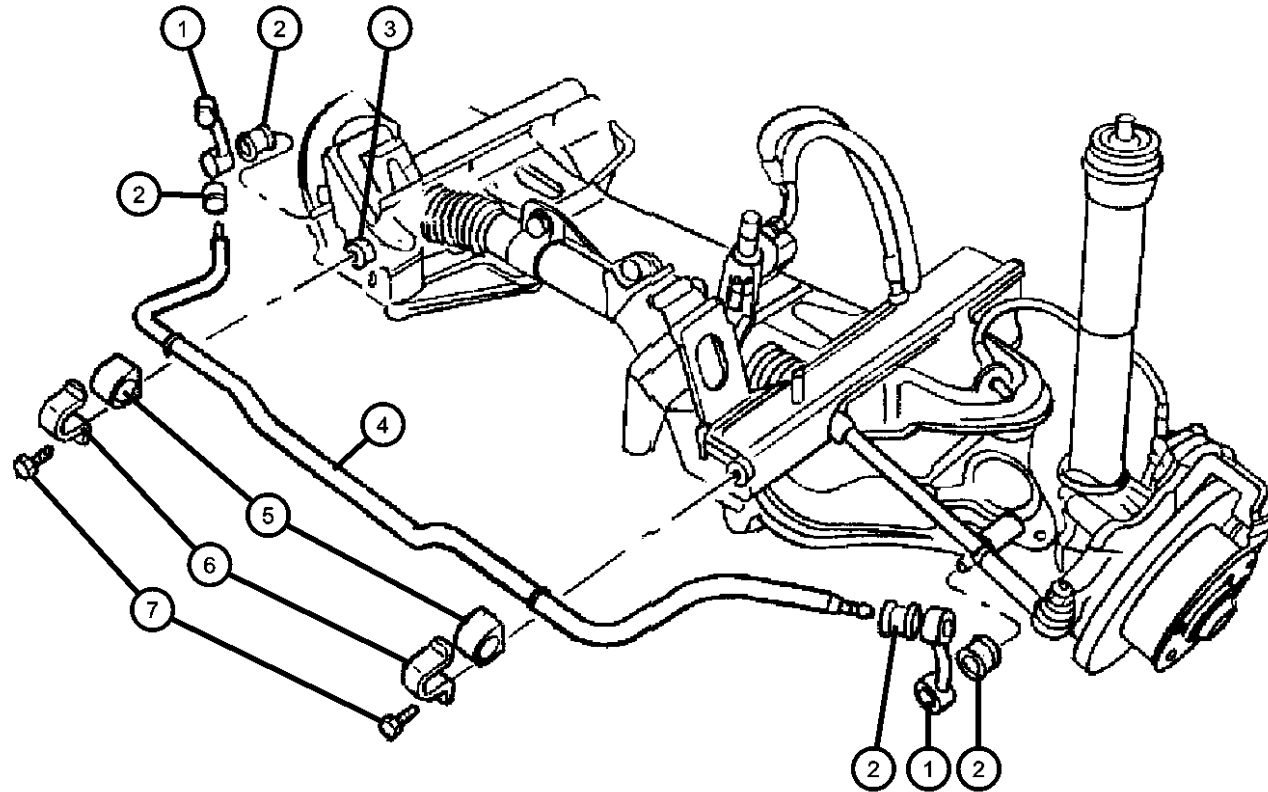
TRANSMISSION

DGJ = 5-Speed Automatic MB Transmission
 DGZ = 4-Spd. Automatic MT643 Transmission

AR = use ase required - = Non illustrated part

2006 VA

**Front Stabilizer Bar
Figure 2-130**



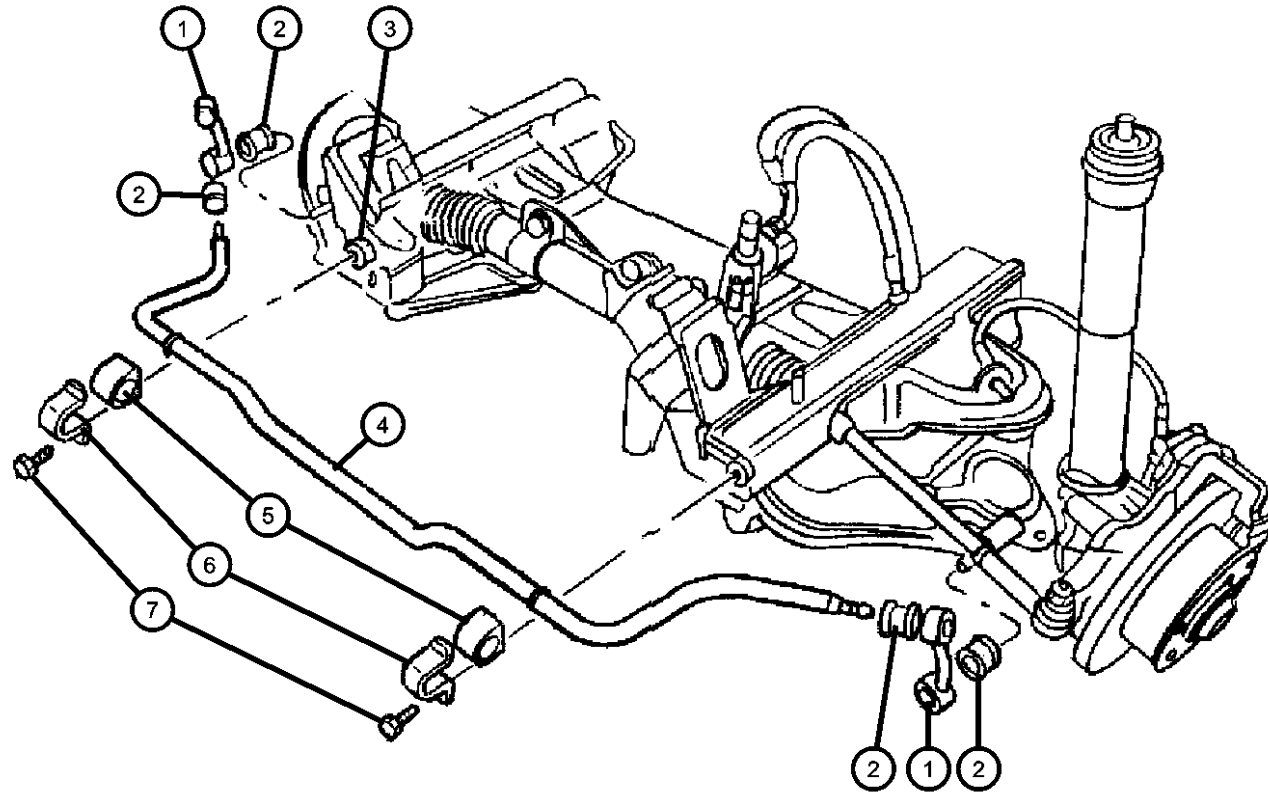
ITEM	PART NUMBER	QTY	LINE	SERIES	BODY	ENGINE	TRANS	TRIM	DESCRIPTION
Note; Sales Codes: [SHA]=Stabilizer Bar-Front [SHB]= [SHJ]=									
1									LINK, Stabilizer Bar
	05104059AA	1	2, 6	L	01, 02, 06				[SHA,SHJ], Left
		1	2, 6	L	11, 12, 14, 15, 16				[SHA,SHJ], Left
		1	2, 6	L	51, 52, 54, 55, 56				[SHA,SHJ], Left
		1	3, 7	L	02, 06				[SHJ], Left
		1	3, 7	L	12, 15, 16				[SHJ], Left
	05104060AA	1	2, 6	L	01, 02, 06				[SHA,SHJ], Right
		1	2, 6	L	11, 12, 14, 15, 16				[SHA,SHJ], Right
		1	2, 6	L	51, 52, 54, 55, 56				[SHA,SHJ], Right
		1	3, 7	L	02, 06				[SHJ], Right
		1	3, 7	L	12, 15, 16				[SHJ], Right
	05127276AA	1	2, 6	L	11, 12, 14, 15, 16				[SHB], Left
	05127277AA	1	2, 6	L	11, 12, 14, 15, 16				[SHB], Right
2									BUSHING
	05104066AA	4	2, 6	L	01, 02, 06				
		4	2, 6	L	11, 12, 14, 15, 16				
		4	2, 6	L	51, 52, 54, 55, 56				
		4	3, 7	L	02, 06				
		4	3, 7	L	12, 15, 16				
3									NUT
	05104677AA	2	2, 6	L	01, 02, 06				

SPRINTER (VA)

SERIES	LINE	BODY	ENGINE	TRANSMISSION
L = LOWLINE	3 = HD DODGE 2WD 8 = HD DODGE 4WD 6 = Lt. Duty DODGE 4WD 2 = Med. Duty DODGE 2WD 7 = Med. Duty DODGE 4WD 4 = TRUCK	01 = CHASSIS FORWARD CONTROL W.B.1 02 = CAB CHASSIS WHEEL BASE 2 06 = CAB CHASSIS WHEEL BASE 6 11 = VAN WHEEL BASE 1 12 = VAN WHEEL BASE 2 51 = WAGON WHEEL BASE 1 52 = WAGON WHEEL BASE 2 14 = VAN WHEEL BASE 4 15 = VAN WHEEL BASE 5 54 = WAGON WHEEL BASE 4 55 = WAGON WHEEL BASE 5 56 = WAGON WHEEL BASE 6 16 = VAN WHEEL BASE 6	EX8 = 2.7L I5 Turbo Diesel Engine EX9 = 2.7L I5 Mercedes-Benz TD Engine	DGJ = 5-Speed Automatic MB Transmission DGZ = 4-Spd. Automatic MT643 Transmission

AR = use ase required - = Non illustrated part

Front Stabilizer Bar
Figure 2-130



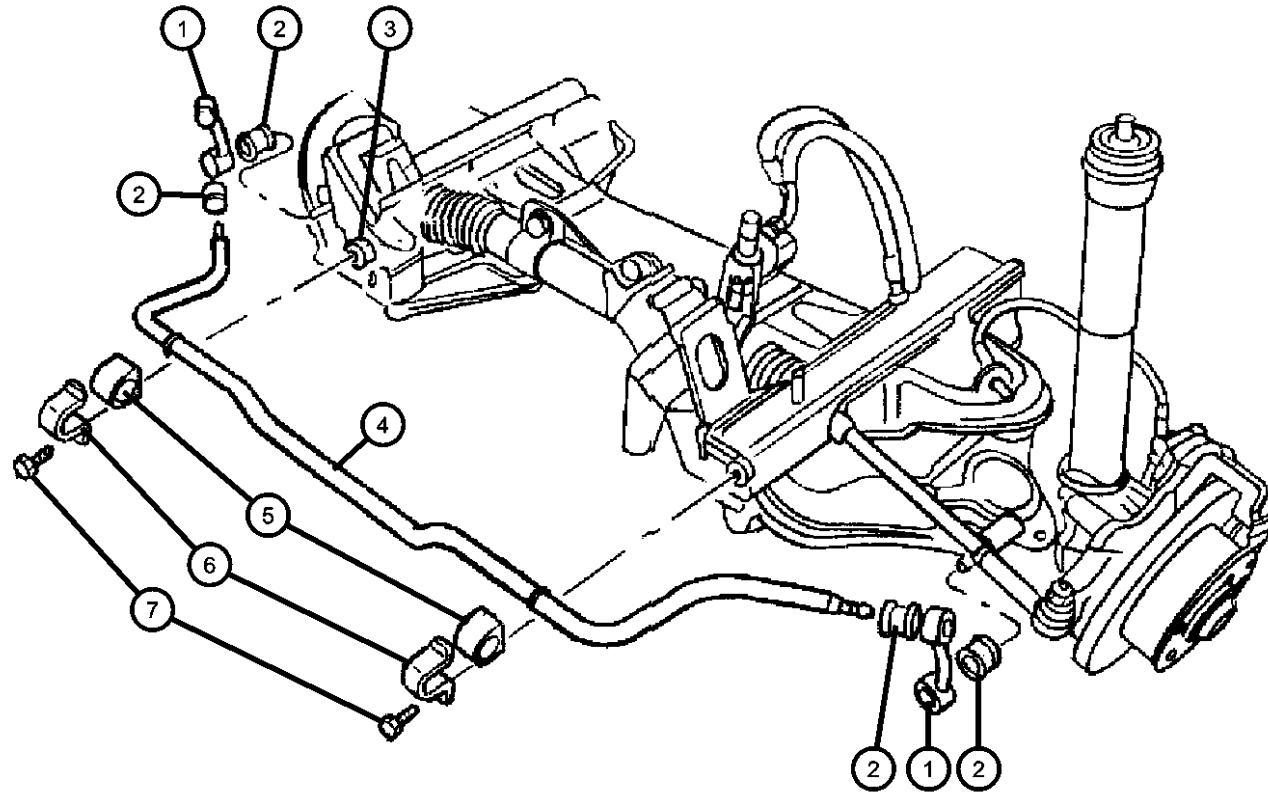
ITEM	PART NUMBER	QTY	LINE	SERIES	BODY	ENGINE	TRANS	TRIM	DESCRIPTION
		2	2, 6	L	11, 12, 14, 15, 16				
		2	2, 6	L	51, 52, 54, 55, 56				
		2	3, 7	L	02, 06				
		2	3, 7	L	12, 15, 16				
4									BAR, Front Sway
	05104576AA	1	3, 7	L	02, 06				[SHJ]
		1	3, 7	L	16, 12, 15				[SHJ]
	05127272AA	1	2, 6	L	11, 12, 14, 15, 16				[SHB]
	05128572AA	1	2, 6	L	01, 02, 06				[SHJ]
		1	2, 6	L	11, 12, 14, 15, 16				[SHJ]
		1	2, 6	L	51, 52, 54, 55, 56				[SHJ]
		1	2, 6	L	01, 02, 06				[SHA]
		1	2, 6	L	11, 12, 14, 15, 16				[SHA]
		1	2, 6	L	51, 52, 54, 55, 56				[SHA]
5									BUSHING, Stabilizer Bar
	05104065AA	2	2, 6	L	01, 02, 06				[SHJ]
		2	2, 6	L	11, 12, 14, 15, 16				[SHJ]
		2	2, 6	L	51, 52, 54, 55, 56				[SHJ]
	05104577AA	2	2, 6	L	01, 02, 06				[SHA]
		2	2, 6	L	11, 12, 14, 15, 16				[SHA]
		2	2, 6	L	51, 52, 54, 55, 56				[SHA]
		2	3, 7	L	02, 06				[SHJ]

SPRINTER (VA)

SERIES	LINE	BODY	ENGINE	TRANSMISSION
L = LOWLINE	3 = HD DODGE 2WD 8 = HD DODGE 4WD 6 = Lt. Duty DODGE 4WD 2 = Med. Duty DODGE 2WD 7 = Med. Duty DODGE 4WD 4 = TRUCK	01 = CHASSIS FORWARD CONTROL W.B.1 02 = CAB CHASSIS WHEEL BASE 2 06 = CAB CHASSIS WHEEL BASE 6 11 = VAN WHEEL BASE 1 12 = VAN WHEEL BASE 2 51 = WAGON WHEEL BASE 1 52 = WAGON WHEEL BASE 2 14 = VAN WHEEL BASE 4 15 = VAN WHEEL BASE 5 54 = WAGON WHEEL BASE 4 55 = WAGON WHEEL BASE 5 56 = WAGON WHEEL BASE 6 16 = VAN WHEEL BASE 6	EX8 = 2.7L I5 Turbo Diesel Engine EX9 = 2.7L I5 Mercedes-Benz TD Engine	DGJ = 5-Speed Automatic MB Transmission DGZ = 4-Spd. Automatic MT643 Transmission

AR = use ase required - = Non illustrated part

Front Stabilizer Bar
Figure 2-130



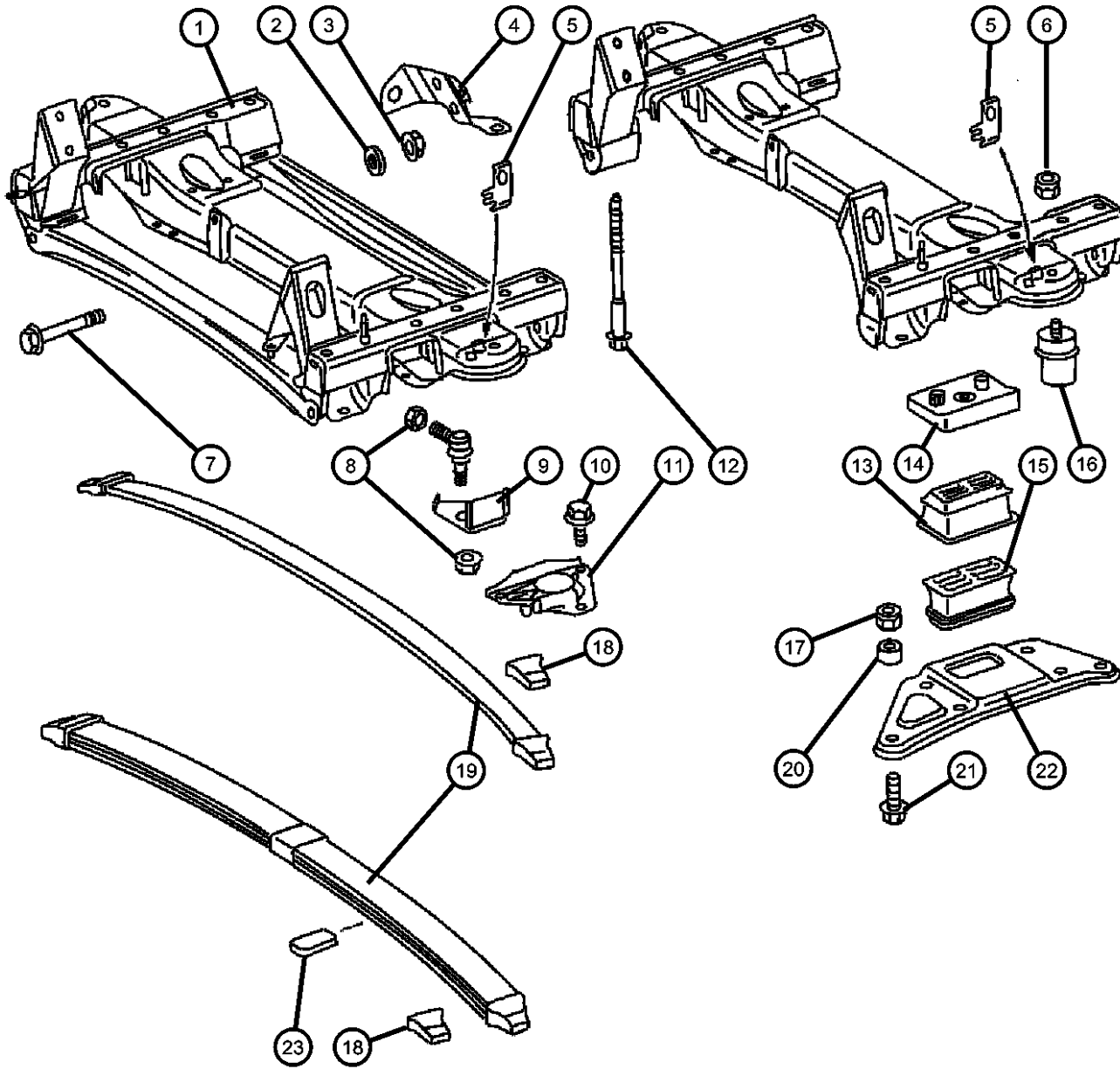
ITEM	PART NUMBER	QTY	LINE	SERIES	BODY	ENGINE	TRANS	TRIM	DESCRIPTION
		2	3, 7	L	12, 15, 16				[SHJ]
	05127273AA	2	2, 6	L	11, 12, 14, 15, 16				[SHB]
6									RETAINER, Stabilizer Bar Grommet
	05104067AA	2	2, 6	L	01, 02, 06				[SHA,SHJ]
		2	2, 6	L	11, 12, 14, 15, 16				[SHA,SHJ]
		2	2, 6	L	51, 52, 54, 55, 56				[SHA,SHJ]
		2	3, 7	L	06, 02				[SHJ]
		2	3, 7	L	12, 15, 16				[SHJ]
	05127274AA	2	2, 6	L	11, 12, 14, 15, 16				[SHB]
7									BOLT
	05104656AA	2	3, 7	L	12, 15, 16				
		2	6, 2	L	01, 02, 06				
		2	2, 6	L	11, 12, 14, 15, 16				
		2	2, 6	L	51, 52, 54, 55, 56				
		2	3, 7	L	02, 06				
	05140018AA	4	2, 6	L	11, 12, 14, 15, 16				SHB
-8	05140017AA	2	2, 6	L	11, 12, 14, 15, 16				PLATE, Stabilizer Bar Shim

SPRINTER (VA)

SERIES	LINE	BODY	ENGINE	TRANSMISSION
L = LOWLINE	3 = HD DODGE 2WD 8 = HD DODGE 4WD 6 = Lt. Duty DODGE 4WD 2 = Med. Duty DODGE 2WD 7 = Med. Duty DODGE 4WD 4 = TRUCK	01 = CHASSIS FORWARD CONTROL W.B.1 02 = CAB CHASSIS WHEEL BASE 2 06 = CAB CHASSIS WHEEL BASE 6 11 = VAN WHEEL BASE 1 12 = VAN WHEEL BASE 2 51 = WAGON WHEEL BASE 1 52 = WAGON WHEEL BASE 2 14 = VAN WHEEL BASE 4 15 = VAN WHEEL BASE 5 54 = WAGON WHEEL BASE 4 55 = WAGON WHEEL BASE 5 56 = WAGON WHEEL BASE 6 16 = VAN WHEEL BASE 6	EX8 = 2.7L I5 Turbo Diesel Engine EX9 = 2.7L I5 Mercedes-Benz TD Engine	DGJ = 5-Speed Automatic MB Transmission DGZ = 4-Spd. Automatic MT643 Transmission

AR = use ase required - = Non illustrated part

**Front Spring
Figure 2-140**



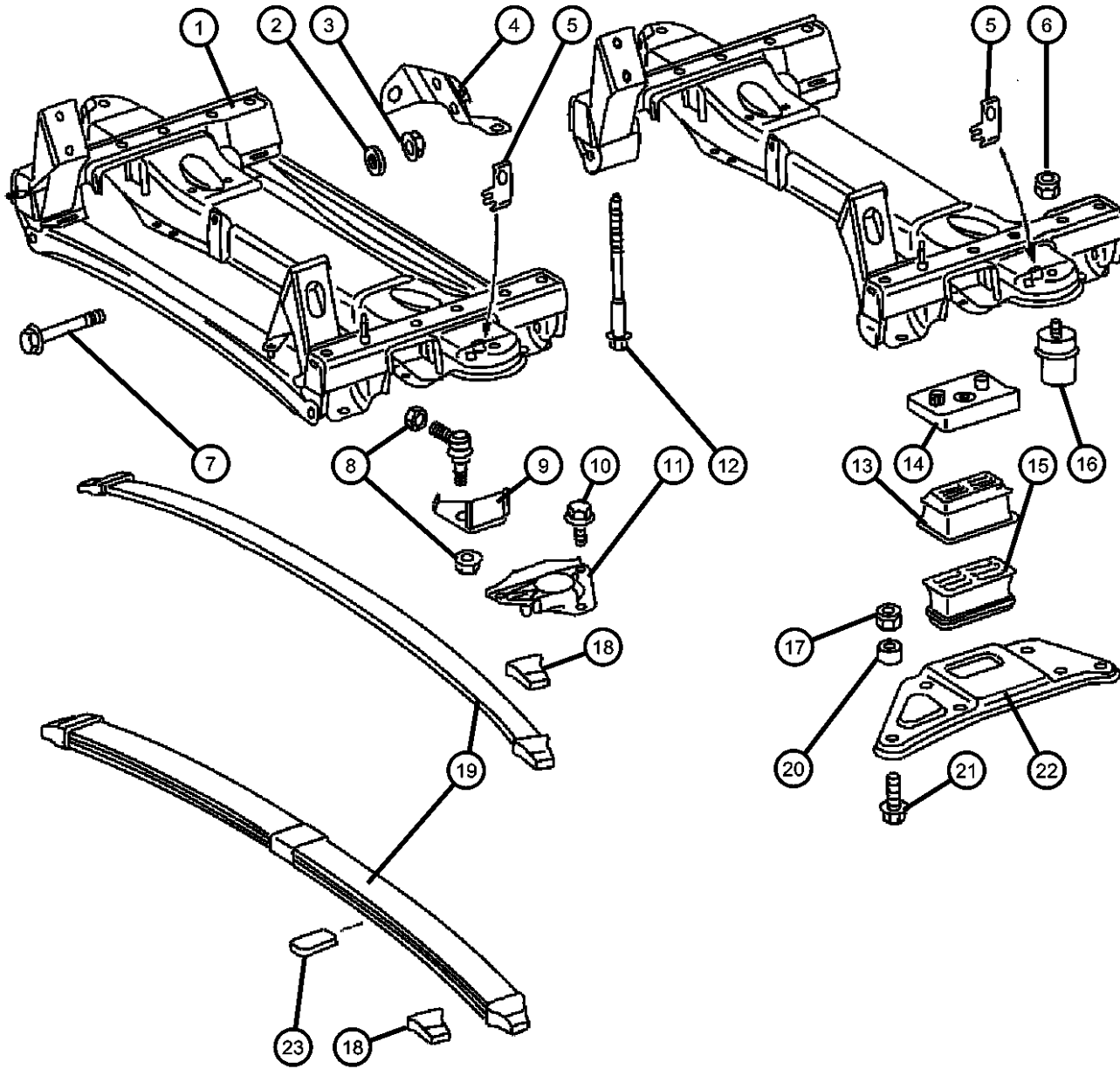
ITEM	PART NUMBER	QTY	LINE	SERIES	BODY	ENGINE	TRANS	TRIM	DESCRIPTION
1	05104074AA	1	2, 6						CROSSMEMBER, Front Axle
	05139740AA	1							WASHER, (NOT SERVICED)
2	05139740AA	1							NUT
3	06104718AA	2	2, 6	L	01, 02, 06				
		2	2, 6	L	11, 12, 14, 15, 16				
		2	2, 6	L	51, 52, 54, 55, 56				
		2	3, 7	L	02, 06				
		2	3, 7	L	12, 15, 16				
4	05119553AA	1	2, 6	L	01, 02, 06				BRACKET, Steering Gear
		1	2, 6	L	11, 12, 14, 15, 16				
		1	2, 6	L	54, 55, 56, 51, 52				
		1	3, 7	L	02, 06				
		1	3, 7	L	12, 15, 16				
5		1							BRACKET, (NOT SERVICED)
6	05132896AA	6	2, 6	L	11, 12, 14, 15, 16				NUT
		6	2, 6	L	51, 52, 54, 55, 56				
7	05125714AA	4	2, 6	L	01, 02, 06				SCREW

SPRINTER (VA)

SERIES	LINE	BODY	ENGINE	TRANSMISSION
L = LOWLINE	3 = HD DODGE 2WD 8 = HD DODGE 4WD 6 = Lt. Duty DODGE 4WD 2 = Med. Duty DODGE 2WD 7 = Med. Duty DODGE 4WD 4 = TRUCK	01 = CHASSIS FORWARD CONTROL W.B.1 02 = CAB CHASSIS WHEEL BASE 2 06 = CAB CHASSIS WHEEL BASE 6 11 = VAN WHEEL BASE 1 12 = VAN WHEEL BASE 2 51 = WAGON WHEEL BASE 1 52 = WAGON WHEEL BASE 2 14 = VAN WHEEL BASE 4 15 = VAN WHEEL BASE 5 54 = WAGON WHEEL BASE 4 55 = WAGON WHEEL BASE 5 56 = WAGON WHEEL BASE 6 16 = VAN WHEEL BASE 6	EX8 = 2.7L I5 Turbo Diesel Engine EX9 = 2.7L I5 Mercedes-Benz TD Engine	DGJ = 5-Speed Automatic MB Transmission DGZ = 4-Spd. Automatic MT643 Transmission

AR = use ase required - = Non illustrated part

Front Spring
Figure 2-140



ITEM	PART NUMBER	QTY	LINE	SERIES	BODY	ENGINE	TRANS	TRIM	DESCRIPTION
		4	2, 6	L	11, 12, 14, 15, 16				
		4	2, 6	L	51, 52, 54, 55, 56				
		4	3, 7	L	02, 06				
		4	3, 7	L	12, 15, 16				
8									NUT
	05125761AA	2	3, 7	L	02, 06				
		2	3, 7	L	12, 15, 16				
		2	2, 6	L	01, 02, 06				
		2	2, 6	L	16, 11, 12, 14, 15				
		2	2, 6	L	51, 52, 54, 55, 56				
9									PLATE, Backing
	05119249AA	2	2, 6	L	01, 02, 06				
		2	2, 6	L	11, 12, 14, 15, 16				
		2	2, 6	L	51, 52, 54, 55, 56				
		2	3, 7	L	02, 06				
		2	3, 7	L	12, 15, 16				
10									BOLT
	05126233AA	6	2, 6	L	01, 02, 06				
		6	2, 6	L	11, 12, 14, 15, 16				
		6	2, 6	L	51, 52, 54, 55, 56				
		6	3, 7	L	02, 06				
		6	3, 7	L	12, 15, 16				
11									PLATE, Stabilizer Bar With [SHA,SHJ,WDG], Right
	05104064AA	1	2, 6	L	01, 02, 06				

SPRINTER (VA)

SERIES

L = LOWLINE
 3 = HD DODGE 2WD
 8 = HD DODGE 4WD
 6 = Lt. Duty DODGE 4WD
 2 = Med. Duty DODGE 2WD
 7 = Med. Duty DODGE 4WD
 4 = TRUCK

LINE

BODY

01 = CHASSIS FORWARD CONTROL W.B.1
 02 = CAB CHASSIS WHEEL BASE 2
 06 = CAB CHASSIS WHEEL BASE 6
 11 = VAN WHEEL BASE 1
 12 = VAN WHEEL BASE 2
 51 = WAGON WHEEL BASE 1
 52 = WAGON WHEEL BASE 2
 14 = VAN WHEEL BASE 4
 15 = VAN WHEEL BASE 5
 54 = WAGON WHEEL BASE 4
 55 = WAGON WHEEL BASE 5
 56 = WAGON WHEEL BASE 6
 16 = VAN WHEEL BASE 6

ENGINE

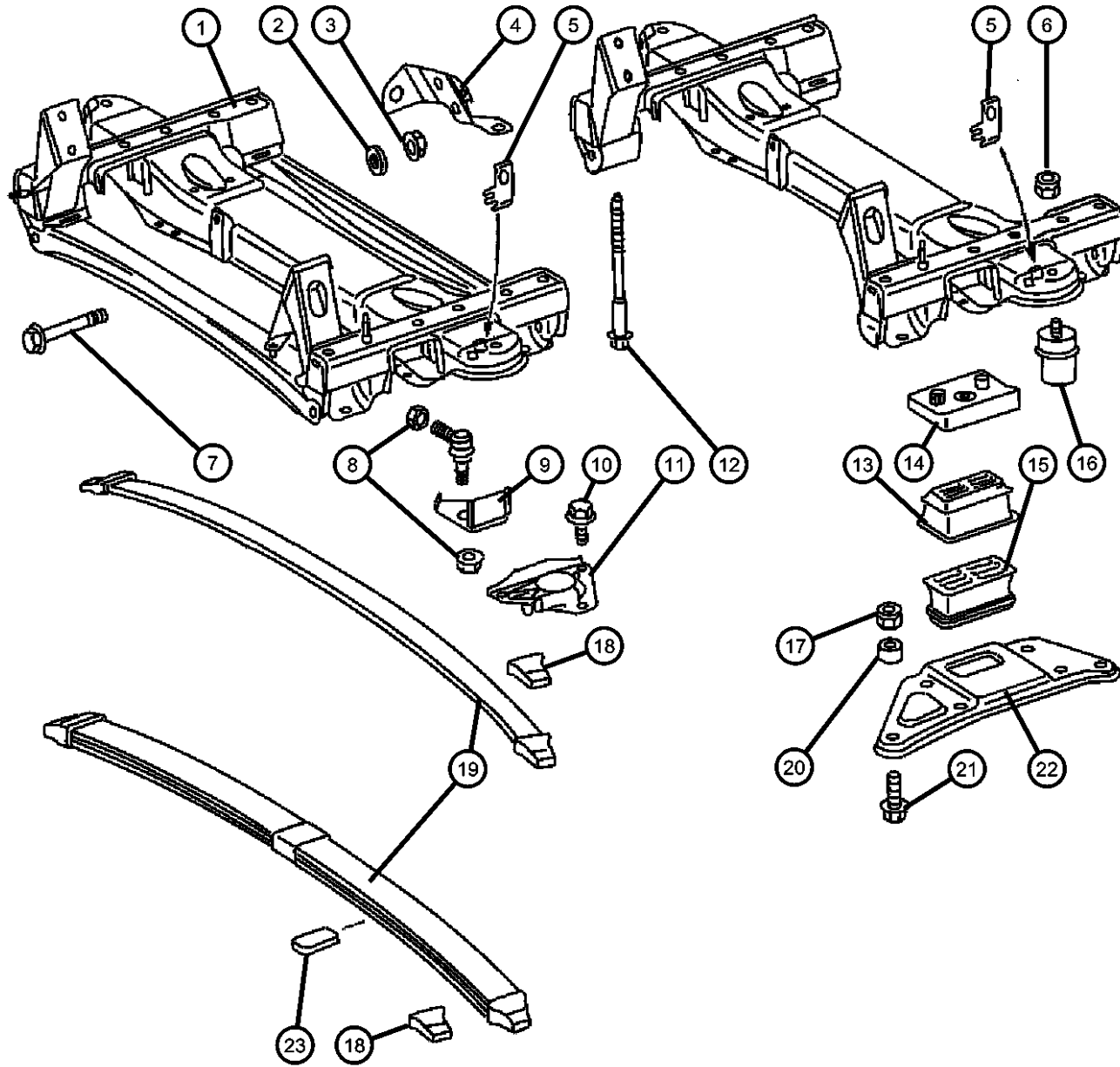
EX8 = 2.7L I5 Turbo Diesel Engine
 EX9 = 2.7L I5 Mercedes-Benz TD Engine

TRANSMISSION

DGJ = 5-Speed Automatic MB Transmission
 DGZ = 4-Spd. Automatic MT643 Transmission

AR = use ase required - = Non illustrated part

Front Spring
Figure 2-140



ITEM	PART NUMBER	QTY	LINE	SERIES	BODY	ENGINE	TRANS	TRIM	DESCRIPTION
	05118705AA	1	2, 6	L	51, 52, 54, 55, 56				Without [SHA,SHJ,WDG], Right or Left
		1	2, 6	L	11, 12, 14, 15, 16				With [SHA,SHJ,WDG], Right
		1	2, 6	L	51, 52, 54, 55, 56				With [SHA,SHJ,WDG], Right
		1	3, 7	L	02, 06				[SHJ], Right
		1	3, 7	L	12, 15, 16				[SHJ], Right
		1	2, 6	L	01, 02, 06				Without [SHA,SHJ,WDG], Right or Left
		1	2, 6	L	11, 12, 14, 15, 16				Without [SHA,SHJ,WDG], Right or Left
		1	3, 7	L	02, 06				Without [SHJ], Right or Left
		1	3, 7	L	12, 15, 16				Without [SHJ], Right or Left
	05118707AA	1	2, 6	L	01, 02, 06				With [SHA,SHJ,WDG], Left
		1	2, 6	L	11, 12, 14, 15, 16				With [SHA,SHJ,WDG], Left
		1	2, 6	L	52, 54, 55, 56, 51				With [SHA,SHJ,WDG], Left
		1	3, 7	L	02, 06				[SHJ], Left
		1	3, 7	L	12, 15, 16				[SHJ], Left
12									SCREW AND WASHER, Hex
	05125726AA	8	2, 6	L	01, 02, 06				WDG+(4Z1%4XS)
	05125725AA	8	2, 6	L	01, 02, 06				Without WDG, 4Z1%4XS
		8	2, 6	L	11, 12, 14, 15, 16				Without WDG, 4Z1%4XS
		8	2, 6	L	55, 56, 51, 52, 54				Without WDG, 4Z1%4XS
		8	2, 6	L	11, 12, 14, 15, 16				WDG+(4Z1%4XS)
		8	2, 6	L	51, 52, 54, 55, 56				WDG+(4Z1%4XS)
		8	3, 7	L	02, 06				ST

SPRINTER (VA)

SERIES

L = LOWLINE

LINE

3 = HD DODGE 2WD
8 = HD DODGE 4WD
6 = Lt. Duty DODGE 4WD
2 = Med. Duty DODGE 2WD
7 = Med. Duty DODGE 4WD
4 = TRUCK

BODY

01 = CHASSIS FORWARD CONTROL W.B.1
02 = CAB CHASSIS WHEEL BASE 2
06 = CAB CHASSIS WHEEL BASE 6
11 = VAN WHEEL BASE 1
12 = VAN WHEEL BASE 2
51 = WAGON WHEEL BASE 1
52 = WAGON WHEEL BASE 2
14 = VAN WHEEL BASE 4
15 = VAN WHEEL BASE 5
54 = WAGON WHEEL BASE 4
55 = WAGON WHEEL BASE 5
56 = WAGON WHEEL BASE 6
16 = VAN WHEEL BASE 6

ENGINE

EX8 = 2.7L I5 Turbo Diesel Engine
EX9 = 2.7L I5 Mercedes-Benz TD Engine

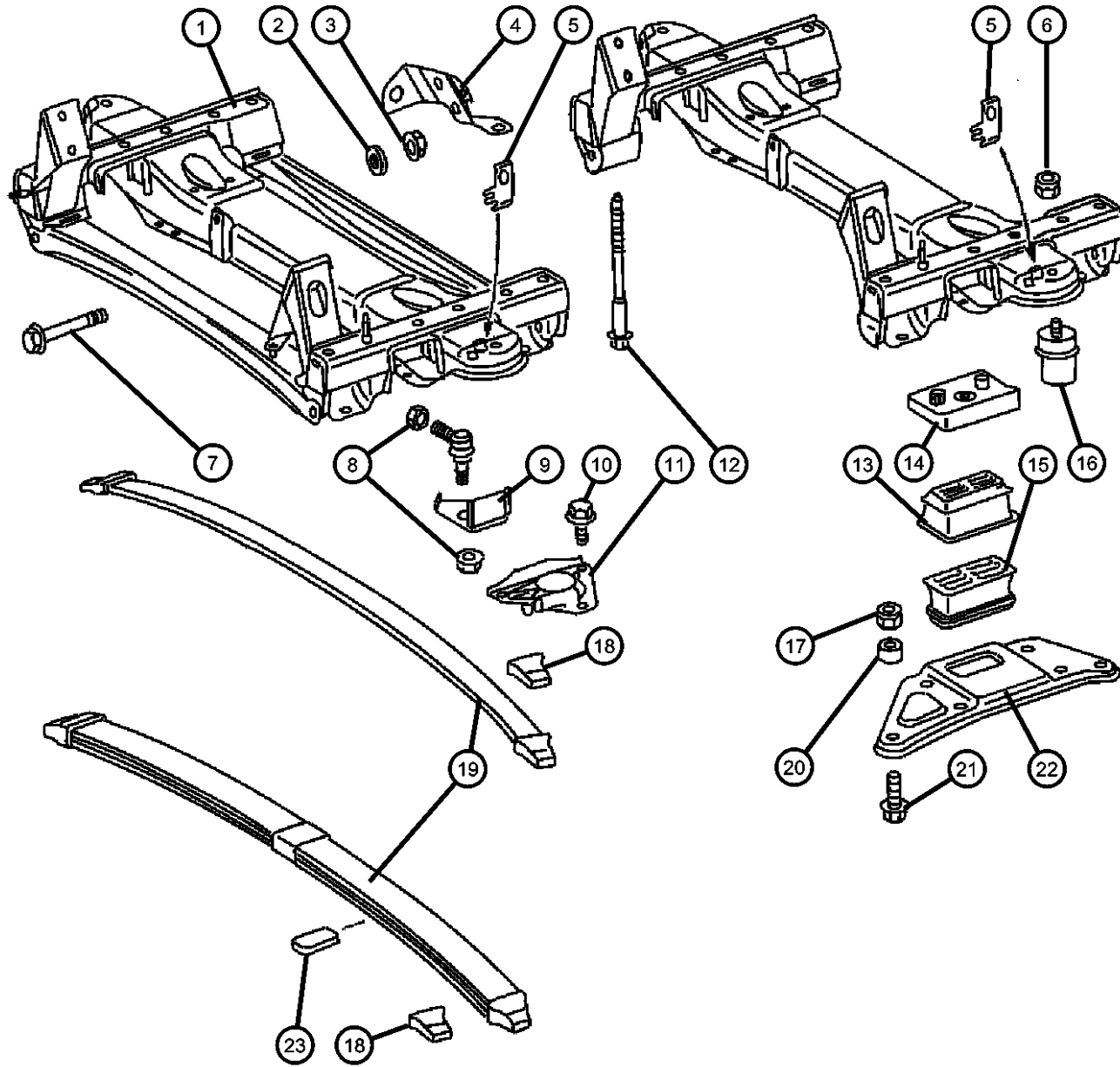
TRANSMISSION

DGJ = 5-Speed Automatic MB Transmission
DGZ = 4-Spd. Automatic MT643 Transmission

AR = use ase required - = Non illustrated part

2006 VA

Front Spring
Figure 2-140



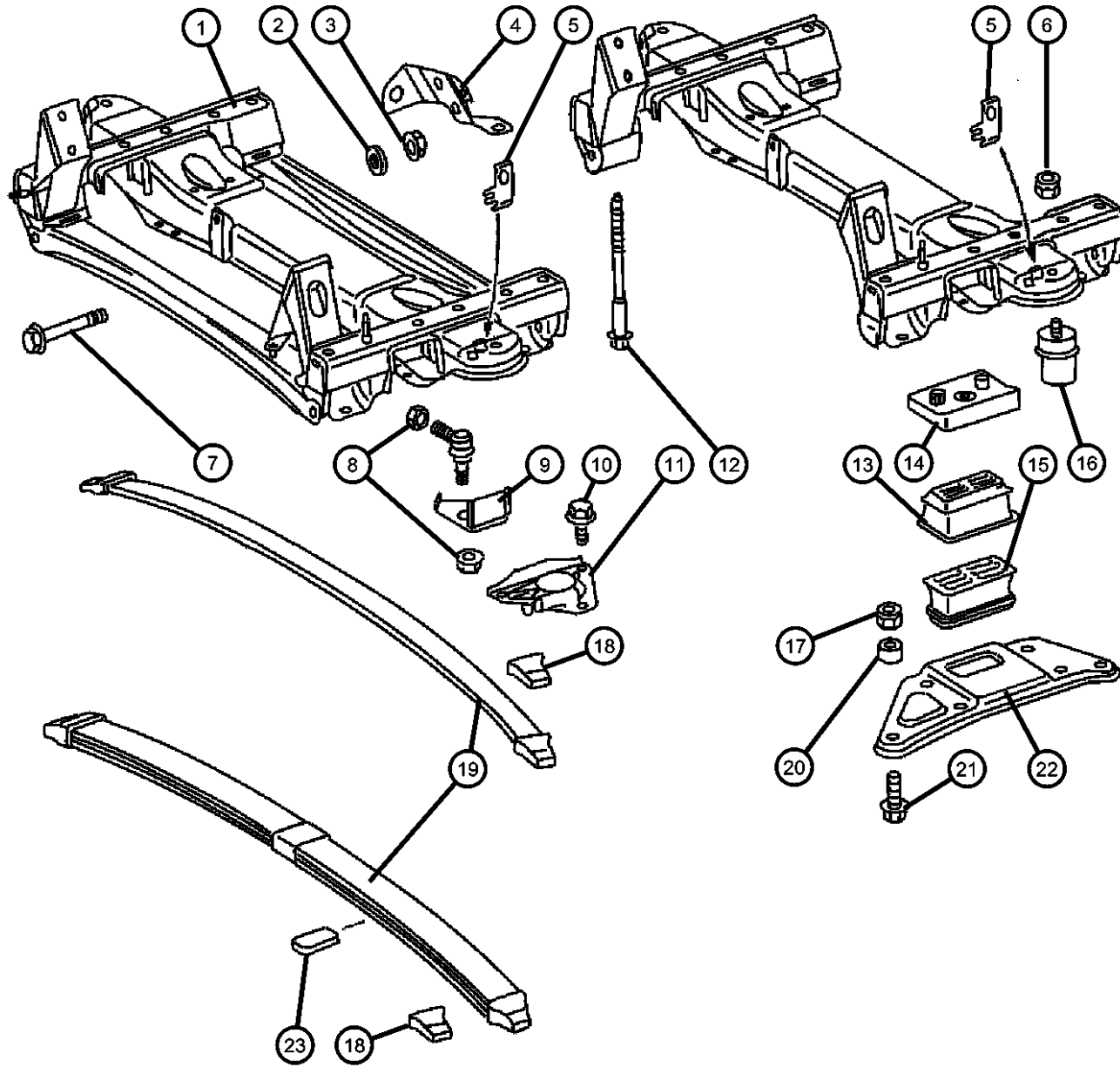
ITEM	PART NUMBER	QTY	LINE	SERIES	BODY	ENGINE	TRANS	TRIM	DESCRIPTION
		8	3, 7	L	12, 15, 16				ST
13									SEAT, Spring
	05139190AB	2							To Frame with SV#500323/03
	05139558AA	2							To Frame with SV#500323/02
14									SHIM, Spring Seat
	05139552AA	1							Left
	05139554AA	1							Right
15									SEAT, Spring
	05139188AA	1							Left
	05139189AA	1							Right
16	05139555AA	2							BUMPER, Suspension Jounce
17									NUT
	06104717AA	8	2, 6	L	01, 02, 06				M10x1.5
		8	2, 6	L	11, 12, 14, 15, 16				M10x1.5
		8	2, 6	L	51, 52, 54, 55, 56				M10x1.5
		8	3, 7	L	02, 06				M10x1.5
		8	3, 7	L	12, 15, 16				M10x1.5
	06104718AA	8	2, 6	L	01, 02, 06				M12x1.5
		8	2, 6	L	11, 12, 14, 15, 16				M12x1.5
		8	2, 6	L	51, 52, 54, 55, 56				M12x1.5
		8	3, 7	L	02, 06				M12x1.5
		8	3, 7	L	12, 15, 16				M12x1.5
18	05139556AA	2							SEAT, Spring
19	05139112AA	1							SPRING, Front Leaf
20	05139737AA	4							BUSHING, Spring

SPRINTER (VA)

SERIES	LINE	BODY	ENGINE	TRANSMISSION
L = LOWLINE	3 = HD DODGE 2WD 8 = HD DODGE 4WD 6 = Lt. Duty DODGE 4WD 2 = Med. Duty DODGE 2WD 7 = Med. Duty DODGE 4WD 4 = TRUCK	01 = CHASSIS FORWARD CONTROL W.B.1 02 = CAB CHASSIS WHEEL BASE 2 06 = CAB CHASSIS WHEEL BASE 6 11 = VAN WHEEL BASE 1 12 = VAN WHEEL BASE 2 51 = WAGON WHEEL BASE 1 52 = WAGON WHEEL BASE 2 14 = VAN WHEEL BASE 4 15 = VAN WHEEL BASE 5 54 = WAGON WHEEL BASE 4 55 = WAGON WHEEL BASE 5 56 = WAGON WHEEL BASE 6 16 = VAN WHEEL BASE 6	EX8 = 2.7L I5 Turbo Diesel Engine EX9 = 2.7L I5 Mercedes-Benz TD Engine	DGJ = 5-Speed Automatic MB Transmission DGZ = 4-Spd. Automatic MT643 Transmission

AR = use ase required - = Non illustrated part

Front Spring
Figure 2-140



ITEM	PART NUMBER	QTY	LINE	SERIES	BODY	ENGINE	TRANS	TRIM	DESCRIPTION
21	06104233AA	4							BOLT, Hex Head
22	05139186AA	1							PLATE, Suspension Left
	05139187AA	1							Right
23	05139187AA	1							SHIM, (NOT SERVICED)

SPRINTER (VA)

SERIES

L = LOWLINE

LINE

3 = HD DODGE 2WD
 8 = HD DODGE 4WD
 6 = Lt. Duty DODGE 4WD
 2 = Med. Duty DODGE 2WD
 7 = Med. Duty DODGE 4WD
 4 = TRUCK

BODY

01 = CHASSIS FORWARD CONTROL W.B.1
 02 = CAB CHASSIS WHEEL BASE 2
 06 = CAB CHASSIS WHEEL BASE 6
 11 = VAN WHEEL BASE 1
 12 = VAN WHEEL BASE 2
 51 = WAGON WHEEL BASE 1
 52 = WAGON WHEEL BASE 2
 14 = VAN WHEEL BASE 4
 15 = VAN WHEEL BASE 5
 54 = WAGON WHEEL BASE 4
 55 = WAGON WHEEL BASE 5
 56 = WAGON WHEEL BASE 6
 16 = VAN WHEEL BASE 6

ENGINE

EX8 = 2.7L I5 Turbo Diesel Engine
 EX9 = 2.7L I5 Mercedes-Benz TD Engine

TRANSMISSION

DGJ = 5-Speed Automatic MB Transmission
 DGZ = 4-Spd. Automatic MT643 Transmission

AR = use ase required - = Non illustrated part

Group - 3

Rear Axle

Group - 3 Rear Axle

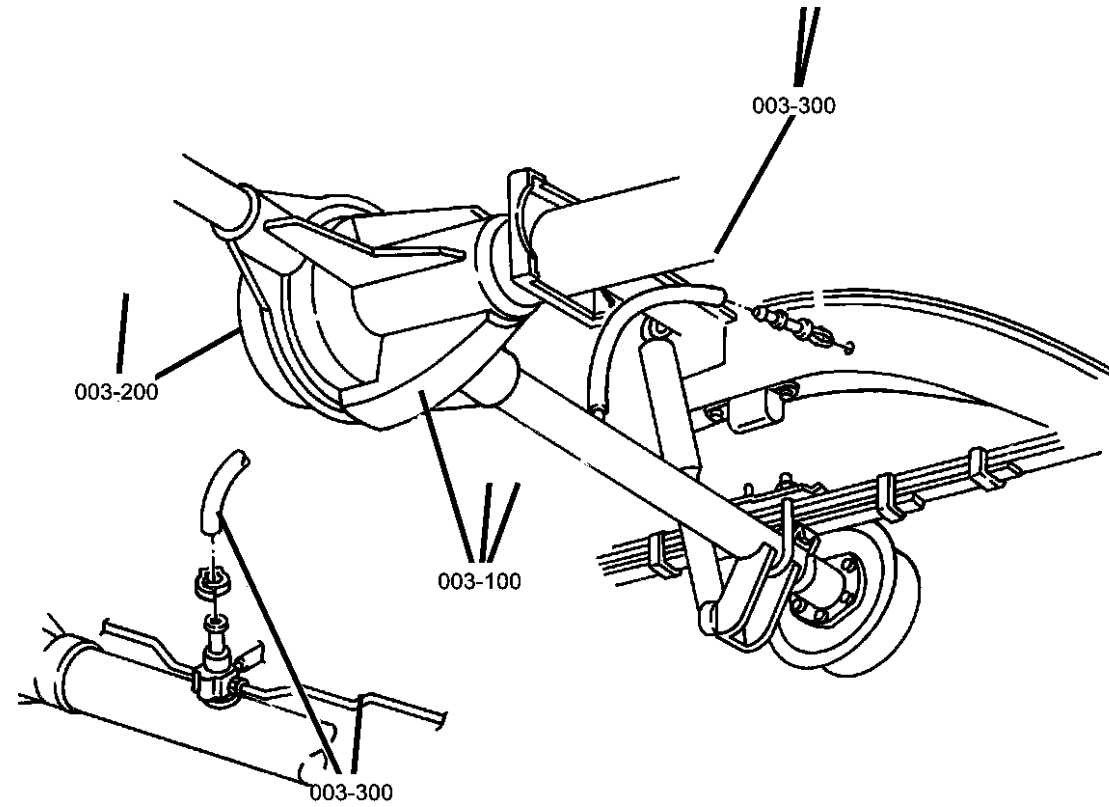


Illustration Title

Group-Fig. No.

Rear Axle

Differential Assembly,Rear Fig. 3 - 110

Differential and Housing

Internal Differential Parts,Rear Fig. 3 - 210

Differential Housing,Rear Fig. 3 - 220

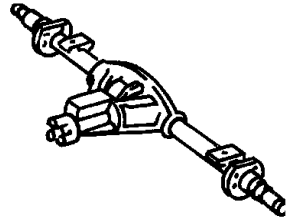
Axle Shaft and Wheel Bearings,Single Rear Wheels Fig. 3 - 230

Axle Shaft and Wheel Bearings,Dual Rear Wheels Fig. 3 - 240

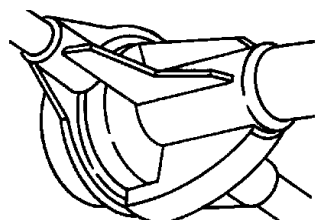
Rear Axle Vent

Vent,Rear Axle Fig. 3 - 310

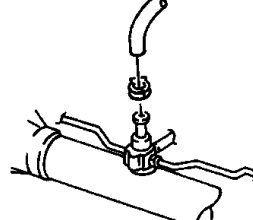
003-100
Rear Axle



003-200
Differential and Housing



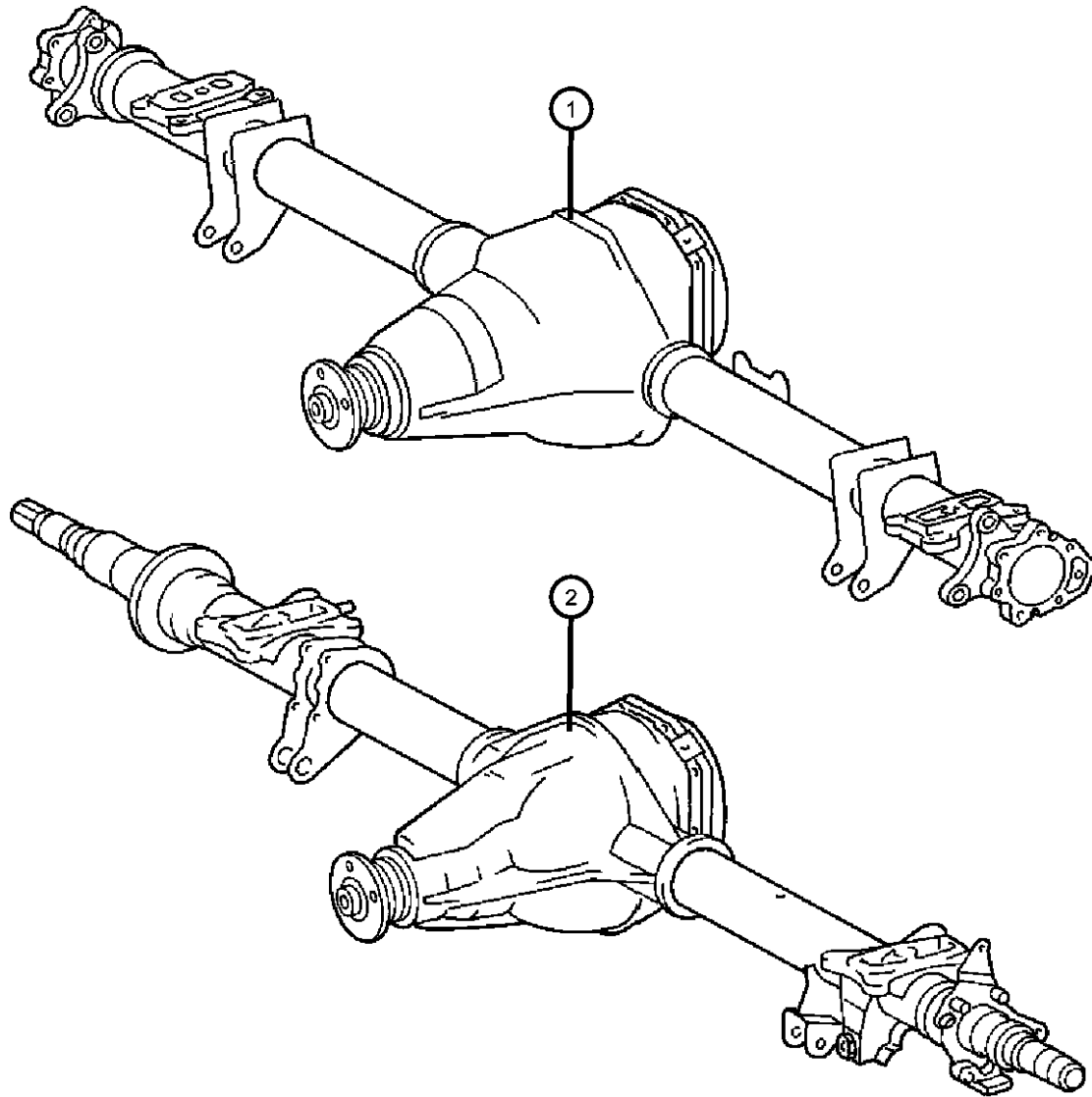
003-300
Rear Axle Vent



Differential Assembly,Rear
Figure 3-110

ITEM	PART NUMBER	QTY	LINE	SERIES	BODY	ENGINE	TRANS	TRIM	DESCRIPTION
------	-------------	-----	------	--------	------	--------	-------	------	-------------

Note: Sales Codes:
 DRW means Dual Rear Wheels
 SRW means Single Rear Wheels
 [BGK]=4-WHEEL ANTI-LOCK BRAKES
 [DME]=Axle Ratio - 3.72
 [DMF]=Axle Ratio - 4.11
 [4JR]=Dual Rear Wheel Chassis With/16" TIRES



1	05137591AA	1	2, 6						AXLE, Service Rear [DMF + BGK] SRW
	05136033AA								Mopar SAE 90 Gear Lube Quart for Sprinter Axles
	05137755AA	1	2, 6	L					[DME + BGK] SRW
	05136033AA								Mopar SAE 90 Gear Lube Quart for Sprinter Axles
2	05140855AB	1	3, 7	L	02, 06				AXLE, Service Rear [DMF,4JR] With 16 Inch DRW
		1	3, 7	L	12, 15, 16				[DMF,4JR] With 16 Inch DRW
	05140856AB	1	3, 7	L	02, 06				[DME,4JR] With 16 Inch DRW
	05136033AA								Mopar SAE 90 Gear Lube Quart for Sprinter Axles
		1	3, 7	L	12, 15, 16				[DME,4JR] With 16 Inch DRW
	05136033AA								Mopar SAE 90 Gear Lube Quart for Sprinter Axles
	05135823AA	1	3, 7	L	12, 15, 16				[DME] With 15 Inch DRW
	05136033AA								Mopar SAE 90 Gear Lube Quart for Sprinter Axles
	05135928AA	1	3, 7	L					[DMF] With 15 Inch DRW
	05136033AA								Mopar SAE 90 Gear Lube Quart for Sprinter Axles

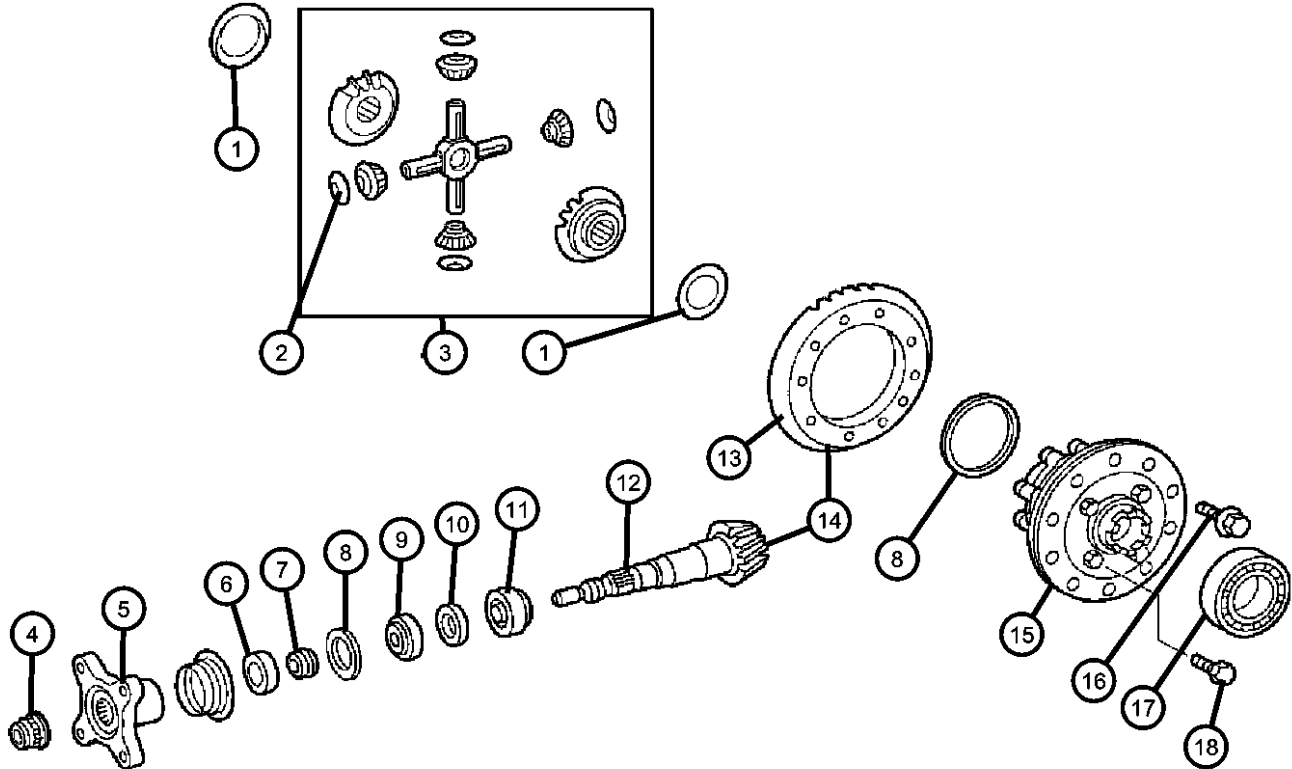
SPRINTER (VA)

SERIES	LINE	BODY	ENGINE	TRANSMISSION
L = LOWLINE	3 = HD DODGE 2WD 8 = HD DODGE 4WD 6 = Lt. Duty DODGE 4WD 2 = Med. Duty DODGE 2WD 7 = Med. Duty DODGE 4WD 4 = TRUCK	01 = CHASSIS FORWARD CONTROL W.B.1 02 = CAB CHASSIS WHEEL BASE 2 06 = CAB CHASSIS WHEEL BASE 6 11 = VAN WHEEL BASE 1 12 = VAN WHEEL BASE 2 51 = WAGON WHEEL BASE 1 52 = WAGON WHEEL BASE 2 14 = VAN WHEEL BASE 4 15 = VAN WHEEL BASE 5 54 = WAGON WHEEL BASE 4 55 = WAGON WHEEL BASE 5 56 = WAGON WHEEL BASE 6 16 = VAN WHEEL BASE 6	EX8 = 2.7L I5 Turbo Diesel Engine EX9 = 2.7L I5 Mercedes-Benz TD Engine	DGJ = 5-Speed Automatic MB Transmission DGZ = 4-Spd. Automatic MT643 Transmission

AR = use ase required - = Non illustrated part

2006 VA

Internal Differential Parts,Rear
Figure 3-210

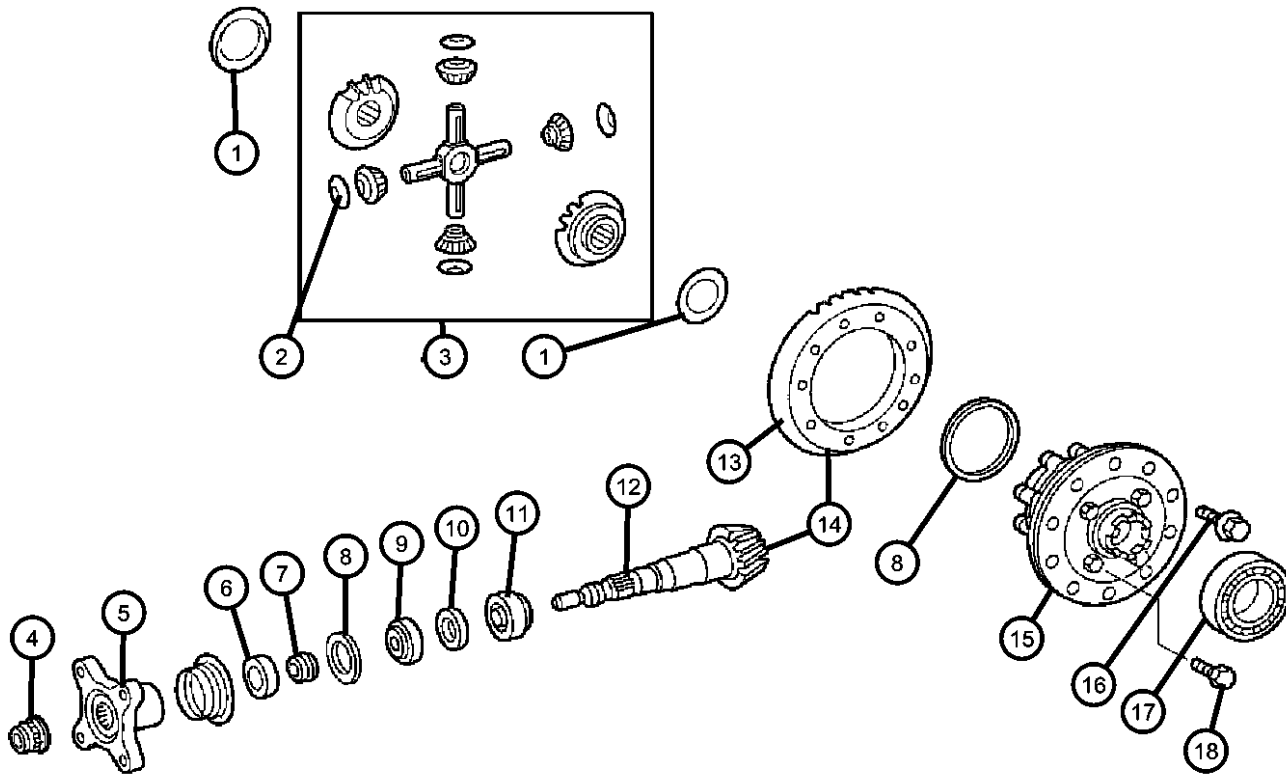


ITEM	PART NUMBER	QTY	LINE	SERIES	BODY	ENGINE	TRANS	TRIM	DESCRIPTION
Note:Sales Codes [DME]=3.72 Axle Ratio [DMF]=4.10 Axle Ratio									
1									WASHER, Side Gear Thrust
	05136819AA	AR	2, 3, 6, 7	L					[1.40mm Brass]
	05136820AA	AR	3, 7	L					[1.40mm Steel]
	05136822AA	AR	3, 7	L					[1.50mm Steel]
	05136823AA	AR	3, 7	L					[1.50mm Brass]
	05136826AA	AR	3, 7	L					[1.60mm Steel]
	05136792AA	AR	3, 7	L					[1.30mm Steel]
	05136810AA	AR	3, 7	L					[1.30mm Brass]
	05136827AA	AR	3, 7	L					[1.60mm Brass]
	05136829AA	AR	7, 3	L					[1.70mm Steel]
	05136830AA	AR	3, 7	L					[1.70mm Brass]
	05136834AA	AR	3, 7	L					[1.80mm Steel]
	05136835AA	AR	3, 7	L					[1.80mm Brass]
	05136841AA	AR	3, 7	L					[1.90mm Steel]
2									WASHER, Pinion Gear
	05136148AA	4	3, 7						Thrust
		4	2, 6						Thrust
3	05137602AA	1	2, 3, 6, 7						GEAR PACKAGE, Differential
4									NUT, Pinion Yoke
	05103957AA	1							Up To Axle L538154 or X004694
	05103958AA	1							From Axle L538155 or X004695
5	05134541AA	1			L				FLANGE, Driveshaft Yoke
6	05103966AA	1			L				RING, Pinion flange
7	68000011AA	1			L				SPACER, Drive Pinion Bearing
8									SHIM, Axle

SPRINTER (VA)				
SERIES	LINE	BODY	ENGINE	TRANSMISSION
L = LOWLINE	3 = HD DODGE 2WD 8 = HD DODGE 4WD 6 = Lt. Duty DODGE 4WD 2 = Med. Duty DODGE 2WD 7 = Med. Duty DODGE 4WD 4 = TRUCK	01 = CHASSIS FORWARD CONTROL W.B.1 02 = CAB CHASSIS WHEEL BASE 2 06 = CAB CHASSIS WHEEL BASE 6 11 = VAN WHEEL BASE 1 12 = VAN WHEEL BASE 2 51 = WAGON WHEEL BASE 1 52 = WAGON WHEEL BASE 2 14 = VAN WHEEL BASE 4 15 = VAN WHEEL BASE 5 54 = WAGON WHEEL BASE 4 55 = WAGON WHEEL BASE 5 56 = WAGON WHEEL BASE 6 16 = VAN WHEEL BASE 6	EX8 = 2.7L I5 Turbo Diesel Engine EX9 = 2.7L I5 Mercedes-Benz TD Engine	DGJ = 5-Speed Automatic MB Transmission DGZ = 4-Spd. Automatic MT643 Transmission

AR = use ase required - = Non illustrated part

Internal Differential Parts,Rear
Figure 3-210



ITEM	PART NUMBER	QTY	LINE	SERIES	BODY	ENGINE	TRANS	TRIM	DESCRIPTION
	05134415AA	1	2, 3, 6, 7						[4.90mm]
	05134416AA	1	2, 3, 6, 7						[4.92mm]
	05134417AA	1	2, 3, 6, 7						[4.94mm]
	05134422AB	1	2, 3, 6, 7						[5.06mm]
	05134423AA	1	2, 3, 6, 7						[5.12mm]
	05134425AA	1	2, 3, 6, 7		L				[5.20mm]
	05134418AB	1	2, 3, 6, 7						[4.96mm]
	05134419AA	1	2, 3, 6, 7						[5.00mm]
	05134420AA	1	3, 6, 7, 2						[5.02mm]
	05134421AA	1	2, 3, 6, 7						[5.04mm]
	05134435AA	1	2, 3, 6, 7		L				[5.78mm]
	05134436AA	1	6, 7, 2, 3		L				[5.80mm]
	05134437AA	1	2, 3, 6, 7		L				[5.84mm]
	05134438AA	1	2, 3, 6, 7		L				[5.88mm]
	05134439AA	1	2, 3, 6, 7		L				[5.92mm]
	05134427AA	1	2, 3, 6, 7		L				[5.24mm]
	05134428AA	1	2, 3, 6, 7		L				[5.28mm]
	05134429AA	1	2, 3, 6, 7		L				[5.32mm]
	05134430AA	1	2, 3, 6, 7		L				[5.36mm]
	05134431AA	1	2, 3, 6, 7		L				[5.40mm]
	05134432AA	1	2, 3, 6, 7		L				[5.50mm]
	05134433AA	1	2, 3, 6, 7		L				[5.60mm]
	05134434AA	1	2, 3, 6, 7		L				[5.72mm]
	05134440AA	1	2, 3, 6, 7						[5.96mm]
	05134441AA	1	2, 3, 6, 7		L				[6.00mm]
	05134466AB	1	2, 3, 6, 7		L				[6.10mm]
	05134467AA	1	2, 3, 6, 7		L				[6.20mm]

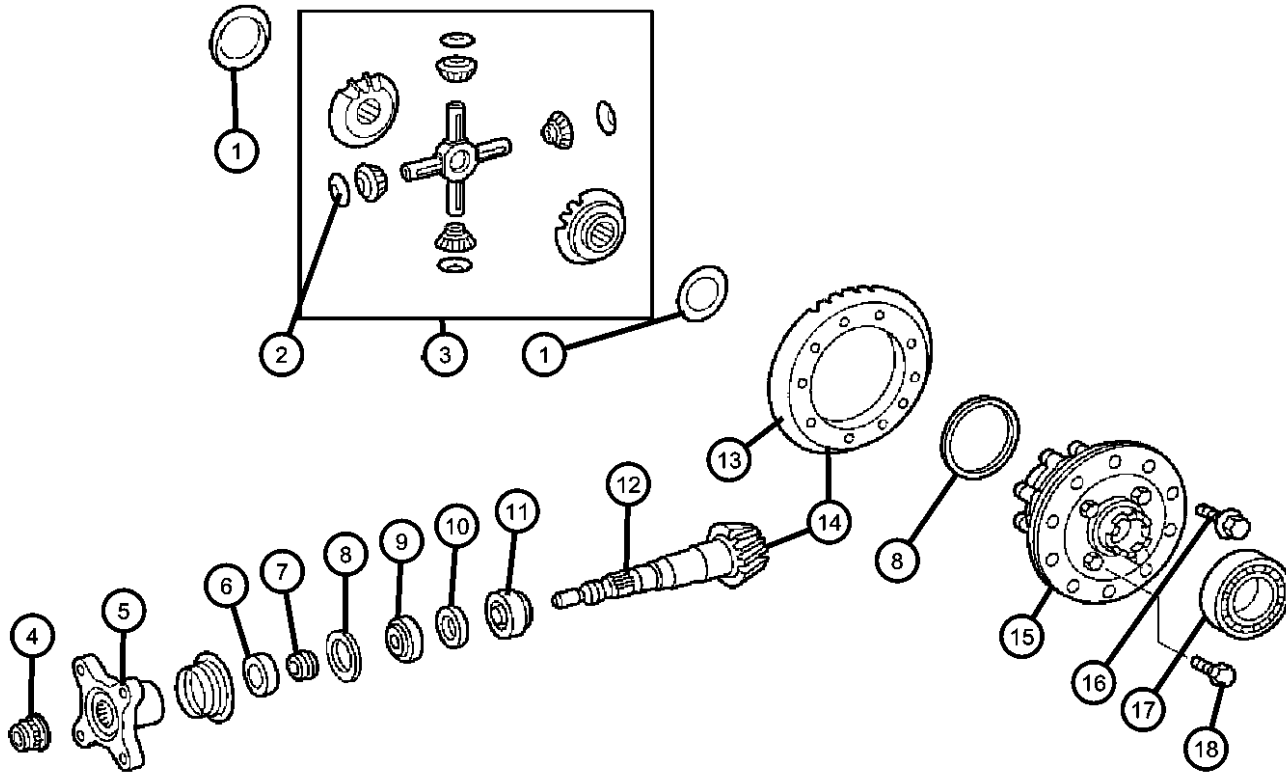
SPRINTER (VA)

SERIES	LINE	BODY	ENGINE	TRANSMISSION
L = LOWLINE	3 = HD DODGE 2WD 8 = HD DODGE 4WD 6 = Lt. Duty DODGE 4WD 2 = Med. Duty DODGE 2WD 7 = Med. Duty DODGE 4WD 4 = TRUCK	01 = CHASSIS FORWARD CONTROL W.B.1 02 = CAB CHASSIS WHEEL BASE 2 06 = CAB CHASSIS WHEEL BASE 6 11 = VAN WHEEL BASE 1 12 = VAN WHEEL BASE 2 51 = WAGON WHEEL BASE 1 52 = WAGON WHEEL BASE 2 14 = VAN WHEEL BASE 4 15 = VAN WHEEL BASE 5 54 = WAGON WHEEL BASE 4 55 = WAGON WHEEL BASE 5 56 = WAGON WHEEL BASE 6 16 = VAN WHEEL BASE 6	EX8 = 2.7L I5 Turbo Diesel Engine EX9 = 2.7L I5 Mercedes-Benz TD Engine	DGJ = 5-Speed Automatic MB Transmission DGZ = 4-Spd. Automatic MT643 Transmission

AR = use ase required - = Non illustrated part

Internal Differential Parts,Rear
Figure 3-210

ITEM	PART NUMBER	QTY	LINE	SERIES	BODY	ENGINE	TRANS	TRIM	DESCRIPTION
	05134468AB	1	2, 3, 6, 7	L					[6.30mm]
	05134469AA	1	2, 3, 6, 7	L					[6.38mm]
9	05136772AA	1		L					BEARINGFront
10	05103900AA	1		L					SEAL, Drive Pinion
11	05134442AA	1		L					BEARING, Drive PinionRear
12	05136773AA	1	2, 3, 6, 7	L					PINION, Differential, [DME]
13	05136774AA	1		L					GEAR, Differential Ring, [DME]
14	05136156AA	1	2, 3, 6, 7	L	11, 12, 14, 15, 16				[DMF]
		1	2, 3, 6, 7	L	51, 52, 54, 55, 56				[DMF]
15	05136172AA	1	3, 7		11, 12, 14, 15, 16				CASE, Differential [DMF]
	05137618AA	1	2, 3, 6, 7						[DME]
16	05103849AA	10	2, 3, 6, 7	L					BOLT, Ring Gear, Mounting
17	05097700AA	1	2, 3, 6, 7						BEARING, Differential
18	05136178AA	8							SCREW, Differential, Differential Case Half, Mounting

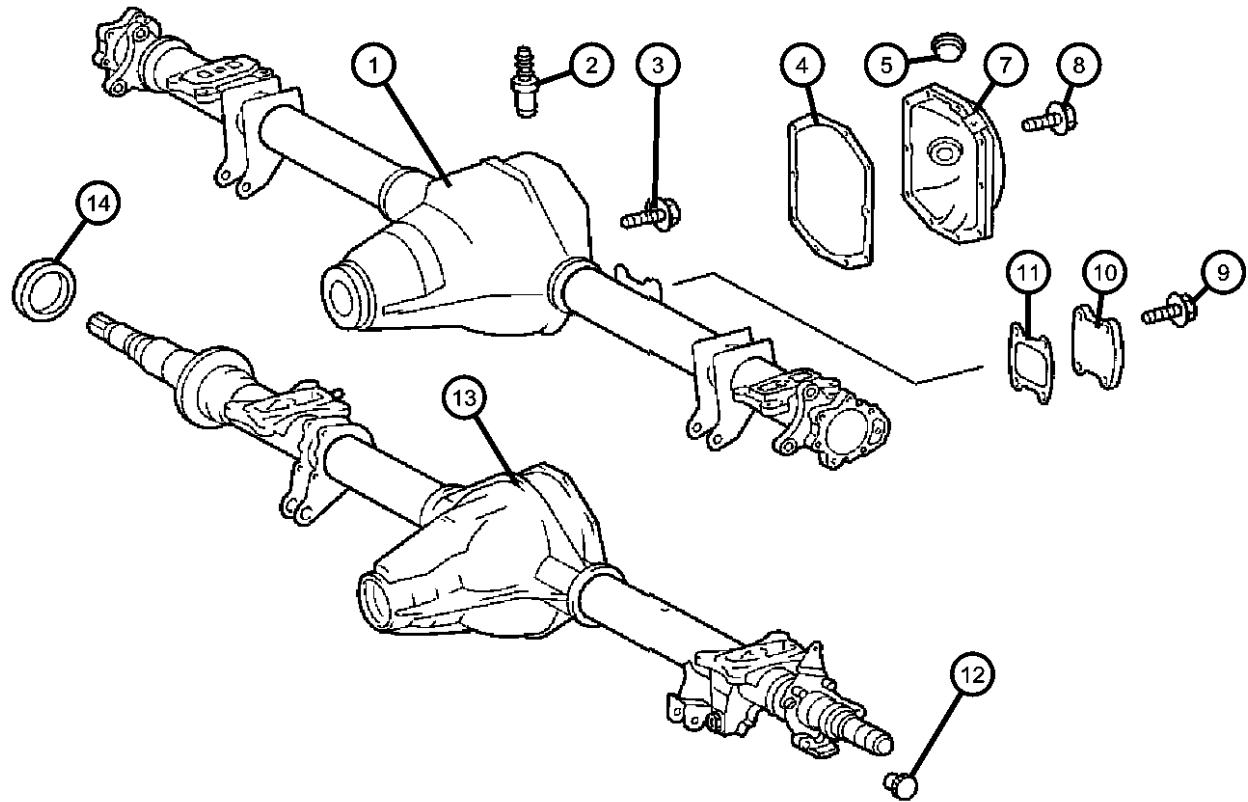


SPRINTER (VA)

SERIES	LINE	BODY	ENGINE	TRANSMISSION
L = LOWLINE	3 = HD DODGE 2WD 8 = HD DODGE 4WD 6 = Lt. Duty DODGE 4WD 2 = Med. Duty DODGE 2WD 7 = Med. Duty DODGE 4WD 4 = TRUCK	01 = CHASSIS FORWARD CONTROL W.B.1 02 = CAB CHASSIS WHEEL BASE 2 06 = CAB CHASSIS WHEEL BASE 6 11 = VAN WHEEL BASE 1 12 = VAN WHEEL BASE 2 51 = WAGON WHEEL BASE 1 52 = WAGON WHEEL BASE 2 14 = VAN WHEEL BASE 4 15 = VAN WHEEL BASE 5 54 = WAGON WHEEL BASE 4 55 = WAGON WHEEL BASE 5 56 = WAGON WHEEL BASE 6 16 = VAN WHEEL BASE 6	EX8 = 2.7L I5 Turbo Diesel Engine EX9 = 2.7L I5 Mercedes-Benz TD Engine	DGJ = 5-Speed Automatic MB Transmission DGZ = 4-Spd. Automatic MT643 Transmission

AR = use ase required - = Non illustrated part

**Differential Housing,Rear
Figure 3-220**



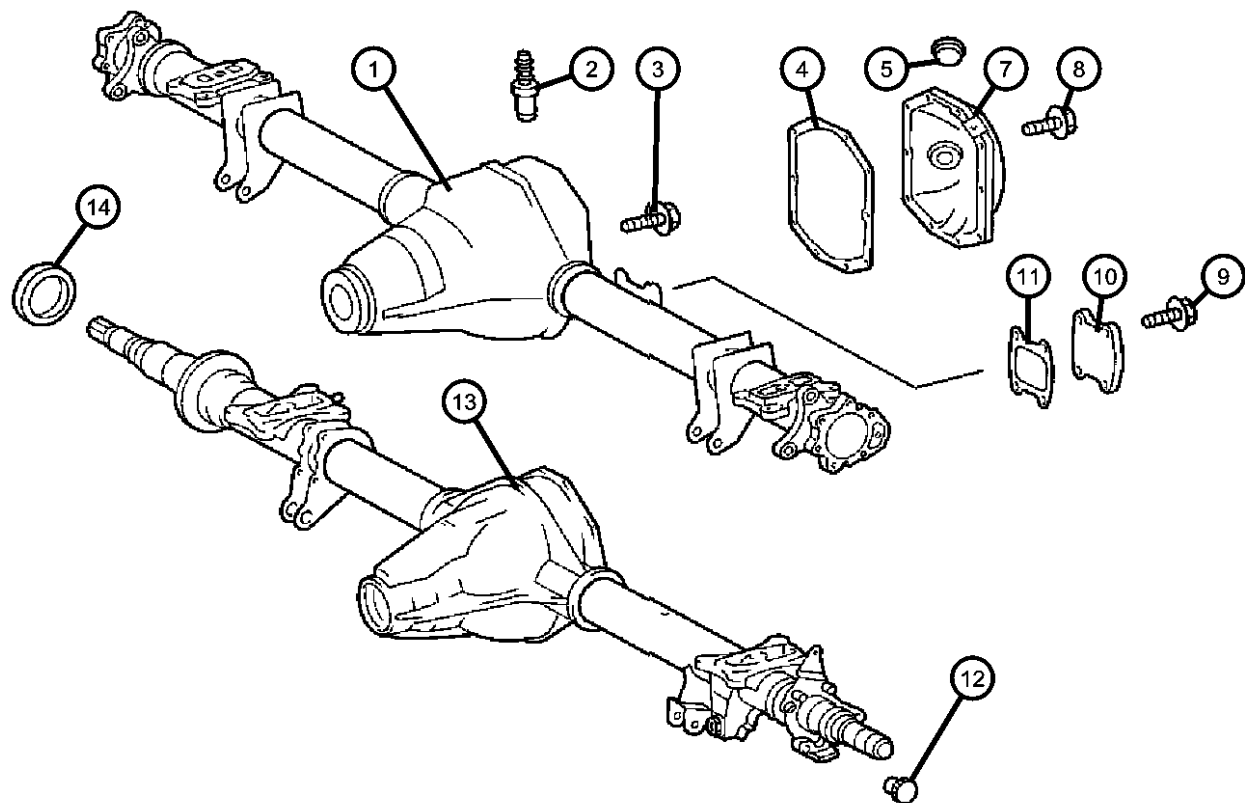
ITEM	PART NUMBER	QTY	LINE	SERIES	BODY	ENGINE	TRANS	TRIM	DESCRIPTION
NOTE:Axle Housing Only Serviced With Service Axle Only.									
1	05136178AA	8							HOUSING, Rear Axle, Order Axle Assembly / See Note, (NOT SERVICED)
2	05103948AA	1	3, 7	L	12, 15, 16				VENT, Axle
		1	2, 6	L	11, 12, 14, 15, 16				
		1	2, 6	L	51, 52, 54, 55, 56				
		1	2, 6	L	01, 02, 06				
		1	3, 7	L	02, 06				
3	06104225AA	4	3, 7	L	12, 15, 16				BOLT, Hex Head
		4	2, 6	L	11, 12, 14, 15, 16				Carrier Bearing Cap, Mounting
		4	2, 6	L	51, 52, 54, 55, 56				Carrier Bearing Cap, Mounting
		4	2, 6	L	01, 02, 06				Carrier Bearing Cap, Mounting
		4	3, 7	L	02, 06				Carrier Bearing Cap, Mounting
4	05103574AA	1	2, 3, 6, 7						GASKET, Differential CoverMounting
5	05097712AA	1	2, 3, 6, 7						PLUG, Oil Drain
-6	05134372AA	1	2, 3, 6, 7						GASKET, Oil Drain Plug, Mounting
7	05103953AA	1	3, 7	L	12, 15, 16				COVER, Differential
		1	2, 6	L	11, 12, 14, 15, 16				
		1	2, 6	L	51, 52, 54, 55, 56				
		1	2, 6	L	01, 02, 06				
		1	3, 7	L	02, 06				

SPRINTER (VA)

SERIES	LINE	BODY	ENGINE	TRANSMISSION
L = LOWLINE	3 = HD DODGE 2WD 8 = HD DODGE 4WD 6 = Lt. Duty DODGE 4WD 2 = Med. Duty DODGE 2WD 7 = Med. Duty DODGE 4WD 4 = TRUCK	01 = CHASSIS FORWARD CONTROL W.B.1 02 = CAB CHASSIS WHEEL BASE 2 06 = CAB CHASSIS WHEEL BASE 6 11 = VAN WHEEL BASE 1 12 = VAN WHEEL BASE 2 51 = WAGON WHEEL BASE 1 52 = WAGON WHEEL BASE 2 14 = VAN WHEEL BASE 4 15 = VAN WHEEL BASE 5 54 = WAGON WHEEL BASE 4 55 = WAGON WHEEL BASE 5 56 = WAGON WHEEL BASE 6 16 = VAN WHEEL BASE 6	EX8 = 2.7L I5 Turbo Diesel Engine EX9 = 2.7L I5 Mercedes-Benz TD Engine	DGJ = 5-Speed Automatic MB Transmission DGZ = 4-Spd. Automatic MT643 Transmission

AR = use ase required - = Non illustrated part

Differential Housing,Rear
Figure 3-220



ITEM	PART NUMBER	QTY	LINE	SERIES	BODY	ENGINE	TRANS	TRIM	DESCRIPTION
8	05134371AA	10	2, 3, 6, 7						SCREW AND WASHER, Differential Cover, Mounting
9	06104195AA	4	2, 6	L	01, 02, 06				Axle Housing Cover, Mounting
		4	2, 6	L	11, 12, 14, 15, 16				Axle Housing Cover, Mounting
		4	2, 6	L	51, 52, 54, 55, 56				Axle Housing Cover, Mounting
10	05134668AA	1	2, 6	L	11, 12, 14, 15, 16				COVER Axle Housing
		1	2, 6	L	51, 52, 54, 55, 56				Axle Housing
		1	2, 6	L	01, 02, 06				Axle Housing
11	05134669AA	1	2, 6	L	11, 12, 14, 15, 16				GASKET Axle Housing Cover, Mounting
		1	2, 6	L	51, 52, 54, 55, 56				Axle Housing Cover, Mounting
		1	2, 6	L	01, 02, 06				Axle Housing Cover, Mounting
12	05133367AA	1	2, 6	L	01, 02, 06				PLUG To Lock Holes for ABS
		1	2, 6	L	11, 12, 14, 15, 16				To Lock Holes for ABS
		1	2, 6	L	51, 52, 54, 55, 56				To Lock Holes for ABS
		1	3, 7	L	02, 06				To Lock Holes for ABS
		1	3, 7	L	12, 15, 16				To Lock Holes for ABS
13		1							HOUSING, Rear Axle, Order Axle Assembly / See Note, (NOT SERVICED),
14	05104027AA	1	3, 7	L	12, 15, 16				THRUST RING Right

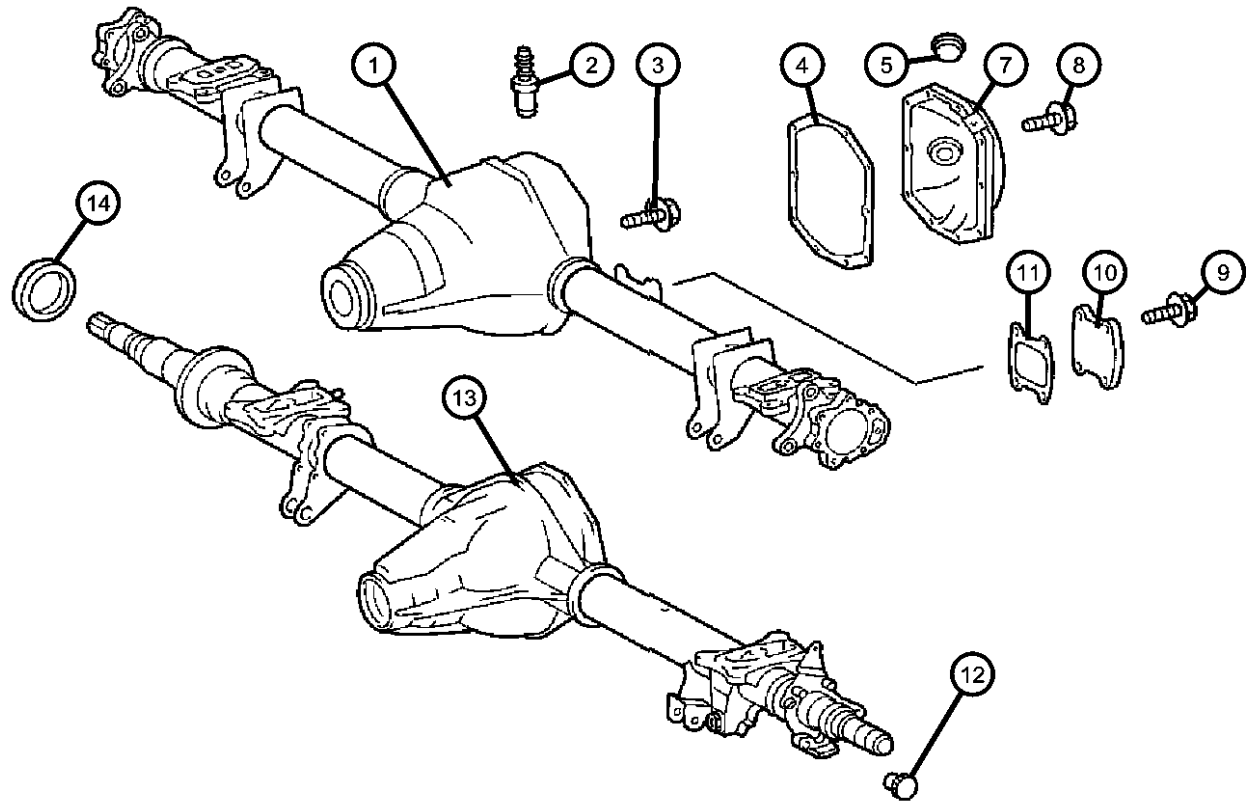
SPRINTER (VA)

SERIES	LINE	BODY	ENGINE	TRANSMISSION
L = LOWLINE	3 = HD DODGE 2WD 8 = HD DODGE 4WD 6 = Lt. Duty DODGE 4WD 2 = Med. Duty DODGE 2WD 7 = Med. Duty DODGE 4WD 4 = TRUCK	01 = CHASSIS FORWARD CONTROL W.B.1 02 = CAB CHASSIS WHEEL BASE 2 06 = CAB CHASSIS WHEEL BASE 6 11 = VAN WHEEL BASE 1 12 = VAN WHEEL BASE 2 51 = WAGON WHEEL BASE 1 52 = WAGON WHEEL BASE 2 14 = VAN WHEEL BASE 4 15 = VAN WHEEL BASE 5 54 = WAGON WHEEL BASE 4 55 = WAGON WHEEL BASE 5 56 = WAGON WHEEL BASE 6 16 = VAN WHEEL BASE 6	EX8 = 2.7L I5 Turbo Diesel Engine EX9 = 2.7L I5 Mercedes-Benz TD Engine	DGJ = 5-Speed Automatic MB Transmission DGZ = 4-Spd. Automatic MT643 Transmission

AR = use ase required - = Non illustrated part

Differential Housing,Rear
Figure 3-220

ITEM	PART NUMBER	QTY	LINE	SERIES	BODY	ENGINE	TRANS	TRIM	DESCRIPTION
		1	3, 7	L	02, 06				Right
	05134665AA	1	3, 7	L	12, 15, 16				Left
		1	3, 7	L	02, 06				Left



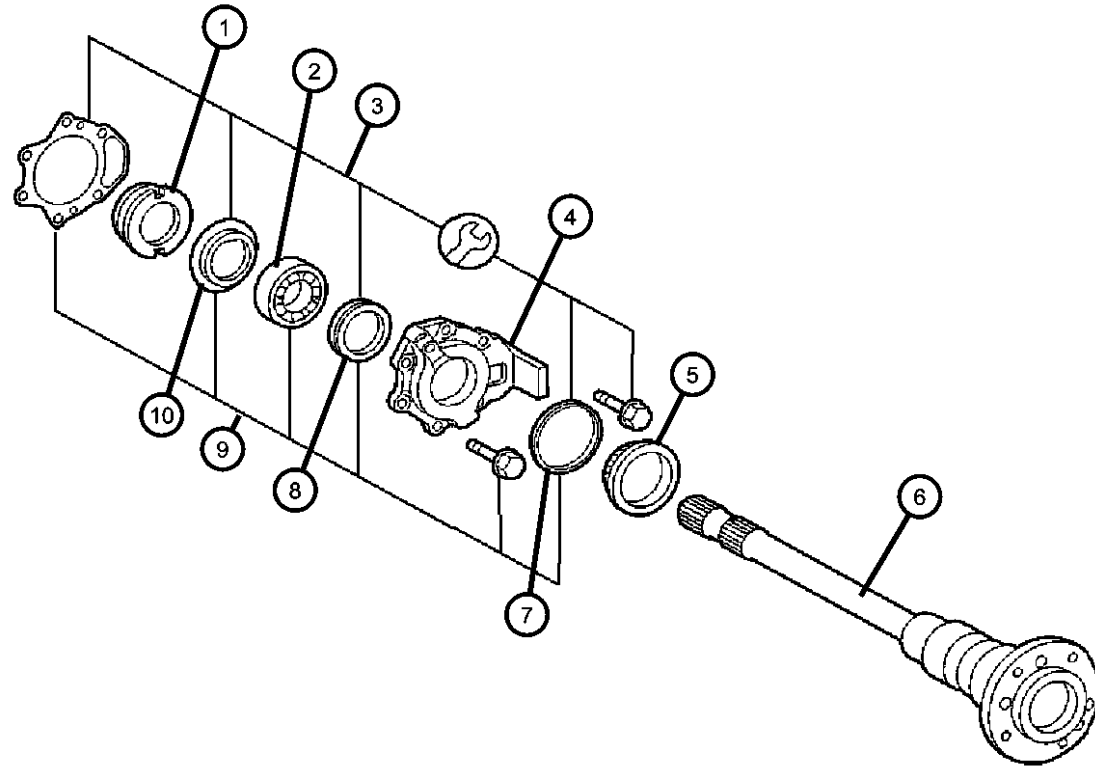
SPRINTER (VA)

SERIES	LINE	BODY	ENGINE	TRANSMISSION
L = LOWLINE	3 = HD DODGE 2WD 8 = HD DODGE 4WD 6 = Lt. Duty DODGE 4WD 2 = Med. Duty DODGE 2WD 7 = Med. Duty DODGE 4WD 4 = TRUCK	01 = CHASSIS FORWARD CONTROL W.B.1 02 = CAB CHASSIS WHEEL BASE 2 06 = CAB CHASSIS WHEEL BASE 6 11 = VAN WHEEL BASE 1 12 = VAN WHEEL BASE 2 51 = WAGON WHEEL BASE 1 52 = WAGON WHEEL BASE 2 14 = VAN WHEEL BASE 4 15 = VAN WHEEL BASE 5 54 = WAGON WHEEL BASE 4 55 = WAGON WHEEL BASE 5 56 = WAGON WHEEL BASE 6 16 = VAN WHEEL BASE 6	EX8 = 2.7L I5 Turbo Diesel Engine EX9 = 2.7L I5 Mercedes-Benz TD Engine	DGJ = 5-Speed Automatic MB Transmission DGZ = 4-Spd. Automatic MT643 Transmission

AR = use ase required - = Non illustrated part

Axle Shaft and Wheel Bearings, Single Rear Wheels
Figure 3-230

ITEM	PART NUMBER	QTY	LINE	SERIES	BODY	ENGINE	TRANS	TRIM	DESCRIPTION
1									NUT, Axle shaft
	05134634AA	1	2, 6	L					Right
	05134635AA	1	2, 6	L					Left
2	05103883AB	2	2, 6	L					BEARING, Wheel
3	05104559AA	2	2, 6	L					SEAL KIT, Axle shaft
4									COVER, Axle bearing
	05134638AA	1	2, 6	L					Right
	05134639AA	1	2, 6	L					Left
5	05134641AA	2	2, 6	L					TONE RING, Sensor
6									SHAFT, Axle
	05134660AA	1	2, 6	L					Right
	05134661AA	1	2, 6	L					Left
7	05104566AA	2	6, 2						SEAL, Rear Axle Flange
8	05139760AA	2	6, 2						SEAL, Rear Axle Flange
9	05103601AA	2	2, 6	L					BEARING KIT, Axle shaft
10	05139738AA	2	2, 6						LOCK, Hub Nut



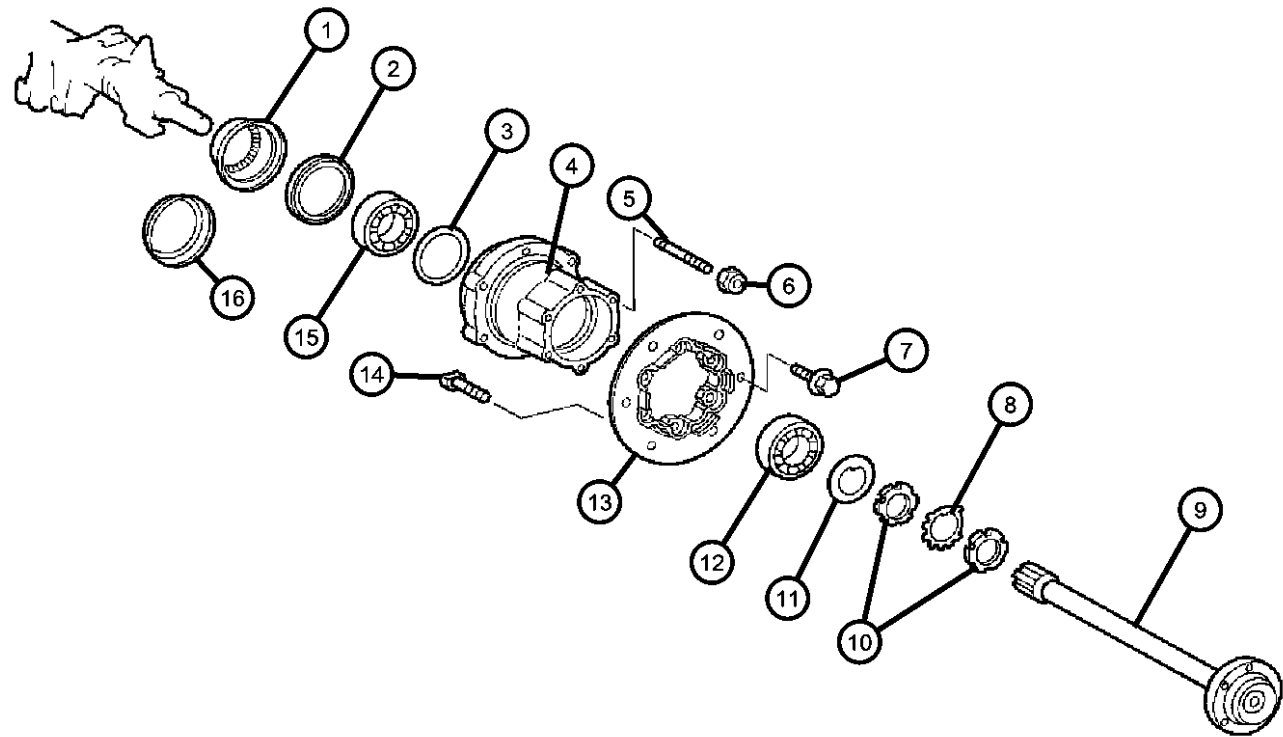
SPRINTER (VA)

SERIES	LINE	BODY	ENGINE	TRANSMISSION
L = LOWLINE	3 = HD DODGE 2WD 8 = HD DODGE 4WD 6 = Lt. Duty DODGE 4WD 2 = Med. Duty DODGE 2WD 7 = Med. Duty DODGE 4WD 4 = TRUCK	01 = CHASSIS FORWARD CONTROL W.B.1 02 = CAB CHASSIS WHEEL BASE 2 06 = CAB CHASSIS WHEEL BASE 6 11 = VAN WHEEL BASE 1 12 = VAN WHEEL BASE 2 51 = WAGON WHEEL BASE 1 52 = WAGON WHEEL BASE 2 14 = VAN WHEEL BASE 4 15 = VAN WHEEL BASE 5 54 = WAGON WHEEL BASE 4 55 = WAGON WHEEL BASE 5 56 = WAGON WHEEL BASE 6 16 = VAN WHEEL BASE 6	EX8 = 2.7L I5 Turbo Diesel Engine EX9 = 2.7L I5 Mercedes-Benz TD Engine	DGJ = 5-Speed Automatic MB Transmission DGZ = 4-Spd. Automatic MT643 Transmission

AR = use ase required - = Non illustrated part

2006 VA

Axle Shaft and Wheel Bearings, Dual Rear Wheels
Figure 3-240



ITEM	PART NUMBER	QTY	LINE	SERIES	BODY	ENGINE	TRANS	TRIM	DESCRIPTION
Note: Must get Special Version Number From Data Card:									
1	05161914AA	2	3, 7	L					TONE RING, Sensor, ABS
2	05103566AA	2	3, 7	L	12, 15, 16				SEAL, Wheel Bearing
3	05134706AA	2	3, 7	L					SPACER
4	05104580AA	2	3, 7	L					HUB, Wheel
5	05134714AA	12	3, 7	L					STUD, Hub, Axle, Mounting
6	05134715AA	12	3, 7	L					NUT, Hex Lock, Axle, Mounting
7	06104258AA	12	3, 7	L					SCREW, Hex Flange Head
8	05103578AA	2	3, 7	L					LOCK, Bearing Adjusting Nut
9	05166553AA	2	3, 7	L					SHAFT, Axle
10	05134720AA	2	3, 7	L					NUT, Bearing Adjusting
11	05134719AA	2	3, 7						SPACER
12	05103547AA	2	3, 7	L					BEARING, WheelOuter
13	05134718AB	2	3, 7	L					FLANGE, Axle Output
14									STUD, Wheel
	04862627AA	12	3, 7	L					With Special Version Code - [504019 / 78] See Note
	05103938AA	12	3, 7	L					With Special Version Code - [504019 / 01-02] See Note
15	05103562AA	2	3, 7	L					BEARING, WheelInner
16	05134709AA	2	3, 7	L					SLINGER, Oil

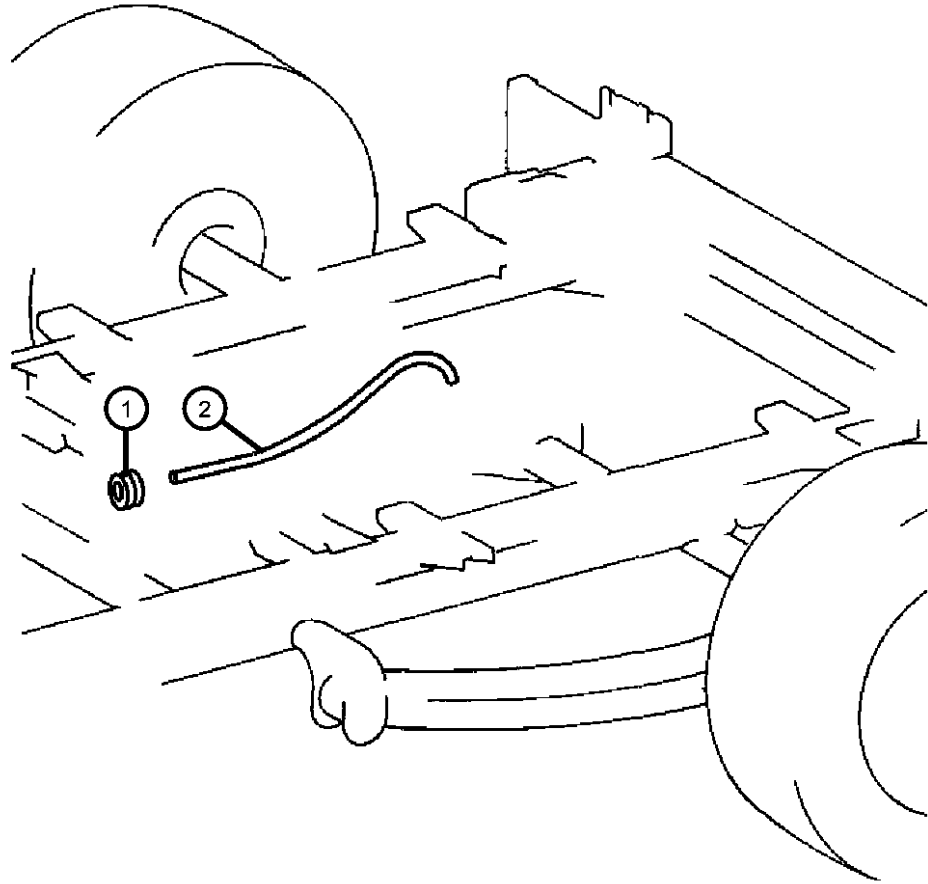
SPRINTER (VA)

SERIES	LINE	BODY	ENGINE	TRANSMISSION
L = LOWLINE	3 = HD DODGE 2WD 8 = HD DODGE 4WD 6 = Lt. Duty DODGE 4WD 2 = Med. Duty DODGE 2WD 7 = Med. Duty DODGE 4WD 4 = TRUCK	01 = CHASSIS FORWARD CONTROL W.B.1 02 = CAB CHASSIS WHEEL BASE 2 06 = CAB CHASSIS WHEEL BASE 6 11 = VAN WHEEL BASE 1 12 = VAN WHEEL BASE 2 51 = WAGON WHEEL BASE 1 52 = WAGON WHEEL BASE 2 14 = VAN WHEEL BASE 4 15 = VAN WHEEL BASE 5 54 = WAGON WHEEL BASE 4 55 = WAGON WHEEL BASE 5 56 = WAGON WHEEL BASE 6 16 = VAN WHEEL BASE 6	EX8 = 2.7L I5 Turbo Diesel Engine EX9 = 2.7L I5 Mercedes-Benz TD Engine	DGJ = 5-Speed Automatic MB Transmission DGZ = 4-Spd. Automatic MT643 Transmission

AR = use ase required - = Non illustrated part

Vent,Rear Axle
Figure 3-310

ITEM	PART NUMBER	QTY	LINE	SERIES	BODY	ENGINE	TRANS	TRIM	DESCRIPTION
1									GROMMET
	05125930AA	1	2, 6	L	51, 52, 54, 55, 56				
		1	3, 7	L	02, 06				
		1	3, 7	L	12, 15, 16				
		1	2, 6	L	01, 02, 06				
		1	2, 6	L	11, 12, 14, 15, 16				
2									HOSE, Axle Vent
	05104076AA	1	2, 6	L	01, 02, 06				
		1	2, 6	L	11, 12, 14, 15, 16				
		1	2, 6	L	51, 52, 54, 55, 56				
		1	3, 7	L	02, 06				
		1	3, 7	L	12, 15, 16				



SPRINTER (VA)

SERIES	LINE	BODY	ENGINE	TRANSMISSION
L = LOWLINE	3 = HD DODGE 2WD 8 = HD DODGE 4WD 6 = Lt. Duty DODGE 4WD 2 = Med. Duty DODGE 2WD 7 = Med. Duty DODGE 4WD 4 = TRUCK	01 = CHASSIS FORWARD CONTROL W.B.1 02 = CAB CHASSIS WHEEL BASE 2 06 = CAB CHASSIS WHEEL BASE 6 11 = VAN WHEEL BASE 1 12 = VAN WHEEL BASE 2 51 = WAGON WHEEL BASE 1 52 = WAGON WHEEL BASE 2 14 = VAN WHEEL BASE 4 15 = VAN WHEEL BASE 5 54 = WAGON WHEEL BASE 4 55 = WAGON WHEEL BASE 5 56 = WAGON WHEEL BASE 6 16 = VAN WHEEL BASE 6	EX8 = 2.7L I5 Turbo Diesel Engine EX9 = 2.7L I5 Mercedes-Benz TD Engine	DGJ = 5-Speed Automatic MB Transmission DGZ = 4-Spd. Automatic MT643 Transmission

AR = use ase required - = Non illustrated part

2006 VA

Group - 4

Parking Brake

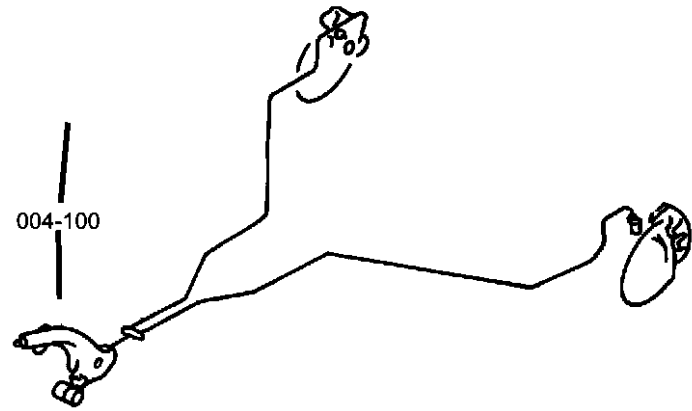
Group - 4 Parking Brake

Illustration Title

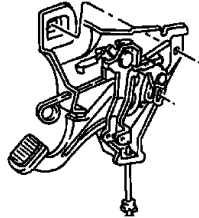
Group-Fig. No.

Parking Brake Lever and Cables

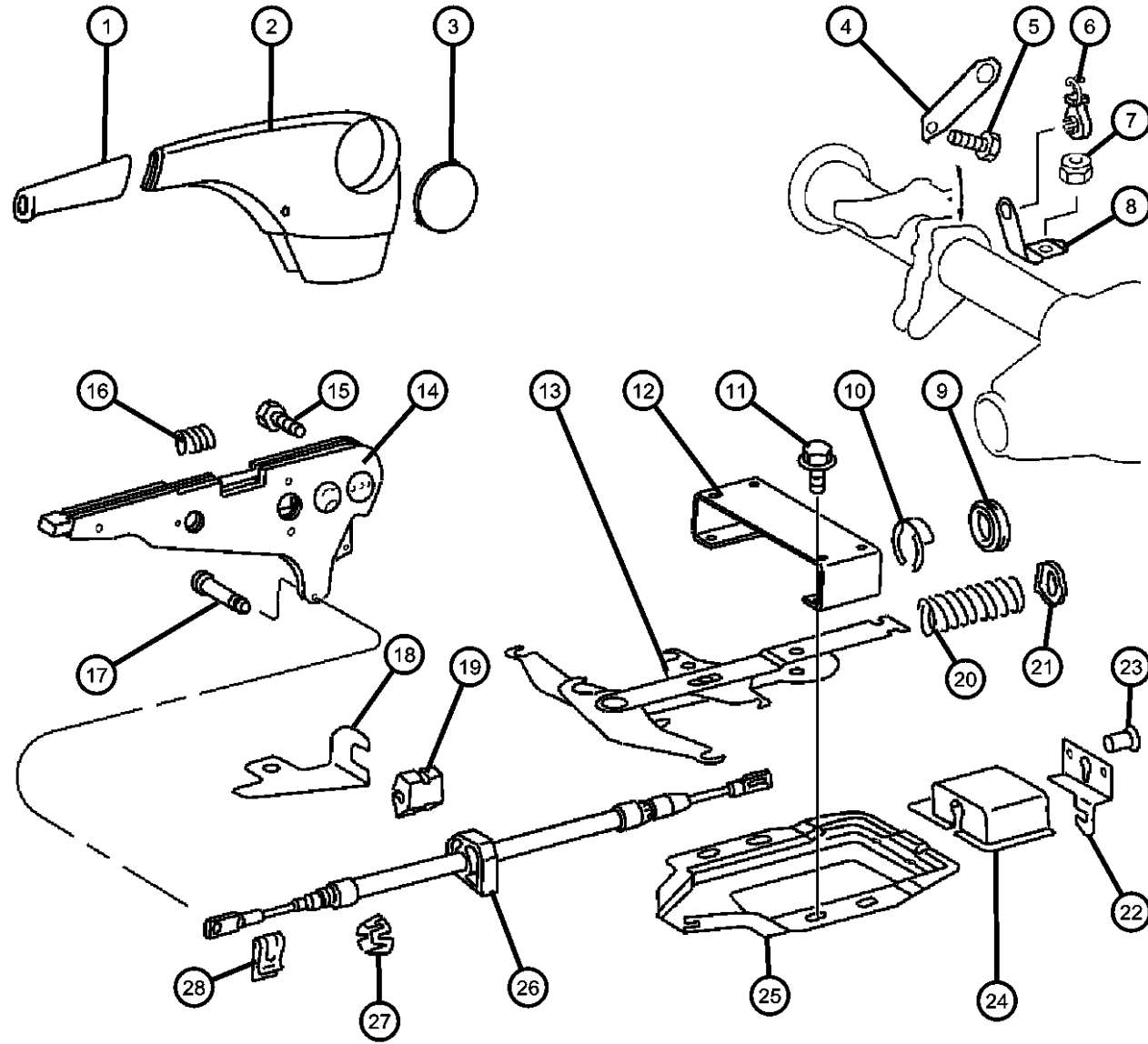
Parking Brake Lever Assembly	Fig. 4 - 110
Parking Brake Assembly.....	Fig. 4 - 120



004-100
Parking Brake Lever and Cables



**Parking Brake Lever Assembly
Figure 4-110**



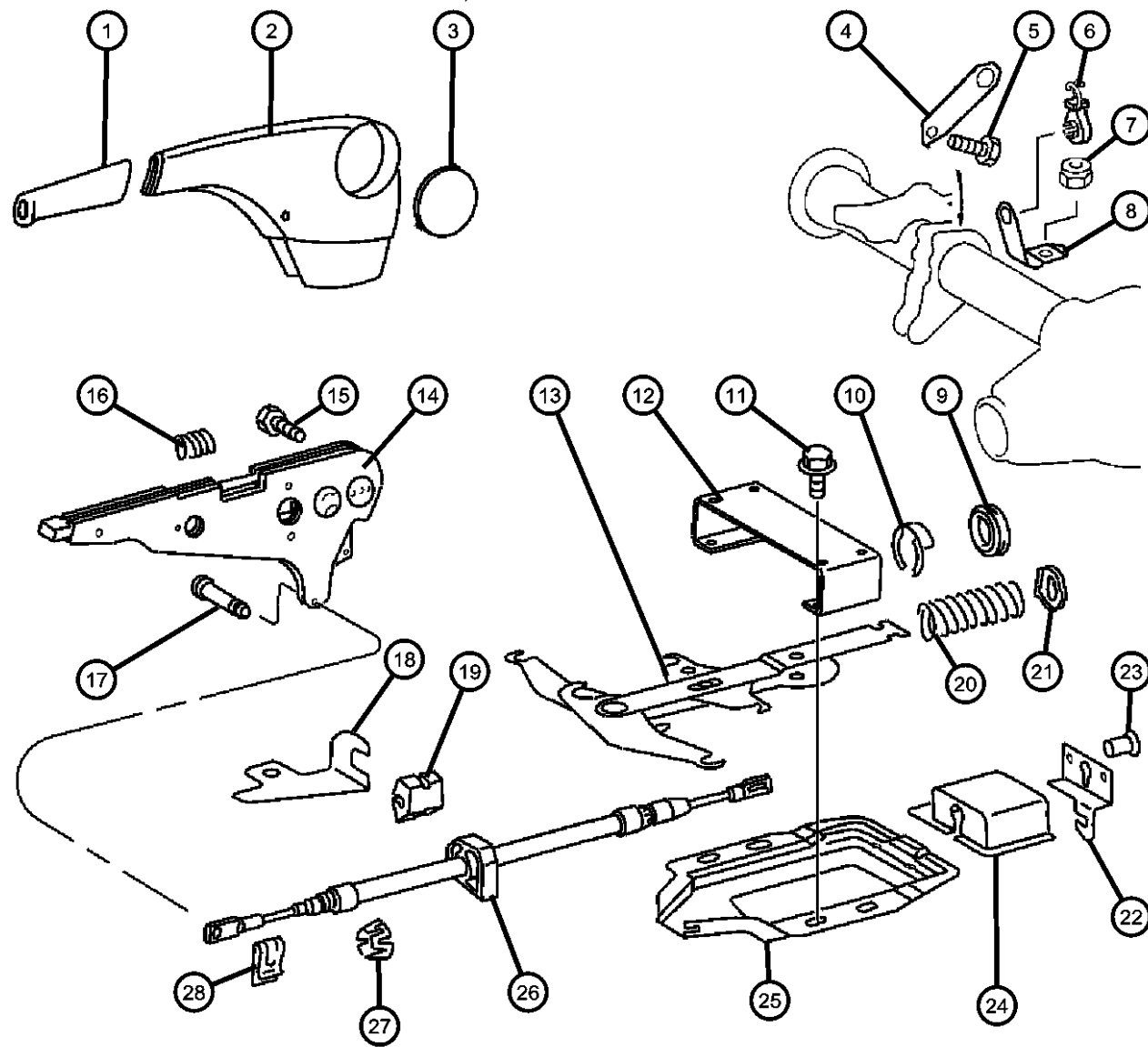
ITEM	PART NUMBER	QTY	LINE	SERIES	BODY	ENGINE	TRANS	TRIM	DESCRIPTION
1	05119259AA	1	3, 7		02, 06				HANDLE, Parking Brake
		1	3, 7		12, 15, 16				
		1	2, 6						
2	05119264AA	1	2, 6		51, 52, 54, 55, 56				COVER, Parking Brake Housing
		1	3, 7		02, 06				
		1	3, 7		12, 15, 16				
		1	2, 6		01, 02, 06				
		1	2, 6		11, 12, 14, 15, 16				
3	05104086AA	1	2, 6		01, 02, 06				COVER, Parking Brake
		1	2, 6		11, 12, 14, 15, 16				
		1	2, 6		51, 52, 54, 55, 56				
		1	3, 7		02, 06				
		1	3, 7		12, 15, 16				
4	05119274AA	1	2, 6		01, 02, 06				BRACKET Left
		1	2, 6		11, 12, 14, 15, 16				Left
		1	2, 6		51, 52, 54, 55, 56				Left
	05119277AA	1	2, 6		01, 02, 06				Right
		1	2, 6		11, 12, 14, 15, 16				Right
		1	2, 6		51, 52, 54, 55, 56				Right
	05136069AA	1	3, 7		02, 06				Right

SPRINTER (VA)

SERIES	LINE	BODY	ENGINE	TRANSMISSION
L = LOWLINE	3 = HD DODGE 2WD 8 = HD DODGE 4WD 6 = Lt. Duty DODGE 4WD 2 = Med. Duty DODGE 2WD 7 = Med. Duty DODGE 4WD 4 = TRUCK	01 = CHASSIS FORWARD CONTROL W.B.1 02 = CAB CHASSIS WHEEL BASE 2 06 = CAB CHASSIS WHEEL BASE 6 11 = VAN WHEEL BASE 1 12 = VAN WHEEL BASE 2 51 = WAGON WHEEL BASE 1 52 = WAGON WHEEL BASE 2 14 = VAN WHEEL BASE 4 15 = VAN WHEEL BASE 5 54 = WAGON WHEEL BASE 4 55 = WAGON WHEEL BASE 5 56 = WAGON WHEEL BASE 6 16 = VAN WHEEL BASE 6	EX8 = 2.7L I5 Turbo Diesel Engine EX9 = 2.7L I5 Mercedes-Benz TD Engine	DGJ = 5-Speed Automatic MB Transmission DGZ = 4-Spd. Automatic MT643 Transmission

AR = use ase required - = Non illustrated part

**Parking Brake Lever Assembly
Figure 4-110**



ITEM	PART NUMBER	QTY	LINE	SERIES	BODY	ENGINE	TRANS	TRIM	DESCRIPTION
		1	3, 7		12, 15, 16				Right
	05136070AA	1	3, 7		02, 06				Left
		1	3, 7		12, 15, 16				Left
5									BOLT
	05104655AA	2	2, 6		01, 02, 06				
		2	2, 6		11, 12, 14, 15, 16				
		2	2, 6		51, 52, 54, 55, 56				
		2	3, 7		02, 06				
		2	3, 7		12, 15, 16				
6									CLIP, Parking Brake Cable
	05119283AA	4	2, 6		01, 02, 06				
		4	2, 6		11, 12, 14, 15, 16				
		4	2, 6		51, 52, 54, 55, 56				
		6	3, 7		02, 06				
		6	3, 7		12, 15, 16				
7									NUT, Hex, M6
	05127449AA	2	2, 6		11, 12, 14, 15, 16				
		2	2, 6		51, 52, 54, 55, 56				
		2	2, 6		01, 02, 06				
		2	3, 7		02, 06				
		2	3, 7		12, 15, 16				
8									BRACKET, Parking Brake Cable Guide
	05119270AA	1	2, 6		01, 02, 06				Left
		1	2, 6		11, 12, 14, 15, 16				Left

SPRINTER (VA)

SERIES

L = LOWLINE
 3 = HD DODGE 2WD
 8 = HD DODGE 4WD
 6 = Lt. Duty DODGE 4WD
 2 = Med. Duty DODGE 2WD
 7 = Med. Duty DODGE 4WD
 4 = TRUCK

LINE

BODY

01 = CHASSIS FORWARD CONTROL W.B.1
 02 = CAB CHASSIS WHEEL BASE 2
 06 = CAB CHASSIS WHEEL BASE 6
 11 = VAN WHEEL BASE 1
 12 = VAN WHEEL BASE 2
 51 = WAGON WHEEL BASE 1
 52 = WAGON WHEEL BASE 2
 14 = VAN WHEEL BASE 4
 15 = VAN WHEEL BASE 5
 54 = WAGON WHEEL BASE 4
 55 = WAGON WHEEL BASE 5
 56 = WAGON WHEEL BASE 6
 16 = VAN WHEEL BASE 6

ENGINE

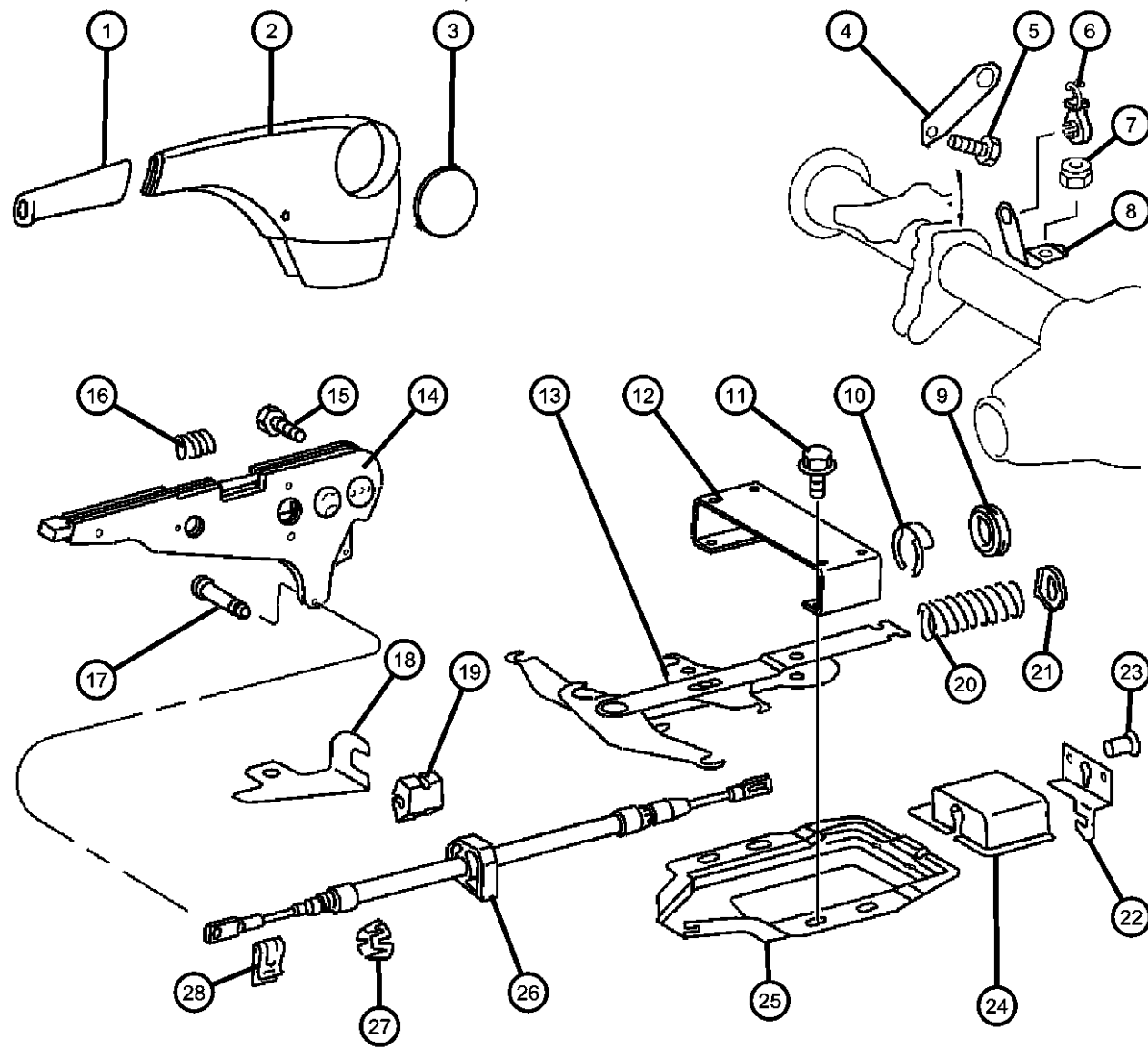
EX8 = 2.7L I5 Turbo Diesel Engine
 EX9 = 2.7L I5 Mercedes-Benz TD Engine

TRANSMISSION

DGJ = 5-Speed Automatic MB Transmission
 DGZ = 4-Spd. Automatic MT643 Transmission

AR = use ase required - = Non illustrated part

**Parking Brake Lever Assembly
Figure 4-110**



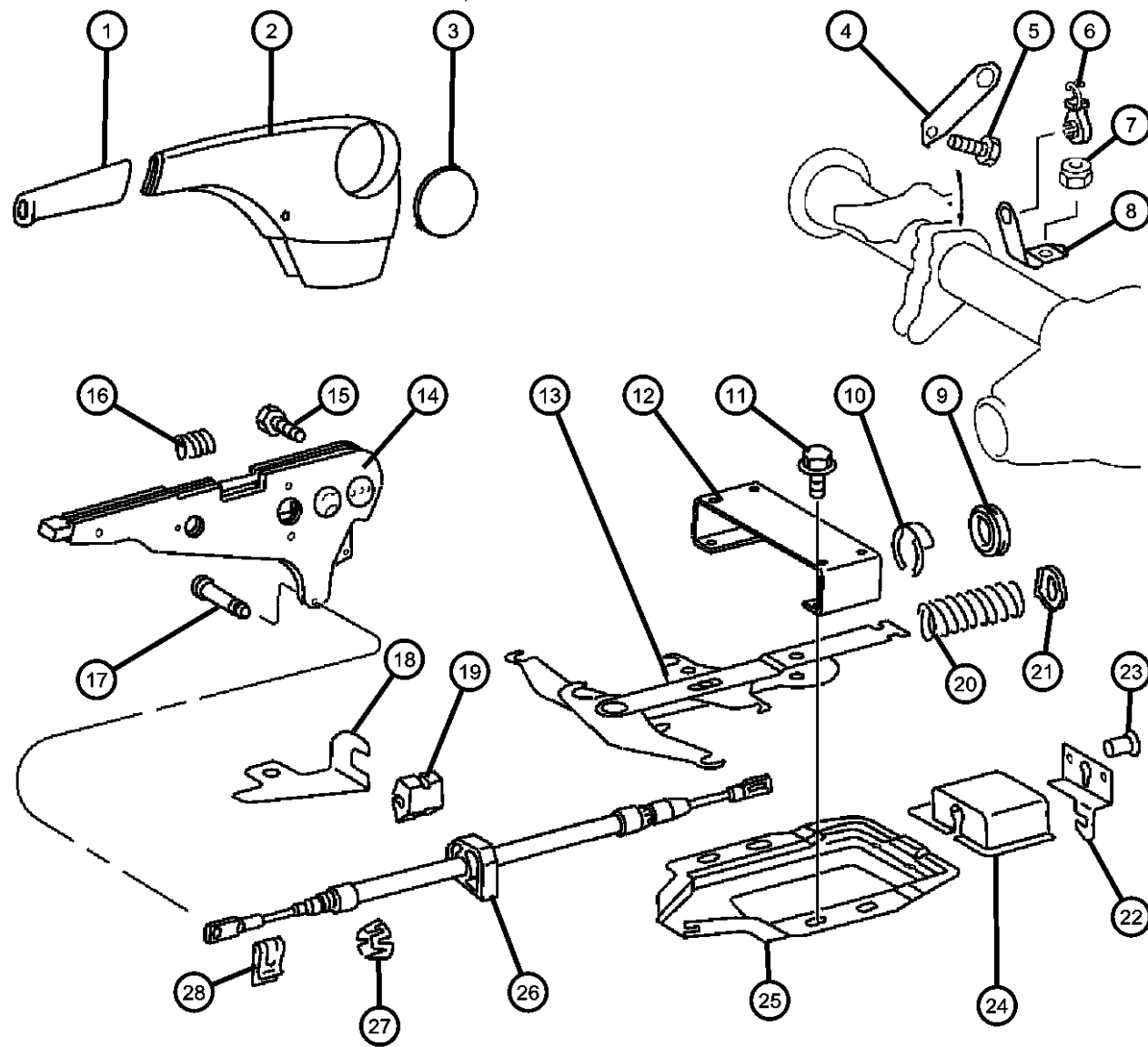
ITEM	PART NUMBER	QTY	LINE	SERIES	BODY	ENGINE	TRANS	TRIM	DESCRIPTION
		1	2, 6		51, 52, 54, 55, 56				Left
	05119273AA	1	2, 6		01, 02, 06				Right
		1	2, 6		11, 12, 14, 15, 16				Right
		1	2, 6		51, 52, 54, 55, 56				Right
9									GROMMET, Parking Brake Cable
	05125927AA	1	2, 6		11, 12, 14, 15, 16				
		1	2, 6		51, 52, 54, 55, 56				
		1	3, 7		02, 06				
		1	3, 7		12, 15, 16				
10		1	2, 6		01, 02, 06				CLIP, Spring
	05125586AA	1	2, 6		01, 02, 06				
		1	2, 6		11, 12, 14, 15, 16				
		1	2, 6		51, 52, 54, 55, 56				
		1	3, 7		02, 06				
		1	3, 7		12, 15, 16				
11									SCREW
	05126264AA	4	2, 6		01, 02, 06				
		4	2, 6		11, 12, 14, 15, 16				
		4	2, 6		51, 52, 54, 55, 56				
		4	3, 7		02, 06				
		4	3, 7		12, 15, 16				
12									BRACKET

SPRINTER (VA)

SERIES	LINE	BODY	ENGINE	TRANSMISSION
L = LOWLINE	3 = HD DODGE 2WD 8 = HD DODGE 4WD 6 = Lt. Duty DODGE 4WD 2 = Med. Duty DODGE 2WD 7 = Med. Duty DODGE 4WD 4 = TRUCK	01 = CHASSIS FORWARD CONTROL W.B.1 02 = CAB CHASSIS WHEEL BASE 2 06 = CAB CHASSIS WHEEL BASE 6 11 = VAN WHEEL BASE 1 12 = VAN WHEEL BASE 2 51 = WAGON WHEEL BASE 1 52 = WAGON WHEEL BASE 2 14 = VAN WHEEL BASE 4 15 = VAN WHEEL BASE 5 54 = WAGON WHEEL BASE 4 55 = WAGON WHEEL BASE 5 56 = WAGON WHEEL BASE 6 16 = VAN WHEEL BASE 6	EX8 = 2.7L I5 Turbo Diesel Engine EX9 = 2.7L I5 Mercedes-Benz TD Engine	DGJ = 5-Speed Automatic MB Transmission DGZ = 4-Spd. Automatic MT643 Transmission

AR = use ase required - = Non illustrated part

**Parking Brake Lever Assembly
Figure 4-110**



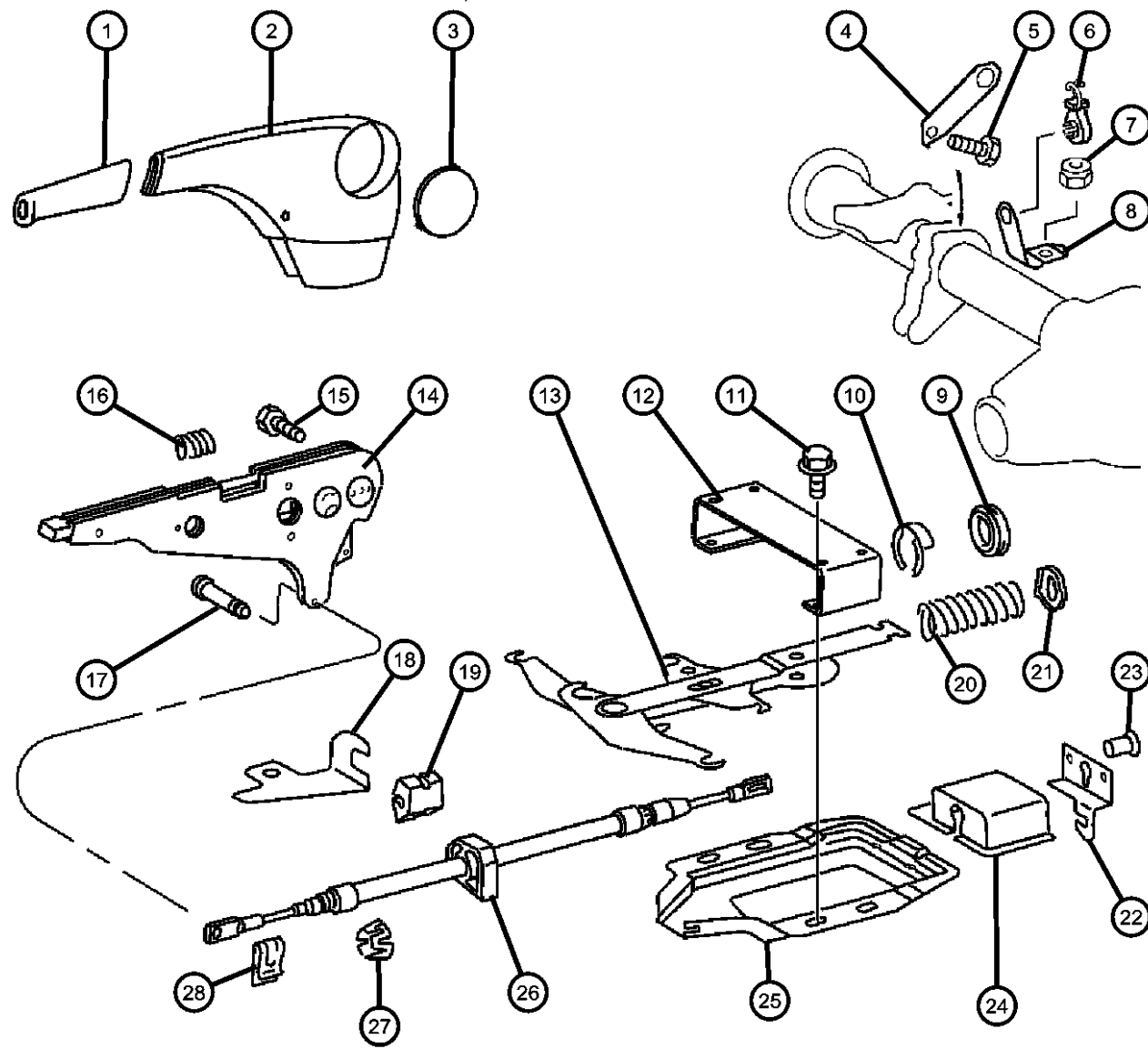
ITEM	PART NUMBER	QTY	LINE	SERIES	BODY	ENGINE	TRANS	TRIM	DESCRIPTION
	05133901AA	1	3, 7		02, 06				
		1	3, 7		12, 15, 16				
13	05119231AA	1	2, 6		01, 02, 06				EQUALIZER, Parking Brake Cable
		1	2, 6		11, 12, 14, 15, 16				
		1	2, 6		51, 52, 54, 55, 56				
	05119232AA	1	3, 7		02, 06				Without [4JR]
	05140766AA	1	3, 7		12, 15, 16				With [4JR]
14		1	3, 7		02, 06				LEVER, Parking Brake
	05119146AA	1	2, 6		01, 02, 06				
		1	2, 6		11, 12, 14, 15, 16				
		1	2, 6		51, 52, 54, 55, 56				
		1	3, 7		02, 06				
		1	3, 7		12, 15, 16				
15									SCREW, M8x20
	05097692AA	2	2, 6		01, 02, 06				
		2	2, 6		11, 12, 14, 15, 16				
		2	2, 6		51, 52, 54, 55, 56				
		2	3, 7		02, 06				
		2	3, 7		12, 15, 16				
16									SPRING
	05125844AA	1	3, 7		02, 06				
		1	3, 7		12, 15, 16				
17									PIN, Parking Brake Handle

SPRINTER (VA)

SERIES	LINE	BODY	ENGINE	TRANSMISSION
L = LOWLINE	3 = HD DODGE 2WD 8 = HD DODGE 4WD 6 = Lt. Duty DODGE 4WD 2 = Med. Duty DODGE 2WD 7 = Med. Duty DODGE 4WD 4 = TRUCK	01 = CHASSIS FORWARD CONTROL W.B.1 02 = CAB CHASSIS WHEEL BASE 2 06 = CAB CHASSIS WHEEL BASE 6 11 = VAN WHEEL BASE 1 12 = VAN WHEEL BASE 2 51 = WAGON WHEEL BASE 1 52 = WAGON WHEEL BASE 2 14 = VAN WHEEL BASE 4 15 = VAN WHEEL BASE 5 54 = WAGON WHEEL BASE 4 55 = WAGON WHEEL BASE 5 56 = WAGON WHEEL BASE 6 16 = VAN WHEEL BASE 6	EX8 = 2.7L I5 Turbo Diesel Engine EX9 = 2.7L I5 Mercedes-Benz TD Engine	DGJ = 5-Speed Automatic MB Transmission DGZ = 4-Spd. Automatic MT643 Transmission

AR = use ase required - = Non illustrated part

**Parking Brake Lever Assembly
Figure 4-110**



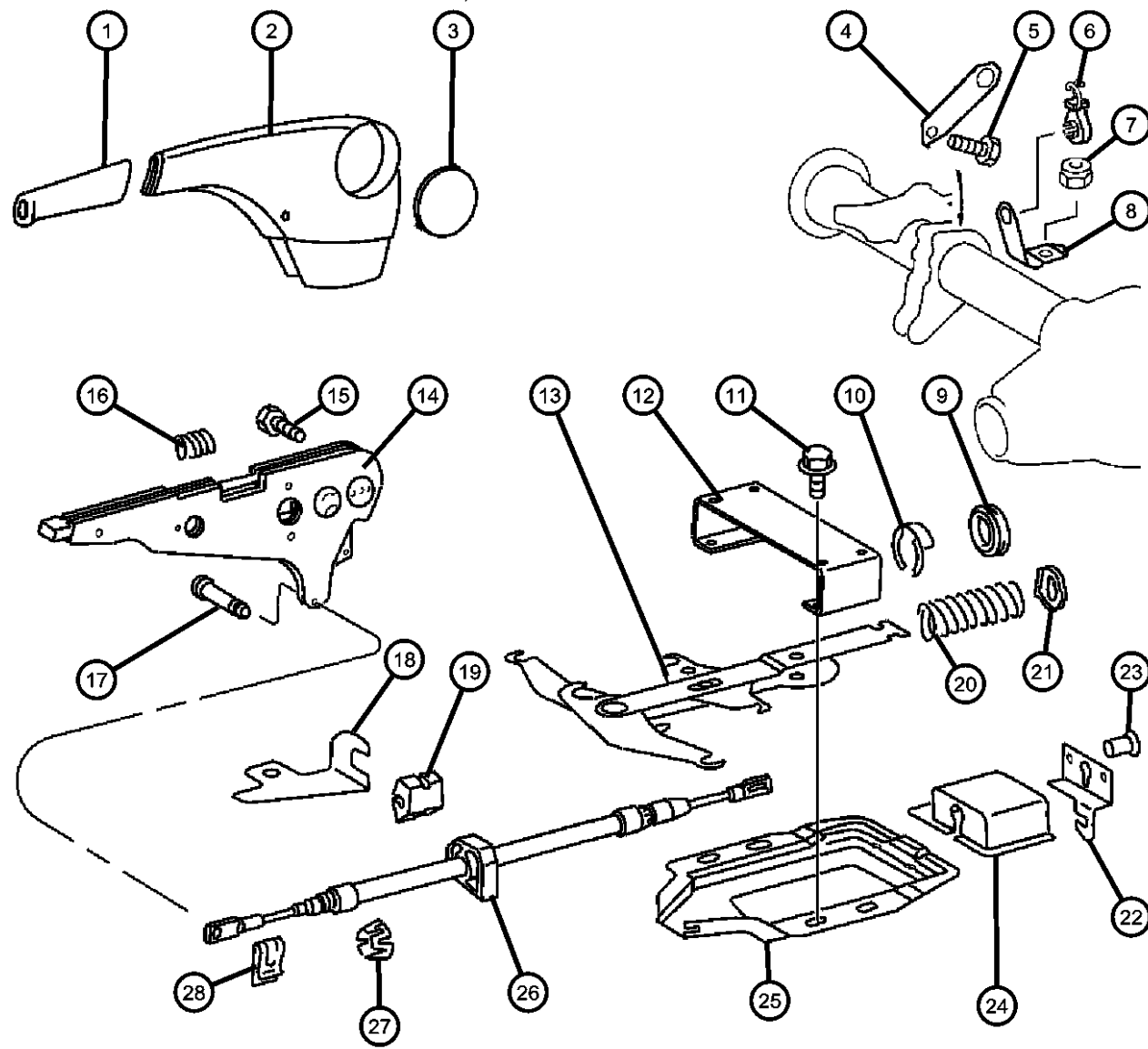
ITEM	PART NUMBER	QTY	LINE	SERIES	BODY	ENGINE	TRANS	TRIM	DESCRIPTION
	05119284AA	1	2, 6		01, 02, 06				
		1	2, 6		11, 12, 14, 15, 16				
		1	2, 6		51, 52, 54, 55, 56				
		1	3, 7		02, 06				
18		1	3, 7		12, 15, 16				BRACKET, Hand Brake
	05119275AA	1	2, 6		02				
		1	2, 6		12, 15				
		1	2, 6		52, 55				
		1	3, 7		02				
		1	3, 7		12, 15				
19									GROMMET, Parking Brake Cable
	05119295AA	2	2, 6		02				
		2	2, 6		12, 15				
		2	2, 6		52, 55				
		2	3, 7		02				
		2	3, 7		06				
		2	3, 7		12, 15				
		2	3, 7		16				
20									SPRING, Parking Brake Release
	05119260AA	1	2, 6		01, 02, 06				
		1	2, 6		11, 12, 14, 15, 16				
		1	2, 6		51, 52, 54, 55, 56				
		1	3, 7		02, 06				
		1	3, 7		12, 15, 16				

SPRINTER (VA)

SERIES	LINE	BODY	ENGINE	TRANSMISSION
L = LOWLINE	3 = HD DODGE 2WD 8 = HD DODGE 4WD 6 = Lt. Duty DODGE 4WD 2 = Med. Duty DODGE 2WD 7 = Med. Duty DODGE 4WD 4 = TRUCK	01 = CHASSIS FORWARD CONTROL W.B.1 02 = CAB CHASSIS WHEEL BASE 2 06 = CAB CHASSIS WHEEL BASE 6 11 = VAN WHEEL BASE 1 12 = VAN WHEEL BASE 2 51 = WAGON WHEEL BASE 1 52 = WAGON WHEEL BASE 2 14 = VAN WHEEL BASE 4 15 = VAN WHEEL BASE 5 54 = WAGON WHEEL BASE 4 55 = WAGON WHEEL BASE 5 56 = WAGON WHEEL BASE 6 16 = VAN WHEEL BASE 6	EX8 = 2.7L I5 Turbo Diesel Engine EX9 = 2.7L I5 Mercedes-Benz TD Engine	DGJ = 5-Speed Automatic MB Transmission DGZ = 4-Spd. Automatic MT643 Transmission

AR = use ase required - = Non illustrated part

**Parking Brake Lever Assembly
Figure 4-110**



ITEM	PART NUMBER	QTY	LINE	SERIES	BODY	ENGINE	TRANS	TRIM	DESCRIPTION
21	05119287AA	1	2, 6		01, 02, 06				WASHER
		1	2, 6		11, 12, 14, 15, 16				
		1	2, 6		51, 52, 54, 55, 56				
		1	3, 7		02, 06				
		1	3, 7		12, 15, 16				
22	05118455AA	1	2, 6		06				REINFORCEMENT, Park Brake Mounting
		1	2, 6		01, 02				
		1	2, 6		11, 12, 14, 15				
		1	3, 7		06				
		1	3, 7		02				
		1	3, 7		12, 15				
23	05133417AA	3	3, 7		12, 15, 16				RIVET, Blind Bulb
		3	2, 6		01, 02, 06				
		3	2, 6		11, 12, 14, 15, 16				
		3	2, 6		51, 52, 54, 55, 56				
		3	3, 7		02, 06				
24	05118469AA	1	3, 7		12, 15, 16				COVER, Parking Brake Cable
		1	2, 6		01, 02, 06				
		1	2, 6		11, 12, 14, 15, 16				
		1	2, 6		51, 52, 54, 55, 56				

SPRINTER (VA)

SERIES
L = LOWLINE

LINE
3 = HD DODGE 2WD
8 = HD DODGE 4WD
6 = Lt. Duty DODGE 4WD
2 = Med. Duty DODGE 2WD
7 = Med. Duty DODGE 4WD
4 = TRUCK

BODY
01 = CHASSIS FORWARD CONTROL W.B.1
02 = CAB CHASSIS WHEEL BASE 2
06 = CAB CHASSIS WHEEL BASE 6
11 = VAN WHEEL BASE 1
12 = VAN WHEEL BASE 2
51 = WAGON WHEEL BASE 1
52 = WAGON WHEEL BASE 2
14 = VAN WHEEL BASE 4
15 = VAN WHEEL BASE 5
54 = WAGON WHEEL BASE 4
55 = WAGON WHEEL BASE 5
56 = WAGON WHEEL BASE 6
16 = VAN WHEEL BASE 6

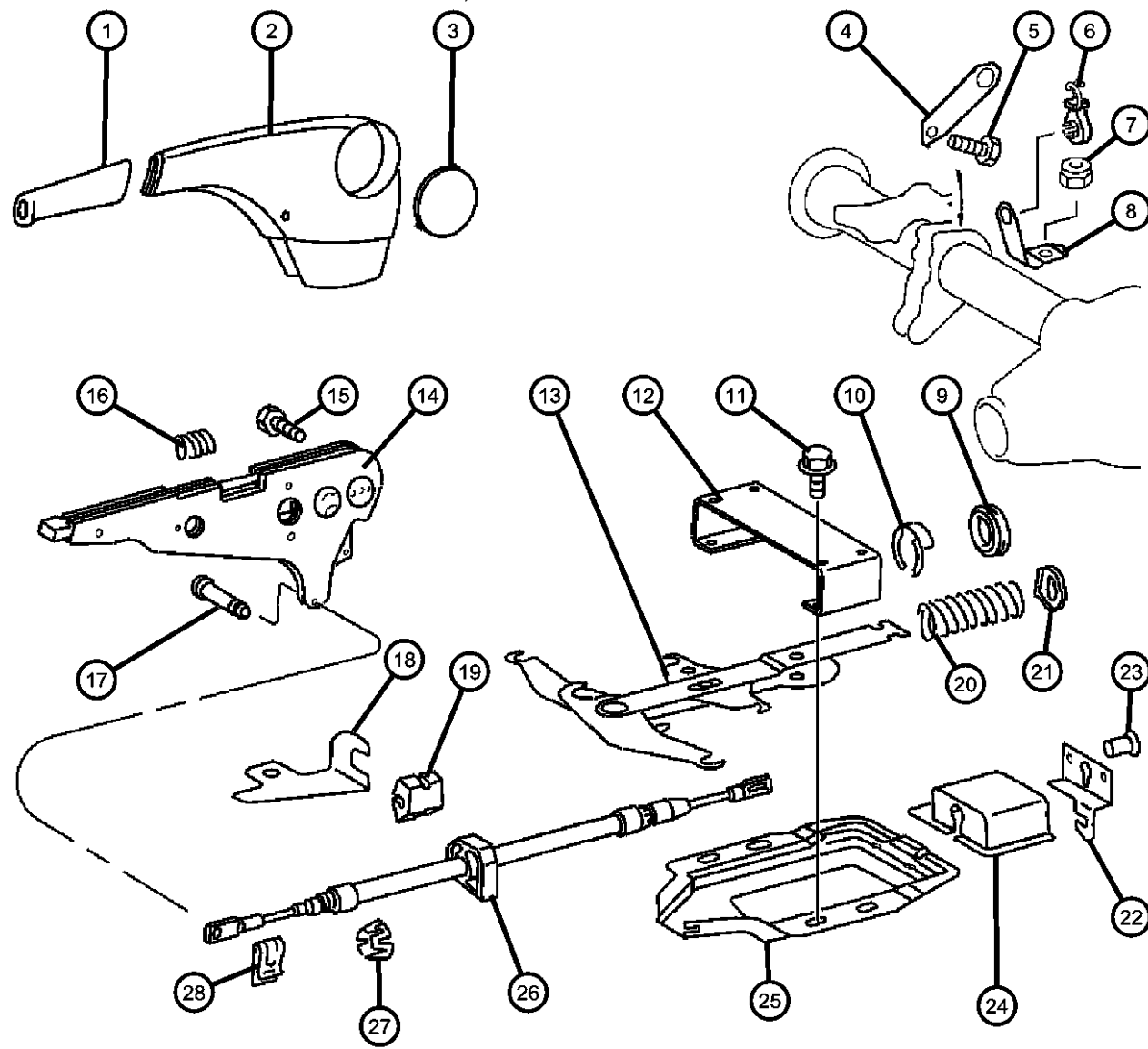
ENGINE
EX8 = 2.7L I5 Turbo Diesel Engine
EX9 = 2.7L I5 Mercedes-Benz TD Engine

TRANSMISSION
DGJ = 5-Speed Automatic MB Transmission
DGZ = 4-Spd. Automatic MT643 Transmission

AR = use ase required - = Non illustrated part

2006 VA

**Parking Brake Lever Assembly
Figure 4-110**



ITEM	PART NUMBER	QTY	LINE	SERIES	BODY	ENGINE	TRANS	TRIM	DESCRIPTION
		1	3, 7		02, 06				
25									COVER, Equalizer
	05119224AA	1	2, 6		01, 02, 06				
		1	2, 6		11, 12, 14, 15, 16				
		1	2, 6		51, 52, 54, 55, 56				
		1	3, 7		02, 06				
		1	3, 7		12, 15, 16				
26									CABLE, Parking Brake
	05119245AA	1	2, 6		02				
		1	2, 6		12, 15				
		1	2, 6		52, 55				
	05119247AA	1	2, 6		06				
		1	2, 6		16				
		1	2, 6		56				
		1	3, 7		06				
		1	3, 7		16				
	05129192AA	1	2, 6		01				
		1	2, 6		11, 14				
		1	3, 7		02				
		1	3, 7		12, 15				
		1	2, 6		51, 54				
27									CLIP, Cable
	05119298AA	1	2, 6		01, 02, 06				
		1	2, 6		11, 12, 14, 15, 16				
		1	2, 6		51, 52, 54, 55, 56				

SPRINTER (VA)

SERIES
L = LOWLINE

LINE
3 = HD DODGE 2WD
8 = HD DODGE 4WD
6 = Lt. Duty DODGE 4WD
2 = Med. Duty DODGE 2WD
7 = Med. Duty DODGE 4WD
4 = TRUCK

BODY
01 = CHASSIS FORWARD CONTROL W.B.1
02 = CAB CHASSIS WHEEL BASE 2
06 = CAB CHASSIS WHEEL BASE 6
11 = VAN WHEEL BASE 1
12 = VAN WHEEL BASE 2
51 = WAGON WHEEL BASE 1
52 = WAGON WHEEL BASE 2
14 = VAN WHEEL BASE 4
15 = VAN WHEEL BASE 5
54 = WAGON WHEEL BASE 4
55 = WAGON WHEEL BASE 5
56 = WAGON WHEEL BASE 6
16 = VAN WHEEL BASE 6

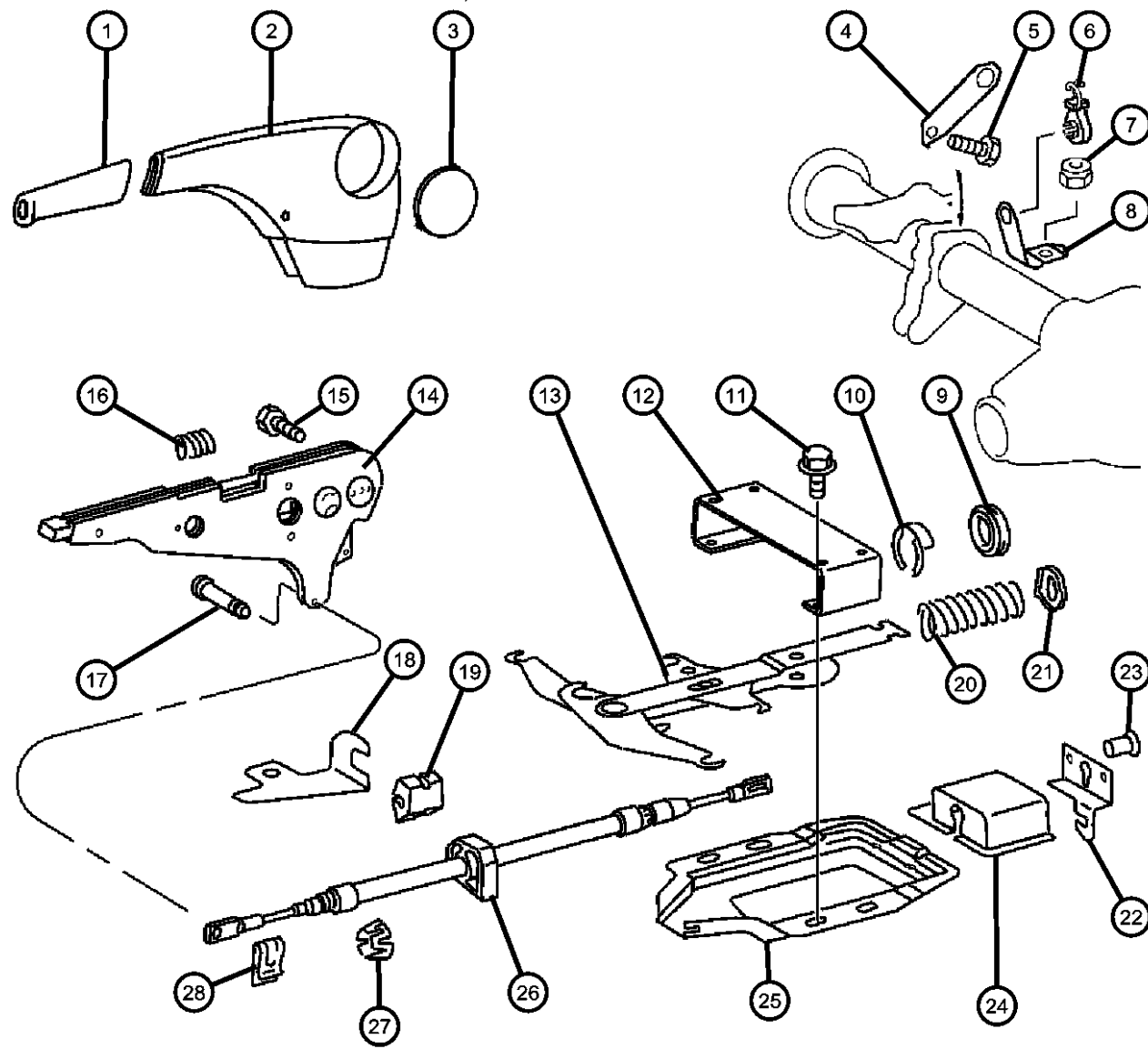
ENGINE
EX8 = 2.7L I5 Turbo Diesel Engine
EX9 = 2.7L I5 Mercedes-Benz TD Engine

TRANSMISSION
DGJ = 5-Speed Automatic MB Transmission
DGZ = 4-Spd. Automatic MT643 Transmission

AR = use ase required - = Non illustrated part

2006 VA

**Parking Brake Lever Assembly
Figure 4-110**



ITEM	PART NUMBER	QTY	LINE	SERIES	BODY	ENGINE	TRANS	TRIM	DESCRIPTION
------	-------------	-----	------	--------	------	--------	-------	------	-------------

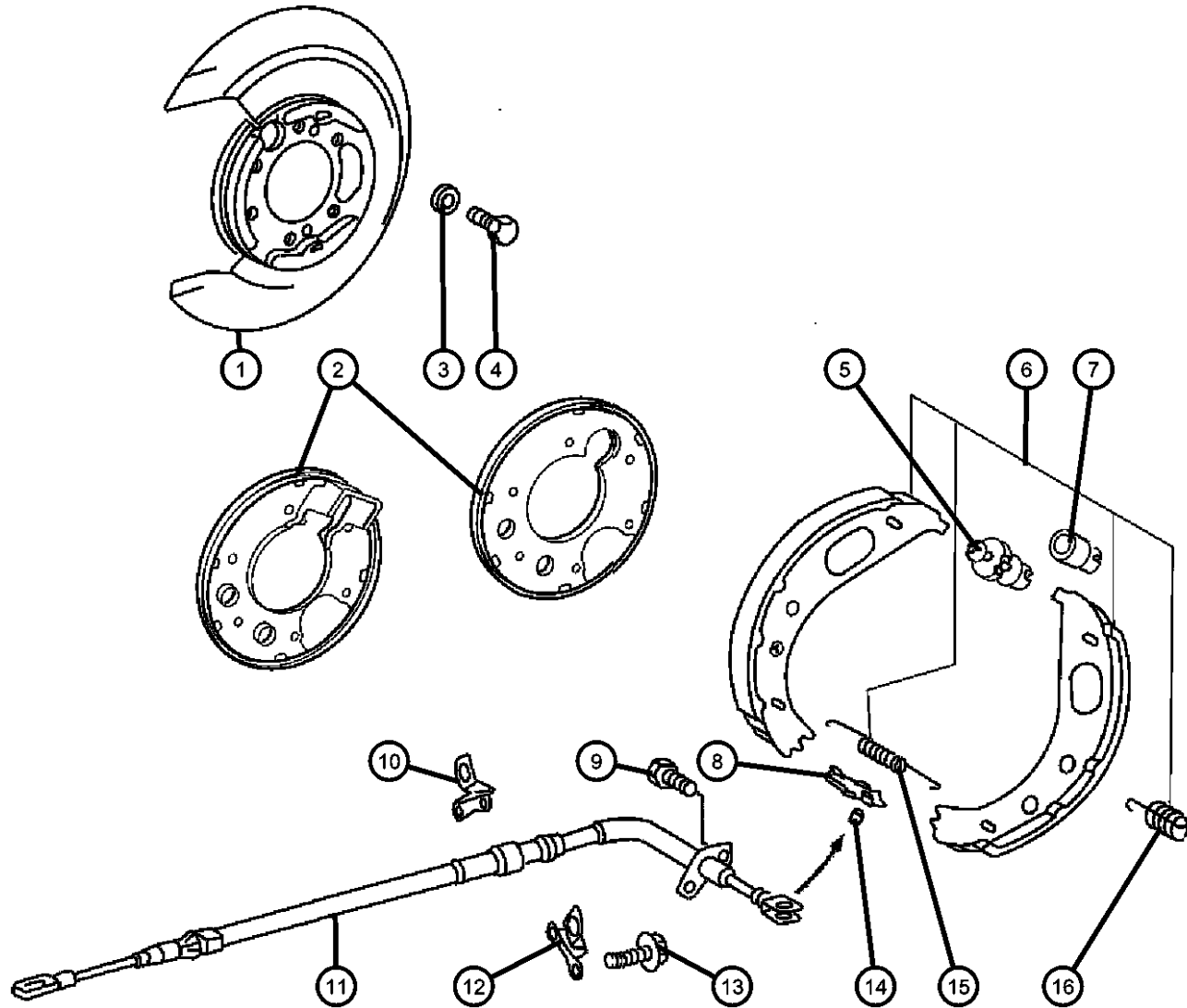
		1	3, 7		02, 06				
		1	3, 7		12, 15, 16				
28									CLIP, Retaining
	05126243AA	1	2, 6		51, 52, 54, 55, 56				
		1	3, 7		02, 06				
		1	3, 7		12, 15, 16				
		1	2, 6		01, 02, 06				
		1	2, 6		11, 12, 14, 15, 16				

SPRINTER (VA)

SERIES	LINE	BODY	ENGINE	TRANSMISSION
L = LOWLINE	3 = HD DODGE 2WD 8 = HD DODGE 4WD 6 = Lt. Duty DODGE 4WD 2 = Med. Duty DODGE 2WD 7 = Med. Duty DODGE 4WD 4 = TRUCK	01 = CHASSIS FORWARD CONTROL W.B.1 02 = CAB CHASSIS WHEEL BASE 2 06 = CAB CHASSIS WHEEL BASE 6 11 = VAN WHEEL BASE 1 12 = VAN WHEEL BASE 2 51 = WAGON WHEEL BASE 1 52 = WAGON WHEEL BASE 2 14 = VAN WHEEL BASE 4 15 = VAN WHEEL BASE 5 54 = WAGON WHEEL BASE 4 55 = WAGON WHEEL BASE 5 56 = WAGON WHEEL BASE 6 16 = VAN WHEEL BASE 6	EX8 = 2.7L I5 Turbo Diesel Engine EX9 = 2.7L I5 Mercedes-Benz TD Engine	DGJ = 5-Speed Automatic MB Transmission DGZ = 4-Spd. Automatic MT643 Transmission

AR = use ase required - = Non illustrated part

**Parking Brake Assembly
Figure 4-120**



ITEM	PART NUMBER	QTY	LINE	SERIES	BODY	ENGINE	TRANS	TRIM	DESCRIPTION
1	05103952AA	1	2, 6						PLATE, Brake Backing Left
	05139222AA	1	2, 6						Right
2	05139223AA	1	3, 7						PLATE, Brake Backing Left
	05139224AA	1	3, 7						Right
3	05139232AA	4	3, 7						WASHER
4	05139231AA	4							SCREW
5	05139234AA	2	2, 3, 6, 7						ADJUSTER, Parking Brake
6	05103792AA	1	2, 6						SHOE AND LINING, Parking Brake
	05103793AA	1	3, 7						
7	05139233AA	2	6, 7, 2, 3						BUSHING
8	05101691AA	2							PLATE, Brake Shoe Guide
9	05098124AA	2							SCREW
10	05139229AA	1	3, 7						BRACKET, Parking Brake Right Rear
11	05139225AA	2	2, 6						CABLE, Parking Brake Right or Left
	05139226AA	1	3, 7						Left
	05139227AA	1	3, 7						Right
12	05139228AA	1	3, 7						BRACKET, Parking Brake Left Rear
13	05134371AA	10	2, 3, 6, 7						SCREW AND WASHER
14	05098414AA	2							PIN
15	05139736AA	2	2, 6						SPRING, Brake Shoe to Shoe
16	05139479AA	4	2, 6						SPRING, Brake Shoe Hold Down

SPRINTER (VA)

SERIES
L = LOWLINE

LINE
3 = HD DODGE 2WD
8 = HD DODGE 4WD
6 = Lt. Duty DODGE 4WD
2 = Med. Duty DODGE 2WD
7 = Med. Duty DODGE 4WD
4 = TRUCK

BODY
01 = CHASSIS FORWARD CONTROL W.B.1
02 = CAB CHASSIS WHEEL BASE 2
06 = CAB CHASSIS WHEEL BASE 6
11 = VAN WHEEL BASE 1
12 = VAN WHEEL BASE 2
51 = WAGON WHEEL BASE 1
52 = WAGON WHEEL BASE 2
14 = VAN WHEEL BASE 4
15 = VAN WHEEL BASE 5
54 = WAGON WHEEL BASE 4
55 = WAGON WHEEL BASE 5
56 = WAGON WHEEL BASE 6
16 = VAN WHEEL BASE 6

ENGINE
EX8 = 2.7L I5 Turbo Diesel Engine
EX9 = 2.7L I5 Mercedes-Benz TD Engine

TRANSMISSION
DGJ = 5-Speed Automatic MB Transmission
DGZ = 4-Spd. Automatic MT643 Transmission

AR = use ase required - = Non illustrated part

2006 VA

Group - 5

Service Brakes

Group - 5 Service Brakes

Group-Fig. No.

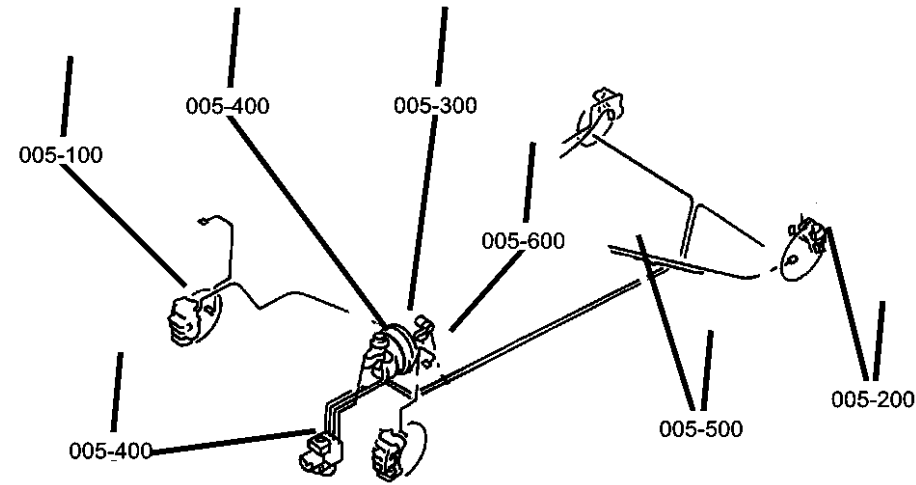


Illustration Title

Front Brakes

Brakes, Front Fig. 5 - 110

Rear Brakes

Brakes,Rear,272MM Fig. 5 - 210

Brakes,Rear,285MM Fig. 5 - 220

Power Brake Booster

Booster Fig. 5 - 310

Vacuum Lines Fig. 5 - 320

Vacuum Reservoir Fig. 5 - 330

Brake Master Cylinder

Master Cylinder Fig. 5 - 410

Hydraulic Control Unit and ABS Module Fig. 5 - 420

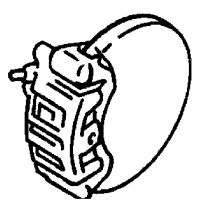
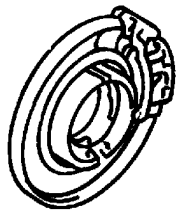
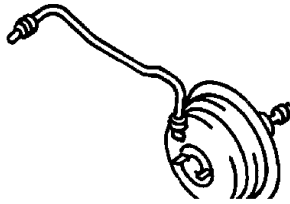
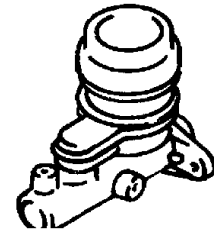
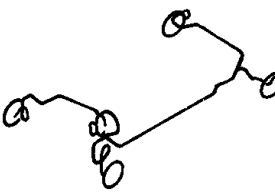

Brake Lines and Hoses

Lines,Brake,With ABS,2500/3500 Series Fig. 5 - 510

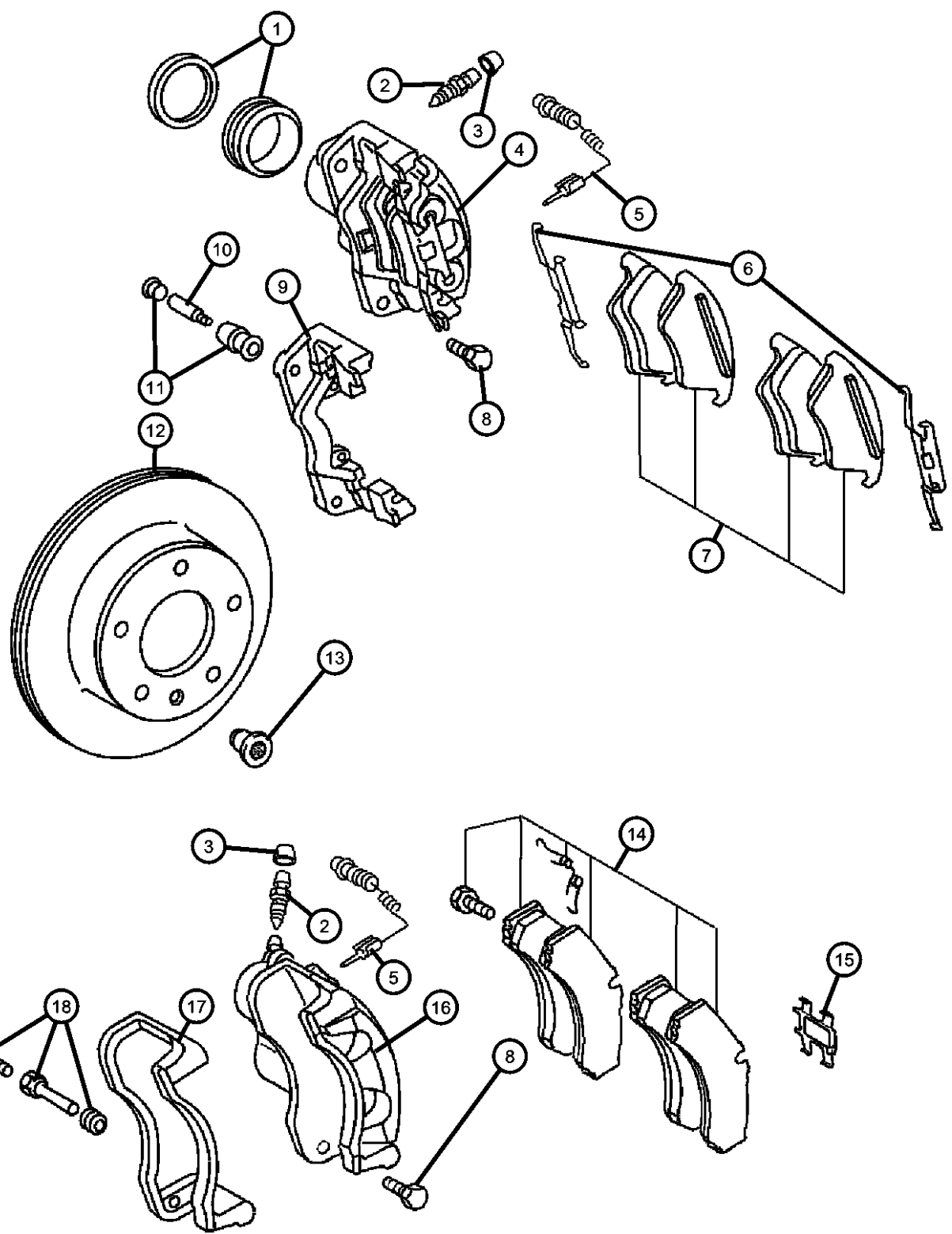
Brake, Power Regulator Fig. 5 - 520

Brake Pedals

Pedal Brake Fig. 5 - 610

<p>005-100 Front Brakes</p> 	<p>005-200 Rear Brakes</p> 	<p>005-300 Power Brake Booster</p> 	<p>005-400 Brake Master Cylinder</p> 
<p>005-500 Brake Lines and Hoses</p> 	<p>005-600 Brake Pedals</p> 		

Brakes, Front
Figure 5-110



ITEM	PART NUMBER	QTY	LINE	SERIES	BODY	ENGINE	TRANS	TRIM	DESCRIPTION
------	-------------	-----	------	--------	------	--------	-------	------	-------------

Note: You must check the brand name on the old caliper to determine which one to order.
Note: On item 7, either part number can be used for item 4.

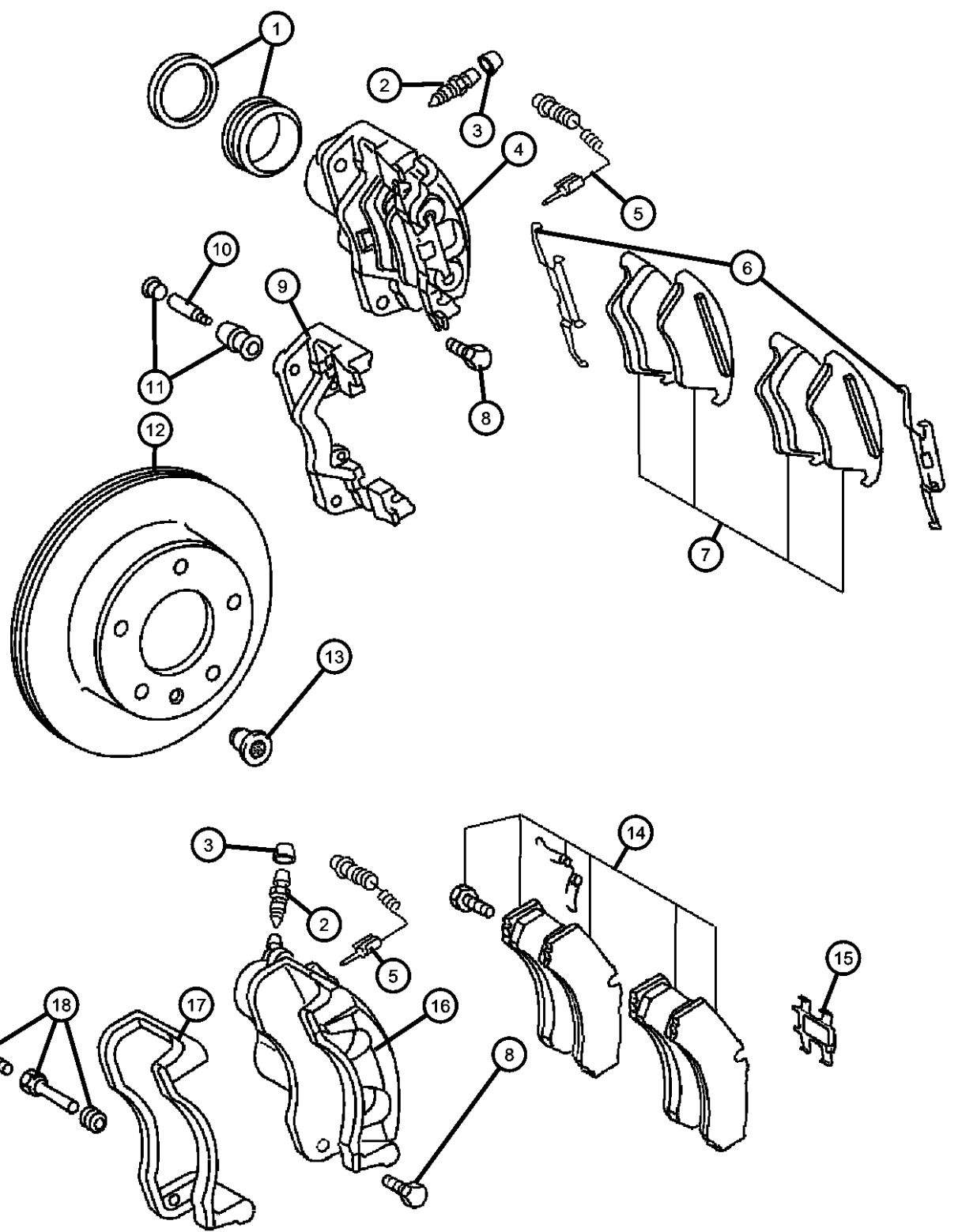
1	05139261AA	1							SEAL, Caliper Piston
2	05139258AA	1	2, 6						BLEEDER SCREW, Brake
3	05126309AA	1	2, 3, 6, 7						CAP, Bleeder
4	05127482AA	1							CALIPER, Disc Brake With Bosch Lining-without Pads, Right
	05127483AA	1							With Bosch Lining-without Pads, Left
	05127486AA	1							With Wabco/Perrot Lining-without Pads, Right
	05135215AA	1							With Wabco/Perrot Lining-without Pads, Left
5	05103583AB	2	2, 3, 6, 7						SENSOR, Brake wear
6	05139906AA	2	2, 6						SPRING, Brake Pad Retraction
7	05103556AA	1	2, 3, 6, 7						PAD KIT, Disc Brake Bosch / Textar / For Bosch Calipers Only
	VP101790								Mopar V-Line Alternative Part
	VVA03602AA								Make it New Brake Kit Front 2500/3500 15" Front Wheel From Axle S482214/Y422060
	VVA14479AA								Make It New Brake Kit Front 2500 Bosch/Wabco Caliper 16" Wheel
	VVA03606AA								Make It New Brake Kit Rear 3500 15" Wheel
	05103790AA	1							Perrot / For Wabco Calipers Only
	VP101790								Mopar V-Line Alternative Part
	VVA03602AA								Make it New Brake Kit Front 2500/3500 15" Front Wheel From Axle S482214/Y422060

SPRINTER (VA)

SERIES	LINE	BODY	ENGINE	TRANSMISSION
L = LOWLINE	3 = HD DODGE 2WD 8 = HD DODGE 4WD 6 = Lt. Duty DODGE 4WD 2 = Med. Duty DODGE 2WD 7 = Med. Duty DODGE 4WD 4 = TRUCK	01 = CHASSIS FORWARD CONTROL W.B.1 02 = CAB CHASSIS WHEEL BASE 2 06 = CAB CHASSIS WHEEL BASE 6 11 = VAN WHEEL BASE 1 12 = VAN WHEEL BASE 2 51 = WAGON WHEEL BASE 1 52 = WAGON WHEEL BASE 2 14 = VAN WHEEL BASE 4 15 = VAN WHEEL BASE 5 54 = WAGON WHEEL BASE 4 55 = WAGON WHEEL BASE 5 56 = WAGON WHEEL BASE 6 16 = VAN WHEEL BASE 6	EX8 = 2.7L I5 Turbo Diesel Engine EX9 = 2.7L I5 Mercedes-Benz TD Engine	DGJ = 5-Speed Automatic MB Transmission DGZ = 4-Spd. Automatic MT643 Transmission

AR = use ase required - = Non illustrated part

**Brakes, Front
Figure 5-110**



ITEM	PART NUMBER	QTY	LINE	SERIES	BODY	ENGINE	TRANS	TRIM	DESCRIPTION
	VVA14479AA								Make It New Brake Kit Front 2500 Bosch/Wabco Caliper 16" Wheel
	VVA03606AA								Make It New Brake Kit Rear 3500 15" Wheel
8	05139464AA	4							SCREW
9	05135915AA	1							ADAPTER, Disc Brake Caliper Bosch
	05135916AA	1							Wabco
10	05103632AA	1							PIN KIT, Disc Brake
11	05114556AA	1							BUSHING, Caliper
12	05103602AC	1							ROTOR, Brake For [15] Inch Rotors
	VVA03602AA								Make it New Brake Kit Front 2500/3500 15" Front Wheel From Axle S482214/Y422060
	05114479AA	1							With [16] Inch Rotors Or [WDG] Sales Code
	VVA14479AA								Make It New Brake Kit Front 2500 Bosch/Wabco Caliper 16" Wheel
13	05104621AA	2							SCREW M8-Up To Front Axle S482213/Y422059
	05139361AA	2							M12-From Front Axle S482214/Y422060
14	05103556AA	1	2, 3, 6, 7						PAD KIT, Disc Brake Bosch
	VP101790								Mopar V-Line Alternative Part
	VVA03602AA								Make it New Brake Kit Front 2500/3500 15" Front Wheel From Axle S482214/Y422060

SPRINTER (VA)

SERIES
L = LOWLINE

LINE
3 = HD DODGE 2WD
8 = HD DODGE 4WD
6 = Lt. Duty DODGE 4WD
2 = Med. Duty DODGE 2WD
7 = Med. Duty DODGE 4WD
4 = TRUCK

BODY
01 = CHASSIS FORWARD CONTROL W.B.1
02 = CAB CHASSIS WHEEL BASE 2
06 = CAB CHASSIS WHEEL BASE 6
11 = VAN WHEEL BASE 1
12 = VAN WHEEL BASE 2
51 = WAGON WHEEL BASE 1
52 = WAGON WHEEL BASE 2
14 = VAN WHEEL BASE 4
15 = VAN WHEEL BASE 5
54 = WAGON WHEEL BASE 4
55 = WAGON WHEEL BASE 5
56 = WAGON WHEEL BASE 6
16 = VAN WHEEL BASE 6

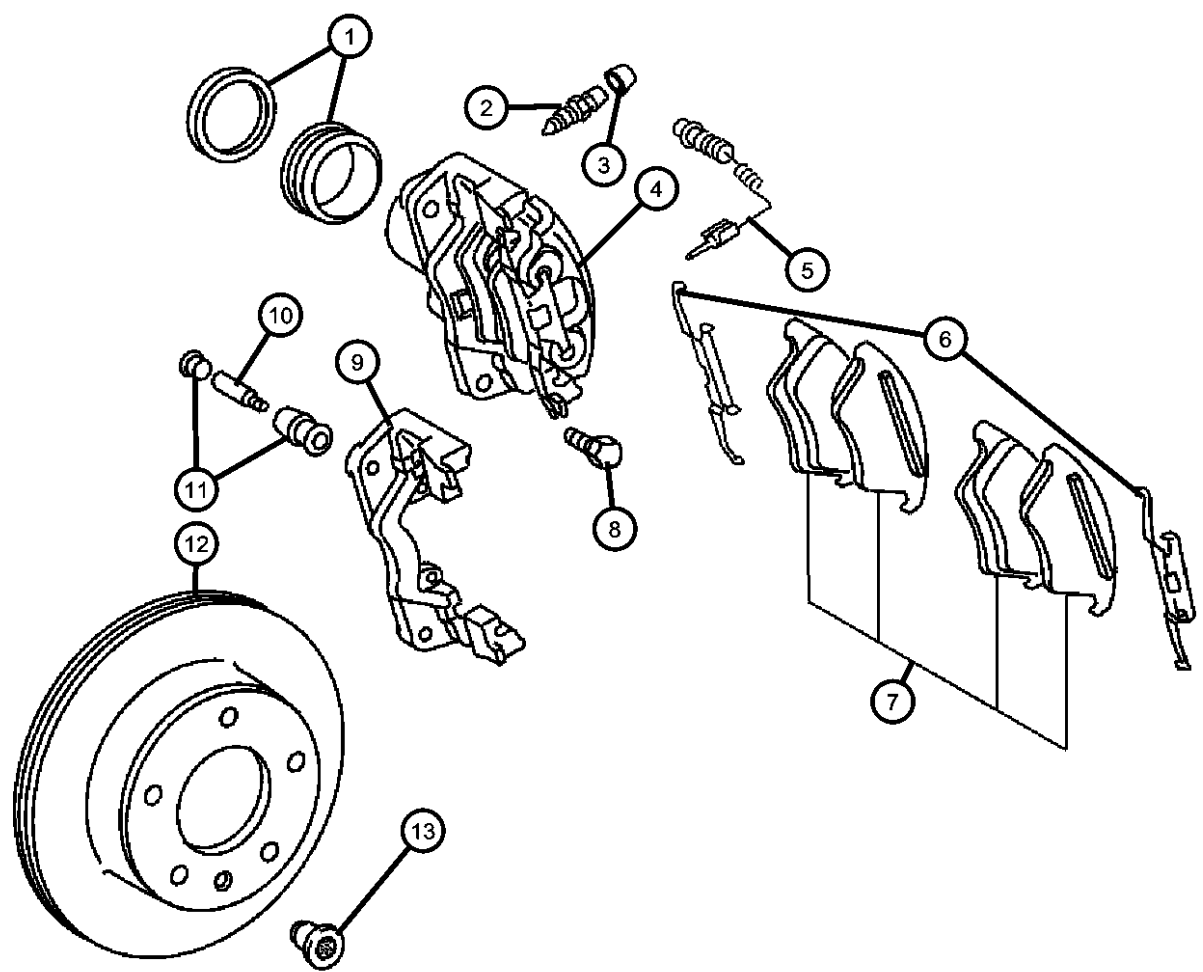
ENGINE
EX8 = 2.7L I5 Turbo Diesel Engine
EX9 = 2.7L I5 Mercedes-Benz TD Engine

TRANSMISSION
DGJ = 5-Speed Automatic MB Transmission
DGZ = 4-Spd. Automatic MT643 Transmission

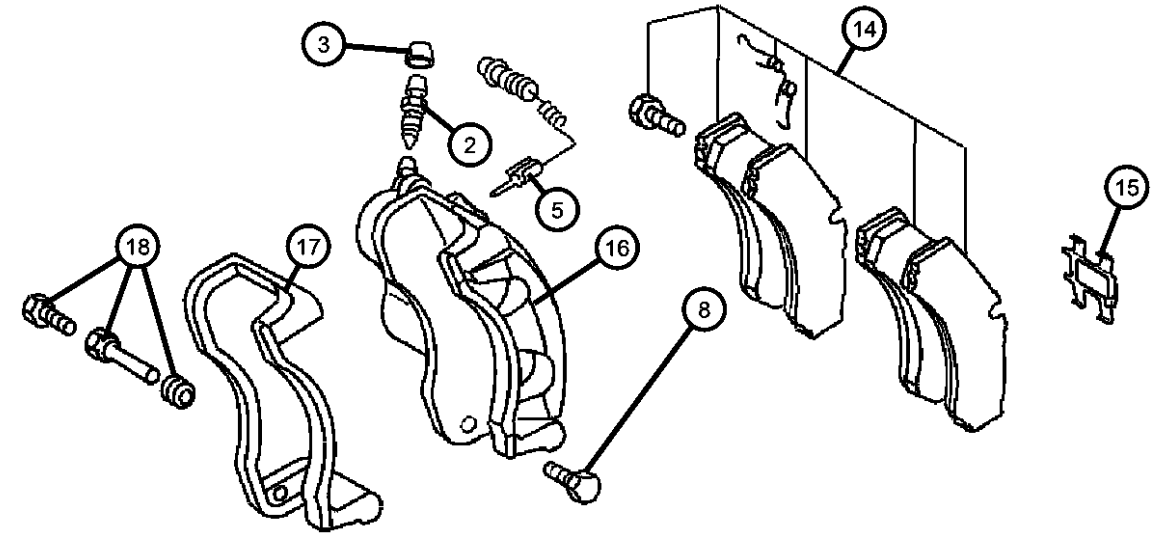
AR = use ase required - = Non illustrated part

2006 VA

Brakes, Front
Figure 5-110



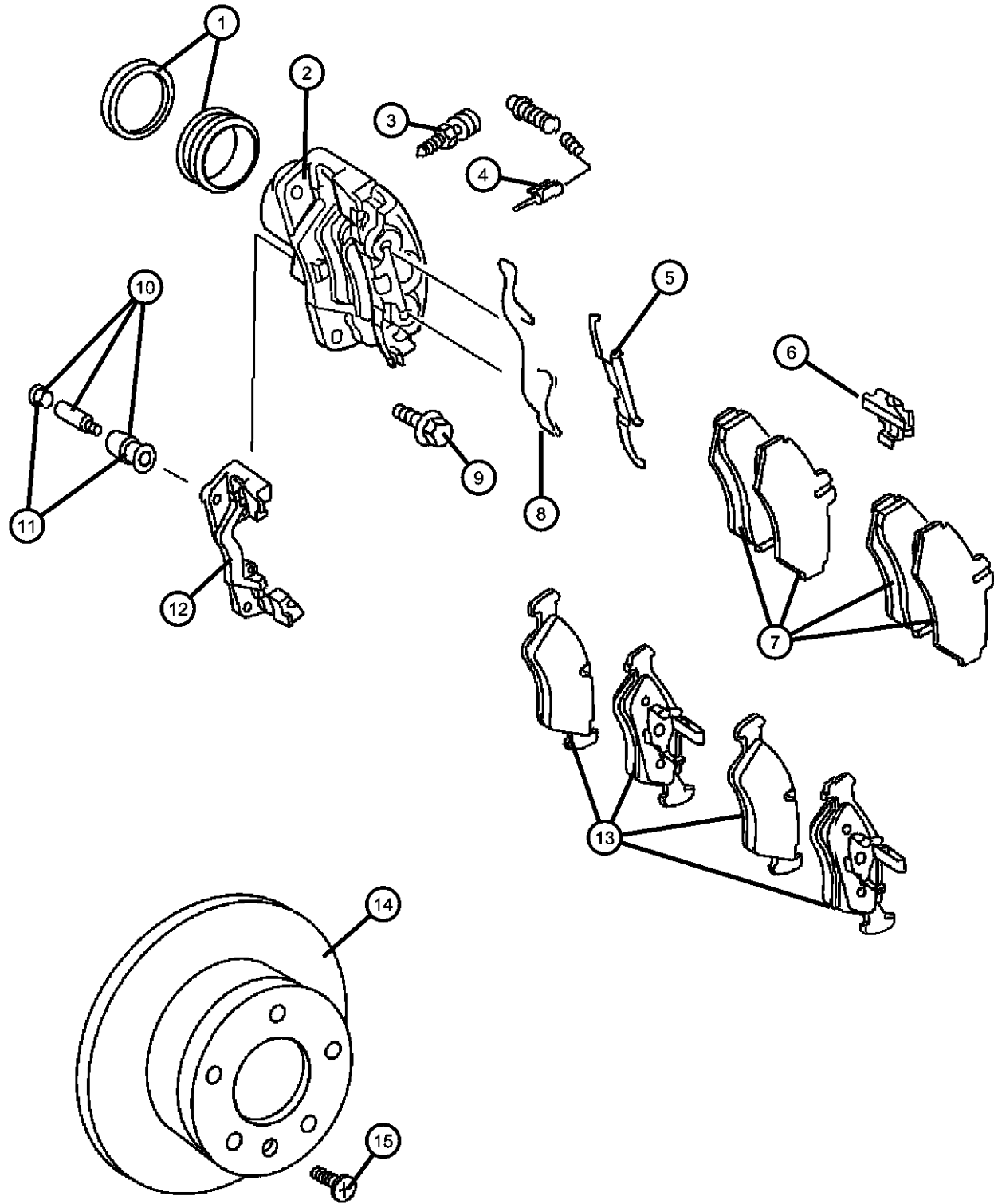
ITEM	PART NUMBER	QTY	LINE	SERIES	BODY	ENGINE	TRANS	TRIM	DESCRIPTION
	VVA14479AA								Make It New Brake Kit Front 2500 Bosch/Wabco Caliper 16" Wheel
	VVA03606AA								Make It New Brake Kit Rear 3500 15" Wheel
	05103790AA	1							Wabco/Perrot
	VP101790								Mopar V-Line Alternative Part
	VVA03602AA								Make it New Brake Kit Front 2500/3500 15" Front Wheel From Axle S482214/Y422060
	VVA14479AA								Make It New Brake Kit Front 2500 Bosch/Wabco Caliper 16" Wheel
	VVA03606AA								Make It New Brake Kit Rear 3500 15" Wheel
15	05103635AA	2							RETAINER, Brake Hold Down Spring
16									CALIPER, Disc Brake
	05127483AA	1							Bosch, Left
	05127482AA	1							Bosch, Right
17									ADAPTER, Disc Brake Caliper
	05135915AA	1							Bosch
	05135916AA	1							Wabco/Perrot
18									PIN KIT, Disc Brake
	05103630AA	1							Wabco/Perrot
	05103729AA	1							Bosch



SPRINTER (VA)		BODY		ENGINE		TRANSMISSION	
SERIES	LINE	01 = CHASSIS FORWARD CONTROL W.B.1		EX8 = 2.7L I5 Turbo Diesel Engine		DGJ = 5-Speed Automatic MB Transmission	
L = LOWLINE	3 = HD DODGE 2WD	02 = CAB CHASSIS WHEEL BASE 2		EX9 = 2.7L I5 Mercedes-Benz TD Engine		DGZ = 4-Spd. Automatic MT643 Transmission	
	8 = HD DODGE 4WD	06 = CAB CHASSIS WHEEL BASE 6					
	6 = Lt. Duty DODGE 4WD	11 = VAN WHEEL BASE 1					
	2 = Med. Duty DODGE 2WD	12 = VAN WHEEL BASE 2					
	7 = Med. Duty DODGE 4WD	51 = WAGON WHEEL BASE 1					
	4 = TRUCK	52 = WAGON WHEEL BASE 2					
		14 = VAN WHEEL BASE 4					
		15 = VAN WHEEL BASE 5					
		54 = WAGON WHEEL BASE 4					
		55 = WAGON WHEEL BASE 5					
		56 = WAGON WHEEL BASE 6					
		16 = VAN WHEEL BASE 6					

AR = use ase required - = Non illustrated part

Brakes,Rear,272MM
Figure 5-210



ITEM	PART NUMBER	QTY	LINE	SERIES	BODY	ENGINE	TRANS	TRIM	DESCRIPTION
------	-------------	-----	------	--------	------	--------	-------	------	-------------

Note: You must check the brand name on the old caliper to determine which one to order.
Note: On item 7, either part number can be used if this is the style on the vehicle.

1	05139263AA	1	2, 6						SEAL, Caliper Piston
	05139264AA	1	2, 6						Teves Bosch
2	05103741AA	1	2, 6						CALIPER, Disc Brake
	05103742AA	1	2, 6						Bosch, Left
	05135897AA	1	2, 6						Bosch, Right
	05135898AA	1	2, 6						Teves, Right
		1	2, 6						Teves, Left
3	05139245AA	1	2, 6						BLEEDER SCREW, Brake
	05139258AA	1	2, 6						Teves Bosch
4	05103583AB	2	2, 3, 6, 7						SENSOR, Brake wear
5	05139265AA	1	2, 3, 6, 7						SPRING, Retainer, Teves, Jurid, Right or Left
6	05103634AA	1	2, 6						CLIP, Brake Anti-Rattle
7	05103557AA	1	2, 6						PAD KIT, Disc Brake
	05139260AA	1	2, 6						Bosch, Ferodo Bosch, Jurid
8	05139266AA	1	2, 6						SPRING, Retainer, Teves, Textar, Right or Left
9	06104234AA	2	2, 6		01, 02, 06				SCREW
		2	2, 6		11, 12, 14, 15, 16				
		2	2, 6		51, 52, 54, 55, 56				
		2	3, 7		02, 06				
		2	3, 7		12, 15, 16				

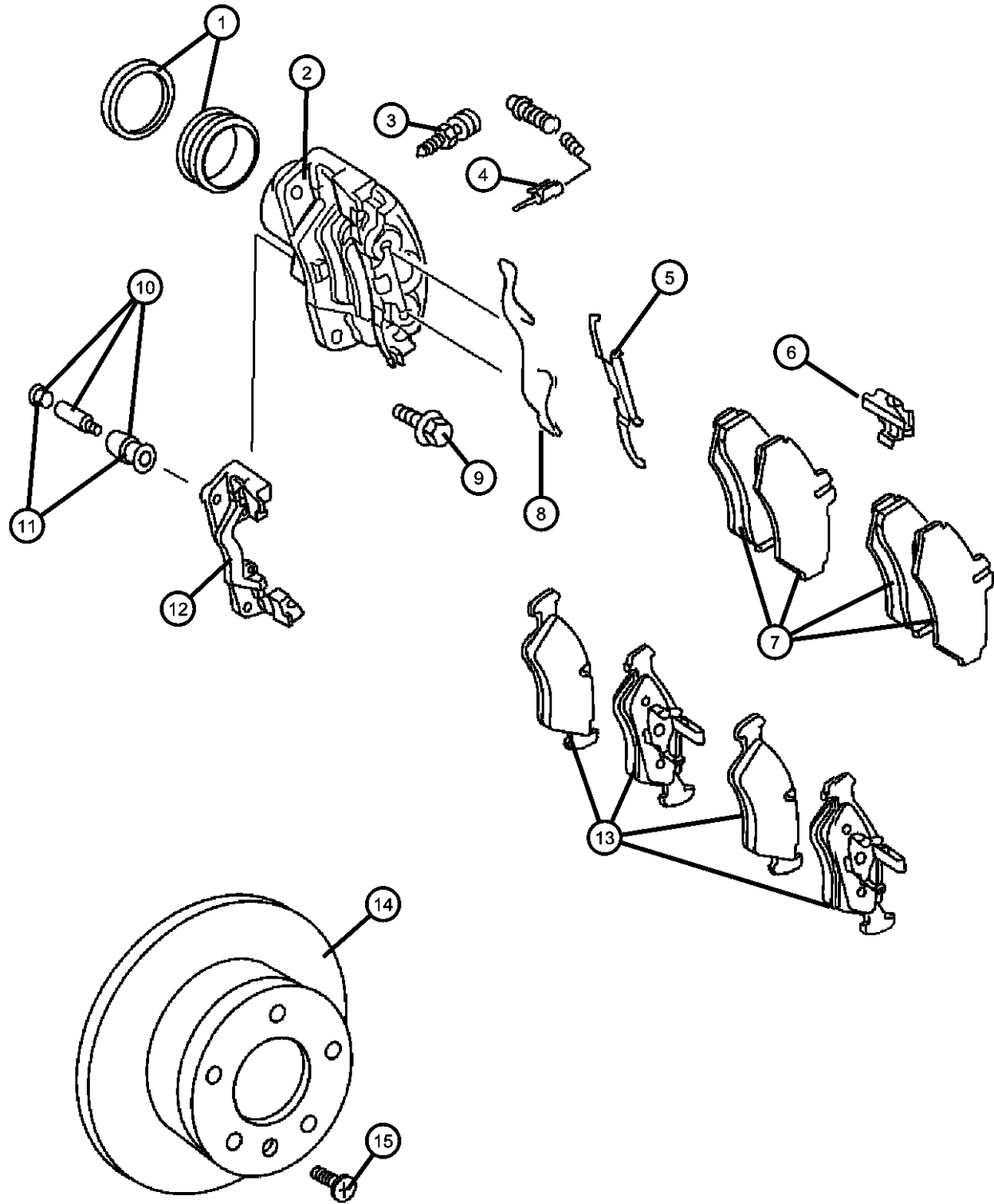
SPRINTER (VA)

SERIES	LINE	BODY	ENGINE	TRANSMISSION
L = LOWLINE	3 = HD DODGE 2WD 8 = HD DODGE 4WD 6 = Lt. Duty DODGE 4WD 2 = Med. Duty DODGE 2WD 7 = Med. Duty DODGE 4WD 4 = TRUCK	01 = CHASSIS FORWARD CONTROL W.B.1 02 = CAB CHASSIS WHEEL BASE 2 06 = CAB CHASSIS WHEEL BASE 6 11 = VAN WHEEL BASE 1 12 = VAN WHEEL BASE 2 51 = WAGON WHEEL BASE 1 52 = WAGON WHEEL BASE 2 14 = VAN WHEEL BASE 4 15 = VAN WHEEL BASE 5 54 = WAGON WHEEL BASE 4 55 = WAGON WHEEL BASE 5 56 = WAGON WHEEL BASE 6 16 = VAN WHEEL BASE 6	EX8 = 2.7L I5 Turbo Diesel Engine EX9 = 2.7L I5 Mercedes-Benz TD Engine	DGJ = 5-Speed Automatic MB Transmission DGZ = 4-Spd. Automatic MT643 Transmission

AR = use ase required - = Non illustrated part

2006 VA

Brakes,Rear,272MM
Figure 5-210



ITEM	PART NUMBER	QTY	LINE	SERIES	BODY	ENGINE	TRANS	TRIM	DESCRIPTION
10	05103632AA	1							PIN KIT, Disc Brake Teves
	05103729AA	1							Bosch
11	05114556AA	1							BUSHING, Caliper, Teves
12	05103633AA	1							ADAPTER, Disc Brake Caliper Bosch, Right or Left
	05135747AA	1							Teves, Right or Left
13	05103550AA	1	2, 3, 6, 7						PAD KIT, Disc Brake, Teves
	VVA03603AA								Make It New Brake Kit Rear 2500 16" Wheel
14	05103603AA	2	2, 6			11, 12, 14, 15, 16			ROTOR, Brake
	VVA03603AA								Make It New Brake Kit Rear 2500 16" Wheel
	VVA03603AA	2	2, 6			51, 52, 54, 55, 56			Make It New Brake Kit Rear 2500 16" Wheel
15	05139361AA	2							SCREW

SPRINTER (VA)

SERIES

L = LOWLINE

LINE

3 = HD DODGE 2WD
8 = HD DODGE 4WD
6 = Lt. Duty DODGE 4WD
2 = Med. Duty DODGE 2WD
7 = Med. Duty DODGE 4WD
4 = TRUCK

BODY

01 = CHASSIS FORWARD CONTROL W.B.1
02 = CAB CHASSIS WHEEL BASE 2
06 = CAB CHASSIS WHEEL BASE 6
11 = VAN WHEEL BASE 1
12 = VAN WHEEL BASE 2
51 = WAGON WHEEL BASE 1
52 = WAGON WHEEL BASE 2
14 = VAN WHEEL BASE 4
15 = VAN WHEEL BASE 5
54 = WAGON WHEEL BASE 4
55 = WAGON WHEEL BASE 5
56 = WAGON WHEEL BASE 6
16 = VAN WHEEL BASE 6

ENGINE

EX8 = 2.7L I5 Turbo Diesel Engine
EX9 = 2.7L I5 Mercedes-Benz TD Engine

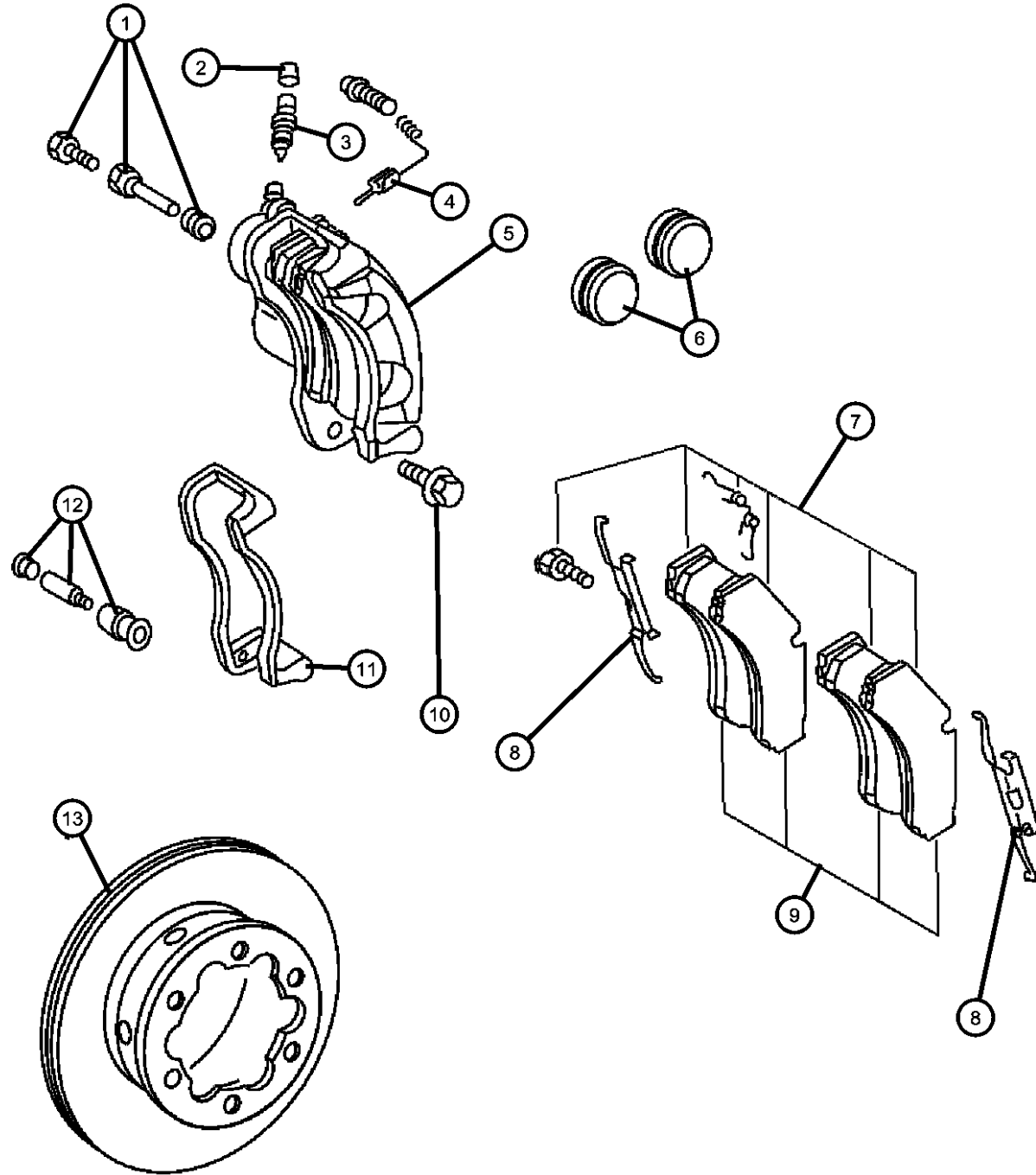
TRANSMISSION

DGJ = 5-Speed Automatic MB Transmission
DGZ = 4-Spd. Automatic MT643 Transmission

AR = use ase required - = Non illustrated part

2006 VA

Brakes,Rear,285MM
Figure 5-220



ITEM	PART NUMBER	QTY	LINE	SERIES	BODY	ENGINE	TRANS	TRIM	DESCRIPTION
------	-------------	-----	------	--------	------	--------	-------	------	-------------

Note: You must check the brand name on the old caliper to determine which one to order.

1	05103630AA	1							PIN KIT, Disc BrakeRight or Left
2	05126309AA	1	2, 3, 6, 7						CAP, Bleeder
3									BLEEDER SCREW, Brake
	05139258AA	1	2, 6						Bosch
	05139259AA	1							Perrot/Wabco,Textar
4	05103583AB	2	2, 3, 6, 7						SENSOR, Brake wearRight or Left
5									CALIPER, Disc Brake
	05135215AA	1							Wabco, Left
	05135917AA	1	3, 7						Bosch, Right
	05135918AA	1	3, 7						Bosch, Left
	05127486AA	1							Wabco, Right
6	05139261AA	1							SEAL, Caliper Piston, Bosch,Textar
7	05103790AA	1							PAD KIT, Disc Brake, Perrot/Wabco,Textar
	VP101790								Mopar V-Line Alternative Part
	VVA03602AA								Make it New Brake Kit Front 2500/3500 15" Front Wheel From Axle S482214/Y422060
	VVA14479AA								Make It New Brake Kit Front 2500 Bosch/Wabco Caliper 16" Wheel
	VVA03606AA								Make It New Brake Kit Rear 3500 15" Wheel
8	05103635AA	2							RETAINER, Brake Hold Down Spring, Bosch,Textar
9	05103556AA	1	2, 3, 6, 7						PAD KIT, Disc Brake, Bosch,Textar
	VP101790								Mopar V-Line Alternative Part
	VVA03602AA								Make it New Brake Kit Front 2500/3500 15" Front Wheel From Axle S482214/Y422060

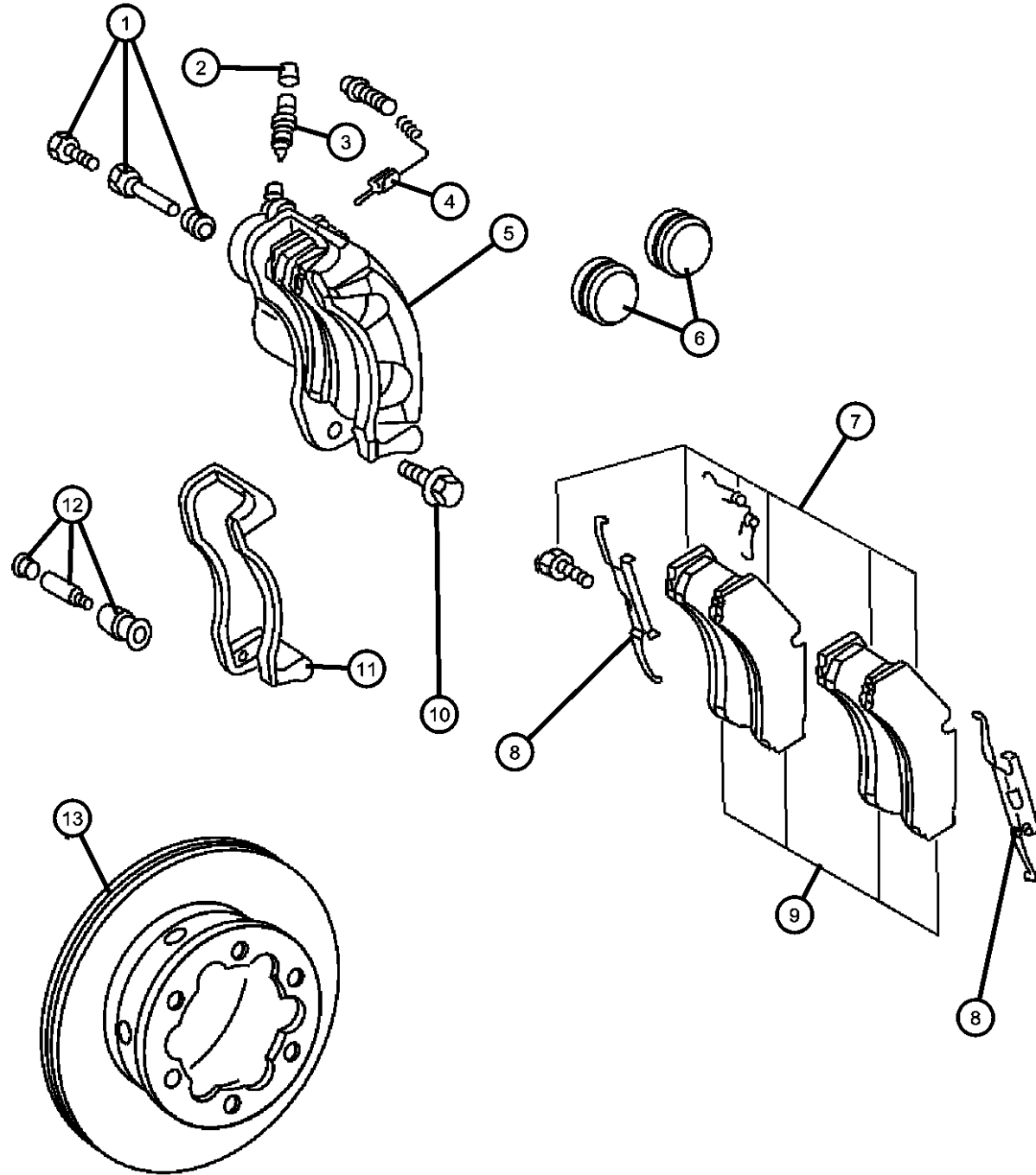
SPRINTER (VA)

SERIES	LINE	BODY	ENGINE	TRANSMISSION
L = LOWLINE	3 = HD DODGE 2WD 8 = HD DODGE 4WD 6 = Lt. Duty DODGE 4WD 2 = Med. Duty DODGE 2WD 7 = Med. Duty DODGE 4WD 4 = TRUCK	01 = CHASSIS FORWARD CONTROL W.B.1 02 = CAB CHASSIS WHEEL BASE 2 06 = CAB CHASSIS WHEEL BASE 6 11 = VAN WHEEL BASE 1 12 = VAN WHEEL BASE 2 51 = WAGON WHEEL BASE 1 52 = WAGON WHEEL BASE 2 14 = VAN WHEEL BASE 4 15 = VAN WHEEL BASE 5 54 = WAGON WHEEL BASE 4 55 = WAGON WHEEL BASE 5 56 = WAGON WHEEL BASE 6 16 = VAN WHEEL BASE 6	EX8 = 2.7L I5 Turbo Diesel Engine EX9 = 2.7L I5 Mercedes-Benz TD Engine	DGJ = 5-Speed Automatic MB Transmission DGZ = 4-Spd. Automatic MT643 Transmission

AR = use ase required - = Non illustrated part

2006 VA

Brakes,Rear,285MM
Figure 5-220



ITEM	PART NUMBER	QTY	LINE	SERIES	BODY	ENGINE	TRANS	TRIM	DESCRIPTION
	VVA14479AA								Make It New Brake Kit Front 2500 Bosch/Wabco Caliper 16" Wheel
	VVA03606AA								Make It New Brake Kit Rear 3500 15" Wheel
10	05139464AA	4							SCREW
11	05135915AA	1							ADAPTER, Disc Brake Caliper Bosch, Right or Left
	05135916AA	1							Wabco, Right or Left
12	05103729AA	1							PIN KIT, Disc Brake, Teilesatz,Bosch
13									ROTOR, Brake
	05103603AA	2	2, 6		11, 12, 14, 15, 16				
	VVA03603AA								Make It New Brake Kit Rear 2500 16" Wheel
		2	2, 6		51, 52, 54, 55, 56				
	VVA03603AA								Make It New Brake Kit Rear 2500 16" Wheel
	05103606AA	2	3, 7						
	VVA03606AA								Make It New Brake Kit Rear 3500 15" Wheel

SPRINTER (VA)

SERIES
L = LOWLINE

LINE
3 = HD DODGE 2WD
8 = HD DODGE 4WD
6 = Lt. Duty DODGE 4WD
2 = Med. Duty DODGE 2WD
7 = Med. Duty DODGE 4WD
4 = TRUCK

BODY

01 = CHASSIS FORWARD CONTROL W.B.1
02 = CAB CHASSIS WHEEL BASE 2
06 = CAB CHASSIS WHEEL BASE 6
11 = VAN WHEEL BASE 1
12 = VAN WHEEL BASE 2
51 = WAGON WHEEL BASE 1
52 = WAGON WHEEL BASE 2
14 = VAN WHEEL BASE 4
15 = VAN WHEEL BASE 5
54 = WAGON WHEEL BASE 4
55 = WAGON WHEEL BASE 5
56 = WAGON WHEEL BASE 6
16 = VAN WHEEL BASE 6

ENGINE

EX8 = 2.7L I5 Turbo Diesel Engine
EX9 = 2.7L I5 Mercedes-Benz TD Engine

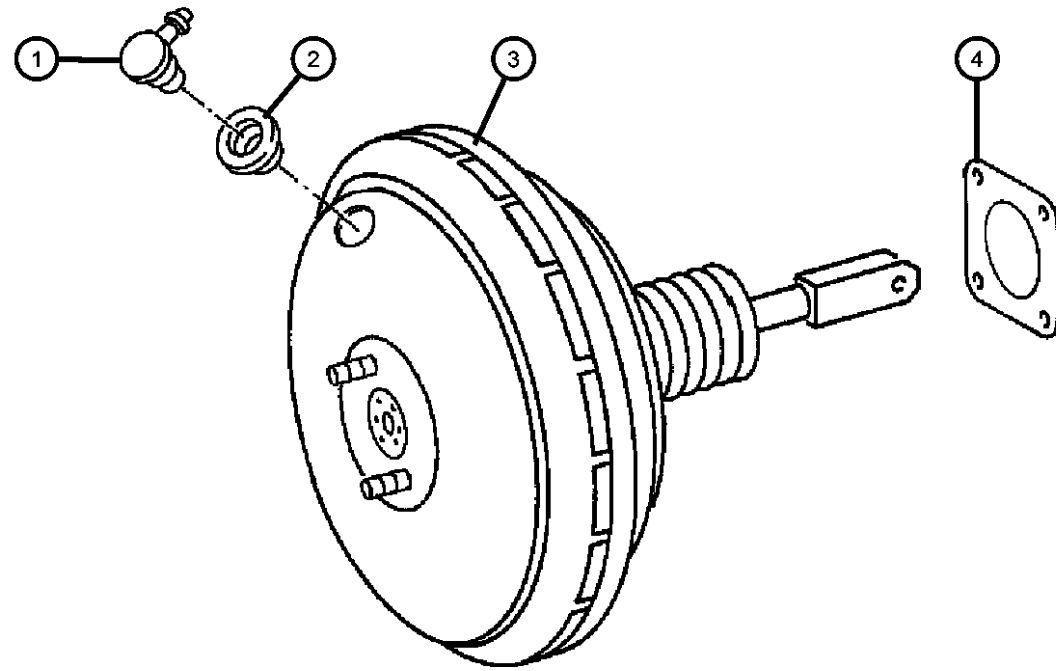
TRANSMISSION

DGJ = 5-Speed Automatic MB Transmission
DGZ = 4-Spd. Automatic MT643 Transmission

AR = use ase required - = Non illustrated part

2006 VA

Booster
Figure 5-310



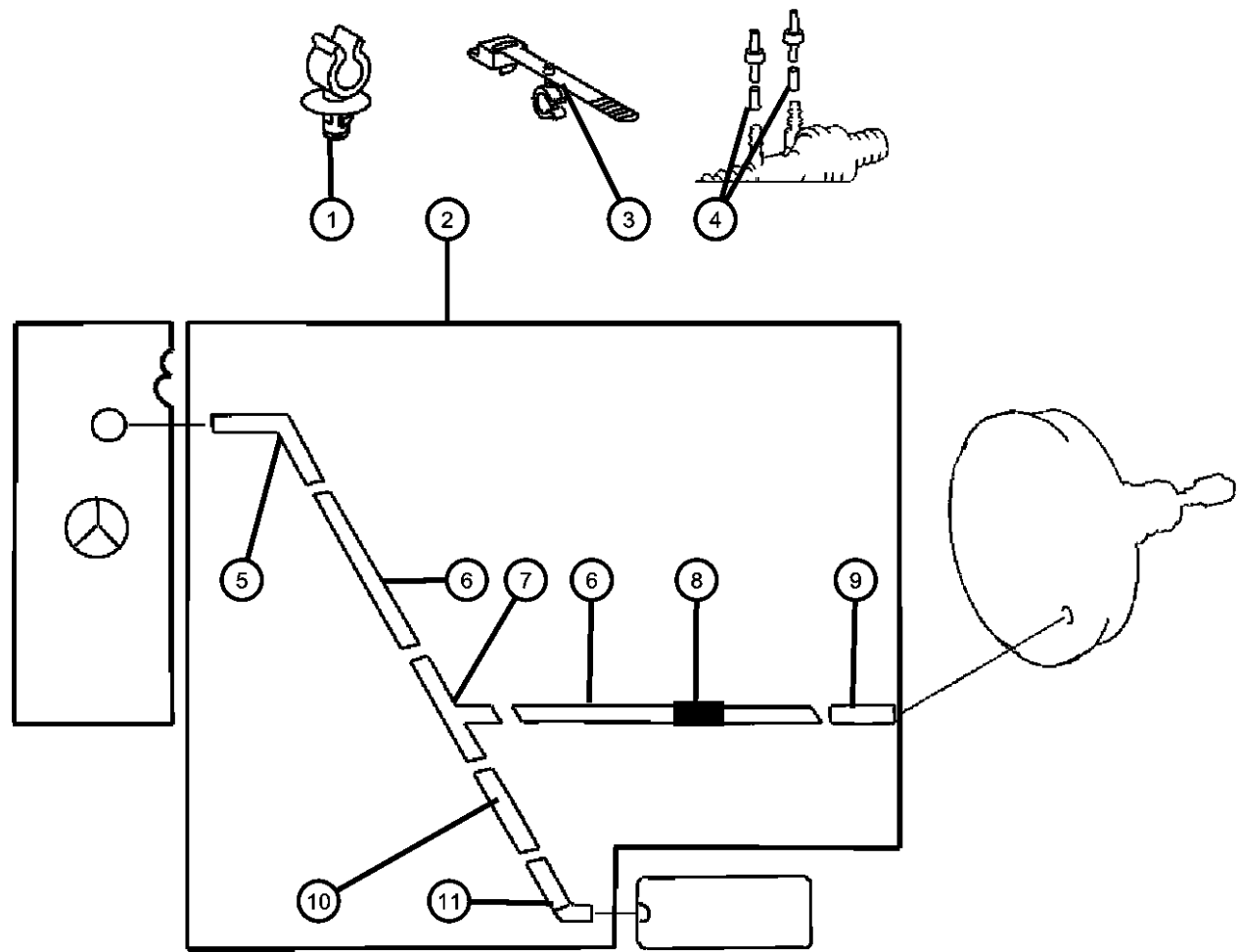
ITEM	PART NUMBER	QTY	LINE	SERIES	BODY	ENGINE	TRANS	TRIM	DESCRIPTION
1									VALVE, Brake Booster Check
	05119362AA	1	2, 6		01, 02, 06				
		1	2, 6		11, 12, 14, 15, 16				
		1	2, 6		51, 52, 54, 55, 56				
		1	3, 7		02, 06				
		1	3, 7		12, 15, 16				
2									GASKET
	05133696AA	1	2, 6		01, 02, 06				Vacuum Line to Booster
		1	2, 6		11, 12, 14, 15, 16				Vacuum Line to Booster
		1	2, 6		51, 52, 54, 55, 56				Vacuum Line to Booster
		1	3, 7		02, 06				Vacuum Line to Booster
		1	3, 7		12, 15, 16				Vacuum Line to Booster
3									BOOSTER, Power Brake
	05119372AA	1	2, 6		01, 02, 06				
		1	2, 6		11, 12, 14, 15, 16				
		1	2, 6		51, 52, 54, 55, 56				
		1	3, 7		02, 06				
		1	3, 7		12, 15, 16				
4									GASKET, Booster To Dash
	05119386AA	1	2, 6		01, 02, 06				
		1	2, 6		11, 12, 14, 15, 16				
		1	2, 6		51, 52, 54, 55, 56				
		1	3, 7		02, 06				
		1	3, 7		12, 15, 16				

SPRINTER (VA)

SERIES	LINE	BODY	ENGINE	TRANSMISSION
L = LOWLINE	3 = HD DODGE 2WD	01 = CHASSIS FORWARD CONTROL W.B.1	EX8 = 2.7L I5 Turbo Diesel Engine	DGJ = 5-Speed Automatic MB Transmission
	8 = HD DODGE 4WD	02 = CAB CHASSIS WHEEL BASE 2	EX9 = 2.7L I5 Mercedes-Benz TD Engine	DGZ = 4-Spd. Automatic MT643 Transmission
	6 = Lt. Duty DODGE 4WD	06 = CAB CHASSIS WHEEL BASE 6		
	2 = Med. Duty DODGE 2WD	11 = VAN WHEEL BASE 1		
	7 = Med. Duty DODGE 4WD	12 = VAN WHEEL BASE 2		
	4 = TRUCK	51 = WAGON WHEEL BASE 1		
		52 = WAGON WHEEL BASE 2		
		14 = VAN WHEEL BASE 4		
		15 = VAN WHEEL BASE 5		
		54 = WAGON WHEEL BASE 4		
		55 = WAGON WHEEL BASE 5		
		56 = WAGON WHEEL BASE 6		
		16 = VAN WHEEL BASE 6		

AR = use ase required - = Non illustrated part

Vacuum Lines
Figure 5-320



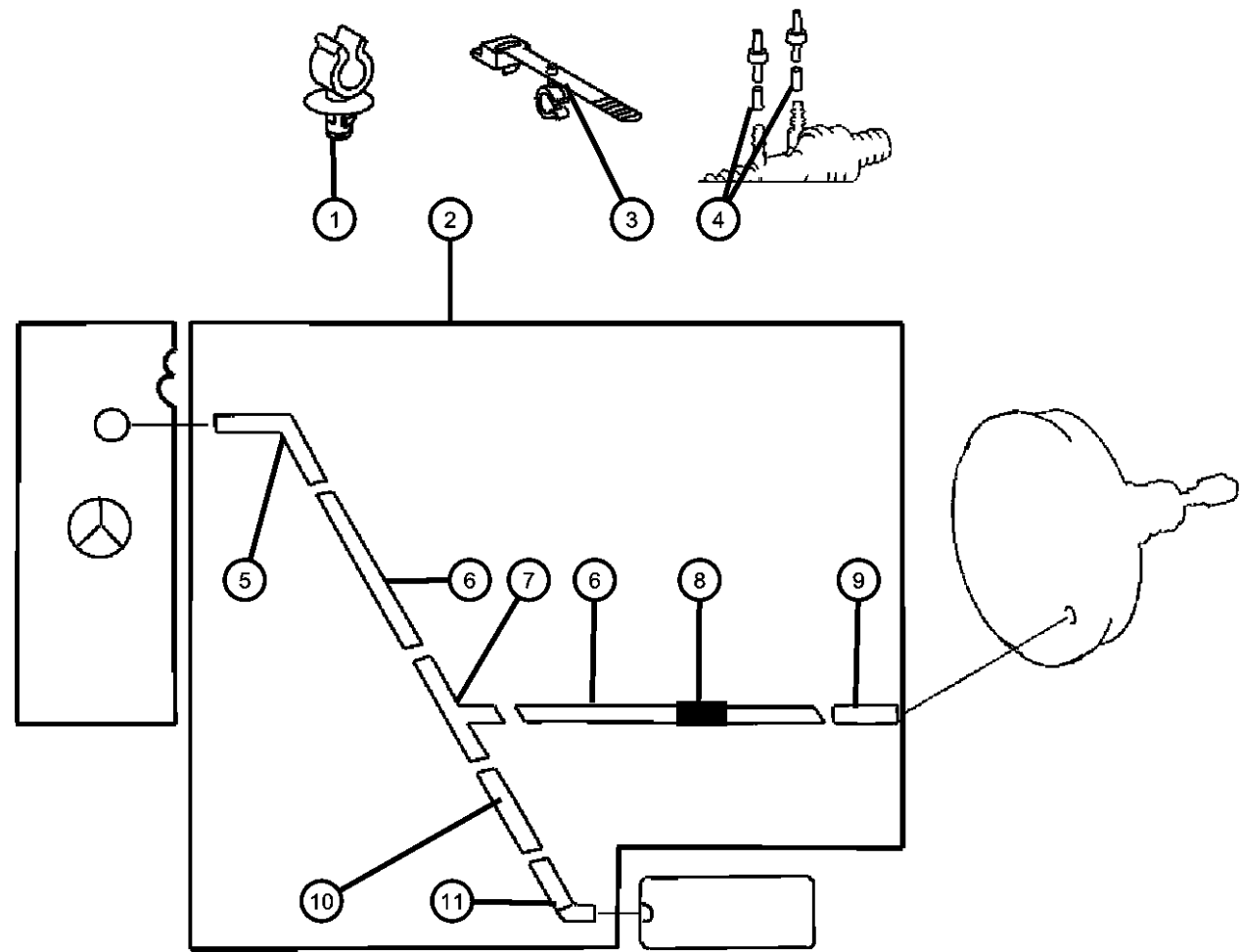
ITEM	PART NUMBER	QTY	LINE	SERIES	BODY	ENGINE	TRANS	TRIM	DESCRIPTION
1	05125578AA	2	3, 7		12, 15, 16				CLIP, Brake Line
		2	3, 7		02, 06				
2	05119349AA	1	3, 7		02, 06				HARNESS, Vacuum
		1	3, 7		12, 15, 16				
	05129239AA	1	2, 6		01, 02, 06				
		1	2, 6		11, 12, 14, 15, 16				
		1	2, 6		51, 52, 54, 55, 56				
3	06104770AA	1	2, 6		01, 02, 06				STRAP
		1	2, 6		11, 12, 14, 15, 16				
		1	2, 6		51, 52, 54, 55, 56				
		1	3, 7		02, 06				
		1	3, 7		12, 15, 16				
4	05080390AA	1	2, 6		01, 02, 06				HOSE
		1	2, 6		51, 52, 54, 55, 56				
		1	3, 7		02, 06				
		1	3, 7		12, 15, 16				
		1	2, 6		11, 12, 14, 15, 16				
5	05126007AA	1	2, 6		01, 02, 06				CONNECTOR
		1	2, 6		11, 12, 14, 15, 16				

SPRINTER (VA)

SERIES	LINE	BODY	ENGINE	TRANSMISSION
L = LOWLINE	3 = HD DODGE 2WD 8 = HD DODGE 4WD 6 = Lt. Duty DODGE 4WD 2 = Med. Duty DODGE 2WD 7 = Med. Duty DODGE 4WD 4 = TRUCK	01 = CHASSIS FORWARD CONTROL W.B.1 02 = CAB CHASSIS WHEEL BASE 2 06 = CAB CHASSIS WHEEL BASE 6 11 = VAN WHEEL BASE 1 12 = VAN WHEEL BASE 2 51 = WAGON WHEEL BASE 1 52 = WAGON WHEEL BASE 2 14 = VAN WHEEL BASE 4 15 = VAN WHEEL BASE 5 54 = WAGON WHEEL BASE 4 55 = WAGON WHEEL BASE 5 56 = WAGON WHEEL BASE 6 16 = VAN WHEEL BASE 6	EX8 = 2.7L I5 Turbo Diesel Engine EX9 = 2.7L I5 Mercedes-Benz TD Engine	DGJ = 5-Speed Automatic MB Transmission DGZ = 4-Spd. Automatic MT643 Transmission

AR = use ase required - = Non illustrated part

Vacuum Lines
Figure 5-320



ITEM	PART NUMBER	QTY	LINE	SERIES	BODY	ENGINE	TRANS	TRIM	DESCRIPTION
		1	2, 6		51, 52, 54, 55, 56				
		1	3, 7		02, 06				
		1	3, 7		12, 15, 16				
6									HOSE, Vacuum
	05119395AA	1	2, 6		11, 12, 14, 15, 16				
		1	2, 6		51, 52, 54, 55, 56				
		1	3, 7		02, 06				
		1	3, 7		12, 15, 16				
		1	2, 6		01, 02, 06				
7									TEE, Vacuum hose
	05119363AA	1	3, 7		02, 06				
		1	3, 7		12, 15, 16				
8									WASHER
	05125507AB	2	2, 6		01, 02, 06				5 Meters Long
		2	2, 6		11, 12, 14, 15, 16				5 Meters Long
		2	2, 6		51, 52, 54, 55, 56				5 Meters Long
		2	3, 7		12, 15, 16				5 Meters Long
		200	3, 7		02, 06				5 Meters Long
9									VALVE, Brake Booster Check
	05119362AA	1	2, 6		01, 02, 06				
		1	2, 6		11, 12, 14, 15, 16				
		1	2, 6		51, 52, 54, 55, 56				
		1	3, 7		02, 06				
		1	3, 7		12, 15, 16				

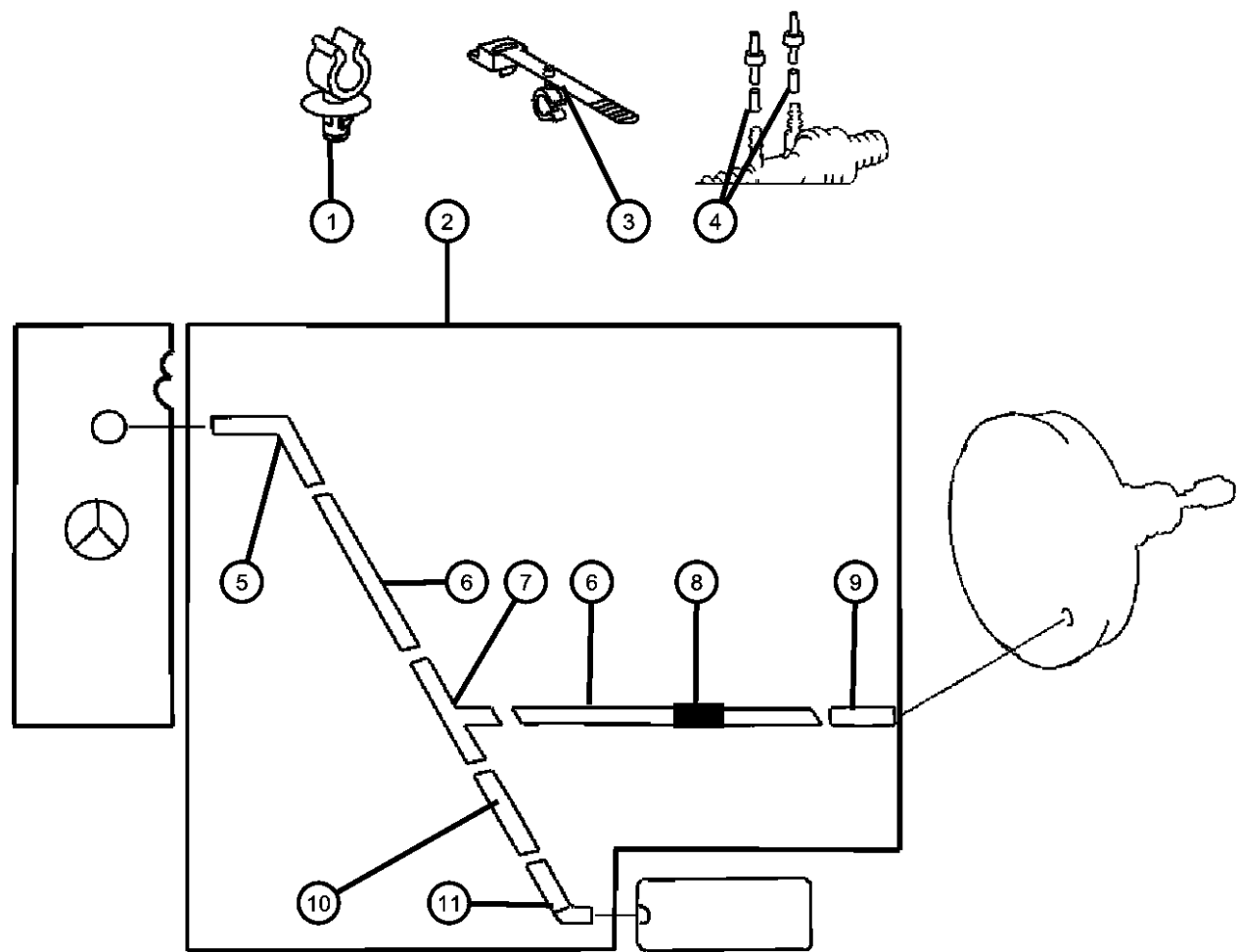
SPRINTER (VA)

SERIES	LINE	BODY	ENGINE	TRANSMISSION
L = LOWLINE	3 = HD DODGE 2WD 8 = HD DODGE 4WD 6 = Lt. Duty DODGE 4WD 2 = Med. Duty DODGE 2WD 7 = Med. Duty DODGE 4WD 4 = TRUCK	01 = CHASSIS FORWARD CONTROL W.B.1 02 = CAB CHASSIS WHEEL BASE 2 06 = CAB CHASSIS WHEEL BASE 6 11 = VAN WHEEL BASE 1 12 = VAN WHEEL BASE 2 51 = WAGON WHEEL BASE 1 52 = WAGON WHEEL BASE 2 14 = VAN WHEEL BASE 4 15 = VAN WHEEL BASE 5 54 = WAGON WHEEL BASE 4 55 = WAGON WHEEL BASE 5 56 = WAGON WHEEL BASE 6 16 = VAN WHEEL BASE 6	EX8 = 2.7L I5 Turbo Diesel Engine EX9 = 2.7L I5 Mercedes-Benz TD Engine	DGJ = 5-Speed Automatic MB Transmission DGZ = 4-Spd. Automatic MT643 Transmission

AR = use ase required - = Non illustrated part

Vacuum Lines
Figure 5-320

ITEM	PART NUMBER	QTY	LINE	SERIES	BODY	ENGINE	TRANS	TRIM	DESCRIPTION
10	05119392AA	1							HOSE, Vacuum
11	05125804AA	1	3, 7		02, 06				COUPLING, Male
		1	3, 7		12, 15, 16				
-12	05098383AA	1	2, 3, 6, 7						CAP, Nut



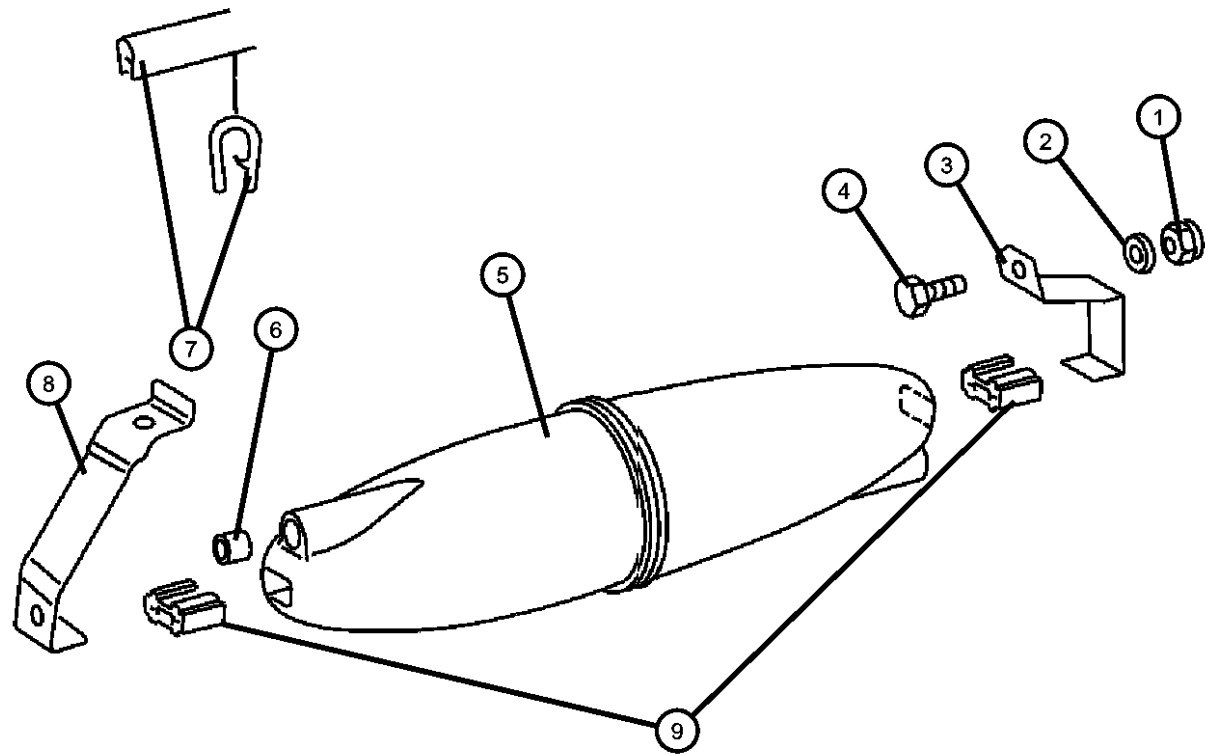
SPRINTER (VA)

SERIES	LINE	BODY	ENGINE	TRANSMISSION
L = LOWLINE	3 = HD DODGE 2WD 8 = HD DODGE 4WD 6 = Lt. Duty DODGE 4WD 2 = Med. Duty DODGE 2WD 7 = Med. Duty DODGE 4WD 4 = TRUCK	01 = CHASSIS FORWARD CONTROL W.B.1 02 = CAB CHASSIS WHEEL BASE 2 06 = CAB CHASSIS WHEEL BASE 6 11 = VAN WHEEL BASE 1 12 = VAN WHEEL BASE 2 51 = WAGON WHEEL BASE 1 52 = WAGON WHEEL BASE 2 14 = VAN WHEEL BASE 4 15 = VAN WHEEL BASE 5 54 = WAGON WHEEL BASE 4 55 = WAGON WHEEL BASE 5 56 = WAGON WHEEL BASE 6 16 = VAN WHEEL BASE 6	EX8 = 2.7L I5 Turbo Diesel Engine EX9 = 2.7L I5 Mercedes-Benz TD Engine	DGJ = 5-Speed Automatic MB Transmission DGZ = 4-Spd. Automatic MT643 Transmission

AR = use ase required - = Non illustrated part

2006 VA

Vacuum Reservoir
Figure 5-330



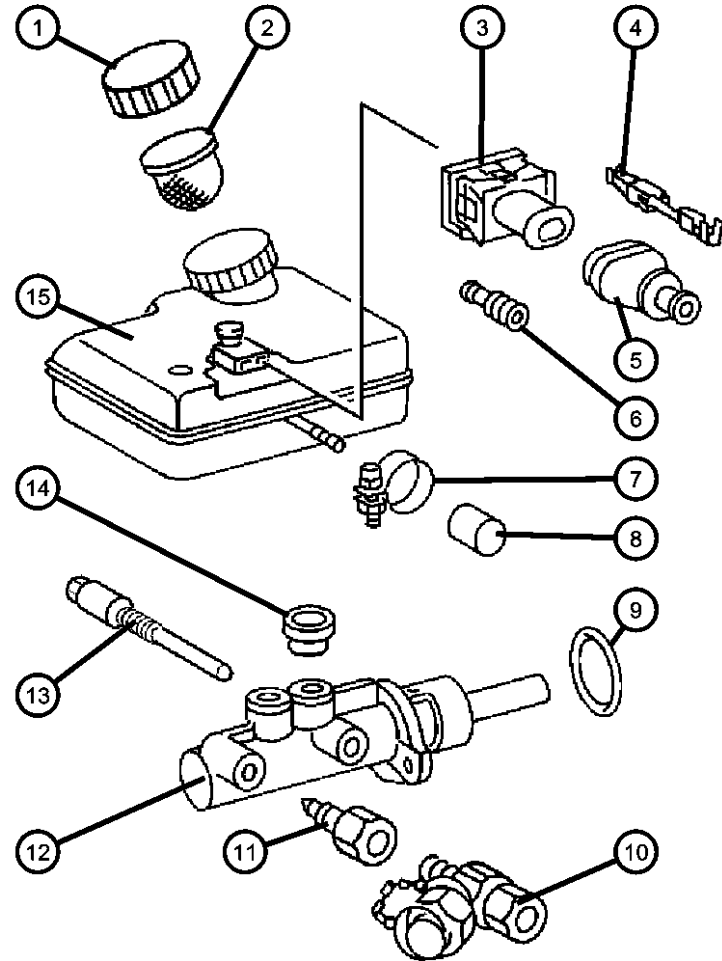
ITEM	PART NUMBER	QTY	LINE	SERIES	BODY	ENGINE	TRANS	TRIM	DESCRIPTION
1									NUT, Hex
	05126237AA	2	3, 7		02, 06				
		2	3, 7		12, 15, 16				
2		2							WASHER, Flat, M8, (NOT SERVICED)
3									BRACKET, Vacuum Reservoir
	05119388AA	1	3, 7		02, 06				
		1	3, 7		15, 16, 12				
4									BOLT
	05104655AA	2	3, 7		02, 06				
		2	3, 7		12, 15, 16				
5									RESERVOIR, Vacuum
	05119357AA	1	3, 7		02, 06				
		1	3, 7		12, 15, 16				
6									SEAL, Vacuum Line
	05119400AA	1	3, 7		02, 06				
		1	3, 7		12, 15, 16				
7									GUARD, Edge
	05132721AA	100	3, 7		02, 06				10 Meters Long
		100	3, 7		12, 15, 16				10 Meters Long
8									BRACKET, Vacuum Reservoir
	05119388AA	1	3, 7		02, 06				
		1	3, 7		12, 15, 16				
9									ISOLATOR
	05125498AA	2	3, 7		02, 06				
		2	3, 7		12, 15, 16				

SPRINTER (VA)

SERIES	LINE	BODY	ENGINE	TRANSMISSION
L = LOWLINE	3 = HD DODGE 2WD 8 = HD DODGE 4WD 6 = Lt. Duty DODGE 4WD 2 = Med. Duty DODGE 2WD 7 = Med. Duty DODGE 4WD 4 = TRUCK	01 = CHASSIS FORWARD CONTROL W.B.1 02 = CAB CHASSIS WHEEL BASE 2 06 = CAB CHASSIS WHEEL BASE 6 11 = VAN WHEEL BASE 1 12 = VAN WHEEL BASE 2 51 = WAGON WHEEL BASE 1 52 = WAGON WHEEL BASE 2 14 = VAN WHEEL BASE 4 15 = VAN WHEEL BASE 5 54 = WAGON WHEEL BASE 4 55 = WAGON WHEEL BASE 5 56 = WAGON WHEEL BASE 6 16 = VAN WHEEL BASE 6	EX8 = 2.7L I5 Turbo Diesel Engine EX9 = 2.7L I5 Mercedes-Benz TD Engine	DGJ = 5-Speed Automatic MB Transmission DGZ = 4-Spd. Automatic MT643 Transmission

AR = use ase required - = Non illustrated part

**Master Cylinder
Figure 5-410**



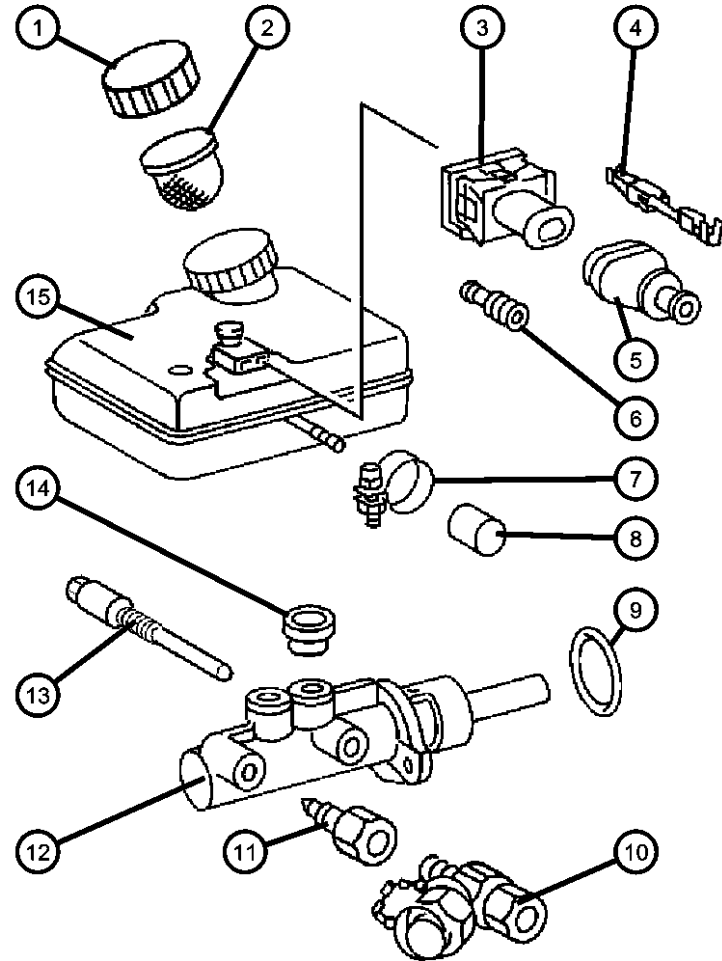
ITEM	PART NUMBER	QTY	LINE	SERIES	BODY	ENGINE	TRANS	TRIM	DESCRIPTION
Note: Sales Codes: [4DR]=Weight Variant 3.88T									
1	05098710AA	1	2, 6		01, 02, 06				CAP, Master Cylinder Reservoir
		1	2, 6		11, 12, 14, 15, 16				
		1	2, 6		51, 52, 54, 55, 56				
		1	3, 7		02, 06				
		1	3, 7		12, 15, 16				
2	05119374AA	1	2, 6		01, 02, 06				FILTER, Brake Master Cylinder
		1	2, 6		11, 12, 14, 15, 16				
		1	2, 6		51, 52, 54, 55, 56				
		1	3, 7		02, 06				
		1	3, 7		12, 15, 16				
3	05120749AA	1	2, 6		01, 02, 06				CONNECTOR
		1	2, 6		11, 12, 14, 15, 16				
		1	2, 6		51, 52, 54, 55, 56				
		1	3, 7		02, 06				
		1	3, 7		12, 15, 16				
4	05103880AA	99	2, 6		01, 02, 06				TERMINAL
		99	2, 6		11, 12, 14, 15, 16				
		99	2, 6		51, 52, 54, 55, 56				
		99	3, 7		02, 06				

SPRINTER (VA)

SERIES	LINE	BODY	ENGINE	TRANSMISSION
L = LOWLINE	3 = HD DODGE 2WD 8 = HD DODGE 4WD 6 = Lt. Duty DODGE 4WD 2 = Med. Duty DODGE 2WD 7 = Med. Duty DODGE 4WD 4 = TRUCK	01 = CHASSIS FORWARD CONTROL W.B.1 02 = CAB CHASSIS WHEEL BASE 2 06 = CAB CHASSIS WHEEL BASE 6 11 = VAN WHEEL BASE 1 12 = VAN WHEEL BASE 2 51 = WAGON WHEEL BASE 1 52 = WAGON WHEEL BASE 2 14 = VAN WHEEL BASE 4 15 = VAN WHEEL BASE 5 54 = WAGON WHEEL BASE 4 55 = WAGON WHEEL BASE 5 56 = WAGON WHEEL BASE 6 16 = VAN WHEEL BASE 6	EX8 = 2.7L I5 Turbo Diesel Engine EX9 = 2.7L I5 Mercedes-Benz TD Engine	DGJ = 5-Speed Automatic MB Transmission DGZ = 4-Spd. Automatic MT643 Transmission

AR = use ase required - = Non illustrated part

Master Cylinder
Figure 5-410



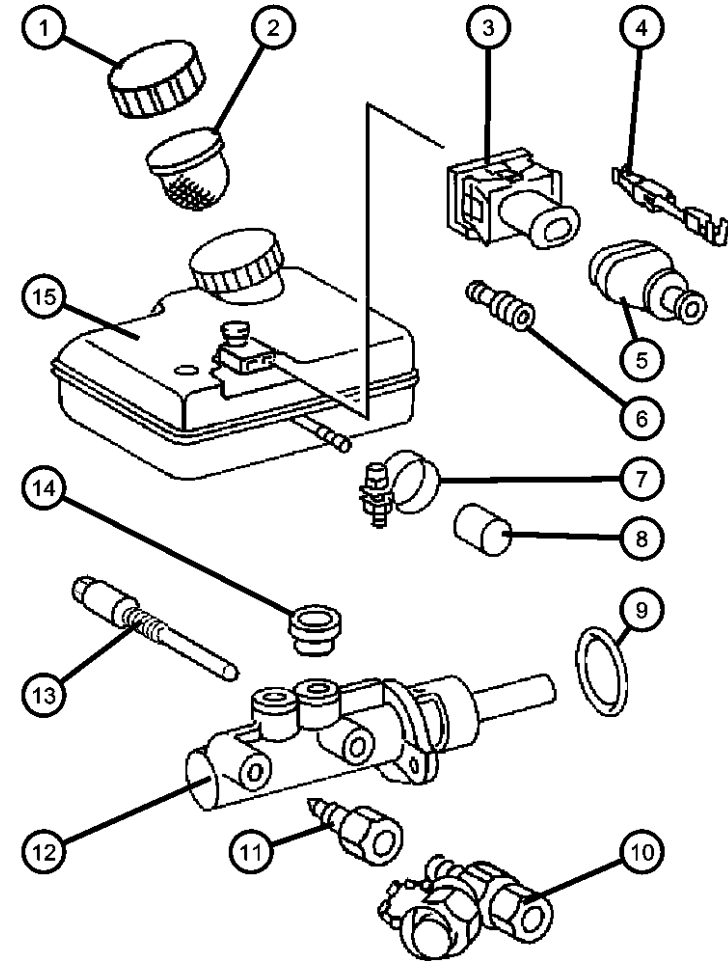
ITEM	PART NUMBER	QTY	LINE	SERIES	BODY	ENGINE	TRANS	TRIM	DESCRIPTION
5		99	3, 7		12, 15, 16				BOOT
	05120881AA	1	2, 6		01, 02, 06				
		1	2, 6		11, 12, 14, 15, 16				
		1	2, 6		51, 52, 54, 55, 56				
		1	3, 7		02, 06				
		1	3, 7		12, 15, 16				
6	05103661AA	1	2, 6		01, 02, 06				GASKET
		1	2, 6		11, 12, 14, 15, 16				
		1	2, 6		51, 52, 54, 55, 56				
		1	3, 7		02, 06				
		1	3, 7		12, 15, 16				
7	05080440AB	1	2, 6		01, 02, 06				CLAMP
		1	2, 6		11, 12, 14, 15, 16				
		1	2, 6		51, 52, 54, 55, 56				
		1	3, 7		02, 06				
		1	3, 7		12, 15, 16				
8	05119387AA	1	2, 6		01, 02, 06				CAP
		1	2, 6		11, 12, 14, 15, 16				
		1	2, 6		51, 52, 54, 55, 56				
		1	3, 7		02, 06				

SPRINTER (VA)

SERIES	LINE	BODY	ENGINE	TRANSMISSION
L = LOWLINE	3 = HD DODGE 2WD 8 = HD DODGE 4WD 6 = Lt. Duty DODGE 4WD 2 = Med. Duty DODGE 2WD 7 = Med. Duty DODGE 4WD 4 = TRUCK	01 = CHASSIS FORWARD CONTROL W.B.1 02 = CAB CHASSIS WHEEL BASE 2 06 = CAB CHASSIS WHEEL BASE 6 11 = VAN WHEEL BASE 1 12 = VAN WHEEL BASE 2 51 = WAGON WHEEL BASE 1 52 = WAGON WHEEL BASE 2 14 = VAN WHEEL BASE 4 15 = VAN WHEEL BASE 5 54 = WAGON WHEEL BASE 4 55 = WAGON WHEEL BASE 5 56 = WAGON WHEEL BASE 6 16 = VAN WHEEL BASE 6	EX8 = 2.7L I5 Turbo Diesel Engine EX9 = 2.7L I5 Mercedes-Benz TD Engine	DGJ = 5-Speed Automatic MB Transmission DGZ = 4-Spd. Automatic MT643 Transmission

AR = use ase required - = Non illustrated part

Master Cylinder
Figure 5-410



ITEM	PART NUMBER	QTY	LINE	SERIES	BODY	ENGINE	TRANS	TRIM	DESCRIPTION
9		1	3, 7		12, 15, 16				GASKET
	05133696AA	1	2, 6		01, 02, 06				
		1	2, 6		11, 12, 14, 15, 16				
		1	2, 6		51, 52, 54, 55, 56				
		1	3, 7		02, 06				
		1	3, 7		12, 15, 16				
10									TEST, Heat treated hex head
	05103640AA	2	2, 6		01, 02, 06				
		2	2, 6		11, 12, 14, 15, 16				
		2	2, 6		51, 52, 54, 55, 56				
		2	3, 7		02, 06				
		2	3, 7		12, 15, 16				
11		2							FITTING, (NOT SERVICED)
12									CYLINDER, Brake Master
	05119354AA	1	2, 6		01, 02, 06				With [4DR]
		1	2, 6		11, 12, 14, 15, 16				With [4DR]
		1	2, 6		51, 52, 54, 55, 56				With [4DR]
		1	3, 7		02, 06				
		1	3, 7		12, 15, 16				
	05119355AA	1	2, 6		01, 02, 06				Without [4DR]
		1	2, 6		11, 12, 14, 15, 16				Without [4DR]
		1	2, 6		51, 52, 54, 55, 56				Without [4DR]
13		1							SCREW, (NOT SERVICED),

SPRINTER (VA)

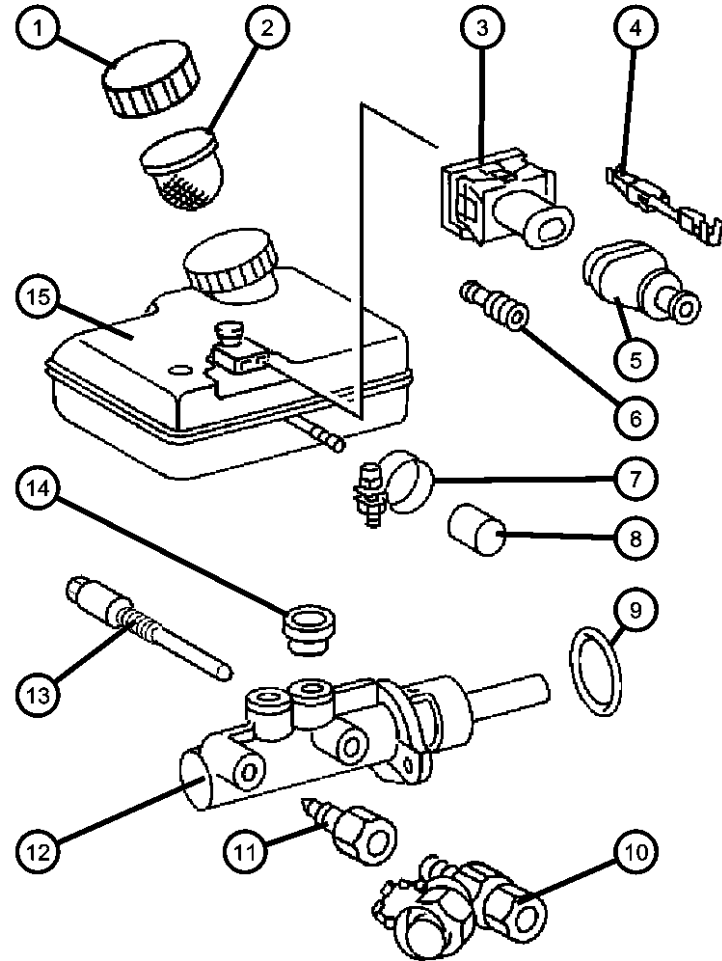
SERIES	LINE	BODY	ENGINE	TRANSMISSION
L = LOWLINE	3 = HD DODGE 2WD 8 = HD DODGE 4WD 6 = Lt. Duty DODGE 4WD 2 = Med. Duty DODGE 2WD 7 = Med. Duty DODGE 4WD 4 = TRUCK	01 = CHASSIS FORWARD CONTROL W.B.1 02 = CAB CHASSIS WHEEL BASE 2 06 = CAB CHASSIS WHEEL BASE 6 11 = VAN WHEEL BASE 1 12 = VAN WHEEL BASE 2 51 = WAGON WHEEL BASE 1 52 = WAGON WHEEL BASE 2 14 = VAN WHEEL BASE 4 15 = VAN WHEEL BASE 5 54 = WAGON WHEEL BASE 4 55 = WAGON WHEEL BASE 5 56 = WAGON WHEEL BASE 6 16 = VAN WHEEL BASE 6	EX8 = 2.7L I5 Turbo Diesel Engine EX9 = 2.7L I5 Mercedes-Benz TD Engine	DGJ = 5-Speed Automatic MB Transmission DGZ = 4-Spd. Automatic MT643 Transmission

AR = use ase required - = Non illustrated part

Master Cylinder
Figure 5-410

ITEM	PART NUMBER	QTY	LINE	SERIES	BODY	ENGINE	TRANS	TRIM	DESCRIPTION
------	-------------	-----	------	--------	------	--------	-------	------	-------------

14	05103637AA	2							SEAL, Brake Cylinder To Reservoir
15									RESERVOIR, Brake Master Cylinder
	05119356AA	1	2, 6		01, 02, 06				
		1	2, 6		11, 12, 14, 15, 16				
		1	2, 6		51, 52, 54, 55, 56				
		1	3, 7		02, 06				
		1	3, 7		12, 15, 16				



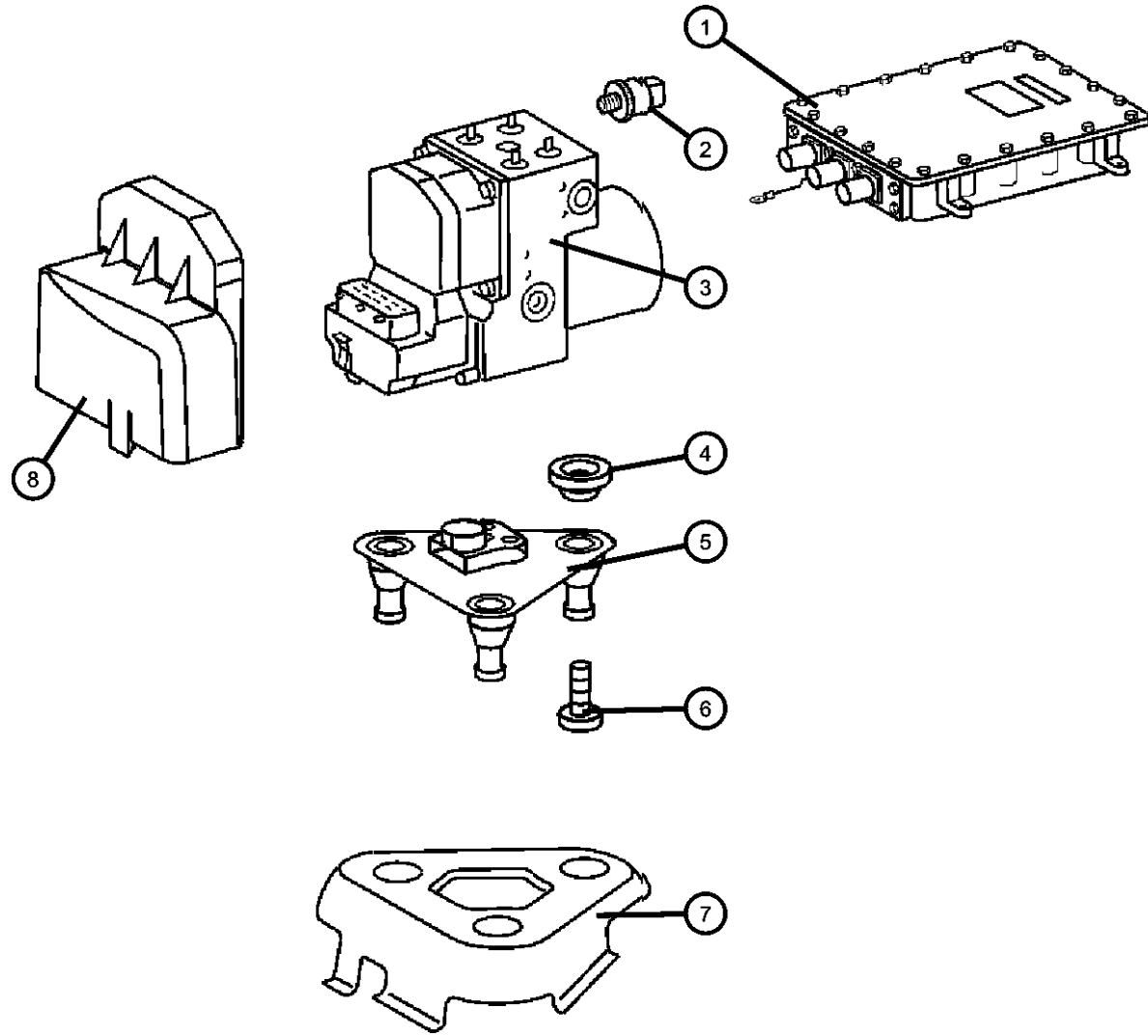
SPRINTER (VA)

SERIES	LINE	BODY	ENGINE	TRANSMISSION
L = LOWLINE	3 = HD DODGE 2WD 8 = HD DODGE 4WD 6 = Lt. Duty DODGE 4WD 2 = Med. Duty DODGE 2WD 7 = Med. Duty DODGE 4WD 4 = TRUCK	01 = CHASSIS FORWARD CONTROL W.B.1 02 = CAB CHASSIS WHEEL BASE 2 06 = CAB CHASSIS WHEEL BASE 6 11 = VAN WHEEL BASE 1 12 = VAN WHEEL BASE 2 51 = WAGON WHEEL BASE 1 52 = WAGON WHEEL BASE 2 14 = VAN WHEEL BASE 4 15 = VAN WHEEL BASE 5 54 = WAGON WHEEL BASE 4 55 = WAGON WHEEL BASE 5 56 = WAGON WHEEL BASE 6 16 = VAN WHEEL BASE 6	EX8 = 2.7L I5 Turbo Diesel Engine EX9 = 2.7L I5 Mercedes-Benz TD Engine	DGJ = 5-Speed Automatic MB Transmission DGZ = 4-Spd. Automatic MT643 Transmission

AR = use ase required - = Non illustrated part

2006 VA

**Hydraulic Control Unit and ABS Module
Figure 5-420**



ITEM	PART NUMBER	QTY	LINE	SERIES	BODY	ENGINE	TRANS	TRIM	DESCRIPTION
------	-------------	-----	------	--------	------	--------	-------	------	-------------

Note: IF ANTI-CONTROL MODULE IS NOT LISTED FOR VEHICLE COMPLETE [HCU] MUST BE REPLACED

Sales Codes
 [BGK]=4-Wheel Anti-Lock Brakes
 [BNB]=Electronic Stability Program
 [HBD]=Rear Heavy Duty Air Conditioning
 [4DR]=Weight Variant 3.88T

1	05133700AA	1	2, 6		01, 02, 06				MODULE, Anti-lock Brakes, See Note
		1	2, 6		51, 52, 54, 55, 56				With [BGK] Without [BNB] / See Note
	05161052AA	1	2, 6		01, 02, 06				With [BGK] Without [BNB] / See Note
		1	2, 6		11, 12, 14, 15, 16				With [BNB + BGK] / See Note
2	05133702AA	1	3, 7		02, 06				SENDING UNIT
		1	3, 7		12, 15, 16				
3	05127536AA	1	2, 6		01, 02, 06				CONTROL UNIT, Anti-Lock Brake, See Note
		1	2, 6		11, 12, 14, 15, 16				With [BGK]
		1	2, 6		51, 52, 54, 55, 56				With [BGK]
		1	3, 7		02, 06				With [BGK]
		1	3, 7		12, 15, 16				With [BGK]
	05127538AA	1	2, 6		11, 12, 14, 15, 16				With [BGK + 4DR]
		1	2, 6		51, 52, 54, 55, 56				With [BGK + 4DR]
	05136077AA	1	2, 6		11, 12, 14, 15, 16				With [BGK + BNB]
		1	2, 6		51, 52, 54, 55, 56				With [BGK + BNB]
	05140695AB	1	2, 6		01, 02, 06				With [BGK + BNB + 4DR]

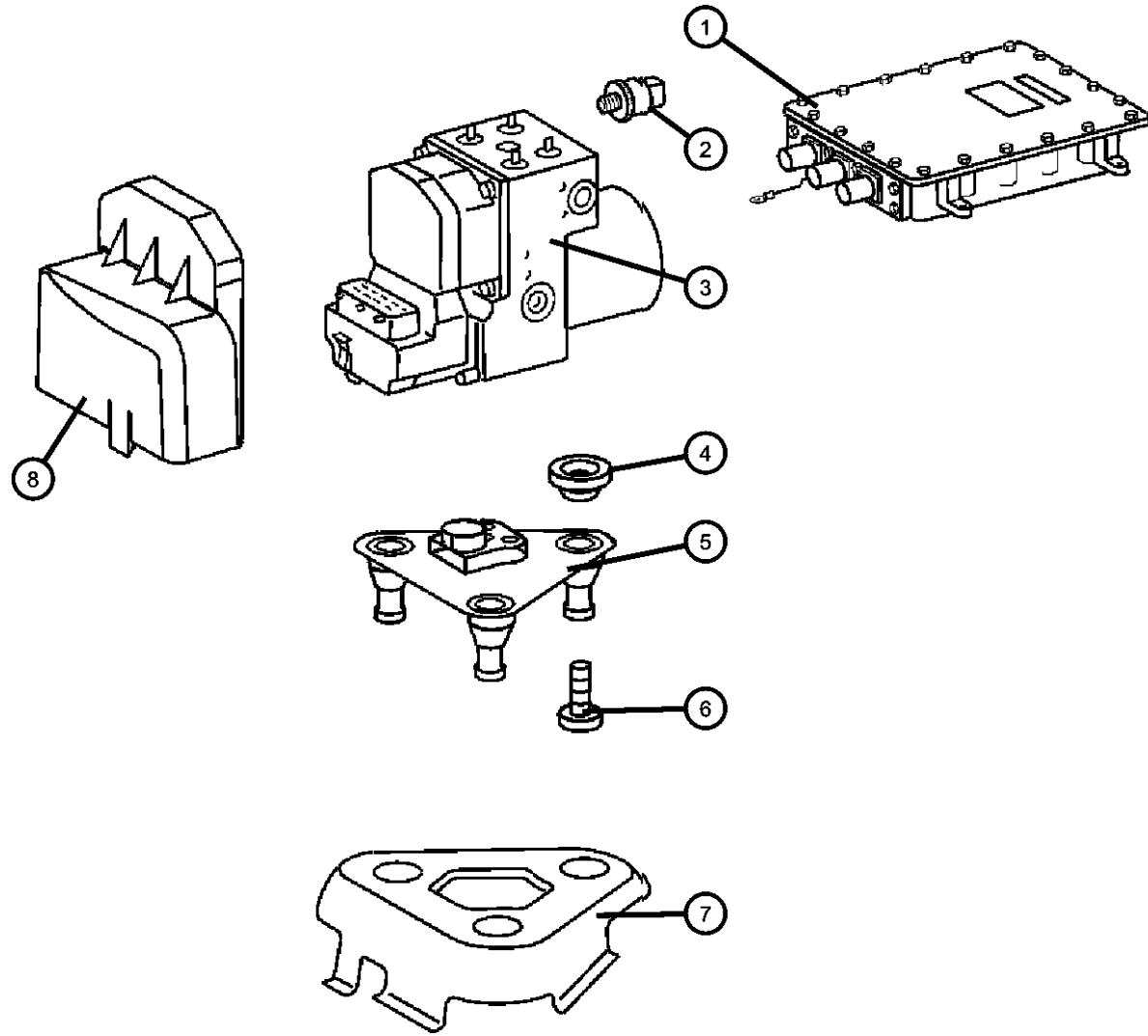
SPRINTER (VA)

SERIES	LINE	BODY	ENGINE	TRANSMISSION
L = LOWLINE	3 = HD DODGE 2WD 8 = HD DODGE 4WD 6 = Lt. Duty DODGE 4WD 2 = Med. Duty DODGE 2WD 7 = Med. Duty DODGE 4WD 4 = TRUCK	01 = CHASSIS FORWARD CONTROL W.B.1 02 = CAB CHASSIS WHEEL BASE 2 06 = CAB CHASSIS WHEEL BASE 6 11 = VAN WHEEL BASE 1 12 = VAN WHEEL BASE 2 51 = WAGON WHEEL BASE 1 52 = WAGON WHEEL BASE 2 14 = VAN WHEEL BASE 4 15 = VAN WHEEL BASE 5 54 = WAGON WHEEL BASE 4 55 = WAGON WHEEL BASE 5 56 = WAGON WHEEL BASE 6 16 = VAN WHEEL BASE 6	EX8 = 2.7L I5 Turbo Diesel Engine EX9 = 2.7L I5 Mercedes-Benz TD Engine	DGJ = 5-Speed Automatic MB Transmission DGZ = 4-Spd. Automatic MT643 Transmission

AR = use ase required - = Non illustrated part

2006 VA

**Hydraulic Control Unit and ABS Module
Figure 5-420**



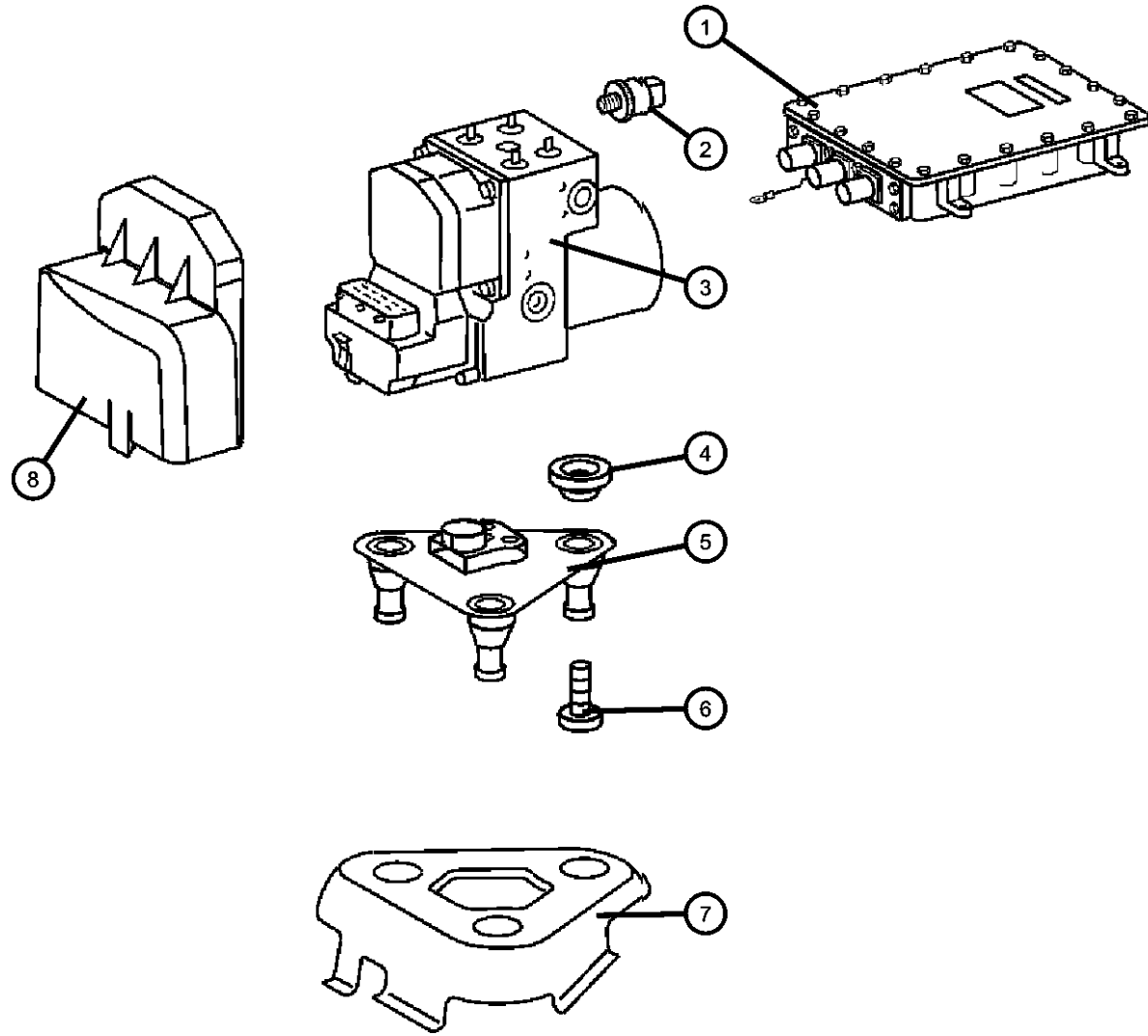
ITEM	PART NUMBER	QTY	LINE	SERIES	BODY	ENGINE	TRANS	TRIM	DESCRIPTION
		1	2, 6		11, 12, 14, 15, 16				With [BGK + BNB + 4DR]
		1	2, 6		51, 52, 54, 55, 56				With [BGK + BNB + 4DR]
	05161051AA	1	2, 6		01, 02, 06				With [BGK + BNB]
		1	2, 6		01, 02, 06				With [BGK + 4DR]
4									GROMMET, Hydraulic Control Unit
	05099283AA	3	2, 6		01, 02, 06				
		3	2, 6		11, 12, 14, 15, 16				
		3	2, 6		51, 52, 54, 55, 56				
		3	3, 7		02, 06				
		3	3, 7		12, 15, 16				
5									BRACKET, Hydraulic control unit, Upper
	05119383AA	1	2, 6		01, 02, 06				
		1	2, 6		11, 12, 14, 15, 16				
		1	2, 6		51, 52, 54, 55, 56				
		1	3, 7		02, 06				
		1	3, 7		12, 15, 16				
6									SCREW
	05126138AA	2	2, 6		01, 02, 06				
		2	2, 6		11, 12, 14, 15, 16				
		2	2, 6		51, 52, 54, 55, 56				
		2	3, 7		02, 06				
		2	3, 7		12, 15, 16				
7									BRACKET, Hydraulic control unit, Lower

SPRINTER (VA)

SERIES	LINE	BODY	ENGINE	TRANSMISSION
L = LOWLINE	3 = HD DODGE 2WD 8 = HD DODGE 4WD 6 = Lt. Duty DODGE 4WD 2 = Med. Duty DODGE 2WD 7 = Med. Duty DODGE 4WD 4 = TRUCK	01 = CHASSIS FORWARD CONTROL W.B.1 02 = CAB CHASSIS WHEEL BASE 2 06 = CAB CHASSIS WHEEL BASE 6 11 = VAN WHEEL BASE 1 12 = VAN WHEEL BASE 2 51 = WAGON WHEEL BASE 1 52 = WAGON WHEEL BASE 2 14 = VAN WHEEL BASE 4 15 = VAN WHEEL BASE 5 54 = WAGON WHEEL BASE 4 55 = WAGON WHEEL BASE 5 56 = WAGON WHEEL BASE 6 16 = VAN WHEEL BASE 6	EX8 = 2.7L I5 Turbo Diesel Engine EX9 = 2.7L I5 Mercedes-Benz TD Engine	DGJ = 5-Speed Automatic MB Transmission DGZ = 4-Spd. Automatic MT643 Transmission

AR = use ase required - = Non illustrated part

Hydraulic Control Unit and ABS Module
Figure 5-420



ITEM	PART NUMBER	QTY	LINE	SERIES	BODY	ENGINE	TRANS	TRIM	DESCRIPTION
	05104088AA	1	2, 6		01, 02, 06				[BGK]
		1	2, 6		11, 12, 14, 15, 16				[BGK]
		1	2, 6		51, 52, 54, 55, 56				[BGK]
	05139489AA	1	3, 7		02, 06				[BGK]
		1	3, 7		12, 15, 16				[BGK,HBD]
		1	3, 7		12, 15, 16				[BGK]
		1	2, 6		11, 12, 14, 15, 16				[BGK,HBD]
		1	2, 6		51, 52, 54, 55, 56				[BGK,HBD]
8	05120888AA	1	2, 6		51, 52, 54, 55, 56				COVER, Hydraulic Control Unit
		1	3, 7		02, 06				
		1	3, 7		12, 15, 16				
		1	2, 6		01, 02, 06				
		1	2, 6		11, 12, 14, 15, 16				

SPRINTER (VA)

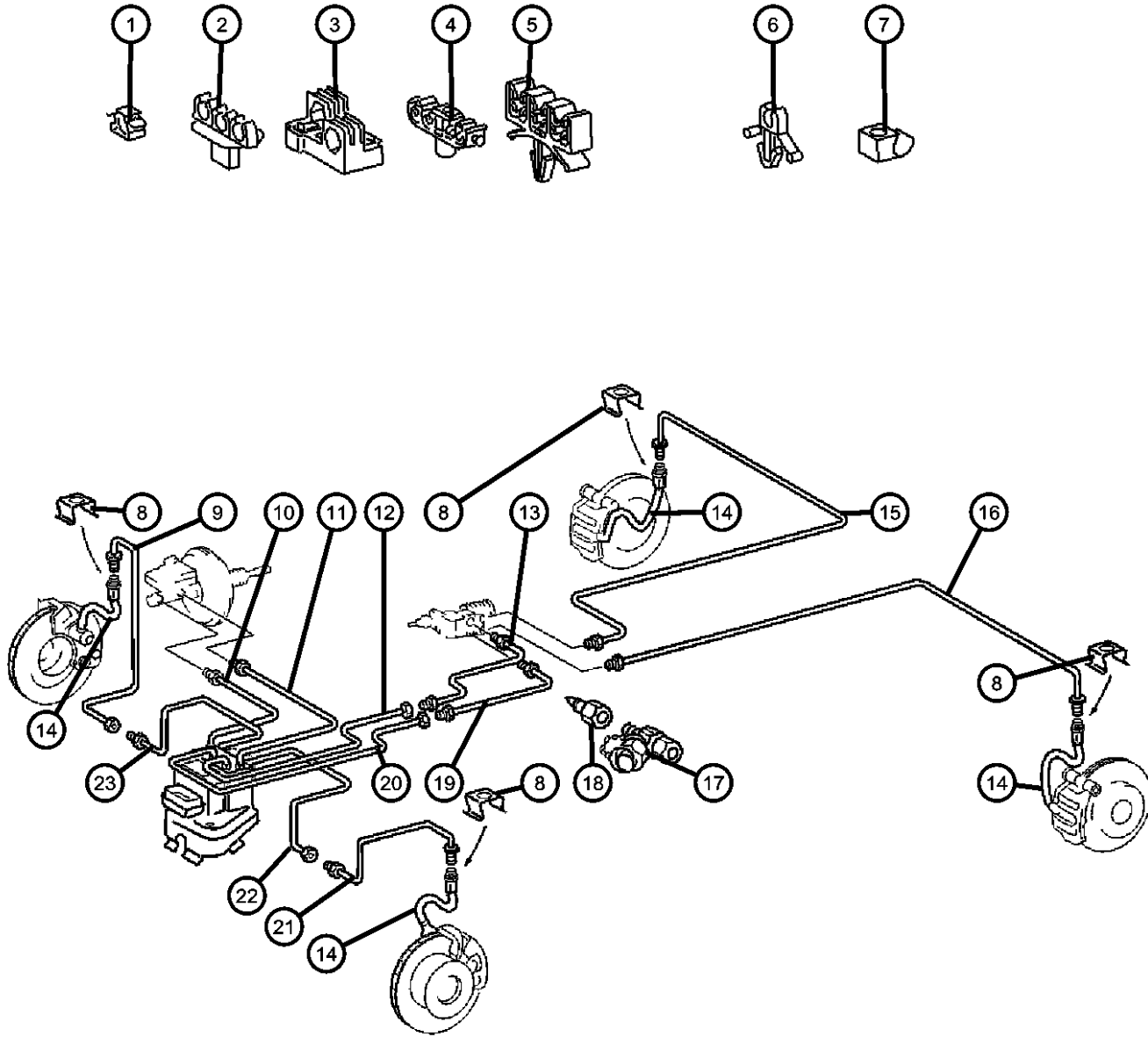
SERIES	LINE	BODY	ENGINE	TRANSMISSION
L = LOWLINE	3 = HD DODGE 2WD 8 = HD DODGE 4WD 6 = Lt. Duty DODGE 4WD 2 = Med. Duty DODGE 2WD 7 = Med. Duty DODGE 4WD 4 = TRUCK	01 = CHASSIS FORWARD CONTROL W.B.1 02 = CAB CHASSIS WHEEL BASE 2 06 = CAB CHASSIS WHEEL BASE 6 11 = VAN WHEEL BASE 1 12 = VAN WHEEL BASE 2 51 = WAGON WHEEL BASE 1 52 = WAGON WHEEL BASE 2 14 = VAN WHEEL BASE 4 15 = VAN WHEEL BASE 5 54 = WAGON WHEEL BASE 4 55 = WAGON WHEEL BASE 5 56 = WAGON WHEEL BASE 6 16 = VAN WHEEL BASE 6	EX8 = 2.7L I5 Turbo Diesel Engine EX9 = 2.7L I5 Mercedes-Benz TD Engine	DGJ = 5-Speed Automatic MB Transmission DGZ = 4-Spd. Automatic MT643 Transmission

AR = use ase required - = Non illustrated part

Lines,Brake,With ABS,2500/3500 Series
Figure 5-510

ITEM	PART NUMBER	QTY	LINE	SERIES	BODY	ENGINE	TRANS	TRIM	DESCRIPTION
------	-------------	-----	------	--------	------	--------	-------	------	-------------

Note;Sales Codes;
 [WDG]=Wheels - 16 X 6 STEEL
 [3S6]=Test Connections Hydraulic Brake
 [5AC]=118" Wheelbase
 [5AE]=140" Wheelbase
 [5AF]=158" Wheelbase
 [5NZ]=Delete Load Sensitive Brake



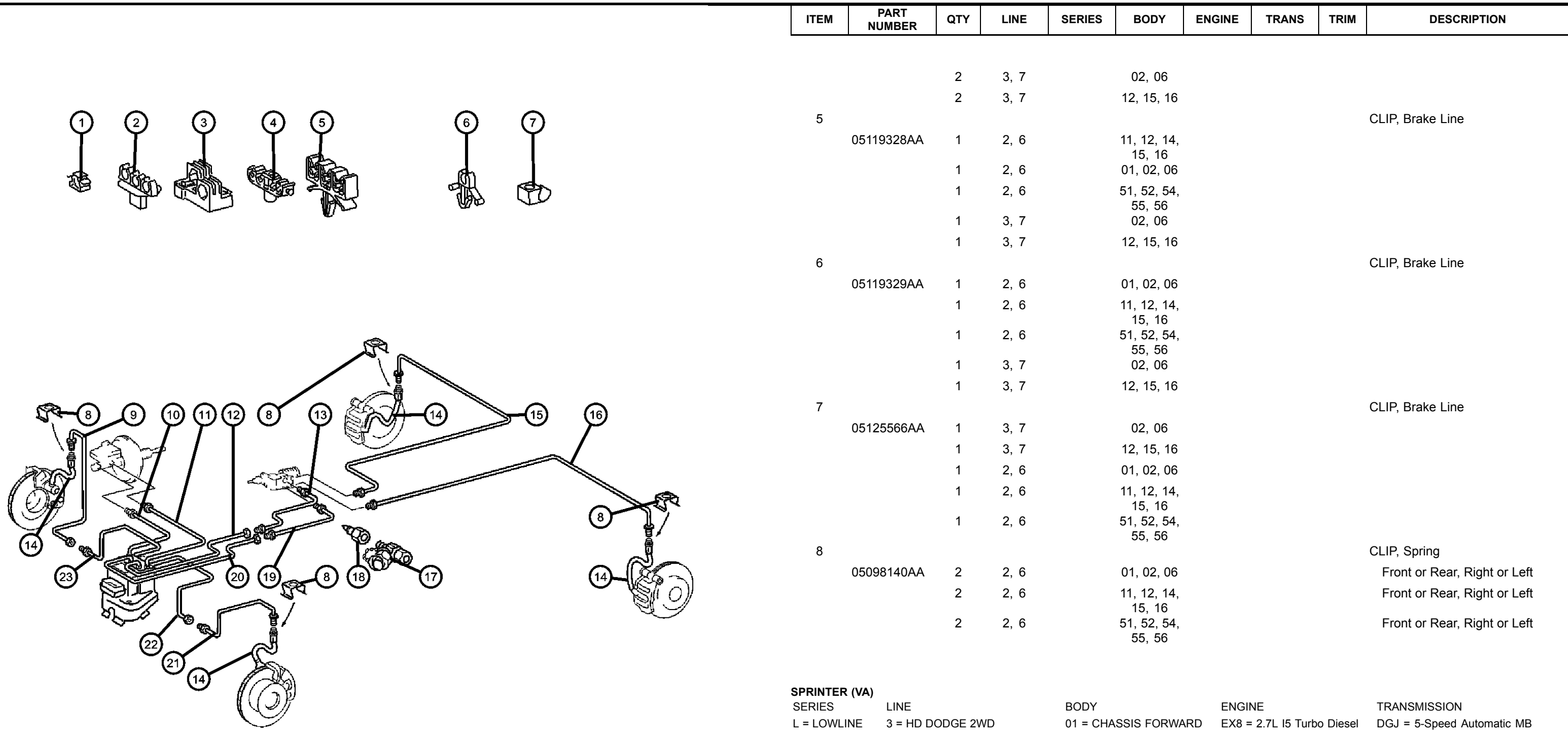
1	05119689AA	4	2, 6		11, 12, 14, 15, 16				CLIP, Brake Line
		4	2, 6		51, 52, 54, 55, 56				
		4	3, 7		02, 06				
		4	2, 6		01, 02, 06				
		4	3, 7		12, 15, 16				
2	05135743AA	1	2, 6		11, 12, 14, 15, 16				CLIP, Brake Line
		1	2, 6		51, 52, 54, 55, 56				
3	05119331AA	1	2, 6		51, 52, 54, 55, 56				BRACKET, Brake Tube
		1	3, 7		02, 06				
		1	3, 7		12, 15, 16				
		1	2, 6		01, 02, 06				
		1	2, 6		11, 12, 14, 15, 16				
4	05119330AA	2	2, 6		01, 02, 06				CLIP, Brake Line
		2	2, 6		11, 12, 14, 15, 16				
		2	2, 6		51, 52, 54, 55, 56				

SPRINTER (VA)

SERIES	LINE	BODY	ENGINE	TRANSMISSION
L = LOWLINE	3 = HD DODGE 2WD 8 = HD DODGE 4WD 6 = Lt. Duty DODGE 4WD 2 = Med. Duty DODGE 2WD 7 = Med. Duty DODGE 4WD 4 = TRUCK	01 = CHASSIS FORWARD CONTROL W.B.1 02 = CAB CHASSIS WHEEL BASE 2 06 = CAB CHASSIS WHEEL BASE 6 11 = VAN WHEEL BASE 1 12 = VAN WHEEL BASE 2 51 = WAGON WHEEL BASE 1 52 = WAGON WHEEL BASE 2 14 = VAN WHEEL BASE 4 15 = VAN WHEEL BASE 5 54 = WAGON WHEEL BASE 4 55 = WAGON WHEEL BASE 5 56 = WAGON WHEEL BASE 6 16 = VAN WHEEL BASE 6	EX8 = 2.7L I5 Turbo Diesel Engine EX9 = 2.7L I5 Mercedes-Benz TD Engine	DGJ = 5-Speed Automatic MB Transmission DGZ = 4-Spd. Automatic MT643 Transmission

AR = use ase required - = Non illustrated part

**Lines,Brake,With ABS,2500/3500 Series
Figure 5-510**



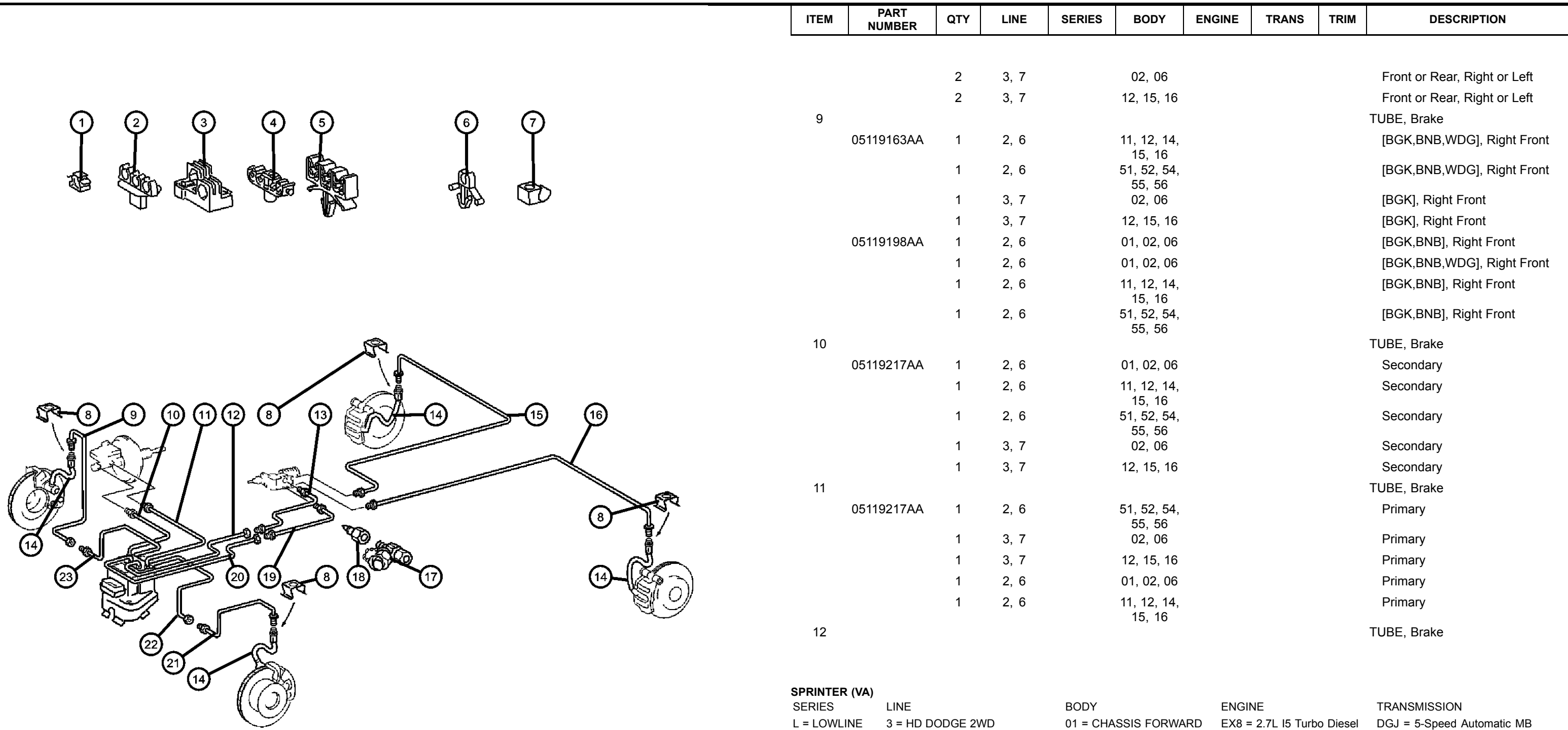
ITEM	PART NUMBER	QTY	LINE	SERIES	BODY	ENGINE	TRANS	TRIM	DESCRIPTION
		2	3, 7		02, 06				
		2	3, 7		12, 15, 16				
5									CLIP, Brake Line
	05119328AA	1	2, 6		11, 12, 14, 15, 16				
		1	2, 6		01, 02, 06				
		1	2, 6		51, 52, 54, 55, 56				
		1	3, 7		02, 06				
		1	3, 7		12, 15, 16				
6									CLIP, Brake Line
	05119329AA	1	2, 6		01, 02, 06				
		1	2, 6		11, 12, 14, 15, 16				
		1	2, 6		51, 52, 54, 55, 56				
		1	3, 7		02, 06				
		1	3, 7		12, 15, 16				
7									CLIP, Brake Line
	05125566AA	1	3, 7		02, 06				
		1	3, 7		12, 15, 16				
		1	2, 6		01, 02, 06				
		1	2, 6		11, 12, 14, 15, 16				
		1	2, 6		51, 52, 54, 55, 56				
8									CLIP, Spring
	05098140AA	2	2, 6		01, 02, 06				Front or Rear, Right or Left
		2	2, 6		11, 12, 14, 15, 16				Front or Rear, Right or Left
		2	2, 6		51, 52, 54, 55, 56				Front or Rear, Right or Left

SPRINTER (VA)

SERIES	LINE	BODY	ENGINE	TRANSMISSION
L = LOWLINE	3 = HD DODGE 2WD 8 = HD DODGE 4WD 6 = Lt. Duty DODGE 4WD 2 = Med. Duty DODGE 2WD 7 = Med. Duty DODGE 4WD 4 = TRUCK	01 = CHASSIS FORWARD CONTROL W.B.1 02 = CAB CHASSIS WHEEL BASE 2 06 = CAB CHASSIS WHEEL BASE 6 11 = VAN WHEEL BASE 1 12 = VAN WHEEL BASE 2 51 = WAGON WHEEL BASE 1 52 = WAGON WHEEL BASE 2 14 = VAN WHEEL BASE 4 15 = VAN WHEEL BASE 5 54 = WAGON WHEEL BASE 4 55 = WAGON WHEEL BASE 5 56 = WAGON WHEEL BASE 6 16 = VAN WHEEL BASE 6	EX8 = 2.7L I5 Turbo Diesel Engine EX9 = 2.7L I5 Mercedes-Benz TD Engine	DGJ = 5-Speed Automatic MB Transmission DGZ = 4-Spd. Automatic MT643 Transmission

AR = use ase required - = Non illustrated part

Lines,Brake,With ABS,2500/3500 Series
Figure 5-510



ITEM	PART NUMBER	QTY	LINE	SERIES	BODY	ENGINE	TRANS	TRIM	DESCRIPTION
		2	3, 7		02, 06				Front or Rear, Right or Left
		2	3, 7		12, 15, 16				Front or Rear, Right or Left
9									TUBE, Brake
	05119163AA	1	2, 6		11, 12, 14, 15, 16				[BGK,BNB,WDG], Right Front
		1	2, 6		51, 52, 54, 55, 56				[BGK,BNB,WDG], Right Front
		1	3, 7		02, 06				[BGK], Right Front
		1	3, 7		12, 15, 16				[BGK], Right Front
	05119198AA	1	2, 6		01, 02, 06				[BGK,BNB], Right Front
		1	2, 6		01, 02, 06				[BGK,BNB,WDG], Right Front
		1	2, 6		11, 12, 14, 15, 16				[BGK,BNB], Right Front
		1	2, 6		51, 52, 54, 55, 56				[BGK,BNB], Right Front
10									TUBE, Brake
	05119217AA	1	2, 6		01, 02, 06				Secondary
		1	2, 6		11, 12, 14, 15, 16				Secondary
		1	2, 6		51, 52, 54, 55, 56				Secondary
		1	3, 7		02, 06				Secondary
		1	3, 7		12, 15, 16				Secondary
11									TUBE, Brake
	05119217AA	1	2, 6		51, 52, 54, 55, 56				Primary
		1	3, 7		02, 06				Primary
		1	3, 7		12, 15, 16				Primary
		1	2, 6		01, 02, 06				Primary
		1	2, 6		11, 12, 14, 15, 16				Primary
12									TUBE, Brake

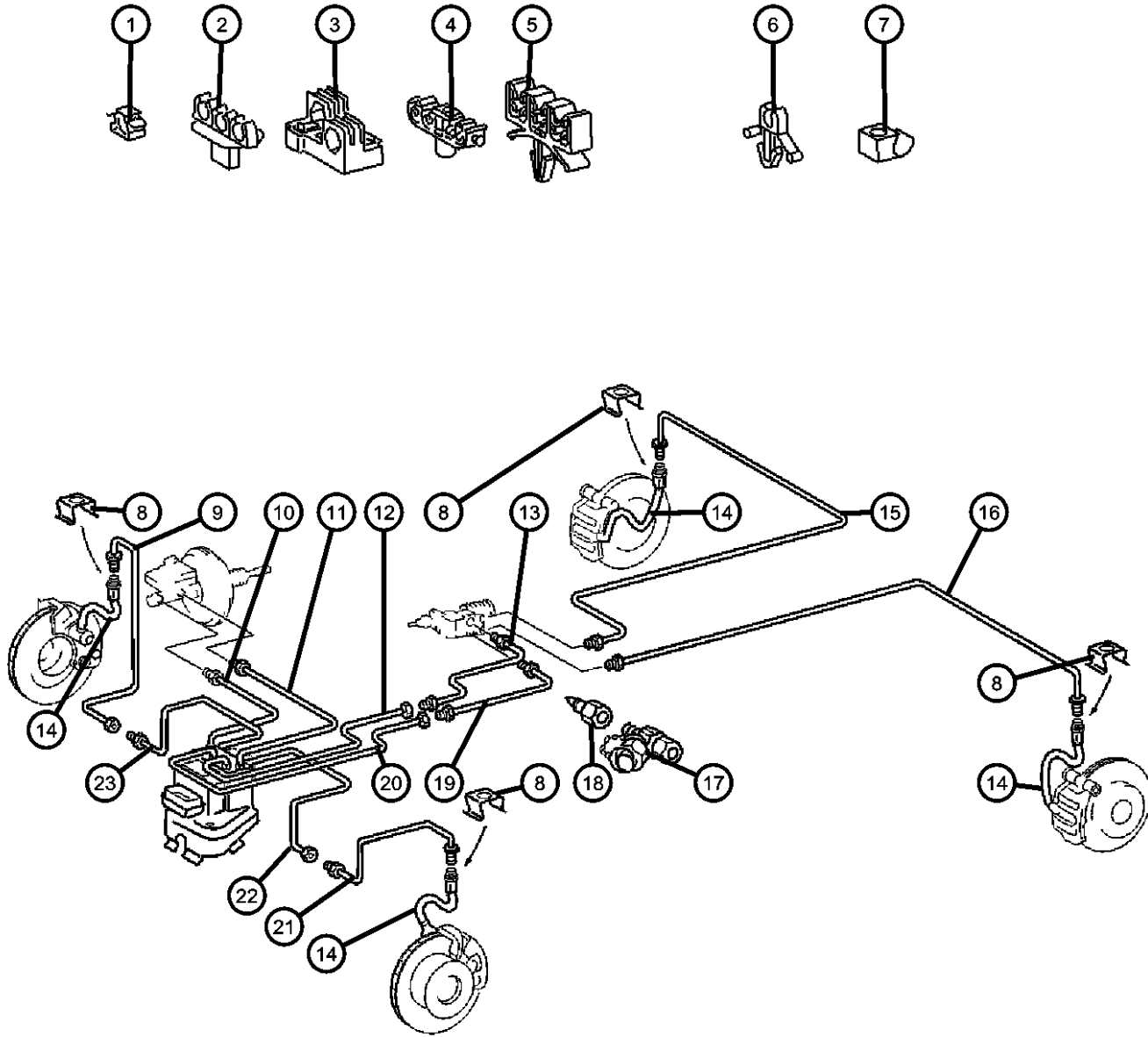
SPRINTER (VA)

SERIES	LINE	BODY	ENGINE	TRANSMISSION
L = LOWLINE	3 = HD DODGE 2WD 8 = HD DODGE 4WD 6 = Lt. Duty DODGE 4WD 2 = Med. Duty DODGE 2WD 7 = Med. Duty DODGE 4WD 4 = TRUCK	01 = CHASSIS FORWARD CONTROL W.B.1 02 = CAB CHASSIS WHEEL BASE 2 06 = CAB CHASSIS WHEEL BASE 6 11 = VAN WHEEL BASE 1 12 = VAN WHEEL BASE 2 51 = WAGON WHEEL BASE 1 52 = WAGON WHEEL BASE 2 14 = VAN WHEEL BASE 4 15 = VAN WHEEL BASE 5 54 = WAGON WHEEL BASE 4 55 = WAGON WHEEL BASE 5 56 = WAGON WHEEL BASE 6 16 = VAN WHEEL BASE 6	EX8 = 2.7L I5 Turbo Diesel Engine EX9 = 2.7L I5 Mercedes-Benz TD Engine	DGJ = 5-Speed Automatic MB Transmission DGZ = 4-Spd. Automatic MT643 Transmission

AR = use ase required - = Non illustrated part

Lines,Brake,With ABS,2500/3500 Series
Figure 5-510

ITEM	PART NUMBER	QTY	LINE	SERIES	BODY	ENGINE	TRANS	TRIM	DESCRIPTION
	05119197AA	1	2, 6		51, 52, 54, 55, 56				
		1	3, 7		02, 06				
		1	3, 7		12, 15, 16				
		1	2, 6		01, 02, 06				
		1	2, 6		11, 12, 14, 15, 16				
13									TUBE, Brake
	05133704AA	1	2, 6		01				[+BGK]
		1	2, 6		11, 14				[+BGK]
		1	2, 6		51, 54				[+BGK]
	05133709AA	1	2, 6		01				[+5NZ]
		1	2, 6		02				[+BGK]
		1	2, 6		11, 14				[+5NZ]
		1	2, 6		12, 15				[+BGK]
		1	2, 6		51, 54				[+5NZ]
		1	2, 6		52, 55				[+BGK]
		1	3, 7		02				[+BGK]
		1	3, 7		02				[-BGK]
		1	3, 7		12, 15				[+BGK]
		1	3, 7		12, 15				[-BGK]
	05133728AA	1	2, 6		02				[+5NZ]
		1	2, 6		06				[+BGK]
		1	2, 6		12, 15				[+5NZ]
		1	2, 6		16				[+BGK]
		1	2, 6		52, 55				[+5NZ]
		1	2, 6		56				[+BGK]
14									HOSE, Brake



SPRINTER (VA)

SERIES

L = LOWLINE
 3 = HD DODGE 2WD
 8 = HD DODGE 4WD
 6 = Lt. Duty DODGE 4WD
 2 = Med. Duty DODGE 2WD
 7 = Med. Duty DODGE 4WD
 4 = TRUCK

LINE

3 = HD DODGE 2WD
 8 = HD DODGE 4WD
 6 = Lt. Duty DODGE 4WD
 2 = Med. Duty DODGE 2WD
 7 = Med. Duty DODGE 4WD
 4 = TRUCK

BODY

01 = CHASSIS FORWARD CONTROL W.B.1
 02 = CAB CHASSIS WHEEL BASE 2
 06 = CAB CHASSIS WHEEL BASE 6
 11 = VAN WHEEL BASE 1
 12 = VAN WHEEL BASE 2
 51 = WAGON WHEEL BASE 1
 52 = WAGON WHEEL BASE 2
 14 = VAN WHEEL BASE 4
 15 = VAN WHEEL BASE 5
 54 = WAGON WHEEL BASE 4
 55 = WAGON WHEEL BASE 5
 56 = WAGON WHEEL BASE 6
 16 = VAN WHEEL BASE 6

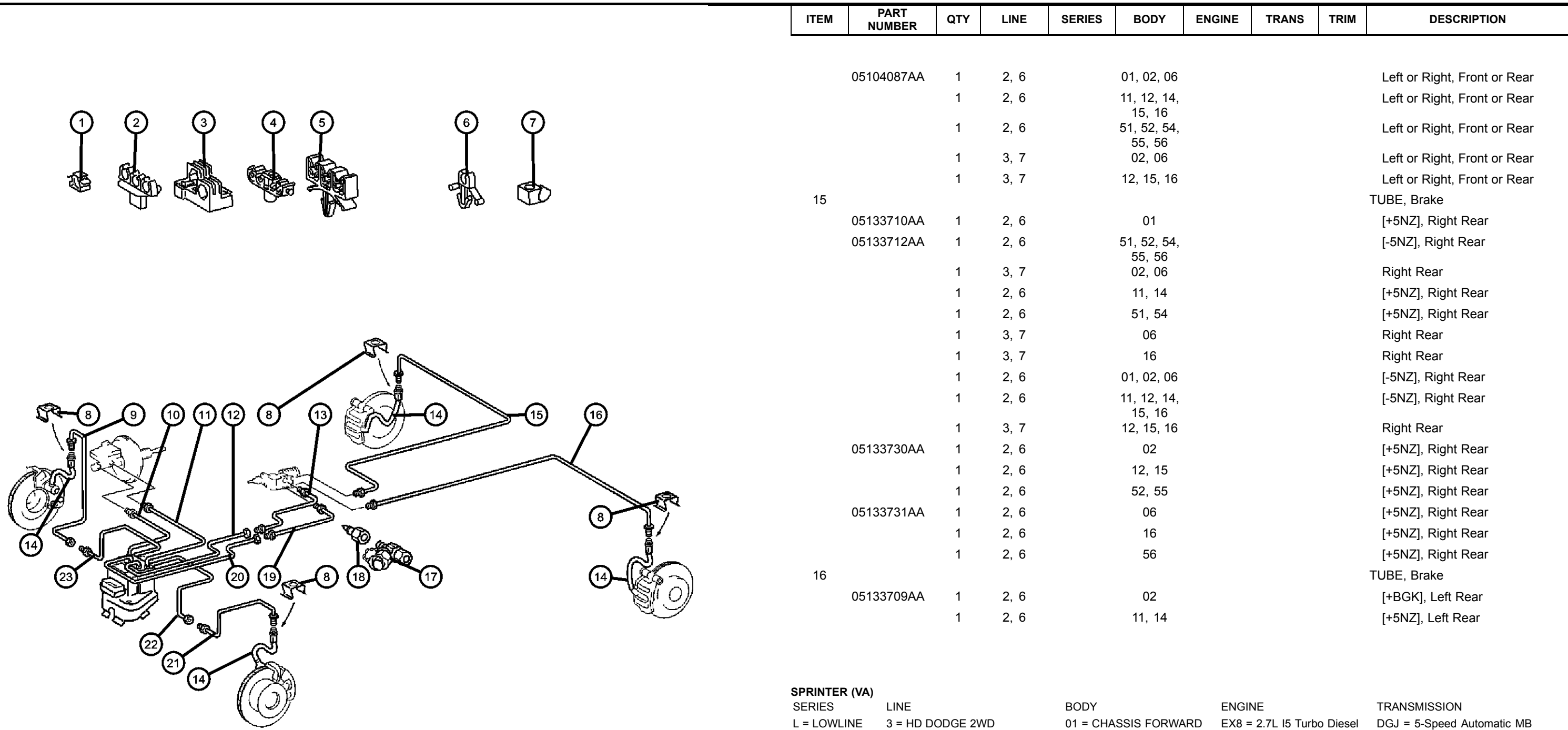
ENGINE

EX8 = 2.7L I5 Turbo Diesel Engine
 EX9 = 2.7L I5 Mercedes-Benz TD Engine

TRANSMISSION

DGJ = 5-Speed Automatic MB Transmission
 DGZ = 4-Spd. Automatic MT643 Transmission

Lines,Brake,With ABS,2500/3500 Series
Figure 5-510



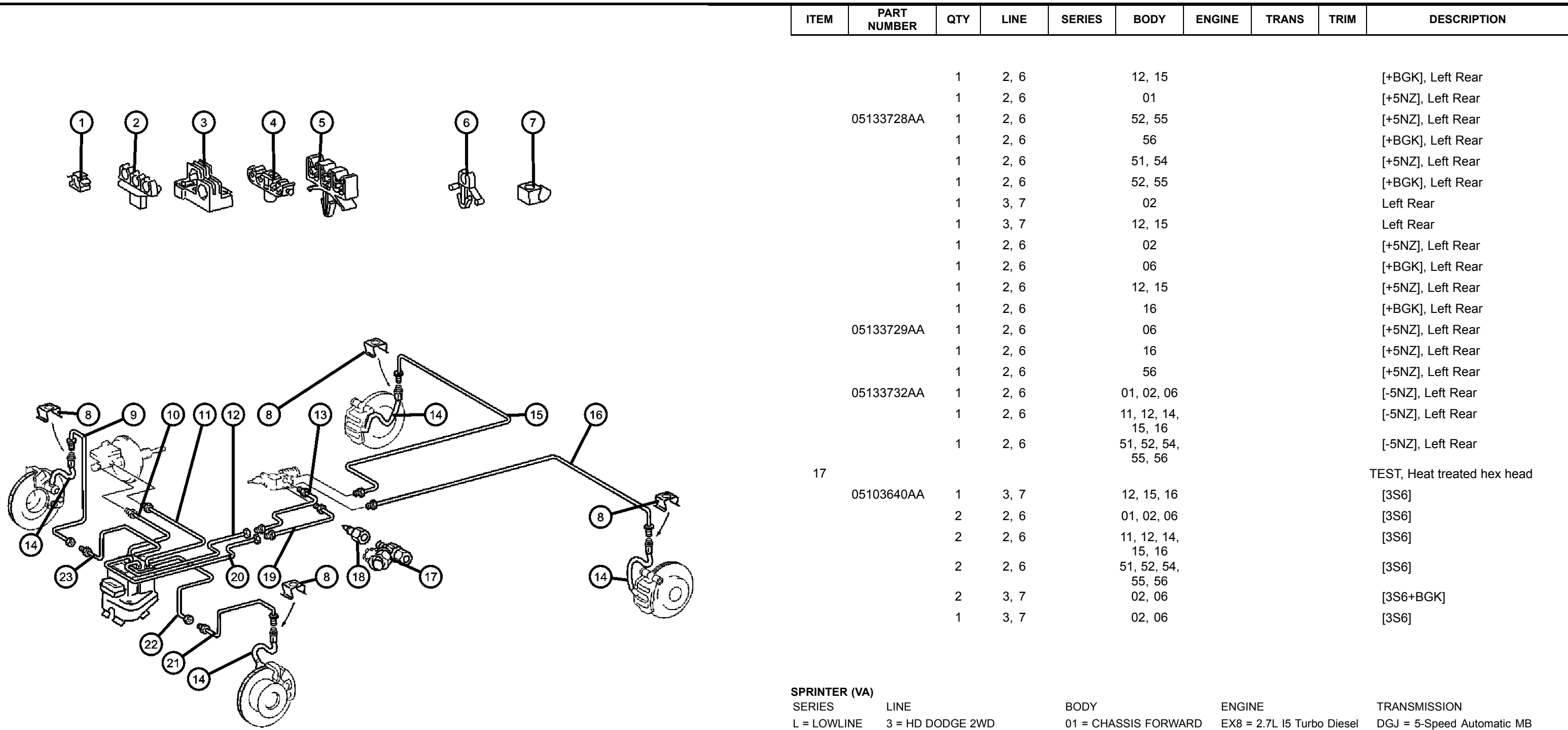
ITEM	PART NUMBER	QTY	LINE	SERIES	BODY	ENGINE	TRANS	TRIM	DESCRIPTION
	05104087AA	1	2, 6		01, 02, 06				Left or Right, Front or Rear
		1	2, 6		11, 12, 14, 15, 16				Left or Right, Front or Rear
		1	2, 6		51, 52, 54, 55, 56				Left or Right, Front or Rear
		1	3, 7		02, 06				Left or Right, Front or Rear
		1	3, 7		12, 15, 16				Left or Right, Front or Rear
15									TUBE, Brake
	05133710AA	1	2, 6		01				[+5NZ], Right Rear
	05133712AA	1	2, 6		51, 52, 54, 55, 56				[-5NZ], Right Rear
		1	3, 7		02, 06				Right Rear
		1	2, 6		11, 14				[+5NZ], Right Rear
		1	2, 6		51, 54				[+5NZ], Right Rear
		1	3, 7		06				Right Rear
		1	3, 7		16				Right Rear
		1	2, 6		01, 02, 06				[-5NZ], Right Rear
		1	2, 6		11, 12, 14, 15, 16				[-5NZ], Right Rear
		1	3, 7		12, 15, 16				Right Rear
	05133730AA	1	2, 6		02				[+5NZ], Right Rear
		1	2, 6		12, 15				[+5NZ], Right Rear
		1	2, 6		52, 55				[+5NZ], Right Rear
	05133731AA	1	2, 6		06				[+5NZ], Right Rear
		1	2, 6		16				[+5NZ], Right Rear
		1	2, 6		56				[+5NZ], Right Rear
16									TUBE, Brake
	05133709AA	1	2, 6		02				[+BGK], Left Rear
		1	2, 6		11, 14				[+5NZ], Left Rear

SPRINTER (VA)

SERIES	LINE	BODY	ENGINE	TRANSMISSION
L = LOWLINE	3 = HD DODGE 2WD 8 = HD DODGE 4WD 6 = Lt. Duty DODGE 4WD 2 = Med. Duty DODGE 2WD 7 = Med. Duty DODGE 4WD 4 = TRUCK	01 = CHASSIS FORWARD CONTROL W.B.1 02 = CAB CHASSIS WHEEL BASE 2 06 = CAB CHASSIS WHEEL BASE 6 11 = VAN WHEEL BASE 1 12 = VAN WHEEL BASE 2 51 = WAGON WHEEL BASE 1 52 = WAGON WHEEL BASE 2 14 = VAN WHEEL BASE 4 15 = VAN WHEEL BASE 5 54 = WAGON WHEEL BASE 4 55 = WAGON WHEEL BASE 5 56 = WAGON WHEEL BASE 6 16 = VAN WHEEL BASE 6	EX8 = 2.7L I5 Turbo Diesel Engine EX9 = 2.7L I5 Mercedes-Benz TD Engine	DGJ = 5-Speed Automatic MB Transmission DGZ = 4-Spd. Automatic MT643 Transmission

AR = use ase required - = Non illustrated part

Lines,Brake,With ABS,2500/3500 Series
Figure 5-510

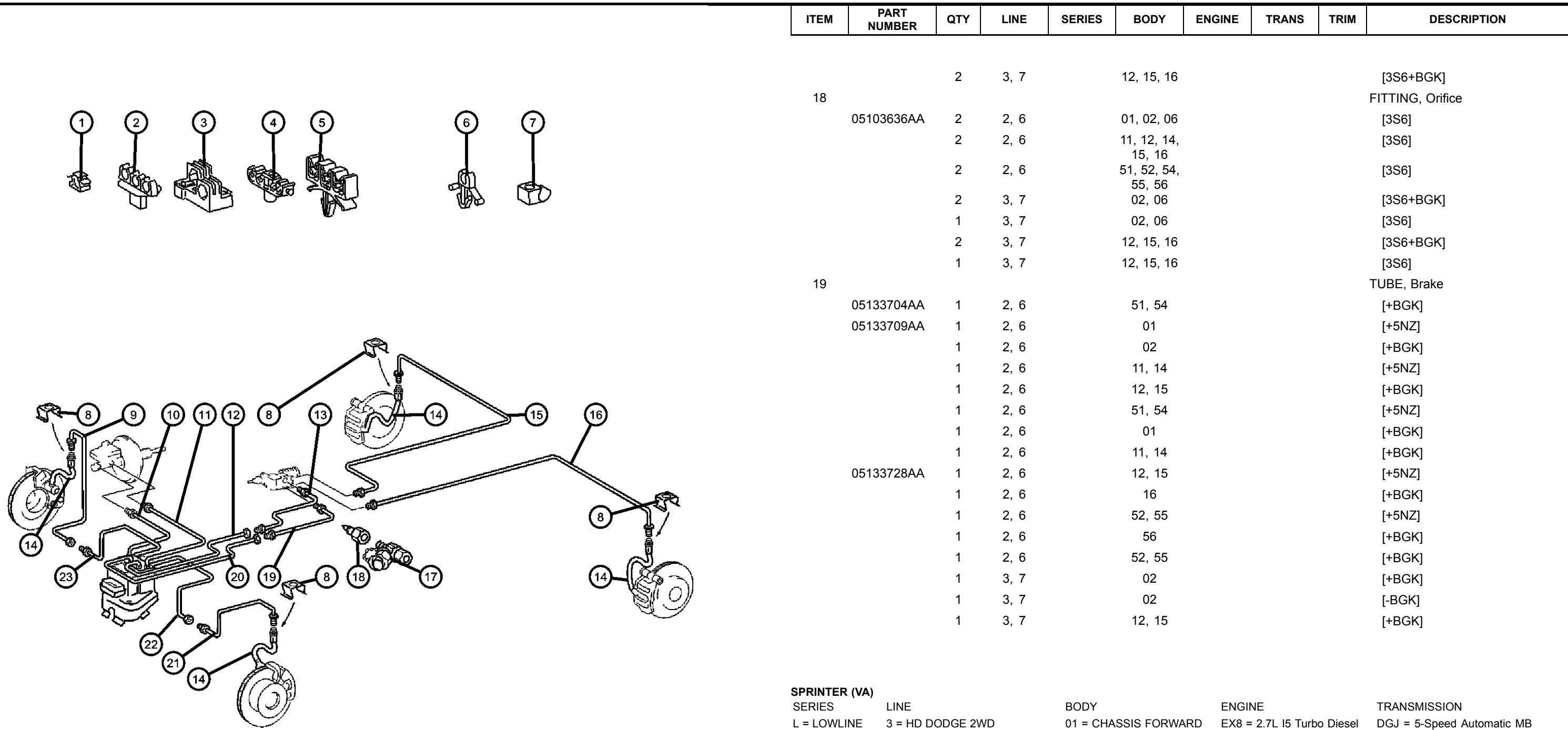


ITEM	PART NUMBER	QTY	LINE	SERIES	BODY	ENGINE	TRANS	TRIM	DESCRIPTION
		1	2, 6		12, 15				[+BGK], Left Rear
		1	2, 6		01				[+5NZ], Left Rear
	05133728AA	1	2, 6		52, 55				[+5NZ], Left Rear
		1	2, 6		56				[+BGK], Left Rear
		1	2, 6		51, 54				[+5NZ], Left Rear
		1	2, 6		52, 55				[+BGK], Left Rear
		1	3, 7		02				Left Rear
		1	3, 7		12, 15				Left Rear
		1	2, 6		02				[+5NZ], Left Rear
		1	2, 6		06				[+BGK], Left Rear
		1	2, 6		12, 15				[+5NZ], Left Rear
	05133729AA	1	2, 6		16				[+BGK], Left Rear
		1	2, 6		06				[+5NZ], Left Rear
		1	2, 6		16				[+5NZ], Left Rear
	05133732AA	1	2, 6		01, 02, 06				[-5NZ], Left Rear
		1	2, 6		11, 12, 14, 15, 16				[-5NZ], Left Rear
		1	2, 6		51, 52, 54, 55, 56				[-5NZ], Left Rear
17	05103640AA	1	3, 7		12, 15, 16				TEST, Heat treated hex head
		2	2, 6		01, 02, 06				[3S6]
		2	2, 6		11, 12, 14, 15, 16				[3S6]
		2	2, 6		51, 52, 54, 55, 56				[3S6]
		2	3, 7		02, 06				[3S6+BGK]
		1	3, 7		02, 06				[3S6]

SPRINTER (VA)
 SERIES LINE BODY ENGINE TRANSMISSION
 L = LOWLINE 3 = HD DODGE 2WD 01 = CHASSIS FORWARD EX8 = 2.7L I5 Turbo Diesel DGJ = 5-Speed Automatic MB
 8 = HD DODGE 4WD CONTROL W.B.1 Engine Transmission
 6 = Lt. Duty DODGE 4WD 02 = CAB CHASSIS WHEEL EX9 = 2.7L I5 Mercedes-Benz DGZ = 4-Spd. Automatic MT643
 2 = Med. Duty DODGE 2WD BASE 2 TD Engine Transmission
 7 = Med. Duty DODGE 4WD 06 = CAB CHASSIS WHEEL
 4 = TRUCK BASE 6
 11 = VAN WHEEL BASE 1
 12 = VAN WHEEL BASE 2
 51 = WAGON WHEEL BASE 1
 52 = WAGON WHEEL BASE 2
 14 = VAN WHEEL BASE 4
 15 = VAN WHEEL BASE 5
 54 = WAGON WHEEL BASE 4
 55 = WAGON WHEEL BASE 5
 56 = WAGON WHEEL BASE 6
 16 = VAN WHEEL BASE 6

AR = use ase required - = Non illustrated part

Lines,Brake,With ABS,2500/3500 Series
Figure 5-510

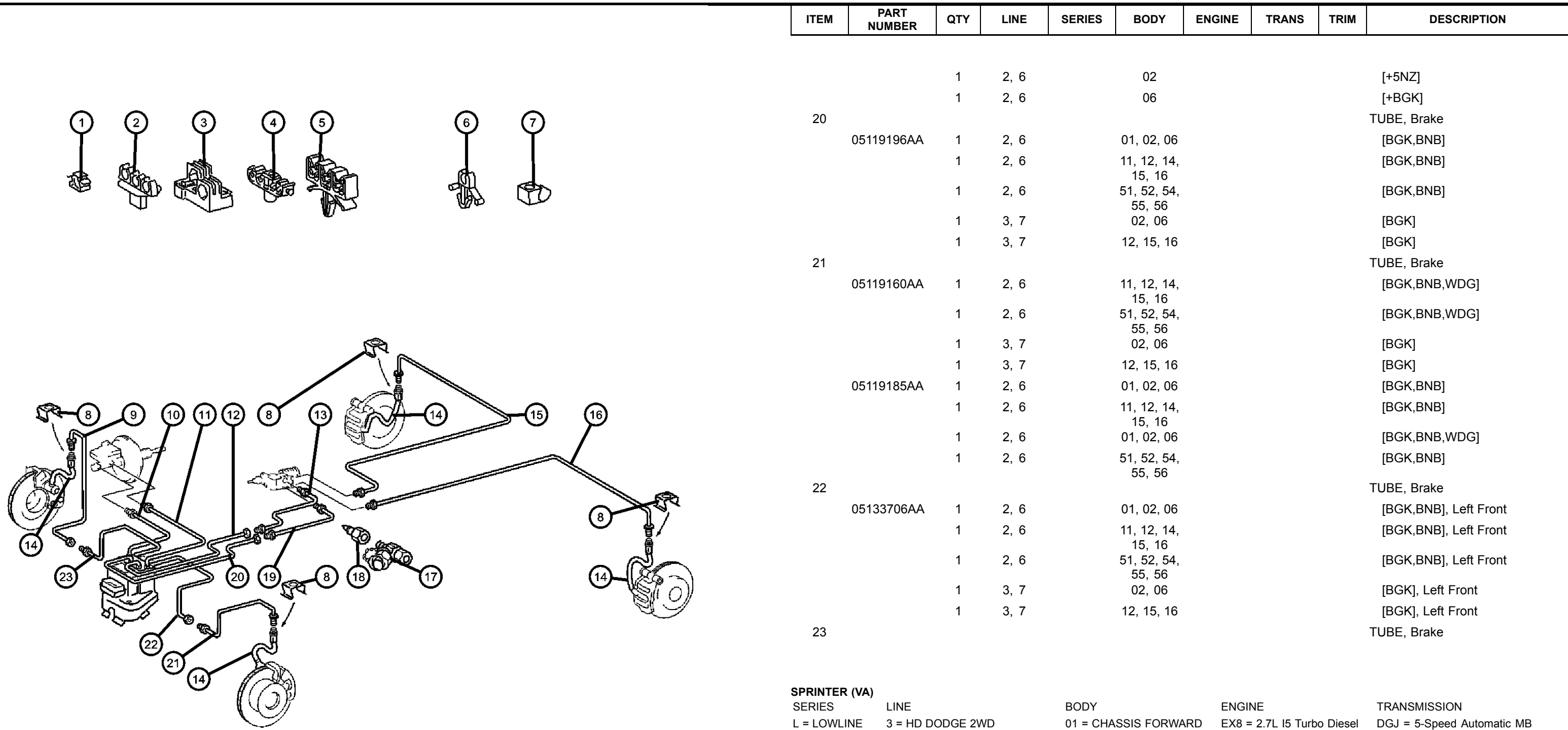


ITEM	PART NUMBER	QTY	LINE	SERIES	BODY	ENGINE	TRANS	TRIM	DESCRIPTION
18		2	3, 7		12, 15, 16				[3S6+BGK] FITTING, Orifice
	05103636AA	2	2, 6		01, 02, 06				[3S6]
		2	2, 6		11, 12, 14, 15, 16				[3S6]
		2	2, 6		51, 52, 54, 55, 56				[3S6]
		2	3, 7		02, 06				[3S6+BGK]
		1	3, 7		02, 06				[3S6]
		2	3, 7		12, 15, 16				[3S6+BGK]
		1	3, 7		12, 15, 16				[3S6]
19									TUBE, Brake
	05133704AA	1	2, 6		51, 54				[+BGK]
	05133709AA	1	2, 6		01				[+5NZ]
		1	2, 6		02				[+BGK]
		1	2, 6		11, 14				[+5NZ]
		1	2, 6		12, 15				[+BGK]
		1	2, 6		51, 54				[+5NZ]
		1	2, 6		01				[+BGK]
		1	2, 6		11, 14				[+BGK]
	05133728AA	1	2, 6		12, 15				[+5NZ]
		1	2, 6		16				[+BGK]
		1	2, 6		52, 55				[+5NZ]
		1	2, 6		56				[+BGK]
		1	2, 6		52, 55				[+BGK]
		1	3, 7		02				[+BGK]
		1	3, 7		02				[-BGK]
		1	3, 7		12, 15				[+BGK]

SPRINTER (VA)
 SERIES LINE BODY ENGINE TRANSMISSION
 L = LOWLINE 3 = HD DODGE 2WD 01 = CHASSIS FORWARD CONTROL W.B.1 EX8 = 2.7L I5 Turbo Diesel DGJ = 5-Speed Automatic MB Transmission
 8 = HD DODGE 4WD 02 = CAB CHASSIS WHEEL BASE 2 EX9 = 2.7L I5 Mercedes-Benz TD Engine DGZ = 4-Spd. Automatic MT643 Transmission
 6 = Lt. Duty DODGE 4WD 06 = CAB CHASSIS WHEEL BASE 6
 2 = Med. Duty DODGE 2WD 11 = VAN WHEEL BASE 1
 7 = Med. Duty DODGE 4WD 12 = VAN WHEEL BASE 2
 4 = TRUCK 51 = WAGON WHEEL BASE 1
 52 = WAGON WHEEL BASE 2
 14 = VAN WHEEL BASE 4
 15 = VAN WHEEL BASE 5
 54 = WAGON WHEEL BASE 4
 55 = WAGON WHEEL BASE 5
 56 = WAGON WHEEL BASE 6
 16 = VAN WHEEL BASE 6

AR = use ase required - = Non illustrated part

Lines,Brake,With ABS,2500/3500 Series
Figure 5-510



ITEM	PART NUMBER	QTY	LINE	SERIES	BODY	ENGINE	TRANS	TRIM	DESCRIPTION
		1	2, 6		02				[+5NZ]
		1	2, 6		06				[+BGK]
20	05119196AA	1	2, 6		01, 02, 06				TUBE, Brake [BGK,BNB]
		1	2, 6		11, 12, 14, 15, 16				[BGK,BNB]
		1	2, 6		51, 52, 54, 55, 56				[BGK,BNB]
		1	3, 7		02, 06				[BGK]
		1	3, 7		12, 15, 16				[BGK]
21	05119160AA	1	2, 6		11, 12, 14, 15, 16				TUBE, Brake [BGK,BNB,WDG]
		1	2, 6		51, 52, 54, 55, 56				[BGK,BNB,WDG]
		1	3, 7		02, 06				[BGK]
		1	3, 7		12, 15, 16				[BGK]
	05119185AA	1	2, 6		01, 02, 06				[BGK,BNB]
		1	2, 6		11, 12, 14, 15, 16				[BGK,BNB]
		1	2, 6		01, 02, 06				[BGK,BNB,WDG]
		1	2, 6		51, 52, 54, 55, 56				[BGK,BNB]
22	05133706AA	1	2, 6		01, 02, 06				TUBE, Brake [BGK,BNB], Left Front
		1	2, 6		11, 12, 14, 15, 16				[BGK,BNB], Left Front
		1	2, 6		51, 52, 54, 55, 56				[BGK,BNB], Left Front
		1	3, 7		02, 06				[BGK], Left Front
		1	3, 7		12, 15, 16				[BGK], Left Front
23									TUBE, Brake

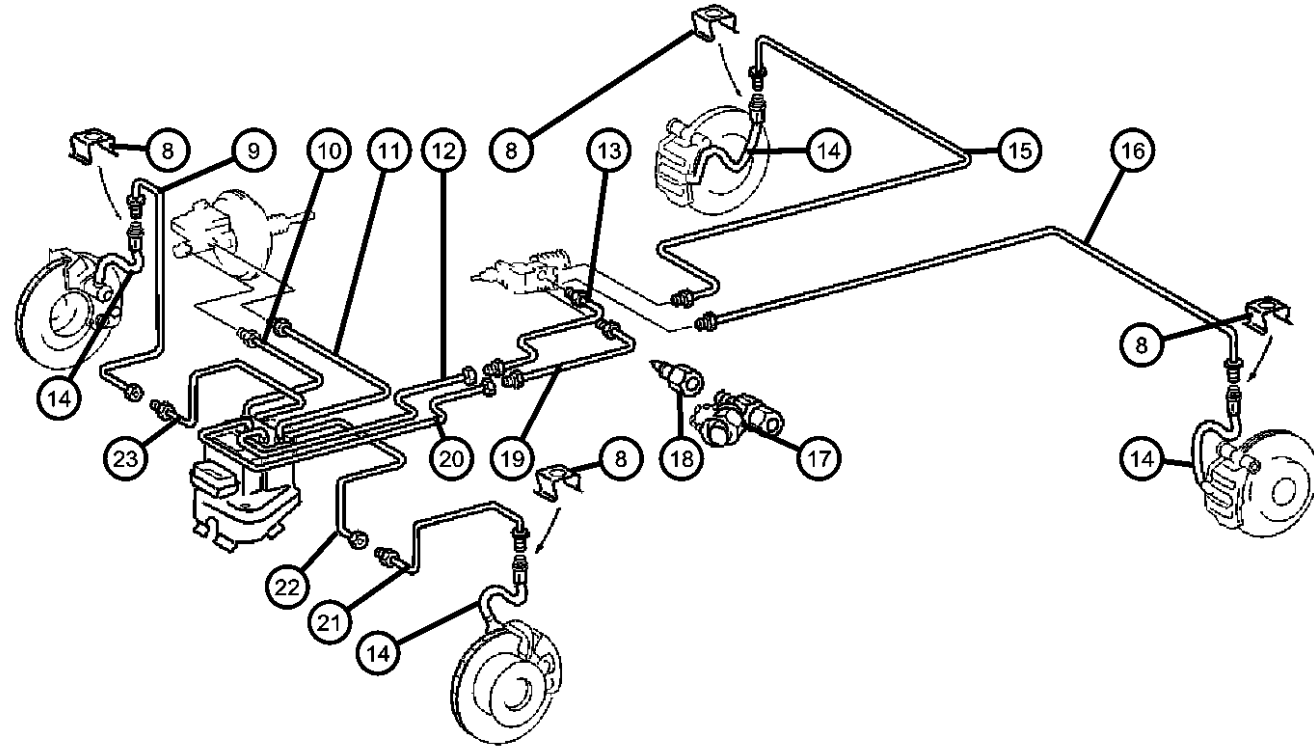
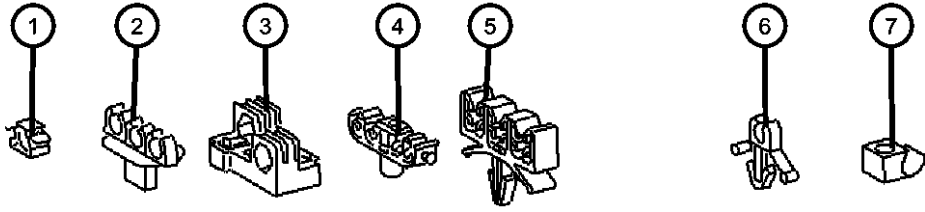
SPRINTER (VA)

SERIES	LINE	BODY	ENGINE	TRANSMISSION
L = LOWLINE	3 = HD DODGE 2WD 8 = HD DODGE 4WD 6 = Lt. Duty DODGE 4WD 2 = Med. Duty DODGE 2WD 7 = Med. Duty DODGE 4WD 4 = TRUCK	01 = CHASSIS FORWARD CONTROL W.B.1 02 = CAB CHASSIS WHEEL BASE 2 06 = CAB CHASSIS WHEEL BASE 6 11 = VAN WHEEL BASE 1 12 = VAN WHEEL BASE 2 51 = WAGON WHEEL BASE 1 52 = WAGON WHEEL BASE 2 14 = VAN WHEEL BASE 4 15 = VAN WHEEL BASE 5 54 = WAGON WHEEL BASE 4 55 = WAGON WHEEL BASE 5 56 = WAGON WHEEL BASE 6 16 = VAN WHEEL BASE 6	EX8 = 2.7L I5 Turbo Diesel Engine EX9 = 2.7L I5 Mercedes-Benz TD Engine	DGJ = 5-Speed Automatic MB Transmission DGZ = 4-Spd. Automatic MT643 Transmission

AR = use ase required - = Non illustrated part

**Lines,Brake,With ABS,2500/3500 Series
Figure 5-510**

ITEM	PART NUMBER	QTY	LINE	SERIES	BODY	ENGINE	TRANS	TRIM	DESCRIPTION
	05133708AA	1	2, 6		51, 52, 54, 55, 56				
		1	3, 7		02, 06				
		1	3, 7		12, 15, 16				
		1	2, 6		01, 02, 06				
		1	2, 6		11, 12, 14, 15, 16				
	-24								UNION, Brake Line Repair
	05098485AA	1	2, 6		01, 02, 06				
		1	2, 6		11, 12, 14, 15, 16				
		1	2, 6		51, 52, 54, 55, 56				
		1	3, 7		02, 06				
		1	3, 7		12, 15, 16				



SPRINTER (VA)

SERIES

L = LOWLINE
 3 = HD DODGE 2WD
 8 = HD DODGE 4WD
 6 = Lt. Duty DODGE 4WD
 2 = Med. Duty DODGE 2WD
 7 = Med. Duty DODGE 4WD
 4 = TRUCK

LINE

BODY

01 = CHASSIS FORWARD CONTROL W.B.1
 02 = CAB CHASSIS WHEEL BASE 2
 06 = CAB CHASSIS WHEEL BASE 6
 11 = VAN WHEEL BASE 1
 12 = VAN WHEEL BASE 2
 51 = WAGON WHEEL BASE 1
 52 = WAGON WHEEL BASE 2
 14 = VAN WHEEL BASE 4
 15 = VAN WHEEL BASE 5
 54 = WAGON WHEEL BASE 4
 55 = WAGON WHEEL BASE 5
 56 = WAGON WHEEL BASE 6
 16 = VAN WHEEL BASE 6

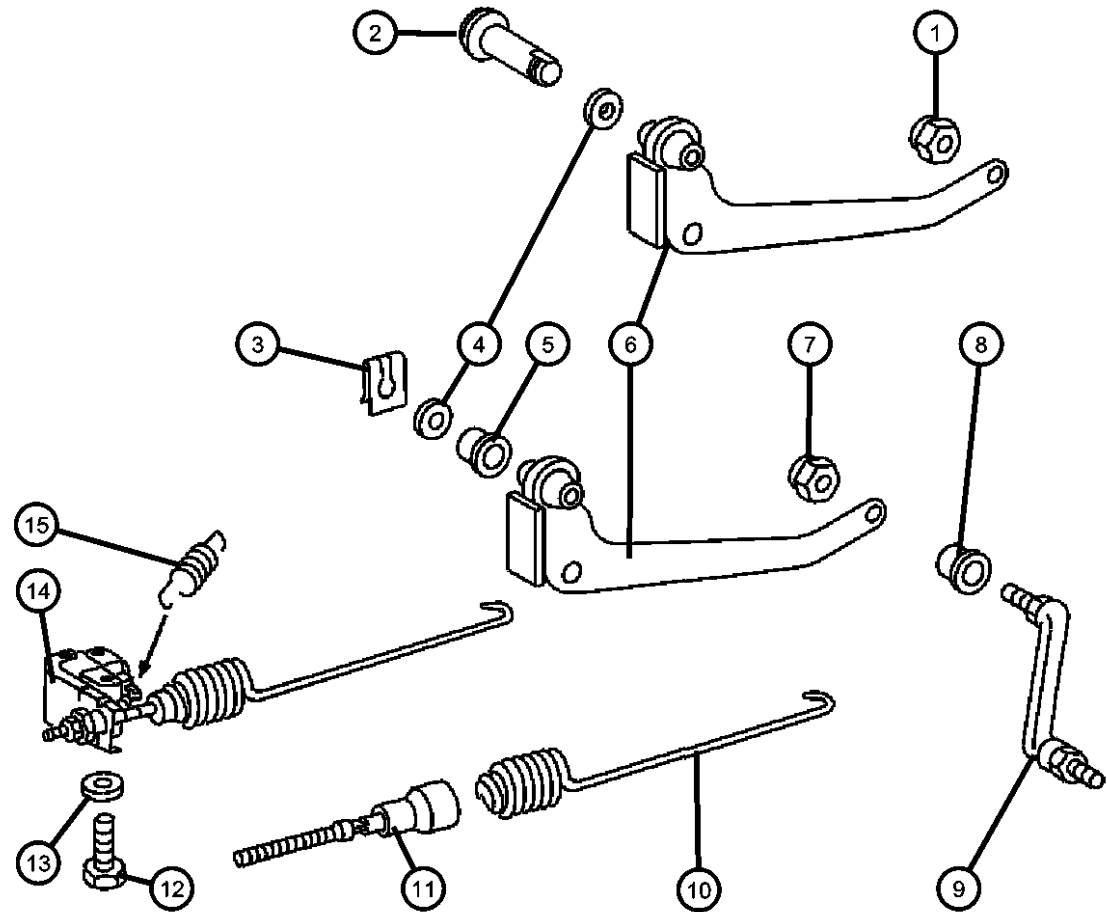
ENGINE

EX8 = 2.7L I5 Turbo Diesel Engine
 EX9 = 2.7L I5 Mercedes-Benz TD Engine

TRANSMISSION

DGJ = 5-Speed Automatic MB Transmission
 DGZ = 4-Spd. Automatic MT643 Transmission

**Brake, Power Regulator
Figure 5-520**



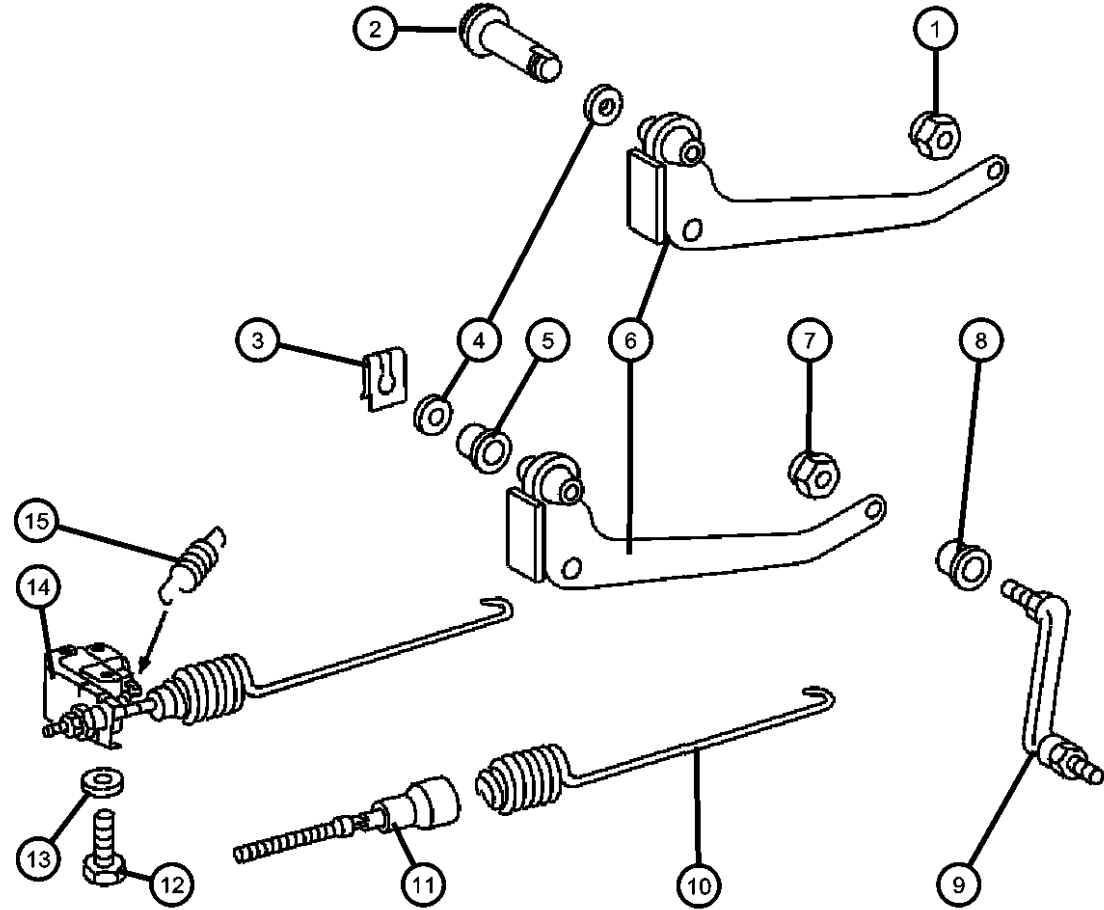
ITEM	PART NUMBER	QTY	LINE	SERIES	BODY	ENGINE	TRANS	TRIM	DESCRIPTION
1	05097684AA	2	2, 3, 6, 7						NUT
2									PIN
	05119385AA	1	3, 7		02, 06				
		1	3, 7		12, 15, 16				
3									CLIP, Retaining
	05126244AA	1	2, 6		01, 02, 06				
		1	2, 6		11, 12, 14, 15, 16				
		1	2, 6		51, 52, 54, 55, 56				
		1	3, 7		02, 06				
		1	3, 7		12, 15, 16				
4									WASHER
	05133725AA	1	2, 6		01, 02, 06				
		1	2, 6		11, 12, 14, 15, 16				
		1	2, 6		51, 52, 54, 55, 56				
		1	3, 7		02, 06				
		1	3, 7		12, 15, 16				
5									BUSHING, Pedal Shaft
	05096550AA	2	2, 6		01, 02, 06				
		2	2, 6		11, 12, 14, 15, 16				
		2	2, 6		51, 52, 54, 55, 56				
		2	3, 7		02, 06				
		2	3, 7		12, 15, 16				
6									LEVER, Load Sensing
	05119337AA	1	2, 6		01, 02, 06				
		1	2, 6		11, 12, 14, 15, 16				

SPRINTER (VA)

SERIES	LINE	BODY	ENGINE	TRANSMISSION
L = LOWLINE	3 = HD DODGE 2WD 8 = HD DODGE 4WD 6 = Lt. Duty DODGE 4WD 2 = Med. Duty DODGE 2WD 7 = Med. Duty DODGE 4WD 4 = TRUCK	01 = CHASSIS FORWARD CONTROL W.B.1 02 = CAB CHASSIS WHEEL BASE 2 06 = CAB CHASSIS WHEEL BASE 6 11 = VAN WHEEL BASE 1 12 = VAN WHEEL BASE 2 51 = WAGON WHEEL BASE 1 52 = WAGON WHEEL BASE 2 14 = VAN WHEEL BASE 4 15 = VAN WHEEL BASE 5 54 = WAGON WHEEL BASE 4 55 = WAGON WHEEL BASE 5 56 = WAGON WHEEL BASE 6 16 = VAN WHEEL BASE 6	EX8 = 2.7L I5 Turbo Diesel Engine EX9 = 2.7L I5 Mercedes-Benz TD Engine	DGJ = 5-Speed Automatic MB Transmission DGZ = 4-Spd. Automatic MT643 Transmission

AR = use ase required - = Non illustrated part

**Brake, Power Regulator
Figure 5-520**



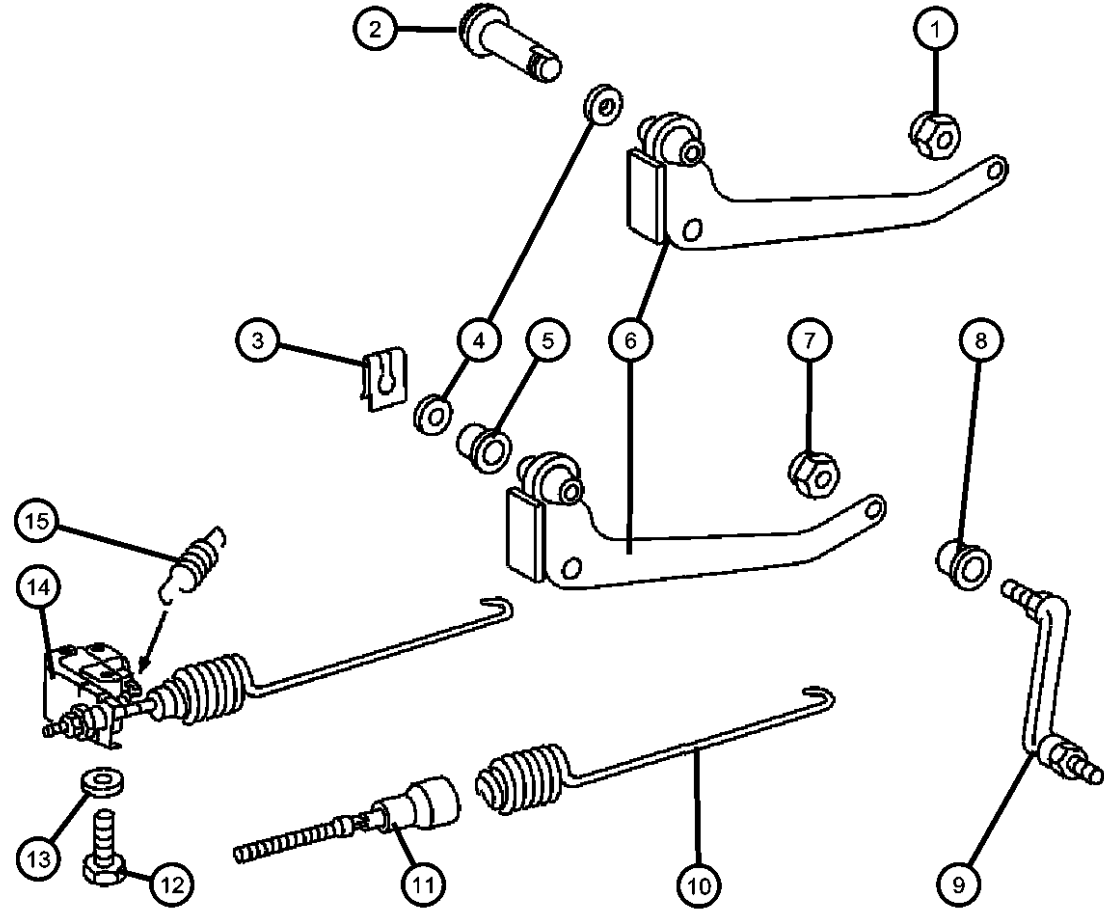
ITEM	PART NUMBER	QTY	LINE	SERIES	BODY	ENGINE	TRANS	TRIM	DESCRIPTION
		1	2, 6		51, 52, 54, 55, 56				
	05119339AA	1	3, 7		02, 06				
7		1	3, 7		12, 15, 16				NUT, Hex
	05097685AA	2	2, 6		01, 02, 06				
		2	2, 6		11, 12, 14, 15, 16				
		2	2, 6		51, 52, 54, 55, 56				
		2	3, 7		02, 06				
		2	3, 7		12, 15, 16				
8									BUSHING
	05118723AA	2	2, 6		51, 52, 54, 55, 56				
		2	3, 7		02, 06				
		2	3, 7		12, 15, 16				
		2	2, 6		01, 02, 06				
		2	2, 6		11, 12, 14, 15, 16				
9									LINK, Load Sensing
	05103920AA	1	2, 6		01, 02, 06				
		1	2, 6		11, 12, 14, 15, 16				
		1	2, 6		51, 52, 54, 55, 56				
		1	3, 7		02, 06				
		1	3, 7		12, 15, 16				
10									SPRING, Load Sensing Lever
	05133722AA	1	2, 6		51, 52, 54, 55, 56				
		1	3, 7		02, 06				

SPRINTER (VA)

SERIES	LINE	BODY	ENGINE	TRANSMISSION
L = LOWLINE	3 = HD DODGE 2WD 8 = HD DODGE 4WD 6 = Lt. Duty DODGE 4WD 2 = Med. Duty DODGE 2WD 7 = Med. Duty DODGE 4WD 4 = TRUCK	01 = CHASSIS FORWARD CONTROL W.B.1 02 = CAB CHASSIS WHEEL BASE 2 06 = CAB CHASSIS WHEEL BASE 6 11 = VAN WHEEL BASE 1 12 = VAN WHEEL BASE 2 51 = WAGON WHEEL BASE 1 52 = WAGON WHEEL BASE 2 14 = VAN WHEEL BASE 4 15 = VAN WHEEL BASE 5 54 = WAGON WHEEL BASE 4 55 = WAGON WHEEL BASE 5 56 = WAGON WHEEL BASE 6 16 = VAN WHEEL BASE 6	EX8 = 2.7L I5 Turbo Diesel Engine EX9 = 2.7L I5 Mercedes-Benz TD Engine	DGJ = 5-Speed Automatic MB Transmission DGZ = 4-Spd. Automatic MT643 Transmission

AR = use ase required - = Non illustrated part

**Brake, Power Regulator
Figure 5-520**



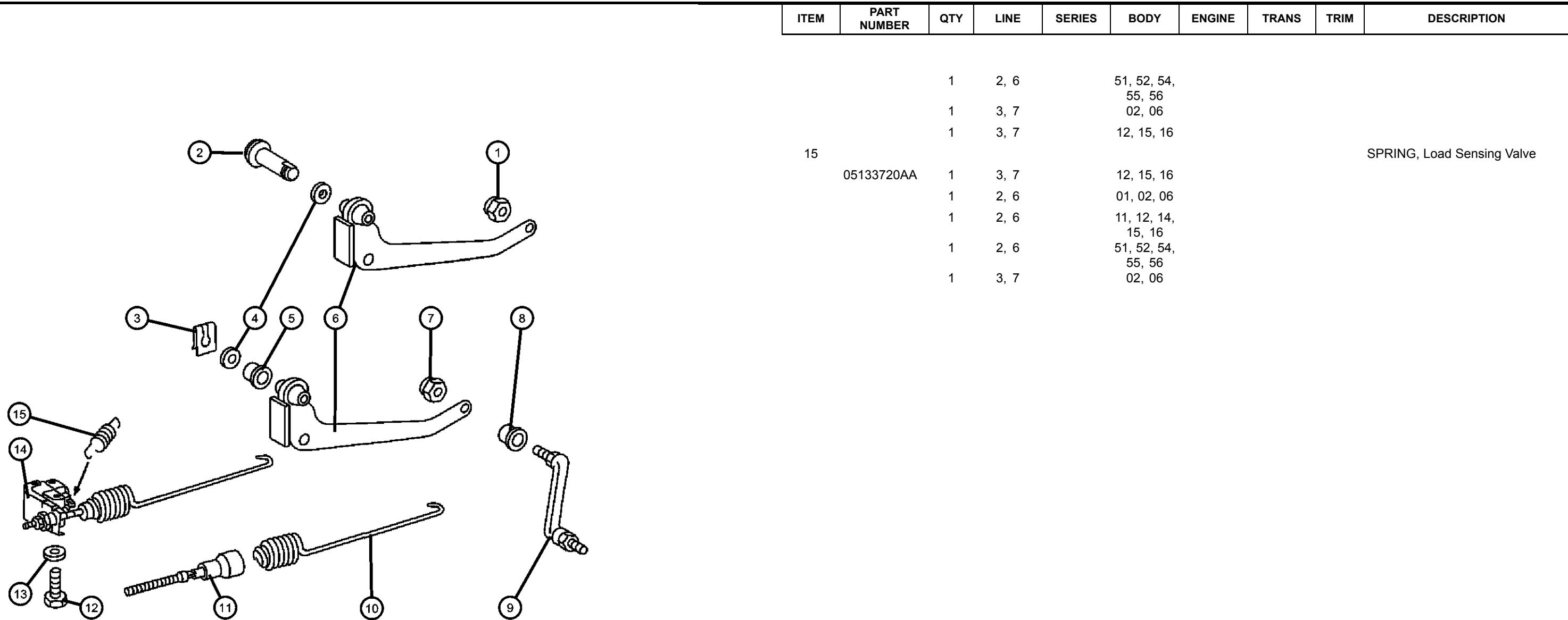
ITEM	PART NUMBER	QTY	LINE	SERIES	BODY	ENGINE	TRANS	TRIM	DESCRIPTION
		1	3, 7		12, 15, 16				
		1	2, 6		01, 02, 06				
		1	2, 6		11, 12, 14, 15, 16				
11									SCREW, Load Sensing Adjustment
	05133723AA	1	2, 6		01, 02, 06				
		1	2, 6		11, 12, 14, 15, 16				
		1	2, 6		51, 52, 54, 55, 56				
		1	3, 7		02, 06				
		1	3, 7		12, 15, 16				
12									BOLT, M8
	05133724AA	2	2, 6		01, 02, 06				
		2	2, 6		11, 12, 14, 15, 16				
		2	2, 6		51, 52, 54, 55, 56				
		2	3, 7		02, 06				
		2	3, 7		12, 15, 16				
13									WASHER
	05104613AA	1	2, 6		01, 02, 06				
		1	2, 6		11, 12, 14, 15, 16				
		1	2, 6		51, 52, 54, 55, 56				
	05104614AA	1	3, 7		02, 06				
		1	3, 7		12, 15, 16				
14									VALVE, Load sensing
	05103824AA	1	2, 6		01, 02, 06				
		1	2, 6		11, 12, 14, 15, 16				

SPRINTER (VA)

SERIES	LINE	BODY	ENGINE	TRANSMISSION
L = LOWLINE	3 = HD DODGE 2WD 8 = HD DODGE 4WD 6 = Lt. Duty DODGE 4WD 2 = Med. Duty DODGE 2WD 7 = Med. Duty DODGE 4WD 4 = TRUCK	01 = CHASSIS FORWARD CONTROL W.B.1 02 = CAB CHASSIS WHEEL BASE 2 06 = CAB CHASSIS WHEEL BASE 6 11 = VAN WHEEL BASE 1 12 = VAN WHEEL BASE 2 51 = WAGON WHEEL BASE 1 52 = WAGON WHEEL BASE 2 14 = VAN WHEEL BASE 4 15 = VAN WHEEL BASE 5 54 = WAGON WHEEL BASE 4 55 = WAGON WHEEL BASE 5 56 = WAGON WHEEL BASE 6 16 = VAN WHEEL BASE 6	EX8 = 2.7L I5 Turbo Diesel Engine EX9 = 2.7L I5 Mercedes-Benz TD Engine	DGJ = 5-Speed Automatic MB Transmission DGZ = 4-Spd. Automatic MT643 Transmission

AR = use ase required - = Non illustrated part

**Brake, Power Regulator
Figure 5-520**

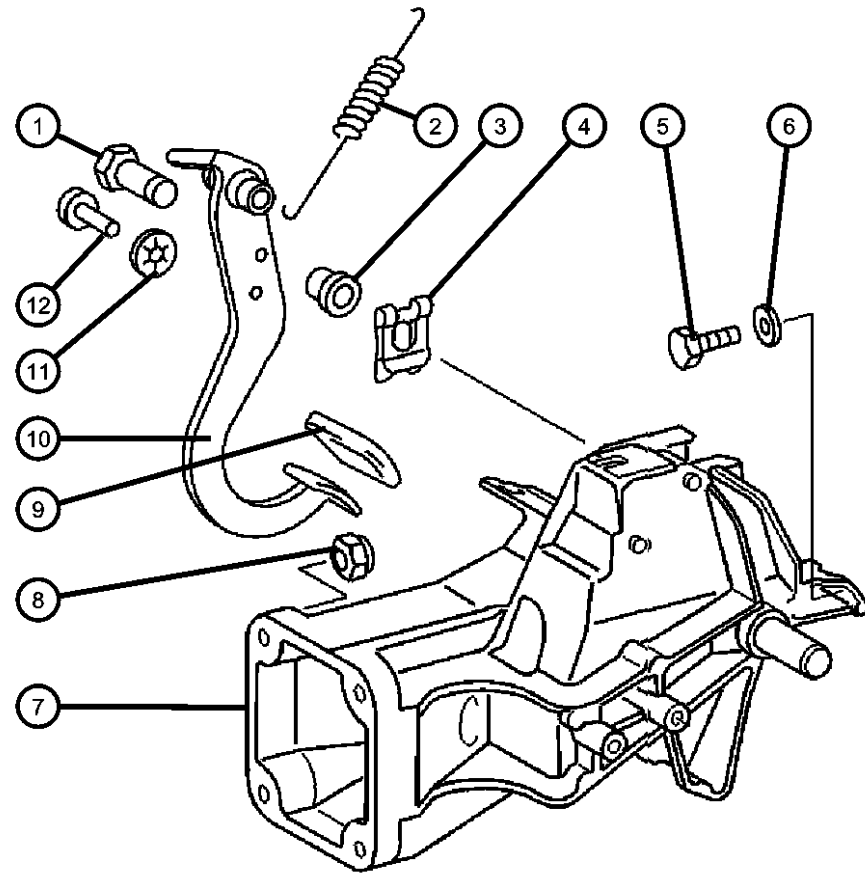


SPRINTER (VA)

SERIES	LINE	BODY	ENGINE	TRANSMISSION
L = LOWLINE	3 = HD DODGE 2WD 8 = HD DODGE 4WD 6 = Lt. Duty DODGE 4WD 2 = Med. Duty DODGE 2WD 7 = Med. Duty DODGE 4WD 4 = TRUCK	01 = CHASSIS FORWARD CONTROL W.B.1 02 = CAB CHASSIS WHEEL BASE 2 06 = CAB CHASSIS WHEEL BASE 6 11 = VAN WHEEL BASE 1 12 = VAN WHEEL BASE 2 51 = WAGON WHEEL BASE 1 52 = WAGON WHEEL BASE 2 14 = VAN WHEEL BASE 4 15 = VAN WHEEL BASE 5 54 = WAGON WHEEL BASE 4 55 = WAGON WHEEL BASE 5 56 = WAGON WHEEL BASE 6 16 = VAN WHEEL BASE 6	EX8 = 2.7L I5 Turbo Diesel Engine EX9 = 2.7L I5 Mercedes-Benz TD Engine	DGJ = 5-Speed Automatic MB Transmission DGZ = 4-Spd. Automatic MT643 Transmission

AR = use ase required - = Non illustrated part

**Pedal Brake
Figure 5-610**



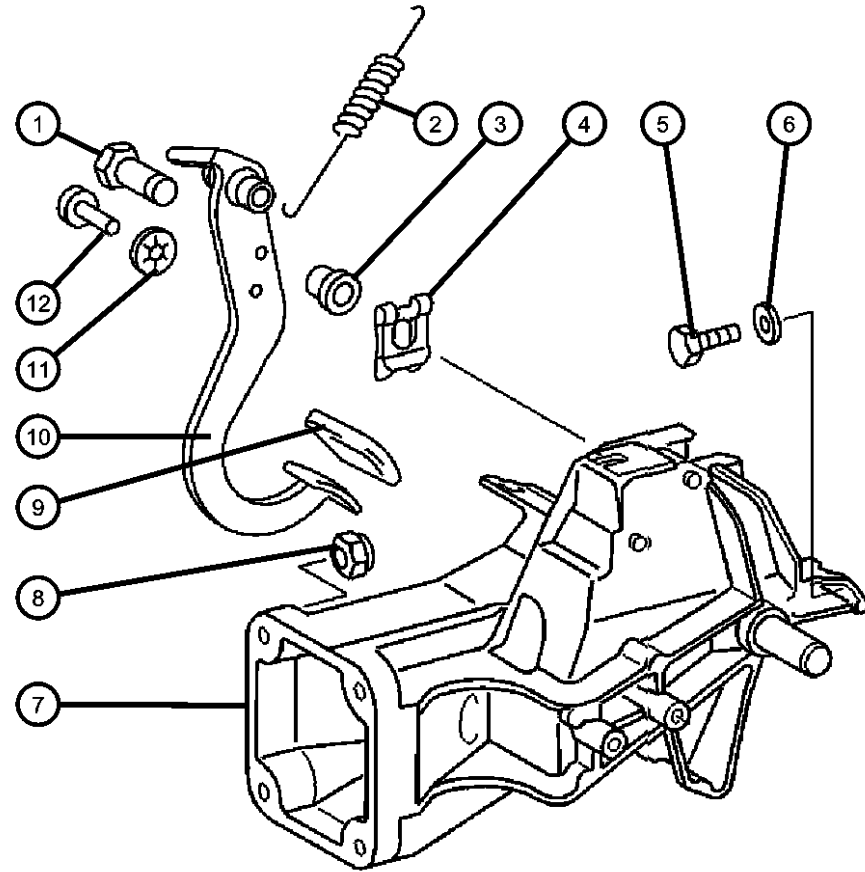
ITEM	PART NUMBER	QTY	LINE	SERIES	BODY	ENGINE	TRANS	TRIM	DESCRIPTION
1									PIN, Brake Pedal Pivot Shaft
	05117911AA	1	2, 6		01, 02, 06				
		1	2, 6		11, 12, 14, 15, 16				
		1	2, 6		51, 52, 54, 55, 56				
		1	3, 7		02, 06				
		1	3, 7		12, 15, 16				
2									SPRING, Brake Pedal Return
	05125847AA	1	2, 6		01, 02, 06				
		1	2, 6		11, 12, 14, 15, 16				
		1	2, 6		51, 52, 54, 55, 56				
		1	3, 7		02, 06				
		1	3, 7		12, 15, 16				
3									BUSHING, Pedal Shaft
	05096550AA	2	2, 6		01, 02, 06				
		2	2, 6		11, 12, 14, 15, 16				
		2	2, 6		51, 52, 54, 55, 56				
		2	3, 7		02, 06				
		2	3, 7		12, 15, 16				
4									RETAINER
	05125872AA	1	2, 6		11, 12, 14, 15, 16				
		1	2, 6		51, 52, 54, 55, 56				
		1	3, 7		02, 06				
		1	3, 7		12, 15, 16				
		1	2, 6		01, 02, 06				

SPRINTER (VA)

SERIES	LINE	BODY	ENGINE	TRANSMISSION
L = LOWLINE	3 = HD DODGE 2WD 8 = HD DODGE 4WD 6 = Lt. Duty DODGE 4WD 2 = Med. Duty DODGE 2WD 7 = Med. Duty DODGE 4WD 4 = TRUCK	01 = CHASSIS FORWARD CONTROL W.B.1 02 = CAB CHASSIS WHEEL BASE 2 06 = CAB CHASSIS WHEEL BASE 6 11 = VAN WHEEL BASE 1 12 = VAN WHEEL BASE 2 51 = WAGON WHEEL BASE 1 52 = WAGON WHEEL BASE 2 14 = VAN WHEEL BASE 4 15 = VAN WHEEL BASE 5 54 = WAGON WHEEL BASE 4 55 = WAGON WHEEL BASE 5 56 = WAGON WHEEL BASE 6 16 = VAN WHEEL BASE 6	EX8 = 2.7L I5 Turbo Diesel Engine EX9 = 2.7L I5 Mercedes-Benz TD Engine	DGJ = 5-Speed Automatic MB Transmission DGZ = 4-Spd. Automatic MT643 Transmission

AR = use ase required - = Non illustrated part

**Pedal Brake
Figure 5-610**



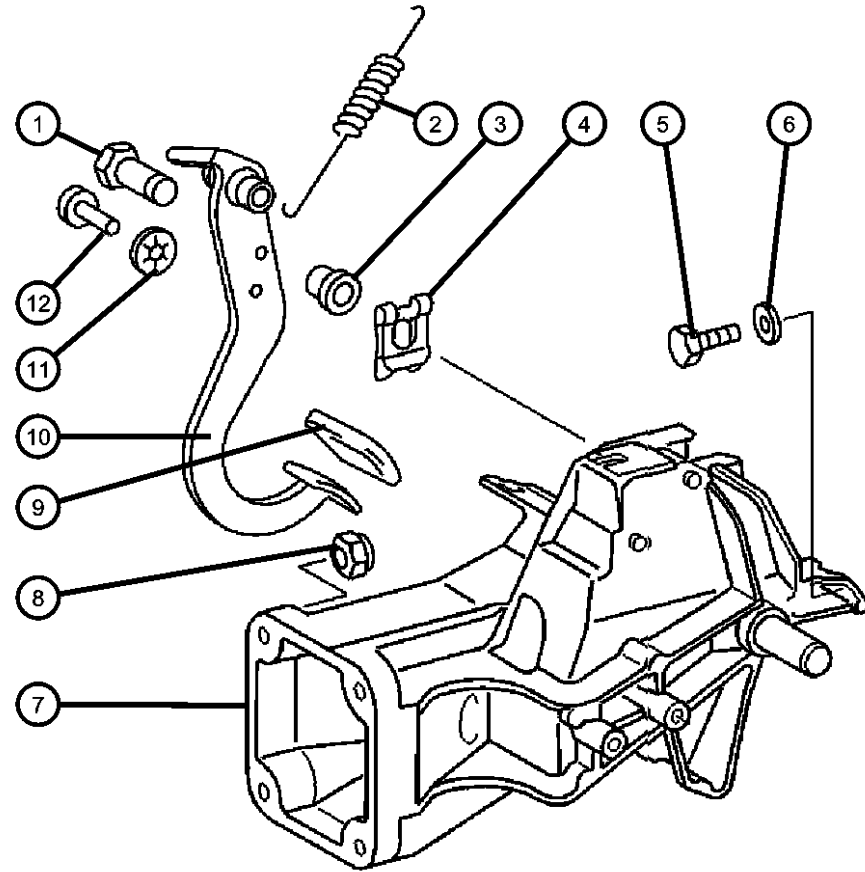
ITEM	PART NUMBER	QTY	LINE	SERIES	BODY	ENGINE	TRANS	TRIM	DESCRIPTION
5									BOLT
	05126231AA	1	2, 6		01, 02, 06				Bracket to Firewall, Mounting
		1	2, 6		11, 12, 14, 15, 16				Bracket to Firewall, Mounting
		1	2, 6		51, 52, 54, 55, 56				Bracket to Firewall, Mounting
		1	3, 7		02, 06				Bracket to Firewall, Mounting
		1	3, 7		12, 15, 16				Bracket to Firewall, Mounting
6									WASHER, Flat
	05098108AA	1	2, 6		11, 12, 14, 15, 16				Bracket to Firewall, Mounting
		1	2, 6		01, 02, 06				Bracket to Firewall, Mounting
		1	2, 6		51, 52, 54, 55, 56				Bracket to Firewall, Mounting
		1	3, 7		12, 15, 16				Bracket to Firewall, Mounting
		1	3, 7		02, 06				Bracket to Firewall, Mounting
7									BRACKET, Brake Pedal
	05128211AA	1	2, 6		01, 02, 06				
		1	2, 6		11, 12, 14, 15, 16				
		1	2, 6		51, 52, 54, 55, 56				
		1	3, 7		02, 06				
		1	3, 7		12, 15, 16				
8									NUT
	06104716AA	4	2, 6		01, 02, 06				
		4	2, 6		11, 12, 14, 15, 16				
		4	2, 6		51, 52, 54, 55, 56				
		4	3, 7		02, 06				
		4	3, 7		12, 15, 16				

SPRINTER (VA)

SERIES	LINE	BODY	ENGINE	TRANSMISSION
L = LOWLINE	3 = HD DODGE 2WD 8 = HD DODGE 4WD 6 = Lt. Duty DODGE 4WD 2 = Med. Duty DODGE 2WD 7 = Med. Duty DODGE 4WD 4 = TRUCK	01 = CHASSIS FORWARD CONTROL W.B.1 02 = CAB CHASSIS WHEEL BASE 2 06 = CAB CHASSIS WHEEL BASE 6 11 = VAN WHEEL BASE 1 12 = VAN WHEEL BASE 2 51 = WAGON WHEEL BASE 1 52 = WAGON WHEEL BASE 2 14 = VAN WHEEL BASE 4 15 = VAN WHEEL BASE 5 54 = WAGON WHEEL BASE 4 55 = WAGON WHEEL BASE 5 56 = WAGON WHEEL BASE 6 16 = VAN WHEEL BASE 6	EX8 = 2.7L I5 Turbo Diesel Engine EX9 = 2.7L I5 Mercedes-Benz TD Engine	DGJ = 5-Speed Automatic MB Transmission DGZ = 4-Spd. Automatic MT643 Transmission

AR = use ase required - = Non illustrated part

**Pedal Brake
Figure 5-610**



ITEM	PART NUMBER	QTY	LINE	SERIES	BODY	ENGINE	TRANS	TRIM	DESCRIPTION
9									PAD, Pedal
	05104017AA	1	2, 6		51, 52, 54, 55, 56				
		1	2, 6		01, 02, 06				
		1	2, 6		11, 12, 14, 15, 16				
		1	3, 7		02, 06				
		1	3, 7		12, 15, 16				
10									PEDAL, Brake
	05104045AA	1	2, 6		01, 02, 06				
		1	2, 6		11, 12, 14, 15, 16				
		1	2, 6		51, 52, 54, 55, 56				
		1	3, 7		02, 06				
		1	3, 7		12, 15, 16				
11									CLIP, Spring
	05097670AA	1	2, 6		01, 02, 06				
		1	2, 6		11, 12, 14, 15, 16				
		1	2, 6		51, 52, 54, 55, 56				
		1	3, 7		02, 06				
		1	3, 7		12, 15, 16				
12									PIN, Brake Pedal Pivot Shaft
	05117903AA	1	2, 6		01, 02, 06				
		1	2, 6		11, 12, 14, 15, 16				
		1	2, 6		51, 52, 54, 55, 56				
		1	3, 7		02, 06				
		1	3, 7		12, 15, 16				

SPRINTER (VA)

SERIES	LINE	BODY	ENGINE	TRANSMISSION
L = LOWLINE	3 = HD DODGE 2WD 8 = HD DODGE 4WD 6 = Lt. Duty DODGE 4WD 2 = Med. Duty DODGE 2WD 7 = Med. Duty DODGE 4WD 4 = TRUCK	01 = CHASSIS FORWARD CONTROL W.B.1 02 = CAB CHASSIS WHEEL BASE 2 06 = CAB CHASSIS WHEEL BASE 6 11 = VAN WHEEL BASE 1 12 = VAN WHEEL BASE 2 51 = WAGON WHEEL BASE 1 52 = WAGON WHEEL BASE 2 14 = VAN WHEEL BASE 4 15 = VAN WHEEL BASE 5 54 = WAGON WHEEL BASE 4 55 = WAGON WHEEL BASE 5 56 = WAGON WHEEL BASE 6 16 = VAN WHEEL BASE 6	EX8 = 2.7L I5 Turbo Diesel Engine EX9 = 2.7L I5 Mercedes-Benz TD Engine	DGJ = 5-Speed Automatic MB Transmission DGZ = 4-Spd. Automatic MT643 Transmission

AR = use ase required - = Non illustrated part

Group - 7

Cooling

Group - 7 Cooling

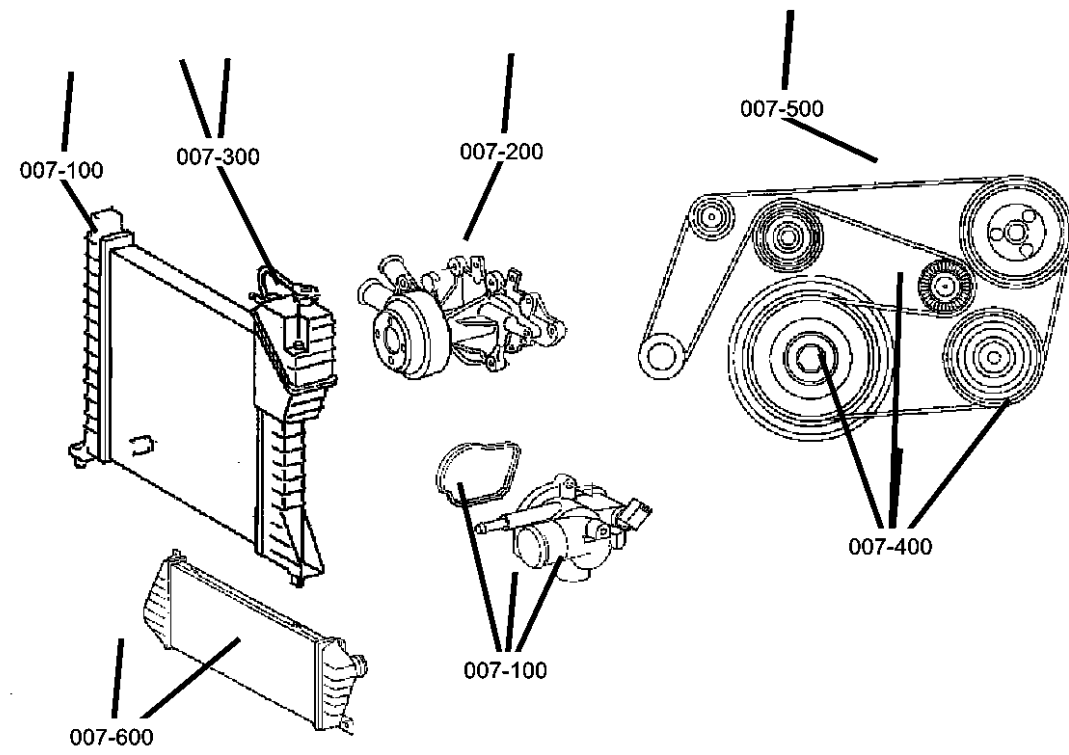


Illustration Title

Group-Fig. No.

Radiator and Related Parts

Radiator and Related Parts Fig. 7 - 120
 Charge Air Intercooler Fig. 7 - 130

Water Pump and Related Parts

Water Pump and Related Parts Fig. 7 - 210

Pulleys and Related Parts

Drive Pulleys Fig. 7 - 410

Drive Belts

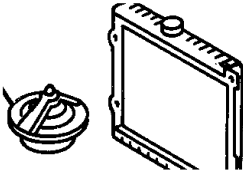
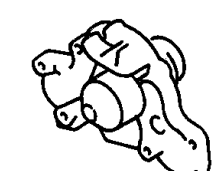
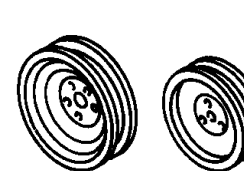
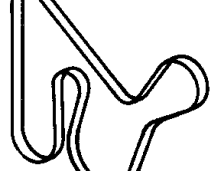
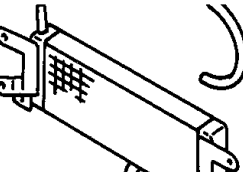
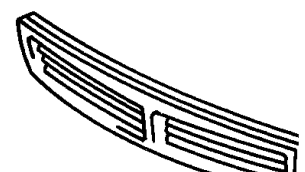
Drive Belts Fig. 7 - 520

Lines, Transmission Oil Cooler

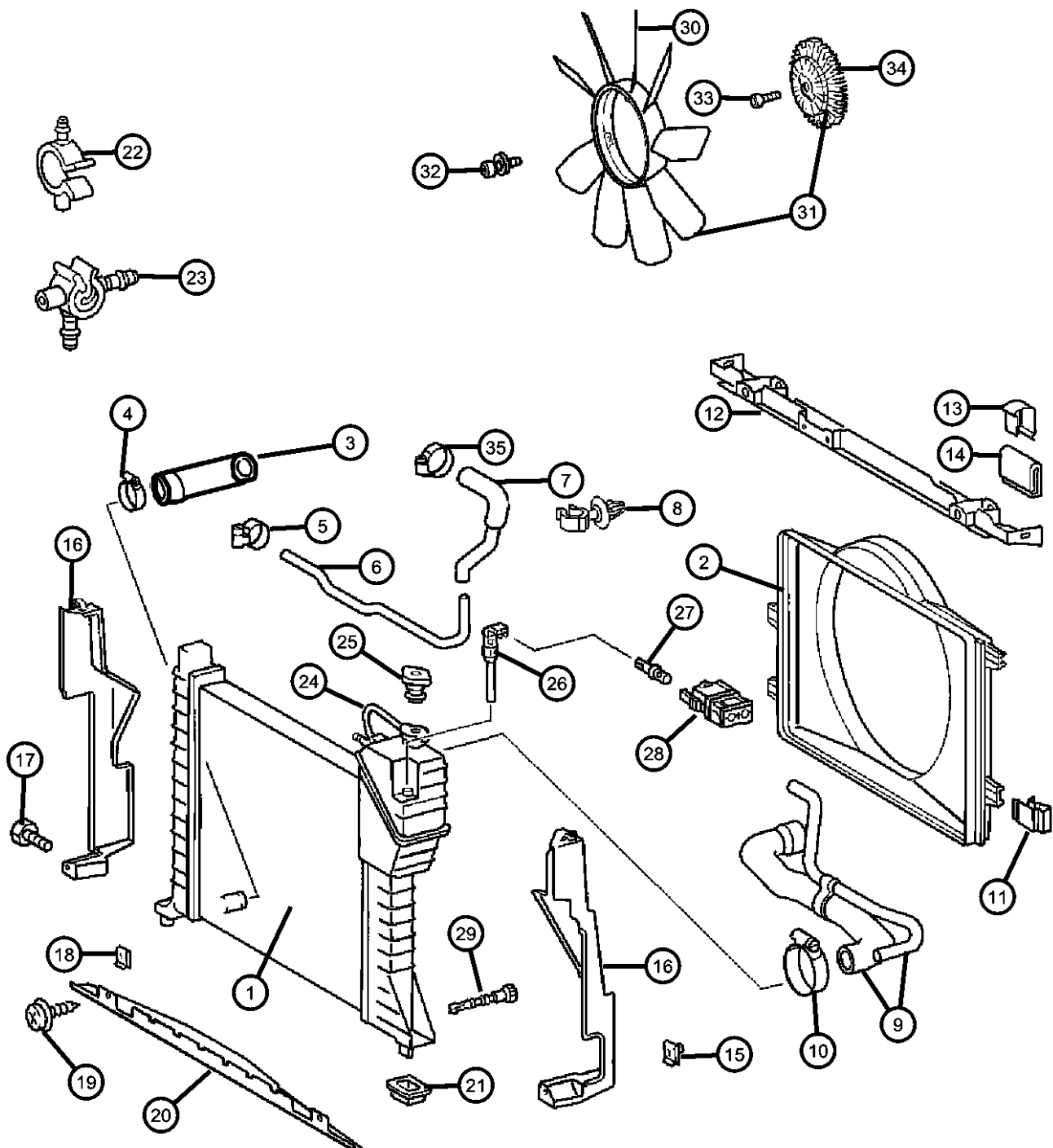
Oil Cooler Lines Fig. 7 - 610

Grilles

Grille and Related Parts Fig. 7 - 710

<p>007-100 Radiator and Related Parts</p> 	<p>007-200 Water Pump and Related Parts</p> 	<p>007-400 Pulleys and Related Parts</p> 	<p>007-500 Drive Belts</p> 
<p>007-600 Lines, Transmission Oil Cooler</p> 	<p>007-700 Grilles</p> 		

Radiator and Related Parts
Figure 7-120



ITEM	PART NUMBER	QTY	LINE	SERIES	BODY	ENGINE	TRANS	TRIM	DESCRIPTION
------	-------------	-----	------	--------	------	--------	-------	------	-------------

NOTES: Sales Codes:
[EK8] = 2.7L I5 Turbo Diesel Engine

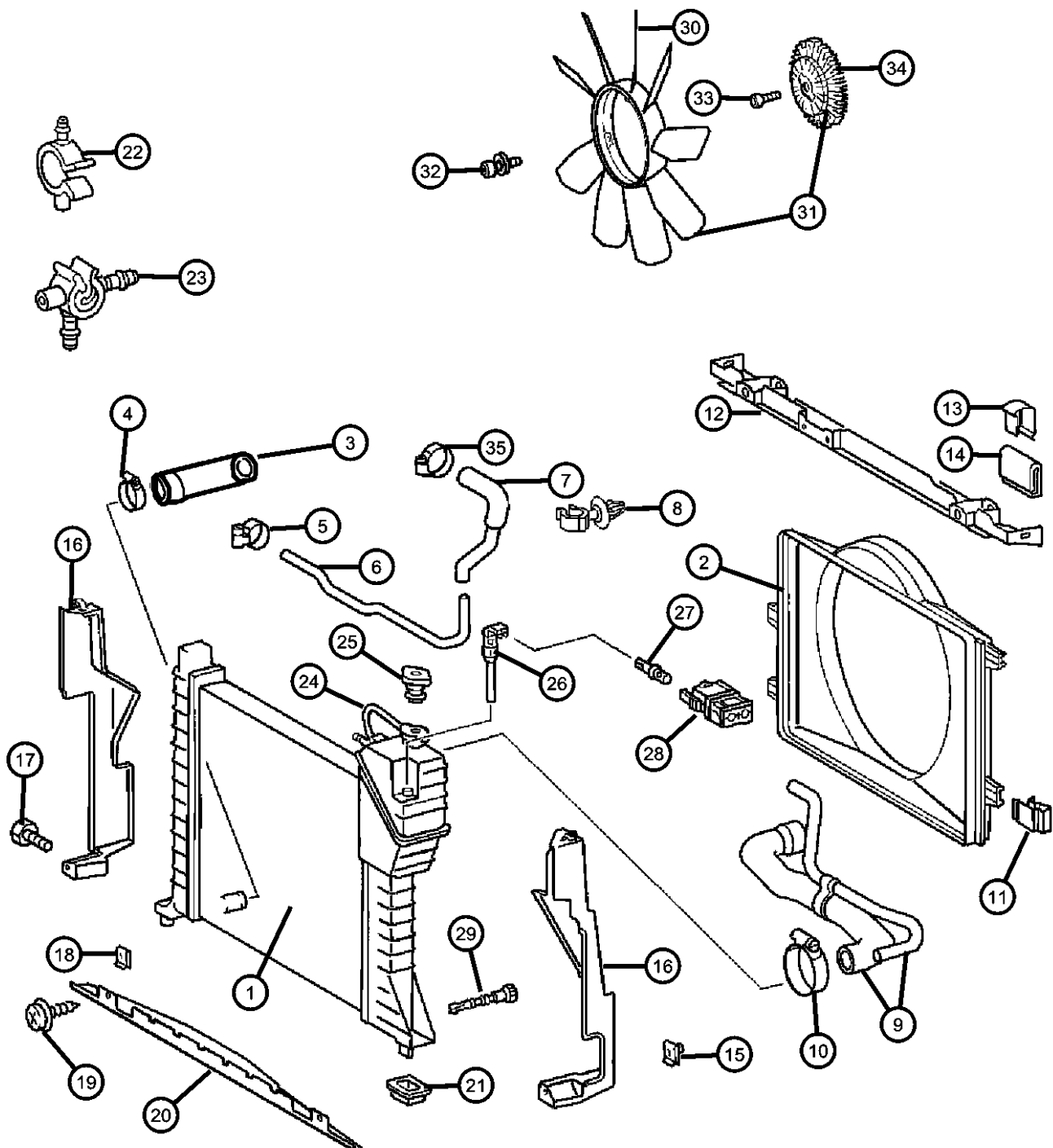
1	05104117AA	1	2, 6			EX8	DGZ		RADIATOR
	05066386AA	1	3, 7			EX8	DGZ		Mopar Coolant 5 Year/100,000 Mile Formula 1 Gallon
	05066386AA	1	3, 7			EX8	DGZ		Mopar Coolant 5 Year/100,000 Mile Formula 1 Gallon
2	05104130AA	1	2, 6			EX8	DGZ		SHROUD, Fan
		1	3, 7			EX8	DGZ		
3	05135342AA	1	2, 6			EX8	DGZ		HOSE, Coolant
		1	3, 7			EX8	DGZ		
4	06104785AA	2	2, 6			EX8	DGZ		CLAMP, Hose
		2	3, 7			EX8	DGZ		
5	06104779AA	3	2, 6			EX8	DGZ		CLAMP, HOSE CLAMP
		3	3, 7			EX8	DGZ		
6	05104118AA	1	2, 6			EX8	DGZ		PIPE
7	05103580AA	1	2, 6			EX8	DGZ		HOSE, Radiator
		1	3, 7			EX8	DGZ		
8	05125879AA	4	2, 6			EX8	DGZ		CLIP, Cable
		4	3, 7			EX8	DGZ		
9									HOSE, Radiator Inlet

SPRINTER (VA)

SERIES	LINE	BODY	ENGINE	TRANSMISSION
L = LOWLINE	3 = HD DODGE 2WD 8 = HD DODGE 4WD 6 = Lt. Duty DODGE 4WD 2 = Med. Duty DODGE 2WD 7 = Med. Duty DODGE 4WD 4 = TRUCK	01 = CHASSIS FORWARD CONTROL W.B.1 02 = CAB CHASSIS WHEEL BASE 2 06 = CAB CHASSIS WHEEL BASE 6 11 = VAN WHEEL BASE 1 12 = VAN WHEEL BASE 2 51 = WAGON WHEEL BASE 1 52 = WAGON WHEEL BASE 2 14 = VAN WHEEL BASE 4 15 = VAN WHEEL BASE 5 54 = WAGON WHEEL BASE 4 55 = WAGON WHEEL BASE 5 56 = WAGON WHEEL BASE 6 16 = VAN WHEEL BASE 6	EX8 = 2.7L I5 Turbo Diesel Engine EX9 = 2.7L I5 Mercedes-Benz TD Engine	DGJ = 5-Speed Automatic MB Transmission DGZ = 4-Spd. Automatic MT643 Transmission

AR = use ase required - = Non illustrated part

**Radiator and Related Parts
Figure 7-120**



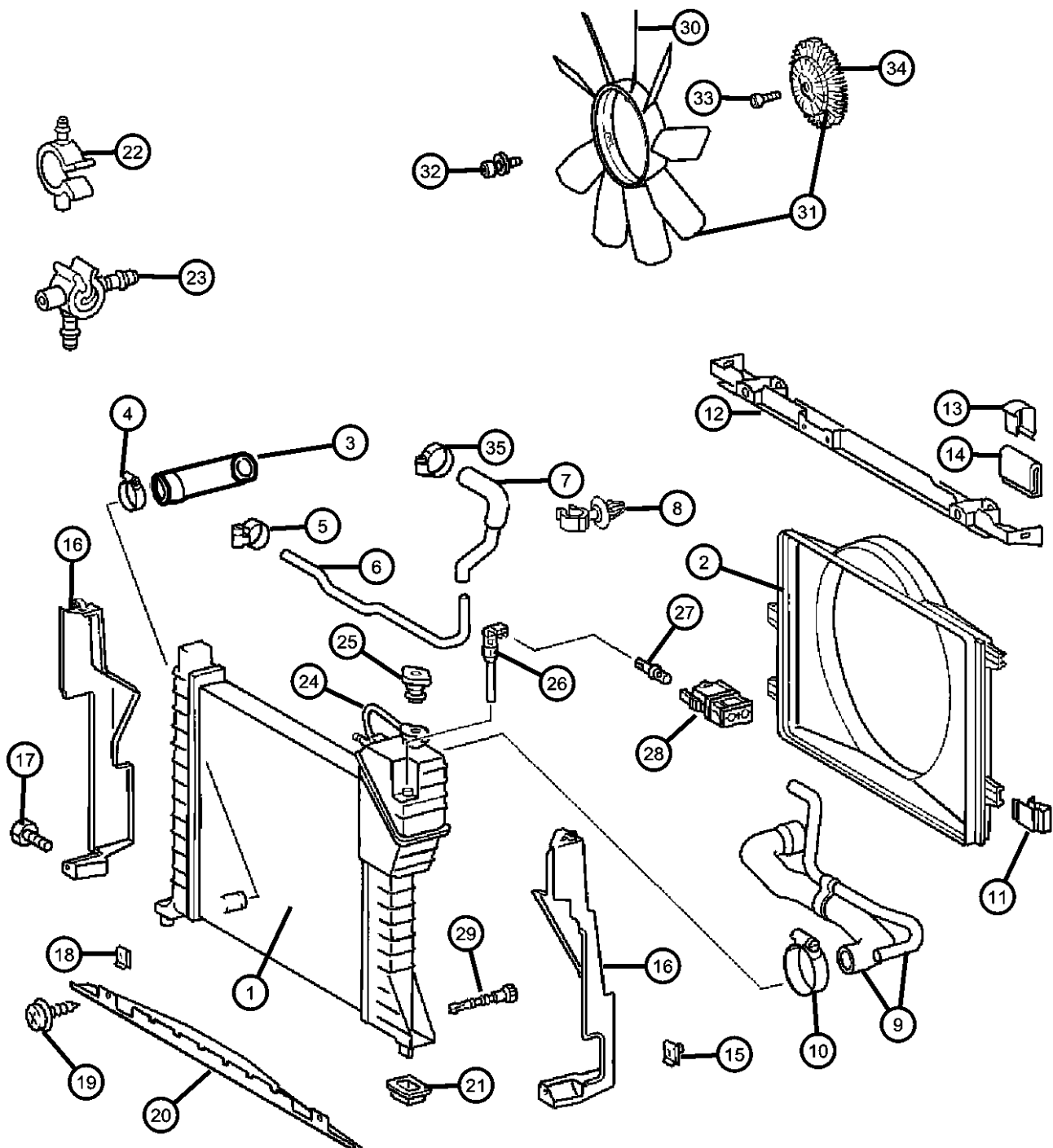
ITEM	PART NUMBER	QTY	LINE	SERIES	BODY	ENGINE	TRANS	TRIM	DESCRIPTION
	05103582AA	1	3, 7			EX8	DGZ		
		1	2, 6			EX8	DGZ		
10	06104784AA	2	2, 6			EX8	DGZ		CLAMP, Hose
		2	3, 7			EX8	DGZ		
11	05099355AA	4	2, 6			EX8	DGZ		CLIP, Fan Shroud
		4	3, 7			EX8	DGZ		
12	05104125AA	1	2, 6			EX8	DGZ		COVER, Radiator
		1	3, 7			EX8	DGZ		
13	05104122AA	2	2, 6			EX8	DGZ		CLAMP, Radiator
		2	3, 7			EX8	DGZ		
14	05104123AA	2	2, 6			EX8	DGZ		ISOLATOR, Radiator
		2	3, 7			EX8	DGZ		
15	05103733AA	3	2, 6			EX8	DGZ		NUT
		3	3, 7			EX8	DGZ		
16	05104127AA	1	2, 6			EX8	DGZ		SHIELD, Side, Radiator Cooling
		1	3, 7			EX8	DGZ		Left
	05104128AA	1	2, 6			EX8	DGZ		Right
		1	3, 7			EX8	DGZ		Right
17	05133476AB	3	2, 6			EX8	DGZ		SCREW

SPRINTER (VA)

SERIES	LINE	BODY	ENGINE	TRANSMISSION
L = LOWLINE	3 = HD DODGE 2WD 8 = HD DODGE 4WD 6 = Lt. Duty DODGE 4WD 2 = Med. Duty DODGE 2WD 7 = Med. Duty DODGE 4WD 4 = TRUCK	01 = CHASSIS FORWARD CONTROL W.B.1 02 = CAB CHASSIS WHEEL BASE 2 06 = CAB CHASSIS WHEEL BASE 6 11 = VAN WHEEL BASE 1 12 = VAN WHEEL BASE 2 51 = WAGON WHEEL BASE 1 52 = WAGON WHEEL BASE 2 14 = VAN WHEEL BASE 4 15 = VAN WHEEL BASE 5 54 = WAGON WHEEL BASE 4 55 = WAGON WHEEL BASE 5 56 = WAGON WHEEL BASE 6 16 = VAN WHEEL BASE 6	EX8 = 2.7L I5 Turbo Diesel Engine EX9 = 2.7L I5 Mercedes-Benz TD Engine	DGJ = 5-Speed Automatic MB Transmission DGZ = 4-Spd. Automatic MT643 Transmission

AR = use ase required - = Non illustrated part

Radiator and Related Parts
Figure 7-120



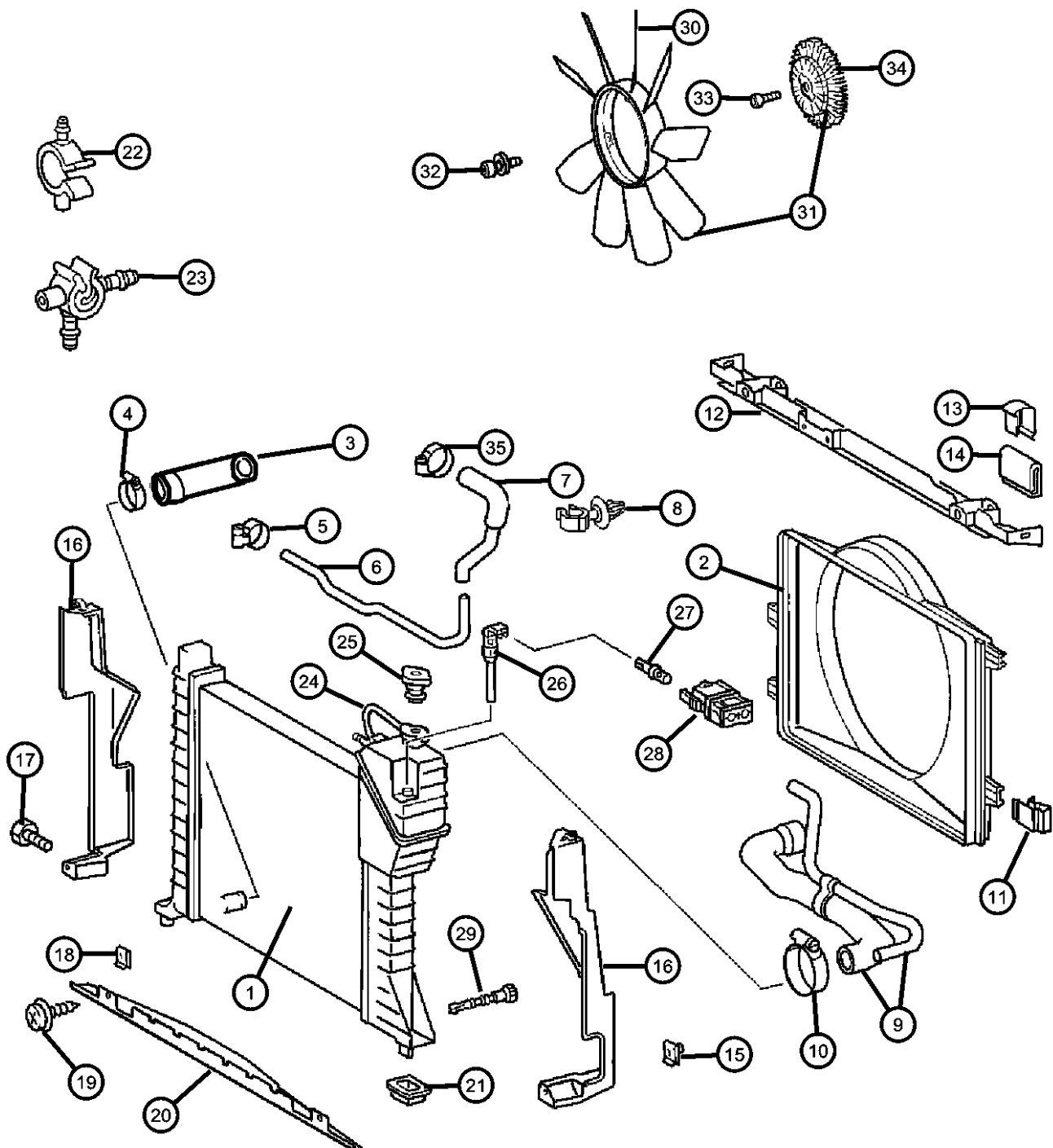
ITEM	PART NUMBER	QTY	LINE	SERIES	BODY	ENGINE	TRANS	TRIM	DESCRIPTION
18		2	3, 7			EX8	DGZ		CLIP
	05133497AA	2	2, 6			EX8	DGZ		
		2	3, 7			EX8	DGZ		
19		2	2, 6			EX8	DGZ		SCREW, Tapping
	06104574AA	2	2, 6			EX8	DGZ		
		4	3, 7			EX8	DGZ		
20		1	2, 6			EX8	DGZ		SHIELD, Radiator
	05104129AA	1	2, 6			EX8	DGZ		
		1	3, 7			EX8	DGZ		
21		2	2, 6			EX8	DGZ		ISOLATOR, Radiator
	05104021AA	2	2, 6			EX8	DGZ		
		2	3, 7			EX8	DGZ		
22		2							CLIP, (NOT SERVICED)
23									CLIP, Retaining
	06104924AA	1	2, 6			EX8	DGZ		
		1	3, 7			EX8	DGZ		
24	05125974AA	900	3, 7			EX8	DGZ		HOSE 1 METER, 50 Meters Long
25									CAP, Radiator
	05103533AA	1	2, 6			EX8	DGZ		
		1	3, 7			EX8	DGZ		
26		1	2, 6			EX8	DGZ		SENSOR, Coolant Level
	05120509AA	1	2, 6			EX8	DGZ		
		1	3, 7			EX8	DGZ		
27		1	2, 6			EX8	DGZ		TERMINAL
	05120519AA	1	2, 6			EX8	DGZ		
		1	3, 7			EX8	DGZ		

SPRINTER (VA)

SERIES	LINE	BODY	ENGINE	TRANSMISSION
L = LOWLINE	3 = HD DODGE 2WD 8 = HD DODGE 4WD 6 = Lt. Duty DODGE 4WD 2 = Med. Duty DODGE 2WD 7 = Med. Duty DODGE 4WD 4 = TRUCK	01 = CHASSIS FORWARD CONTROL W.B.1 02 = CAB CHASSIS WHEEL BASE 2 06 = CAB CHASSIS WHEEL BASE 6 11 = VAN WHEEL BASE 1 12 = VAN WHEEL BASE 2 51 = WAGON WHEEL BASE 1 52 = WAGON WHEEL BASE 2 14 = VAN WHEEL BASE 4 15 = VAN WHEEL BASE 5 54 = WAGON WHEEL BASE 4 55 = WAGON WHEEL BASE 5 56 = WAGON WHEEL BASE 6 16 = VAN WHEEL BASE 6	EX8 = 2.7L I5 Turbo Diesel Engine EX9 = 2.7L I5 Mercedes-Benz TD Engine	DGJ = 5-Speed Automatic MB Transmission DGZ = 4-Spd. Automatic MT643 Transmission

AR = use ase required - = Non illustrated part

**Radiator and Related Parts
Figure 7-120**



ITEM	PART NUMBER	QTY	LINE	SERIES	BODY	ENGINE	TRANS	TRIM	DESCRIPTION
28	05120692AA	1	2, 6			EX8	DGZ		CONNECTOR
		1	3, 7			EX8	DGZ		
29	05098834AA	1	2, 6			EX8	DGZ		DRAINCOCK, Radiator
		1	3, 7			EX8	DGZ		
30	05136052AA	1	2, 6			EX8	DGZ		FAN, Cooling
		1	3, 7			EX8	DGZ		
31	05117642AA	1	2, 6			EX8	DGZ		FAN, Cooling
		1	3, 7			EX8	DGZ		Fan Blade And Clutch Assembly
32		1							SCREW, (NOT SERVICED)
33	05104618AA	1	2, 6			EX8	DGZ		SCREW, Hitch Ball
		1	3, 7			EX8	DGZ		
34	05103623AA	1	2, 6			EX8	DGJ		DRIVE, Fan
		1	3, 7			EX8	DGJ		
35	05133494AA	1	2, 6			EX8	DGZ		CLAMP
		1	3, 7			EX8	DGZ		

SPRINTER (VA)

SERIES
L = LOWLINE

LINE

3 = HD DODGE 2WD
8 = HD DODGE 4WD
6 = Lt. Duty DODGE 4WD
2 = Med. Duty DODGE 2WD
7 = Med. Duty DODGE 4WD
4 = TRUCK

BODY

01 = CHASSIS FORWARD CONTROL W.B.1
02 = CAB CHASSIS WHEEL BASE 2
06 = CAB CHASSIS WHEEL BASE 6
11 = VAN WHEEL BASE 1
12 = VAN WHEEL BASE 2
51 = WAGON WHEEL BASE 1
52 = WAGON WHEEL BASE 2
14 = VAN WHEEL BASE 4
15 = VAN WHEEL BASE 5
54 = WAGON WHEEL BASE 4
55 = WAGON WHEEL BASE 5
56 = WAGON WHEEL BASE 6
16 = VAN WHEEL BASE 6

ENGINE

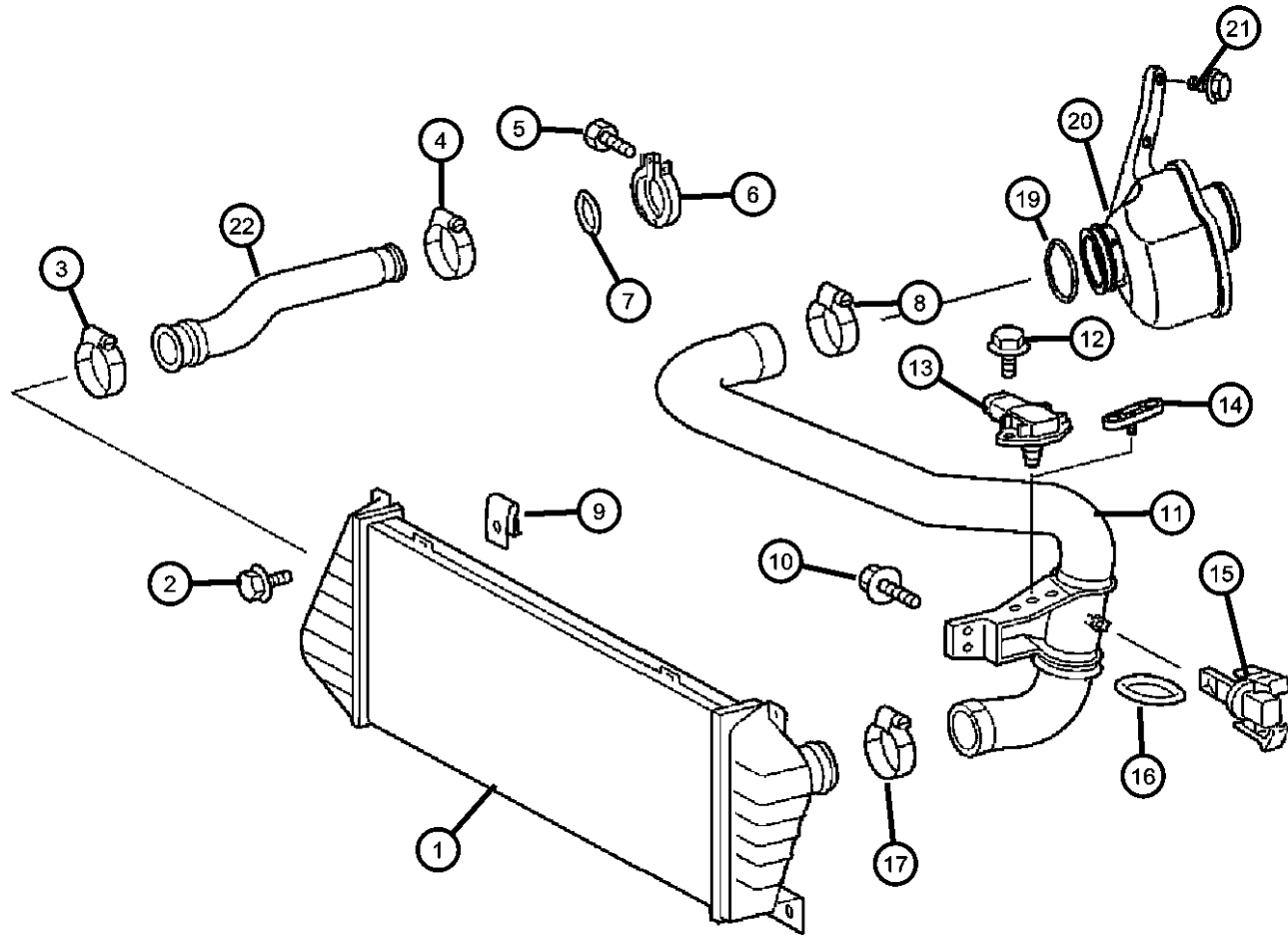
EX8 = 2.7L I5 Turbo Diesel Engine
EX9 = 2.7L I5 Mercedes-Benz TD Engine

TRANSMISSION

DGJ = 5-Speed Automatic MB Transmission
DGZ = 4-Spd. Automatic MT643 Transmission

AR = use ase required - = Non illustrated part

**Charge Air Intercooler
Figure 7-130**



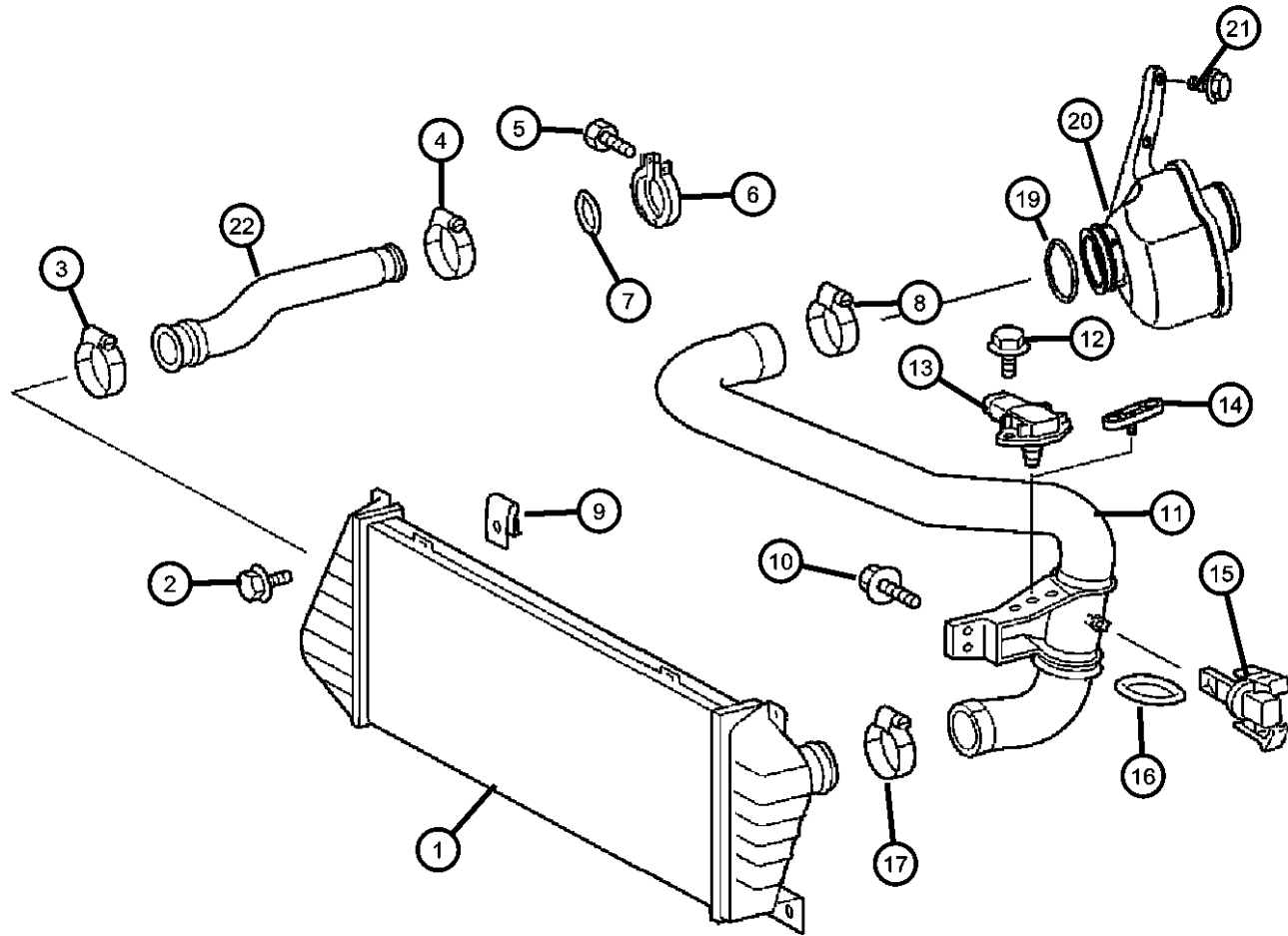
ITEM	PART NUMBER	QTY	LINE	SERIES	BODY	ENGINE	TRANS	TRIM	DESCRIPTION
1									COOLER, Charge Air
	05119997AA	1	2, 6			EX8	DGZ		
		1	3, 7			EX8	DGZ		
2									SCREW
	05133476AB	4	2, 6			EX8	DGZ		
		4	3, 7			EX8	DGZ		
3									CLAMP
	05104602AA	1	2, 6			EX8, EX9			
		1	3, 7			EX8, EX9			
4									CLAMP, Hose
	05104601AA	1	2, 6			EX8	DGZ		
		1	3, 7			EX8	DGZ		
5									SCREW
	05096986AA	2	2, 6			EX8	DGZ		
6									CLAMP, Mounting
	05125874AA	1	2, 6			EX8	DGZ		
		1	3, 7			EX8	DGZ		
7									O RING
	05080311AA	1	2, 3, 6, 7			EX8	DGJ		
8									CLAMP
	05104602AA	1	2, 6			EX8, EX9			
		1	3, 7			EX8, EX9			
9									U-NUT
	05125863AA	4	2, 6			EX8	DGZ		
		4	3, 7			EX8	DGZ		
10									SCREW
	05104610AA	2	2, 6			EX8	DGZ		
		2	3, 7			EX8	DGZ		

SPRINTER (VA)

SERIES	LINE	BODY	ENGINE	TRANSMISSION
L = LOWLINE	3 = HD DODGE 2WD 8 = HD DODGE 4WD 6 = Lt. Duty DODGE 4WD 2 = Med. Duty DODGE 2WD 7 = Med. Duty DODGE 4WD 4 = TRUCK	01 = CHASSIS FORWARD CONTROL W.B.1 02 = CAB CHASSIS WHEEL BASE 2 06 = CAB CHASSIS WHEEL BASE 6 11 = VAN WHEEL BASE 1 12 = VAN WHEEL BASE 2 51 = WAGON WHEEL BASE 1 52 = WAGON WHEEL BASE 2 14 = VAN WHEEL BASE 4 15 = VAN WHEEL BASE 5 54 = WAGON WHEEL BASE 4 55 = WAGON WHEEL BASE 5 56 = WAGON WHEEL BASE 6 16 = VAN WHEEL BASE 6	EX8 = 2.7L I5 Turbo Diesel Engine EX9 = 2.7L I5 Mercedes-Benz TD Engine	DGJ = 5-Speed Automatic MB Transmission DGZ = 4-Spd. Automatic MT643 Transmission

AR = use ase required - = Non illustrated part

Charge Air Intercooler
Figure 7-130



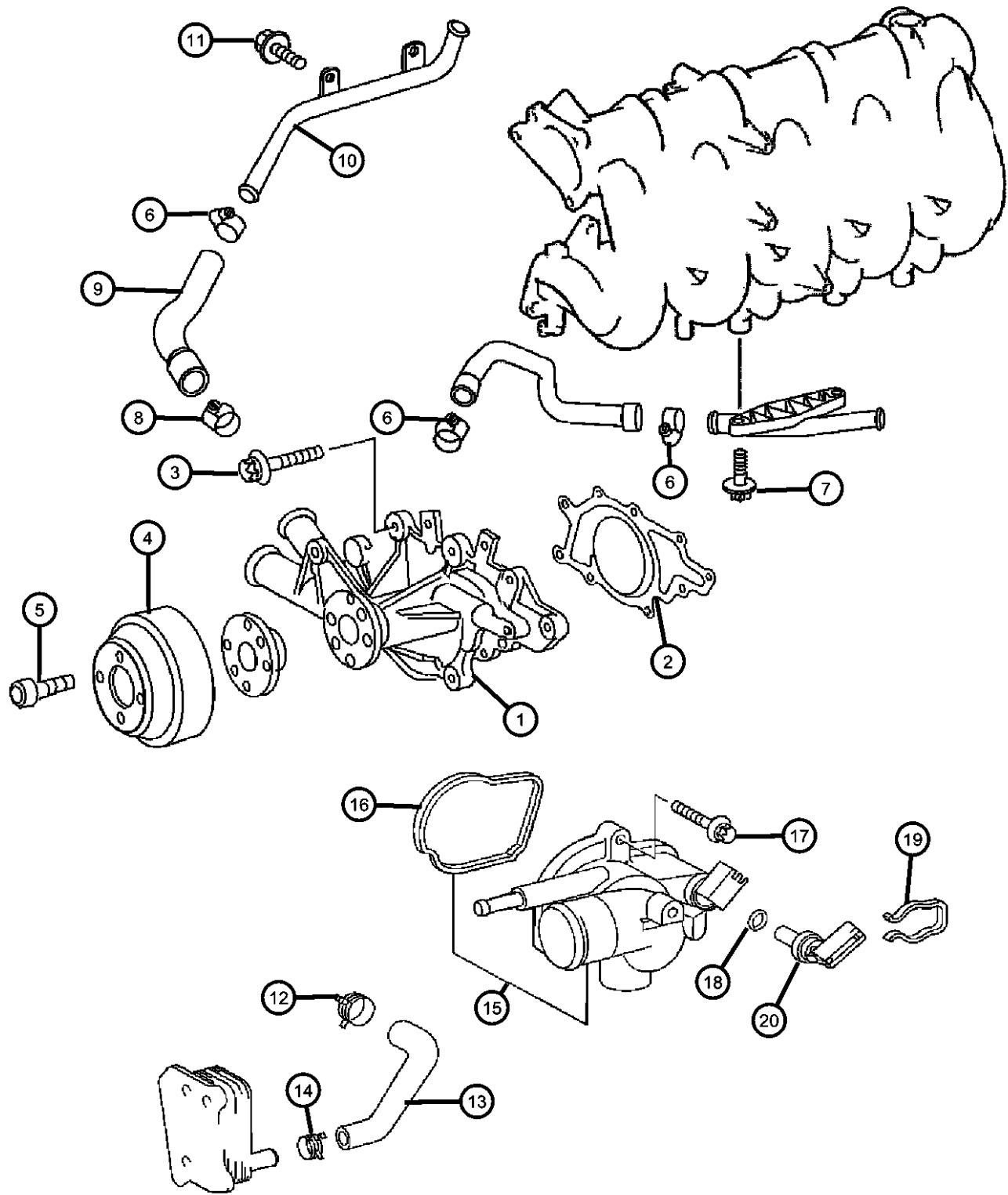
ITEM	PART NUMBER	QTY	LINE	SERIES	BODY	ENGINE	TRANS	TRIM	DESCRIPTION
11	05120147AA	1	2, 6			EX8	DGZ		HOSE, Radiator
		1	3, 7			EX8	DGZ		
12	06104172AA	2	2, 6			EX8	DGZ		SCREW
		1	3, 7			EX8	DGZ		
13	05117545AA	1	2, 6			EX8	DGZ		SENSOR, MAP
		1	3, 7			EX8	DGZ		
14		1							SPACER, (NOT SERVICED)
15	05174042AA	1	2, 3, 6, 7			EX8	DGZ		SENSOR, Temperature, AIR INTAKE TEMP. SENSOR
16	05103906AA	1	3, 7			EX8	DGZ		O RING
17	05104602AA	1	2, 6			EX8, EX9			CLAMP
		1	3, 7			EX8, EX9			
-18	05120148AA	1	2, 6			EX8	DGZ		HOSE, Air Induction
		1	3, 7			EX8	DGZ		
19	05139047AA	1	2, 3, 6, 7			EX8	DGZ		O RING
20	05137154AA	1	2, 3, 6, 7			EX8	DGZ		RESONATOR, Turbo
21	06104077AA	2	2, 3, 6, 7			EX8	DGZ		SCREW
22	05117234AB	1	2, 3, 6, 7			EX8	DGZ		HOSE, Air Induction

SPRINTER (VA)

SERIES	LINE	BODY	ENGINE	TRANSMISSION
L = LOWLINE	3 = HD DODGE 2WD 8 = HD DODGE 4WD 6 = Lt. Duty DODGE 4WD 2 = Med. Duty DODGE 2WD 7 = Med. Duty DODGE 4WD 4 = TRUCK	01 = CHASSIS FORWARD CONTROL W.B.1 02 = CAB CHASSIS WHEEL BASE 2 06 = CAB CHASSIS WHEEL BASE 6 11 = VAN WHEEL BASE 1 12 = VAN WHEEL BASE 2 51 = WAGON WHEEL BASE 1 52 = WAGON WHEEL BASE 2 14 = VAN WHEEL BASE 4 15 = VAN WHEEL BASE 5 54 = WAGON WHEEL BASE 4 55 = WAGON WHEEL BASE 5 56 = WAGON WHEEL BASE 6 16 = VAN WHEEL BASE 6	EX8 = 2.7L I5 Turbo Diesel Engine EX9 = 2.7L I5 Mercedes-Benz TD Engine	DGJ = 5-Speed Automatic MB Transmission DGZ = 4-Spd. Automatic MT643 Transmission

AR = use ase required - = Non illustrated part

**Water Pump and Related Parts
Figure 7-210**



ITEM	PART NUMBER	QTY	LINE	SERIES	BODY	ENGINE	TRANS	TRIM	DESCRIPTION
1	05138057AA	1	2, 3, 6, 7			EX8	DGZ		PUMP, Water
2	05080144AA	1	2, 3, 6, 7			EX8	DGZ		GASKET, Water Pump, Coolant Pump
3	06104682AA	3	2, 3, 6, 7			EX8	DGZ		SCREW
4	05136764AA	1	2, 3, 6, 7			EX8	DGZ		PULLEY, Water Pump
5	06104140AA	4	2, 3, 6, 7			EX8	DGZ		SCREW
6	06104781AA	1	2, 3, 6, 7			EX8	DGZ		CLAMP, Hose
7	05096986AA	2	2, 6			EX8	DGZ		SCREW
8									CLAMP
	05133494AA	1	2, 6			EX8	DGZ		
		1	3, 7			EX8	DGZ		
9	05103985AA	1	2, 3, 6, 7			EX8	DGZ		TUBE, Heater Return
10	05117644AA	1	2, 3, 6, 7			EX8	DGZ		TUBE, Heater Return
11									SCREW
	06104005AA	2	2, 6			EX8	DGZ		
		2	3, 7			EX8	DGZ		
12	05080153AA	1	2, 3, 6, 7			EX8	DGJ		CLAMP, Hose
13	05103986AA	1	2, 3, 6, 7			EX8	DGZ		HOSE
14									CLAMP
	05133496AA	1	2, 6			EX8	DGZ		
		1	3, 7			EX8	DGZ		
15	05080146AB	1	2, 3, 6, 7			EX8	DGZ		THERMOSTAT
16	05080150AA	1	2, 3, 6, 7			EX8	DGZ		GASKET, Thermostat
17	06104144AA	0	2, 3, 6, 7			EX8	DGZ		SCREW
18	05080148AA	1	2, 3, 6, 7			EX8	DGZ		O RING
19	05080149AA	1	2, 3, 6, 7			EX8	DGZ		CLIP
20	05080147AA	1	2, 3, 6, 7			EX8	DGZ		SENDING UNIT, Temperature Gauge
-21	05137502AA	1	2, 3, 6, 7			EX8	DGZ		GASKET, Water Pump, Lower Hose/Tube to Water Pump

SPRINTER (VA)

SERIES
L = LOWLINE

LINE
3 = HD DODGE 2WD
8 = HD DODGE 4WD
6 = Lt. Duty DODGE 4WD
2 = Med. Duty DODGE 2WD
7 = Med. Duty DODGE 4WD
4 = TRUCK

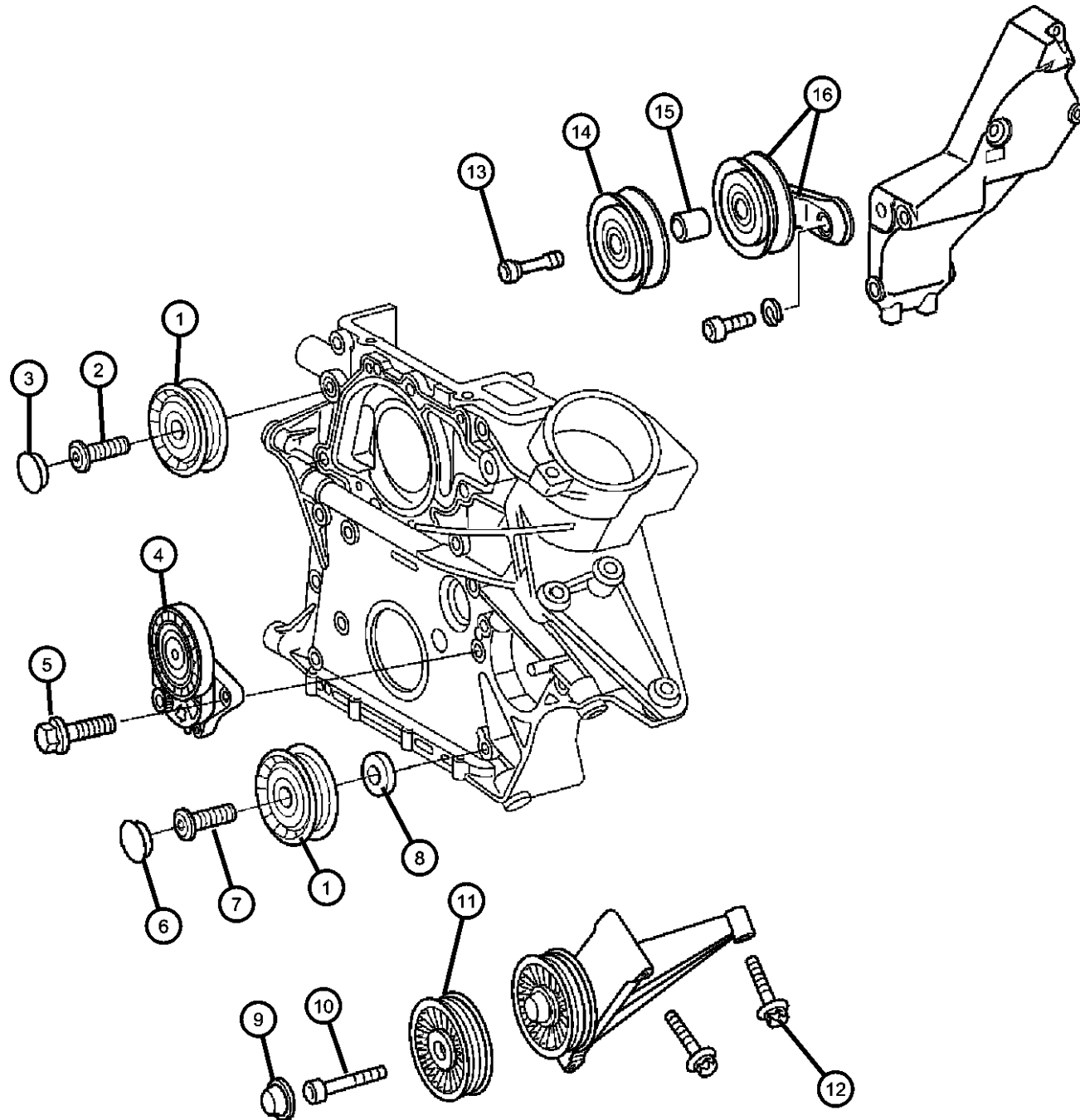
BODY
01 = CHASSIS FORWARD CONTROL W.B.1
02 = CAB CHASSIS WHEEL BASE 2
06 = CAB CHASSIS WHEEL BASE 6
11 = VAN WHEEL BASE 1
12 = VAN WHEEL BASE 2
51 = WAGON WHEEL BASE 1
52 = WAGON WHEEL BASE 2
14 = VAN WHEEL BASE 4
15 = VAN WHEEL BASE 5
54 = WAGON WHEEL BASE 4
55 = WAGON WHEEL BASE 5
56 = WAGON WHEEL BASE 6
16 = VAN WHEEL BASE 6

ENGINE
EX8 = 2.7L I5 Turbo Diesel Engine
EX9 = 2.7L I5 Mercedes-Benz TD Engine

TRANSMISSION
DGJ = 5-Speed Automatic MB Transmission
DGZ = 4-Spd. Automatic MT643 Transmission

AR = use ase required - = Non illustrated part

Drive Pulleys
Figure 7-410



ITEM	PART NUMBER	QTY	LINE	SERIES	BODY	ENGINE	TRANS	TRIM	DESCRIPTION
1	05080246AA	2	2, 3, 6, 7			EX8	DGZ		PULLEY, Tensioner, Groved Pulley [6 Groves / 2 3/4 Inch O.D.]
2	05073902AA	1	2, 3, 6, 7			EX8	DGZ		SCREW
3	05080250AA	1	2, 3, 6, 7			EX8	DGZ		CAP, CAP
4	05080243AA	1	2, 3, 6, 7			EX8	DGZ		TENSIONER, Belt, Tensioner With Pulley [2 3/4 Inch O.D.]
5	05073896AA	4	2, 3, 6, 7			EX8	DGZ		SCREW
6	05080250AA	1	2, 3, 6, 7			EX8	DGZ		CAP, CAP
7	05073902AA	1	2, 3, 6, 7			EX8	DGZ		SCREW
8	05080248AA	1	2, 3, 6, 7			EX8	DGZ		WASHER
9	05125553AA	1	2, 3, 6, 7			EX8	DGZ		CAP, Screw Cover
10	05126143AA	1	2, 3, 6, 7			EX8	DGZ		SCREW
11	05117691AA	1	2, 6			EX8	DGZ		PULLEY, Tensioner Pulley
		1	3, 7			EX8	DGZ		Pulley
12	05133207AA	3	2, 3, 6, 7			EX8	DGZ		BOLT, Hex Head
13	05125736AA	1	2, 6			EX8	DGZ		SCREW
		1	3, 7			EX8	DGZ		
14	05117510AA	1	2, 6			EX8	DGZ		TENSIONER, Belt
		1	3, 7			EX8	DGZ		
15	05117516AA	1	2, 6			EX8	DGZ		BUSHING, Idler Pulley
		1	3, 7			EX8	DGZ		
16	05080243AA	1	2, 3, 6, 7			EX8	DGZ		TENSIONER, Belt

SPRINTER (VA)

SERIES

L = LOWLINE

LINE

3 = HD DODGE 2WD
8 = HD DODGE 4WD
6 = Lt. Duty DODGE 4WD
2 = Med. Duty DODGE 2WD
7 = Med. Duty DODGE 4WD
4 = TRUCK

BODY

01 = CHASSIS FORWARD CONTROL W.B.1
02 = CAB CHASSIS WHEEL BASE 2
06 = CAB CHASSIS WHEEL BASE 6
11 = VAN WHEEL BASE 1
12 = VAN WHEEL BASE 2
51 = WAGON WHEEL BASE 1
52 = WAGON WHEEL BASE 2
14 = VAN WHEEL BASE 4
15 = VAN WHEEL BASE 5
54 = WAGON WHEEL BASE 4
55 = WAGON WHEEL BASE 5
56 = WAGON WHEEL BASE 6
16 = VAN WHEEL BASE 6

ENGINE

EX8 = 2.7L I5 Turbo Diesel Engine
EX9 = 2.7L I5 Mercedes-Benz TD Engine

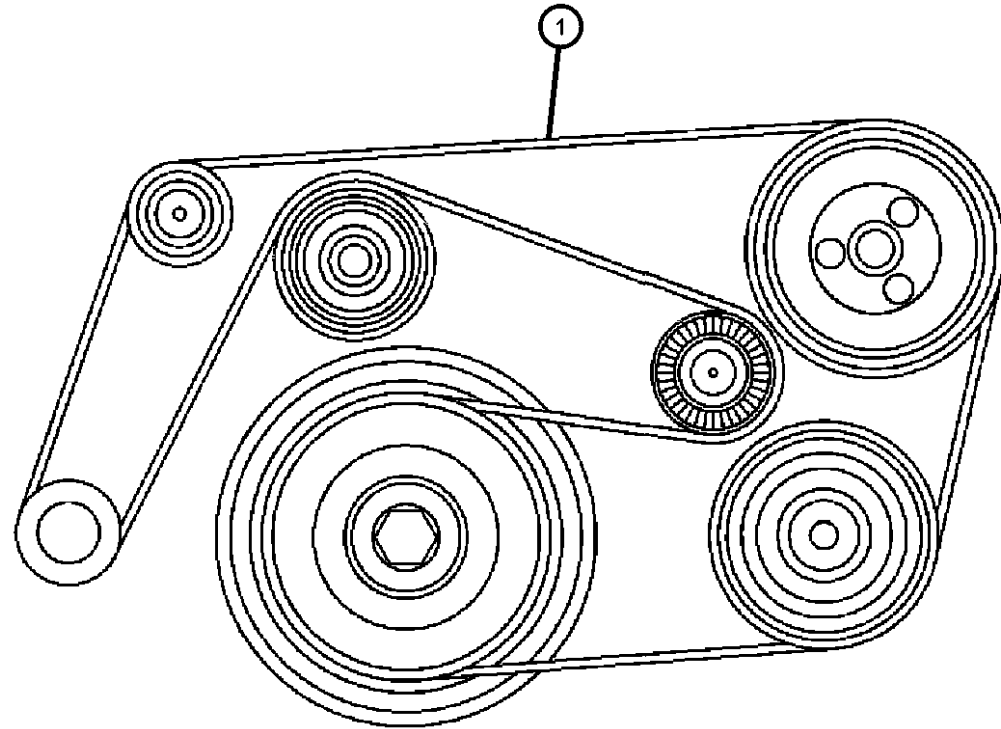
TRANSMISSION

DGJ = 5-Speed Automatic MB Transmission
DGZ = 4-Spd. Automatic MT643 Transmission

**Drive Belts
Figure 7-520**

ITEM	PART NUMBER	QTY	LINE	SERIES	BODY	ENGINE	TRANS	TRIM	DESCRIPTION
------	-------------	-----	------	--------	------	--------	-------	------	-------------

NOTE:
Sales Codes:
[DGZ]=5 Speed Automatic [W5A380] Transmission
[EX8]=2.7L I-5 Turbo Diesel Engine



1									BELT, Accessory Drive
	05127258AA	1	3, 7			EX8	DGZ		With Air Conditioning, 21.36X2260
	05132825AA	1	2, 6			EX8	DGZ		
		1	3, 7			EX8	DGZ		
		1	2, 3, 6, 7			EX8	DGZ		
		1	2, 6			EX8	DGZ		With Air Conditioning, 21.36X2260
-2									BELT, V-Belt
	05125848AA	1	2, 6			EX8	DGZ		For Second A/C Compressor
		1	3, 7			EX8	DGZ		For Second A/C Compressor

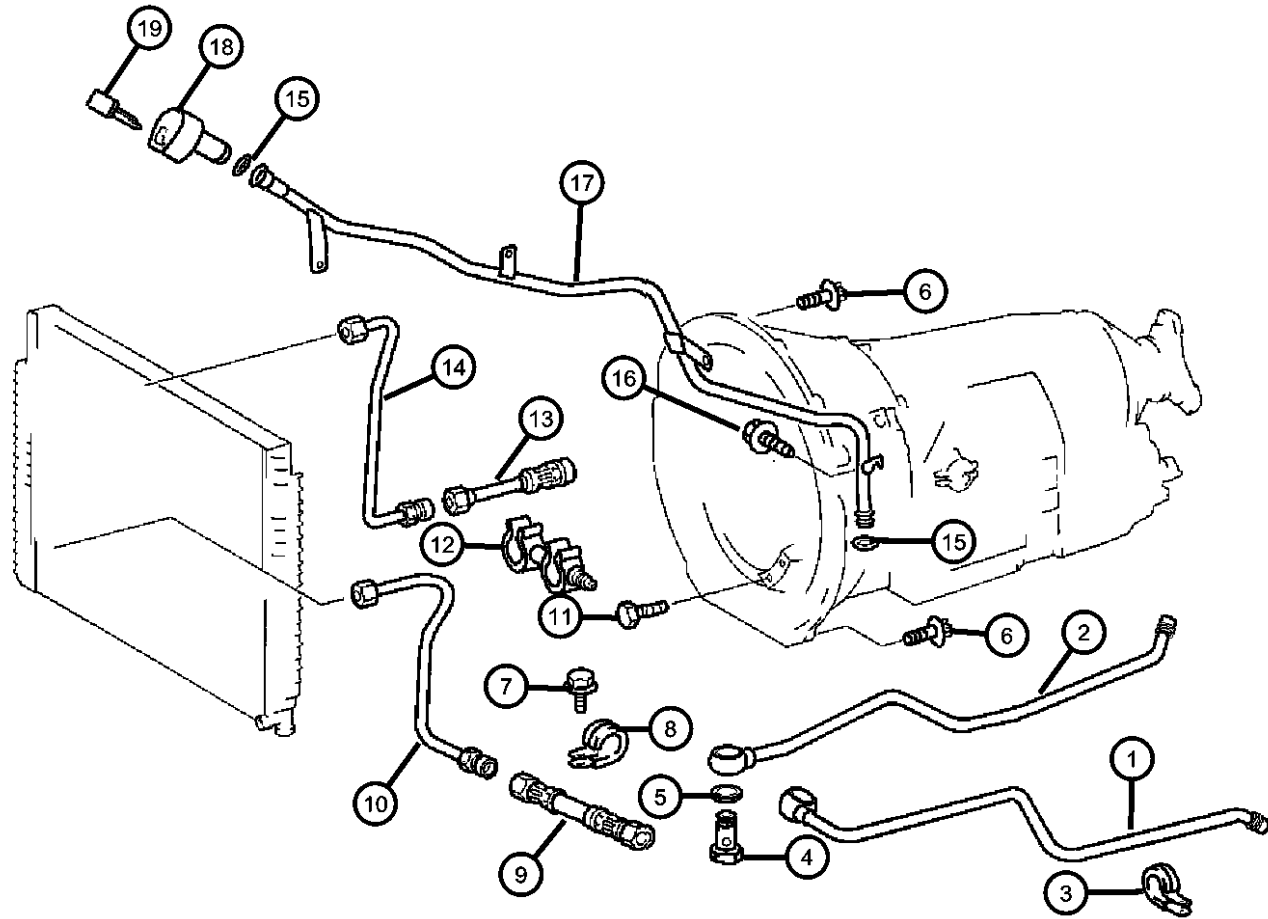
SPRINTER (VA)

SERIES	LINE	BODY	ENGINE	TRANSMISSION
L = LOWLINE	3 = HD DODGE 2WD 8 = HD DODGE 4WD 6 = Lt. Duty DODGE 4WD 2 = Med. Duty DODGE 2WD 7 = Med. Duty DODGE 4WD 4 = TRUCK	01 = CHASSIS FORWARD CONTROL W.B.1 02 = CAB CHASSIS WHEEL BASE 2 06 = CAB CHASSIS WHEEL BASE 6 11 = VAN WHEEL BASE 1 12 = VAN WHEEL BASE 2 51 = WAGON WHEEL BASE 1 52 = WAGON WHEEL BASE 2 14 = VAN WHEEL BASE 4 15 = VAN WHEEL BASE 5 54 = WAGON WHEEL BASE 4 55 = WAGON WHEEL BASE 5 56 = WAGON WHEEL BASE 6 16 = VAN WHEEL BASE 6	EX8 = 2.7L I5 Turbo Diesel Engine EX9 = 2.7L I5 Mercedes-Benz TD Engine	DGJ = 5-Speed Automatic MB Transmission DGZ = 4-Spd. Automatic MT643 Transmission

AR = use ase required - = Non illustrated part

2006 VA

**Oil Cooler Lines
Figure 7-610**



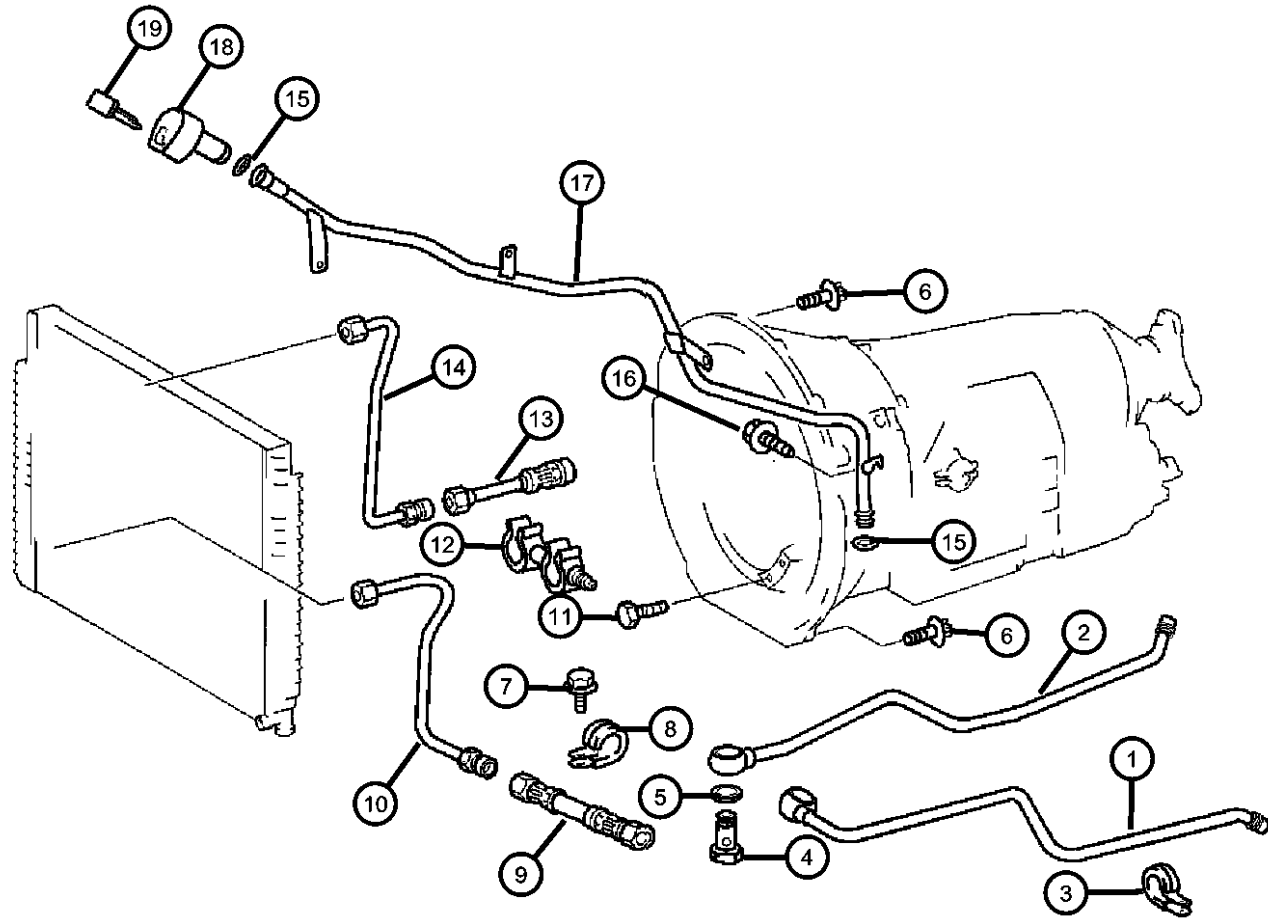
ITEM	PART NUMBER	QTY	LINE	SERIES	BODY	ENGINE	TRANS	TRIM	DESCRIPTION
1	05117855AA	1	2, 6			EX8	DGZ		TUBE, Oil Feed
		1	3, 7			EX8	DGZ		
2	05117857AA	1	2, 6			EX8	DGZ		LINE, Transmission Oil Cooler Pressure
		1	3, 7			EX8	DGZ		
3	05097689AA	3	2, 6			EX8	DGZ		CLAMP, CLAMP
		3	3, 7			EX8	DGZ		
4	06507437AA	2	2, 6			EX8	DGZ		BOLT, Banjo
		2	3, 7			EX8	DGZ		
5	06507454AA	4	2, 6			EX8	DGZ		WASHER, Banjo
		4	3, 7			EX8	DGZ		
6	06104047AA	2	3, 7			EX8	DGZ		SCREW
		2	2, 6			EX8	DGZ		
7	05073824AA	1	2, 6			EX8	DGZ		SCREW
		2	3, 7			EX8	DGZ		
8	05096952AA	3	2, 6			EX8	DGZ		CLAMP, Oil Cooler Line
		1	3, 7			EX8	DGZ		
9									LINE, Transmission Oil Cooler Pressure

SPRINTER (VA)

SERIES	LINE	BODY	ENGINE	TRANSMISSION
L = LOWLINE	3 = HD DODGE 2WD 8 = HD DODGE 4WD 6 = Lt. Duty DODGE 4WD 2 = Med. Duty DODGE 2WD 7 = Med. Duty DODGE 4WD 4 = TRUCK	01 = CHASSIS FORWARD CONTROL W.B.1 02 = CAB CHASSIS WHEEL BASE 2 06 = CAB CHASSIS WHEEL BASE 6 11 = VAN WHEEL BASE 1 12 = VAN WHEEL BASE 2 51 = WAGON WHEEL BASE 1 52 = WAGON WHEEL BASE 2 14 = VAN WHEEL BASE 4 15 = VAN WHEEL BASE 5 54 = WAGON WHEEL BASE 4 55 = WAGON WHEEL BASE 5 56 = WAGON WHEEL BASE 6 16 = VAN WHEEL BASE 6	EX8 = 2.7L I5 Turbo Diesel Engine EX9 = 2.7L I5 Mercedes-Benz TD Engine	DGJ = 5-Speed Automatic MB Transmission DGZ = 4-Spd. Automatic MT643 Transmission

AR = use ase required - = Non illustrated part

**Oil Cooler Lines
Figure 7-610**



ITEM	PART NUMBER	QTY	LINE	SERIES	BODY	ENGINE	TRANS	TRIM	DESCRIPTION
	05117856AA	1	2, 6			EX8	DGZ		
		1	3, 7			EX8	DGZ		
10	05119991AA	1	2, 6			EX8	DGZ		LINE, Oil Cooler Supply
		1	3, 7			EX8	DGZ		
11	06507095AA	6	2, 6			EX8	DGZ		SCREW
		6	3, 7			EX8	DGZ		
12	05125878AA	2	2, 6			EX8	DGZ		BRACKET, Transmission Oil Cooler
		2	3, 7			EX8	DGZ		
13	05127830AA	1	2, 6			EX8	DGZ		TUBE AND HOSE, Oil Cooler
		1	3, 7			EX8	DGZ		
14	05119993AA	1	2, 6			EX8	DGZ		LINE, Oil Cooler Return
		1	3, 7			EX8	DGZ		
15	05101154AA	1	2, 6			EX8	DGZ		SEAL, Oil Filler Tube
		1	3, 7			EX8	DGZ		
16	05125738AA	1	2, 6			EX8	DGZ		SCREW
		1	3, 7			EX8	DGZ		
17	05117847AA	1	2, 6			EX8	DGZ		TUBE, Transmission Oil Filler
		1	3, 7			EX8	DGZ		
18									CAP, Oil Filler

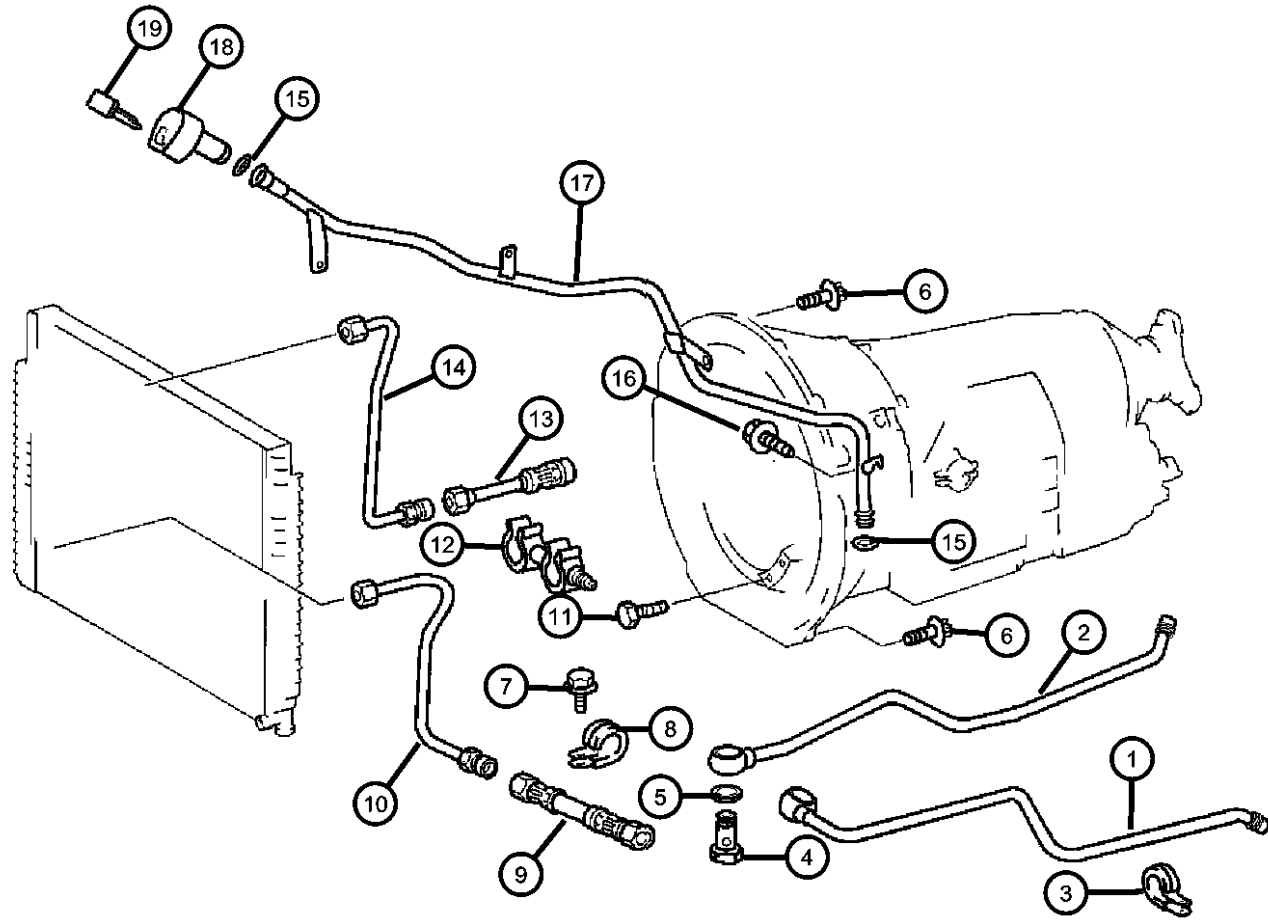
SPRINTER (VA)

SERIES	LINE	BODY	ENGINE	TRANSMISSION
L = LOWLINE	3 = HD DODGE 2WD 8 = HD DODGE 4WD 6 = Lt. Duty DODGE 4WD 2 = Med. Duty DODGE 2WD 7 = Med. Duty DODGE 4WD 4 = TRUCK	01 = CHASSIS FORWARD CONTROL W.B.1 02 = CAB CHASSIS WHEEL BASE 2 06 = CAB CHASSIS WHEEL BASE 6 11 = VAN WHEEL BASE 1 12 = VAN WHEEL BASE 2 51 = WAGON WHEEL BASE 1 52 = WAGON WHEEL BASE 2 14 = VAN WHEEL BASE 4 15 = VAN WHEEL BASE 5 54 = WAGON WHEEL BASE 4 55 = WAGON WHEEL BASE 5 56 = WAGON WHEEL BASE 6 16 = VAN WHEEL BASE 6	EX8 = 2.7L I5 Turbo Diesel Engine EX9 = 2.7L I5 Mercedes-Benz TD Engine	DGJ = 5-Speed Automatic MB Transmission DGZ = 4-Spd. Automatic MT643 Transmission

AR = use ase required - = Non illustrated part

Oil Cooler Lines
Figure 7-610

ITEM	PART NUMBER	QTY	LINE	SERIES	BODY	ENGINE	TRANS	TRIM	DESCRIPTION
	53013549AA	1	2, 6			EX8	DGZ		
		1	3, 7			EX8	DGZ		
19	05093746AA	1	3, 7			EX8	DGZ		PIN
		1	2, 6			EX8	DGZ		



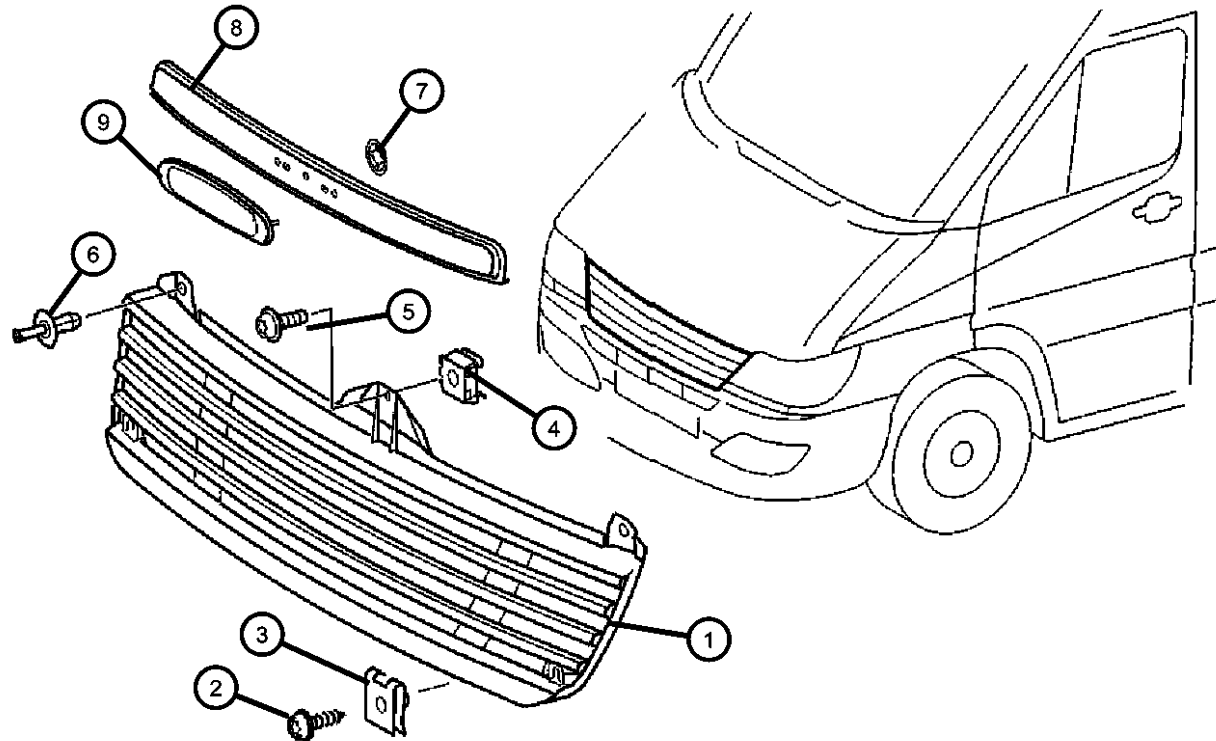
SPRINTER (VA)

SERIES	LINE	BODY	ENGINE	TRANSMISSION
L = LOWLINE	3 = HD DODGE 2WD 8 = HD DODGE 4WD 6 = Lt. Duty DODGE 4WD 2 = Med. Duty DODGE 2WD 7 = Med. Duty DODGE 4WD 4 = TRUCK	01 = CHASSIS FORWARD CONTROL W.B.1 02 = CAB CHASSIS WHEEL BASE 2 06 = CAB CHASSIS WHEEL BASE 6 11 = VAN WHEEL BASE 1 12 = VAN WHEEL BASE 2 51 = WAGON WHEEL BASE 1 52 = WAGON WHEEL BASE 2 14 = VAN WHEEL BASE 4 15 = VAN WHEEL BASE 5 54 = WAGON WHEEL BASE 4 55 = WAGON WHEEL BASE 5 56 = WAGON WHEEL BASE 6 16 = VAN WHEEL BASE 6	EX8 = 2.7L I5 Turbo Diesel Engine EX9 = 2.7L I5 Mercedes-Benz TD Engine	DGJ = 5-Speed Automatic MB Transmission DGZ = 4-Spd. Automatic MT643 Transmission

AR = use ase required - = Non illustrated part

**Grille and Related Parts
Figure 7-710**

ITEM	PART NUMBER	QTY	LINE	SERIES	BODY	ENGINE	TRANS	TRIM	DESCRIPTION
1									GRILLE, Radiator
	05104507AA	1	6			EX8	DGZ		[MGQ]
		1	7			EX8	DGZ		[MGQ]
	05114373AA	1	2			EX8	DGZ		[MG4]
		1	3			EX8	DGZ		[MG4]
2									SCREW
	06104576AA	2	6			EX8	DGZ		
		4	2			EX8	DGZ		[MG4]
		2	3			EX8	DGZ		
		2	7			EX8	DGZ		
3									NUT, Clip-On
	06104736AA	4	2, 6			EX8	DGZ		
		4	3, 7			EX8	DGZ		
4									NUT
	05126253AA	2	2, 6			EX8	DGZ		
		2	3, 7			EX8	DGZ		
5									SCREW, Hex Flange Head
	06104121AA	2	3, 7			EX8	DGZ		
		2	2, 6			EX8	DGZ		
6									PIN, Push
	06104905AA	2	6			EX8	DGZ		
		2	3, 7			EX8	DGZ		
7									RETAINER, Hood Ornament
	05096429AA	2	2, 6			EX8	DGZ		[MG4]
		2	3, 7			EX8	DGZ		[MG4]



SPRINTER (VA)

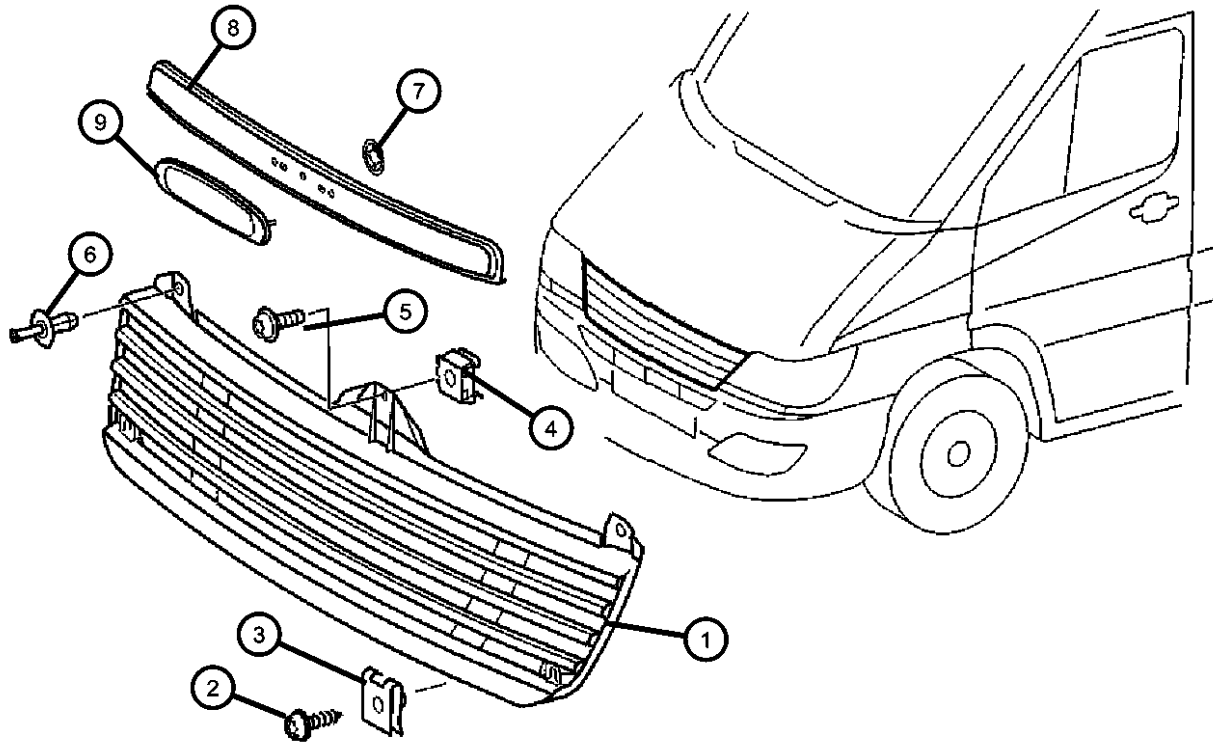
SERIES	LINE	BODY	ENGINE	TRANSMISSION
L = LOWLINE	3 = HD DODGE 2WD 8 = HD DODGE 4WD 6 = Lt. Duty DODGE 4WD 2 = Med. Duty DODGE 2WD 7 = Med. Duty DODGE 4WD 4 = TRUCK	01 = CHASSIS FORWARD CONTROL W.B.1 02 = CAB CHASSIS WHEEL BASE 2 06 = CAB CHASSIS WHEEL BASE 6 11 = VAN WHEEL BASE 1 12 = VAN WHEEL BASE 2 51 = WAGON WHEEL BASE 1 52 = WAGON WHEEL BASE 2 14 = VAN WHEEL BASE 4 15 = VAN WHEEL BASE 5 54 = WAGON WHEEL BASE 4 55 = WAGON WHEEL BASE 5 56 = WAGON WHEEL BASE 6 16 = VAN WHEEL BASE 6	EX8 = 2.7L I5 Turbo Diesel Engine EX9 = 2.7L I5 Mercedes-Benz TD Engine	DGJ = 5-Speed Automatic MB Transmission DGZ = 4-Spd. Automatic MT643 Transmission

AR = use ase required - = Non illustrated part

2006 VA

**Grille and Related Parts
Figure 7-710**

ITEM	PART NUMBER	QTY	LINE	SERIES	BODY	ENGINE	TRANS	TRIM	DESCRIPTION
8	05104400AA	1	6			EX8	DGZ		MOLDING, Hood [MGQ]
		1	7			EX8	DGZ		[MGQ]
9	05104449AA	1	6			EX8	DGZ		NAMEPLATE, Hood [MGQ]
		1	7			EX8	DGZ		[MGQ]



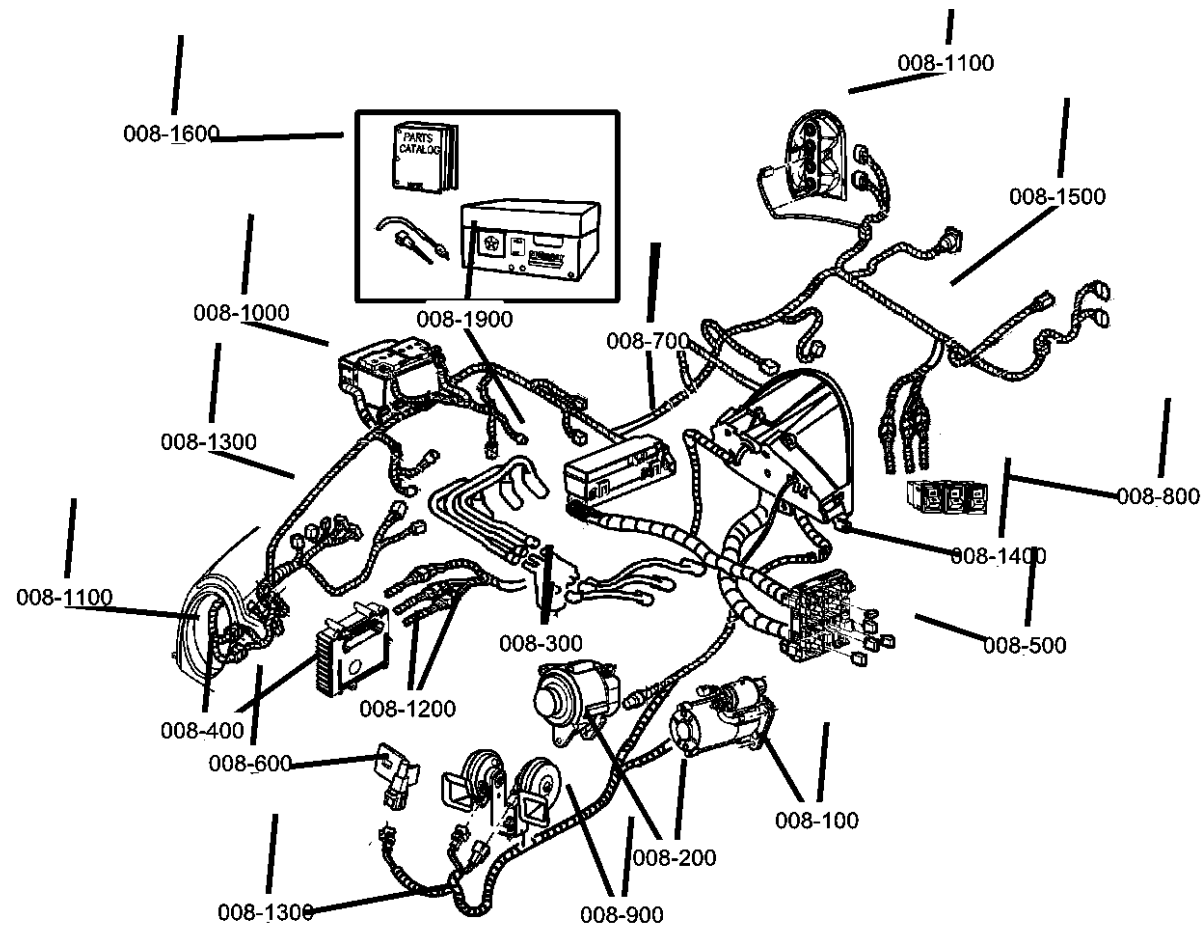
SPRINTER (VA)

SERIES	LINE	BODY	ENGINE	TRANSMISSION
L = LOWLINE	3 = HD DODGE 2WD 8 = HD DODGE 4WD 6 = Lt. Duty DODGE 4WD 2 = Med. Duty DODGE 2WD 7 = Med. Duty DODGE 4WD 4 = TRUCK	01 = CHASSIS FORWARD CONTROL W.B.1 02 = CAB CHASSIS WHEEL BASE 2 06 = CAB CHASSIS WHEEL BASE 6 11 = VAN WHEEL BASE 1 12 = VAN WHEEL BASE 2 51 = WAGON WHEEL BASE 1 52 = WAGON WHEEL BASE 2 14 = VAN WHEEL BASE 4 15 = VAN WHEEL BASE 5 54 = WAGON WHEEL BASE 4 55 = WAGON WHEEL BASE 5 56 = WAGON WHEEL BASE 6 16 = VAN WHEEL BASE 6	EX8 = 2.7L I5 Turbo Diesel Engine EX9 = 2.7L I5 Mercedes-Benz TD Engine	DGJ = 5-Speed Automatic MB Transmission DGZ = 4-Spd. Automatic MT643 Transmission

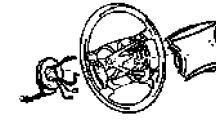
AR = use ase required - = Non illustrated part

Group - 8

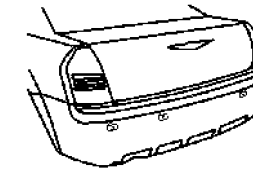
Electrical



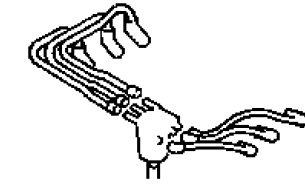
008-1700
Air Bag Systems



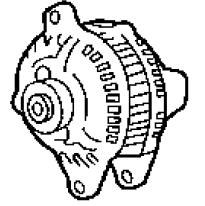
008-1800
Park Assist



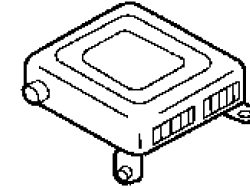
008-1900
Spark Plugs-Cables-Coils



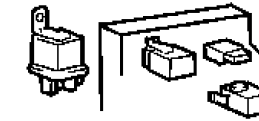
008-200
Alternators



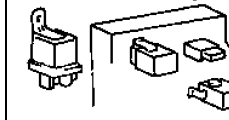
008-400
Modules



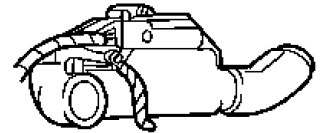
008-500
Relays



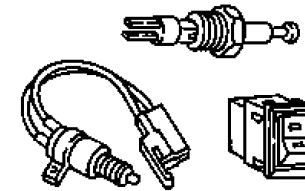
008-600
Sensors



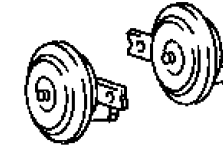
008-700
Single Board Engine Controllers



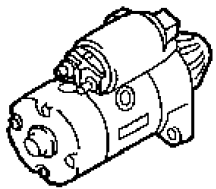
008-800
Switches



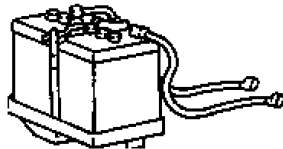
008-900
Horns



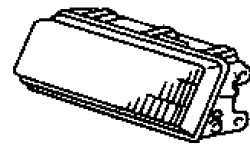
008-100
Starters



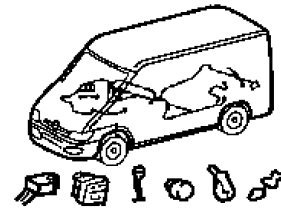
008-1000
Battery Tray and Cables



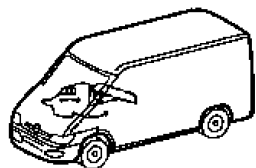
008-1100
Lamps - Front, Rear and Courtesy



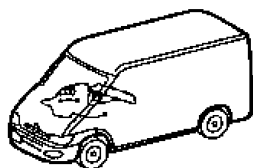
008-1200
Wiring-Engine & Related Parts



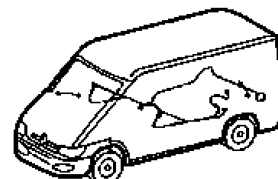
008-1300
Wiring-Headlamp to Dash



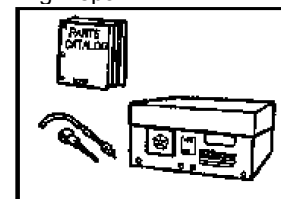
008-1400
Wiring-Instrument Panel



008-1500
Wiring-Body & Accessories



008-1600
Wiring Repair



Group - 8 Electrical

Illustration Title	Group-Fig. No.
Starters	
Starters & Mounting	Fig. 8 - 105
Alternators	
Alternators (Generator)	Fig. 8 - 205
Modules	
Modules Seating Area	Fig. 8 - 405
Modules and Related Parts	Fig. 8 - 410
Relays	
Under Seat - Relays & Fuses	Fig. 8 - 505
Instrument Panel - Relays & Fuses	Fig. 8 - 510
Sensors	
Sensors Engine	Fig. 8 - 605
Sensors - Drivetrain	Fig. 8 - 610
Sensors - Brakes	Fig. 8 - 615
Sensors Ambient Temperature and Rain	Fig. 8 - 620
Single Board Engine Controllers	
Powertrain Control	Fig. 8 - 715
Switches	
Switches - Instrument Panel	Fig. 8 - 805
Switches -Steering Column	Fig. 8 - 810
Switches - Doors	Fig. 8 - 815
Switch Brake and Clutch	Fig. 8 - 820
Horns	
Horns & Alarm	Fig. 8 - 905
Battery Tray and Cables	
Battery Tray & Cables	Fig. 8 - 1005
Lamps - Front, Rear and Courtesy	
Lamps - Front End	Fig. 8 - 1105
Lamps - Rear End Side Reflector	Fig. 8 - 1106
Lamps - Rear End	Fig. 8 - 1110
Lamps Rear End Cab and Chassis Vehicles	Fig. 8 - 1115
Lamps Interior Passenger Van	Fig. 8 - 1120
Lamps Interior Cargo Van	Fig. 8 - 1125
Lamp - Bulbs	Fig. 8 - 1130
Wiring-Engine & Related Parts	
Wiring - Engine	Fig. 8 - 1205
Wiring-Headlamp to Dash	
Wiring - Headlamp & Dash	Fig. 8 - 1305
Wiring-Instrument Panel	
Wiring - Instrument Panel	Fig. 8 - 1405
Wiring-Body & Accessories	
Wiring - Body & Accessories	Fig. 8 - 1505
Wiring Repair	
Connectors Engine Compartment	Fig. 8 - 1605
Connectors Body	Fig. 8 - 1610
Connectors Roof	Fig. 8 - 1615
Connectors Front Doors	Fig. 8 - 1620
Connectors Rear Doors	Fig. 8 - 1625
Connectors Seating Area	Fig. 8 - 1630

Air Bag Systems

Air Bag System Drivers Side	Fig. 8 - 1705
Air Bag System Passenger Side	Fig. 8 - 1710

Park Assist

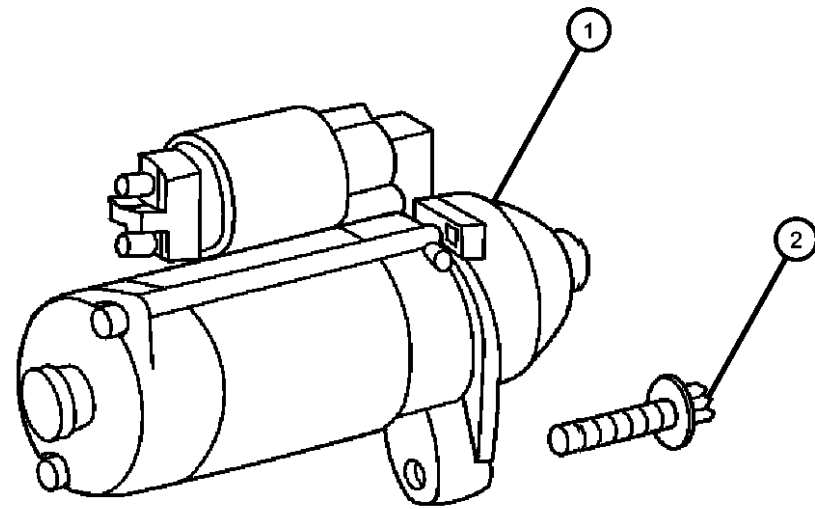
Park Assist, Back up Detection System	Fig. 8 - 1805
---	---------------

Spark Plugs-Cables-Coils

Glow Plugs	Fig. 8 - 1910
------------------	---------------

**Starters & Mounting
Figure 8-105**

ITEM	PART NUMBER	QTY	LINE	SERIES	BODY	ENGINE	TRANS	TRIM	DESCRIPTION
1									STARTER, Engine
	05134510AA	1	2, 6	L	01, 02, 06	EX8	DGZ		
		1	2, 6	L	11, 12, 14, 15, 16	EX8	DGZ		
		1	2, 6	L	51, 52, 54, 55, 56	EX8	DGZ		
		1	3, 7	L	02, 06	EX8	DGZ		
		1	3, 7	L	12, 15, 16	EX8	DGZ		
2									SCREW, Starter Motor
	06104053AA	2	2, 6	L	01, 02, 06	EX8	DGZ		
		2	2, 6	L	11, 12, 14, 15, 16	EX8	DGZ		
		2	2, 6	L	51, 52, 54, 55, 56	EX8	DGZ		
		2	3, 7	L	02, 06	EX8	DGZ		
		2	3, 7	L	12, 15, 16	EX8	DGZ		



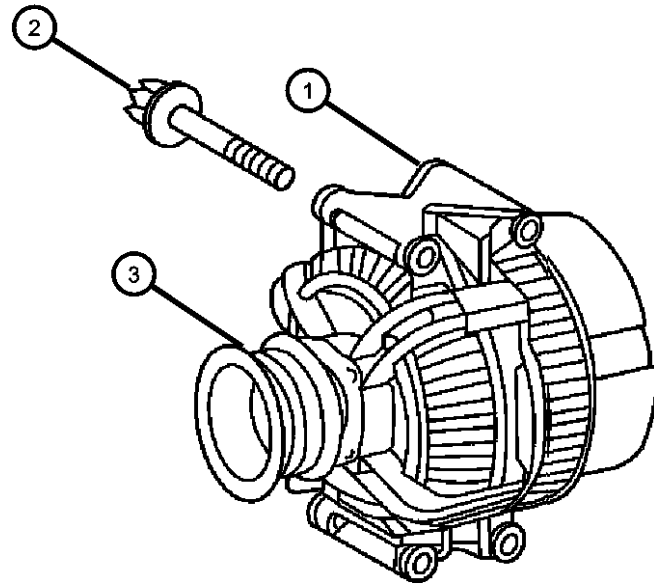
SPRINTER (VA)

SERIES	LINE	BODY	ENGINE	TRANSMISSION
L = LOWLINE	3 = HD DODGE 2WD 8 = HD DODGE 4WD 6 = Lt. Duty DODGE 4WD 2 = Med. Duty DODGE 2WD 7 = Med. Duty DODGE 4WD 4 = TRUCK	01 = CHASSIS FORWARD CONTROL W.B.1 02 = CAB CHASSIS WHEEL BASE 2 06 = CAB CHASSIS WHEEL BASE 6 11 = VAN WHEEL BASE 1 12 = VAN WHEEL BASE 2 51 = WAGON WHEEL BASE 1 52 = WAGON WHEEL BASE 2 14 = VAN WHEEL BASE 4 15 = VAN WHEEL BASE 5 54 = WAGON WHEEL BASE 4 55 = WAGON WHEEL BASE 5 56 = WAGON WHEEL BASE 6 16 = VAN WHEEL BASE 6	EX8 = 2.7L I5 Turbo Diesel Engine EX9 = 2.7L I5 Mercedes-Benz TD Engine	DGJ = 5-Speed Automatic MB Transmission DGZ = 4-Spd. Automatic MT643 Transmission

AR = use ase required - = Non illustrated part

2006 VA

**Alternators (Generator)
Figure 8-205**



ITEM	PART NUMBER	QTY	LINE	SERIES	BODY	ENGINE	TRANS	TRIM	DESCRIPTION
1									ALTERNATOR
	05117587AB	1	2, 3, 6, 7	L		EX8	DGJ		200 AMP
	05134199AA	1	2, 3, 6, 7	L		EX8	DGZ		90 AMP
	05134204AA	1	2, 3, 6, 7	L		EX8			120 AMP
2									SCREW
	06104035AA	2	2, 6	L	01, 02, 06	EX8	DGZ		
		1	2, 6	L	51, 52, 54, 55, 56	EX8	DGZ		
		2	2, 6	L	51, 52, 54, 55, 56	EX8	DGZ		
		2	3, 7	L	02, 06	EX8	DGZ		
		2	3, 7	L	12, 15, 16	EX8	DGZ		
3	05117591AA	1	2, 3, 6, 7	L		EX8	DGZ		PULLEY, Alternator
-4									REGULATOR, Alternator
	05135837AA	1	2, 6	L	01, 02, 06	EX8	DGZ		
		1	2, 6	L	11, 12, 14, 15, 16	EX8	DGZ		
		1	2, 6	L	51, 52, 54, 55, 56	EX8	DGZ		
		1	3, 7	L	02, 06	EX8	DGZ		
		1	3, 7	L	12, 15, 16	EX8	DGZ		

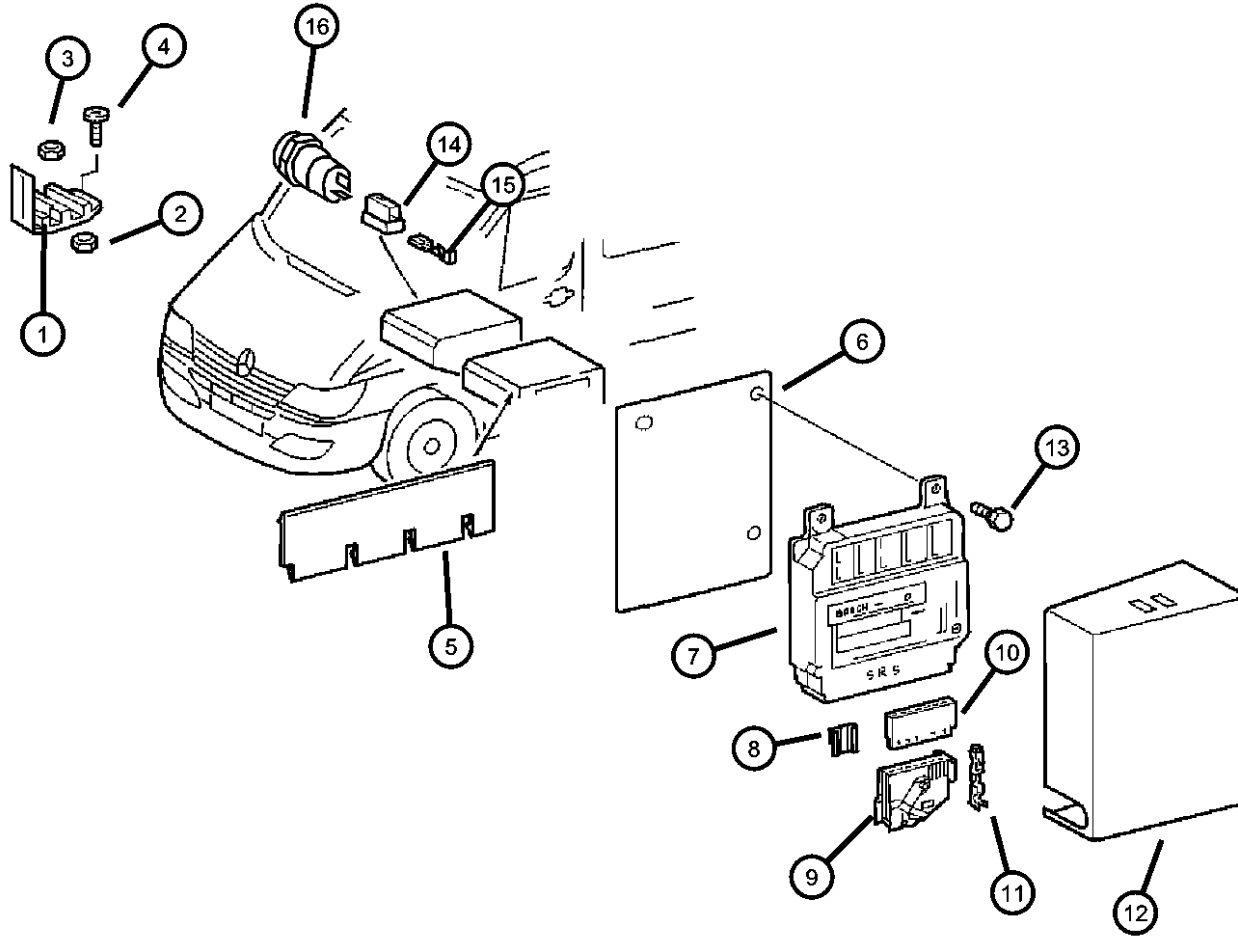
SPRINTER (VA)

SERIES	LINE	BODY	ENGINE	TRANSMISSION
L = LOWLINE	3 = HD DODGE 2WD 8 = HD DODGE 4WD 6 = Lt. Duty DODGE 4WD 2 = Med. Duty DODGE 2WD 7 = Med. Duty DODGE 4WD 4 = TRUCK	01 = CHASSIS FORWARD CONTROL W.B.1 02 = CAB CHASSIS WHEEL BASE 2 06 = CAB CHASSIS WHEEL BASE 6 11 = VAN WHEEL BASE 1 12 = VAN WHEEL BASE 2 51 = WAGON WHEEL BASE 1 52 = WAGON WHEEL BASE 2 14 = VAN WHEEL BASE 4 15 = VAN WHEEL BASE 5 54 = WAGON WHEEL BASE 4 55 = WAGON WHEEL BASE 5 56 = WAGON WHEEL BASE 6 16 = VAN WHEEL BASE 6	EX8 = 2.7L I5 Turbo Diesel Engine EX9 = 2.7L I5 Mercedes-Benz TD Engine	DGJ = 5-Speed Automatic MB Transmission DGZ = 4-Spd. Automatic MT643 Transmission

AR = use ase required - = Non illustrated part

2006 VA

Modules Seating Area
Figure 8-405



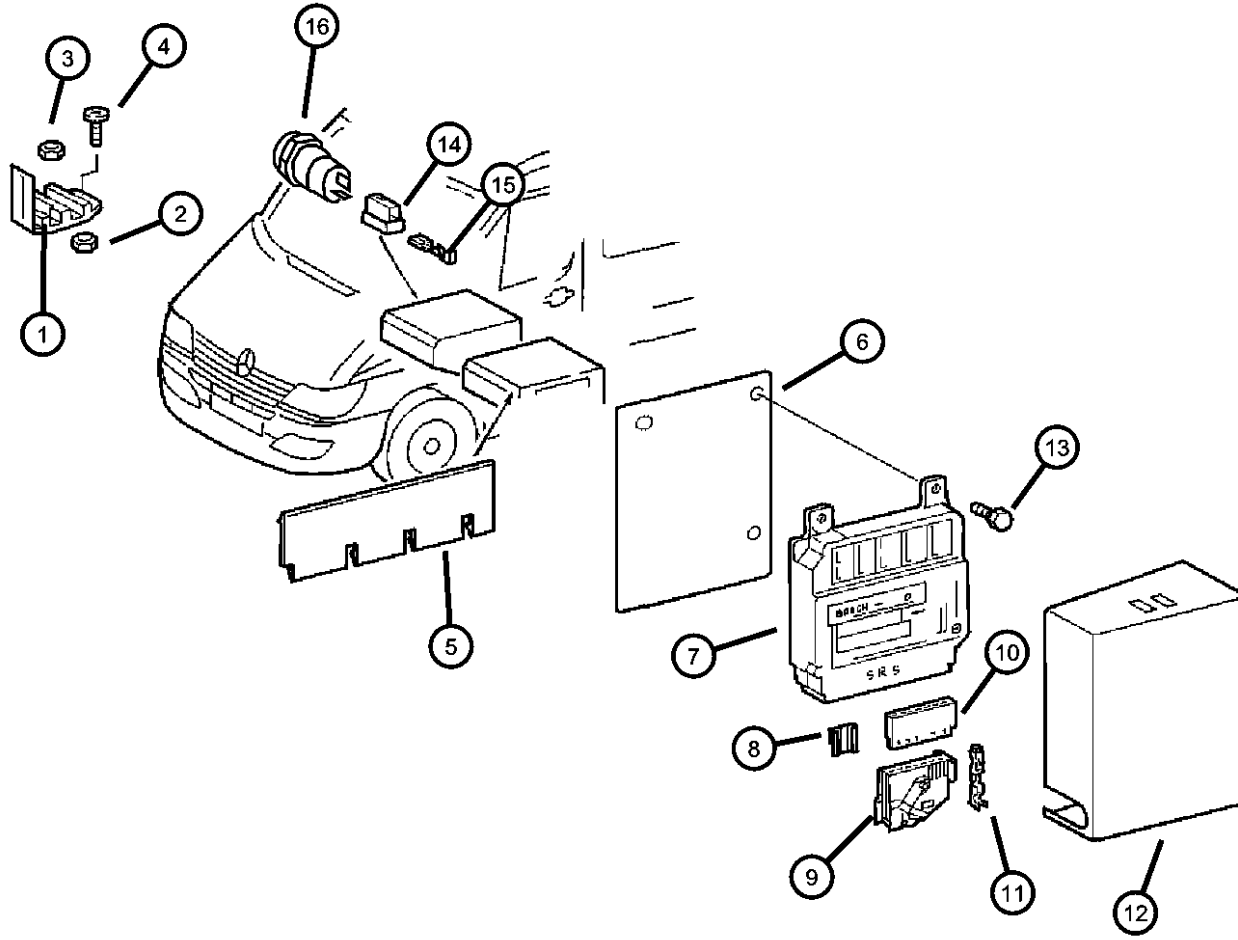
ITEM	PART NUMBER	QTY	LINE	SERIES	BODY	ENGINE	TRANS	TRIM	DESCRIPTION
1	05120249AA	1	2, 6	L	11, 12, 14, 15, 16	EX8	DGZ		RETAINER, Wiring Harness
		1	2, 6	L	51, 52, 54, 55, 56	EX8	DGZ		
		1	3, 7	L	02, 06	EX8	DGZ		
		1	3, 7	L	12, 15, 16	EX8	DGZ		
		1	2, 6	L	01, 02, 06	EX8	DGZ		
2	05126203AA	1	2, 6	L	01, 02, 06	EX8	DGZ		NUT
		1	2, 6	L	11, 12, 14, 15, 16	EX8	DGZ		
		1	2, 6	L	51, 52, 54, 55, 56	EX8	DGZ		
		2	3, 7	L	02, 06	EX8	DGZ		
		2	3, 7	L	12, 15, 16	EX8	DGZ		
3	05126203AA	1	2, 6	L	01, 02, 06	EX8	DGZ		NUT
		1	2, 6	L	11, 12, 14, 15, 16	EX8	DGZ		
		1	2, 6	L	51, 52, 54, 55, 56	EX8	DGZ		
		1	3, 7	L	12, 15, 16	EX8	DGZ		
		1	3, 7	L	02, 06	EX8	DGZ		
4	05126100AA	2	2, 6	L	01, 02, 06	EX8	DGZ		BOLT, Hex Head
		2	2, 6	L	11, 12, 14, 15, 16	EX8	DGZ		
		2	2, 6	L	51, 52, 54, 55, 56	EX8	DGZ		
		2	3, 7	L	02, 06	EX8	DGZ		
		2	3, 7	L	12, 15, 16	EX8	DGZ		

SPRINTER (VA)

SERIES	LINE	BODY	ENGINE	TRANSMISSION
L = LOWLINE	3 = HD DODGE 2WD 8 = HD DODGE 4WD 6 = Lt. Duty DODGE 4WD 2 = Med. Duty DODGE 2WD 7 = Med. Duty DODGE 4WD 4 = TRUCK	01 = CHASSIS FORWARD CONTROL W.B.1 02 = CAB CHASSIS WHEEL BASE 2 06 = CAB CHASSIS WHEEL BASE 6 11 = VAN WHEEL BASE 1 12 = VAN WHEEL BASE 2 51 = WAGON WHEEL BASE 1 52 = WAGON WHEEL BASE 2 14 = VAN WHEEL BASE 4 15 = VAN WHEEL BASE 5 54 = WAGON WHEEL BASE 4 55 = WAGON WHEEL BASE 5 56 = WAGON WHEEL BASE 6 16 = VAN WHEEL BASE 6	EX8 = 2.7L I5 Turbo Diesel Engine EX9 = 2.7L I5 Mercedes-Benz TD Engine	DGJ = 5-Speed Automatic MB Transmission DGZ = 4-Spd. Automatic MT643 Transmission

AR = use ase required - = Non illustrated part

Modules Seating Area
Figure 8-405



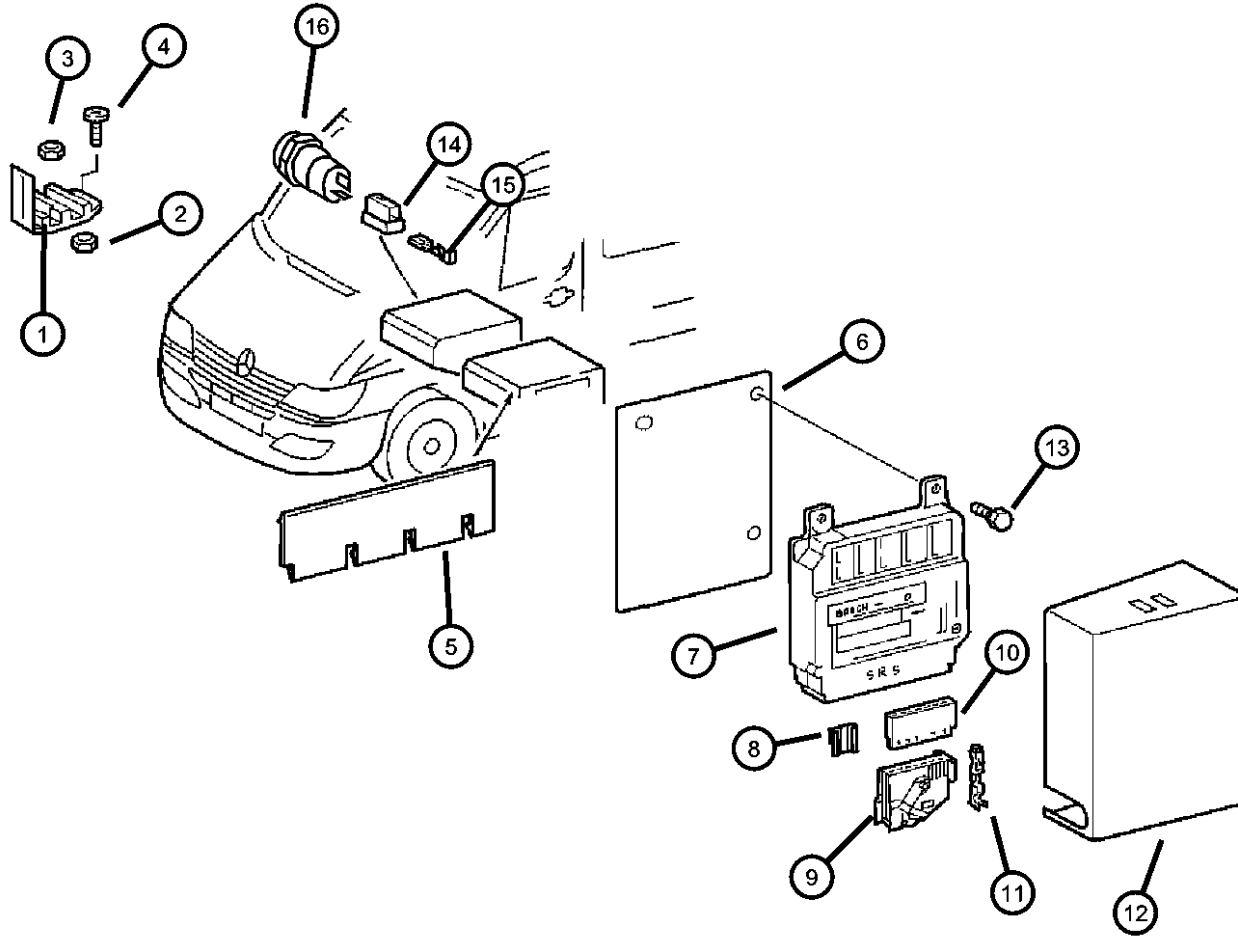
ITEM	PART NUMBER	QTY	LINE	SERIES	BODY	ENGINE	TRANS	TRIM	DESCRIPTION
5									PANEL, Seat Base
	05123542AA	2	2, 6	L	11, 12, 14, 15, 16	EX8	DGZ		
		2	2, 6	L	12, 15	EX8	DGZ		
		2	2, 6	L	51, 52, 54, 55, 56	EX8	DGZ		
		2	2, 6	L	52, 55	EX8	DGZ		
		2	3, 7	L	12, 15	EX8	DGZ		
		6	3, 7	L	16	EX8	DGZ		
6									PLATE, Air Bag Module
	05120891AA	1	2, 6	L	01, 02, 06	EX8	DGZ		
		1	2, 6	L	11, 12, 14, 15, 16	EX8	DGZ		
		1	2, 6	L	51, 52, 54, 55, 56	EX8	DGZ		
		1	3, 7	L	02, 06	EX8	DGZ		
		1	3, 7	L	12, 15, 16	EX8	DGZ		
7									MODULE, Air Bag Control
	05119435AA	1	2, 6	L	01, 02, 06	EX8	DGZ		
		1	2, 6	L	11, 12, 14, 15, 16	EX8	DGZ		
		1	2, 6	L	51, 52, 54, 55, 56	EX8	DGZ		
		1	3, 7	L	02, 06	EX8	DGZ		
		1	3, 7	L	12, 15, 16	EX8	DGZ		
8									COVER, Insulator, Wiring Protection
	05120412AA	1	2, 6	L	11, 12, 14, 15, 16	EX8	DGZ		
		1	2, 6	L	51, 52, 54, 55, 56	EX8	DGZ		
		1	3, 7	L	02, 06	EX8	DGZ		

SPRINTER (VA)

SERIES	LINE	BODY	ENGINE	TRANSMISSION
L = LOWLINE	3 = HD DODGE 2WD 8 = HD DODGE 4WD 6 = Lt. Duty DODGE 4WD 2 = Med. Duty DODGE 2WD 7 = Med. Duty DODGE 4WD 4 = TRUCK	01 = CHASSIS FORWARD CONTROL W.B.1 02 = CAB CHASSIS WHEEL BASE 2 06 = CAB CHASSIS WHEEL BASE 6 11 = VAN WHEEL BASE 1 12 = VAN WHEEL BASE 2 51 = WAGON WHEEL BASE 1 52 = WAGON WHEEL BASE 2 14 = VAN WHEEL BASE 4 15 = VAN WHEEL BASE 5 54 = WAGON WHEEL BASE 4 55 = WAGON WHEEL BASE 5 56 = WAGON WHEEL BASE 6 16 = VAN WHEEL BASE 6	EX8 = 2.7L I5 Turbo Diesel Engine EX9 = 2.7L I5 Mercedes-Benz TD Engine	DGJ = 5-Speed Automatic MB Transmission DGZ = 4-Spd. Automatic MT643 Transmission

AR = use ase required - = Non illustrated part

Modules Seating Area
Figure 8-405



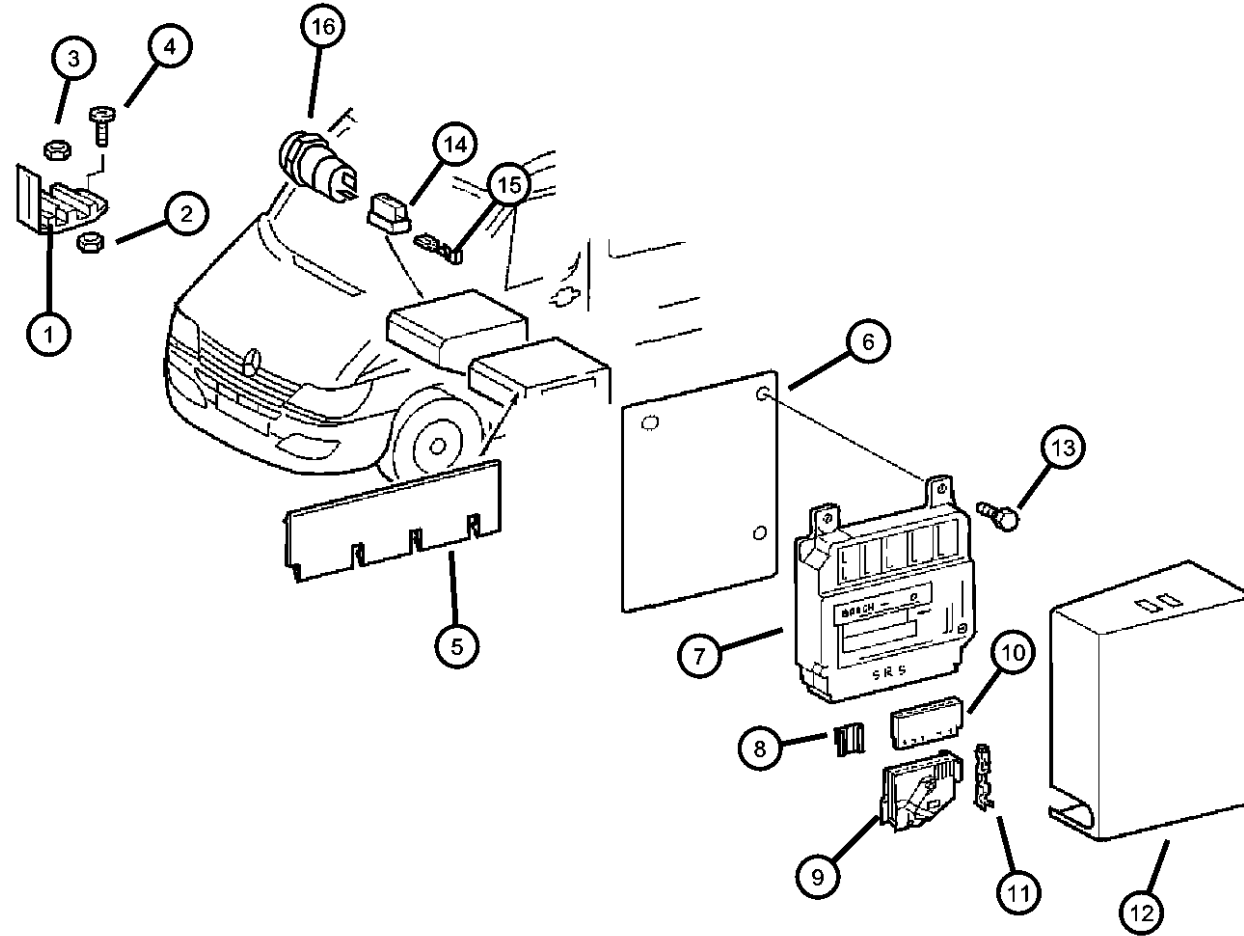
ITEM	PART NUMBER	QTY	LINE	SERIES	BODY	ENGINE	TRANS	TRIM	DESCRIPTION
9	05120799AA	1	3, 7	L	12, 15, 16	EX8	DGZ		CONNECTOR, Wiring
		1	2, 6	L	01, 02, 06	EX8	DGZ		
		1	2, 6	L	01, 02, 06	EX8	DGZ		
		1	2, 6	L	11, 12, 14, 15, 16	EX8	DGZ		
		1	2, 6	L	51, 52, 54, 55, 56	EX8	DGZ		
		1	3, 7	L	02, 06	EX8	DGZ		
10	05120834AA	1	3, 7	L	12, 15, 16	EX8	DGZ		CONNECTOR
		1	2, 6	L	01, 02, 06	EX8	DGZ		
		1	2, 6	L	11, 12, 14, 15, 16	EX8	DGZ		
		1	2, 6	L	51, 52, 54, 55, 56	EX8	DGZ		
		1	3, 7	L	02, 06	EX8	DGZ		
		1	3, 7	L	12, 15, 16	EX8	DGZ		
11	05120549AA	1	3, 7	L	12, 15, 16	EX8	DGZ		TERMINAL
		1	2, 6	L	01, 02, 06	EX8	DGZ		
		1	2, 6	L	11, 12, 14, 15, 16	EX8	DGZ		
		1	2, 6	L	51, 52, 54, 55, 56	EX8	DGZ		
		1	3, 7	L	02, 06	EX8	DGZ		
		1	3, 7	L	12, 15, 16	EX8	DGZ		
12	05104148AA	1	2, 6	L	01, 02, 06	EX8	DGZ		COVER, Air Bag Module
		1	2, 6	L	11, 12, 14, 15, 16	EX8	DGZ		
		1	2, 6	L	51, 52, 54, 55, 56	EX8	DGZ		

SPRINTER (VA)

SERIES	LINE	BODY	ENGINE	TRANSMISSION
L = LOWLINE	3 = HD DODGE 2WD 8 = HD DODGE 4WD 6 = Lt. Duty DODGE 4WD 2 = Med. Duty DODGE 2WD 7 = Med. Duty DODGE 4WD 4 = TRUCK	01 = CHASSIS FORWARD CONTROL W.B.1 02 = CAB CHASSIS WHEEL BASE 2 06 = CAB CHASSIS WHEEL BASE 6 11 = VAN WHEEL BASE 1 12 = VAN WHEEL BASE 2 51 = WAGON WHEEL BASE 1 52 = WAGON WHEEL BASE 2 14 = VAN WHEEL BASE 4 15 = VAN WHEEL BASE 5 54 = WAGON WHEEL BASE 4 55 = WAGON WHEEL BASE 5 56 = WAGON WHEEL BASE 6 16 = VAN WHEEL BASE 6	EX8 = 2.7L I5 Turbo Diesel Engine EX9 = 2.7L I5 Mercedes-Benz TD Engine	DGJ = 5-Speed Automatic MB Transmission DGZ = 4-Spd. Automatic MT643 Transmission

AR = use ase required - = Non illustrated part

Modules Seating Area
Figure 8-405



ITEM	PART NUMBER	QTY	LINE	SERIES	BODY	ENGINE	TRANS	TRIM	DESCRIPTION
		1	3, 7	L	02, 06	EX8	DGZ		
		1	3, 7	L	12, 15, 16	EX8	DGZ		
13	06104005AA	2	2, 6	L	11, 12, 14, 15, 16	EX8	DGZ		SCREW
		2	2, 6	L	51, 52, 54, 55, 56	EX8	DGZ		
		3	2, 6	L	01, 02, 06	EX8	DGZ		
		3	3, 7	L	02, 06	EX8	DGZ		
		3	3, 7	L	12, 15, 16	EX8	DGZ		
14	05103754AA	1	2, 6	L	01, 02, 06	EX8	DGZ		INSULATOR, 2 Way Female, Outlet
		1	2, 6	L	11, 12, 14, 15, 16	EX8	DGZ		Pin / Plug Socket
		1	2, 6	L	51, 52, 54, 55, 56	EX8	DGZ		Pin / Plug Socket
		2	3, 7	L	02, 06	EX8	DGZ		Pin / Plug Socket
		2	3, 7	L	12, 15, 16	EX8	DGZ		Pin / Plug Socket
15	05133359AA	1	2, 6	L	01, 02, 06	EX8	DGZ		TERMINAL, Female, Outlet
		1	2, 6	L	11, 12, 14, 15, 16	EX8	DGZ		
		1	2, 6	L	51, 52, 54, 55, 56	EX8	DGZ		
		1	3, 7	L	02, 06	EX8	DGZ		
		1	3, 7	L	12, 15, 16	EX8	DGZ		
16	05120515AA	1	2, 6	L	01, 02, 06	EX8	DGZ		SOCKET, Accessory, Outlet
		1	2, 6	L	11, 12, 14, 15, 16	EX8	DGZ		Plug Socket To Seat Box
		1	2, 6	L	51, 52, 54, 55, 56	EX8	DGZ		Plug Socket To Seat Box

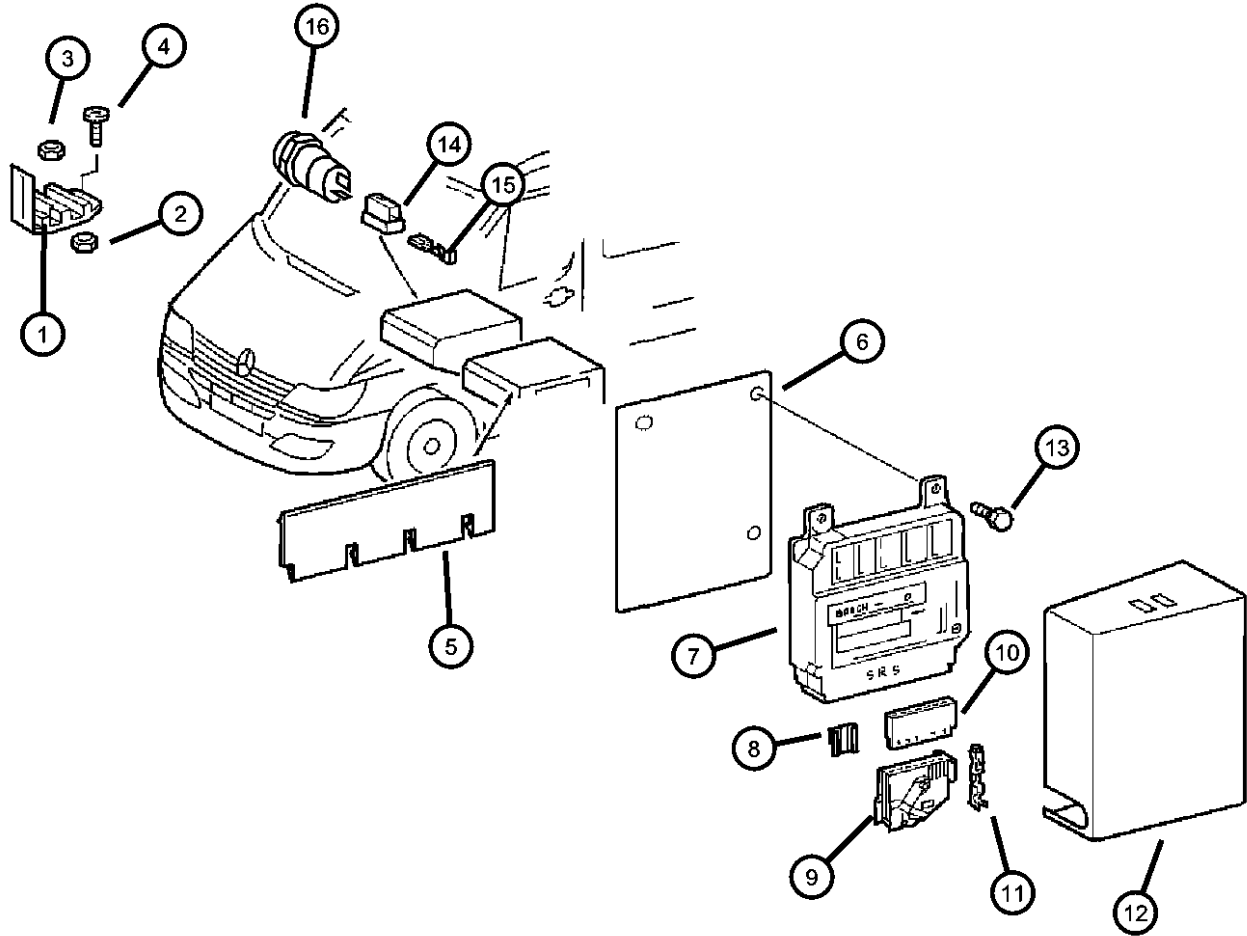
SPRINTER (VA)

SERIES	LINE	BODY	ENGINE	TRANSMISSION
L = LOWLINE	3 = HD DODGE 2WD 8 = HD DODGE 4WD 6 = Lt. Duty DODGE 4WD 2 = Med. Duty DODGE 2WD 7 = Med. Duty DODGE 4WD 4 = TRUCK	01 = CHASSIS FORWARD CONTROL W.B.1 02 = CAB CHASSIS WHEEL BASE 2 06 = CAB CHASSIS WHEEL BASE 6 11 = VAN WHEEL BASE 1 12 = VAN WHEEL BASE 2 51 = WAGON WHEEL BASE 1 52 = WAGON WHEEL BASE 2 14 = VAN WHEEL BASE 4 15 = VAN WHEEL BASE 5 54 = WAGON WHEEL BASE 4 55 = WAGON WHEEL BASE 5 56 = WAGON WHEEL BASE 6 16 = VAN WHEEL BASE 6	EX8 = 2.7L I5 Turbo Diesel Engine EX9 = 2.7L I5 Mercedes-Benz TD Engine	DGJ = 5-Speed Automatic MB Transmission DGZ = 4-Spd. Automatic MT643 Transmission

AR = use ase required - = Non illustrated part

Modules Seating Area
Figure 8-405

ITEM	PART NUMBER	QTY	LINE	SERIES	BODY	ENGINE	TRANS	TRIM	DESCRIPTION
		1	3, 7	L	02, 06	EX8	DGZ		Plug Socket To Seat Box
		1	3, 7	L	12, 15, 16	EX8	DGZ		Plug Socket To Seat Box

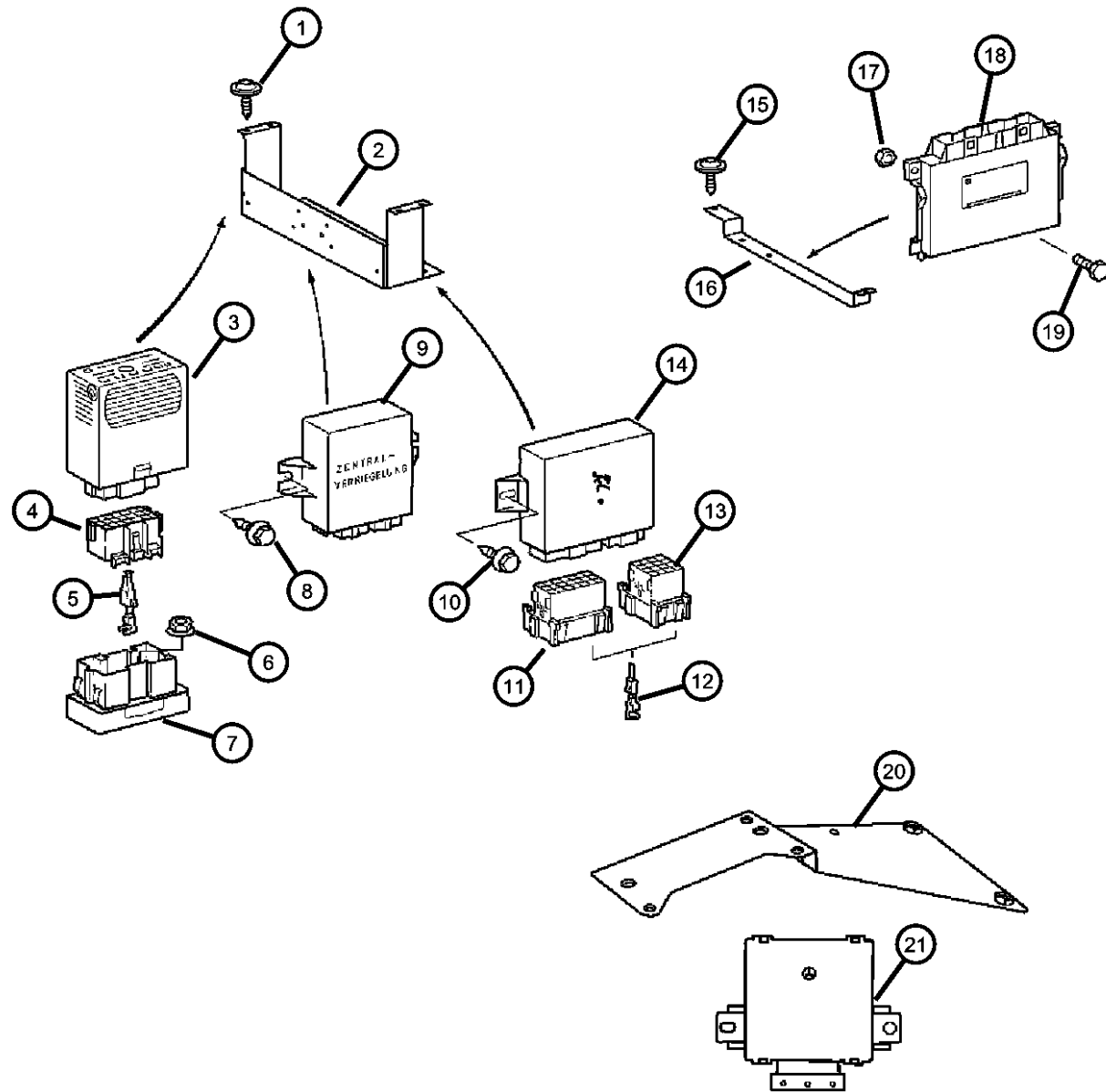


SPRINTER (VA)

SERIES	LINE	BODY	ENGINE	TRANSMISSION
L = LOWLINE	3 = HD DODGE 2WD 8 = HD DODGE 4WD 6 = Lt. Duty DODGE 4WD 2 = Med. Duty DODGE 2WD 7 = Med. Duty DODGE 4WD 4 = TRUCK	01 = CHASSIS FORWARD CONTROL W.B.1 02 = CAB CHASSIS WHEEL BASE 2 06 = CAB CHASSIS WHEEL BASE 6 11 = VAN WHEEL BASE 1 12 = VAN WHEEL BASE 2 51 = WAGON WHEEL BASE 1 52 = WAGON WHEEL BASE 2 14 = VAN WHEEL BASE 4 15 = VAN WHEEL BASE 5 54 = WAGON WHEEL BASE 4 55 = WAGON WHEEL BASE 5 56 = WAGON WHEEL BASE 6 16 = VAN WHEEL BASE 6	EX8 = 2.7L I5 Turbo Diesel Engine EX9 = 2.7L I5 Mercedes-Benz TD Engine	DGJ = 5-Speed Automatic MB Transmission DGZ = 4-Spd. Automatic MT643 Transmission

AR = use ase required - = Non illustrated part

Modules and Related Parts
Figure 8-410



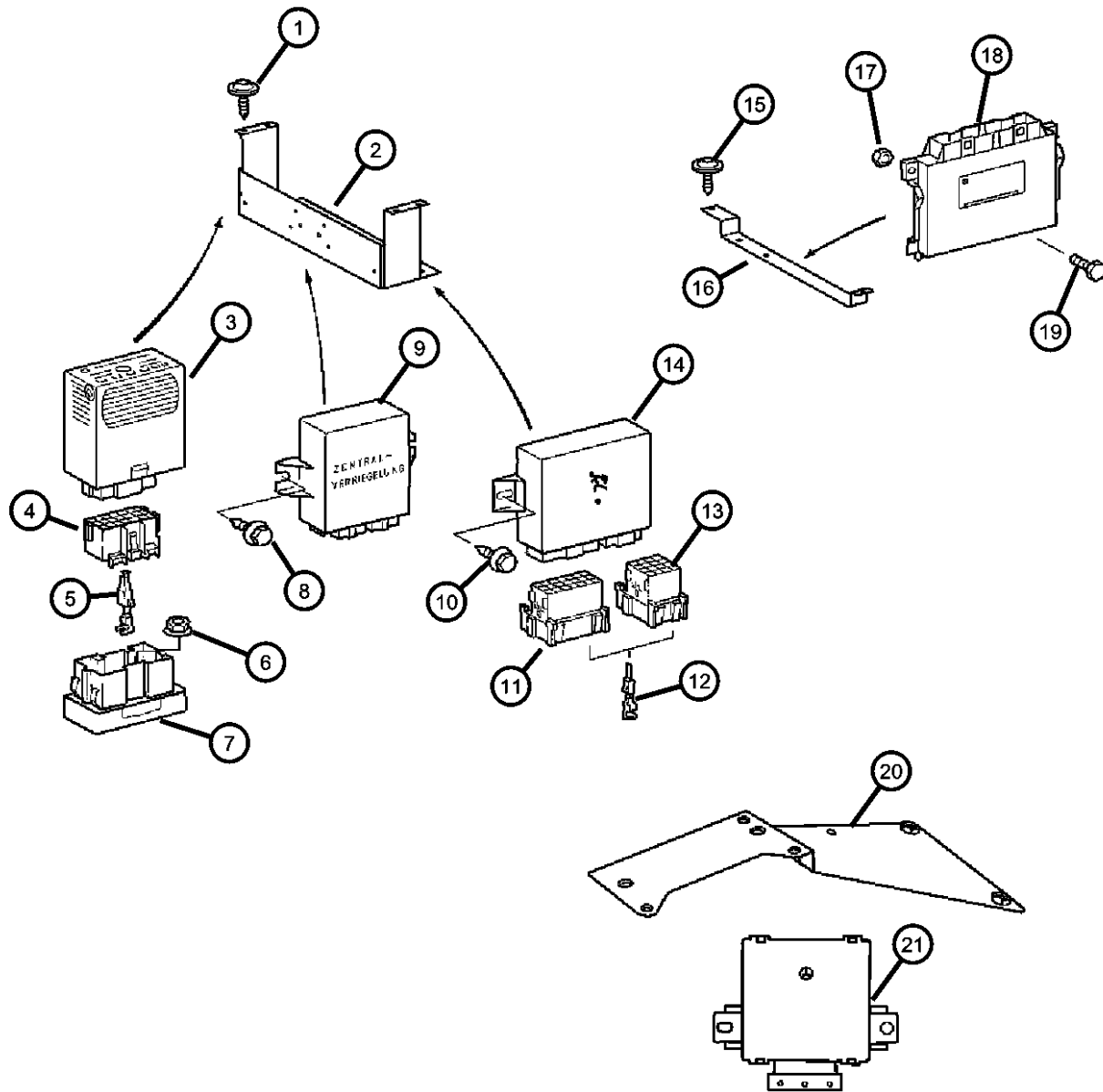
ITEM	PART NUMBER	QTY	LINE	SERIES	BODY	ENGINE	TRANS	TRIM	DESCRIPTION
1	06104573AA	2	2, 6	L	01, 02, 06	EX8	DGZ		SCREW, Tapping
		2	2, 6	L	11, 12, 14, 15, 16	EX8	DGZ		
		2	3, 7	L	12, 15, 16	EX8	DGZ		
		2	2, 6	L	51, 52, 54, 55, 56	EX8	DGZ		
		2	3, 7	L	02, 06	EX8	DGZ		
2	05120844AA	1	2, 6	L	01, 02, 06	EX8	DGZ		BRACKET, Fuse Block
		1	2, 6	L	11, 12, 14, 15, 16	EX8	DGZ		
		1	2, 6	L	51, 52, 54, 55, 56	EX8	DGZ		
		1	3, 7	L	02, 06	EX8	DGZ		
		1	3, 7	L	12, 15, 16	EX8	DGZ		
3	05139996AA	1	2, 6	L	11, 12, 14, 15, 16	EX8	DGZ		FLASHER MODULE, FLASHER MODULE-TURN SIGNAL
		1	2, 6	L	51, 52, 54, 55, 56	EX8	DGZ		
		1	2, 6	L	01, 02, 06	EX8	DGZ		
		1	3, 7	L	02, 06	EX8	DGZ		
		1	3, 7	L	12, 15, 16	EX8	DGZ		
4	05133333AA	1	2, 6	L	01, 02, 06	EX8	DGZ		CONNECTOR
		1	2, 6	L	11, 12, 14, 15, 16	EX8	DGZ		
		1	2, 6	L	51, 52, 54, 55, 56	EX8	DGZ		
		1	3, 7	L	02, 06	EX8	DGZ		
		1	3, 7	L	12, 15, 16	EX8	DGZ		

SPRINTER (VA)

SERIES	LINE	BODY	ENGINE	TRANSMISSION
L = LOWLINE	3 = HD DODGE 2WD 8 = HD DODGE 4WD 6 = Lt. Duty DODGE 4WD 2 = Med. Duty DODGE 2WD 7 = Med. Duty DODGE 4WD 4 = TRUCK	01 = CHASSIS FORWARD CONTROL W.B.1 02 = CAB CHASSIS WHEEL BASE 2 06 = CAB CHASSIS WHEEL BASE 6 11 = VAN WHEEL BASE 1 12 = VAN WHEEL BASE 2 51 = WAGON WHEEL BASE 1 52 = WAGON WHEEL BASE 2 14 = VAN WHEEL BASE 4 15 = VAN WHEEL BASE 5 54 = WAGON WHEEL BASE 4 55 = WAGON WHEEL BASE 5 56 = WAGON WHEEL BASE 6 16 = VAN WHEEL BASE 6	EX8 = 2.7L I5 Turbo Diesel Engine EX9 = 2.7L I5 Mercedes-Benz TD Engine	DGJ = 5-Speed Automatic MB Transmission DGZ = 4-Spd. Automatic MT643 Transmission

AR = use ase required - = Non illustrated part

Modules and Related Parts
Figure 8-410



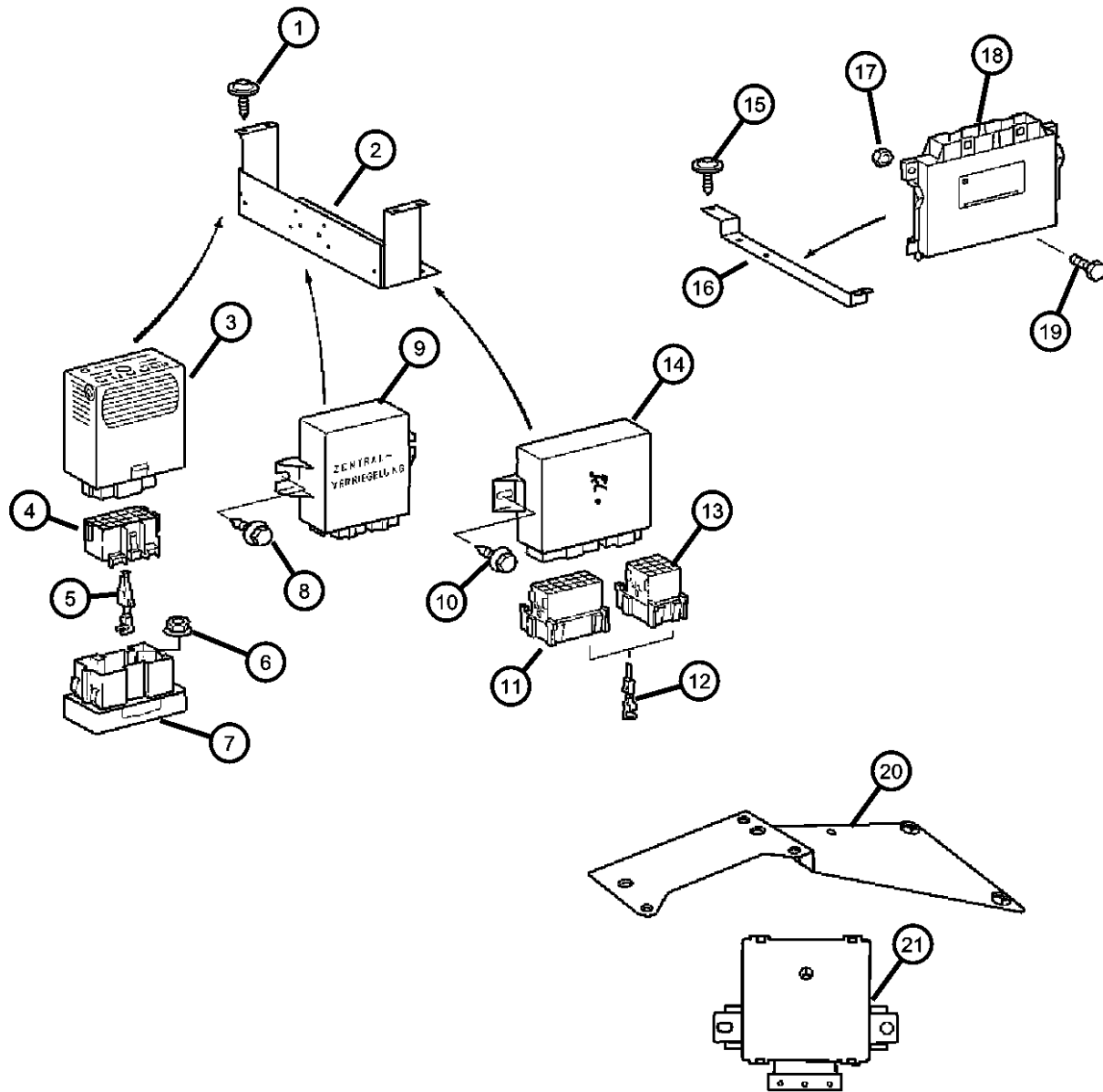
ITEM	PART NUMBER	QTY	LINE	SERIES	BODY	ENGINE	TRANS	TRIM	DESCRIPTION
5									TERMINAL
	05103881AA	99	2, 6	L	01, 02, 06	EX8	DGZ		
		99	2, 6	L	11, 12, 14, 15, 16	EX8	DGZ		
		99	2, 6	L	51, 52, 54, 55, 56	EX8	DGZ		
		99	3, 7	L	02, 06	EX8	DGZ		
		99	3, 7	L	12, 15, 16	EX8	DGZ		
6									NUT
	06104714AA	2	2, 6	L	01, 02, 06	EX8	DGZ		
		2	2, 6	L	11, 12, 14, 15, 16	EX8	DGZ		
		2	2, 6	L	51, 52, 54, 55, 56	EX8	DGZ		
		2	3, 7	L	02, 06	EX8	DGZ		
		2	3, 7	L	12, 15, 16	EX8	DGZ		
7									CONNECTOR
	05139184AA	1	2, 6	L	01, 02, 06	EX8	DGZ		
		1	2, 6	L	11, 12, 14, 15, 16	EX8	DGZ		
		1	2, 6	L	51, 52, 54, 55, 56	EX8	DGZ		
		1	3, 7	L	02, 06	EX8	DGZ		
		1	3, 7	L	12, 15, 16	EX8	DGZ		
8									SCREW
	05104609AA	4	2, 6	L	11, 12, 14, 15, 16	EX8	DGZ		
		4	2, 6	L	51, 52, 54, 55, 56	EX8	DGZ		
		4	2, 6	L	01, 02, 06	EX8	DGZ		
		4	3, 7	L	02, 06	EX8	DGZ		
		4	3, 7	L	12, 15, 16	EX8	DGZ		

SPRINTER (VA)

SERIES	LINE	BODY	ENGINE	TRANSMISSION
L = LOWLINE	3 = HD DODGE 2WD 8 = HD DODGE 4WD 6 = Lt. Duty DODGE 4WD 2 = Med. Duty DODGE 2WD 7 = Med. Duty DODGE 4WD 4 = TRUCK	01 = CHASSIS FORWARD CONTROL W.B.1 02 = CAB CHASSIS WHEEL BASE 2 06 = CAB CHASSIS WHEEL BASE 6 11 = VAN WHEEL BASE 1 12 = VAN WHEEL BASE 2 51 = WAGON WHEEL BASE 1 52 = WAGON WHEEL BASE 2 14 = VAN WHEEL BASE 4 15 = VAN WHEEL BASE 5 54 = WAGON WHEEL BASE 4 55 = WAGON WHEEL BASE 5 56 = WAGON WHEEL BASE 6 16 = VAN WHEEL BASE 6	EX8 = 2.7L I5 Turbo Diesel Engine EX9 = 2.7L I5 Mercedes-Benz TD Engine	DGJ = 5-Speed Automatic MB Transmission DGZ = 4-Spd. Automatic MT643 Transmission

AR = use ase required - = Non illustrated part

Modules and Related Parts
Figure 8-410



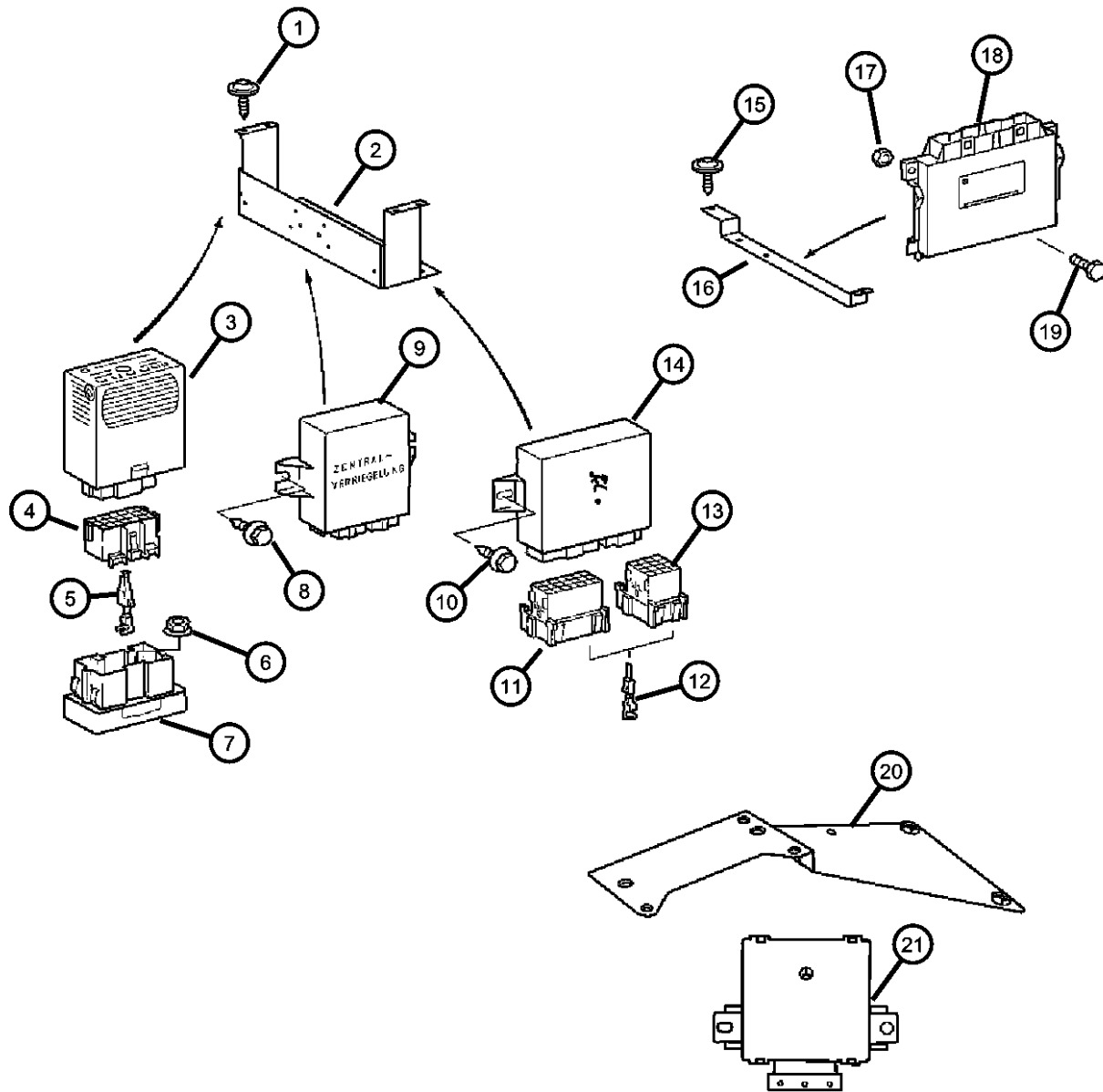
ITEM	PART NUMBER	QTY	LINE	SERIES	BODY	ENGINE	TRANS	TRIM	DESCRIPTION
9									MODULE, Central Locking
	05127217AA	1	2, 6	L	01, 02, 06	EX8	DGZ		
		1	2, 6	L	11, 12, 14, 15, 16	EX8	DGZ		
		1	3, 7	L	02, 06	EX8	DGZ		
		1	3, 7	L	12, 15, 16	EX8	DGZ		
	05129301AA	1	2, 6	L	51, 52, 54, 55, 56	EX8	DGZ		
10									SCREW, Tapping
	06104574AA	2	3, 7	L	02, 06	EX8	DGZ		
		2	3, 7	L	12, 15, 16	EX8	DGZ		
		2	2, 6	L	01, 02, 06	EX8	DGZ		
		2	2, 6	L	11, 12, 14, 15, 16	EX8	DGZ		
		2	2, 6	L	51, 52, 54, 55, 56	EX8	DGZ		
11									CONNECTOR
	05133333AA	1	2, 6	L	01, 02, 06	EX8	DGZ		
		1	2, 6	L	11, 12, 14, 15, 16	EX8	DGZ		
		1	2, 6	L	51, 52, 54, 55, 56	EX8	DGZ		
		1	3, 7	L	02, 06	EX8	DGZ		
		1	3, 7	L	12, 15, 16	EX8	DGZ		
12									TERMINAL
	05103882AA	99	2, 6	L	01, 02, 06	EX8	DGZ		
		99	2, 6	L	11, 12, 14, 15, 16	EX8	DGZ		
		99	2, 6	L	51, 52, 54, 55, 56	EX8	DGZ		
		99	3, 7	L	02, 06	EX8	DGZ		
		99	3, 7	L	12, 15, 16	EX8	DGZ		

SPRINTER (VA)

SERIES	LINE	BODY	ENGINE	TRANSMISSION
L = LOWLINE	3 = HD DODGE 2WD 8 = HD DODGE 4WD 6 = Lt. Duty DODGE 4WD 2 = Med. Duty DODGE 2WD 7 = Med. Duty DODGE 4WD 4 = TRUCK	01 = CHASSIS FORWARD CONTROL W.B.1 02 = CAB CHASSIS WHEEL BASE 2 06 = CAB CHASSIS WHEEL BASE 6 11 = VAN WHEEL BASE 1 12 = VAN WHEEL BASE 2 51 = WAGON WHEEL BASE 1 52 = WAGON WHEEL BASE 2 14 = VAN WHEEL BASE 4 15 = VAN WHEEL BASE 5 54 = WAGON WHEEL BASE 4 55 = WAGON WHEEL BASE 5 56 = WAGON WHEEL BASE 6 16 = VAN WHEEL BASE 6	EX8 = 2.7L I5 Turbo Diesel Engine EX9 = 2.7L I5 Mercedes-Benz TD Engine	DGJ = 5-Speed Automatic MB Transmission DGZ = 4-Spd. Automatic MT643 Transmission

AR = use ase required - = Non illustrated part

Modules and Related Parts
Figure 8-410



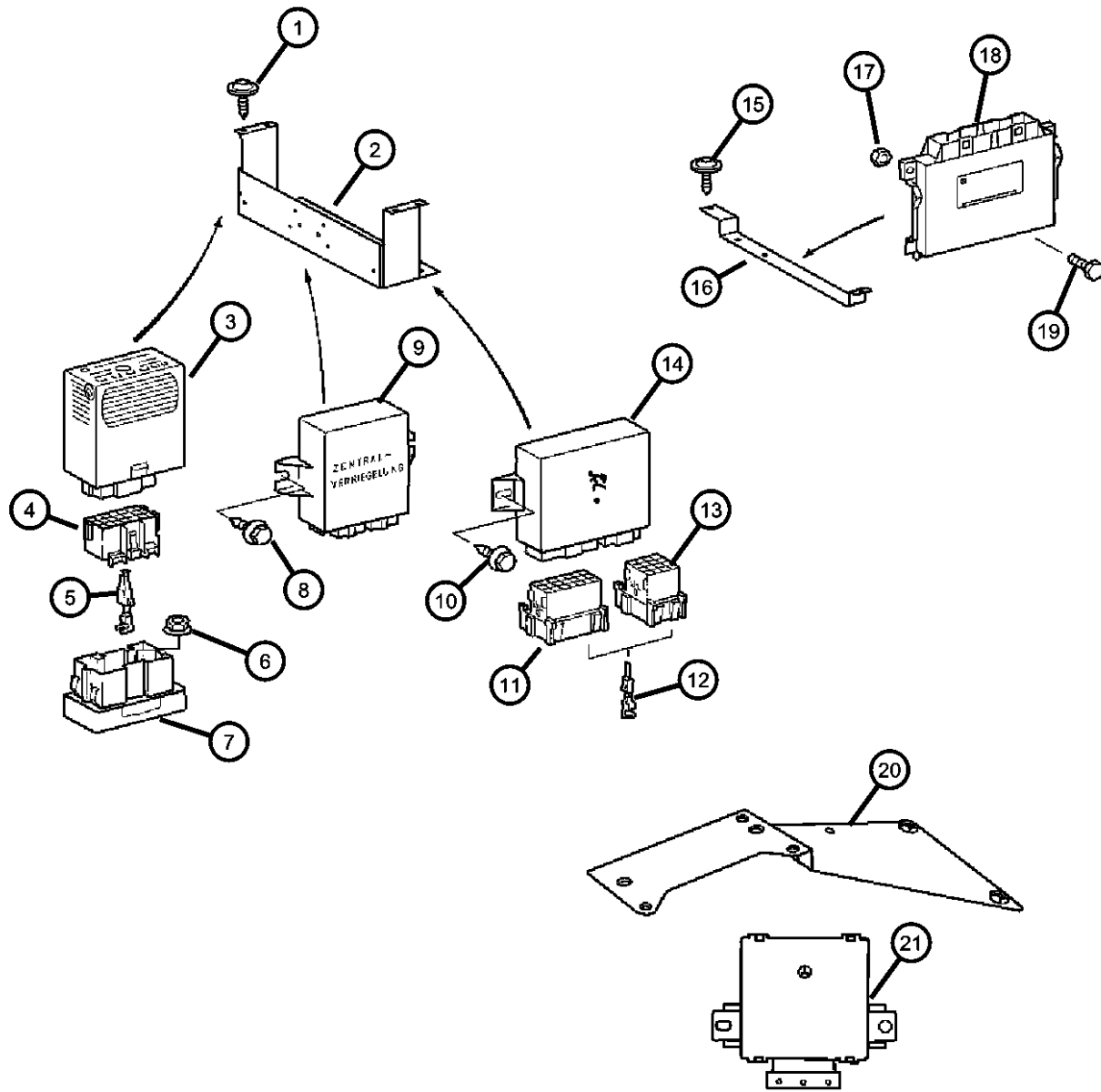
ITEM	PART NUMBER	QTY	LINE	SERIES	BODY	ENGINE	TRANS	TRIM	DESCRIPTION
13	05120552AA	1	2, 6	L	01, 02, 06	EX8	DGZ		CONNECTOR
		1	2, 6	L	11, 12, 14, 15, 16	EX8	DGZ		
		1	2, 6	L	51, 52, 54, 55, 56	EX8	DGZ		
		1	3, 7	L	02, 06	EX8	DGZ		
		1	3, 7	L	12, 15, 16	EX8	DGZ		
14	05119439AA	1	2, 6	L	01, 02, 06	EX8	DGZ		CONTROL, Theftproof
		1	2, 6	L	11, 12, 14, 15, 16	EX8	DGZ		
		1	2, 6	L	51, 52, 54, 55, 56	EX8	DGZ		
		1	3, 7	L	02, 06	EX8	DGZ		
		1	3, 7	L	12, 15, 16	EX8	DGZ		
15	06104573AA	2	2, 6	L	01, 02, 06	EX8	DGZ		SCREW, Tapping
		2	3, 7	L	02, 06	EX8	DGZ		
		2	3, 7	L	12, 15, 16	EX8	DGZ		
		2	2, 6	L	11, 12, 14, 15, 16	EX8	DGZ		
		2	2, 6	L	51, 52, 54, 55, 56	EX8	DGZ		
16	05120842AA	2	3, 7	L	12, 15, 16	EX8	DGZ		BRACKET, Control Unit
		2	2, 6	L	01, 02, 06	EX8	DGZ		
		2	2, 6	L	11, 12, 14, 15, 16	EX8	DGZ		
		2	2, 6	L	51, 52, 54, 55, 56	EX8	DGZ		
		2	3, 7	L	02, 06	EX8	DGZ		

SPRINTER (VA)

SERIES	LINE	BODY	ENGINE	TRANSMISSION
L = LOWLINE	3 = HD DODGE 2WD 8 = HD DODGE 4WD 6 = Lt. Duty DODGE 4WD 2 = Med. Duty DODGE 2WD 7 = Med. Duty DODGE 4WD 4 = TRUCK	01 = CHASSIS FORWARD CONTROL W.B.1 02 = CAB CHASSIS WHEEL BASE 2 06 = CAB CHASSIS WHEEL BASE 6 11 = VAN WHEEL BASE 1 12 = VAN WHEEL BASE 2 51 = WAGON WHEEL BASE 1 52 = WAGON WHEEL BASE 2 14 = VAN WHEEL BASE 4 15 = VAN WHEEL BASE 5 54 = WAGON WHEEL BASE 4 55 = WAGON WHEEL BASE 5 56 = WAGON WHEEL BASE 6 16 = VAN WHEEL BASE 6	EX8 = 2.7L I5 Turbo Diesel Engine EX9 = 2.7L I5 Mercedes-Benz TD Engine	DGJ = 5-Speed Automatic MB Transmission DGZ = 4-Spd. Automatic MT643 Transmission

AR = use ase required - = Non illustrated part

Modules and Related Parts
Figure 8-410



ITEM	PART NUMBER	QTY	LINE	SERIES	BODY	ENGINE	TRANS	TRIM	DESCRIPTION
17	06104714AA	2	2, 6	L	01, 02, 06	EX8	DGZ		NUT
		2	2, 6	L	11, 12, 14, 15, 16	EX8	DGZ		
		2	2, 6	L	51, 52, 54, 55, 56	EX8	DGZ		
		2	3, 7	L	02, 06	EX8	DGZ		
		2	3, 7	L	12, 15, 16	EX8	DGZ		
18	05140526AA	1	2, 6	L	11, 12, 14, 15, 16	EX8	DGZ		MODULE, Transmission Control
		1	2, 6	L	51, 52, 54, 55, 56	EX8	DGZ		
		1	3, 7	L	02, 06	EX8	DGZ		
		1	3, 7	L	12, 15, 16	EX8	DGZ		
		1	2, 6	L	01, 02, 06	EX8	DGZ		
19	06104173AA	2	2, 6	L	01, 02, 06	EX8	DGZ		SCREW, Hex Head
		2	2, 6	L	11, 12, 14, 15, 16	EX8	DGZ		
		2	2, 6	L	51, 52, 54, 55, 56	EX8	DGZ		
		2	3, 7	L	02, 06	EX8	DGZ		
		2	3, 7	L	12, 15, 16	EX8	DGZ		
20	05120255AA	1	2, 6	L	01, 02, 06	EX8	DGZ		BRACKET, Module
		1	2, 6	L	11, 12, 14, 15, 16	EX8	DGZ		
		1	2, 6	L	51, 52, 54, 55, 56	EX8	DGZ		
		1	3, 7	L	02, 06	EX8	DGZ		
		1	3, 7	L	12, 15, 16	EX8	DGZ		

SPRINTER (VA)

SERIES

L = LOWLINE

LINE

3 = HD DODGE 2WD
8 = HD DODGE 4WD
6 = Lt. Duty DODGE 4WD
2 = Med. Duty DODGE 2WD
7 = Med. Duty DODGE 4WD
4 = TRUCK

BODY

01 = CHASSIS FORWARD CONTROL W.B.1
02 = CAB CHASSIS WHEEL BASE 2
06 = CAB CHASSIS WHEEL BASE 6
11 = VAN WHEEL BASE 1
12 = VAN WHEEL BASE 2
51 = WAGON WHEEL BASE 1
52 = WAGON WHEEL BASE 2
14 = VAN WHEEL BASE 4
15 = VAN WHEEL BASE 5
54 = WAGON WHEEL BASE 4
55 = WAGON WHEEL BASE 5
56 = WAGON WHEEL BASE 6
16 = VAN WHEEL BASE 6

ENGINE

EX8 = 2.7L I5 Turbo Diesel Engine
EX9 = 2.7L I5 Mercedes-Benz TD Engine

TRANSMISSION

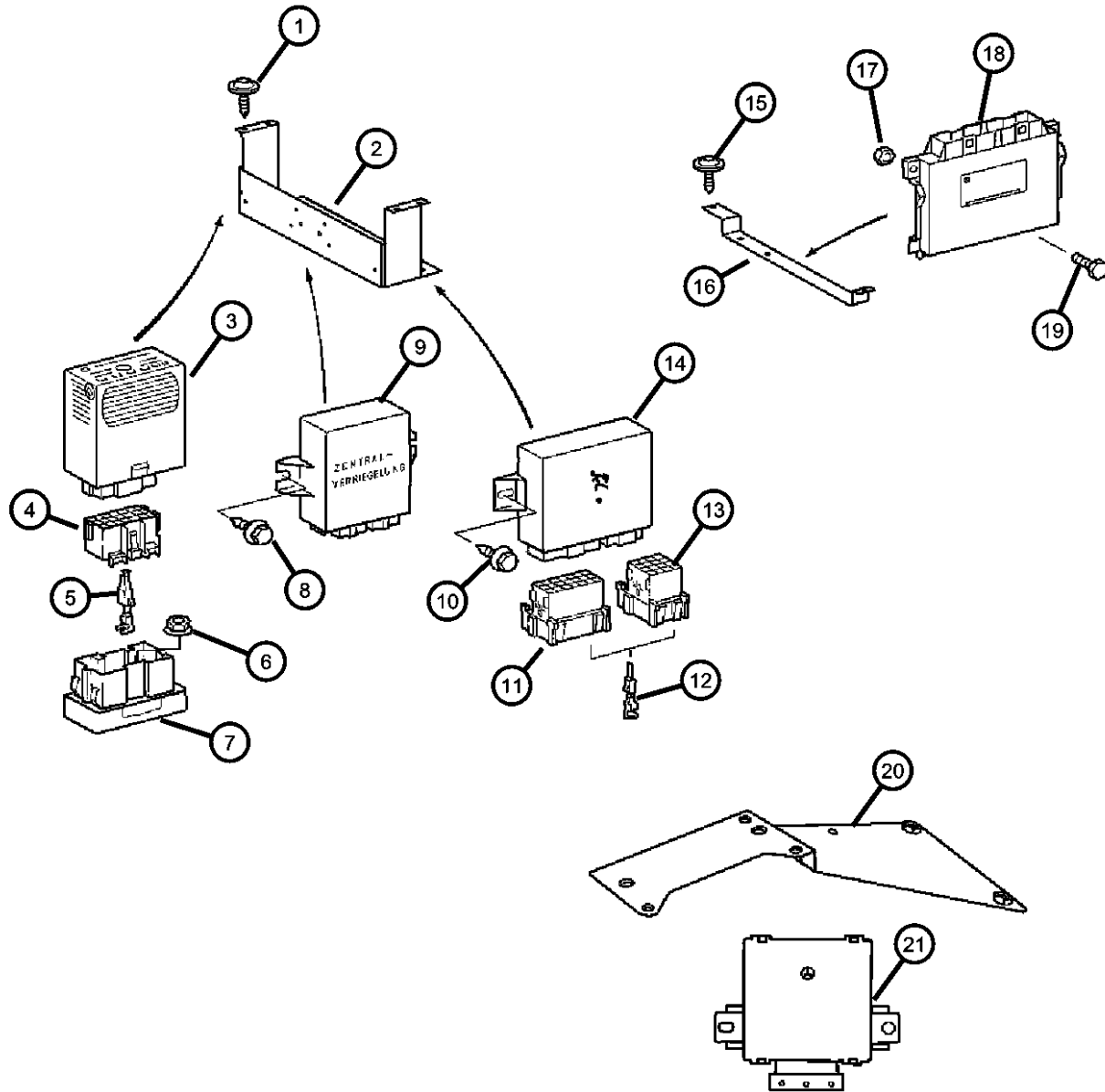
DGJ = 5-Speed Automatic MB Transmission
DGZ = 4-Spd. Automatic MT643 Transmission

AR = use ase required - = Non illustrated part

2006 VA

Modules and Related Parts
Figure 8-410

ITEM	PART NUMBER	QTY	LINE	SERIES	BODY	ENGINE	TRANS	TRIM	DESCRIPTION
21	05124447AA	1	2, 6	L	01, 02, 06	EX8	DGZ		MODULE, Rain Sensor
		1	2, 6	L	11, 12, 14, 15, 16	EX8	DGZ		
		1	2, 6	L	51, 52, 54, 55, 56	EX8	DGZ		
		1	3, 7	L	02, 06	EX8	DGZ		
		1	3, 7	L	12, 15, 16	EX8	DGZ		
-22	06104075AA	2	3, 7	L	02, 06	EX8	DGZ		SCREW
		2	3, 7	L	12, 15, 16	EX8	DGZ		
		2	2, 6	L	01, 02, 06	EX8	DGZ		
		2	2, 6	L	11, 12, 14, 15, 16	EX8	DGZ		
		2	2, 6	L	51, 52, 54, 55, 56	EX8	DGZ		



SPRINTER (VA)

SERIES

L = LOWLINE

LINE

3 = HD DODGE 2WD
8 = HD DODGE 4WD
6 = Lt. Duty DODGE 4WD
2 = Med. Duty DODGE 2WD
7 = Med. Duty DODGE 4WD
4 = TRUCK

BODY

01 = CHASSIS FORWARD CONTROL W.B.1
02 = CAB CHASSIS WHEEL BASE 2
06 = CAB CHASSIS WHEEL BASE 6
11 = VAN WHEEL BASE 1
12 = VAN WHEEL BASE 2
51 = WAGON WHEEL BASE 1
52 = WAGON WHEEL BASE 2
14 = VAN WHEEL BASE 4
15 = VAN WHEEL BASE 5
54 = WAGON WHEEL BASE 4
55 = WAGON WHEEL BASE 5
56 = WAGON WHEEL BASE 6
16 = VAN WHEEL BASE 6

ENGINE

EX8 = 2.7L I5 Turbo Diesel Engine
EX9 = 2.7L I5 Mercedes-Benz TD Engine

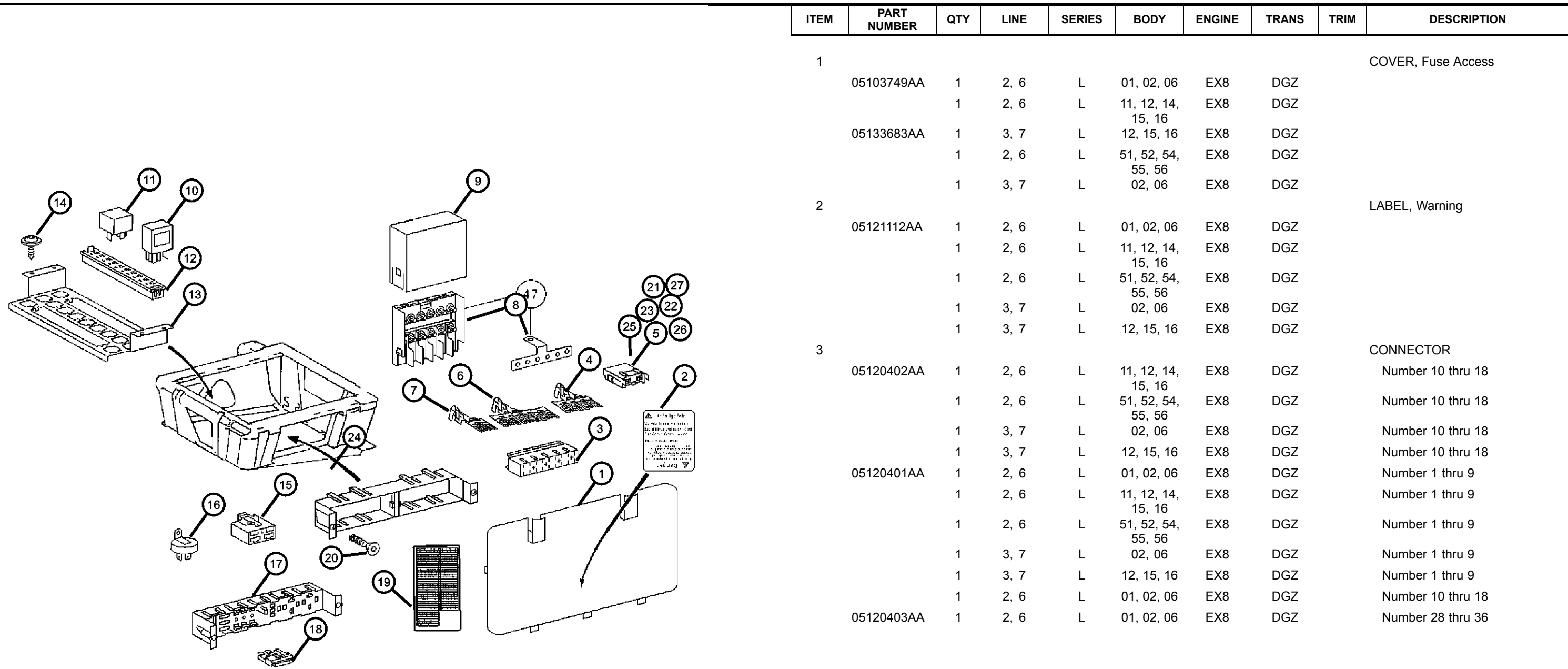
TRANSMISSION

DGJ = 5-Speed Automatic MB Transmission
DGZ = 4-Spd. Automatic MT643 Transmission

AR = use ase required - = Non illustrated part

2006 VA

Under Seat - Relays & Fuses
Figure 8-505



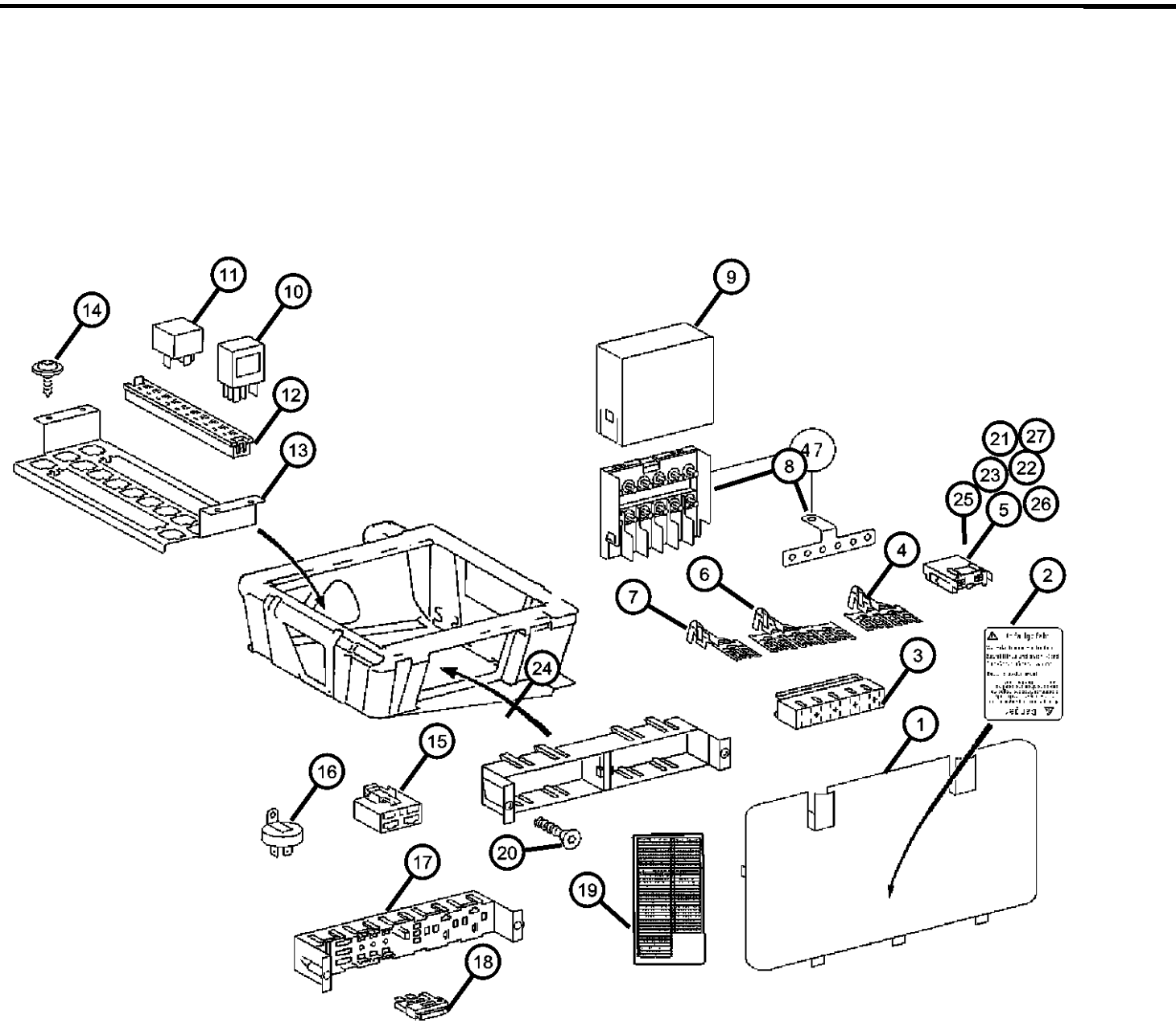
ITEM	PART NUMBER	QTY	LINE	SERIES	BODY	ENGINE	TRANS	TRIM	DESCRIPTION
1	05103749AA	1	2, 6	L	01, 02, 06	EX8	DGZ		COVER, Fuse Access
		1	2, 6	L	11, 12, 14, 15, 16	EX8	DGZ		
		1	3, 7	L	12, 15, 16	EX8	DGZ		
		1	2, 6	L	51, 52, 54, 55, 56	EX8	DGZ		
		1	3, 7	L	02, 06	EX8	DGZ		
2	05121112AA	1	2, 6	L	01, 02, 06	EX8	DGZ		LABEL, Warning
		1	2, 6	L	11, 12, 14, 15, 16	EX8	DGZ		
		1	2, 6	L	51, 52, 54, 55, 56	EX8	DGZ		
		1	3, 7	L	02, 06	EX8	DGZ		
		1	3, 7	L	12, 15, 16	EX8	DGZ		
3	05120402AA	1	2, 6	L	11, 12, 14, 15, 16	EX8	DGZ		CONNECTOR Number 10 thru 18
		1	2, 6	L	51, 52, 54, 55, 56	EX8	DGZ		
		1	3, 7	L	02, 06	EX8	DGZ		
		1	3, 7	L	12, 15, 16	EX8	DGZ		
		1	3, 7	L	12, 15, 16	EX8	DGZ		
	05120401AA	1	2, 6	L	01, 02, 06	EX8	DGZ		CONNECTOR Number 1 thru 9
		1	2, 6	L	11, 12, 14, 15, 16	EX8	DGZ		
		1	2, 6	L	51, 52, 54, 55, 56	EX8	DGZ		
		1	3, 7	L	02, 06	EX8	DGZ		
		1	3, 7	L	12, 15, 16	EX8	DGZ		
05120403AA	1	2, 6	L	01, 02, 06	EX8	DGZ		CONNECTOR Number 28 thru 36	

SPRINTER (VA)

SERIES	LINE	BODY	ENGINE	TRANSMISSION
L = LOWLINE	3 = HD DODGE 2WD 8 = HD DODGE 4WD 6 = Lt. Duty DODGE 4WD 2 = Med. Duty DODGE 2WD 7 = Med. Duty DODGE 4WD 4 = TRUCK	01 = CHASSIS FORWARD CONTROL W.B.1 02 = CAB CHASSIS WHEEL BASE 2 06 = CAB CHASSIS WHEEL BASE 6 11 = VAN WHEEL BASE 1 12 = VAN WHEEL BASE 2 51 = WAGON WHEEL BASE 1 52 = WAGON WHEEL BASE 2 14 = VAN WHEEL BASE 4 15 = VAN WHEEL BASE 5 54 = WAGON WHEEL BASE 4 55 = WAGON WHEEL BASE 5 56 = WAGON WHEEL BASE 6 16 = VAN WHEEL BASE 6	EX8 = 2.7L I5 Turbo Diesel Engine EX9 = 2.7L I5 Mercedes-Benz TD Engine	DGJ = 5-Speed Automatic MB Transmission DGZ = 4-Spd. Automatic MT643 Transmission

AR = use ase required - = Non illustrated part

Under Seat - Relays & Fuses
Figure 8-505



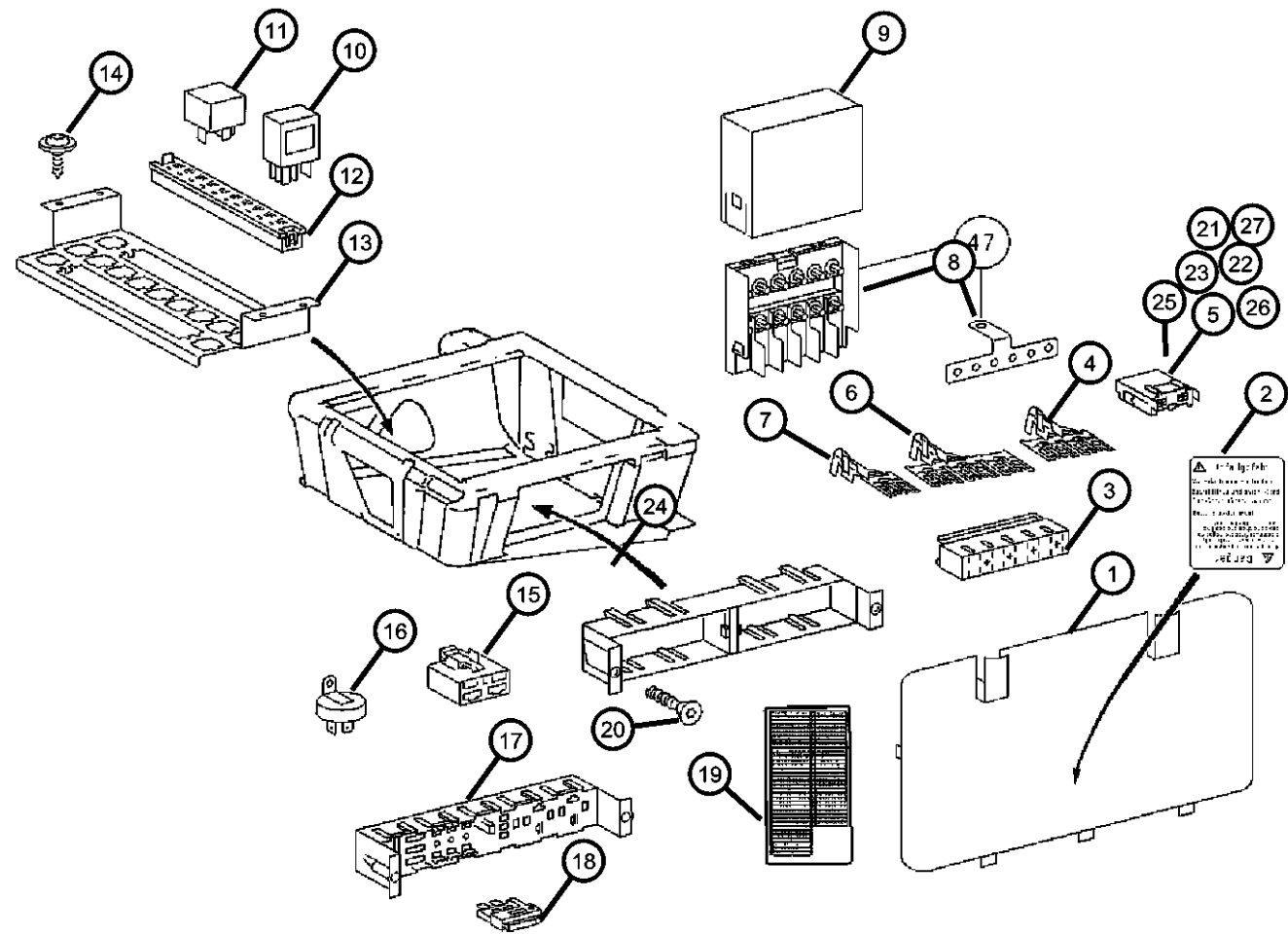
ITEM	PART NUMBER	QTY	LINE	SERIES	BODY	ENGINE	TRANS	TRIM	DESCRIPTION
4	05133404AA	1	2, 6	L	11, 12, 14, 15, 16	EX8	DGZ		Number 28 thru 36
		1	2, 6	L	51, 52, 54, 55, 56	EX8	DGZ		Number 28 thru 36
		1	3, 7	L	02, 06	EX8	DGZ		Number 28 thru 36
		1	3, 7	L	12, 15, 16	EX8	DGZ		Number 28 thru 36
5	05133407AA	99	3, 7	L	12, 15, 16	EX8	DGZ		TERMINAL
		99	2, 6	L	01, 02, 06	EX8	DGZ		
		99	2, 6	L	11, 12, 14, 15, 16	EX8	DGZ		
		99	2, 6	L	51, 52, 54, 55, 56	EX8	DGZ		
		99	3, 7	L	02, 06	EX8	DGZ		
6	05133405AA	1	2, 6	L	01, 02, 06	EX8	DGZ		FUSE
		1	2, 6	L	11, 12, 14, 15, 16	EX8	DGZ		
		1	2, 6	L	51, 52, 54, 55, 56	EX8	DGZ		
		1	3, 7	L	02, 06	EX8	DGZ		
		1	3, 7	L	12, 15, 16	EX8	DGZ		
		99	2, 6	L	01, 02, 06	EX8	DGZ		
7	05133405AA	99	2, 6	L	11, 12, 14, 15, 16	EX8	DGZ		
		99	2, 6	L	51, 52, 54, 55, 56	EX8	DGZ		
		99	3, 7	L	02, 06	EX8	DGZ		
		99	3, 7	L	12, 15, 16	EX8	DGZ		
		99	3, 7	L	12, 15, 16	EX8	DGZ		TERMINAL

SPRINTER (VA)

SERIES	LINE	BODY	ENGINE	TRANSMISSION
L = LOWLINE	3 = HD DODGE 2WD 8 = HD DODGE 4WD 6 = Lt. Duty DODGE 4WD 2 = Med. Duty DODGE 2WD 7 = Med. Duty DODGE 4WD 4 = TRUCK	01 = CHASSIS FORWARD CONTROL W.B.1 02 = CAB CHASSIS WHEEL BASE 2 06 = CAB CHASSIS WHEEL BASE 6 11 = VAN WHEEL BASE 1 12 = VAN WHEEL BASE 2 51 = WAGON WHEEL BASE 1 52 = WAGON WHEEL BASE 2 14 = VAN WHEEL BASE 4 15 = VAN WHEEL BASE 5 54 = WAGON WHEEL BASE 4 55 = WAGON WHEEL BASE 5 56 = WAGON WHEEL BASE 6 16 = VAN WHEEL BASE 6	EX8 = 2.7L I5 Turbo Diesel Engine EX9 = 2.7L I5 Mercedes-Benz TD Engine	DGJ = 5-Speed Automatic MB Transmission DGZ = 4-Spd. Automatic MT643 Transmission

AR = use ase required - = Non illustrated part

**Under Seat - Relays & Fuses
Figure 8-505**



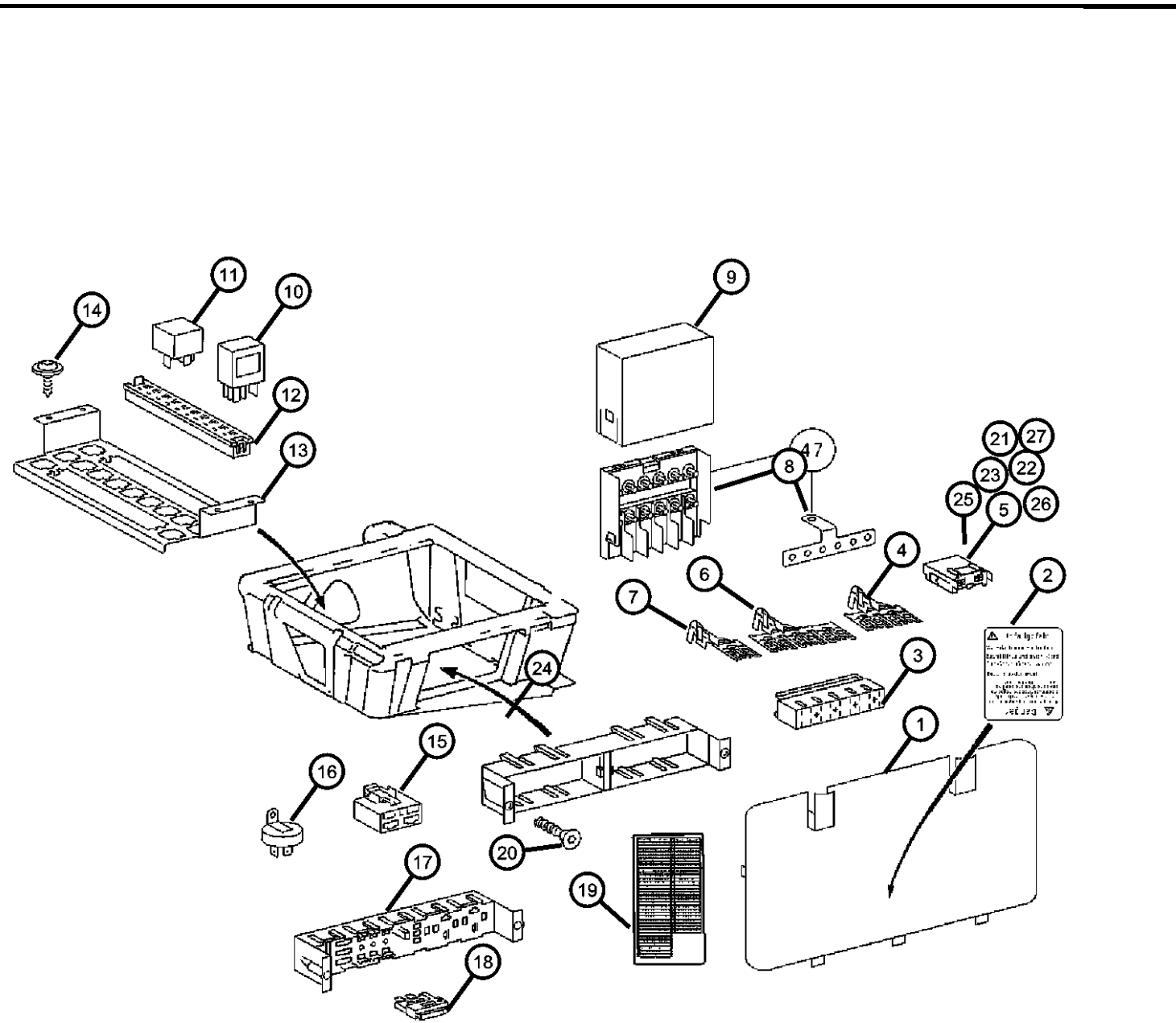
ITEM	PART NUMBER	QTY	LINE	SERIES	BODY	ENGINE	TRANS	TRIM	DESCRIPTION
	05133403AA	99	2, 6	L	51, 52, 54, 55, 56	EX8	DGZ		
		99	3, 7	L	02, 06	EX8	DGZ		
		99	3, 7	L	12, 15, 16	EX8	DGZ		
		99	2, 6	L	01, 02, 06	EX8	DGZ		
		99	2, 6	L	11, 12, 14, 15, 16	EX8	DGZ		
8									HOLDER, Fuse
	05103829AA	1	2, 6	L	01, 02, 06	EX8	DGZ		
		1	2, 6	L	11, 12, 14, 15, 16	EX8	DGZ		
		1	2, 6	L	51, 52, 54, 55, 56	EX8	DGZ		
		1	3, 7	L	02, 06	EX8	DGZ		
		1	3, 7	L	12, 15, 16	EX8	DGZ		
9									COVER, Fuse Access
	05103749AA	1	2, 6	L	51, 52, 54, 55, 56	EX8	DGZ		
		1	2, 6	L	01, 02, 06	EX8	DGZ		
		1	2, 6	L	11, 12, 14, 15, 16	EX8	DGZ		
		1	3, 7	L	02, 06	EX8	DGZ		
		1	3, 7	L	12, 15, 16	EX8	DGZ		
10									RELAY
	05103560AA	1	2, 6	L	11, 12, 14, 15, 16	EX8	DGZ		
		1	2, 6	L	01, 02, 06	EX8	DGZ		
		1	3, 7	L	12, 15, 16	EX8	DGZ		
		1	2, 6	L	51, 52, 54, 55, 56	EX8	DGZ		
		1	3, 7	L	02, 06	EX8	DGZ		
11									RELAY

SPRINTER (VA)

SERIES	LINE	BODY	ENGINE	TRANSMISSION
L = LOWLINE	3 = HD DODGE 2WD 8 = HD DODGE 4WD 6 = Lt. Duty DODGE 4WD 2 = Med. Duty DODGE 2WD 7 = Med. Duty DODGE 4WD 4 = TRUCK	01 = CHASSIS FORWARD CONTROL W.B.1 02 = CAB CHASSIS WHEEL BASE 2 06 = CAB CHASSIS WHEEL BASE 6 11 = VAN WHEEL BASE 1 12 = VAN WHEEL BASE 2 51 = WAGON WHEEL BASE 1 52 = WAGON WHEEL BASE 2 14 = VAN WHEEL BASE 4 15 = VAN WHEEL BASE 5 54 = WAGON WHEEL BASE 4 55 = WAGON WHEEL BASE 5 56 = WAGON WHEEL BASE 6 16 = VAN WHEEL BASE 6	EX8 = 2.7L I5 Turbo Diesel Engine EX9 = 2.7L I5 Mercedes-Benz TD Engine	DGJ = 5-Speed Automatic MB Transmission DGZ = 4-Spd. Automatic MT643 Transmission

AR = use ase required - = Non illustrated part

Under Seat - Relays & Fuses
Figure 8-505



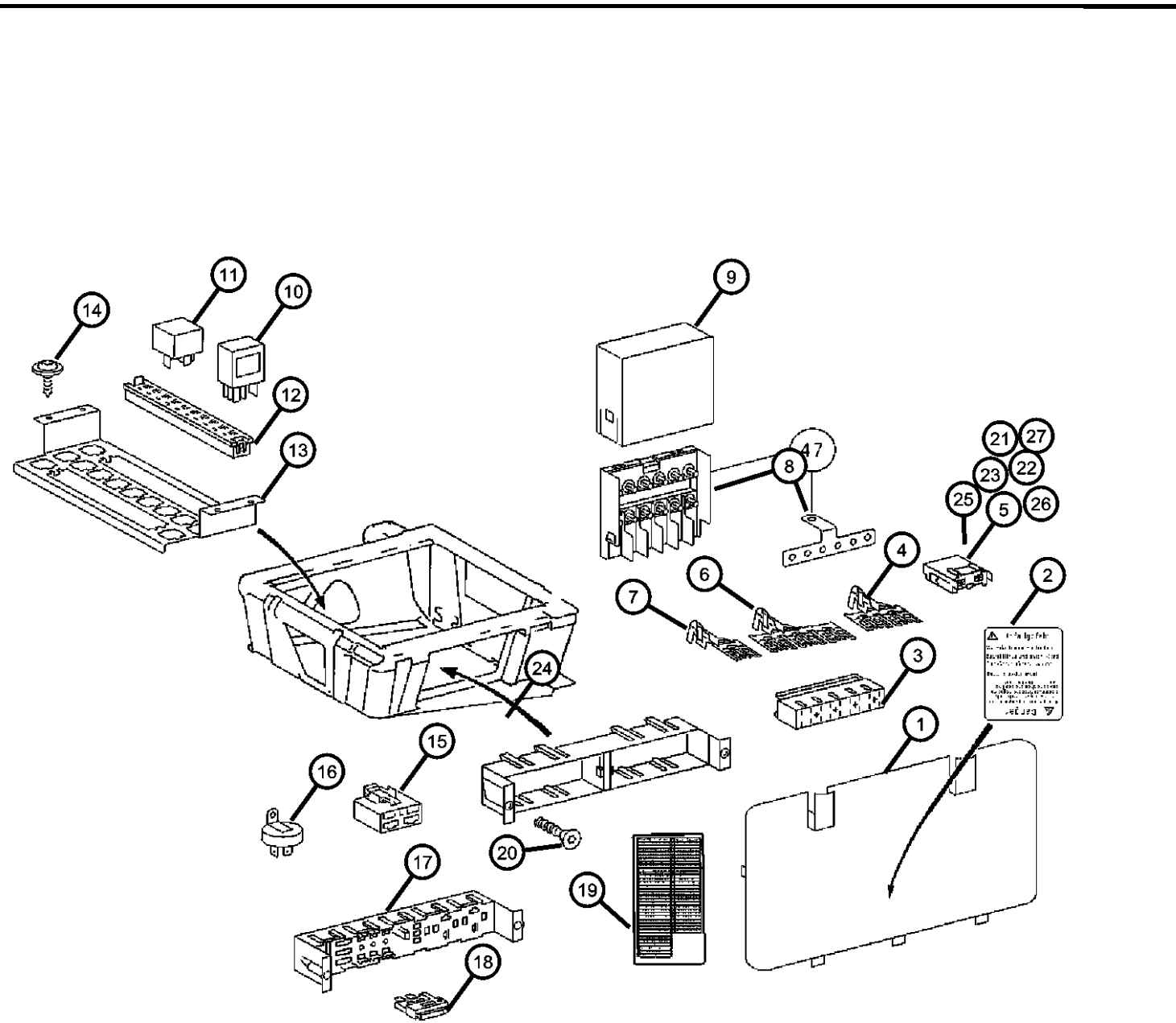
ITEM	PART NUMBER	QTY	LINE	SERIES	BODY	ENGINE	TRANS	TRIM	DESCRIPTION
	05103551AA	1	2, 6	L	01, 02, 06	EX8	DGZ		
		1	2, 6	L	11, 12, 14, 15, 16	EX8	DGZ		
		1	2, 6	L	51, 52, 54, 55, 56	EX8	DGZ		
		1	3, 7	L	02, 06	EX8	DGZ		
		1	3, 7	L	12, 15, 16	EX8	DGZ		
12									CONNECTOR
	05120374AA	1	2, 6	L	51, 52, 54, 55, 56	EX8	DGZ		
		1	3, 7	L	02, 06	EX8	DGZ		
		1	3, 7	L	12, 15, 16	EX8	DGZ		
		1	2, 6	L	01, 02, 06	EX8	DGZ		
		1	2, 6	L	11, 12, 14, 15, 16	EX8	DGZ		
13									BRACKET, Fuse Block
	05120840AA	1	2, 6	L	01, 02, 06	EX8	DGZ		
		1	2, 6	L	11, 12, 14, 15, 16	EX8	DGZ		
		1	2, 6	L	51, 52, 54, 55, 56	EX8	DGZ		
		1	3, 7	L	02, 06	EX8	DGZ		
		1	3, 7	L	12, 15, 16	EX8	DGZ		
14									SCREW, Tapping
	06104573AA	2	2, 6	L	11, 12, 14, 15, 16	EX8	DGZ		
		2	2, 6	L	01, 02, 06	EX8	DGZ		
		2	2, 6	L	51, 52, 54, 55, 56	EX8	DGZ		
		2	3, 7	L	12, 15, 16	EX8	DGZ		
		2	3, 7	L	02, 06	EX8	DGZ		
15									CONNECTOR

SPRINTER (VA)

SERIES	LINE	BODY	ENGINE	TRANSMISSION
L = LOWLINE	3 = HD DODGE 2WD 8 = HD DODGE 4WD 6 = Lt. Duty DODGE 4WD 2 = Med. Duty DODGE 2WD 7 = Med. Duty DODGE 4WD 4 = TRUCK	01 = CHASSIS FORWARD CONTROL W.B.1 02 = CAB CHASSIS WHEEL BASE 2 06 = CAB CHASSIS WHEEL BASE 6 11 = VAN WHEEL BASE 1 12 = VAN WHEEL BASE 2 51 = WAGON WHEEL BASE 1 52 = WAGON WHEEL BASE 2 14 = VAN WHEEL BASE 4 15 = VAN WHEEL BASE 5 54 = WAGON WHEEL BASE 4 55 = WAGON WHEEL BASE 5 56 = WAGON WHEEL BASE 6 16 = VAN WHEEL BASE 6	EX8 = 2.7L I5 Turbo Diesel Engine EX9 = 2.7L I5 Mercedes-Benz TD Engine	DGJ = 5-Speed Automatic MB Transmission DGZ = 4-Spd. Automatic MT643 Transmission

AR = use ase required - = Non illustrated part

Under Seat - Relays & Fuses
Figure 8-505



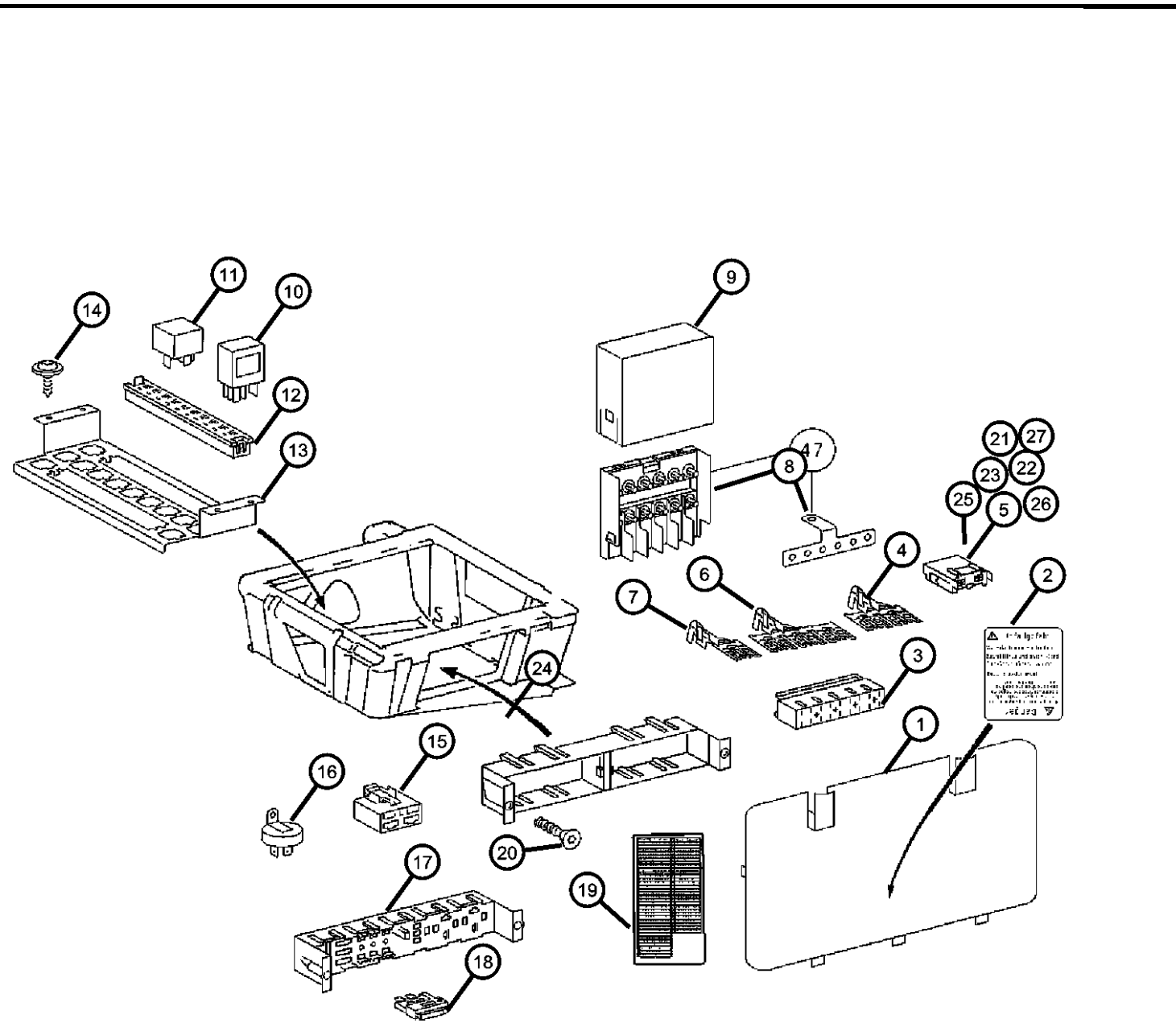
ITEM	PART NUMBER	QTY	LINE	SERIES	BODY	ENGINE	TRANS	TRIM	DESCRIPTION
	05120553AA	1	2, 6	L	51, 52, 54, 55, 56	EX8	DGZ		
		1	3, 7	L	02, 06	EX8	DGZ		
		1	3, 7	L	12, 15, 16	EX8	DGZ		
	05120554AA	1	2, 6	L	01, 02, 06	EX8	DGZ		
		1	2, 6	L	11, 12, 14, 15, 16	EX8	DGZ		
16									DIODE
	05120186AA	1	2, 6	L	51, 52, 54, 55, 56	EX8	DGZ		
		1	3, 7	L	02, 06	EX8	DGZ		
		1	3, 7	L	12, 15, 16	EX8	DGZ		
		1	2, 6	L	01, 02, 06	EX8	DGZ		
		1	2, 6	L	11, 12, 14, 15, 16	EX8	DGZ		
17									BLOCK, Fuse
	05120849AA	1	2, 6	L	01, 02, 06	EX8	DGZ		
		1	2, 6	L	11, 12, 14, 15, 16	EX8	DGZ		
		1	2, 6	L	51, 52, 54, 55, 56	EX8	DGZ		
		1	3, 7	L	02, 06	EX8	DGZ		
		1	3, 7	L	12, 15, 16	EX8	DGZ		
18									DIODE
	05120963AA	1	2, 6	L	51, 52, 54, 55, 56	EX8	DGZ		
		1	3, 7	L	02, 06	EX8	DGZ		
		1	3, 7	L	12, 15, 16	EX8	DGZ		
		1	2, 6	L	01, 02, 06	EX8	DGZ		
		1	2, 6	L	11, 12, 14, 15, 16	EX8	DGZ		
19									LABEL

SPRINTER (VA)

SERIES	LINE	BODY	ENGINE	TRANSMISSION
L = LOWLINE	3 = HD DODGE 2WD 8 = HD DODGE 4WD 6 = Lt. Duty DODGE 4WD 2 = Med. Duty DODGE 2WD 7 = Med. Duty DODGE 4WD 4 = TRUCK	01 = CHASSIS FORWARD CONTROL W.B.1 02 = CAB CHASSIS WHEEL BASE 2 06 = CAB CHASSIS WHEEL BASE 6 11 = VAN WHEEL BASE 1 12 = VAN WHEEL BASE 2 51 = WAGON WHEEL BASE 1 52 = WAGON WHEEL BASE 2 14 = VAN WHEEL BASE 4 15 = VAN WHEEL BASE 5 54 = WAGON WHEEL BASE 4 55 = WAGON WHEEL BASE 5 56 = WAGON WHEEL BASE 6 16 = VAN WHEEL BASE 6	EX8 = 2.7L I5 Turbo Diesel Engine EX9 = 2.7L I5 Mercedes-Benz TD Engine	DGJ = 5-Speed Automatic MB Transmission DGZ = 4-Spd. Automatic MT643 Transmission

AR = use ase required - = Non illustrated part

Under Seat - Relays & Fuses
Figure 8-505



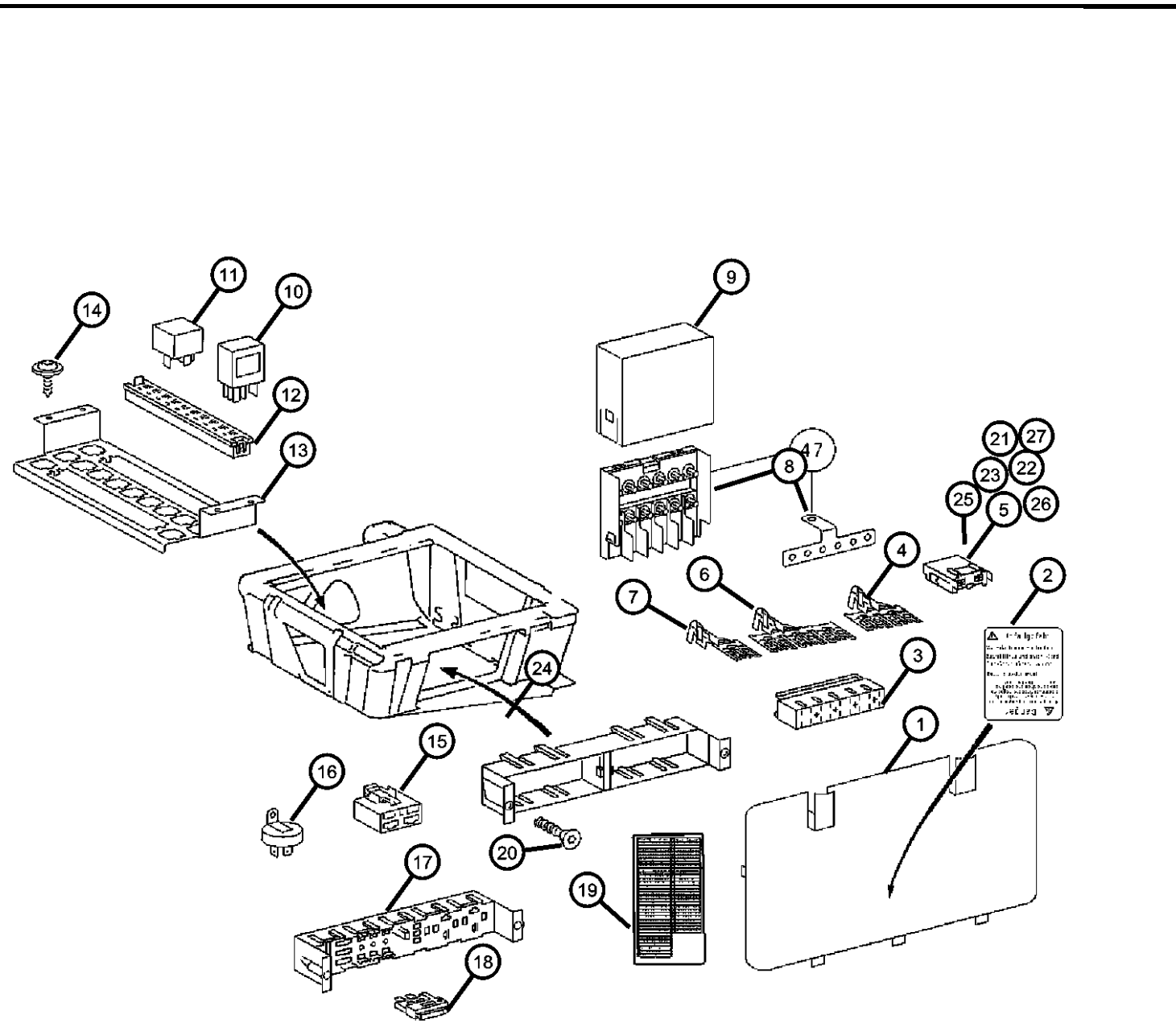
ITEM	PART NUMBER	QTY	LINE	SERIES	BODY	ENGINE	TRANS	TRIM	DESCRIPTION
	05121117AA	1	2, 6	L	01, 02, 06	EX8	DGZ		
		1	2, 6	L	11, 12, 14, 15, 16	EX8	DGZ		
		1	2, 6	L	51, 52, 54, 55, 56	EX8	DGZ		
		1	3, 7	L	02, 06	EX8	DGZ		
		1	3, 7	L	12, 15, 16	EX8	DGZ		
20									SCREW, Counter Sunk
	06104654AA	2	2, 6	L	01, 02, 06	EX8	DGZ		
		2	2, 6	L	11, 12, 14, 15, 16	EX8	DGZ		
		2	2, 6	L	51, 52, 54, 55, 56	EX8	DGZ		
		2	3, 7	L	02, 06	EX8	DGZ		
		2	3, 7	L	12, 15, 16	EX8	DGZ		
21									CONNECTOR
	05120507AA	1	2, 6	L	01, 02, 06	EX8	DGZ		
		1	2, 6	L	11, 12, 14, 15, 16	EX8	DGZ		
		1	2, 6	L	51, 52, 54, 55, 56	EX8	DGZ		
		1	3, 7	L	02, 06	EX8	DGZ		
		1	3, 7	L	12, 15, 16	EX8	DGZ		
22									FUSE
	05104596AA	99	2, 6	L	01, 02, 06	EX8	DGZ		200 AMP
		99	2, 6	L	11, 12, 14, 15, 16	EX8	DGZ		200 AMP
		99	2, 6	L	51, 52, 54, 55, 56	EX8	DGZ		200 AMP
		99	3, 7	L	02, 06	EX8	DGZ		200 AMP
		99	3, 7	L	12, 15, 16	EX8	DGZ		200 AMP
23									FUSE

SPRINTER (VA)

SERIES	LINE	BODY	ENGINE	TRANSMISSION
L = LOWLINE	3 = HD DODGE 2WD 8 = HD DODGE 4WD 6 = Lt. Duty DODGE 4WD 2 = Med. Duty DODGE 2WD 7 = Med. Duty DODGE 4WD 4 = TRUCK	01 = CHASSIS FORWARD CONTROL W.B.1 02 = CAB CHASSIS WHEEL BASE 2 06 = CAB CHASSIS WHEEL BASE 6 11 = VAN WHEEL BASE 1 12 = VAN WHEEL BASE 2 51 = WAGON WHEEL BASE 1 52 = WAGON WHEEL BASE 2 14 = VAN WHEEL BASE 4 15 = VAN WHEEL BASE 5 54 = WAGON WHEEL BASE 4 55 = WAGON WHEEL BASE 5 56 = WAGON WHEEL BASE 6 16 = VAN WHEEL BASE 6	EX8 = 2.7L I5 Turbo Diesel Engine EX9 = 2.7L I5 Mercedes-Benz TD Engine	DGJ = 5-Speed Automatic MB Transmission DGZ = 4-Spd. Automatic MT643 Transmission

AR = use ase required - = Non illustrated part

Under Seat - Relays & Fuses
Figure 8-505



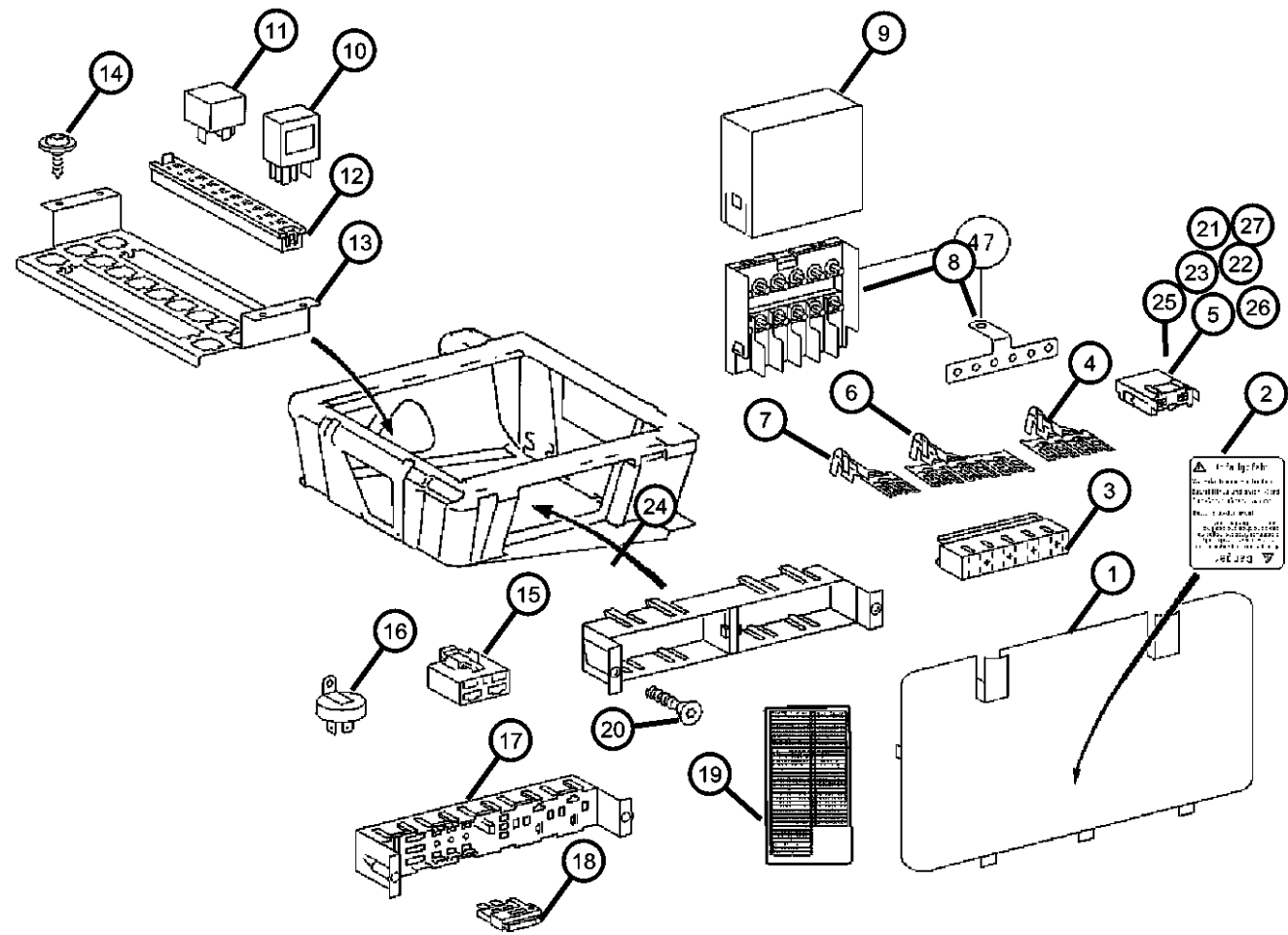
ITEM	PART NUMBER	QTY	LINE	SERIES	BODY	ENGINE	TRANS	TRIM	DESCRIPTION
	05104598AA	99	2, 6	L	01, 02, 06	EX8	DGZ		70 AMP in PDC
		99	2, 6	L	11, 12, 14, 15, 16	EX8	DGZ		70 AMP in PDC
		99	2, 6	L	51, 52, 54, 55, 56	EX8	DGZ		70 AMP in PDC
		99	3, 7	L	02, 06	EX8	DGZ		70 AMP in PDC
		99	3, 7	L	12, 15, 16	EX8	DGZ		70 AMP in PDC
24									FUSE, Maxi, 60 AMP, Blue
	05126094AA	1	2, 6	L	51, 52, 54, 55, 56	EX8	DGZ		
		1	3, 7	L	02, 06	EX8	DGZ		
		1	3, 7	L	12, 15, 16	EX8	DGZ		
		1	2, 6	L	01, 02, 06	EX8	DGZ		
		1	2, 6	L	11, 12, 14, 15, 16	EX8	DGZ		
25									FUSE, Standard, 30 AMP, Green
	05133472AA	99	2, 6	L	01, 02, 06	EX8	DGZ		
		99	2, 6	L	11, 12, 14, 15, 16	EX8	DGZ		
		99	2, 6	L	51, 52, 54, 55, 56	EX8	DGZ		
		99	3, 7	L	02, 06	EX8	DGZ		
		99	3, 7	L	12, 15, 16	EX8	DGZ		
26									FUSE, Maxi, 50 AMP, Red
	05133473AA	99	2, 6	L	01, 02, 06	EX8	DGZ		
		99	2, 6	L	11, 12, 14, 15, 16	EX8	DGZ		
		99	2, 6	L	51, 52, 54, 55, 56	EX8	DGZ		
		99	3, 7	L	02, 06	EX8	DGZ		
		99	3, 7	L	12, 15, 16	EX8	DGZ		
27									FUSE

SPRINTER (VA)

SERIES	LINE	BODY	ENGINE	TRANSMISSION
L = LOWLINE	3 = HD DODGE 2WD 8 = HD DODGE 4WD 6 = Lt. Duty DODGE 4WD 2 = Med. Duty DODGE 2WD 7 = Med. Duty DODGE 4WD 4 = TRUCK	01 = CHASSIS FORWARD CONTROL W.B.1 02 = CAB CHASSIS WHEEL BASE 2 06 = CAB CHASSIS WHEEL BASE 6 11 = VAN WHEEL BASE 1 12 = VAN WHEEL BASE 2 51 = WAGON WHEEL BASE 1 52 = WAGON WHEEL BASE 2 14 = VAN WHEEL BASE 4 15 = VAN WHEEL BASE 5 54 = WAGON WHEEL BASE 4 55 = WAGON WHEEL BASE 5 56 = WAGON WHEEL BASE 6 16 = VAN WHEEL BASE 6	EX8 = 2.7L I5 Turbo Diesel Engine EX9 = 2.7L I5 Mercedes-Benz TD Engine	DGJ = 5-Speed Automatic MB Transmission DGZ = 4-Spd. Automatic MT643 Transmission

AR = use ase required - = Non illustrated part

**Under Seat - Relays & Fuses
Figure 8-505**



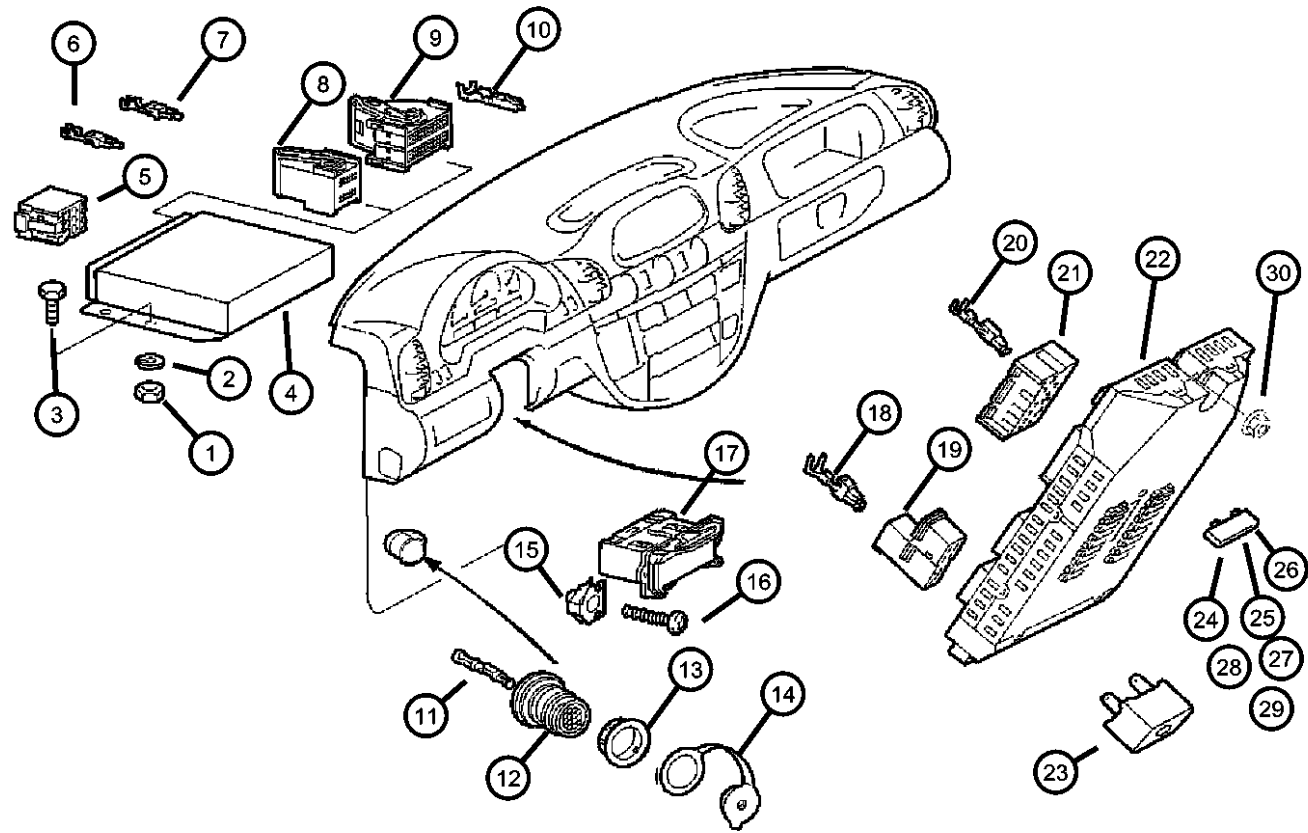
ITEM	PART NUMBER	QTY	LINE	SERIES	BODY	ENGINE	TRANS	TRIM	DESCRIPTION
	05138904AA	3	2, 6	L	51, 52, 54, 55, 56	EX8	DGZ		
		3	3, 7	L	12, 15, 16	EX8	DGZ		
		3	2, 6	L	11, 12, 14, 15, 16	EX8	DGZ		
-28									BRACKET, Fuse Block
	05120844AA	1	2, 6	L	51, 52, 54, 55, 56	EX8	DGZ		
		1	3, 7	L	02, 06	EX8	DGZ		
		1	3, 7	L	12, 15, 16	EX8	DGZ		
		1	2, 6	L	01, 02, 06	EX8	DGZ		
		1	2, 6	L	11, 12, 14, 15, 16	EX8	DGZ		
-29									FUSE
	05104599AA	99	2, 6	L	01, 02, 06	EX8	DGZ		100 AMP
		99	2, 6	L	11, 12, 14, 15, 16	EX8	DGZ		100 AMP
		99	2, 6	L	51, 52, 54, 55, 56	EX8	DGZ		100 AMP
		99	3, 7	L	02, 06	EX8	DGZ		100 AMP
		99	3, 7	L	12, 15, 16	EX8	DGZ		100 AMP

SPRINTER (VA)

SERIES	LINE	BODY	ENGINE	TRANSMISSION
L = LOWLINE	3 = HD DODGE 2WD 8 = HD DODGE 4WD 6 = Lt. Duty DODGE 4WD 2 = Med. Duty DODGE 2WD 7 = Med. Duty DODGE 4WD 4 = TRUCK	01 = CHASSIS FORWARD CONTROL W.B.1 02 = CAB CHASSIS WHEEL BASE 2 06 = CAB CHASSIS WHEEL BASE 6 11 = VAN WHEEL BASE 1 12 = VAN WHEEL BASE 2 51 = WAGON WHEEL BASE 1 52 = WAGON WHEEL BASE 2 14 = VAN WHEEL BASE 4 15 = VAN WHEEL BASE 5 54 = WAGON WHEEL BASE 4 55 = WAGON WHEEL BASE 5 56 = WAGON WHEEL BASE 6 16 = VAN WHEEL BASE 6	EX8 = 2.7L I5 Turbo Diesel Engine EX9 = 2.7L I5 Mercedes-Benz TD Engine	DGJ = 5-Speed Automatic MB Transmission DGZ = 4-Spd. Automatic MT643 Transmission

AR = use ase required - = Non illustrated part

Instrument Panel - Relays & Fuses
Figure 8-510



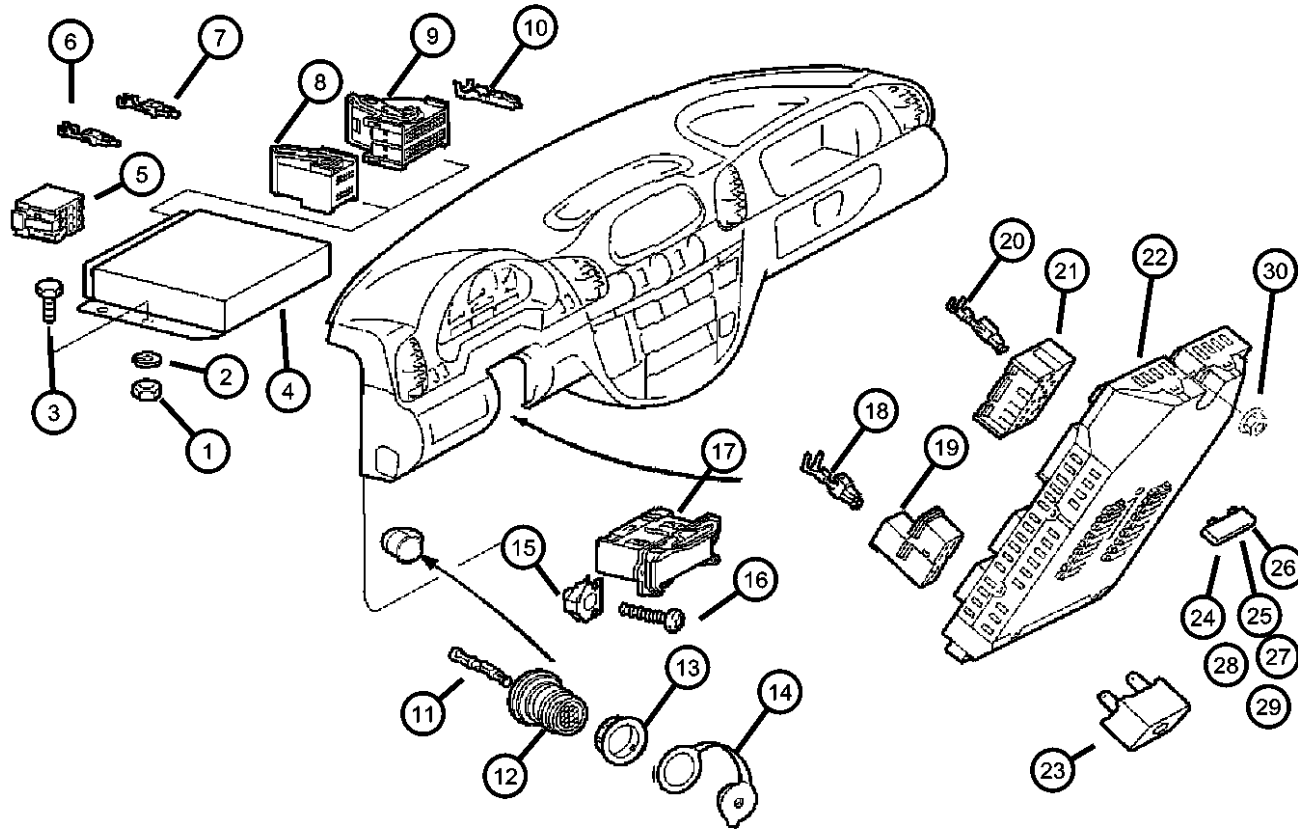
ITEM	PART NUMBER	QTY	LINE	SERIES	BODY	ENGINE	TRANS	TRIM	DESCRIPTION
1	05126198AA	9	2, 6	L	11, 12, 14, 15, 16	EX8	DGZ		BOLT, M6x20
		4	2, 6	L	01, 02, 06	EX8	DGZ		
		4	2, 6	L	51, 52, 54, 55, 56	EX8	DGZ		
		4	3, 7	L	02, 06	EX8	DGZ		
		4	3, 7	L	12, 15, 16	EX8	DGZ		
		4	3, 7	L	12, 15, 16	EX8	DGZ		
2		4							NUT, Hex, (NOT SERVICED)
3	05126240AA	1	2, 6	L	01, 02, 06	EX8	DGZ		LOCK WASHER
		1	2, 6	L	11, 12, 14, 15, 16	EX8	DGZ		
		1	2, 6	L	51, 52, 54, 55, 56	EX8	DGZ		
		4	3, 7	L	02, 06	EX8	DGZ		
		4	3, 7	L	12, 15, 16	EX8	DGZ		
		4	3, 7	L	12, 15, 16	EX8	DGZ		
4	05166760AA	1	3, 7	L	12, 15, 16	EX8	DGZ		MODULE, Powertrain Control
		1	2, 6	L	01, 02, 06	EX8	DGZ		
		1	2, 6	L	11, 12, 14, 15, 16	EX8	DGZ		
		1	2, 6	L	51, 52, 54, 55, 56	EX8	DGZ		
		1	3, 7	L	02, 06	EX8	DGZ		
		1	3, 7	L	12, 15, 16	EX8	DGZ		
5	05120752AA	1	2, 6	L	01, 02, 06	EX8	DGZ		CONNECTOR
		1	2, 6	L	11, 12, 14, 15, 16	EX8	DGZ		
		1	2, 6	L	51, 52, 54, 55, 56	EX8	DGZ		
		1	2, 6	L	02, 06	EX8	DGZ		
		1	3, 7	L	02, 06	EX8	DGZ		

SPRINTER (VA)

SERIES	LINE	BODY	ENGINE	TRANSMISSION
L = LOWLINE	3 = HD DODGE 2WD 8 = HD DODGE 4WD 6 = Lt. Duty DODGE 4WD 2 = Med. Duty DODGE 2WD 7 = Med. Duty DODGE 4WD 4 = TRUCK	01 = CHASSIS FORWARD CONTROL W.B.1 02 = CAB CHASSIS WHEEL BASE 2 06 = CAB CHASSIS WHEEL BASE 6 11 = VAN WHEEL BASE 1 12 = VAN WHEEL BASE 2 51 = WAGON WHEEL BASE 1 52 = WAGON WHEEL BASE 2 14 = VAN WHEEL BASE 4 15 = VAN WHEEL BASE 5 54 = WAGON WHEEL BASE 4 55 = WAGON WHEEL BASE 5 56 = WAGON WHEEL BASE 6 16 = VAN WHEEL BASE 6	EX8 = 2.7L I5 Turbo Diesel Engine EX9 = 2.7L I5 Mercedes-Benz TD Engine	DGJ = 5-Speed Automatic MB Transmission DGZ = 4-Spd. Automatic MT643 Transmission

AR = use ase required - = Non illustrated part

Instrument Panel - Relays & Fuses
Figure 8-510



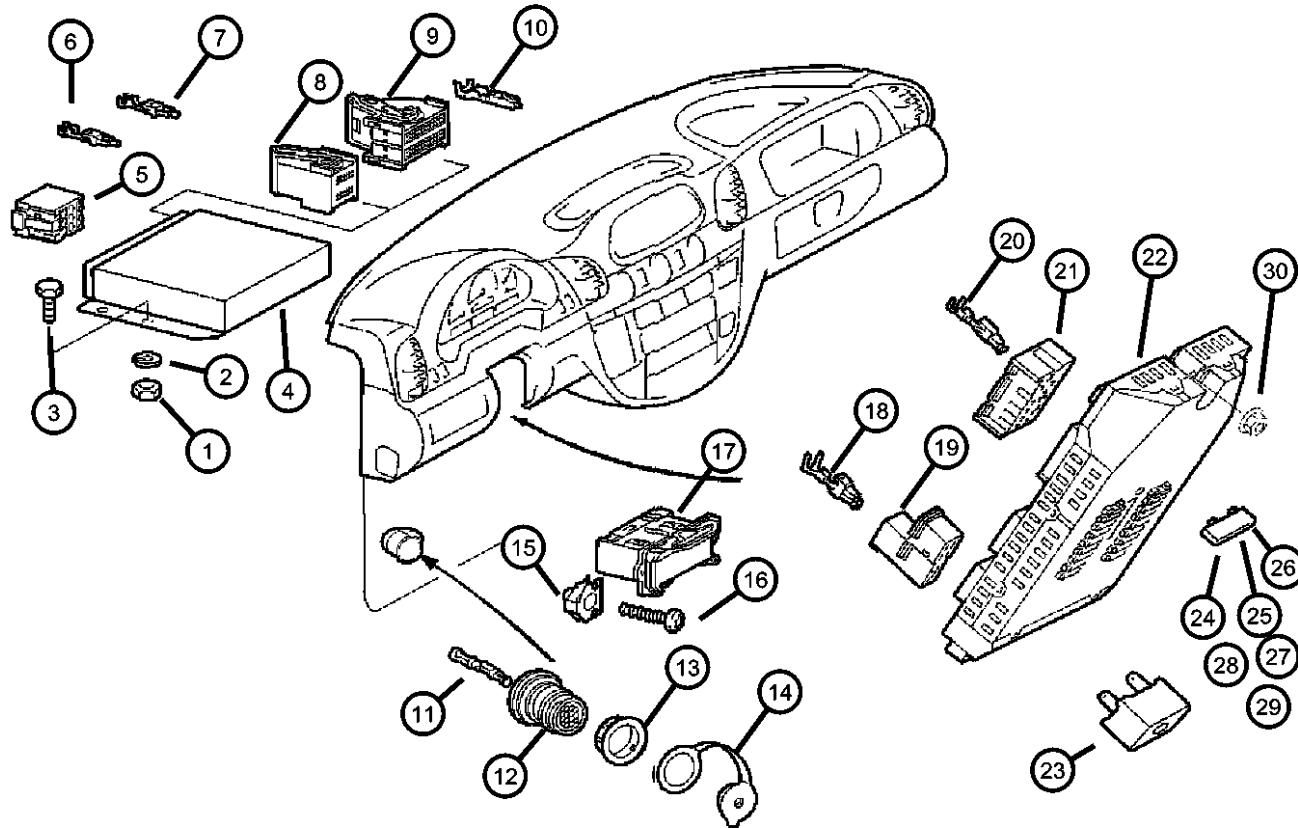
ITEM	PART NUMBER	QTY	LINE	SERIES	BODY	ENGINE	TRANS	TRIM	DESCRIPTION
6	05133372AA	1	3, 7	L	12, 15, 16	EX8	DGZ		TERMINAL
		1	2, 6	L	01, 02, 06	EX8	DGZ		
		1	2, 6	L	11, 12, 14, 15, 16	EX8	DGZ		
		1	2, 6	L	51, 52, 54, 55, 56	EX8	DGZ		
		1	3, 7	L	02, 06	EX8	DGZ		
7	05103882AA	1	3, 7	L	12, 15, 16	EX8	DGZ		TERMINAL
		1	2, 6	L	01, 02, 06	EX8	DGZ		
		1	2, 6	L	11, 12, 14, 15, 16	EX8	DGZ		
		1	2, 6	L	51, 52, 54, 55, 56	EX8	DGZ		
		1	3, 7	L	02, 06	EX8	DGZ		
8	05120753AA	1	3, 7	L	12, 15, 16	EX8	DGZ		CONNECTOR
		1	2, 6	L	11, 12, 14, 15, 16	EX8	DGZ		
		1	2, 6	L	51, 52, 54, 55, 56	EX8	DGZ		
		1	2, 6	L	01, 02, 06	EX8	DGZ		
		1	3, 7	L	02, 06	EX8	DGZ		
9	05120754AA	1	3, 7	L	12, 15, 16	EX8	DGZ		CONNECTOR
		1	2, 6	L	01, 02, 06	EX8	DGZ		
		1	2, 6	L	11, 12, 14, 15, 16	EX8	DGZ		
		1	2, 6	L	51, 52, 54, 55, 56	EX8	DGZ		
		1	3, 7	L	02, 06	EX8	DGZ		

SPRINTER (VA)

SERIES	LINE	BODY	ENGINE	TRANSMISSION
L = LOWLINE	3 = HD DODGE 2WD 8 = HD DODGE 4WD 6 = Lt. Duty DODGE 4WD 2 = Med. Duty DODGE 2WD 7 = Med. Duty DODGE 4WD 4 = TRUCK	01 = CHASSIS FORWARD CONTROL W.B.1 02 = CAB CHASSIS WHEEL BASE 2 06 = CAB CHASSIS WHEEL BASE 6 11 = VAN WHEEL BASE 1 12 = VAN WHEEL BASE 2 51 = WAGON WHEEL BASE 1 52 = WAGON WHEEL BASE 2 14 = VAN WHEEL BASE 4 15 = VAN WHEEL BASE 5 54 = WAGON WHEEL BASE 4 55 = WAGON WHEEL BASE 5 56 = WAGON WHEEL BASE 6 16 = VAN WHEEL BASE 6	EX8 = 2.7L I5 Turbo Diesel Engine EX9 = 2.7L I5 Mercedes-Benz TD Engine	DGJ = 5-Speed Automatic MB Transmission DGZ = 4-Spd. Automatic MT643 Transmission

AR = use ase required - = Non illustrated part

Instrument Panel - Relays & Fuses
Figure 8-510



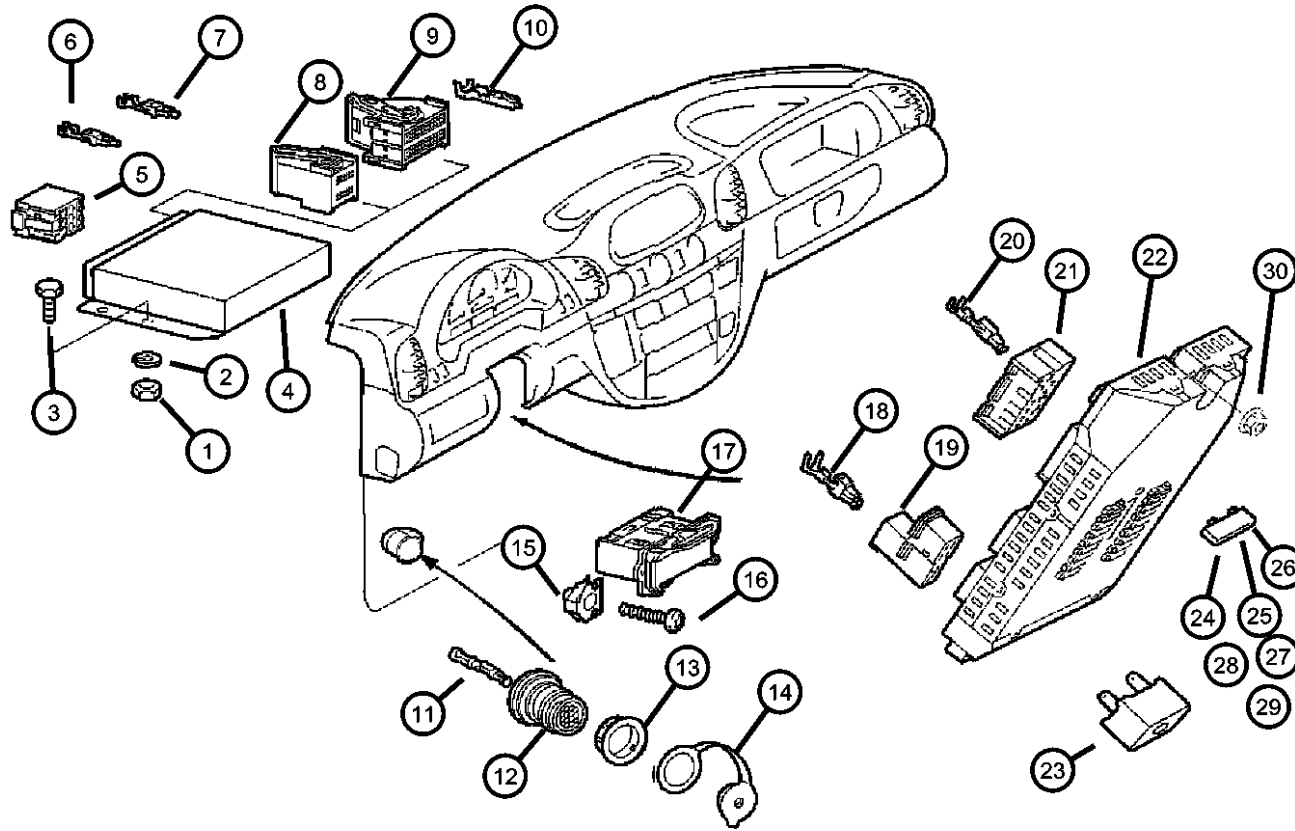
ITEM	PART NUMBER	QTY	LINE	SERIES	BODY	ENGINE	TRANS	TRIM	DESCRIPTION
10	05103874AA	1	3, 7	L	12, 15, 16	EX8	DGZ		TERMINAL
		99	3, 7	L	12, 15, 16	EX8	DGZ		
		99	2, 6	L	01, 02, 06	EX8	DGZ		
		99	2, 6	L	11, 12, 14, 15, 16	EX8	DGZ		
		99	2, 6	L	51, 52, 54, 55, 56	EX8	DGZ		
11	05133383AB	1	2, 6	L	01, 02, 06				TERMINAL
		1	2, 6	L	11, 12, 14, 15, 16				
		1	2, 6	L	51, 52, 54, 55, 56				
		1	3, 7	L	12, 15, 16				
12	05120544AA	1	2, 6	L	01, 02, 06	EX8	DGZ		CONNECTOR
		1	2, 6	L	11, 12, 14, 15, 16	EX8	DGZ		
		1	2, 6	L	51, 52, 54, 55, 56	EX8	DGZ		
		1	3, 7	L	02, 06	EX8	DGZ		
		1	3, 7	L	12, 15, 16	EX8	DGZ		
		1	3, 7	L	12, 15, 16	EX8	DGZ		
13	05120226AA	1	2, 6	L	01, 02, 06	EX8	DGZ		STRAP, Ground
		1	2, 6	L	11, 12, 14, 15, 16	EX8	DGZ		
		1	2, 6	L	51, 52, 54, 55, 56	EX8	DGZ		
		1	3, 7	L	02, 06	EX8	DGZ		
		1	3, 7	L	12, 15, 16	EX8	DGZ		
		1	3, 7	L	12, 15, 16	EX8	DGZ		

SPRINTER (VA)

SERIES	LINE	BODY	ENGINE	TRANSMISSION
L = LOWLINE	3 = HD DODGE 2WD 8 = HD DODGE 4WD 6 = Lt. Duty DODGE 4WD 2 = Med. Duty DODGE 2WD 7 = Med. Duty DODGE 4WD 4 = TRUCK	01 = CHASSIS FORWARD CONTROL W.B.1 02 = CAB CHASSIS WHEEL BASE 2 06 = CAB CHASSIS WHEEL BASE 6 11 = VAN WHEEL BASE 1 12 = VAN WHEEL BASE 2 51 = WAGON WHEEL BASE 1 52 = WAGON WHEEL BASE 2 14 = VAN WHEEL BASE 4 15 = VAN WHEEL BASE 5 54 = WAGON WHEEL BASE 4 55 = WAGON WHEEL BASE 5 56 = WAGON WHEEL BASE 6 16 = VAN WHEEL BASE 6	EX8 = 2.7L I5 Turbo Diesel Engine EX9 = 2.7L I5 Mercedes-Benz TD Engine	DGJ = 5-Speed Automatic MB Transmission DGZ = 4-Spd. Automatic MT643 Transmission

AR = use ase required - = Non illustrated part

Instrument Panel - Relays & Fuses
Figure 8-510



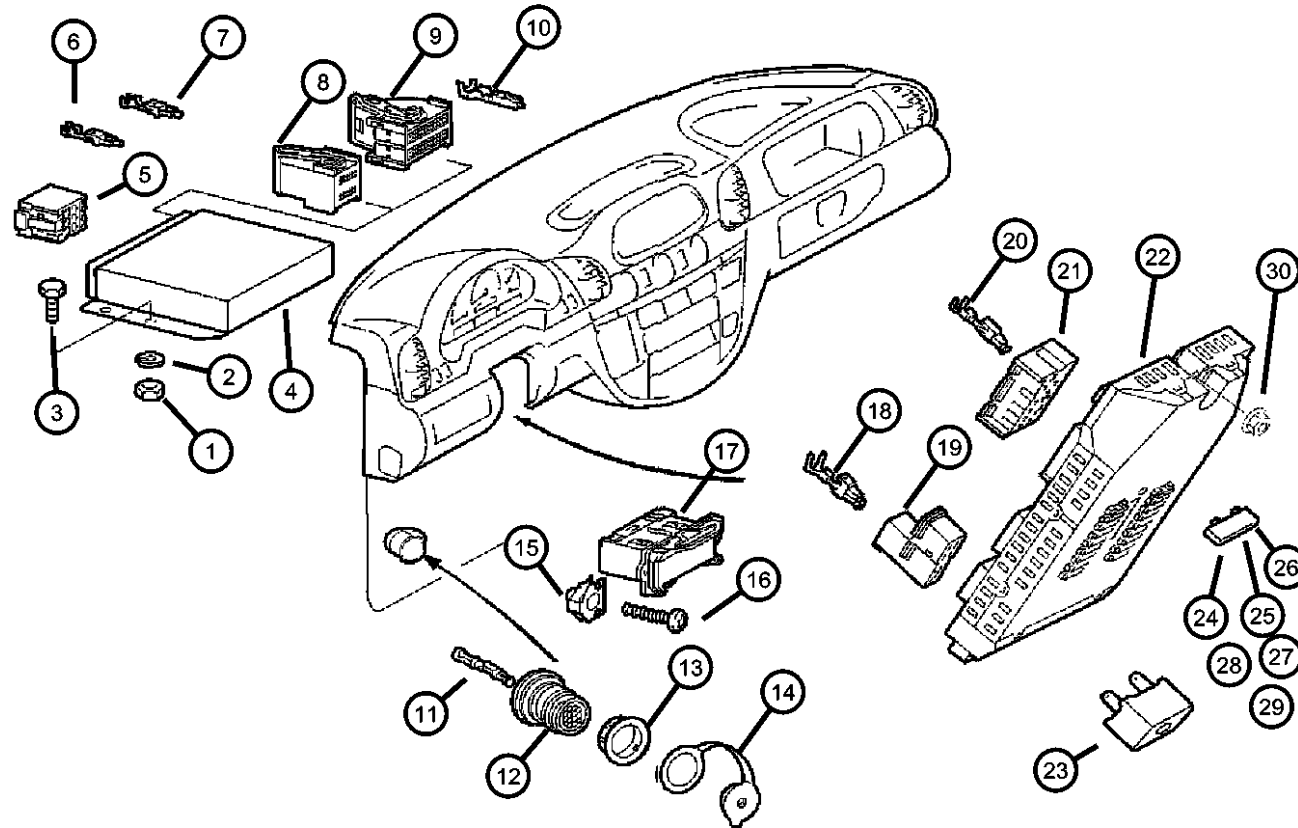
ITEM	PART NUMBER	QTY	LINE	SERIES	BODY	ENGINE	TRANS	TRIM	DESCRIPTION
14									PLUG, Wiring
	05103747AA	1	2, 6	L	01, 02, 06				
		1	2, 6	L	11, 12, 14, 15, 16				
		1	2, 6	L	51, 52, 54, 55, 56				
		1	3, 7	L	02, 06				
		1	3, 7	L	12, 15, 16				
15									NUT, Spring
	05125861AA	2	2, 6	L	01, 02, 06	EX8	DGZ		
		2	2, 6	L	11, 12, 14, 15, 16	EX8	DGZ		
		2	2, 6	L	51, 52, 54, 55, 56	EX8	DGZ		
		2	3, 7	L	12, 15, 16	EX8	DGZ		
		1	3, 7	L	02, 06	EX8	DGZ		
16									SCREW
	06104496AA	2	2, 6	L	01, 02, 06	EX8	DGZ		
		2	2, 6	L	11, 12, 14, 15, 16	EX8	DGZ		
		2	2, 6	L	51, 52, 54, 55, 56	EX8	DGZ		
		2	3, 7	L	02, 06	EX8	DGZ		
		2	3, 7	L	12, 15, 16	EX8	DGZ		
17									BRACKET, Diagnostic Module
	05098297AA	1	2, 6	L	01, 02, 06	EX8	DGZ		
		1	2, 6	L	11, 12, 14, 15, 16	EX8	DGZ		
		1	2, 6	L	51, 52, 54, 55, 56	EX8	DGZ		
		1	3, 7	L	02, 06	EX8	DGZ		
		1	3, 7	L	12, 15, 16	EX8	DGZ		

SPRINTER (VA)

SERIES	LINE	BODY	ENGINE	TRANSMISSION
L = LOWLINE	3 = HD DODGE 2WD 8 = HD DODGE 4WD 6 = Lt. Duty DODGE 4WD 2 = Med. Duty DODGE 2WD 7 = Med. Duty DODGE 4WD 4 = TRUCK	01 = CHASSIS FORWARD CONTROL W.B.1 02 = CAB CHASSIS WHEEL BASE 2 06 = CAB CHASSIS WHEEL BASE 6 11 = VAN WHEEL BASE 1 12 = VAN WHEEL BASE 2 51 = WAGON WHEEL BASE 1 52 = WAGON WHEEL BASE 2 14 = VAN WHEEL BASE 4 15 = VAN WHEEL BASE 5 54 = WAGON WHEEL BASE 4 55 = WAGON WHEEL BASE 5 56 = WAGON WHEEL BASE 6 16 = VAN WHEEL BASE 6	EX8 = 2.7L I5 Turbo Diesel Engine EX9 = 2.7L I5 Mercedes-Benz TD Engine	DGJ = 5-Speed Automatic MB Transmission DGZ = 4-Spd. Automatic MT643 Transmission

AR = use ase required - = Non illustrated part

Instrument Panel - Relays & Fuses
Figure 8-510



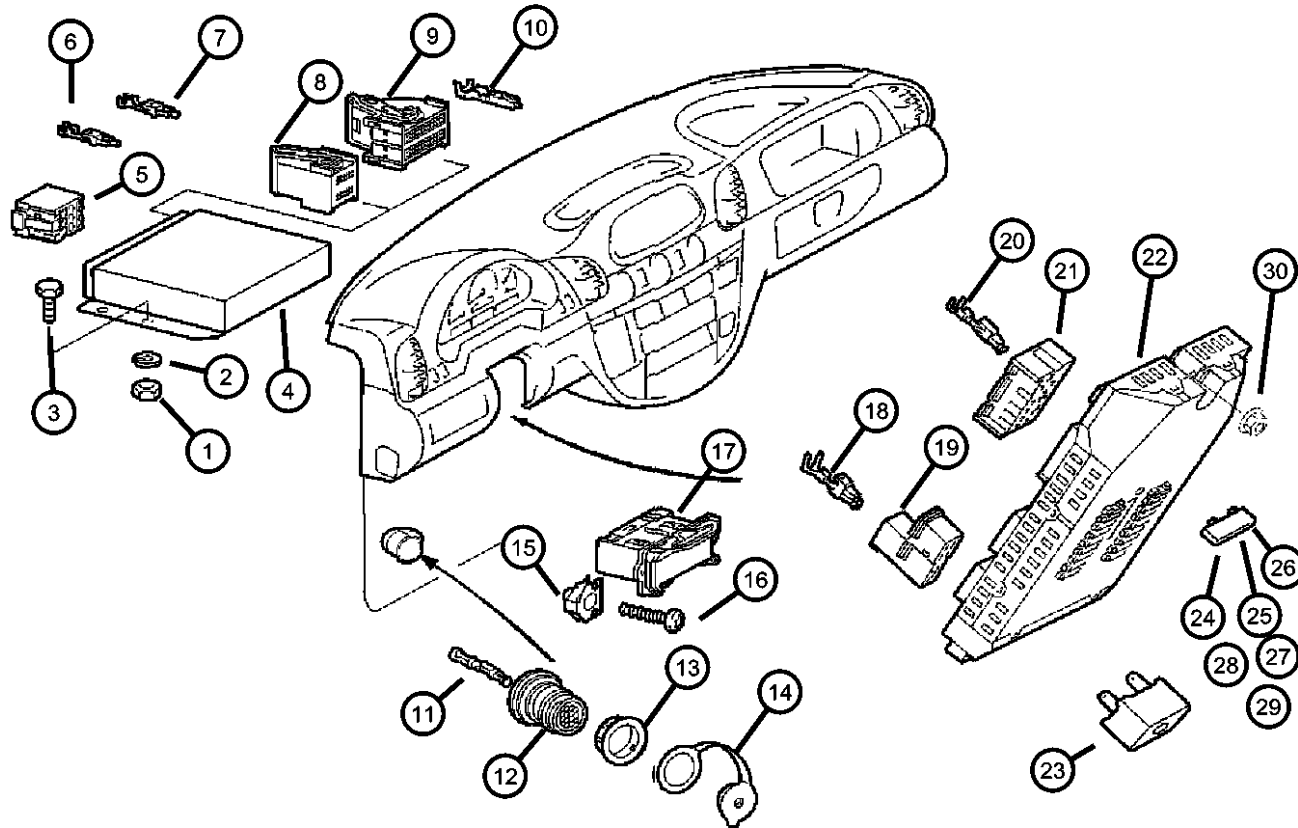
ITEM	PART NUMBER	QTY	LINE	SERIES	BODY	ENGINE	TRANS	TRIM	DESCRIPTION
18	05133372AA	1	2, 6	L	01, 02, 06	EX8	DGZ		TERMINAL
		1	2, 6	L	11, 12, 14, 15, 16	EX8	DGZ		
		1	3, 7	L	12, 15, 16	EX8	DGZ		
		99	3, 7	L	02, 06	EX8	DGZ		
		1	2, 6	L	51, 52, 54, 55, 56	EX8	DGZ		
19	05120555AA	1	2, 6	L	01, 02, 06	EX8	DGZ		CONNECTOR
		1	2, 6	L	11, 12, 14, 15, 16	EX8	DGZ		
		1	2, 6	L	51, 52, 54, 55, 56	EX8	DGZ		
		1	3, 7	L	02, 06	EX8	DGZ		
		1	3, 7	L	12, 15, 16	EX8	DGZ		
20	05103893AA	99	2, 6	L	01, 02, 06	EX8	DGZ		TERMINAL
		99	2, 6	L	11, 12, 14, 15, 16	EX8	DGZ		
		99	2, 6	L	51, 52, 54, 55, 56	EX8	DGZ		
		99	3, 7	L	02, 06	EX8	DGZ		
		99	3, 7	L	12, 15, 16	EX8	DGZ		
21	05120646AA	1	2, 6	L	11, 12, 14, 15, 16	EX8	DGZ		CONNECTOR
		1	2, 6	L	51, 52, 54, 55, 56	EX8	DGZ		
		1	3, 7	L	02, 06	EX8	DGZ		
		1	3, 7	L	12, 15, 16	EX8	DGZ		
		1	2, 6	L	01, 02, 06	EX8	DGZ		

SPRINTER (VA)

SERIES	LINE	BODY	ENGINE	TRANSMISSION
L = LOWLINE	3 = HD DODGE 2WD 8 = HD DODGE 4WD 6 = Lt. Duty DODGE 4WD 2 = Med. Duty DODGE 2WD 7 = Med. Duty DODGE 4WD 4 = TRUCK	01 = CHASSIS FORWARD CONTROL W.B.1 02 = CAB CHASSIS WHEEL BASE 2 06 = CAB CHASSIS WHEEL BASE 6 11 = VAN WHEEL BASE 1 12 = VAN WHEEL BASE 2 51 = WAGON WHEEL BASE 1 52 = WAGON WHEEL BASE 2 14 = VAN WHEEL BASE 4 15 = VAN WHEEL BASE 5 54 = WAGON WHEEL BASE 4 55 = WAGON WHEEL BASE 5 56 = WAGON WHEEL BASE 6 16 = VAN WHEEL BASE 6	EX8 = 2.7L I5 Turbo Diesel Engine EX9 = 2.7L I5 Mercedes-Benz TD Engine	DGJ = 5-Speed Automatic MB Transmission DGZ = 4-Spd. Automatic MT643 Transmission

AR = use ase required - = Non illustrated part

Instrument Panel - Relays & Fuses
Figure 8-510



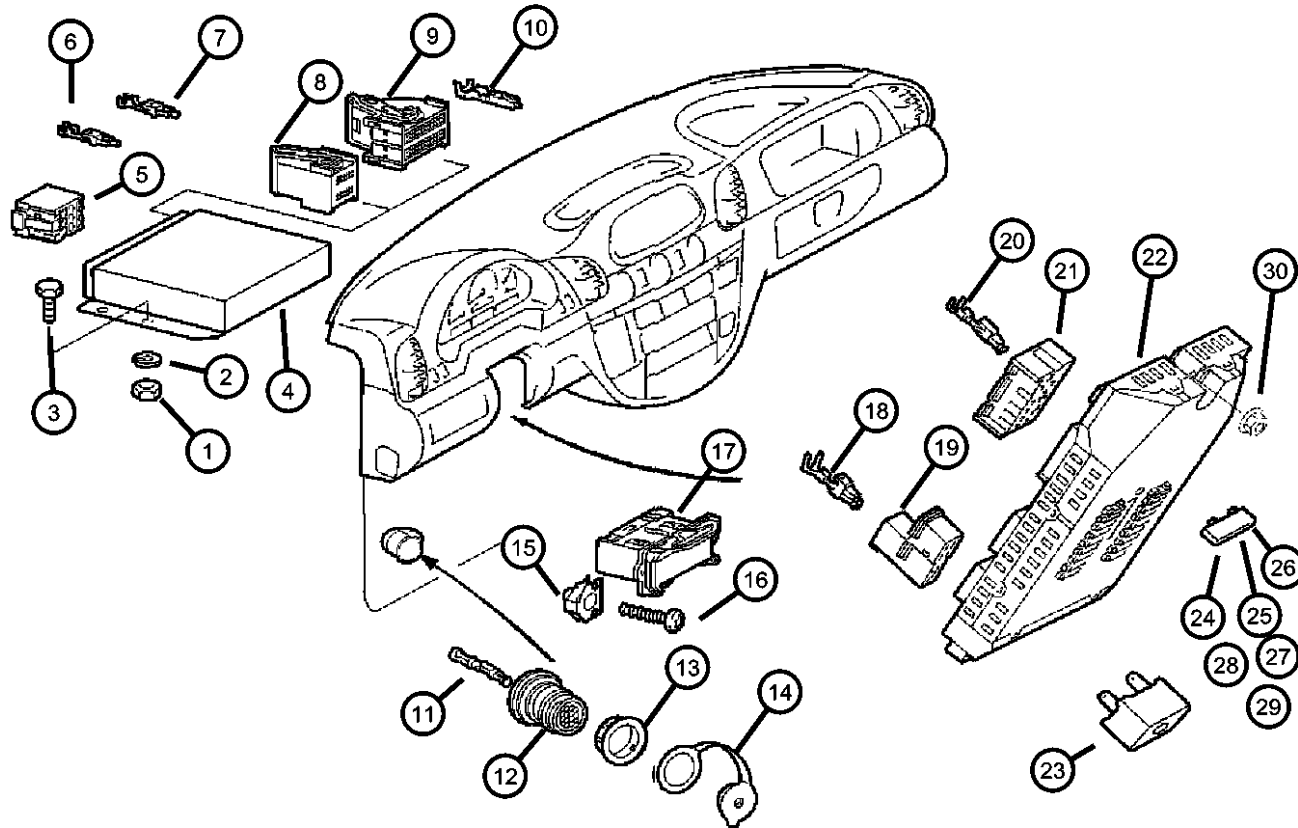
ITEM	PART NUMBER	QTY	LINE	SERIES	BODY	ENGINE	TRANS	TRIM	DESCRIPTION
22	05120244AA	1	2, 6	L	01, 02, 06	EX8	DGZ		BLOCK, Fuse
		1	2, 6	L	11, 12, 14, 15, 16	EX8	DGZ		
		1	2, 6	L	51, 52, 54, 55, 56	EX8	DGZ		
		1	3, 7	L	02, 06	EX8	DGZ		
		1	3, 7	L	12, 15, 16	EX8	DGZ		
23	05103746AA	1	2, 6	L	11, 12, 14, 15, 16				RELAY
		1	2, 6	L	51, 52, 54, 55, 56				
		1	3, 7	L	12, 15, 16				
24	05104643AA	99	2, 6	L	51, 52, 54, 55, 56	EX8	DGZ		FUSE, Standard, 10 AMP, Red
		99	3, 7	L	02, 06	EX8	DGZ		
		99	3, 7	L	12, 15, 16	EX8	DGZ		
		99	2, 6	L	01, 02, 06	EX8	DGZ		
		99	2, 6	L	11, 12, 14, 15, 16	EX8	DGZ		
25	05104604AA	1	2, 6	L	01, 02, 06	EX8	DGZ		FUSE 20 AMP
		1	2, 6	L	11, 12, 14, 15, 16	EX8	DGZ		20 AMP
		1	2, 6	L	51, 52, 54, 55, 56	EX8	DGZ		20 AMP
		1	3, 7	L	02, 06	EX8	DGZ		20 AMP
		1	3, 7	L	12, 15, 16	EX8	DGZ		20 AMP
26	05104605AA	1	2, 6	L	01, 02, 06	EX8	DGZ		FUSE 30 AMP

SPRINTER (VA)

SERIES	LINE	BODY	ENGINE	TRANSMISSION
L = LOWLINE	3 = HD DODGE 2WD 8 = HD DODGE 4WD 6 = Lt. Duty DODGE 4WD 2 = Med. Duty DODGE 2WD 7 = Med. Duty DODGE 4WD 4 = TRUCK	01 = CHASSIS FORWARD CONTROL W.B.1 02 = CAB CHASSIS WHEEL BASE 2 06 = CAB CHASSIS WHEEL BASE 6 11 = VAN WHEEL BASE 1 12 = VAN WHEEL BASE 2 51 = WAGON WHEEL BASE 1 52 = WAGON WHEEL BASE 2 14 = VAN WHEEL BASE 4 15 = VAN WHEEL BASE 5 54 = WAGON WHEEL BASE 4 55 = WAGON WHEEL BASE 5 56 = WAGON WHEEL BASE 6 16 = VAN WHEEL BASE 6	EX8 = 2.7L I5 Turbo Diesel Engine EX9 = 2.7L I5 Mercedes-Benz TD Engine	DGJ = 5-Speed Automatic MB Transmission DGZ = 4-Spd. Automatic MT643 Transmission

AR = use ase required - = Non illustrated part

Instrument Panel - Relays & Fuses
Figure 8-510



ITEM	PART NUMBER	QTY	LINE	SERIES	BODY	ENGINE	TRANS	TRIM	DESCRIPTION
		1	2, 6	L	11, 12, 14, 15, 16	EX8	DGZ		30 AMP
		1	2, 6	L	51, 52, 54, 55, 56	EX8	DGZ		30 AMP
	05104644AA	99	2, 6	L	11, 12, 14, 15, 16	EX8	DGZ		25 AMP
		99	2, 6	L	51, 52, 54, 55, 56	EX8	DGZ		25 AMP
		99	3, 7	L	02, 06	EX8	DGZ		25 AMP
		99	3, 7	L	12, 15, 16	EX8	DGZ		25 AMP
		1	3, 7	L	02, 06	EX8	DGZ		30 AMP
		1	3, 7	L	12, 15, 16	EX8	DGZ		30 AMP
		99	2, 6	L	01, 02, 06	EX8	DGZ		25 AMP
27									FUSE, Standard, 15 AMP, Light Blue
	05101467AA	99	2, 6	L	01, 02, 06	EX8	DGZ		
		99	2, 6	L	11, 12, 14, 15, 16	EX8	DGZ		
		99	2, 6	L	51, 52, 54, 55, 56	EX8	DGZ		
		99	3, 7	L	02, 06	EX8	DGZ		
		99	3, 7	L	12, 15, 16	EX8	DGZ		
28									FUSE, Blade Type, 7.5 AMP
	05103799AA	99	2, 6	L	51, 52, 54, 55, 56	EX8	DGZ		
		99	3, 7	L	02, 06	EX8	DGZ		
		99	3, 7	L	12, 15, 16	EX8	DGZ		
		99	2, 6	L	01, 02, 06	EX8	DGZ		
		99	2, 6	L	11, 12, 14, 15, 16	EX8	DGZ		
29									FUSE, Standard, 7.5 AMP, Brown
	05138903AA	1	2, 6	L	11, 12, 14, 15, 16	EX8	DGZ		

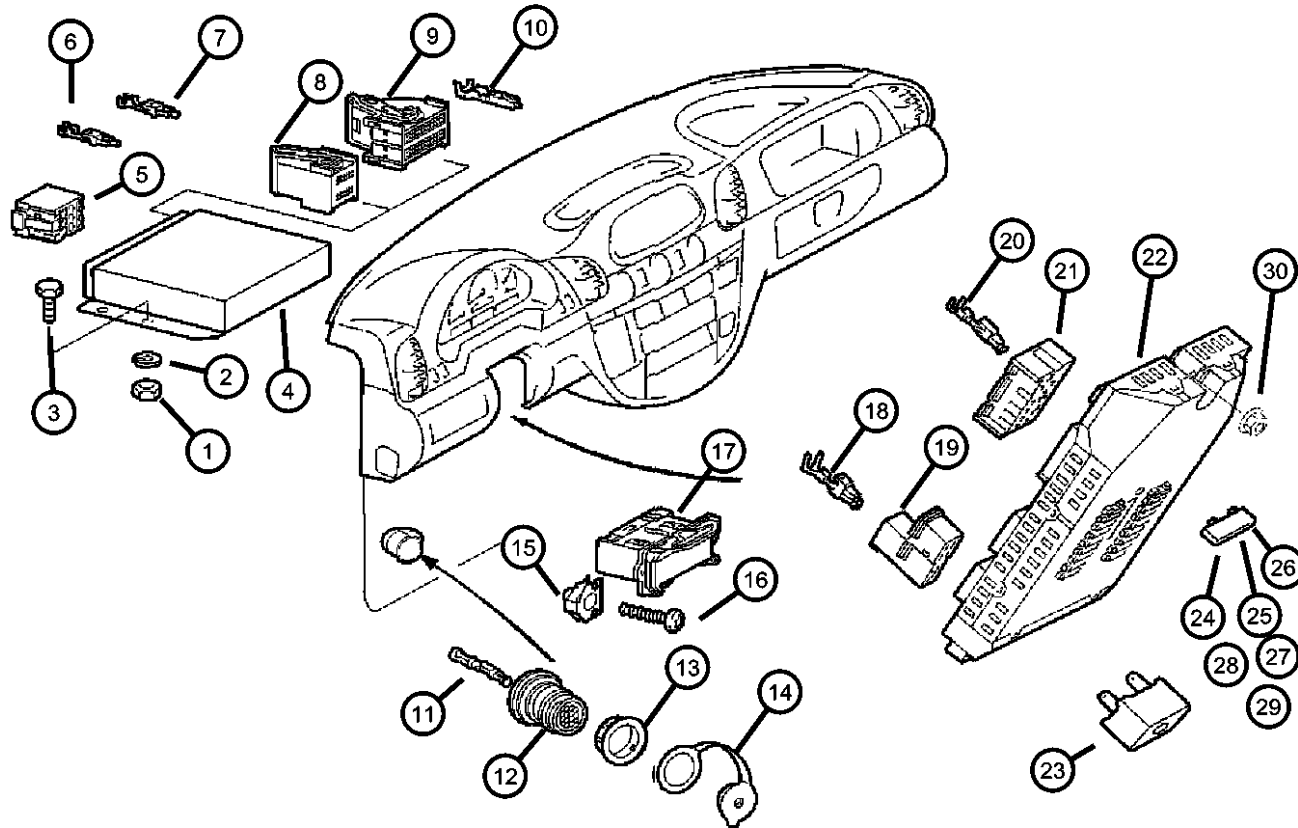
SPRINTER (VA)

SERIES	LINE	BODY	ENGINE	TRANSMISSION
L = LOWLINE	3 = HD DODGE 2WD 8 = HD DODGE 4WD 6 = Lt. Duty DODGE 4WD 2 = Med. Duty DODGE 2WD 7 = Med. Duty DODGE 4WD 4 = TRUCK	01 = CHASSIS FORWARD CONTROL W.B.1 02 = CAB CHASSIS WHEEL BASE 2 06 = CAB CHASSIS WHEEL BASE 6 11 = VAN WHEEL BASE 1 12 = VAN WHEEL BASE 2 51 = WAGON WHEEL BASE 1 52 = WAGON WHEEL BASE 2 14 = VAN WHEEL BASE 4 15 = VAN WHEEL BASE 5 54 = WAGON WHEEL BASE 4 55 = WAGON WHEEL BASE 5 56 = WAGON WHEEL BASE 6 16 = VAN WHEEL BASE 6	EX8 = 2.7L I5 Turbo Diesel Engine EX9 = 2.7L I5 Mercedes-Benz TD Engine	DGJ = 5-Speed Automatic MB Transmission DGZ = 4-Spd. Automatic MT643 Transmission

AR = use ase required - = Non illustrated part

Instrument Panel - Relays & Fuses
Figure 8-510

ITEM	PART NUMBER	QTY	LINE	SERIES	BODY	ENGINE	TRANS	TRIM	DESCRIPTION
		1	2, 6	L	51, 52, 54, 55, 56	EX8	DGZ		
		1	3, 7	L	12, 15, 16	EX8	DGZ		
30	05097674AA	4	2, 6	L	11, 12, 14, 15, 16	EX8	DGZ		NUT, Hex
		4	2, 6	L	51, 52, 54, 55, 56	EX8	DGZ		
		2	2, 6	L	01, 02, 06	EX8	DGZ		
		4	3, 7	L	12, 15, 16	EX8	DGZ		
		2	3, 7	L	02, 06	EX8	DGZ		



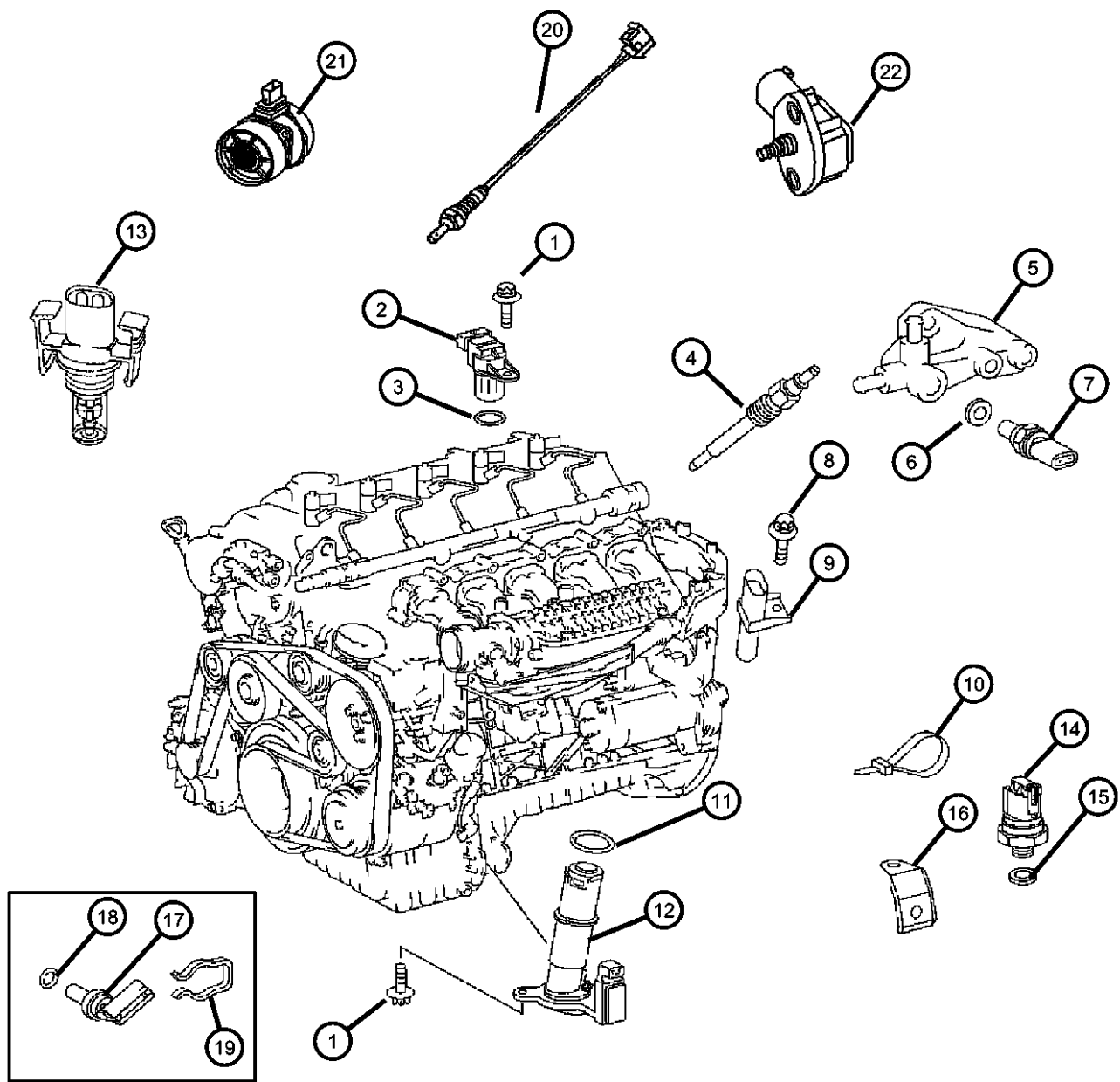
SPRINTER (VA)

SERIES	LINE	BODY	ENGINE	TRANSMISSION
L = LOWLINE	3 = HD DODGE 2WD 8 = HD DODGE 4WD 6 = Lt. Duty DODGE 4WD 2 = Med. Duty DODGE 2WD 7 = Med. Duty DODGE 4WD 4 = TRUCK	01 = CHASSIS FORWARD CONTROL W.B.1 02 = CAB CHASSIS WHEEL BASE 2 06 = CAB CHASSIS WHEEL BASE 6 11 = VAN WHEEL BASE 1 12 = VAN WHEEL BASE 2 51 = WAGON WHEEL BASE 1 52 = WAGON WHEEL BASE 2 14 = VAN WHEEL BASE 4 15 = VAN WHEEL BASE 5 54 = WAGON WHEEL BASE 4 55 = WAGON WHEEL BASE 5 56 = WAGON WHEEL BASE 6 16 = VAN WHEEL BASE 6	EX8 = 2.7L I5 Turbo Diesel Engine EX9 = 2.7L I5 Mercedes-Benz TD Engine	DGJ = 5-Speed Automatic MB Transmission DGZ = 4-Spd. Automatic MT643 Transmission

AR = use ase required - = Non illustrated part

2006 VA

Sensors Engine
Figure 8-605



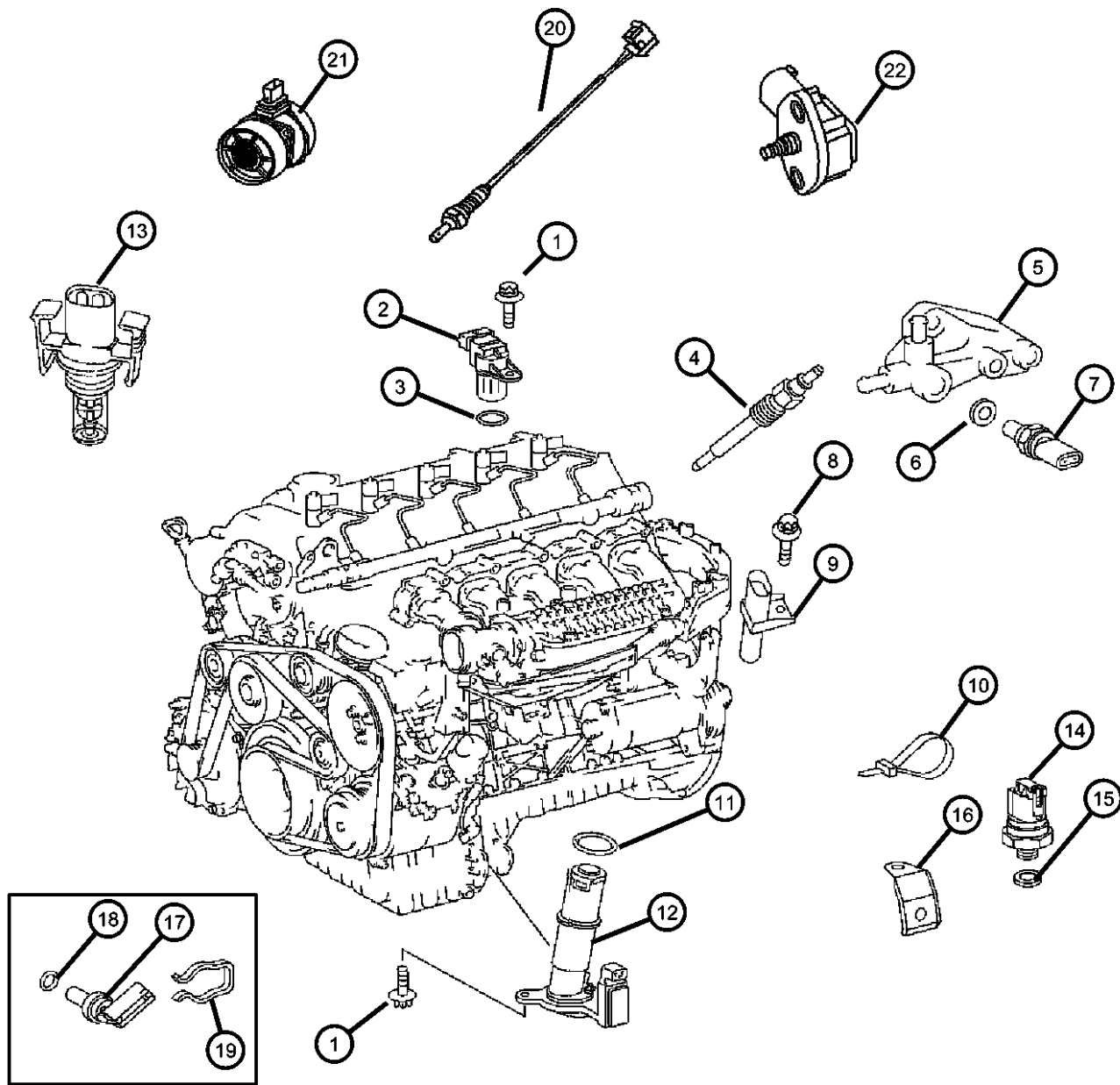
ITEM	PART NUMBER	QTY	LINE	SERIES	BODY	ENGINE	TRANS	TRIM	DESCRIPTION
1	06104682AA	3	2, 3, 6, 7	L		EX8	DGZ		SCREW
2	05175762AA	1	2, 3, 6, 7	L		EX8	DGZ		SENSOR, Camshaft
3	05183535AA	1	2, 3, 6, 7	L		EX8	DGZ		O RING
4	05117592AA	5	2, 3, 6, 7	L		EX8	DGZ		PLUG, Glow
5	05117592AA	5							BRACKET, (NOT SERVICED)
6									WASHER, Banjo
	06507454AA	4	3, 7	L	12, 15, 16	EX8	DGZ		
		4	2, 6	L	01, 02, 06	EX8	DGZ		
		4	2, 6	L	11, 12, 14, 15, 16	EX8	DGZ		
		4	2, 6	L	51, 52, 54, 55, 56	EX8	DGZ		
		4	3, 7	L	02, 06	EX8	DGZ		
7	05103534AB	1	2, 3, 6, 7	L		EX8	DGZ		SENDING UNIT, Temperature Gauge
8									SCREW
	06104076AA	1	2, 6	L	01, 02, 06	EX8	DGZ		
		1	2, 6	L	11, 12, 14, 15, 16	EX8	DGZ		
		1	2, 6	L	51, 52, 54, 55, 56	EX8	DGZ		
		1	3, 7	L	02, 06	EX8	DGZ		
		1	3, 7	L	12, 15, 16	EX8	DGZ		
9	05080350AA	1	2, 3, 6, 7	L		EX8	DGZ		SENSOR, Crankshaft
10									STRAP, Tie
	05080475AB	1	2, 6	L	01, 02, 06	EX8	DGZ		
		1	2, 6	L	11, 12, 14, 15, 16	EX8	DGZ		
		1	2, 6	L	51, 52, 54, 55, 56	EX8	DGZ		
		1	3, 7	L	02, 06	EX8	DGZ		
		1	3, 7	L	12, 15, 16	EX8	DGZ		

SPRINTER (VA)

SERIES	LINE	BODY	ENGINE	TRANSMISSION
L = LOWLINE	3 = HD DODGE 2WD 8 = HD DODGE 4WD 6 = Lt. Duty DODGE 4WD 2 = Med. Duty DODGE 2WD 7 = Med. Duty DODGE 4WD 4 = TRUCK	01 = CHASSIS FORWARD CONTROL W.B.1 02 = CAB CHASSIS WHEEL BASE 2 06 = CAB CHASSIS WHEEL BASE 6 11 = VAN WHEEL BASE 1 12 = VAN WHEEL BASE 2 51 = WAGON WHEEL BASE 1 52 = WAGON WHEEL BASE 2 14 = VAN WHEEL BASE 4 15 = VAN WHEEL BASE 5 54 = WAGON WHEEL BASE 4 55 = WAGON WHEEL BASE 5 56 = WAGON WHEEL BASE 6 16 = VAN WHEEL BASE 6	EX8 = 2.7L I5 Turbo Diesel Engine EX9 = 2.7L I5 Mercedes-Benz TD Engine	DGJ = 5-Speed Automatic MB Transmission DGZ = 4-Spd. Automatic MT643 Transmission

AR = use ase required - = Non illustrated part

Sensors Engine
Figure 8-605



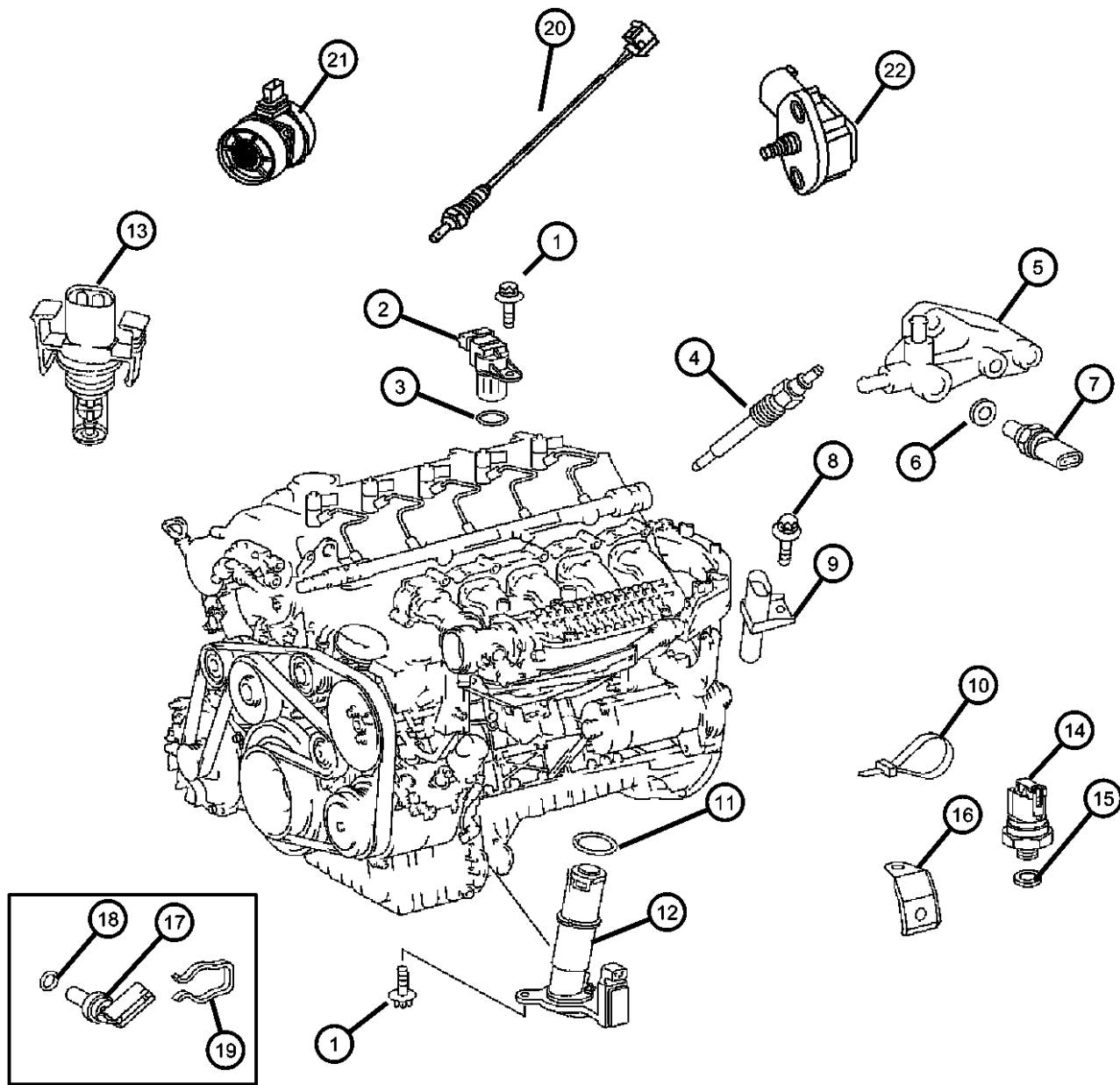
ITEM	PART NUMBER	QTY	LINE	SERIES	BODY	ENGINE	TRANS	TRIM	DESCRIPTION
11	05103567AA	1	2, 3, 6, 7	L		EX8	DGZ		SEAL RING
12	05117544AA	1	2, 3, 6, 7	L		EX8	DGZ		SENDING UNIT, Oil Pressure, Oil level, temperature and quality
13	05174042AA	1	2, 6	L	01, 02, 06	EX8	DGZ		SENSOR, Temperature
		1	2, 6	L	11, 12, 14, 15, 16	EX8	DGZ		
		1	2, 6	L	51, 52, 54, 55, 56	EX8	DGZ		
		1	3, 7	L	02, 06	EX8	DGZ		
		1	3, 7	L	12, 15, 16	EX8	DGZ		
14	05189422AA	1	2, 3, 6, 7	L		EX8	DGZ		SENDING UNIT, Oil Pressure
15	05104639AA	99	2, 6	L	11, 12, 14, 15, 16	EX8	DGZ		WASHER
		99	2, 6	L	51, 52, 54, 55, 56	EX8	DGZ		
		16	3, 7	L	12, 15, 16	EX8	DGZ		
16	05096466AA	1	2, 3, 6, 7	L		EX8	DGZ		BRACKET, Wiring
17	05080147AA	1	2, 3, 6, 7	L		EX8	DGZ		SENDING UNIT, Temperature Gauge
18	05080148AA	1	2, 3, 6, 7	L		EX8	DGZ		O RING
19	05080149AA	1	2, 3, 6, 7	L		EX8	DGZ		CLIP
20	05135667AA	1	2, 6	L	01, 02, 06	EX8	DGZ		SENSOR, Oxygen
		1	2, 6	L	11, 12, 14, 15, 16	EX8	DGZ		
		1	2, 6	L	51, 52, 54, 55, 56	EX8	DGZ		
		1	3, 7	L	02, 06	EX8	DGZ		
		1	3, 7	L	12, 15, 16	EX8	DGZ		
21									SENSOR, Mass Airflow

SPRINTER (VA)

SERIES	LINE	BODY	ENGINE	TRANSMISSION
L = LOWLINE	3 = HD DODGE 2WD 8 = HD DODGE 4WD 6 = Lt. Duty DODGE 4WD 2 = Med. Duty DODGE 2WD 7 = Med. Duty DODGE 4WD 4 = TRUCK	01 = CHASSIS FORWARD CONTROL W.B.1 02 = CAB CHASSIS WHEEL BASE 2 06 = CAB CHASSIS WHEEL BASE 6 11 = VAN WHEEL BASE 1 12 = VAN WHEEL BASE 2 51 = WAGON WHEEL BASE 1 52 = WAGON WHEEL BASE 2 14 = VAN WHEEL BASE 4 15 = VAN WHEEL BASE 5 54 = WAGON WHEEL BASE 4 55 = WAGON WHEEL BASE 5 56 = WAGON WHEEL BASE 6 16 = VAN WHEEL BASE 6	EX8 = 2.7L I5 Turbo Diesel Engine EX9 = 2.7L I5 Mercedes-Benz TD Engine	DGJ = 5-Speed Automatic MB Transmission DGZ = 4-Spd. Automatic MT643 Transmission

AR = use ase required - = Non illustrated part

Sensors Engine
Figure 8-605



ITEM	PART NUMBER	QTY	LINE	SERIES	BODY	ENGINE	TRANS	TRIM	DESCRIPTION
	05117501AA	1	3, 7	L	12, 15, 16	EX8	DGZ		
		1	2, 6	L	01, 02, 06	EX8	DGZ		
		1	2, 6	L	11, 12, 14, 15, 16	EX8	DGZ		
		1	2, 6	L	51, 52, 54, 55, 56	EX8	DGZ		
		1	3, 7	L	02, 06	EX8	DGZ		
22	05117545AA	1	2, 6	L	01, 02, 06	EX8	DGZ		SENSOR, MAP
		1	2, 6	L	11, 12, 14, 15, 16	EX8	DGZ		Stamped A0041538428
		1	2, 6	L	51, 52, 54, 55, 56	EX8	DGZ		Stamped A0041538428
		1	3, 7	L	02, 06	EX8	DGZ		Stamped A0041538428
		1	3, 7	L	12, 15, 16	EX8	DGZ		Stamped A0041538428
-23	05117542AA	1	2, 3, 6, 7	L		EX8	DGZ		SENSOR, Fuel/Water

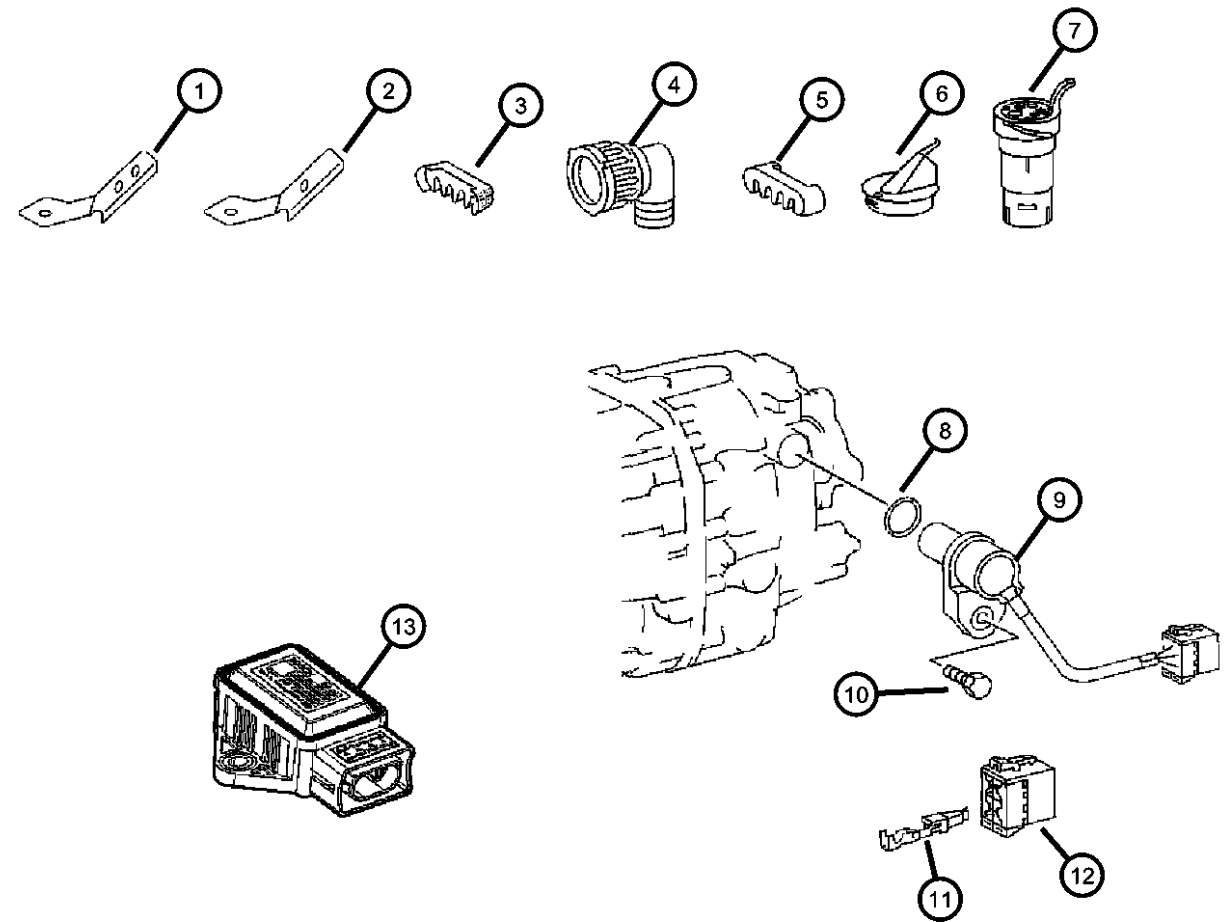
SPRINTER (VA)

SERIES	LINE	BODY	ENGINE	TRANSMISSION
L = LOWLINE	3 = HD DODGE 2WD 8 = HD DODGE 4WD 6 = Lt. Duty DODGE 4WD 2 = Med. Duty DODGE 2WD 7 = Med. Duty DODGE 4WD 4 = TRUCK	01 = CHASSIS FORWARD CONTROL W.B.1 02 = CAB CHASSIS WHEEL BASE 2 06 = CAB CHASSIS WHEEL BASE 6 11 = VAN WHEEL BASE 1 12 = VAN WHEEL BASE 2 51 = WAGON WHEEL BASE 1 52 = WAGON WHEEL BASE 2 14 = VAN WHEEL BASE 4 15 = VAN WHEEL BASE 5 54 = WAGON WHEEL BASE 4 55 = WAGON WHEEL BASE 5 56 = WAGON WHEEL BASE 6 16 = VAN WHEEL BASE 6	EX8 = 2.7L I5 Turbo Diesel Engine EX9 = 2.7L I5 Mercedes-Benz TD Engine	DGJ = 5-Speed Automatic MB Transmission DGZ = 4-Spd. Automatic MT643 Transmission

AR = use ase required - = Non illustrated part

Sensors - Drivetrain
Figure 8-610

ITEM	PART NUMBER	QTY	LINE	SERIES	BODY	ENGINE	TRANS	TRIM	DESCRIPTION
1	05120944AA	1	2, 6	L	01, 02, 06	EX9			BRACKET
		1	2, 6	L	11, 12, 14, 15, 16	EX9			
		1	2, 6	L	51, 52, 54, 55, 56	EX9			
		1	3, 7	L	02, 06	EX9			
		1	3, 7	L	12, 15, 16	EX9			
2	05120947AA	1	2, 6	L	01, 02, 06	EX8	DGZ		BRACKET
		1	2, 6	L	11, 12, 14, 15, 16	EX8	DGZ		
		1	2, 6	L	51, 52, 54, 55, 56	EX8	DGZ		
		1	3, 7	L	02, 06	EX8	DGZ		
		1	3, 7	L	12, 15, 16	EX8	DGZ		
3	05120852AA	1	2, 6	L	01, 02, 06	EX8	DGZ		RETAINER, Wiring Harness
		1	2, 6	L	11, 12, 14, 15, 16	EX8	DGZ		
		1	2, 6	L	51, 52, 54, 55, 56	EX8	DGZ		
		1	3, 7	L	02, 06	EX8	DGZ		
		1	3, 7	L	12, 15, 16	EX8	DGZ		
4	05120915AA	1	2, 6	L	01, 02, 06	EX8	DGZ		BOOT, BOOT
		1	2, 6	L	11, 12, 14, 15, 16	EX8	DGZ		
		1	2, 6	L	51, 52, 54, 55, 56	EX8	DGZ		
		1	3, 7	L	02, 06	EX8	DGZ		
		1	3, 7	L	12, 15, 16	EX8	DGZ		



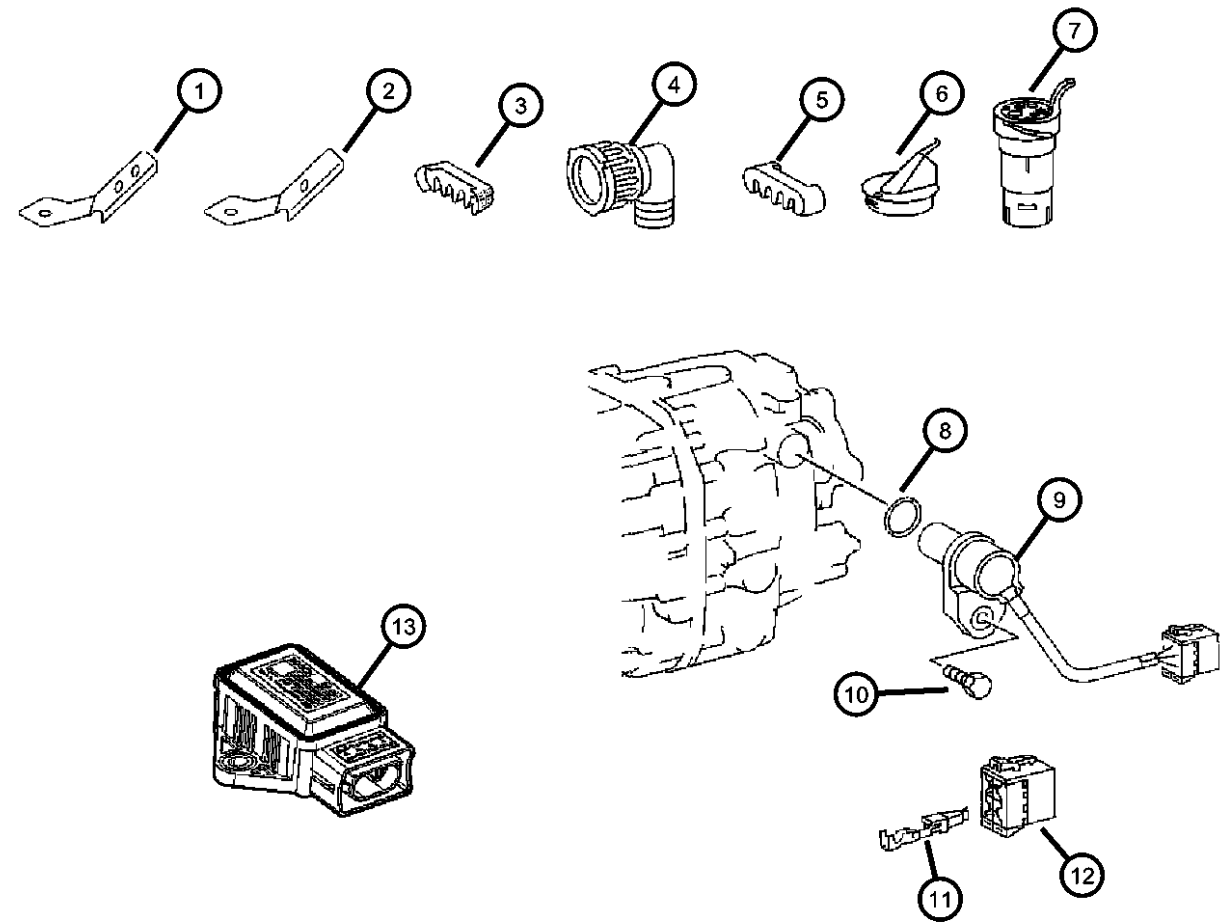
SPRINTER (VA)

SERIES	LINE	BODY	ENGINE	TRANSMISSION
L = LOWLINE	3 = HD DODGE 2WD 8 = HD DODGE 4WD 6 = Lt. Duty DODGE 4WD 2 = Med. Duty DODGE 2WD 7 = Med. Duty DODGE 4WD 4 = TRUCK	01 = CHASSIS FORWARD CONTROL W.B.1 02 = CAB CHASSIS WHEEL BASE 2 06 = CAB CHASSIS WHEEL BASE 6 11 = VAN WHEEL BASE 1 12 = VAN WHEEL BASE 2 51 = WAGON WHEEL BASE 1 52 = WAGON WHEEL BASE 2 14 = VAN WHEEL BASE 4 15 = VAN WHEEL BASE 5 54 = WAGON WHEEL BASE 4 55 = WAGON WHEEL BASE 5 56 = WAGON WHEEL BASE 6 16 = VAN WHEEL BASE 6	EX8 = 2.7L I5 Turbo Diesel Engine EX9 = 2.7L I5 Mercedes-Benz TD Engine	DGJ = 5-Speed Automatic MB Transmission DGZ = 4-Spd. Automatic MT643 Transmission

AR = use ase required - = Non illustrated part

Sensors - Drivetrain
Figure 8-610

ITEM	PART NUMBER	QTY	LINE	SERIES	BODY	ENGINE	TRANS	TRIM	DESCRIPTION
5									RETAINER, Wiring Harness
	05120883AA	1	2, 6	L	01, 02, 06	EX8	DGZ		
		1	2, 6	L	11, 12, 14, 15, 16	EX8	DGZ		
		1	2, 6	L	51, 52, 54, 55, 56	EX8	DGZ		
		1	3, 7	L	02, 06	EX8	DGZ		
		1	3, 7	L	12, 15, 16	EX8	DGZ		
6									CAP
	05120884AA	1	2, 6	L	01, 02, 06	EX8	DGZ		
		1	2, 6	L	11, 12, 14, 15, 16	EX8	DGZ		
		1	2, 6	L	51, 52, 54, 55, 56	EX8	DGZ		
		1	3, 7	L	02, 06	EX8	DGZ		
		1	3, 7	L	12, 15, 16	EX8	DGZ		
7									CONNECTOR
	05120265AA	1	2, 6	L	01, 02, 06	EX8	DGZ		
		1	2, 6	L	11, 12, 14, 15, 16	EX8	DGZ		
		1	2, 6	L	51, 52, 54, 55, 56	EX8	DGZ		
		1	3, 7	L	02, 06	EX8	DGZ		
		1	3, 7	L	12, 15, 16	EX8	DGZ		
8									O RING, Sensor
	05125908AA	2	2, 6	L	01, 02, 06	EX8	DGZ		
		2	2, 6	L	11, 12, 14, 15, 16	EX8	DGZ		
		2	2, 6	L	51, 52, 54, 55, 56	EX8	DGZ		
		2	3, 7	L	02, 06	EX8	DGZ		
		2	3, 7	L	12, 15, 16	EX8	DGZ		



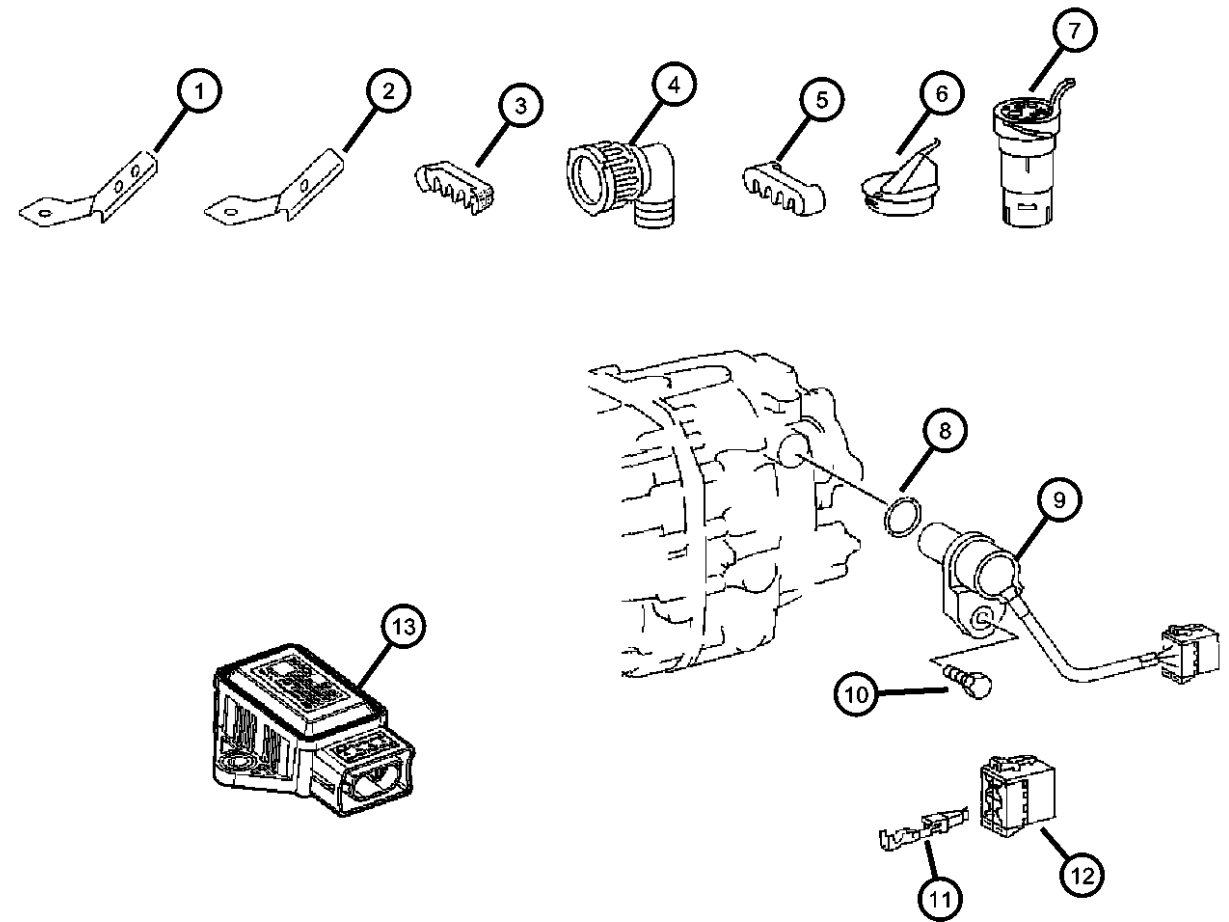
SPRINTER (VA)

SERIES	LINE	BODY	ENGINE	TRANSMISSION
L = LOWLINE	3 = HD DODGE 2WD 8 = HD DODGE 4WD 6 = Lt. Duty DODGE 4WD 2 = Med. Duty DODGE 2WD 7 = Med. Duty DODGE 4WD 4 = TRUCK	01 = CHASSIS FORWARD CONTROL W.B.1 02 = CAB CHASSIS WHEEL BASE 2 06 = CAB CHASSIS WHEEL BASE 6 11 = VAN WHEEL BASE 1 12 = VAN WHEEL BASE 2 51 = WAGON WHEEL BASE 1 52 = WAGON WHEEL BASE 2 14 = VAN WHEEL BASE 4 15 = VAN WHEEL BASE 5 54 = WAGON WHEEL BASE 4 55 = WAGON WHEEL BASE 5 56 = WAGON WHEEL BASE 6 16 = VAN WHEEL BASE 6	EX8 = 2.7L I5 Turbo Diesel Engine EX9 = 2.7L I5 Mercedes-Benz TD Engine	DGJ = 5-Speed Automatic MB Transmission DGZ = 4-Spd. Automatic MT643 Transmission

AR = use ase required - = Non illustrated part

Sensors - Drivetrain
Figure 8-610

ITEM	PART NUMBER	QTY	LINE	SERIES	BODY	ENGINE	TRANS	TRIM	DESCRIPTION
9									SENSOR, Vehicle Speed
	05120309AA	1	2, 6	L	01, 02, 06	EX8	DGZ		Tach pulse sensor
		1	2, 6	L	11, 12, 14, 15, 16	EX8	DGZ		Tach pulse sensor
		1	2, 6	L	51, 52, 54, 55, 56	EX8	DGZ		Tach pulse sensor
		1	3, 7	L	02, 06	EX8	DGZ		Tach pulse sensor
		1	3, 7	L	12, 15, 16	EX8	DGZ		Tach pulse sensor
	05120316AA	1	2, 6	L	01, 02, 06	EX8	DGZ		All wheel drive
		1	2, 6	L	11, 12, 14, 15, 16	EX8	DGZ		All wheel drive
		1	2, 6	L	51, 52, 54, 55, 56	EX8	DGZ		All wheel drive
		1	3, 7	L	02, 06	EX8	DGZ		All wheel drive
		1	3, 7	L	12, 15, 16	EX8	DGZ		All wheel drive
	05120317AA	1	2, 6	L	01, 02, 06	EX8	DGZ		Auto trans
		1	2, 6	L	11, 12, 14, 15, 16	EX8	DGZ		Auto trans
		1	2, 6	L	51, 52, 54, 55, 56	EX8	DGZ		Auto trans
		1	3, 7	L	02, 06	EX8	DGZ		Auto trans
		1	3, 7	L	12, 15, 16	EX8	DGZ		Auto trans
10									SCREW
	05126234AA	1	2, 6	L	01, 02, 06	EX8	DGZ		
		1	2, 6	L	11, 12, 14, 15, 16	EX8	DGZ		
		1	2, 6	L	51, 52, 54, 55, 56	EX8	DGZ		
		1	3, 7	L	02, 06	EX8	DGZ		
		1	3, 7	L	12, 15, 16	EX8	DGZ		
11									TERMINAL
	05103877AA	99	2, 6	L	01, 02, 06	EX8	DGZ		



SPRINTER (VA)

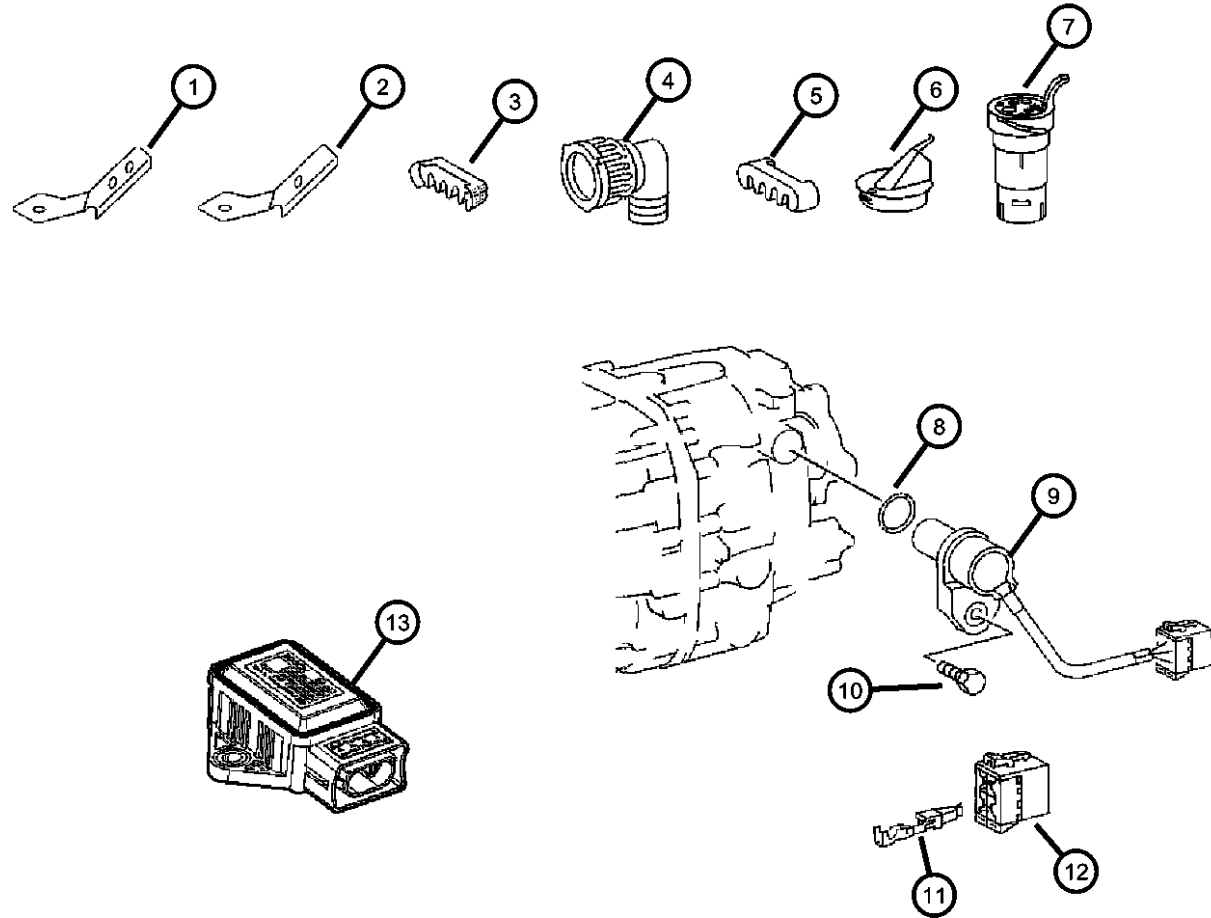
SERIES	LINE	BODY	ENGINE	TRANSMISSION
L = LOWLINE	3 = HD DODGE 2WD 8 = HD DODGE 4WD 6 = Lt. Duty DODGE 4WD 2 = Med. Duty DODGE 2WD 7 = Med. Duty DODGE 4WD 4 = TRUCK	01 = CHASSIS FORWARD CONTROL W.B.1 02 = CAB CHASSIS WHEEL BASE 2 06 = CAB CHASSIS WHEEL BASE 6 11 = VAN WHEEL BASE 1 12 = VAN WHEEL BASE 2 51 = WAGON WHEEL BASE 1 52 = WAGON WHEEL BASE 2 14 = VAN WHEEL BASE 4 15 = VAN WHEEL BASE 5 54 = WAGON WHEEL BASE 4 55 = WAGON WHEEL BASE 5 56 = WAGON WHEEL BASE 6 16 = VAN WHEEL BASE 6	EX8 = 2.7L I5 Turbo Diesel Engine EX9 = 2.7L I5 Mercedes-Benz TD Engine	DGJ = 5-Speed Automatic MB Transmission DGZ = 4-Spd. Automatic MT643 Transmission

AR = use ase required - = Non illustrated part

2006 VA

Sensors - Drivetrain
Figure 8-610

ITEM	PART NUMBER	QTY	LINE	SERIES	BODY	ENGINE	TRANS	TRIM	DESCRIPTION
		99	2, 6	L	11, 12, 14, 15, 16	EX8	DGZ		
		99	2, 6	L	51, 52, 54, 55, 56	EX8	DGZ		
		99	3, 7	L	02, 06	EX8	DGZ		
		99	3, 7	L	12, 15, 16	EX8	DGZ		
12	05103931AA	1	2, 6	L	01, 02, 06	EX8	DGZ		CONNECTOR
		1	2, 6	L	11, 12, 14, 15, 16	EX8	DGZ		
		1	2, 6	L	51, 52, 54, 55, 56	EX8	DGZ		
		1	3, 7	L	02, 06	EX8	DGZ		
		1	3, 7	L	12, 15, 16	EX8	DGZ		
13	05120342AA	1	2, 6	L	01, 02, 06	EX8	DGZ		SENSOR, Acceleration
		1	2, 6	L	11, 12, 14, 15, 16	EX8	DGZ		
		1	2, 6	L	51, 52, 54, 55, 56	EX8	DGZ		
		1	3, 7	L	02, 06	EX8	DGZ		
		1	3, 7	L	12, 15, 16	EX8	DGZ		



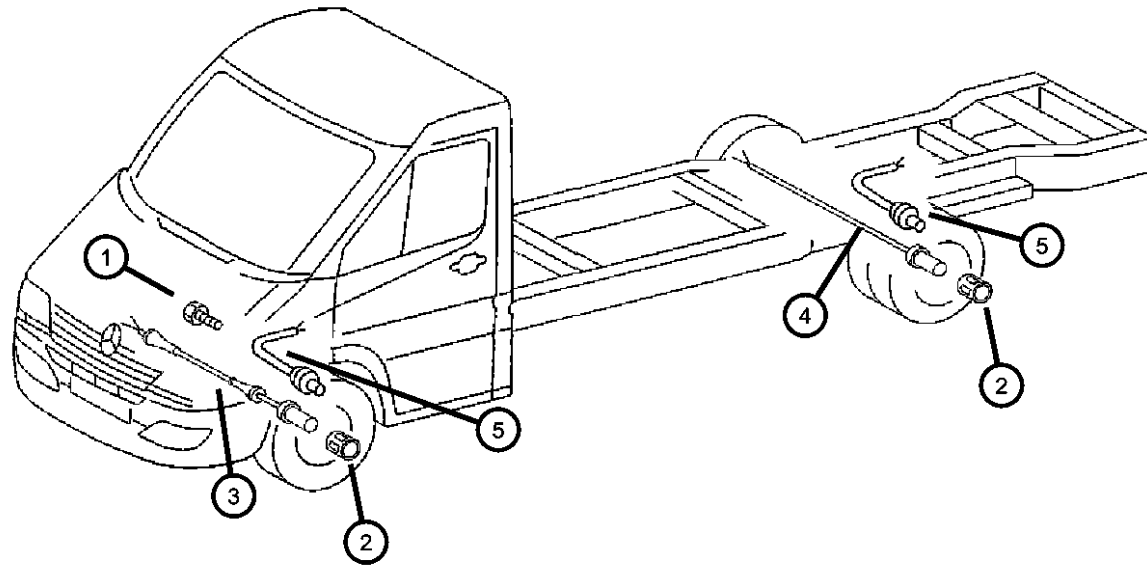
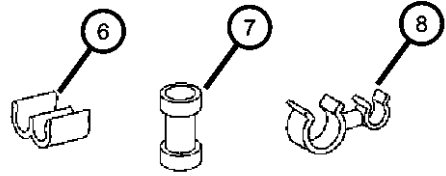
SPRINTER (VA)

SERIES	LINE	BODY	ENGINE	TRANSMISSION
L = LOWLINE	3 = HD DODGE 2WD 8 = HD DODGE 4WD 6 = Lt. Duty DODGE 4WD 2 = Med. Duty DODGE 2WD 7 = Med. Duty DODGE 4WD 4 = TRUCK	01 = CHASSIS FORWARD CONTROL W.B.1 02 = CAB CHASSIS WHEEL BASE 2 06 = CAB CHASSIS WHEEL BASE 6 11 = VAN WHEEL BASE 1 12 = VAN WHEEL BASE 2 51 = WAGON WHEEL BASE 1 52 = WAGON WHEEL BASE 2 14 = VAN WHEEL BASE 4 15 = VAN WHEEL BASE 5 54 = WAGON WHEEL BASE 4 55 = WAGON WHEEL BASE 5 56 = WAGON WHEEL BASE 6 16 = VAN WHEEL BASE 6	EX8 = 2.7L I5 Turbo Diesel Engine EX9 = 2.7L I5 Mercedes-Benz TD Engine	DGJ = 5-Speed Automatic MB Transmission DGZ = 4-Spd. Automatic MT643 Transmission

AR = use ase required - = Non illustrated part

Sensors - Brakes
Figure 8-615

ITEM	PART NUMBER	QTY	LINE	SERIES	BODY	ENGINE	TRANS	TRIM	DESCRIPTION
1									SCREW
	05126269AA	2	2, 6	L	51, 52, 54, 55, 56	EX8	DGZ		
		2	3, 7	L	02, 06	EX8	DGZ		
		2	3, 7	L	12, 15, 16	EX8	DGZ		
		2	2, 6	L	01, 02, 06	EX8	DGZ		
		2	2, 6	L	11, 12, 14, 15, 16	EX8	DGZ		
2									RETAINER
	05120376AA	2	2, 6	L	01, 02, 06	EX8	DGZ		
		2	2, 6	L	11, 12, 14, 15, 16	EX8	DGZ		
		2	2, 6	L	51, 52, 54, 55, 56	EX8	DGZ		
		2	3, 7	L	02, 06	EX8	DGZ		
		2	3, 7	L	12, 15, 16	EX8	DGZ		
3									SENSOR, Wheel Speed
	05104145AA	2	2, 6	L	01, 02, 06	EX8	DGZ		ALSO ORDER 2 X 05120376AA, 1 X 05103755AA & 1 X 05103801AA
		2	2, 6	L	11, 12, 14, 15, 16	EX8	DGZ		ALSO ORDER 2 X 05120376AA, 1 X 05103755AA & 1 X 05103801AA
		2	2, 6	L	51, 52, 54, 55, 56	EX8	DGZ		ALSO ORDER 2 X 05120376AA, 1 X 05103755AA & 1 X 05103801AA
		2	3, 7	L	02, 06	EX8	DGZ		ALSO ORDER 2 X 05120376AA, 1 X 05103755AA & 1 X 05103801AA
		2	3, 7	L	12, 15, 16	EX8	DGZ		ALSO ORDER 2 X 05120376AA, 1 X 05103755AA & 1 X 05103801AA
4									SENSOR, Wheel Speed

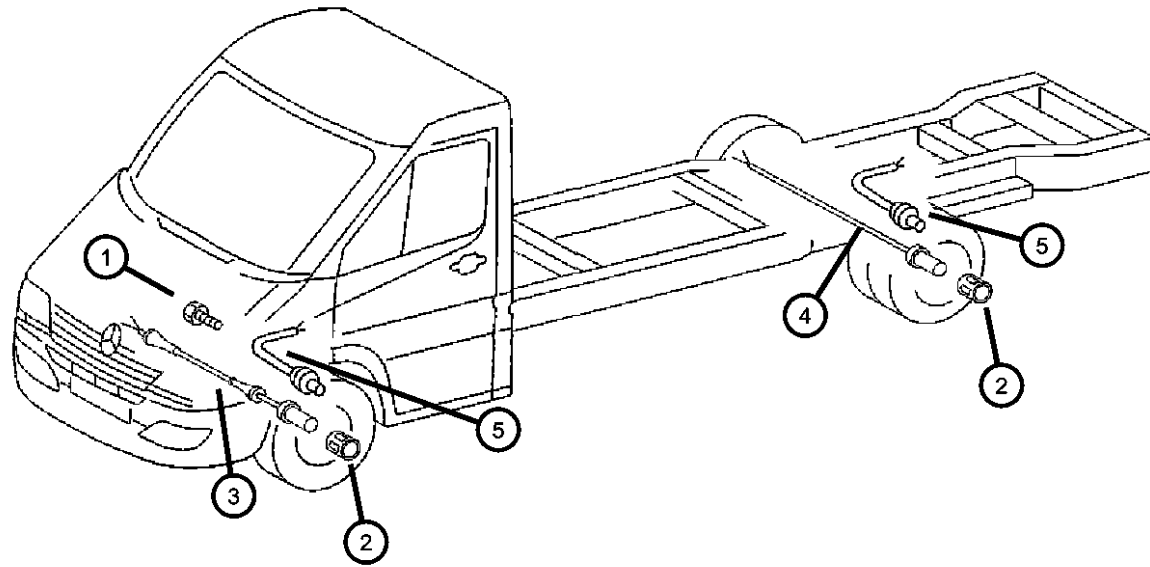
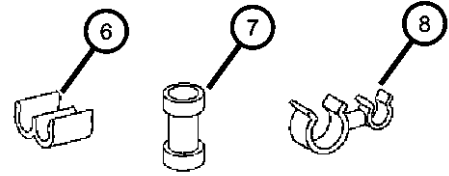


SPRINTER (VA)

SERIES	LINE	BODY	ENGINE	TRANSMISSION
L = LOWLINE	3 = HD DODGE 2WD 8 = HD DODGE 4WD 6 = Lt. Duty DODGE 4WD 2 = Med. Duty DODGE 2WD 7 = Med. Duty DODGE 4WD 4 = TRUCK	01 = CHASSIS FORWARD CONTROL W.B.1 02 = CAB CHASSIS WHEEL BASE 2 06 = CAB CHASSIS WHEEL BASE 6 11 = VAN WHEEL BASE 1 12 = VAN WHEEL BASE 2 51 = WAGON WHEEL BASE 1 52 = WAGON WHEEL BASE 2 14 = VAN WHEEL BASE 4 15 = VAN WHEEL BASE 5 54 = WAGON WHEEL BASE 4 55 = WAGON WHEEL BASE 5 56 = WAGON WHEEL BASE 6 16 = VAN WHEEL BASE 6	EX8 = 2.7L I5 Turbo Diesel Engine EX9 = 2.7L I5 Mercedes-Benz TD Engine	DGJ = 5-Speed Automatic MB Transmission DGZ = 4-Spd. Automatic MT643 Transmission

AR = use ase required - = Non illustrated part

Sensors - Brakes
Figure 8-615



ITEM	PART NUMBER	QTY	LINE	SERIES	BODY	ENGINE	TRANS	TRIM	DESCRIPTION
	05104144AA	1	2, 6	L	01, 02, 06	EX8	DGZ		ALSO ORDER 2 X 05120376AA, 1 X 05103755AA & 1 X 05103801AA
		1	2, 6	L	11, 12, 14, 15, 16	EX8	DGZ		ALSO ORDER 2 X 05120376AA, 1 X 05103755AA & 1 X 05103801AA
		1	2, 6	L	51, 52, 54, 55, 56	EX8	DGZ		ALSO ORDER 2 X 05120376AA, 1 X 05103755AA & 1 X 05103801AA
		1	3, 7	L	02, 06	EX8	DGZ		ALSO ORDER 2 X 05120376AA, 1 X 05103755AA & 1 X 05103801AA
		1	3, 7	L	12, 15, 16	EX8	DGZ		ALSO ORDER 2 X 05120376AA, 1 X 05103755AA & 1 X 05103801AA
5									WIRING, Brake Indicator
	05103654AA	1	2, 6	L	11, 12, 14, 15, 16	EX8	DGZ		
		1	2, 6	L	51, 52, 54, 55, 56	EX8	DGZ		
		1	3, 7	L	02, 06	EX8	DGZ		
		1	3, 7	L	12, 15, 16	EX8	DGZ		
		1	2, 6	L	01, 02, 06	EX8	DGZ		
6									CLIP, Wiring
	05126024AA	2	2, 6	L	01, 02, 06	EX8	DGZ		
		2	2, 6	L	11, 12, 14, 15, 16	EX8	DGZ		
		2	2, 6	L	51, 52, 54, 55, 56	EX8	DGZ		
		2	3, 7	L	02, 06	EX8	DGZ		
		2	3, 7	L	12, 15, 16	EX8	DGZ		
7									CONNECTOR
	05103755AA	99	2, 6	L	01, 02, 06	EX8	DGZ		

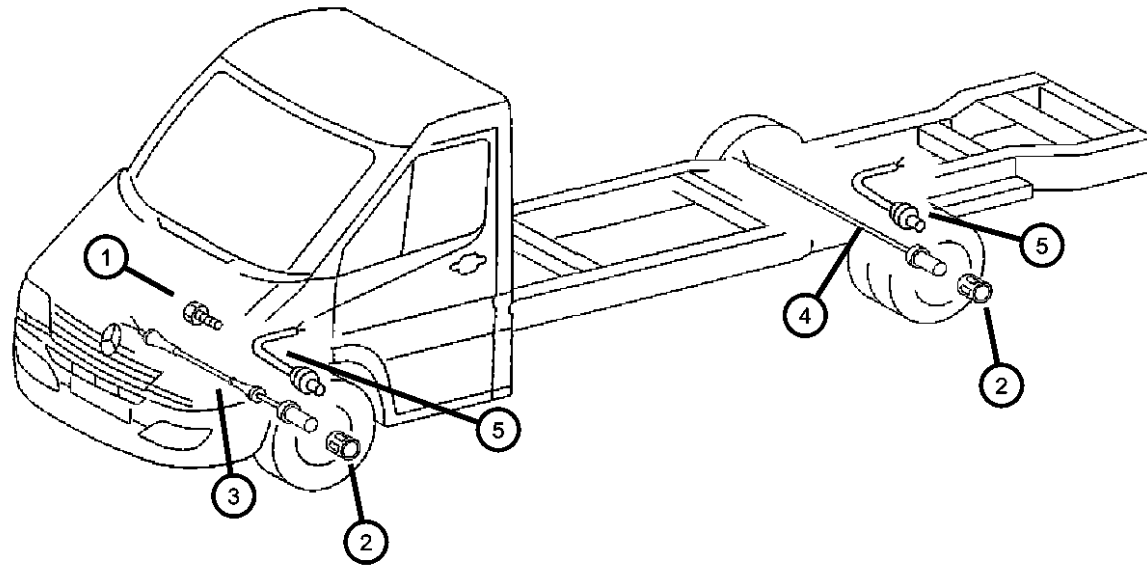
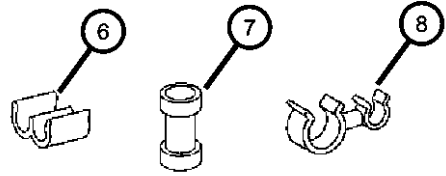
SPRINTER (VA)

SERIES	LINE	BODY	ENGINE	TRANSMISSION
L = LOWLINE	3 = HD DODGE 2WD 8 = HD DODGE 4WD 6 = Lt. Duty DODGE 4WD 2 = Med. Duty DODGE 2WD 7 = Med. Duty DODGE 4WD 4 = TRUCK	01 = CHASSIS FORWARD CONTROL W.B.1 02 = CAB CHASSIS WHEEL BASE 2 06 = CAB CHASSIS WHEEL BASE 6 11 = VAN WHEEL BASE 1 12 = VAN WHEEL BASE 2 51 = WAGON WHEEL BASE 1 52 = WAGON WHEEL BASE 2 14 = VAN WHEEL BASE 4 15 = VAN WHEEL BASE 5 54 = WAGON WHEEL BASE 4 55 = WAGON WHEEL BASE 5 56 = WAGON WHEEL BASE 6 16 = VAN WHEEL BASE 6	EX8 = 2.7L I5 Turbo Diesel Engine EX9 = 2.7L I5 Mercedes-Benz TD Engine	DGJ = 5-Speed Automatic MB Transmission DGZ = 4-Spd. Automatic MT643 Transmission

AR = use ase required - = Non illustrated part

Sensors - Brakes
Figure 8-615

ITEM	PART NUMBER	QTY	LINE	SERIES	BODY	ENGINE	TRANS	TRIM	DESCRIPTION
		99	2, 6	L	11, 12, 14, 15, 16	EX8	DGZ		
		99	2, 6	L	51, 52, 54, 55, 56	EX8	DGZ		
		99	3, 7	L	02, 06	EX8	DGZ		
		99	3, 7	L	12, 15, 16	EX8	DGZ		
8	05120943AA	6	2, 6	L	01, 02, 06	EX8	DGZ		BRACKET
		6	2, 6	L	11, 12, 14, 15, 16	EX8	DGZ		
		6	2, 6	L	51, 52, 54, 55, 56	EX8	DGZ		
		1	2, 6	L	01, 02, 06	EX8	DGZ		
		6	3, 7	L	02, 06	EX8	DGZ		
		6	3, 7	L	12, 15, 16	EX8	DGZ		

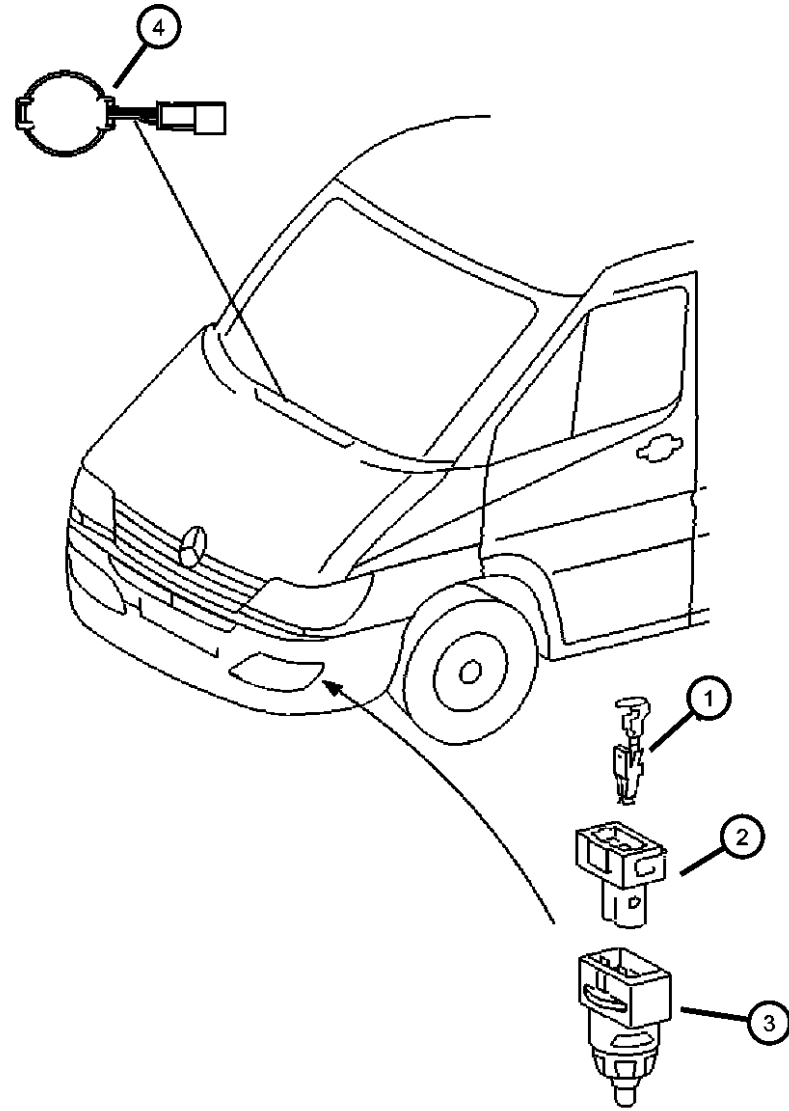


SPRINTER (VA)

SERIES	LINE	BODY	ENGINE	TRANSMISSION
L = LOWLINE	3 = HD DODGE 2WD 8 = HD DODGE 4WD 6 = Lt. Duty DODGE 4WD 2 = Med. Duty DODGE 2WD 7 = Med. Duty DODGE 4WD 4 = TRUCK	01 = CHASSIS FORWARD CONTROL W.B.1 02 = CAB CHASSIS WHEEL BASE 2 06 = CAB CHASSIS WHEEL BASE 6 11 = VAN WHEEL BASE 1 12 = VAN WHEEL BASE 2 51 = WAGON WHEEL BASE 1 52 = WAGON WHEEL BASE 2 14 = VAN WHEEL BASE 4 15 = VAN WHEEL BASE 5 54 = WAGON WHEEL BASE 4 55 = WAGON WHEEL BASE 5 56 = WAGON WHEEL BASE 6 16 = VAN WHEEL BASE 6	EX8 = 2.7L I5 Turbo Diesel Engine EX9 = 2.7L I5 Mercedes-Benz TD Engine	DGJ = 5-Speed Automatic MB Transmission DGZ = 4-Spd. Automatic MT643 Transmission

AR = use ase required - = Non illustrated part

Sensors Ambient Temperature and Rain
Figure 8-620



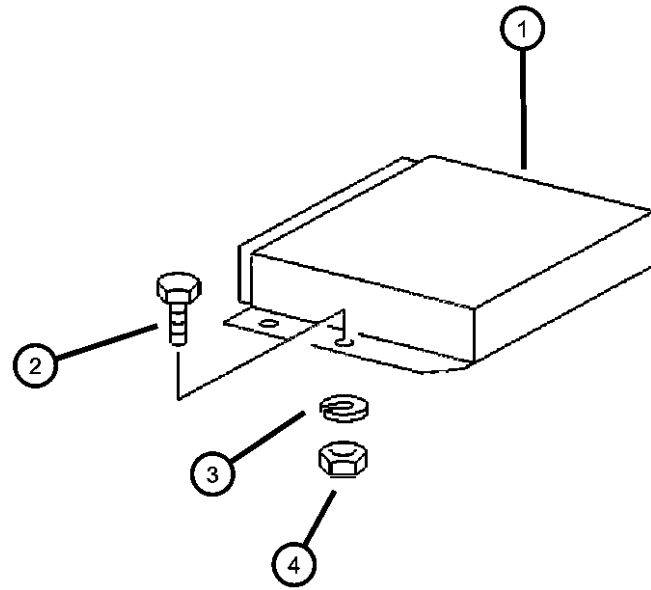
ITEM	PART NUMBER	QTY	LINE	SERIES	BODY	ENGINE	TRANS	TRIM	DESCRIPTION
1									TERMINAL
	05103880AA	99	2, 6	L	01, 02, 06	EX8	DGZ		
		99	2, 6	L	11, 12, 14, 15, 16	EX8	DGZ		
		99	2, 6	L	51, 52, 54, 55, 56	EX8	DGZ		
		99	3, 7	L	02, 06	EX8	DGZ		
		99	3, 7	L	12, 15, 16	EX8	DGZ		
2									CONNECTOR
	05120749AA	1	2, 6	L	01, 02, 06	EX8	DGZ		
		1	2, 6	L	11, 12, 14, 15, 16	EX8	DGZ		
		1	3, 7	L	02, 06	EX8	DGZ		
		1	3, 7	L	12, 15, 16	EX8	DGZ		
		1	2, 6	L	51, 52, 54, 55, 56	EX8	DGZ		
3									SENSOR, Ambient Temperature
	05103563AA	1	2, 6	L	01, 02, 06	EX8	DGZ		
		1	3, 7	L	12, 15, 16	EX8	DGZ		
		1	2, 6	L	11, 12, 14, 15, 16	EX8	DGZ		
		1	2, 6	L	51, 52, 54, 55, 56	EX8	DGZ		
		1	3, 7	L	02, 06	EX8	DGZ		
4									SENSOR, Rain
	05124421AA	1	2, 6	L	01, 02, 06	EX8	DGZ		
		1	2, 6	L	11, 12, 14, 15, 16	EX8	DGZ		
		1	2, 6	L	51, 52, 54, 55, 56	EX8	DGZ		
		1	3, 7	L	02, 06	EX8	DGZ		
		1	3, 7	L	12, 15, 16	EX8	DGZ		

SPRINTER (VA)

SERIES	LINE	BODY	ENGINE	TRANSMISSION
L = LOWLINE	3 = HD DODGE 2WD 8 = HD DODGE 4WD 6 = Lt. Duty DODGE 4WD 2 = Med. Duty DODGE 2WD 7 = Med. Duty DODGE 4WD 4 = TRUCK	01 = CHASSIS FORWARD CONTROL W.B.1 02 = CAB CHASSIS WHEEL BASE 2 06 = CAB CHASSIS WHEEL BASE 6 11 = VAN WHEEL BASE 1 12 = VAN WHEEL BASE 2 51 = WAGON WHEEL BASE 1 52 = WAGON WHEEL BASE 2 14 = VAN WHEEL BASE 4 15 = VAN WHEEL BASE 5 54 = WAGON WHEEL BASE 4 55 = WAGON WHEEL BASE 5 56 = WAGON WHEEL BASE 6 16 = VAN WHEEL BASE 6	EX8 = 2.7L I5 Turbo Diesel Engine EX9 = 2.7L I5 Mercedes-Benz TD Engine	DGJ = 5-Speed Automatic MB Transmission DGZ = 4-Spd. Automatic MT643 Transmission

AR = use ase required - = Non illustrated part

**Powertrain Control
Figure 8-715**



ITEM	PART NUMBER	QTY	LINE	SERIES	BODY	ENGINE	TRANS	TRIM	DESCRIPTION
1									MODULE, Powertrain Control
	05166760AA	1	2, 6	L	01, 02, 06	EX8	DGZ		
		1	2, 6	L	11, 12, 14, 15, 16	EX8	DGZ		
		1	2, 6	L	51, 52, 54, 55, 56	EX8	DGZ		
		1	3, 7	L	02, 06	EX8	DGZ		
		1	3, 7	L	12, 15, 16	EX8	DGZ		
2									BOLT, M6x20
	05126198AA	4	2, 6	L	01, 02, 06	EX8	DGZ		
		4	2, 6	L	11, 12, 14, 15, 16	EX8	DGZ		
		4	2, 6	L	51, 52, 54, 55, 56	EX8	DGZ		
		4	3, 7	L	02, 06	EX8	DGZ		
		4	3, 7	L	12, 15, 16	EX8	DGZ		
3									LOCK WASHER
	05126240AA	4	3, 7	L	12, 15, 16	EX8	DGZ		
		4	2, 6	L	01, 02, 06	EX8	DGZ		
		4	2, 6	L	11, 12, 14, 15, 16	EX8	DGZ		
		4	2, 6	L	51, 52, 54, 55, 56	EX8	DGZ		
		4	3, 7	L	02, 06	EX8	DGZ		
4		4							NUT, Hex, (NOT SERVICED)
-5									MODULE, Transmission Control
	05140526AA	1	2, 6	L	01, 02, 06	EX8	DGZ		
		1	2, 6	L	11, 12, 14, 15, 16	EX8	DGZ		
		1	2, 6	L	51, 52, 54, 55, 56	EX8	DGZ		

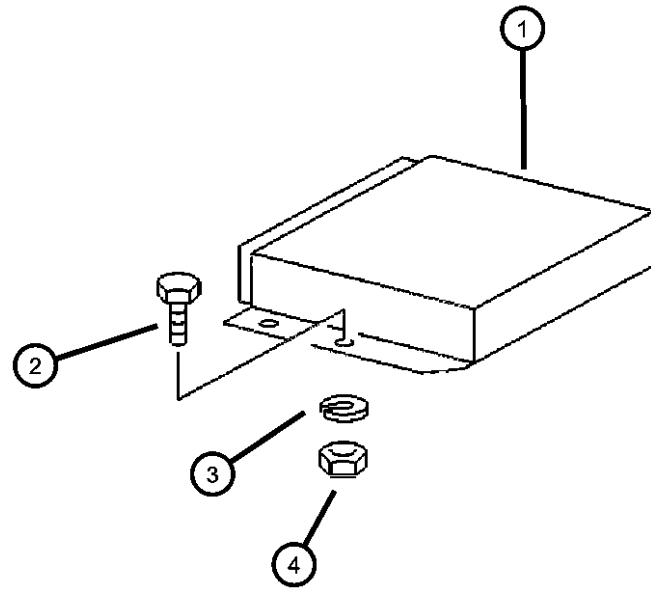
SPRINTER (VA)

SERIES	LINE	BODY	ENGINE	TRANSMISSION
L = LOWLINE	3 = HD DODGE 2WD 8 = HD DODGE 4WD 6 = Lt. Duty DODGE 4WD 2 = Med. Duty DODGE 2WD 7 = Med. Duty DODGE 4WD 4 = TRUCK	01 = CHASSIS FORWARD CONTROL W.B.1 02 = CAB CHASSIS WHEEL BASE 2 06 = CAB CHASSIS WHEEL BASE 6 11 = VAN WHEEL BASE 1 12 = VAN WHEEL BASE 2 51 = WAGON WHEEL BASE 1 52 = WAGON WHEEL BASE 2 14 = VAN WHEEL BASE 4 15 = VAN WHEEL BASE 5 54 = WAGON WHEEL BASE 4 55 = WAGON WHEEL BASE 5 56 = WAGON WHEEL BASE 6 16 = VAN WHEEL BASE 6	EX8 = 2.7L I5 Turbo Diesel Engine EX9 = 2.7L I5 Mercedes-Benz TD Engine	DGJ = 5-Speed Automatic MB Transmission DGZ = 4-Spd. Automatic MT643 Transmission

AR = use ase required - = Non illustrated part

**Powertrain Control
Figure 8-715**

ITEM	PART NUMBER	QTY	LINE	SERIES	BODY	ENGINE	TRANS	TRIM	DESCRIPTION
		1	3, 7	L	02, 06	EX8	DGZ		
		1	3, 7	L	12, 15, 16	EX8	DGZ		

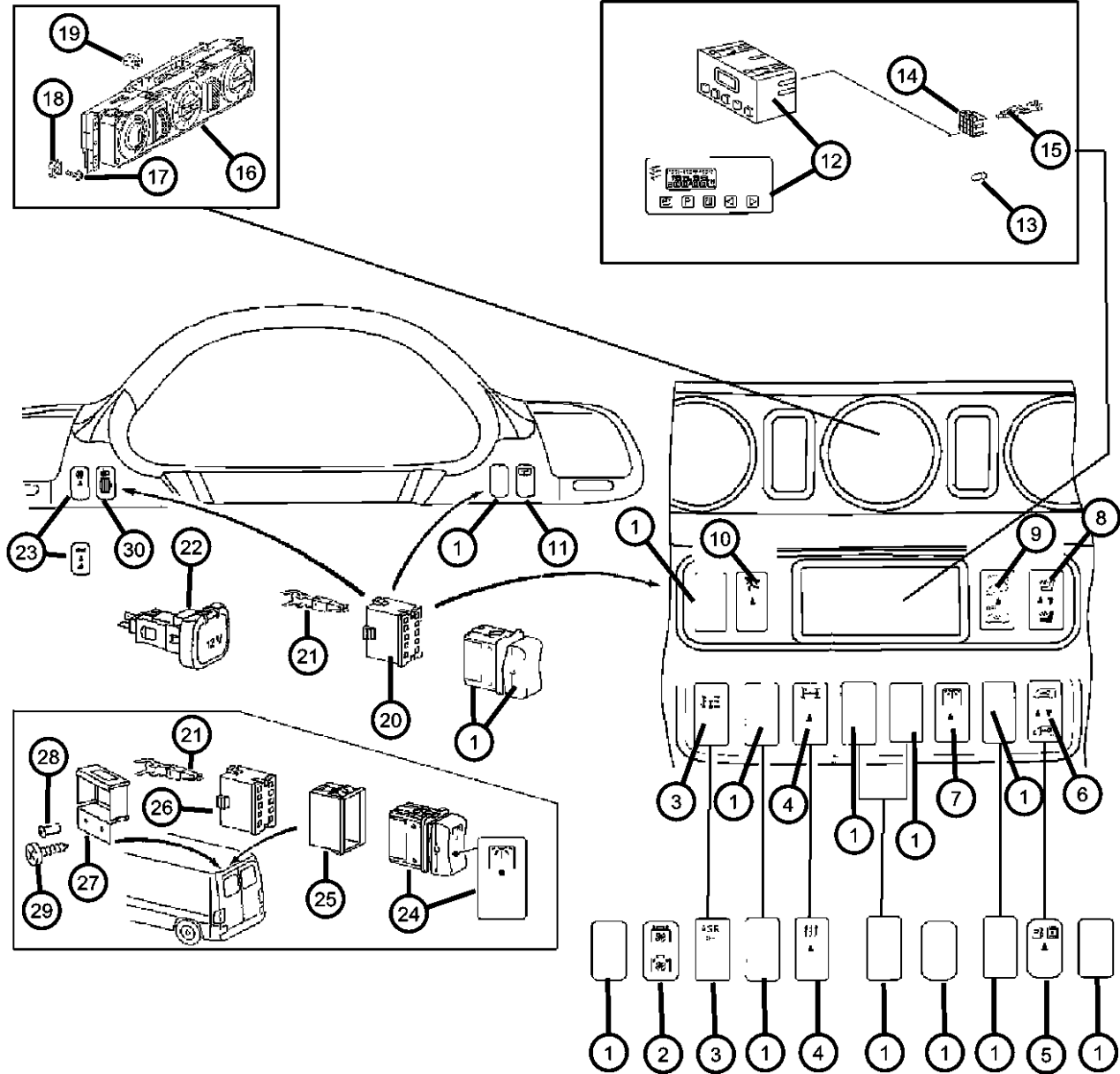


SPRINTER (VA)

SERIES	LINE	BODY	ENGINE	TRANSMISSION
L = LOWLINE	3 = HD DODGE 2WD 8 = HD DODGE 4WD 6 = Lt. Duty DODGE 4WD 2 = Med. Duty DODGE 2WD 7 = Med. Duty DODGE 4WD 4 = TRUCK	01 = CHASSIS FORWARD CONTROL W.B.1 02 = CAB CHASSIS WHEEL BASE 2 06 = CAB CHASSIS WHEEL BASE 6 11 = VAN WHEEL BASE 1 12 = VAN WHEEL BASE 2 51 = WAGON WHEEL BASE 1 52 = WAGON WHEEL BASE 2 14 = VAN WHEEL BASE 4 15 = VAN WHEEL BASE 5 54 = WAGON WHEEL BASE 4 55 = WAGON WHEEL BASE 5 56 = WAGON WHEEL BASE 6 16 = VAN WHEEL BASE 6	EX8 = 2.7L I5 Turbo Diesel Engine EX9 = 2.7L I5 Mercedes-Benz TD Engine	DGJ = 5-Speed Automatic MB Transmission DGZ = 4-Spd. Automatic MT643 Transmission

AR = use ase required - = Non illustrated part

Switches - Instrument Panel
Figure 8-805



ITEM	PART NUMBER	QTY	LINE	SERIES	BODY	ENGINE	TRANS	TRIM	DESCRIPTION
1	05122925AA	3	2, 6	L	01, 02, 06	EX8	DGZ		COVER, Switch Opening
		3	2, 6	L	11, 12, 14, 15, 16	EX8	DGZ		
		3	2, 6	L	51, 52, 54, 55, 56	EX8	DGZ		
		3	3, 7	L	02, 06	EX8	DGZ		
		3	3, 7	L	12, 15, 16	EX8	DGZ		
2	05120490AA	1	2, 6	L	11, 12, 14, 15, 16	EX8	DGZ		SWITCH, Ventilator
		1	2, 6	L	51, 52, 54, 55, 56	EX8	DGZ		
		1	3, 7	L	12, 15, 16	EX8	DGZ		
3	05120472AA	1	3, 7	L	02, 06	EX8	DGZ		SWITCH, Traction Control
		1	3, 7	L	12, 15, 16	EX8	DGZ		
4	05103853AA	1	3, 7	L	02, 06	EX8	DGZ		SWITCH, Rear Blower
		1	3, 7	L	12, 15, 16	EX8	DGZ		
		1	2, 6	L	01, 02, 06	EX8	DGZ		
		1	2, 6	L	11, 12, 14, 15, 16	EX8	DGZ		
		1	2, 6	L	51, 52, 54, 55, 56	EX8	DGZ		
5	05124392AA	1	2, 6	L	01, 02, 06	EX8	DGZ		SWITCH, Wiper and Washer
		1	2, 6	L	11, 12, 14, 15, 16	EX8	DGZ		
		1	2, 6	L	51, 52, 54, 55, 56	EX8	DGZ		
		1	3, 7	L	02, 06	EX8	DGZ		

SPRINTER (VA)

SERIES

L = LOWLINE
 3 = HD DODGE 2WD
 8 = HD DODGE 4WD
 6 = Lt. Duty DODGE 4WD
 2 = Med. Duty DODGE 2WD
 7 = Med. Duty DODGE 4WD
 4 = TRUCK

BODY

01 = CHASSIS FORWARD CONTROL W.B.1
 02 = CAB CHASSIS WHEEL BASE 2
 06 = CAB CHASSIS WHEEL BASE 6
 11 = VAN WHEEL BASE 1
 12 = VAN WHEEL BASE 2
 51 = WAGON WHEEL BASE 1
 52 = WAGON WHEEL BASE 2
 14 = VAN WHEEL BASE 4
 15 = VAN WHEEL BASE 5
 54 = WAGON WHEEL BASE 4
 55 = WAGON WHEEL BASE 5
 56 = WAGON WHEEL BASE 6
 16 = VAN WHEEL BASE 6

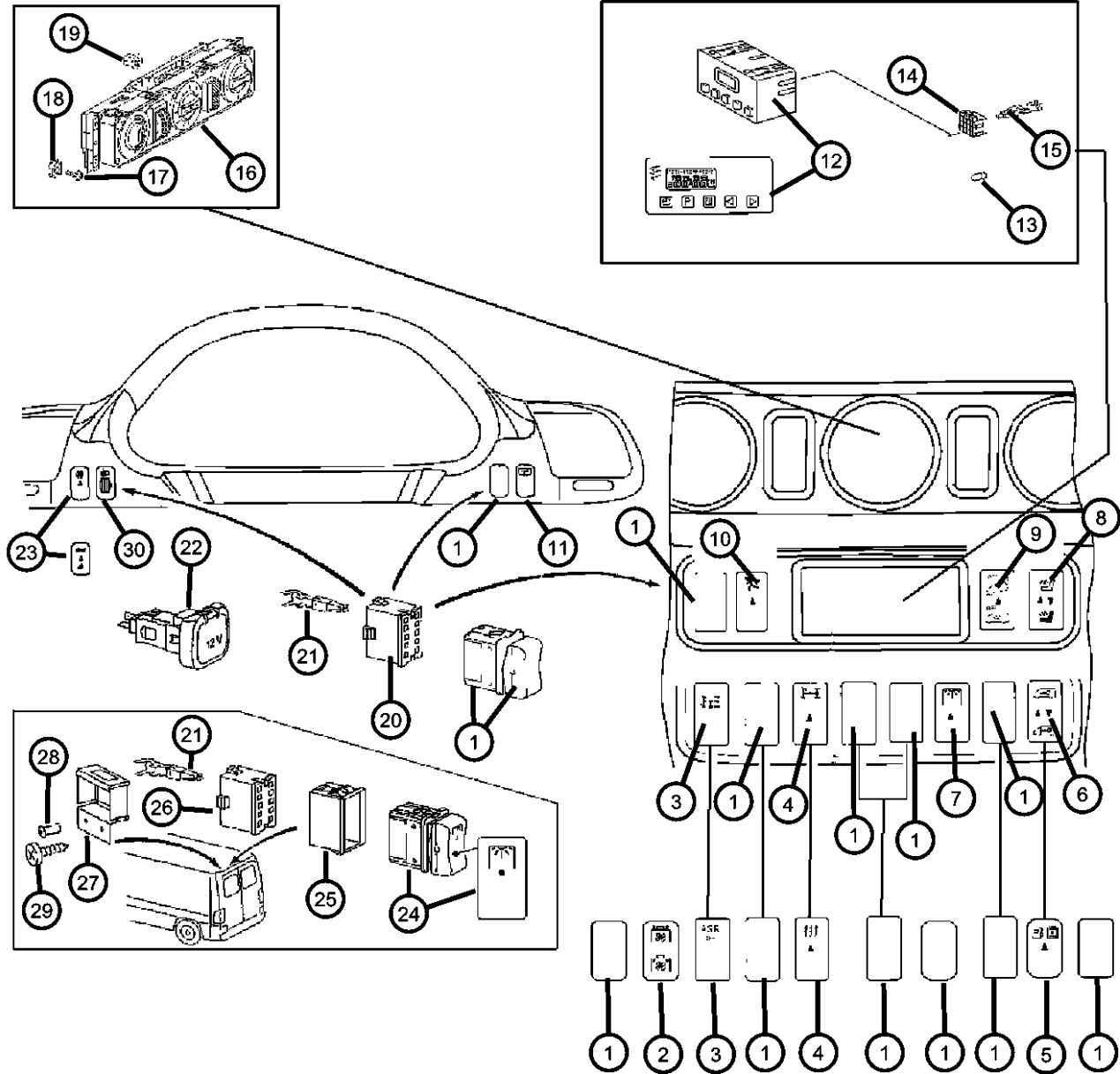
ENGINE

EX8 = 2.7L I5 Turbo Diesel Engine
 EX9 = 2.7L I5 Mercedes-Benz TD Engine

TRANSMISSION

DGJ = 5-Speed Automatic MB Transmission
 DGZ = 4-Spd. Automatic MT643 Transmission

Switches - Instrument Panel
Figure 8-805



ITEM	PART NUMBER	QTY	LINE	SERIES	BODY	ENGINE	TRANS	TRIM	DESCRIPTION
6	05103855AA	1	3, 7	L	12, 15, 16	EX8	DGZ		SWITCH, Central Locking
		1	2, 6	L	01, 02, 06	EX8	DGZ		
		1	2, 6	L	11, 12, 14, 15, 16	EX8	DGZ		
		1	2, 6	L	51, 52, 54, 55, 56	EX8	DGZ		
7	05103844AA	1	3, 7	L	02, 06	EX8	DGZ		SWITCH, Cargo Lamp
		1	3, 7	L	12, 15, 16	EX8	DGZ		
		1	2, 6	L	11, 12, 14, 15, 16	EX8	DGZ		
		1	3, 7	L	02, 06	EX8	DGZ		
8	05103854AA	1	2, 6	L	01, 02, 06	EX8	DGZ		SWITCH, Heated Seat
		1	2, 6	L	12, 15, 16	EX8	DGZ		
		2	2, 6	L	11, 12, 14, 15, 16	EX8	DGZ		
		2	2, 6	L	51, 52, 54, 55, 56	EX8	DGZ		
		2	2, 6	L	01, 02, 06	EX8	DGZ		
		2	3, 7	L	02, 06	EX8	DGZ		
9	05120465AA	2	3, 7	L	12, 15, 16	EX8	DGZ		SWITCH, Security Alarm
		1	2, 6	L	01, 02, 06	EX8	DGZ		
		1	2, 6	L	11, 12, 14, 15, 16	EX8	DGZ		
		1	2, 6	L	51, 52, 54, 55, 56	EX8	DGZ		
		1	3, 7	L	02, 06	EX8	DGZ		
		1	3, 7	L	12, 15, 16	EX8	DGZ		

SPRINTER (VA)

SERIES
L = LOWLINE

LINE

3 = HD DODGE 2WD
8 = HD DODGE 4WD
6 = Lt. Duty DODGE 4WD
2 = Med. Duty DODGE 2WD
7 = Med. Duty DODGE 4WD
4 = TRUCK

BODY

01 = CHASSIS FORWARD CONTROL W.B.1
02 = CAB CHASSIS WHEEL BASE 2
06 = CAB CHASSIS WHEEL BASE 6
11 = VAN WHEEL BASE 1
12 = VAN WHEEL BASE 2
51 = WAGON WHEEL BASE 1
52 = WAGON WHEEL BASE 2
14 = VAN WHEEL BASE 4
15 = VAN WHEEL BASE 5
54 = WAGON WHEEL BASE 4
55 = WAGON WHEEL BASE 5
56 = WAGON WHEEL BASE 6
16 = VAN WHEEL BASE 6

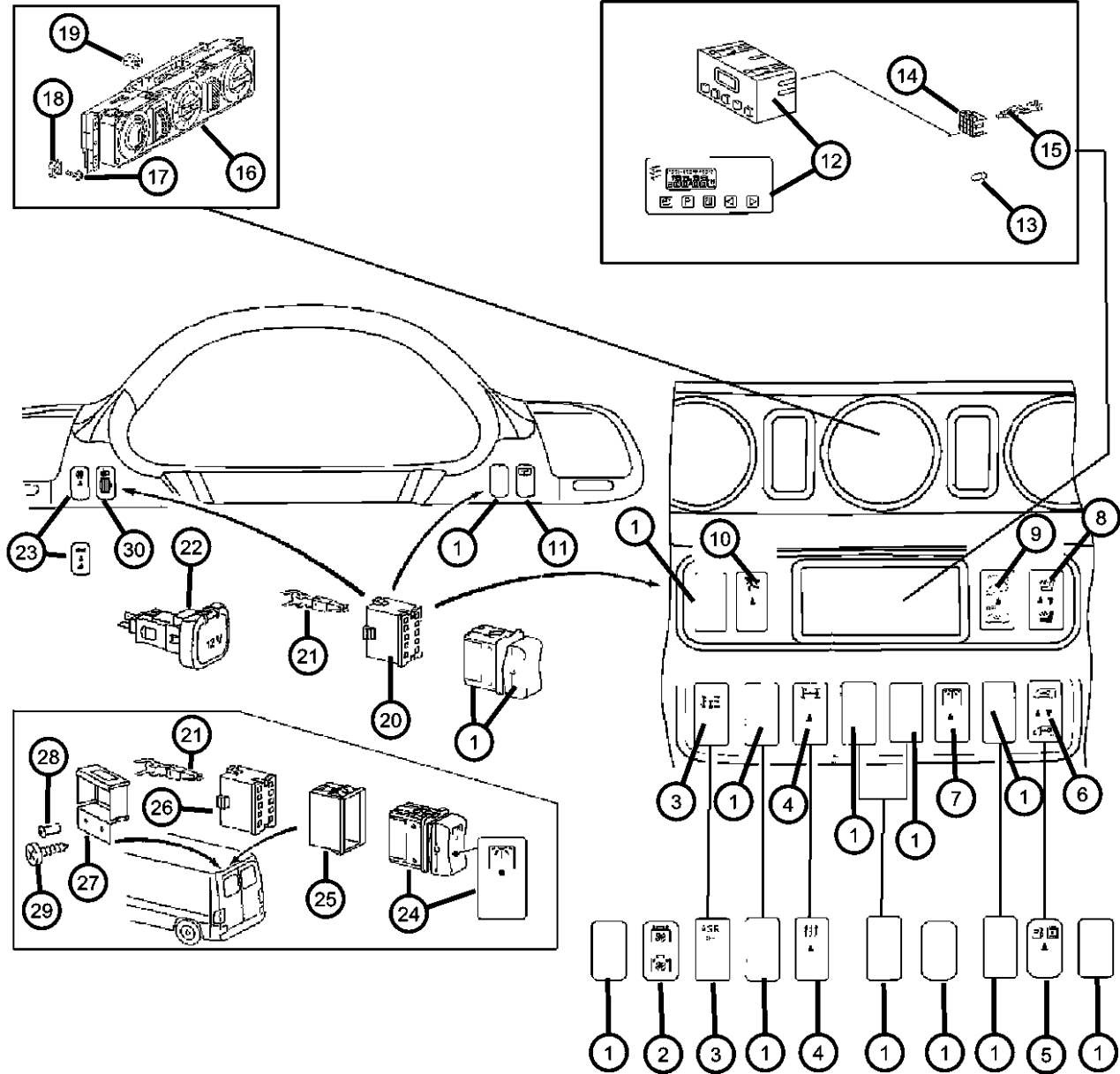
ENGINE

EX8 = 2.7L I5 Turbo Diesel Engine
EX9 = 2.7L I5 Mercedes-Benz TD Engine

TRANSMISSION

DGJ = 5-Speed Automatic MB Transmission
DGZ = 4-Spd. Automatic MT643 Transmission

Switches - Instrument Panel
Figure 8-805



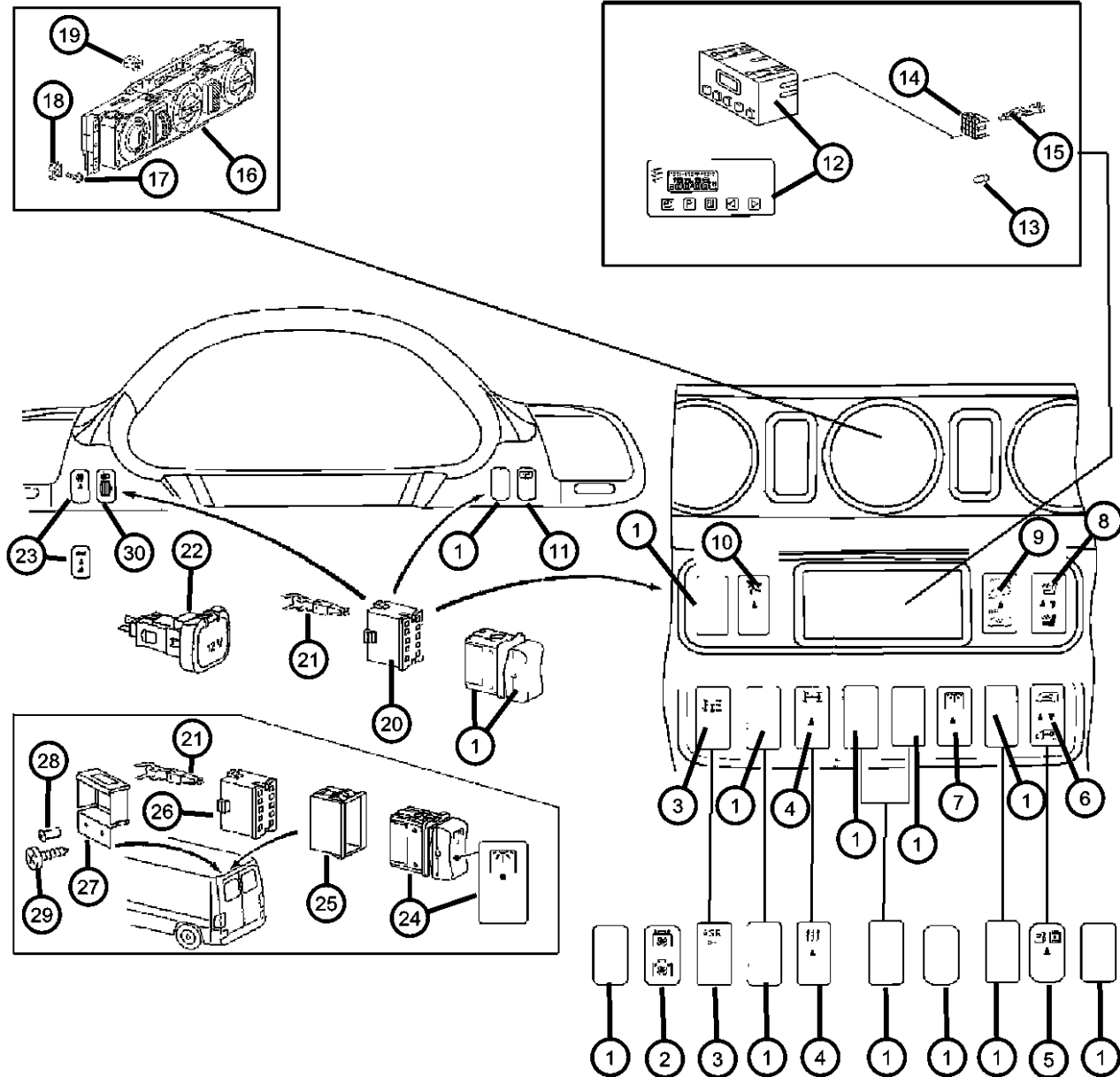
ITEM	PART NUMBER	QTY	LINE	SERIES	BODY	ENGINE	TRANS	TRIM	DESCRIPTION
10	05120466AA	1	2, 6	L	11, 12, 14, 15, 16	EX8	DGZ		SWITCH, Security Alarm
		1	2, 6	L	51, 52, 54, 55, 56	EX8	DGZ		
		1	3, 7	L	02, 06	EX8	DGZ		
		1	2, 6	L	01, 02, 06	EX8	DGZ		
		1	3, 7	L	12, 15, 16	EX8	DGZ		
11	05120438AA	1	2, 6	L	11, 12, 14, 15, 16	EX8	DGZ		SWITCH, Defogger
		1	2, 6	L	51, 52, 54, 55, 56	EX8	DGZ		
		1	3, 7	L	12, 15, 16	EX8	DGZ		
12	05120301AA	1	2, 6	L	01, 02, 06	EX8	DGZ		CLOCK
		1	2, 6	L	11, 12, 14, 15, 16	EX8	DGZ		
		1	2, 6	L	51, 52, 54, 55, 56	EX8	DGZ		
		1	3, 7	L	02, 06	EX8	DGZ		
		1	3, 7	L	12, 15, 16	EX8	DGZ		
13	05133469AA	1	2, 6	L	51, 52, 54, 55, 56	EX8	DGZ		BULB, 12V 1.5W
		1	3, 7	L	02, 06	EX8	DGZ		
		1	2, 6	L	01, 02, 06	EX8	DGZ		
		1	2, 6	L	11, 12, 14, 15, 16	EX8	DGZ		
		1	3, 7	L	12, 15, 16	EX8	DGZ		
14	05120552AA	1	2, 6	L	01, 02, 06	EX8	DGZ		CONNECTOR

SPRINTER (VA)

SERIES	LINE	BODY	ENGINE	TRANSMISSION
L = LOWLINE	3 = HD DODGE 2WD 8 = HD DODGE 4WD 6 = Lt. Duty DODGE 4WD 2 = Med. Duty DODGE 2WD 7 = Med. Duty DODGE 4WD 4 = TRUCK	01 = CHASSIS FORWARD CONTROL W.B.1 02 = CAB CHASSIS WHEEL BASE 2 06 = CAB CHASSIS WHEEL BASE 6 11 = VAN WHEEL BASE 1 12 = VAN WHEEL BASE 2 51 = WAGON WHEEL BASE 1 52 = WAGON WHEEL BASE 2 14 = VAN WHEEL BASE 4 15 = VAN WHEEL BASE 5 54 = WAGON WHEEL BASE 4 55 = WAGON WHEEL BASE 5 56 = WAGON WHEEL BASE 6 16 = VAN WHEEL BASE 6	EX8 = 2.7L I5 Turbo Diesel Engine EX9 = 2.7L I5 Mercedes-Benz TD Engine	DGJ = 5-Speed Automatic MB Transmission DGZ = 4-Spd. Automatic MT643 Transmission

AR = use ase required - = Non illustrated part

Switches - Instrument Panel
Figure 8-805



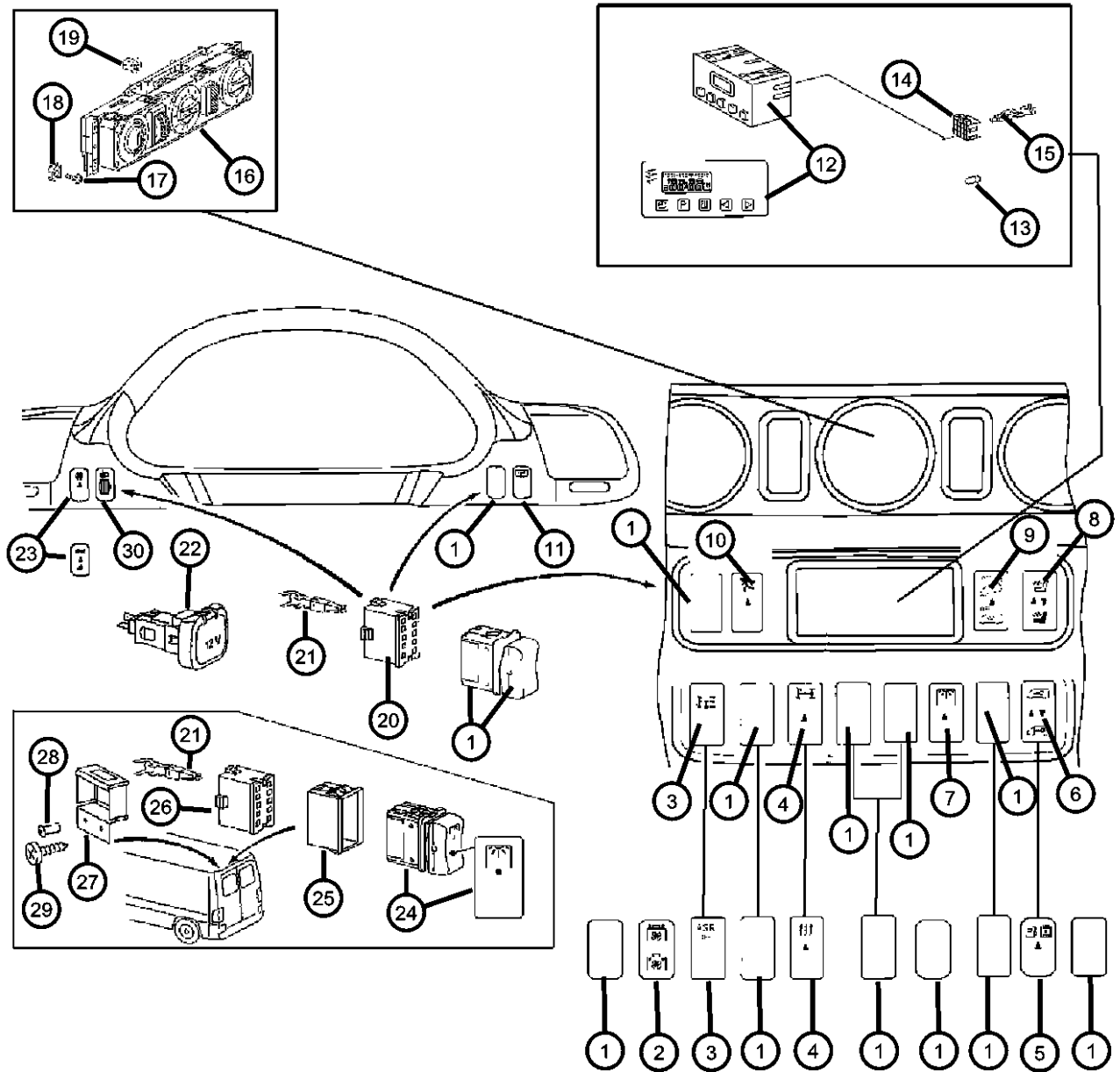
ITEM	PART NUMBER	QTY	LINE	SERIES	BODY	ENGINE	TRANS	TRIM	DESCRIPTION
		1	2, 6	L	11, 12, 14, 15, 16	EX8	DGZ		
		1	2, 6	L	51, 52, 54, 55, 56	EX8	DGZ		
		1	3, 7	L	02, 06	EX8	DGZ		
		1	3, 7	L	12, 15, 16	EX8	DGZ		
15	05103881AA	99	2, 6	L	01, 02, 06	EX8	DGZ		TERMINAL
		99	2, 6	L	11, 12, 14, 15, 16	EX8	DGZ		
		99	2, 6	L	51, 52, 54, 55, 56	EX8	DGZ		
		99	3, 7	L	02, 06	EX8	DGZ		
		99	3, 7	L	12, 15, 16	EX8	DGZ		
16	05103644AA	1	2, 6	L	11, 12, 14, 15, 16	EX8	DGZ		CONTROL, A/C And Heater [HAB,3JV]
	05103643AA	1	2, 6	L	01, 02, 06	EX8	DGZ		[HAB]
		1	2, 6	L	11, 12, 14, 15, 16	EX8	DGZ		[HAB]
		1	2, 6	L	51, 52, 54, 55, 56	EX8	DGZ		[HAB]
		1	3, 7	L	02, 06	EX8	DGZ		[HAB]
		1	3, 7	L	12, 15, 16	EX8	DGZ		[HAB]
		1	2, 6	L	01, 02, 06	EX8	DGZ		[HAB,3JV]
		1	2, 6	L	51, 52, 54, 55, 56	EX8	DGZ		[HAB,3JV]
		1	3, 7	L	02, 06	EX8	DGZ		[HAB,3JV]
		1	3, 7	L	12, 15, 16	EX8	DGZ		[HAB,3JV]
	05103690AA	1	2, 6	L	01, 02, 06	EX8	DGZ		
		1	2, 6	L	11, 12, 14, 15, 16	EX8	DGZ		

SPRINTER (VA)

SERIES	LINE	BODY	ENGINE	TRANSMISSION
L = LOWLINE	3 = HD DODGE 2WD 8 = HD DODGE 4WD 6 = Lt. Duty DODGE 4WD 2 = Med. Duty DODGE 2WD 7 = Med. Duty DODGE 4WD 4 = TRUCK	01 = CHASSIS FORWARD CONTROL W.B.1 02 = CAB CHASSIS WHEEL BASE 2 06 = CAB CHASSIS WHEEL BASE 6 11 = VAN WHEEL BASE 1 12 = VAN WHEEL BASE 2 51 = WAGON WHEEL BASE 1 52 = WAGON WHEEL BASE 2 14 = VAN WHEEL BASE 4 15 = VAN WHEEL BASE 5 54 = WAGON WHEEL BASE 4 55 = WAGON WHEEL BASE 5 56 = WAGON WHEEL BASE 6 16 = VAN WHEEL BASE 6	EX8 = 2.7L I5 Turbo Diesel Engine EX9 = 2.7L I5 Mercedes-Benz TD Engine	DGJ = 5-Speed Automatic MB Transmission DGZ = 4-Spd. Automatic MT643 Transmission

AR = use ase required - = Non illustrated part

Switches - Instrument Panel
Figure 8-805



ITEM	PART NUMBER	QTY	LINE	SERIES	BODY	ENGINE	TRANS	TRIM	DESCRIPTION
		1	2, 6	L	51, 52, 54, 55, 56	EX8	DGZ		
		1	3, 7	L	02, 06	EX8	DGZ		
		1	3, 7	L	12, 15, 16	EX8	DGZ		
17	06104610AA	2	2, 6	L	01, 02, 06	EX8	DGZ		SCREW
		2	2, 6	L	11, 12, 14, 15, 16	EX8	DGZ		
		2	2, 6	L	51, 52, 54, 55, 56	EX8	DGZ		
		2	3, 7	L	02, 06	EX8	DGZ		
		2	3, 7	L	12, 15, 16	EX8	DGZ		
18	05125861AA	2	2, 6	L	01, 02, 06	EX8	DGZ		NUT, Spring
		2	2, 6	L	11, 12, 14, 15, 16	EX8	DGZ		
		2	2, 6	L	51, 52, 54, 55, 56	EX8	DGZ		
		2	3, 7	L	12, 15, 16	EX8	DGZ		
		2	3, 7	L	02, 06	EX8	DGZ		
19	05133468AA	1	2, 6	L	01, 02, 06	EX8	DGZ		BULB
		1	2, 6	L	11, 12, 14, 15, 16	EX8	DGZ		
		1	2, 6	L	51, 52, 54, 55, 56	EX8	DGZ		
		1	3, 7	L	02, 06	EX8	DGZ		
		1	3, 7	L	12, 15, 16	EX8	DGZ		
20	05120633AA	99	2, 6	L	01, 02, 06	EX8	DGZ		CONNECTOR
		99	2, 6	L	11, 12, 14, 15, 16	EX8	DGZ		

SPRINTER (VA)

SERIES
L = LOWLINE

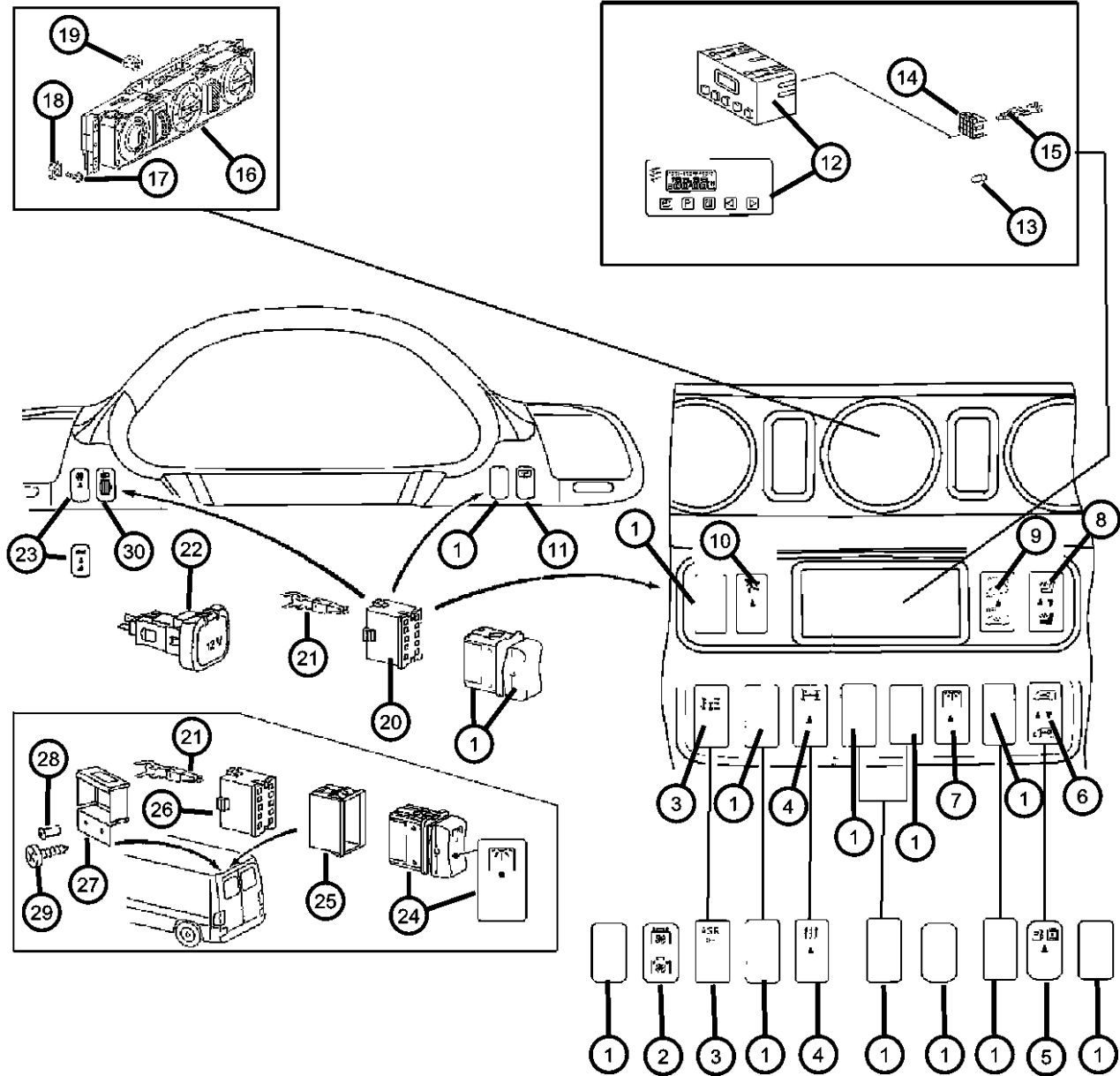
LINE
3 = HD DODGE 2WD
8 = HD DODGE 4WD
6 = Lt. Duty DODGE 4WD
2 = Med. Duty DODGE 2WD
7 = Med. Duty DODGE 4WD
4 = TRUCK

BODY
01 = CHASSIS FORWARD CONTROL W.B.1
02 = CAB CHASSIS WHEEL BASE 2
06 = CAB CHASSIS WHEEL BASE 6
11 = VAN WHEEL BASE 1
12 = VAN WHEEL BASE 2
51 = WAGON WHEEL BASE 1
52 = WAGON WHEEL BASE 2
14 = VAN WHEEL BASE 4
15 = VAN WHEEL BASE 5
54 = WAGON WHEEL BASE 4
55 = WAGON WHEEL BASE 5
56 = WAGON WHEEL BASE 6
16 = VAN WHEEL BASE 6

ENGINE
EX8 = 2.7L I5 Turbo Diesel Engine
EX9 = 2.7L I5 Mercedes-Benz TD Engine

TRANSMISSION
DGJ = 5-Speed Automatic MB Transmission
DGZ = 4-Spd. Automatic MT643 Transmission

Switches - Instrument Panel
Figure 8-805



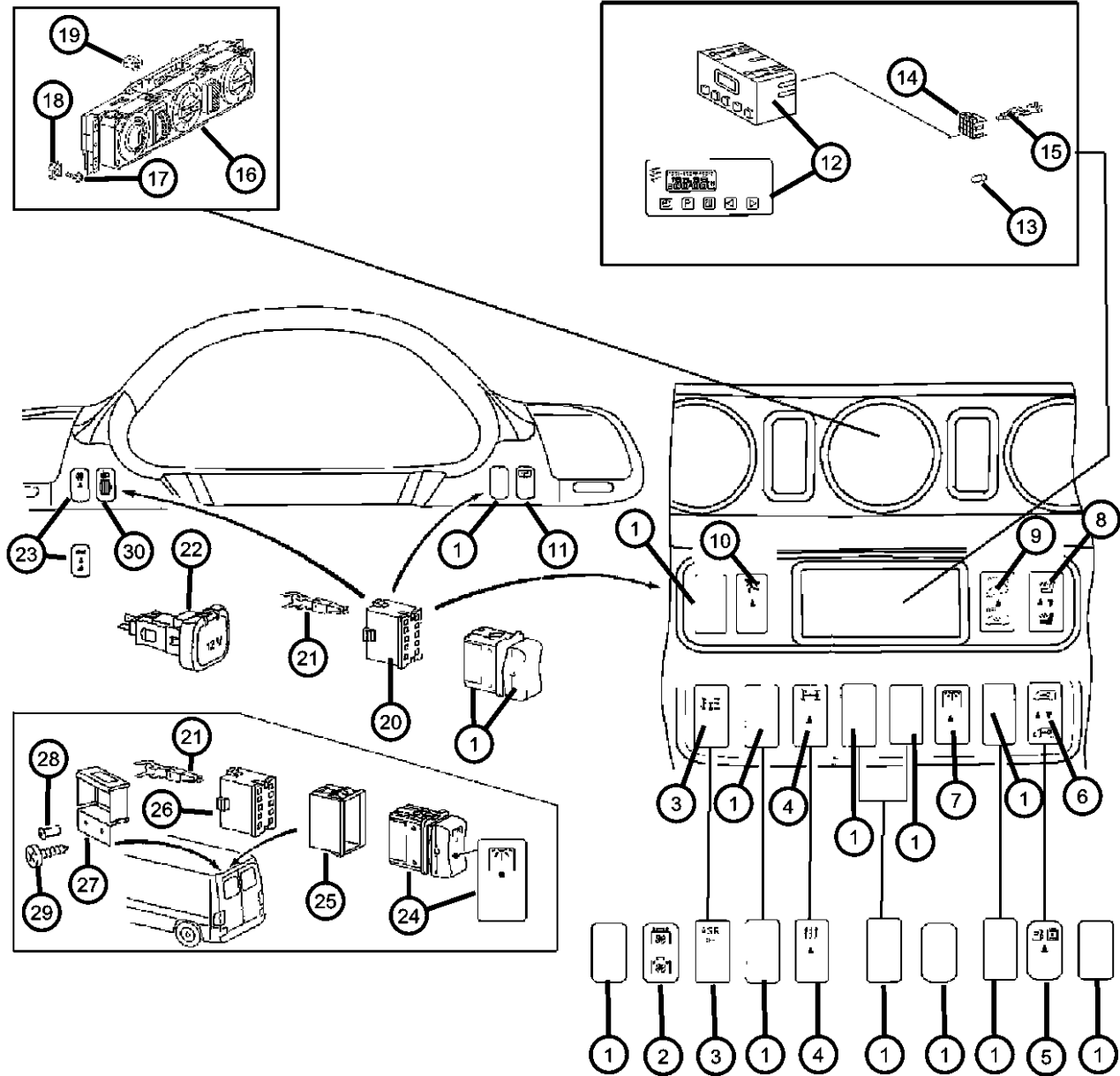
ITEM	PART NUMBER	QTY	LINE	SERIES	BODY	ENGINE	TRANS	TRIM	DESCRIPTION
		99	2, 6	L	51, 52, 54, 55, 56	EX8	DGZ		
		99	3, 7	L	02, 06	EX8	DGZ		
		99	3, 7	L	12, 15, 16	EX8	DGZ		
21	05103882AA	99	2, 6	L	01, 02, 06	EX8	DGZ		TERMINAL
		99	2, 6	L	11, 12, 14, 15, 16	EX8	DGZ		
		99	2, 6	L	51, 52, 54, 55, 56	EX8	DGZ		
		1	3, 7	L	02, 06	EX8	DGZ		
		1	3, 7	L	12, 15, 16	EX8	DGZ		
22	05103907AA	1	2, 6	L	11, 12, 14, 15, 16	EX8	DGZ		CONTROL, Air Conditioning
		1	2, 6	L	51, 52, 54, 55, 56	EX8	DGZ		
		1	3, 7	L	12, 15, 16	EX8	DGZ		
23	05103864AA	1	2, 6	L	01, 02, 06	EX8	DGZ		SWITCH, Fog Lamp
		1	3, 7	L	02, 06	EX8	DGZ		
		1	3, 7	L	12, 15, 16	EX8	DGZ		
		1	2, 6	L	11, 12, 14, 15, 16	EX8	DGZ		
		1	2, 6	L	51, 52, 54, 55, 56	EX8	DGZ		
24	05103844AA	1	2, 6	L	11, 12, 14, 15, 16	EX8	DGZ		SWITCH, Cargo Lamp
		1	3, 7	L	02, 06	EX8	DGZ		
		1	3, 7	L	12, 15, 16	EX8	DGZ		
25									HOUSING, Switch

SPRINTER (VA)

SERIES	LINE	BODY	ENGINE	TRANSMISSION
L = LOWLINE	3 = HD DODGE 2WD 8 = HD DODGE 4WD 6 = Lt. Duty DODGE 4WD 2 = Med. Duty DODGE 2WD 7 = Med. Duty DODGE 4WD 4 = TRUCK	01 = CHASSIS FORWARD CONTROL W.B.1 02 = CAB CHASSIS WHEEL BASE 2 06 = CAB CHASSIS WHEEL BASE 6 11 = VAN WHEEL BASE 1 12 = VAN WHEEL BASE 2 51 = WAGON WHEEL BASE 1 52 = WAGON WHEEL BASE 2 14 = VAN WHEEL BASE 4 15 = VAN WHEEL BASE 5 54 = WAGON WHEEL BASE 4 55 = WAGON WHEEL BASE 5 56 = WAGON WHEEL BASE 6 16 = VAN WHEEL BASE 6	EX8 = 2.7L I5 Turbo Diesel Engine EX9 = 2.7L I5 Mercedes-Benz TD Engine	DGJ = 5-Speed Automatic MB Transmission DGZ = 4-Spd. Automatic MT643 Transmission

AR = use ase required - = Non illustrated part

Switches - Instrument Panel
Figure 8-805



ITEM	PART NUMBER	QTY	LINE	SERIES	BODY	ENGINE	TRANS	TRIM	DESCRIPTION
	05120247AA	2	3, 7	L	12, 15, 16	EX8	DGZ		
		2	2, 6	L	11, 12, 14, 15, 16	EX8	DGZ		
26	05120596AA	1	2, 6	L	11, 12, 14, 15, 16	EX8	DGZ		CONNECTOR
		2	3, 7	L	12, 15, 16	EX8	DGZ		
27	05104354AA	2	2, 6	L	51, 52, 54, 55, 56	EX8	DGZ		COVER, Switch
		2	3, 7	L	02, 06	EX8	DGZ		
		2	3, 7	L	12, 15, 16	EX8	DGZ		
		2	2, 6	L	01, 02, 06	EX8	DGZ		
		2	2, 6	L	11, 12, 14, 15, 16	EX8	DGZ		
28									RIVET
	05103838AA	4	2, 6	L	01, 02, 06	EX8	DGZ		
		4	2, 6	L	11, 12, 14, 15, 16	EX8	DGZ		
		4	2, 6	L	51, 52, 54, 55, 56	EX8	DGZ		
		4	3, 7	L	02, 06	EX8	DGZ		
		4	3, 7	L	12, 15, 16	EX8	DGZ		
29									SCREW
	05126272AA	1	2, 6	L	11, 12, 14, 15, 16	EX8	DGZ		
		1	2, 6	L	51, 52, 54, 55, 56	EX8	DGZ		
		1	3, 7	L	12, 15, 16	EX8	DGZ		
30									SWITCH, Headlamp Leveling
	05103658AA	1	2, 6	L	01, 02, 06	EX8	DGZ		

SPRINTER (VA)

SERIES
L = LOWLINE

LINE

3 = HD DODGE 2WD
8 = HD DODGE 4WD
6 = Lt. Duty DODGE 4WD
2 = Med. Duty DODGE 2WD
7 = Med. Duty DODGE 4WD
4 = TRUCK

BODY

01 = CHASSIS FORWARD CONTROL W.B.1
02 = CAB CHASSIS WHEEL BASE 2
06 = CAB CHASSIS WHEEL BASE 6
11 = VAN WHEEL BASE 1
12 = VAN WHEEL BASE 2
51 = WAGON WHEEL BASE 1
52 = WAGON WHEEL BASE 2
14 = VAN WHEEL BASE 4
15 = VAN WHEEL BASE 5
54 = WAGON WHEEL BASE 4
55 = WAGON WHEEL BASE 5
56 = WAGON WHEEL BASE 6
16 = VAN WHEEL BASE 6

ENGINE

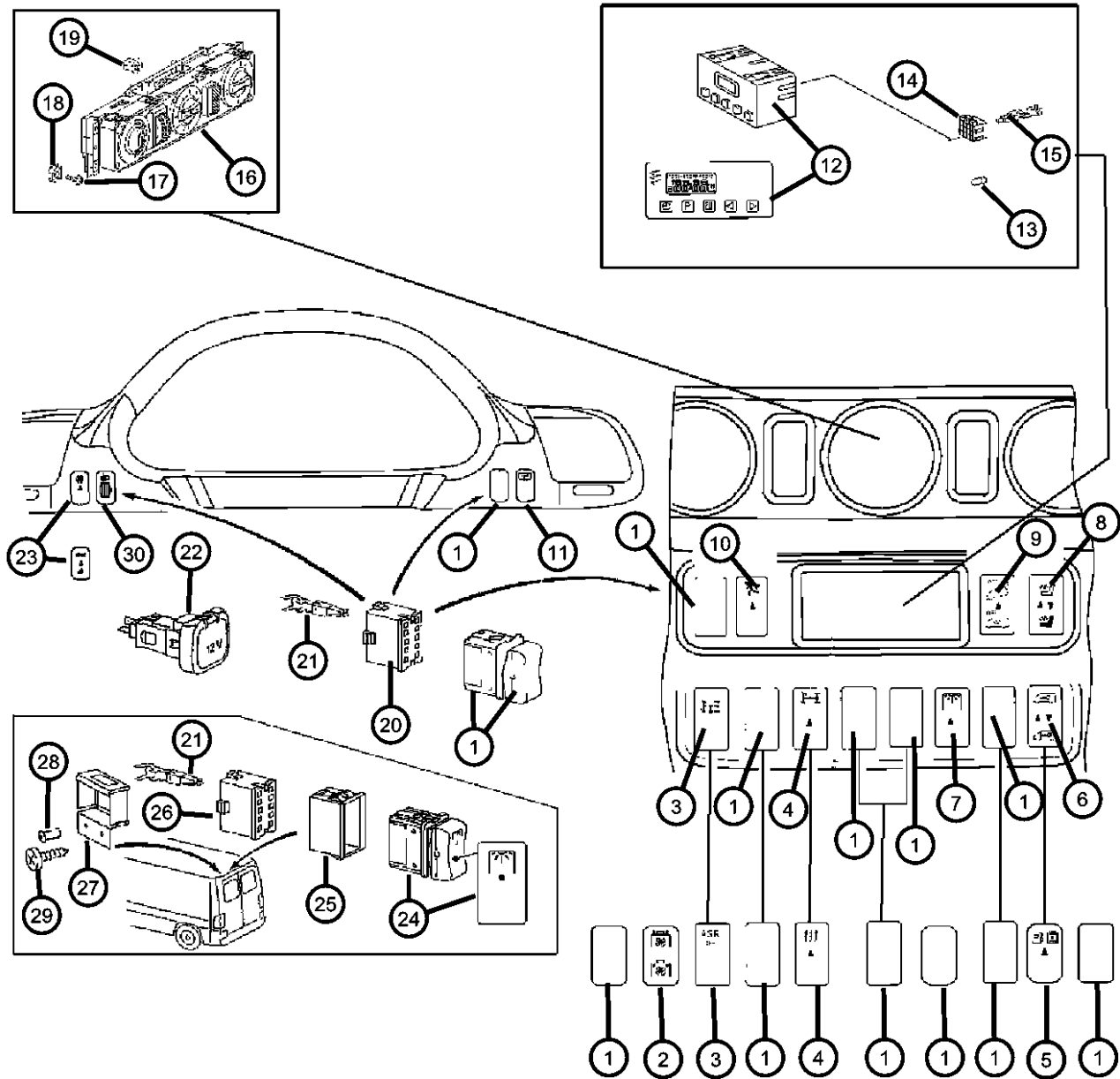
EX8 = 2.7L I5 Turbo Diesel Engine
EX9 = 2.7L I5 Mercedes-Benz TD Engine

TRANSMISSION

DGJ = 5-Speed Automatic MB Transmission
DGZ = 4-Spd. Automatic MT643 Transmission

Switches - Instrument Panel
Figure 8-805

ITEM	PART NUMBER	QTY	LINE	SERIES	BODY	ENGINE	TRANS	TRIM	DESCRIPTION
		1	2, 6	L	11, 12, 14, 15, 16	EX8	DGZ		
		1	2, 6	L	51, 52, 54, 55, 56	EX8	DGZ		
		1	3, 7	L	02, 06	EX8	DGZ		
		1	3, 7	L	12, 15, 16	EX8	DGZ		



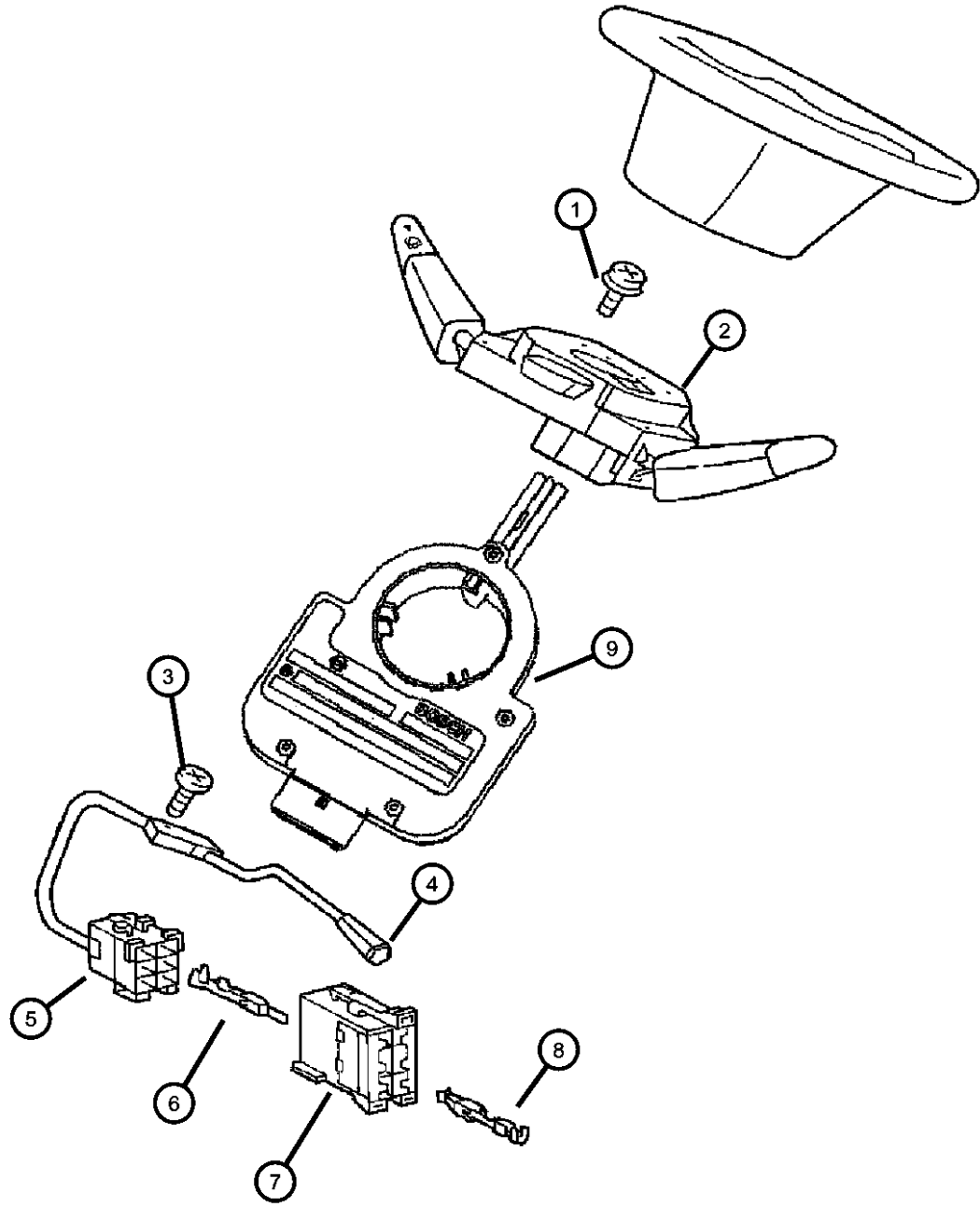
SPRINTER (VA)

SERIES	LINE	BODY	ENGINE	TRANSMISSION
L = LOWLINE	3 = HD DODGE 2WD 8 = HD DODGE 4WD 6 = Lt. Duty DODGE 4WD 2 = Med. Duty DODGE 2WD 7 = Med. Duty DODGE 4WD 4 = TRUCK	01 = CHASSIS FORWARD CONTROL W.B.1 02 = CAB CHASSIS WHEEL BASE 2 06 = CAB CHASSIS WHEEL BASE 6 11 = VAN WHEEL BASE 1 12 = VAN WHEEL BASE 2 51 = WAGON WHEEL BASE 1 52 = WAGON WHEEL BASE 2 14 = VAN WHEEL BASE 4 15 = VAN WHEEL BASE 5 54 = WAGON WHEEL BASE 4 55 = WAGON WHEEL BASE 5 56 = WAGON WHEEL BASE 6 16 = VAN WHEEL BASE 6	EX8 = 2.7L I5 Turbo Diesel Engine EX9 = 2.7L I5 Mercedes-Benz TD Engine	DGJ = 5-Speed Automatic MB Transmission DGZ = 4-Spd. Automatic MT643 Transmission

AR = use ase required - = Non illustrated part

Switches -Steering Column
Figure 8-810

ITEM	PART NUMBER	QTY	LINE	SERIES	BODY	ENGINE	TRANS	TRIM	DESCRIPTION
1									SCREW
	05104636AA	2	2, 6	L	01, 02, 06	EX8	DGZ		
		2	2, 6	L	11, 12, 14, 15, 16	EX8	DGZ		
		2	2, 6	L	51, 52, 54, 55, 56	EX8	DGZ		
		2	3, 7	L	02, 06	EX8	DGZ		
		2	3, 7	L	12, 15, 16	EX8	DGZ		
2									SWITCH, Steering column
	05103539AA	1	2, 6	L	06	EX8	DGZ		[5AF]
		1	2, 6	L	16	EX8	DGZ		[5AF]
		1	2, 6	L	56	EX8	DGZ		[5AF]
		1	3, 7	L	02	EX8	DGZ		[5AF]
		1	3, 7	L	06	EX8	DGZ		[5AF]
		1	3, 7	L	16	EX8	DGZ		[5AF]
	05103745AA	1	2, 6	L	51, 52, 54, 55	EX8	DGZ		[4E9]
		1	3, 7	L	12, 15	EX8	DGZ		[4E9]
		1	2, 6	L	01, 02	EX8	DGZ		[4E9]
		1	2, 6	L	11, 12, 14, 15	EX8	DGZ		[4E9]
3									SCREW
	05126175AA	1	2, 6	L	01, 02, 06	EX8	DGZ		
		1	2, 6	L	11, 12, 14, 15, 16	EX8	DGZ		
		1	2, 6	L	51, 52, 54, 55, 56	EX8	DGZ		
		1	3, 7	L	02, 06	EX8	DGZ		
		1	3, 7	L	12, 15, 16	EX8	DGZ		
4									SWITCH, Speed Control
	05103744AA	1	2, 6	L	01, 02, 06	EX8	DGZ		



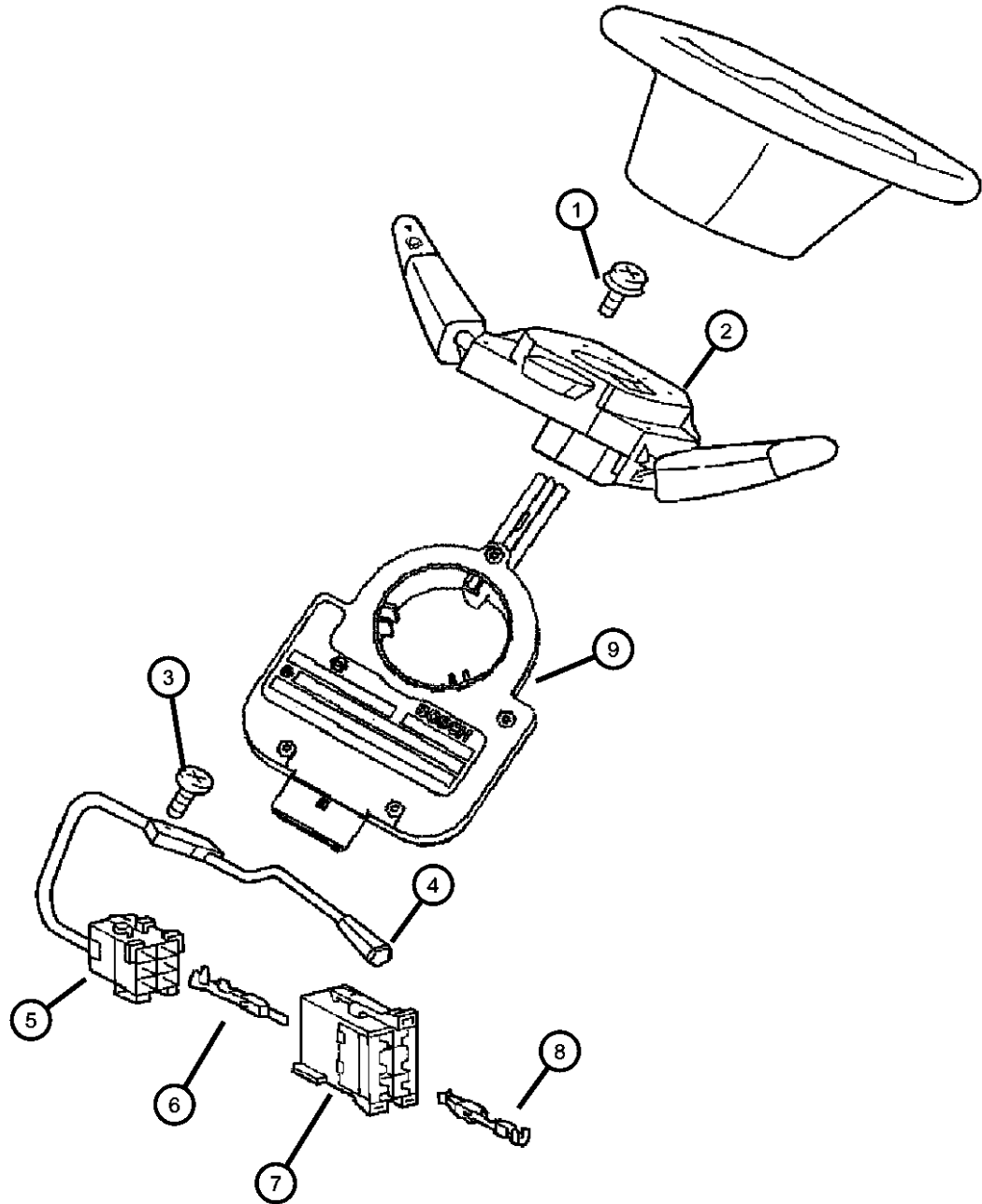
SPRINTER (VA)

SERIES	LINE	BODY	ENGINE	TRANSMISSION
L = LOWLINE	3 = HD DODGE 2WD 8 = HD DODGE 4WD 6 = Lt. Duty DODGE 4WD 2 = Med. Duty DODGE 2WD 7 = Med. Duty DODGE 4WD 4 = TRUCK	01 = CHASSIS FORWARD CONTROL W.B.1 02 = CAB CHASSIS WHEEL BASE 2 06 = CAB CHASSIS WHEEL BASE 6 11 = VAN WHEEL BASE 1 12 = VAN WHEEL BASE 2 51 = WAGON WHEEL BASE 1 52 = WAGON WHEEL BASE 2 14 = VAN WHEEL BASE 4 15 = VAN WHEEL BASE 5 54 = WAGON WHEEL BASE 4 55 = WAGON WHEEL BASE 5 56 = WAGON WHEEL BASE 6 16 = VAN WHEEL BASE 6	EX8 = 2.7L I5 Turbo Diesel Engine EX9 = 2.7L I5 Mercedes-Benz TD Engine	DGJ = 5-Speed Automatic MB Transmission DGZ = 4-Spd. Automatic MT643 Transmission

AR = use ase required - = Non illustrated part

Switches -Steering Column
Figure 8-810

ITEM	PART NUMBER	QTY	LINE	SERIES	BODY	ENGINE	TRANS	TRIM	DESCRIPTION
		1	2, 6	L	11, 12, 14, 15, 16	EX8	DGZ		
		1	2, 6	L	51, 52, 54, 55, 56	EX8	DGZ		
		1	3, 7	L	02, 06	EX8	DGZ		
		1	3, 7	L	12, 15, 16	EX8	DGZ		
5									INSULATOR, 6 Way
	05120792AA	1	3, 7	L	02, 06	EX8	DGZ		
		1	3, 7	L	12, 15, 16	EX8	DGZ		
		1	2, 6	L	01, 02, 06	EX8	DGZ		
		1	2, 6	L	11, 12, 14, 15, 16	EX8	DGZ		
		1	2, 6	L	51, 52, 54, 55, 56	EX8	DGZ		
6									TERMINAL, Male
	05103909AA	99	2, 6	L	01, 02, 06	EX8	DGZ		
		99	2, 6	L	11, 12, 14, 15, 16	EX8	DGZ		
		99	2, 6	L	51, 52, 54, 55, 56	EX8	DGZ		
		99	3, 7	L	02, 06	EX8	DGZ		
		99	3, 7	L	12, 15, 16	EX8	DGZ		
7									CONNECTOR
	05120786AA	1	2, 6	L	01, 02, 06	EX8	DGZ		
		1	2, 6	L	11, 12, 14, 15, 16	EX8	DGZ		
		1	2, 6	L	51, 52, 54, 55, 56	EX8	DGZ		
		1	3, 7	L	02, 06	EX8	DGZ		
		1	3, 7	L	12, 15, 16	EX8	DGZ		
8									TERMINAL
	05133478AA	99	2, 6	L	01, 02, 06	EX8	DGZ		



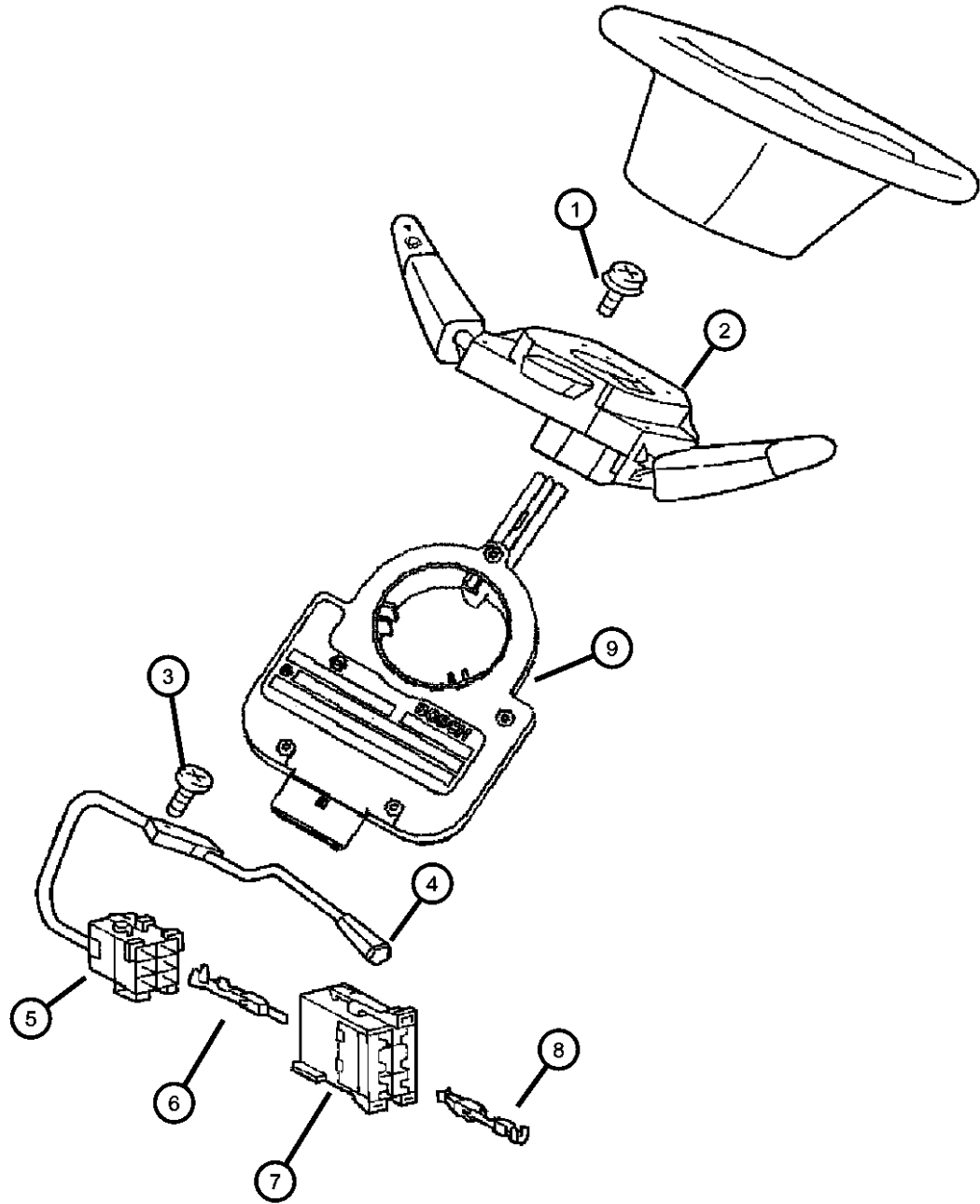
SPRINTER (VA)

SERIES	LINE	BODY	ENGINE	TRANSMISSION
L = LOWLINE	3 = HD DODGE 2WD 8 = HD DODGE 4WD 6 = Lt. Duty DODGE 4WD 2 = Med. Duty DODGE 2WD 7 = Med. Duty DODGE 4WD 4 = TRUCK	01 = CHASSIS FORWARD CONTROL W.B.1 02 = CAB CHASSIS WHEEL BASE 2 06 = CAB CHASSIS WHEEL BASE 6 11 = VAN WHEEL BASE 1 12 = VAN WHEEL BASE 2 51 = WAGON WHEEL BASE 1 52 = WAGON WHEEL BASE 2 14 = VAN WHEEL BASE 4 15 = VAN WHEEL BASE 5 54 = WAGON WHEEL BASE 4 55 = WAGON WHEEL BASE 5 56 = WAGON WHEEL BASE 6 16 = VAN WHEEL BASE 6	EX8 = 2.7L I5 Turbo Diesel Engine EX9 = 2.7L I5 Mercedes-Benz TD Engine	DGJ = 5-Speed Automatic MB Transmission DGZ = 4-Spd. Automatic MT643 Transmission

AR = use ase required - = Non illustrated part

Switches -Steering Column
Figure 8-810

ITEM	PART NUMBER	QTY	LINE	SERIES	BODY	ENGINE	TRANS	TRIM	DESCRIPTION
		99	2, 6	L	11, 12, 14, 15, 16	EX8	DGZ		
		99	2, 6	L	51, 52, 54, 55, 56	EX8	DGZ		
		99	3, 7	L	02, 06	EX8	DGZ		
		99	3, 7	L	12, 15, 16	EX8	DGZ		
9									SENSOR, Steering Wheel Angle
	05129606AA	1	2, 6	L	01, 02, 06	EX8	DGZ		
		1	2, 6	L	11, 12, 14, 15, 16	EX8	DGZ		
		1	2, 6	L	51, 52, 54, 55, 56	EX8	DGZ		



SPRINTER (VA)

SERIES
L = LOWLINE

LINE

3 = HD DODGE 2WD
8 = HD DODGE 4WD
6 = Lt. Duty DODGE 4WD
2 = Med. Duty DODGE 2WD
7 = Med. Duty DODGE 4WD
4 = TRUCK

BODY

01 = CHASSIS FORWARD CONTROL W.B.1
02 = CAB CHASSIS WHEEL BASE 2
06 = CAB CHASSIS WHEEL BASE 6
11 = VAN WHEEL BASE 1
12 = VAN WHEEL BASE 2
51 = WAGON WHEEL BASE 1
52 = WAGON WHEEL BASE 2
14 = VAN WHEEL BASE 4
15 = VAN WHEEL BASE 5
54 = WAGON WHEEL BASE 4
55 = WAGON WHEEL BASE 5
56 = WAGON WHEEL BASE 6
16 = VAN WHEEL BASE 6

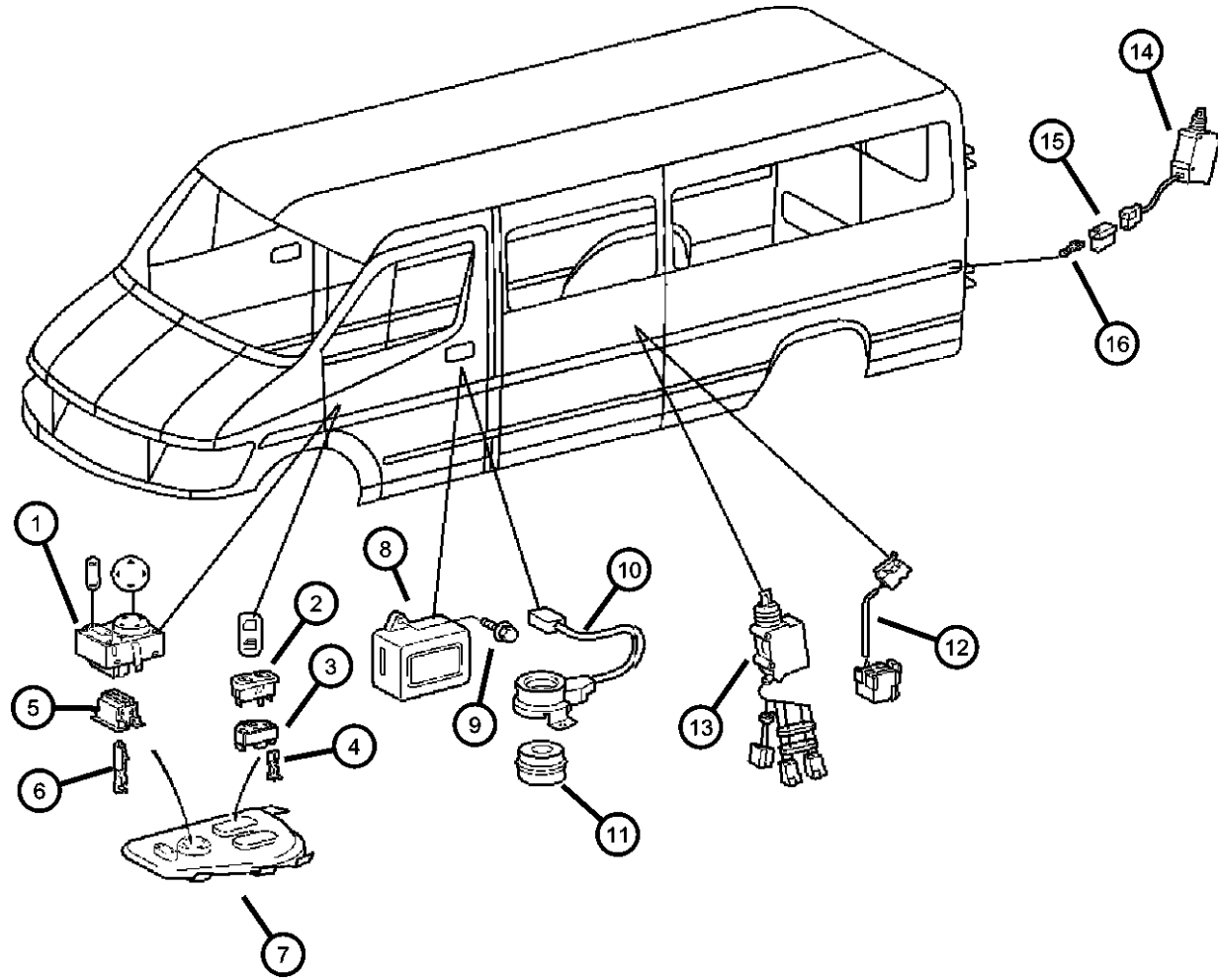
ENGINE

EX8 = 2.7L I5 Turbo Diesel Engine
EX9 = 2.7L I5 Mercedes-Benz TD Engine

TRANSMISSION

DGJ = 5-Speed Automatic MB Transmission
DGZ = 4-Spd. Automatic MT643 Transmission

Switches - Doors
Figure 8-815



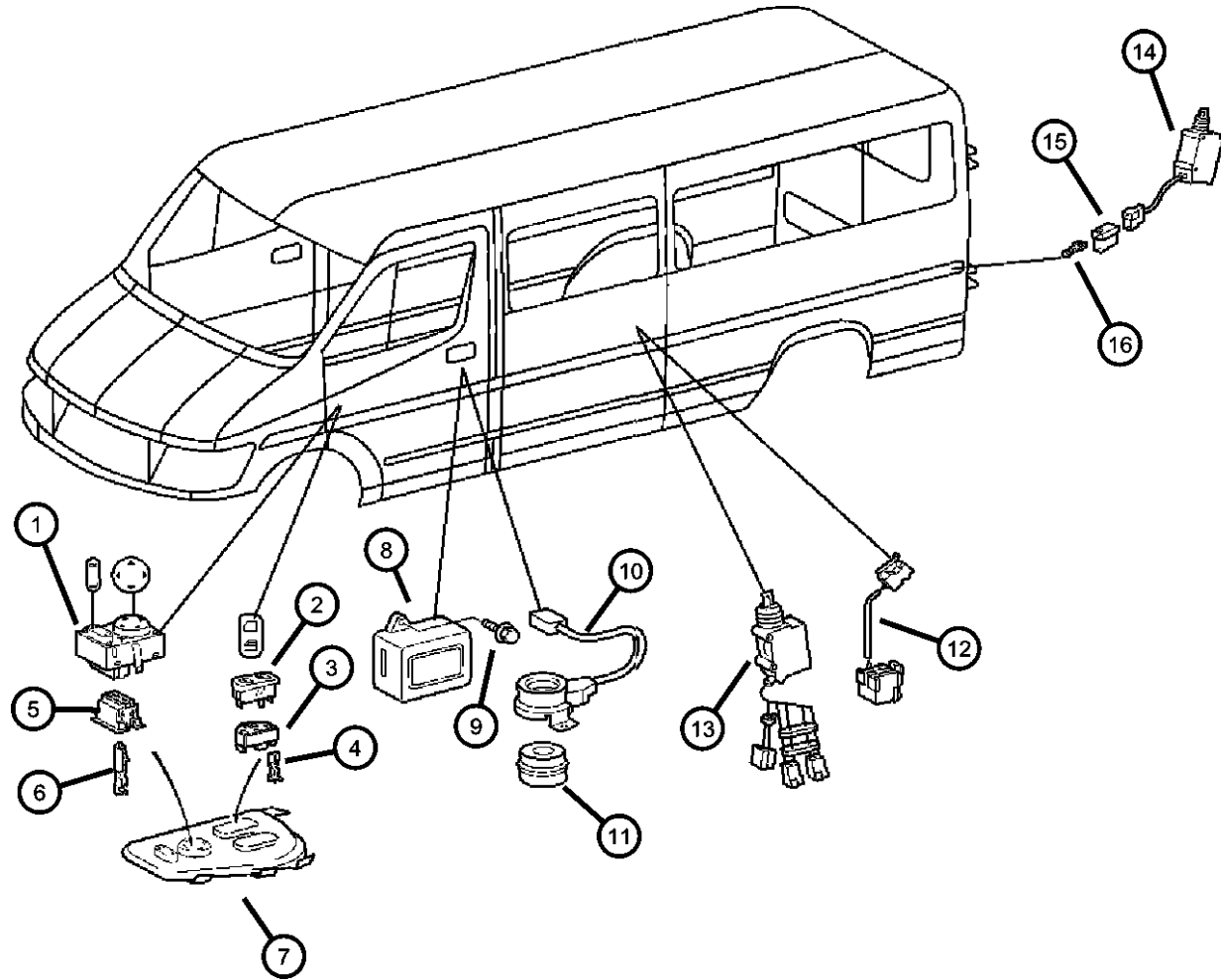
ITEM	PART NUMBER	QTY	LINE	SERIES	BODY	ENGINE	TRANS	TRIM	DESCRIPTION
1	05103845AA	1	3, 7	L	02, 06	EX8	DGZ		SWITCH, Mirror [GTB]
		1	3, 7	L	12, 15, 16	EX8	DGZ		[GTB]
		1	2, 6	L	01, 02, 06	EX8	DGZ		[GTB]
		1	2, 6	L	11, 12, 14, 15, 16	EX8	DGZ		[GTB]
		1	2, 6	L	51, 52, 54, 55, 56	EX8	DGZ		[GTB]
2	05103856AA	2	2, 6	L	01, 02, 06	EX8	DGZ		SWITCH, Power Window
		2	2, 6	L	11, 12, 14, 15, 16	EX8	DGZ		
		2	2, 6	L	51, 52, 54, 55, 56	EX8	DGZ		
		2	3, 7	L	02, 06	EX8	DGZ		
		2	3, 7	L	12, 15, 16	EX8	DGZ		
3	05120604AA	1	2, 6	L	01, 02, 06	EX8	DGZ		CONNECTOR
		1	2, 6	L	11, 12, 14, 15, 16	EX8	DGZ		
		1	2, 6	L	51, 52, 54, 55, 56	EX8	DGZ		
		1	3, 7	L	02, 06	EX8	DGZ		
		1	3, 7	L	12, 15, 16	EX8	DGZ		
4	05133519AA	99	2, 6	L	51, 52, 54, 55, 56	EX8	DGZ		TERMINAL, Female
		99	3, 7	L	02, 06	EX8	DGZ		
		99	3, 7	L	12, 15, 16	EX8	DGZ		
		99	2, 6	L	01, 02, 06	EX8	DGZ		
		99	2, 6	L	11, 12, 14, 15, 16	EX8	DGZ		

SPRINTER (VA)

SERIES	LINE	BODY	ENGINE	TRANSMISSION
L = LOWLINE	3 = HD DODGE 2WD 8 = HD DODGE 4WD 6 = Lt. Duty DODGE 4WD 2 = Med. Duty DODGE 2WD 7 = Med. Duty DODGE 4WD 4 = TRUCK	01 = CHASSIS FORWARD CONTROL W.B.1 02 = CAB CHASSIS WHEEL BASE 2 06 = CAB CHASSIS WHEEL BASE 6 11 = VAN WHEEL BASE 1 12 = VAN WHEEL BASE 2 51 = WAGON WHEEL BASE 1 52 = WAGON WHEEL BASE 2 14 = VAN WHEEL BASE 4 15 = VAN WHEEL BASE 5 54 = WAGON WHEEL BASE 4 55 = WAGON WHEEL BASE 5 56 = WAGON WHEEL BASE 6 16 = VAN WHEEL BASE 6	EX8 = 2.7L I5 Turbo Diesel Engine EX9 = 2.7L I5 Mercedes-Benz TD Engine	DGJ = 5-Speed Automatic MB Transmission DGZ = 4-Spd. Automatic MT643 Transmission

AR = use ase required - = Non illustrated part

Switches - Doors
Figure 8-815



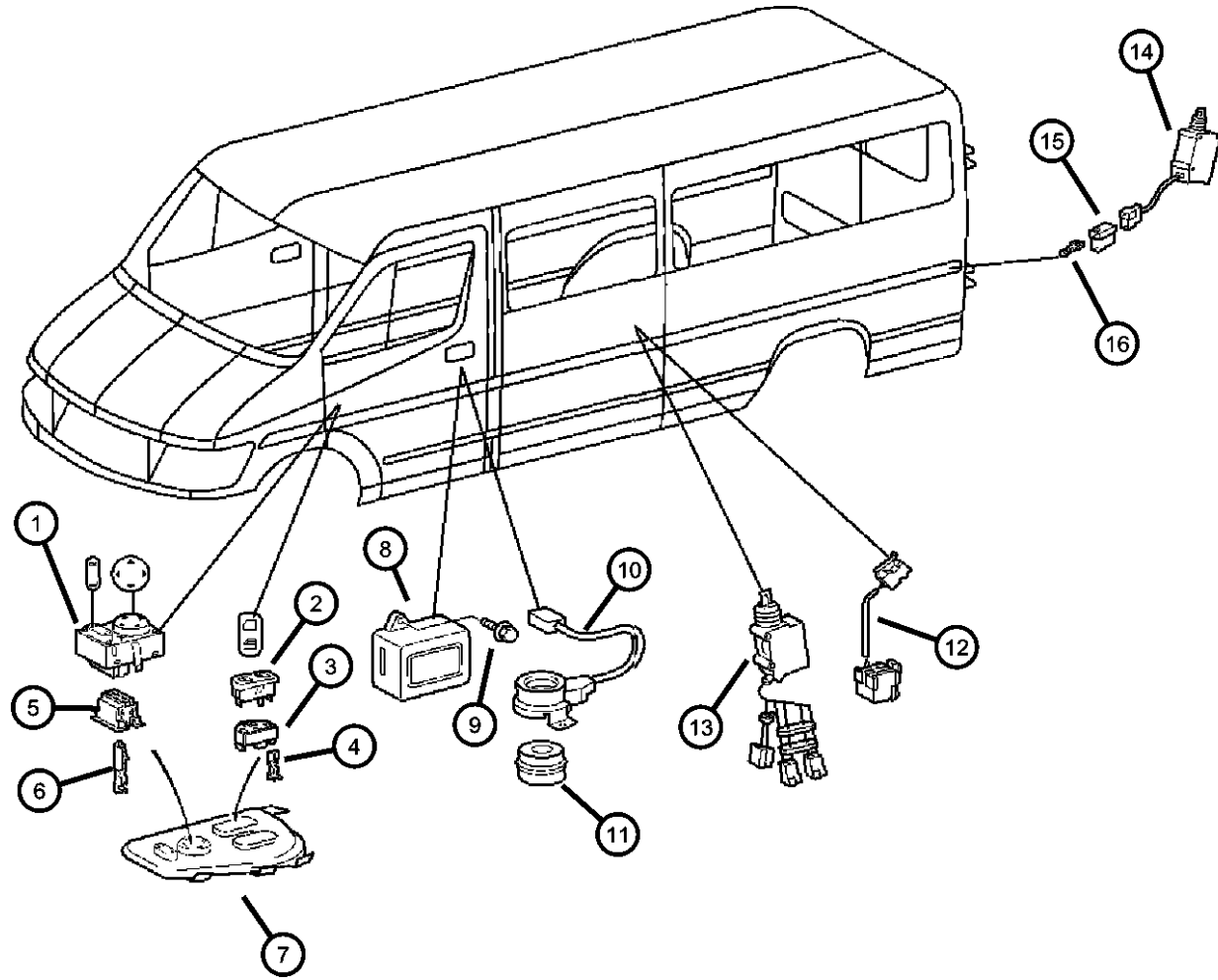
ITEM	PART NUMBER	QTY	LINE	SERIES	BODY	ENGINE	TRANS	TRIM	DESCRIPTION
5									CONNECTOR
	05120782AA	1	2, 6	L	01, 02, 06	EX8	DGZ		
		1	2, 6	L	11, 12, 14, 15, 16	EX8	DGZ		
		1	2, 6	L	51, 52, 54, 55, 56	EX8	DGZ		
		1	3, 7	L	12, 15, 16	EX8	DGZ		
		1	3, 7	L	02, 06	EX8	DGZ		
6									TERMINAL
	05103873AA	99	2, 6	L	01, 02, 06	EX8	DGZ		
		99	2, 6	L	11, 12, 14, 15, 16	EX8	DGZ		
		99	2, 6	L	51, 52, 54, 55, 56	EX8	DGZ		
		99	3, 7	L	02, 06	EX8	DGZ		
		99	3, 7	L	12, 15, 16	EX8	DGZ		
7									BEZEL, Power Window/Door Lock Switch
	05123790AA	1	2, 6	L	11, 12, 14, 15, 16	EX8	DGZ		Left
		1	2, 6	L	51, 52, 54, 55, 56	EX8	DGZ		Left
		1	3, 7	L	02, 06	EX8	DGZ		Left
	05123791AA	1	2, 6	L	01, 02, 06	EX8	DGZ		Left
		1	3, 7	L	12, 15, 16	EX8	DGZ		Right
		1	3, 7	L	12, 15, 16	EX8	DGZ		Left
		1	2, 6	L	01, 02, 06	EX8	DGZ		Right
		1	2, 6	L	11, 12, 14, 15, 16	EX8	DGZ		Right
		1	2, 6	L	51, 52, 54, 55, 56	EX8	DGZ		Right
		1	3, 7	L	02, 06	EX8	DGZ		Right

SPRINTER (VA)

SERIES	LINE	BODY	ENGINE	TRANSMISSION
L = LOWLINE	3 = HD DODGE 2WD 8 = HD DODGE 4WD 6 = Lt. Duty DODGE 4WD 2 = Med. Duty DODGE 2WD 7 = Med. Duty DODGE 4WD 4 = TRUCK	01 = CHASSIS FORWARD CONTROL W.B.1 02 = CAB CHASSIS WHEEL BASE 2 06 = CAB CHASSIS WHEEL BASE 6 11 = VAN WHEEL BASE 1 12 = VAN WHEEL BASE 2 51 = WAGON WHEEL BASE 1 52 = WAGON WHEEL BASE 2 14 = VAN WHEEL BASE 4 15 = VAN WHEEL BASE 5 54 = WAGON WHEEL BASE 4 55 = WAGON WHEEL BASE 5 56 = WAGON WHEEL BASE 6 16 = VAN WHEEL BASE 6	EX8 = 2.7L I5 Turbo Diesel Engine EX9 = 2.7L I5 Mercedes-Benz TD Engine	DGJ = 5-Speed Automatic MB Transmission DGZ = 4-Spd. Automatic MT643 Transmission

AR = use ase required - = Non illustrated part

Switches - Doors
Figure 8-815



ITEM	PART NUMBER	QTY	LINE	SERIES	BODY	ENGINE	TRANS	TRIM	DESCRIPTION
8									WSP CONTROL UNIT, Remote Control Key
	05135344AA	1	2, 6	L	11, 12, 14, 15, 16	EX8	DGZ		
		1	2, 6	L	51, 52, 54, 55, 56	EX8	DGZ		
		1	3, 7	L	02, 06	EX8	DGZ		
	05135345AA	1	2, 6	L	11, 12, 14, 15, 16	EX8	DGZ		[JPB]
		1	2, 6	L	51, 52, 54, 55, 56	EX8	DGZ		[JPB]
		1	3, 7	L	02, 06	EX8	DGZ		[JPB]
		1	3, 7	L	12, 15, 16	EX8	DGZ		[JPB]
9									SCREW, Tapping
	06104574AA	3	2, 6	L	01, 02, 06	EX8	DGZ		
		3	2, 6	L	11, 12, 14, 15, 16	EX8	DGZ		
		3	2, 6	L	51, 52, 54, 55, 56	EX8	DGZ		
		3	3, 7	L	02, 06	EX8	DGZ		
		3	3, 7	L	12, 15, 16	EX8	DGZ		
10									TRANSPONDER, Steering Wheel
	05120812AA	1	2, 6	L	11, 12, 14, 15, 16	EX8	DGZ		
		1	2, 6	L	51, 52, 54, 55, 56	EX8	DGZ		
		1	2, 6	L	01, 02, 06	EX8	DGZ		
		1	3, 7	L	12, 15, 16	EX8	DGZ		
		1	3, 7	L	02, 06	EX8	DGZ		
11									RING
	05104593AA	1	2, 6	L	11, 12, 14, 15, 16	EX8	DGZ		

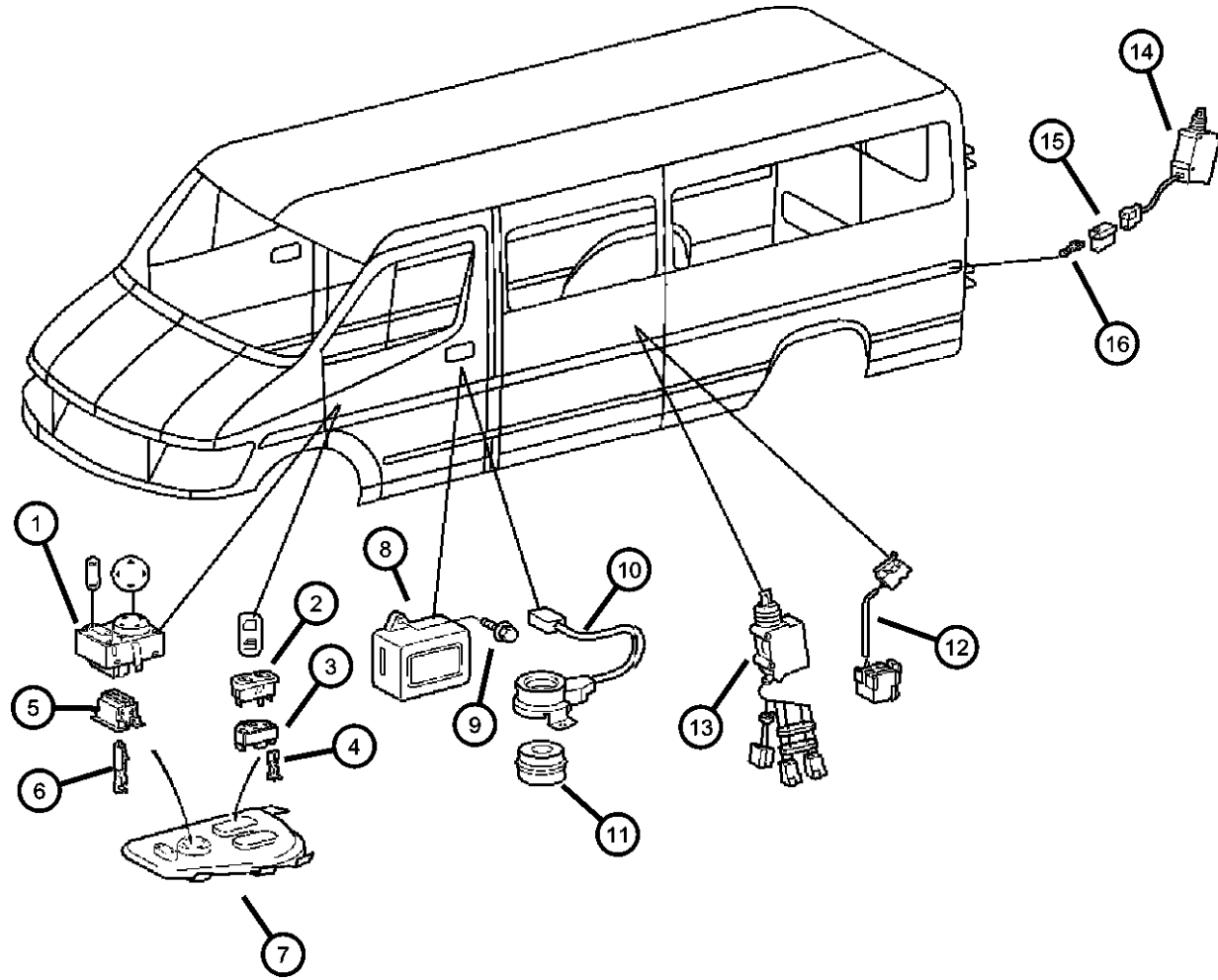
SPRINTER (VA)

SERIES	LINE	BODY	ENGINE	TRANSMISSION
L = LOWLINE	3 = HD DODGE 2WD 8 = HD DODGE 4WD 6 = Lt. Duty DODGE 4WD 2 = Med. Duty DODGE 2WD 7 = Med. Duty DODGE 4WD 4 = TRUCK	01 = CHASSIS FORWARD CONTROL W.B.1 02 = CAB CHASSIS WHEEL BASE 2 06 = CAB CHASSIS WHEEL BASE 6 11 = VAN WHEEL BASE 1 12 = VAN WHEEL BASE 2 51 = WAGON WHEEL BASE 1 52 = WAGON WHEEL BASE 2 14 = VAN WHEEL BASE 4 15 = VAN WHEEL BASE 5 54 = WAGON WHEEL BASE 4 55 = WAGON WHEEL BASE 5 56 = WAGON WHEEL BASE 6 16 = VAN WHEEL BASE 6	EX8 = 2.7L I5 Turbo Diesel Engine EX9 = 2.7L I5 Mercedes-Benz TD Engine	DGJ = 5-Speed Automatic MB Transmission DGZ = 4-Spd. Automatic MT643 Transmission

AR = use ase required - = Non illustrated part

2006 VA

Switches - Doors
Figure 8-815



ITEM	PART NUMBER	QTY	LINE	SERIES	BODY	ENGINE	TRANS	TRIM	DESCRIPTION
		1	2, 6	L	51, 52, 54, 55, 56	EX8	DGZ		
		1	2, 6	L	01, 02, 06	EX8	DGZ		
		1	3, 7	L	02, 06	EX8	DGZ		
		1	3, 7	L	12, 15, 16	EX8	DGZ		
12									SWITCH, Door Lock
	05133527AA	1	2, 6	L	11, 12, 14, 15, 16	EX8	DGZ		Right
		1	2, 6	L	51, 52, 54, 55, 56	EX8	DGZ		Right
	05133999AA	1	2, 6	L	11, 12, 14, 15, 16	EX8	DGZ		Left
		1	2, 6	L	51, 52, 54, 55, 56	EX8	DGZ		Left
		1	3, 7	L	12, 15, 16	EX8	DGZ		Left
		1	3, 7	L	12, 15, 16	EX8	DGZ		Right
13									ACTUATOR, Power Door Lock
	05103756AA	1	2, 6	L	11, 12, 14, 15, 16	EX8	DGZ		
		1	2, 6	L	51, 52, 54, 55, 56	EX8	DGZ		
		1	3, 7	L	12, 15, 16	EX8	DGZ		
14									ACTUATOR, Power Door Lock
	05133998AA	1	2, 6	L	11, 12, 14, 15, 16	EX8	DGZ		
		1	2, 6	L	51, 52, 54, 55, 56	EX8	DGZ		
		1	3, 7	L	12, 15, 16	EX8	DGZ		
15									INSULATOR, 2 Way Female
	05103754AA	1	2, 6	L	01, 02, 06	EX8	DGZ		
		1	2, 6	L	11, 12, 14, 15, 16	EX8	DGZ		

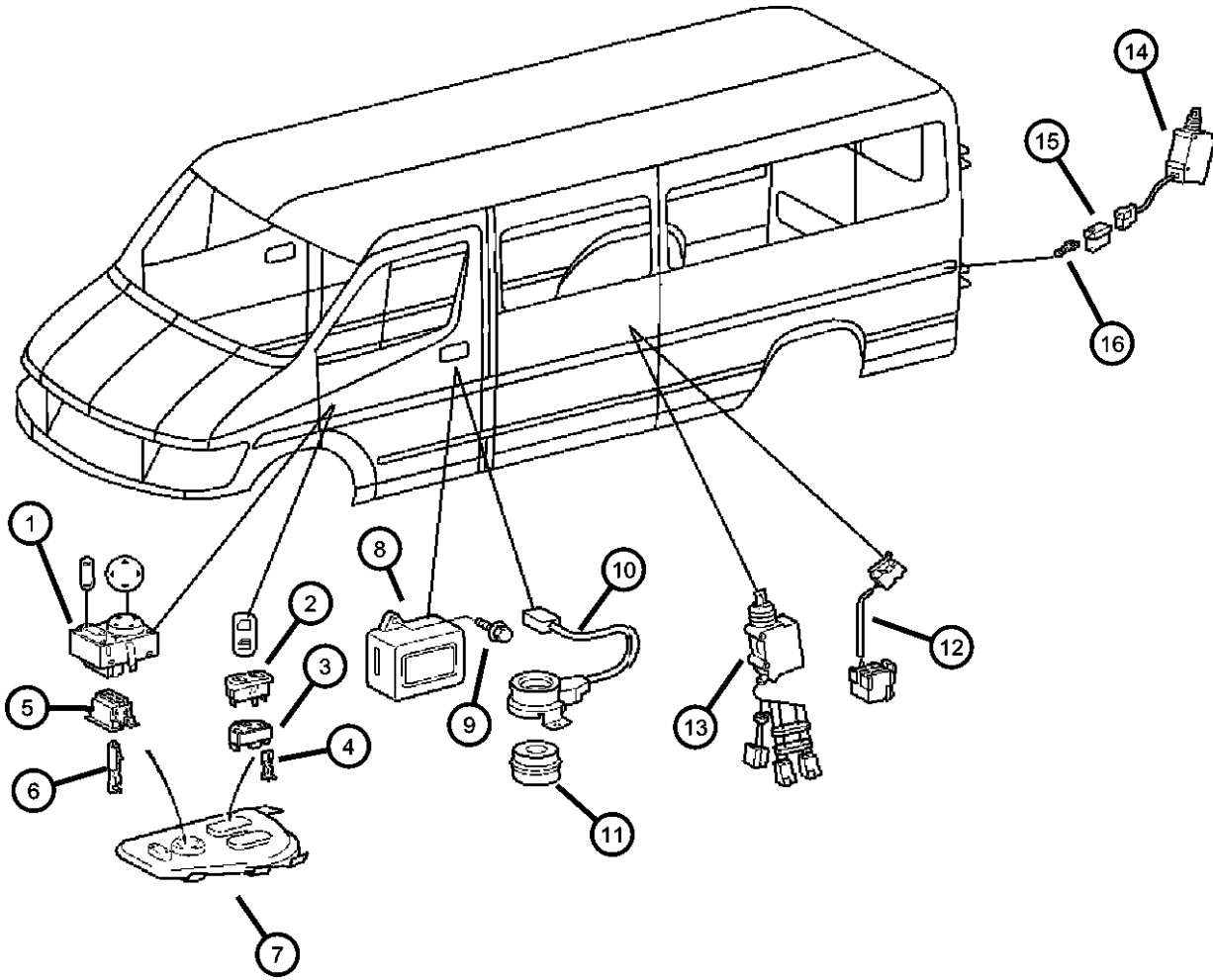
SPRINTER (VA)

SERIES	LINE	BODY	ENGINE	TRANSMISSION
L = LOWLINE	3 = HD DODGE 2WD	01 = CHASSIS FORWARD CONTROL W.B.1	EX8 = 2.7L I5 Turbo Diesel Engine	DGJ = 5-Speed Automatic MB Transmission
	8 = HD DODGE 4WD	02 = CAB CHASSIS WHEEL BASE 2	EX9 = 2.7L I5 Mercedes-Benz TD Engine	DGZ = 4-Spd. Automatic MT643 Transmission
	6 = Lt. Duty DODGE 4WD	06 = CAB CHASSIS WHEEL BASE 6		
	2 = Med. Duty DODGE 2WD	11 = VAN WHEEL BASE 1		
	7 = Med. Duty DODGE 4WD	12 = VAN WHEEL BASE 2		
	4 = TRUCK	51 = WAGON WHEEL BASE 1		
		52 = WAGON WHEEL BASE 2		
		14 = VAN WHEEL BASE 4		
		15 = VAN WHEEL BASE 5		
		54 = WAGON WHEEL BASE 4		
		55 = WAGON WHEEL BASE 5		
		56 = WAGON WHEEL BASE 6		
		16 = VAN WHEEL BASE 6		

AR = use ase required - = Non illustrated part

Switches - Doors
Figure 8-815

ITEM	PART NUMBER	QTY	LINE	SERIES	BODY	ENGINE	TRANS	TRIM	DESCRIPTION
		1	2, 6	L	51, 52, 54, 55, 56	EX8	DGZ		
		2	3, 7	L	02, 06	EX8	DGZ		
		2	3, 7	L	12, 15, 16	EX8	DGZ		
16	05133395AA	99	2, 6	L	01, 02, 06	EX8	DGZ		TERMINAL, Female
		99	2, 6	L	11, 12, 14, 15, 16	EX8	DGZ		
		99	2, 6	L	51, 52, 54, 55, 56	EX8	DGZ		
		99	3, 7	L	02, 06	EX8	DGZ		
		99	3, 7	L	12, 15, 16	EX8	DGZ		



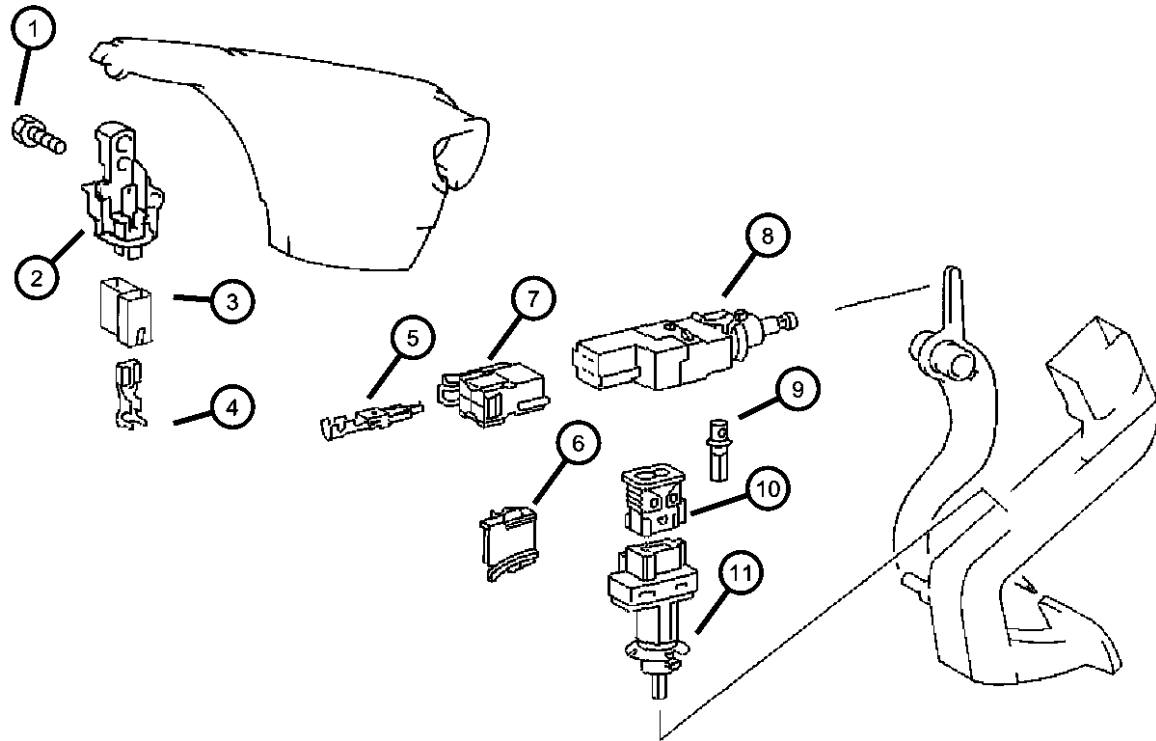
SPRINTER (VA)

SERIES	LINE	BODY	ENGINE	TRANSMISSION
L = LOWLINE	3 = HD DODGE 2WD 8 = HD DODGE 4WD 6 = Lt. Duty DODGE 4WD 2 = Med. Duty DODGE 2WD 7 = Med. Duty DODGE 4WD 4 = TRUCK	01 = CHASSIS FORWARD CONTROL W.B.1 02 = CAB CHASSIS WHEEL BASE 2 06 = CAB CHASSIS WHEEL BASE 6 11 = VAN WHEEL BASE 1 12 = VAN WHEEL BASE 2 51 = WAGON WHEEL BASE 1 52 = WAGON WHEEL BASE 2 14 = VAN WHEEL BASE 4 15 = VAN WHEEL BASE 5 54 = WAGON WHEEL BASE 4 55 = WAGON WHEEL BASE 5 56 = WAGON WHEEL BASE 6 16 = VAN WHEEL BASE 6	EX8 = 2.7L I5 Turbo Diesel Engine EX9 = 2.7L I5 Mercedes-Benz TD Engine	DGJ = 5-Speed Automatic MB Transmission DGZ = 4-Spd. Automatic MT643 Transmission

AR = use ase required - = Non illustrated part

2006 VA

**Switch Brake and Clutch
Figure 8-820**



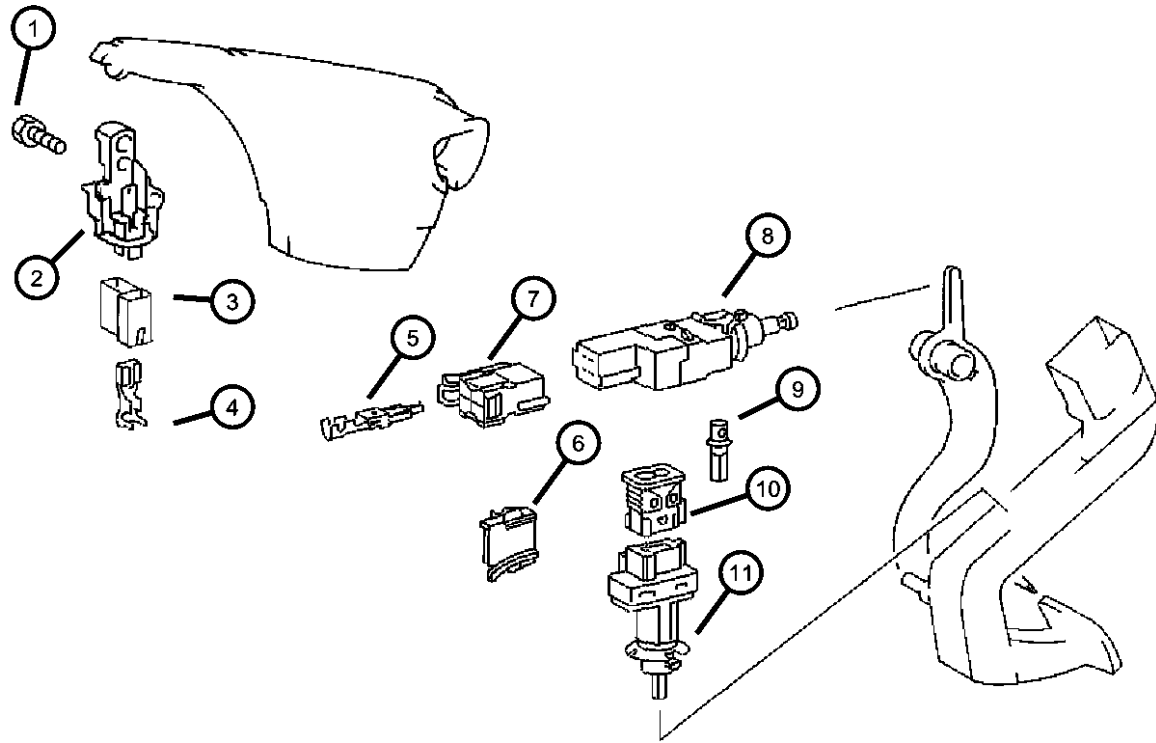
ITEM	PART NUMBER	QTY	LINE	SERIES	BODY	ENGINE	TRANS	TRIM	DESCRIPTION
1	05126147AA	1	2, 6	L	01, 02, 06	EX8	DGZ		SCREW
		1	2, 6	L	11, 12, 14, 15, 16	EX8	DGZ		
		1	2, 6	L	51, 52, 54, 55, 56	EX8	DGZ		
		1	3, 7	L	02, 06	EX8	DGZ		
		1	3, 7	L	12, 15, 16	EX8	DGZ		
2	05103540AA	1	2, 6	L	01, 02, 06	EX8	DGZ		SWITCH, Parking Brake
		1	2, 6	L	11, 12, 14, 15, 16	EX8	DGZ		
		1	2, 6	L	51, 52, 54, 55, 56	EX8	DGZ		
		1	3, 7	L	02, 06	EX8	DGZ		
		1	3, 7	L	12, 15, 16	EX8	DGZ		
3	05103754AA	1	2, 6	L	01, 02, 06	EX8	DGZ		INSULATOR, 2 Way Female
		1	2, 6	L	11, 12, 14, 15, 16	EX8	DGZ		
		1	2, 6	L	51, 52, 54, 55, 56	EX8	DGZ		
		1	3, 7	L	02, 06	EX8	DGZ		
		1	3, 7	L	12, 15, 16	EX8	DGZ		
4	05114451AA	99	2, 6	L	01, 02, 06	EX8	DGZ		TERMINAL, Female
		99	2, 6	L	11, 12, 14, 15, 16	EX8	DGZ		
		99	2, 6	L	51, 52, 54, 55, 56	EX8	DGZ		
		99	3, 7	L	02, 06	EX8	DGZ		
		99	3, 7	L	12, 15, 16	EX8	DGZ		

SPRINTER (VA)

SERIES	LINE	BODY	ENGINE	TRANSMISSION
L = LOWLINE	3 = HD DODGE 2WD 8 = HD DODGE 4WD 6 = Lt. Duty DODGE 4WD 2 = Med. Duty DODGE 2WD 7 = Med. Duty DODGE 4WD 4 = TRUCK	01 = CHASSIS FORWARD CONTROL W.B.1 02 = CAB CHASSIS WHEEL BASE 2 06 = CAB CHASSIS WHEEL BASE 6 11 = VAN WHEEL BASE 1 12 = VAN WHEEL BASE 2 51 = WAGON WHEEL BASE 1 52 = WAGON WHEEL BASE 2 14 = VAN WHEEL BASE 4 15 = VAN WHEEL BASE 5 54 = WAGON WHEEL BASE 4 55 = WAGON WHEEL BASE 5 56 = WAGON WHEEL BASE 6 16 = VAN WHEEL BASE 6	EX8 = 2.7L I5 Turbo Diesel Engine EX9 = 2.7L I5 Mercedes-Benz TD Engine	DGJ = 5-Speed Automatic MB Transmission DGZ = 4-Spd. Automatic MT643 Transmission

AR = use ase required - = Non illustrated part

Switch Brake and Clutch
Figure 8-820



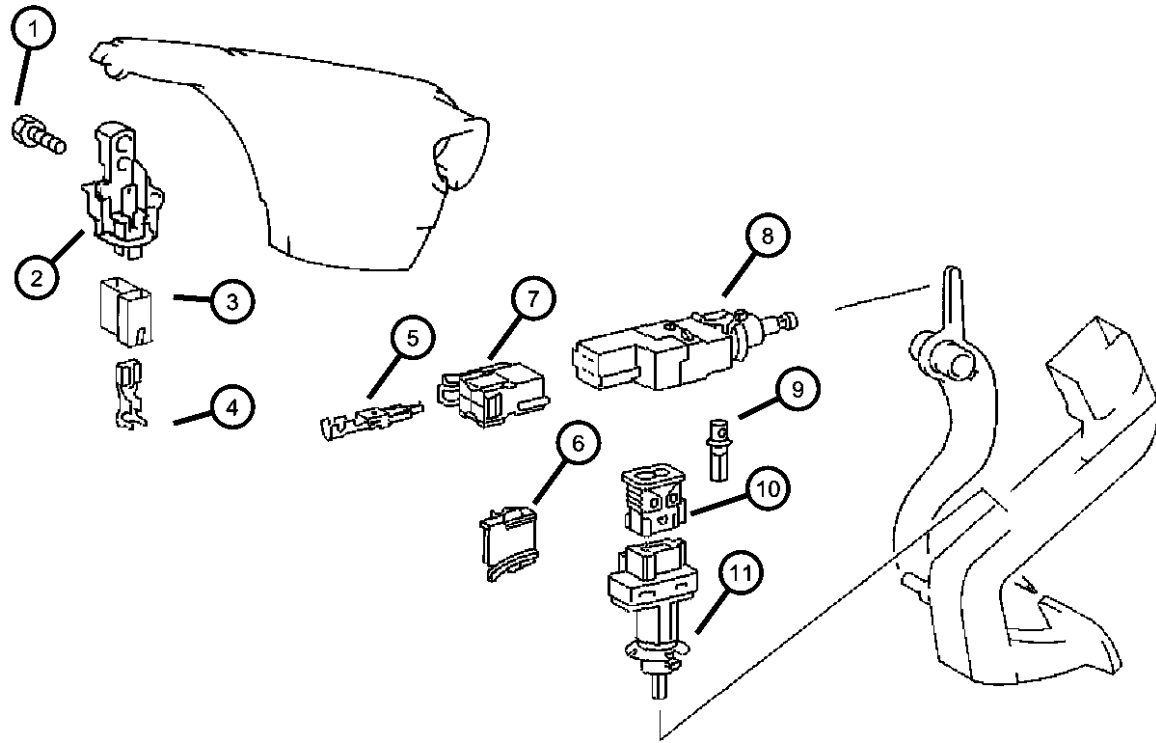
ITEM	PART NUMBER	QTY	LINE	SERIES	BODY	ENGINE	TRANS	TRIM	DESCRIPTION
5									TERMINAL
	05103881AA	99	2, 6	L	01, 02, 06	EX8	DGZ		
		99	2, 6	L	11, 12, 14, 15, 16	EX8	DGZ		
		99	2, 6	L	51, 52, 54, 55, 56	EX8	DGZ		
		99	3, 7	L	02, 06	EX8	DGZ		
		99	3, 7	L	12, 15, 16	EX8	DGZ		
6									CONNECTOR
	05120772AA	1	2, 6	L	01, 02, 06	EX8	DGZ		
		1	2, 6	L	11, 12, 14, 15, 16	EX8	DGZ		
		1	2, 6	L	51, 52, 54, 55, 56	EX8	DGZ		
		1	3, 7	L	02, 06	EX8	DGZ		
		1	3, 7	L	12, 15, 16	EX8	DGZ		
7									INSULATOR, 4 Way
	05120776AA	1	2, 6	L	01, 02, 06	EX8	DGZ		
		1	2, 6	L	11, 12, 14, 15, 16	EX8	DGZ		
		1	2, 6	L	51, 52, 54, 55, 56	EX8	DGZ		
		1	3, 7	L	02, 06	EX8	DGZ		
		1	3, 7	L	12, 15, 16	EX8	DGZ		
8									SWITCH, Stop Lamp
	05101496AB	1	2, 6	L	01, 02, 06	EX8	DGZ		
		1	2, 6	L	11, 12, 14, 15, 16	EX8	DGZ		
		1	2, 6	L	51, 52, 54, 55, 56	EX8	DGZ		
		1	3, 7	L	02, 06	EX8	DGZ		
		1	3, 7	L	12, 15, 16	EX8	DGZ		

SPRINTER (VA)

SERIES	LINE	BODY	ENGINE	TRANSMISSION
L = LOWLINE	3 = HD DODGE 2WD 8 = HD DODGE 4WD 6 = Lt. Duty DODGE 4WD 2 = Med. Duty DODGE 2WD 7 = Med. Duty DODGE 4WD 4 = TRUCK	01 = CHASSIS FORWARD CONTROL W.B.1 02 = CAB CHASSIS WHEEL BASE 2 06 = CAB CHASSIS WHEEL BASE 6 11 = VAN WHEEL BASE 1 12 = VAN WHEEL BASE 2 51 = WAGON WHEEL BASE 1 52 = WAGON WHEEL BASE 2 14 = VAN WHEEL BASE 4 15 = VAN WHEEL BASE 5 54 = WAGON WHEEL BASE 4 55 = WAGON WHEEL BASE 5 56 = WAGON WHEEL BASE 6 16 = VAN WHEEL BASE 6	EX8 = 2.7L I5 Turbo Diesel Engine EX9 = 2.7L I5 Mercedes-Benz TD Engine	DGJ = 5-Speed Automatic MB Transmission DGZ = 4-Spd. Automatic MT643 Transmission

AR = use ase required - = Non illustrated part

**Switch Brake and Clutch
Figure 8-820**



ITEM	PART NUMBER	QTY	LINE	SERIES	BODY	ENGINE	TRANS	TRIM	DESCRIPTION
	05103748AA	1	2, 6	L	01, 02, 06	EX8	DGZ		[BNB]
		1	2, 6	L	11, 12, 14, 15, 16	EX8	DGZ		[BNB]
		1	2, 6	L	51, 52, 54, 55, 56	EX8	DGZ		[BNB]
9									TERMINAL
	05133478AA	99	2, 6	L	01, 02, 06	EX8	DGZ		
		99	2, 6	L	11, 12, 14, 15, 16	EX8	DGZ		
		99	2, 6	L	51, 52, 54, 55, 56	EX8	DGZ		
		99	3, 7	L	02, 06	EX8	DGZ		
		99	3, 7	L	12, 15, 16	EX8	DGZ		
10									INSULATOR, 2 Way Female
	05120725AA	1	2, 6	L	01, 02, 06	EX8	DGZ		
		1	2, 6	L	11, 12, 14, 15, 16	EX8	DGZ		
		1	2, 6	L	51, 52, 54, 55, 56	EX8	DGZ		
		1	3, 7	L	02, 06	EX8	DGZ		
		1	3, 7	L	12, 15, 16	EX8	DGZ		
11									SWITCH, Clutch
	05098407AA	1	2, 6	L	01, 02, 06	EX8	DGZ		
		1	2, 6	L	11, 12, 14, 15, 16	EX8	DGZ		
		1	2, 6	L	51, 52, 54, 55, 56	EX8	DGZ		
		1	3, 7	L	02, 06	EX8	DGZ		
		1	3, 7	L	12, 15, 16	EX8	DGZ		

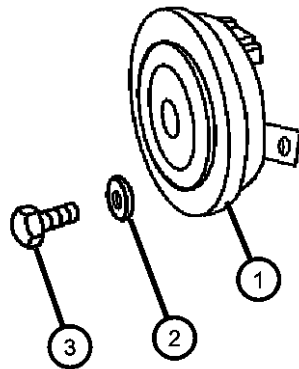
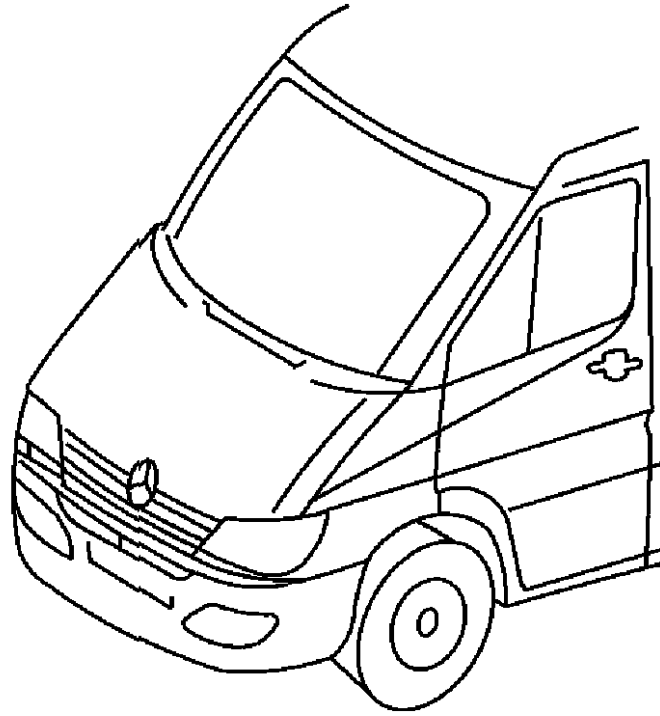
SPRINTER (VA)

SERIES	LINE	BODY	ENGINE	TRANSMISSION
L = LOWLINE	3 = HD DODGE 2WD 8 = HD DODGE 4WD 6 = Lt. Duty DODGE 4WD 2 = Med. Duty DODGE 2WD 7 = Med. Duty DODGE 4WD 4 = TRUCK	01 = CHASSIS FORWARD CONTROL W.B.1 02 = CAB CHASSIS WHEEL BASE 2 06 = CAB CHASSIS WHEEL BASE 6 11 = VAN WHEEL BASE 1 12 = VAN WHEEL BASE 2 51 = WAGON WHEEL BASE 1 52 = WAGON WHEEL BASE 2 14 = VAN WHEEL BASE 4 15 = VAN WHEEL BASE 5 54 = WAGON WHEEL BASE 4 55 = WAGON WHEEL BASE 5 56 = WAGON WHEEL BASE 6 16 = VAN WHEEL BASE 6	EX8 = 2.7L I5 Turbo Diesel Engine EX9 = 2.7L I5 Mercedes-Benz TD Engine	DGJ = 5-Speed Automatic MB Transmission DGZ = 4-Spd. Automatic MT643 Transmission

AR = use ase required - = Non illustrated part

Horns & Alarm
Figure 8-905

ITEM	PART NUMBER	QTY	LINE	SERIES	BODY	ENGINE	TRANS	TRIM	DESCRIPTION
1									HORN
	05120370AA	1	2, 6	L	01, 02, 06	EX8	DGZ		
		1	2, 6	L	11, 12, 14, 15, 16	EX8	DGZ		
		1	2, 6	L	51, 52, 54, 55, 56	EX8	DGZ		
		1	3, 7	L	02, 06	EX8	DGZ		
		1	3, 7	L	12, 15, 16	EX8	DGZ		
2									LOCK WASHER
	05104669AA	1	2, 6	L	01, 02, 06	EX8	DGZ		
		1	2, 6	L	11, 12, 14, 15, 16	EX8	DGZ		
		1	2, 6	L	51, 52, 54, 55, 56	EX8	DGZ		
		1	3, 7	L	02, 06	EX8	DGZ		
		1	3, 7	L	12, 15, 16	EX8	DGZ		
3									SCREW
	06104022AB	1	2, 6	L	01, 02, 06	EX8	DGZ		
		1	2, 6	L	11, 12, 14, 15, 16	EX8	DGZ		
		1	2, 6	L	51, 52, 54, 55, 56	EX8	DGZ		
		1	3, 7	L	02, 06	EX8	DGZ		
		1	3, 7	L	12, 15, 16	EX8	DGZ		



SPRINTER (VA)

SERIES

L = LOWLINE

LINE

3 = HD DODGE 2WD
8 = HD DODGE 4WD
6 = Lt. Duty DODGE 4WD
2 = Med. Duty DODGE 2WD
7 = Med. Duty DODGE 4WD
4 = TRUCK

BODY

01 = CHASSIS FORWARD CONTROL W.B.1
02 = CAB CHASSIS WHEEL BASE 2
06 = CAB CHASSIS WHEEL BASE 6
11 = VAN WHEEL BASE 1
12 = VAN WHEEL BASE 2
51 = WAGON WHEEL BASE 1
52 = WAGON WHEEL BASE 2
14 = VAN WHEEL BASE 4
15 = VAN WHEEL BASE 5
54 = WAGON WHEEL BASE 4
55 = WAGON WHEEL BASE 5
56 = WAGON WHEEL BASE 6
16 = VAN WHEEL BASE 6

ENGINE

EX8 = 2.7L I5 Turbo Diesel Engine
EX9 = 2.7L I5 Mercedes-Benz TD Engine

TRANSMISSION

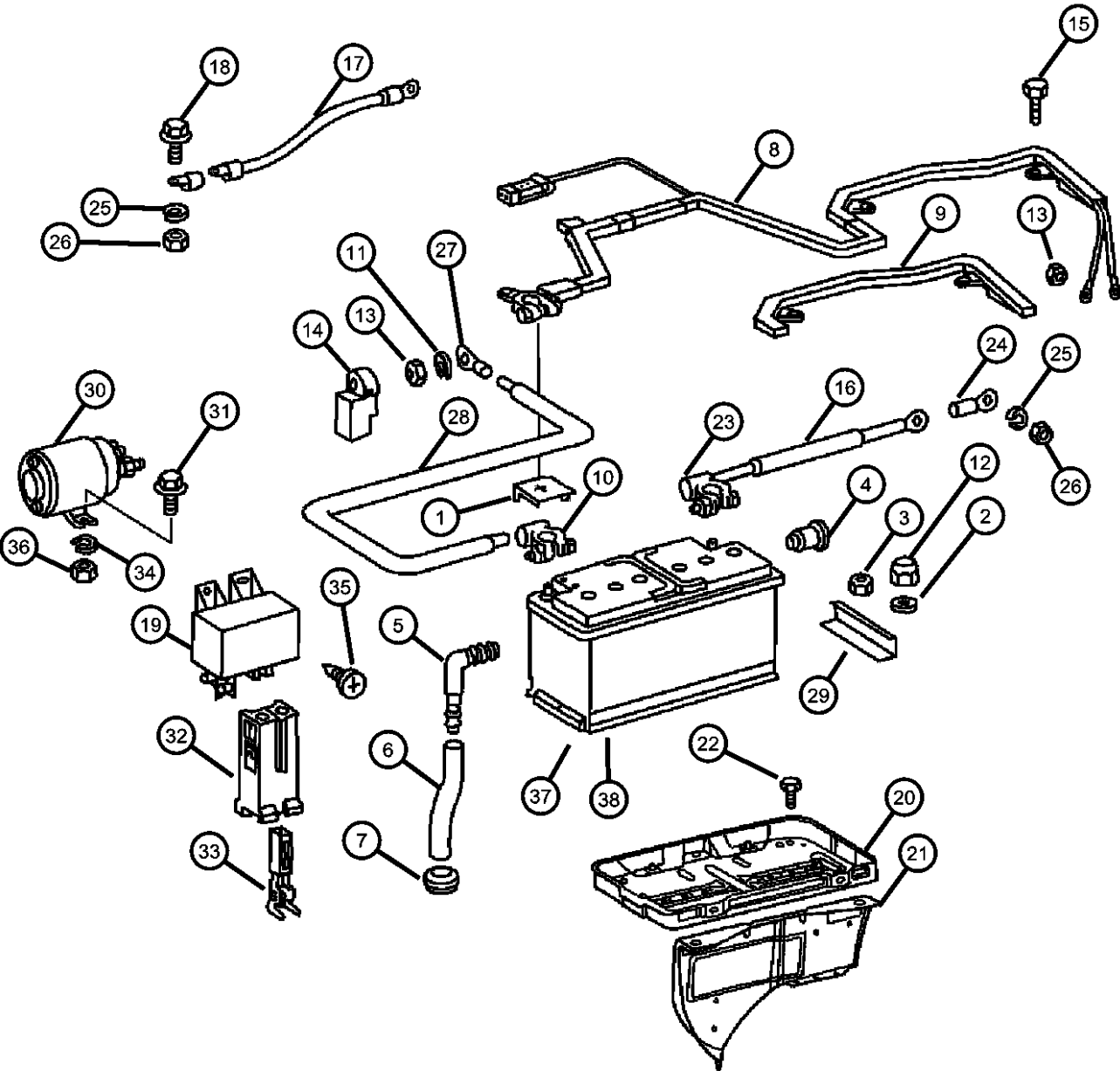
DGJ = 5-Speed Automatic MB Transmission
DGZ = 4-Spd. Automatic MT643 Transmission

AR = use ase required - = Non illustrated part

2006 VA

Battery Tray & Cables

Figure 8-1005



ITEM	PART NUMBER	QTY	LINE	SERIES	BODY	ENGINE	TRANS	TRIM	DESCRIPTION
1	05098850AA	1	2, 6	L	01, 02, 06	EX8	DGZ		COVER, Battery Terminal
		1	2, 6	L	11, 12, 14, 15, 16	EX8	DGZ		
		1	2, 6	L	51, 52, 54, 55, 56	EX8	DGZ		
		1	3, 7	L	02, 06	EX8	DGZ		
		1	3, 7	L	12, 15, 16	EX8	DGZ		
2	05104612AA	2	2, 6	L	01, 02, 06	EX8	DGZ		WASHER, Flat
		2	2, 6	L	11, 12, 14, 15, 16	EX8	DGZ		
		2	2, 6	L	51, 52, 54, 55, 56	EX8	DGZ		
		99	3, 7	L	02, 06	EX8	DGZ		
		99	3, 7	L	12, 15, 16	EX8	DGZ		
3		99							NUT, Hex, M6, (NOT SERVICED)
4	05099303AA	1	2, 6	L	01, 02, 06	EX8	DGZ		PLUG
		1	2, 6	L	11, 12, 14, 15, 16	EX8	DGZ		
		1	2, 6	L	51, 52, 54, 55, 56	EX8	DGZ		
		1	3, 7	L	02, 06	EX8	DGZ		
		1	3, 7	L	12, 15, 16	EX8	DGZ		
5	05125802AA	1	2, 6	L	01, 02, 06	EX8	DGZ		ELBOW, Male Adapter
		1	2, 6	L	11, 12, 14, 15, 16	EX8	DGZ		
		1	2, 6	L	51, 52, 54, 55, 56	EX8	DGZ		
		1	3, 7	L	02, 06	EX8	DGZ		

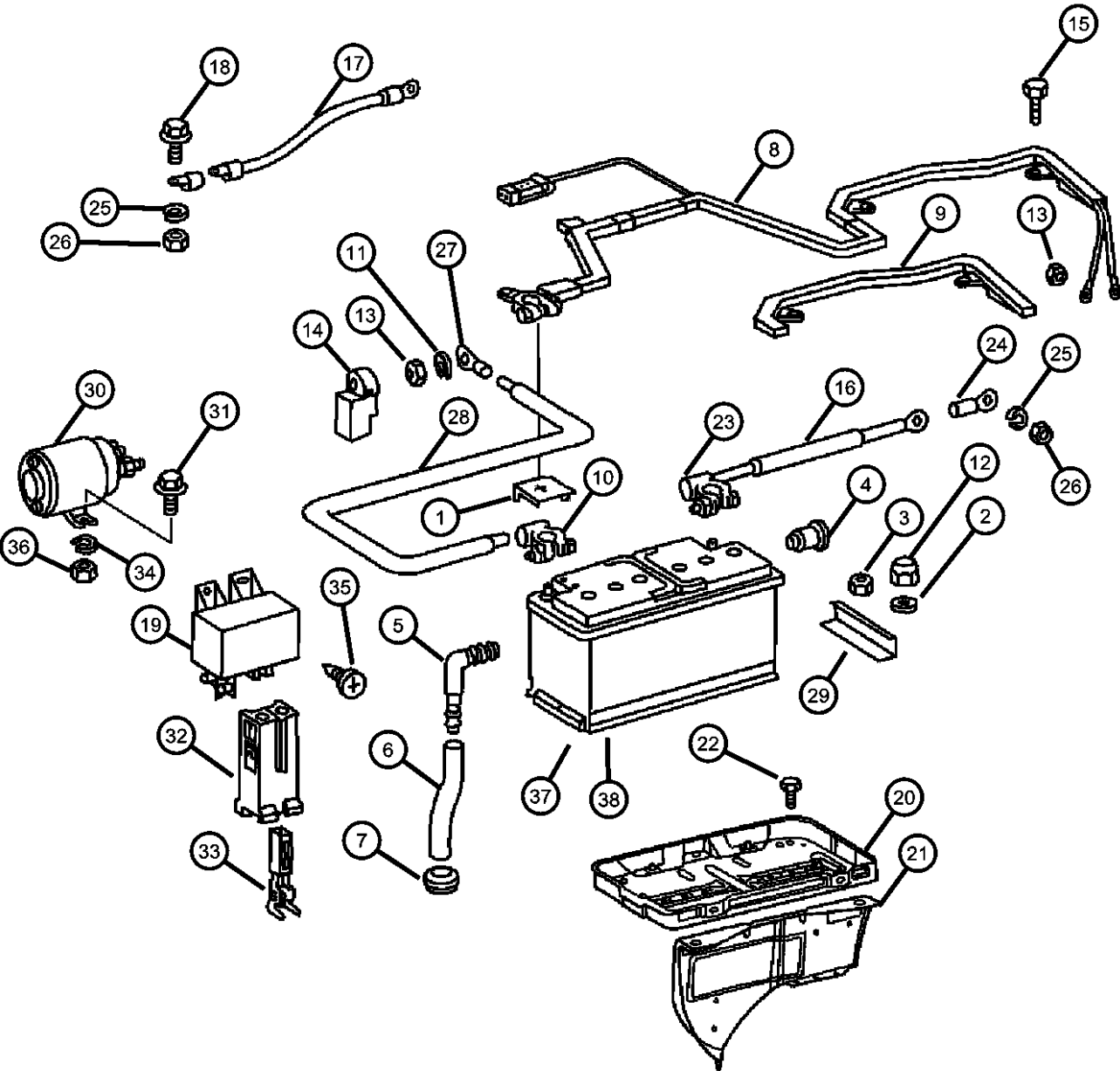
SPRINTER (VA)

SERIES	LINE	BODY	ENGINE	TRANSMISSION
L = LOWLINE	3 = HD DODGE 2WD 8 = HD DODGE 4WD 6 = Lt. Duty DODGE 4WD 2 = Med. Duty DODGE 2WD 7 = Med. Duty DODGE 4WD 4 = TRUCK	01 = CHASSIS FORWARD CONTROL W.B.1 02 = CAB CHASSIS WHEEL BASE 2 06 = CAB CHASSIS WHEEL BASE 6 11 = VAN WHEEL BASE 1 12 = VAN WHEEL BASE 2 51 = WAGON WHEEL BASE 1 52 = WAGON WHEEL BASE 2 14 = VAN WHEEL BASE 4 15 = VAN WHEEL BASE 5 54 = WAGON WHEEL BASE 4 55 = WAGON WHEEL BASE 5 56 = WAGON WHEEL BASE 6 16 = VAN WHEEL BASE 6	EX8 = 2.7L I5 Turbo Diesel Engine EX9 = 2.7L I5 Mercedes-Benz TD Engine	DGJ = 5-Speed Automatic MB Transmission DGZ = 4-Spd. Automatic MT643 Transmission

AR = use ase required - = Non illustrated part

Battery Tray & Cables

Figure 8-1005



ITEM	PART NUMBER	QTY	LINE	SERIES	BODY	ENGINE	TRANS	TRIM	DESCRIPTION
6		1	3, 7	L	12, 15, 16	EX8	DGZ		HOSE, Battery Vent
	05125962AA	40	2, 6	L	01, 02, 06	EX8	DGZ		10 Meters Long
		40	2, 6	L	11, 12, 14, 15, 16	EX8	DGZ		10 Meters Long
		40	2, 6	L	51, 52, 54, 55, 56	EX8	DGZ		10 Meters Long
		40	3, 7	L	02, 06	EX8	DGZ		10 Meters Long
		40	3, 7	L	12, 15, 16	EX8	DGZ		10 Meters Long
7									GROMMET, Floor
	05125940AA	1	2, 6	L	01, 02, 06	EX8	DGZ		
		1	2, 6	L	11, 12, 14, 15, 16	EX8	DGZ		
		1	2, 6	L	51, 52, 54, 55, 56	EX8	DGZ		
		1	3, 7	L	02, 06	EX8	DGZ		
		1	3, 7	L	12, 15, 16	EX8	DGZ		
8									CABLE, Battery Positive
	05133949AA	900	2, 6	L	01, 02, 06	EX8	DGZ		10 Meters Long
		900	2, 6	L	11, 12, 14, 15, 16	EX8	DGZ		10 Meters Long
		900	2, 6	L	51, 52, 54, 55, 56	EX8	DGZ		10 Meters Long
		900	3, 7	L	02, 06	EX8	DGZ		10 Meters Long
		900	3, 7	L	12, 15, 16	EX8	DGZ		10 Meters Long
9									COVER, Wiring Protector
	05120950AA	1	2, 6	L	01, 02, 06	EX8	DGZ		
		1	2, 6	L	11, 12, 14, 15, 16	EX8	DGZ		
		1	2, 6	L	51, 52, 54, 55, 56	EX8	DGZ		
		1	3, 7	L	02, 06	EX8	DGZ		

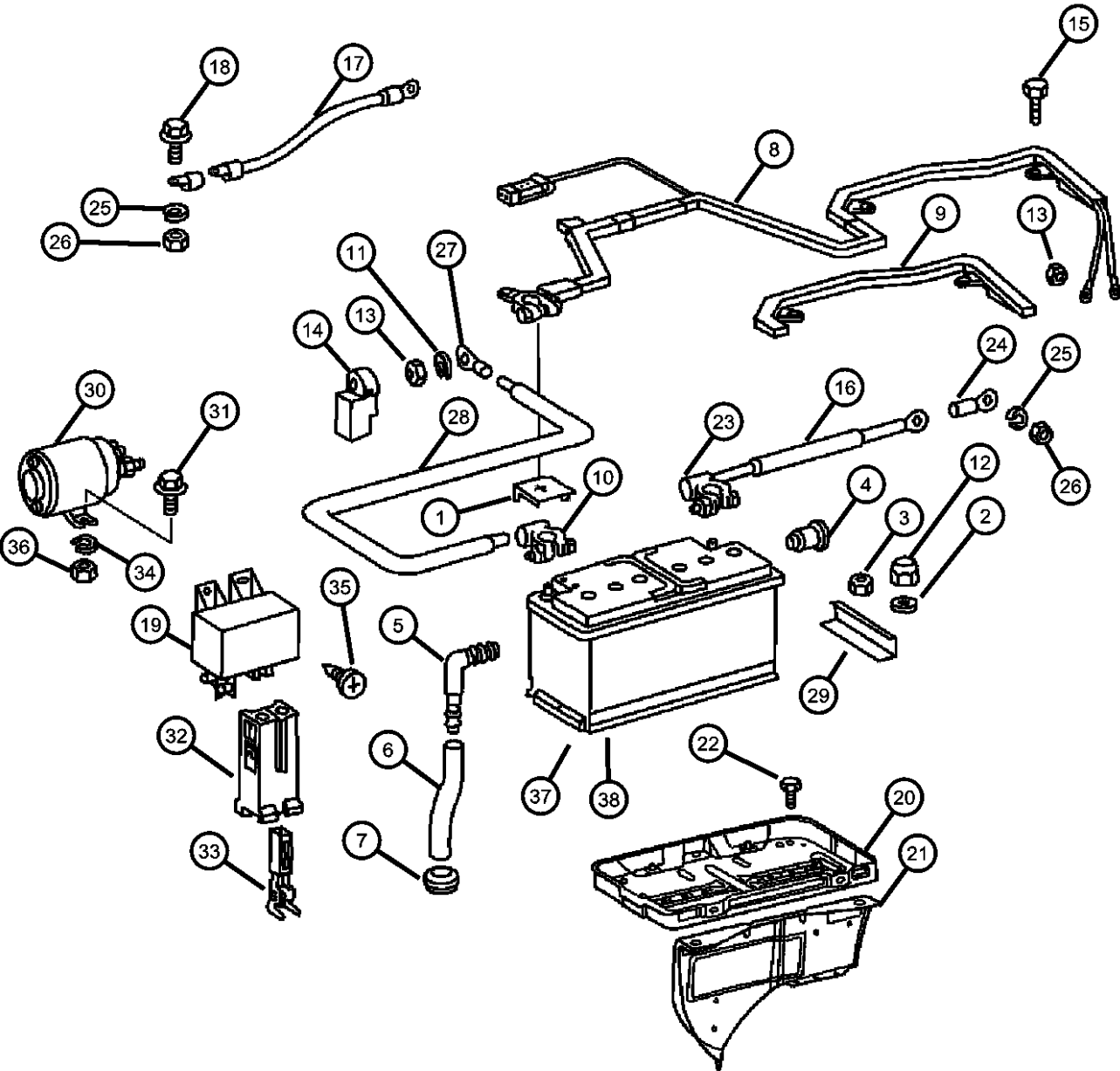
SPRINTER (VA)

SERIES	LINE	BODY	ENGINE	TRANSMISSION
L = LOWLINE	3 = HD DODGE 2WD 8 = HD DODGE 4WD 6 = Lt. Duty DODGE 4WD 2 = Med. Duty DODGE 2WD 7 = Med. Duty DODGE 4WD 4 = TRUCK	01 = CHASSIS FORWARD CONTROL W.B.1 02 = CAB CHASSIS WHEEL BASE 2 06 = CAB CHASSIS WHEEL BASE 6 11 = VAN WHEEL BASE 1 12 = VAN WHEEL BASE 2 51 = WAGON WHEEL BASE 1 52 = WAGON WHEEL BASE 2 14 = VAN WHEEL BASE 4 15 = VAN WHEEL BASE 5 54 = WAGON WHEEL BASE 4 55 = WAGON WHEEL BASE 5 56 = WAGON WHEEL BASE 6 16 = VAN WHEEL BASE 6	EX8 = 2.7L I5 Turbo Diesel Engine EX9 = 2.7L I5 Mercedes-Benz TD Engine	DGJ = 5-Speed Automatic MB Transmission DGZ = 4-Spd. Automatic MT643 Transmission

AR = use ase required - = Non illustrated part

Battery Tray & Cables

Figure 8-1005



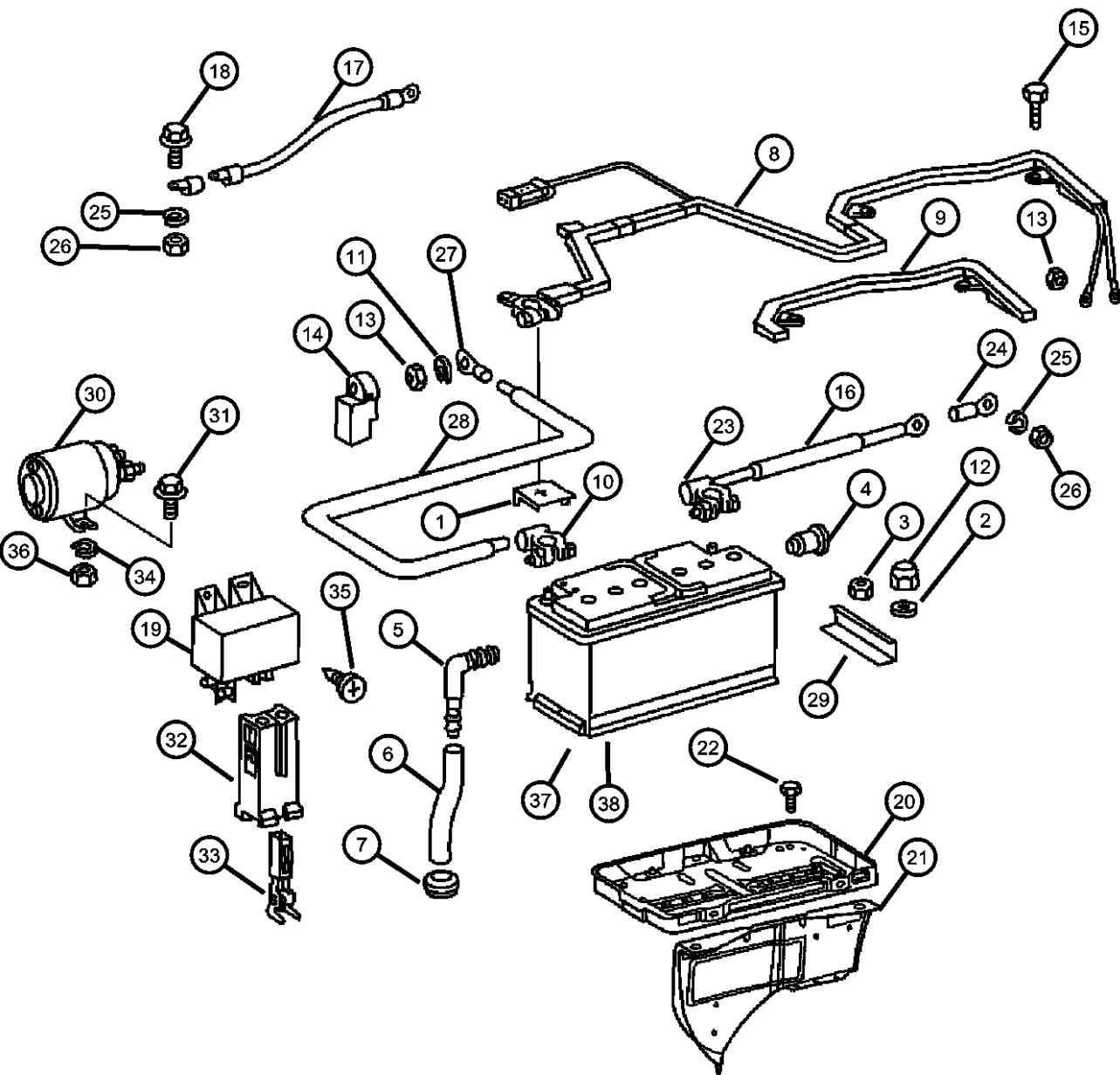
ITEM	PART NUMBER	QTY	LINE	SERIES	BODY	ENGINE	TRANS	TRIM	DESCRIPTION
10		1	3, 7	L	12, 15, 16	EX8	DGZ		TERMINAL, Battery
	05120949AA	1	2, 6	L	01, 02, 06	EX8	DGZ		
		1	2, 6	L	11, 12, 14, 15, 16	EX8	DGZ		
		1	2, 6	L	51, 52, 54, 55, 56	EX8	DGZ		
		1	3, 7	L	02, 06	EX8	DGZ		
		1	3, 7	L	12, 15, 16	EX8	DGZ		
11									LOCK WASHER
	05104669AA	1	2, 6	L	01, 02, 06	EX8	DGZ		
		1	2, 6	L	11, 12, 14, 15, 16	EX8	DGZ		
		1	2, 6	L	51, 52, 54, 55, 56	EX8	DGZ		
		1	3, 7	L	02, 06	EX8	DGZ		
		1	3, 7	L	12, 15, 16	EX8	DGZ		
12									NUT
	05133943AA	2	2, 6	L	01, 02, 06	EX8	DGZ		
		2	2, 6	L	11, 12, 14, 15, 16	EX8	DGZ		
		2	2, 6	L	51, 52, 54, 55, 56	EX8	DGZ		
		99	3, 7	L	02, 06	EX8	DGZ		
		99	3, 7	L	12, 15, 16	EX8	DGZ		
13									NUT, M8
	06104709AA	1	2, 6	L	01, 02, 06	EX8	DGZ		
		1	2, 6	L	11, 12, 14, 15, 16	EX8	DGZ		
		1	2, 6	L	51, 52, 54, 55, 56	EX8	DGZ		
		1	3, 7	L	02, 06	EX8	DGZ		

SPRINTER (VA)

SERIES	LINE	BODY	ENGINE	TRANSMISSION
L = LOWLINE	3 = HD DODGE 2WD 8 = HD DODGE 4WD 6 = Lt. Duty DODGE 4WD 2 = Med. Duty DODGE 2WD 7 = Med. Duty DODGE 4WD 4 = TRUCK	01 = CHASSIS FORWARD CONTROL W.B.1 02 = CAB CHASSIS WHEEL BASE 2 06 = CAB CHASSIS WHEEL BASE 6 11 = VAN WHEEL BASE 1 12 = VAN WHEEL BASE 2 51 = WAGON WHEEL BASE 1 52 = WAGON WHEEL BASE 2 14 = VAN WHEEL BASE 4 15 = VAN WHEEL BASE 5 54 = WAGON WHEEL BASE 4 55 = WAGON WHEEL BASE 5 56 = WAGON WHEEL BASE 6 16 = VAN WHEEL BASE 6	EX8 = 2.7L I5 Turbo Diesel Engine EX9 = 2.7L I5 Mercedes-Benz TD Engine	DGJ = 5-Speed Automatic MB Transmission DGZ = 4-Spd. Automatic MT643 Transmission

AR = use ase required - = Non illustrated part

Battery Tray & Cables
Figure 8-1005



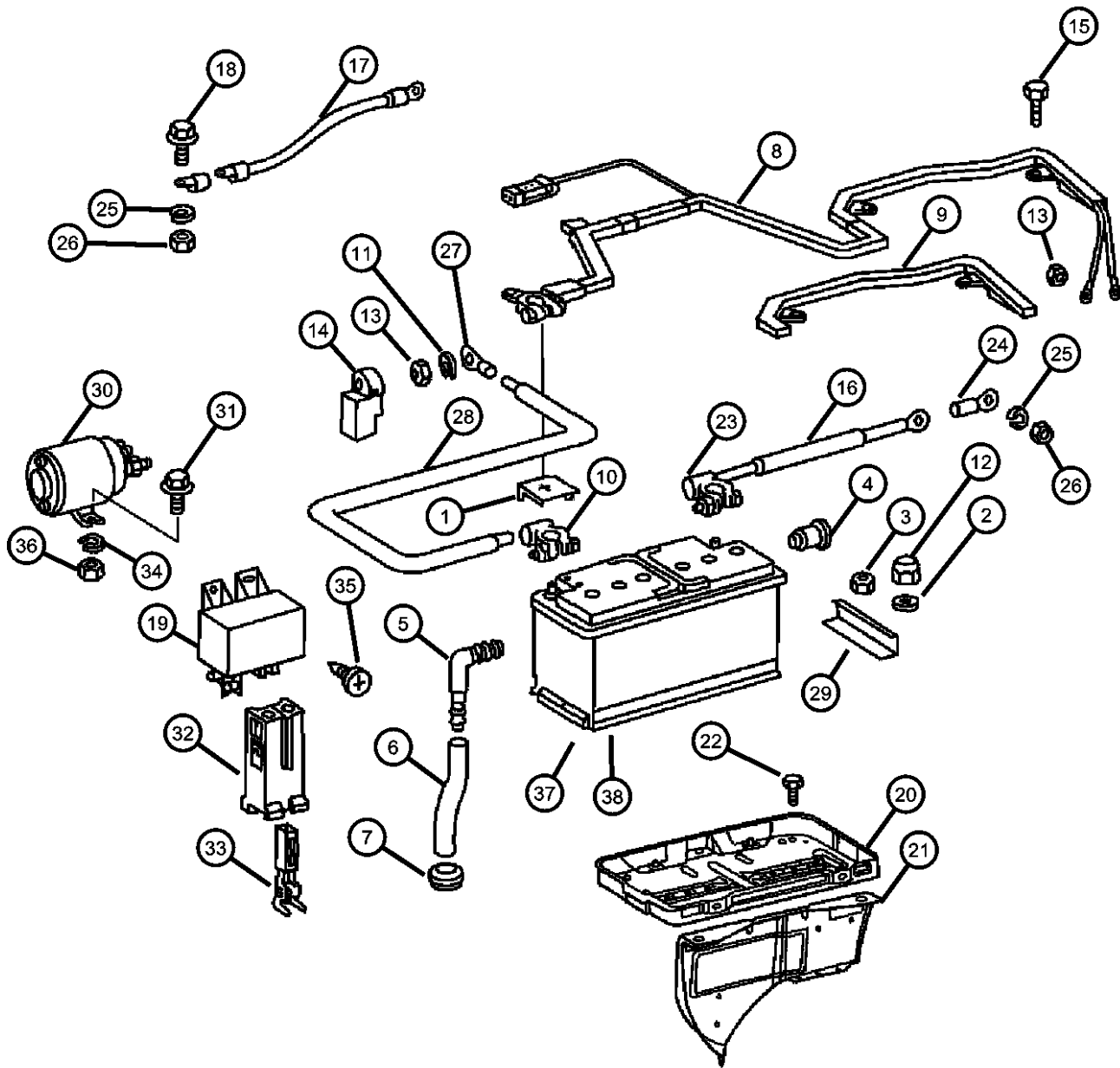
ITEM	PART NUMBER	QTY	LINE	SERIES	BODY	ENGINE	TRANS	TRIM	DESCRIPTION
14		1	3, 7	L	12, 15, 16	EX8	DGZ		COVER, Battery Terminal
	05120925AA	1	2, 6	L	01, 02, 06	EX8	DGZ		
		1	2, 6	L	11, 12, 14, 15, 16	EX8	DGZ		
		1	2, 6	L	51, 52, 54, 55, 56	EX8	DGZ		
		1	3, 7	L	02, 06	EX8	DGZ		
		1	3, 7	L	12, 15, 16	EX8	DGZ		
15									SCREW
	05073824AA	2	2, 6	L	01, 02, 06	EX8	DGZ		
		2	2, 6	L	11, 12, 14, 15, 16	EX8	DGZ		
		2	2, 6	L	51, 52, 54, 55, 56	EX8	DGZ		
		2	3, 7	L	02, 06	EX8	DGZ		
		2	3, 7	L	12, 15, 16	EX8	DGZ		
16									CABLE, Battery Negative
	05120219AA	1	2, 6	L	01, 02, 06	EX8	DGZ		
		1	2, 6	L	11, 12, 14, 15, 16	EX8	DGZ		
		1	2, 6	L	51, 52, 54, 55, 56	EX8	DGZ		
		1	3, 7	L	02, 06	EX8	DGZ		
		1	3, 7	L	12, 15, 16	EX8	DGZ		
	05133954AA	100	2, 6	L	01, 02, 06	EX8	DGZ		[BC1] 10 Meters Long
		100	2, 6	L	11, 12, 14, 15, 16	EX8	DGZ		[BC1] 10 Meters Long
		100	2, 6	L	51, 52, 54, 55, 56	EX8	DGZ		[BC1] 10 Meters Long
		100	3, 7	L	02, 06	EX8	DGZ		[BC1] 10 Meters Long
		100	3, 7	L	12, 15, 16	EX8	DGZ		[BC1] 10 Meters Long

SPRINTER (VA)

SERIES	LINE	BODY	ENGINE	TRANSMISSION
L = LOWLINE	3 = HD DODGE 2WD 8 = HD DODGE 4WD 6 = Lt. Duty DODGE 4WD 2 = Med. Duty DODGE 2WD 7 = Med. Duty DODGE 4WD 4 = TRUCK	01 = CHASSIS FORWARD CONTROL W.B.1 02 = CAB CHASSIS WHEEL BASE 2 06 = CAB CHASSIS WHEEL BASE 6 11 = VAN WHEEL BASE 1 12 = VAN WHEEL BASE 2 51 = WAGON WHEEL BASE 1 52 = WAGON WHEEL BASE 2 14 = VAN WHEEL BASE 4 15 = VAN WHEEL BASE 5 54 = WAGON WHEEL BASE 4 55 = WAGON WHEEL BASE 5 56 = WAGON WHEEL BASE 6 16 = VAN WHEEL BASE 6	EX8 = 2.7L I5 Turbo Diesel Engine EX9 = 2.7L I5 Mercedes-Benz TD Engine	DGJ = 5-Speed Automatic MB Transmission DGZ = 4-Spd. Automatic MT643 Transmission

AR = use ase required - = Non illustrated part

Battery Tray & Cables
Figure 8-1005



ITEM	PART NUMBER	QTY	LINE	SERIES	BODY	ENGINE	TRANS	TRIM	DESCRIPTION
17	05120226AA	1	2, 6	L	01, 02, 06	EX8	DGZ		STRAP, Ground
		1	2, 6	L	11, 12, 14, 15, 16	EX8	DGZ		
		1	2, 6	L	51, 52, 54, 55, 56	EX8	DGZ		
		1	3, 7	L	02, 06	EX8	DGZ		
		1	3, 7	L	12, 15, 16	EX8	DGZ		
18	05126259AA	1	3, 7	L	02, 06	EX8	DGZ		BOLT Ground cable to firewall
		1	2, 6	L	01, 02, 06	EX8	DGZ		Ground cable to firewall
		1	2, 6	L	11, 12, 14, 15, 16	EX8	DGZ		Ground cable to firewall
		1	2, 6	L	51, 52, 54, 55, 56	EX8	DGZ		Ground cable to firewall
	05126260AA	1	2, 6	L	51, 52, 54, 55, 56	EX8	DGZ		Ground cable to body
		1	3, 7	L	02, 06	EX8	DGZ		Ground cable to body
		1	3, 7	L	12, 15, 16	EX8	DGZ		Ground cable to body
		1	3, 7	L	12, 15, 16	EX8	DGZ		Ground cable to firewall
		1	2, 6	L	01, 02, 06	EX8	DGZ		Ground cable to body
		1	2, 6	L	11, 12, 14, 15, 16	EX8	DGZ		Ground cable to body
19	05120361AA	1	2, 6	L	01, 02, 06	EX8	DGZ		RELAY
		1	2, 6	L	11, 12, 14, 15, 16	EX8	DGZ		
		1	2, 6	L	51, 52, 54, 55, 56	EX8	DGZ		
		1	3, 7	L	02, 06	EX8	DGZ		
		1	3, 7	L	12, 15, 16	EX8	DGZ		
20									TRAY, Battery

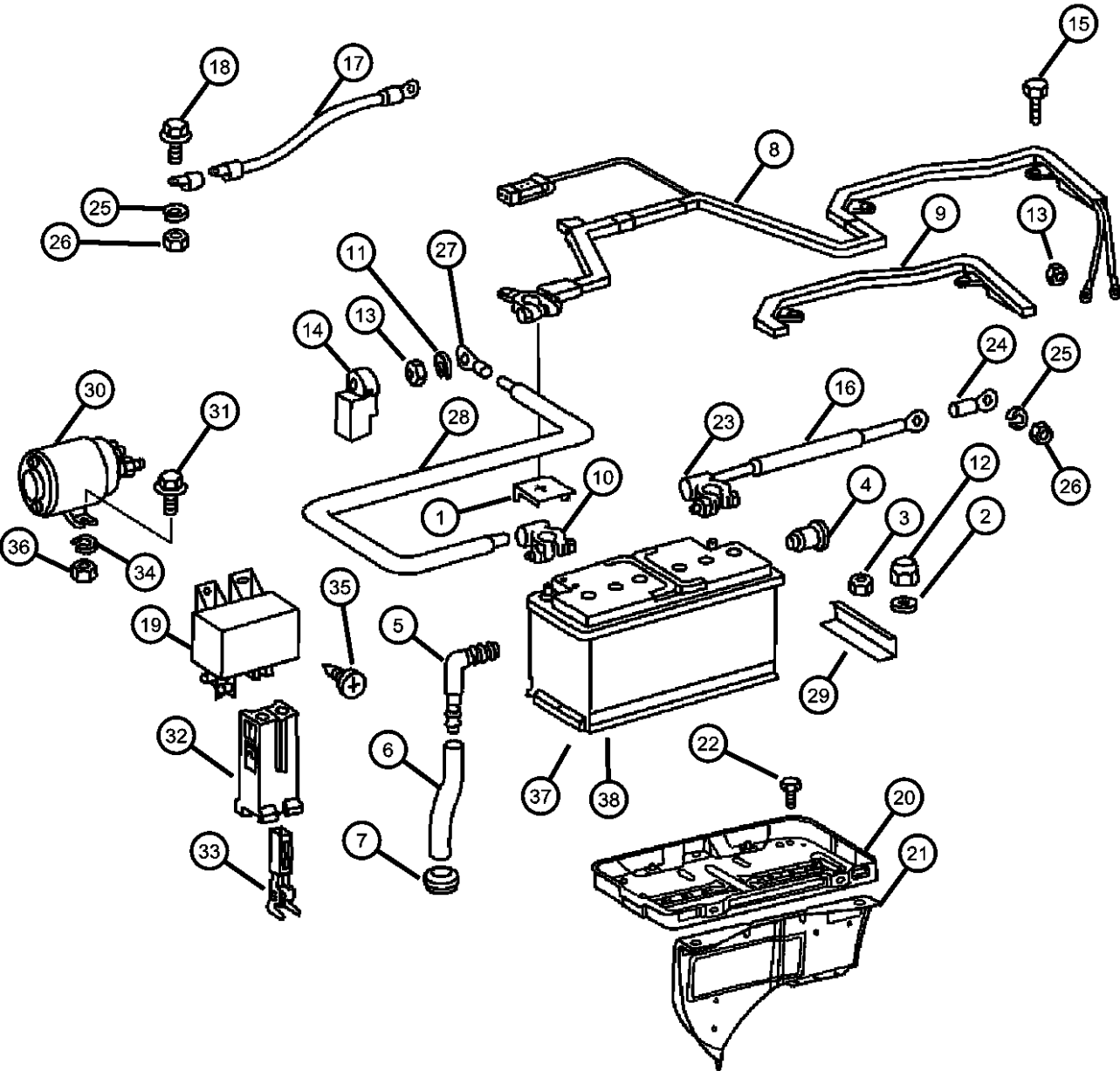
SPRINTER (VA)

SERIES	LINE	BODY	ENGINE	TRANSMISSION
L = LOWLINE	3 = HD DODGE 2WD 8 = HD DODGE 4WD 6 = Lt. Duty DODGE 4WD 2 = Med. Duty DODGE 2WD 7 = Med. Duty DODGE 4WD 4 = TRUCK	01 = CHASSIS FORWARD CONTROL W.B.1 02 = CAB CHASSIS WHEEL BASE 2 06 = CAB CHASSIS WHEEL BASE 6 11 = VAN WHEEL BASE 1 12 = VAN WHEEL BASE 2 51 = WAGON WHEEL BASE 1 52 = WAGON WHEEL BASE 2 14 = VAN WHEEL BASE 4 15 = VAN WHEEL BASE 5 54 = WAGON WHEEL BASE 4 55 = WAGON WHEEL BASE 5 56 = WAGON WHEEL BASE 6 16 = VAN WHEEL BASE 6	EX8 = 2.7L I5 Turbo Diesel Engine EX9 = 2.7L I5 Mercedes-Benz TD Engine	DGJ = 5-Speed Automatic MB Transmission DGZ = 4-Spd. Automatic MT643 Transmission

AR = use ase required - = Non illustrated part

Battery Tray & Cables

Figure 8-1005



ITEM	PART NUMBER	QTY	LINE	SERIES	BODY	ENGINE	TRANS	TRIM	DESCRIPTION
	05122170AA	1	2, 6	L	01, 02, 06	EX8	DGZ		[BC1]
	0VU01205								Repair Battery Terminal End Top Post (Ten Per Box)
	0VU01207								Repair Battery Terminal End Side Post (Ten Per Box)
	05125223AA	1	2, 6	L	11, 12, 14, 15, 16	EX8	DGZ		[BC1]
	0VU01205								Repair Battery Terminal End Top Post (Ten Per Box)
	0VU01207								Repair Battery Terminal End Side Post (Ten Per Box)
	05125223AA	1	2, 6	L	11, 12, 14, 15, 16	EX8	DGZ		[BC1]
	0VU01205								Repair Battery Terminal End Top Post (Ten Per Box)
	0VU01207								Repair Battery Terminal End Side Post (Ten Per Box)
	BA049850EX								Mopar Power Pro 6
	05152525AA	1	2, 6	L	51, 52, 54, 55, 56	EX8	DGZ		[BC1]
	0VU01205								Repair Battery Terminal End Top Post (Ten Per Box)
	0VU01207								Repair Battery Terminal End Side Post (Ten Per Box)
	BA049850EX								Mopar Power Pro 6
	05102525AA	1	3, 7	L	02, 06	EX8	DGZ		[BC1]
	0VU01205								Repair Battery Terminal End Top Post (Ten Per Box)
	0VU01207								Repair Battery Terminal End Side Post (Ten Per Box)
	BA049850EX								Mopar Power Pro 6
	05112525AA	1	3, 7	L	12, 15, 16	EX8	DGZ		[BC1]
	0VU01205								Repair Battery Terminal End Top Post (Ten Per Box)
	0VU01207								Repair Battery Terminal End Side Post (Ten Per Box)

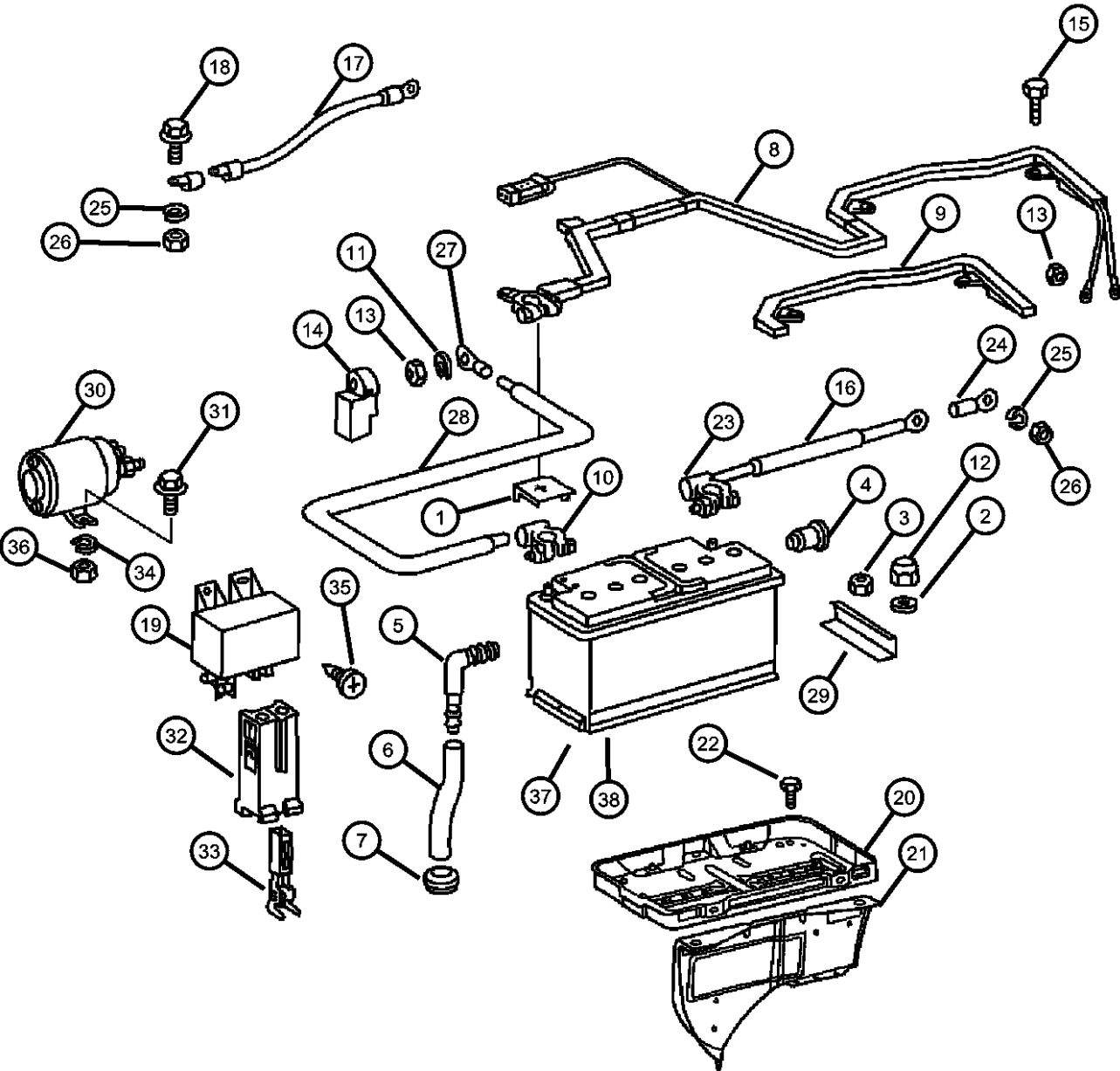
SPRINTER (VA)

SERIES	LINE	BODY	ENGINE	TRANSMISSION
L = LOWLINE	3 = HD DODGE 2WD 8 = HD DODGE 4WD 6 = Lt. Duty DODGE 4WD 2 = Med. Duty DODGE 2WD 7 = Med. Duty DODGE 4WD 4 = TRUCK	01 = CHASSIS FORWARD CONTROL W.B.1 02 = CAB CHASSIS WHEEL BASE 2 06 = CAB CHASSIS WHEEL BASE 6 11 = VAN WHEEL BASE 1 12 = VAN WHEEL BASE 2 51 = WAGON WHEEL BASE 1 52 = WAGON WHEEL BASE 2 14 = VAN WHEEL BASE 4 15 = VAN WHEEL BASE 5 54 = WAGON WHEEL BASE 4 55 = WAGON WHEEL BASE 5 56 = WAGON WHEEL BASE 6 16 = VAN WHEEL BASE 6	EX8 = 2.7L I5 Turbo Diesel Engine EX9 = 2.7L I5 Mercedes-Benz TD Engine	DGJ = 5-Speed Automatic MB Transmission DGZ = 4-Spd. Automatic MT643 Transmission

AR = use ase required - = Non illustrated part

Battery Tray & Cables

Figure 8-1005



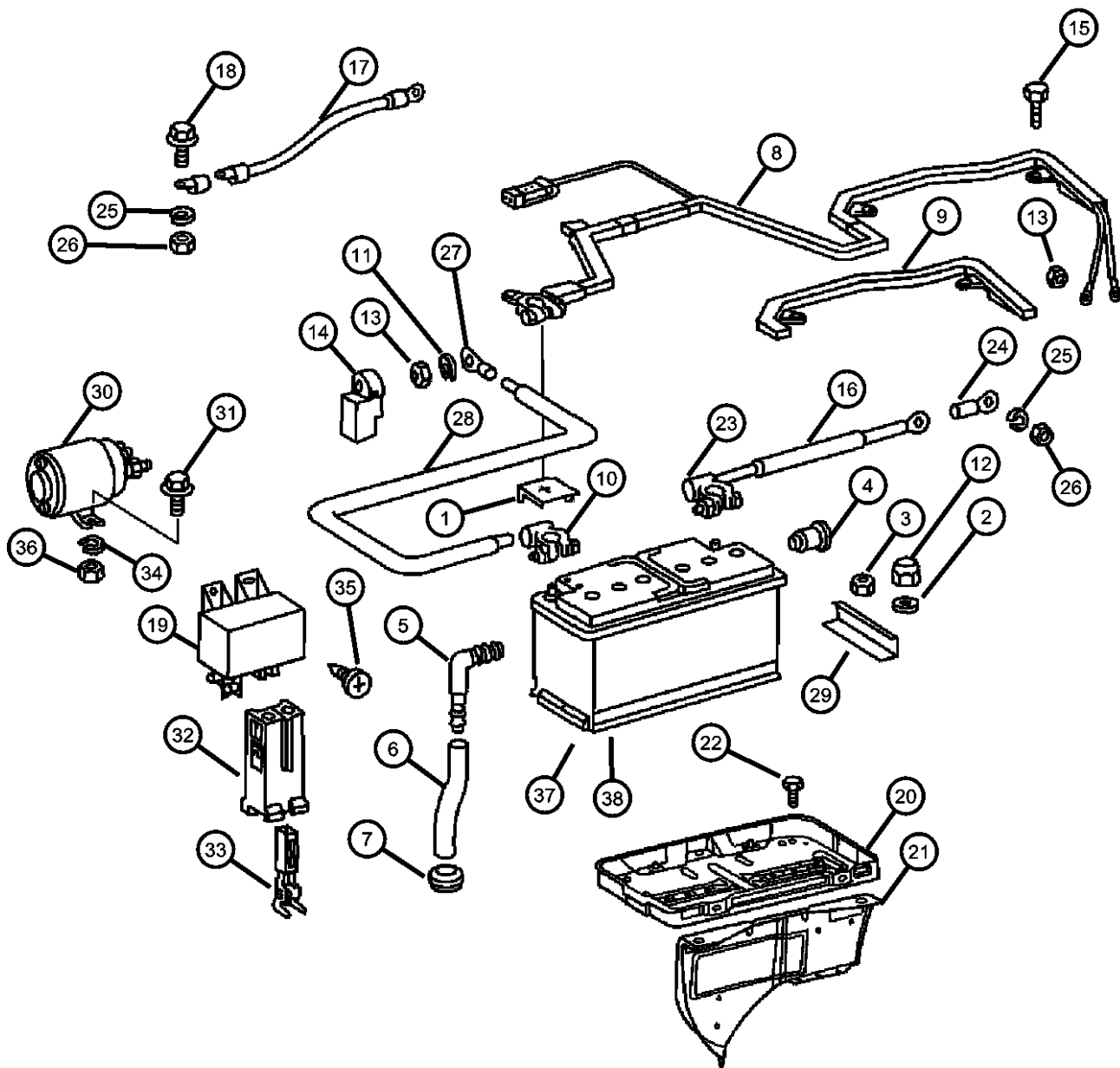
ITEM	PART NUMBER	QTY	LINE	SERIES	BODY	ENGINE	TRANS	TRIM	DESCRIPTION
	BA049850EX	1	2, 6	L	51, 52, 54, 55, 56	EX8	DGZ		Mopar Power Pro 6 [BC1]
	0VU01205								Repair Battery Terminal End Top Post (Ten Per Box)
	0VU01207								Repair Battery Terminal End Side Post (Ten Per Box)
	0VU01205	1	3, 7	L	02, 06	EX8	DGZ		[BC1]
	0VU01205								Repair Battery Terminal End Top Post (Ten Per Box)
	0VU01207								Repair Battery Terminal End Side Post (Ten Per Box)
	0VU01205	1	3, 7	L	12, 15, 16	EX8	DGZ		[BC1]
	0VU01205								Repair Battery Terminal End Top Post (Ten Per Box)
	0VU01207								Repair Battery Terminal End Side Post (Ten Per Box)
	0VU01205	1	2, 6	L	01, 02, 06	EX8	DGZ		
	0VU01205								Repair Battery Terminal End Top Post (Ten Per Box)
	0VU01207								Repair Battery Terminal End Side Post (Ten Per Box)
21	BA049850EX								Mopar Power Pro 6 BRACKET, Battery Tray
	05104157AA	1	2, 6	L	01, 02, 06	EX8	DGZ		
		1	2, 6	L	11, 12, 14, 15, 16	EX8	DGZ		
		1	2, 6	L	51, 52, 54, 55, 56	EX8	DGZ		
		1	3, 7	L	02, 06	EX8	DGZ		
		1	3, 7	L	12, 15, 16	EX8	DGZ		
22	05126227AA	2	2, 6	L	01, 02, 06	EX8	DGZ		BOLT, Hex Head

SPRINTER (VA)

SERIES	LINE	BODY	ENGINE	TRANSMISSION
L = LOWLINE	3 = HD DODGE 2WD 8 = HD DODGE 4WD 6 = Lt. Duty DODGE 4WD 2 = Med. Duty DODGE 2WD 7 = Med. Duty DODGE 4WD 4 = TRUCK	01 = CHASSIS FORWARD CONTROL W.B.1 02 = CAB CHASSIS WHEEL BASE 2 06 = CAB CHASSIS WHEEL BASE 6 11 = VAN WHEEL BASE 1 12 = VAN WHEEL BASE 2 51 = WAGON WHEEL BASE 1 52 = WAGON WHEEL BASE 2 14 = VAN WHEEL BASE 4 15 = VAN WHEEL BASE 5 54 = WAGON WHEEL BASE 4 55 = WAGON WHEEL BASE 5 56 = WAGON WHEEL BASE 6 16 = VAN WHEEL BASE 6	EX8 = 2.7L I5 Turbo Diesel Engine EX9 = 2.7L I5 Mercedes-Benz TD Engine	DGJ = 5-Speed Automatic MB Transmission DGZ = 4-Spd. Automatic MT643 Transmission

AR = use ase required - = Non illustrated part

Battery Tray & Cables
Figure 8-1005



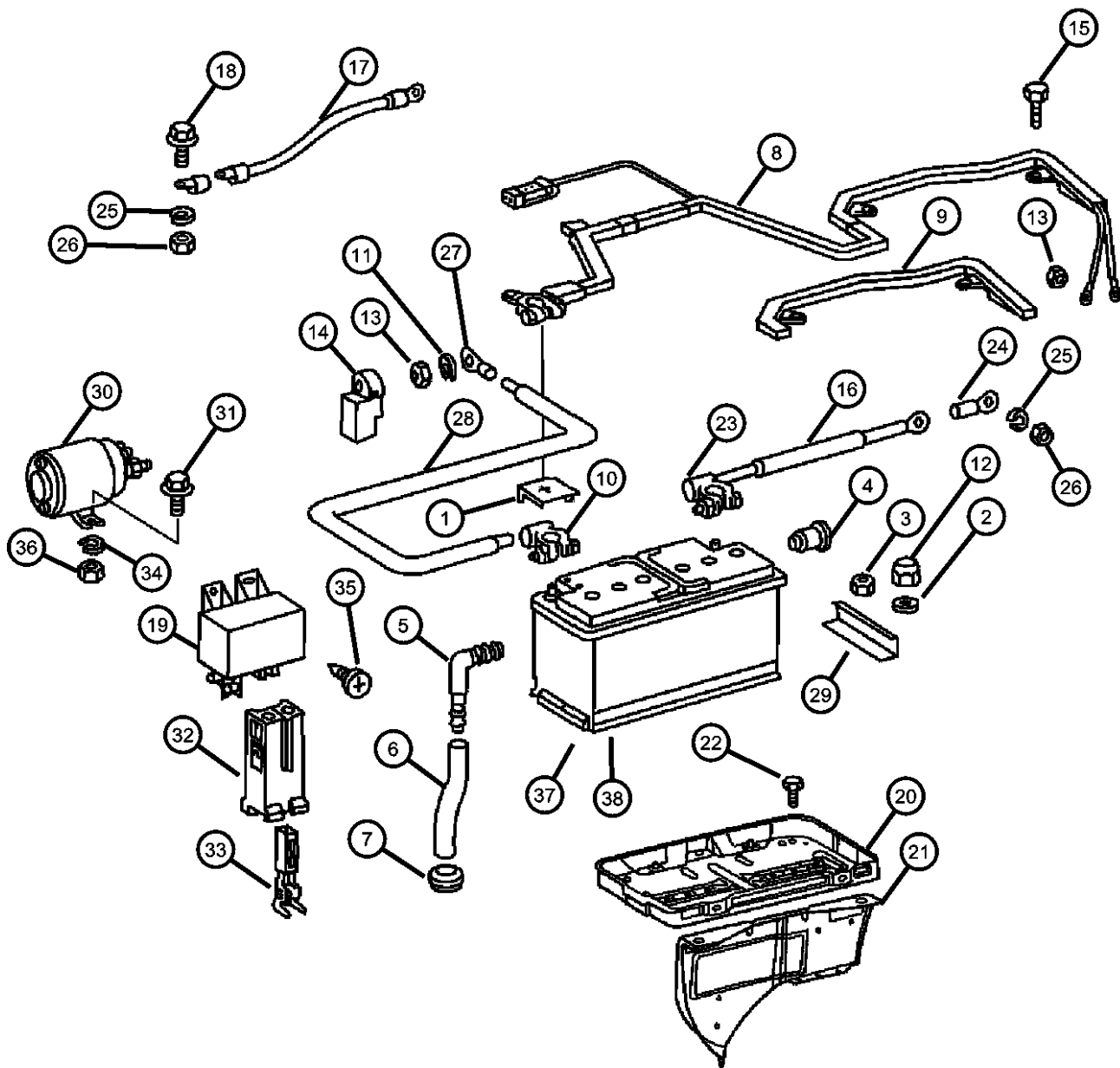
ITEM	PART NUMBER	QTY	LINE	SERIES	BODY	ENGINE	TRANS	TRIM	DESCRIPTION
		2	2, 6	L	11, 12, 14, 15, 16	EX8	DGZ		
		2	2, 6	L	51, 52, 54, 55, 56	EX8	DGZ		
		2	3, 7	L	02, 06	EX8	DGZ		
		2	3, 7	L	12, 15, 16	EX8	DGZ		
23									TERMINAL, Battery
	05133952AA	1	2, 6	L	01, 02, 06	EX8	DGZ		
		1	2, 6	L	11, 12, 14, 15, 16	EX8	DGZ		
		1	2, 6	L	51, 52, 54, 55, 56	EX8	DGZ		
		1	3, 7	L	02, 06	EX8	DGZ		
		1	3, 7	L	12, 15, 16	EX8	DGZ		
24									TERMINAL, Eyelet
	05133953AA	1	2, 6	L	01, 02, 06	EX8	DGZ		
		1	2, 6	L	11, 12, 14, 15, 16	EX8	DGZ		
		1	2, 6	L	51, 52, 54, 55, 56	EX8	DGZ		
		1	3, 7	L	02, 06	EX8	DGZ		
		1	3, 7	L	12, 15, 16	EX8	DGZ		
25									LOCK WASHER
	05104669AA	1	3, 7	L	02, 06	EX8	DGZ		
		1	3, 7	L	12, 15, 16	EX8	DGZ		
		1	2, 6	L	01, 02, 06	EX8	DGZ		
		1	2, 6	L	11, 12, 14, 15, 16	EX8	DGZ		
		1	2, 6	L	51, 52, 54, 55, 56	EX8	DGZ		
26									NUT
	05126206AA	99	2, 6	L	01, 02, 06	EX8	DGZ		

SPRINTER (VA)

SERIES	LINE	BODY	ENGINE	TRANSMISSION
L = LOWLINE	3 = HD DODGE 2WD 8 = HD DODGE 4WD 6 = Lt. Duty DODGE 4WD 2 = Med. Duty DODGE 2WD 7 = Med. Duty DODGE 4WD 4 = TRUCK	01 = CHASSIS FORWARD CONTROL W.B.1 02 = CAB CHASSIS WHEEL BASE 2 06 = CAB CHASSIS WHEEL BASE 6 11 = VAN WHEEL BASE 1 12 = VAN WHEEL BASE 2 51 = WAGON WHEEL BASE 1 52 = WAGON WHEEL BASE 2 14 = VAN WHEEL BASE 4 15 = VAN WHEEL BASE 5 54 = WAGON WHEEL BASE 4 55 = WAGON WHEEL BASE 5 56 = WAGON WHEEL BASE 6 16 = VAN WHEEL BASE 6	EX8 = 2.7L I5 Turbo Diesel Engine EX9 = 2.7L I5 Mercedes-Benz TD Engine	DGJ = 5-Speed Automatic MB Transmission DGZ = 4-Spd. Automatic MT643 Transmission

AR = use ase required - = Non illustrated part

Battery Tray & Cables
Figure 8-1005



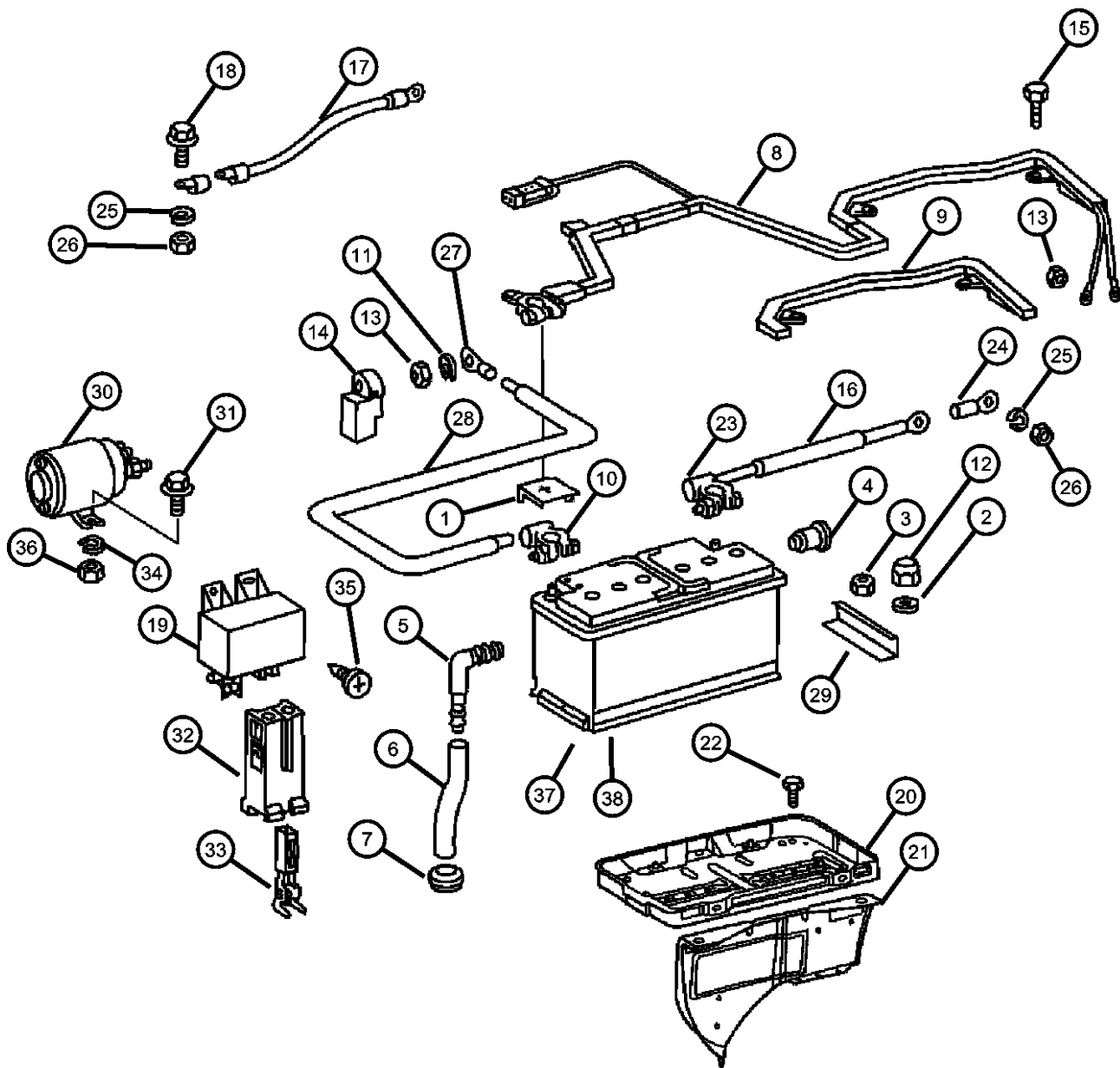
ITEM	PART NUMBER	QTY	LINE	SERIES	BODY	ENGINE	TRANS	TRIM	DESCRIPTION
		99	2, 6	L	11, 12, 14, 15, 16	EX8	DGZ		
		99	3, 7	L	12, 15, 16	EX8	DGZ		
		99	2, 6	L	51, 52, 54, 55, 56	EX8	DGZ		
		99	3, 7	L	02, 06	EX8	DGZ		
27									TERMINAL
	05133950AA	1	2, 6	L	01, 02, 06	EX8	DGZ		
		1	2, 6	L	11, 12, 14, 15, 16	EX8	DGZ		
		1	2, 6	L	51, 52, 54, 55, 56	EX8	DGZ		
		1	3, 7	L	02, 06	EX8	DGZ		
		1	3, 7	L	12, 15, 16	EX8	DGZ		
28									CABLE, Battery Positive
	05133949AA	900	2, 6	L	01, 02, 06	EX8	DGZ		10 Meters Long
		900	2, 6	L	11, 12, 14, 15, 16	EX8	DGZ		10 Meters Long
		900	2, 6	L	51, 52, 54, 55, 56	EX8	DGZ		10 Meters Long
		900	3, 7	L	02, 06	EX8	DGZ		10 Meters Long
		900	3, 7	L	12, 15, 16	EX8	DGZ		10 Meters Long
29									RAIL
	05121607AA	2	2, 6	L	11, 12, 14, 15, 16	EX8	DGZ		
		2	2, 6	L	51, 52, 54, 55, 56	EX8	DGZ		
		2	3, 7	L	02, 06	EX8	DGZ		
		2	3, 7	L	12, 15, 16	EX8	DGZ		
		2	2, 6	L	01, 02, 06	EX8	DGZ		
30									RELAY
	05133946AA	1	2, 6	L	01, 02, 06	EX8	DGZ		

SPRINTER (VA)

SERIES	LINE	BODY	ENGINE	TRANSMISSION
L = LOWLINE	3 = HD DODGE 2WD 8 = HD DODGE 4WD 6 = Lt. Duty DODGE 4WD 2 = Med. Duty DODGE 2WD 7 = Med. Duty DODGE 4WD 4 = TRUCK	01 = CHASSIS FORWARD CONTROL W.B.1 02 = CAB CHASSIS WHEEL BASE 2 06 = CAB CHASSIS WHEEL BASE 6 11 = VAN WHEEL BASE 1 12 = VAN WHEEL BASE 2 51 = WAGON WHEEL BASE 1 52 = WAGON WHEEL BASE 2 14 = VAN WHEEL BASE 4 15 = VAN WHEEL BASE 5 54 = WAGON WHEEL BASE 4 55 = WAGON WHEEL BASE 5 56 = WAGON WHEEL BASE 6 16 = VAN WHEEL BASE 6	EX8 = 2.7L I5 Turbo Diesel Engine EX9 = 2.7L I5 Mercedes-Benz TD Engine	DGJ = 5-Speed Automatic MB Transmission DGZ = 4-Spd. Automatic MT643 Transmission

AR = use ase required - = Non illustrated part

Battery Tray & Cables
Figure 8-1005



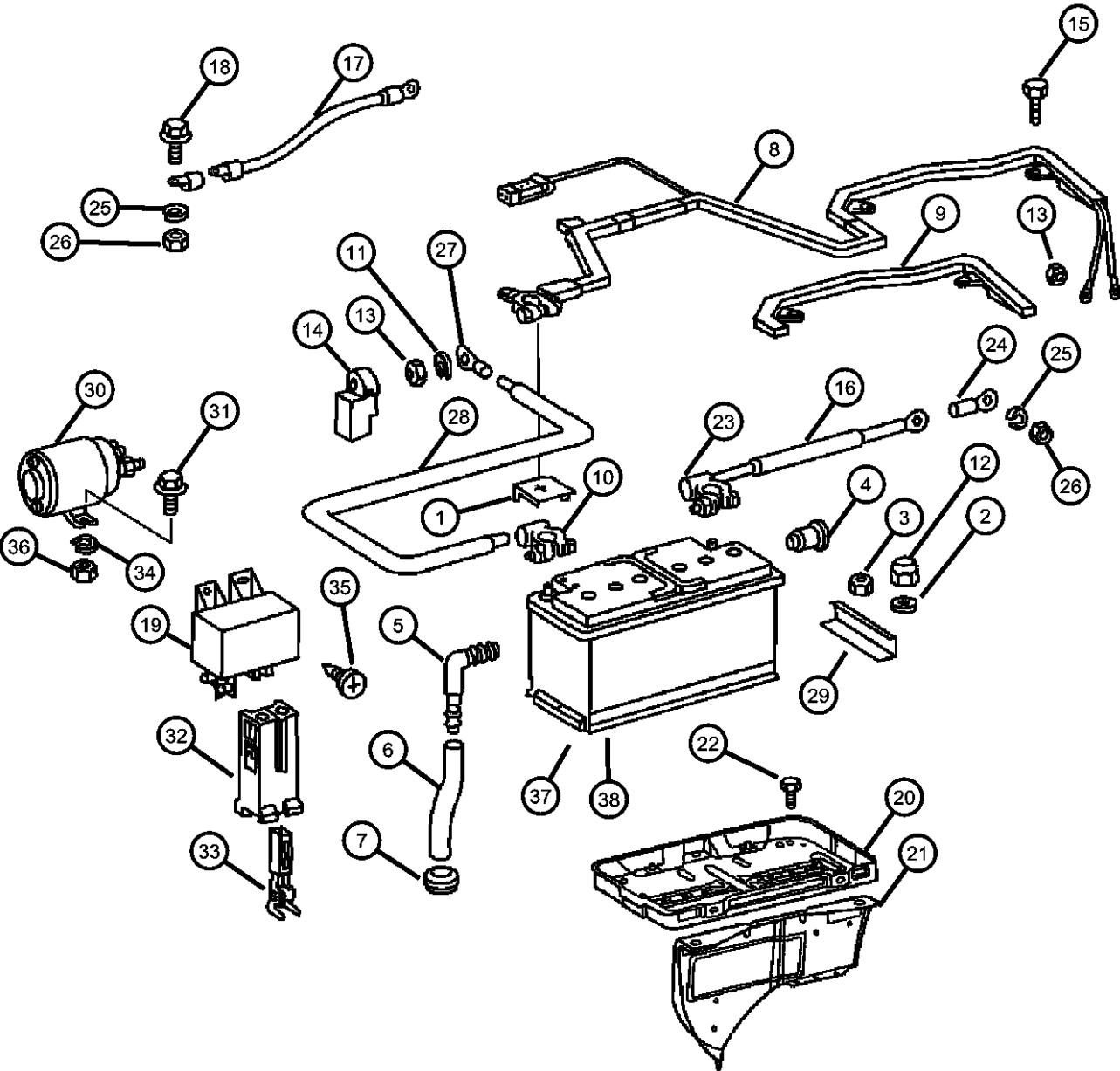
ITEM	PART NUMBER	QTY	LINE	SERIES	BODY	ENGINE	TRANS	TRIM	DESCRIPTION
		1	2, 6	L	11, 12, 14, 15, 16	EX8	DGZ		
		1	2, 6	L	51, 52, 54, 55, 56	EX8	DGZ		
		1	3, 7	L	06, 02	EX8	DGZ		
		1	3, 7	L	12, 15, 16	EX8	DGZ		
31									BOLT
	05133947AA	2	2, 6	L	01, 02, 06	EX8	DGZ		
		2	2, 6	L	11, 12, 14, 15, 16	EX8	DGZ		
		2	2, 6	L	51, 52, 54, 55, 56	EX8	DGZ		
		2	3, 7	L	02, 06	EX8	DGZ		
		2	3, 7	L	12, 15, 16	EX8	DGZ		
32									CONNECTOR
	05133944AA	1	2, 6	L	01, 02, 06	EX8	DGZ		
		1	2, 6	L	11, 12, 14, 15, 16	EX8	DGZ		
		1	2, 6	L	51, 52, 54, 55, 56	EX8	DGZ		
		1	3, 7	L	02, 06	EX8	DGZ		
		1	3, 7	L	12, 15, 16	EX8	DGZ		
33									TERMINAL
	05133945AA	1	2, 6	L	02, 06, 01	EX8	DGZ		
		1	6, 2	L	11, 12, 14, 15, 16	EX8	DGZ		
		1	2, 6	L	51, 52, 54, 55, 56	EX8	DGZ		
		2	3, 7	L	02, 06	EX8	DGZ		
		2	3, 7	L	12, 15, 16	EX8	DGZ		
34									WASHER, Lock
	05104668AA	2	2, 6	L	01, 02, 06	EX8	DGZ		

SPRINTER (VA)

SERIES	LINE	BODY	ENGINE	TRANSMISSION
L = LOWLINE	3 = HD DODGE 2WD 8 = HD DODGE 4WD 6 = Lt. Duty DODGE 4WD 2 = Med. Duty DODGE 2WD 7 = Med. Duty DODGE 4WD 4 = TRUCK	01 = CHASSIS FORWARD CONTROL W.B.1 02 = CAB CHASSIS WHEEL BASE 2 06 = CAB CHASSIS WHEEL BASE 6 11 = VAN WHEEL BASE 1 12 = VAN WHEEL BASE 2 51 = WAGON WHEEL BASE 1 52 = WAGON WHEEL BASE 2 14 = VAN WHEEL BASE 4 15 = VAN WHEEL BASE 5 54 = WAGON WHEEL BASE 4 55 = WAGON WHEEL BASE 5 56 = WAGON WHEEL BASE 6 16 = VAN WHEEL BASE 6	EX8 = 2.7L I5 Turbo Diesel Engine EX9 = 2.7L I5 Mercedes-Benz TD Engine	DGJ = 5-Speed Automatic MB Transmission DGZ = 4-Spd. Automatic MT643 Transmission

AR = use ase required - = Non illustrated part

Battery Tray & Cables
Figure 8-1005



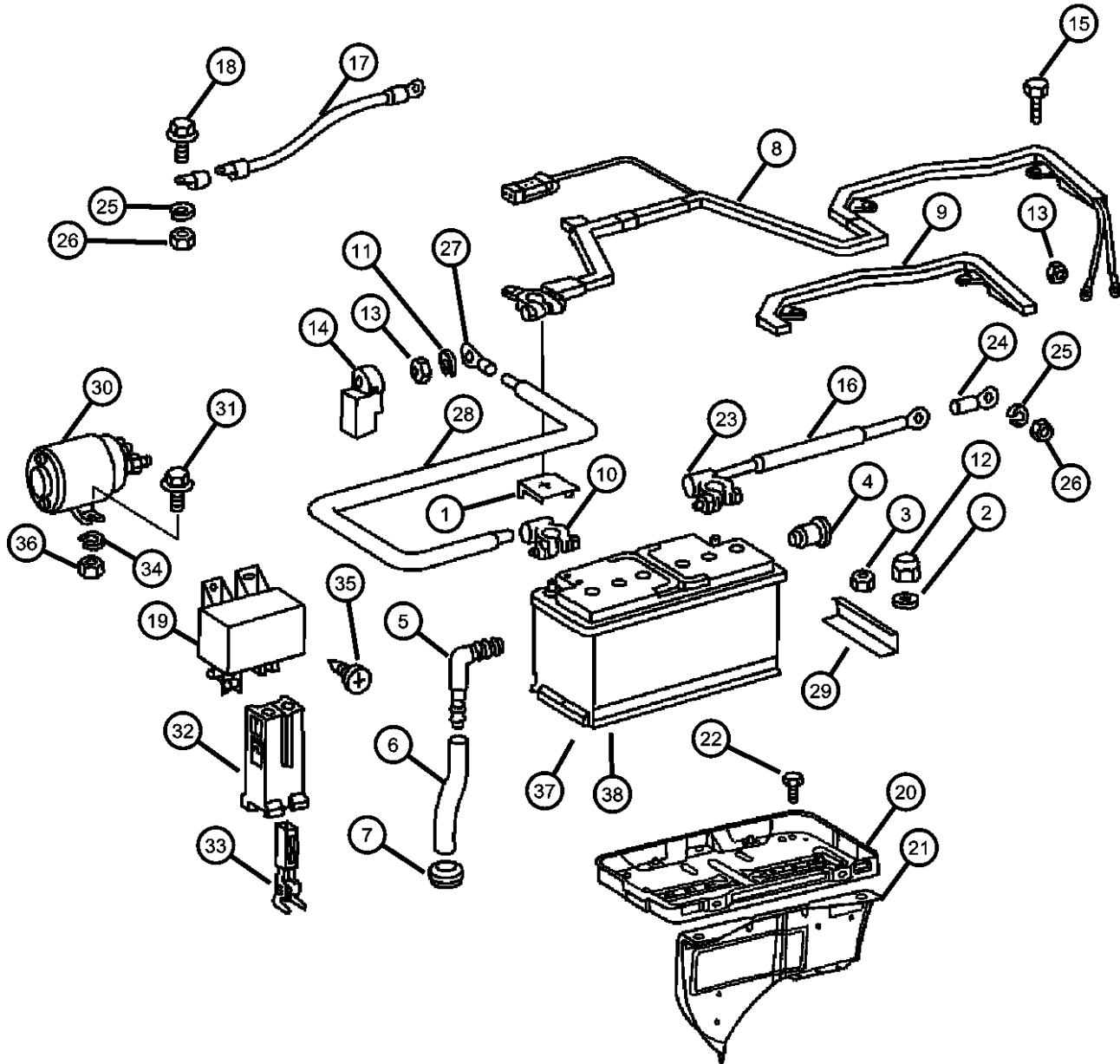
ITEM	PART NUMBER	QTY	LINE	SERIES	BODY	ENGINE	TRANS	TRIM	DESCRIPTION
		2	2, 6	L	11, 12, 14, 15, 16	EX8	DGZ		
		2	2, 6	L	51, 52, 54, 55, 56	EX8	DGZ		
		2	3, 7	L	02, 06	EX8	DGZ		
		2	3, 7	L	12, 15, 16	EX8	DGZ		
35									SCREW
	05104609AA	2	2, 6	L	11, 12, 14, 15, 16	EX8	DGZ		
		2	2, 6	L	51, 52, 54, 55, 56	EX8	DGZ		
		2	2, 6	L	01, 02, 06	EX8	DGZ		
		2	3, 7	L	02, 06	EX8	DGZ		
		2	3, 7	L	12, 15, 16	EX8	DGZ		
36									NUT, Hex
	05133948AA	2	3, 7	L	02, 06	EX8	DGZ		
		2	3, 7	L	12, 15, 16	EX8	DGZ		
		2	2, 6	L	01, 02, 06	EX8	DGZ		
		2	2, 6	L	11, 12, 14, 15, 16	EX8	DGZ		
		2	2, 6	L	51, 52, 54, 55, 56	EX8	DGZ		
37									BATTERY
	05133941AA	1	2, 6	L	01, 02, 06	EX8	DGZ		
	BB049850AA								Mopar Replacement Battery (72 Series)
		1	2, 6	L	11, 12, 14, 15, 16	EX8	DGZ		
	BB049850AA								Mopar Replacement Battery (72 Series)
		1	2, 6	L	51, 52, 54, 55, 56	EX8	DGZ		

SPRINTER (VA)

SERIES	LINE	BODY	ENGINE	TRANSMISSION
L = LOWLINE	3 = HD DODGE 2WD 8 = HD DODGE 4WD 6 = Lt. Duty DODGE 4WD 2 = Med. Duty DODGE 2WD 7 = Med. Duty DODGE 4WD 4 = TRUCK	01 = CHASSIS FORWARD CONTROL W.B.1 02 = CAB CHASSIS WHEEL BASE 2 06 = CAB CHASSIS WHEEL BASE 6 11 = VAN WHEEL BASE 1 12 = VAN WHEEL BASE 2 51 = WAGON WHEEL BASE 1 52 = WAGON WHEEL BASE 2 14 = VAN WHEEL BASE 4 15 = VAN WHEEL BASE 5 54 = WAGON WHEEL BASE 4 55 = WAGON WHEEL BASE 5 56 = WAGON WHEEL BASE 6 16 = VAN WHEEL BASE 6	EX8 = 2.7L I5 Turbo Diesel Engine EX9 = 2.7L I5 Mercedes-Benz TD Engine	DGJ = 5-Speed Automatic MB Transmission DGZ = 4-Spd. Automatic MT643 Transmission

AR = use ase required - = Non illustrated part

Battery Tray & Cables
Figure 8-1005



ITEM	PART NUMBER	QTY	LINE	SERIES	BODY	ENGINE	TRANS	TRIM	DESCRIPTION
	BB049850AA								Mopar Replacement Battery (72 Series)
	BB049850AA	1	3, 7	L	02, 06	EX8	DGZ		Mopar Replacement Battery (72 Series)
	BB049850AA	1	3, 7	L	12, 15, 16	EX8	DGZ		Mopar Replacement Battery (72 Series)
38	BB049850AA	1	2, 6	L	11, 12, 14, 15, 16	EX8	DGZ		BATTERY, Storage With [BDC]
	BB049850AA	1	2, 6	L	51, 52, 54, 55, 56	EX8	DGZ		With [BDC]
	BB049850AA	1	3, 7	L	02, 06	EX8	DGZ		With [BDC]
	BB049850AA	1	3, 7	L	12, 15, 16	EX8	DGZ		With [BDC]
	BB049850AA	1	2, 6	L	01, 02, 06	EX8	DGZ		With [BDC]

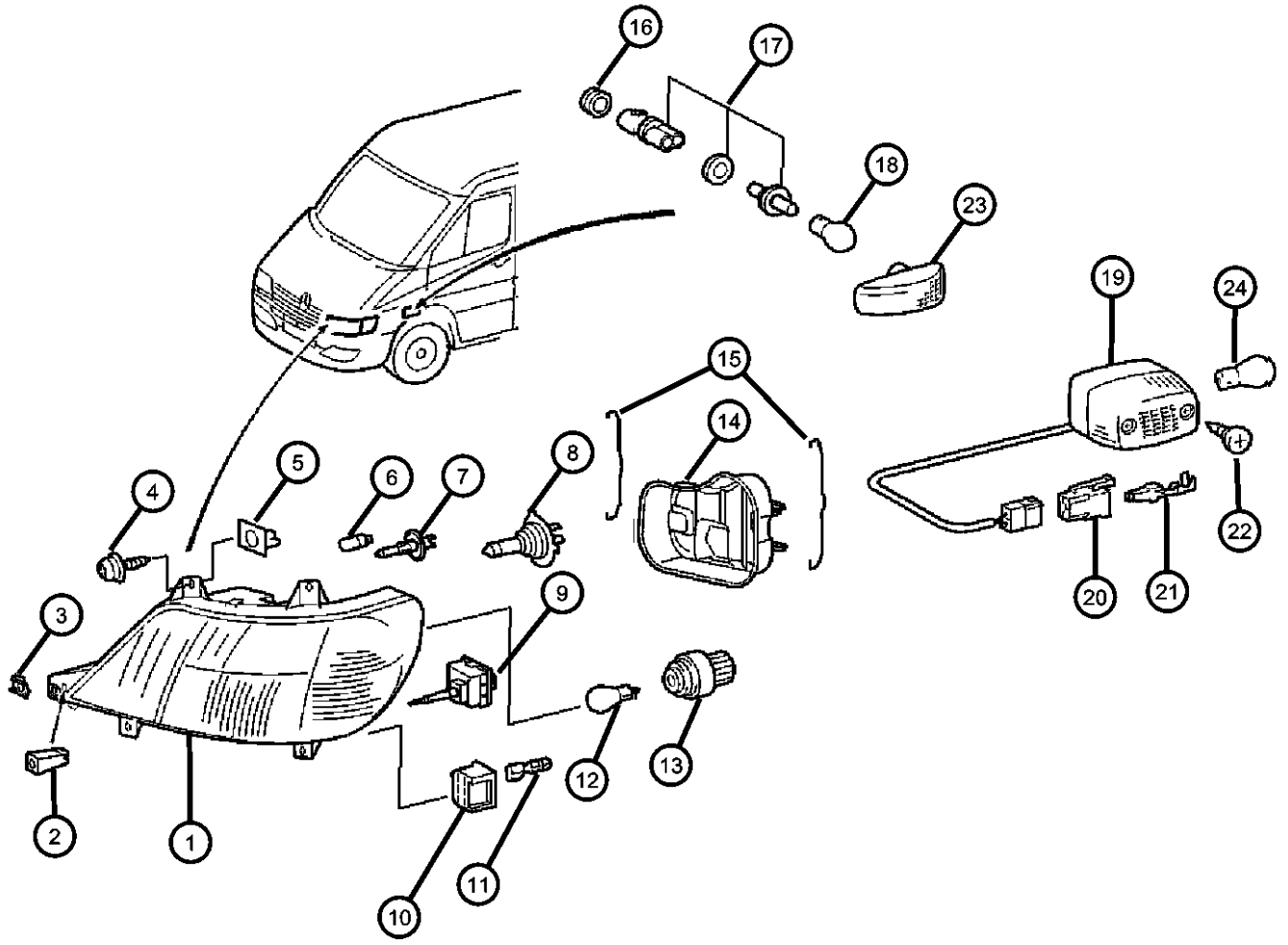
SPRINTER (VA)

SERIES	LINE	BODY	ENGINE	TRANSMISSION
L = LOWLINE	3 = HD DODGE 2WD 8 = HD DODGE 4WD 6 = Lt. Duty DODGE 4WD 2 = Med. Duty DODGE 2WD 7 = Med. Duty DODGE 4WD 4 = TRUCK	01 = CHASSIS FORWARD CONTROL W.B.1 02 = CAB CHASSIS WHEEL BASE 2 06 = CAB CHASSIS WHEEL BASE 6 11 = VAN WHEEL BASE 1 12 = VAN WHEEL BASE 2 51 = WAGON WHEEL BASE 1 52 = WAGON WHEEL BASE 2 14 = VAN WHEEL BASE 4 15 = VAN WHEEL BASE 5 54 = WAGON WHEEL BASE 4 55 = WAGON WHEEL BASE 5 56 = WAGON WHEEL BASE 6 16 = VAN WHEEL BASE 6	EX8 = 2.7L I5 Turbo Diesel Engine EX9 = 2.7L I5 Mercedes-Benz TD Engine	DGJ = 5-Speed Automatic MB Transmission DGZ = 4-Spd. Automatic MT643 Transmission

AR = use ase required - = Non illustrated part

Lamps - Front End
Figure 8-1105

ITEM	PART NUMBER	QTY	LINE	SERIES	BODY	ENGINE	TRANS	TRIM	DESCRIPTION
1									LAMP, Headlamp Park And Turn
	05103598AA	1	6	L	01, 02, 06	EX8	DGZ		[MGQ], Left
		1	6	L	11, 12, 14, 15, 16	EX8	DGZ		[MGQ], Left
		1	6	L	51, 52, 54, 55, 56	EX8	DGZ		[MGQ], Left
		1	7	L	02, 06	EX8	DGZ		[MGQ], Left
		1	7	L	12, 15, 16	EX8	DGZ		[MGQ], Left
	05103599AA	1	6	L	01, 02, 06	EX8	DGZ		[MGQ], Right
		1	6	L	11, 12, 14, 15, 16	EX8	DGZ		[MGQ], Right
		1	6	L	51, 52, 54, 55, 56	EX8	DGZ		[MGQ], Right
		1	7	L	02, 06	EX8	DGZ		[MGQ], Right
		1	7	L	12, 15, 16	EX8	DGZ		[MGQ], Right
	05104469AA	1	6	L	01, 02, 06	EX8	DGZ		[LNJ,MGQ], Right
		1	6	L	11, 12, 14, 15, 16	EX8	DGZ		[LNJ,MGQ], Right
		1	6	L	51, 52, 54, 55, 56	EX8	DGZ		[LNJ,MGQ], Right
		1	7	L	02, 06	EX8	DGZ		[LNJ,MGQ], Right
		1	7	L	12, 15, 16	EX8	DGZ		[LNJ,MGQ], Right
	05124510AA	1	6	L	01, 02, 06	EX8	DGZ		[LNJ,MGQ], Left
		1	6	L	11, 12, 14, 15, 16	EX8	DGZ		[LNJ,MGQ], Left
		1	6	L	51, 52, 54, 55, 56	EX8	DGZ		[LNJ,MGQ], Left
		1	7	L	02, 06	EX8	DGZ		[LNJ,MGQ], Left
		1	7	L	12, 15, 16	EX8	DGZ		[LNJ,MGQ], Left
	05124526AA	1	2	L	01, 02, 06	EX8	DGZ		[MG4], Left
		1	2	L	11, 12, 14, 15, 16	EX8	DGZ		[MG4], Left
		1	2	L	51, 52, 54, 55, 56	EX8	DGZ		[MG4], Left



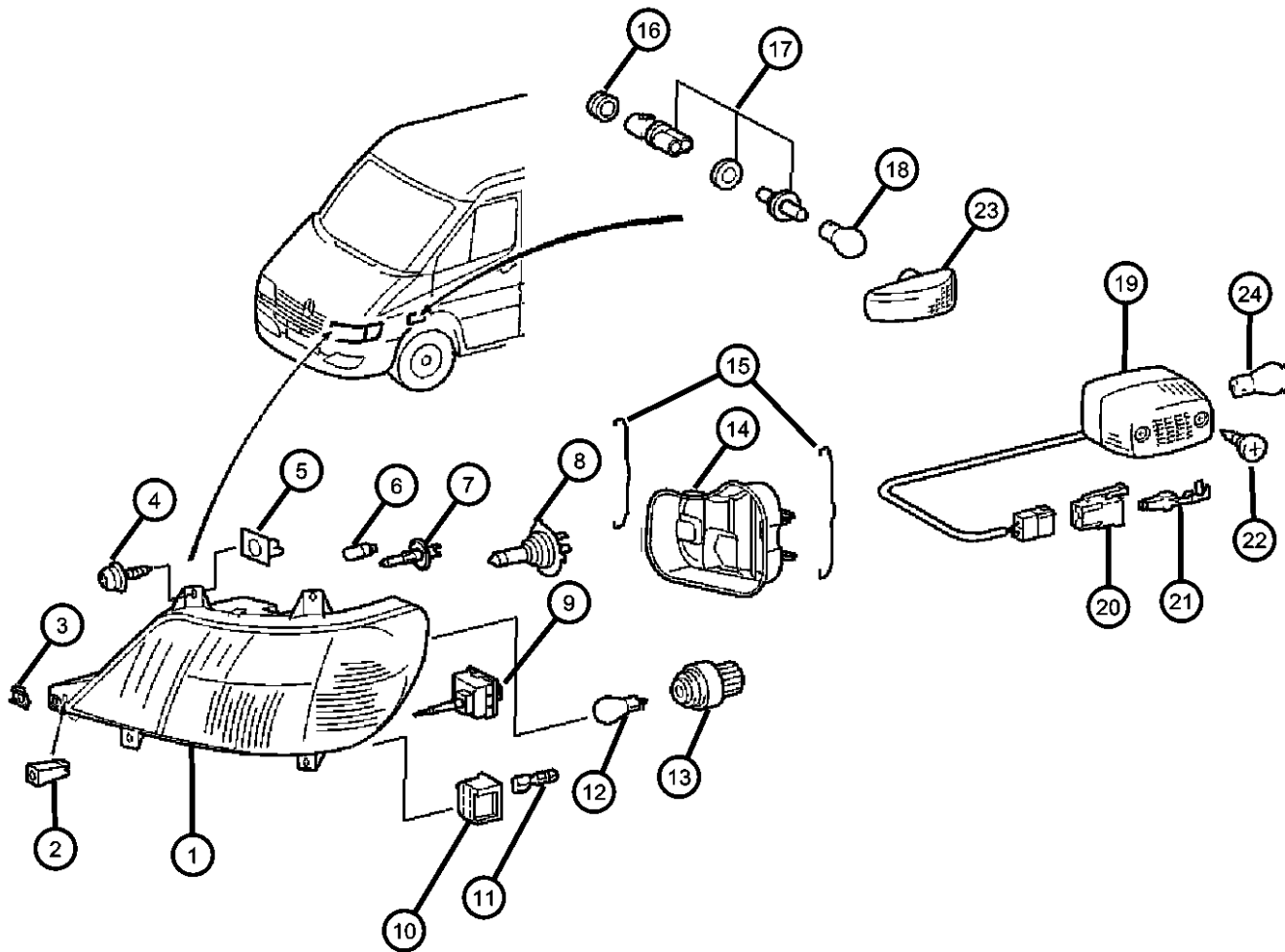
SPRINTER (VA)

SERIES	LINE	BODY	ENGINE	TRANSMISSION
L = LOWLINE	3 = HD DODGE 2WD 8 = HD DODGE 4WD 6 = Lt. Duty DODGE 4WD 2 = Med. Duty DODGE 2WD 7 = Med. Duty DODGE 4WD 4 = TRUCK	01 = CHASSIS FORWARD CONTROL W.B.1 02 = CAB CHASSIS WHEEL BASE 2 06 = CAB CHASSIS WHEEL BASE 6 11 = VAN WHEEL BASE 1 12 = VAN WHEEL BASE 2 51 = WAGON WHEEL BASE 1 52 = WAGON WHEEL BASE 2 14 = VAN WHEEL BASE 4 15 = VAN WHEEL BASE 5 54 = WAGON WHEEL BASE 4 55 = WAGON WHEEL BASE 5 56 = WAGON WHEEL BASE 6 16 = VAN WHEEL BASE 6	EX8 = 2.7L I5 Turbo Diesel Engine EX9 = 2.7L I5 Mercedes-Benz TD Engine	DGJ = 5-Speed Automatic MB Transmission DGZ = 4-Spd. Automatic MT643 Transmission

AR = use ase required - = Non illustrated part

2006 VA

Lamps - Front End
Figure 8-1105



ITEM	PART NUMBER	QTY	LINE	SERIES	BODY	ENGINE	TRANS	TRIM	DESCRIPTION
		1	3	L	02, 06	EX8	DGZ		[MG4], Left
		1	3	L	12, 15, 16	EX8	DGZ		[MG4], Left
	05124528AA	1	2	L	01, 02, 06	EX8	DGZ		[MG4], Right
		1	2	L	11, 12, 14, 15, 16	EX8	DGZ		[MG4], Right
		1	2	L	51, 52, 54, 55, 56	EX8	DGZ		[MG4], Right
		1	3	L	02, 06	EX8	DGZ		[MG4], Right
		1	3	L	12, 15, 16	EX8	DGZ		[MG4], Right
	05124529AA	1	2	L	01, 02, 06	EX8	DGZ		[MG4, LNJ]
		1	2	L	11, 12, 14, 15, 16	EX8	DGZ		[MG4, LNJ]
		1	2	L	51, 52, 54, 55, 56	EX8	DGZ		[MG4, LNJ]
		1	3	L	02, 06	EX8	DGZ		[MG4, LNJ]
		1	3	L	12, 15, 16	EX8	DGZ		[MG4, LNJ]
	05124531AA	1	2	L	01, 02, 06	EX8	DGZ		[MG4, LNJ], Right
		1	2	L	11, 12, 14, 15, 16	EX8	DGZ		[MG4, LNJ], Right
		1	2	L	51, 52, 54, 55, 56	EX8	DGZ		[MG4, LNJ], Right
		1	3	L	02, 06	EX8	DGZ		[MG4, LNJ], Right
		1	3	L	12, 15, 16	EX8	DGZ		[MG4, LNJ], Right
2	05103784AA	2	2, 6	L	01, 02, 06	EX8	DGZ		NUT, Push In
		2	2, 6	L	11, 12, 14, 15, 16	EX8	DGZ		
		2	2, 6	L	51, 52, 54, 55, 56	EX8	DGZ		
		2	3, 7	L	02, 06	EX8	DGZ		
		2	3, 7	L	12, 15, 16	EX8	DGZ		
3									NUT, Spring U Type

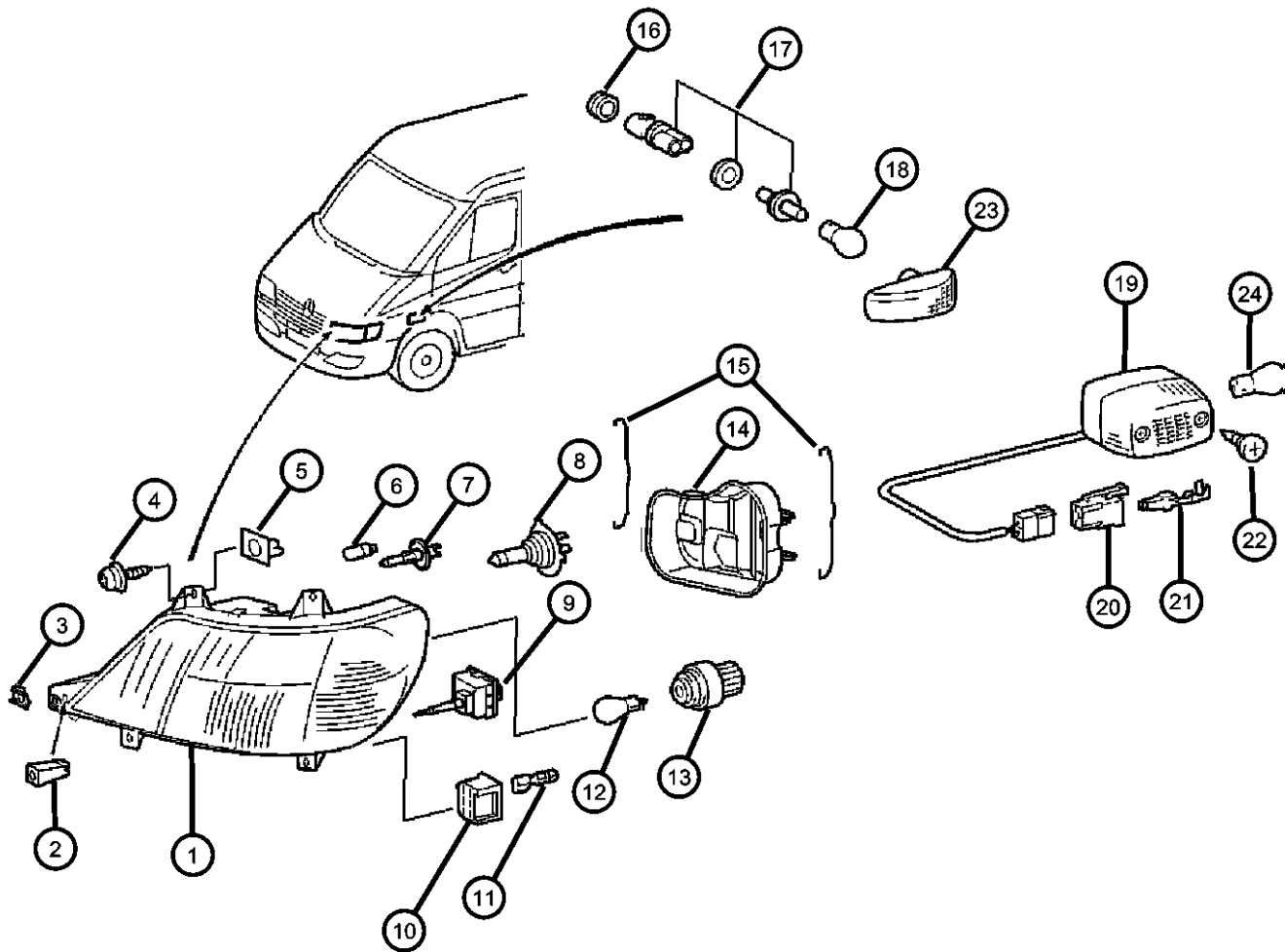
SPRINTER (VA)

SERIES	LINE	BODY	ENGINE	TRANSMISSION
L = LOWLINE	3 = HD DODGE 2WD 8 = HD DODGE 4WD 6 = Lt. Duty DODGE 4WD 2 = Med. Duty DODGE 2WD 7 = Med. Duty DODGE 4WD 4 = TRUCK	01 = CHASSIS FORWARD CONTROL W.B.1 02 = CAB CHASSIS WHEEL BASE 2 06 = CAB CHASSIS WHEEL BASE 6 11 = VAN WHEEL BASE 1 12 = VAN WHEEL BASE 2 51 = WAGON WHEEL BASE 1 52 = WAGON WHEEL BASE 2 14 = VAN WHEEL BASE 4 15 = VAN WHEEL BASE 5 54 = WAGON WHEEL BASE 4 55 = WAGON WHEEL BASE 5 56 = WAGON WHEEL BASE 6 16 = VAN WHEEL BASE 6	EX8 = 2.7L I5 Turbo Diesel Engine EX9 = 2.7L I5 Mercedes-Benz TD Engine	DGJ = 5-Speed Automatic MB Transmission DGZ = 4-Spd. Automatic MT643 Transmission

AR = use ase required - = Non illustrated part

2006 VA

Lamps - Front End
Figure 8-1105



ITEM	PART NUMBER	QTY	LINE	SERIES	BODY	ENGINE	TRANS	TRIM	DESCRIPTION
	05103850AA	2	2, 6	L	01, 02, 06	EX8	DGZ		
		2	2, 6	L	11, 12, 14, 15, 16	EX8	DGZ		
		2	2, 6	L	51, 52, 54, 55, 56	EX8	DGZ		
		2	3, 7	L	02, 06	EX8	DGZ		
		2	3, 7	L	12, 15, 16	EX8	DGZ		
4	06104614AA	16	2, 6	L	11, 12, 14, 15, 16	EX8	DGZ		SCREW
		16	2, 6	L	51, 52, 54, 55, 56	EX8	DGZ		
		16	3, 7	L	12, 15, 16	EX8	DGZ		
5	05098837AB	8	2, 6	L	01, 02, 06	EX8	DGZ		NUT, Plastic Snap-in
		8	2, 6	L	11, 12, 14, 15, 16	EX8	DGZ		
		8	2, 6	L	51, 52, 54, 55, 56	EX8	DGZ		
6	05104608AA	2	2, 6	L	01, 02, 06	EX8	DGZ		BULB, 12V 5W
		2	2, 6	L	11, 12, 14, 15, 16	EX8	DGZ		
		2	2, 6	L	51, 52, 54, 55, 56	EX8	DGZ		
		2	3, 7	L	02, 06	EX8	DGZ		
		2	3, 7	L	12, 15, 16	EX8	DGZ		
7	05133960AA	2	2, 6	L	01, 02, 06	EX8	DGZ		BULB, Fog Lamp, H-3 55 WATT
		2	2, 6	L	11, 12, 14, 15, 16	EX8	DGZ		
		2	2, 6	L	51, 52, 54, 55, 56	EX8	DGZ		

SPRINTER (VA)

SERIES

L = LOWLINE
3 = HD DODGE 2WD
8 = HD DODGE 4WD
6 = Lt. Duty DODGE 4WD
2 = Med. Duty DODGE 2WD
7 = Med. Duty DODGE 4WD
4 = TRUCK

LINE

BODY

01 = CHASSIS FORWARD CONTROL W.B.1
02 = CAB CHASSIS WHEEL BASE 2
06 = CAB CHASSIS WHEEL BASE 6
11 = VAN WHEEL BASE 1
12 = VAN WHEEL BASE 2
51 = WAGON WHEEL BASE 1
52 = WAGON WHEEL BASE 2
14 = VAN WHEEL BASE 4
15 = VAN WHEEL BASE 5
54 = WAGON WHEEL BASE 4
55 = WAGON WHEEL BASE 5
56 = WAGON WHEEL BASE 6
16 = VAN WHEEL BASE 6

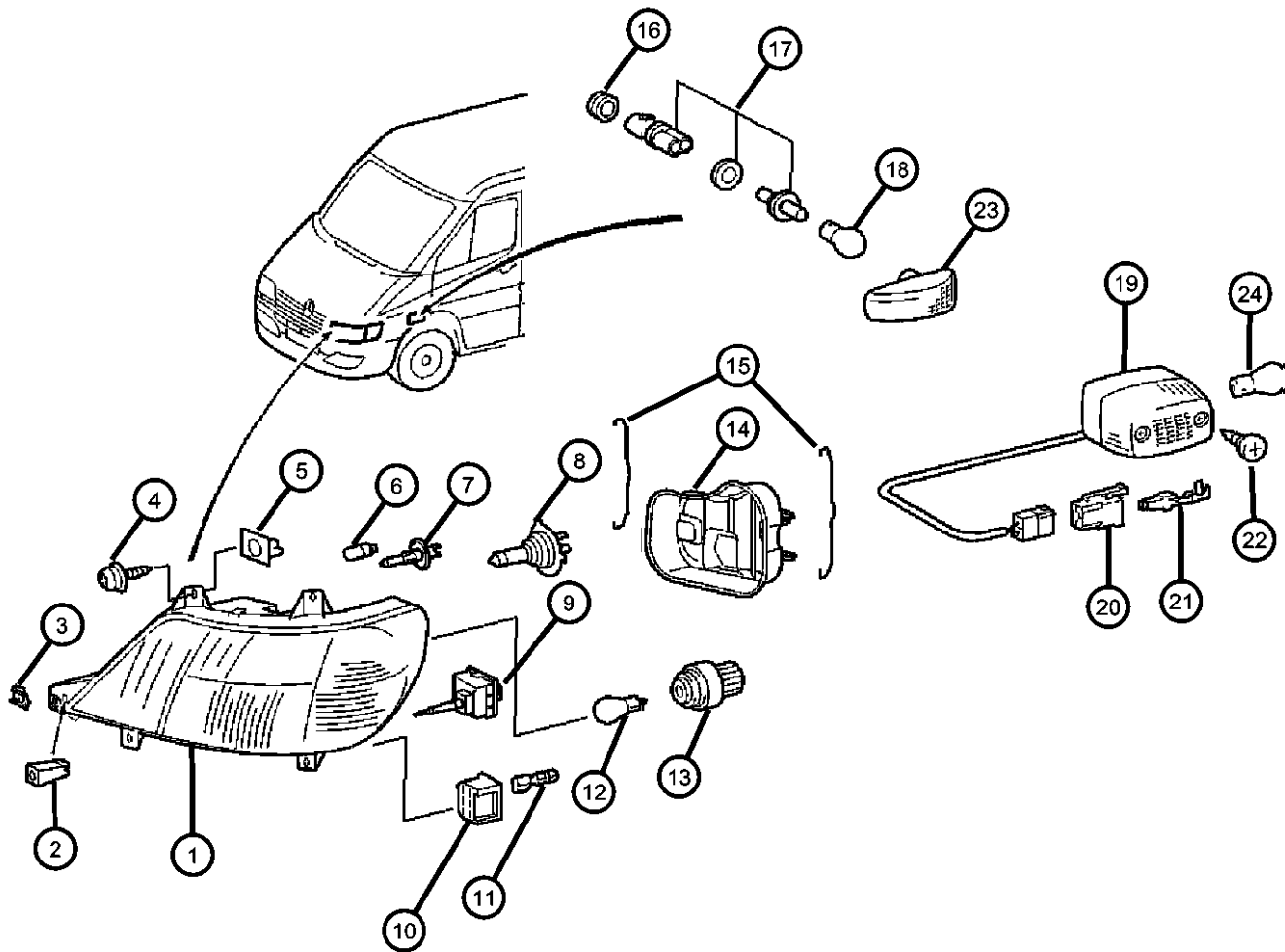
ENGINE

EX8 = 2.7L I5 Turbo Diesel Engine
EX9 = 2.7L I5 Mercedes-Benz TD Engine

TRANSMISSION

DGJ = 5-Speed Automatic MB Transmission
DGZ = 4-Spd. Automatic MT643 Transmission

Lamps - Front End
Figure 8-1105



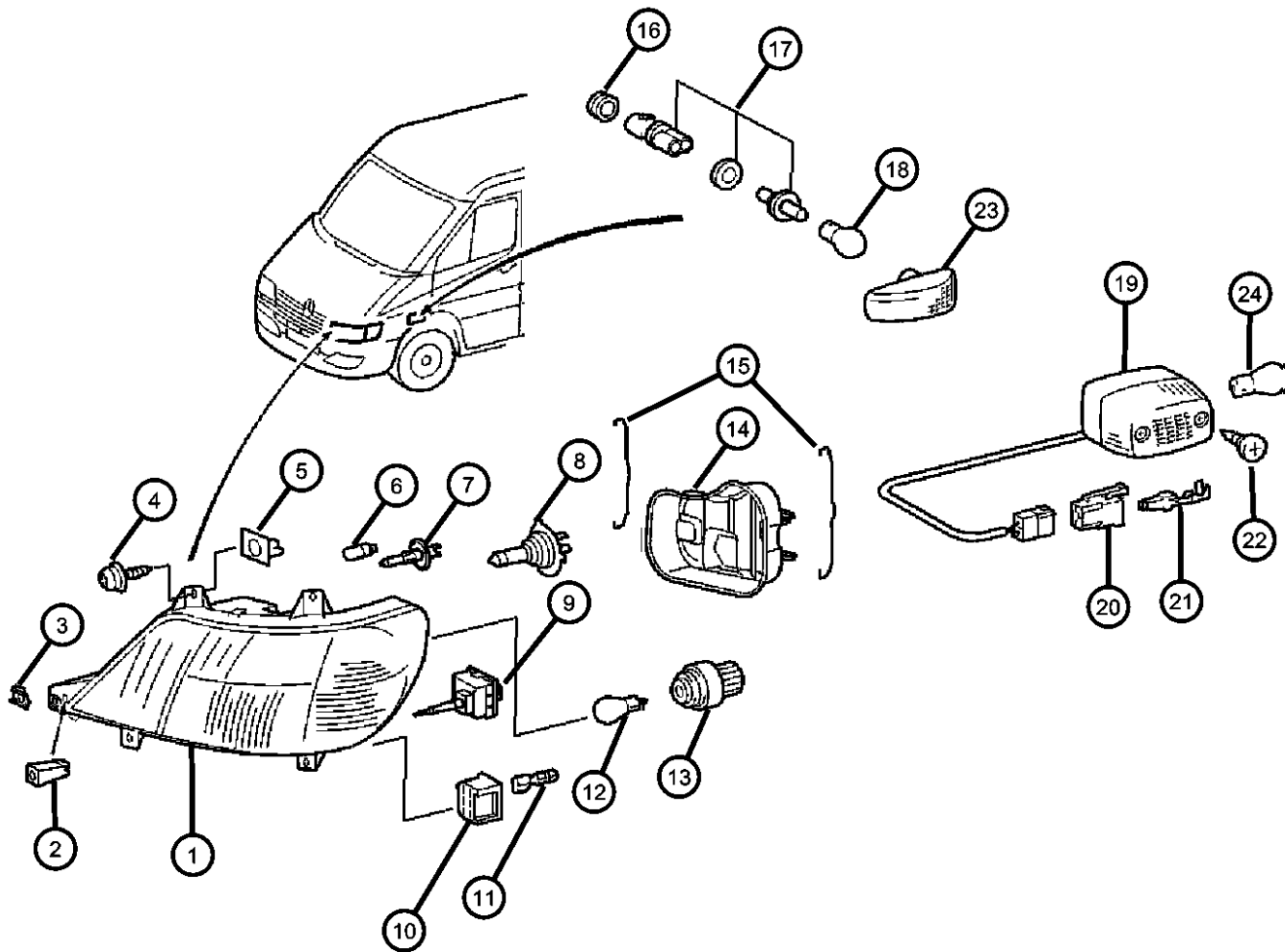
ITEM	PART NUMBER	QTY	LINE	SERIES	BODY	ENGINE	TRANS	TRIM	DESCRIPTION
8	05104684AA	2	3, 7	L	02, 06	EX8	DGZ		BULB, Headlamp, H-7
		2	3, 7	L	12, 15, 16	EX8	DGZ		
		2	2, 6	L	01, 02, 06	EX8	DGZ		
		2	2, 6	L	11, 12, 14, 15, 16	EX8	DGZ		
		2	2, 6	L	51, 52, 54, 55, 56	EX8	DGZ		
		2	3, 7	L	02, 06	EX8	DGZ		
9	05103688AA	2	3, 7	L	12, 15, 16	EX8	DGZ		MOTOR, Headlamp Leveling
		2	2, 6	L	01, 02, 06	EX8	DGZ		
		2	6, 2	L	11, 12, 14, 15, 16	EX8	DGZ		
		2	2, 6	L	51, 52, 54, 55, 56	EX8	DGZ		
		2	3, 7	L	02, 06	EX8	DGZ		
		2	3, 7	L	12, 15, 16	EX8	DGZ		
10	05103896AA	2	2, 6	L	01, 02, 06	EX8	DGZ		CONNECTOR
		2	2, 6	L	11, 12, 14, 15, 16	EX8	DGZ		
		2	2, 6	L	51, 52, 54, 55, 56	EX8	DGZ		
		2	3, 7	L	02, 06	EX8	DGZ		
		2	3, 7	L	12, 15, 16	EX8	DGZ		
		2	2, 6	L	01, 02, 06	EX8	DGZ		
11	05103898AA	99	2, 6	L	01, 02, 06	EX8	DGZ		TERMINAL, Female
		99	2, 6	L	11, 12, 14, 15, 16	EX8	DGZ		
		99	2, 6	L	51, 52, 54, 55, 56	EX8	DGZ		

SPRINTER (VA)

SERIES	LINE	BODY	ENGINE	TRANSMISSION
L = LOWLINE	3 = HD DODGE 2WD 8 = HD DODGE 4WD 6 = Lt. Duty DODGE 4WD 2 = Med. Duty DODGE 2WD 7 = Med. Duty DODGE 4WD 4 = TRUCK	01 = CHASSIS FORWARD CONTROL W.B.1 02 = CAB CHASSIS WHEEL BASE 2 06 = CAB CHASSIS WHEEL BASE 6 11 = VAN WHEEL BASE 1 12 = VAN WHEEL BASE 2 51 = WAGON WHEEL BASE 1 52 = WAGON WHEEL BASE 2 14 = VAN WHEEL BASE 4 15 = VAN WHEEL BASE 5 54 = WAGON WHEEL BASE 4 55 = WAGON WHEEL BASE 5 56 = WAGON WHEEL BASE 6 16 = VAN WHEEL BASE 6	EX8 = 2.7L I5 Turbo Diesel Engine EX9 = 2.7L I5 Mercedes-Benz TD Engine	DGJ = 5-Speed Automatic MB Transmission DGZ = 4-Spd. Automatic MT643 Transmission

AR = use ase required - = Non illustrated part

Lamps - Front End
Figure 8-1105



ITEM	PART NUMBER	QTY	LINE	SERIES	BODY	ENGINE	TRANS	TRIM	DESCRIPTION
		99	3, 7	L	02, 06	EX8	DGZ		
		99	7, 3	L	12, 15, 16	EX8	DGZ		
12	05104662AA	2	6	L	01, 02, 06	EX8	DGZ		BULB
		2	6	L	11, 12, 14, 15, 16	EX8	DGZ		
		2	7	L	02, 06	EX8	DGZ		
		2	7	L	12, 15, 16	EX8	DGZ		
13	05103769AA	2	2, 6	L	01, 02, 06	EX8	DGZ		SOCKET, Lamp
		2	2, 6	L	11, 12, 14, 15, 16	EX8	DGZ		
		2	2, 6	L	51, 52, 54, 55, 56	EX8	DGZ		
		2	3, 7	L	02, 06	EX8	DGZ		
		2	3, 7	L	12, 15, 16	EX8	DGZ		
14	05103685AA	1	2, 6	L	01, 02, 06	EX8	DGZ		COVER, Lamp
		1	2, 6	L	11, 12, 14, 15, 16	EX8	DGZ		
		1	2, 6	L	51, 52, 54, 55, 56	EX8	DGZ		
		1	3, 7	L	02, 06	EX8	DGZ		
		1	3, 7	L	12, 15, 16	EX8	DGZ		
15	05103681AA	2	2, 6	L	01, 02, 06	EX8	DGZ		SPRING, Retainer
		2	2, 6	L	11, 12, 14, 15, 16	EX8	DGZ		Inside of Lamp
		2	2, 6	L	51, 52, 54, 55, 56	EX8	DGZ		Inside of Lamp
		2	3, 7	L	02, 06	EX8	DGZ		Inside of Lamp

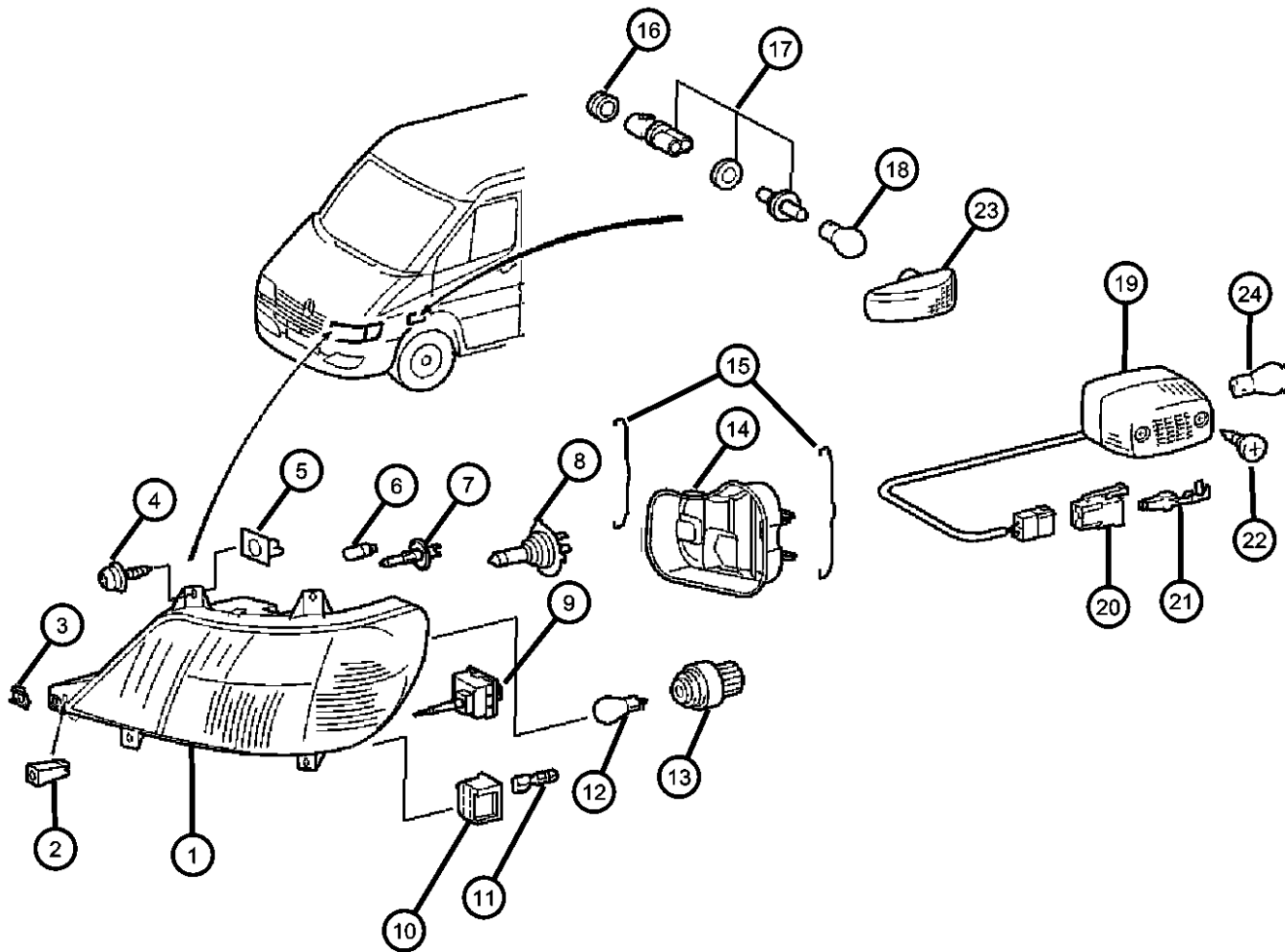
SPRINTER (VA)

SERIES	LINE	BODY	ENGINE	TRANSMISSION
L = LOWLINE	3 = HD DODGE 2WD	01 = CHASSIS FORWARD CONTROL W.B.1	EX8 = 2.7L I5 Turbo Diesel Engine	DGJ = 5-Speed Automatic MB Transmission
	8 = HD DODGE 4WD	02 = CAB CHASSIS WHEEL BASE 2	EX9 = 2.7L I5 Mercedes-Benz TD Engine	DGZ = 4-Spd. Automatic MT643 Transmission
	6 = Lt. Duty DODGE 4WD	06 = CAB CHASSIS WHEEL BASE 6		
	2 = Med. Duty DODGE 2WD	11 = VAN WHEEL BASE 1		
	7 = Med. Duty DODGE 4WD	12 = VAN WHEEL BASE 2		
	4 = TRUCK	51 = WAGON WHEEL BASE 1		
		52 = WAGON WHEEL BASE 2		
		14 = VAN WHEEL BASE 4		
		15 = VAN WHEEL BASE 5		
		54 = WAGON WHEEL BASE 4		
		55 = WAGON WHEEL BASE 5		
		56 = WAGON WHEEL BASE 6		
		16 = VAN WHEEL BASE 6		

AR = use ase required - = Non illustrated part

2006 VA

Lamps - Front End
Figure 8-1105



ITEM	PART NUMBER	QTY	LINE	SERIES	BODY	ENGINE	TRANS	TRIM	DESCRIPTION
		2	3, 7	L	12, 15, 16	EX8	DGZ		Inside of Lamp
	05103682AA	2	2, 6	L	01, 02, 06	EX8	DGZ		Outside of Lamp
		2	2, 6	L	11, 12, 14, 15, 16	EX8	DGZ		Outside of Lamp
		2	2, 6	L	51, 52, 54, 55, 56	EX8	DGZ		Outside of Lamp
		2	3, 7	L	02, 06	EX8	DGZ		Outside of Lamp
		2	3, 7	L	12, 15, 16	EX8	DGZ		Outside of Lamp
16									GROMMET, Lamp
	05133964AA	2	2, 6	L	01, 02, 06	EX8	DGZ		
		2	2, 6	L	11, 12, 14, 15, 16	EX8	DGZ		
		2	2, 6	L	51, 52, 54, 55, 56	EX8	DGZ		
		2	7, 3	L	02, 06	EX8	DGZ		
		2	3, 7	L	12, 15, 16	EX8	DGZ		
17									SOCKET
	05103655AA	2	2, 6	L	01, 02, 06	EX8	DGZ		
		2	2, 6	L	11, 12, 14, 15, 16	EX8	DGZ		
		2	2, 6	L	51, 52, 54, 55, 56	EX8	DGZ		
		2	3, 7	L	02, 06	EX8	DGZ		
		2	3, 7	L	12, 15, 16	EX8	DGZ		
18									BULB, 12V 5W
	05104608AA	2	2, 6	L	01, 02, 06	EX8	DGZ		
		2	2, 6	L	11, 12, 14, 15, 16	EX8	DGZ		
		2	2, 6	L	51, 52, 54, 55, 56	EX8	DGZ		
		2	3, 7	L	02, 06	EX8	DGZ		
		2	3, 7	L	12, 15, 16	EX8	DGZ		

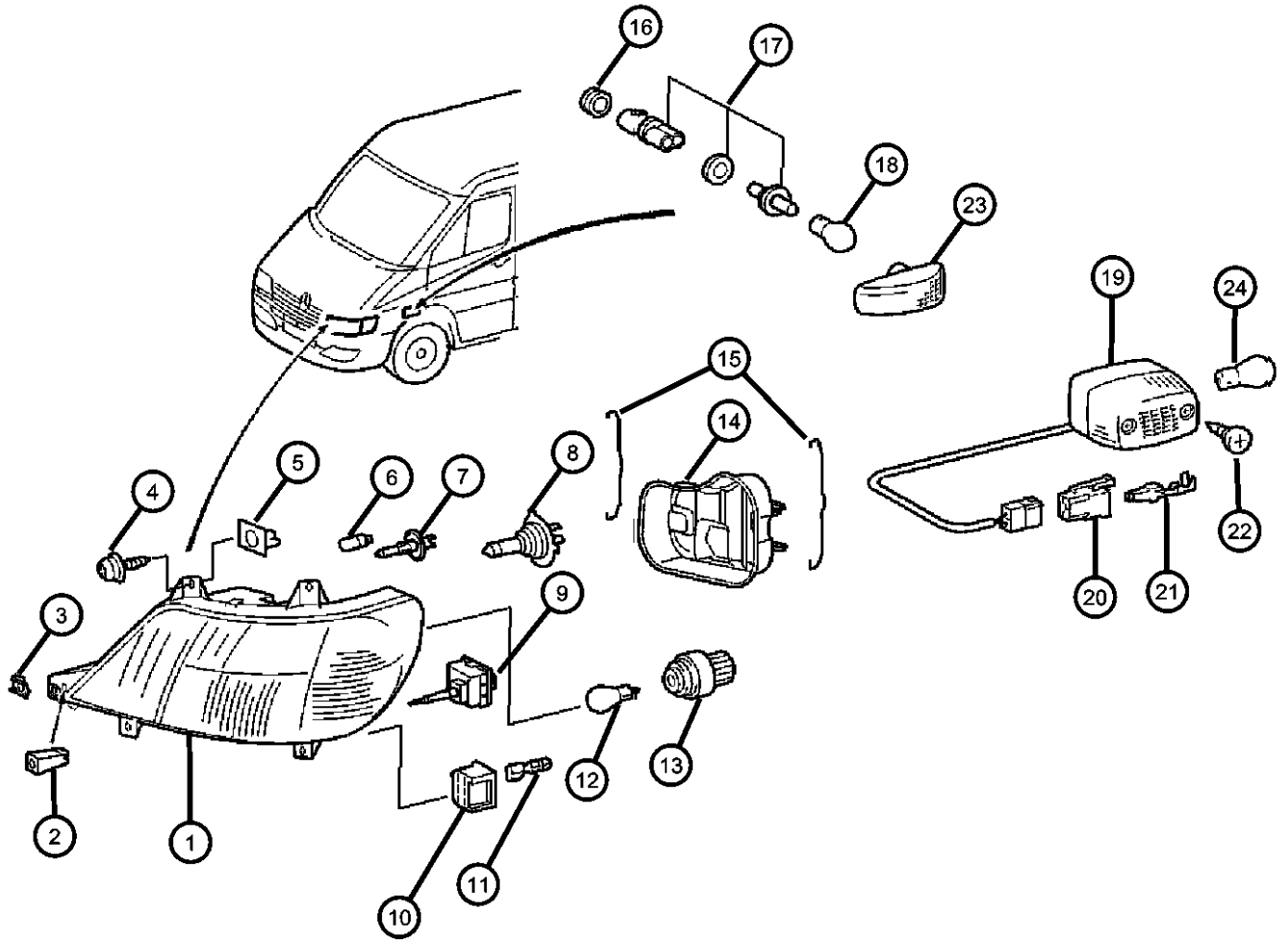
SPRINTER (VA)

SERIES	LINE	BODY	ENGINE	TRANSMISSION
L = LOWLINE	3 = HD DODGE 2WD 8 = HD DODGE 4WD 6 = Lt. Duty DODGE 4WD 2 = Med. Duty DODGE 2WD 7 = Med. Duty DODGE 4WD 4 = TRUCK	01 = CHASSIS FORWARD CONTROL W.B.1 02 = CAB CHASSIS WHEEL BASE 2 06 = CAB CHASSIS WHEEL BASE 6 11 = VAN WHEEL BASE 1 12 = VAN WHEEL BASE 2 51 = WAGON WHEEL BASE 1 52 = WAGON WHEEL BASE 2 14 = VAN WHEEL BASE 4 15 = VAN WHEEL BASE 5 54 = WAGON WHEEL BASE 4 55 = WAGON WHEEL BASE 5 56 = WAGON WHEEL BASE 6 16 = VAN WHEEL BASE 6	EX8 = 2.7L I5 Turbo Diesel Engine EX9 = 2.7L I5 Mercedes-Benz TD Engine	DGJ = 5-Speed Automatic MB Transmission DGZ = 4-Spd. Automatic MT643 Transmission

AR = use ase required - = Non illustrated part

2006 VA

Lamps - Front End
Figure 8-1105



ITEM	PART NUMBER	QTY	LINE	SERIES	BODY	ENGINE	TRANS	TRIM	DESCRIPTION
19									LAMP, Turn Signal
	05124426AA	1	2, 6	L	01, 02, 06				Left
		1	2, 6	L	11, 12, 14, 15, 16				Left
		1	2, 6	L	51, 52, 54, 55, 56				Left
		1	3, 7	L	02, 06				Left
		1	3, 7	L	12, 15, 16				Left
	05124428AA	1	6, 2	L	01, 02, 06				Right
		1	2, 6	L	11, 12, 14, 15, 16				Right
		1	2, 6	L	51, 52, 54, 55, 56				Right
		1	3, 7	L	02, 06				Right
		1	3, 7	L	12, 15, 16				Right
20									CONNECTOR
	05120679AA	2	2, 6	L	01, 02, 06	EX8	DGZ		
		2	2, 6	L	11, 12, 14, 15, 16	EX8	DGZ		
		2	2, 6	L	51, 52, 54, 55, 56	EX8	DGZ		
		2	3, 7	L	02, 06	EX8	DGZ		
		2	3, 7	L	12, 15, 16	EX8	DGZ		
21									TERMINAL
	05103881AA	99	2, 6	L	01, 02, 06	EX8	DGZ		
		99	2, 6	L	11, 12, 14, 15, 16	EX8	DGZ		
		99	2, 6	L	51, 52, 54, 55, 56	EX8	DGZ		
		99	3, 7	L	02, 06	EX8	DGZ		
		99	3, 7	L	12, 15, 16	EX8	DGZ		
22									SCREW

SPRINTER (VA)

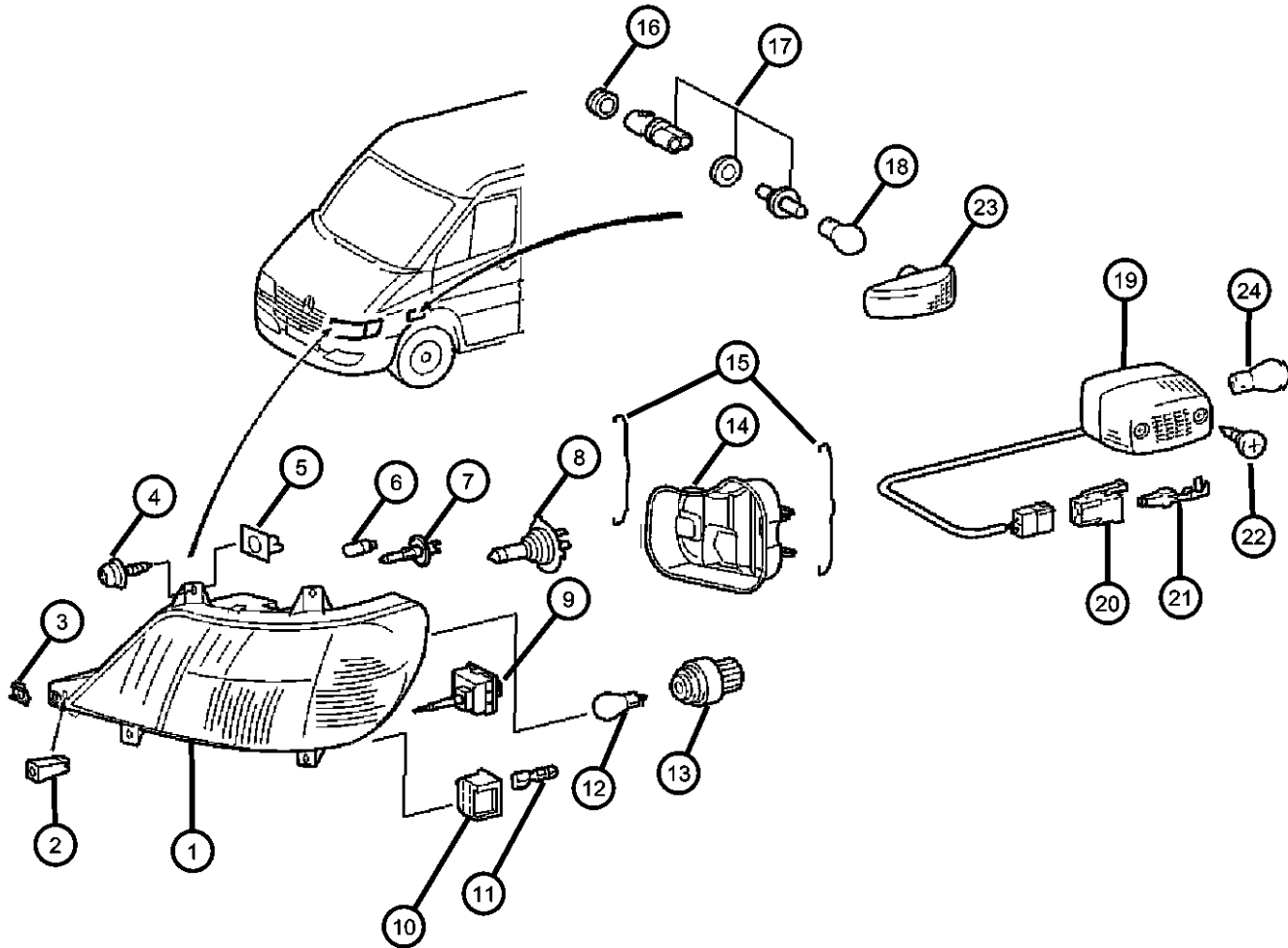
SERIES	LINE	BODY	ENGINE	TRANSMISSION
L = LOWLINE	3 = HD DODGE 2WD 8 = HD DODGE 4WD 6 = Lt. Duty DODGE 4WD 2 = Med. Duty DODGE 2WD 7 = Med. Duty DODGE 4WD 4 = TRUCK	01 = CHASSIS FORWARD CONTROL W.B.1 02 = CAB CHASSIS WHEEL BASE 2 06 = CAB CHASSIS WHEEL BASE 6 11 = VAN WHEEL BASE 1 12 = VAN WHEEL BASE 2 51 = WAGON WHEEL BASE 1 52 = WAGON WHEEL BASE 2 14 = VAN WHEEL BASE 4 15 = VAN WHEEL BASE 5 54 = WAGON WHEEL BASE 4 55 = WAGON WHEEL BASE 5 56 = WAGON WHEEL BASE 6 16 = VAN WHEEL BASE 6	EX8 = 2.7L I5 Turbo Diesel Engine EX9 = 2.7L I5 Mercedes-Benz TD Engine	DGJ = 5-Speed Automatic MB Transmission DGZ = 4-Spd. Automatic MT643 Transmission

AR = use ase required - = Non illustrated part

2006 VA

Lamps - Front End
Figure 8-1105

ITEM	PART NUMBER	QTY	LINE	SERIES	BODY	ENGINE	TRANS	TRIM	DESCRIPTION
	06104498AA	8	2, 6	L	56	EX8	DGZ		
		8	3, 7	L	16	EX8	DGZ		
23	05124431AA	2	2, 6	L	01, 02, 06	EX8	DGZ		LAMP, Side Repeater
		2	2, 6	L	11, 12, 14, 15, 16	EX8	DGZ		
		2	2, 6	L	51, 52, 54, 55, 56	EX8	DGZ		
		2	3, 7	L	02, 06	EX8	DGZ		
		2	3, 7	L	12, 15, 16	EX8	DGZ		
24	05104646AA	6	2, 6	L	01, 02, 06	EX8	DGZ		BULB
		4	2, 6	L	11, 12, 14, 15, 16	EX8	DGZ		
		4	2, 6	L	51, 52, 54, 55, 56	EX8	DGZ		
		6	3, 7	L	02, 06	EX8	DGZ		
		4	3, 7	L	12, 15, 16	EX8	DGZ		

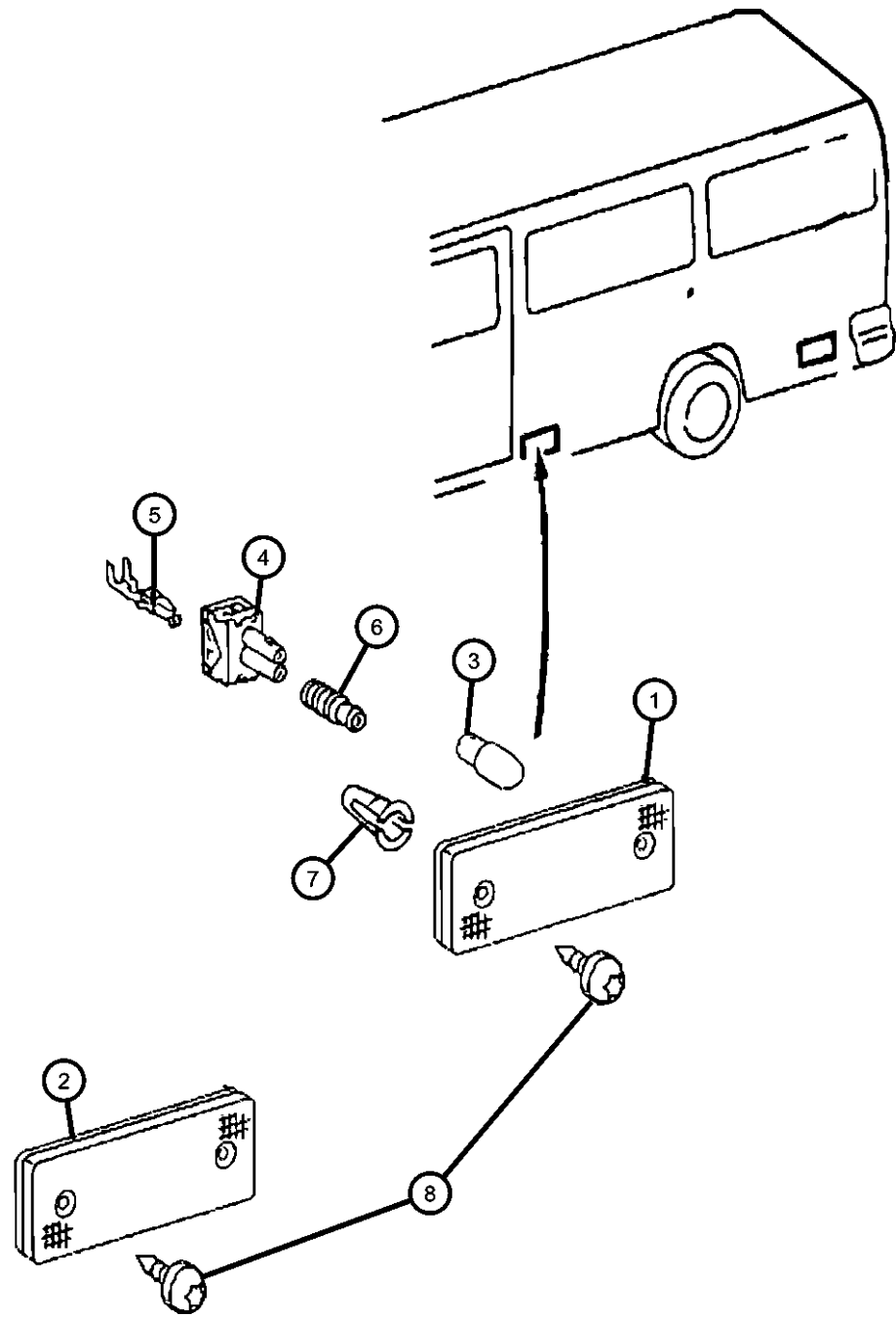


SPRINTER (VA)

SERIES	LINE	BODY	ENGINE	TRANSMISSION
L = LOWLINE	3 = HD DODGE 2WD 8 = HD DODGE 4WD 6 = Lt. Duty DODGE 4WD 2 = Med. Duty DODGE 2WD 7 = Med. Duty DODGE 4WD 4 = TRUCK	01 = CHASSIS FORWARD CONTROL W.B.1 02 = CAB CHASSIS WHEEL BASE 2 06 = CAB CHASSIS WHEEL BASE 6 11 = VAN WHEEL BASE 1 12 = VAN WHEEL BASE 2 51 = WAGON WHEEL BASE 1 52 = WAGON WHEEL BASE 2 14 = VAN WHEEL BASE 4 15 = VAN WHEEL BASE 5 54 = WAGON WHEEL BASE 4 55 = WAGON WHEEL BASE 5 56 = WAGON WHEEL BASE 6 16 = VAN WHEEL BASE 6	EX8 = 2.7L I5 Turbo Diesel Engine EX9 = 2.7L I5 Mercedes-Benz TD Engine	DGJ = 5-Speed Automatic MB Transmission DGZ = 4-Spd. Automatic MT643 Transmission

AR = use ase required - = Non illustrated part

Lamps - Rear End Side Reflector
Figure 8-1106



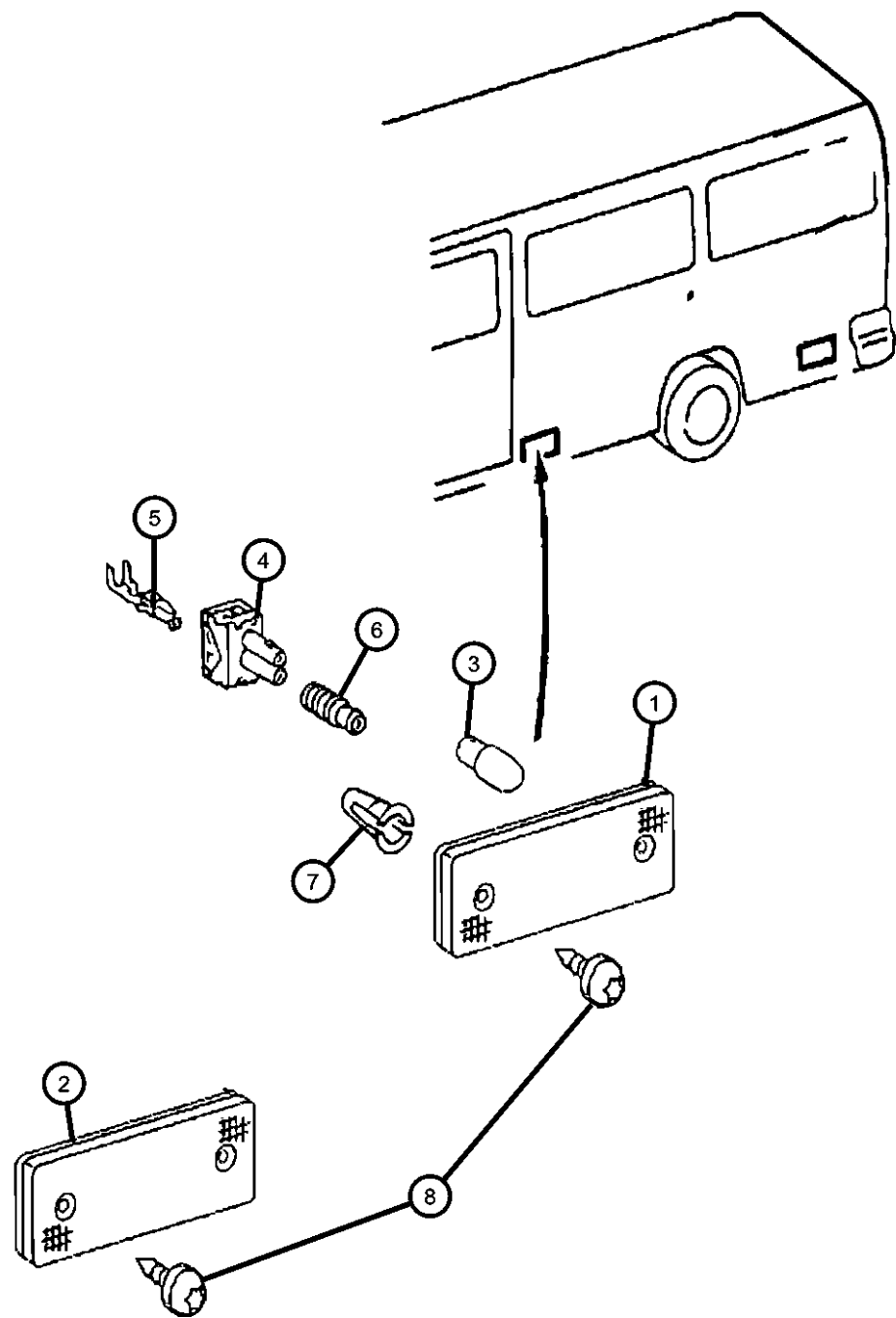
ITEM	PART NUMBER	QTY	LINE	SERIES	BODY	ENGINE	TRANS	TRIM	DESCRIPTION
1	05124477AA	4	2, 6	L	11, 12, 14, 15, 16				LAMP, Side Marker [Amber]
		4	3, 7	L	12, 15				[Amber]
2	05124605AA	4	2, 6	L	11, 12, 14, 15, 16	EX8	DGZ		LENS Reflector
		4	2, 6	L	51, 52, 54, 55, 56	EX8	DGZ		Reflector
		4	3, 7	L	16	EX8	DGZ		Reflector
3	05096968AA	2	2, 6	L	11, 12, 14, 15, 16	EX8	DGZ		BULB, 12V 5W
		2	2, 6	L	51, 52, 54, 55, 56	EX8	DGZ		
		2	3, 7	L	12, 15, 16	EX8	DGZ		
4	05103879AA	1	2, 6	L	01, 02, 06	EX8	DGZ		CONNECTOR
		1	2, 6	L	11, 12, 14, 15, 16	EX8	DGZ		
		1	2, 6	L	51, 52, 54, 55, 56	EX8	DGZ		
5	05102935AA	1	2, 6	L	01, 02, 06	EX8	DGZ		TERMINAL [0.5 - 1.0 MM2]
		1	2, 6	L	11, 12, 14, 15, 16	EX8	DGZ		[0.5 - 1.0 MM2]
		1	2, 6	L	51, 52, 54, 55, 56	EX8	DGZ		[0.5 - 1.0 MM2]
		1	3, 7	L	02, 06	EX8	DGZ		[0.5 - 1.0 MM2]
		1	3, 7	L	12, 15, 16	EX8	DGZ		[0.5 - 1.0 MM2]
	05133370AA	1	2, 6	L	01, 02, 06	EX8	DGZ		[1.5 - 2.5 MM2]
		1	2, 6	L	11, 12, 14, 15, 16	EX8	DGZ		[1.5 - 2.5 MM2]

SPRINTER (VA)

SERIES	LINE	BODY	ENGINE	TRANSMISSION
L = LOWLINE	3 = HD DODGE 2WD 8 = HD DODGE 4WD 6 = Lt. Duty DODGE 4WD 2 = Med. Duty DODGE 2WD 7 = Med. Duty DODGE 4WD 4 = TRUCK	01 = CHASSIS FORWARD CONTROL W.B.1 02 = CAB CHASSIS WHEEL BASE 2 06 = CAB CHASSIS WHEEL BASE 6 11 = VAN WHEEL BASE 1 12 = VAN WHEEL BASE 2 51 = WAGON WHEEL BASE 1 52 = WAGON WHEEL BASE 2 14 = VAN WHEEL BASE 4 15 = VAN WHEEL BASE 5 54 = WAGON WHEEL BASE 4 55 = WAGON WHEEL BASE 5 56 = WAGON WHEEL BASE 6 16 = VAN WHEEL BASE 6	EX8 = 2.7L I5 Turbo Diesel Engine EX9 = 2.7L I5 Mercedes-Benz TD Engine	DGJ = 5-Speed Automatic MB Transmission DGZ = 4-Spd. Automatic MT643 Transmission

AR = use ase required - = Non illustrated part

Lamps - Rear End Side Reflector
Figure 8-1106



ITEM	PART NUMBER	QTY	LINE	SERIES	BODY	ENGINE	TRANS	TRIM	DESCRIPTION
		1	2, 6	L	51, 52, 54, 55, 56	EX8	DGZ		[1.5 - 2.5 MM2]
		1	3, 7	L	02, 06	EX8	DGZ		[1.5 - 2.5 MM2]
		1	3, 7	L	16, 12, 15	EX8	DGZ		[1.5 - 2.5 MM2]
6									GASKET
	05103661AA	1	2, 6	L	01, 02, 06	EX8	DGZ		[0.5 - 1.0 MM2]
		1	2, 6	L	11, 12, 14, 15, 16	EX8	DGZ		[0.5 - 1.0 MM2]
		1	2, 6	L	51, 52, 54, 55, 56	EX8	DGZ		[0.5 - 1.0 MM2]
		1	3, 7	L	02, 06	EX8	DGZ		[0.5 - 1.0 MM2]
		1	3, 7	L	12, 15, 16	EX8	DGZ		[0.5 - 1.0 MM2]
	05120833AA	1	2, 6	L	01, 02, 06	EX8	DGZ		[1.0 - 2.5 MM2]
		1	2, 6	L	11, 12, 14, 15, 16	EX8	DGZ		[1.0 - 2.5 MM2]
		1	2, 6	L	51, 52, 54, 55, 56	EX8	DGZ		[1.0 - 2.5 MM2]
		1	3, 7	L	02, 06	EX8	DGZ		[1.0 - 2.5 MM2]
		1	3, 7	L	12, 15, 16	EX8	DGZ		[1.0 - 2.5 MM2]
7									NUT, Push In
	05103841AA	4	2, 6	L	11, 12, 14, 15, 16	EX8	DGZ		
		4	2, 6	L	51, 52, 54, 55, 56	EX8	DGZ		
		4	3, 7	L	12, 15, 16	EX8	DGZ		
		4	3, 7	L	02, 06	EX8	DGZ		
8									SCREW
	06104498AA	4	2, 6	L	16, 11, 12, 14, 15	EX8	DGZ		
		4	2, 6	L	51, 52, 54, 55, 56	EX8	DGZ		
		4	3, 7	L	12, 15, 16	EX8	DGZ		

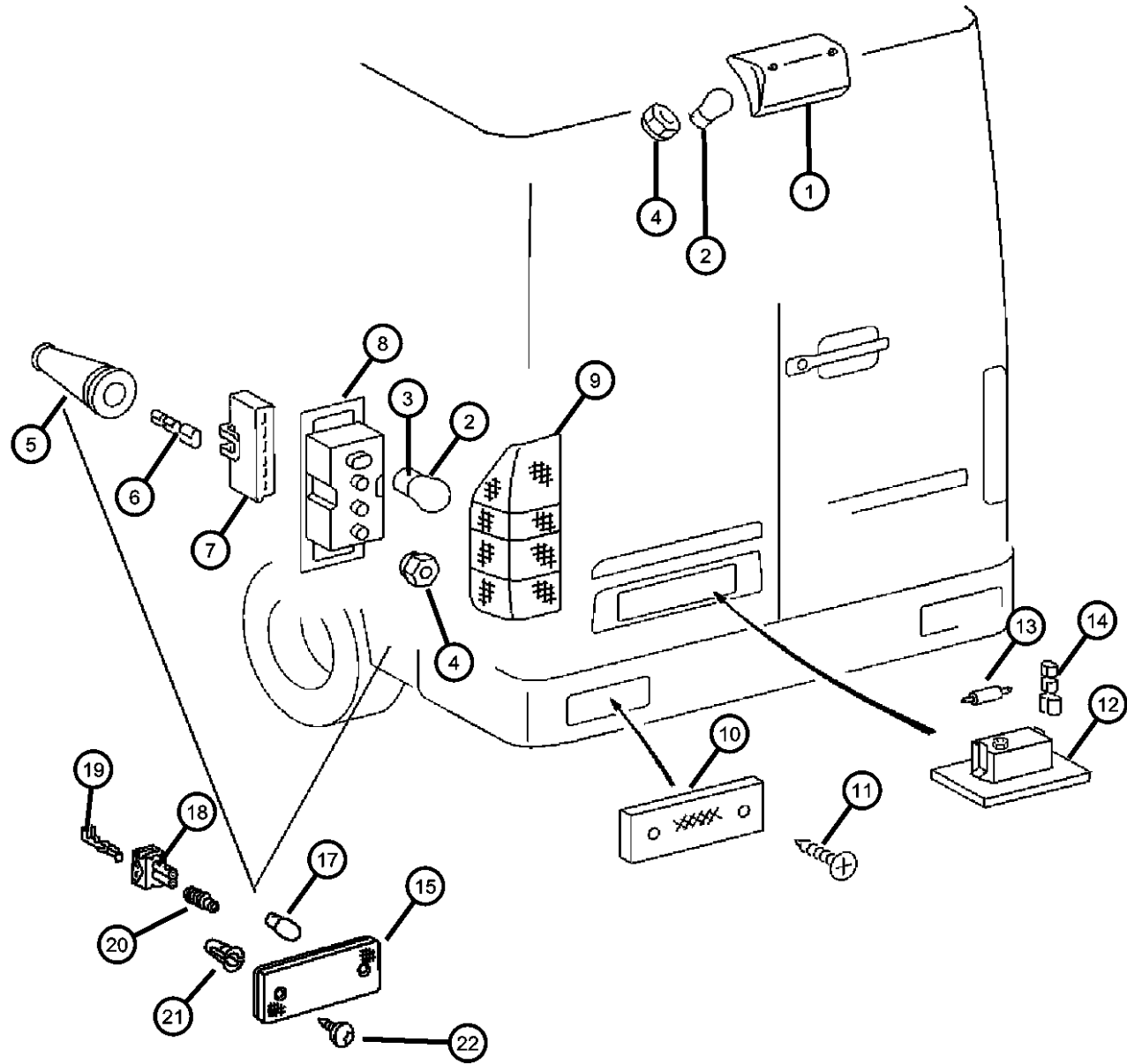
SPRINTER (VA)

SERIES	LINE	BODY	ENGINE	TRANSMISSION
L = LOWLINE	3 = HD DODGE 2WD 8 = HD DODGE 4WD 6 = Lt. Duty DODGE 4WD 2 = Med. Duty DODGE 2WD 7 = Med. Duty DODGE 4WD 4 = TRUCK	01 = CHASSIS FORWARD CONTROL W.B.1 02 = CAB CHASSIS WHEEL BASE 2 06 = CAB CHASSIS WHEEL BASE 6 11 = VAN WHEEL BASE 1 12 = VAN WHEEL BASE 2 51 = WAGON WHEEL BASE 1 52 = WAGON WHEEL BASE 2 14 = VAN WHEEL BASE 4 15 = VAN WHEEL BASE 5 54 = WAGON WHEEL BASE 4 55 = WAGON WHEEL BASE 5 56 = WAGON WHEEL BASE 6 16 = VAN WHEEL BASE 6	EX8 = 2.7L I5 Turbo Diesel Engine EX9 = 2.7L I5 Mercedes-Benz TD Engine	DGJ = 5-Speed Automatic MB Transmission DGZ = 4-Spd. Automatic MT643 Transmission

AR = use ase required - = Non illustrated part

2006 VA

Lamps - Rear End
Figure 8-1110



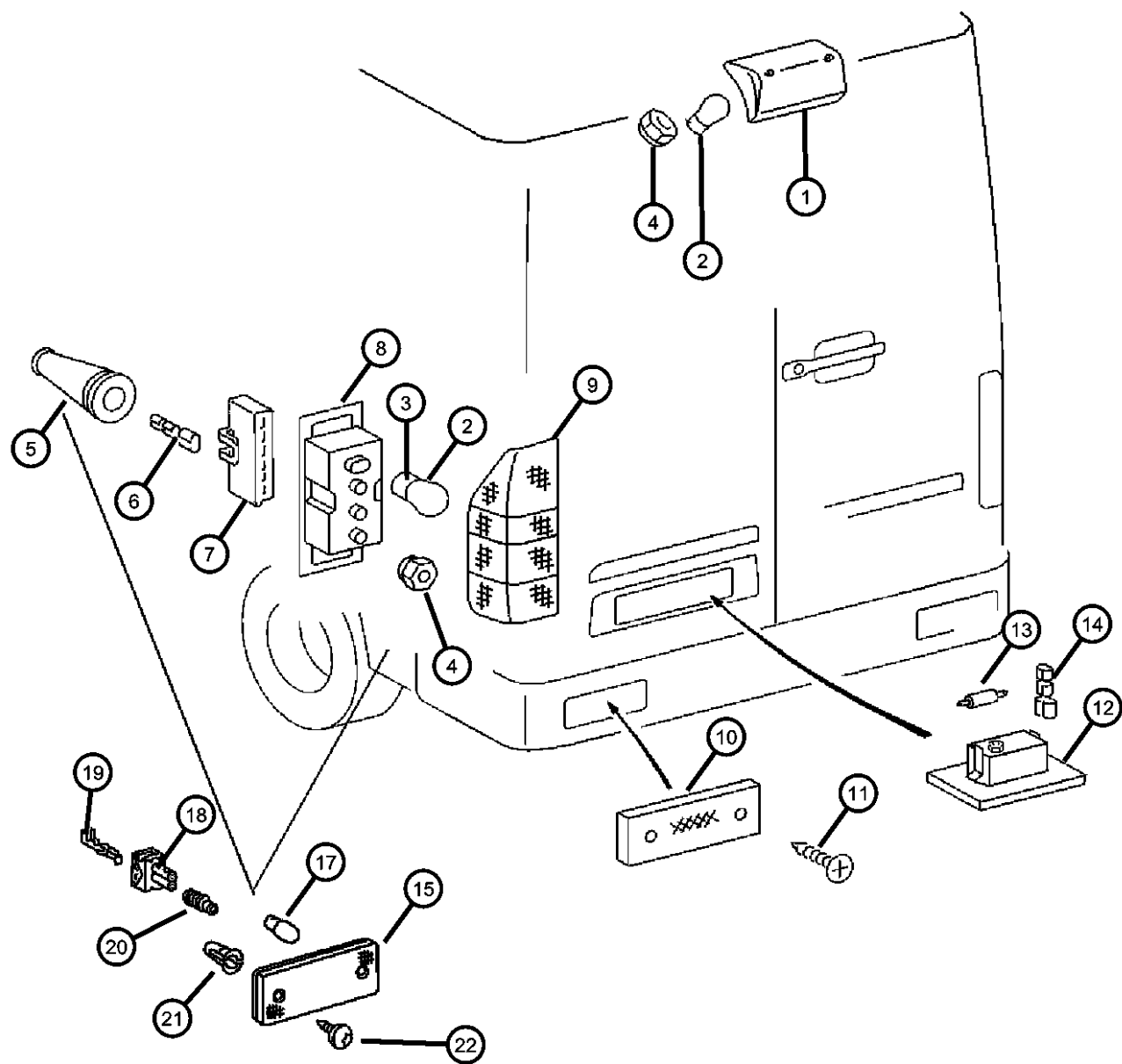
ITEM	PART NUMBER	QTY	LINE	SERIES	BODY	ENGINE	TRANS	TRIM	DESCRIPTION
1									LAMP, Center High Mounted Stop
	05103804AA	1	2, 6	L	14, 15, 16	EX8	DGZ		
		1	2, 6	L	54, 55, 56	EX8	DGZ		
		1	3, 7	L	15, 16	EX8	DGZ		
	05124473AA	1	2, 6	L	11, 12	EX8	DGZ		
		1	2, 6	L	52, 51	EX8	DGZ		
		1	3, 7	L	12	EX8	DGZ		
2									BULB
	05104646AA	1	2, 6	L	11, 12, 14, 15, 16	EX8	DGZ		Single filament
		1	2, 6	L	51, 52, 54, 55, 56	EX8	DGZ		Single filament
		1	3, 7	L	12, 15, 16	EX8	DGZ		Single filament
3									BULB, TAIL LAMP
	05104647AA	2	2, 6	L	11, 12, 14, 15, 16	EX8	DGZ		Double filament
		2	2, 6	L	51, 52, 54, 55, 56	EX8	DGZ		Double filament
		2	3, 7	L	12, 15, 16	EX8	DGZ		Double filament
4									NUT, M5
	06104707AA	2	2, 6	L	11, 12, 14, 15, 16	EX8	DGZ		
		2	2, 6	L	51, 52, 54, 55, 56	EX8	DGZ		
		2	3, 7	L	12, 15, 16	EX8	DGZ		
5									GROMMET, GROMMET
	05133963AA	1	2, 6	L	11, 12, 14, 15, 16	EX8	DGZ		
		1	2, 6	L	51, 52, 54, 55, 56	EX8	DGZ		
		1	3, 7	L	12, 15, 16	EX8	DGZ		
6									CONNECTOR

SPRINTER (VA)

SERIES	LINE	BODY	ENGINE	TRANSMISSION
L = LOWLINE	3 = HD DODGE 2WD 8 = HD DODGE 4WD 6 = Lt. Duty DODGE 4WD 2 = Med. Duty DODGE 2WD 7 = Med. Duty DODGE 4WD 4 = TRUCK	01 = CHASSIS FORWARD CONTROL W.B.1 02 = CAB CHASSIS WHEEL BASE 2 06 = CAB CHASSIS WHEEL BASE 6 11 = VAN WHEEL BASE 1 12 = VAN WHEEL BASE 2 51 = WAGON WHEEL BASE 1 52 = WAGON WHEEL BASE 2 14 = VAN WHEEL BASE 4 15 = VAN WHEEL BASE 5 54 = WAGON WHEEL BASE 4 55 = WAGON WHEEL BASE 5 56 = WAGON WHEEL BASE 6 16 = VAN WHEEL BASE 6	EX8 = 2.7L I5 Turbo Diesel Engine EX9 = 2.7L I5 Mercedes-Benz TD Engine	DGJ = 5-Speed Automatic MB Transmission DGZ = 4-Spd. Automatic MT643 Transmission

AR = use ase required - = Non illustrated part

Lamps - Rear End
Figure 8-1110



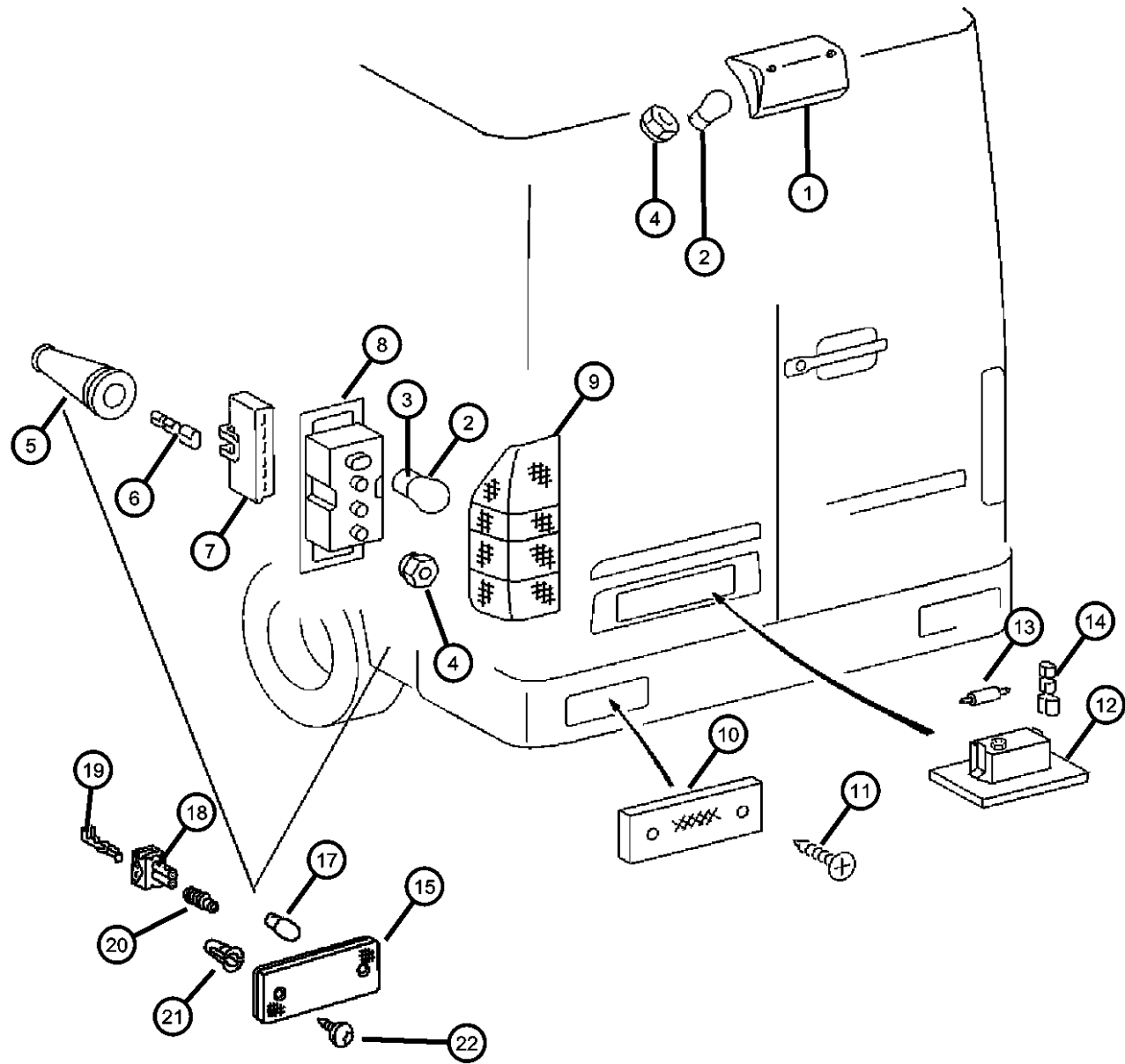
ITEM	PART NUMBER	QTY	LINE	SERIES	BODY	ENGINE	TRANS	TRIM	DESCRIPTION
	05120596AA	1	2, 6	L	11, 12, 14, 15, 16	EX8	DGZ		
		2	2, 6	L	11, 12, 14, 15, 16	EX8	DGZ		
		2	3, 7	L	12, 15, 16	EX8	DGZ		
7									CONNECTOR
	05120543AA	2	2, 6	L	14, 15, 16, 11, 12	EX8	DGZ		
		2	2, 6	L	51, 52, 54, 55, 56	EX8	DGZ		
		2	3, 7	L	12, 15, 16	EX8	DGZ		
8									LAMP, Tail Stop Turn
	05103596AA	1	2, 6	L	11, 12, 14, 15, 16	EX8	DGZ		Left
		1	2, 6	L	51, 52, 54, 55, 56	EX8	DGZ		Left
		1	3, 7	L	12, 15, 16	EX8	DGZ		Left
	05103597AA	1	2, 6	L	11, 12, 14, 15, 16	EX8	DGZ		Right
		1	2, 6	L	51, 52, 54, 55, 56	EX8	DGZ		Right
		1	3, 7	L	12, 15, 16	EX8	DGZ		Right
9		1							LENS, Taillamp, Serviced in Lamp Assembly, (NOT SERVICED)
10									REFLECTOR, Fascia
	05103684AA	2	2, 6	L	11, 12, 14, 15, 16	EX8	DGZ		
		2	2, 6	L	51, 52, 54, 55, 56	EX8	DGZ		
		2	3, 7	L	12, 15, 16	EX8	DGZ		
11									SCREW
	06104498AA	4	2, 6	L	11, 12, 14, 15, 16	EX8	DGZ		
		4	2, 6	L	52, 54, 55, 56, 51	EX8	DGZ		

SPRINTER (VA)

SERIES	LINE	BODY	ENGINE	TRANSMISSION
L = LOWLINE	3 = HD DODGE 2WD 8 = HD DODGE 4WD 6 = Lt. Duty DODGE 4WD 2 = Med. Duty DODGE 2WD 7 = Med. Duty DODGE 4WD 4 = TRUCK	01 = CHASSIS FORWARD CONTROL W.B.1 02 = CAB CHASSIS WHEEL BASE 2 06 = CAB CHASSIS WHEEL BASE 6 11 = VAN WHEEL BASE 1 12 = VAN WHEEL BASE 2 51 = WAGON WHEEL BASE 1 52 = WAGON WHEEL BASE 2 14 = VAN WHEEL BASE 4 15 = VAN WHEEL BASE 5 54 = WAGON WHEEL BASE 4 55 = WAGON WHEEL BASE 5 56 = WAGON WHEEL BASE 6 16 = VAN WHEEL BASE 6	EX8 = 2.7L I5 Turbo Diesel Engine EX9 = 2.7L I5 Mercedes-Benz TD Engine	DGJ = 5-Speed Automatic MB Transmission DGZ = 4-Spd. Automatic MT643 Transmission

AR = use ase required - = Non illustrated part

Lamps - Rear End
Figure 8-1110



ITEM	PART NUMBER	QTY	LINE	SERIES	BODY	ENGINE	TRANS	TRIM	DESCRIPTION
12		4	3, 7	L	12, 15, 16	EX8	DGZ		LAMP, License Plate
	05104462AA	2	2, 6	L	11, 12, 14, 15, 16	EX8	DGZ		
		2	2, 6	L	51, 52, 54, 55, 56	EX8	DGZ		
13		2	3, 7	L	12, 15, 16	EX8	DGZ		BULB, 12V 5W
	05096968AA	2	2, 6	L	11, 12, 14, 15, 16	EX8	DGZ		
		2	2, 6	L	51, 52, 54, 55, 56	EX8	DGZ		
14		2	3, 7	L	12, 15, 16	EX8	DGZ		TERMINAL, Female
	05133927AA	99	2, 6	L	11, 12, 14, 15, 16	EX8	DGZ		
		99	2, 6	L	51, 52, 54, 55, 56	EX8	DGZ		
15		99	3, 7	L	12, 15, 16	EX8	DGZ		LAMP, Side Marker
	05124477AA	6	2, 6	L	16				
		4	2, 6	L	11, 12, 14, 15, 16				
		6	2, 6	L	56				
		4	2, 6	L	51, 52, 54, 55, 56				
		4	3, 7	L	12, 15				
		6	3, 7	L	16				
-16									LENS
	05124605AA	4	2, 6	L	11, 12, 14, 15, 16	EX8	DGZ		Rear Side Reflector
		4	2, 6	L	51, 52, 54, 55, 56	EX8	DGZ		Rear Side Reflector

SPRINTER (VA)

SERIES
L = LOWLINE

LINE
3 = HD DODGE 2WD
8 = HD DODGE 4WD
6 = Lt. Duty DODGE 4WD
2 = Med. Duty DODGE 2WD
7 = Med. Duty DODGE 4WD
4 = TRUCK

BODY
01 = CHASSIS FORWARD CONTROL W.B.1
02 = CAB CHASSIS WHEEL BASE 2
06 = CAB CHASSIS WHEEL BASE 6
11 = VAN WHEEL BASE 1
12 = VAN WHEEL BASE 2
51 = WAGON WHEEL BASE 1
52 = WAGON WHEEL BASE 2
14 = VAN WHEEL BASE 4
15 = VAN WHEEL BASE 5
54 = WAGON WHEEL BASE 4
55 = WAGON WHEEL BASE 5
56 = WAGON WHEEL BASE 6
16 = VAN WHEEL BASE 6

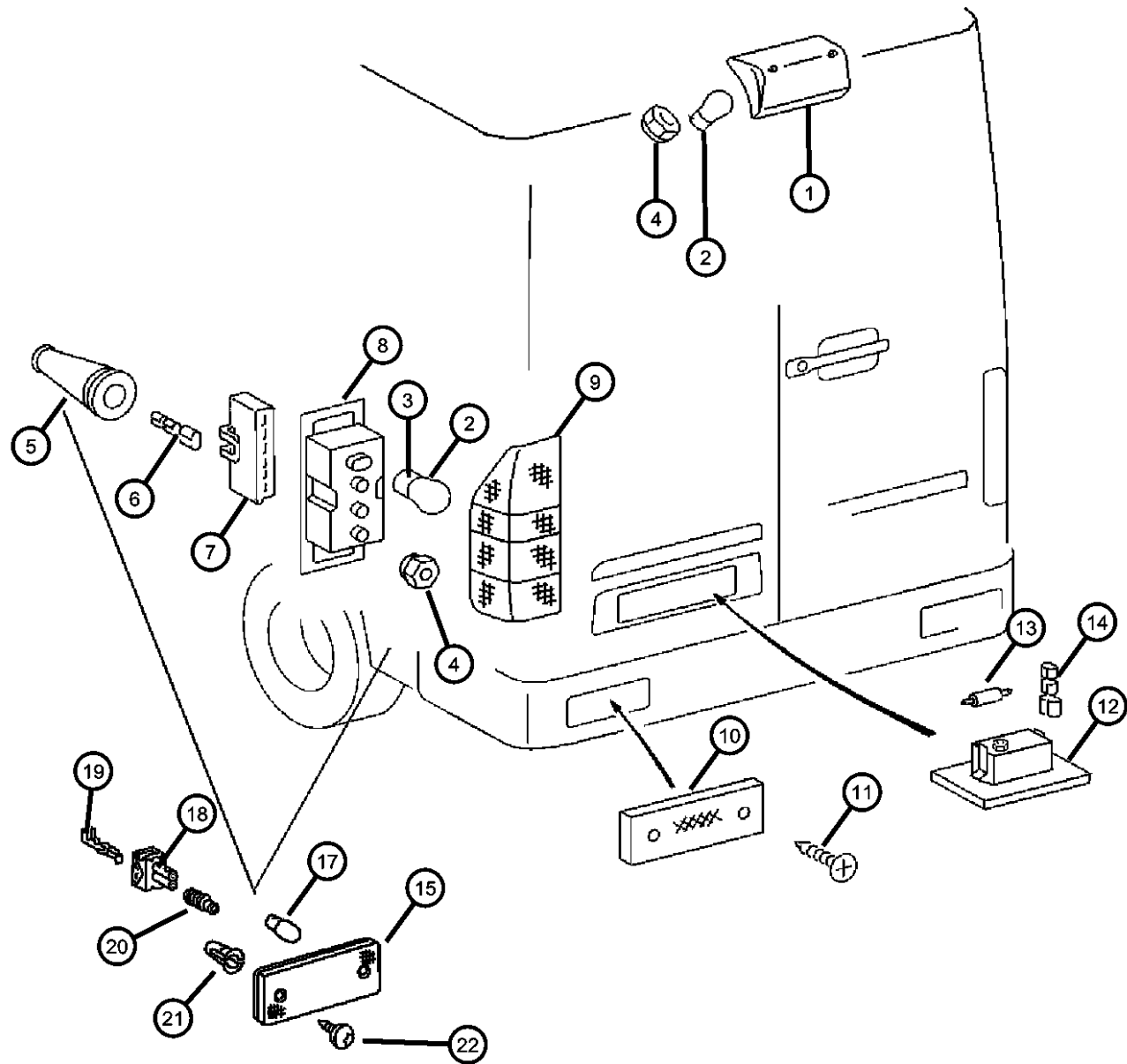
ENGINE
EX8 = 2.7L I5 Turbo Diesel Engine
EX9 = 2.7L I5 Mercedes-Benz TD Engine

TRANSMISSION
DGJ = 5-Speed Automatic MB Transmission
DGZ = 4-Spd. Automatic MT643 Transmission

AR = use ase required - = Non illustrated part

2006 VA

Lamps - Rear End
Figure 8-1110



ITEM	PART NUMBER	QTY	LINE	SERIES	BODY	ENGINE	TRANS	TRIM	DESCRIPTION
17		4	3, 7	L	16	EX8	DGZ		Rear Side Reflector BULB
	05104649AA	6	2, 6	L	01, 02, 06	EX8	DGZ		
		2	2, 6	L	11, 12, 14, 15, 16	EX8	DGZ		
		2	2, 6	L	51, 52, 54, 55, 56	EX8	DGZ		
		6	3, 7	L	02, 06	EX8	DGZ		
		2	3, 7	L	12, 15, 16	EX8	DGZ		
18									CONNECTOR
	05103879AA	99	2, 6	L	01, 02, 06	EX8	DGZ		
		99	2, 6	L	11, 12, 14, 15, 16	EX8	DGZ		
		99	2, 6	L	51, 52, 54, 55, 56	EX8	DGZ		
		99	3, 7	L	02, 06	EX8	DGZ		
		99	3, 7	L	12, 15, 16	EX8	DGZ		
19									TERMINAL
	05102935AA	99	2, 6	L	01, 02, 06	EX8	DGZ		
		99	2, 6	L	11, 12, 14, 15, 16	EX8	DGZ		
		99	2, 6	L	51, 52, 54, 55, 56	EX8	DGZ		
		99	3, 7	L	02, 06	EX8	DGZ		
		99	3, 7	L	12, 15, 16	EX8	DGZ		
20									GASKET
	05120833AA	99	2, 6	L	01, 02, 06	EX8	DGZ		
		99	2, 6	L	11, 12, 14, 15, 16	EX8	DGZ		
		99	2, 6	L	51, 52, 54, 55, 56	EX8	DGZ		
		99	3, 7	L	12, 15, 16	EX8	DGZ		

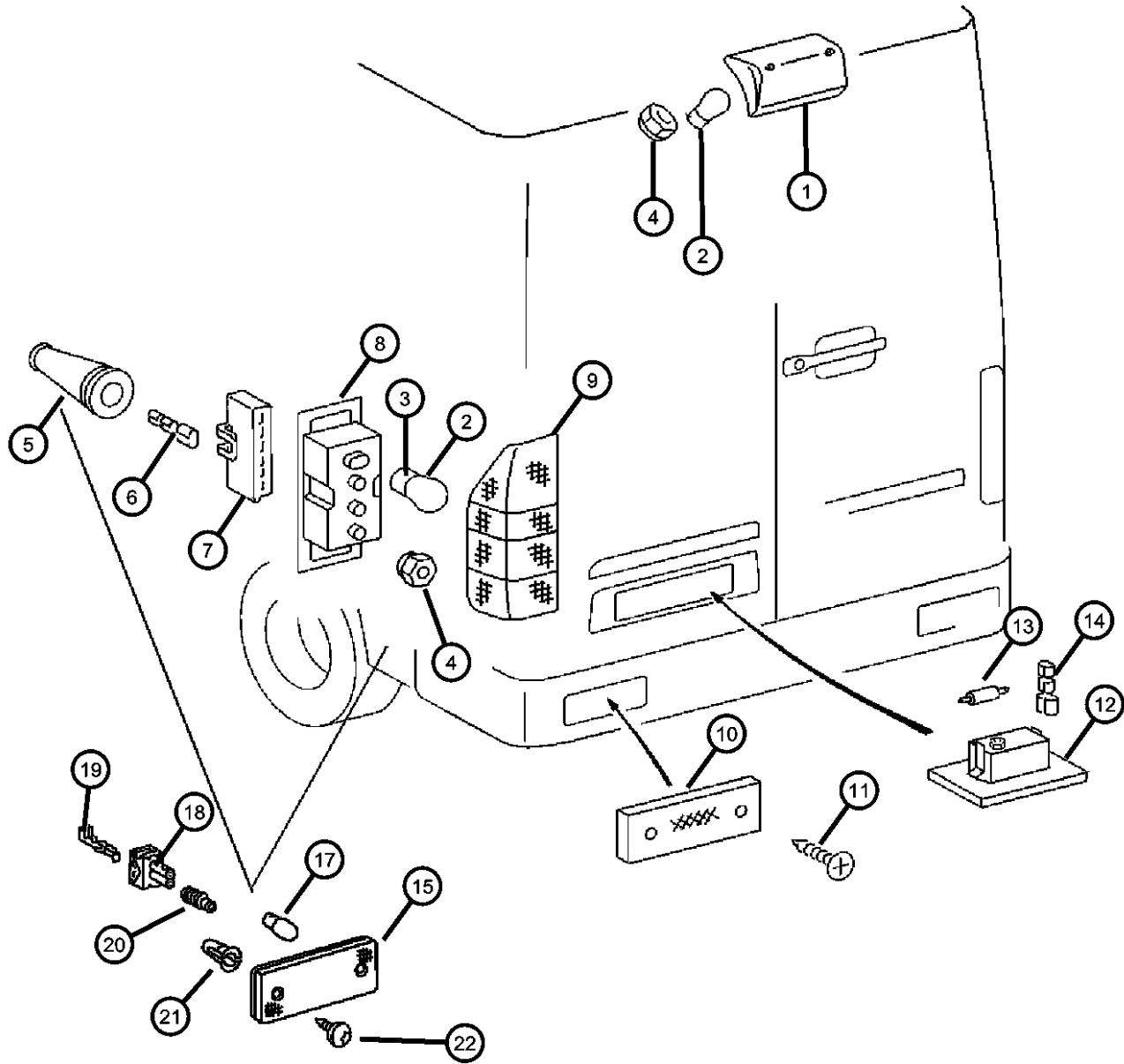
SPRINTER (VA)

SERIES	LINE	BODY	ENGINE	TRANSMISSION
L = LOWLINE	3 = HD DODGE 2WD 8 = HD DODGE 4WD 6 = Lt. Duty DODGE 4WD 2 = Med. Duty DODGE 2WD 7 = Med. Duty DODGE 4WD 4 = TRUCK	01 = CHASSIS FORWARD CONTROL W.B.1 02 = CAB CHASSIS WHEEL BASE 2 06 = CAB CHASSIS WHEEL BASE 6 11 = VAN WHEEL BASE 1 12 = VAN WHEEL BASE 2 51 = WAGON WHEEL BASE 1 52 = WAGON WHEEL BASE 2 14 = VAN WHEEL BASE 4 15 = VAN WHEEL BASE 5 54 = WAGON WHEEL BASE 4 55 = WAGON WHEEL BASE 5 56 = WAGON WHEEL BASE 6 16 = VAN WHEEL BASE 6	EX8 = 2.7L I5 Turbo Diesel Engine EX9 = 2.7L I5 Mercedes-Benz TD Engine	DGJ = 5-Speed Automatic MB Transmission DGZ = 4-Spd. Automatic MT643 Transmission

AR = use ase required - = Non illustrated part

Lamps - Rear End
Figure 8-1110

ITEM	PART NUMBER	QTY	LINE	SERIES	BODY	ENGINE	TRANS	TRIM	DESCRIPTION
21		1	3, 7	L	02, 06	EX8	DGZ		NUT, Push In
	05103841AA	6	2, 6	L	01, 02, 06	EX8	DGZ		
		8	2, 6	L	16	EX8	DGZ		
		8	2, 6	L	56	EX8	DGZ		
		6	3, 7	L	02, 06	EX8	DGZ		
		8	3, 7	L	16	EX8	DGZ		
22									SCREW
	06104498AA	4	2, 6	L	11, 12, 14, 15, 16	EX8	DGZ		
		4	3, 7	L	12, 15, 16	EX8	DGZ		



SPRINTER (VA)

SERIES
L = LOWLINE

LINE

3 = HD DODGE 2WD
8 = HD DODGE 4WD
6 = Lt. Duty DODGE 4WD
2 = Med. Duty DODGE 2WD
7 = Med. Duty DODGE 4WD
4 = TRUCK

BODY

01 = CHASSIS FORWARD CONTROL W.B.1
02 = CAB CHASSIS WHEEL BASE 2
06 = CAB CHASSIS WHEEL BASE 6
11 = VAN WHEEL BASE 1
12 = VAN WHEEL BASE 2
51 = WAGON WHEEL BASE 1
52 = WAGON WHEEL BASE 2
14 = VAN WHEEL BASE 4
15 = VAN WHEEL BASE 5
54 = WAGON WHEEL BASE 4
55 = WAGON WHEEL BASE 5
56 = WAGON WHEEL BASE 6
16 = VAN WHEEL BASE 6

ENGINE

EX8 = 2.7L I5 Turbo Diesel Engine
EX9 = 2.7L I5 Mercedes-Benz TD Engine

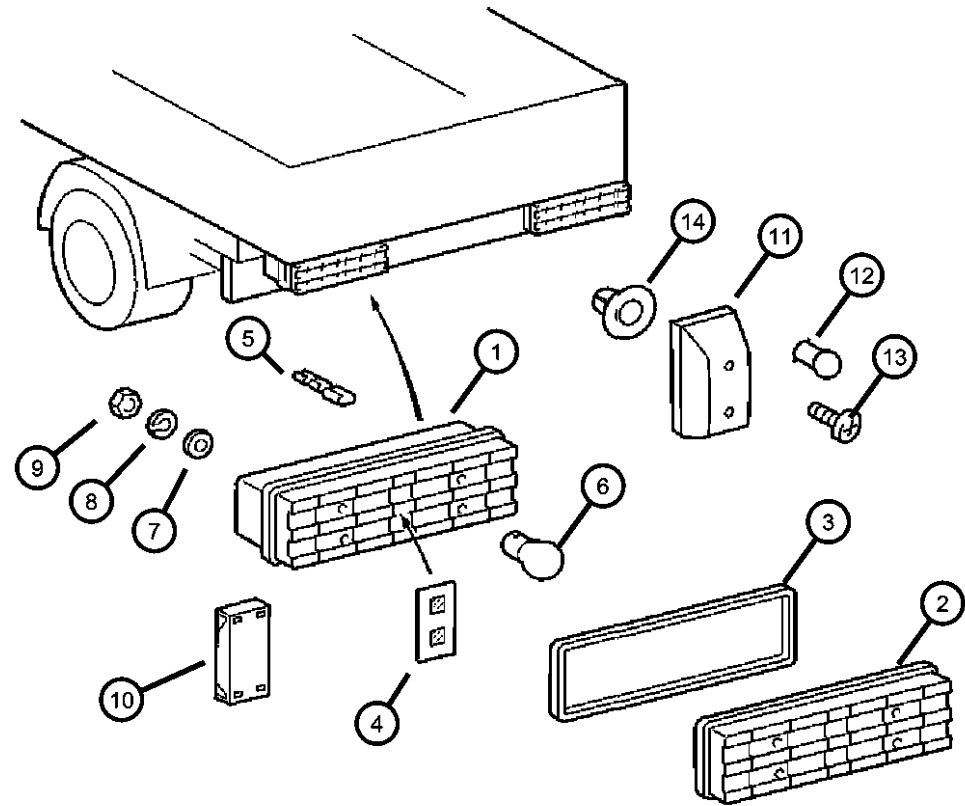
TRANSMISSION

DGJ = 5-Speed Automatic MB Transmission
DGZ = 4-Spd. Automatic MT643 Transmission

AR = use ase required - = Non illustrated part

2006 VA

**Lamps Rear End Cab and Chassis Vehicles
Figure 8-1115**



ITEM	PART NUMBER	QTY	LINE	SERIES	BODY	ENGINE	TRANS	TRIM	DESCRIPTION
1									LAMP, Tail Stop Turn
	05124543AA	1	2, 6	L	01, 02, 06	EX8	DGZ		Left
		1	3, 7	L	02, 06	EX8	DGZ		Left
	05124545AA	1	2, 6	L	01, 02, 06	EX8	DGZ		Right
		1	3, 7	L	02, 06	EX8	DGZ		Right
2		1							LENS, Serviced in lamp assembly, (NOT SERVICED)
3		1							GASKET, Tail Lamp, Serviced in lamp assembly, (NOT SERVICED)
4		1							REFLECTOR, Tail Lamp, (NOT SERVICED)
5	05114451AA	99	2, 6	L	01, 02, 06	EX8	DGZ		TERMINAL, Female
6									BULB
	05104646AA	6	2, 6	L	01, 02, 06	EX8	DGZ		
		4	2, 6	L	11, 12, 14, 15, 16	EX8	DGZ		
7		4							WASHER, (NOT SERVICED)
8									WASHER, Lock
	05126241AA	4	3, 7	L	02, 06	EX8	DGZ		
		4	2, 6	L	01, 02, 06	EX8	DGZ		
9									NUT
	05126206AA	4	2, 6	L	01, 02, 06	EX8	DGZ		
		4	3, 7	L	02, 06	EX8	DGZ		
10		4							CAP, (NOT SERVICED)
11		4							LAMP, License Plate, (NOT SERVICED)
12		4							BULB, 12V 10W, (NOT SERVICED)
13		4							SCREW, (NOT SERVICED)
14									NUT, Push In
	05103841AA	6	2, 6	L	01, 02, 06	EX8	DGZ		

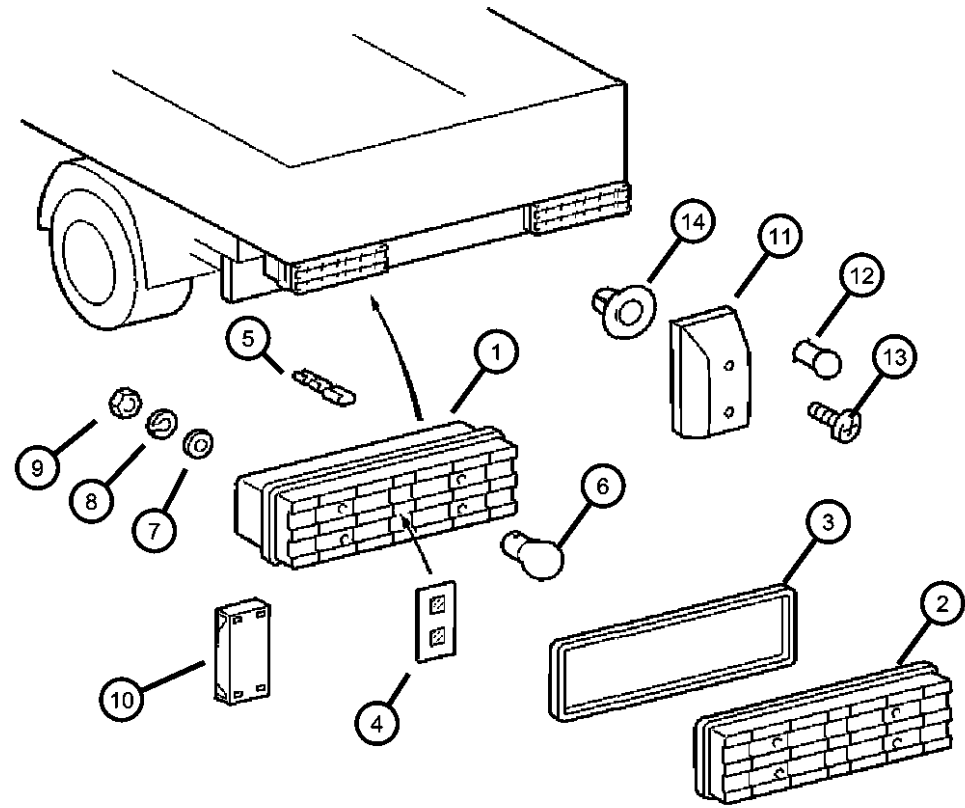
SPRINTER (VA)

SERIES	LINE	BODY	ENGINE	TRANSMISSION
L = LOWLINE	3 = HD DODGE 2WD 8 = HD DODGE 4WD 6 = Lt. Duty DODGE 4WD 2 = Med. Duty DODGE 2WD 7 = Med. Duty DODGE 4WD 4 = TRUCK	01 = CHASSIS FORWARD CONTROL W.B.1 02 = CAB CHASSIS WHEEL BASE 2 06 = CAB CHASSIS WHEEL BASE 6 11 = VAN WHEEL BASE 1 12 = VAN WHEEL BASE 2 51 = WAGON WHEEL BASE 1 52 = WAGON WHEEL BASE 2 14 = VAN WHEEL BASE 4 15 = VAN WHEEL BASE 5 54 = WAGON WHEEL BASE 4 55 = WAGON WHEEL BASE 5 56 = WAGON WHEEL BASE 6 16 = VAN WHEEL BASE 6	EX8 = 2.7L I5 Turbo Diesel Engine EX9 = 2.7L I5 Mercedes-Benz TD Engine	DGJ = 5-Speed Automatic MB Transmission DGZ = 4-Spd. Automatic MT643 Transmission

AR = use ase required - = Non illustrated part

Lamps Rear End Cab and Chassis Vehicles
Figure 8-1115

ITEM	PART NUMBER	QTY	LINE	SERIES	BODY	ENGINE	TRANS	TRIM	DESCRIPTION
		8	2, 6	L	16	EX8	DGZ		
		8	2, 6	L	56	EX8	DGZ		



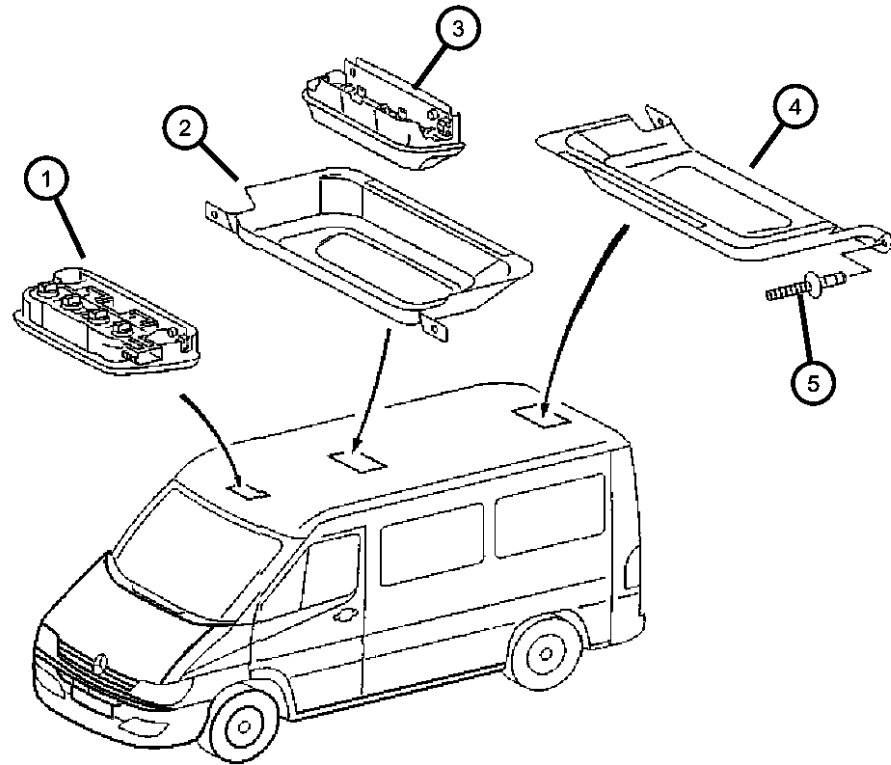
SPRINTER (VA)

SERIES	LINE	BODY	ENGINE	TRANSMISSION
L = LOWLINE	3 = HD DODGE 2WD 8 = HD DODGE 4WD 6 = Lt. Duty DODGE 4WD 2 = Med. Duty DODGE 2WD 7 = Med. Duty DODGE 4WD 4 = TRUCK	01 = CHASSIS FORWARD CONTROL W.B.1 02 = CAB CHASSIS WHEEL BASE 2 06 = CAB CHASSIS WHEEL BASE 6 11 = VAN WHEEL BASE 1 12 = VAN WHEEL BASE 2 51 = WAGON WHEEL BASE 1 52 = WAGON WHEEL BASE 2 14 = VAN WHEEL BASE 4 15 = VAN WHEEL BASE 5 54 = WAGON WHEEL BASE 4 55 = WAGON WHEEL BASE 5 56 = WAGON WHEEL BASE 6 16 = VAN WHEEL BASE 6	EX8 = 2.7L I5 Turbo Diesel Engine EX9 = 2.7L I5 Mercedes-Benz TD Engine	DGJ = 5-Speed Automatic MB Transmission DGZ = 4-Spd. Automatic MT643 Transmission

AR = use ase required - = Non illustrated part

2006 VA

Lamps Interior Passenger Van
Figure 8-1120



ITEM	PART NUMBER	QTY	LINE	SERIES	BODY	ENGINE	TRANS	TRIM	DESCRIPTION
1									LAMP, Reading
	05124399AA	1	2, 6	L	01, 02, 06	EX8	DGZ		
		1	2, 6	L	11, 12, 14, 15, 16	EX8	DGZ		
		1	2, 6	L	51, 52, 54, 55, 56	EX8	DGZ		
		1	3, 7	L	02, 06	EX8	DGZ		
		1	3, 7	L	12, 15, 16	EX8	DGZ		
2									BRACKET
	1BD98RC3AA	1	2, 6	L	11, 12, 14, 15, 16	EX8	DGZ		
		1	2, 6	L	51, 52, 54, 55, 56	EX8	DGZ		
		1	3, 7	L	12, 15, 16	EX8	DGZ		
3									SWITCH
	0ZF50RC3AA	2	2, 6	L	11, 12, 14, 15, 16	EX8	DGZ		
		2	2, 6	L	51, 52, 54, 55, 56	EX8	DGZ		
4									BRACKET
	1BD99RC3AA	1	2, 6	L	11, 12, 14, 15, 16	EX8	DGZ		
		1	2, 6	L	51, 52, 54, 55, 56	EX8	DGZ		
5									RIVET, M4.8
	05133934AA	4	2, 6	L	11, 12, 14, 15, 16	EX8	DGZ		
		4	2, 6	L	51, 52, 54, 55, 56	EX8	DGZ		
		4	3, 7	L	12, 15, 16	EX8	DGZ		

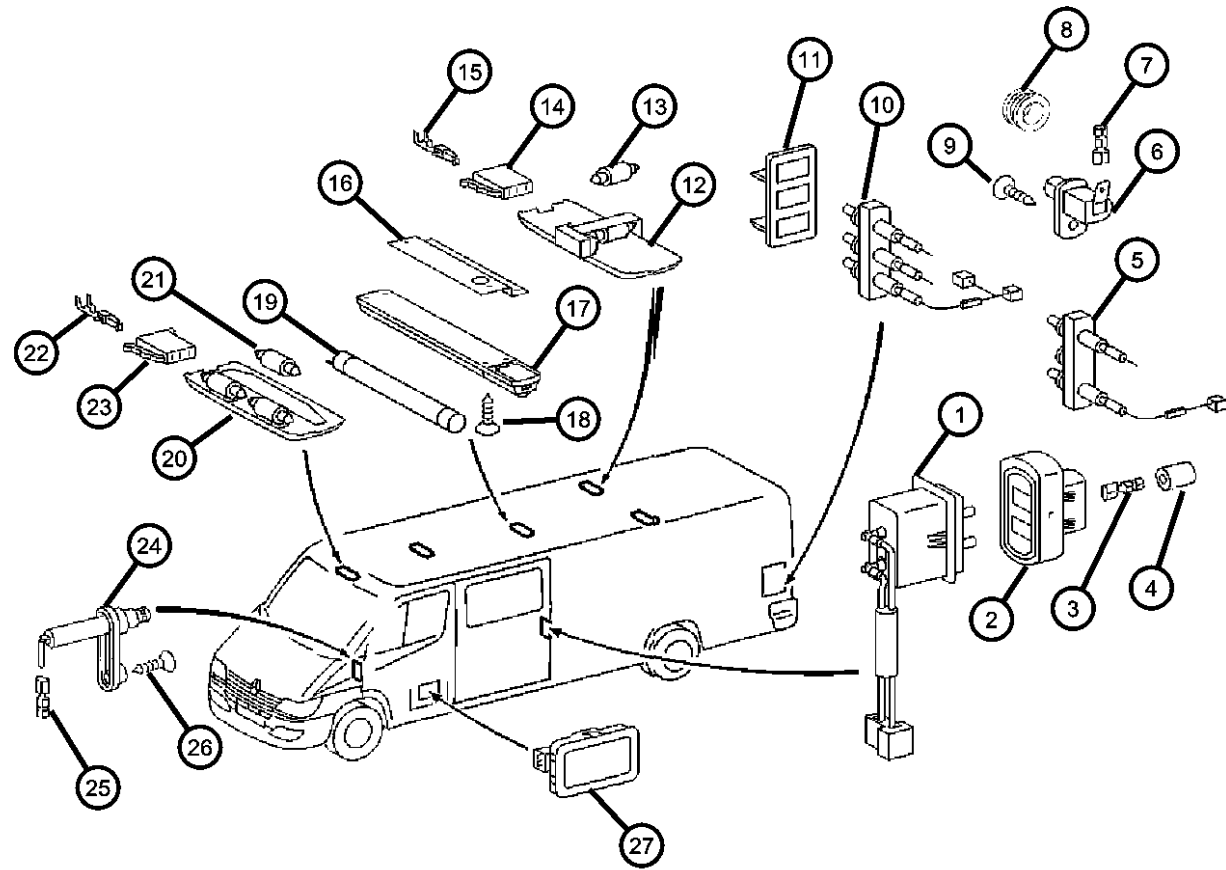
SPRINTER (VA)

SERIES	LINE	BODY	ENGINE	TRANSMISSION
L = LOWLINE	3 = HD DODGE 2WD 8 = HD DODGE 4WD 6 = Lt. Duty DODGE 4WD 2 = Med. Duty DODGE 2WD 7 = Med. Duty DODGE 4WD 4 = TRUCK	01 = CHASSIS FORWARD CONTROL W.B.1 02 = CAB CHASSIS WHEEL BASE 2 06 = CAB CHASSIS WHEEL BASE 6 11 = VAN WHEEL BASE 1 12 = VAN WHEEL BASE 2 51 = WAGON WHEEL BASE 1 52 = WAGON WHEEL BASE 2 14 = VAN WHEEL BASE 4 15 = VAN WHEEL BASE 5 54 = WAGON WHEEL BASE 4 55 = WAGON WHEEL BASE 5 56 = WAGON WHEEL BASE 6 16 = VAN WHEEL BASE 6	EX8 = 2.7L I5 Turbo Diesel Engine EX9 = 2.7L I5 Mercedes-Benz TD Engine	DGJ = 5-Speed Automatic MB Transmission DGZ = 4-Spd. Automatic MT643 Transmission

AR = use ase required - = Non illustrated part

2006 VA

Lamps Interior Cargo Van
Figure 8-1125



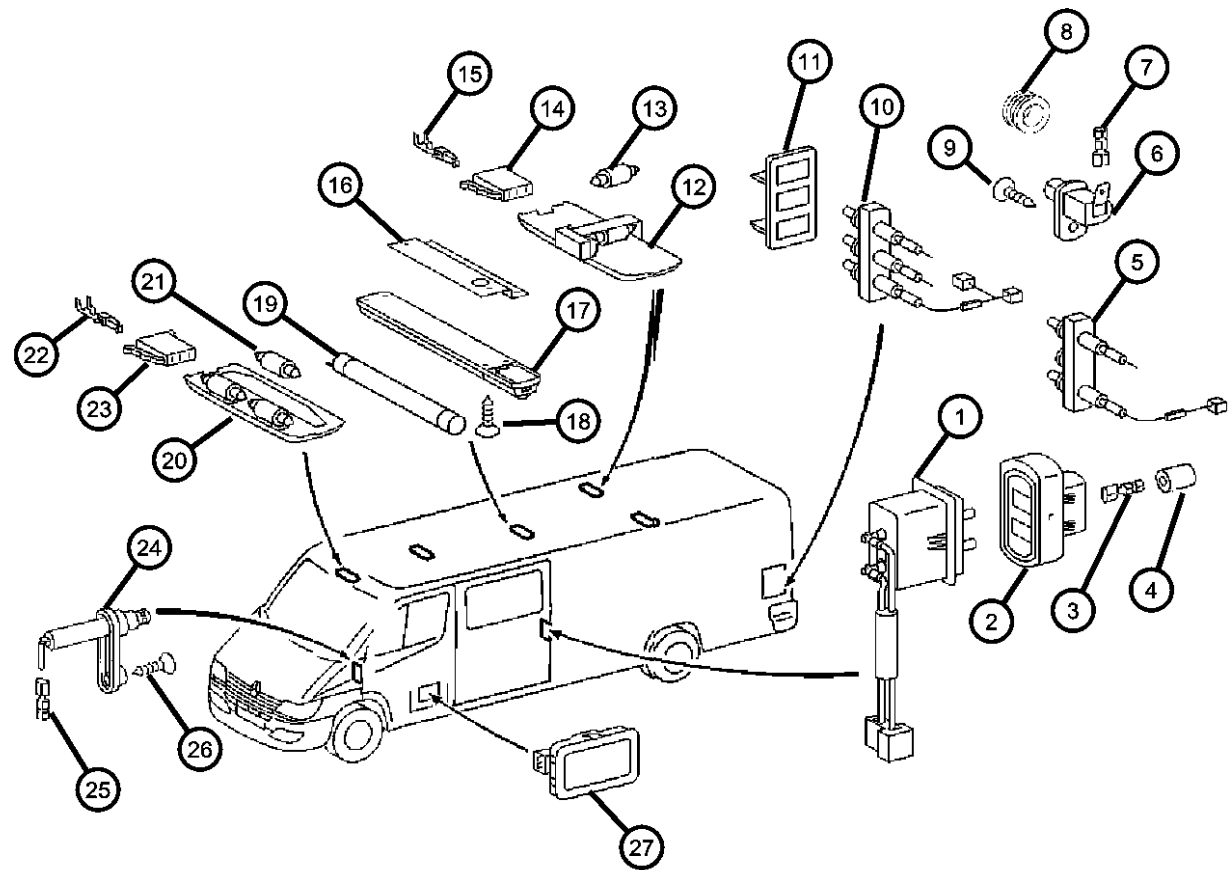
ITEM	PART NUMBER	QTY	LINE	SERIES	BODY	ENGINE	TRANS	TRIM	DESCRIPTION
1	05104463AA	2	2, 6	L	11, 12, 14, 15, 16	EX8	DGZ		CONTACT, Power Door Lock
		2	2, 6	L	51, 52, 54, 55, 56	EX8	DGZ		
		4	3, 7	L	12, 15, 16	EX8	DGZ		
2	05104461AA	2	2, 6	L	11, 12, 14, 15, 16	EX8	DGZ		CONTACT, Power Door Lock
		2	2, 6	L	51, 52, 54, 55, 56	EX8	DGZ		
		2	3, 7	L	12, 15, 16	EX8	DGZ		
3	05114451AA	99	2, 6	L	01, 02, 06	EX8	DGZ		TERMINAL, Female
		99	2, 6	L	11, 12, 14, 15, 16	EX8	DGZ		
		99	2, 6	L	51, 52, 54, 55, 56	EX8	DGZ		
		99	3, 7	L	02, 06	EX8	DGZ		
		99	3, 7	L	12, 15, 16	EX8	DGZ		
4	05133968AA	99	2, 6	L	01, 02, 06	EX8	DGZ		GROMMET
		99	2, 6	L	11, 12, 14, 15, 16	EX8	DGZ		
		99	2, 6	L	51, 52, 54, 55, 56	EX8	DGZ		
		99	3, 7	L	02, 06	EX8	DGZ		
		99	3, 7	L	12, 15, 16	EX8	DGZ		
5	05104016AA	3	2, 6	L	11, 12, 14, 15, 16	EX8	DGZ		CONTACT, Power Door Lock
		3	3, 7	L	12, 15, 16	EX8	DGZ		
		3	2, 6	L	51, 52, 54, 55, 56	EX8	DGZ		

SPRINTER (VA)

SERIES	LINE	BODY	ENGINE	TRANSMISSION
L = LOWLINE	3 = HD DODGE 2WD	01 = CHASSIS FORWARD CONTROL W.B.1	EX8 = 2.7L I5 Turbo Diesel Engine	DGJ = 5-Speed Automatic MB Transmission
	8 = HD DODGE 4WD	02 = CAB CHASSIS WHEEL BASE 2	EX9 = 2.7L I5 Mercedes-Benz TD Engine	DGZ = 4-Spd. Automatic MT643 Transmission
	6 = Lt. Duty DODGE 4WD	06 = CAB CHASSIS WHEEL BASE 6		
	2 = Med. Duty DODGE 2WD	11 = VAN WHEEL BASE 1		
	7 = Med. Duty DODGE 4WD	12 = VAN WHEEL BASE 2		
	4 = TRUCK	51 = WAGON WHEEL BASE 1		
		52 = WAGON WHEEL BASE 2		
		14 = VAN WHEEL BASE 4		
		15 = VAN WHEEL BASE 5		
		54 = WAGON WHEEL BASE 4		
		55 = WAGON WHEEL BASE 5		
		56 = WAGON WHEEL BASE 6		
		16 = VAN WHEEL BASE 6		

AR = use ase required - = Non illustrated part

Lamps Interior Cargo Van
Figure 8-1125



ITEM	PART NUMBER	QTY	LINE	SERIES	BODY	ENGINE	TRANS	TRIM	DESCRIPTION
6	05103678AA	1	2, 6	L	11, 12, 14, 15, 16	EX8	DGZ		SWITCH
		1	2, 6	L	51, 52, 54, 55, 56	EX8	DGZ		
		1	3, 7	L	12, 15, 16	EX8	DGZ		
7	05133359AA	99	2, 6	L	01, 02, 06	EX8	DGZ		TERMINAL, Female
		99	2, 6	L	11, 12, 14, 15, 16	EX8	DGZ		
		99	2, 6	L	51, 52, 54, 55, 56	EX8	DGZ		
8	05125931AA	1	2, 6	L	11, 12, 14, 15, 16	EX8	DGZ		GROMMET
		1	3, 7	L	12, 15, 16	EX8	DGZ		
9	05126106AA	2	2, 6	L	51, 52, 54, 55, 56	EX8	DGZ		SCREW
		2	3, 7	L	02, 06	EX8	DGZ		
		2	2, 6	L	11, 12, 14, 15, 16	EX8	DGZ		
10	05104015AA	3	3, 7	L	12, 15, 16	EX8	DGZ		TERMINAL, Heated Rear Window
		3	2, 6	L	11, 12, 14, 15, 16	EX8	DGZ		
		3	2, 6	L	51, 52, 54, 55, 56	EX8	DGZ		
11	05104465AA	3	2, 6	L	11, 12, 14, 15, 16	EX8	DGZ		CONTACT, Power Door Lock
		3	2, 6	L	51, 52, 54, 55, 56	EX8	DGZ		

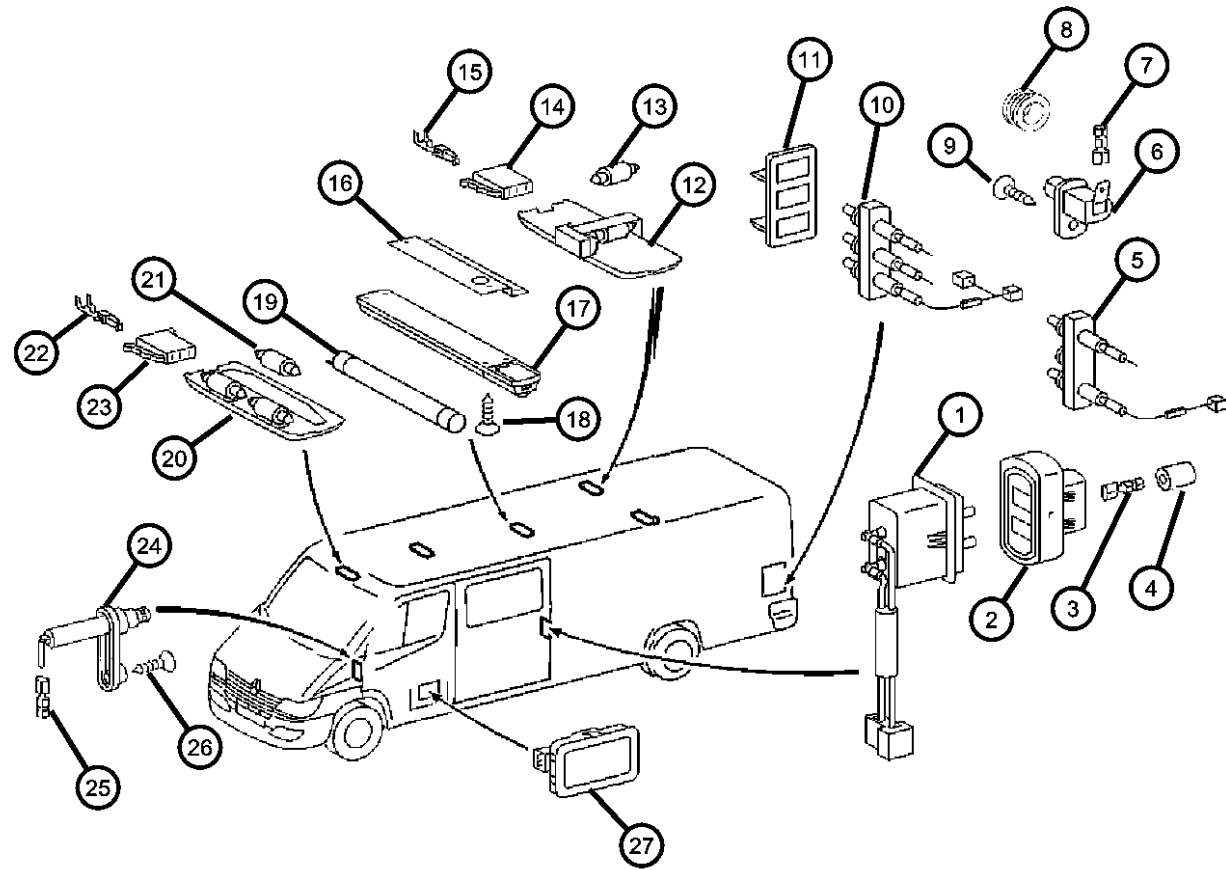
SPRINTER (VA)

SERIES	LINE	BODY	ENGINE	TRANSMISSION
L = LOWLINE	3 = HD DODGE 2WD 8 = HD DODGE 4WD 6 = Lt. Duty DODGE 4WD 2 = Med. Duty DODGE 2WD 7 = Med. Duty DODGE 4WD 4 = TRUCK	01 = CHASSIS FORWARD CONTROL W.B.1 02 = CAB CHASSIS WHEEL BASE 2 06 = CAB CHASSIS WHEEL BASE 6 11 = VAN WHEEL BASE 1 12 = VAN WHEEL BASE 2 51 = WAGON WHEEL BASE 1 52 = WAGON WHEEL BASE 2 14 = VAN WHEEL BASE 4 15 = VAN WHEEL BASE 5 54 = WAGON WHEEL BASE 4 55 = WAGON WHEEL BASE 5 56 = WAGON WHEEL BASE 6 16 = VAN WHEEL BASE 6	EX8 = 2.7L I5 Turbo Diesel Engine EX9 = 2.7L I5 Mercedes-Benz TD Engine	DGJ = 5-Speed Automatic MB Transmission DGZ = 4-Spd. Automatic MT643 Transmission

AR = use ase required - = Non illustrated part

2006 VA

Lamps Interior Cargo Van
Figure 8-1125



ITEM	PART NUMBER	QTY	LINE	SERIES	BODY	ENGINE	TRANS	TRIM	DESCRIPTION
12		3	3, 7	L	12, 15, 16	EX8	DGZ		LAMP, Cargo
	05104459AA	1	2, 6	L	16	EX8	DGZ		
		1	2, 6	L	01, 02, 06	EX8	DGZ		
		1	2, 6	L	11, 12, 14, 15, 16	EX8	DGZ		
		3	2, 6	L	12, 15	EX8	DGZ		
		2	2, 6	L	51, 52, 54, 55	EX8	DGZ		
		1	3, 7	L	02, 06	EX8	DGZ		
		1	3, 7	L	12, 15, 16	EX8	DGZ		
13									BULB
	05104645AA	1	2, 6	L	11, 12, 14, 15, 16	EX8	DGZ		
		3	2, 6	L	12, 15	EX8	DGZ		
		1	2, 6	L	01, 02, 06	EX8	DGZ		
		1	3, 7	L	12, 15, 16	EX8	DGZ		
		1	2, 6	L	51, 52, 54, 55, 56	EX8	DGZ		
		1	3, 7	L	02, 06	EX8	DGZ		
14									CONNECTOR
	05120545AA	1	2, 6	L	01, 02, 06	EX8	DGZ		
		1	2, 6	L	11, 12, 14, 15, 16	EX8	DGZ		
		1	2, 6	L	51, 52, 54, 55, 56	EX8	DGZ		
		1	3, 7	L	02, 06	EX8	DGZ		
		1	3, 7	L	12, 15, 16	EX8	DGZ		
15									TERMINAL
	05103881AA	99	2, 6	L	01, 02, 06	EX8	DGZ		

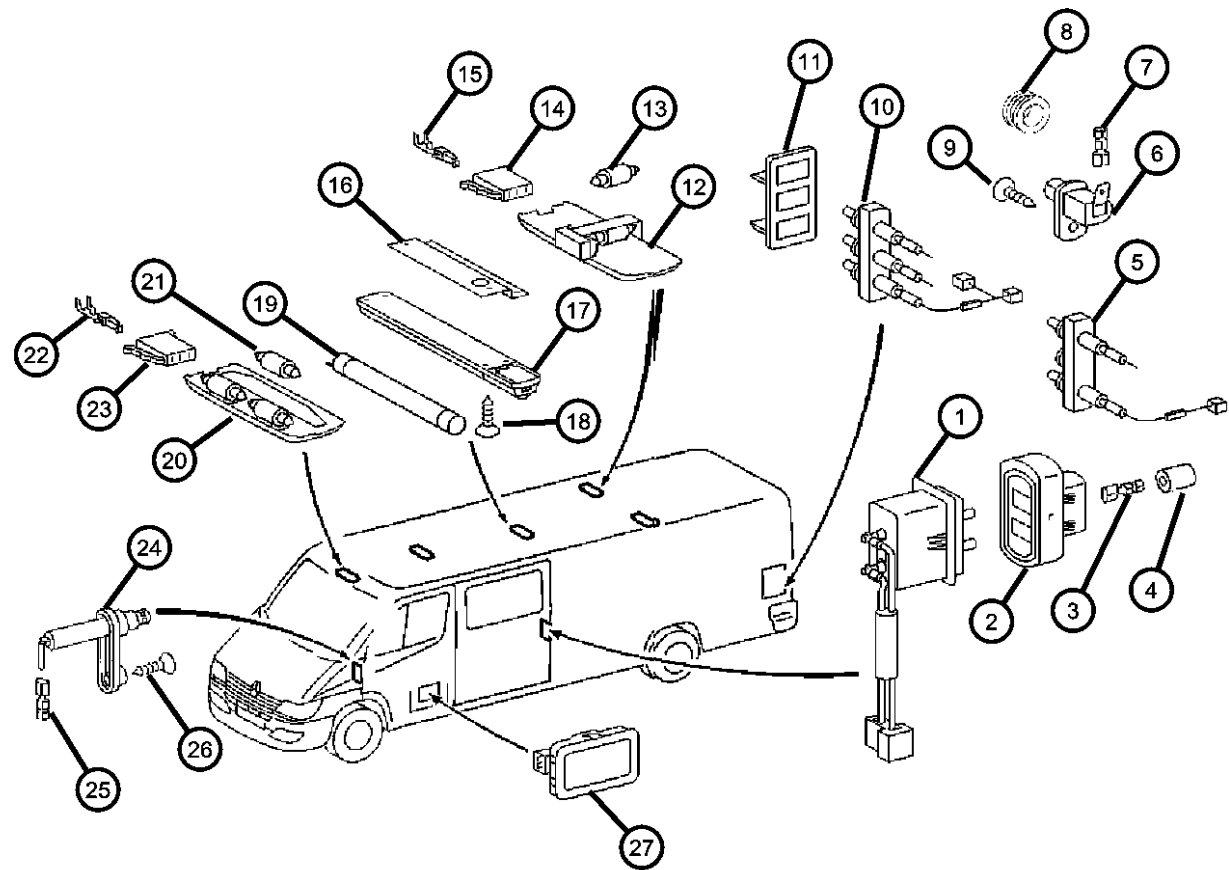
SPRINTER (VA)

SERIES	LINE	BODY	ENGINE	TRANSMISSION
L = LOWLINE	3 = HD DODGE 2WD 8 = HD DODGE 4WD 6 = Lt. Duty DODGE 4WD 2 = Med. Duty DODGE 2WD 7 = Med. Duty DODGE 4WD 4 = TRUCK	01 = CHASSIS FORWARD CONTROL W.B.1 02 = CAB CHASSIS WHEEL BASE 2 06 = CAB CHASSIS WHEEL BASE 6 11 = VAN WHEEL BASE 1 12 = VAN WHEEL BASE 2 51 = WAGON WHEEL BASE 1 52 = WAGON WHEEL BASE 2 14 = VAN WHEEL BASE 4 15 = VAN WHEEL BASE 5 54 = WAGON WHEEL BASE 4 55 = WAGON WHEEL BASE 5 56 = WAGON WHEEL BASE 6 16 = VAN WHEEL BASE 6	EX8 = 2.7L I5 Turbo Diesel Engine EX9 = 2.7L I5 Mercedes-Benz TD Engine	DGJ = 5-Speed Automatic MB Transmission DGZ = 4-Spd. Automatic MT643 Transmission

AR = use ase required - = Non illustrated part

2006 VA

Lamps Interior Cargo Van
Figure 8-1125



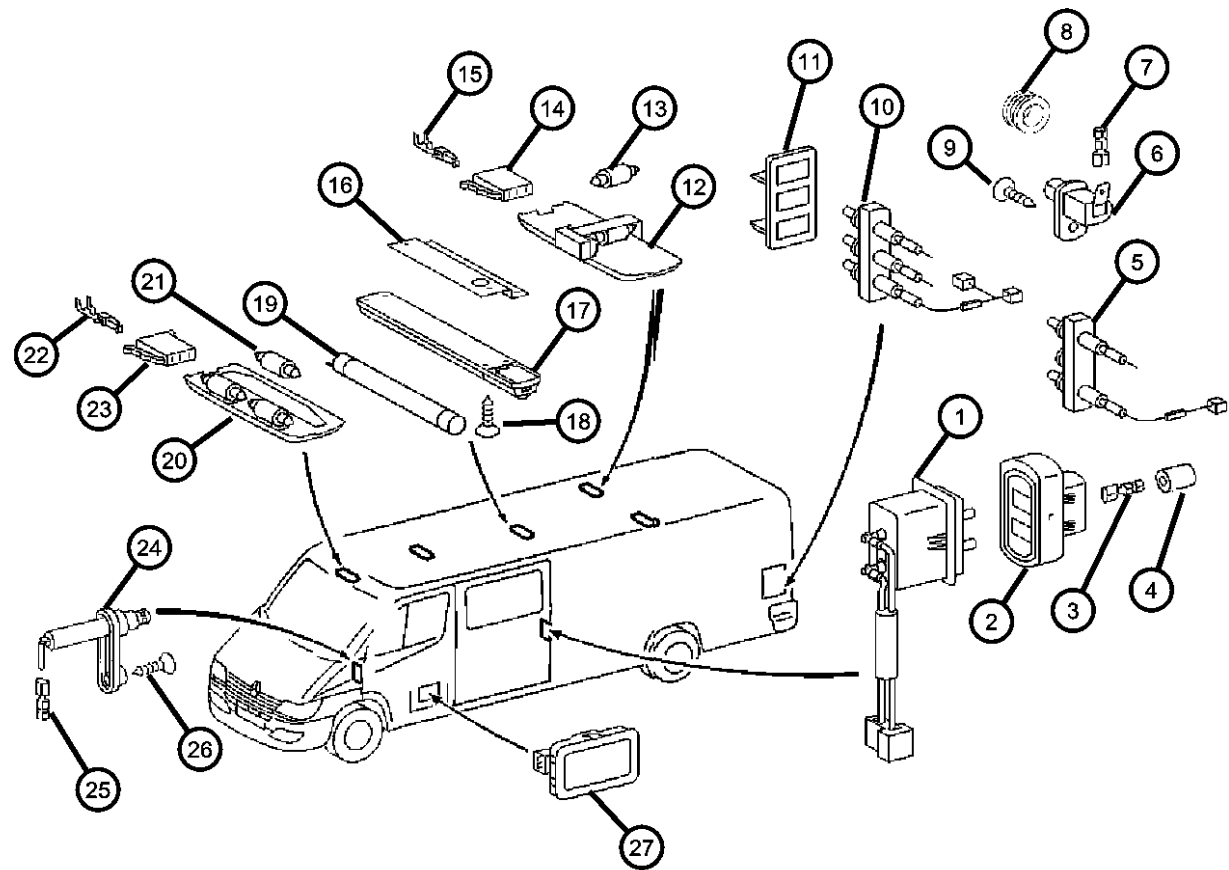
ITEM	PART NUMBER	QTY	LINE	SERIES	BODY	ENGINE	TRANS	TRIM	DESCRIPTION
		99	2, 6	L	11, 12, 14, 15, 16	EX8	DGZ		
		99	2, 6	L	51, 52, 54, 55, 56	EX8	DGZ		
		99	3, 7	L	02, 06	EX8	DGZ		
		99	3, 7	L	12, 15, 16	EX8	DGZ		
16									BRACKET
	05121426AA	1	2, 6	L	15	EX8	DGZ		
		1	3, 7	L	15	EX8	DGZ		
17									LAMP, Cargo
	05103764AA	1	2, 6	L	11, 12, 14, 15, 16	EX8	DGZ		
		1	3, 7	L	12, 15, 16	EX8	DGZ		
18									SCREW
	06104527AA	4	2, 6	L	11, 12, 14, 15, 16	EX8	DGZ		
		4	3, 7	L	12, 15, 16	EX8	DGZ		
19									BULB, 12V 8W
	05133563AA	99	3, 7	L	12, 15, 16	EX8	DGZ		
		1	2, 6	L	11, 12, 14, 15, 16	EX8	DGZ		
20									LAMP, Dome
	05133561AA	1	2, 6	L	01, 02, 06	EX8	DGZ		
		1	2, 6	L	11, 12, 14, 15, 16	EX8	DGZ		
		1	2, 6	L	51, 52, 54, 55, 56	EX8	DGZ		
		1	3, 7	L	02, 06	EX8	DGZ		
		1	3, 7	L	12, 15, 16	EX8	DGZ		
21									BULB, 12V 10W
	05096967AA	2	2, 6	L	01, 02, 06	EX8	DGZ		

SPRINTER (VA)

SERIES	LINE	BODY	ENGINE	TRANSMISSION
L = LOWLINE	3 = HD DODGE 2WD 8 = HD DODGE 4WD 6 = Lt. Duty DODGE 4WD 2 = Med. Duty DODGE 2WD 7 = Med. Duty DODGE 4WD 4 = TRUCK	01 = CHASSIS FORWARD CONTROL W.B.1 02 = CAB CHASSIS WHEEL BASE 2 06 = CAB CHASSIS WHEEL BASE 6 11 = VAN WHEEL BASE 1 12 = VAN WHEEL BASE 2 51 = WAGON WHEEL BASE 1 52 = WAGON WHEEL BASE 2 14 = VAN WHEEL BASE 4 15 = VAN WHEEL BASE 5 54 = WAGON WHEEL BASE 4 55 = WAGON WHEEL BASE 5 56 = WAGON WHEEL BASE 6 16 = VAN WHEEL BASE 6	EX8 = 2.7L I5 Turbo Diesel Engine EX9 = 2.7L I5 Mercedes-Benz TD Engine	DGJ = 5-Speed Automatic MB Transmission DGZ = 4-Spd. Automatic MT643 Transmission

AR = use ase required - = Non illustrated part

Lamps Interior Cargo Van
Figure 8-1125



ITEM	PART NUMBER	QTY	LINE	SERIES	BODY	ENGINE	TRANS	TRIM	DESCRIPTION
		2	2, 6	L	11, 12, 14, 15, 16	EX8	DGZ		
		2	2, 6	L	51, 52, 54, 55, 56	EX8	DGZ		
		2	3, 7	L	02, 06	EX8	DGZ		
		2	3, 7	L	12, 15, 16	EX8	DGZ		
22									TERMINAL
	05103882AA	99	2, 6	L	01, 02, 06	EX8	DGZ		
		99	2, 6	L	11, 12, 14, 15, 16	EX8	DGZ		
		99	2, 6	L	51, 52, 54, 55, 56	EX8	DGZ		
		99	3, 7	L	02, 06	EX8	DGZ		
		99	3, 7	L	12, 15, 16	EX8	DGZ		
23									CONNECTOR
	05120545AA	1	3, 7	L	02, 06	EX8	DGZ		
		1	3, 7	L	12, 15, 16	EX8	DGZ		
24									SWITCH, Door Ajar
	05103861AA	2	2, 6	L	01, 02, 06	EX8	DGZ		
		2	2, 6	L	11, 12, 14, 15, 16	EX8	DGZ		
		2	2, 6	L	51, 52, 54, 55, 56	EX8	DGZ		
		2	3, 7	L	02, 06	EX8	DGZ		
25									TERMINAL, Female
	05103871AA	99	2, 6	L	01, 02, 06	EX8	DGZ		
		99	2, 6	L	51, 52, 54, 55, 56	EX8	DGZ		
		99	3, 7	L	12, 15, 16	EX8	DGZ		
26									SCREW
	05126106AA	2	2, 6	L	01, 02, 06	EX8	DGZ		

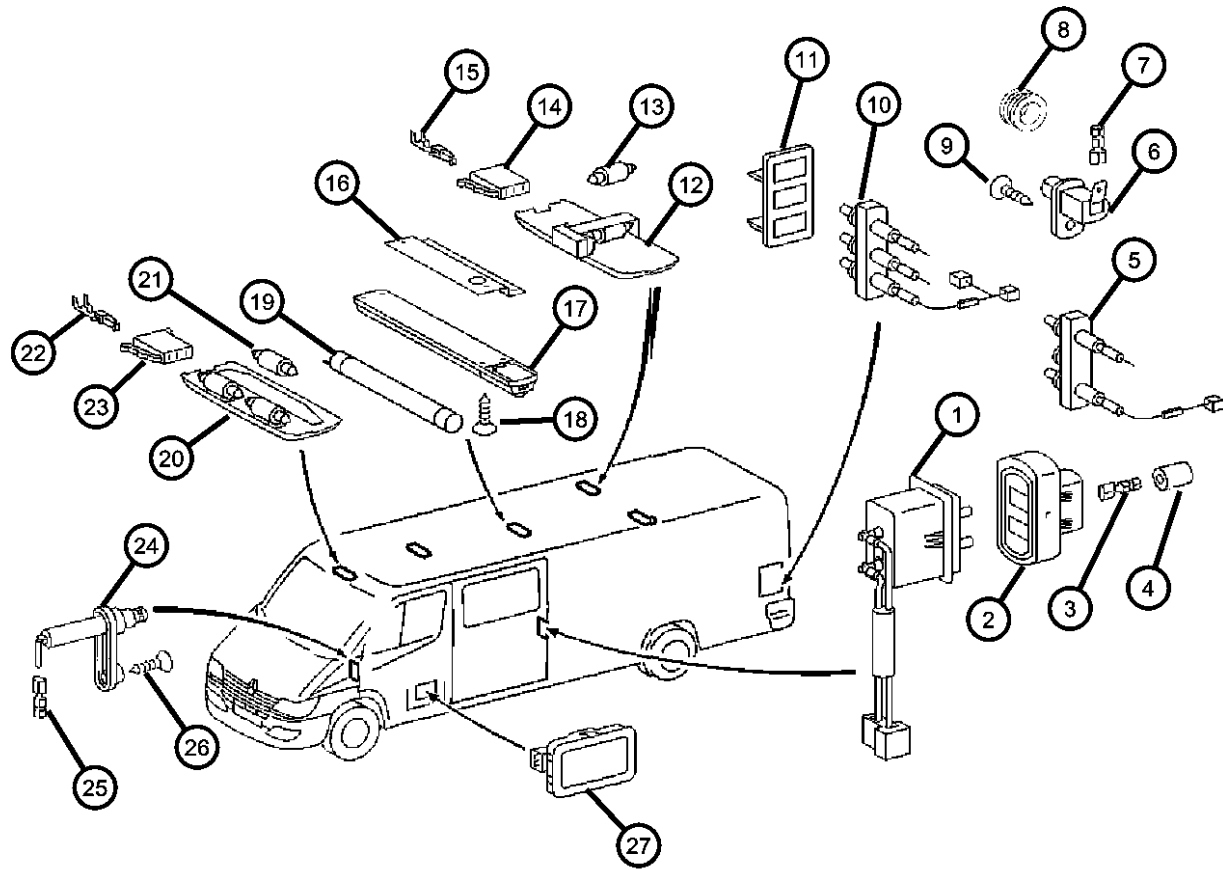
SPRINTER (VA)

SERIES	LINE	BODY	ENGINE	TRANSMISSION
L = LOWLINE	3 = HD DODGE 2WD 8 = HD DODGE 4WD 6 = Lt. Duty DODGE 4WD 2 = Med. Duty DODGE 2WD 7 = Med. Duty DODGE 4WD 4 = TRUCK	01 = CHASSIS FORWARD CONTROL W.B.1 02 = CAB CHASSIS WHEEL BASE 2 06 = CAB CHASSIS WHEEL BASE 6 11 = VAN WHEEL BASE 1 12 = VAN WHEEL BASE 2 51 = WAGON WHEEL BASE 1 52 = WAGON WHEEL BASE 2 14 = VAN WHEEL BASE 4 15 = VAN WHEEL BASE 5 54 = WAGON WHEEL BASE 4 55 = WAGON WHEEL BASE 5 56 = WAGON WHEEL BASE 6 16 = VAN WHEEL BASE 6	EX8 = 2.7L I5 Turbo Diesel Engine EX9 = 2.7L I5 Mercedes-Benz TD Engine	DGJ = 5-Speed Automatic MB Transmission DGZ = 4-Spd. Automatic MT643 Transmission

AR = use ase required - = Non illustrated part

Lamps Interior Cargo Van
Figure 8-1125

ITEM	PART NUMBER	QTY	LINE	SERIES	BODY	ENGINE	TRANS	TRIM	DESCRIPTION
		2	2, 6	L	11, 12, 14, 15, 16	EX8	DGZ		
		2	2, 6	L	51, 52, 54, 55, 56	EX8	DGZ		
		2	3, 7	L	02, 06	EX8	DGZ		
		2	3, 7	L	12, 15, 16	EX8	DGZ		
27	05103765AA	2	2, 6	L	01, 02, 06	EX8	DGZ		LAMP, Courtesy
		2	2, 6	L	11, 12, 14, 15, 16	EX8	DGZ		
		2	3, 7	L	02, 06	EX8	DGZ		
		2	3, 7	L	12, 15, 16	EX8	DGZ		
		2	2, 6	L	51, 52, 54, 55, 56	EX8	DGZ		



SPRINTER (VA)

SERIES	LINE	BODY	ENGINE	TRANSMISSION
L = LOWLINE	3 = HD DODGE 2WD 8 = HD DODGE 4WD 6 = Lt. Duty DODGE 4WD 2 = Med. Duty DODGE 2WD 7 = Med. Duty DODGE 4WD 4 = TRUCK	01 = CHASSIS FORWARD CONTROL W.B.1 02 = CAB CHASSIS WHEEL BASE 2 06 = CAB CHASSIS WHEEL BASE 6 11 = VAN WHEEL BASE 1 12 = VAN WHEEL BASE 2 51 = WAGON WHEEL BASE 1 52 = WAGON WHEEL BASE 2 14 = VAN WHEEL BASE 4 15 = VAN WHEEL BASE 5 54 = WAGON WHEEL BASE 4 55 = WAGON WHEEL BASE 5 56 = WAGON WHEEL BASE 6 16 = VAN WHEEL BASE 6	EX8 = 2.7L I5 Turbo Diesel Engine EX9 = 2.7L I5 Mercedes-Benz TD Engine	DGJ = 5-Speed Automatic MB Transmission DGZ = 4-Spd. Automatic MT643 Transmission

AR = use ase required - = Non illustrated part

Lamp - Bulbs
Figure 8-1130

BULB SPECIFICATIONS

LAMP	BULB
Backup	P21W - 12V 21W (1)
Brake & Rear Park	P21/5W - 12V 21/5W (1)
Center High Mounted Stop	P21W - 12V 21W (1)
Clearance	W3W - 12V 3W
Front Fog	H1 - 12V 55W (3)
Front Position	W5W - 12V 5W (6)
Front Turn, Park & Side Marker	3457 NA - 12V 28/7.5W Amber Glass (2) (5)
Low Beam Headlamp	H7 - 12V 55W (4)
High Beam Headlamp	H1 - 12V 55W (3)
License Plate	C5W - 12V 5W (8)
Rear Side Marker	R5W - 12V 5W (9)
Rear Turn	P21W - 12V 21W (10)
Side Repeater	W5W - 12V 3W (11)

ITEM	PART NUMBER	QTY	LINE	SERIES	BODY	ENGINE	TRANS	TRIM	DESCRIPTION
1	05104646AA	6	2, 6	L	01, 02, 06	EX8	DGZ		BULB
		4	2, 6	L	11, 12, 14, 15, 16	EX8	DGZ		
		4	3, 7	L	12, 15, 16	EX8	DGZ		
		4	2, 6	L	51, 52, 54, 55, 56	EX8	DGZ		
		6	3, 7	L	02, 06	EX8	DGZ		
2	05104608AA	2	2, 6	L	01, 02, 06	EX8	DGZ		BULB, 12V 5W
		2	2, 6	L	11, 12, 14, 15, 16	EX8	DGZ		
		2	2, 6	L	51, 52, 54, 55, 56	EX8	DGZ		
		2	3, 7	L	02, 06	EX8	DGZ		
		2	3, 7	L	12, 15, 16	EX8	DGZ		
3	05104682AA	99	2, 6	L	01, 02, 06	EX8	DGZ		BULB, Fog Lamp, 12V 55W
		99	2, 6	L	11, 12, 14, 15, 16	EX8	DGZ		
		99	2, 6	L	51, 52, 54, 55, 56	EX8	DGZ		
		2	3, 7	L	02, 06	EX8	DGZ		
		2	3, 7	L	12, 15, 16	EX8	DGZ		
4	05104684AA	2	3, 7	L	02, 06	EX8	DGZ		BULB, Headlamp, H-7
		2	3, 7	L	12, 15, 16	EX8	DGZ		
		2	2, 6	L	01, 02, 06	EX8	DGZ		
		2	2, 6	L	11, 12, 14, 15, 16	EX8	DGZ		
		2	2, 6	L	51, 52, 54, 55, 56	EX8	DGZ		

LAMP	BULB
Cargo/Dome Lamp	K - 12V 18W (7)
Dome/Reading Lamp	K - 12V 10W (12)
Dome Lamp w/Intrusion Sensor	K - 12V 6W
Entry/Exit Lamp	W5W - 12V 5W (13)

SPRINTER (VA)

SERIES

L = LOWLINE

LINE

3 = HD DODGE 2WD
8 = HD DODGE 4WD
6 = Lt. Duty DODGE 4WD
2 = Med. Duty DODGE 2WD
7 = Med. Duty DODGE 4WD
4 = TRUCK

BODY

01 = CHASSIS FORWARD CONTROL W.B.1
02 = CAB CHASSIS WHEEL BASE 2
06 = CAB CHASSIS WHEEL BASE 6
11 = VAN WHEEL BASE 1
12 = VAN WHEEL BASE 2
51 = WAGON WHEEL BASE 1
52 = WAGON WHEEL BASE 2
14 = VAN WHEEL BASE 4
15 = VAN WHEEL BASE 5
54 = WAGON WHEEL BASE 4
55 = WAGON WHEEL BASE 5
56 = WAGON WHEEL BASE 6
16 = VAN WHEEL BASE 6

ENGINE

EX8 = 2.7L I5 Turbo Diesel Engine
EX9 = 2.7L I5 Mercedes-Benz TD Engine

TRANSMISSION

DGJ = 5-Speed Automatic MB Transmission
DGZ = 4-Spd. Automatic MT643 Transmission

Lamp - Bulbs
Figure 8-1130

BULB SPECIFICATIONS

LAMP	BULB
Backup	P21W - 12V 21W (1)
Brake & Rear Park	P21/5W - 12V 21/5W (1)
Center High Mounted Stop	P21W - 12V 21W (1)
Clearance	W3W - 12V 3W
Front Fog	H1 - 12V 55W (3)
Front Position	W5W - 12V 5W (6)
Front Turn, Park & Side Marker	3457 NA - 12V 28/7.5W Amber Glass (2) (5)
Low Beam Headlamp	H7 - 12V 55W (4)
High Beam Headlamp	H1 - 12V 55W (3)
License Plate	C5W - 12V 5W (8)
Rear Side Marker	R5W - 12V 5W (9)
Rear Turn	P21W - 12V 21W (10)
Side Repeater	W5W - 12V 3W (11)

LAMP	BULB
Cargo/Dome Lamp	K - 12V 18W (7)
Dome/Reading Lamp	K - 12V 10W (12)
Dome Lamp w/Intrusion Sensor	K - 12V 6W
Entry/Exit Lamp	W5W - 12V 5W (13)

ITEM	PART NUMBER	QTY	LINE	SERIES	BODY	ENGINE	TRANS	TRIM	DESCRIPTION
5	05104647AA	2	2, 6	L	11, 12, 14, 15, 16	EX8	DGZ		BULB, TAIL LAMP
		2	2, 6	L	51, 52, 54, 55, 56	EX8	DGZ		
		2	3, 7	L	12, 15, 16	EX8	DGZ		
6	05104648AA	3	2, 6	L	01, 02, 06	EX8	DGZ		BULB, 12V 5W
		3	3, 7	L	02, 06	EX8	DGZ		
7	05104645AA	1	2, 6	L	01, 02, 06	EX8	DGZ		BULB
		1	2, 6	L	11, 12, 14, 15, 16	EX8	DGZ		
		1	2, 6	L	56	EX8	DGZ		
		1	3, 7	L	02, 06	EX8	DGZ		
		3	2, 6	L	12, 15	EX8	DGZ		
		1	2, 6	L	16	EX8	DGZ		
		1	2, 6	L	51, 52, 54, 55, 56	EX8	DGZ		
		3	2, 6	L	52, 55	EX8	DGZ		
		1	3, 7	L	12, 15, 16	EX8	DGZ		
8	05104649AA	6	3, 7	L	02, 06	EX8	DGZ		BULB
		6	2, 6	L	01, 02, 06	EX8	DGZ		
		2	2, 6	L	11, 12, 14, 15, 16	EX8	DGZ		
		2	2, 6	L	51, 52, 54, 55, 56	EX8	DGZ		
		2	3, 7	L	12, 15, 16	EX8	DGZ		
9	05104608AA	2	2, 6	L	01, 02, 06	EX8	DGZ		BULB, 12V 5W

SPRINTER (VA)

SERIES

L = LOWLINE

LINE

3 = HD DODGE 2WD
8 = HD DODGE 4WD
6 = Lt. Duty DODGE 4WD
2 = Med. Duty DODGE 2WD
7 = Med. Duty DODGE 4WD
4 = TRUCK

BODY

01 = CHASSIS FORWARD CONTROL W.B.1
02 = CAB CHASSIS WHEEL BASE 2
06 = CAB CHASSIS WHEEL BASE 6
11 = VAN WHEEL BASE 1
12 = VAN WHEEL BASE 2
51 = WAGON WHEEL BASE 1
52 = WAGON WHEEL BASE 2
14 = VAN WHEEL BASE 4
15 = VAN WHEEL BASE 5
54 = WAGON WHEEL BASE 4
55 = WAGON WHEEL BASE 5
56 = WAGON WHEEL BASE 6
16 = VAN WHEEL BASE 6

ENGINE

EX8 = 2.7L I5 Turbo Diesel Engine
EX9 = 2.7L I5 Mercedes-Benz TD Engine

TRANSMISSION

DGJ = 5-Speed Automatic MB Transmission
DGZ = 4-Spd. Automatic MT643 Transmission

Lamp - Bulbs
Figure 8-1130

BULB SPECIFICATIONS

ITEM	PART NUMBER	QTY	LINE	SERIES	BODY	ENGINE	TRANS	TRIM	DESCRIPTION
		2	2, 6	L	11, 12, 14, 15, 16	EX8	DGZ		
		2	2, 6	L	51, 52, 54, 55, 56	EX8	DGZ		
		2	3, 7	L	02, 06	EX8	DGZ		
		2	3, 7	L	12, 15, 16	EX8	DGZ		
10	05104646AA	6	2, 6	L	01, 02, 06	EX8	DGZ		BULB
		4	2, 6	L	11, 12, 14, 15, 16	EX8	DGZ		
		4	2, 6	L	51, 52, 54, 55, 56	EX8	DGZ		
11	05126194AA	2	2, 6	L	01, 02, 06	EX8	DGZ		BULB, 12V 5W
		2	2, 6	L	11, 12, 14, 15, 16	EX8	DGZ		
		2	2, 6	L	51, 52, 54, 55, 56	EX8	DGZ		
		2	3, 7	L	02, 06	EX8	DGZ		
		2	3, 7	L	12, 15, 16	EX8	DGZ		
12	05096967AA	2	2, 6	L	01, 02, 06	EX8	DGZ		BULB, 12V 10W
		2	2, 6	L	11, 12, 14, 15, 16	EX8	DGZ		
		2	2, 6	L	51, 52, 54, 55, 56	EX8	DGZ		
		2	3, 7	L	02, 06	EX8	DGZ		
		2	3, 7	L	12, 15, 16	EX8	DGZ		
13	05133563AA	1	2, 6	L	11, 12, 14, 15, 16	EX8	DGZ		BULB, 12V 8W

LAMP	BULB
Backup	P21W - 12V 21W (1)
Brake & Rear Park	P21/5W - 12V 21/5W (1)
Center High Mounted Stop	P21W - 12V 21W (1)
Clearance	W3W - 12V 3W
Front Fog	H1 - 12V 55W (3)
Front Position	W5W - 12V 5W (6)
Front Turn, Park & Side Marker	3457 NA - 12V 28/7.5W Amber Glass (2) (5)
Low Beam Headlamp	H7 - 12V 55W (4)
High Beam Headlamp	H1 - 12V 55W (3)
License Plate	C5W - 12V 5W (8)
Rear Side Marker	R5W - 12V 5W (9)
Rear Turn	P21W - 12V 21W (10)
Side Repeater	W5W - 12V 3W (11)

LAMP	BULB
Cargo/Dome Lamp	K - 12V 18W (7)
Dome/Reading Lamp	K - 12V 10W (12)
Dome Lamp w/Intrusion Sensor	K - 12V 6W
Entry/Exit Lamp	W5W - 12V 5W (13)

SPRINTER (VA)

SERIES

L = LOWLINE

LINE

3 = HD DODGE 2WD
8 = HD DODGE 4WD
6 = Lt. Duty DODGE 4WD
2 = Med. Duty DODGE 2WD
7 = Med. Duty DODGE 4WD
4 = TRUCK

BODY

01 = CHASSIS FORWARD CONTROL W.B.1
02 = CAB CHASSIS WHEEL BASE 2
06 = CAB CHASSIS WHEEL BASE 6
11 = VAN WHEEL BASE 1
12 = VAN WHEEL BASE 2
51 = WAGON WHEEL BASE 1
52 = WAGON WHEEL BASE 2
14 = VAN WHEEL BASE 4
15 = VAN WHEEL BASE 5
54 = WAGON WHEEL BASE 4
55 = WAGON WHEEL BASE 5
56 = WAGON WHEEL BASE 6
16 = VAN WHEEL BASE 6

ENGINE

EX8 = 2.7L I5 Turbo Diesel Engine
EX9 = 2.7L I5 Mercedes-Benz TD Engine

TRANSMISSION

DGJ = 5-Speed Automatic MB Transmission
DGZ = 4-Spd. Automatic MT643 Transmission

Lamp - Bulbs
Figure 8-1130

BULB SPECIFICATIONS

ITEM	PART NUMBER	QTY	LINE	SERIES	BODY	ENGINE	TRANS	TRIM	DESCRIPTION
------	-------------	-----	------	--------	------	--------	-------	------	-------------

LAMP	BULB
Backup	P21W - 12V 21W (1)
Brake & Rear Park	P21/5W - 12V 21/5W (1)
Center High Mounted Stop	P21W - 12V 21W (1)
Clearance	W3W - 12V 3W
Front Fog	H1 - 12V 55W (3)
Front Position	W5W - 12V 5W (6)
Front Turn, Park & Side Marker	3457 NA - 12V 28/7.5W Amber Glass (2) (5)
Low Beam Headlamp	H7 - 12V 55W (4)
High Beam Headlamp	H1 - 12V 55W (3)
License Plate	C5W - 12V 5W (8)
Rear Side Marker	R5W - 12V 5W (9)
Rear Turn	P21W - 12V 21W (10)
Side Repeater	W5W - 12V 3W (11)

99 3, 7 L 12, 15, 16 EX8 DGZ
-14 05175563AB 1 L

BULB KIT, DESIGNATION: BOX
H7 H1 CONTENTS 1 PC EACH
64210 LONGLIFE H7 L0000000H7
64150 LONGLIFE H1 05104682AA
7507 PY21W 05104662AA

LAMP	BULB
Cargo/Dome Lamp	K - 12V 18W (7)
Dome/Reading Lamp	K - 12V 10W (12)
Dome Lamp w/Intrusion Sensor	K - 12V 6W
Entry/Exit Lamp	W5W - 12V 5W (13)

SPRINTER (VA)

SERIES

L = LOWLINE

LINE

3 = HD DODGE 2WD
8 = HD DODGE 4WD
6 = Lt. Duty DODGE 4WD
2 = Med. Duty DODGE 2WD
7 = Med. Duty DODGE 4WD
4 = TRUCK

BODY

01 = CHASSIS FORWARD CONTROL W.B.1
02 = CAB CHASSIS WHEEL BASE 2
06 = CAB CHASSIS WHEEL BASE 6
11 = VAN WHEEL BASE 1
12 = VAN WHEEL BASE 2
51 = WAGON WHEEL BASE 1
52 = WAGON WHEEL BASE 2
14 = VAN WHEEL BASE 4
15 = VAN WHEEL BASE 5
54 = WAGON WHEEL BASE 4
55 = WAGON WHEEL BASE 5
56 = WAGON WHEEL BASE 6
16 = VAN WHEEL BASE 6

ENGINE

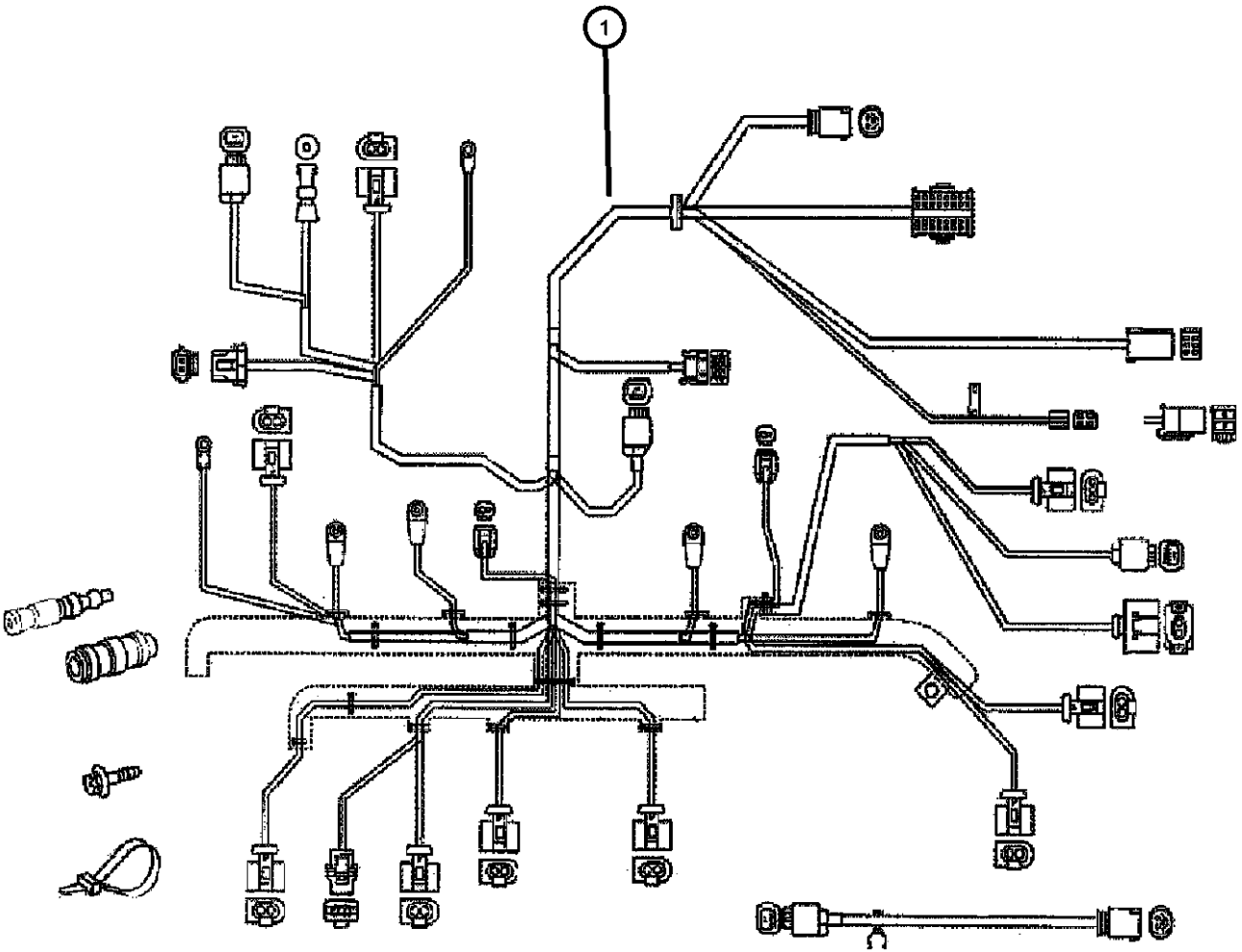
EX8 = 2.7L I5 Turbo Diesel Engine
EX9 = 2.7L I5 Mercedes-Benz TD Engine

TRANSMISSION

DGJ = 5-Speed Automatic MB Transmission
DGZ = 4-Spd. Automatic MT643 Transmission

Wiring - Engine
Figure 8-1205

ITEM	PART NUMBER	QTY	LINE	SERIES	BODY	ENGINE	TRANS	TRIM	DESCRIPTION
1	05120167AA	1	2, 3, 6, 7	L		EX8	DGZ		WIRING, Engine
-2									TERMINAL
	05103881AA	99	2, 6	L	01, 02, 06	EX8	DGZ		
		99	2, 6	L	11, 12, 14, 15, 16	EX8	DGZ		
		99	2, 6	L	51, 52, 54, 55, 56	EX8	DGZ		
		99	3, 7	L	02, 06	EX8	DGZ		
		99	3, 7	L	12, 15, 16	EX8	DGZ		
-3									CONNECTOR, Wiring
	05133396AA	1	2, 6	L	01, 02, 06	EX8	DGZ		
		1	2, 6	L	11, 12, 14, 15, 16	EX8	DGZ		
		1	2, 6	L	51, 52, 54, 55, 56	EX8	DGZ		
		1	3, 7	L	02, 06	EX8	DGZ		
		1	3, 7	L	12, 15, 16	EX8	DGZ		
-4									CONNECTOR
	05103753AA	99	2, 6	L	01, 02, 06	EX8	DGZ		
		99	2, 6	L	11, 12, 14, 15, 16	EX8	DGZ		
		99	2, 6	L	51, 52, 54, 55, 56	EX8	DGZ		
		99	3, 7	L	12, 15, 16	EX8	DGZ		
		1	3, 7	L	02, 06	EX8	DGZ		
-5									TERMINAL, Female
	05114451AA	99	2, 6	L	01, 02, 06	EX8	DGZ		
		99	2, 6	L	11, 12, 14, 15, 16	EX8	DGZ		
		99	2, 6	L	51, 52, 54, 55, 56	EX8	DGZ		
		99	3, 7	L	02, 06	EX8	DGZ		



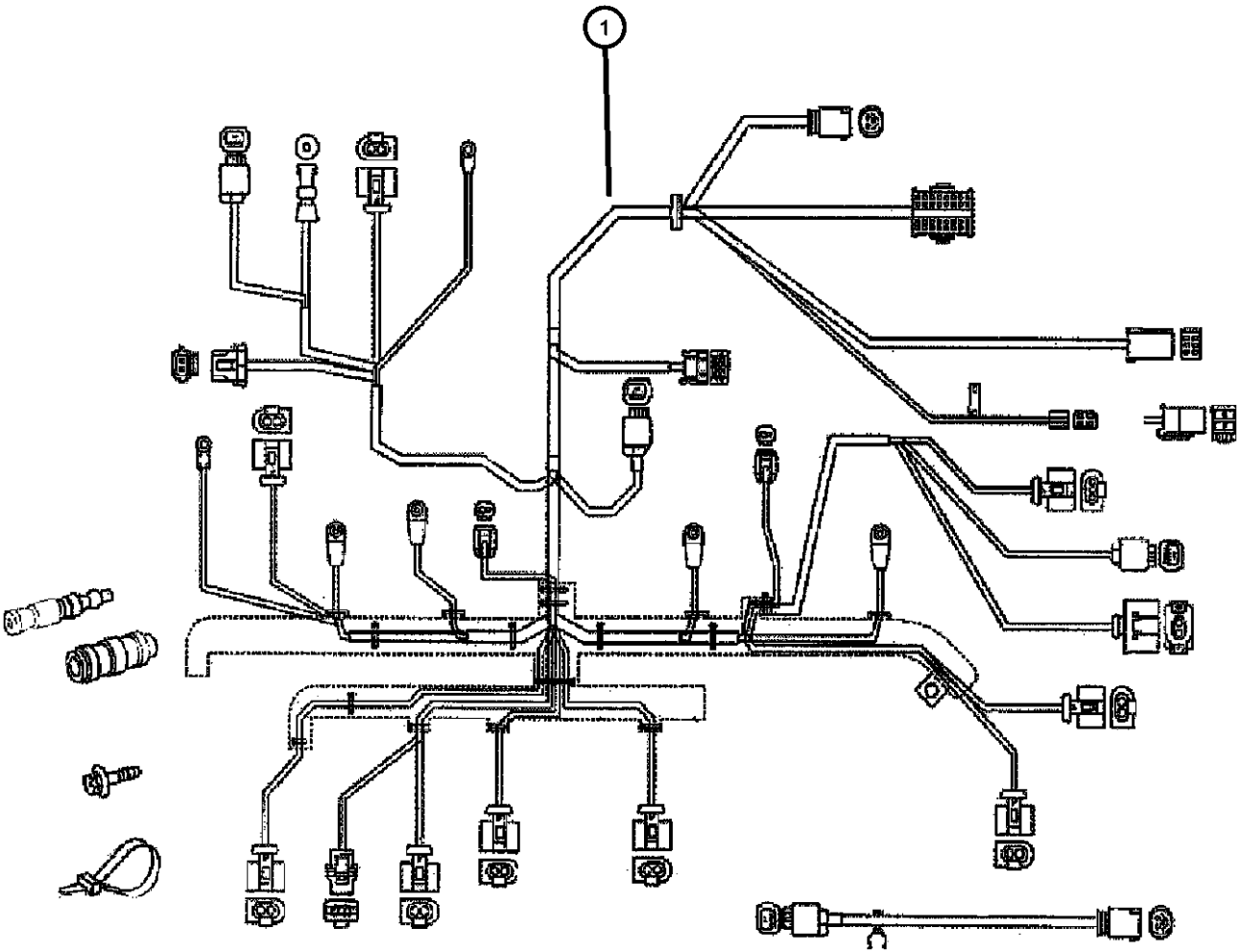
SPRINTER (VA)

SERIES	LINE	BODY	ENGINE	TRANSMISSION
L = LOWLINE	3 = HD DODGE 2WD 8 = HD DODGE 4WD 6 = Lt. Duty DODGE 4WD 2 = Med. Duty DODGE 2WD 7 = Med. Duty DODGE 4WD 4 = TRUCK	01 = CHASSIS FORWARD CONTROL W.B.1 02 = CAB CHASSIS WHEEL BASE 2 06 = CAB CHASSIS WHEEL BASE 6 11 = VAN WHEEL BASE 1 12 = VAN WHEEL BASE 2 51 = WAGON WHEEL BASE 1 52 = WAGON WHEEL BASE 2 14 = VAN WHEEL BASE 4 15 = VAN WHEEL BASE 5 54 = WAGON WHEEL BASE 4 55 = WAGON WHEEL BASE 5 56 = WAGON WHEEL BASE 6 16 = VAN WHEEL BASE 6	EX8 = 2.7L I5 Turbo Diesel Engine EX9 = 2.7L I5 Mercedes-Benz TD Engine	DGJ = 5-Speed Automatic MB Transmission DGZ = 4-Spd. Automatic MT643 Transmission

AR = use ase required - = Non illustrated part

Wiring - Engine
Figure 8-1205

ITEM	PART NUMBER	QTY	LINE	SERIES	BODY	ENGINE	TRANS	TRIM	DESCRIPTION
		99	3, 7	L	12, 15, 16	EX8	DGZ		
-6	05135801AA	99	2, 3, 6, 7	L		EX8	DGZ		WIRING REPAIR KIT, Diesel Engine



SPRINTER (VA)

SERIES
L = LOWLINE

LINE
3 = HD DODGE 2WD
8 = HD DODGE 4WD
6 = Lt. Duty DODGE 4WD
2 = Med. Duty DODGE 2WD
7 = Med. Duty DODGE 4WD
4 = TRUCK

BODY
01 = CHASSIS FORWARD CONTROL W.B.1
02 = CAB CHASSIS WHEEL BASE 2
06 = CAB CHASSIS WHEEL BASE 6
11 = VAN WHEEL BASE 1
12 = VAN WHEEL BASE 2
51 = WAGON WHEEL BASE 1
52 = WAGON WHEEL BASE 2
14 = VAN WHEEL BASE 4
15 = VAN WHEEL BASE 5
54 = WAGON WHEEL BASE 4
55 = WAGON WHEEL BASE 5
56 = WAGON WHEEL BASE 6
16 = VAN WHEEL BASE 6

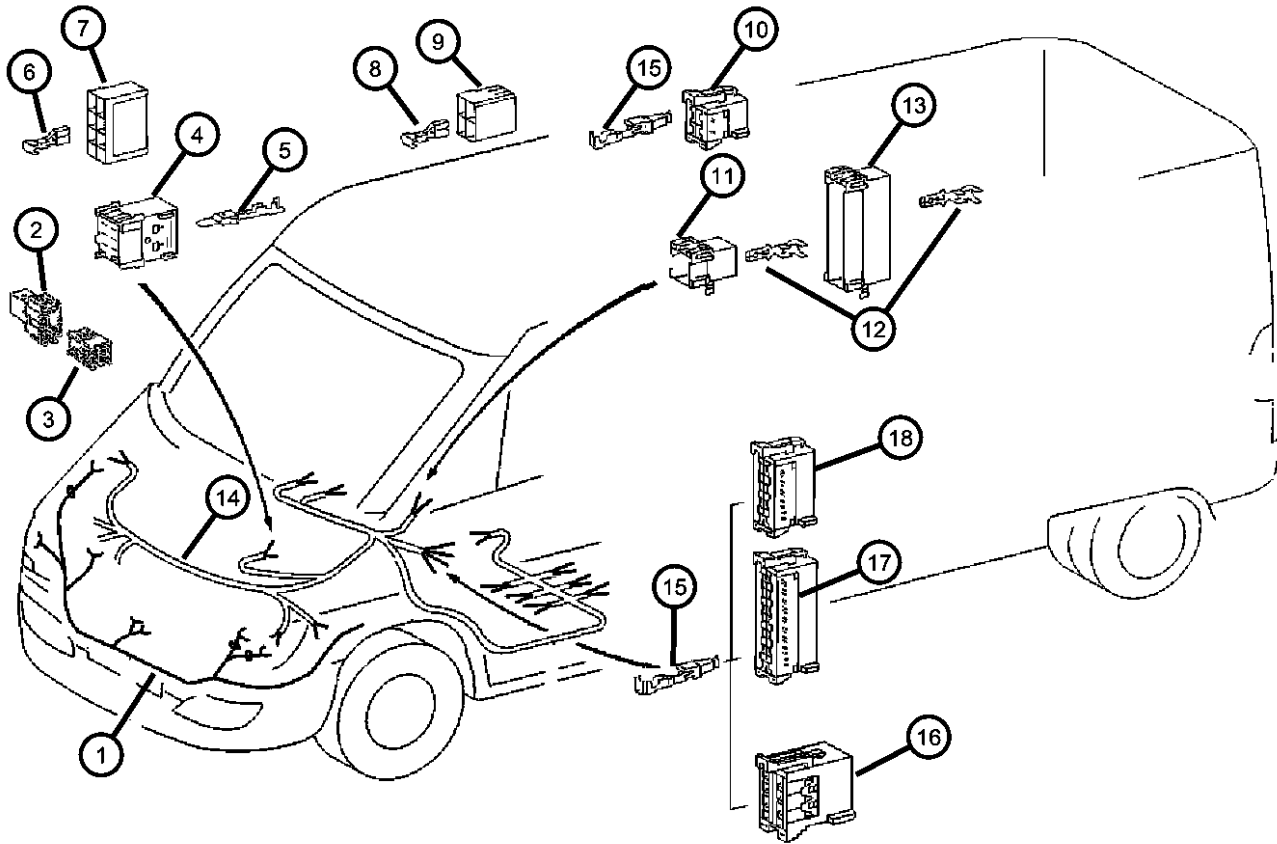
ENGINE
EX8 = 2.7L I5 Turbo Diesel Engine
EX9 = 2.7L I5 Mercedes-Benz TD Engine

TRANSMISSION
DGJ = 5-Speed Automatic MB Transmission
DGZ = 4-Spd. Automatic MT643 Transmission

AR = use ase required - = Non illustrated part

2006 VA

Wiring - Headlamp & Dash
Figure 8-1305



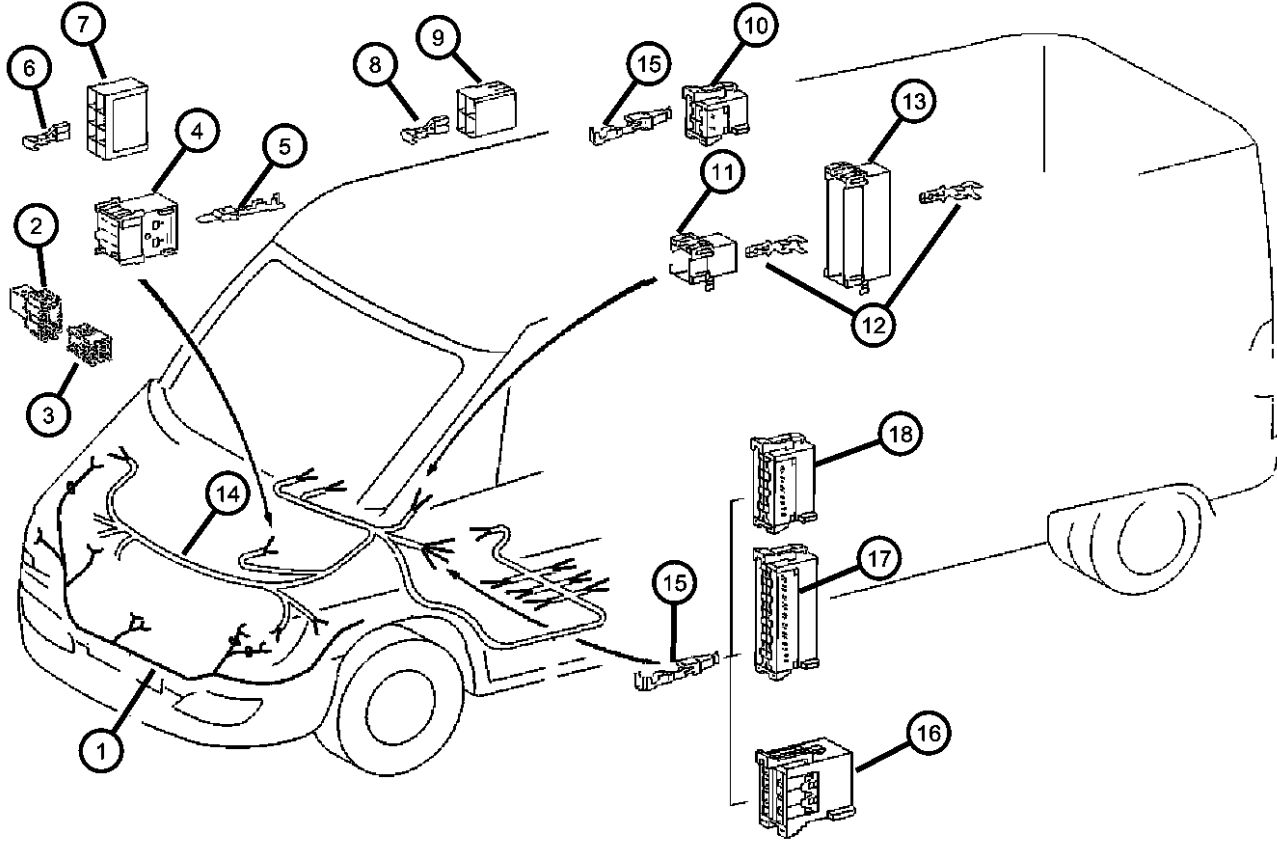
ITEM	PART NUMBER	QTY	LINE	SERIES	BODY	ENGINE	TRANS	TRIM	DESCRIPTION
1									WIRING, Headlamp
	05133398AA	1	2, 6	L	51, 52, 54, 55, 56	EX8	DGZ		Repair Harness For Front Lamps. Lamp Sockets Are Not Serviced
		1	3, 7	L	02, 06	EX8	DGZ		Repair Harness For Front Lamps. Lamp Sockets Are Not Serviced
		1	3, 7	L	12, 15, 16	EX8	DGZ		Repair Harness For Front Lamps. Lamp Sockets Are Not Serviced
		1	2, 6	L	01, 02, 06	EX8	DGZ		Repair Harness For Front Lamps. Lamp Sockets Are Not Serviced
		1	2, 6	L	15, 16, 11, 12, 14	EX8	DGZ		Repair Harness For Front Lamps. Lamp Sockets Are Not Serviced
2									INSULATOR, 4 Way Male
	05133397AA	1	2, 6	L	01, 02, 06	EX8	DGZ		
		1	2, 6	L	11, 12, 14, 15, 16	EX8	DGZ		
		1	2, 6	L	51, 52, 54, 55, 56	EX8	DGZ		
		1	3, 7	L	02, 06	EX8	DGZ		
		1	3, 7	L	12, 15, 16	EX8	DGZ		
3									CONNECTOR, Wiring
	05133396AA	1	2, 6	L	01, 02, 06	EX8	DGZ		
		1	2, 6	L	11, 12, 14, 15, 16	EX8	DGZ		
		1	2, 6	L	51, 52, 54, 55, 56	EX8	DGZ		
		1	3, 7	L	02, 06	EX8	DGZ		
		1	3, 7	L	12, 15, 16	EX8	DGZ		
4									INSULATOR, 6 Way Male
	05133327AA	1	2, 6	L	01, 02, 06	EX8	DGZ		

SPRINTER (VA)

SERIES	LINE	BODY	ENGINE	TRANSMISSION
L = LOWLINE	3 = HD DODGE 2WD 8 = HD DODGE 4WD 6 = Lt. Duty DODGE 4WD 2 = Med. Duty DODGE 2WD 7 = Med. Duty DODGE 4WD 4 = TRUCK	01 = CHASSIS FORWARD CONTROL W.B.1 02 = CAB CHASSIS WHEEL BASE 2 06 = CAB CHASSIS WHEEL BASE 6 11 = VAN WHEEL BASE 1 12 = VAN WHEEL BASE 2 51 = WAGON WHEEL BASE 1 52 = WAGON WHEEL BASE 2 14 = VAN WHEEL BASE 4 15 = VAN WHEEL BASE 5 54 = WAGON WHEEL BASE 4 55 = WAGON WHEEL BASE 5 56 = WAGON WHEEL BASE 6 16 = VAN WHEEL BASE 6	EX8 = 2.7L I5 Turbo Diesel Engine EX9 = 2.7L I5 Mercedes-Benz TD Engine	DGJ = 5-Speed Automatic MB Transmission DGZ = 4-Spd. Automatic MT643 Transmission

AR = use ase required - = Non illustrated part

**Wiring - Headlamp & Dash
Figure 8-1305**



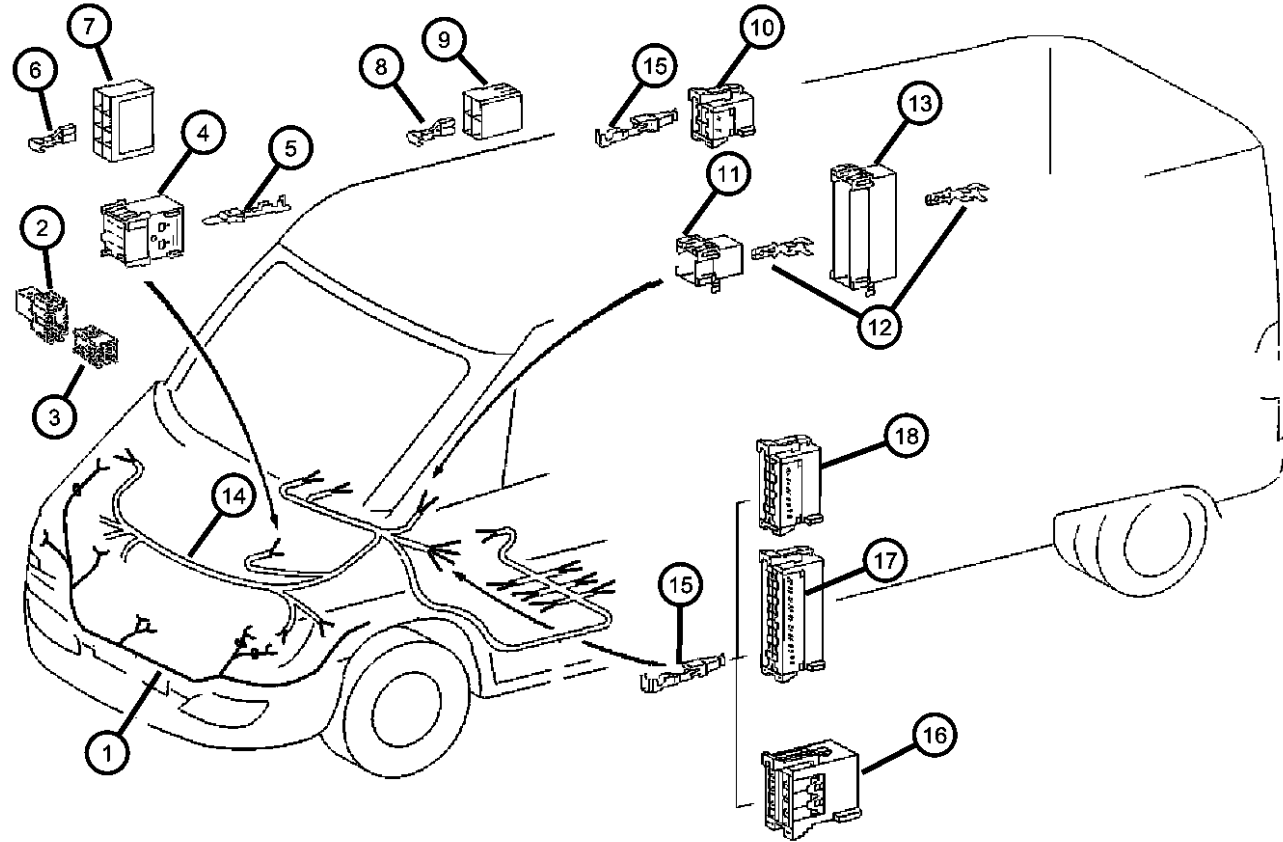
ITEM	PART NUMBER	QTY	LINE	SERIES	BODY	ENGINE	TRANS	TRIM	DESCRIPTION
		1	2, 6	L	11, 12, 14, 15, 16	EX8	DGZ		
		1	2, 6	L	51, 52, 54, 55, 56	EX8	DGZ		
		1	3, 7	L	02, 06	EX8	DGZ		
		1	3, 7	L	12, 15, 16	EX8	DGZ		
5									TERMINAL, Male
	05103909AA	1	2, 6	L	01, 02, 06	EX8	DGZ		
		1	2, 6	L	51, 52, 54, 55, 56	EX8	DGZ		
		1	3, 7	L	02, 06	EX8	DGZ		
		1	3, 7	L	12, 15, 16	EX8	DGZ		
		1	2, 6	L	11, 12, 14, 15, 16	EX8	DGZ		
6									TERMINAL, Female
	05133359AA	1	2, 6	L	01, 02, 06	EX8	DGZ		
		1	2, 6	L	11, 12, 14, 15, 16	EX8	DGZ		
		1	2, 6	L	51, 52, 54, 55, 56	EX8	DGZ		
		1	3, 7	L	02, 06	EX8	DGZ		
		1	3, 7	L	12, 15, 16	EX8	DGZ		
7									CONNECTOR
	05103752AA	1	2, 6	L	01, 02, 06	EX8	DGZ		
		1	2, 6	L	11, 12, 14, 15, 16	EX8	DGZ		
		1	2, 6	L	54, 55, 56, 51, 52	EX8	DGZ		
		1	3, 7	L	02, 06	EX8	DGZ		
		1	3, 7	L	12, 15, 16	EX8	DGZ		
8									TERMINAL, Female
	05133360AA	99	2, 6	L	01, 02, 06	EX8	DGZ		

SPRINTER (VA)

SERIES	LINE	BODY	ENGINE	TRANSMISSION
L = LOWLINE	3 = HD DODGE 2WD	01 = CHASSIS FORWARD CONTROL W.B.1	EX8 = 2.7L I5 Turbo Diesel Engine	DGJ = 5-Speed Automatic MB Transmission
	8 = HD DODGE 4WD	02 = CAB CHASSIS WHEEL BASE 2	EX9 = 2.7L I5 Mercedes-Benz TD Engine	DGZ = 4-Spd. Automatic MT643 Transmission
	6 = Lt. Duty DODGE 4WD	06 = CAB CHASSIS WHEEL BASE 6		
	2 = Med. Duty DODGE 2WD	11 = VAN WHEEL BASE 1		
	7 = Med. Duty DODGE 4WD	12 = VAN WHEEL BASE 2		
	4 = TRUCK	51 = WAGON WHEEL BASE 1		
		52 = WAGON WHEEL BASE 2		
		14 = VAN WHEEL BASE 4		
		15 = VAN WHEEL BASE 5		
		54 = WAGON WHEEL BASE 4		
		55 = WAGON WHEEL BASE 5		
		56 = WAGON WHEEL BASE 6		
		16 = VAN WHEEL BASE 6		

AR = use ase required - = Non illustrated part

Wiring - Headlamp & Dash
Figure 8-1305



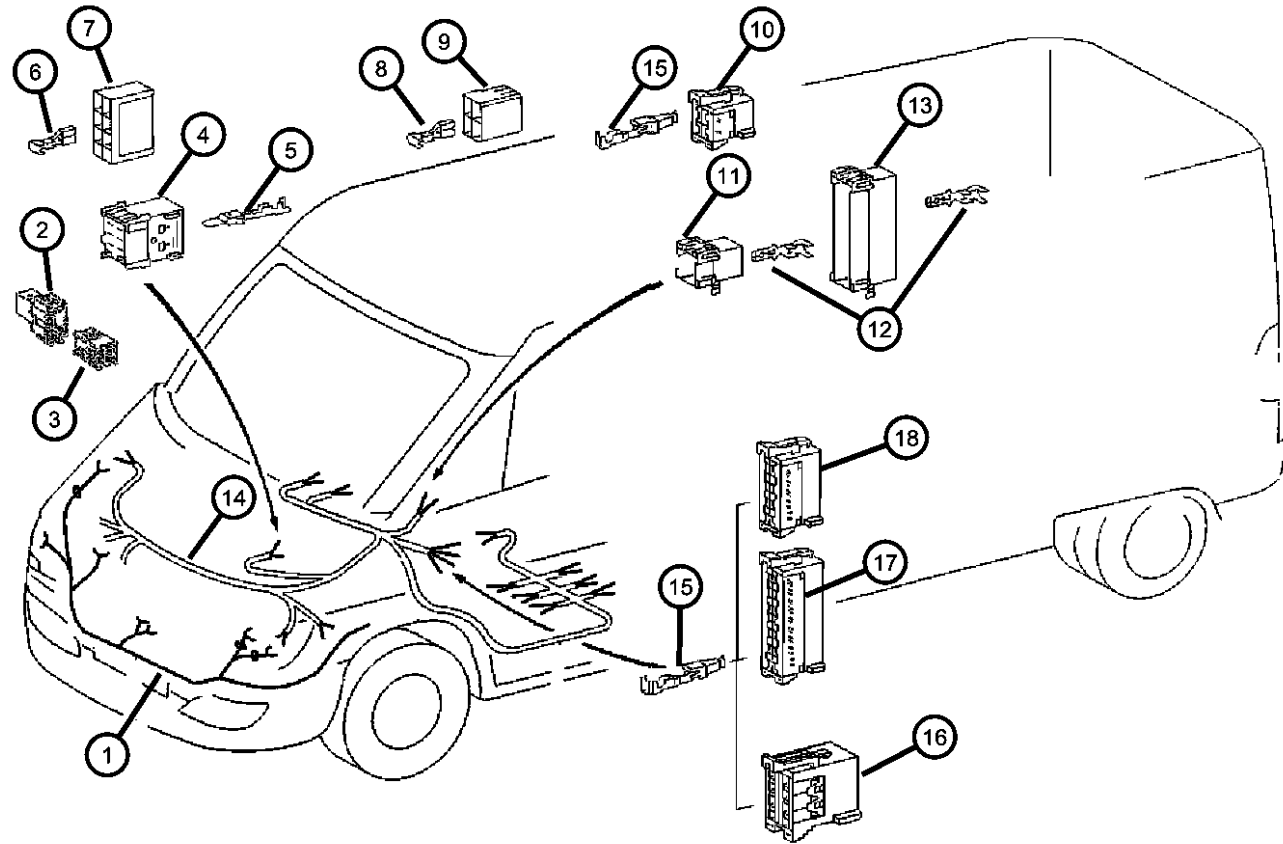
ITEM	PART NUMBER	QTY	LINE	SERIES	BODY	ENGINE	TRANS	TRIM	DESCRIPTION
		99	2, 6	L	11, 12, 14, 15, 16	EX8	DGZ		
		99	2, 6	L	51, 52, 54, 55, 56	EX8	DGZ		
		99	3, 7	L	02, 06	EX8	DGZ		
		99	3, 7	L	12, 15, 16	EX8	DGZ		
9									CONNECTOR
	05103753AA	99	2, 6	L	01, 02, 06	EX8	DGZ		
		99	2, 6	L	11, 12, 14, 15, 16	EX8	DGZ		
		99	2, 6	L	51, 52, 54, 55, 56	EX8	DGZ		
		99	3, 7	L	02, 06	EX8	DGZ		
		99	3, 7	L	12, 15, 16	EX8	DGZ		
10									CONNECTOR
	05120785AA	1	2, 6	L	01, 02, 06	EX8	DGZ		
		1	2, 6	L	11, 12, 14, 15, 16	EX8	DGZ		
		1	3, 7	L	02, 06	EX8	DGZ		
		1	3, 7	L	12, 15, 16	EX8	DGZ		
		1	2, 6	L	56, 51, 52, 54, 55	EX8	DGZ		
11									CONNECTOR
	05120791AA	1	2, 6	L	01, 02, 06	EX8	DGZ		
		1	2, 6	L	11, 12, 14, 15, 16	EX8	DGZ		
		1	6, 2	L	51, 52, 54, 55, 56	EX8	DGZ		
		1	3, 7	L	02, 06	EX8	DGZ		
		1	3, 7	L	12, 15, 16	EX8	DGZ		
12									TERMINAL, Male
	05133377AA	1	2, 6	L	01, 02, 06	EX8	DGZ		

SPRINTER (VA)

SERIES	LINE	BODY	ENGINE	TRANSMISSION
L = LOWLINE	3 = HD DODGE 2WD	01 = CHASSIS FORWARD CONTROL W.B.1	EX8 = 2.7L I5 Turbo Diesel Engine	DGJ = 5-Speed Automatic MB Transmission
	8 = HD DODGE 4WD	02 = CAB CHASSIS WHEEL BASE 2	EX9 = 2.7L I5 Mercedes-Benz TD Engine	DGZ = 4-Spd. Automatic MT643 Transmission
	6 = Lt. Duty DODGE 4WD	06 = CAB CHASSIS WHEEL BASE 6		
	2 = Med. Duty DODGE 2WD	11 = VAN WHEEL BASE 1		
	7 = Med. Duty DODGE 4WD	12 = VAN WHEEL BASE 2		
	4 = TRUCK	51 = WAGON WHEEL BASE 1		
		52 = WAGON WHEEL BASE 2		
		14 = VAN WHEEL BASE 4		
		15 = VAN WHEEL BASE 5		
		54 = WAGON WHEEL BASE 4		
		55 = WAGON WHEEL BASE 5		
		56 = WAGON WHEEL BASE 6		
		16 = VAN WHEEL BASE 6		

AR = use ase required - = Non illustrated part

Wiring - Headlamp & Dash
Figure 8-1305



ITEM	PART NUMBER	QTY	LINE	SERIES	BODY	ENGINE	TRANS	TRIM	DESCRIPTION
		1	2, 6	L	11, 12, 14, 15, 16	EX8	DGZ		
		1	2, 6	L	51, 52, 54, 55, 56	EX8	DGZ		
		1	3, 7	L	02, 06	EX8	DGZ		
		1	3, 7	L	12, 15, 16	EX8	DGZ		
13									CONNECTOR
	05120794AA	1	2, 6	L	01, 02, 06	EX8	DGZ		
		1	2, 6	L	11, 12, 14, 15, 16	EX8	DGZ		
		1	2, 6	L	51, 52, 54, 55, 56	EX8	DGZ		
		1	3, 7	L	06, 02	EX8	DGZ		
		1	3, 7	L	12, 15, 16	EX8	DGZ		
14									WIRING, Headlamp to Dash
	05114935AA	1	6, 2	L	01, 02, 06	EX8	DGZ		
		1	2, 6	L	11, 12, 14, 15, 16	EX8	DGZ		
		1	2, 6	L	51, 52, 54, 55, 56	EX8	DGZ		
		1	3, 7	L	02, 06	EX8	DGZ		
		1	3, 7	L	12, 15, 16	EX8	DGZ		
15									TERMINAL
	05103881AA	99	2, 6	L	11, 12, 14, 15, 16	EX8	DGZ		
		99	2, 6	L	51, 52, 54, 55, 56	EX8	DGZ		
		1	2, 6	L	01, 02, 06	EX8	DGZ		
		99	3, 7	L	02, 06	EX8	DGZ		
		99	3, 7	L	12, 15, 16	EX8	DGZ		
16									CONNECTOR
	05120796AA	1	2, 6	L	01, 02, 06	EX8	DGZ		

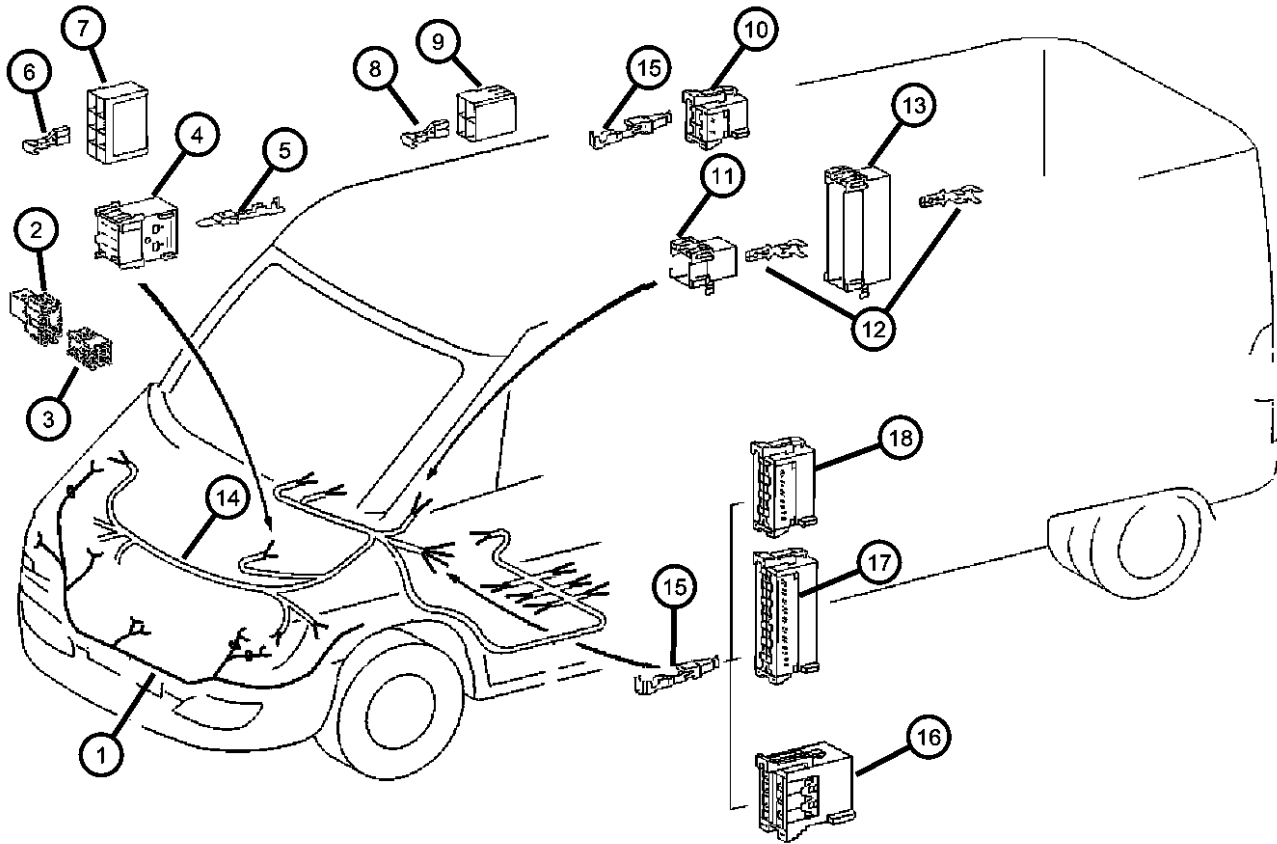
SPRINTER (VA)

SERIES	LINE	BODY	ENGINE	TRANSMISSION
L = LOWLINE	3 = HD DODGE 2WD 8 = HD DODGE 4WD 6 = Lt. Duty DODGE 4WD 2 = Med. Duty DODGE 2WD 7 = Med. Duty DODGE 4WD 4 = TRUCK	01 = CHASSIS FORWARD CONTROL W.B.1 02 = CAB CHASSIS WHEEL BASE 2 06 = CAB CHASSIS WHEEL BASE 6 11 = VAN WHEEL BASE 1 12 = VAN WHEEL BASE 2 51 = WAGON WHEEL BASE 1 52 = WAGON WHEEL BASE 2 14 = VAN WHEEL BASE 4 15 = VAN WHEEL BASE 5 54 = WAGON WHEEL BASE 4 55 = WAGON WHEEL BASE 5 56 = WAGON WHEEL BASE 6 16 = VAN WHEEL BASE 6	EX8 = 2.7L I5 Turbo Diesel Engine EX9 = 2.7L I5 Mercedes-Benz TD Engine	DGJ = 5-Speed Automatic MB Transmission DGZ = 4-Spd. Automatic MT643 Transmission

AR = use ase required - = Non illustrated part

2006 VA

**Wiring - Headlamp & Dash
Figure 8-1305**



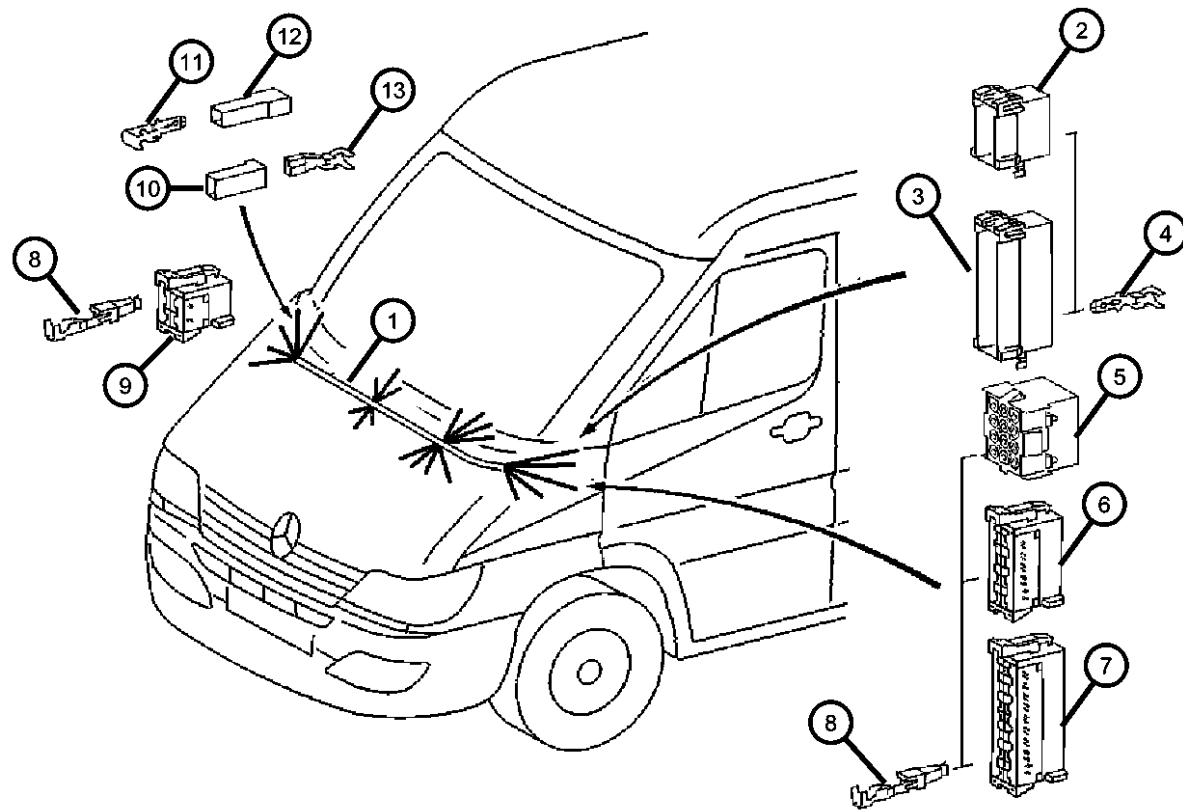
ITEM	PART NUMBER	QTY	LINE	SERIES	BODY	ENGINE	TRANS	TRIM	DESCRIPTION
		1	2, 6	L	11, 12, 14, 15, 16	EX8	DGZ		
		1	2, 6	L	51, 52, 54, 55, 56	EX8	DGZ		
		1	3, 7	L	02, 06	EX8	DGZ		
		1	3, 7	L	12, 15, 16	EX8	DGZ		
17									CONNECTOR
	05120789AA	1	2, 6	L	01, 02, 06	EX8	DGZ		
		1	2, 6	L	11, 12, 14, 15, 16	EX8	DGZ		
		1	2, 6	L	51, 52, 54, 55, 56	EX8	DGZ		
		1	3, 7	L	12, 15, 16	EX8	DGZ		
		1	3, 7	L	06, 02	EX8	DGZ		
18									CONNECTOR
	05120788AA	1	2, 6	L	01, 02, 06	EX8	DGZ		
		1	2, 6	L	11, 12, 14, 15, 16	EX8	DGZ		
		1	2, 6	L	51, 52, 54, 55, 56	EX8	DGZ		
		1	3, 7	L	02, 06	EX8	DGZ		
		1	3, 7	L	12, 15, 16	EX8	DGZ		

SPRINTER (VA)

SERIES	LINE	BODY	ENGINE	TRANSMISSION
L = LOWLINE	3 = HD DODGE 2WD 8 = HD DODGE 4WD 6 = Lt. Duty DODGE 4WD 2 = Med. Duty DODGE 2WD 7 = Med. Duty DODGE 4WD 4 = TRUCK	01 = CHASSIS FORWARD CONTROL W.B.1 02 = CAB CHASSIS WHEEL BASE 2 06 = CAB CHASSIS WHEEL BASE 6 11 = VAN WHEEL BASE 1 12 = VAN WHEEL BASE 2 51 = WAGON WHEEL BASE 1 52 = WAGON WHEEL BASE 2 14 = VAN WHEEL BASE 4 15 = VAN WHEEL BASE 5 54 = WAGON WHEEL BASE 4 55 = WAGON WHEEL BASE 5 56 = WAGON WHEEL BASE 6 16 = VAN WHEEL BASE 6	EX8 = 2.7L I5 Turbo Diesel Engine EX9 = 2.7L I5 Mercedes-Benz TD Engine	DGJ = 5-Speed Automatic MB Transmission DGZ = 4-Spd. Automatic MT643 Transmission

AR = use ase required - = Non illustrated part

Wiring - Instrument Panel
Figure 8-1405



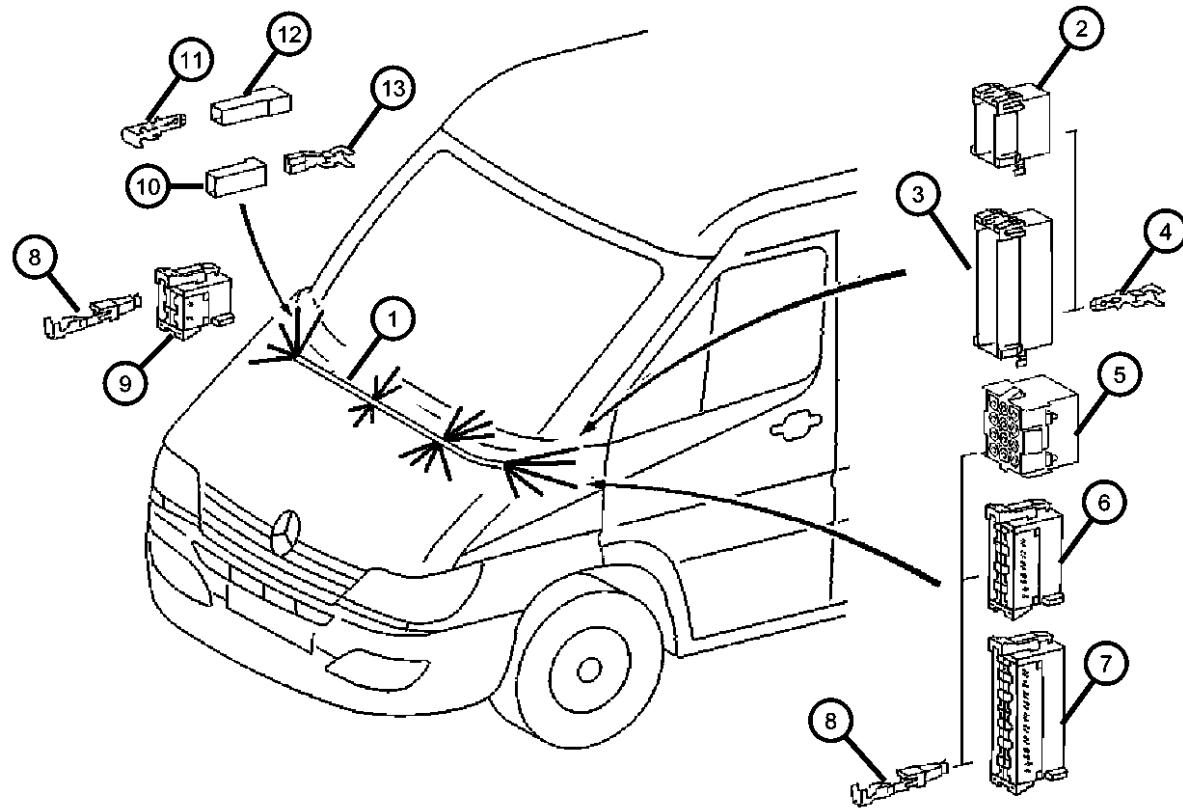
ITEM	PART NUMBER	QTY	LINE	SERIES	BODY	ENGINE	TRANS	TRIM	DESCRIPTION
1									WIRING, Instrument Panel
	05114933AA	1	2, 6	L	01, 02, 06	EX8	DGZ		
		1	2, 6	L	11, 12, 14, 15, 16	EX8	DGZ		
		1	2, 6	L	51, 52, 54, 55, 56	EX8	DGZ		
		1	3, 7	L	02, 06	EX8	DGZ		
		1	3, 7	L	12, 15, 16	EX8	DGZ		
2									INSULATOR
	05133393AA	1	2, 6	L	01, 02, 06	EX8	DGZ		
		1	2, 6	L	11, 12, 14, 15, 16	EX8	DGZ		
		1	2, 6	L	51, 52, 54, 55, 56	EX8	DGZ		
		1	3, 7	L	02, 06	EX8	DGZ		
		1	3, 7	L	12, 15, 16	EX8	DGZ		
3									CONNECTOR
	05120793AA	1	2, 6	L	01, 02, 06	EX8	DGZ		
		1	2, 6	L	11, 12, 14, 15, 16	EX8	DGZ		
		1	2, 6	L	51, 52, 54, 55, 56	EX8	DGZ		
		1	3, 7	L	02, 06	EX8	DGZ		
		1	3, 7	L	12, 15, 16	EX8	DGZ		
4									TERMINAL, Male
	05133377AA	1	2, 6	L	01, 02, 06	EX8	DGZ		
		1	2, 6	L	11, 12, 14, 15, 16	EX8	DGZ		
		1	2, 6	L	51, 52, 54, 55, 56	EX8	DGZ		
		1	3, 7	L	02, 06	EX8	DGZ		
		1	3, 7	L	12, 15, 16	EX8	DGZ		

SPRINTER (VA)

SERIES	LINE	BODY	ENGINE	TRANSMISSION
L = LOWLINE	3 = HD DODGE 2WD 8 = HD DODGE 4WD 6 = Lt. Duty DODGE 4WD 2 = Med. Duty DODGE 2WD 7 = Med. Duty DODGE 4WD 4 = TRUCK	01 = CHASSIS FORWARD CONTROL W.B.1 02 = CAB CHASSIS WHEEL BASE 2 06 = CAB CHASSIS WHEEL BASE 6 11 = VAN WHEEL BASE 1 12 = VAN WHEEL BASE 2 51 = WAGON WHEEL BASE 1 52 = WAGON WHEEL BASE 2 14 = VAN WHEEL BASE 4 15 = VAN WHEEL BASE 5 54 = WAGON WHEEL BASE 4 55 = WAGON WHEEL BASE 5 56 = WAGON WHEEL BASE 6 16 = VAN WHEEL BASE 6	EX8 = 2.7L I5 Turbo Diesel Engine EX9 = 2.7L I5 Mercedes-Benz TD Engine	DGJ = 5-Speed Automatic MB Transmission DGZ = 4-Spd. Automatic MT643 Transmission

AR = use ase required - = Non illustrated part

Wiring - Instrument Panel
Figure 8-1405



ITEM	PART NUMBER	QTY	LINE	SERIES	BODY	ENGINE	TRANS	TRIM	DESCRIPTION
5									CONNECTOR
	05120675AA	1	2, 6	L	01, 02, 06	EX8	DGZ		
		1	2, 6	L	11, 12, 14, 15, 16	EX8	DGZ		
		1	2, 6	L	51, 52, 54, 55, 56	EX8	DGZ		
		1	3, 7	L	02, 06	EX8	DGZ		
		1	3, 7	L	12, 15, 16	EX8	DGZ		
6									CONNECTOR
	05120787AA	1	2, 6	L	01, 02, 06	EX8	DGZ		
		1	2, 6	L	11, 12, 14, 15, 16	EX8	DGZ		
		1	2, 6	L	51, 52, 54, 55, 56	EX8	DGZ		
		1	3, 7	L	02, 06	EX8	DGZ		
		1	3, 7	L	12, 15, 16	EX8	DGZ		
7									CONNECTOR
	05120789AA	1	2, 6	L	01, 02, 06	EX8	DGZ		
		1	2, 6	L	11, 12, 14, 15, 16	EX8	DGZ		
		1	2, 6	L	51, 52, 54, 55, 56	EX8	DGZ		
		1	3, 7	L	02, 06	EX8	DGZ		
		1	3, 7	L	12, 15, 16	EX8	DGZ		
8									TERMINAL
	05103881AA	99	2, 6	L	01, 02, 06	EX8	DGZ		
		99	2, 6	L	11, 12, 14, 15, 16	EX8	DGZ		
		99	2, 6	L	51, 52, 54, 55, 56	EX8	DGZ		
		99	3, 7	L	02, 06	EX8	DGZ		
		99	3, 7	L	12, 15, 16	EX8	DGZ		

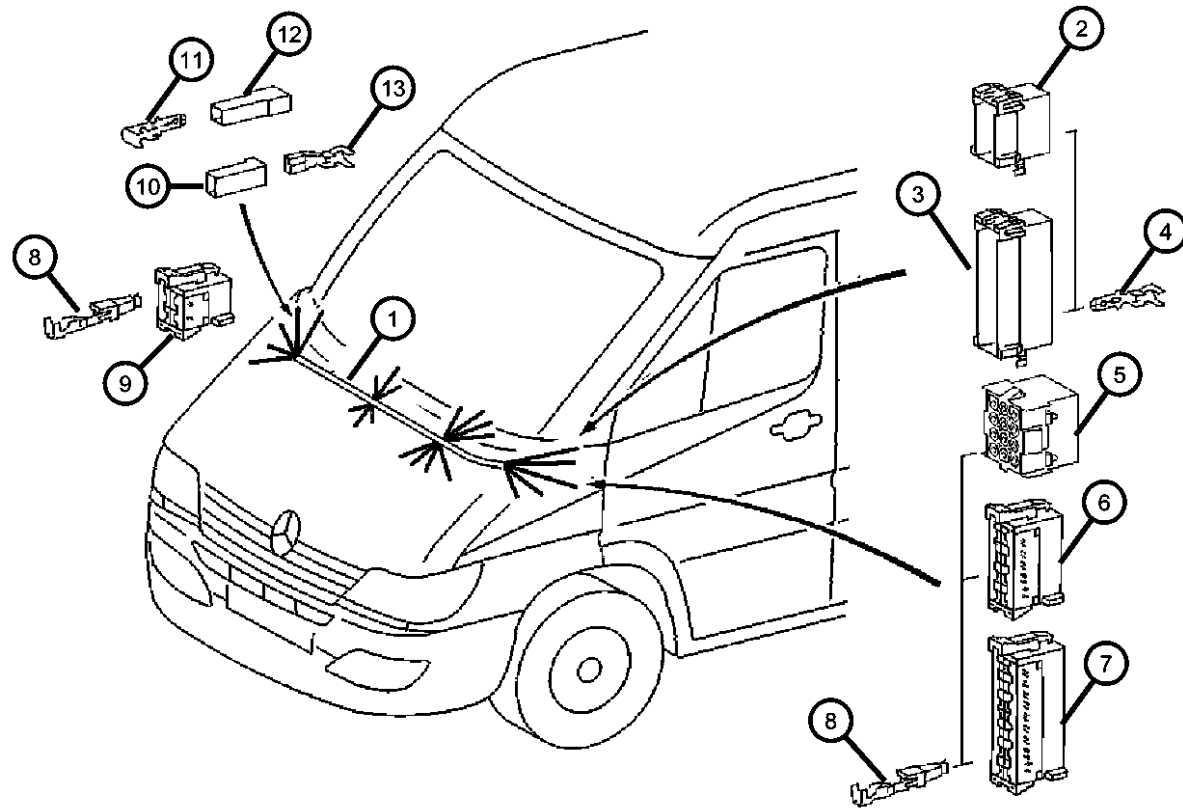
SPRINTER (VA)

SERIES	LINE	BODY	ENGINE	TRANSMISSION
L = LOWLINE	3 = HD DODGE 2WD 8 = HD DODGE 4WD 6 = Lt. Duty DODGE 4WD 2 = Med. Duty DODGE 2WD 7 = Med. Duty DODGE 4WD 4 = TRUCK	01 = CHASSIS FORWARD CONTROL W.B.1 02 = CAB CHASSIS WHEEL BASE 2 06 = CAB CHASSIS WHEEL BASE 6 11 = VAN WHEEL BASE 1 12 = VAN WHEEL BASE 2 51 = WAGON WHEEL BASE 1 52 = WAGON WHEEL BASE 2 14 = VAN WHEEL BASE 4 15 = VAN WHEEL BASE 5 54 = WAGON WHEEL BASE 4 55 = WAGON WHEEL BASE 5 56 = WAGON WHEEL BASE 6 16 = VAN WHEEL BASE 6	EX8 = 2.7L I5 Turbo Diesel Engine EX9 = 2.7L I5 Mercedes-Benz TD Engine	DGJ = 5-Speed Automatic MB Transmission DGZ = 4-Spd. Automatic MT643 Transmission

AR = use ase required - = Non illustrated part

2006 VA

Wiring - Instrument Panel
Figure 8-1405



ITEM	PART NUMBER	QTY	LINE	SERIES	BODY	ENGINE	TRANS	TRIM	DESCRIPTION
9									CONNECTOR
	05120785AA	1	2, 6	L	01, 02, 06	EX8	DGZ		
		1	2, 6	L	11, 12, 14, 15, 16	EX8	DGZ		
		1	2, 6	L	51, 52, 54, 55, 56	EX8	DGZ		
		1	3, 7	L	02, 06	EX8	DGZ		
		1	3, 7	L	12, 15, 16	EX8	DGZ		
10									CONNECTOR
	05120684AA	1	2, 6	L	11, 12, 14, 15, 16	EX8	DGZ		
		1	2, 6	L	51, 52, 54, 55, 56	EX8	DGZ		
		1	2, 6	L	01, 02, 06	EX8	DGZ		
		1	3, 7	L	12, 15, 16	EX8	DGZ		
		1	3, 7	L	02, 06	EX8	DGZ		
11									TERMINAL, Male
	05133391AA	99	2, 6	L	01, 02, 06	EX8	DGZ		
		99	2, 6	L	11, 12, 14, 15, 16	EX8	DGZ		
		99	2, 6	L	51, 52, 54, 55, 56	EX8	DGZ		
		99	3, 7	L	02, 06	EX8	DGZ		
		99	3, 7	L	12, 15, 16	EX8	DGZ		
12									INSULATOR
	05120685AA	2	2, 6	L	51, 52, 54, 55, 56	EX8	DGZ		
		2	2, 6	L	11, 12, 14, 15, 16	EX8	DGZ		
		1	2, 6	L	01, 02, 06	EX8	DGZ		
		2	3, 7	L	12, 15, 16	EX8	DGZ		
		1	3, 7	L	02, 06	EX8	DGZ		

SPRINTER (VA)

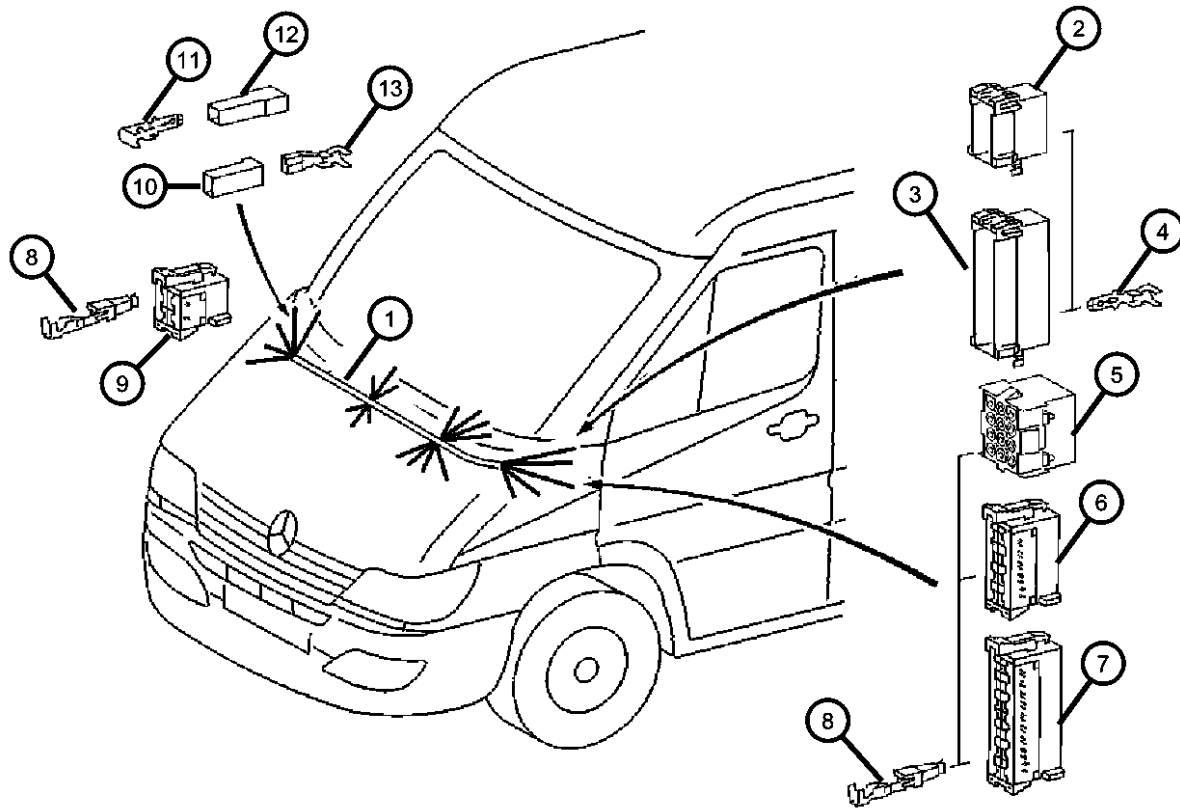
SERIES	LINE	BODY	ENGINE	TRANSMISSION
L = LOWLINE	3 = HD DODGE 2WD 8 = HD DODGE 4WD 6 = Lt. Duty DODGE 4WD 2 = Med. Duty DODGE 2WD 7 = Med. Duty DODGE 4WD 4 = TRUCK	01 = CHASSIS FORWARD CONTROL W.B.1 02 = CAB CHASSIS WHEEL BASE 2 06 = CAB CHASSIS WHEEL BASE 6 11 = VAN WHEEL BASE 1 12 = VAN WHEEL BASE 2 51 = WAGON WHEEL BASE 1 52 = WAGON WHEEL BASE 2 14 = VAN WHEEL BASE 4 15 = VAN WHEEL BASE 5 54 = WAGON WHEEL BASE 4 55 = WAGON WHEEL BASE 5 56 = WAGON WHEEL BASE 6 16 = VAN WHEEL BASE 6	EX8 = 2.7L I5 Turbo Diesel Engine EX9 = 2.7L I5 Mercedes-Benz TD Engine	DGJ = 5-Speed Automatic MB Transmission DGZ = 4-Spd. Automatic MT643 Transmission

AR = use ase required - = Non illustrated part

2006 VA

Wiring - Instrument Panel
Figure 8-1405

ITEM	PART NUMBER	QTY	LINE	SERIES	BODY	ENGINE	TRANS	TRIM	DESCRIPTION
13	05103871AA	1	2, 6	L	01, 02, 06	EX8	DGZ		TERMINAL, Female
		1	2, 6	L	11, 12, 14, 15, 16	EX8	DGZ		
		1	2, 6	L	51, 52, 54, 55, 56	EX8	DGZ		
		99	3, 7	L	12, 15, 16	EX8	DGZ		
		1	3, 7	L	02, 06	EX8	DGZ		
-14	05133418AA	1	2, 6	L	01, 02, 06	EX8	DGZ		WIRING, Instrument Panel Jumper
		1	2, 6	L	11, 12, 14, 15, 16	EX8	DGZ		Ash tray
		1	2, 6	L	51, 52, 54, 55, 56	EX8	DGZ		Ash tray
		1	3, 7	L	02, 06	EX8	DGZ		Ash tray
		1	3, 7	L	12, 15, 16	EX8	DGZ		Ash tray



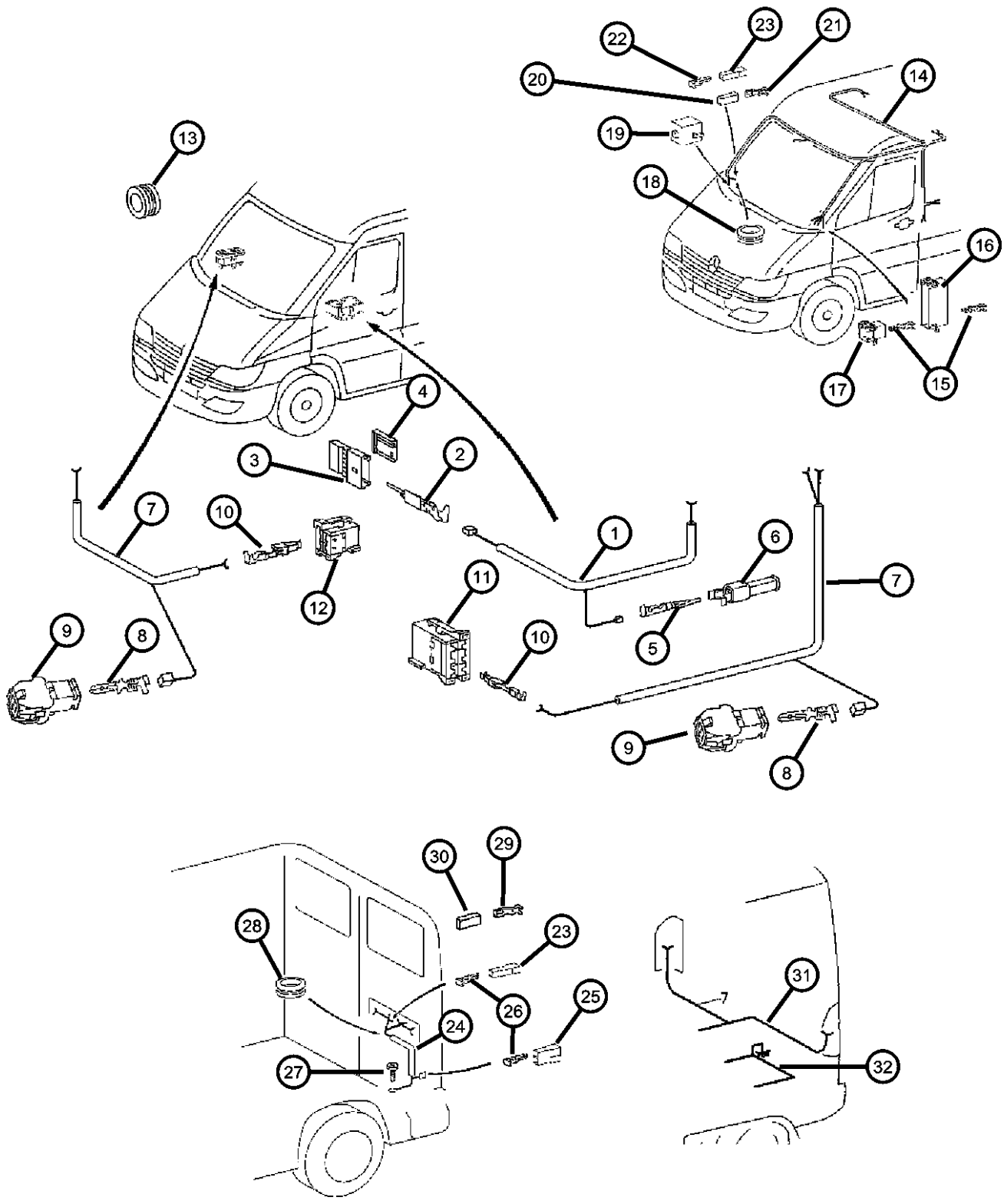
SPRINTER (VA)

SERIES	LINE	BODY	ENGINE	TRANSMISSION
L = LOWLINE	3 = HD DODGE 2WD 8 = HD DODGE 4WD 6 = Lt. Duty DODGE 4WD 2 = Med. Duty DODGE 2WD 7 = Med. Duty DODGE 4WD 4 = TRUCK	01 = CHASSIS FORWARD CONTROL W.B.1 02 = CAB CHASSIS WHEEL BASE 2 06 = CAB CHASSIS WHEEL BASE 6 11 = VAN WHEEL BASE 1 12 = VAN WHEEL BASE 2 51 = WAGON WHEEL BASE 1 52 = WAGON WHEEL BASE 2 14 = VAN WHEEL BASE 4 15 = VAN WHEEL BASE 5 54 = WAGON WHEEL BASE 4 55 = WAGON WHEEL BASE 5 56 = WAGON WHEEL BASE 6 16 = VAN WHEEL BASE 6	EX8 = 2.7L I5 Turbo Diesel Engine EX9 = 2.7L I5 Mercedes-Benz TD Engine	DGJ = 5-Speed Automatic MB Transmission DGZ = 4-Spd. Automatic MT643 Transmission

AR = use ase required - = Non illustrated part

2006 VA

Wiring - Body & Accessories
Figure 8-1505



ITEM	PART NUMBER	QTY	LINE	SERIES	BODY	ENGINE	TRANS	TRIM	DESCRIPTION
1									WIRING, Mirror Jumper
	05120224AA	1	3, 7	L	12, 15, 16	EX8	DGZ		[GTB]
	05133502AA	1	2, 6	L	01, 02, 06	EX8	DGZ		
		1	2, 6	L	11, 12, 14, 15, 16	EX8	DGZ		
		1	2, 6	L	01, 02, 06	EX8	DGZ		[GTB]
		1	2, 6	L	11, 12, 14, 15, 16	EX8	DGZ		[GTB]
		1	2, 6	L	51, 52, 54, 55, 56	EX8	DGZ		[GTB]
		1	3, 7	L	02, 06	EX8	DGZ		[GTB]
		1	2, 6	L	51, 52, 54, 55, 56	EX8	DGZ		
		1	3, 7	L	02, 06	EX8	DGZ		
2									TERMINAL, Male
	05133990AA	99	2, 6	L	01, 02, 06	EX8	DGZ		
		99	2, 6	L	11, 12, 14, 15, 16	EX8	DGZ		
		99	2, 6	L	51, 52, 54, 55, 56	EX8	DGZ		
		99	3, 7	L	02, 06	EX8	DGZ		
3									INSULATOR, 6 Way
	05133330AA	1	3, 7	L	02, 06	EX8	DGZ		
		1	3, 7	L	12, 15, 16	EX8	DGZ		
		1	2, 6	L	01, 02, 06	EX8	DGZ		
		1	2, 6	L	11, 12, 14, 15, 16	EX8	DGZ		
4									CONNECTOR, Instrument cluster
		1	2, 6	L	51, 52, 54, 55, 56	EX8	DGZ		

SPRINTER (VA)
SERIES
 L = LOWLINE

LINE
 3 = HD DODGE 2WD
 8 = HD DODGE 4WD
 6 = Lt. Duty DODGE 4WD
 2 = Med. Duty DODGE 2WD
 7 = Med. Duty DODGE 4WD
 4 = TRUCK

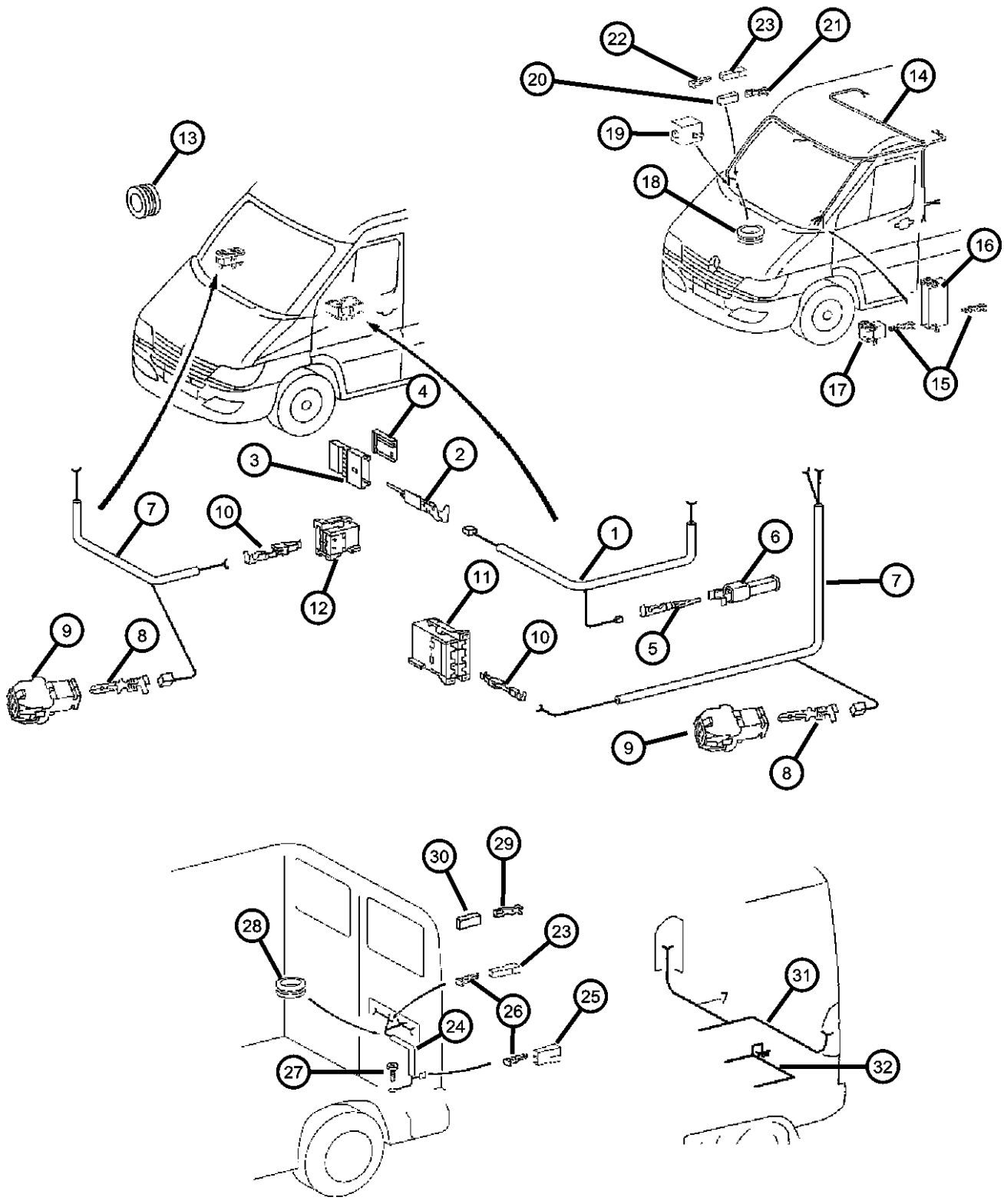
BODY
 01 = CHASSIS FORWARD CONTROL W.B.1
 02 = CAB CHASSIS WHEEL BASE 2
 06 = CAB CHASSIS WHEEL BASE 6
 11 = VAN WHEEL BASE 1
 12 = VAN WHEEL BASE 2
 51 = WAGON WHEEL BASE 1
 52 = WAGON WHEEL BASE 2
 14 = VAN WHEEL BASE 4
 15 = VAN WHEEL BASE 5
 54 = WAGON WHEEL BASE 4
 55 = WAGON WHEEL BASE 5
 56 = WAGON WHEEL BASE 6
 16 = VAN WHEEL BASE 6

ENGINE
 EX8 = 2.7L I5 Turbo Diesel Engine
 EX9 = 2.7L I5 Mercedes-Benz TD Engine

TRANSMISSION
 DGJ = 5-Speed Automatic MB Transmission
 DGZ = 4-Spd. Automatic MT643 Transmission

AR = use ase required - = Non illustrated part

Wiring - Body & Accessories
Figure 8-1505



ITEM	PART NUMBER	QTY	LINE	SERIES	BODY	ENGINE	TRANS	TRIM	DESCRIPTION
5	0513331AA	1	2, 6	L	01, 02, 06	EX8	DGZ		TERMINAL
		1	2, 6	L	11, 12, 14, 15, 16	EX8	DGZ		
		1	2, 6	L	51, 52, 54, 55, 56	EX8	DGZ		
		1	3, 7	L	02, 06	EX8	DGZ		
		1	3, 7	L	12, 15, 16	EX8	DGZ		
6	05133387AA	5	2, 6	L	01, 02, 06	EX8	DGZ		CONNECTOR
		5	2, 6	L	11, 12, 14, 15, 16	EX8	DGZ		
		5	2, 6	L	51, 52, 54, 55, 56	EX8	DGZ		
		5	3, 7	L	02, 06	EX8	DGZ		
		5	3, 7	L	12, 15, 16	EX8	DGZ		
7	05120744AA	1	2, 6	L	11, 12, 14, 15, 16	EX8	DGZ		WIRING, Power Window Drivers Side
		1	2, 6	L	51, 52, 54, 55, 56	EX8	DGZ		
		1	2, 6	L	01, 02, 06	EX8	DGZ		
		1	3, 7	L	02, 06	EX8	DGZ		
		1	3, 7	L	12, 15, 16	EX8	DGZ		
7	05120220AA	1	2, 6	L	01, 02, 06	EX8	DGZ		Drivers Side
		1	2, 6	L	11, 12, 14, 15, 16	EX8	DGZ		Drivers Side
7	05120222AA	1	2, 6	L	51, 52, 54, 55, 56	EX8	DGZ		Drivers Side
		1	3, 7	L	02, 06	EX8	DGZ		Drivers Side
7	05120222AA	1	2, 6	L	01, 02, 06	EX8	DGZ		Passenger Side

SPRINTER (VA)
SERIES
 L = LOWLINE

LINE
 3 = HD DODGE 2WD
 8 = HD DODGE 4WD
 6 = Lt. Duty DODGE 4WD
 2 = Med. Duty DODGE 2WD
 7 = Med. Duty DODGE 4WD
 4 = TRUCK

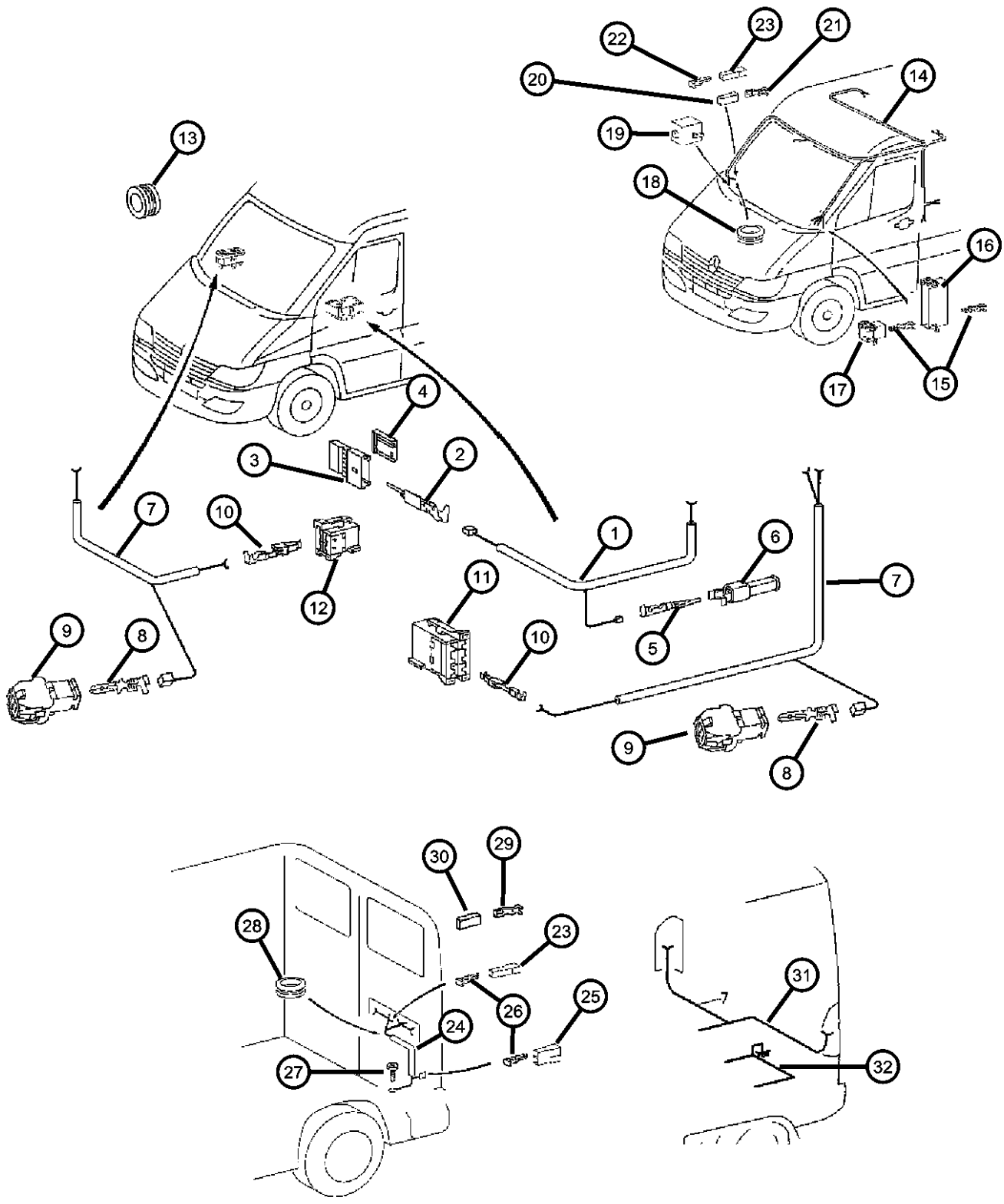
BODY
 01 = CHASSIS FORWARD CONTROL W.B.1
 02 = CAB CHASSIS WHEEL BASE 2
 06 = CAB CHASSIS WHEEL BASE 6
 11 = VAN WHEEL BASE 1
 12 = VAN WHEEL BASE 2
 51 = WAGON WHEEL BASE 1
 52 = WAGON WHEEL BASE 2
 14 = VAN WHEEL BASE 4
 15 = VAN WHEEL BASE 5
 54 = WAGON WHEEL BASE 4
 55 = WAGON WHEEL BASE 5
 56 = WAGON WHEEL BASE 6
 16 = VAN WHEEL BASE 6

ENGINE
 EX8 = 2.7L I5 Turbo Diesel Engine
 EX9 = 2.7L I5 Mercedes-Benz TD Engine

TRANSMISSION
 DGJ = 5-Speed Automatic MB Transmission
 DGZ = 4-Spd. Automatic MT643 Transmission

AR = use ase required - = Non illustrated part

Wiring - Body & Accessories
Figure 8-1505



ITEM	PART NUMBER	QTY	LINE	SERIES	BODY	ENGINE	TRANS	TRIM	DESCRIPTION
8	05133378AA	1	2, 6	L	11, 12, 14, 15, 16	EX8	DGZ		Passenger Side
		1	2, 6	L	51, 52, 54, 55, 56	EX8	DGZ		Passenger Side
		1	3, 7	L	02, 06	EX8	DGZ		Passenger Side
		1	3, 7	L	12, 15, 16	EX8	DGZ		Passenger Side
		99	2, 6	L	01, 02, 06	EX8	DGZ		TERMINAL, Male
		99	2, 6	L	11, 12, 14, 15, 16	EX8	DGZ		
		99	2, 6	L	51, 52, 54, 55, 56	EX8	DGZ		
		99	3, 7	L	02, 06	EX8	DGZ		
9	05103895AA	1	2, 6	L	01, 02, 06	EX8	DGZ		CONNECTOR
		1	2, 6	L	11, 12, 14, 15, 16	EX8	DGZ		
		1	2, 6	L	51, 52, 54, 55, 56	EX8	DGZ		
		1	3, 7	L	02, 06	EX8	DGZ		
		1	3, 7	L	12, 15, 16	EX8	DGZ		
		1	3, 7	L	12, 15, 16	EX8	DGZ		
10	05103881AA	99	2, 6	L	01, 02, 06	EX8	DGZ		TERMINAL
		99	2, 6	L	11, 12, 14, 15, 16	EX8	DGZ		
		99	2, 6	L	51, 52, 54, 55, 56	EX8	DGZ		
		99	3, 7	L	02, 06	EX8	DGZ		
		99	3, 7	L	12, 15, 16	EX8	DGZ		
		99	3, 7	L	12, 15, 16	EX8	DGZ		
11	05120786AA	1	2, 6	L	01, 02, 06	EX8	DGZ		CONNECTOR

SPRINTER (VA)
SERIES
 L = LOWLINE

LINE
 3 = HD DODGE 2WD
 8 = HD DODGE 4WD
 6 = Lt. Duty DODGE 4WD
 2 = Med. Duty DODGE 2WD
 7 = Med. Duty DODGE 4WD
 4 = TRUCK

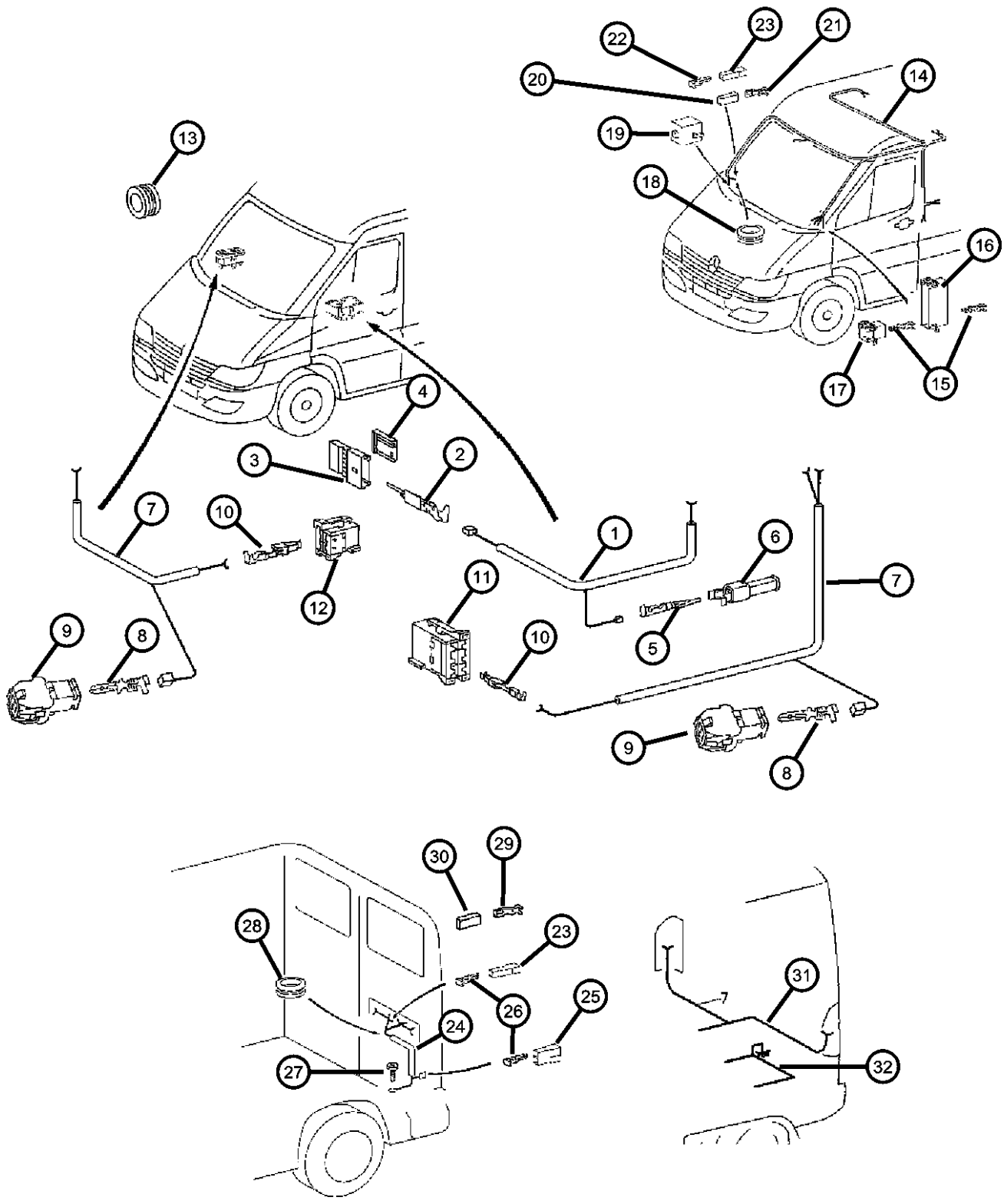
BODY
 01 = CHASSIS FORWARD CONTROL W.B.1
 02 = CAB CHASSIS WHEEL BASE 2
 06 = CAB CHASSIS WHEEL BASE 6
 11 = VAN WHEEL BASE 1
 12 = VAN WHEEL BASE 2
 51 = WAGON WHEEL BASE 1
 52 = WAGON WHEEL BASE 2
 14 = VAN WHEEL BASE 4
 15 = VAN WHEEL BASE 5
 54 = WAGON WHEEL BASE 4
 55 = WAGON WHEEL BASE 5
 56 = WAGON WHEEL BASE 6
 16 = VAN WHEEL BASE 6

ENGINE
 EX8 = 2.7L I5 Turbo Diesel Engine
 EX9 = 2.7L I5 Mercedes-Benz TD Engine

TRANSMISSION
 DGJ = 5-Speed Automatic MB Transmission
 DGZ = 4-Spd. Automatic MT643 Transmission

AR = use ase required - = Non illustrated part

Wiring - Body & Accessories
Figure 8-1505



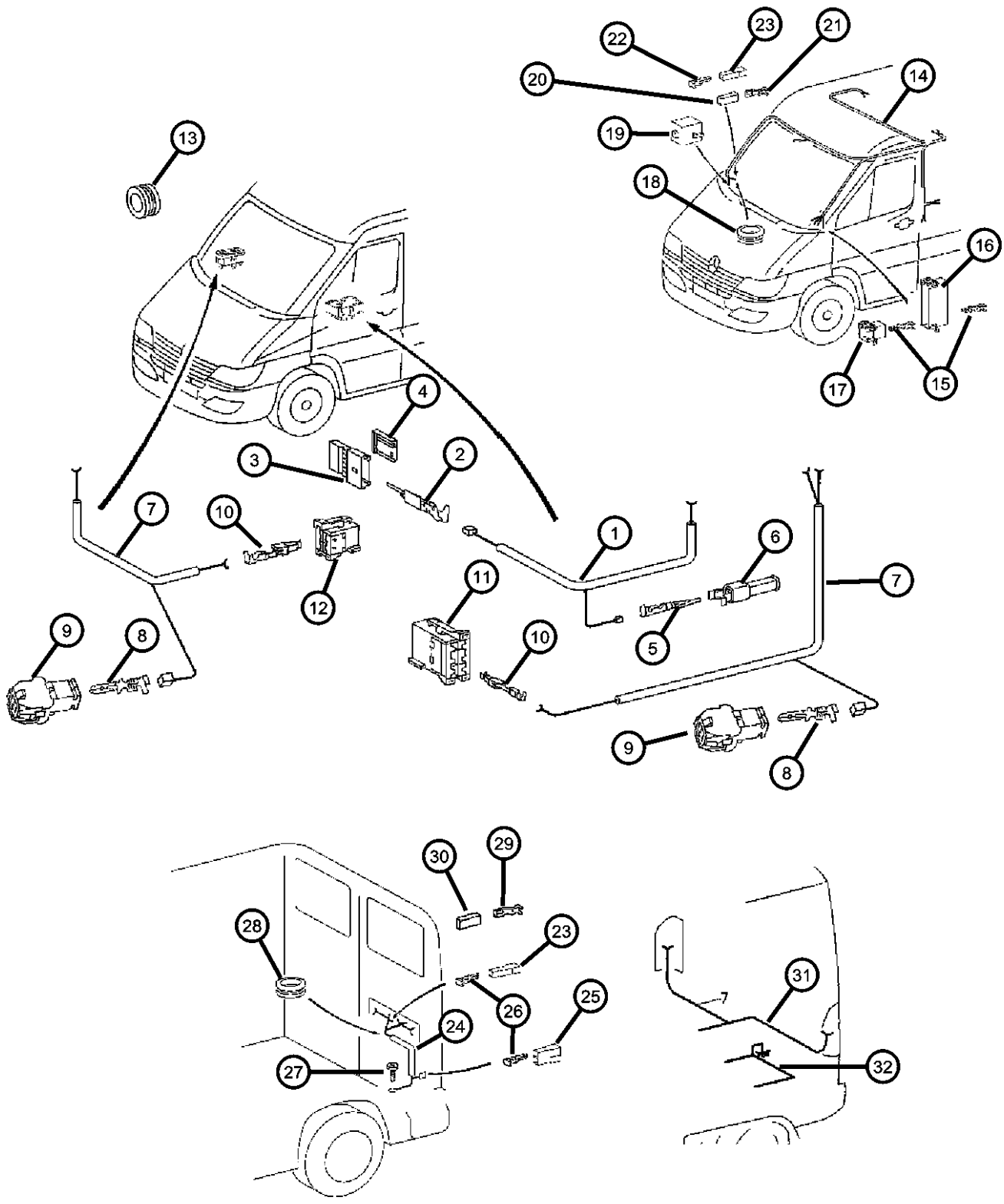
ITEM	PART NUMBER	QTY	LINE	SERIES	BODY	ENGINE	TRANS	TRIM	DESCRIPTION
12	05120785AA	1	2, 6	L	11, 12, 14, 15, 16	EX8	DGZ		CONNECTOR
		1	2, 6	L	51, 52, 54, 55, 56	EX8	DGZ		
		1	3, 7	L	02, 06	EX8	DGZ		
		1	3, 7	L	12, 15, 16	EX8	DGZ		
		1	2, 6	L	01, 02, 06	EX8	DGZ		
		1	2, 6	L	11, 12, 14, 15, 16	EX8	DGZ		
13	05125942AA	2	2, 6	L	01, 02, 06	EX8	DGZ		GROMMET
		2	2, 6	L	11, 12, 14, 15, 16	EX8	DGZ		
		2	2, 6	L	51, 52, 54, 55, 56	EX8	DGZ		
		2	3, 7	L	02, 06	EX8	DGZ		
		2	3, 7	L	12, 15, 16	EX8	DGZ		
		2	2, 6	L	01, 02, 06	EX8	DGZ		
14	05114931AA	1	2, 6	L	01, 02, 06	EX8	DGZ		WIRING, Body
		1	2, 6	L	11, 12, 14, 15, 16	EX8	DGZ		
		1	2, 6	L	51, 52, 54, 55, 56	EX8	DGZ		
		1	3, 7	L	02, 06	EX8	DGZ		
		1	3, 7	L	12, 15, 16	EX8	DGZ		
		1	2, 6	L	01, 02, 06	EX8	DGZ		
15	05133377AA	1	2, 6	L	01, 02, 06	EX8	DGZ		TERMINAL, Male
		1	2, 6	L	01, 02, 06	EX8	DGZ		

SPRINTER (VA)
SERIES
 L = LOWLINE

LINE	BODY	ENGINE	TRANSMISSION
3 = HD DODGE 2WD	01 = CHASSIS FORWARD CONTROL W.B.1	EX8 = 2.7L I5 Turbo Diesel Engine	DGJ = 5-Speed Automatic MB Transmission
8 = HD DODGE 4WD	02 = CAB CHASSIS WHEEL BASE 2	EX9 = 2.7L I5 Mercedes-Benz TD Engine	DGZ = 4-Spd. Automatic MT643 Transmission
6 = Lt. Duty DODGE 4WD	06 = CAB CHASSIS WHEEL BASE 6		
2 = Med. Duty DODGE 2WD	11 = VAN WHEEL BASE 1		
7 = Med. Duty DODGE 4WD	12 = VAN WHEEL BASE 2		
4 = TRUCK	51 = WAGON WHEEL BASE 1		
	52 = WAGON WHEEL BASE 2		
	14 = VAN WHEEL BASE 4		
	15 = VAN WHEEL BASE 5		
	54 = WAGON WHEEL BASE 4		
	55 = WAGON WHEEL BASE 5		
	56 = WAGON WHEEL BASE 6		
	16 = VAN WHEEL BASE 6		

AR = use ase required - = Non illustrated part

Wiring - Body & Accessories
Figure 8-1505



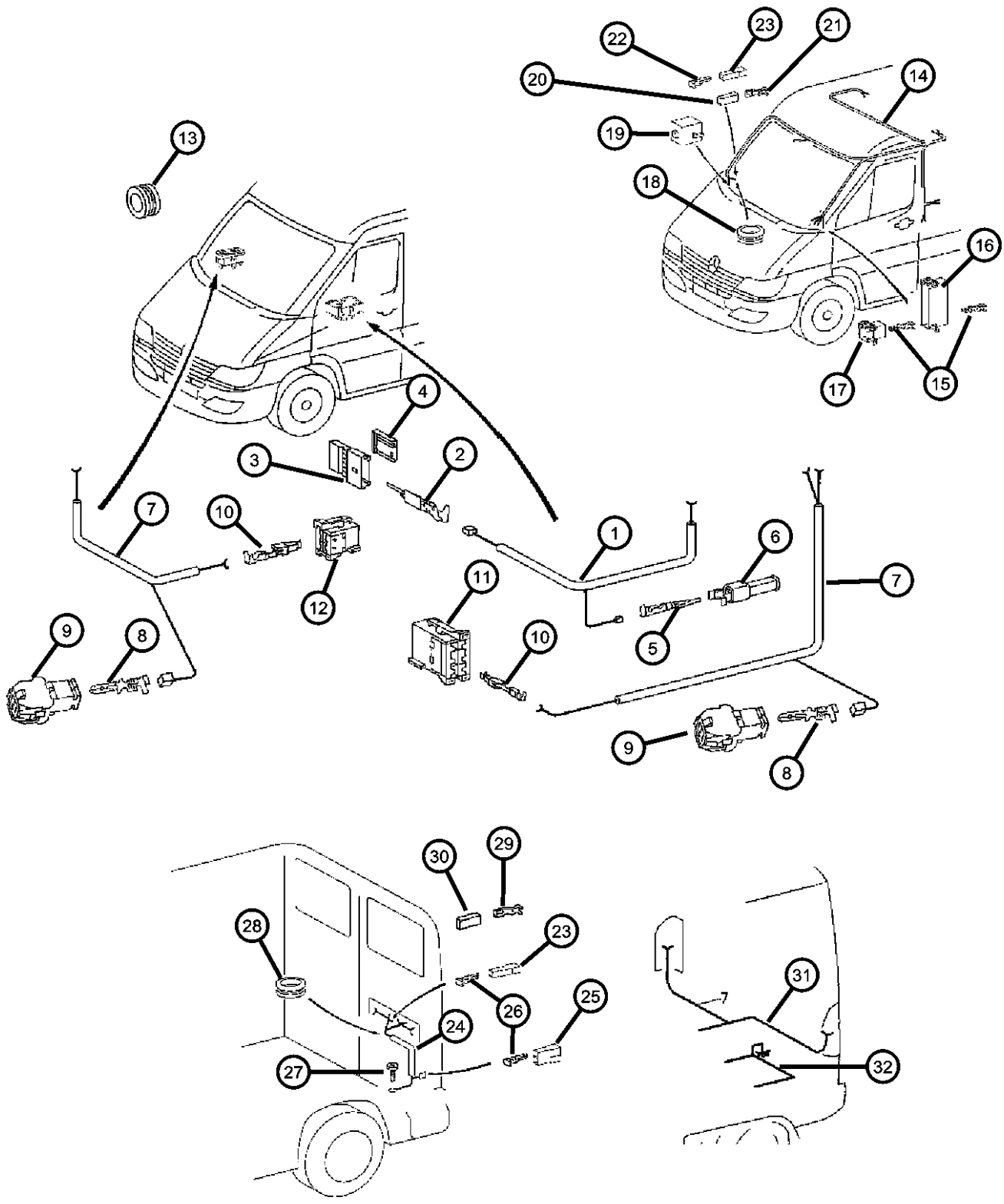
ITEM	PART NUMBER	QTY	LINE	SERIES	BODY	ENGINE	TRANS	TRIM	DESCRIPTION
16	05120794AA	1	2, 6	L	11, 12, 14, 15, 16	EX8	DGZ		CONNECTOR
		1	3, 7	L	02, 06	EX8	DGZ		
		1	3, 7	L	12, 15, 16	EX8	DGZ		
		1	2, 6	L	51, 52, 54, 55, 56	EX8	DGZ		
17	05120791AA	1	2, 6	L	01, 02, 06	EX8	DGZ		CONNECTOR
		1	2, 6	L	11, 12, 14, 15, 16	EX8	DGZ		
		1	3, 7	L	12, 15, 16	EX8	DGZ		
		1	3, 7	L	12, 15, 16	EX8	DGZ		
18	05133408AA	1	2, 6	L	01, 02, 06	EX8	DGZ		GROMMET, Chassis Wiring
		1	2, 6	L	11, 12, 14, 15, 16	EX8	DGZ		
		1	2, 6	L	51, 52, 54, 55, 56	EX8	DGZ		
		1	3, 7	L	02, 06	EX8	DGZ		
19	05133401AA	1	2, 6	L	01, 02, 06	EX8	DGZ		INSULATOR, 2 Way
		1	2, 6	L	11, 12, 14, 15, 16	EX8	DGZ		
		1	2, 6	L	51, 52, 54, 55, 56	EX8	DGZ		
		1	3, 7	L	02, 06	EX8	DGZ		

SPRINTER (VA)
SERIES
 L = LOWLINE

LINE	BODY	ENGINE	TRANSMISSION
3 = HD DODGE 2WD	01 = CHASSIS FORWARD CONTROL W.B.1	EX8 = 2.7L I5 Turbo Diesel Engine	DGJ = 5-Speed Automatic MB Transmission
8 = HD DODGE 4WD	02 = CAB CHASSIS WHEEL BASE 2	EX9 = 2.7L I5 Mercedes-Benz TD Engine	DGZ = 4-Spd. Automatic MT643 Transmission
6 = Lt. Duty DODGE 4WD	06 = CAB CHASSIS WHEEL BASE 6		
2 = Med. Duty DODGE 2WD	11 = VAN WHEEL BASE 1		
7 = Med. Duty DODGE 4WD	12 = VAN WHEEL BASE 2		
4 = TRUCK	51 = WAGON WHEEL BASE 1		
	52 = WAGON WHEEL BASE 2		
	14 = VAN WHEEL BASE 4		
	15 = VAN WHEEL BASE 5		
	54 = WAGON WHEEL BASE 4		
	55 = WAGON WHEEL BASE 5		
	56 = WAGON WHEEL BASE 6		
	16 = VAN WHEEL BASE 6		

AR = use ase required - = Non illustrated part

Wiring - Body & Accessories
Figure 8-1505



ITEM	PART NUMBER	QTY	LINE	SERIES	BODY	ENGINE	TRANS	TRIM	DESCRIPTION
20	05120684AA	1	2, 6	L	11, 12, 14, 15, 16	EX8	DGZ		CONNECTOR
		1	2, 6	L	51, 52, 54, 55, 56	EX8	DGZ		
		1	3, 7	L	02, 06	EX8	DGZ		
		1	3, 7	L	12, 15, 16	EX8	DGZ		
		1	2, 6	L	01, 02, 06	EX8	DGZ		
		1	3, 7	L	12, 15, 16	EX8	DGZ		
21	05103871AA	1	2, 6	L	01, 02, 06	EX8	DGZ		TERMINAL, Female
		1	2, 6	L	11, 12, 14, 15, 16	EX8	DGZ		
		1	2, 6	L	51, 52, 54, 55, 56	EX8	DGZ		
		99	3, 7	L	12, 15, 16	EX8	DGZ		
22	05133358AA	1	3, 7	L	02, 06	EX8	DGZ		TERMINAL, Male
		1	2, 6	L	51, 52, 54, 55, 56	EX8	DGZ		
		1	3, 7	L	02, 06	EX8	DGZ		
		1	3, 7	L	12, 15, 16	EX8	DGZ		
		1	2, 6	L	01, 02, 06	EX8	DGZ		
		1	2, 6	L	11, 12, 14, 15, 16	EX8	DGZ		
23								INSULATOR	

SPRINTER (VA)
SERIES
 L = LOWLINE

LINE
 3 = HD DODGE 2WD
 8 = HD DODGE 4WD
 6 = Lt. Duty DODGE 4WD
 2 = Med. Duty DODGE 2WD
 7 = Med. Duty DODGE 4WD
 4 = TRUCK

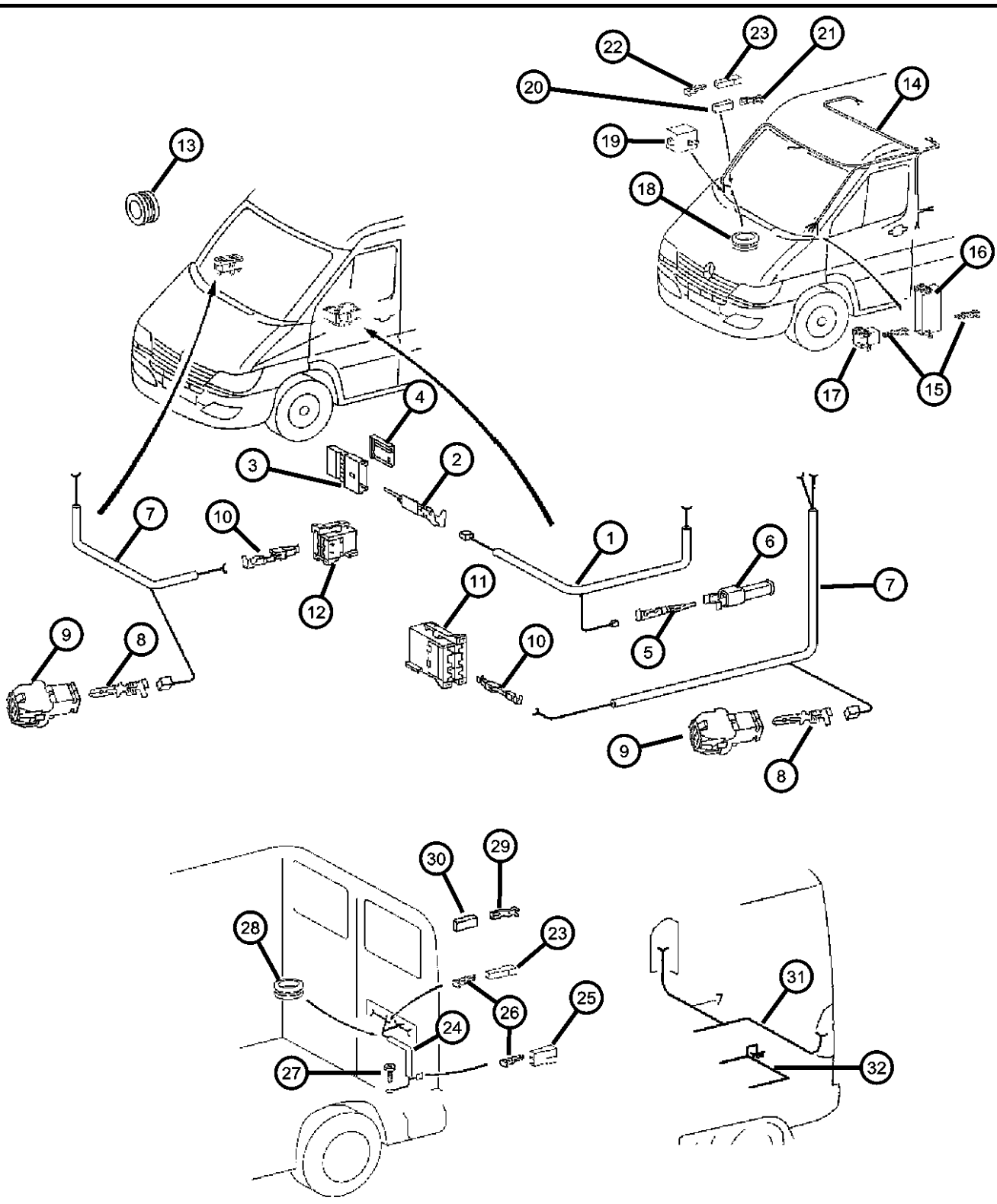
BODY
 01 = CHASSIS FORWARD CONTROL W.B.1
 02 = CAB CHASSIS WHEEL BASE 2
 06 = CAB CHASSIS WHEEL BASE 6
 11 = VAN WHEEL BASE 1
 12 = VAN WHEEL BASE 2
 51 = WAGON WHEEL BASE 1
 52 = WAGON WHEEL BASE 2
 14 = VAN WHEEL BASE 4
 15 = VAN WHEEL BASE 5
 54 = WAGON WHEEL BASE 4
 55 = WAGON WHEEL BASE 5
 56 = WAGON WHEEL BASE 6
 16 = VAN WHEEL BASE 6

ENGINE
 EX8 = 2.7L I5 Turbo Diesel Engine
 EX9 = 2.7L I5 Mercedes-Benz TD Engine

TRANSMISSION
 DGJ = 5-Speed Automatic MB Transmission
 DGZ = 4-Spd. Automatic MT643 Transmission

AR = use ase required - = Non illustrated part

Wiring - Body & Accessories
Figure 8-1505



ITEM	PART NUMBER	QTY	LINE	SERIES	BODY	ENGINE	TRANS	TRIM	DESCRIPTION
	05120685AA	2	2, 6	L	11, 12, 14, 15, 16	EX8	DGZ		
		2	2, 6	L	51, 52, 54, 55, 56	EX8	DGZ		
		1	2, 6	L	01, 02, 06	EX8	DGZ		
		2	3, 7	L	12, 15, 16	EX8	DGZ		
		1	3, 7	L	02, 06	EX8	DGZ		
24	05129584AA	1	2, 6	L	11, 12, 14, 15, 16	EX8	DGZ		WIRING, Rear Door
		1	2, 6	L	51, 52, 54, 55, 56	EX8	DGZ		
		1	3, 7	L	12, 15, 16	EX8	DGZ		
25	05103751AA	1	2, 6	L	11, 12, 14, 15, 16	EX8	DGZ		CONNECTOR
		1	2, 6	L	51, 52, 54, 55, 56	EX8	DGZ		
		1	3, 7	L	12, 15, 16	EX8	DGZ		
26	05103798AA	1	2, 6	L	01, 02, 06	EX8	DGZ		TERMINAL, Male
		99	3, 7	L	12, 15, 16	EX8	DGZ		
		1	3, 7	L	02, 06	EX8	DGZ		
		99	2, 6	L	11, 12, 14, 15, 16	EX8	DGZ		
		99	2, 6	L	51, 52, 54, 55, 56	EX8	DGZ		
27	06104574AA	2	2, 6	L	01, 02, 06	EX8	DGZ		SCREW, Tapping
		2	2, 6	L	11, 12, 14, 15, 16	EX8	DGZ		
		2	3, 7	L	02, 06	EX8	DGZ		

SPRINTER (VA)
SERIES

L = LOWLINE
3 = HD DODGE 2WD
8 = HD DODGE 4WD
6 = Lt. Duty DODGE 4WD
2 = Med. Duty DODGE 2WD
7 = Med. Duty DODGE 4WD
4 = TRUCK

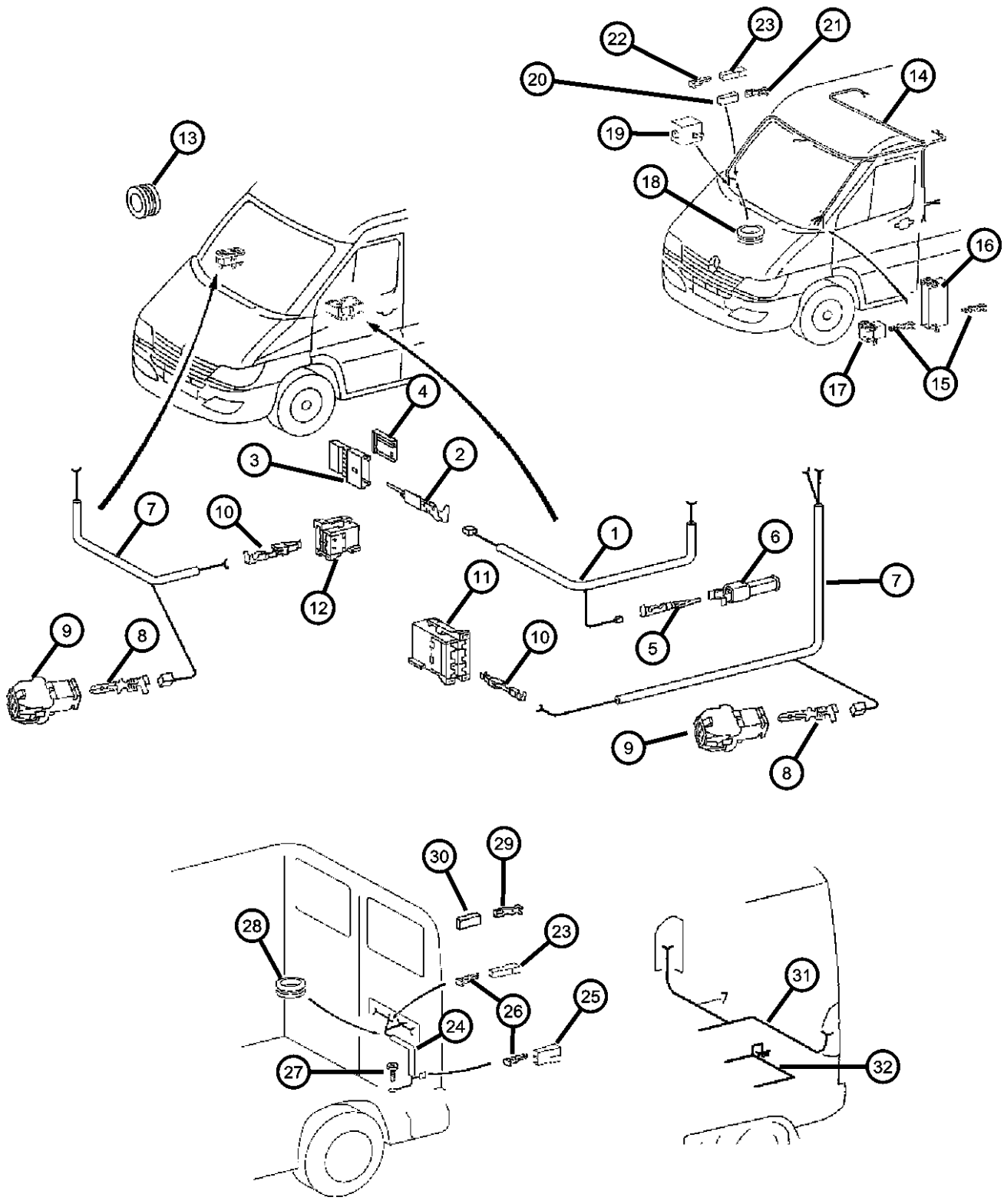
BODY
01 = CHASSIS FORWARD CONTROL W.B.1
02 = CAB CHASSIS WHEEL BASE 2
06 = CAB CHASSIS WHEEL BASE 6
11 = VAN WHEEL BASE 1
12 = VAN WHEEL BASE 2
51 = WAGON WHEEL BASE 1
52 = WAGON WHEEL BASE 2
14 = VAN WHEEL BASE 4
15 = VAN WHEEL BASE 5
54 = WAGON WHEEL BASE 4
55 = WAGON WHEEL BASE 5
56 = WAGON WHEEL BASE 6
16 = VAN WHEEL BASE 6

ENGINE
EX8 = 2.7L I5 Turbo Diesel Engine
EX9 = 2.7L I5 Mercedes-Benz TD Engine

TRANSMISSION
DGJ = 5-Speed Automatic MB Transmission
DGZ = 4-Spd. Automatic MT643 Transmission

AR = use ase required - = Non illustrated part

Wiring - Body & Accessories
Figure 8-1505



ITEM	PART NUMBER	QTY	LINE	SERIES	BODY	ENGINE	TRANS	TRIM	DESCRIPTION
28	05133935AA	2	2, 6	L	51, 52, 54, 55, 56	EX8	DGZ		GROMMET, Door Wiring
		2	3, 7	L	12, 15, 16	EX8	DGZ		
		1	2, 6	L	01, 02, 06	EX8	DGZ		
		1	2, 6	L	11, 12, 14, 15, 16	EX8	DGZ		
		1	2, 6	L	51, 52, 54, 55, 56	EX8	DGZ		
29	05120684AA	2	3, 7	L	12, 15, 16	EX8	DGZ		CONNECTOR
		1	3, 7	L	02, 06	EX8	DGZ		
		1	2, 6	L	11, 12, 14, 15, 16	EX8	DGZ		
		1	2, 6	L	51, 52, 54, 55, 56	EX8	DGZ		
		1	2, 6	L	01, 02, 06	EX8	DGZ		
30	05114451AA	1	3, 7	L	12, 15, 16	EX8	DGZ		TERMINAL, Female
		1	3, 7	L	02, 06	EX8	DGZ		
		99	2, 6	L	11, 12, 14, 15, 16	EX8	DGZ		
		99	2, 6	L	51, 52, 54, 55, 56	EX8	DGZ		
		99	2, 6	L	01, 02, 06	EX8	DGZ		
31	05133399AA	99	3, 7	L	02, 06	EX8	DGZ		WIRING, Rear Body
		99	3, 7	L	12, 15, 16	EX8	DGZ		
		1	2, 6	L	11, 12, 14, 15, 16	EX8	DGZ		
		1	2, 6	L	51, 52, 54, 55, 56	EX8	DGZ		

SPRINTER (VA)
SERIES
 L = LOWLINE

LINE
 3 = HD DODGE 2WD
 8 = HD DODGE 4WD
 6 = Lt. Duty DODGE 4WD
 2 = Med. Duty DODGE 2WD
 7 = Med. Duty DODGE 4WD
 4 = TRUCK

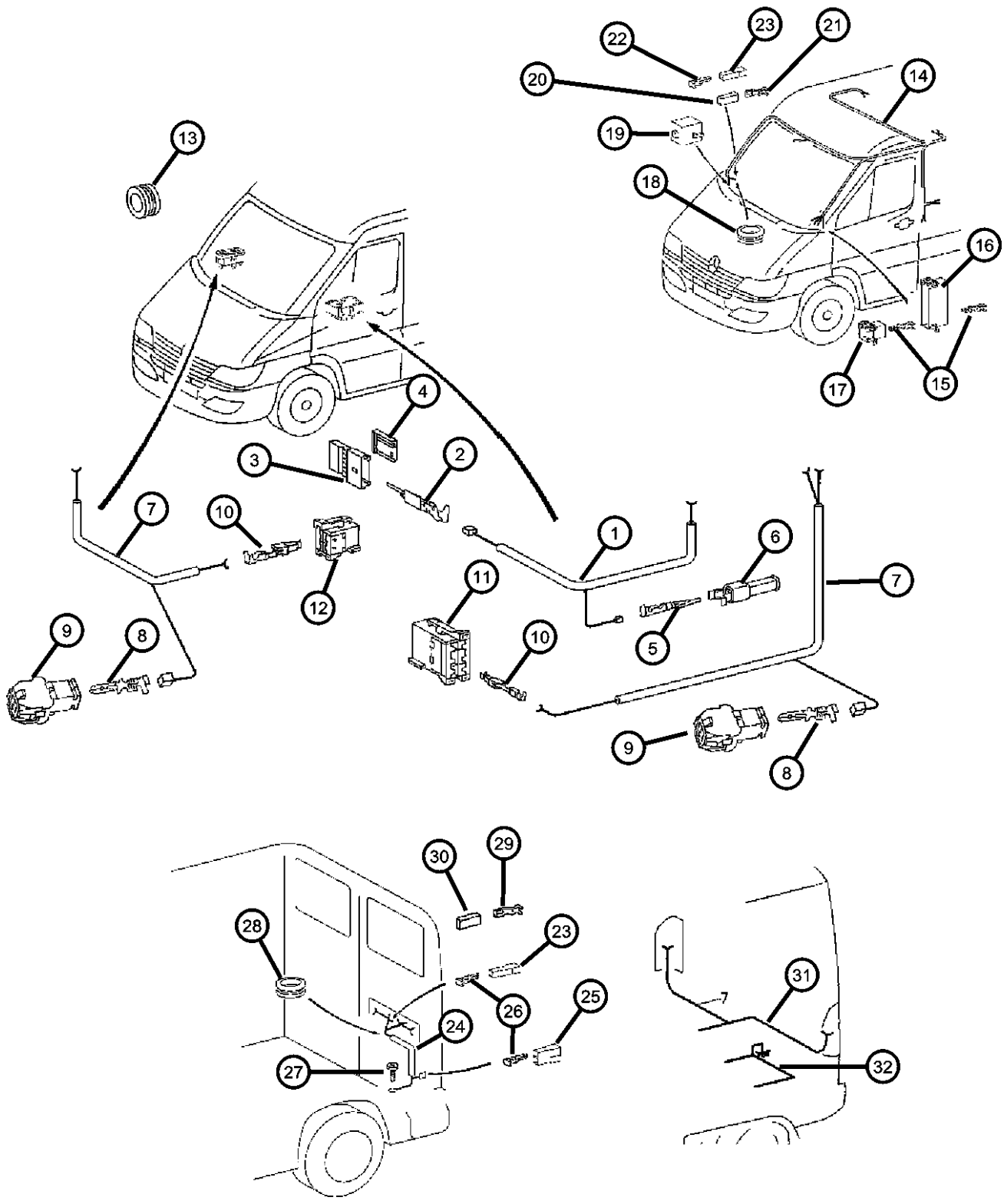
BODY
 01 = CHASSIS FORWARD CONTROL W.B.1
 02 = CAB CHASSIS WHEEL BASE 2
 06 = CAB CHASSIS WHEEL BASE 6
 11 = VAN WHEEL BASE 1
 12 = VAN WHEEL BASE 2
 51 = WAGON WHEEL BASE 1
 52 = WAGON WHEEL BASE 2
 14 = VAN WHEEL BASE 4
 15 = VAN WHEEL BASE 5
 54 = WAGON WHEEL BASE 4
 55 = WAGON WHEEL BASE 5
 56 = WAGON WHEEL BASE 6
 16 = VAN WHEEL BASE 6

ENGINE
 EX8 = 2.7L I5 Turbo Diesel Engine
 EX9 = 2.7L I5 Mercedes-Benz TD Engine

TRANSMISSION
 DGJ = 5-Speed Automatic MB Transmission
 DGZ = 4-Spd. Automatic MT643 Transmission

AR = use ase required - = Non illustrated part

Wiring - Body & Accessories
Figure 8-1505



ITEM	PART NUMBER	QTY	LINE	SERIES	BODY	ENGINE	TRANS	TRIM	DESCRIPTION
32		1	3, 7	L	12, 15, 16	EX8	DGZ		WIRING, Trailer Tow
	05133400AA	1	2, 6	L	01, 02, 06	EX8	DGZ		
		1	2, 6	L	11, 12, 14, 15, 16	EX8	DGZ		
		1	2, 6	L	51, 52, 54, 55, 56	EX8	DGZ		
		1	3, 7	L	02, 06	EX8	DGZ		
		1	3, 7	L	12, 15, 16	EX8	DGZ		

SPRINTER (VA)

SERIES

L = LOWLINE

LINE

3 = HD DODGE 2WD
8 = HD DODGE 4WD
6 = Lt. Duty DODGE 4WD
2 = Med. Duty DODGE 2WD
7 = Med. Duty DODGE 4WD
4 = TRUCK

BODY

01 = CHASSIS FORWARD CONTROL W.B.1
02 = CAB CHASSIS WHEEL BASE 2
06 = CAB CHASSIS WHEEL BASE 6
11 = VAN WHEEL BASE 1
12 = VAN WHEEL BASE 2
51 = WAGON WHEEL BASE 1
52 = WAGON WHEEL BASE 2
14 = VAN WHEEL BASE 4
15 = VAN WHEEL BASE 5
54 = WAGON WHEEL BASE 4
55 = WAGON WHEEL BASE 5
56 = WAGON WHEEL BASE 6
16 = VAN WHEEL BASE 6

ENGINE

EX8 = 2.7L I5 Turbo Diesel Engine
EX9 = 2.7L I5 Mercedes-Benz TD Engine

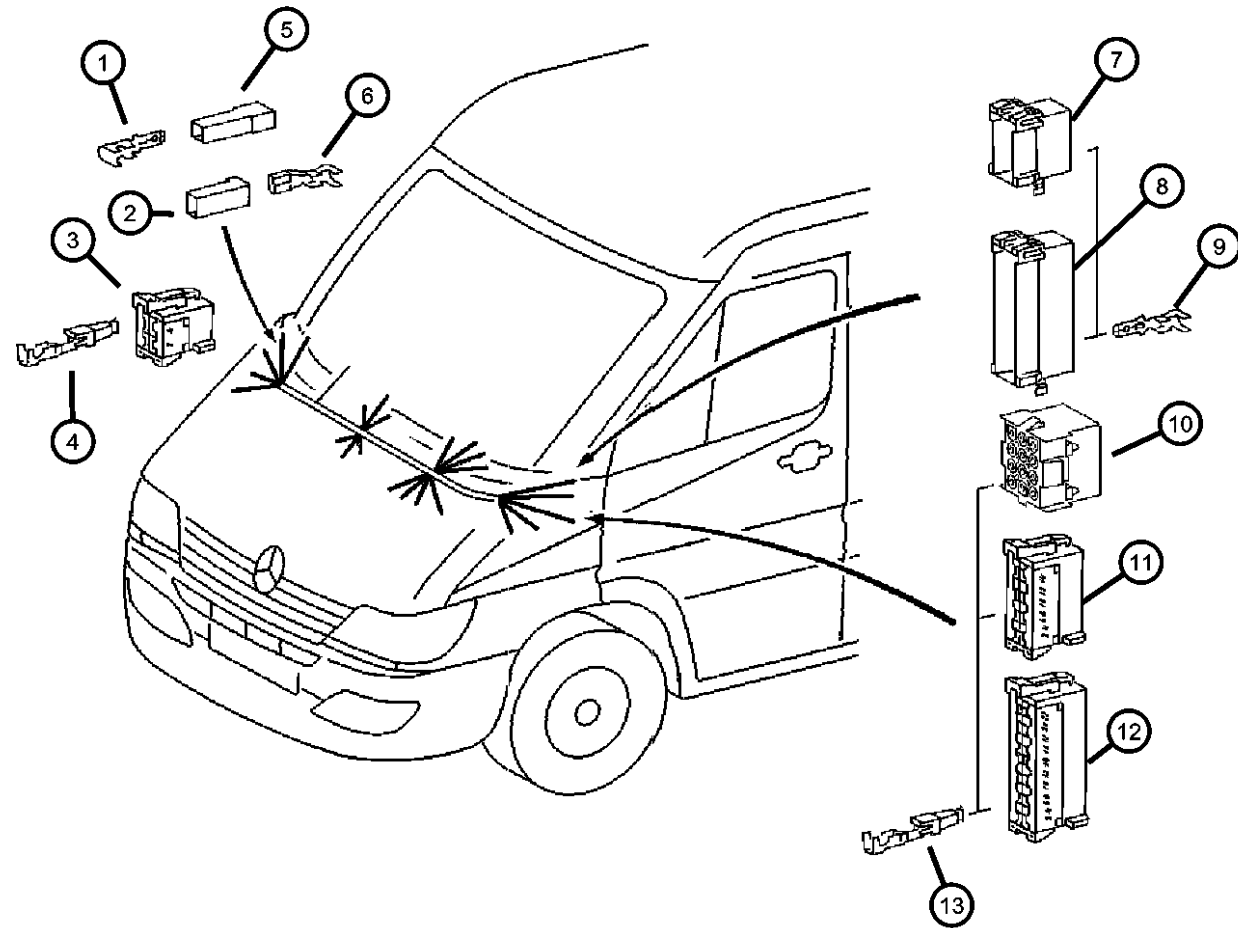
TRANSMISSION

DGJ = 5-Speed Automatic MB Transmission
DGZ = 4-Spd. Automatic MT643 Transmission

AR = use ase required - = Non illustrated part

2006 VA

**Connectors Engine Compartment
Figure 8-1605**



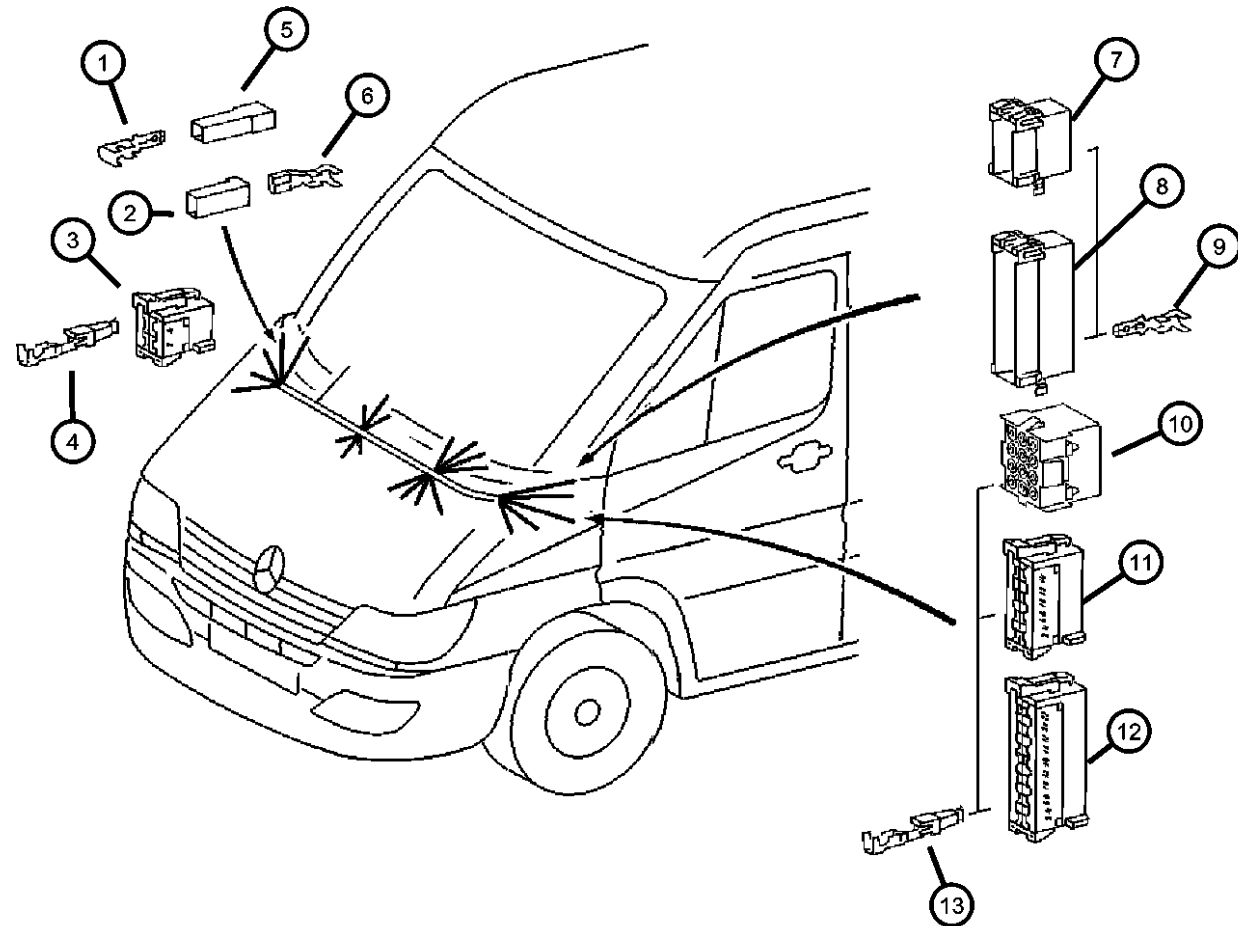
ITEM	PART NUMBER	QTY	LINE	SERIES	BODY	ENGINE	TRANS	TRIM	DESCRIPTION
1	05133391AA	99	2, 6	L	01, 02, 06	EX8	DGZ		TERMINAL, Male
		99	2, 6	L	11, 12, 14, 15, 16	EX8	DGZ		
		99	2, 6	L	51, 52, 54, 55, 56	EX8	DGZ		
		99	3, 7	L	02, 06	EX8	DGZ		
		99	3, 7	L	12, 15, 16	EX8	DGZ		
2	05120684AA	1	2, 6	L	11, 12, 14, 15, 16	EX8	DGZ		CONNECTOR
		1	2, 6	L	51, 52, 54, 55, 56	EX8	DGZ		
		1	2, 6	L	01, 02, 06	EX8	DGZ		
		1	3, 7	L	02, 06	EX8	DGZ		
		1	3, 7	L	12, 15, 16	EX8	DGZ		
3	05103882AA	1	2, 6	L	01, 02, 06	EX8	DGZ		TERMINAL
		1	2, 6	L	11, 12, 14, 15, 16	EX8	DGZ		
		1	2, 6	L	51, 52, 54, 55, 56	EX8	DGZ		
		1	3, 7	L	02, 06	EX8	DGZ		
		1	3, 7	L	12, 15, 16	EX8	DGZ		
4	05120785AA	1	2, 6	L	01, 02, 06	EX8	DGZ		CONNECTOR
		1	2, 6	L	11, 12, 14, 15, 16	EX8	DGZ		
		1	2, 6	L	51, 52, 54, 55, 56	EX8	DGZ		
		1	3, 7	L	02, 06	EX8	DGZ		
		1	3, 7	L	12, 15, 16	EX8	DGZ		

SPRINTER (VA)

SERIES	LINE	BODY	ENGINE	TRANSMISSION
L = LOWLINE	3 = HD DODGE 2WD 8 = HD DODGE 4WD 6 = Lt. Duty DODGE 4WD 2 = Med. Duty DODGE 2WD 7 = Med. Duty DODGE 4WD 4 = TRUCK	01 = CHASSIS FORWARD CONTROL W.B.1 02 = CAB CHASSIS WHEEL BASE 2 06 = CAB CHASSIS WHEEL BASE 6 11 = VAN WHEEL BASE 1 12 = VAN WHEEL BASE 2 51 = WAGON WHEEL BASE 1 52 = WAGON WHEEL BASE 2 14 = VAN WHEEL BASE 4 15 = VAN WHEEL BASE 5 54 = WAGON WHEEL BASE 4 55 = WAGON WHEEL BASE 5 56 = WAGON WHEEL BASE 6 16 = VAN WHEEL BASE 6	EX8 = 2.7L I5 Turbo Diesel Engine EX9 = 2.7L I5 Mercedes-Benz TD Engine	DGJ = 5-Speed Automatic MB Transmission DGZ = 4-Spd. Automatic MT643 Transmission

AR = use ase required - = Non illustrated part

**Connectors Engine Compartment
Figure 8-1605**



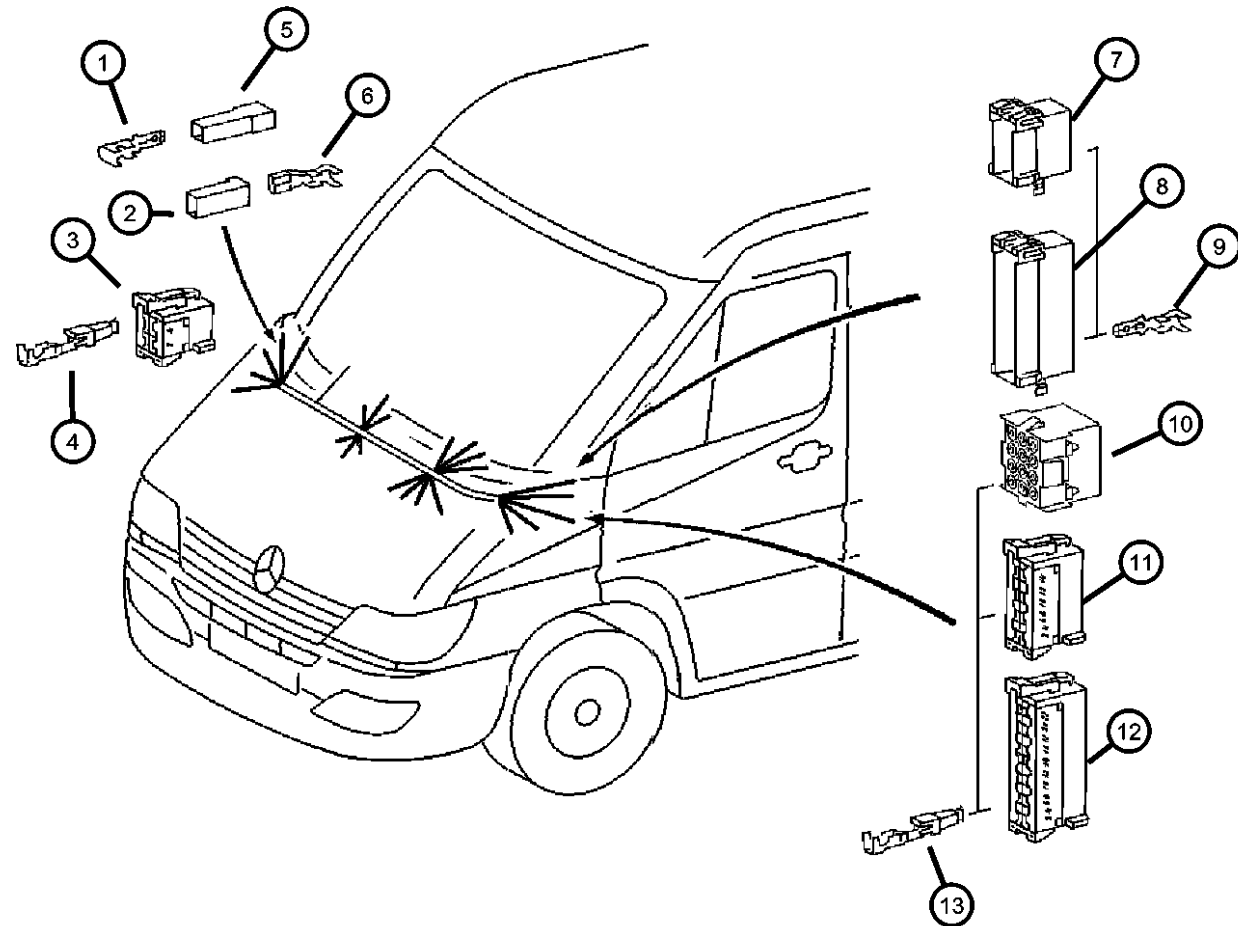
ITEM	PART NUMBER	QTY	LINE	SERIES	BODY	ENGINE	TRANS	TRIM	DESCRIPTION
5	05120685AA	2	2, 6	L	51, 52, 54, 55, 56	EX8	DGZ		INSULATOR
		2	2, 6	L	11, 12, 14, 15, 16	EX8	DGZ		
		1	3, 7	L	02, 06	EX8	DGZ		
		1	3, 7	L	12, 15, 16	EX8	DGZ		
		1	2, 6	L	01, 02, 06	EX8	DGZ		
6	05103871AA	1	2, 6	L	01, 02, 06	EX8	DGZ		TERMINAL, Female
		1	2, 6	L	11, 12, 14, 15, 16	EX8	DGZ		
		1	2, 6	L	51, 52, 54, 55, 56	EX8	DGZ		
		99	3, 7	L	12, 15, 16	EX8	DGZ		
		1	3, 7	L	02, 06	EX8	DGZ		
7	05133393AA	1	2, 6	L	01, 02, 06	EX8	DGZ		INSULATOR
		1	2, 6	L	11, 12, 14, 15, 16	EX8	DGZ		
		1	2, 6	L	51, 52, 54, 55, 56	EX8	DGZ		
		1	3, 7	L	02, 06	EX8	DGZ		
		1	3, 7	L	12, 15, 16	EX8	DGZ		
8	05120793AA	1	2, 6	L	01, 02, 06	EX8	DGZ		CONNECTOR
		1	2, 6	L	11, 12, 14, 15, 16	EX8	DGZ		
		1	2, 6	L	51, 52, 54, 55, 56	EX8	DGZ		
		1	3, 7	L	02, 06	EX8	DGZ		
		1	3, 7	L	12, 15, 16	EX8	DGZ		

SPRINTER (VA)

SERIES	LINE	BODY	ENGINE	TRANSMISSION
L = LOWLINE	3 = HD DODGE 2WD 8 = HD DODGE 4WD 6 = Lt. Duty DODGE 4WD 2 = Med. Duty DODGE 2WD 7 = Med. Duty DODGE 4WD 4 = TRUCK	01 = CHASSIS FORWARD CONTROL W.B.1 02 = CAB CHASSIS WHEEL BASE 2 06 = CAB CHASSIS WHEEL BASE 6 11 = VAN WHEEL BASE 1 12 = VAN WHEEL BASE 2 51 = WAGON WHEEL BASE 1 52 = WAGON WHEEL BASE 2 14 = VAN WHEEL BASE 4 15 = VAN WHEEL BASE 5 54 = WAGON WHEEL BASE 4 55 = WAGON WHEEL BASE 5 56 = WAGON WHEEL BASE 6 16 = VAN WHEEL BASE 6	EX8 = 2.7L I5 Turbo Diesel Engine EX9 = 2.7L I5 Mercedes-Benz TD Engine	DGJ = 5-Speed Automatic MB Transmission DGZ = 4-Spd. Automatic MT643 Transmission

AR = use ase required - = Non illustrated part

**Connectors Engine Compartment
Figure 8-1605**



ITEM	PART NUMBER	QTY	LINE	SERIES	BODY	ENGINE	TRANS	TRIM	DESCRIPTION
9									TERMINAL, Male
	05133371AA	1	2, 6	L	01, 02, 06	EX8	DGZ		
		1	2, 6	L	11, 12, 14, 15, 16	EX8	DGZ		
		1	2, 6	L	51, 52, 54, 55, 56	EX8	DGZ		
		1	3, 7	L	02, 06	EX8	DGZ		
		1	3, 7	L	12, 15, 16	EX8	DGZ		
10									CONNECTOR
	05120675AA	1	2, 6	L	01, 02, 06	EX8	DGZ		
		1	2, 6	L	11, 12, 14, 15, 16	EX8	DGZ		
		1	2, 6	L	51, 52, 54, 55, 56	EX8	DGZ		
		1	3, 7	L	02, 06	EX8	DGZ		
		1	3, 7	L	12, 15, 16	EX8	DGZ		
11									CONNECTOR
	05120787AA	1	2, 6	L	01, 02, 06	EX8	DGZ		
		1	2, 6	L	11, 12, 14, 15, 16	EX8	DGZ		
		1	2, 6	L	51, 52, 54, 55, 56	EX8	DGZ		
		1	3, 7	L	02, 06	EX8	DGZ		
		1	3, 7	L	12, 15, 16	EX8	DGZ		
12									CONNECTOR
	05120789AA	1	2, 6	L	01, 02, 06	EX8	DGZ		
		1	2, 6	L	11, 12, 14, 15, 16	EX8	DGZ		
		1	2, 6	L	51, 52, 54, 55, 56	EX8	DGZ		
		1	3, 7	L	02, 06	EX8	DGZ		
		1	3, 7	L	12, 15, 16	EX8	DGZ		

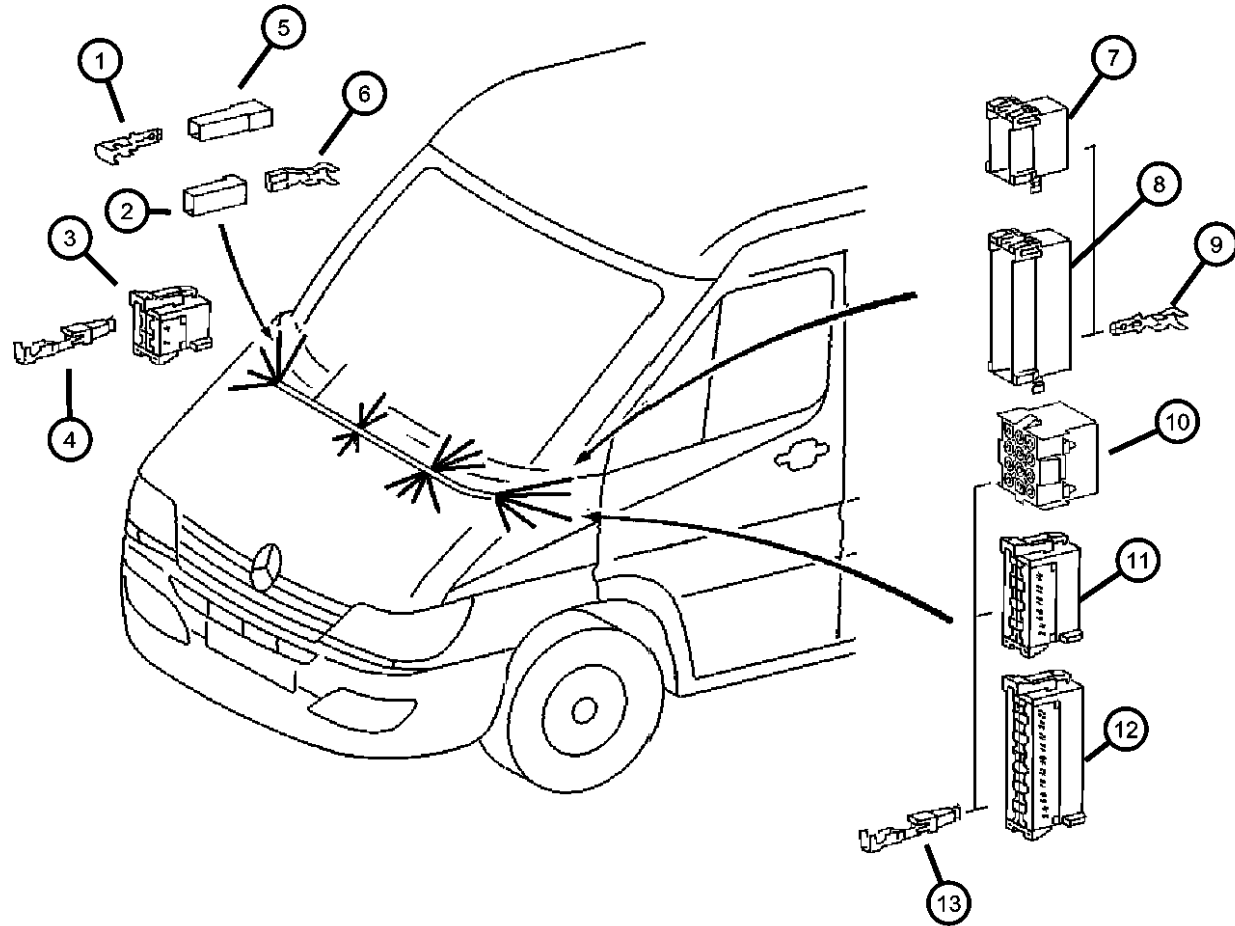
SPRINTER (VA)

SERIES	LINE	BODY	ENGINE	TRANSMISSION
L = LOWLINE	3 = HD DODGE 2WD 8 = HD DODGE 4WD 6 = Lt. Duty DODGE 4WD 2 = Med. Duty DODGE 2WD 7 = Med. Duty DODGE 4WD 4 = TRUCK	01 = CHASSIS FORWARD CONTROL W.B.1 02 = CAB CHASSIS WHEEL BASE 2 06 = CAB CHASSIS WHEEL BASE 6 11 = VAN WHEEL BASE 1 12 = VAN WHEEL BASE 2 51 = WAGON WHEEL BASE 1 52 = WAGON WHEEL BASE 2 14 = VAN WHEEL BASE 4 15 = VAN WHEEL BASE 5 54 = WAGON WHEEL BASE 4 55 = WAGON WHEEL BASE 5 56 = WAGON WHEEL BASE 6 16 = VAN WHEEL BASE 6	EX8 = 2.7L I5 Turbo Diesel Engine EX9 = 2.7L I5 Mercedes-Benz TD Engine	DGJ = 5-Speed Automatic MB Transmission DGZ = 4-Spd. Automatic MT643 Transmission

AR = use ase required - = Non illustrated part

**Connectors Engine Compartment
Figure 8-1605**

ITEM	PART NUMBER	QTY	LINE	SERIES	BODY	ENGINE	TRANS	TRIM	DESCRIPTION
13									TERMINAL
	05103881AA	99	2, 6	L	01, 02, 06	EX8	DGZ		
		99	2, 6	L	11, 12, 14, 15, 16	EX8	DGZ		
		99	2, 6	L	51, 52, 54, 55, 56	EX8	DGZ		
		99	3, 7	L	12, 15, 16	EX8	DGZ		
		99	3, 7	L	02, 06	EX8	DGZ		

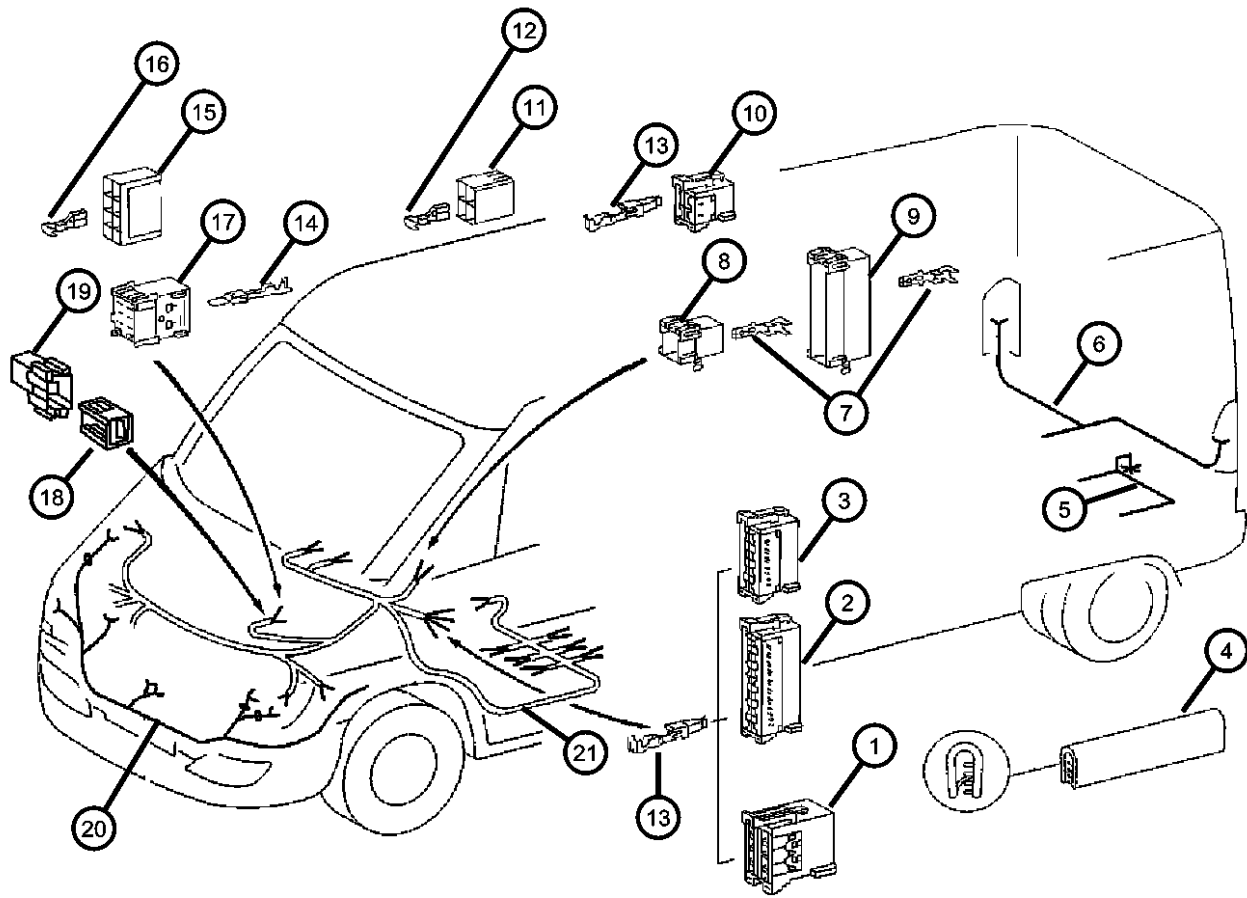


SPRINTER (VA)

SERIES	LINE	BODY	ENGINE	TRANSMISSION
L = LOWLINE	3 = HD DODGE 2WD 8 = HD DODGE 4WD 6 = Lt. Duty DODGE 4WD 2 = Med. Duty DODGE 2WD 7 = Med. Duty DODGE 4WD 4 = TRUCK	01 = CHASSIS FORWARD CONTROL W.B.1 02 = CAB CHASSIS WHEEL BASE 2 06 = CAB CHASSIS WHEEL BASE 6 11 = VAN WHEEL BASE 1 12 = VAN WHEEL BASE 2 51 = WAGON WHEEL BASE 1 52 = WAGON WHEEL BASE 2 14 = VAN WHEEL BASE 4 15 = VAN WHEEL BASE 5 54 = WAGON WHEEL BASE 4 55 = WAGON WHEEL BASE 5 56 = WAGON WHEEL BASE 6 16 = VAN WHEEL BASE 6	EX8 = 2.7L I5 Turbo Diesel Engine EX9 = 2.7L I5 Mercedes-Benz TD Engine	DGJ = 5-Speed Automatic MB Transmission DGZ = 4-Spd. Automatic MT643 Transmission

AR = use ase required - = Non illustrated part

**Connectors Body
Figure 8-1610**



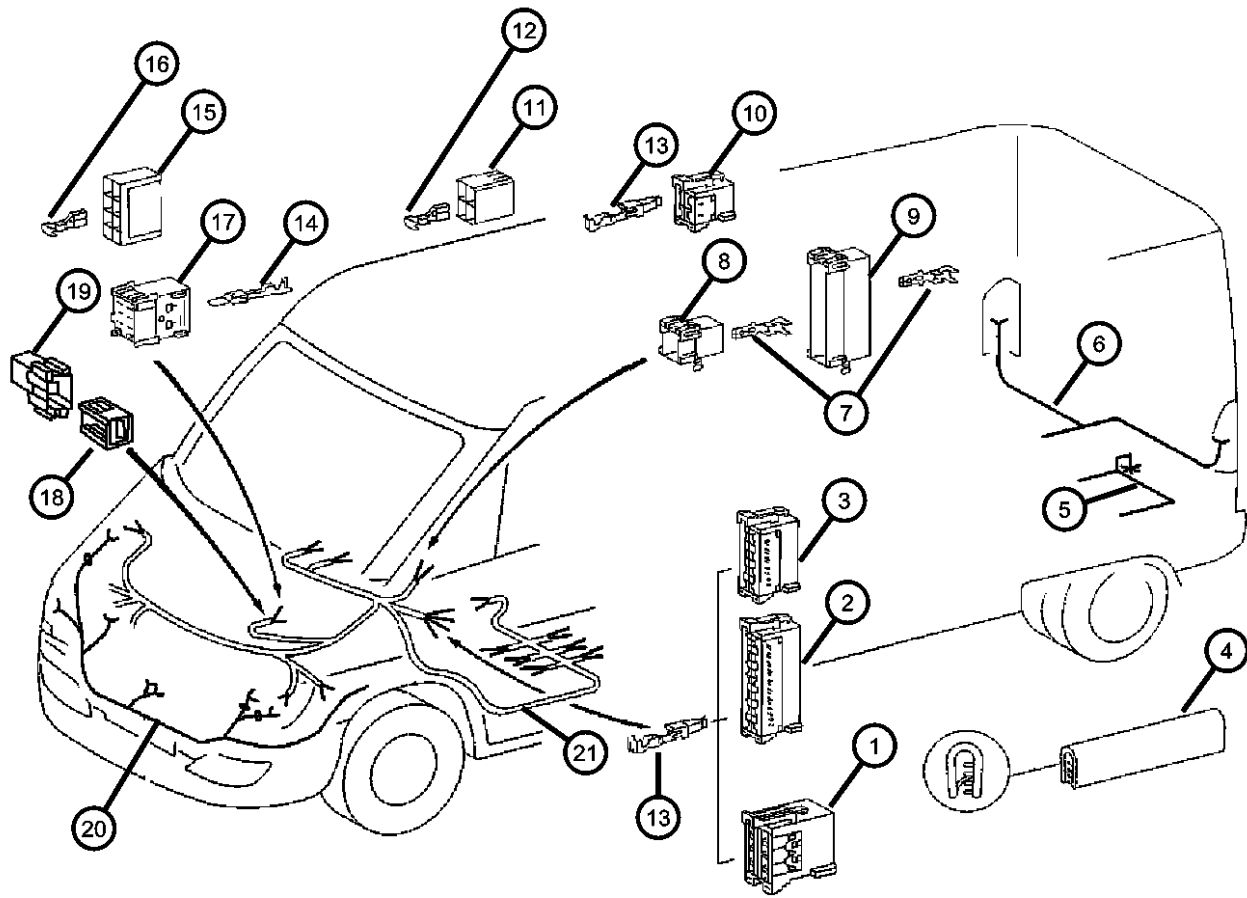
ITEM	PART NUMBER	QTY	LINE	SERIES	BODY	ENGINE	TRANS	TRIM	DESCRIPTION
1	05120796AA	1	2, 6	L	06, 01, 02	EX8	DGZ		CONNECTOR
		1	2, 6	L	11, 12, 14, 15, 16	EX8	DGZ		
		1	2, 6	L	51, 52, 54, 55, 56	EX8	DGZ		
		1	3, 7	L	02, 06	EX8	DGZ		
		1	3, 7	L	12, 15, 16	EX8	DGZ		
2	05120789AA	1	2, 6	L	01, 02, 06	EX8	DGZ		CONNECTOR
		1	2, 6	L	11, 12, 14, 15, 16	EX8	DGZ		
		1	2, 6	L	51, 52, 54, 55, 56	EX8	DGZ		
		1	3, 7	L	02, 06	EX8	DGZ		
		1	3, 7	L	12, 15, 16	EX8	DGZ		
3	05120788AA	1	2, 6	L	11, 12, 14, 15, 16	EX8	DGZ		CONNECTOR
		1	2, 6	L	01, 02, 06	EX8	DGZ		
		1	2, 6	L	51, 52, 54, 55, 56	EX8	DGZ		
		1	3, 7	L	02, 06	EX8	DGZ		
		1	3, 7	L	12, 15, 16	EX8	DGZ		
4	05132391AA	1	2, 6	L	12, 15	EX8	DGZ		PROTECTOR
		2	2, 6	L	11, 14, 16	EX8	DGZ		
		1	2, 6	L	52, 55	EX8	DGZ		
		2	6, 2	L	51, 54, 56	EX8	DGZ		
		5	3, 7	L	12, 15	EX8	DGZ		
		7	3, 7	L	16	EX8	DGZ		

SPRINTER (VA)

SERIES	LINE	BODY	ENGINE	TRANSMISSION
L = LOWLINE	3 = HD DODGE 2WD 8 = HD DODGE 4WD 6 = Lt. Duty DODGE 4WD 2 = Med. Duty DODGE 2WD 7 = Med. Duty DODGE 4WD 4 = TRUCK	01 = CHASSIS FORWARD CONTROL W.B.1 02 = CAB CHASSIS WHEEL BASE 2 06 = CAB CHASSIS WHEEL BASE 6 11 = VAN WHEEL BASE 1 12 = VAN WHEEL BASE 2 51 = WAGON WHEEL BASE 1 52 = WAGON WHEEL BASE 2 14 = VAN WHEEL BASE 4 15 = VAN WHEEL BASE 5 54 = WAGON WHEEL BASE 4 55 = WAGON WHEEL BASE 5 56 = WAGON WHEEL BASE 6 16 = VAN WHEEL BASE 6	EX8 = 2.7L I5 Turbo Diesel Engine EX9 = 2.7L I5 Mercedes-Benz TD Engine	DGJ = 5-Speed Automatic MB Transmission DGZ = 4-Spd. Automatic MT643 Transmission

AR = use ase required - = Non illustrated part

**Connectors Body
Figure 8-1610**



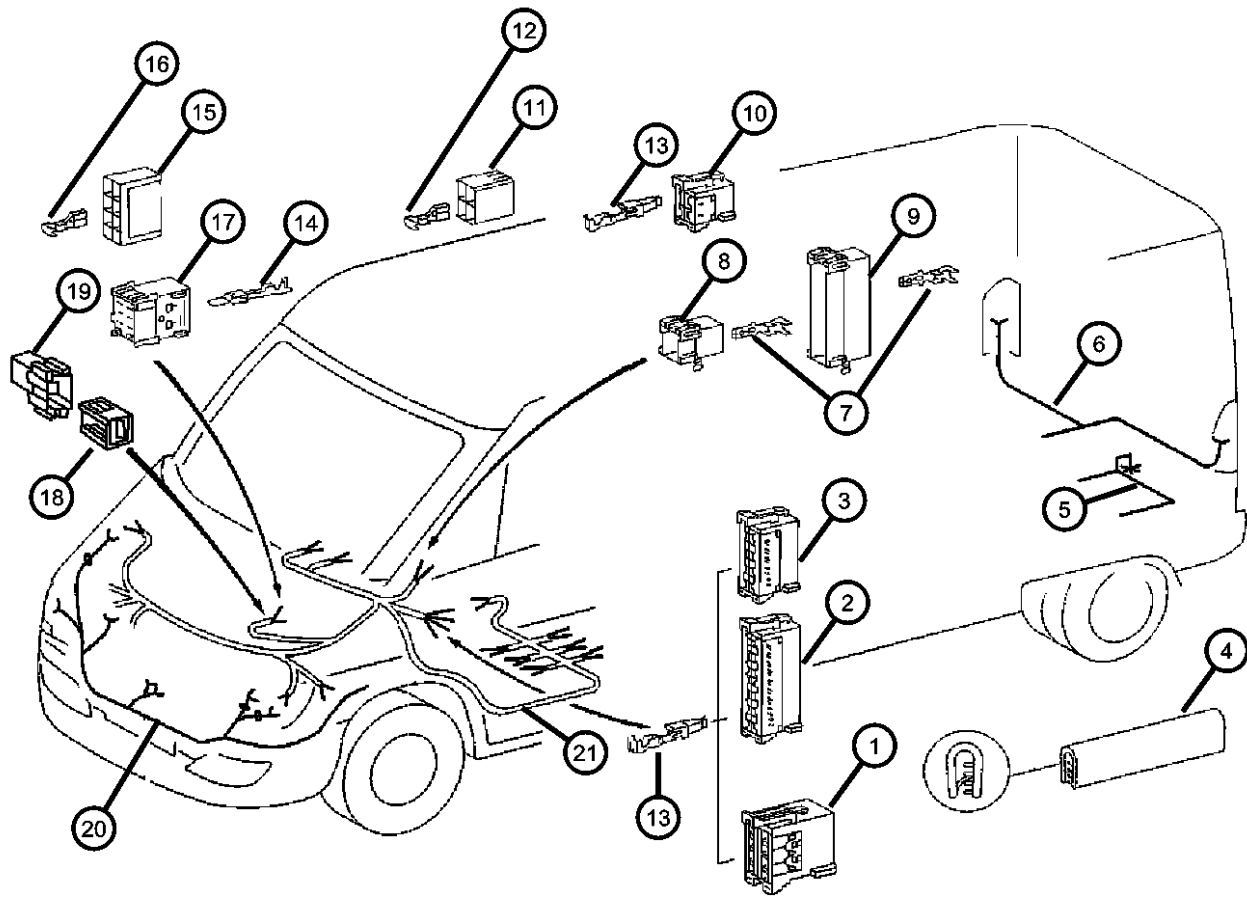
ITEM	PART NUMBER	QTY	LINE	SERIES	BODY	ENGINE	TRANS	TRIM	DESCRIPTION
5									WIRING, Trailer Tow
	05133400AA	1	2, 6	L	01, 02, 06	EX8	DGZ		
		1	2, 6	L	16, 11, 12, 14, 15	EX8	DGZ		
		1	2, 6	L	51, 52, 54, 55, 56	EX8	DGZ		
		1	3, 7	L	02, 06	EX8	DGZ		
		1	3, 7	L	12, 15, 16	EX8	DGZ		
6									WIRING, Rear Body
	05133399AA	1	2, 6	L	11, 12, 14, 15, 16	EX8	DGZ		
		1	2, 6	L	51, 52, 54, 55, 56	EX8	DGZ		
		1	3, 7	L	12, 15, 16	EX8	DGZ		
7									TERMINAL, Male
	05133377AA	1	2, 6	L	01, 02, 06	EX8	DGZ		
		1	2, 6	L	11, 12, 14, 15, 16	EX8	DGZ		
		1	2, 6	L	51, 52, 54, 55, 56	EX8	DGZ		
		1	3, 7	L	02, 06	EX8	DGZ		
		1	3, 7	L	12, 15, 16	EX8	DGZ		
8									CONNECTOR
	05120791AA	1	2, 6	L	01, 02, 06	EX8	DGZ		
		1	2, 6	L	11, 12, 14, 15, 16	EX8	DGZ		
		1	2, 6	L	51, 52, 54, 55, 56	EX8	DGZ		
		1	3, 7	L	06, 02	EX8	DGZ		
		1	3, 7	L	12, 15, 16	EX8	DGZ		
9									CONNECTOR
	05120794AA	1	2, 6	L	01, 02, 06	EX8	DGZ		

SPRINTER (VA)

SERIES	LINE	BODY	ENGINE	TRANSMISSION
L = LOWLINE	3 = HD DODGE 2WD 8 = HD DODGE 4WD 6 = Lt. Duty DODGE 4WD 2 = Med. Duty DODGE 2WD 7 = Med. Duty DODGE 4WD 4 = TRUCK	01 = CHASSIS FORWARD CONTROL W.B.1 02 = CAB CHASSIS WHEEL BASE 2 06 = CAB CHASSIS WHEEL BASE 6 11 = VAN WHEEL BASE 1 12 = VAN WHEEL BASE 2 51 = WAGON WHEEL BASE 1 52 = WAGON WHEEL BASE 2 14 = VAN WHEEL BASE 4 15 = VAN WHEEL BASE 5 54 = WAGON WHEEL BASE 4 55 = WAGON WHEEL BASE 5 56 = WAGON WHEEL BASE 6 16 = VAN WHEEL BASE 6	EX8 = 2.7L I5 Turbo Diesel Engine EX9 = 2.7L I5 Mercedes-Benz TD Engine	DGJ = 5-Speed Automatic MB Transmission DGZ = 4-Spd. Automatic MT643 Transmission

AR = use ase required - = Non illustrated part

**Connectors Body
Figure 8-1610**



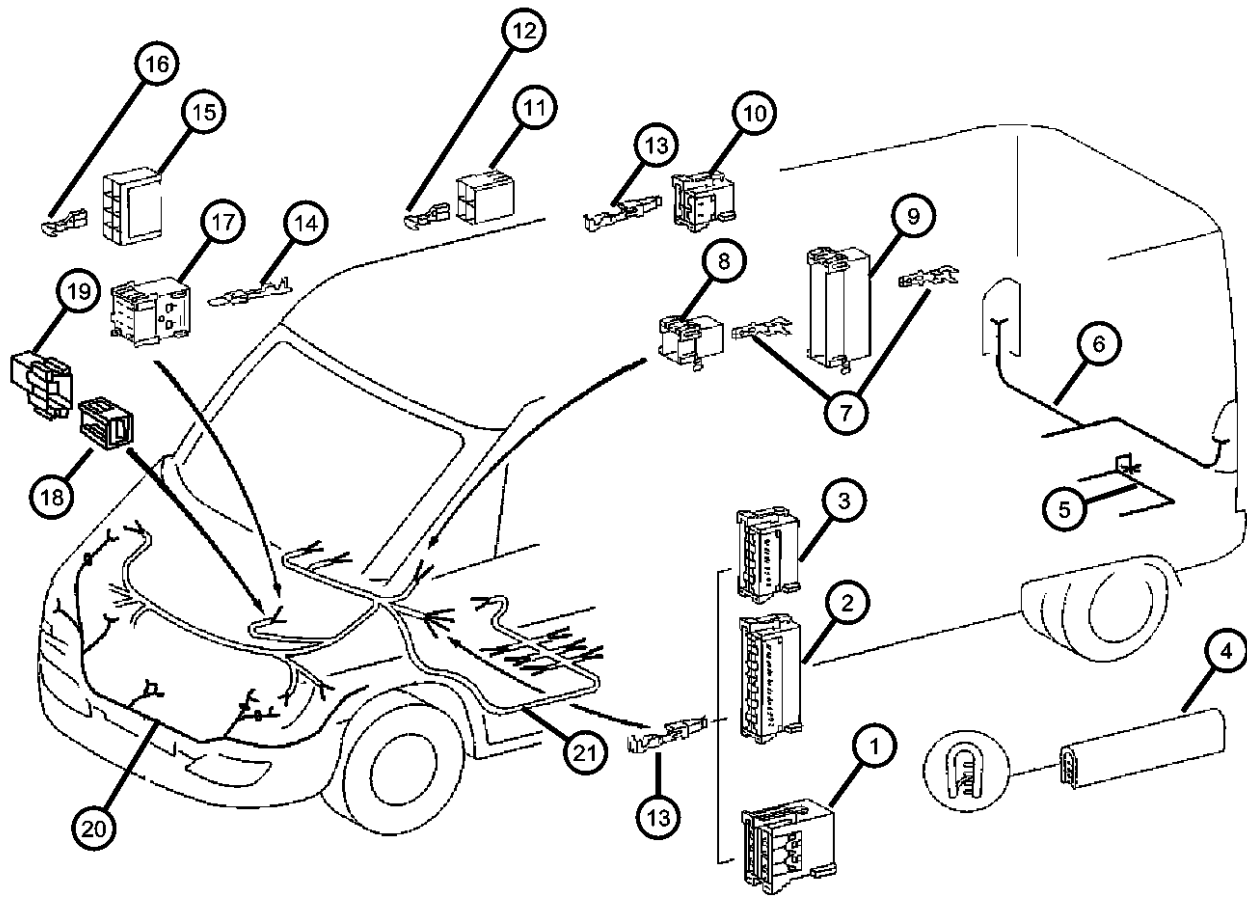
ITEM	PART NUMBER	QTY	LINE	SERIES	BODY	ENGINE	TRANS	TRIM	DESCRIPTION
		1	2, 6	L	11, 12, 14, 15, 16	EX8	DGZ		
		1	2, 6	L	51, 52, 54, 55, 56	EX8	DGZ		
		1	3, 7	L	12, 15, 16	EX8	DGZ		
		1	3, 7	L	02, 06	EX8	DGZ		
10									CONNECTOR
	05120785AA	1	2, 6	L	01, 02, 06	EX8	DGZ		
		1	2, 6	L	15, 16, 11, 12, 14	EX8	DGZ		
		1	2, 6	L	51, 52, 54, 55, 56	EX8	DGZ		
		1	3, 7	L	02, 06	EX8	DGZ		
		1	3, 7	L	12, 15, 16	EX8	DGZ		
11									CONNECTOR
	05103753AA	99	2, 6	L	01, 02, 06	EX8	DGZ		
		99	2, 6	L	11, 12, 14, 15, 16	EX8	DGZ		
		99	2, 6	L	51, 52, 54, 55, 56	EX8	DGZ		
		99	3, 7	L	02, 06	EX8	DGZ		
		99	3, 7	L	12, 15, 16	EX8	DGZ		
12									TERMINAL, Female
	05133360AA	99	2, 6	L	01, 02, 06	EX8	DGZ		
		99	2, 6	L	51, 52, 54, 55, 56	EX8	DGZ		
		99	3, 7	L	02, 06	EX8	DGZ		
		99	3, 7	L	12, 15, 16	EX8	DGZ		
		99	2, 6	L	11, 12, 14, 15, 16	EX8	DGZ		
13									TERMINAL
	05103881AA	99	2, 6	L	01, 02, 06	EX8	DGZ		

SPRINTER (VA)

SERIES	LINE	BODY	ENGINE	TRANSMISSION
L = LOWLINE	3 = HD DODGE 2WD 8 = HD DODGE 4WD 6 = Lt. Duty DODGE 4WD 2 = Med. Duty DODGE 2WD 7 = Med. Duty DODGE 4WD 4 = TRUCK	01 = CHASSIS FORWARD CONTROL W.B.1 02 = CAB CHASSIS WHEEL BASE 2 06 = CAB CHASSIS WHEEL BASE 6 11 = VAN WHEEL BASE 1 12 = VAN WHEEL BASE 2 51 = WAGON WHEEL BASE 1 52 = WAGON WHEEL BASE 2 14 = VAN WHEEL BASE 4 15 = VAN WHEEL BASE 5 54 = WAGON WHEEL BASE 4 55 = WAGON WHEEL BASE 5 56 = WAGON WHEEL BASE 6 16 = VAN WHEEL BASE 6	EX8 = 2.7L I5 Turbo Diesel Engine EX9 = 2.7L I5 Mercedes-Benz TD Engine	DGJ = 5-Speed Automatic MB Transmission DGZ = 4-Spd. Automatic MT643 Transmission

AR = use ase required - = Non illustrated part

**Connectors Body
Figure 8-1610**



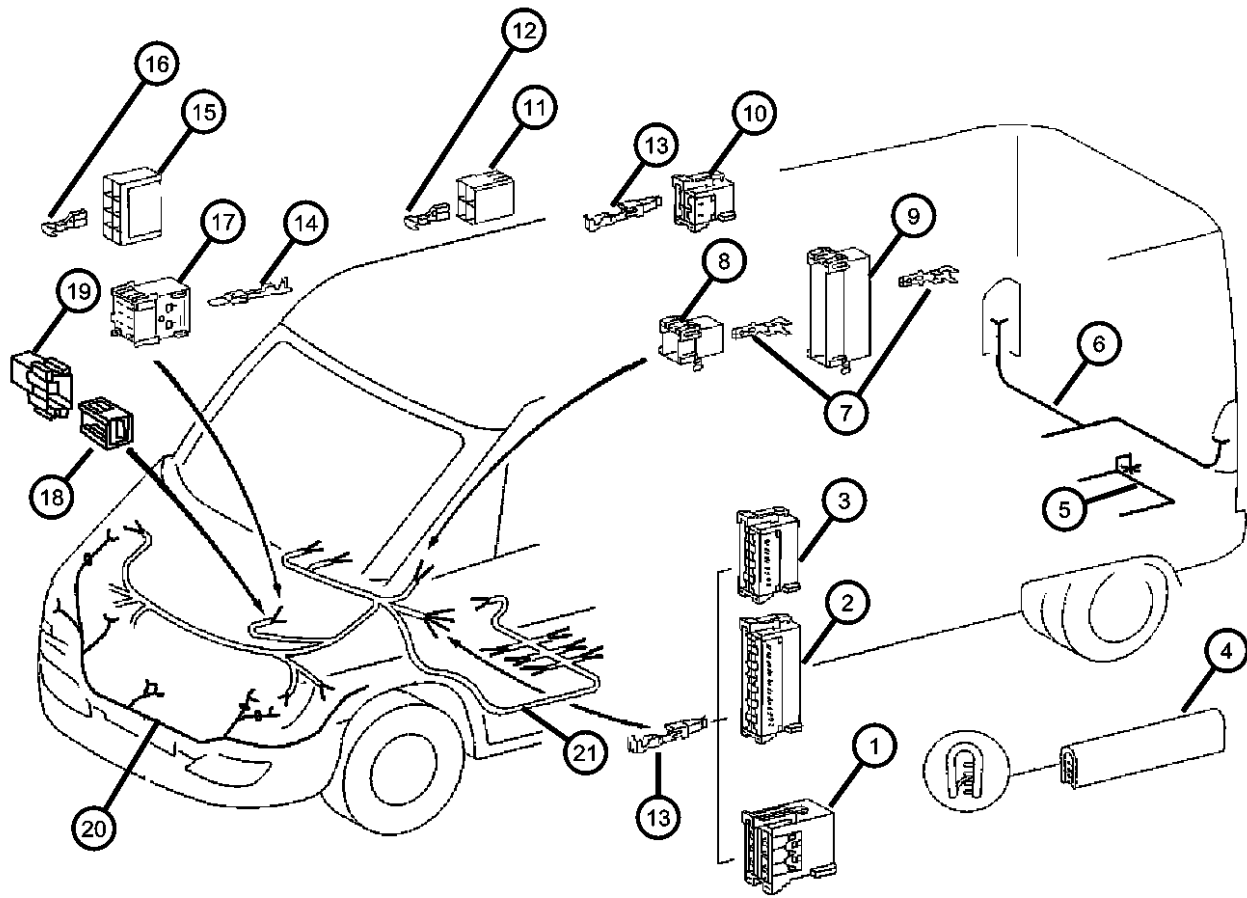
ITEM	PART NUMBER	QTY	LINE	SERIES	BODY	ENGINE	TRANS	TRIM	DESCRIPTION
		99	2, 6	L	12, 14, 15, 16, 11	EX8	DGZ		
		99	2, 6	L	51, 52, 54, 55, 56	EX8	DGZ		
		99	3, 7	L	02, 06	EX8	DGZ		
		99	3, 7	L	12, 15, 16	EX8	DGZ		
14									TERMINAL, Male
	05103909AA	1	2, 6	L	01, 02, 06	EX8	DGZ		
		1	3, 7	L	12, 15, 16	EX8	DGZ		
		1	2, 6	L	11, 12, 14, 15, 16	EX8	DGZ		
		1	2, 6	L	51, 52, 54, 55, 56	EX8	DGZ		
		1	3, 7	L	02, 06	EX8	DGZ		
15									CONNECTOR
	05103752AA	1	2, 6	L	01, 02, 06	EX8	DGZ		
		1	2, 6	L	11, 12, 14, 15, 16	EX8	DGZ		
		1	2, 6	L	51, 52, 54, 55, 56	EX8	DGZ		
		1	3, 7	L	02, 06	EX8	DGZ		
		1	3, 7	L	12, 15, 16	EX8	DGZ		
16									TERMINAL, Female
	05133359AA	1	2, 6	L	02, 06, 01	EX8	DGZ		
		1	6, 2	L	11, 12, 14, 15, 16	EX8	DGZ		
		1	2, 6	L	51, 52, 54, 55, 56	EX8	DGZ		
		1	3, 7	L	02, 06	EX8	DGZ		
		1	3, 7	L	12, 15, 16	EX8	DGZ		
17									INSULATOR, 6 Way Male
	05133327AA	1	3, 7	L	02, 06	EX8	DGZ		

SPRINTER (VA)

SERIES	LINE	BODY	ENGINE	TRANSMISSION
L = LOWLINE	3 = HD DODGE 2WD 8 = HD DODGE 4WD 6 = Lt. Duty DODGE 4WD 2 = Med. Duty DODGE 2WD 7 = Med. Duty DODGE 4WD 4 = TRUCK	01 = CHASSIS FORWARD CONTROL W.B.1 02 = CAB CHASSIS WHEEL BASE 2 06 = CAB CHASSIS WHEEL BASE 6 11 = VAN WHEEL BASE 1 12 = VAN WHEEL BASE 2 51 = WAGON WHEEL BASE 1 52 = WAGON WHEEL BASE 2 14 = VAN WHEEL BASE 4 15 = VAN WHEEL BASE 5 54 = WAGON WHEEL BASE 4 55 = WAGON WHEEL BASE 5 56 = WAGON WHEEL BASE 6 16 = VAN WHEEL BASE 6	EX8 = 2.7L I5 Turbo Diesel Engine EX9 = 2.7L I5 Mercedes-Benz TD Engine	DGJ = 5-Speed Automatic MB Transmission DGZ = 4-Spd. Automatic MT643 Transmission

AR = use ase required - = Non illustrated part

**Connectors Body
Figure 8-1610**



ITEM	PART NUMBER	QTY	LINE	SERIES	BODY	ENGINE	TRANS	TRIM	DESCRIPTION
		1	3, 7	L	12, 15, 16	EX8	DGZ		
		1	2, 6	L	01, 02, 06	EX8	DGZ		
		1	2, 6	L	11, 12, 14, 15, 16	EX8	DGZ		
		1	2, 6	L	51, 52, 54, 55, 56	EX8	DGZ		
18									CONNECTOR, Wiring
	05133396AA	1	2, 6	L	01, 02, 06	EX8	DGZ		
		1	2, 6	L	12, 14, 15, 16, 11	EX8	DGZ		
		1	2, 6	L	51, 52, 54, 55, 56	EX8	DGZ		
		1	3, 7	L	02, 06	EX8	DGZ		
		1	3, 7	L	12, 15, 16	EX8	DGZ		
19									INSULATOR, 4 Way Male
	05133397AA	1	2, 6	L	01, 02, 06	EX8	DGZ		
		1	2, 6	L	11, 12, 14, 15, 16	EX8	DGZ		
		1	2, 6	L	51, 52, 54, 55, 56	EX8	DGZ		
		1	3, 7	L	02, 06	EX8	DGZ		
		1	3, 7	L	12, 15, 16	EX8	DGZ		
20									WIRING, Headlamp
	05133398AA	1	2, 6	L	01, 02, 06	EX8	DGZ		Repair Harness For Front Lamps. Lamp Sockets Are Not Serviced
		1	2, 6	L	11, 12, 14, 15, 16	EX8	DGZ		Repair Harness For Front Lamps. Lamp Sockets Are Not Serviced
		1	2, 6	L	51, 52, 54, 55, 56	EX8	DGZ		Repair Harness For Front Lamps. Lamp Sockets Are Not Serviced

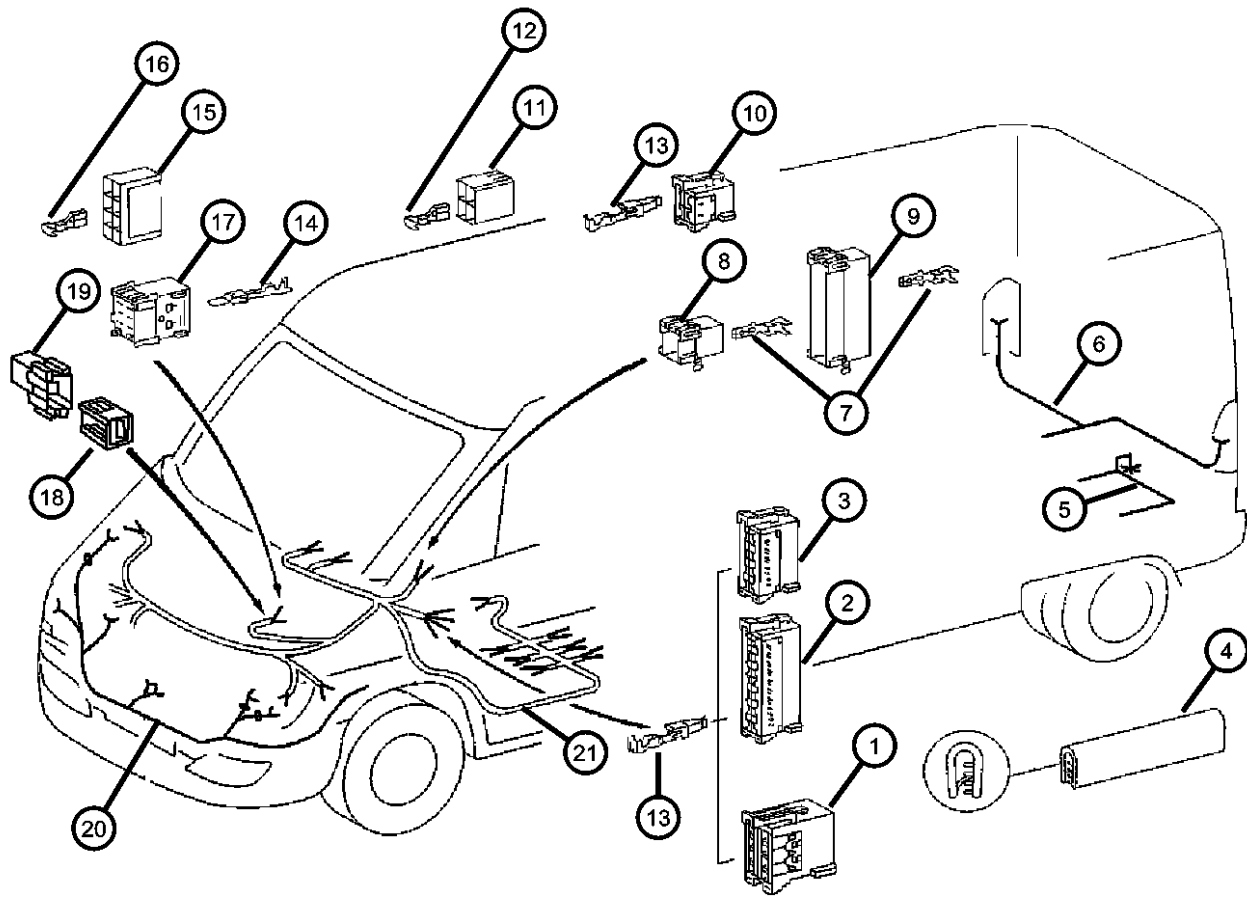
SPRINTER (VA)

SERIES	LINE	BODY	ENGINE	TRANSMISSION
L = LOWLINE	3 = HD DODGE 2WD 8 = HD DODGE 4WD 6 = Lt. Duty DODGE 4WD 2 = Med. Duty DODGE 2WD 7 = Med. Duty DODGE 4WD 4 = TRUCK	01 = CHASSIS FORWARD CONTROL W.B.1 02 = CAB CHASSIS WHEEL BASE 2 06 = CAB CHASSIS WHEEL BASE 6 11 = VAN WHEEL BASE 1 12 = VAN WHEEL BASE 2 51 = WAGON WHEEL BASE 1 52 = WAGON WHEEL BASE 2 14 = VAN WHEEL BASE 4 15 = VAN WHEEL BASE 5 54 = WAGON WHEEL BASE 4 55 = WAGON WHEEL BASE 5 56 = WAGON WHEEL BASE 6 16 = VAN WHEEL BASE 6	EX8 = 2.7L I5 Turbo Diesel Engine EX9 = 2.7L I5 Mercedes-Benz TD Engine	DGJ = 5-Speed Automatic MB Transmission DGZ = 4-Spd. Automatic MT643 Transmission

AR = use ase required - = Non illustrated part

**Connectors Body
Figure 8-1610**

ITEM	PART NUMBER	QTY	LINE	SERIES	BODY	ENGINE	TRANS	TRIM	DESCRIPTION
		1	3, 7	L	02, 06	EX8	DGZ		Repair Harness For Front Lamps. Lamp Sockets Are Not Serviced
		1	3, 7	L	12, 15, 16	EX8	DGZ		Repair Harness For Front Lamps. Lamp Sockets Are Not Serviced
21	05114935AA	1	3, 7	L	02, 06	EX8	DGZ		WIRING, Headlamp to Dash
		1	3, 7	L	12, 15, 16	EX8	DGZ		
		1	2, 6	L	01, 02, 06	EX8	DGZ		
		1	2, 6	L	11, 12, 14, 15, 16	EX8	DGZ		
		1	2, 6	L	51, 52, 54, 55, 56	EX8	DGZ		

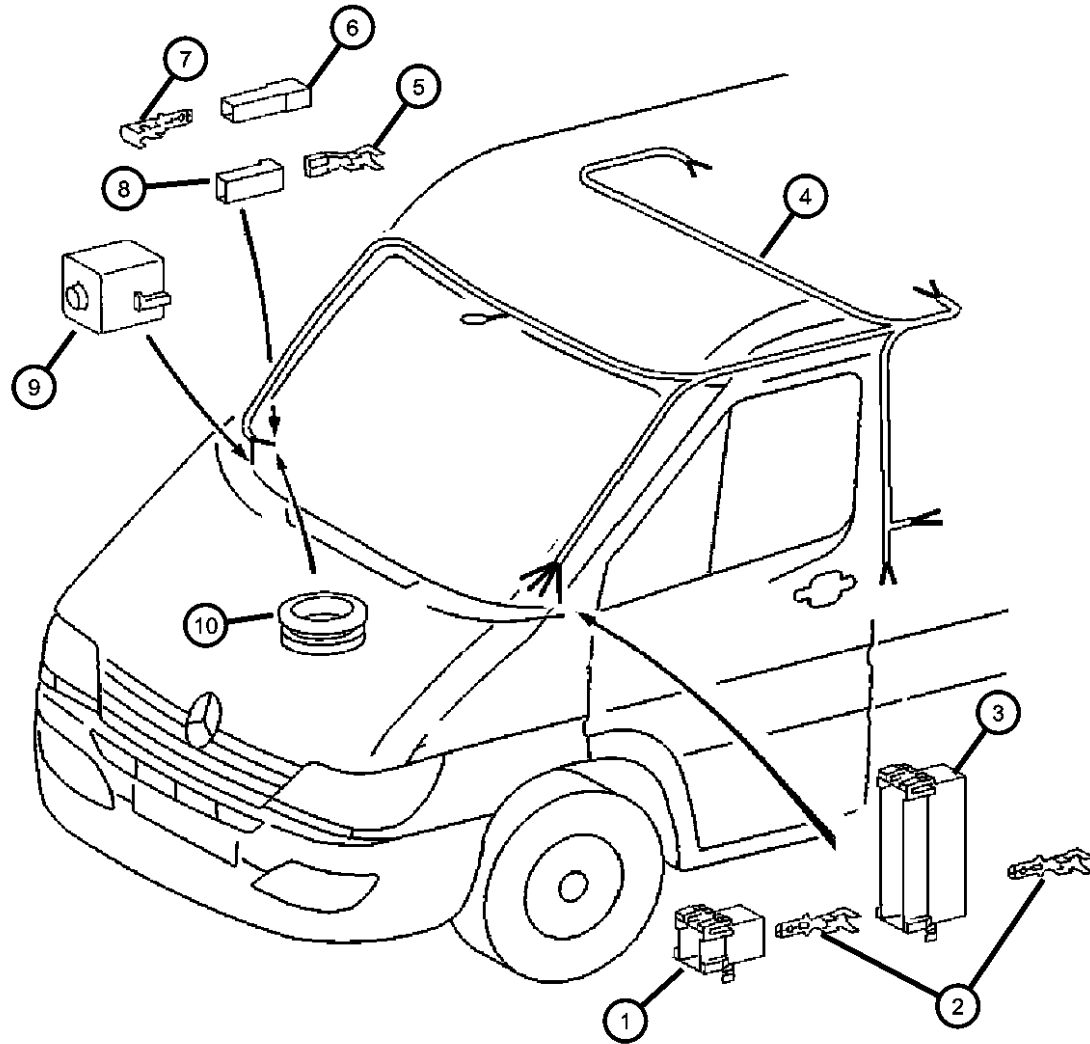


SPRINTER (VA)

SERIES	LINE	BODY	ENGINE	TRANSMISSION
L = LOWLINE	3 = HD DODGE 2WD 8 = HD DODGE 4WD 6 = Lt. Duty DODGE 4WD 2 = Med. Duty DODGE 2WD 7 = Med. Duty DODGE 4WD 4 = TRUCK	01 = CHASSIS FORWARD CONTROL W.B.1 02 = CAB CHASSIS WHEEL BASE 2 06 = CAB CHASSIS WHEEL BASE 6 11 = VAN WHEEL BASE 1 12 = VAN WHEEL BASE 2 51 = WAGON WHEEL BASE 1 52 = WAGON WHEEL BASE 2 14 = VAN WHEEL BASE 4 15 = VAN WHEEL BASE 5 54 = WAGON WHEEL BASE 4 55 = WAGON WHEEL BASE 5 56 = WAGON WHEEL BASE 6 16 = VAN WHEEL BASE 6	EX8 = 2.7L I5 Turbo Diesel Engine EX9 = 2.7L I5 Mercedes-Benz TD Engine	DGJ = 5-Speed Automatic MB Transmission DGZ = 4-Spd. Automatic MT643 Transmission

AR = use ase required - = Non illustrated part

**Connectors Roof
Figure 8-1615**



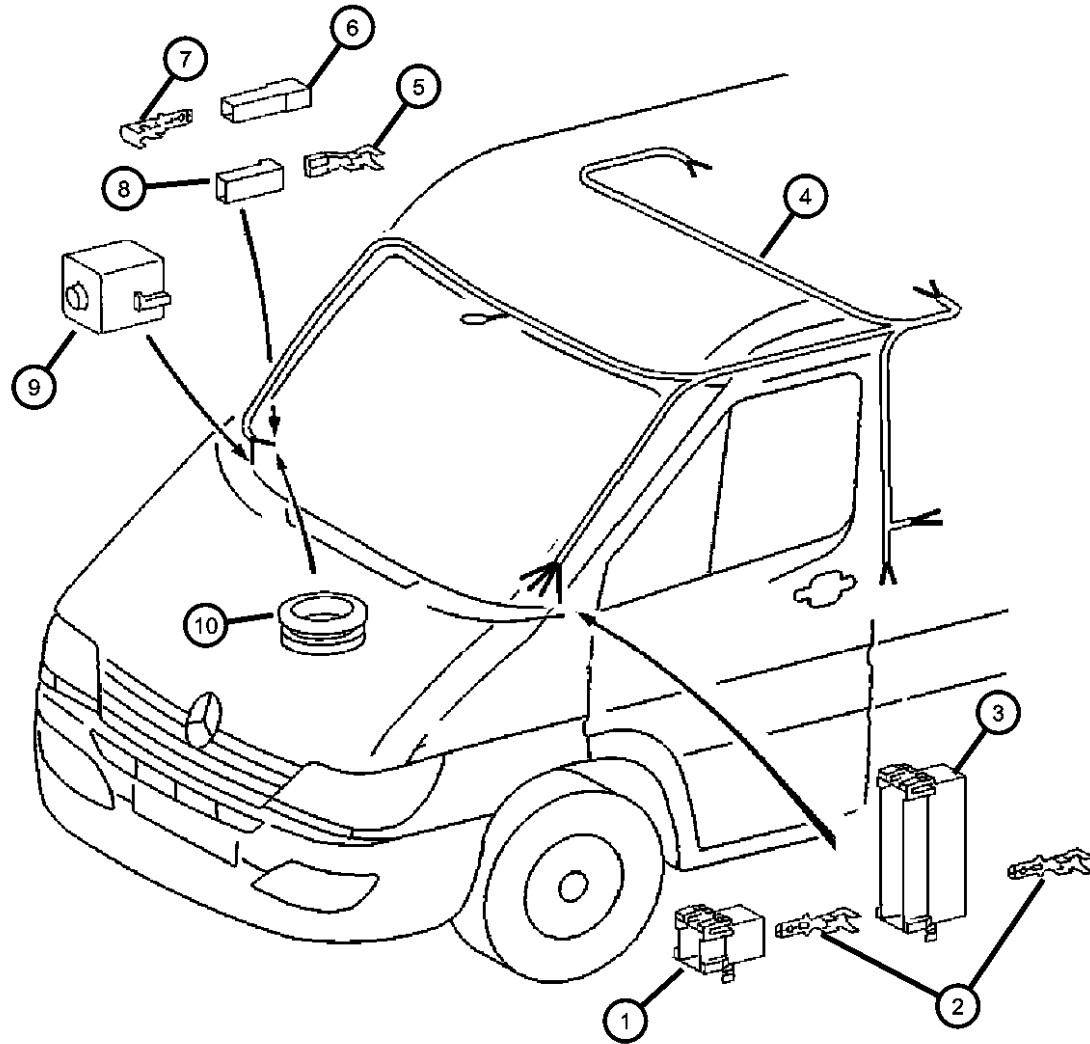
ITEM	PART NUMBER	QTY	LINE	SERIES	BODY	ENGINE	TRANS	TRIM	DESCRIPTION		
1	05120791AA	1	2, 6	L	01, 02, 06	EX8	DGZ		CONNECTOR		
		1	2, 6	L	11, 12, 14, 15, 16	EX8	DGZ				
		1	2, 6	L	51, 52, 54, 55, 56	EX8	DGZ				
		1	3, 7	L	02, 06	EX8	DGZ				
		1	3, 7	L	12, 15, 16	EX8	DGZ				
2	05133377AA	1	2, 6	L	01, 02, 06	EX8	DGZ		TERMINAL, Male Small		
		1	2, 6	L	11, 12, 14, 15, 16	EX8	DGZ				
		1	2, 6	L	51, 52, 54, 55, 56	EX8	DGZ				
		1	3, 7	L	02, 06	EX8	DGZ				
		1	3, 7	L	12, 15, 16	EX8	DGZ				
		05133378AA	99	2, 6	L	01, 02, 06	EX8	DGZ			Large
			99	2, 6	L	11, 12, 14, 15, 16	EX8	DGZ			
			99	2, 6	L	51, 52, 54, 55, 56	EX8	DGZ			
			99	3, 7	L	02, 06	EX8	DGZ			
			99	3, 7	L	12, 15, 16	EX8	DGZ			
3	05120794AA	1	2, 6	L	01, 02, 06	EX8	DGZ		CONNECTOR		
		1	2, 6	L	11, 12, 14, 15, 16	EX8	DGZ				
		1	2, 6	L	51, 52, 54, 55, 56	EX8	DGZ				
		1	3, 7	L	02, 06	EX8	DGZ				
		1	3, 7	L	12, 15, 16	EX8	DGZ				
4								WIRING, Body			

SPRINTER (VA)

SERIES	LINE	BODY	ENGINE	TRANSMISSION
L = LOWLINE	3 = HD DODGE 2WD 8 = HD DODGE 4WD 6 = Lt. Duty DODGE 4WD 2 = Med. Duty DODGE 2WD 7 = Med. Duty DODGE 4WD 4 = TRUCK	01 = CHASSIS FORWARD CONTROL W.B.1 02 = CAB CHASSIS WHEEL BASE 2 06 = CAB CHASSIS WHEEL BASE 6 11 = VAN WHEEL BASE 1 12 = VAN WHEEL BASE 2 51 = WAGON WHEEL BASE 1 52 = WAGON WHEEL BASE 2 14 = VAN WHEEL BASE 4 15 = VAN WHEEL BASE 5 54 = WAGON WHEEL BASE 4 55 = WAGON WHEEL BASE 5 56 = WAGON WHEEL BASE 6 16 = VAN WHEEL BASE 6	EX8 = 2.7L I5 Turbo Diesel Engine EX9 = 2.7L I5 Mercedes-Benz TD Engine	DGJ = 5-Speed Automatic MB Transmission DGZ = 4-Spd. Automatic MT643 Transmission

AR = use ase required - = Non illustrated part

**Connectors Roof
Figure 8-1615**



ITEM	PART NUMBER	QTY	LINE	SERIES	BODY	ENGINE	TRANS	TRIM	DESCRIPTION
	05114931AA	1	2, 6	L	01, 02, 06	EX8	DGZ		
		1	2, 6	L	11, 12, 14, 15, 16	EX8	DGZ		
		1	2, 6	L	51, 52, 54, 55, 56	EX8	DGZ		
		1	3, 7	L	02, 06	EX8	DGZ		
		1	3, 7	L	12, 15, 16	EX8	DGZ		
5	05103871AA	1	2, 6	L	01, 02, 06	EX8	DGZ		TERMINAL, Female
		1	2, 6	L	11, 12, 14, 15, 16	EX8	DGZ		
		1	2, 6	L	51, 52, 54, 55, 56	EX8	DGZ		
		99	3, 7	L	12, 15, 16	EX8	DGZ		
		1	3, 7	L	02, 06	EX8	DGZ		
6	05120685AA	2	2, 6	L	11, 12, 14, 15, 16	EX8	DGZ		INSULATOR
		2	2, 6	L	51, 52, 54, 55, 56	EX8	DGZ		
		1	2, 6	L	01, 02, 06	EX8	DGZ		
		2	3, 7	L	12, 15, 16	EX8	DGZ		
		1	3, 7	L	02, 06	EX8	DGZ		
7	05133358AA	1	2, 6	L	01, 02, 06	EX8	DGZ		TERMINAL, Male
		1	2, 6	L	11, 12, 14, 15, 16	EX8	DGZ		
		1	2, 6	L	51, 52, 54, 55, 56	EX8	DGZ		
		1	3, 7	L	02, 06	EX8	DGZ		
		1	3, 7	L	12, 15, 16	EX8	DGZ		
8									CONNECTOR

SPRINTER (VA)

SERIES

L = LOWLINE
 3 = HD DODGE 2WD
 8 = HD DODGE 4WD
 6 = Lt. Duty DODGE 4WD
 2 = Med. Duty DODGE 2WD
 7 = Med. Duty DODGE 4WD
 4 = TRUCK

LINE

BODY

01 = CHASSIS FORWARD CONTROL W.B.1
 02 = CAB CHASSIS WHEEL BASE 2
 06 = CAB CHASSIS WHEEL BASE 6
 11 = VAN WHEEL BASE 1
 12 = VAN WHEEL BASE 2
 51 = WAGON WHEEL BASE 1
 52 = WAGON WHEEL BASE 2
 14 = VAN WHEEL BASE 4
 15 = VAN WHEEL BASE 5
 54 = WAGON WHEEL BASE 4
 55 = WAGON WHEEL BASE 5
 56 = WAGON WHEEL BASE 6
 16 = VAN WHEEL BASE 6

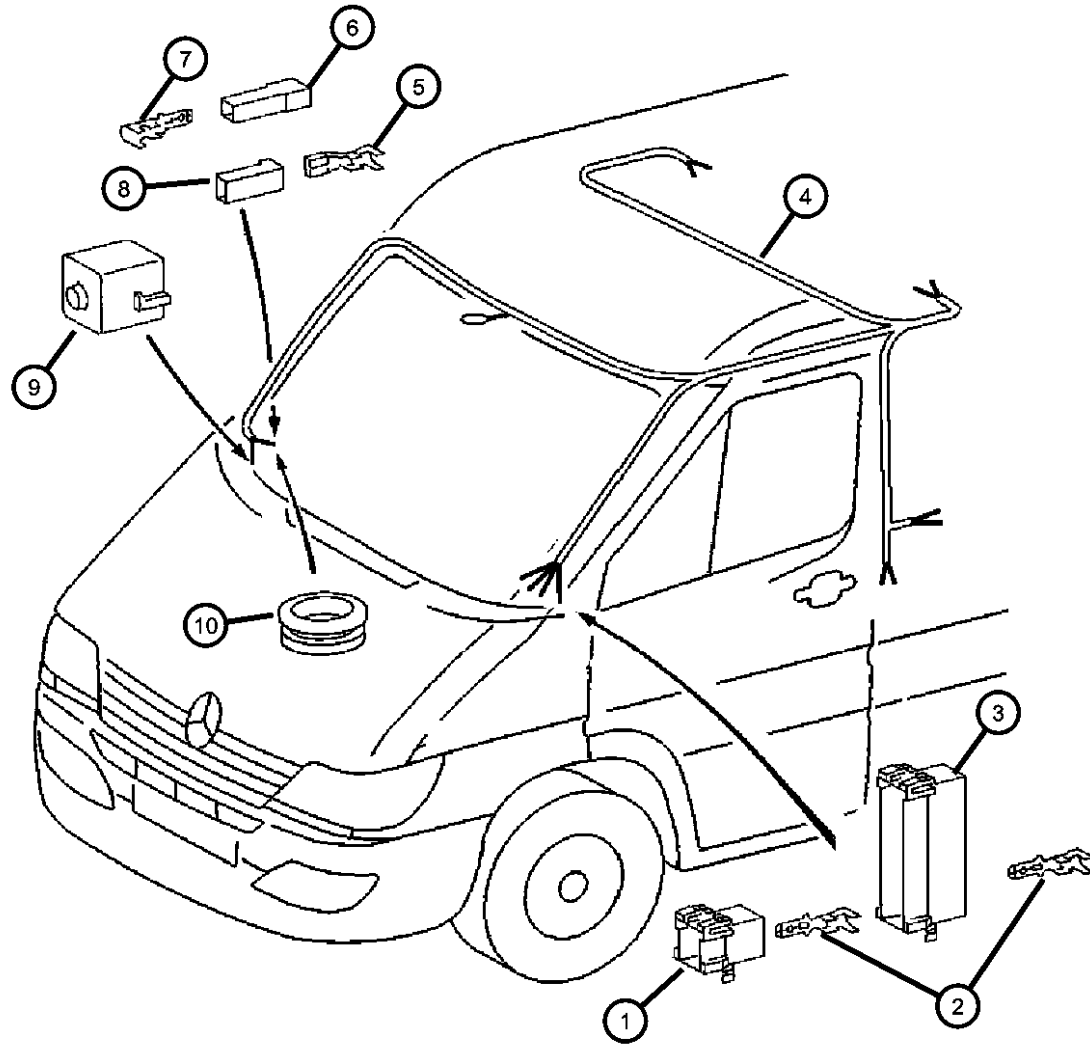
ENGINE

EX8 = 2.7L I5 Turbo Diesel Engine
 EX9 = 2.7L I5 Mercedes-Benz TD Engine

TRANSMISSION

DGJ = 5-Speed Automatic MB Transmission
 DGZ = 4-Spd. Automatic MT643 Transmission

**Connectors Roof
Figure 8-1615**



ITEM	PART NUMBER	QTY	LINE	SERIES	BODY	ENGINE	TRANS	TRIM	DESCRIPTION
	05120684AA	1	2, 6	L	11, 12, 14, 15, 16	EX8	DGZ		
		1	2, 6	L	51, 52, 54, 55, 56	EX8	DGZ		
		1	2, 6	L	01, 02, 06	EX8	DGZ		
		1	3, 7	L	12, 15, 16	EX8	DGZ		
		1	3, 7	L	02, 06	EX8	DGZ		
9	05133401AA	1	2, 6	L	01, 02, 06	EX8	DGZ		INSULATOR, 2 Way
		1	2, 6	L	11, 12, 14, 15, 16	EX8	DGZ		
		1	2, 6	L	51, 52, 54, 55, 56	EX8	DGZ		
		1	3, 7	L	02, 06	EX8	DGZ		
		1	3, 7	L	12, 15, 16	EX8	DGZ		
10	05133408AA	1	2, 6	L	01, 02, 06	EX8	DGZ		GROMMET, Chassis Wiring
		1	2, 6	L	11, 12, 14, 15, 16	EX8	DGZ		
		1	2, 6	L	51, 52, 54, 55, 56	EX8	DGZ		
		1	3, 7	L	02, 06	EX8	DGZ		
		1	3, 7	L	12, 15, 16	EX8	DGZ		

SPRINTER (VA)

SERIES
L = LOWLINE

LINE

3 = HD DODGE 2WD
8 = HD DODGE 4WD
6 = Lt. Duty DODGE 4WD
2 = Med. Duty DODGE 2WD
7 = Med. Duty DODGE 4WD
4 = TRUCK

BODY

01 = CHASSIS FORWARD CONTROL W.B.1
02 = CAB CHASSIS WHEEL BASE 2
06 = CAB CHASSIS WHEEL BASE 6
11 = VAN WHEEL BASE 1
12 = VAN WHEEL BASE 2
51 = WAGON WHEEL BASE 1
52 = WAGON WHEEL BASE 2
14 = VAN WHEEL BASE 4
15 = VAN WHEEL BASE 5
54 = WAGON WHEEL BASE 4
55 = WAGON WHEEL BASE 5
56 = WAGON WHEEL BASE 6
16 = VAN WHEEL BASE 6

ENGINE

EX8 = 2.7L I5 Turbo Diesel Engine
EX9 = 2.7L I5 Mercedes-Benz TD Engine

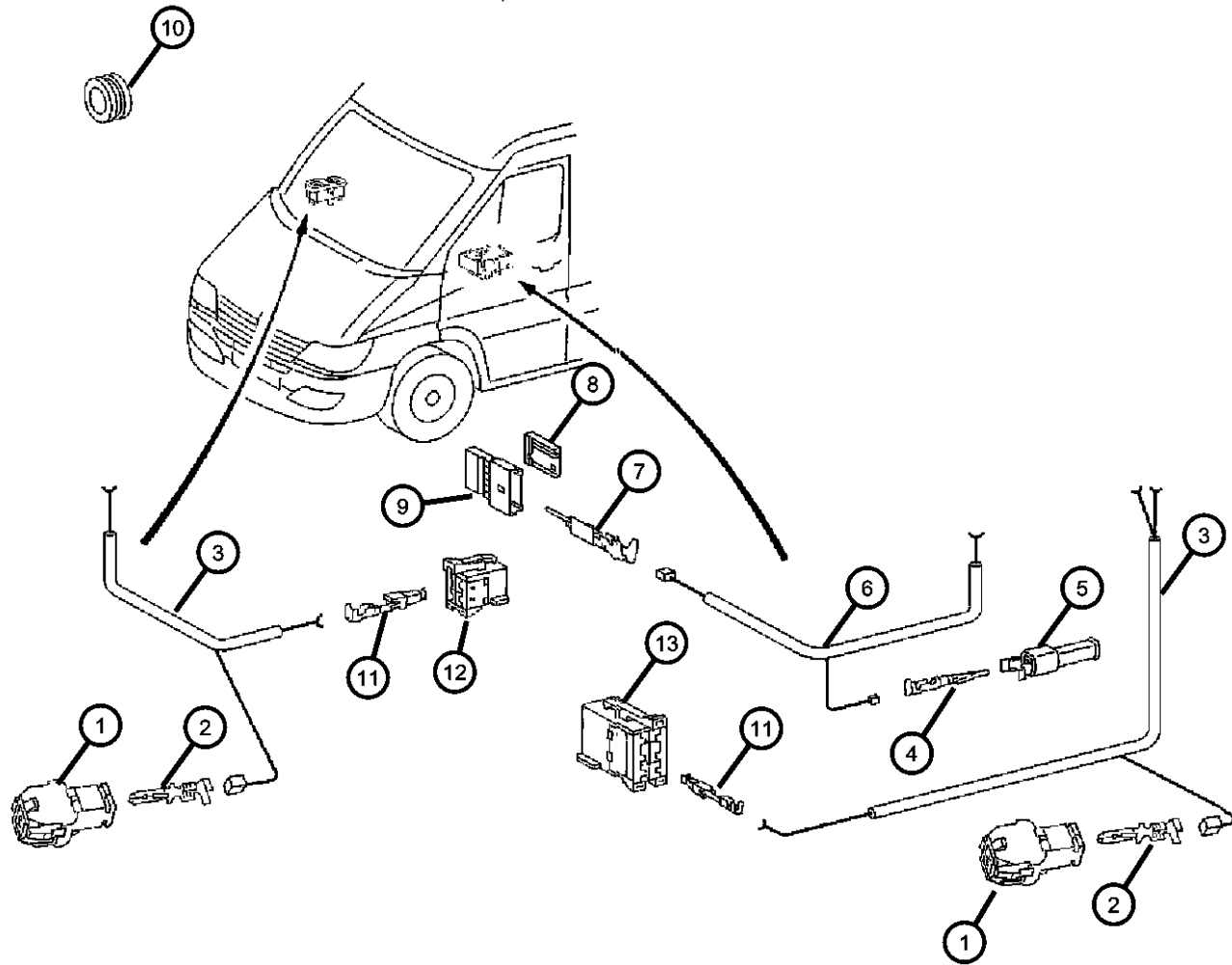
TRANSMISSION

DGJ = 5-Speed Automatic MB Transmission
DGZ = 4-Spd. Automatic MT643 Transmission

AR = use ase required - = Non illustrated part

2006 VA

Connectors Front Doors
Figure 8-1620



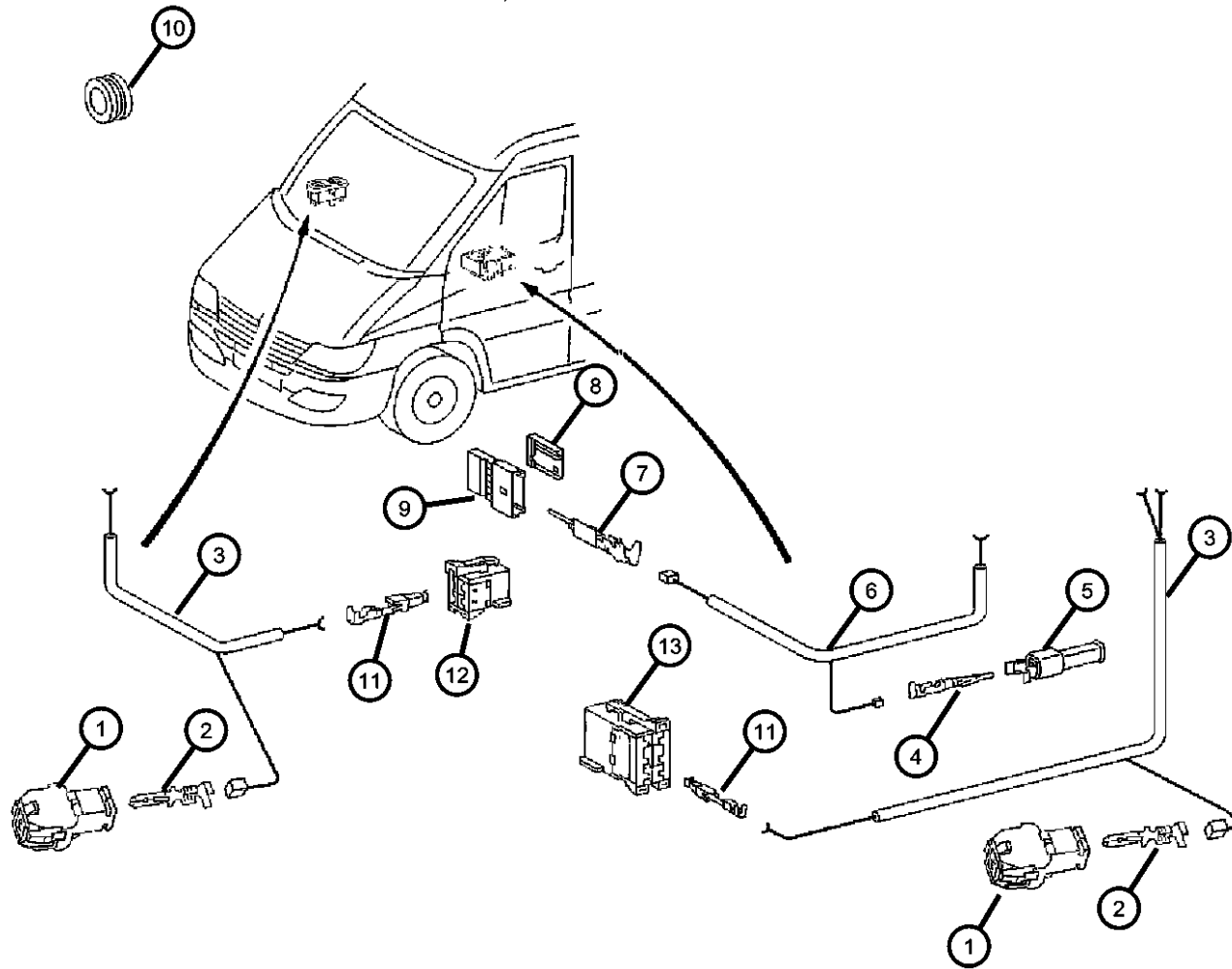
ITEM	PART NUMBER	QTY	LINE	SERIES	BODY	ENGINE	TRANS	TRIM	DESCRIPTION
1									CONNECTOR
	05120795AA	1	3, 7	L	12, 15, 16	EX8	DGZ		
		1	3, 7	L	02, 06	EX8	DGZ		
		1	2, 6	L	01, 02, 06	EX8	DGZ		
		1	2, 6	L	11, 12, 14, 15, 16	EX8	DGZ		
		1	2, 6	L	51, 52, 54, 55, 56	EX8	DGZ		
2									TERMINAL, Male
	05133378AA	99	2, 6	L	01, 02, 06	EX8	DGZ		
		99	2, 6	L	11, 12, 14, 15, 16	EX8	DGZ		
		99	2, 6	L	51, 52, 54, 55, 56	EX8	DGZ		
		1	3, 7	L	02, 06	EX8	DGZ		
		1	3, 7	L	12, 15, 16	EX8	DGZ		
3									WIRING, Power Window
	05120222AA	1	2, 6	L	51, 52, 54, 55, 56	EX8	DGZ		Passenger door
		1	3, 7	L	02, 06	EX8	DGZ		Passenger door
	05120220AA	1	2, 6	L	01, 02, 06	EX8	DGZ		Drivers door
		1	2, 6	L	11, 12, 14, 15, 16	EX8	DGZ		Drivers door
		1	2, 6	L	51, 52, 54, 55, 56	EX8	DGZ		Drivers door
		1	3, 7	L	02, 06	EX8	DGZ		Drivers door
		1	3, 7	L	12, 15, 16	EX8	DGZ		Drivers door
		1	2, 6	L	01, 02, 06	EX8	DGZ		Passenger door
		1	2, 6	L	11, 12, 14, 15, 16	EX8	DGZ		Passenger door
		1	3, 7	L	12, 15, 16	EX8	DGZ		Passenger door
4									TERMINAL

SPRINTER (VA)

SERIES	LINE	BODY	ENGINE	TRANSMISSION
L = LOWLINE	3 = HD DODGE 2WD 8 = HD DODGE 4WD 6 = Lt. Duty DODGE 4WD 2 = Med. Duty DODGE 2WD 7 = Med. Duty DODGE 4WD 4 = TRUCK	01 = CHASSIS FORWARD CONTROL W.B.1 02 = CAB CHASSIS WHEEL BASE 2 06 = CAB CHASSIS WHEEL BASE 6 11 = VAN WHEEL BASE 1 12 = VAN WHEEL BASE 2 51 = WAGON WHEEL BASE 1 52 = WAGON WHEEL BASE 2 14 = VAN WHEEL BASE 4 15 = VAN WHEEL BASE 5 54 = WAGON WHEEL BASE 4 55 = WAGON WHEEL BASE 5 56 = WAGON WHEEL BASE 6 16 = VAN WHEEL BASE 6	EX8 = 2.7L I5 Turbo Diesel Engine EX9 = 2.7L I5 Mercedes-Benz TD Engine	DGJ = 5-Speed Automatic MB Transmission DGZ = 4-Spd. Automatic MT643 Transmission

AR = use ase required - = Non illustrated part

Connectors Front Doors
Figure 8-1620



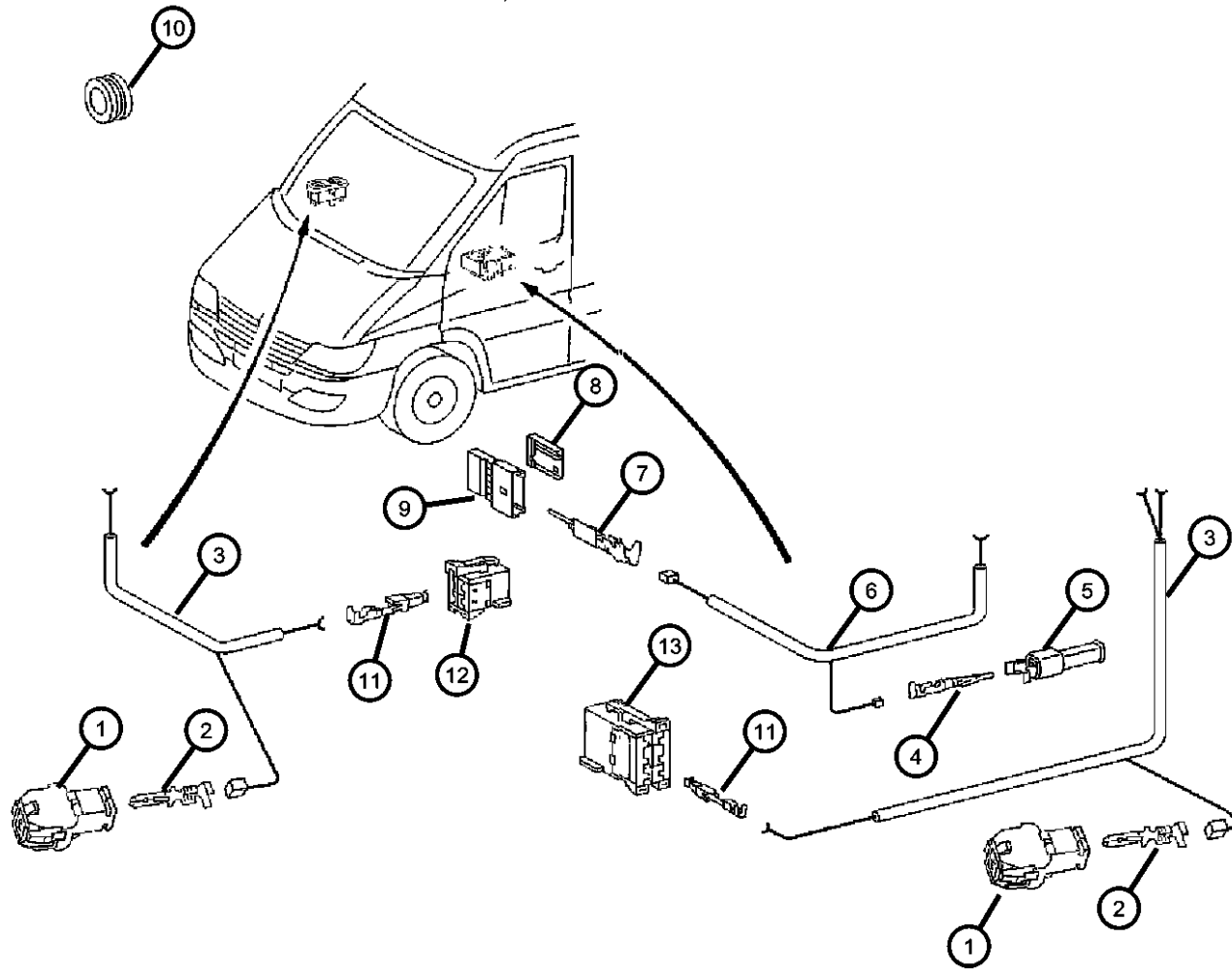
ITEM	PART NUMBER	QTY	LINE	SERIES	BODY	ENGINE	TRANS	TRIM	DESCRIPTION
5	05133387AA	5	2, 6	L	01, 02, 06	EX8	DGZ		CONNECTOR
		5	2, 6	L	11, 12, 14, 15, 16	EX8	DGZ		
		5	2, 6	L	51, 52, 54, 55, 56	EX8	DGZ		
		5	3, 7	L	02, 06	EX8	DGZ		
		5	3, 7	L	12, 15, 16	EX8	DGZ		
6	05120744AA	1	2, 6	L	01, 02, 06	EX8	DGZ		WIRING, Mirror Jumper
		1	2, 6	L	11, 12, 14, 15, 16	EX8	DGZ		
		1	2, 6	L	51, 52, 54, 55, 56	EX8	DGZ		
		1	3, 7	L	02, 06	EX8	DGZ		
		1	3, 7	L	12, 15, 16	EX8	DGZ		
7	05120224AA	1	2, 6	L	01, 02, 06	EX8	DGZ		TERMINAL, Male
		1	2, 6	L	11, 12, 14, 15, 16	EX8	DGZ		
		1	2, 6	L	51, 52, 54, 55, 56	EX8	DGZ		
		1	3, 7	L	02, 06	EX8	DGZ		
		1	3, 7	L	12, 15, 16	EX8	DGZ		
8	05133990AA	99	2, 6	L	01, 02, 06	EX8	DGZ		CONNECTOR, Instrument cluster
		99	2, 6	L	11, 12, 14, 15, 16	EX8	DGZ		
		99	2, 6	L	51, 52, 54, 55, 56	EX8	DGZ		
		99	3, 7	L	02, 06	EX8	DGZ		
		99	3, 7	L	12, 15, 16	EX8	DGZ		

SPRINTER (VA)

SERIES	LINE	BODY	ENGINE	TRANSMISSION
L = LOWLINE	3 = HD DODGE 2WD 8 = HD DODGE 4WD 6 = Lt. Duty DODGE 4WD 2 = Med. Duty DODGE 2WD 7 = Med. Duty DODGE 4WD 4 = TRUCK	01 = CHASSIS FORWARD CONTROL W.B.1 02 = CAB CHASSIS WHEEL BASE 2 06 = CAB CHASSIS WHEEL BASE 6 11 = VAN WHEEL BASE 1 12 = VAN WHEEL BASE 2 51 = WAGON WHEEL BASE 1 52 = WAGON WHEEL BASE 2 14 = VAN WHEEL BASE 4 15 = VAN WHEEL BASE 5 54 = WAGON WHEEL BASE 4 55 = WAGON WHEEL BASE 5 56 = WAGON WHEEL BASE 6 16 = VAN WHEEL BASE 6	EX8 = 2.7L I5 Turbo Diesel Engine EX9 = 2.7L I5 Mercedes-Benz TD Engine	DGJ = 5-Speed Automatic MB Transmission DGZ = 4-Spd. Automatic MT643 Transmission

AR = use ase required - = Non illustrated part

Connectors Front Doors
Figure 8-1620



ITEM	PART NUMBER	QTY	LINE	SERIES	BODY	ENGINE	TRANS	TRIM	DESCRIPTION
	05133331AA	1	3, 7	L	02, 06	EX8	DGZ		
		1	3, 7	L	12, 15, 16	EX8	DGZ		
		1	2, 6	L	01, 02, 06	EX8	DGZ		
		1	2, 6	L	11, 12, 14, 15, 16	EX8	DGZ		
		1	2, 6	L	51, 52, 54, 55, 56	EX8	DGZ		
9									INSULATOR, 6 Way
	05133330AA	1	2, 6	L	01, 02, 06	EX8	DGZ		
		1	2, 6	L	11, 12, 14, 15, 16	EX8	DGZ		
		1	2, 6	L	51, 52, 54, 55, 56	EX8	DGZ		
		1	3, 7	L	02, 06	EX8	DGZ		
		1	3, 7	L	12, 15, 16	EX8	DGZ		
10									GROMMET
	05125942AA	2	2, 6	L	01, 02, 06	EX8	DGZ		
		2	2, 6	L	11, 12, 14, 15, 16	EX8	DGZ		
		2	2, 6	L	51, 52, 54, 55, 56	EX8	DGZ		
		2	3, 7	L	02, 06	EX8	DGZ		
		2	3, 7	L	12, 15, 16	EX8	DGZ		
11									TERMINAL
	05103881AA	99	2, 6	L	01, 02, 06	EX8	DGZ		
		99	2, 6	L	11, 12, 14, 15, 16	EX8	DGZ		
		99	2, 6	L	51, 52, 54, 55, 56	EX8	DGZ		
		99	3, 7	L	12, 15, 16	EX8	DGZ		
12									CONNECTOR
	05120785AA	1	2, 6	L	01, 02, 06	EX8	DGZ		

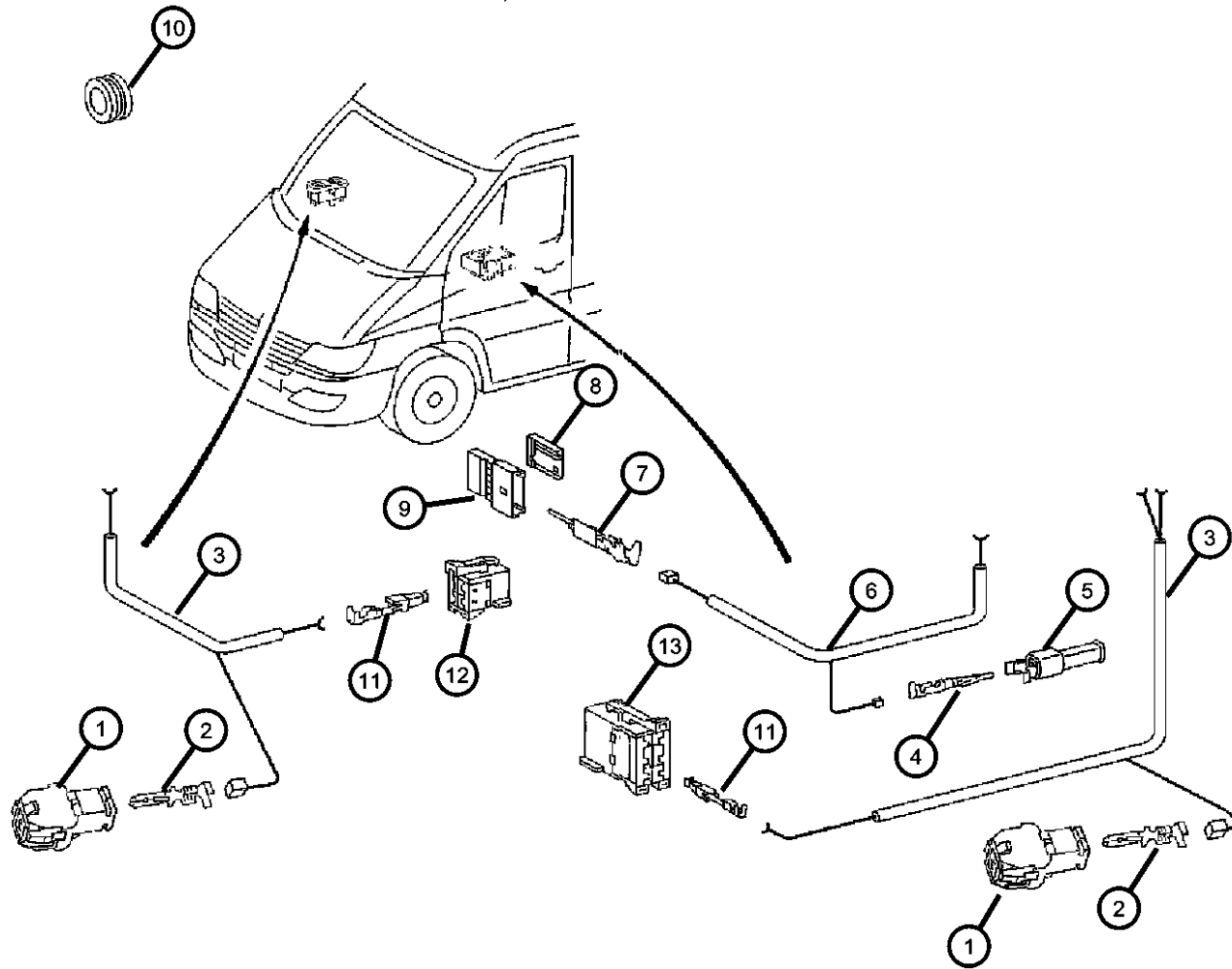
SPRINTER (VA)

SERIES	LINE	BODY	ENGINE	TRANSMISSION
L = LOWLINE	3 = HD DODGE 2WD 8 = HD DODGE 4WD 6 = Lt. Duty DODGE 4WD 2 = Med. Duty DODGE 2WD 7 = Med. Duty DODGE 4WD 4 = TRUCK	01 = CHASSIS FORWARD CONTROL W.B.1 02 = CAB CHASSIS WHEEL BASE 2 06 = CAB CHASSIS WHEEL BASE 6 11 = VAN WHEEL BASE 1 12 = VAN WHEEL BASE 2 51 = WAGON WHEEL BASE 1 52 = WAGON WHEEL BASE 2 14 = VAN WHEEL BASE 4 15 = VAN WHEEL BASE 5 54 = WAGON WHEEL BASE 4 55 = WAGON WHEEL BASE 5 56 = WAGON WHEEL BASE 6 16 = VAN WHEEL BASE 6	EX8 = 2.7L I5 Turbo Diesel Engine EX9 = 2.7L I5 Mercedes-Benz TD Engine	DGJ = 5-Speed Automatic MB Transmission DGZ = 4-Spd. Automatic MT643 Transmission

AR = use ase required - = Non illustrated part

Connectors Front Doors
Figure 8-1620

ITEM	PART NUMBER	QTY	LINE	SERIES	BODY	ENGINE	TRANS	TRIM	DESCRIPTION
		1	2, 6	L	11, 12, 14, 15, 16	EX8	DGZ		
		1	2, 6	L	51, 52, 54, 55, 56	EX8	DGZ		
		1	3, 7	L	02, 06	EX8	DGZ		
		1	3, 7	L	12, 15, 16	EX8	DGZ		
13	05120786AA	1	2, 6	L	01, 02, 06	EX8	DGZ		CONNECTOR
		1	2, 6	L	51, 52, 54, 55, 56	EX8	DGZ		
		1	3, 7	L	02, 06	EX8	DGZ		
		1	3, 7	L	12, 15, 16	EX8	DGZ		
		1	2, 6	L	11, 12, 14, 15, 16	EX8	DGZ		



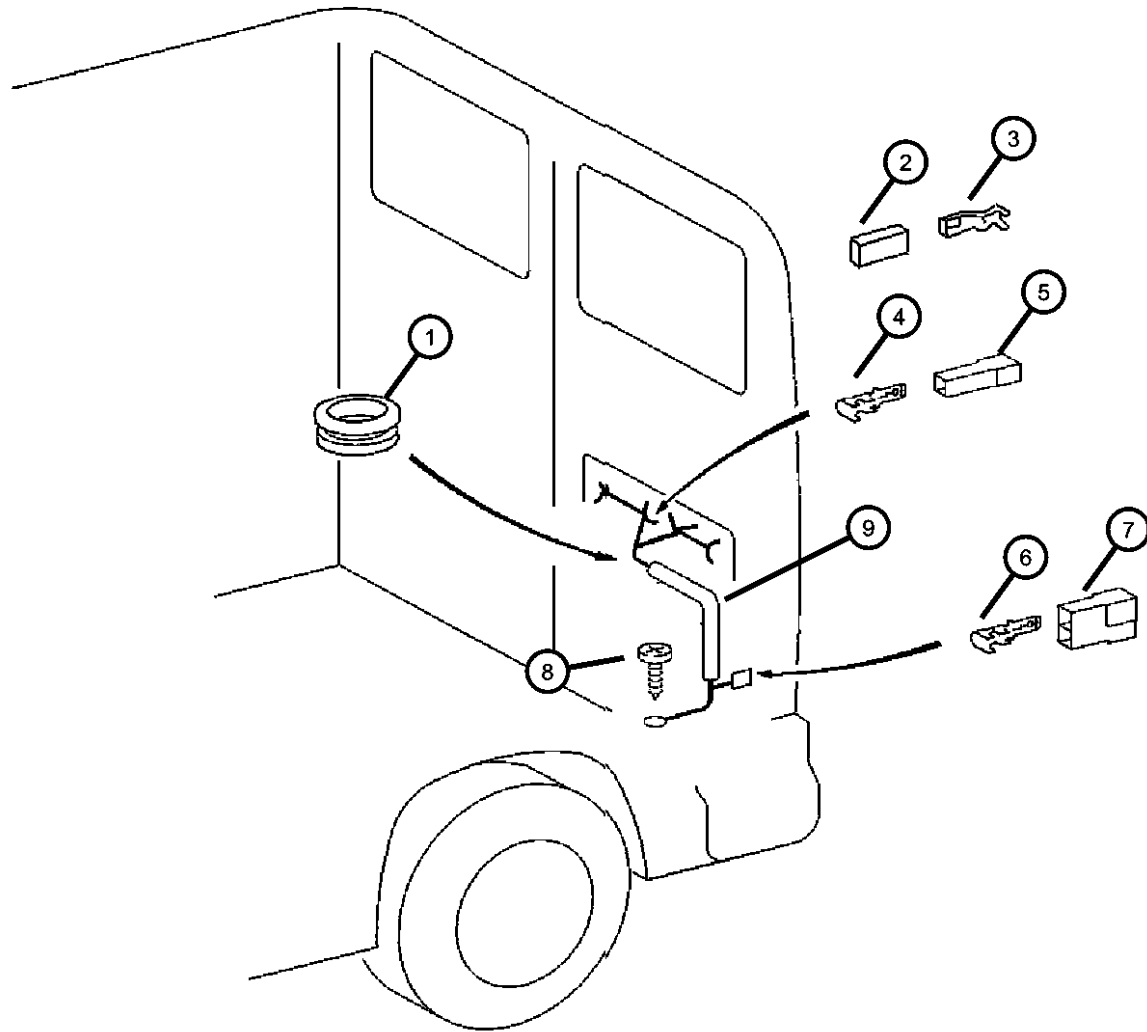
SPRINTER (VA)

SERIES	LINE	BODY	ENGINE	TRANSMISSION
L = LOWLINE	3 = HD DODGE 2WD 8 = HD DODGE 4WD 6 = Lt. Duty DODGE 4WD 2 = Med. Duty DODGE 2WD 7 = Med. Duty DODGE 4WD 4 = TRUCK	01 = CHASSIS FORWARD CONTROL W.B.1 02 = CAB CHASSIS WHEEL BASE 2 06 = CAB CHASSIS WHEEL BASE 6 11 = VAN WHEEL BASE 1 12 = VAN WHEEL BASE 2 51 = WAGON WHEEL BASE 1 52 = WAGON WHEEL BASE 2 14 = VAN WHEEL BASE 4 15 = VAN WHEEL BASE 5 54 = WAGON WHEEL BASE 4 55 = WAGON WHEEL BASE 5 56 = WAGON WHEEL BASE 6 16 = VAN WHEEL BASE 6	EX8 = 2.7L I5 Turbo Diesel Engine EX9 = 2.7L I5 Mercedes-Benz TD Engine	DGJ = 5-Speed Automatic MB Transmission DGZ = 4-Spd. Automatic MT643 Transmission

AR = use ase required - = Non illustrated part

**Connectors Rear Doors
Figure 8-1625**

ITEM	PART NUMBER	QTY	LINE	SERIES	BODY	ENGINE	TRANS	TRIM	DESCRIPTION
NOTE:Rear Door Wiring May Need To Be Adapted Or Modified									
1	05125931AA	2	2, 6	L	11, 12, 14, 15, 16	EX8	DGZ		GROMMET Wiring Protector
		2	2, 6	L	51, 52, 54, 55, 56	EX8	DGZ		Wiring Protector
		2	3, 7	L	12, 15, 16	EX8	DGZ		Wiring Protector
2	05120684AA	1	2, 6	L	11, 12, 14, 15, 16	EX8	DGZ		CONNECTOR With [GFA]
		1	2, 6	L	51, 52, 54, 55, 56	EX8	DGZ		With [GFA]
		1	3, 7	L	12, 15, 16	EX8	DGZ		With [GFA]
3	05114451AA	2	2, 6	L	11, 12, 14, 15, 16	EX8	DGZ		TERMINAL, Female With [GFA]
		2	2, 6	L	51, 52, 54, 55, 56	EX8	DGZ		With [GFA]
		2	3, 7	L	12, 15, 16	EX8	DGZ		With [GFA]
4	05103798AA	AR	3, 7	L	12, 15, 16	EX8	DGZ		TERMINAL, Male With [GFA]
		AR	2, 6	L	51, 52, 54, 55, 56	EX8	DGZ		With [GFA]
		AR	2, 6	L	11, 12, 14, 15, 16	EX8	DGZ		With [GFA]
5	05120685AA	2	2, 6	L	11, 12, 14, 15, 16	EX8	DGZ		INSULATOR With [GFA + JPB]
		2	2, 6	L	51, 52, 54, 55, 56	EX8	DGZ		With [GFA + JPB]
		2	3, 7	L	12, 15, 16	EX8	DGZ		With [GFA + JPB]
6	05103798AA	AR	3, 7	L	12, 15, 16	EX8	DGZ		TERMINAL, Male With [GFA]

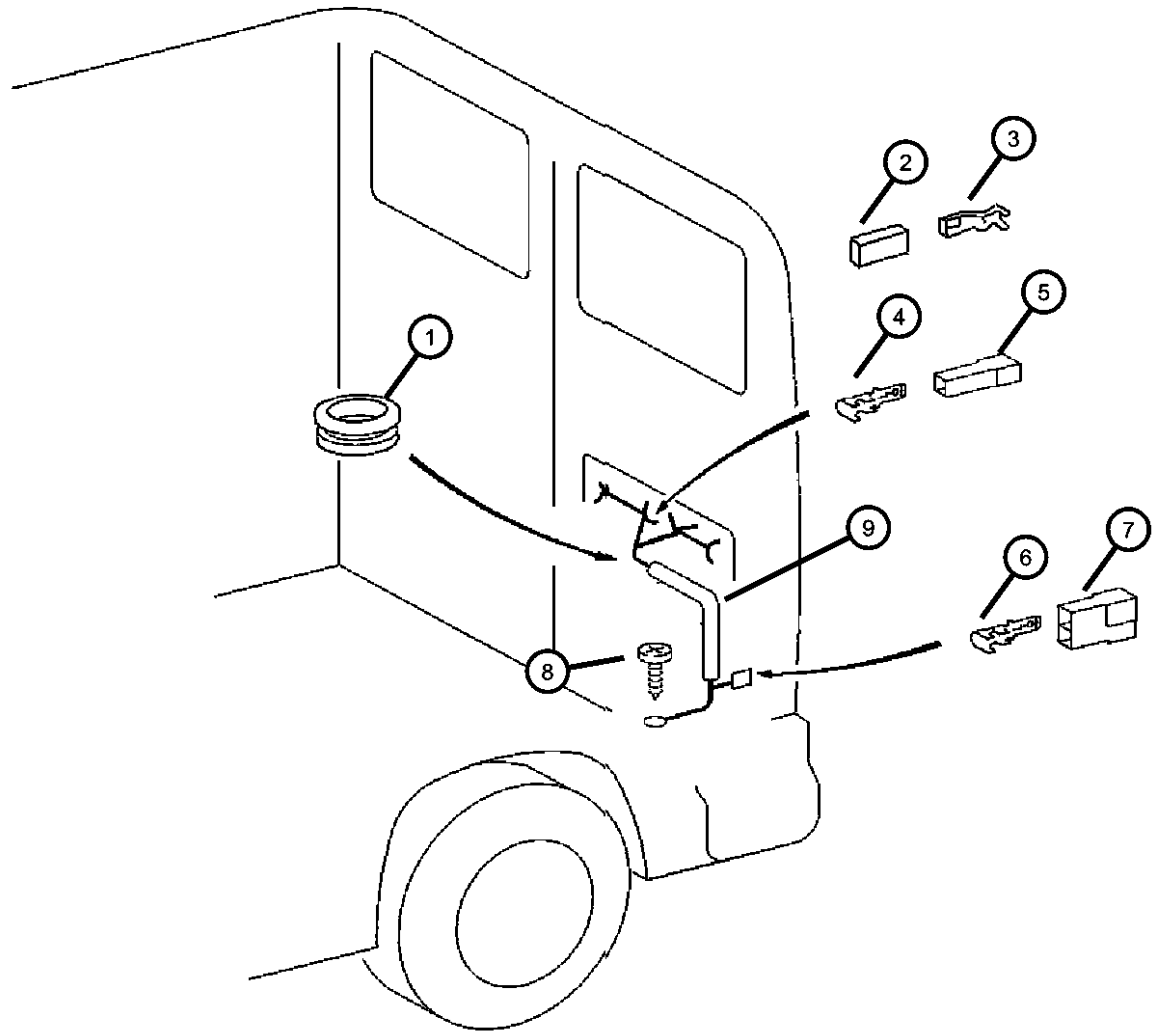


SPRINTER (VA)

SERIES	LINE	BODY	ENGINE	TRANSMISSION
L = LOWLINE	3 = HD DODGE 2WD 8 = HD DODGE 4WD 6 = Lt. Duty DODGE 4WD 2 = Med. Duty DODGE 2WD 7 = Med. Duty DODGE 4WD 4 = TRUCK	01 = CHASSIS FORWARD CONTROL W.B.1 02 = CAB CHASSIS WHEEL BASE 2 06 = CAB CHASSIS WHEEL BASE 6 11 = VAN WHEEL BASE 1 12 = VAN WHEEL BASE 2 51 = WAGON WHEEL BASE 1 52 = WAGON WHEEL BASE 2 14 = VAN WHEEL BASE 4 15 = VAN WHEEL BASE 5 54 = WAGON WHEEL BASE 4 55 = WAGON WHEEL BASE 5 56 = WAGON WHEEL BASE 6 16 = VAN WHEEL BASE 6	EX8 = 2.7L I5 Turbo Diesel Engine EX9 = 2.7L I5 Mercedes-Benz TD Engine	DGJ = 5-Speed Automatic MB Transmission DGZ = 4-Spd. Automatic MT643 Transmission

AR = use ase required - = Non illustrated part

**Connectors Rear Doors
Figure 8-1625**



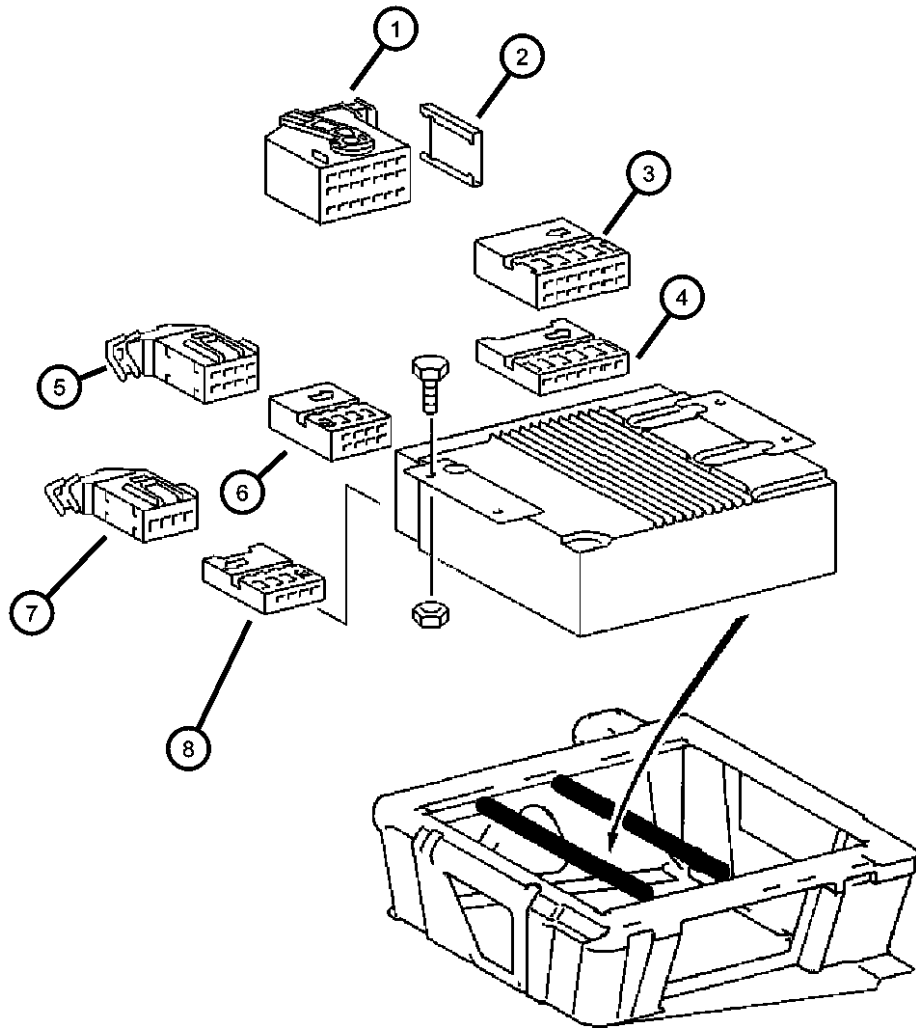
ITEM	PART NUMBER	QTY	LINE	SERIES	BODY	ENGINE	TRANS	TRIM	DESCRIPTION
		AR	2, 6	L	51, 52, 54, 55, 56	EX8	DGZ		With [GFA]
		AR	2, 6	L	11, 12, 14, 15, 16	EX8	DGZ		With [GFA]
7	05103751AA	1	2, 6	L	11, 12, 14, 15, 16	EX8	DGZ		CONNECTOR With [GFA]
		1	2, 6	L	51, 52, 54, 55, 56	EX8	DGZ		With [GFA]
		1	3, 7	L	12, 15, 16	EX8	DGZ		With [GFA]
8	05132835AA	1	2, 6	L	11, 12, 14, 15, 16				SCREW, Tapping Mounting, Screw Tapping
		1	2, 6	L	51, 52, 54, 55, 56				Mounting, Screw Tapping
		1	3, 7	L	12, 15, 16				Mounting, Screw Tapping
9	05129584AA	1	2, 6	L	11, 12, 14, 15, 16	EX8	DGZ		WIRING, Rear Door With [GFA] & Without [GFA] See Note
		1	2, 6	L	51, 52, 54, 55, 56	EX8	DGZ		With [GFA] & Without [GFA] See Note
		1	3, 7	L	12, 15, 16	EX8	DGZ		With [GFA] & Without [GFA] See Note

SPRINTER (VA)

SERIES	LINE	BODY	ENGINE	TRANSMISSION
L = LOWLINE	3 = HD DODGE 2WD 8 = HD DODGE 4WD 6 = Lt. Duty DODGE 4WD 2 = Med. Duty DODGE 2WD 7 = Med. Duty DODGE 4WD 4 = TRUCK	01 = CHASSIS FORWARD CONTROL W.B.1 02 = CAB CHASSIS WHEEL BASE 2 06 = CAB CHASSIS WHEEL BASE 6 11 = VAN WHEEL BASE 1 12 = VAN WHEEL BASE 2 51 = WAGON WHEEL BASE 1 52 = WAGON WHEEL BASE 2 14 = VAN WHEEL BASE 4 15 = VAN WHEEL BASE 5 54 = WAGON WHEEL BASE 4 55 = WAGON WHEEL BASE 5 56 = WAGON WHEEL BASE 6 16 = VAN WHEEL BASE 6	EX8 = 2.7L I5 Turbo Diesel Engine EX9 = 2.7L I5 Mercedes-Benz TD Engine	DGJ = 5-Speed Automatic MB Transmission DGZ = 4-Spd. Automatic MT643 Transmission

AR = use ase required - = Non illustrated part

Connectors Seating Area
Figure 8-1630



ITEM	PART NUMBER	QTY	LINE	SERIES	BODY	ENGINE	TRANS	TRIM	DESCRIPTION
1	05102941AA	1	2, 6	L	01, 02, 06	EX8	DGZ		INSULATOR
		1	2, 6	L	11, 12, 14, 15, 16	EX8	DGZ		
		1	2, 6	L	51, 52, 54, 55, 56	EX8	DGZ		
		1	3, 7	L	12, 15, 16	EX8	DGZ		
		1	3, 7	L	02, 06	EX8	DGZ		
2	05102945AA	1	2, 6	L	01, 02, 06	EX8	DGZ		COVER
		1	2, 6	L	11, 12, 14, 15, 16	EX8	DGZ		
		1	2, 6	L	51, 52, 54, 55, 56	EX8	DGZ		
		1	3, 7	L	02, 06	EX8	DGZ		
		1	3, 7	L	12, 15, 16	EX8	DGZ		
3	05102943AA	1	2, 6	L	01, 02, 06	EX8	DGZ		CONNECTOR
		1	2, 6	L	11, 12, 14, 15, 16	EX8	DGZ		
		1	2, 6	L	51, 52, 54, 55, 56	EX8	DGZ		
		1	3, 7	L	02, 06	EX8	DGZ		
		1	3, 7	L	12, 15, 16	EX8	DGZ		
4	05102944AA	1	2, 6	L	01, 02, 06	EX8	DGZ		CONNECTOR, 7 Way
		1	2, 6	L	11, 12, 14, 15, 16	EX8	DGZ		
		1	2, 6	L	51, 52, 54, 55, 56	EX8	DGZ		
		1	3, 7	L	02, 06	EX8	DGZ		
		1	3, 7	L	12, 15, 16	EX8	DGZ		

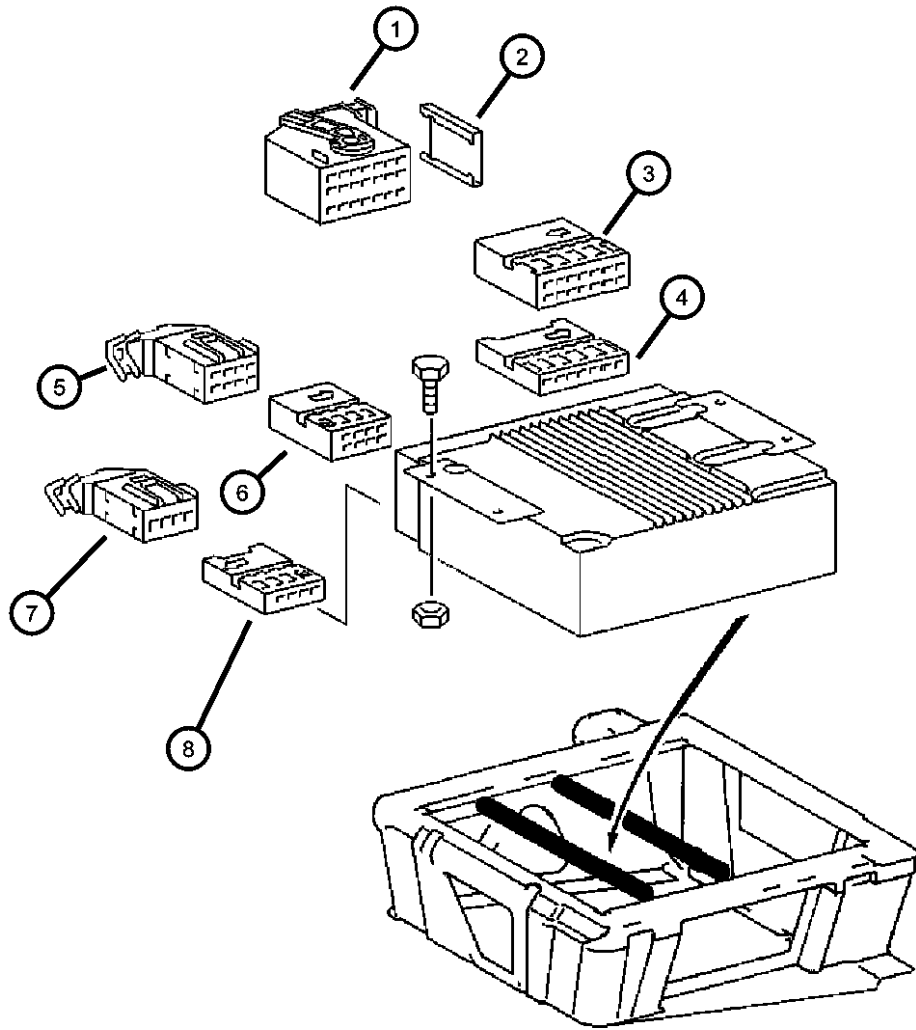
SPRINTER (VA)

SERIES	LINE	BODY	ENGINE	TRANSMISSION
L = LOWLINE	3 = HD DODGE 2WD 8 = HD DODGE 4WD 6 = Lt. Duty DODGE 4WD 2 = Med. Duty DODGE 2WD 7 = Med. Duty DODGE 4WD 4 = TRUCK	01 = CHASSIS FORWARD CONTROL W.B.1 02 = CAB CHASSIS WHEEL BASE 2 06 = CAB CHASSIS WHEEL BASE 6 11 = VAN WHEEL BASE 1 12 = VAN WHEEL BASE 2 51 = WAGON WHEEL BASE 1 52 = WAGON WHEEL BASE 2 14 = VAN WHEEL BASE 4 15 = VAN WHEEL BASE 5 54 = WAGON WHEEL BASE 4 55 = WAGON WHEEL BASE 5 56 = WAGON WHEEL BASE 6 16 = VAN WHEEL BASE 6	EX8 = 2.7L I5 Turbo Diesel Engine EX9 = 2.7L I5 Mercedes-Benz TD Engine	DGJ = 5-Speed Automatic MB Transmission DGZ = 4-Spd. Automatic MT643 Transmission

AR = use ase required - = Non illustrated part

Connectors Seating Area
Figure 8-1630

ITEM	PART NUMBER	QTY	LINE	SERIES	BODY	ENGINE	TRANS	TRIM	DESCRIPTION
5	05133339AA	1	2, 6	L	01, 02, 06	EX8	DGZ		INSULATOR, 8 Way
		1	2, 6	L	11, 12, 14, 15, 16	EX8	DGZ		
		1	2, 6	L	51, 52, 54, 55, 56	EX8	DGZ		
		1	3, 7	L	02, 06	EX8	DGZ		
		1	3, 7	L	12, 15, 16	EX8	DGZ		
6	05133340AA	1	2, 6	L	01, 02, 06	EX8	DGZ		INSULATOR, 8 Way
		1	2, 6	L	11, 12, 14, 15, 16	EX8	DGZ		
		1	2, 6	L	51, 52, 54, 55, 56	EX8	DGZ		
		1	3, 7	L	02, 06	EX8	DGZ		
		1	3, 7	L	12, 15, 16	EX8	DGZ		
7	05133342AA	1	2, 6	L	01, 02, 06	EX8	DGZ		INSULATOR, 8 Way
		1	2, 6	L	11, 12, 14, 15, 16	EX8	DGZ		
		1	2, 6	L	51, 52, 54, 55, 56	EX8	DGZ		
		1	3, 7	L	02, 06	EX8	DGZ		
		1	3, 7	L	12, 15, 16	EX8	DGZ		
8	05133341AA	1	2, 6	L	01, 02, 06	EX8	DGZ		INSULATOR, 8 Way
		1	2, 6	L	11, 12, 14, 15, 16	EX8	DGZ		
		1	2, 6	L	51, 52, 54, 55, 56	EX8	DGZ		
		1	3, 7	L	02, 06	EX8	DGZ		
		1	3, 7	L	12, 15, 16	EX8	DGZ		

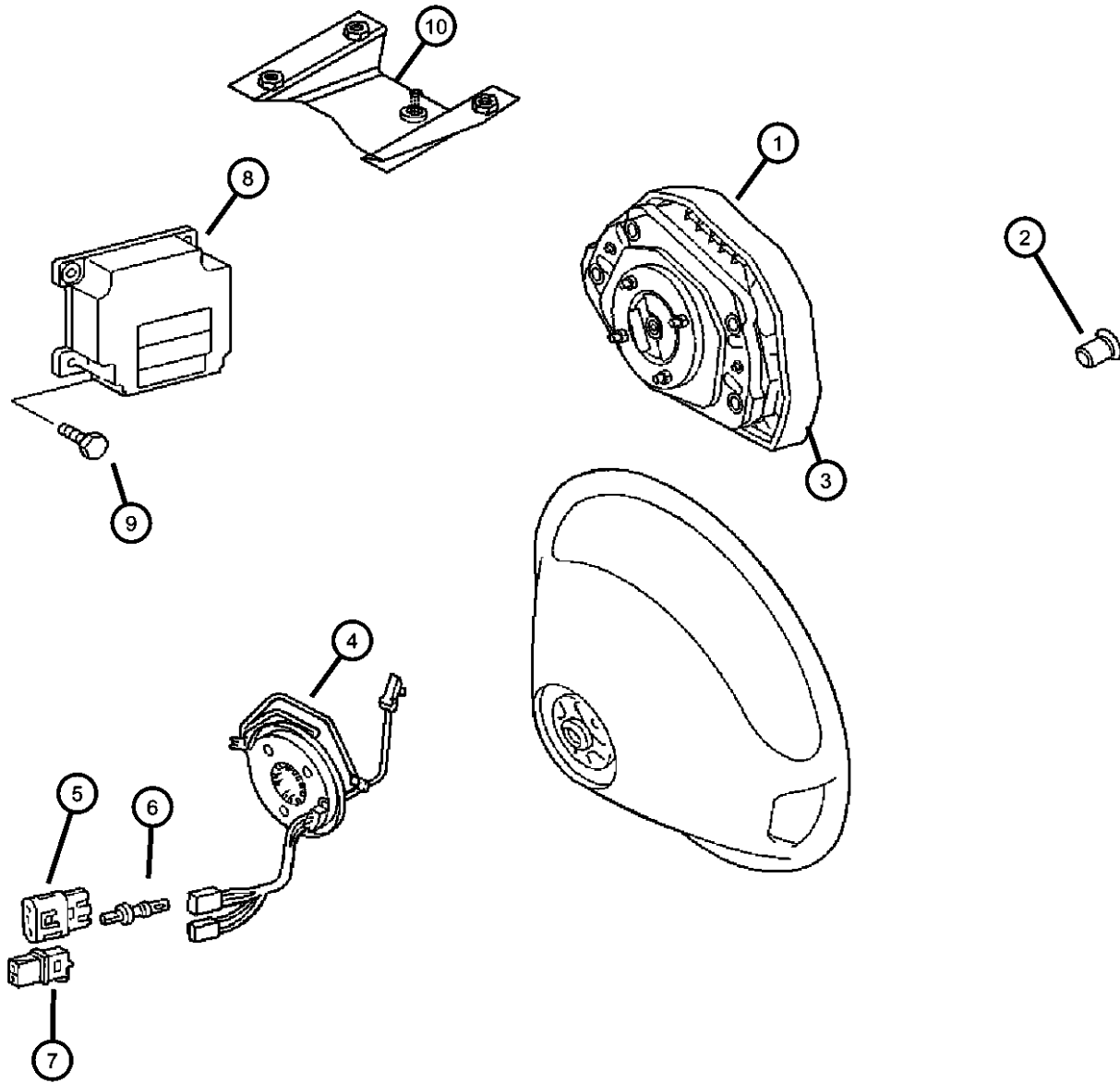


SPRINTER (VA)

SERIES	LINE	BODY	ENGINE	TRANSMISSION
L = LOWLINE	3 = HD DODGE 2WD 8 = HD DODGE 4WD 6 = Lt. Duty DODGE 4WD 2 = Med. Duty DODGE 2WD 7 = Med. Duty DODGE 4WD 4 = TRUCK	01 = CHASSIS FORWARD CONTROL W.B.1 02 = CAB CHASSIS WHEEL BASE 2 06 = CAB CHASSIS WHEEL BASE 6 11 = VAN WHEEL BASE 1 12 = VAN WHEEL BASE 2 51 = WAGON WHEEL BASE 1 52 = WAGON WHEEL BASE 2 14 = VAN WHEEL BASE 4 15 = VAN WHEEL BASE 5 54 = WAGON WHEEL BASE 4 55 = WAGON WHEEL BASE 5 56 = WAGON WHEEL BASE 6 16 = VAN WHEEL BASE 6	EX8 = 2.7L I5 Turbo Diesel Engine EX9 = 2.7L I5 Mercedes-Benz TD Engine	DGJ = 5-Speed Automatic MB Transmission DGZ = 4-Spd. Automatic MT643 Transmission

AR = use ase required - = Non illustrated part

**Air Bag System Drivers Side
Figure 8-1705**



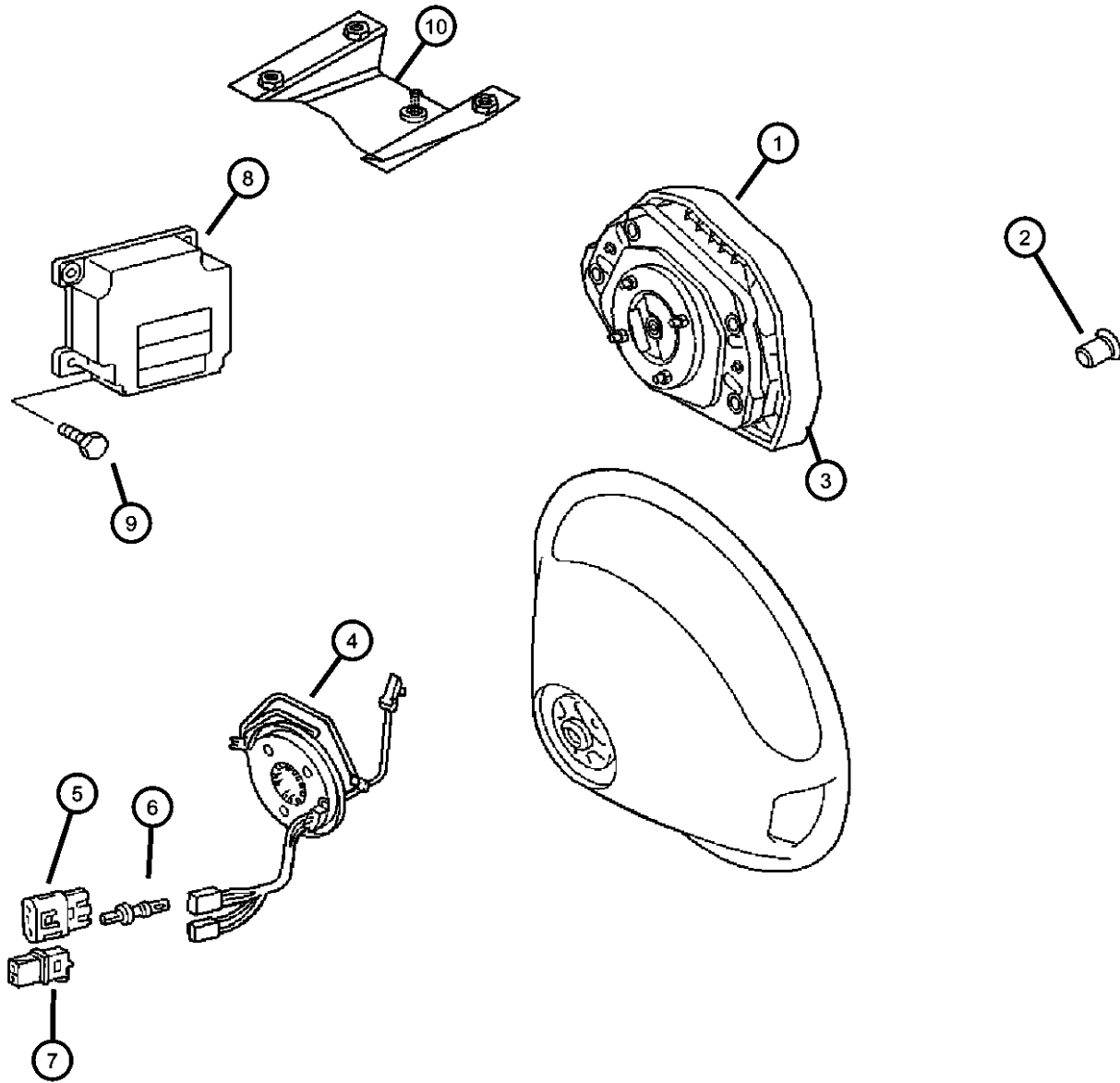
ITEM	PART NUMBER	QTY	LINE	SERIES	BODY	ENGINE	TRANS	TRIM	DESCRIPTION
1									AIR BAG, Driver
	05119529AA	1	2	L	01, 02, 06	EX8	DGZ		Dodge emblem
		1	2	L	11, 12, 14, 15, 16	EX8	DGZ		Dodge emblem
		1	3	L	02, 06	EX8	DGZ		Dodge emblem
		1	3	L	12, 15, 16	EX8	DGZ		Dodge emblem
	1AR08CSSAA	1	6	L	01, 02, 06	EX8	DGZ		Freightliner emblem
		1	6	L	11, 12, 14, 15, 16	EX8	DGZ		Freightliner emblem
		1	6	L	51, 52, 54, 55, 56	EX8	DGZ		Freightliner emblem
		1	7	L	02, 06	EX8	DGZ		Freightliner emblem
		1	7	L	12, 15, 16	EX8	DGZ		Freightliner emblem
		1	2	L	51, 52, 54, 55, 56	EX8	DGZ		Dodge emblem
2									SCREW
	05103604AA	1	2, 6	L	01, 02, 06	EX8	DGZ		
		1	3, 7	L	02, 06	EX8	DGZ		
		1	3, 7	L	12, 15, 16	EX8	DGZ		
		1	2, 6	L	11, 12, 14, 15, 16	EX8	DGZ		
		1	2, 6	L	51, 52, 54, 55, 56	EX8	DGZ		
3		1							COVER, Steering Wheel, (NOT SERVICED)
4									CLOCKSPRING
	05104089AA	1	2, 6	L	01, 02, 06	EX8	DGZ		
		1	2, 6	L	11, 12, 14, 15, 16	EX8	DGZ		
		1	2, 6	L	51, 52, 54, 55, 56	EX8	DGZ		
		1	3, 7	L	02, 06	EX8	DGZ		
		1	3, 7	L	12, 15, 16	EX8	DGZ		

SPRINTER (VA)

SERIES	LINE	BODY	ENGINE	TRANSMISSION
L = LOWLINE	3 = HD DODGE 2WD	01 = CHASSIS FORWARD CONTROL W.B.1	EX8 = 2.7L I5 Turbo Diesel Engine	DGJ = 5-Speed Automatic MB Transmission
	8 = HD DODGE 4WD	02 = CAB CHASSIS WHEEL BASE 2	EX9 = 2.7L I5 Mercedes-Benz TD Engine	DGZ = 4-Spd. Automatic MT643 Transmission
	6 = Lt. Duty DODGE 4WD	06 = CAB CHASSIS WHEEL BASE 6		
	2 = Med. Duty DODGE 2WD	11 = VAN WHEEL BASE 1		
	7 = Med. Duty DODGE 4WD	12 = VAN WHEEL BASE 2		
	4 = TRUCK	51 = WAGON WHEEL BASE 1		
		52 = WAGON WHEEL BASE 2		
		14 = VAN WHEEL BASE 4		
		15 = VAN WHEEL BASE 5		
		54 = WAGON WHEEL BASE 4		
		55 = WAGON WHEEL BASE 5		
		56 = WAGON WHEEL BASE 6		
		16 = VAN WHEEL BASE 6		

AR = use ase required - = Non illustrated part

**Air Bag System Drivers Side
Figure 8-1705**



ITEM	PART NUMBER	QTY	LINE	SERIES	BODY	ENGINE	TRANS	TRIM	DESCRIPTION
5	05103904AA	1	2, 6	L	01, 02, 06	EX8	DGZ		CONNECTOR
		1	3, 7	L	12, 15, 16	EX8	DGZ		
		1	2, 6	L	11, 12, 14, 15, 16	EX8	DGZ		
		1	2, 6	L	51, 52, 54, 55, 56	EX8	DGZ		
		1	3, 7	L	02, 06	EX8	DGZ		
6	05103828AA	99	2, 6	L	01, 02, 06	EX8	DGZ		TERMINAL
		99	2, 6	L	11, 12, 14, 15, 16	EX8	DGZ		
		99	2, 6	L	51, 52, 54, 55, 56	EX8	DGZ		
		99	3, 7	L	02, 06	EX8	DGZ		
		99	3, 7	L	12, 15, 16	EX8	DGZ		
7	05103902AA	1	2, 6	L	01, 02, 06	EX8	DGZ		CONNECTOR
		1	2, 6	L	11, 12, 14, 15, 16	EX8	DGZ		
		1	2, 6	L	51, 52, 54, 55, 56	EX8	DGZ		
		1	3, 7	L	02, 06	EX8	DGZ		
		1	3, 7	L	12, 15, 16	EX8	DGZ		
8	05119435AA	1	3, 7	L	02, 06	EX8	DGZ		MODULE, Air Bag Control
		1	3, 7	L	12, 15, 16	EX8	DGZ		
		1	2, 6	L	01, 02, 06	EX8	DGZ		
		1	2, 6	L	11, 12, 14, 15, 16	EX8	DGZ		
		1	2, 6	L	51, 52, 54, 55, 56	EX8	DGZ		

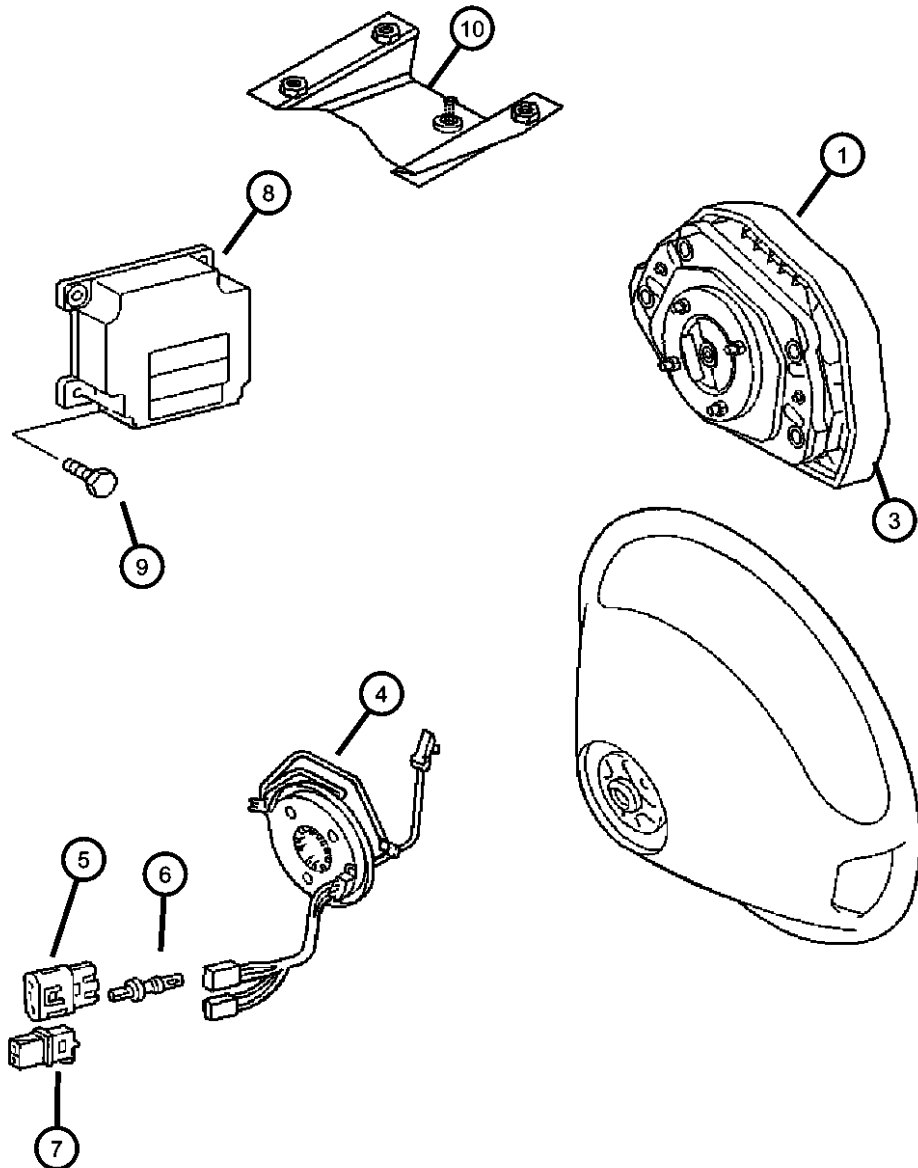
SPRINTER (VA)

SERIES	LINE	BODY	ENGINE	TRANSMISSION
L = LOWLINE	3 = HD DODGE 2WD 8 = HD DODGE 4WD 6 = Lt. Duty DODGE 4WD 2 = Med. Duty DODGE 2WD 7 = Med. Duty DODGE 4WD 4 = TRUCK	01 = CHASSIS FORWARD CONTROL W.B.1 02 = CAB CHASSIS WHEEL BASE 2 06 = CAB CHASSIS WHEEL BASE 6 11 = VAN WHEEL BASE 1 12 = VAN WHEEL BASE 2 51 = WAGON WHEEL BASE 1 52 = WAGON WHEEL BASE 2 14 = VAN WHEEL BASE 4 15 = VAN WHEEL BASE 5 54 = WAGON WHEEL BASE 4 55 = WAGON WHEEL BASE 5 56 = WAGON WHEEL BASE 6 16 = VAN WHEEL BASE 6	EX8 = 2.7L I5 Turbo Diesel Engine EX9 = 2.7L I5 Mercedes-Benz TD Engine	DGJ = 5-Speed Automatic MB Transmission DGZ = 4-Spd. Automatic MT643 Transmission

AR = use ase required - = Non illustrated part

2006 VA

**Air Bag System Drivers Side
Figure 8-1705**



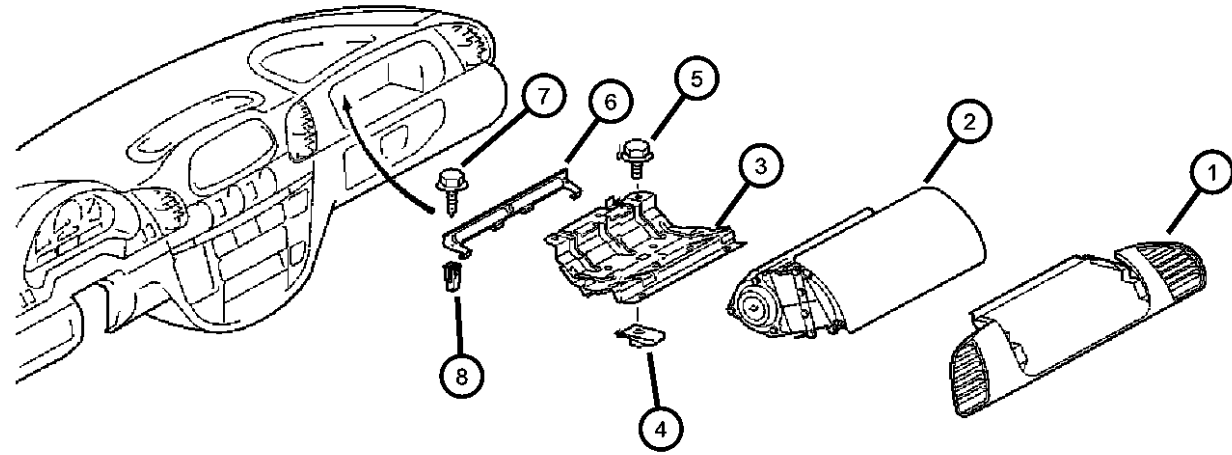
ITEM	PART NUMBER	QTY	LINE	SERIES	BODY	ENGINE	TRANS	TRIM	DESCRIPTION
9	06104005AA	2	2, 6	L	11, 12, 14, 15, 16	EX8	DGZ		SCREW
		2	2, 6	L	51, 52, 54, 55, 56	EX8	DGZ		
		3	2, 6	L	01, 02, 06	EX8	DGZ		
		2	3, 7	L	12, 15, 16	EX8	DGZ		
		3	3, 7	L	02, 06	EX8	DGZ		
10	05121455AA	1	2, 6	L	01, 02, 06	EX8	DGZ		BRACKET, Air Bag Control Module
		1	2, 6	L	11, 12, 14, 15, 16	EX8	DGZ		
		1	2, 6	L	51, 52, 54, 55, 56	EX8	DGZ		
		1	3, 7	L	02, 06	EX8	DGZ		
		1	3, 7	L	12, 15, 16	EX8	DGZ		

SPRINTER (VA)

SERIES	LINE	BODY	ENGINE	TRANSMISSION
L = LOWLINE	3 = HD DODGE 2WD 8 = HD DODGE 4WD 6 = Lt. Duty DODGE 4WD 2 = Med. Duty DODGE 2WD 7 = Med. Duty DODGE 4WD 4 = TRUCK	01 = CHASSIS FORWARD CONTROL W.B.1 02 = CAB CHASSIS WHEEL BASE 2 06 = CAB CHASSIS WHEEL BASE 6 11 = VAN WHEEL BASE 1 12 = VAN WHEEL BASE 2 51 = WAGON WHEEL BASE 1 52 = WAGON WHEEL BASE 2 14 = VAN WHEEL BASE 4 15 = VAN WHEEL BASE 5 54 = WAGON WHEEL BASE 4 55 = WAGON WHEEL BASE 5 56 = WAGON WHEEL BASE 6 16 = VAN WHEEL BASE 6	EX8 = 2.7L I5 Turbo Diesel Engine EX9 = 2.7L I5 Mercedes-Benz TD Engine	DGJ = 5-Speed Automatic MB Transmission DGZ = 4-Spd. Automatic MT643 Transmission

AR = use ase required - = Non illustrated part

**Air Bag System Passenger Side
Figure 8-1710**



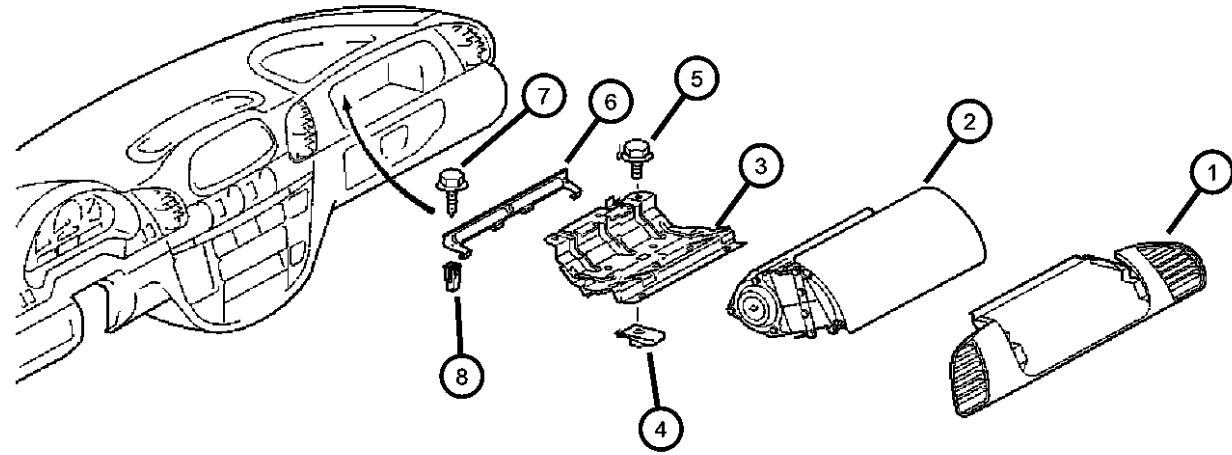
ITEM	PART NUMBER	QTY	LINE	SERIES	BODY	ENGINE	TRANS	TRIM	DESCRIPTION
1									DOOR, Passenger Air Bag
	05104261AA	1	2, 6	L	01, 02, 06	EX8	DGZ		
		1	2, 6	L	11, 12, 14, 15, 16	EX8	DGZ		
		1	2, 6	L	51, 52, 54, 55, 56	EX8	DGZ		
		1	3, 7	L	02, 06	EX8	DGZ		
		1	3, 7	L	12, 15, 16	EX8	DGZ		
2									AIR BAG, Passenger
	05124934AA	1	2, 6	L	01, 02, 06	EX8	DGZ		
		1	2, 6	L	11, 12, 14, 15, 16	EX8	DGZ		
		1	2, 6	L	51, 52, 54, 55, 56	EX8	DGZ		
		1	3, 7	L	02, 06	EX8	DGZ		
		1	3, 7	L	12, 15, 16	EX8	DGZ		
3									BRACKET, Air Bag
	05122938AA	1	2, 6	L	01, 02, 06	EX8	DGZ		
		1	2, 6	L	11, 12, 14, 15, 16	EX8	DGZ		
		1	2, 6	L	51, 52, 54, 55, 56	EX8	DGZ		
		1	3, 7	L	02, 06	EX8	DGZ		
		1	3, 7	L	12, 15, 16	EX8	DGZ		
4									NUT, Clip-On
	05133420AA	1	3, 7	L	02, 06	EX8	DGZ		
		1	3, 7	L	12, 15, 16	EX8	DGZ		
		2	2, 6	L	01, 02, 06	EX8	DGZ		
		2	2, 6	L	11, 12, 14, 15, 16	EX8	DGZ		
		2	2, 6	L	51, 52, 54, 55, 56	EX8	DGZ		

SPRINTER (VA)

SERIES	LINE	BODY	ENGINE	TRANSMISSION
L = LOWLINE	3 = HD DODGE 2WD 8 = HD DODGE 4WD 6 = Lt. Duty DODGE 4WD 2 = Med. Duty DODGE 2WD 7 = Med. Duty DODGE 4WD 4 = TRUCK	01 = CHASSIS FORWARD CONTROL W.B.1 02 = CAB CHASSIS WHEEL BASE 2 06 = CAB CHASSIS WHEEL BASE 6 11 = VAN WHEEL BASE 1 12 = VAN WHEEL BASE 2 51 = WAGON WHEEL BASE 1 52 = WAGON WHEEL BASE 2 14 = VAN WHEEL BASE 4 15 = VAN WHEEL BASE 5 54 = WAGON WHEEL BASE 4 55 = WAGON WHEEL BASE 5 56 = WAGON WHEEL BASE 6 16 = VAN WHEEL BASE 6	EX8 = 2.7L I5 Turbo Diesel Engine EX9 = 2.7L I5 Mercedes-Benz TD Engine	DGJ = 5-Speed Automatic MB Transmission DGZ = 4-Spd. Automatic MT643 Transmission

AR = use ase required - = Non illustrated part

**Air Bag System Passenger Side
Figure 8-1710**



ITEM	PART NUMBER	QTY	LINE	SERIES	BODY	ENGINE	TRANS	TRIM	DESCRIPTION
5									SCREW
	06104565AA	2	3, 7	L	12, 15, 16	EX8	DGZ		
		2	2, 6	L	01, 02, 06	EX8	DGZ		
		2	2, 6	L	11, 12, 14, 15, 16	EX8	DGZ		
		2	2, 6	L	51, 52, 54, 55, 56	EX8	DGZ		
		2	3, 7	L	02, 06	EX8	DGZ		
6									BRACKET, Instrument Panel
	05122388AA	1	2, 6	L	01, 02, 06	EX8			
		1	2, 6	L	11, 12, 14, 15, 16	EX8			
		1	2, 6	L	51, 52, 54, 55, 56	EX8			
		1	3, 7	L	02, 06	EX8			
		1	3, 7	L	12, 15, 16	EX8			
7		1							SCREW, (NOT SERVICED)
8									NUT, Plastic Snap-in
	05125576AA	2	2, 6	L	11, 12, 14, 15, 16	EX8	DGZ		
		2	2, 6	L	51, 52, 54, 55, 56	EX8	DGZ		
		2	2, 6	L	01, 02, 06	EX8	DGZ		
		2	3, 7	L	02, 06	EX8	DGZ		
		2	3, 7	L	12, 15, 16	EX8	DGZ		

SPRINTER (VA)

SERIES	LINE	BODY	ENGINE	TRANSMISSION
L = LOWLINE	3 = HD DODGE 2WD 8 = HD DODGE 4WD 6 = Lt. Duty DODGE 4WD 2 = Med. Duty DODGE 2WD 7 = Med. Duty DODGE 4WD 4 = TRUCK	01 = CHASSIS FORWARD CONTROL W.B.1 02 = CAB CHASSIS WHEEL BASE 2 06 = CAB CHASSIS WHEEL BASE 6 11 = VAN WHEEL BASE 1 12 = VAN WHEEL BASE 2 51 = WAGON WHEEL BASE 1 52 = WAGON WHEEL BASE 2 14 = VAN WHEEL BASE 4 15 = VAN WHEEL BASE 5 54 = WAGON WHEEL BASE 4 55 = WAGON WHEEL BASE 5 56 = WAGON WHEEL BASE 6 16 = VAN WHEEL BASE 6	EX8 = 2.7L I5 Turbo Diesel Engine EX9 = 2.7L I5 Mercedes-Benz TD Engine	DGJ = 5-Speed Automatic MB Transmission DGZ = 4-Spd. Automatic MT643 Transmission

AR = use ase required - = Non illustrated part

**Park Assist, Back up Detection System
Figure 8-1805**

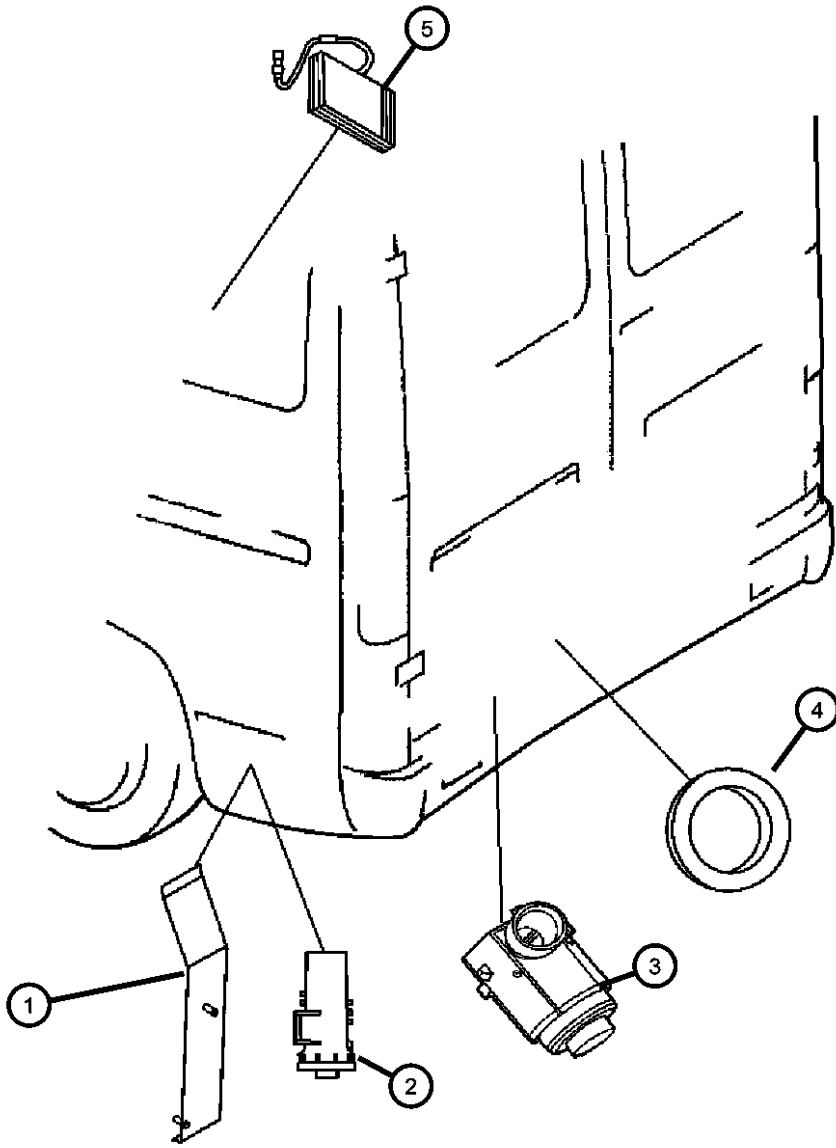
ITEM	PART NUMBER	QTY	LINE	SERIES	BODY	ENGINE	TRANS	TRIM	DESCRIPTION
1	05121731AA	1	2, 6	L	11, 12, 14, 15, 16	EX8	DGZ		BRACKET, Parktronics
		1	2, 6	L	51, 52, 54, 55, 56	EX8	DGZ		
		1	3, 7	L	12, 15, 16	EX8	DGZ		
2	05120828AA	1	2, 6	L	11, 12, 14, 15, 16	EX8	DGZ		MODULE, Parking Assist
		1	2, 6	L	51, 52, 54, 55, 56	EX8	DGZ		
		1	3, 7	L	12, 15, 16	EX8	DGZ		
3	05120341AA	4	2, 6	L	11, 12, 14, 15, 16	EX8	DGZ		SENSOR, Park Assist
		4	2, 6	L	51, 52, 54, 55, 56	EX8	DGZ		
		4	3, 7	L	12, 15, 16	EX8	DGZ		
4	05120375AA	4	2, 6	L	11, 12, 14, 15, 16	EX8	DGZ		SPACER, Sensor
		4	2, 6	L	51, 52, 54, 55, 56	EX8	DGZ		
		4	3, 7	L	12, 15, 16	EX8	DGZ		
5		4							DISPLAY, Parking Assist, AUDIOVOX SPECIALIZED APPLICATIONS, INC (ASA) 23319 COOPER DRIVE ELKHART, IN 48514 (219) 254-3135, (NOT SERVICED) ALARM
-6	05135946AA	1	2, 6	L	01, 02, 06	EX8	DGZ		
		1	2, 6	L	11, 12, 14, 15, 16	EX8	DGZ		

SPRINTER (VA)

SERIES	LINE	BODY	ENGINE	TRANSMISSION
L = LOWLINE	3 = HD DODGE 2WD 8 = HD DODGE 4WD 6 = Lt. Duty DODGE 4WD 2 = Med. Duty DODGE 2WD 7 = Med. Duty DODGE 4WD 4 = TRUCK	01 = CHASSIS FORWARD CONTROL W.B.1 02 = CAB CHASSIS WHEEL BASE 2 06 = CAB CHASSIS WHEEL BASE 6 11 = VAN WHEEL BASE 1 12 = VAN WHEEL BASE 2 51 = WAGON WHEEL BASE 1 52 = WAGON WHEEL BASE 2 14 = VAN WHEEL BASE 4 15 = VAN WHEEL BASE 5 54 = WAGON WHEEL BASE 4 55 = WAGON WHEEL BASE 5 56 = WAGON WHEEL BASE 6 16 = VAN WHEEL BASE 6	EX8 = 2.7L I5 Turbo Diesel Engine EX9 = 2.7L I5 Mercedes-Benz TD Engine	DGJ = 5-Speed Automatic MB Transmission DGZ = 4-Spd. Automatic MT643 Transmission

AR = use ase required - = Non illustrated part

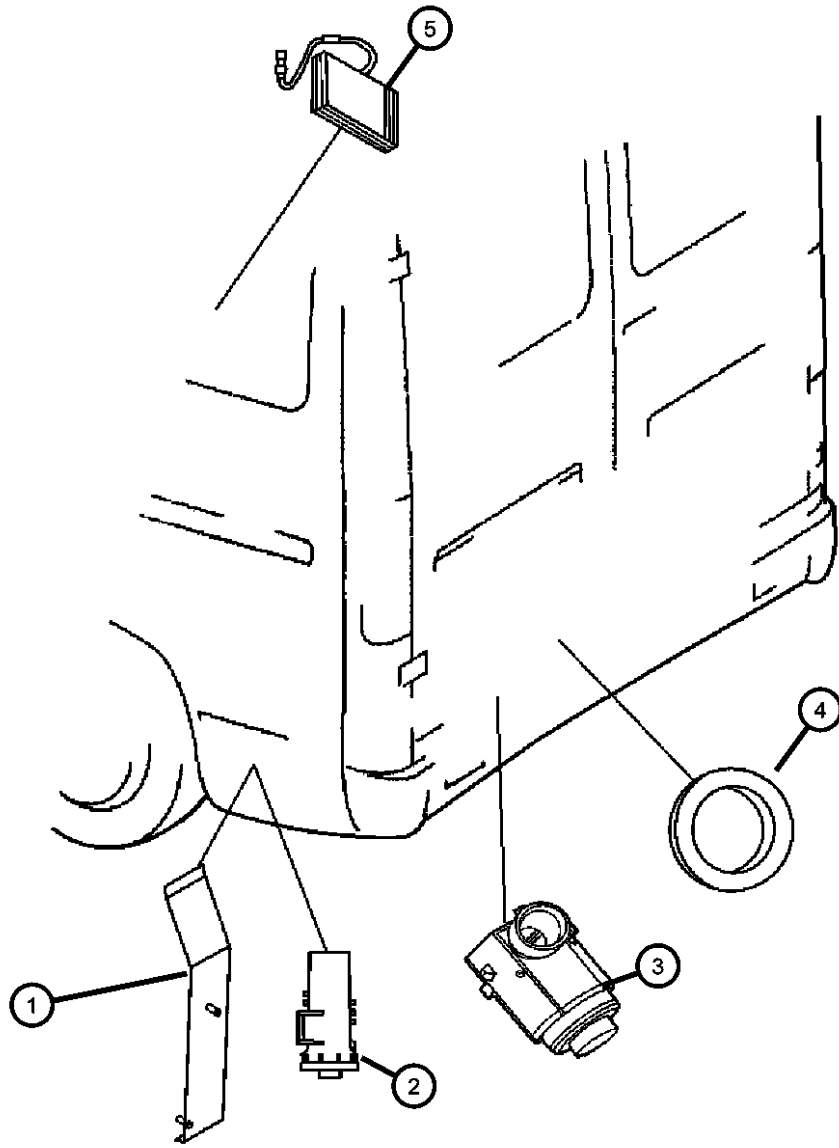
2006 VA



**Park Assist, Back up Detection System
Figure 8-1805**

ITEM	PART NUMBER	QTY	LINE	SERIES	BODY	ENGINE	TRANS	TRIM	DESCRIPTION
------	-------------	-----	------	--------	------	--------	-------	------	-------------

		1	2, 6	L	51, 52, 54, 55, 56	EX8	DGZ		
		1	3, 7	L	02, 06	EX8	DGZ		
		1	3, 7	L	12, 15, 16	EX8	DGZ		



SPRINTER (VA)

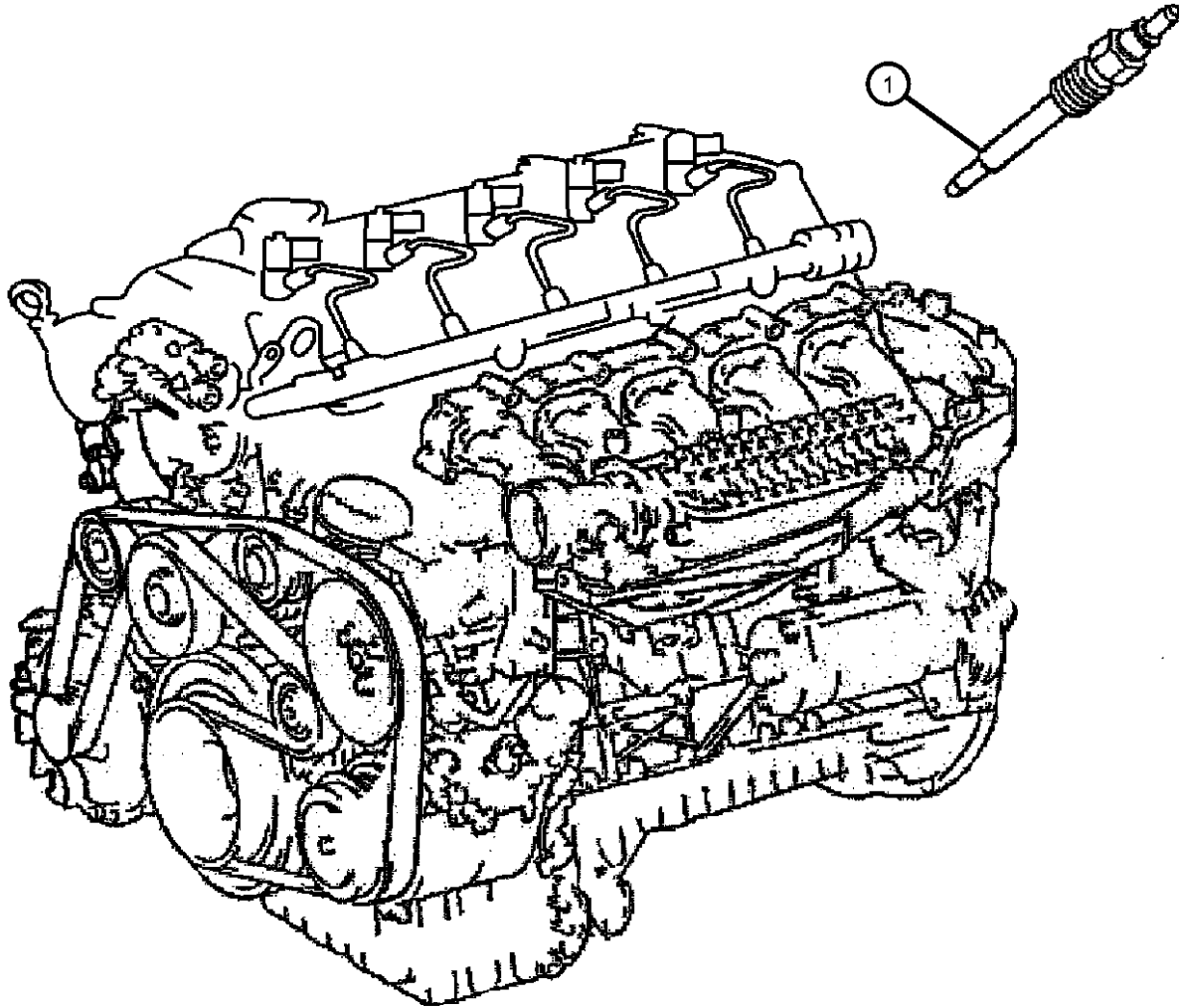
SERIES	LINE	BODY	ENGINE	TRANSMISSION
L = LOWLINE	3 = HD DODGE 2WD 8 = HD DODGE 4WD 6 = Lt. Duty DODGE 4WD 2 = Med. Duty DODGE 2WD 7 = Med. Duty DODGE 4WD 4 = TRUCK	01 = CHASSIS FORWARD CONTROL W.B.1 02 = CAB CHASSIS WHEEL BASE 2 06 = CAB CHASSIS WHEEL BASE 6 11 = VAN WHEEL BASE 1 12 = VAN WHEEL BASE 2 51 = WAGON WHEEL BASE 1 52 = WAGON WHEEL BASE 2 14 = VAN WHEEL BASE 4 15 = VAN WHEEL BASE 5 54 = WAGON WHEEL BASE 4 55 = WAGON WHEEL BASE 5 56 = WAGON WHEEL BASE 6 16 = VAN WHEEL BASE 6	EX8 = 2.7L I5 Turbo Diesel Engine EX9 = 2.7L I5 Mercedes-Benz TD Engine	DGJ = 5-Speed Automatic MB Transmission DGZ = 4-Spd. Automatic MT643 Transmission

AR = use ase required - = Non illustrated part

2006 VA

**Glow Plugs
Figure 8-1910**

ITEM	PART NUMBER	QTY	LINE	SERIES	BODY	ENGINE	TRANS	TRIM	DESCRIPTION
1	05117592AA	5	2, 3, 6, 7	L		EX8	DGZ		PLUG, Glow
-2	05170859AA	1	2, 6	L	01, 02, 06	EX8	DGZ		RELAY, Electrical
		1	2, 6	L	11, 12, 14, 15, 16	EX8	DGZ		
		1	2, 6	L	51, 52, 54, 55, 56	EX8	DGZ		
		1	3, 7	L	02, 06	EX8	DGZ		
		1	3, 7	L	12, 15, 16	EX8	DGZ		



SPRINTER (VA)

SERIES

L = LOWLINE

LINE

3 = HD DODGE 2WD
8 = HD DODGE 4WD
6 = Lt. Duty DODGE 4WD
2 = Med. Duty DODGE 2WD
7 = Med. Duty DODGE 4WD
4 = TRUCK

BODY

01 = CHASSIS FORWARD CONTROL W.B.1
02 = CAB CHASSIS WHEEL BASE 2
06 = CAB CHASSIS WHEEL BASE 6
11 = VAN WHEEL BASE 1
12 = VAN WHEEL BASE 2
51 = WAGON WHEEL BASE 1
52 = WAGON WHEEL BASE 2
14 = VAN WHEEL BASE 4
15 = VAN WHEEL BASE 5
54 = WAGON WHEEL BASE 4
55 = WAGON WHEEL BASE 5
56 = WAGON WHEEL BASE 6
16 = VAN WHEEL BASE 6

ENGINE

EX8 = 2.7L I5 Turbo Diesel Engine
EX9 = 2.7L I5 Mercedes-Benz TD Engine

TRANSMISSION

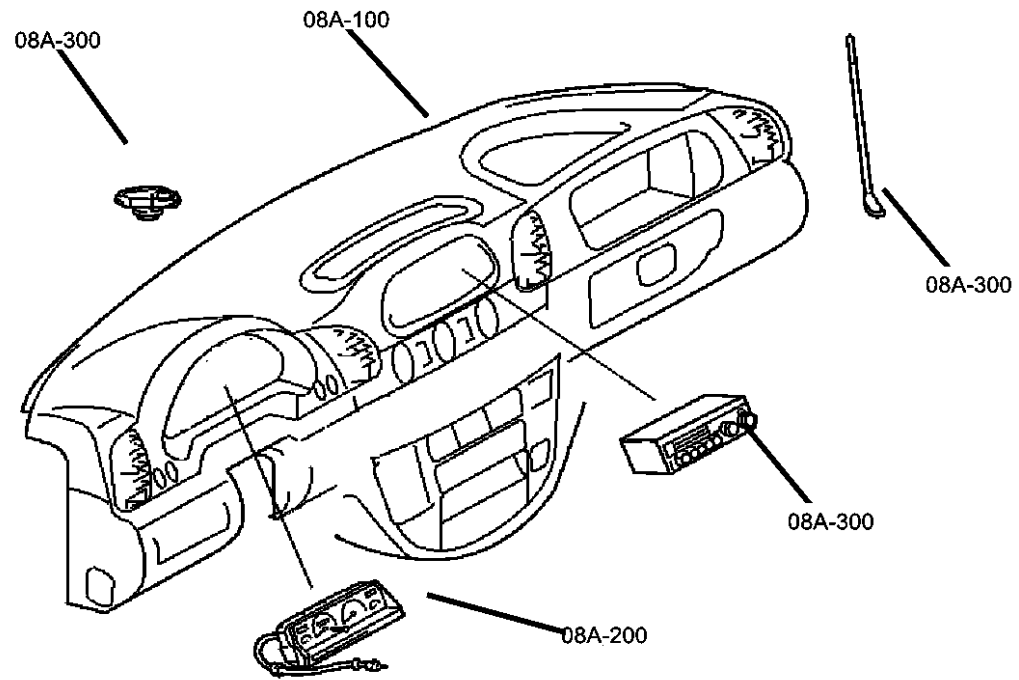
DGJ = 5-Speed Automatic MB Transmission
DGZ = 4-Spd. Automatic MT643 Transmission

AR = use ase required - = Non illustrated part

2006 VA

Group - 08A

Instrument Panel and Radios and Consoles



Group - 08A Instrument Panel and Radios and Consoles

Illustration Title

Group-Fig. No.

Instrument Panel

Instrument Panel	Fig. 08A - 105
Instrument Panel Bezel and Related Parts	Fig. 08A - 110
Ash Receiver and Glove Box	Fig. 08A - 115
Instrument Panel Cover and Related Parts	Fig. 08A - 120
Instrument Panel Reinforcement	Fig. 08A - 125

Instrument Panel Cluster

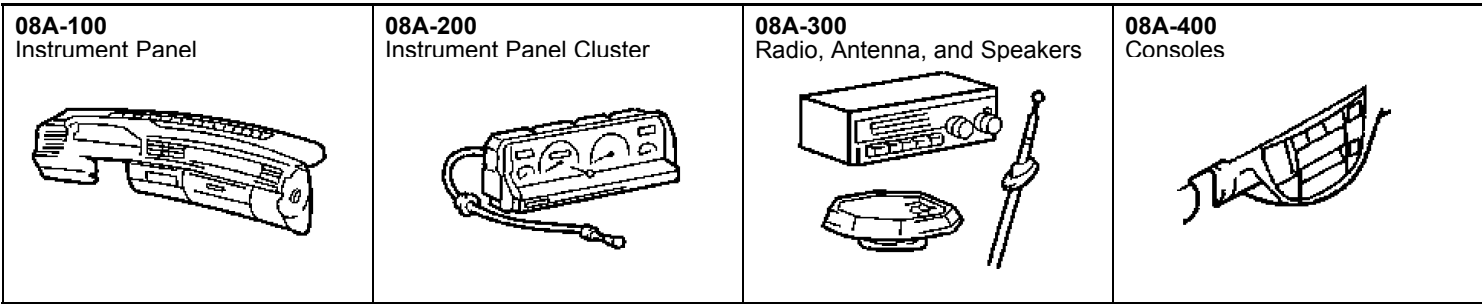
Instrument Panel Cluster	Fig. 08A - 205
--------------------------------	----------------

Radio, Antenna, and Speakers

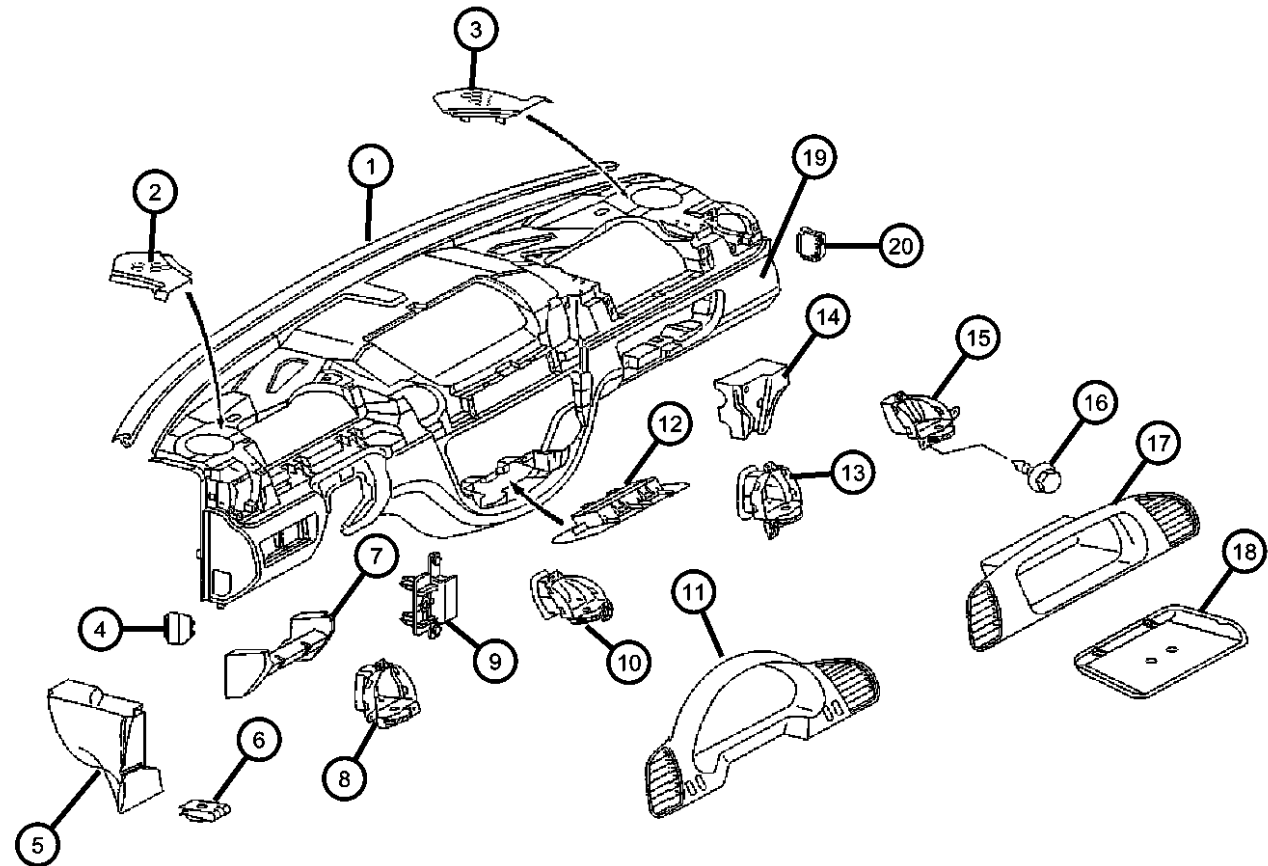
Radio	Fig. 08A - 305
Antenna	Fig. 08A - 310
Speakers	Fig. 08A - 315

Consoles

Console Cup Holder	Fig. 08A - 405
--------------------------	----------------



**Instrument Panel
Figure 08A-105**



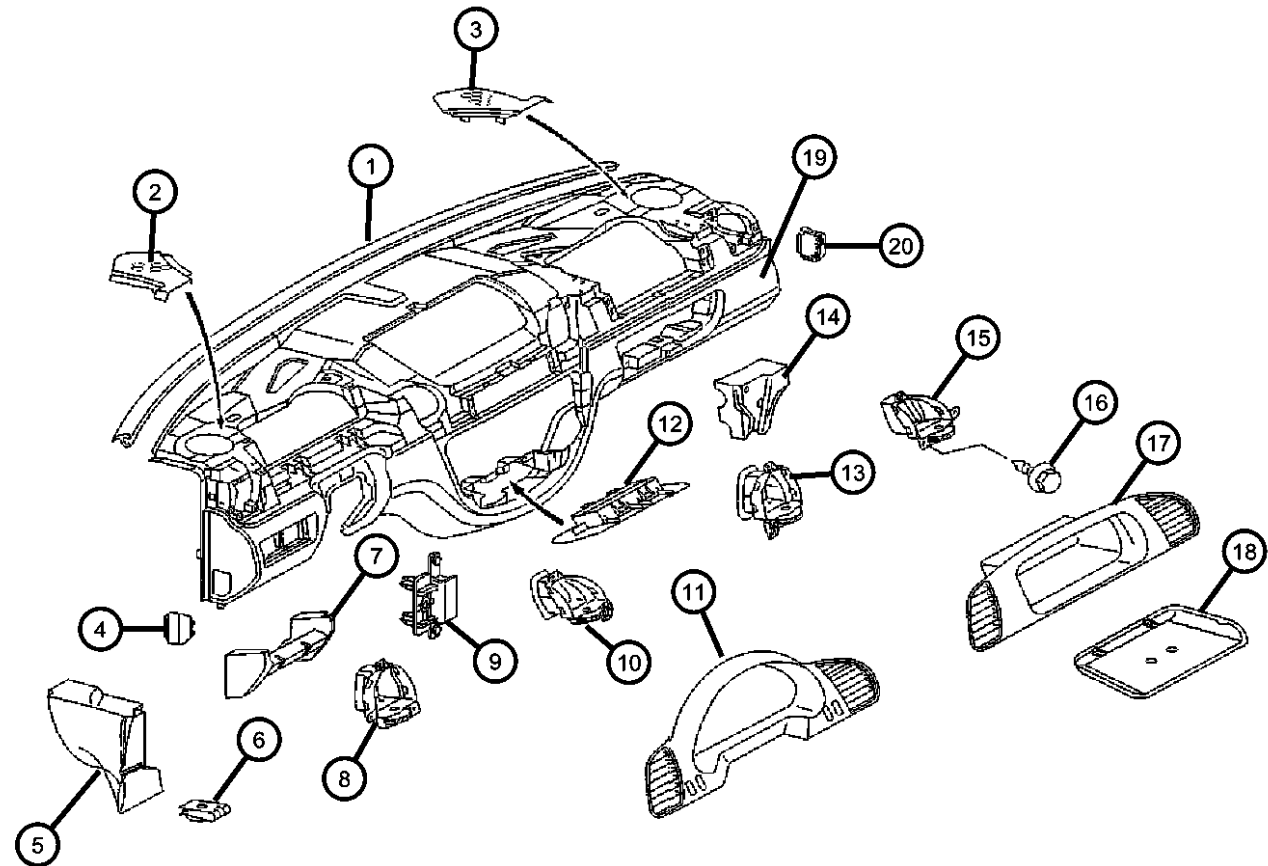
ITEM	PART NUMBER	QTY	LINE	SERIES	BODY	ENGINE	TRANS	TRIM	DESCRIPTION
1	05122955AA	1	2, 6	L	01, 02, 06	EX8	DGZ		SEAL, Windshield
		1	2, 6	L	11, 12, 14, 15, 16	EX8	DGZ		
		1	2, 6	L	51, 52, 54, 55, 56	EX8	DGZ		
		1	3, 7	L	02, 06	EX8	DGZ		
		1	3, 7	L	12, 15, 16	EX8	DGZ		
2	05104270AA	1	2, 6	L	01, 02, 06	EX8	DGZ		COVER, Speaker Opening
		1	2, 6	L	11, 12, 14, 15, 16	EX8	DGZ		
		1	2, 6	L	51, 52, 54, 55, 56	EX8	DGZ		
		1	3, 7	L	02, 06	EX8	DGZ		
		1	3, 7	L	12, 15, 16	EX8	DGZ		
3	05104269AA	1	2, 6	L	01, 02, 06	EX8	DGZ		COVER, Speaker Opening
		1	2, 6	L	11, 12, 14, 15, 16	EX8	DGZ		
		1	2, 6	L	51, 52, 54, 55, 56	EX8	DGZ		
		1	3, 7	L	02, 06	EX8	DGZ		
		1	3, 7	L	12, 15, 16	EX8	DGZ		
4	05103919AA	2	2, 6	L	01, 02, 06	EX8	DGZ		PLUG, Instrument Panel
		2	2, 6	L	11, 12, 14, 15, 16	EX8	DGZ		
		2	2, 6	L	51, 52, 54, 55, 56	EX8	DGZ		
		2	3, 7	L	02, 06	EX8	DGZ		
		2	3, 7	L	12, 15, 16	EX8	DGZ		

SPRINTER (VA)

SERIES	LINE	BODY	ENGINE	TRANSMISSION
L = LOWLINE	3 = HD DODGE 2WD 8 = HD DODGE 4WD 6 = Lt. Duty DODGE 4WD 2 = Med. Duty DODGE 2WD 7 = Med. Duty DODGE 4WD 4 = TRUCK	01 = CHASSIS FORWARD CONTROL W.B.1 02 = CAB CHASSIS WHEEL BASE 2 06 = CAB CHASSIS WHEEL BASE 6 11 = VAN WHEEL BASE 1 12 = VAN WHEEL BASE 2 51 = WAGON WHEEL BASE 1 52 = WAGON WHEEL BASE 2 14 = VAN WHEEL BASE 4 15 = VAN WHEEL BASE 5 54 = WAGON WHEEL BASE 4 55 = WAGON WHEEL BASE 5 56 = WAGON WHEEL BASE 6 16 = VAN WHEEL BASE 6	EX8 = 2.7L I5 Turbo Diesel Engine EX9 = 2.7L I5 Mercedes-Benz TD Engine	DGJ = 5-Speed Automatic MB Transmission DGZ = 4-Spd. Automatic MT643 Transmission

AR = use ase required - = Non illustrated part

**Instrument Panel
Figure 08A-105**



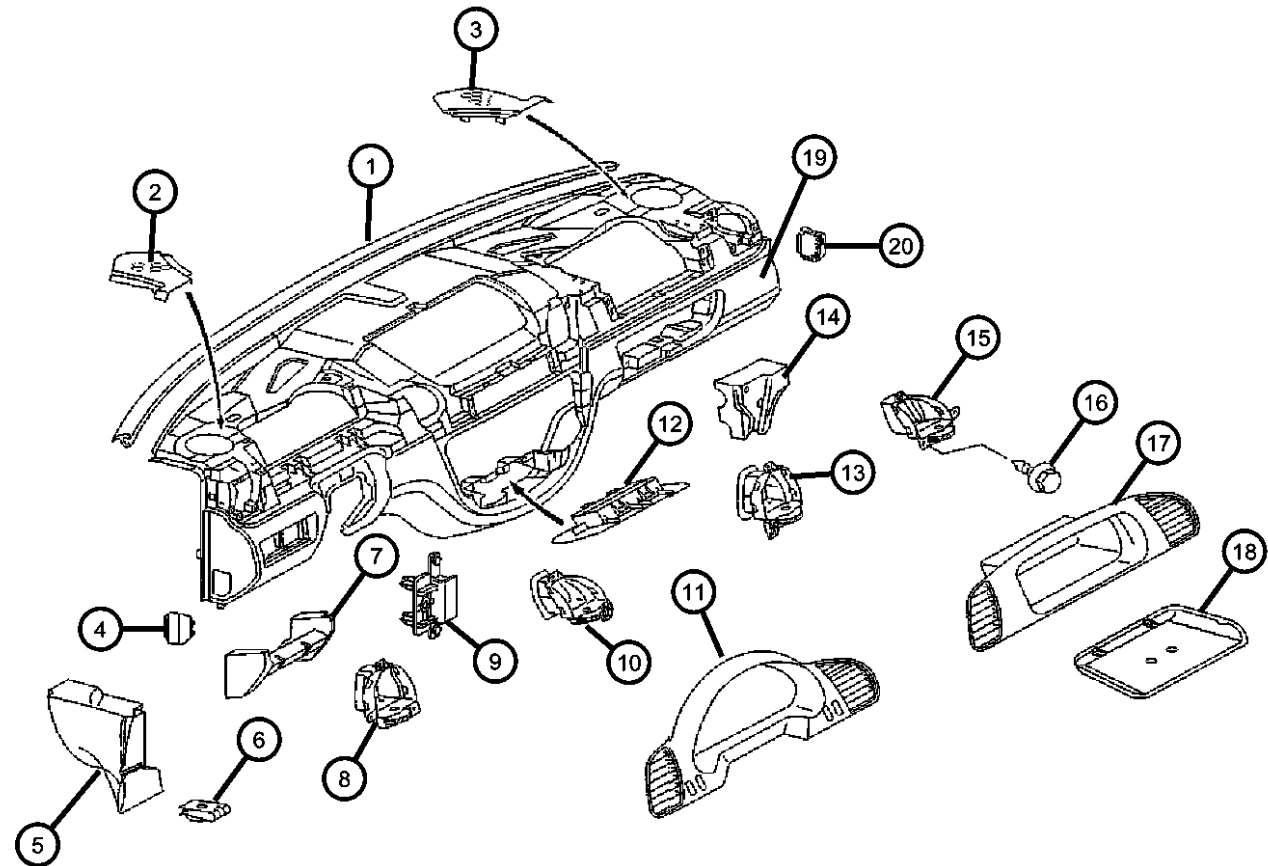
ITEM	PART NUMBER	QTY	LINE	SERIES	BODY	ENGINE	TRANS	TRIM	DESCRIPTION
5	05122934AA	1	2, 6	L	01, 02, 06	EX8	DGZ		END CAP, Instrument Panel
		1	2, 6	L	11, 12, 14, 15, 16	EX8	DGZ		
		1	2, 6	L	51, 52, 54, 55, 56	EX8	DGZ		
		1	3, 7	L	02, 06	EX8	DGZ		
		1	3, 7	L	12, 15, 16	EX8	DGZ		
6	05133416AA	99	2, 6	L	01, 02, 06	EX8	DGZ		NUT, Spring U Type
		99	2, 6	L	11, 12, 14, 15, 16	EX8	DGZ		
		99	2, 6	L	51, 52, 54, 55, 56	EX8	DGZ		
		4	3, 7	L	02, 06	EX8	DGZ		
		4	3, 7	L	12, 15, 16	EX8	DGZ		
7	05122933AA	1	2, 6	L	01, 02, 06	EX8	DGZ		PAD, Instrument Panel
		1	2, 6	L	11, 12, 14, 15, 16	EX8	DGZ		
		1	2, 6	L	51, 52, 54, 55, 56	EX8	DGZ		
		1	3, 7	L	02, 06	EX8	DGZ		
		1	3, 7	L	12, 15, 16	EX8	DGZ		
8	05104252AA	1	2, 6	L	01, 02, 06	EX8	DGZ		OUTLET, Air
		1	2, 6	L	11, 12, 14, 15, 16	EX8	DGZ		Cluster Bezel, Left
		1	2, 6	L	51, 52, 54, 55, 56	EX8	DGZ		Cluster Bezel, Left
		1	3, 7	L	02, 06	EX8	DGZ		Cluster Bezel, Left
		1	3, 7	L	12, 15, 16	EX8	DGZ		Cluster Bezel, Left

SPRINTER (VA)

SERIES	LINE	BODY	ENGINE	TRANSMISSION
L = LOWLINE	3 = HD DODGE 2WD 8 = HD DODGE 4WD 6 = Lt. Duty DODGE 4WD 2 = Med. Duty DODGE 2WD 7 = Med. Duty DODGE 4WD 4 = TRUCK	01 = CHASSIS FORWARD CONTROL W.B.1 02 = CAB CHASSIS WHEEL BASE 2 06 = CAB CHASSIS WHEEL BASE 6 11 = VAN WHEEL BASE 1 12 = VAN WHEEL BASE 2 51 = WAGON WHEEL BASE 1 52 = WAGON WHEEL BASE 2 14 = VAN WHEEL BASE 4 15 = VAN WHEEL BASE 5 54 = WAGON WHEEL BASE 4 55 = WAGON WHEEL BASE 5 56 = WAGON WHEEL BASE 6 16 = VAN WHEEL BASE 6	EX8 = 2.7L I5 Turbo Diesel Engine EX9 = 2.7L I5 Mercedes-Benz TD Engine	DGJ = 5-Speed Automatic MB Transmission DGZ = 4-Spd. Automatic MT643 Transmission

AR = use ase required - = Non illustrated part

**Instrument Panel
Figure 08A-105**



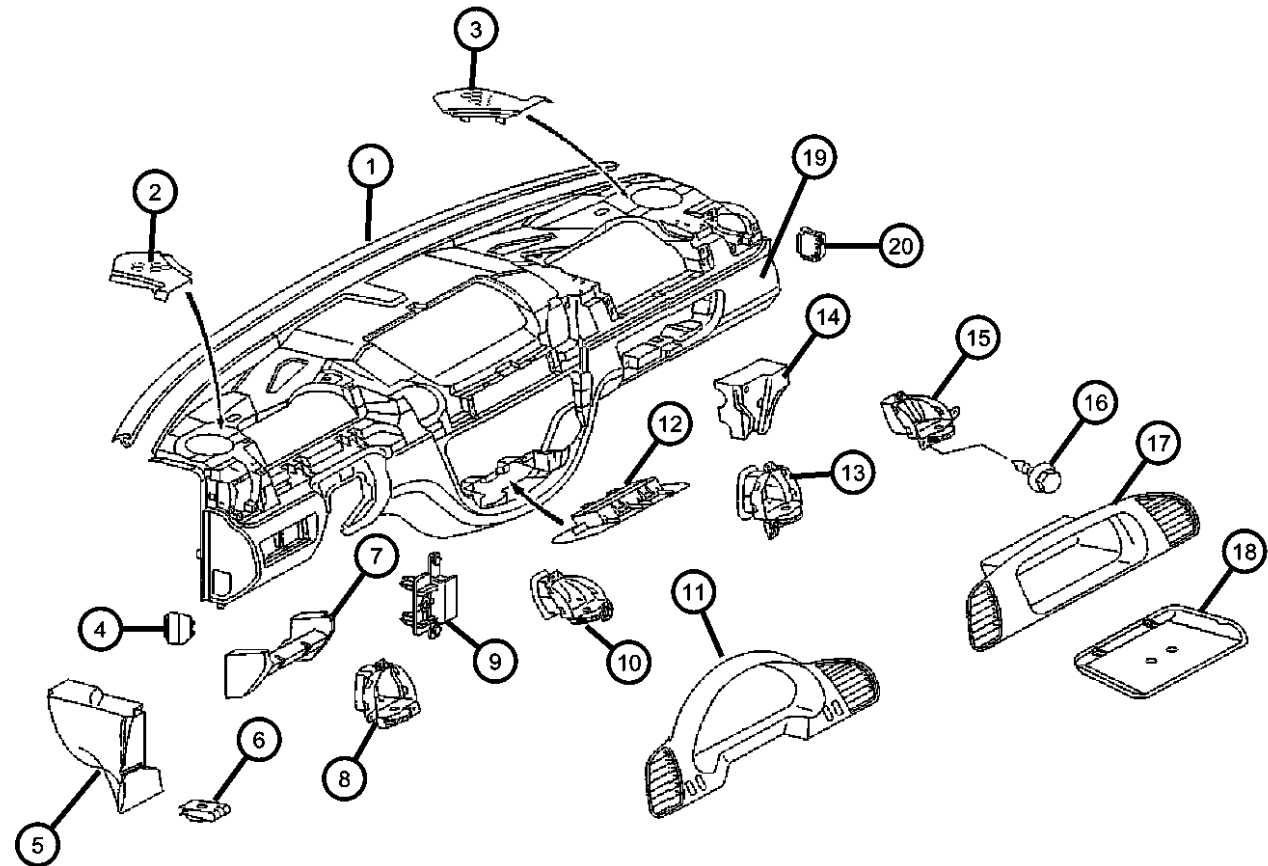
ITEM	PART NUMBER	QTY	LINE	SERIES	BODY	ENGINE	TRANS	TRIM	DESCRIPTION
9									BRACKET, Mounting
	05122891AA	2	2, 6	L	01, 02, 06	EX8	DGZ		Heater Control
		2	2, 6	L	11, 12, 14, 15, 16	EX8	DGZ		Heater Control
		2	2, 6	L	51, 52, 54, 55, 56	EX8	DGZ		Heater Control
		2	3, 7	L	02, 06	EX8	DGZ		Heater Control
		2	3, 7	L	12, 15, 16	EX8	DGZ		Heater Control
10									OUTLET, Air
	05104253AA	1	2, 6	L	01, 02, 06	EX8	DGZ		Cluster Bezel, Right
		1	2, 6	L	11, 12, 14, 15, 16	EX8	DGZ		Cluster Bezel, Right
		1	2, 6	L	51, 52, 54, 55, 56	EX8	DGZ		Cluster Bezel, Right
		1	3, 7	L	02, 06	EX8	DGZ		Cluster Bezel, Right
		1	3, 7	L	12, 15, 16	EX8	DGZ		Cluster Bezel, Right
11									BEZEL, Cluster
	05104262AA	1	2, 6	L	01, 02, 06	EX8	DGZ		
		1	2, 6	L	11, 12, 14, 15, 16	EX8	DGZ		
		1	2, 6	L	51, 52, 54, 55, 56	EX8	DGZ		
		1	3, 7	L	02, 06	EX8	DGZ		
		1	3, 7	L	12, 15, 16	EX8	DGZ		
12									COVER, Instrument Panel
	05122927AA	1	2, 6	L	01, 02, 06	EX8	DGZ		End Cap
		1	2, 6	L	11, 12, 14, 15, 16	EX8	DGZ		End Cap
		1	2, 6	L	51, 52, 54, 55, 56	EX8	DGZ		End Cap
		1	3, 7	L	02, 06	EX8	DGZ		End Cap
		1	3, 7	L	12, 15, 16	EX8	DGZ		End Cap

SPRINTER (VA)

SERIES	LINE	BODY	ENGINE	TRANSMISSION
L = LOWLINE	3 = HD DODGE 2WD 8 = HD DODGE 4WD 6 = Lt. Duty DODGE 4WD 2 = Med. Duty DODGE 2WD 7 = Med. Duty DODGE 4WD 4 = TRUCK	01 = CHASSIS FORWARD CONTROL W.B.1 02 = CAB CHASSIS WHEEL BASE 2 06 = CAB CHASSIS WHEEL BASE 6 11 = VAN WHEEL BASE 1 12 = VAN WHEEL BASE 2 51 = WAGON WHEEL BASE 1 52 = WAGON WHEEL BASE 2 14 = VAN WHEEL BASE 4 15 = VAN WHEEL BASE 5 54 = WAGON WHEEL BASE 4 55 = WAGON WHEEL BASE 5 56 = WAGON WHEEL BASE 6 16 = VAN WHEEL BASE 6	EX8 = 2.7L I5 Turbo Diesel Engine EX9 = 2.7L I5 Mercedes-Benz TD Engine	DGJ = 5-Speed Automatic MB Transmission DGZ = 4-Spd. Automatic MT643 Transmission

AR = use ase required - = Non illustrated part

**Instrument Panel
Figure 08A-105**



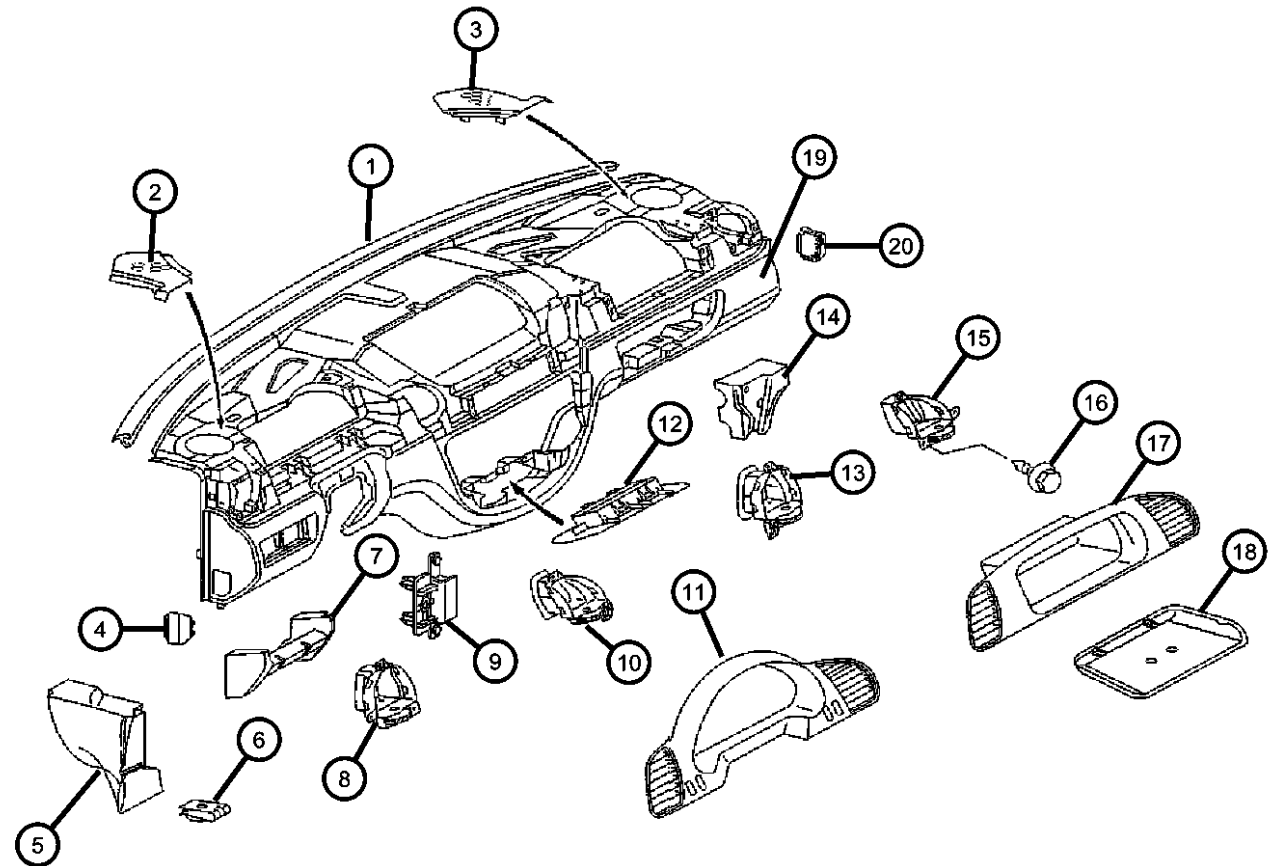
ITEM	PART NUMBER	QTY	LINE	SERIES	BODY	ENGINE	TRANS	TRIM	DESCRIPTION
13	05104256AA	1	2, 6	L	01, 02, 06	EX8	DGZ		OUTLET, Air
		1	2, 6	L	11, 12, 14, 15, 16	EX8	DGZ		
		1	2, 6	L	51, 52, 54, 55, 56	EX8	DGZ		
		1	3, 7	L	02, 06	EX8	DGZ		
		1	3, 7	L	12, 15, 16	EX8	DGZ		
14	05122932AA	1	2, 6	L	01, 02, 06	EX8	DGZ		PAD, Instrument Panel
		1	2, 6	L	11, 12, 14, 15, 16	EX8	DGZ		
		1	2, 6	L	51, 52, 54, 55, 56	EX8	DGZ		
		1	3, 7	L	02, 06	EX8	DGZ		
		1	3, 7	L	12, 15, 16	EX8	DGZ		
15	05104258AA	1	2, 6	L	01, 02, 06	EX8	DGZ		OUTLET, Air
		1	2, 6	L	11, 12, 14, 15, 16	EX8	DGZ		
		1	2, 6	L	51, 52, 54, 55, 56	EX8	DGZ		
		1	3, 7	L	02, 06	EX8	DGZ		
		1	3, 7	L	12, 15, 16	EX8	DGZ		
16	06104610AA	2	2, 6	L	01, 02, 06	EX8	DGZ		SCREW
		2	2, 6	L	11, 12, 14, 15, 16	EX8	DGZ		
		2	2, 6	L	51, 52, 54, 55, 56	EX8	DGZ		
		2	3, 7	L	02, 06	EX8	DGZ		
		2	3, 7	L	12, 15, 16	EX8	DGZ		

SPRINTER (VA)

SERIES	LINE	BODY	ENGINE	TRANSMISSION
L = LOWLINE	3 = HD DODGE 2WD 8 = HD DODGE 4WD 6 = Lt. Duty DODGE 4WD 2 = Med. Duty DODGE 2WD 7 = Med. Duty DODGE 4WD 4 = TRUCK	01 = CHASSIS FORWARD CONTROL W.B.1 02 = CAB CHASSIS WHEEL BASE 2 06 = CAB CHASSIS WHEEL BASE 6 11 = VAN WHEEL BASE 1 12 = VAN WHEEL BASE 2 51 = WAGON WHEEL BASE 1 52 = WAGON WHEEL BASE 2 14 = VAN WHEEL BASE 4 15 = VAN WHEEL BASE 5 54 = WAGON WHEEL BASE 4 55 = WAGON WHEEL BASE 5 56 = WAGON WHEEL BASE 6 16 = VAN WHEEL BASE 6	EX8 = 2.7L I5 Turbo Diesel Engine EX9 = 2.7L I5 Mercedes-Benz TD Engine	DGJ = 5-Speed Automatic MB Transmission DGZ = 4-Spd. Automatic MT643 Transmission

AR = use ase required - = Non illustrated part

**Instrument Panel
Figure 08A-105**



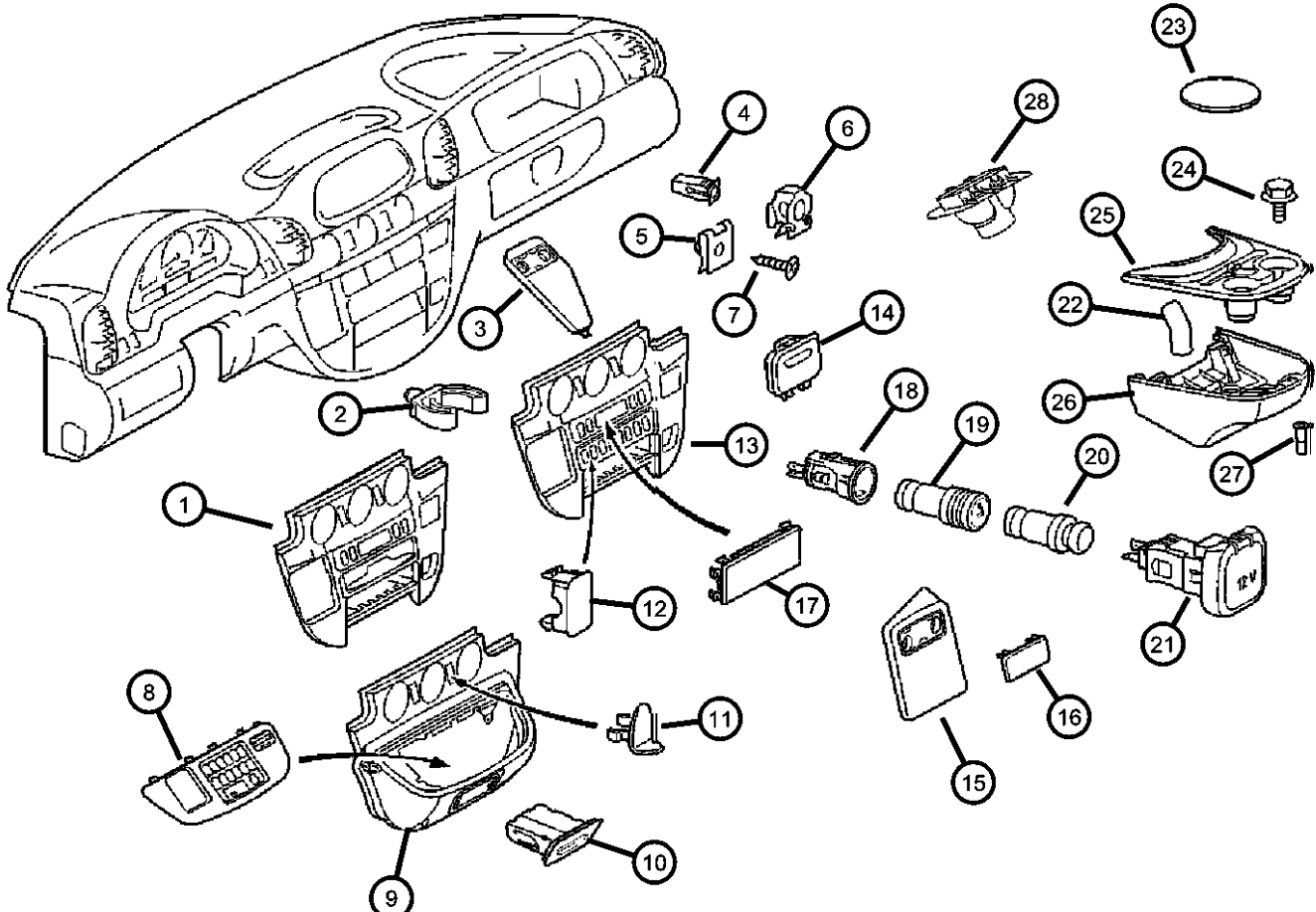
ITEM	PART NUMBER	QTY	LINE	SERIES	BODY	ENGINE	TRANS	TRIM	DESCRIPTION
17	05104261AA	1	2, 6	L	01, 02, 06	EX8	DGZ		DOOR, Passenger Air Bag
		1	2, 6	L	11, 12, 14, 15, 16	EX8	DGZ		
		1	2, 6	L	51, 52, 54, 55, 56	EX8	DGZ		
		1	3, 7	L	02, 06	EX8	DGZ		
		1	3, 7	L	12, 15, 16	EX8	DGZ		
18	05122952AA	1	2, 6	L	01, 02, 06	EX8	DGZ		TRAY, Instrument Panel
		1	2, 6	L	11, 12, 14, 15, 16	EX8	DGZ		
		1	2, 6	L	51, 52, 54, 55, 56	EX8	DGZ		
		1	3, 7	L	02, 06	EX8	DGZ		
		1	3, 7	L	12, 15, 16	EX8	DGZ		
19	05122362AA	1	2, 6	L	01, 02, 06	EX8	DGZ		PANEL, Instrument
		1	2, 6	L	11, 12, 14, 15, 16	EX8	DGZ		
		1	2, 6	L	51, 52, 54, 55, 56	EX8	DGZ		
		1	3, 7	L	02, 06	EX8	DGZ		
		1	3, 7	L	12, 15, 16	EX8	DGZ		
20	05103919AA	2	2, 6	L	01, 02, 06	EX8	DGZ		PLUG, Instrument Panel
		2	2, 6	L	11, 12, 14, 15, 16	EX8	DGZ		
		2	2, 6	L	51, 52, 54, 55, 56	EX8	DGZ		
		2	3, 7	L	02, 06	EX8	DGZ		
		2	3, 7	L	12, 15, 16	EX8	DGZ		

SPRINTER (VA)

SERIES	LINE	BODY	ENGINE	TRANSMISSION
L = LOWLINE	3 = HD DODGE 2WD 8 = HD DODGE 4WD 6 = Lt. Duty DODGE 4WD 2 = Med. Duty DODGE 2WD 7 = Med. Duty DODGE 4WD 4 = TRUCK	01 = CHASSIS FORWARD CONTROL W.B.1 02 = CAB CHASSIS WHEEL BASE 2 06 = CAB CHASSIS WHEEL BASE 6 11 = VAN WHEEL BASE 1 12 = VAN WHEEL BASE 2 51 = WAGON WHEEL BASE 1 52 = WAGON WHEEL BASE 2 14 = VAN WHEEL BASE 4 15 = VAN WHEEL BASE 5 54 = WAGON WHEEL BASE 4 55 = WAGON WHEEL BASE 5 56 = WAGON WHEEL BASE 6 16 = VAN WHEEL BASE 6	EX8 = 2.7L I5 Turbo Diesel Engine EX9 = 2.7L I5 Mercedes-Benz TD Engine	DGJ = 5-Speed Automatic MB Transmission DGZ = 4-Spd. Automatic MT643 Transmission

AR = use ase required - = Non illustrated part

**Instrument Panel Bezel and Related Parts
Figure 08A-110**



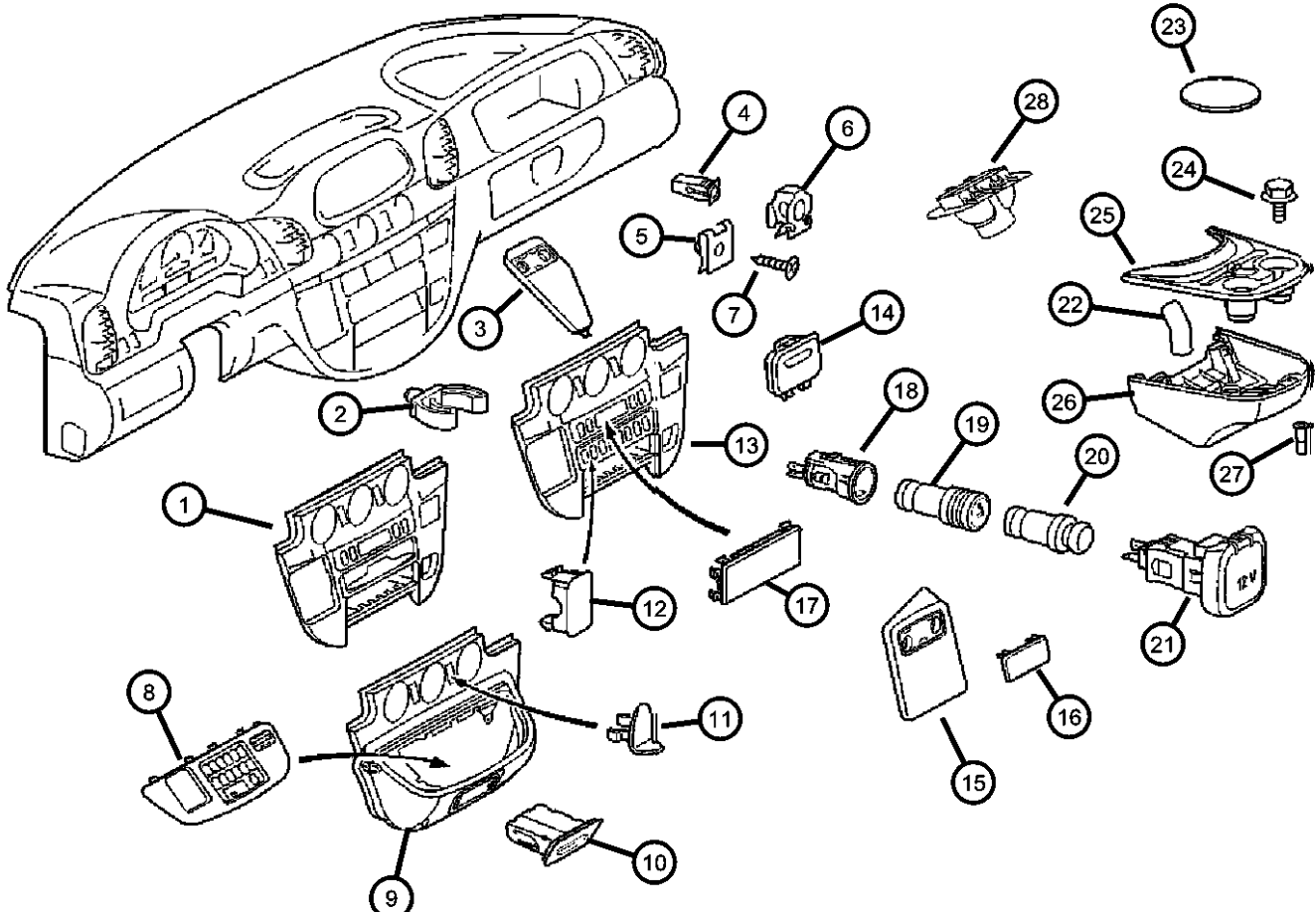
ITEM	PART NUMBER	QTY	LINE	SERIES	BODY	ENGINE	TRANS	TRIM	DESCRIPTION
1	05122372AA	1	2, 6	L	51, 52, 54, 55, 56		DGZ		BEZEL, Instrument Panel, Center
		1	2, 6	L	01, 02, 06		DGZ		
		1	2, 6	L	11, 12, 14, 15, 16		DGZ		
		1	3, 7	L	02, 06		DGZ		
		1	3, 7	L	12, 15, 16		DGZ		
2	05125582AA	6	2, 6	L	51, 52, 54, 55, 56	EX8	DGZ		CLIP, U Type Paneling to Right B Pillar
		6	2, 6	L	01, 02, 06	EX8	DGZ		Paneling to Right B Pillar
		6	2, 6	L	11, 12, 14, 15, 16	EX8	DGZ		Paneling to Right B Pillar
		6	3, 7	L	02, 06	EX8	DGZ		Paneling to Right B Pillar
		6	3, 7	L	12, 15, 16	EX8	DGZ		Paneling to Right B Pillar
3	05122388AA	1	2, 6	L	01, 02, 06	EX8			BRACKET, Instrument Panel
		1	2, 6	L	11, 12, 14, 15, 16	EX8			
		1	3, 7	L	02, 06	EX8			
		1	3, 7	L	12, 15, 16	EX8			
		1	2, 6	L	51, 52, 54, 55, 56	EX8			
4	05125576AA	2	2, 6	L	01, 02, 06	EX8	DGZ		NUT, Plastic Snap-in
		2	2, 6	L	11, 12, 14, 15, 16	EX8	DGZ		
		2	2, 6	L	51, 52, 54, 55, 56	EX8	DGZ		
		2	3, 7	L	02, 06	EX8	DGZ		
		2	3, 7	L	12, 15, 16	EX8	DGZ		

SPRINTER (VA)

SERIES	LINE	BODY	ENGINE	TRANSMISSION
L = LOWLINE	3 = HD DODGE 2WD 8 = HD DODGE 4WD 6 = Lt. Duty DODGE 4WD 2 = Med. Duty DODGE 2WD 7 = Med. Duty DODGE 4WD 4 = TRUCK	01 = CHASSIS FORWARD CONTROL W.B.1 02 = CAB CHASSIS WHEEL BASE 2 06 = CAB CHASSIS WHEEL BASE 6 11 = VAN WHEEL BASE 1 12 = VAN WHEEL BASE 2 51 = WAGON WHEEL BASE 1 52 = WAGON WHEEL BASE 2 14 = VAN WHEEL BASE 4 15 = VAN WHEEL BASE 5 54 = WAGON WHEEL BASE 4 55 = WAGON WHEEL BASE 5 56 = WAGON WHEEL BASE 6 16 = VAN WHEEL BASE 6	EX8 = 2.7L I5 Turbo Diesel Engine EX9 = 2.7L I5 Mercedes-Benz TD Engine	DGJ = 5-Speed Automatic MB Transmission DGZ = 4-Spd. Automatic MT643 Transmission

AR = use ase required - = Non illustrated part

**Instrument Panel Bezel and Related Parts
Figure 08A-110**



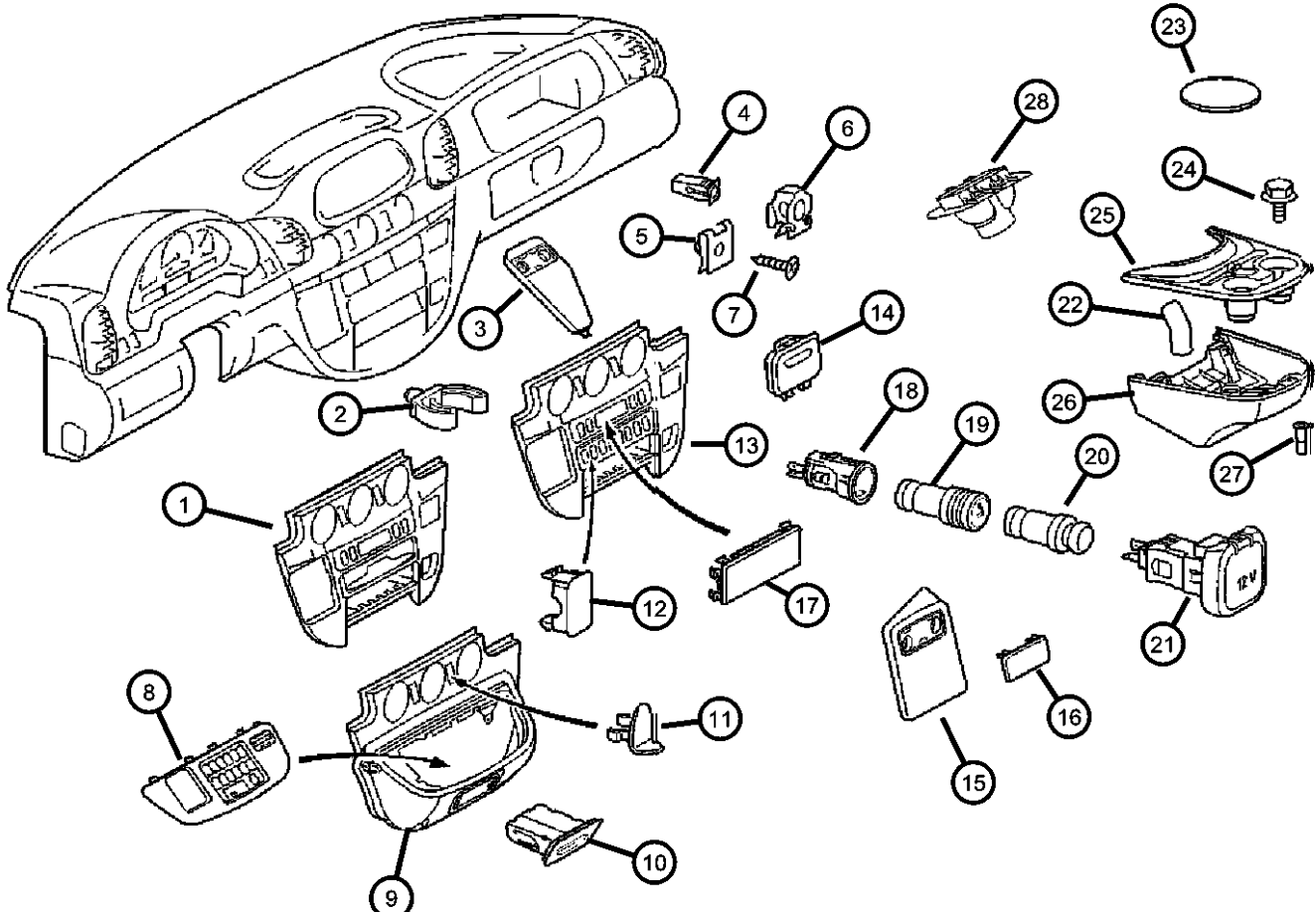
ITEM	PART NUMBER	QTY	LINE	SERIES	BODY	ENGINE	TRANS	TRIM	DESCRIPTION
5	05125857AA	2	2, 6	L	01, 02, 06	EX8	DGZ		NUT, Clip-On
		2	2, 6	L	11, 12, 14, 15, 16	EX8	DGZ		
		2	3, 7	L	12, 15, 16	EX8	DGZ		
		2	2, 6	L	51, 52, 54, 55, 56	EX8	DGZ		
		2	3, 7	L	02, 06	EX8	DGZ		
6	05125861AA	2	2, 6	L	01, 02, 06	EX8	DGZ		NUT, Spring
		2	2, 6	L	11, 12, 14, 15, 16	EX8	DGZ		
		2	2, 6	L	51, 52, 54, 55, 56	EX8	DGZ		
		2	3, 7	L	02, 06	EX8	DGZ		
		2	3, 7	L	12, 15, 16	EX8	DGZ		
7	06104610AA	5	2, 6	L	11, 12, 14, 15, 16	EX8	DGZ		SCREW
		5	2, 6	L	51, 52, 54, 55, 56	EX8	DGZ		
		5	2, 6	L	01, 02, 06	EX8	DGZ		
		5	3, 7	L	02, 06	EX8	DGZ		
		5	3, 7	L	12, 15, 16	EX8	DGZ		
8	05122928AA	1	3, 7	L	02, 06	EX8	DGZ		BEZEL, Center Console
		1	3, 7	L	12, 15, 16	EX8	DGZ		
		1	2, 6	L	01, 02, 06	EX8	DGZ		
		1	2, 6	L	11, 12, 14, 15, 16	EX8	DGZ		
		1	2, 6	L	51, 52, 54, 55, 56	EX8	DGZ		

SPRINTER (VA)

SERIES	LINE	BODY	ENGINE	TRANSMISSION
L = LOWLINE	3 = HD DODGE 2WD 8 = HD DODGE 4WD 6 = Lt. Duty DODGE 4WD 2 = Med. Duty DODGE 2WD 7 = Med. Duty DODGE 4WD 4 = TRUCK	01 = CHASSIS FORWARD CONTROL W.B.1 02 = CAB CHASSIS WHEEL BASE 2 06 = CAB CHASSIS WHEEL BASE 6 11 = VAN WHEEL BASE 1 12 = VAN WHEEL BASE 2 51 = WAGON WHEEL BASE 1 52 = WAGON WHEEL BASE 2 14 = VAN WHEEL BASE 4 15 = VAN WHEEL BASE 5 54 = WAGON WHEEL BASE 4 55 = WAGON WHEEL BASE 5 56 = WAGON WHEEL BASE 6 16 = VAN WHEEL BASE 6	EX8 = 2.7L I5 Turbo Diesel Engine EX9 = 2.7L I5 Mercedes-Benz TD Engine	DGJ = 5-Speed Automatic MB Transmission DGZ = 4-Spd. Automatic MT643 Transmission

AR = use ase required - = Non illustrated part

**Instrument Panel Bezel and Related Parts
Figure 08A-110**



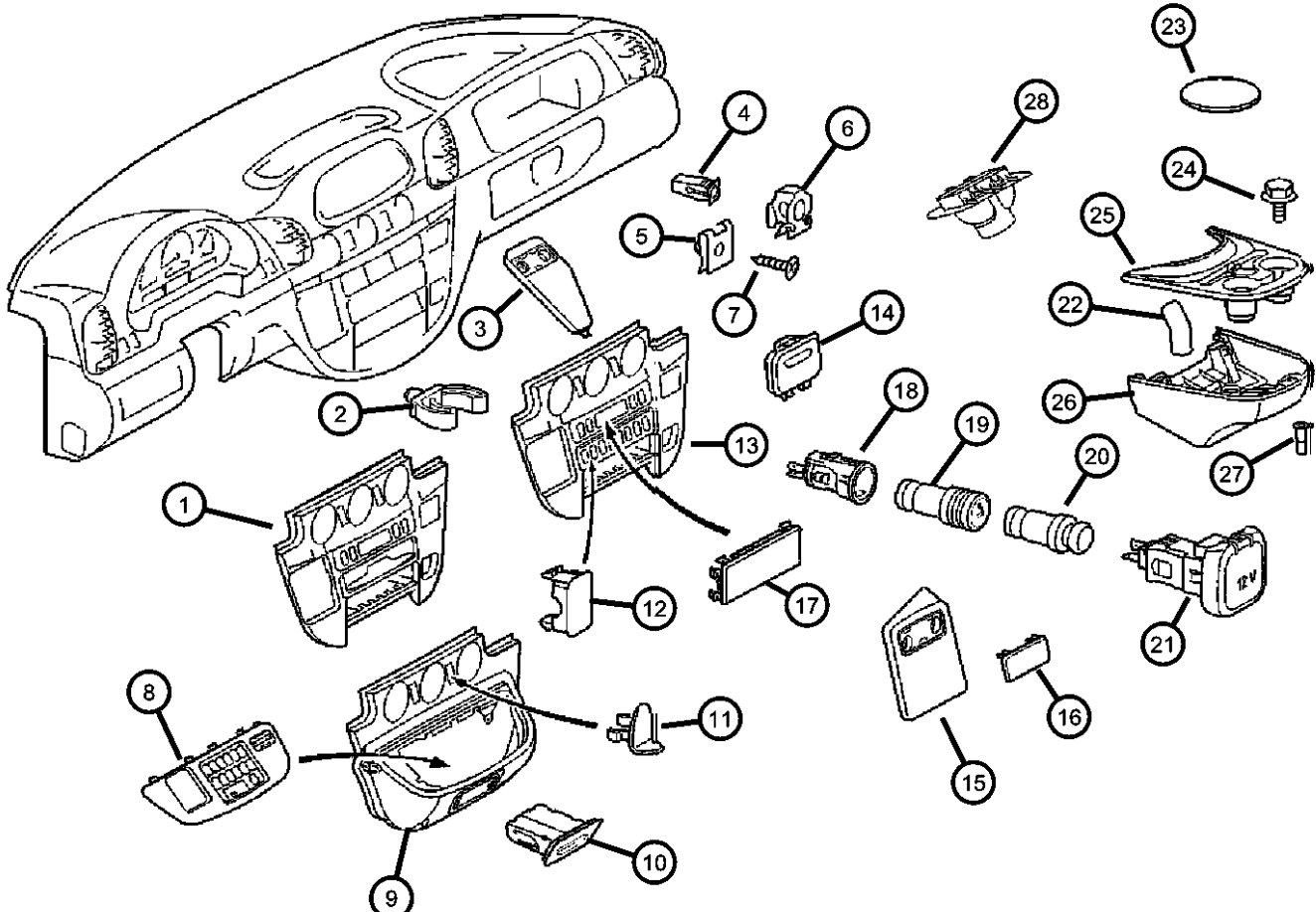
ITEM	PART NUMBER	QTY	LINE	SERIES	BODY	ENGINE	TRANS	TRIM	DESCRIPTION
9									CONSOLE, Instrument Panel
	05122880AA	1	2, 6	L	01, 02, 06	EX8	DGZ		
		1	2, 6	L	11, 12, 14, 15, 16	EX8	DGZ		
		1	2, 6	L	51, 52, 54, 55, 56	EX8	DGZ		
		1	3, 7	L	02, 06	EX8	DGZ		
		1	3, 7	L	12, 15, 16	EX8	DGZ		
10									ASH RECEIVER, Instrument Panel
	05124226AA	1	2, 6	L	01, 02, 06	EX8	DGZ		
		1	2, 6	L	11, 12, 14, 15, 16	EX8	DGZ		
		1	2, 6	L	51, 52, 54, 55, 56	EX8	DGZ		
		1	3, 7	L	02, 06	EX8	DGZ		
		1	3, 7	L	12, 15, 16	EX8	DGZ		
11									COVER, Center Console
	05122885AA	1	2, 6	L	01, 02, 06	EX8	DGZ		
		1	2, 6	L	11, 12, 14, 15, 16	EX8	DGZ		
		1	2, 6	L	51, 52, 54, 55, 56	EX8	DGZ		
		1	3, 7	L	02, 06	EX8	DGZ		
		1	3, 7	L	12, 15, 16	EX8	DGZ		
12									COVER, Switch Opening
	05122925AA	3	2, 6	L	01, 02, 06	EX8	DGZ		
		3	2, 6	L	11, 12, 14, 15, 16	EX8	DGZ		
		3	2, 6	L	51, 52, 54, 55, 56	EX8	DGZ		
		3	3, 7	L	02, 06	EX8	DGZ		
		3	3, 7	L	12, 15, 16	EX8	DGZ		

SPRINTER (VA)

SERIES	LINE	BODY	ENGINE	TRANSMISSION
L = LOWLINE	3 = HD DODGE 2WD 8 = HD DODGE 4WD 6 = Lt. Duty DODGE 4WD 2 = Med. Duty DODGE 2WD 7 = Med. Duty DODGE 4WD 4 = TRUCK	01 = CHASSIS FORWARD CONTROL W.B.1 02 = CAB CHASSIS WHEEL BASE 2 06 = CAB CHASSIS WHEEL BASE 6 11 = VAN WHEEL BASE 1 12 = VAN WHEEL BASE 2 51 = WAGON WHEEL BASE 1 52 = WAGON WHEEL BASE 2 14 = VAN WHEEL BASE 4 15 = VAN WHEEL BASE 5 54 = WAGON WHEEL BASE 4 55 = WAGON WHEEL BASE 5 56 = WAGON WHEEL BASE 6 16 = VAN WHEEL BASE 6	EX8 = 2.7L I5 Turbo Diesel Engine EX9 = 2.7L I5 Mercedes-Benz TD Engine	DGJ = 5-Speed Automatic MB Transmission DGZ = 4-Spd. Automatic MT643 Transmission

AR = use ase required - = Non illustrated part

Instrument Panel Bezel and Related Parts
Figure 08A-110



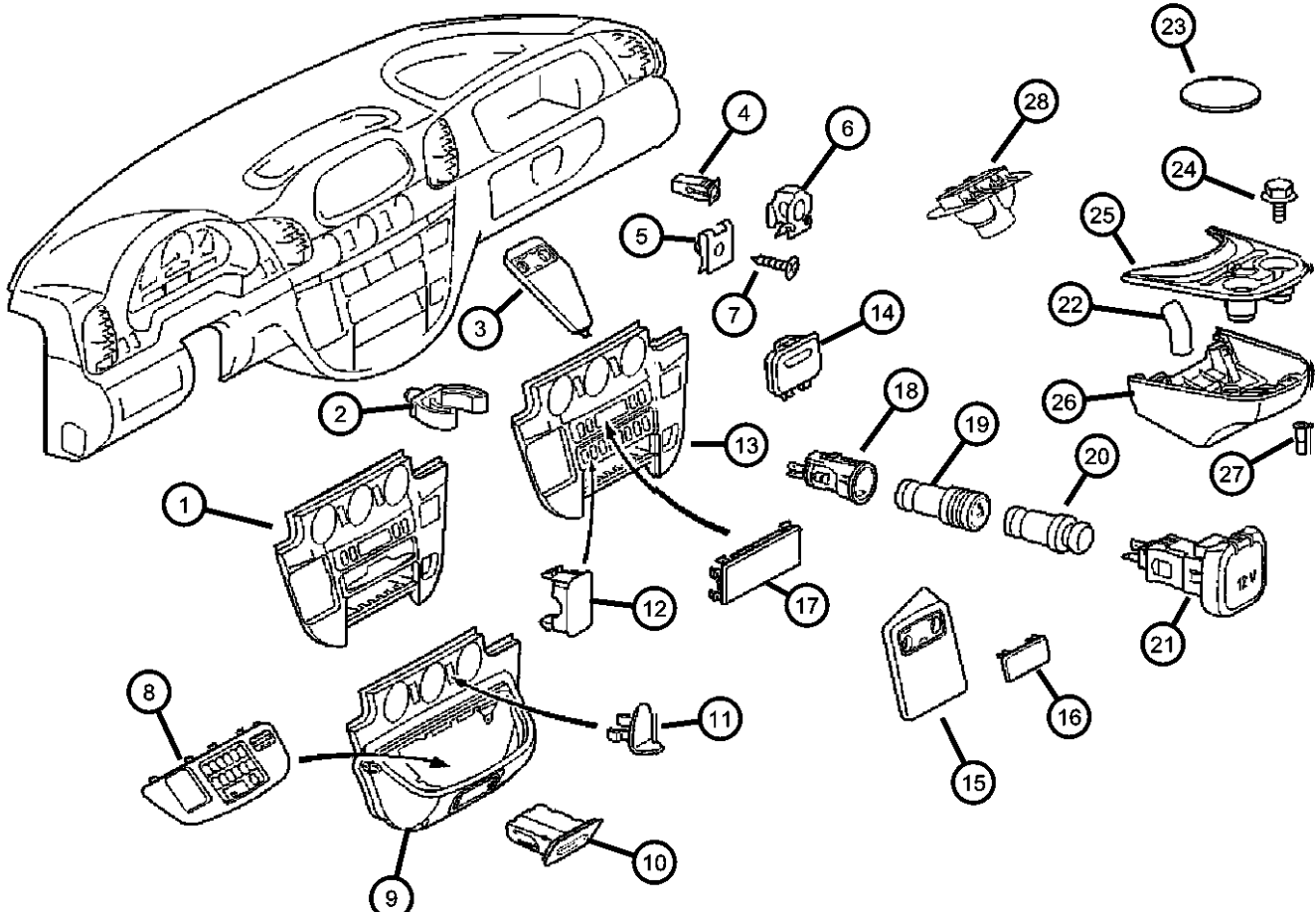
ITEM	PART NUMBER	QTY	LINE	SERIES	BODY	ENGINE	TRANS	TRIM	DESCRIPTION
13	05122873AA	1	2, 6	L	01, 02, 06				BEZEL, Instrument Panel, Center
		1	2, 6	L	11, 12, 14, 15, 16				
		1	2, 6	L	51, 52, 54, 55, 56				
		1	3, 7	L	02, 06				
		1	3, 7	L	12, 15, 16				
14	05122391AA	1	2, 6	L	01, 02, 06	EX8	DGZ		COVER, Instrument Panel Paper clip
		1	2, 6	L	11, 12, 14, 15, 16	EX8	DGZ		Paper clip
		1	2, 6	L	51, 52, 54, 55, 56	EX8	DGZ		Paper clip
		1	3, 7	L	02, 06	EX8	DGZ		Paper clip
		1	3, 7	L	12, 15, 16	EX8	DGZ		Paper clip
15	05122939AA	1	2, 6	L	01, 02, 06	EX8	DGZ		BEZEL, Instrument Panel
		1	2, 6	L	11, 12, 14, 15, 16	EX8	DGZ		
		1	2, 6	L	51, 52, 54, 55, 56	EX8	DGZ		
		1	3, 7	L	02, 06	EX8	DGZ		
		1	3, 7	L	12, 15, 16	EX8	DGZ		
16	05122878AA	1	2, 6	L	01, 02, 06	EX8	DGZ		COVER, Instrument Panel
		1	2, 6	L	11, 12, 14, 15, 16	EX8	DGZ		
		1	2, 6	L	51, 52, 54, 55, 56	EX8	DGZ		
		1	3, 7	L	02, 06	EX8	DGZ		
		1	3, 7	L	12, 15, 16	EX8	DGZ		

SPRINTER (VA)

SERIES	LINE	BODY	ENGINE	TRANSMISSION
L = LOWLINE	3 = HD DODGE 2WD 8 = HD DODGE 4WD 6 = Lt. Duty DODGE 4WD 2 = Med. Duty DODGE 2WD 7 = Med. Duty DODGE 4WD 4 = TRUCK	01 = CHASSIS FORWARD CONTROL W.B.1 02 = CAB CHASSIS WHEEL BASE 2 06 = CAB CHASSIS WHEEL BASE 6 11 = VAN WHEEL BASE 1 12 = VAN WHEEL BASE 2 51 = WAGON WHEEL BASE 1 52 = WAGON WHEEL BASE 2 14 = VAN WHEEL BASE 4 15 = VAN WHEEL BASE 5 54 = WAGON WHEEL BASE 4 55 = WAGON WHEEL BASE 5 56 = WAGON WHEEL BASE 6 16 = VAN WHEEL BASE 6	EX8 = 2.7L I5 Turbo Diesel Engine EX9 = 2.7L I5 Mercedes-Benz TD Engine	DGJ = 5-Speed Automatic MB Transmission DGZ = 4-Spd. Automatic MT643 Transmission

AR = use ase required - = Non illustrated part

**Instrument Panel Bezel and Related Parts
Figure 08A-110**



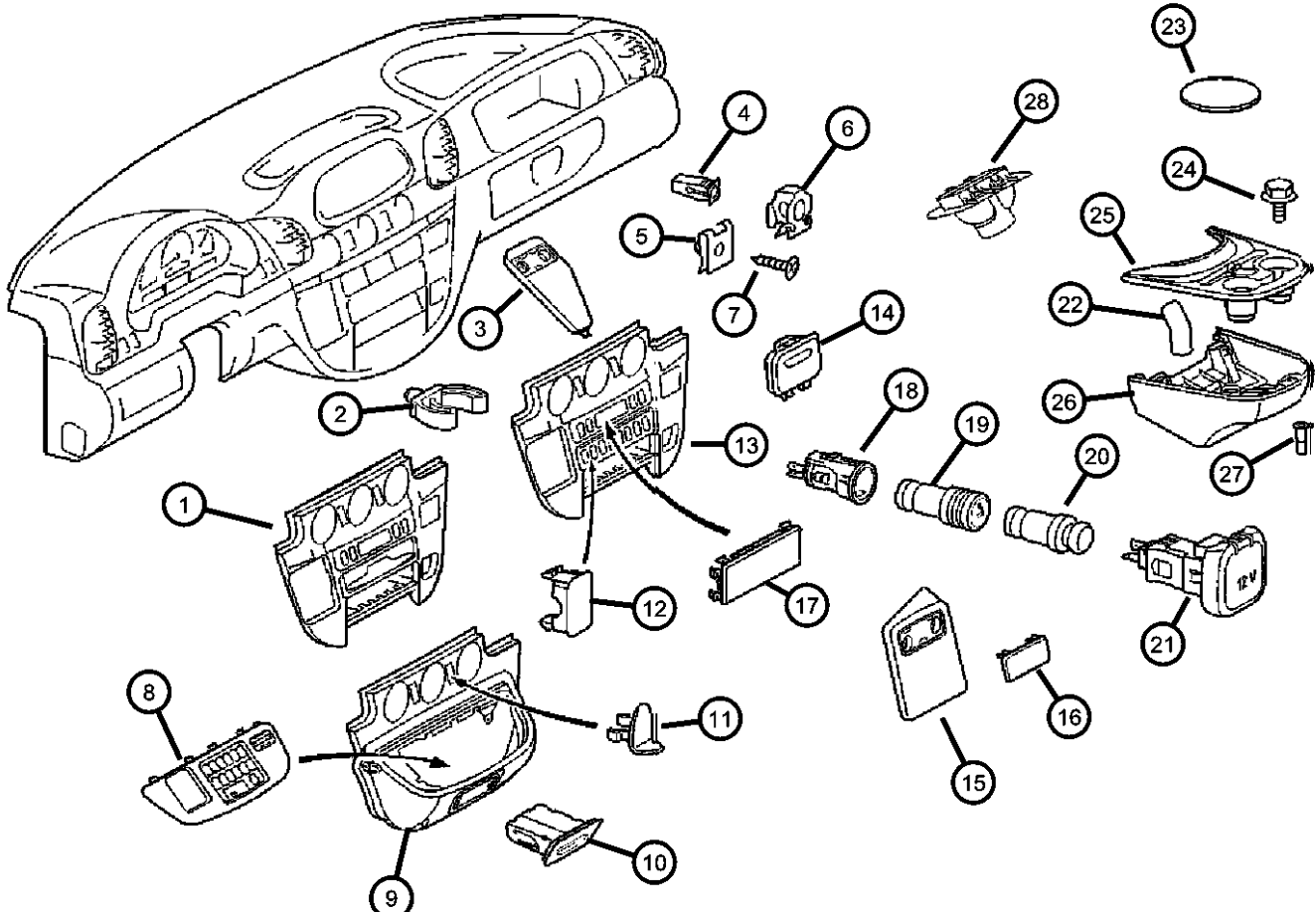
ITEM	PART NUMBER	QTY	LINE	SERIES	BODY	ENGINE	TRANS	TRIM	DESCRIPTION
17									COVER, Radio Opening
	05103928AA	1	2, 6	L	01, 02, 06	EX8	DGZ		
		1	2, 6	L	11, 12, 14, 15, 16	EX8	DGZ		
		1	2, 6	L	51, 52, 54, 55, 56	EX8	DGZ		
		1	3, 7	L	02, 06	EX8	DGZ		
		1	3, 7	L	12, 15, 16	EX8	DGZ		
18									BASE, Cigar Lighter
	05124456AA	1	3, 7	L	02, 06	EX8	DGZ		
		1	3, 7	L	12, 15, 16	EX8	DGZ		
		1	2, 6	L	01, 02, 06	EX8	DGZ		
		1	2, 6	L	11, 12, 14, 15, 16	EX8	DGZ		
		1	2, 6	L	51, 52, 54, 55, 56	EX8	DGZ		
19									ELEMENT, Cigar Lighter
	05103679AA	1	2, 6	L	01, 02, 06	EX8	DGZ		
		1	2, 6	L	11, 12, 14, 15, 16	EX8	DGZ		
		1	2, 6	L	51, 52, 54, 55, 56	EX8	DGZ		
		1	3, 7	L	02, 06	EX8	DGZ		
		1	3, 7	L	12, 15, 16	EX8	DGZ		
20									SOCKET, Accessory
	05124598AA	1	2, 6	L	01, 02, 06	EX8	DGZ		
		1	2, 6	L	11, 12, 14, 15, 16	EX8	DGZ		
		1	2, 6	L	51, 52, 54, 55, 56	EX8	DGZ		
		1	3, 7	L	02, 06	EX8	DGZ		
		1	3, 7	L	12, 15, 16	EX8	DGZ		

SPRINTER (VA)

SERIES	LINE	BODY	ENGINE	TRANSMISSION
L = LOWLINE	3 = HD DODGE 2WD 8 = HD DODGE 4WD 6 = Lt. Duty DODGE 4WD 2 = Med. Duty DODGE 2WD 7 = Med. Duty DODGE 4WD 4 = TRUCK	01 = CHASSIS FORWARD CONTROL W.B.1 02 = CAB CHASSIS WHEEL BASE 2 06 = CAB CHASSIS WHEEL BASE 6 11 = VAN WHEEL BASE 1 12 = VAN WHEEL BASE 2 51 = WAGON WHEEL BASE 1 52 = WAGON WHEEL BASE 2 14 = VAN WHEEL BASE 4 15 = VAN WHEEL BASE 5 54 = WAGON WHEEL BASE 4 55 = WAGON WHEEL BASE 5 56 = WAGON WHEEL BASE 6 16 = VAN WHEEL BASE 6	EX8 = 2.7L I5 Turbo Diesel Engine EX9 = 2.7L I5 Mercedes-Benz TD Engine	DGJ = 5-Speed Automatic MB Transmission DGZ = 4-Spd. Automatic MT643 Transmission

AR = use ase required - = Non illustrated part

**Instrument Panel Bezel and Related Parts
Figure 08A-110**



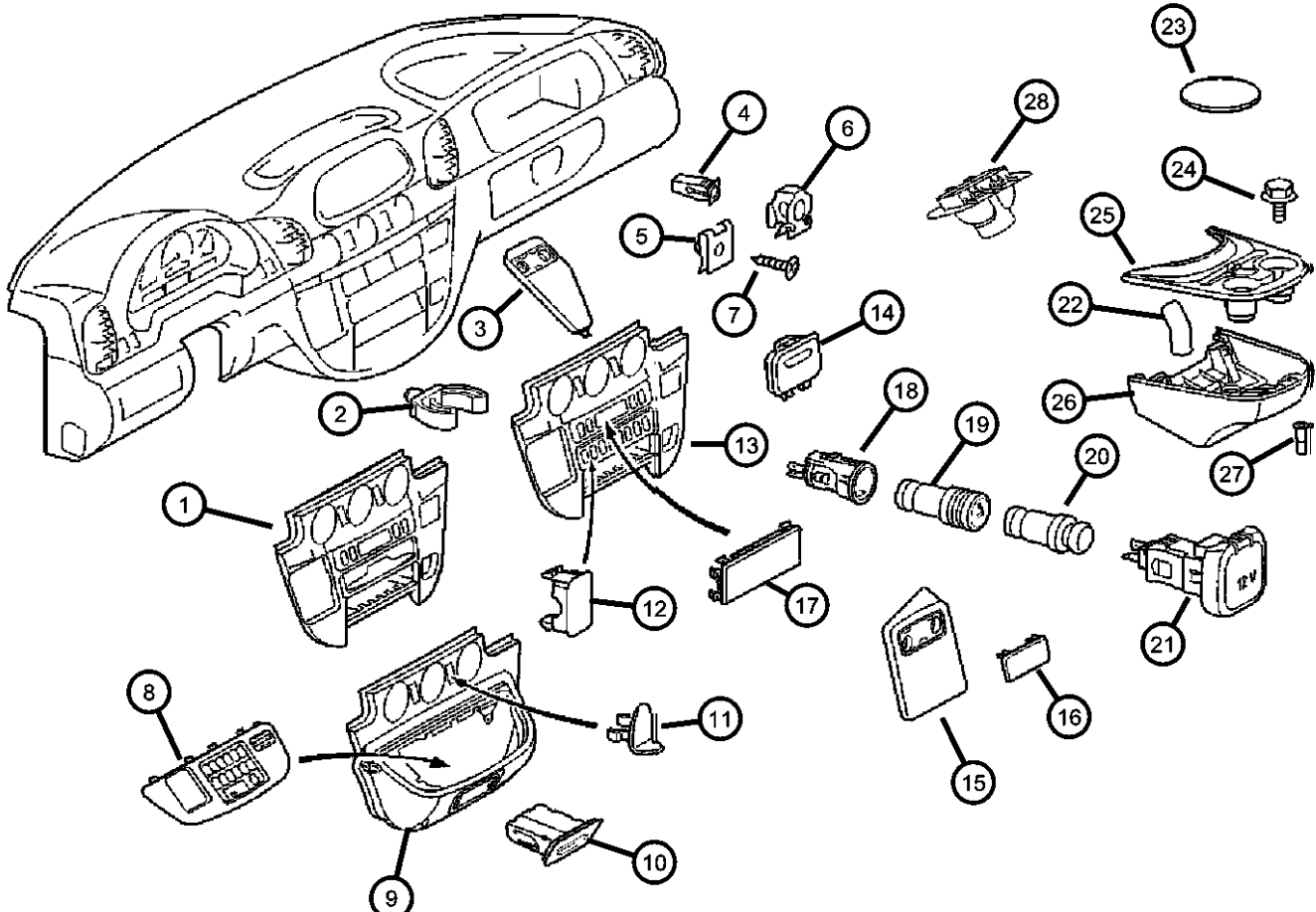
ITEM	PART NUMBER	QTY	LINE	SERIES	BODY	ENGINE	TRANS	TRIM	DESCRIPTION
21	05124458AA	1	2, 6	L	11, 12, 14, 15, 16	EX8	DGZ		POWER OUTLET
		1	2, 6	L	51, 52, 54, 55, 56	EX8	DGZ		
		1	3, 7	L	02, 06	EX8	DGZ		
		1	3, 7	L	12, 15, 16	EX8	DGZ		
	05183902AA	1	2, 6	L	11, 12, 14, 15, 16	EX8	DGZ		[XAH]
		1	2, 6	L	01, 02, 06	EX8	DGZ		
22	05104488AA	1	2, 6	L	01, 02, 06	EX8	DGZ		HOSE Air Duct Adapter
		1	2, 6	L	11, 12, 14, 15, 16	EX8	DGZ		Air Duct Adapter
		1	2, 6	L	51, 52, 54, 55, 56	EX8	DGZ		Air Duct Adapter
		1	3, 7	L	02, 06	EX8	DGZ		Air Duct Adapter
		1	3, 7	L	12, 15, 16	EX8	DGZ		Air Duct Adapter
23	05122953AA	2	2, 6	L	51, 52, 54, 55, 56	EX8	DGZ		MAT, Single Cup
		2	3, 7	L	02, 06	EX8	DGZ		
		2	3, 7	L	12, 15, 16	EX8	DGZ		
		2	2, 6	L	01, 02, 06	EX8	DGZ		
		2	2, 6	L	11, 12, 14, 15, 16	EX8	DGZ		
24	06104121AA	4	2, 6	L	01, 02, 06	EX8	DGZ		SCREW, Hex Flange Head
		4	2, 6	L	11, 12, 14, 15, 16	EX8	DGZ		
		4	2, 6	L	51, 52, 54, 55, 56	EX8	DGZ		

SPRINTER (VA)

SERIES	LINE	BODY	ENGINE	TRANSMISSION
L = LOWLINE	3 = HD DODGE 2WD 8 = HD DODGE 4WD 6 = Lt. Duty DODGE 4WD 2 = Med. Duty DODGE 2WD 7 = Med. Duty DODGE 4WD 4 = TRUCK	01 = CHASSIS FORWARD CONTROL W.B.1 02 = CAB CHASSIS WHEEL BASE 2 06 = CAB CHASSIS WHEEL BASE 6 11 = VAN WHEEL BASE 1 12 = VAN WHEEL BASE 2 51 = WAGON WHEEL BASE 1 52 = WAGON WHEEL BASE 2 14 = VAN WHEEL BASE 4 15 = VAN WHEEL BASE 5 54 = WAGON WHEEL BASE 4 55 = WAGON WHEEL BASE 5 56 = WAGON WHEEL BASE 6 16 = VAN WHEEL BASE 6	EX8 = 2.7L I5 Turbo Diesel Engine EX9 = 2.7L I5 Mercedes-Benz TD Engine	DGJ = 5-Speed Automatic MB Transmission DGZ = 4-Spd. Automatic MT643 Transmission

AR = use ase required - = Non illustrated part

**Instrument Panel Bezel and Related Parts
Figure 08A-110**



ITEM	PART NUMBER	QTY	LINE	SERIES	BODY	ENGINE	TRANS	TRIM	DESCRIPTION
		4	3, 7	L	02, 06	EX8	DGZ		
		4	3, 7	L	12, 15, 16	EX8	DGZ		
25	05104254AA	1	2, 6	L	01, 02, 06	EX8	DGZ		CUP HOLDER, Lid
		1	2, 6	L	11, 12, 14, 15, 16	EX8	DGZ		
		1	2, 6	L	51, 52, 54, 55, 56	EX8	DGZ		
		1	3, 7	L	02, 06	EX8	DGZ		
		1	3, 7	L	12, 15, 16	EX8	DGZ		
26	05104255AA	1	2, 6	L	11, 12, 14, 15, 16	EX8	DGZ		HOUSING, Cup Holder
		1	2, 6	L	51, 52, 54, 55, 56	EX8	DGZ		
		1	3, 7	L	02, 06	EX8	DGZ		
		1	3, 7	L	12, 15, 16	EX8	DGZ		
		1	2, 6	L	01, 02, 06	EX8	DGZ		
27	05133975AA	4	2, 6	L	01, 02, 06	EX8	DGZ		NUT, Rivet
		4	2, 6	L	11, 12, 14, 15, 16	EX8	DGZ		
		4	3, 7	L	12, 15, 16	EX8	DGZ		
		4	2, 6	L	51, 52, 54, 55, 56	EX8	DGZ		
		4	3, 7	L	02, 06	EX8	DGZ		
28	05104267AA	1	2, 6	L	01, 02, 06	EX8	DGZ		ADAPTER, Air Duct
		1	2, 6	L	11, 12, 14, 15, 16	EX8	DGZ		
		1	2, 6	L	51, 52, 54, 55, 56	EX8	DGZ		

SPRINTER (VA)

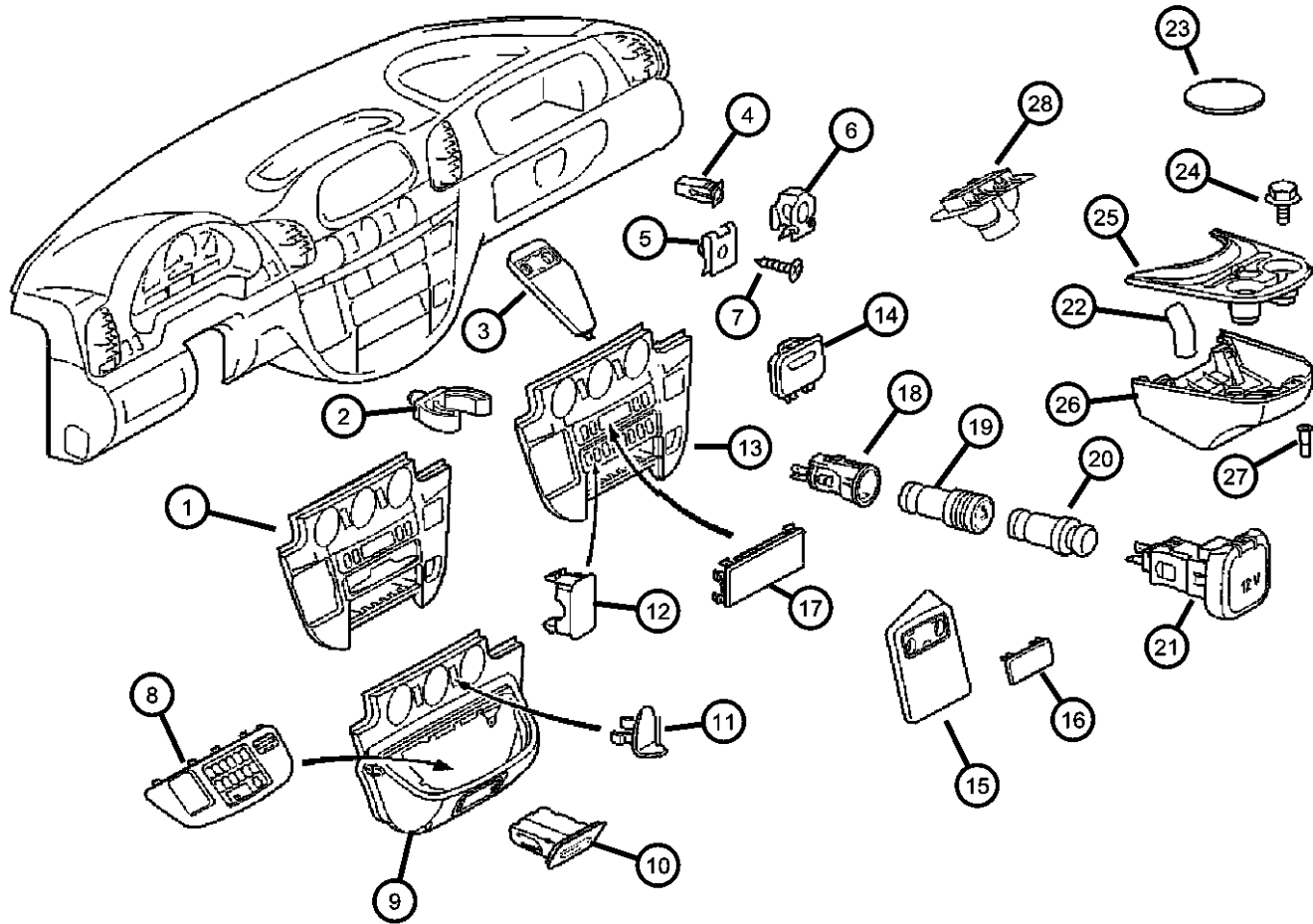
SERIES	LINE	BODY	ENGINE	TRANSMISSION
L = LOWLINE	3 = HD DODGE 2WD 8 = HD DODGE 4WD 6 = Lt. Duty DODGE 4WD 2 = Med. Duty DODGE 2WD 7 = Med. Duty DODGE 4WD 4 = TRUCK	01 = CHASSIS FORWARD CONTROL W.B.1 02 = CAB CHASSIS WHEEL BASE 2 06 = CAB CHASSIS WHEEL BASE 6 11 = VAN WHEEL BASE 1 12 = VAN WHEEL BASE 2 51 = WAGON WHEEL BASE 1 52 = WAGON WHEEL BASE 2 14 = VAN WHEEL BASE 4 15 = VAN WHEEL BASE 5 54 = WAGON WHEEL BASE 4 55 = WAGON WHEEL BASE 5 56 = WAGON WHEEL BASE 6 16 = VAN WHEEL BASE 6	EX8 = 2.7L I5 Turbo Diesel Engine EX9 = 2.7L I5 Mercedes-Benz TD Engine	DGJ = 5-Speed Automatic MB Transmission DGZ = 4-Spd. Automatic MT643 Transmission

AR = use ase required - = Non illustrated part

**Instrument Panel Bezel and Related Parts
Figure 08A-110**

ITEM	PART NUMBER	QTY	LINE	SERIES	BODY	ENGINE	TRANS	TRIM	DESCRIPTION
------	-------------	-----	------	--------	------	--------	-------	------	-------------

		1	3, 7	L	02, 06	EX8	DGZ		
		1	3, 7	L	12, 15, 16	EX8	DGZ		



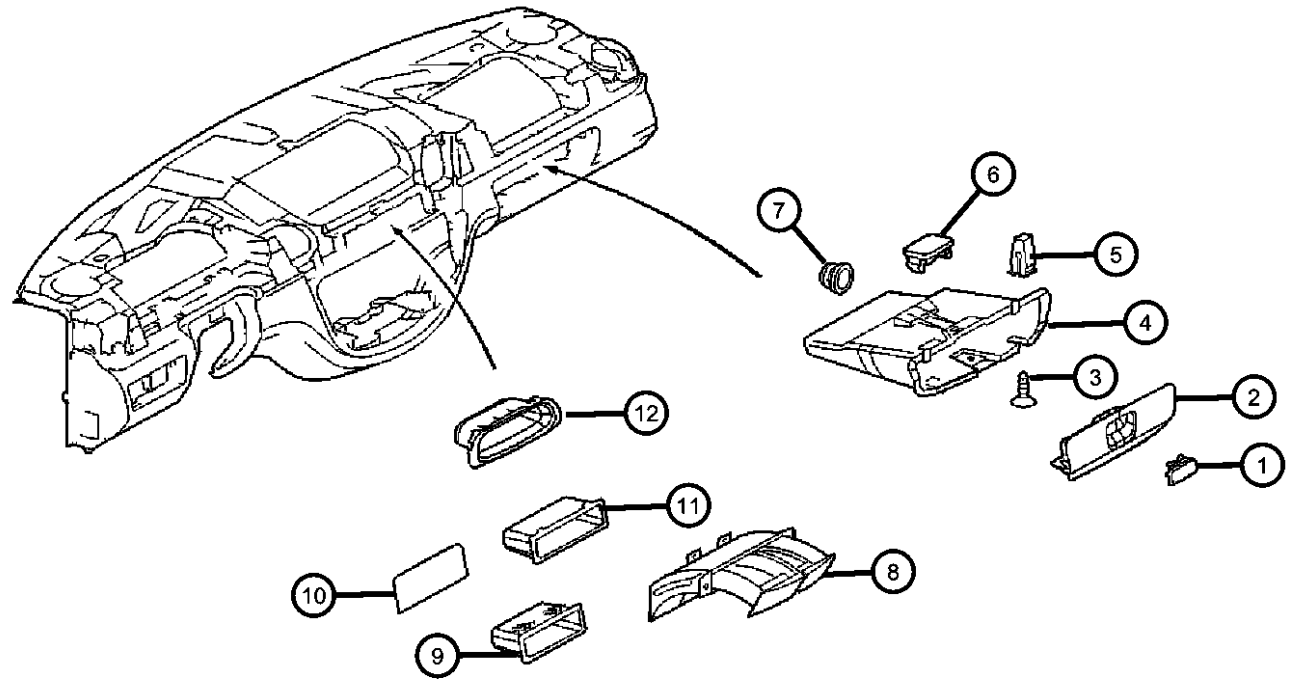
SPRINTER (VA)

SERIES	LINE	BODY	ENGINE	TRANSMISSION
L = LOWLINE	3 = HD DODGE 2WD 8 = HD DODGE 4WD 6 = Lt. Duty DODGE 4WD 2 = Med. Duty DODGE 2WD 7 = Med. Duty DODGE 4WD 4 = TRUCK	01 = CHASSIS FORWARD CONTROL W.B.1 02 = CAB CHASSIS WHEEL BASE 2 06 = CAB CHASSIS WHEEL BASE 6 11 = VAN WHEEL BASE 1 12 = VAN WHEEL BASE 2 51 = WAGON WHEEL BASE 1 52 = WAGON WHEEL BASE 2 14 = VAN WHEEL BASE 4 15 = VAN WHEEL BASE 5 54 = WAGON WHEEL BASE 4 55 = WAGON WHEEL BASE 5 56 = WAGON WHEEL BASE 6 16 = VAN WHEEL BASE 6	EX8 = 2.7L I5 Turbo Diesel Engine EX9 = 2.7L I5 Mercedes-Benz TD Engine	DGJ = 5-Speed Automatic MB Transmission DGZ = 4-Spd. Automatic MT643 Transmission

AR = use ase required - = Non illustrated part

2006 VA

**Ash Reciever and Glove Box
Figure 08A-115**



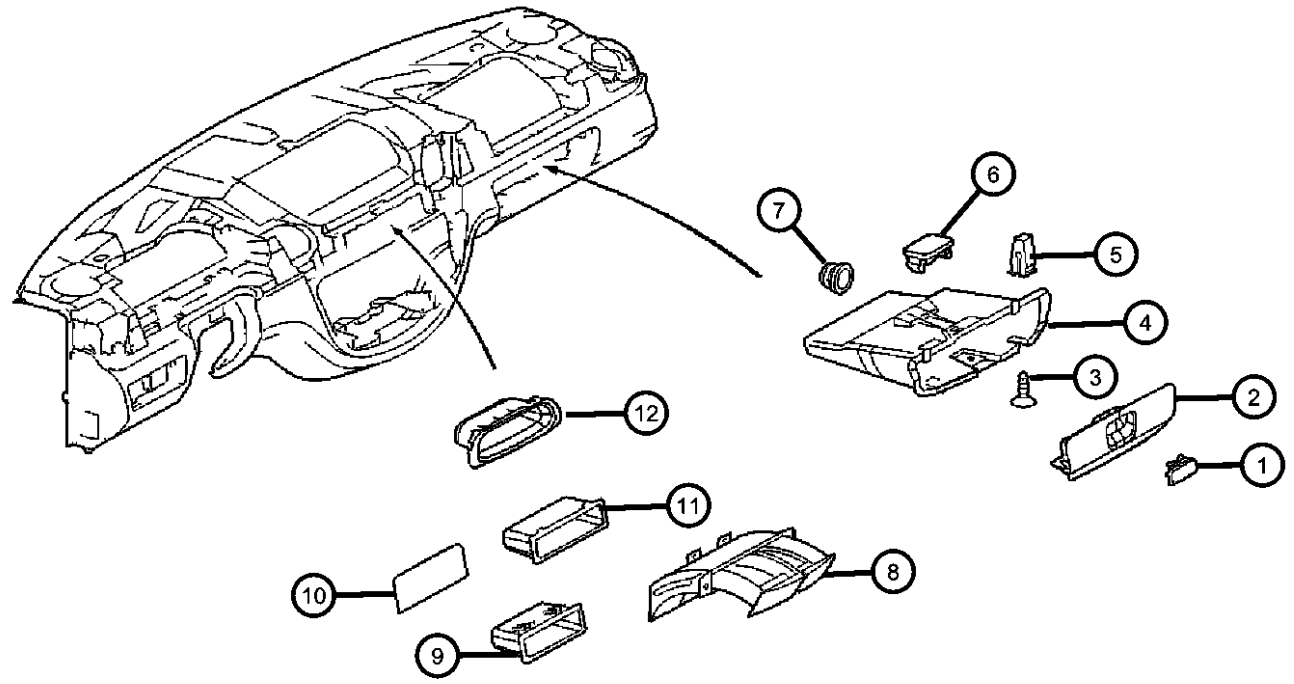
ITEM	PART NUMBER	QTY	LINE	SERIES	BODY	ENGINE	TRANS	TRIM	DESCRIPTION
1									LATCH, Glovebox
	05104257AA	1	2, 6	L	01, 02, 06	EX8	DGZ		
		1	2, 6	L	11, 12, 14, 15, 16	EX8	DGZ		
		1	2, 6	L	51, 52, 54, 55, 56	EX8	DGZ		
		1	3, 7	L	02, 06	EX8	DGZ		
		1	3, 7	L	12, 15, 16	EX8	DGZ		
2									DOOR, Glove Box
	05104260AA	1	2, 6	L	51, 52, 54, 55, 56	EX8	DGZ		
		1	3, 7	L	02, 06	EX8	DGZ		
		1	3, 7	L	12, 15, 16	EX8	DGZ		
		1	2, 6	L	01, 02, 06	EX8	DGZ		
		1	2, 6	L	11, 12, 14, 15, 16	EX8	DGZ		
3									SCREW
	06104610AA	5	2, 6	L	01, 02, 06	EX8	DGZ		
		5	2, 6	L	11, 12, 14, 15, 16	EX8	DGZ		
		5	2, 6	L	51, 52, 54, 55, 56	EX8	DGZ		
		5	3, 7	L	02, 06	EX8	DGZ		
		5	3, 7	L	12, 15, 16	EX8	DGZ		
4									GLOVE BOX, Instrument Panel
	05122413AA	1	2, 6	L	01, 02, 06	EX8	DGZ		
		1	2, 6	L	11, 12, 14, 15, 16	EX8	DGZ		
		1	2, 6	L	51, 52, 54, 55, 56	EX8	DGZ		
		1	3, 7	L	02, 06	EX8	DGZ		
		1	3, 7	L	12, 15, 16	EX8	DGZ		

SPRINTER (VA)

SERIES	LINE	BODY	ENGINE	TRANSMISSION
L = LOWLINE	3 = HD DODGE 2WD 8 = HD DODGE 4WD 6 = Lt. Duty DODGE 4WD 2 = Med. Duty DODGE 2WD 7 = Med. Duty DODGE 4WD 4 = TRUCK	01 = CHASSIS FORWARD CONTROL W.B.1 02 = CAB CHASSIS WHEEL BASE 2 06 = CAB CHASSIS WHEEL BASE 6 11 = VAN WHEEL BASE 1 12 = VAN WHEEL BASE 2 51 = WAGON WHEEL BASE 1 52 = WAGON WHEEL BASE 2 14 = VAN WHEEL BASE 4 15 = VAN WHEEL BASE 5 54 = WAGON WHEEL BASE 4 55 = WAGON WHEEL BASE 5 56 = WAGON WHEEL BASE 6 16 = VAN WHEEL BASE 6	EX8 = 2.7L I5 Turbo Diesel Engine EX9 = 2.7L I5 Mercedes-Benz TD Engine	DGJ = 5-Speed Automatic MB Transmission DGZ = 4-Spd. Automatic MT643 Transmission

AR = use ase required - = Non illustrated part

**Ash Reciever and Glove Box
Figure 08A-115**



ITEM	PART NUMBER	QTY	LINE	SERIES	BODY	ENGINE	TRANS	TRIM	DESCRIPTION
5	05125576AA	2	2, 6	L	51, 52, 54, 55, 56	EX8	DGZ		NUT, Plastic Snap-in
		2	2, 6	L	01, 02, 06	EX8	DGZ		
		2	2, 6	L	11, 12, 14, 15, 16	EX8	DGZ		
		2	3, 7	L	02, 06	EX8	DGZ		
		2	3, 7	L	12, 15, 16	EX8	DGZ		
6	05125551AA	2	2, 6	L	01, 02, 06	EX8	DGZ		PLUG
		2	2, 6	L	11, 12, 14, 15, 16	EX8	DGZ		
		2	2, 6	L	51, 52, 54, 55, 56	EX8	DGZ		
		2	3, 7	L	02, 06	EX8	DGZ		
		2	3, 7	L	12, 15, 16	EX8	DGZ		
7	05103919AA	2	2, 6	L	01, 02, 06	EX8	DGZ		PLUG, Instrument Panel
		2	2, 6	L	11, 12, 14, 15, 16	EX8	DGZ		
		2	2, 6	L	51, 52, 54, 55, 56	EX8	DGZ		
		2	3, 7	L	02, 06	EX8	DGZ		
		2	3, 7	L	12, 15, 16	EX8	DGZ		
8	05124226AA	1	2, 6	L	01, 02, 06	EX8	DGZ		ASH RECEIVER, Instrument Panel
		1	2, 6	L	11, 12, 14, 15, 16	EX8	DGZ		
		1	2, 6	L	51, 52, 54, 55, 56	EX8	DGZ		
		1	3, 7	L	02, 06	EX8	DGZ		
		1	3, 7	L	12, 15, 16	EX8	DGZ		

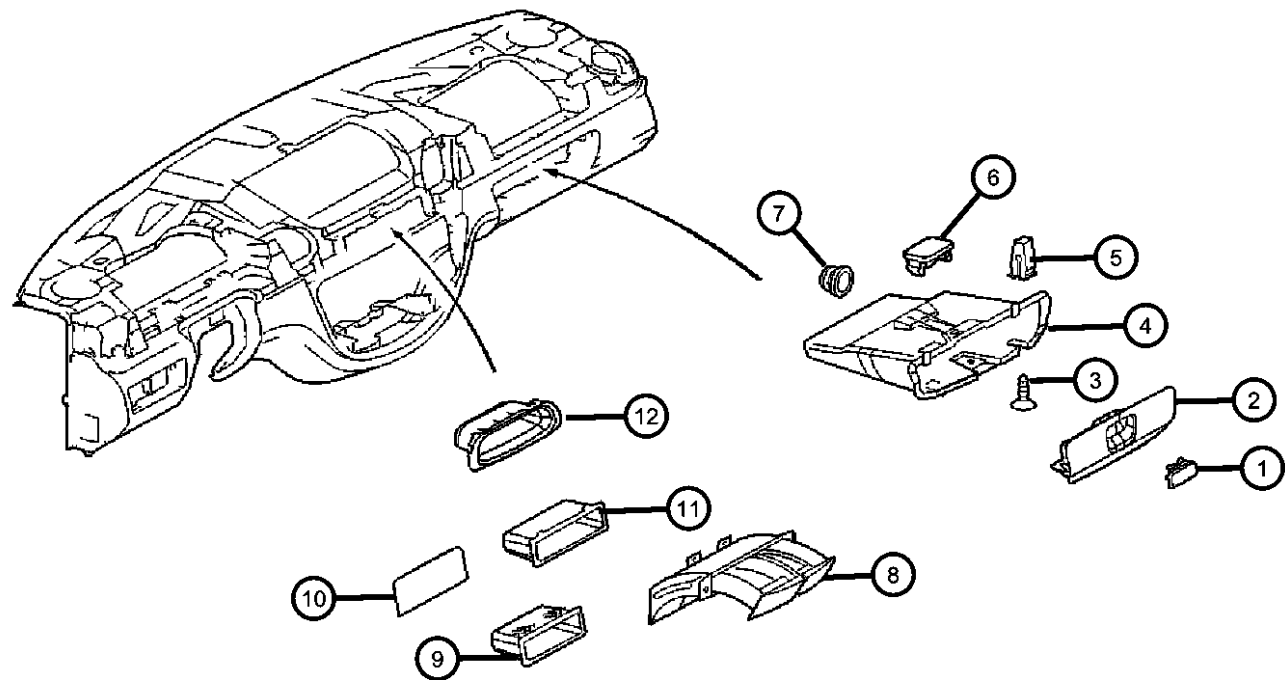
SPRINTER (VA)

SERIES	LINE	BODY	ENGINE	TRANSMISSION
L = LOWLINE	3 = HD DODGE 2WD 8 = HD DODGE 4WD 6 = Lt. Duty DODGE 4WD 2 = Med. Duty DODGE 2WD 7 = Med. Duty DODGE 4WD 4 = TRUCK	01 = CHASSIS FORWARD CONTROL W.B.1 02 = CAB CHASSIS WHEEL BASE 2 06 = CAB CHASSIS WHEEL BASE 6 11 = VAN WHEEL BASE 1 12 = VAN WHEEL BASE 2 51 = WAGON WHEEL BASE 1 52 = WAGON WHEEL BASE 2 14 = VAN WHEEL BASE 4 15 = VAN WHEEL BASE 5 54 = WAGON WHEEL BASE 4 55 = WAGON WHEEL BASE 5 56 = WAGON WHEEL BASE 6 16 = VAN WHEEL BASE 6	EX8 = 2.7L I5 Turbo Diesel Engine EX9 = 2.7L I5 Mercedes-Benz TD Engine	DGJ = 5-Speed Automatic MB Transmission DGZ = 4-Spd. Automatic MT643 Transmission

AR = use ase required - = Non illustrated part

**Ash Reciever and Glove Box
Figure 08A-115**

ITEM	PART NUMBER	QTY	LINE	SERIES	BODY	ENGINE	TRANS	TRIM	DESCRIPTION
9	05122945AA	1	2, 6	L	01, 02, 06	EX8	DGZ		CUBBY BOX, Instrument Panel
		1	2, 6	L	11, 12, 14, 15, 16	EX8	DGZ		
		1	2, 6	L	51, 52, 54, 55, 56	EX8	DGZ		
		1	3, 7	L	02, 06	EX8	DGZ		
		1	3, 7	L	12, 15, 16	EX8	DGZ		
10	05122951AA	1	2, 6	L	01, 02, 06	EX8	DGZ		PAD, Backing
		1	2, 6	L	51, 52, 54, 55, 56	EX8	DGZ		
		1	3, 7	L	02, 06	EX8	DGZ		
		1	2, 6	L	11, 12, 14, 15, 16	EX8	DGZ		
		1	3, 7	L	12, 15, 16	EX8	DGZ		
11	05122948AA	1	2, 6	L	01, 02, 06	EX8	DGZ		CUBBY BOX, Instrument Panel
		1	2, 6	L	11, 12, 14, 15, 16	EX8	DGZ		
		1	2, 6	L	51, 52, 54, 55, 56	EX8	DGZ		
		1	3, 7	L	12, 15, 16	EX8	DGZ		
		1	3, 7	L	02, 06	EX8	DGZ		
12	05122943AA	1	3, 7	L	02, 06	EX8	DGZ		CUBBY BOX, Instrument Panel
		1	3, 7	L	12, 15, 16	EX8	DGZ		



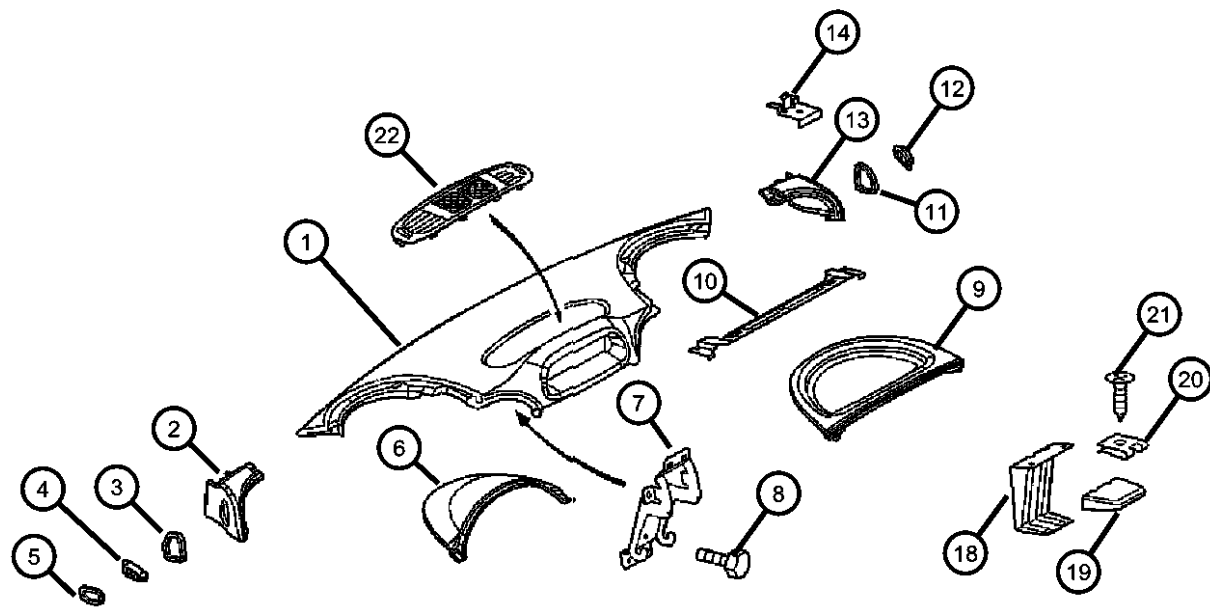
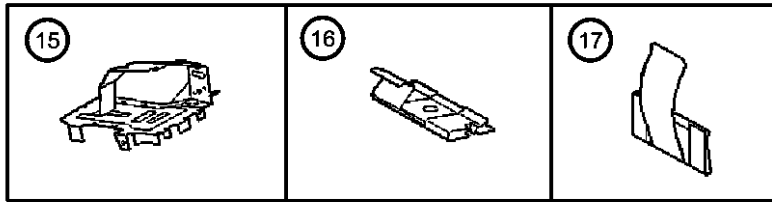
SPRINTER (VA)

SERIES	LINE	BODY	ENGINE	TRANSMISSION
L = LOWLINE	3 = HD DODGE 2WD 8 = HD DODGE 4WD 6 = Lt. Duty DODGE 4WD 2 = Med. Duty DODGE 2WD 7 = Med. Duty DODGE 4WD 4 = TRUCK	01 = CHASSIS FORWARD CONTROL W.B.1 02 = CAB CHASSIS WHEEL BASE 2 06 = CAB CHASSIS WHEEL BASE 6 11 = VAN WHEEL BASE 1 12 = VAN WHEEL BASE 2 51 = WAGON WHEEL BASE 1 52 = WAGON WHEEL BASE 2 14 = VAN WHEEL BASE 4 15 = VAN WHEEL BASE 5 54 = WAGON WHEEL BASE 4 55 = WAGON WHEEL BASE 5 56 = WAGON WHEEL BASE 6 16 = VAN WHEEL BASE 6	EX8 = 2.7L I5 Turbo Diesel Engine EX9 = 2.7L I5 Mercedes-Benz TD Engine	DGJ = 5-Speed Automatic MB Transmission DGZ = 4-Spd. Automatic MT643 Transmission

AR = use ase required - = Non illustrated part

**Instrument Panel Cover and Related Parts
Figure 08A-120**

ITEM	PART NUMBER	QTY	LINE	SERIES	BODY	ENGINE	TRANS	TRIM	DESCRIPTION
1	05122364AA	1	2, 6	L	11, 12, 14, 15, 16	EX8	DGZ		COVER, Instrument Panel With Comfort/Soft Look Dash
		1	2, 6	L	51, 52, 54, 55, 56	EX8	DGZ		With Comfort/Soft Look Dash
		1	3, 7	L	02, 06	EX8	DGZ		With Comfort/Soft Look Dash
		1	2, 6	L	01, 02, 06	EX8	DGZ		With Comfort/Soft Look Dash
		1	3, 7	L	12, 15, 16	EX8	DGZ		With Comfort/Soft Look Dash
2	05122876AA	1	2, 6	L	01, 02, 06	EX8	DGZ		HOUSING, Air Outlet Left
		1	2, 6	L	11, 12, 14, 15, 16	EX8	DGZ		Left
		1	3, 7	L	02, 06	EX8	DGZ		Left
		1	3, 7	L	12, 15, 16	EX8	DGZ		Left
3	05124784AA	1	2, 6	L	01, 02, 06	EX8	DGZ		SEAL Left Demister to Instrument Panel
		1	2, 6	L	11, 12, 14, 15, 16	EX8	DGZ		Left Demister to Instrument Panel
		1	2, 6	L	51, 52, 54, 55, 56	EX8	DGZ		Left Demister to Instrument Panel
		1	3, 7	L	02, 06	EX8	DGZ		Left Demister to Instrument Panel
		1	3, 7	L	12, 15, 16	EX8	DGZ		Left Demister to Instrument Panel
4	05124910AA	1	2, 6	L	01, 02, 06	EX8	DGZ		GRILLE, Demister Left
		1	2, 6	L	11, 12, 14, 15, 16	EX8	DGZ		Left
		1	2, 6	L	51, 52, 54, 55, 56	EX8	DGZ		Left
		1	3, 7	L	02, 06	EX8	DGZ		Left
		1	3, 7	L	12, 15, 16	EX8	DGZ		Left
5									SEAL



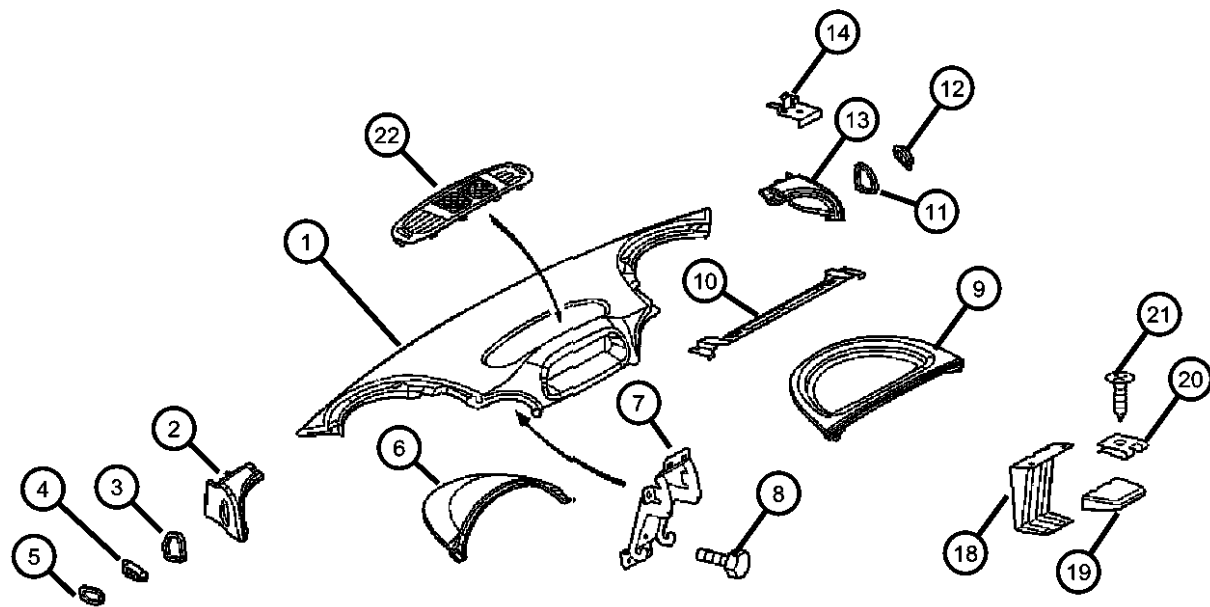
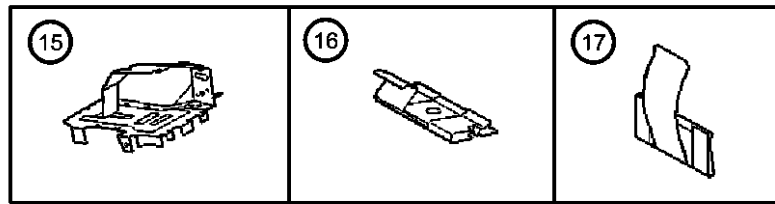
SPRINTER (VA)

SERIES	LINE	BODY	ENGINE	TRANSMISSION
L = LOWLINE	3 = HD DODGE 2WD 8 = HD DODGE 4WD 6 = Lt. Duty DODGE 4WD 2 = Med. Duty DODGE 2WD 7 = Med. Duty DODGE 4WD 4 = TRUCK	01 = CHASSIS FORWARD CONTROL W.B.1 02 = CAB CHASSIS WHEEL BASE 2 06 = CAB CHASSIS WHEEL BASE 6 11 = VAN WHEEL BASE 1 12 = VAN WHEEL BASE 2 51 = WAGON WHEEL BASE 1 52 = WAGON WHEEL BASE 2 14 = VAN WHEEL BASE 4 15 = VAN WHEEL BASE 5 54 = WAGON WHEEL BASE 4 55 = WAGON WHEEL BASE 5 56 = WAGON WHEEL BASE 6 16 = VAN WHEEL BASE 6	EX8 = 2.7L I5 Turbo Diesel Engine EX9 = 2.7L I5 Mercedes-Benz TD Engine	DGJ = 5-Speed Automatic MB Transmission DGZ = 4-Spd. Automatic MT643 Transmission

AR = use ase required - = Non illustrated part

**Instrument Panel Cover and Related Parts
Figure 08A-120**

ITEM	PART NUMBER	QTY	LINE	SERIES	BODY	ENGINE	TRANS	TRIM	DESCRIPTION
6	05124781AA	1	2, 6	L	01, 02, 06	EX8	DGZ		COVER
		1	2, 6	L	11, 12, 14, 15, 16	EX8	DGZ	Left	
		1	2, 6	L	51, 52, 54, 55, 56	EX8	DGZ	Left	
		1	3, 7	L	02, 06	EX8	DGZ	Left	
		1	3, 7	L	12, 15, 16	EX8	DGZ	Left	
7	05122369AA	1	2, 6	L	01, 02, 06	EX8	DGZ		BRACKET, Instrument Panel
		1	2, 6	L	11, 12, 14, 15, 16	EX8	DGZ	Left	
		1	2, 6	L	51, 52, 54, 55, 56	EX8	DGZ	Left	
		1	3, 7	L	02, 06	EX8	DGZ	Left	
		1	3, 7	L	12, 15, 16	EX8	DGZ	Left	
8	05122906AA	1	2, 6	L	01, 02, 06	EX8	DGZ		SCREW
		1	2, 6	L	11, 12, 14, 15, 16	EX8	DGZ		
		1	2, 6	L	51, 52, 54, 55, 56	EX8	DGZ		
		1	3, 7	L	02, 06	EX8	DGZ		
		1	3, 7	L	12, 15, 16	EX8	DGZ		
9	05104663AA	4	2, 6	L	01, 02, 06	EX8	DGZ		BEZEL, Instrument Panel
		4	2, 6	L	11, 12, 14, 15, 16	EX8	DGZ		
		4	3, 7	L	12, 15, 16	EX8	DGZ		
		4	2, 6	L	51, 52, 54, 55, 56	EX8	DGZ		
		4	3, 7	L	02, 06	EX8	DGZ		



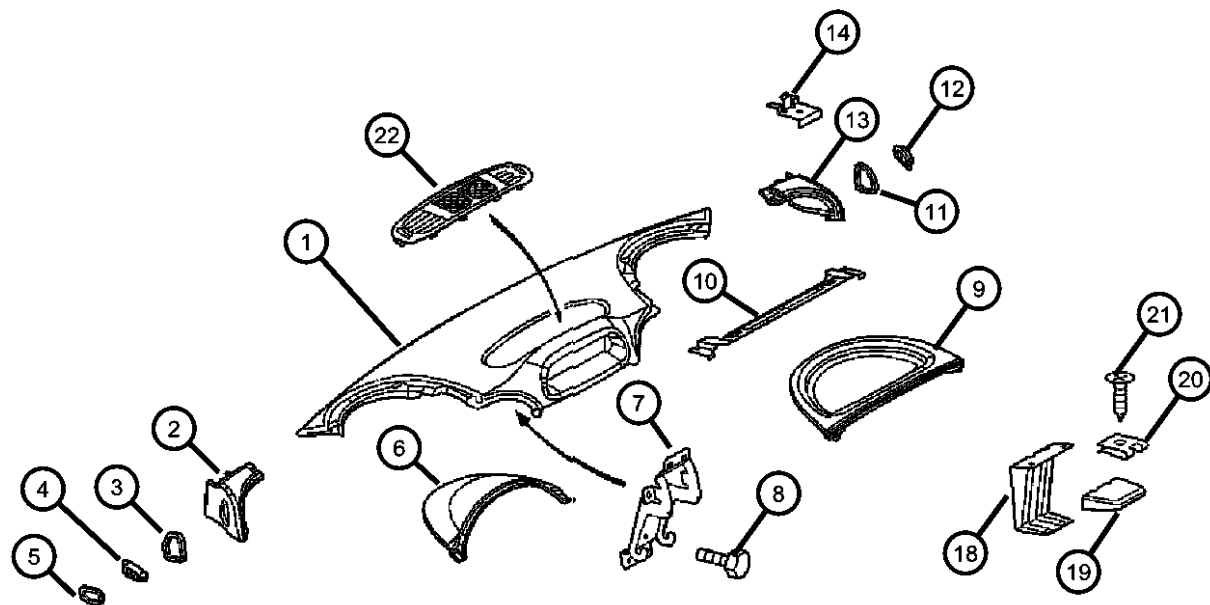
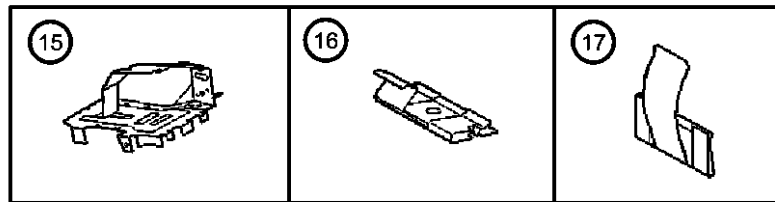
SPRINTER (VA)

SERIES	LINE	BODY	ENGINE	TRANSMISSION
L = LOWLINE	3 = HD DODGE 2WD 8 = HD DODGE 4WD 6 = Lt. Duty DODGE 4WD 2 = Med. Duty DODGE 2WD 7 = Med. Duty DODGE 4WD 4 = TRUCK	01 = CHASSIS FORWARD CONTROL W.B.1 02 = CAB CHASSIS WHEEL BASE 2 06 = CAB CHASSIS WHEEL BASE 6 11 = VAN WHEEL BASE 1 12 = VAN WHEEL BASE 2 51 = WAGON WHEEL BASE 1 52 = WAGON WHEEL BASE 2 14 = VAN WHEEL BASE 4 15 = VAN WHEEL BASE 5 54 = WAGON WHEEL BASE 4 55 = WAGON WHEEL BASE 5 56 = WAGON WHEEL BASE 6 16 = VAN WHEEL BASE 6	EX8 = 2.7L I5 Turbo Diesel Engine EX9 = 2.7L I5 Mercedes-Benz TD Engine	DGJ = 5-Speed Automatic MB Transmission DGZ = 4-Spd. Automatic MT643 Transmission

AR = use ase required - = Non illustrated part

**Instrument Panel Cover and Related Parts
Figure 08A-120**

ITEM	PART NUMBER	QTY	LINE	SERIES	BODY	ENGINE	TRANS	TRIM	DESCRIPTION
	05104268AA	1	2, 6	L	01, 02, 06	EX8	DGZ		Pigeon Hole Top, Right
		1	2, 6	L	11, 12, 14, 15, 16	EX8	DGZ		Pigeon Hole Top, Right
		1	2, 6	L	51, 52, 54, 55, 56	EX8	DGZ		Pigeon Hole Top, Right
		1	3, 7	L	02, 06	EX8	DGZ		Pigeon Hole Top, Right
		1	3, 7	L	12, 15, 16	EX8	DGZ		Pigeon Hole Top, Right
10									BRACKET, Instrument Panel
	05122390AA	1	2, 6	L	01, 02, 06	EX8	DGZ		
		1	2, 6	L	11, 12, 14, 15, 16	EX8	DGZ		
		1	2, 6	L	51, 52, 54, 55, 56	EX8	DGZ		
		1	3, 7	L	02, 06	EX8	DGZ		
		1	3, 7	L	12, 15, 16	EX8	DGZ		
11									SEAL
	05124784AA	1	3, 7	L	02, 06	EX8	DGZ		Demister to Instrument Panel, Right
		1	3, 7	L	12, 15, 16	EX8	DGZ		Demister to Instrument Panel, Right
		1	2, 6	L	01, 02, 06	EX8	DGZ		Demister to Instrument Panel, Right
		1	2, 6	L	11, 12, 14, 15, 16	EX8	DGZ		Demister to Instrument Panel, Right
		1	2, 6	L	51, 52, 54, 55, 56	EX8	DGZ		Demister to Instrument Panel, Right
12									GRILLE, Demister
	05124911AA	1	2, 6	L	01, 02, 06	EX8	DGZ		Right
		1	2, 6	L	11, 12, 14, 15, 16	EX8	DGZ		Right
		1	2, 6	L	51, 52, 54, 55, 56	EX8	DGZ		Right
		1	3, 7	L	02, 06	EX8	DGZ		Right



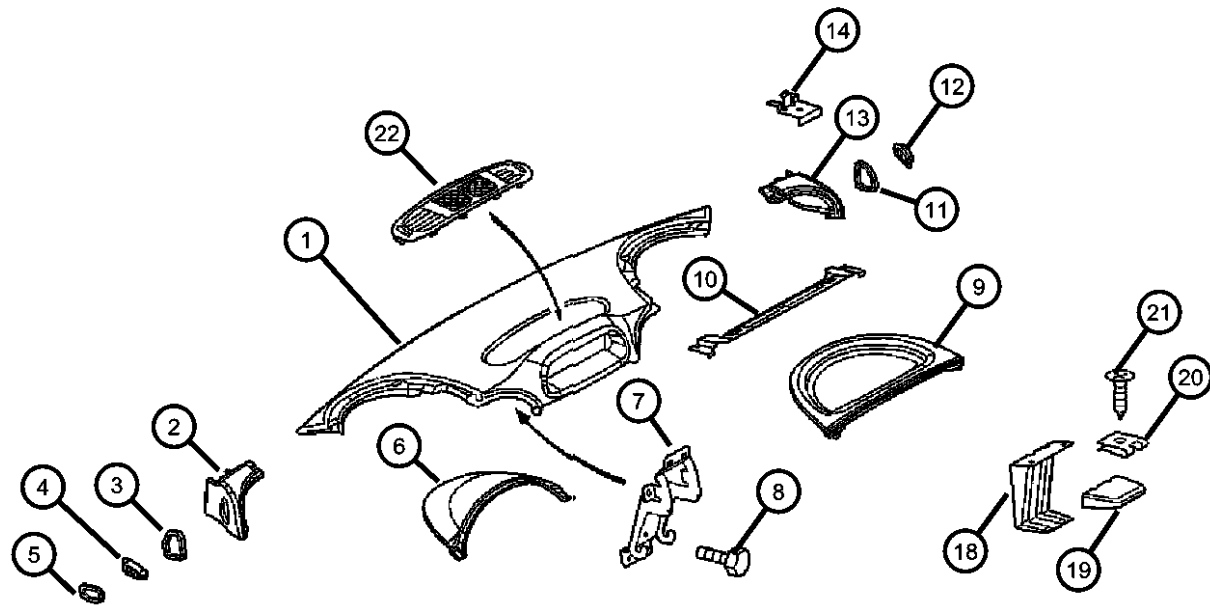
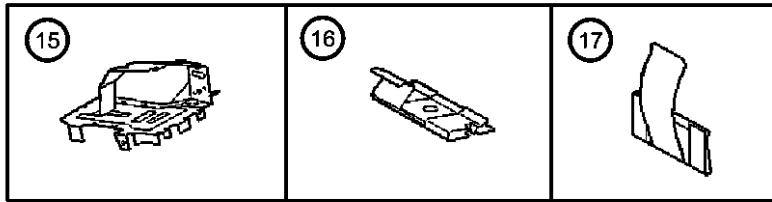
SPRINTER (VA)

SERIES	LINE	BODY	ENGINE	TRANSMISSION
L = LOWLINE	3 = HD DODGE 2WD 8 = HD DODGE 4WD 6 = Lt. Duty DODGE 4WD 2 = Med. Duty DODGE 2WD 7 = Med. Duty DODGE 4WD 4 = TRUCK	01 = CHASSIS FORWARD CONTROL W.B.1 02 = CAB CHASSIS WHEEL BASE 2 06 = CAB CHASSIS WHEEL BASE 6 11 = VAN WHEEL BASE 1 12 = VAN WHEEL BASE 2 51 = WAGON WHEEL BASE 1 52 = WAGON WHEEL BASE 2 14 = VAN WHEEL BASE 4 15 = VAN WHEEL BASE 5 54 = WAGON WHEEL BASE 4 55 = WAGON WHEEL BASE 5 56 = WAGON WHEEL BASE 6 16 = VAN WHEEL BASE 6	EX8 = 2.7L I5 Turbo Diesel Engine EX9 = 2.7L I5 Mercedes-Benz TD Engine	DGJ = 5-Speed Automatic MB Transmission DGZ = 4-Spd. Automatic MT643 Transmission

AR = use ase required - = Non illustrated part

**Instrument Panel Cover and Related Parts
Figure 08A-120**

ITEM	PART NUMBER	QTY	LINE	SERIES	BODY	ENGINE	TRANS	TRIM	DESCRIPTION
13		1	3, 7	L	12, 15, 16	EX8	DGZ		Right HOUSING, Air Outlet
	05122877AA	1	3, 7	L	02, 06	EX8	DGZ		
		1	3, 7	L	12, 15, 16	EX8	DGZ		
		1	2, 6	L	01, 02, 06	EX8	DGZ		
		1	2, 6	L	11, 12, 14, 15, 16	EX8	DGZ		
14									BRACKET, Instrument Panel
	05122889AA	2	2, 6	L	01, 02, 06	EX8	DGZ		
		2	2, 6	L	11, 12, 14, 15, 16	EX8	DGZ		
		2	2, 6	L	51, 52, 54, 55, 56	EX8	DGZ		
		2	3, 7	L	02, 06	EX8	DGZ		
		2	3, 7	L	12, 15, 16	EX8	DGZ		
15									BRACKET, Instrument Panel
	05122388AA	1	2, 6	L	01, 02, 06	EX8			
		1	2, 6	L	11, 12, 14, 15, 16	EX8			
		1	2, 6	L	51, 52, 54, 55, 56	EX8			
		1	3, 7	L	02, 06	EX8			
		1	3, 7	L	12, 15, 16	EX8			
16									CLIP, Bracket
	05125589AA	2	2, 6	L	01, 02, 06	EX8			
		2	2, 6	L	11, 12, 14, 15, 16	EX8			
		2	2, 6	L	51, 52, 54, 55, 56	EX8			
		2	3, 7	L	02, 06	EX8			
		2	3, 7	L	12, 15, 16	EX8			



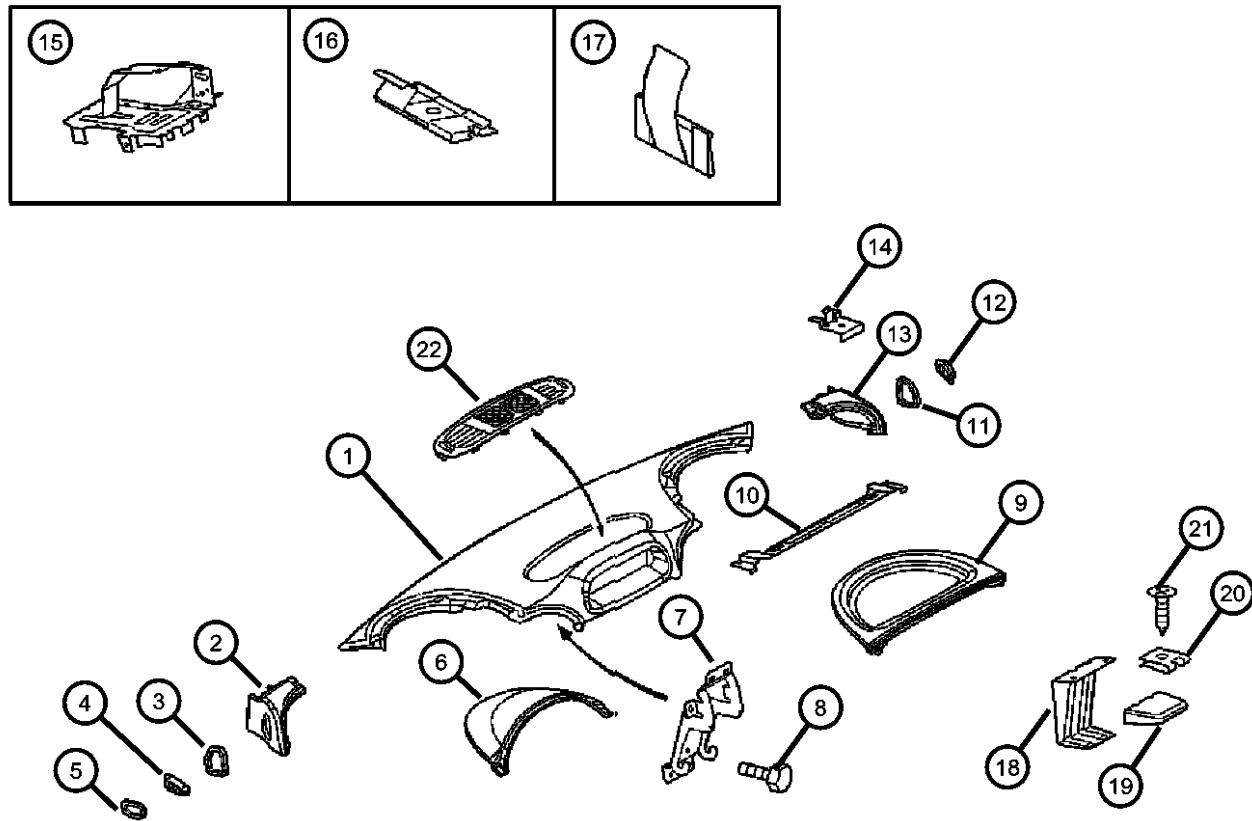
SPRINTER (VA)

SERIES	LINE	BODY	ENGINE	TRANSMISSION
L = LOWLINE	3 = HD DODGE 2WD 8 = HD DODGE 4WD 6 = Lt. Duty DODGE 4WD 2 = Med. Duty DODGE 2WD 7 = Med. Duty DODGE 4WD 4 = TRUCK	01 = CHASSIS FORWARD CONTROL W.B.1 02 = CAB CHASSIS WHEEL BASE 2 06 = CAB CHASSIS WHEEL BASE 6 11 = VAN WHEEL BASE 1 12 = VAN WHEEL BASE 2 51 = WAGON WHEEL BASE 1 52 = WAGON WHEEL BASE 2 14 = VAN WHEEL BASE 4 15 = VAN WHEEL BASE 5 54 = WAGON WHEEL BASE 4 55 = WAGON WHEEL BASE 5 56 = WAGON WHEEL BASE 6 16 = VAN WHEEL BASE 6	EX8 = 2.7L I5 Turbo Diesel Engine EX9 = 2.7L I5 Mercedes-Benz TD Engine	DGJ = 5-Speed Automatic MB Transmission DGZ = 4-Spd. Automatic MT643 Transmission

AR = use ase required - = Non illustrated part

**Instrument Panel Cover and Related Parts
Figure 08A-120**

ITEM	PART NUMBER	QTY	LINE	SERIES	BODY	ENGINE	TRANS	TRIM	DESCRIPTION
17	05125590AA	1	2, 6	L	01, 02, 06	EX8	DGZ		CLIP, Spring
		1	2, 6	L	11, 12, 14, 15, 16	EX8	DGZ		
		1	2, 6	L	51, 52, 54, 55, 56	EX8	DGZ		
		1	3, 7	L	02, 06	EX8	DGZ		
		1	3, 7	L	12, 15, 16	EX8	DGZ		
18	05122394AA	1	2, 6	L	01, 02, 06	EX8	DGZ		BRACKET, Instrument Panel
		1	3, 7	L	02, 06	EX8	DGZ		
		1	3, 7	L	12, 15, 16	EX8	DGZ		
		1	2, 6	L	11, 12, 14, 15, 16	EX8	DGZ		
		1	2, 6	L	51, 52, 54, 55, 56	EX8	DGZ		
19	05122942AA	1	2, 6	L	01, 02, 06	EX8	DGZ		PAD, Console Intermediate
		1	2, 6	L	11, 12, 14, 15, 16	EX8	DGZ		Intermediate
		1	2, 6	L	51, 52, 54, 55, 56	EX8	DGZ		Intermediate
		1	3, 7	L	02, 06	EX8	DGZ		Intermediate
		1	3, 7	L	12, 15, 16	EX8	DGZ		Intermediate
20	05125867AA	2	2, 6	L	01, 02, 06	EX8	DGZ		NUT, Clip-On
		2	2, 6	L	11, 12, 14, 15, 16	EX8	DGZ		
		2	2, 6	L	51, 52, 54, 55, 56	EX8	DGZ		
		2	3, 7	L	02, 06	EX8	DGZ		
		2	3, 7	L	12, 15, 16	EX8	DGZ		



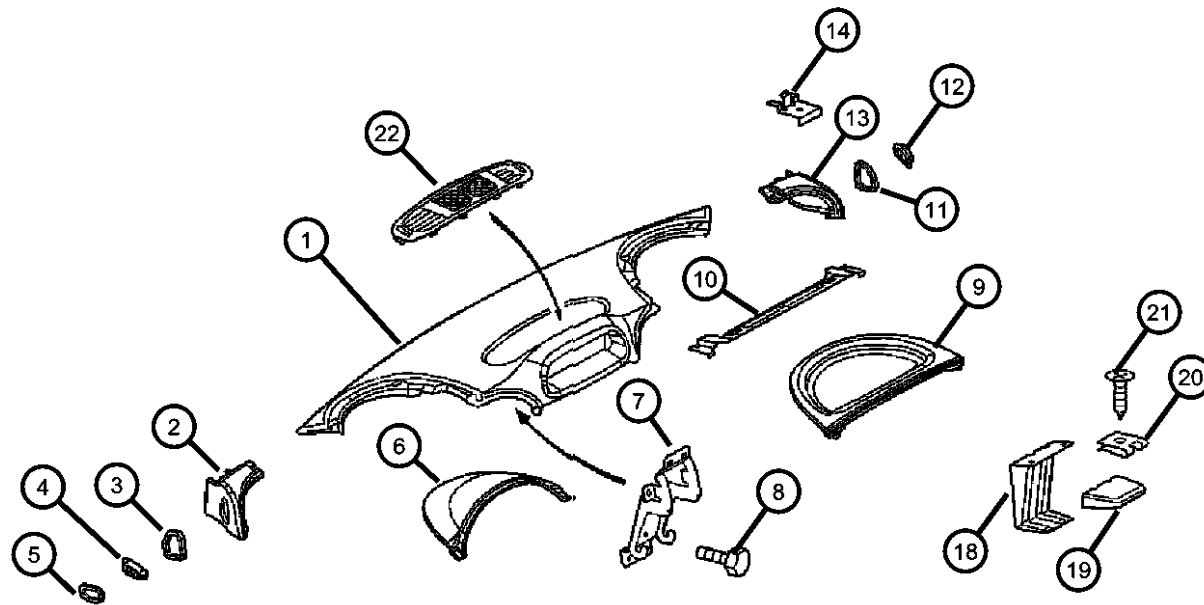
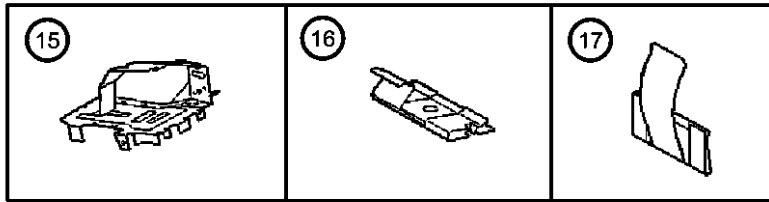
SPRINTER (VA)

SERIES	LINE	BODY	ENGINE	TRANSMISSION
L = LOWLINE	3 = HD DODGE 2WD 8 = HD DODGE 4WD 6 = Lt. Duty DODGE 4WD 2 = Med. Duty DODGE 2WD 7 = Med. Duty DODGE 4WD 4 = TRUCK	01 = CHASSIS FORWARD CONTROL W.B.1 02 = CAB CHASSIS WHEEL BASE 2 06 = CAB CHASSIS WHEEL BASE 6 11 = VAN WHEEL BASE 1 12 = VAN WHEEL BASE 2 51 = WAGON WHEEL BASE 1 52 = WAGON WHEEL BASE 2 14 = VAN WHEEL BASE 4 15 = VAN WHEEL BASE 5 54 = WAGON WHEEL BASE 4 55 = WAGON WHEEL BASE 5 56 = WAGON WHEEL BASE 6 16 = VAN WHEEL BASE 6	EX8 = 2.7L I5 Turbo Diesel Engine EX9 = 2.7L I5 Mercedes-Benz TD Engine	DGJ = 5-Speed Automatic MB Transmission DGZ = 4-Spd. Automatic MT643 Transmission

AR = use ase required - = Non illustrated part

**Instrument Panel Cover and Related Parts
Figure 08A-120**

ITEM	PART NUMBER	QTY	LINE	SERIES	BODY	ENGINE	TRANS	TRIM	DESCRIPTION
21	06104610AA	2	2, 6	L	11, 12, 14, 15, 16	EX8	DGZ		SCREW
		2	2, 6	L	51, 52, 54, 55, 56	EX8	DGZ		
		5	2, 6	L	01, 02, 06	EX8	DGZ		
		2	3, 7	L	02, 06	EX8	DGZ		
		2	3, 7	L	12, 15, 16	EX8	DGZ		
22	05104271AA	1	2, 6	L	01, 02, 06	EX8	DGZ		GRILLE, Defroster
		1	2, 6	L	11, 12, 14, 15, 16	EX8	DGZ		
		1	2, 6	L	51, 52, 54, 55, 56	EX8	DGZ		
		1	3, 7	L	02, 06	EX8	DGZ		
		1	3, 7	L	12, 15, 16	EX8	DGZ		

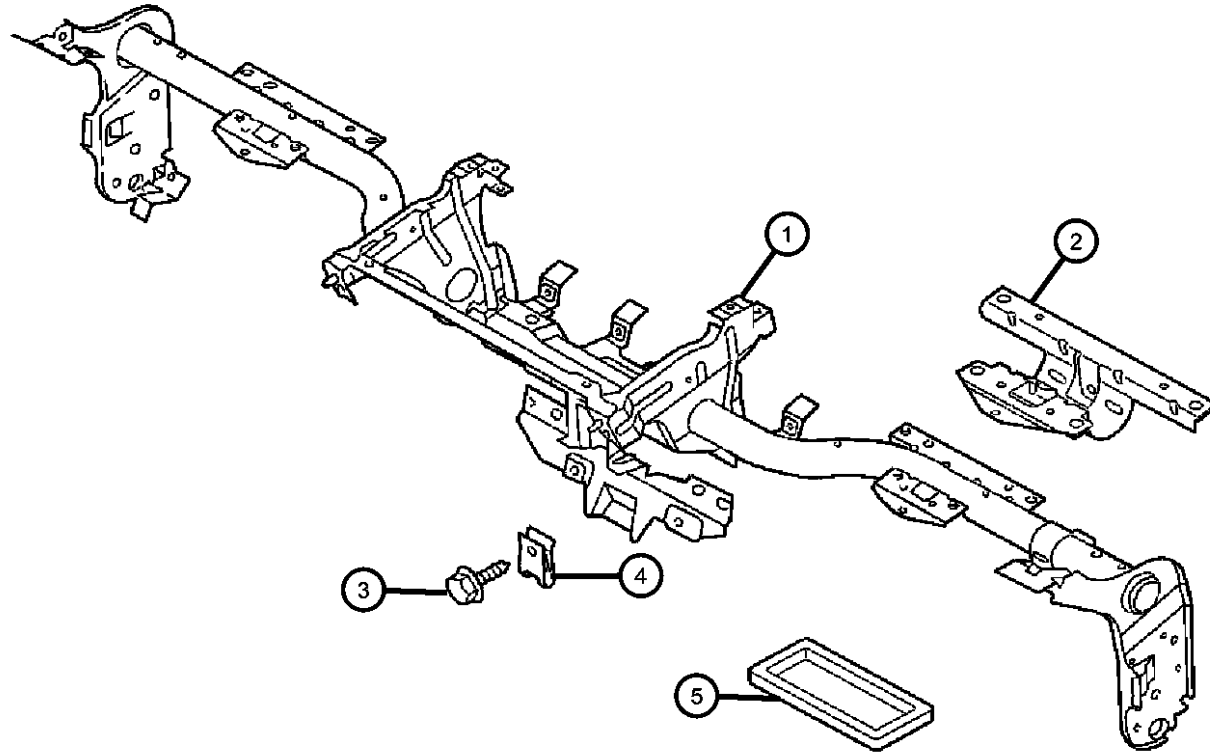


SPRINTER (VA)

SERIES	LINE	BODY	ENGINE	TRANSMISSION
L = LOWLINE	3 = HD DODGE 2WD 8 = HD DODGE 4WD 6 = Lt. Duty DODGE 4WD 2 = Med. Duty DODGE 2WD 7 = Med. Duty DODGE 4WD 4 = TRUCK	01 = CHASSIS FORWARD CONTROL W.B.1 02 = CAB CHASSIS WHEEL BASE 2 06 = CAB CHASSIS WHEEL BASE 6 11 = VAN WHEEL BASE 1 12 = VAN WHEEL BASE 2 51 = WAGON WHEEL BASE 1 52 = WAGON WHEEL BASE 2 14 = VAN WHEEL BASE 4 15 = VAN WHEEL BASE 5 54 = WAGON WHEEL BASE 4 55 = WAGON WHEEL BASE 5 56 = WAGON WHEEL BASE 6 16 = VAN WHEEL BASE 6	EX8 = 2.7L I5 Turbo Diesel Engine EX9 = 2.7L I5 Mercedes-Benz TD Engine	DGJ = 5-Speed Automatic MB Transmission DGZ = 4-Spd. Automatic MT643 Transmission

AR = use ase required - = Non illustrated part

**Instrument Panel Reinforcement
Figure 08A-125**



ITEM	PART NUMBER	QTY	LINE	SERIES	BODY	ENGINE	TRANS	TRIM	DESCRIPTION
1									FRAME, Instrument Panel
	05133470AA	1	2, 6	L	01, 02, 06	EX8	DGZ		
		1	2, 6	L	11, 12, 14, 15, 16	EX8	DGZ		
		1	2, 6	L	51, 52, 54, 55, 56	EX8	DGZ		
		1	3, 7	L	02, 06	EX8	DGZ		
		1	3, 7	L	12, 15, 16	EX8	DGZ		
2									SUPPORT, Instrument Panel
	05122400AA	1	2, 6	L	01, 02, 06	EX8	DGZ		
		1	2, 6	L	11, 12, 14, 15, 16	EX8	DGZ		
		1	2, 6	L	51, 52, 54, 55, 56	EX8	DGZ		
		1	3, 7	L	02, 06	EX8	DGZ		
		1	3, 7	L	12, 15, 16	EX8	DGZ		
3									SCREW
	06104567AA	4	2, 6	L	01, 02, 06	EX8	DGZ		
		4	2, 6	L	11, 12, 14, 15, 16	EX8	DGZ		
		4	2, 6	L	51, 52, 54, 55, 56	EX8	DGZ		
		4	3, 7	L	02, 06	EX8	DGZ		
		4	3, 7	L	12, 15, 16	EX8	DGZ		
4									NUT, Clip-On
	05125853AA	8	2, 6	L	11, 12, 14, 15, 16	EX8	DGZ		
		8	2, 6	L	51, 52, 54, 55, 56	EX8	DGZ		
		8	3, 7	L	12, 15, 16	EX8	DGZ		
	05125855AA	6	2, 6	L	01, 02, 06	EX8	DGZ		
		6	3, 7	L	02, 06	EX8	DGZ		

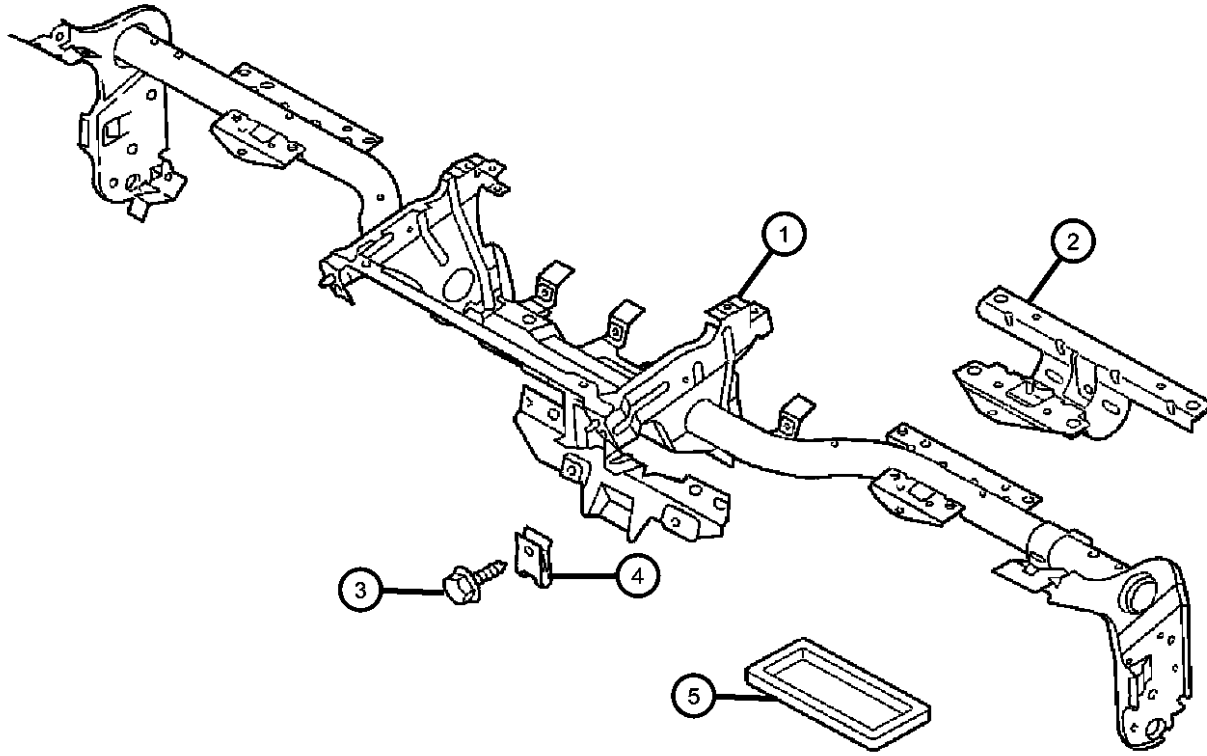
SPRINTER (VA)

SERIES	LINE	BODY	ENGINE	TRANSMISSION
L = LOWLINE	3 = HD DODGE 2WD 8 = HD DODGE 4WD 6 = Lt. Duty DODGE 4WD 2 = Med. Duty DODGE 2WD 7 = Med. Duty DODGE 4WD 4 = TRUCK	01 = CHASSIS FORWARD CONTROL W.B.1 02 = CAB CHASSIS WHEEL BASE 2 06 = CAB CHASSIS WHEEL BASE 6 11 = VAN WHEEL BASE 1 12 = VAN WHEEL BASE 2 51 = WAGON WHEEL BASE 1 52 = WAGON WHEEL BASE 2 14 = VAN WHEEL BASE 4 15 = VAN WHEEL BASE 5 54 = WAGON WHEEL BASE 4 55 = WAGON WHEEL BASE 5 56 = WAGON WHEEL BASE 6 16 = VAN WHEEL BASE 6	EX8 = 2.7L I5 Turbo Diesel Engine EX9 = 2.7L I5 Mercedes-Benz TD Engine	DGJ = 5-Speed Automatic MB Transmission DGZ = 4-Spd. Automatic MT643 Transmission

AR = use ase required - = Non illustrated part

**Instrument Panel Reinforcement
Figure 08A-125**

ITEM	PART NUMBER	QTY	LINE	SERIES	BODY	ENGINE	TRANS	TRIM	DESCRIPTION
5									SEAL
	05124783AA	2	2, 6	L	01, 02, 06	EX8	DGZ		
		2	2, 6	L	11, 12, 14, 15, 16	EX8	DGZ		
		2	2, 6	L	51, 52, 54, 55, 56	EX8	DGZ		
		2	3, 7	L	02, 06	EX8	DGZ		
		2	3, 7	L	12, 15, 16	EX8	DGZ		



SPRINTER (VA)

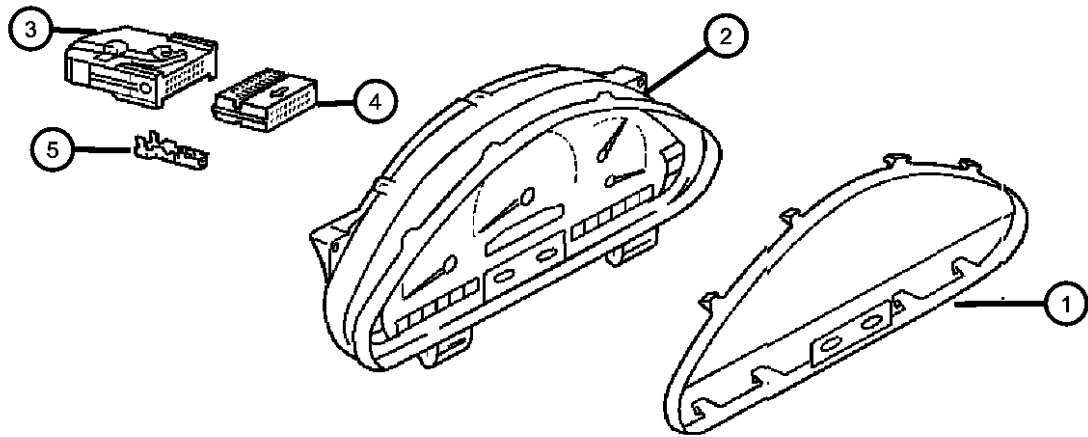
SERIES	LINE	BODY	ENGINE	TRANSMISSION
L = LOWLINE	3 = HD DODGE 2WD 8 = HD DODGE 4WD 6 = Lt. Duty DODGE 4WD 2 = Med. Duty DODGE 2WD 7 = Med. Duty DODGE 4WD 4 = TRUCK	01 = CHASSIS FORWARD CONTROL W.B.1 02 = CAB CHASSIS WHEEL BASE 2 06 = CAB CHASSIS WHEEL BASE 6 11 = VAN WHEEL BASE 1 12 = VAN WHEEL BASE 2 51 = WAGON WHEEL BASE 1 52 = WAGON WHEEL BASE 2 14 = VAN WHEEL BASE 4 15 = VAN WHEEL BASE 5 54 = WAGON WHEEL BASE 4 55 = WAGON WHEEL BASE 5 56 = WAGON WHEEL BASE 6 16 = VAN WHEEL BASE 6	EX8 = 2.7L I5 Turbo Diesel Engine EX9 = 2.7L I5 Mercedes-Benz TD Engine	DGJ = 5-Speed Automatic MB Transmission DGZ = 4-Spd. Automatic MT643 Transmission

AR = use ase required - = Non illustrated part

2006 VA

**Instrument Panel Cluster
Figure 08A-205**

ITEM	PART NUMBER	QTY	LINE	SERIES	BODY	ENGINE	TRANS	TRIM	DESCRIPTION
1									LENS, Cluster
	05103657AA	1	2, 6	L	01, 02, 06	EX8	DGZ		
		1	2, 6	L	11, 12, 14, 15, 16	EX8	DGZ		
		1	2, 6	L	51, 52, 54, 55, 56	EX8	DGZ		
		1	3, 7	L	02, 06	EX8	DGZ		
		1	3, 7	L	12, 15, 16	EX8	DGZ		
2									CLUSTER, Instrument Panel
	05174082AC	1	2, 6	L	01, 02, 06	EX8	DGZ		[4Z2,4Z1]
		1	2, 6	L	11, 12, 14, 15, 16	EX8	DGZ		[4Z2,4Z1]
		1	2, 6	L	51, 52, 54, 55, 56	EX8	DGZ		[4Z2,4Z1]
		1	3, 7	L	02, 06	EX8	DGZ		[4Z2,4Z1]
		1	3, 7	L	12, 15, 16	EX8	DGZ		[4Z2,4Z1]
	05174083AA	1	2, 6	L	01, 02, 06	EX8	DGZ		[3SL,4XS]
		1	2, 6	L	11, 12, 14, 15, 16	EX8	DGZ		[3SL,4XS]
		1	2, 6	L	51, 52, 54, 55, 56	EX8	DGZ		[3SL,4XS]
		1	3, 7	L	02, 06	EX8	DGZ		[3SL,4XS]
		1	3, 7	L	12, 15, 16	EX8	DGZ		[3SL,4XS]
3									CONNECTOR, Wiring
	05120662AA	1	2, 6	L	01, 02, 06	EX8	DGZ		
		1	2, 6	L	11, 12, 14, 15, 16	EX8	DGZ		
		1	2, 6	L	51, 52, 54, 55, 56	EX8	DGZ		
		1	3, 7	L	02, 06	EX8	DGZ		
		1	3, 7	L	12, 15, 16	EX8	DGZ		
4									CONNECTOR



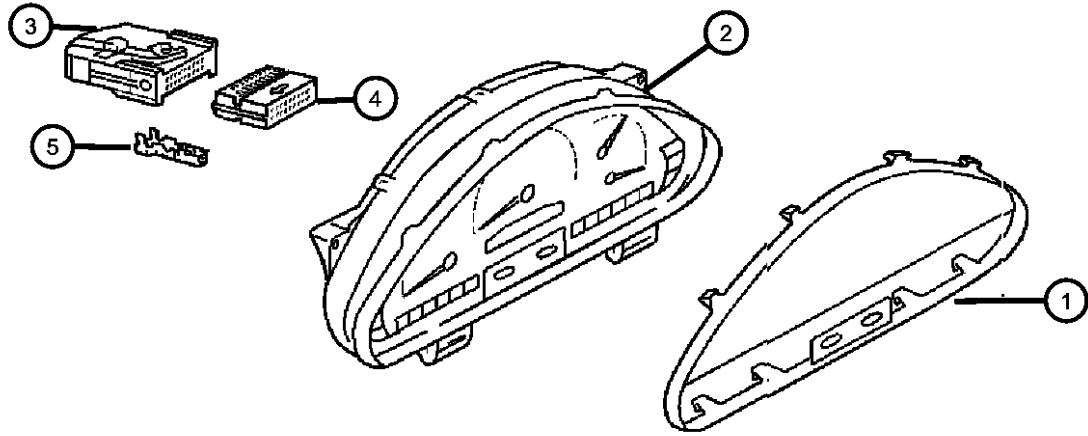
SPRINTER (VA)

SERIES	LINE	BODY	ENGINE	TRANSMISSION
L = LOWLINE	3 = HD DODGE 2WD 8 = HD DODGE 4WD 6 = Lt. Duty DODGE 4WD 2 = Med. Duty DODGE 2WD 7 = Med. Duty DODGE 4WD 4 = TRUCK	01 = CHASSIS FORWARD CONTROL W.B.1 02 = CAB CHASSIS WHEEL BASE 2 06 = CAB CHASSIS WHEEL BASE 6 11 = VAN WHEEL BASE 1 12 = VAN WHEEL BASE 2 51 = WAGON WHEEL BASE 1 52 = WAGON WHEEL BASE 2 14 = VAN WHEEL BASE 4 15 = VAN WHEEL BASE 5 54 = WAGON WHEEL BASE 4 55 = WAGON WHEEL BASE 5 56 = WAGON WHEEL BASE 6 16 = VAN WHEEL BASE 6	EX8 = 2.7L I5 Turbo Diesel Engine EX9 = 2.7L I5 Mercedes-Benz TD Engine	DGJ = 5-Speed Automatic MB Transmission DGZ = 4-Spd. Automatic MT643 Transmission

AR = use ase required - = Non illustrated part

**Instrument Panel Cluster
Figure 08A-205**

ITEM	PART NUMBER	QTY	LINE	SERIES	BODY	ENGINE	TRANS	TRIM	DESCRIPTION
	05103750AA	1	2, 6	L	01, 02, 06	EX8	DGZ		
		1	2, 6	L	11, 12, 14, 15, 16	EX8	DGZ		
		1	2, 6	L	51, 52, 54, 55, 56	EX8	DGZ		
		1	3, 7	L	12, 15, 16	EX8	DGZ		
		1	3, 7	L	02, 06	EX8	DGZ		
5	05103873AA	99	2, 6	L	01, 02, 06	EX8	DGZ		TERMINAL
		99	2, 6	L	11, 12, 14, 15, 16	EX8	DGZ		
		99	2, 6	L	51, 52, 54, 55, 56	EX8	DGZ		
		99	3, 7	L	02, 06	EX8	DGZ		
		99	3, 7	L	12, 15, 16	EX8	DGZ		



SPRINTER (VA)

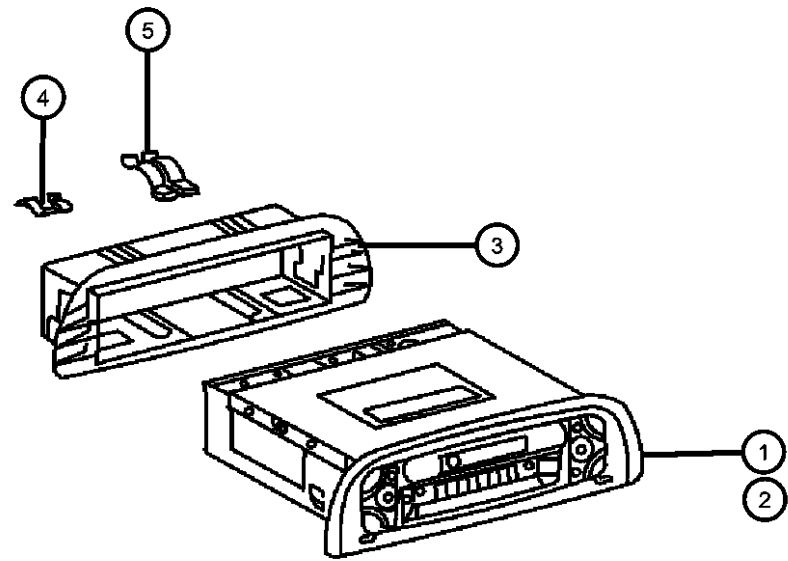
SERIES	LINE	BODY	ENGINE	TRANSMISSION
L = LOWLINE	3 = HD DODGE 2WD 8 = HD DODGE 4WD 6 = Lt. Duty DODGE 4WD 2 = Med. Duty DODGE 2WD 7 = Med. Duty DODGE 4WD 4 = TRUCK	01 = CHASSIS FORWARD CONTROL W.B.1 02 = CAB CHASSIS WHEEL BASE 2 06 = CAB CHASSIS WHEEL BASE 6 11 = VAN WHEEL BASE 1 12 = VAN WHEEL BASE 2 51 = WAGON WHEEL BASE 1 52 = WAGON WHEEL BASE 2 14 = VAN WHEEL BASE 4 15 = VAN WHEEL BASE 5 54 = WAGON WHEEL BASE 4 55 = WAGON WHEEL BASE 5 56 = WAGON WHEEL BASE 6 16 = VAN WHEEL BASE 6	EX8 = 2.7L I5 Turbo Diesel Engine EX9 = 2.7L I5 Mercedes-Benz TD Engine	DGJ = 5-Speed Automatic MB Transmission DGZ = 4-Spd. Automatic MT643 Transmission

AR = use ase required - = Non illustrated part

2006 VA

**Radio
Figure 08A-305**

ITEM	PART NUMBER	QTY	LINE	SERIES	BODY	ENGINE	TRANS	TRIM	DESCRIPTION
1	05124583AA	1	2, 6	L	01, 02, 06	EX8	DGZ		RADIO [RAF]
		1	2, 6	L	11, 12, 14, 15, 16	EX8	DGZ		[RAF]
		1	2, 6	L	51, 52, 54, 55, 56	EX8	DGZ		[RAF]
		1	3, 7	L	02, 06	EX8	DGZ		[RAF]
		1	3, 7	L	12, 15, 16	EX8	DGZ		[RAF]
2	05124585AA	1	3, 7	L	02, 06	EX8	DGZ		RADIO, AM/FM with CD [RBE]
		1	2, 6	L	01, 02, 06	EX8	DGZ		[RBE]
		1	2, 6	L	11, 12, 14, 15, 16	EX8	DGZ		[RBE]
		1	2, 6	L	51, 52, 54, 55, 56	EX8	DGZ		[RBE]
		1	3, 7	L	12, 15, 16	EX8	DGZ		[RBE]
3	05122939AA	1	2, 6	L	01, 02, 06	EX8	DGZ		BEZEL, Instrument Panel, Radio Housing
		1	3, 7	L	12, 15, 16	EX8	DGZ		
		1	2, 6	L	11, 12, 14, 15, 16	EX8	DGZ		
		1	2, 6	L	51, 52, 54, 55, 56	EX8	DGZ		
		1	3, 7	L	02, 06	EX8	DGZ		
4	05124612AA	2	2, 6	L	01, 02, 06	EX8	DGZ		CLIP, Spring
		2	2, 6	L	11, 12, 14, 15, 16	EX8	DGZ		
		2	2, 6	L	51, 52, 54, 55, 56	EX8	DGZ		
		2	3, 7	L	02, 06	EX8	DGZ		
		2	3, 7	L	12, 15, 16	EX8	DGZ		



SPRINTER (VA)

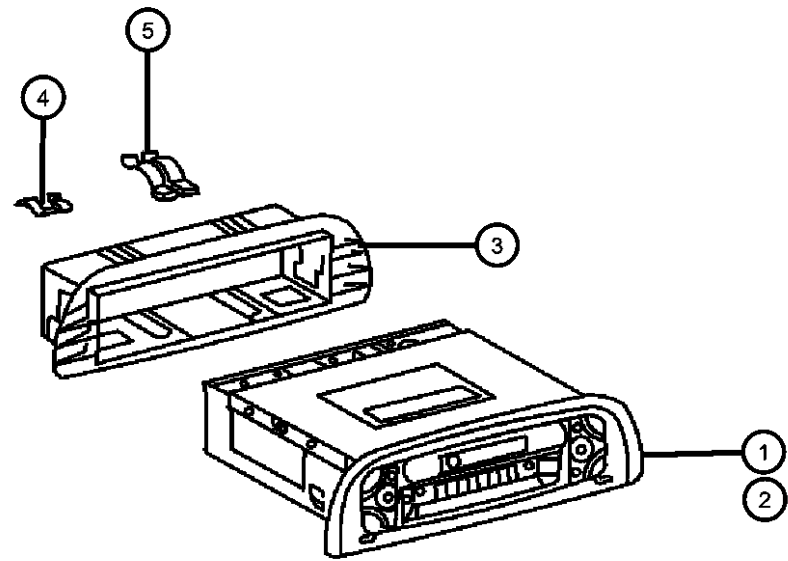
SERIES	LINE	BODY	ENGINE	TRANSMISSION
L = LOWLINE	3 = HD DODGE 2WD 8 = HD DODGE 4WD 6 = Lt. Duty DODGE 4WD 2 = Med. Duty DODGE 2WD 7 = Med. Duty DODGE 4WD 4 = TRUCK	01 = CHASSIS FORWARD CONTROL W.B.1 02 = CAB CHASSIS WHEEL BASE 2 06 = CAB CHASSIS WHEEL BASE 6 11 = VAN WHEEL BASE 1 12 = VAN WHEEL BASE 2 51 = WAGON WHEEL BASE 1 52 = WAGON WHEEL BASE 2 14 = VAN WHEEL BASE 4 15 = VAN WHEEL BASE 5 54 = WAGON WHEEL BASE 4 55 = WAGON WHEEL BASE 5 56 = WAGON WHEEL BASE 6 16 = VAN WHEEL BASE 6	EX8 = 2.7L I5 Turbo Diesel Engine EX9 = 2.7L I5 Mercedes-Benz TD Engine	DGJ = 5-Speed Automatic MB Transmission DGZ = 4-Spd. Automatic MT643 Transmission

AR = use ase required - = Non illustrated part

2006 VA

**Radio
Figure 08A-305**

ITEM	PART NUMBER	QTY	LINE	SERIES	BODY	ENGINE	TRANS	TRIM	DESCRIPTION
5									CLIP, Spring
	05124613AA	2	2, 6	L	11, 12, 14, 15, 16	EX8	DGZ		
		2	2, 6	L	51, 52, 54, 55, 56	EX8	DGZ		
		2	2, 6	L	01, 02, 06	EX8	DGZ		
		2	3, 7	L	02, 06	EX8	DGZ		
		2	3, 7	L	12, 15, 16	EX8	DGZ		

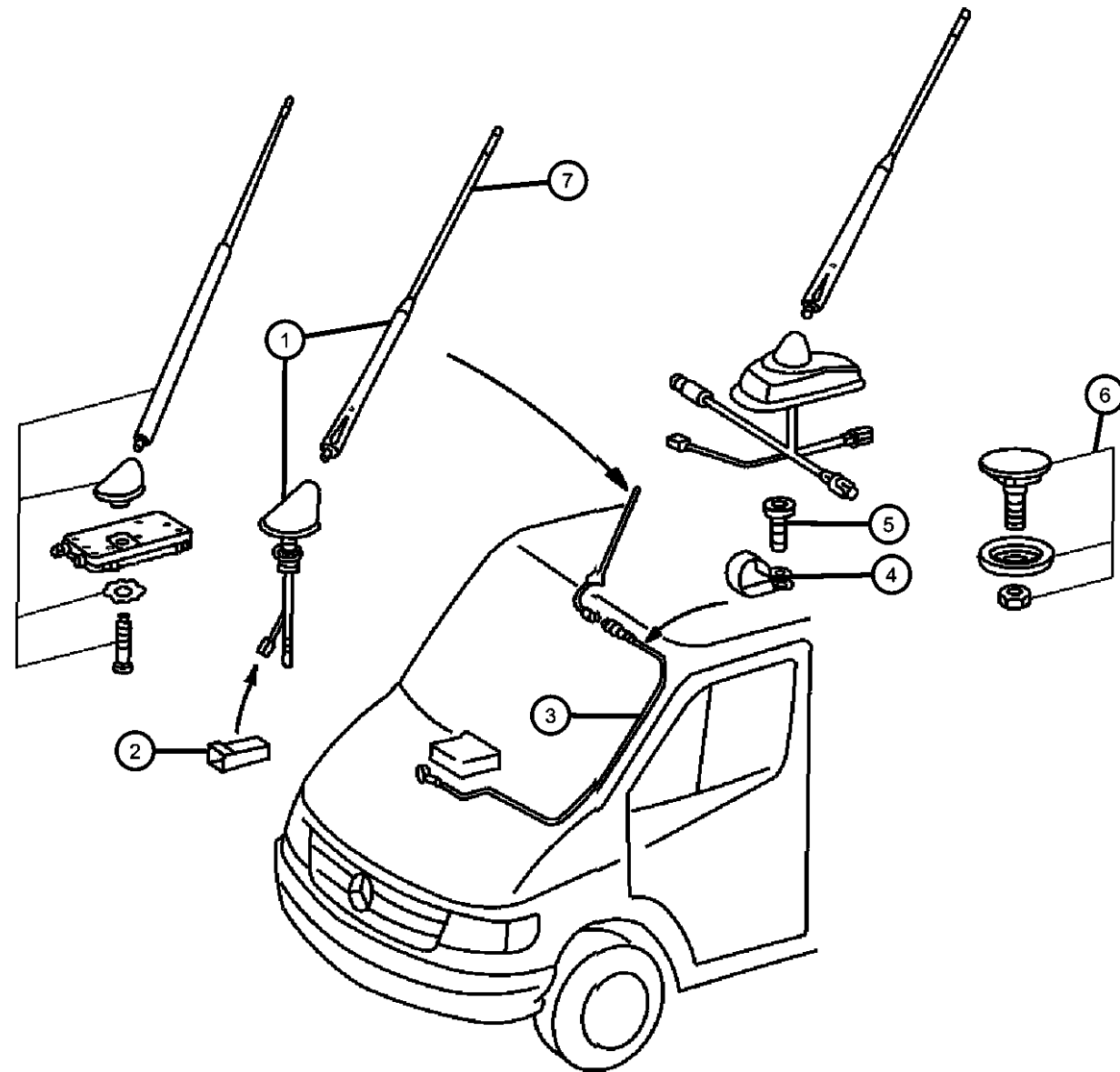


SPRINTER (VA)

SERIES	LINE	BODY	ENGINE	TRANSMISSION
L = LOWLINE	3 = HD DODGE 2WD 8 = HD DODGE 4WD 6 = Lt. Duty DODGE 4WD 2 = Med. Duty DODGE 2WD 7 = Med. Duty DODGE 4WD 4 = TRUCK	01 = CHASSIS FORWARD CONTROL W.B.1 02 = CAB CHASSIS WHEEL BASE 2 06 = CAB CHASSIS WHEEL BASE 6 11 = VAN WHEEL BASE 1 12 = VAN WHEEL BASE 2 51 = WAGON WHEEL BASE 1 52 = WAGON WHEEL BASE 2 14 = VAN WHEEL BASE 4 15 = VAN WHEEL BASE 5 54 = WAGON WHEEL BASE 4 55 = WAGON WHEEL BASE 5 56 = WAGON WHEEL BASE 6 16 = VAN WHEEL BASE 6	EX8 = 2.7L I5 Turbo Diesel Engine EX9 = 2.7L I5 Mercedes-Benz TD Engine	DGJ = 5-Speed Automatic MB Transmission DGZ = 4-Spd. Automatic MT643 Transmission

AR = use ase required - = Non illustrated part

Antenna
Figure 08A-310



ITEM	PART NUMBER	QTY	LINE	SERIES	BODY	ENGINE	TRANS	TRIM	DESCRIPTION
1	05124563AA	1	2, 6	L	01, 02, 06	EX8	DGZ		ANTENNA Base & Antenna
		1	2, 6	L	11, 12, 14, 15, 16	EX8	DGZ		Base & Antenna
		1	2, 6	L	51, 52, 54, 55, 56	EX8	DGZ		Base & Antenna
		1	3, 7	L	02, 06	EX8	DGZ		Base & Antenna
		1	3, 7	L	12, 15, 16	EX8	DGZ		Base & Antenna
		2	05120596AA	1	2, 6	L	11, 14, 15, 16, 12	EX8	DGZ
2	05120596AA	2	2, 6	L	11, 12, 14, 15, 16	EX8	DGZ		
		2	3, 7	L	12, 15, 16	EX8	DGZ		
		3	05133983AA	1	2, 6	L	01, 02, 06	EX8	DGZ
3	05133983AA	1	2, 6	L	11, 12, 14, 15, 16	EX8	DGZ		
		1	2, 6	L	51, 52, 54, 55, 56	EX8	DGZ		
		1	3, 7	L	02, 06	EX8	DGZ		
		1	3, 7	L	12, 15, 16	EX8	DGZ		
		4	05125874AA	1	2, 6	L	01, 02, 06	EX8	DGZ
4	05125874AA	1	2, 6	L	11, 12, 14, 15, 16	EX8	DGZ		
		1	2, 6	L	51, 52, 54, 55, 56	EX8	DGZ		
		1	3, 7	L	02, 06	EX8	DGZ		
		1	3, 7	L	12, 15, 16	EX8	DGZ		
		5	06104504AA	1	2, 6	L	01, 02, 06	EX8	DGZ

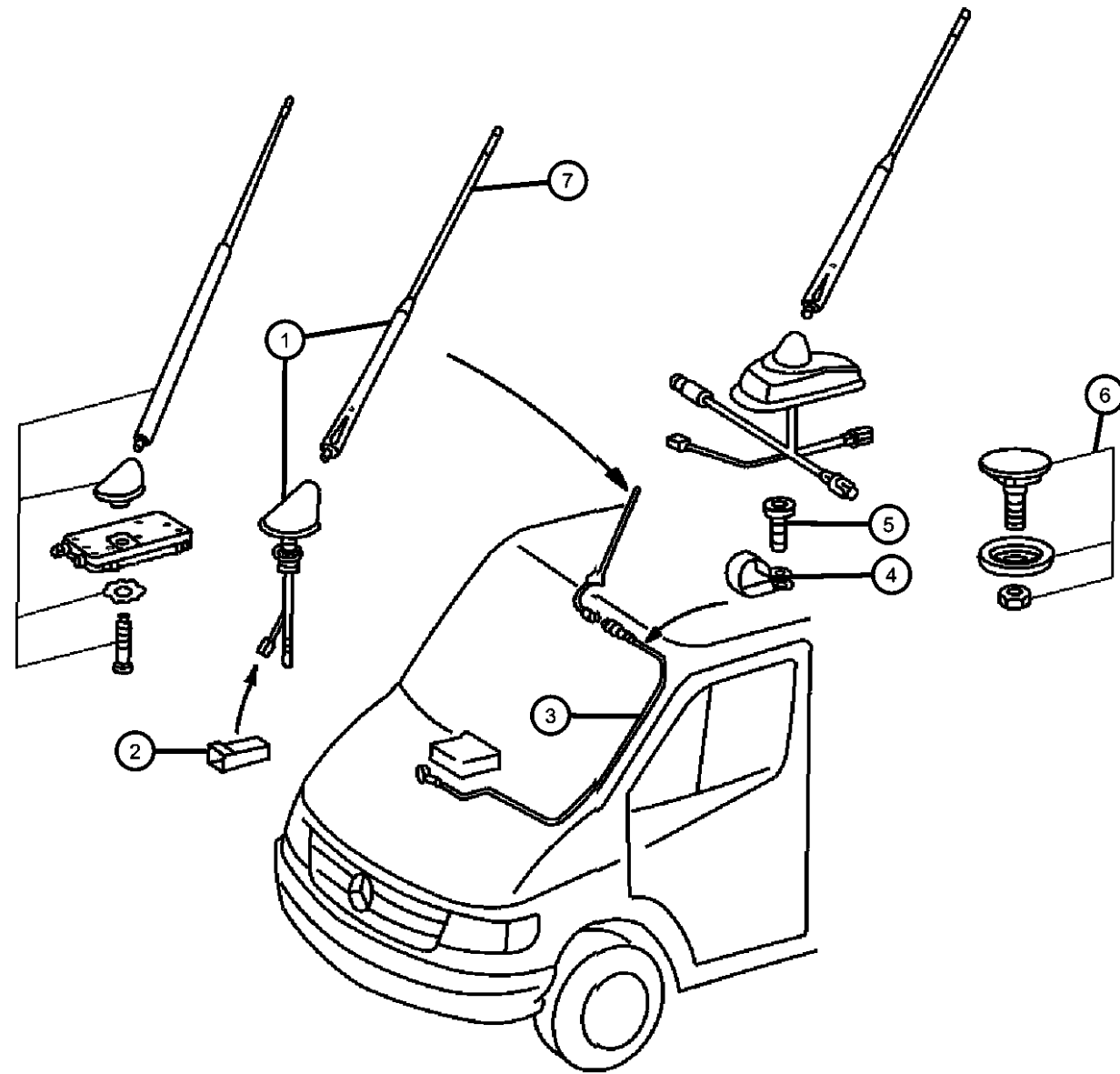
SPRINTER (VA)

SERIES	LINE	BODY	ENGINE	TRANSMISSION
L = LOWLINE	3 = HD DODGE 2WD 8 = HD DODGE 4WD 6 = Lt. Duty DODGE 4WD 2 = Med. Duty DODGE 2WD 7 = Med. Duty DODGE 4WD 4 = TRUCK	01 = CHASSIS FORWARD CONTROL W.B.1 02 = CAB CHASSIS WHEEL BASE 2 06 = CAB CHASSIS WHEEL BASE 6 11 = VAN WHEEL BASE 1 12 = VAN WHEEL BASE 2 51 = WAGON WHEEL BASE 1 52 = WAGON WHEEL BASE 2 14 = VAN WHEEL BASE 4 15 = VAN WHEEL BASE 5 54 = WAGON WHEEL BASE 4 55 = WAGON WHEEL BASE 5 56 = WAGON WHEEL BASE 6 16 = VAN WHEEL BASE 6	EX8 = 2.7L I5 Turbo Diesel Engine EX9 = 2.7L I5 Mercedes-Benz TD Engine	DGJ = 5-Speed Automatic MB Transmission DGZ = 4-Spd. Automatic MT643 Transmission

AR = use ase required - = Non illustrated part

2006 VA

**Antenna
Figure 08A-310**



ITEM	PART NUMBER	QTY	LINE	SERIES	BODY	ENGINE	TRANS	TRIM	DESCRIPTION
		1	2, 6	L	11, 12, 14, 15, 16	EX8	DGZ		
		1	2, 6	L	51, 52, 54, 55, 56	EX8	DGZ		
		1	3, 7	L	02, 06	EX8	DGZ		
		1	3, 7	L	12, 15, 16	EX8	DGZ		
6	05124422AA	1	2, 6	L	01, 02, 06	EX8	DGZ		PANEL
		1	2, 6	L	11, 12, 14, 15, 16	EX8	DGZ		
		1	2, 6	L	51, 52, 54, 55, 56	EX8	DGZ		
		1	3, 7	L	02, 06	EX8	DGZ		
		1	3, 7	L	12, 15, 16	EX8	DGZ		
7	05133980AA	1	2, 6	L	11, 12, 14, 15, 16	EX8	DGZ		ANTENNA Mast Only
		1	2, 6	L	51, 52, 54, 55, 56	EX8	DGZ		Mast Only
		1	3, 7	L	02, 06	EX8	DGZ		Mast Only
		1	3, 7	L	12, 15, 16	EX8	DGZ		Mast Only

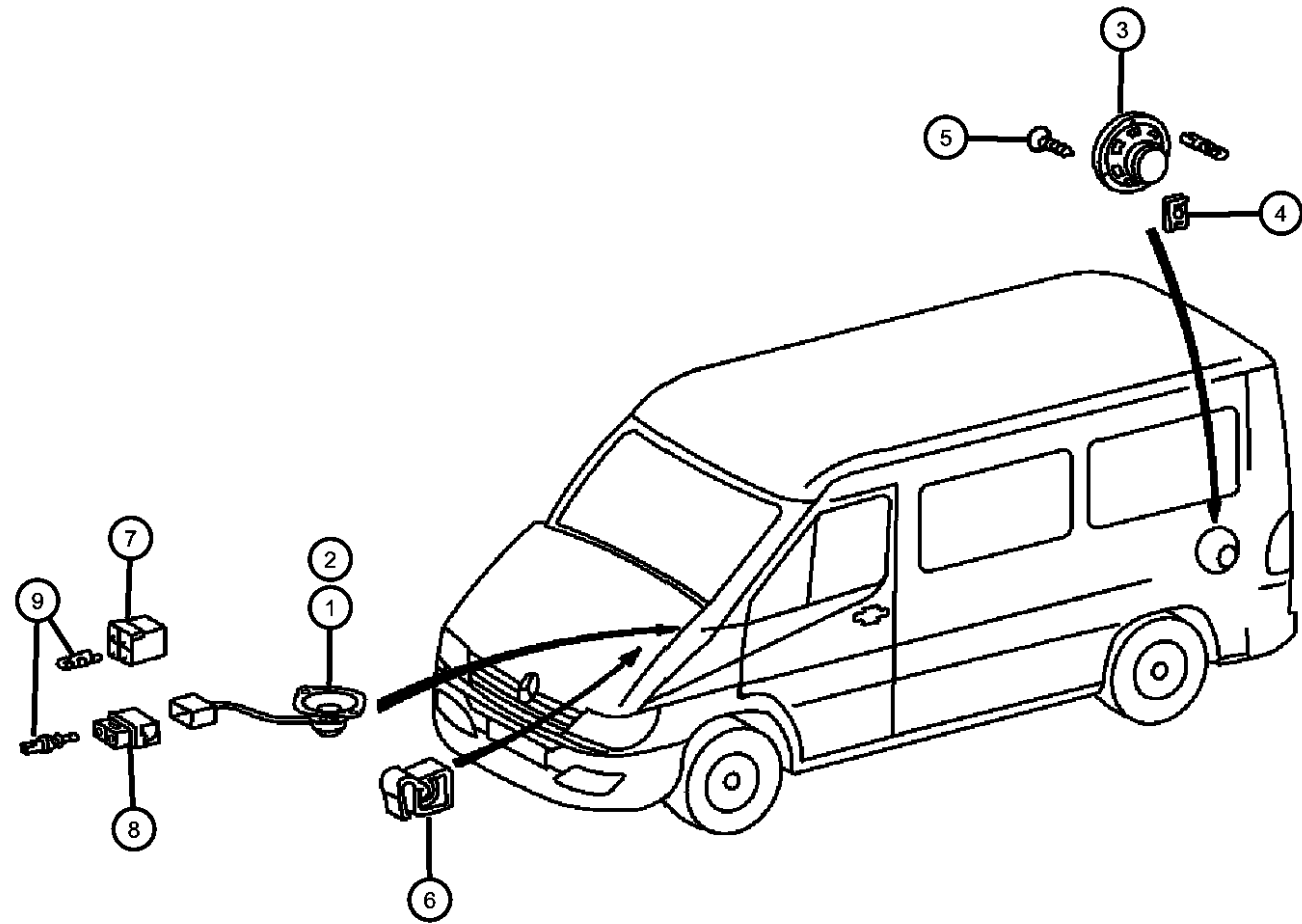
SPRINTER (VA)

SERIES	LINE	BODY	ENGINE	TRANSMISSION
L = LOWLINE	3 = HD DODGE 2WD 8 = HD DODGE 4WD 6 = Lt. Duty DODGE 4WD 2 = Med. Duty DODGE 2WD 7 = Med. Duty DODGE 4WD 4 = TRUCK	01 = CHASSIS FORWARD CONTROL W.B.1 02 = CAB CHASSIS WHEEL BASE 2 06 = CAB CHASSIS WHEEL BASE 6 11 = VAN WHEEL BASE 1 12 = VAN WHEEL BASE 2 51 = WAGON WHEEL BASE 1 52 = WAGON WHEEL BASE 2 14 = VAN WHEEL BASE 4 15 = VAN WHEEL BASE 5 54 = WAGON WHEEL BASE 4 55 = WAGON WHEEL BASE 5 56 = WAGON WHEEL BASE 6 16 = VAN WHEEL BASE 6	EX8 = 2.7L I5 Turbo Diesel Engine EX9 = 2.7L I5 Mercedes-Benz TD Engine	DGJ = 5-Speed Automatic MB Transmission DGZ = 4-Spd. Automatic MT643 Transmission

AR = use ase required - = Non illustrated part

2006 VA

Speakers
Figure 08A-315



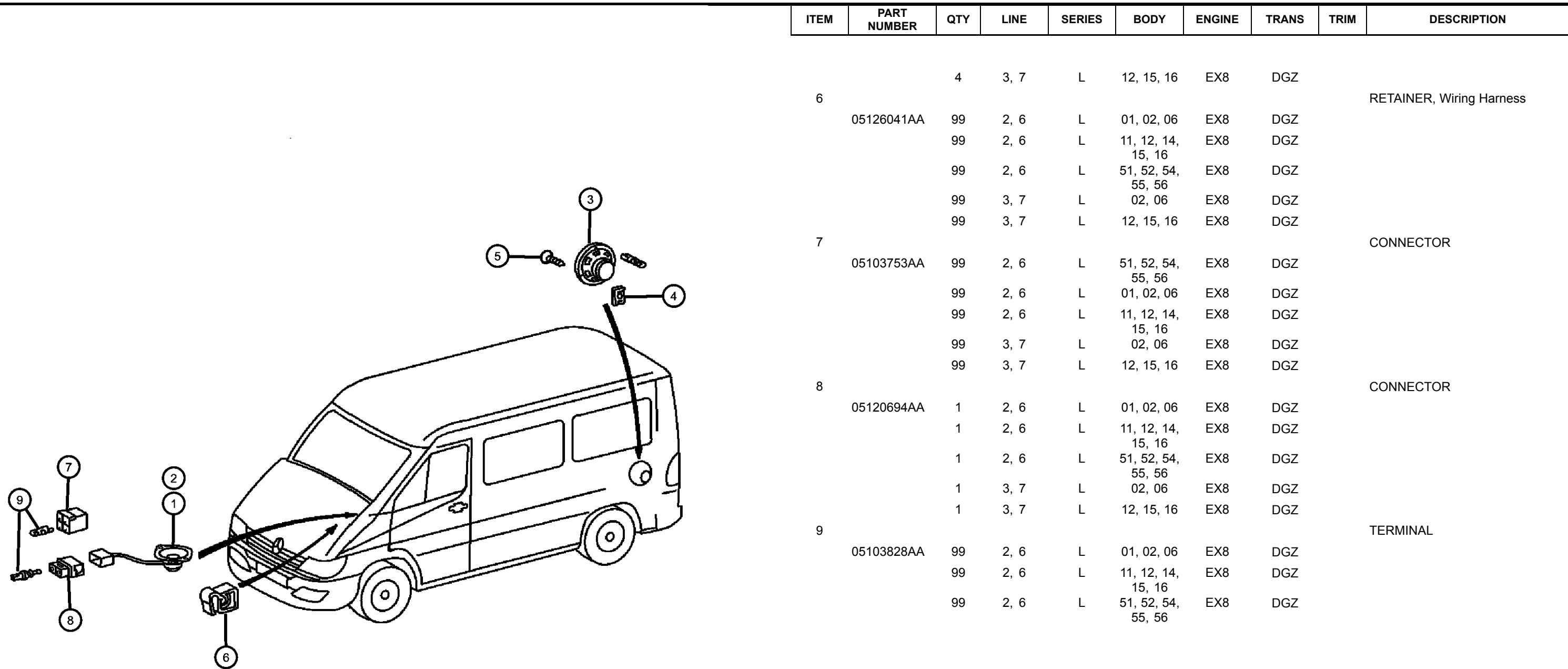
ITEM	PART NUMBER	QTY	LINE	SERIES	BODY	ENGINE	TRANS	TRIM	DESCRIPTION
1									SPEAKER, Front
	05103762AC	2	3, 7	L	12, 15, 16				
		2	2, 6	L	01, 02, 06				
		2	2, 6	L	11, 12, 14, 15, 16				
		2	2, 6	L	51, 52, 54, 55, 56				
2									SPEAKER
	05142455AA	1	2, 6	L	01, 02, 06	EX8	DGZ		
		1	2, 6	L	11, 12, 14, 15, 16	EX8	DGZ		
		1	2, 6	L	51, 52, 54, 55, 56	EX8	DGZ		
		1	3, 7	L	02, 06	EX8	DGZ		
		1	3, 7	L	12, 15, 16	EX8	DGZ		
3									SPEAKER
	05142456AA	2	2, 6	L	11, 12, 14, 15, 16	EX8	DGZ		
		2	2, 6	L	51, 52, 54, 55, 56	EX8	DGZ		
		2	3, 7	L	12, 15, 16	EX8	DGZ		
4									NUT, Clip-On
	05125853AA	8	3, 7	L	12, 15, 16	EX8	DGZ		
		8	2, 6	L	11, 12, 14, 15, 16	EX8	DGZ		
		8	2, 6	L	51, 52, 54, 55, 56	EX8	DGZ		
5									SCREW, Tapping
	06104615AA	4	2, 6	L	01, 02, 06	EX8	DGZ		
		4	2, 6	L	11, 12, 14, 15, 16	EX8	DGZ		
		4	2, 6	L	51, 52, 54, 55, 56	EX8	DGZ		
		4	3, 7	L	02, 06	EX8	DGZ		

SPRINTER (VA)

SERIES	LINE	BODY	ENGINE	TRANSMISSION
L = LOWLINE	3 = HD DODGE 2WD 8 = HD DODGE 4WD 6 = Lt. Duty DODGE 4WD 2 = Med. Duty DODGE 2WD 7 = Med. Duty DODGE 4WD 4 = TRUCK	01 = CHASSIS FORWARD CONTROL W.B.1 02 = CAB CHASSIS WHEEL BASE 2 06 = CAB CHASSIS WHEEL BASE 6 11 = VAN WHEEL BASE 1 12 = VAN WHEEL BASE 2 51 = WAGON WHEEL BASE 1 52 = WAGON WHEEL BASE 2 14 = VAN WHEEL BASE 4 15 = VAN WHEEL BASE 5 54 = WAGON WHEEL BASE 4 55 = WAGON WHEEL BASE 5 56 = WAGON WHEEL BASE 6 16 = VAN WHEEL BASE 6	EX8 = 2.7L I5 Turbo Diesel Engine EX9 = 2.7L I5 Mercedes-Benz TD Engine	DGJ = 5-Speed Automatic MB Transmission DGZ = 4-Spd. Automatic MT643 Transmission

AR = use ase required - = Non illustrated part

**Speakers
Figure 08A-315**



ITEM	PART NUMBER	QTY	LINE	SERIES	BODY	ENGINE	TRANS	TRIM	DESCRIPTION
6	05126041AA	4	3, 7	L	12, 15, 16	EX8	DGZ		RETAINER, Wiring Harness
		99	2, 6	L	01, 02, 06	EX8	DGZ		
		99	2, 6	L	11, 12, 14, 15, 16	EX8	DGZ		
		99	2, 6	L	51, 52, 54, 55, 56	EX8	DGZ		
		99	3, 7	L	02, 06	EX8	DGZ		
7	05103753AA	99	3, 7	L	12, 15, 16	EX8	DGZ		CONNECTOR
		99	2, 6	L	51, 52, 54, 55, 56	EX8	DGZ		
		99	2, 6	L	01, 02, 06	EX8	DGZ		
		99	2, 6	L	11, 12, 14, 15, 16	EX8	DGZ		
		99	3, 7	L	02, 06	EX8	DGZ		
8	05120694AA	99	3, 7	L	12, 15, 16	EX8	DGZ		CONNECTOR
		1	2, 6	L	01, 02, 06	EX8	DGZ		
		1	2, 6	L	11, 12, 14, 15, 16	EX8	DGZ		
		1	2, 6	L	51, 52, 54, 55, 56	EX8	DGZ		
		1	3, 7	L	02, 06	EX8	DGZ		
9	05103828AA	1	3, 7	L	12, 15, 16	EX8	DGZ		TERMINAL
		99	2, 6	L	01, 02, 06	EX8	DGZ		
		99	2, 6	L	11, 12, 14, 15, 16	EX8	DGZ		
		99	2, 6	L	51, 52, 54, 55, 56	EX8	DGZ		
		99	2, 6	L	01, 02, 06	EX8	DGZ		

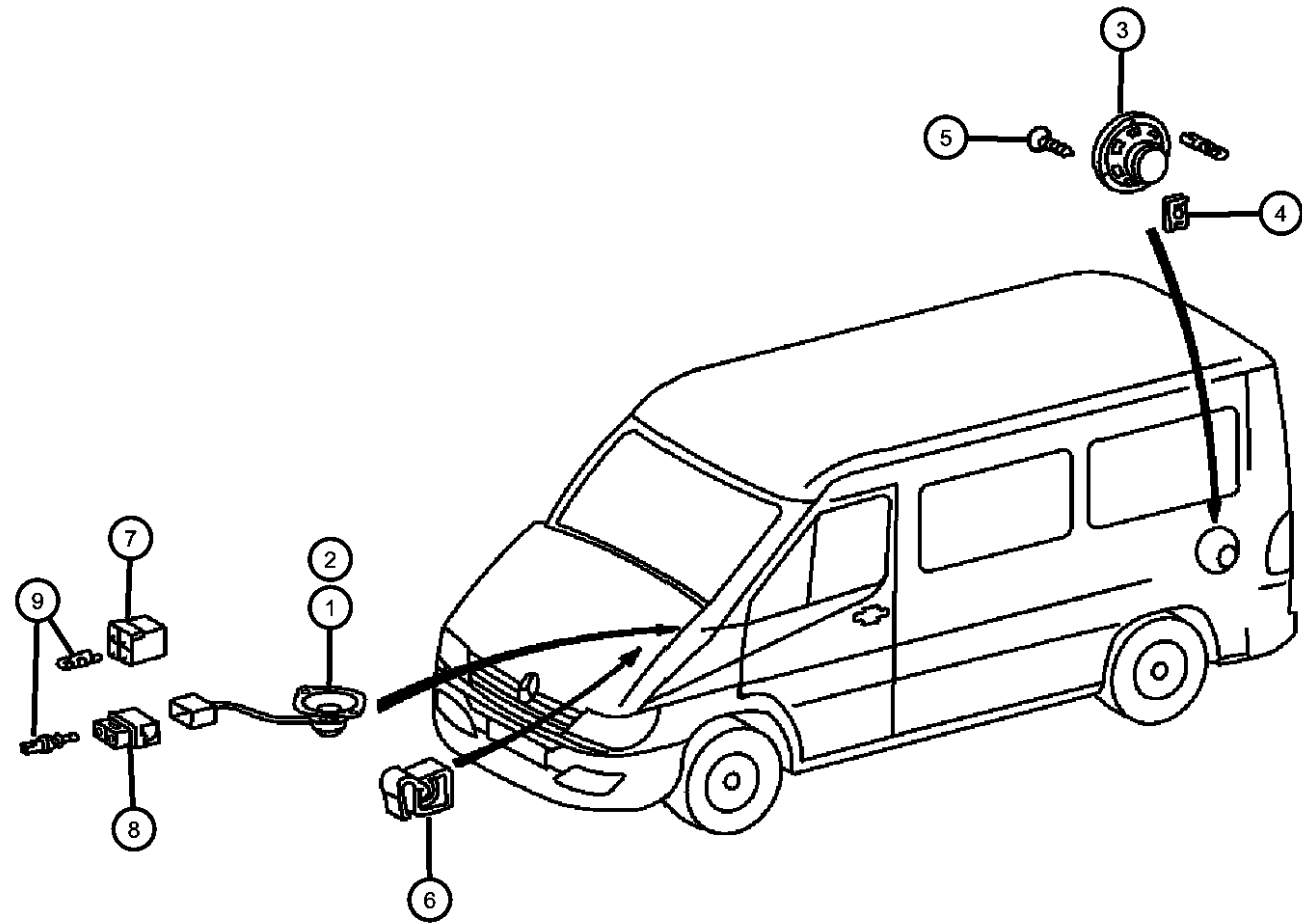
SPRINTER (VA)

SERIES	LINE	BODY	ENGINE	TRANSMISSION
L = LOWLINE	3 = HD DODGE 2WD 8 = HD DODGE 4WD 6 = Lt. Duty DODGE 4WD 2 = Med. Duty DODGE 2WD 7 = Med. Duty DODGE 4WD 4 = TRUCK	01 = CHASSIS FORWARD CONTROL W.B.1 02 = CAB CHASSIS WHEEL BASE 2 06 = CAB CHASSIS WHEEL BASE 6 11 = VAN WHEEL BASE 1 12 = VAN WHEEL BASE 2 51 = WAGON WHEEL BASE 1 52 = WAGON WHEEL BASE 2 14 = VAN WHEEL BASE 4 15 = VAN WHEEL BASE 5 54 = WAGON WHEEL BASE 4 55 = WAGON WHEEL BASE 5 56 = WAGON WHEEL BASE 6 16 = VAN WHEEL BASE 6	EX8 = 2.7L I5 Turbo Diesel Engine EX9 = 2.7L I5 Mercedes-Benz TD Engine	DGJ = 5-Speed Automatic MB Transmission DGZ = 4-Spd. Automatic MT643 Transmission

AR = use ase required - = Non illustrated part

Speakers
Figure 08A-315

ITEM	PART NUMBER	QTY	LINE	SERIES	BODY	ENGINE	TRANS	TRIM	DESCRIPTION
		99	3, 7	L	02, 06	EX8	DGZ		
		99	3, 7	L	12, 15, 16	EX8	DGZ		

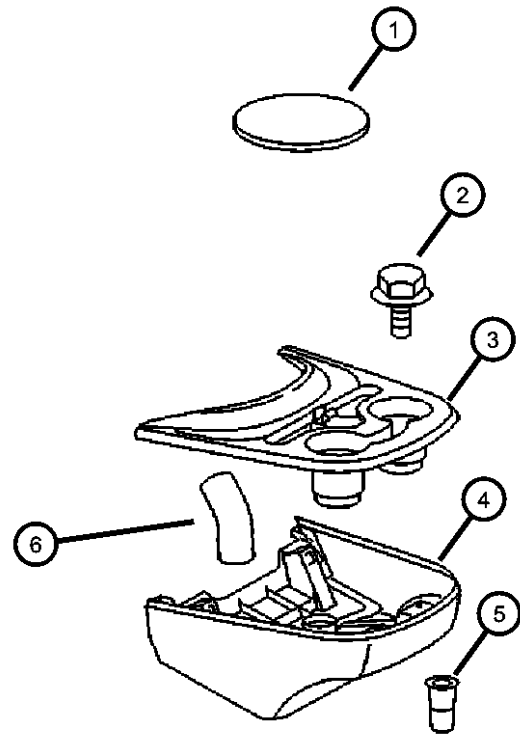


SPRINTER (VA)

SERIES	LINE	BODY	ENGINE	TRANSMISSION
L = LOWLINE	3 = HD DODGE 2WD 8 = HD DODGE 4WD 6 = Lt. Duty DODGE 4WD 2 = Med. Duty DODGE 2WD 7 = Med. Duty DODGE 4WD 4 = TRUCK	01 = CHASSIS FORWARD CONTROL W.B.1 02 = CAB CHASSIS WHEEL BASE 2 06 = CAB CHASSIS WHEEL BASE 6 11 = VAN WHEEL BASE 1 12 = VAN WHEEL BASE 2 51 = WAGON WHEEL BASE 1 52 = WAGON WHEEL BASE 2 14 = VAN WHEEL BASE 4 15 = VAN WHEEL BASE 5 54 = WAGON WHEEL BASE 4 55 = WAGON WHEEL BASE 5 56 = WAGON WHEEL BASE 6 16 = VAN WHEEL BASE 6	EX8 = 2.7L I5 Turbo Diesel Engine EX9 = 2.7L I5 Mercedes-Benz TD Engine	DGJ = 5-Speed Automatic MB Transmission DGZ = 4-Spd. Automatic MT643 Transmission

AR = use ase required - = Non illustrated part

**Console Cup Holder
Figure 08A-405**



ITEM	PART NUMBER	QTY	LINE	SERIES	BODY	ENGINE	TRANS	TRIM	DESCRIPTION
1									MAT, Single Cup
	05122953AA	2	2, 6	L	01, 02, 06	EX8	DGZ		
		2	2, 6	L	11, 12, 14, 15, 16	EX8	DGZ		
		2	2, 6	L	51, 52, 54, 55, 56	EX8	DGZ		
		2	3, 7	L	02, 06	EX8	DGZ		
		2	3, 7	L	12, 15, 16	EX8	DGZ		
2									SCREW, Hex Flange Head
	06104121AA	4	2, 6	L	01, 02, 06	EX8	DGZ		Lid Lock, Rear
		4	2, 6	L	11, 12, 14, 15, 16	EX8	DGZ		Lid Lock, Rear
		4	2, 6	L	51, 52, 54, 55, 56	EX8	DGZ		Lid Lock, Rear
		4	3, 7	L	02, 06	EX8	DGZ		Lid Lock, Rear
		4	3, 7	L	12, 15, 16	EX8	DGZ		Lid Lock, Rear
3									CUP HOLDER, Lid
	05104254AA	1	2, 6	L	01, 02, 06	EX8	DGZ		
		1	2, 6	L	11, 12, 14, 15, 16	EX8	DGZ		
		1	2, 6	L	51, 52, 54, 55, 56	EX8	DGZ		
		1	3, 7	L	02, 06	EX8	DGZ		
		1	3, 7	L	12, 15, 16	EX8	DGZ		
4									HOUSING, Cup Holder
	05104255AA	1	2, 6	L	01, 02, 06	EX8	DGZ		
		1	2, 6	L	11, 12, 14, 15, 16	EX8	DGZ		
		1	2, 6	L	51, 52, 54, 55, 56	EX8	DGZ		
		1	3, 7	L	02, 06	EX8	DGZ		
		1	3, 7	L	12, 15, 16	EX8	DGZ		

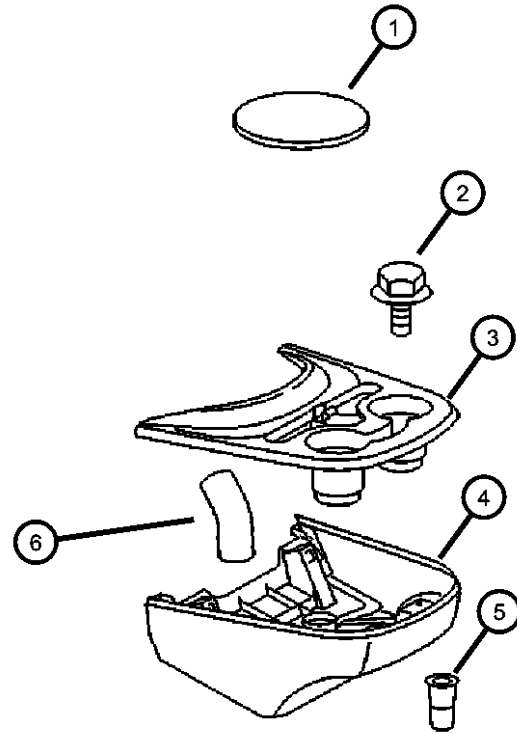
SPRINTER (VA)

SERIES	LINE	BODY	ENGINE	TRANSMISSION
L = LOWLINE	3 = HD DODGE 2WD 8 = HD DODGE 4WD 6 = Lt. Duty DODGE 4WD 2 = Med. Duty DODGE 2WD 7 = Med. Duty DODGE 4WD 4 = TRUCK	01 = CHASSIS FORWARD CONTROL W.B.1 02 = CAB CHASSIS WHEEL BASE 2 06 = CAB CHASSIS WHEEL BASE 6 11 = VAN WHEEL BASE 1 12 = VAN WHEEL BASE 2 51 = WAGON WHEEL BASE 1 52 = WAGON WHEEL BASE 2 14 = VAN WHEEL BASE 4 15 = VAN WHEEL BASE 5 54 = WAGON WHEEL BASE 4 55 = WAGON WHEEL BASE 5 56 = WAGON WHEEL BASE 6 16 = VAN WHEEL BASE 6	EX8 = 2.7L I5 Turbo Diesel Engine EX9 = 2.7L I5 Mercedes-Benz TD Engine	DGJ = 5-Speed Automatic MB Transmission DGZ = 4-Spd. Automatic MT643 Transmission

AR = use ase required - = Non illustrated part

**Console Cup Holder
Figure 08A-405**

ITEM	PART NUMBER	QTY	LINE	SERIES	BODY	ENGINE	TRANS	TRIM	DESCRIPTION
5									NUT, Rivet
	05133975AA	4	2, 6	L	01, 02, 06	EX8	DGZ		
		4	2, 6	L	11, 12, 14, 15, 16	EX8	DGZ		
		4	2, 6	L	51, 52, 54, 55, 56	EX8	DGZ		
		4	3, 7	L	02, 06	EX8	DGZ		
		4	3, 7	L	12, 15, 16	EX8	DGZ		
6									HOSE
	05104488AA	1	2, 6	L	01, 02, 06	EX8	DGZ		
		1	2, 6	L	11, 12, 14, 15, 16	EX8	DGZ		
		1	2, 6	L	51, 52, 54, 55, 56	EX8	DGZ		
		1	3, 7	L	02, 06	EX8	DGZ		
		1	3, 7	L	12, 15, 16	EX8	DGZ		



SPRINTER (VA)

SERIES	LINE	BODY	ENGINE	TRANSMISSION
L = LOWLINE	3 = HD DODGE 2WD 8 = HD DODGE 4WD 6 = Lt. Duty DODGE 4WD 2 = Med. Duty DODGE 2WD 7 = Med. Duty DODGE 4WD 4 = TRUCK	01 = CHASSIS FORWARD CONTROL W.B.1 02 = CAB CHASSIS WHEEL BASE 2 06 = CAB CHASSIS WHEEL BASE 6 11 = VAN WHEEL BASE 1 12 = VAN WHEEL BASE 2 51 = WAGON WHEEL BASE 1 52 = WAGON WHEEL BASE 2 14 = VAN WHEEL BASE 4 15 = VAN WHEEL BASE 5 54 = WAGON WHEEL BASE 4 55 = WAGON WHEEL BASE 5 56 = WAGON WHEEL BASE 6 16 = VAN WHEEL BASE 6	EX8 = 2.7L I5 Turbo Diesel Engine EX9 = 2.7L I5 Mercedes-Benz TD Engine	DGJ = 5-Speed Automatic MB Transmission DGZ = 4-Spd. Automatic MT643 Transmission

AR = use ase required - = Non illustrated part

2006 VA

Group - 9

Engine Mounting

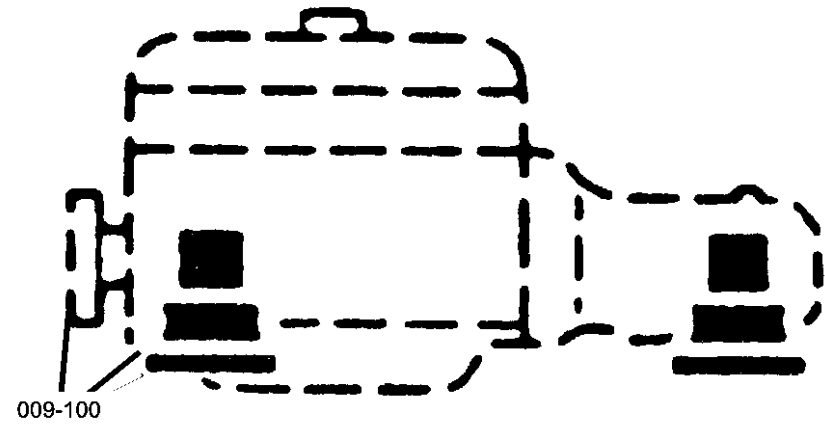
Group - 9 Engine Mounting

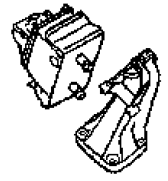
Group-Fig. No.

Illustration Title

Engine Mounting

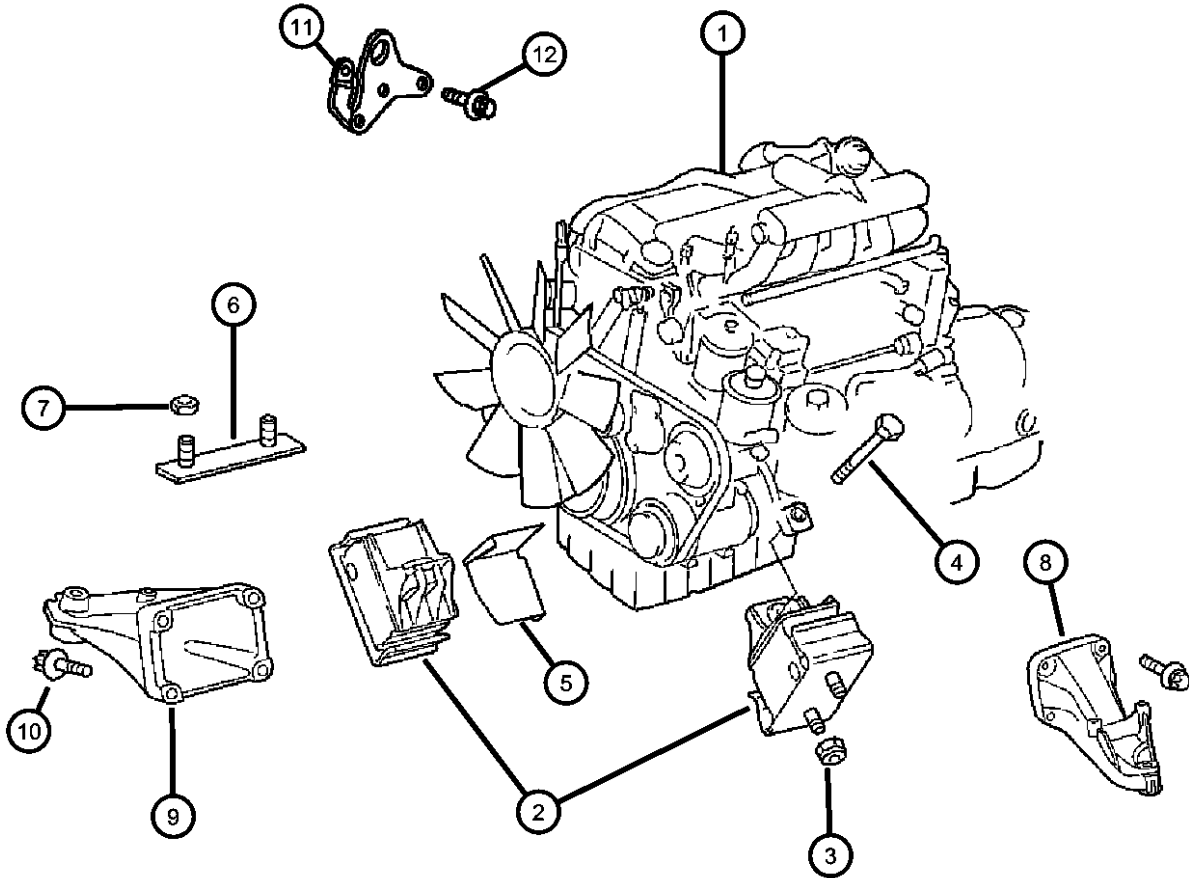
Engine Mounting	Fig. 9 - 110
Transmission Mounting	Fig. 9 - 120



<p>009-100 Engine Mounting</p> 			
---	--	--	--

**Engine Mounting
Figure 9-110**

ITEM	PART NUMBER	QTY	LINE	SERIES	BODY	ENGINE	TRANS	TRIM	DESCRIPTION
1		1							ENGINE, Complete, See Group [2.7LD-HO], (NOT SERVICED)
2	05104035AA	2	2, 6			EX8	DGZ		RUBBER, RUBBER-MOUNT
		2	3, 7			EX8	DGZ		
3	06104717AA	4	2, 6			EX8	DGZ		NUT, [M10X1.5]
		4	3, 7			EX8	DGZ		
4	06104239AA	2	2, 6			EX8	DGZ		BOLT, [M12X1.5X55.0]
		2	3, 7			EX8	DGZ		
5	05117714AA	1	2, 6			EX8	DGZ		SHIELD, Engine Mount
		1	3, 7			EX8	DGZ		
6	05117695AA	1	2, 6			EX8	DGZ		PLATE, Engine Mount
		1	3, 7			EX8	DGZ		
7	05127449AA	2	2, 6			EX8	DGZ		NUT, M6x1.00
		2	3, 7			EX8	DGZ		
8	05117659AA	1	2, 3, 6, 7			EX8	DGZ		BRACKET, Engine Mount
9	05103988AA	1	2, 3, 6, 7			EX8	DGZ		SUPPORT, Engine
10	06104027AA	1	2, 6			EX8	DGZ		SCREW, [M8X1.25X40.00]
		1	3, 7			EX8	DGZ		



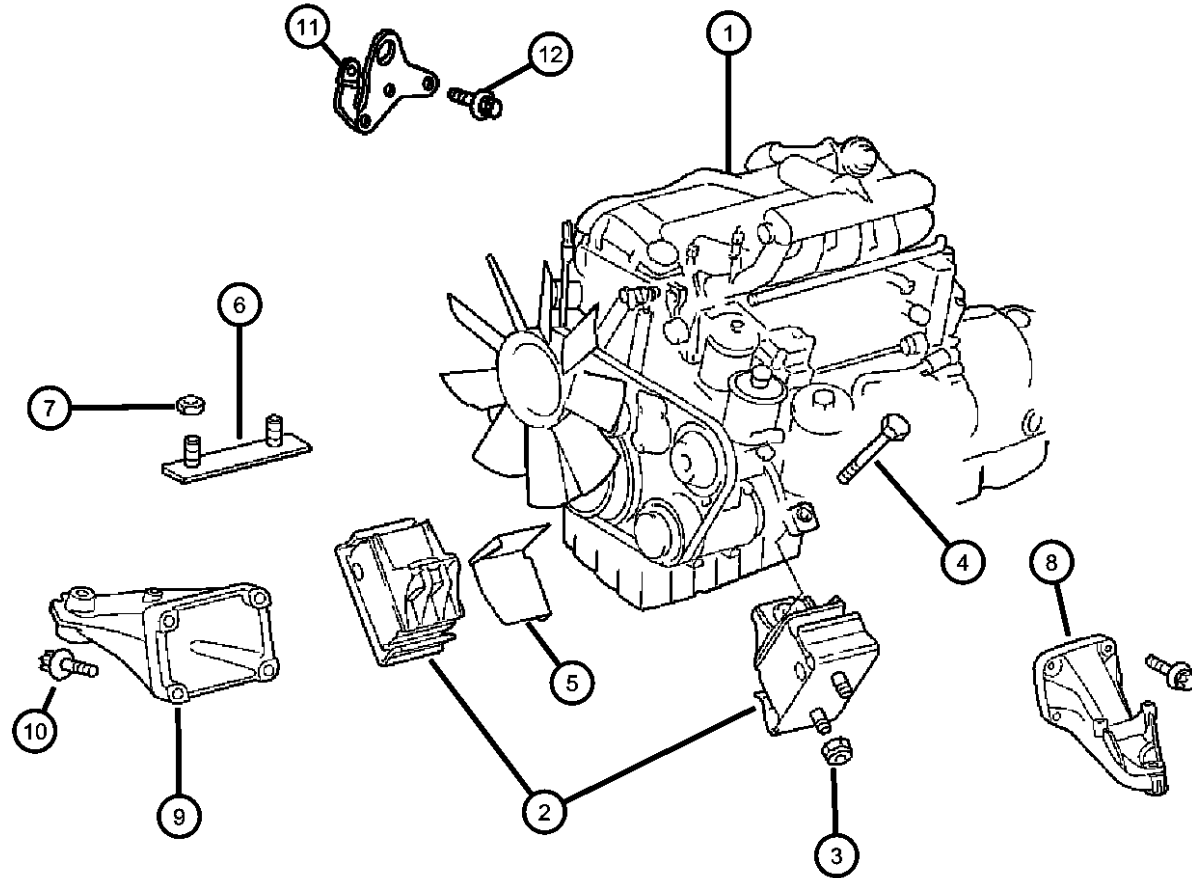
SPRINTER (VA)

SERIES	LINE	BODY	ENGINE	TRANSMISSION
L = LOWLINE	3 = HD DODGE 2WD 8 = HD DODGE 4WD 6 = Lt. Duty DODGE 4WD 2 = Med. Duty DODGE 2WD 7 = Med. Duty DODGE 4WD 4 = TRUCK	01 = CHASSIS FORWARD CONTROL W.B.1 02 = CAB CHASSIS WHEEL BASE 2 06 = CAB CHASSIS WHEEL BASE 6 11 = VAN WHEEL BASE 1 12 = VAN WHEEL BASE 2 51 = WAGON WHEEL BASE 1 52 = WAGON WHEEL BASE 2 14 = VAN WHEEL BASE 4 15 = VAN WHEEL BASE 5 54 = WAGON WHEEL BASE 4 55 = WAGON WHEEL BASE 5 56 = WAGON WHEEL BASE 6 16 = VAN WHEEL BASE 6	EX8 = 2.7L I5 Turbo Diesel Engine EX9 = 2.7L I5 Mercedes-Benz TD Engine	DGJ = 5-Speed Automatic MB Transmission DGZ = 4-Spd. Automatic MT643 Transmission

AR = use ase required - = Non illustrated part

**Engine Mounting
Figure 9-110**

ITEM	PART NUMBER	QTY	LINE	SERIES	BODY	ENGINE	TRANS	TRIM	DESCRIPTION
11	05136757AA	1	2, 3, 6, 7			EX8	DGZ		BRACKET, Engine Lift
12	05073723AB	3	2, 3, 6, 7			EX8	DGZ		SCREW

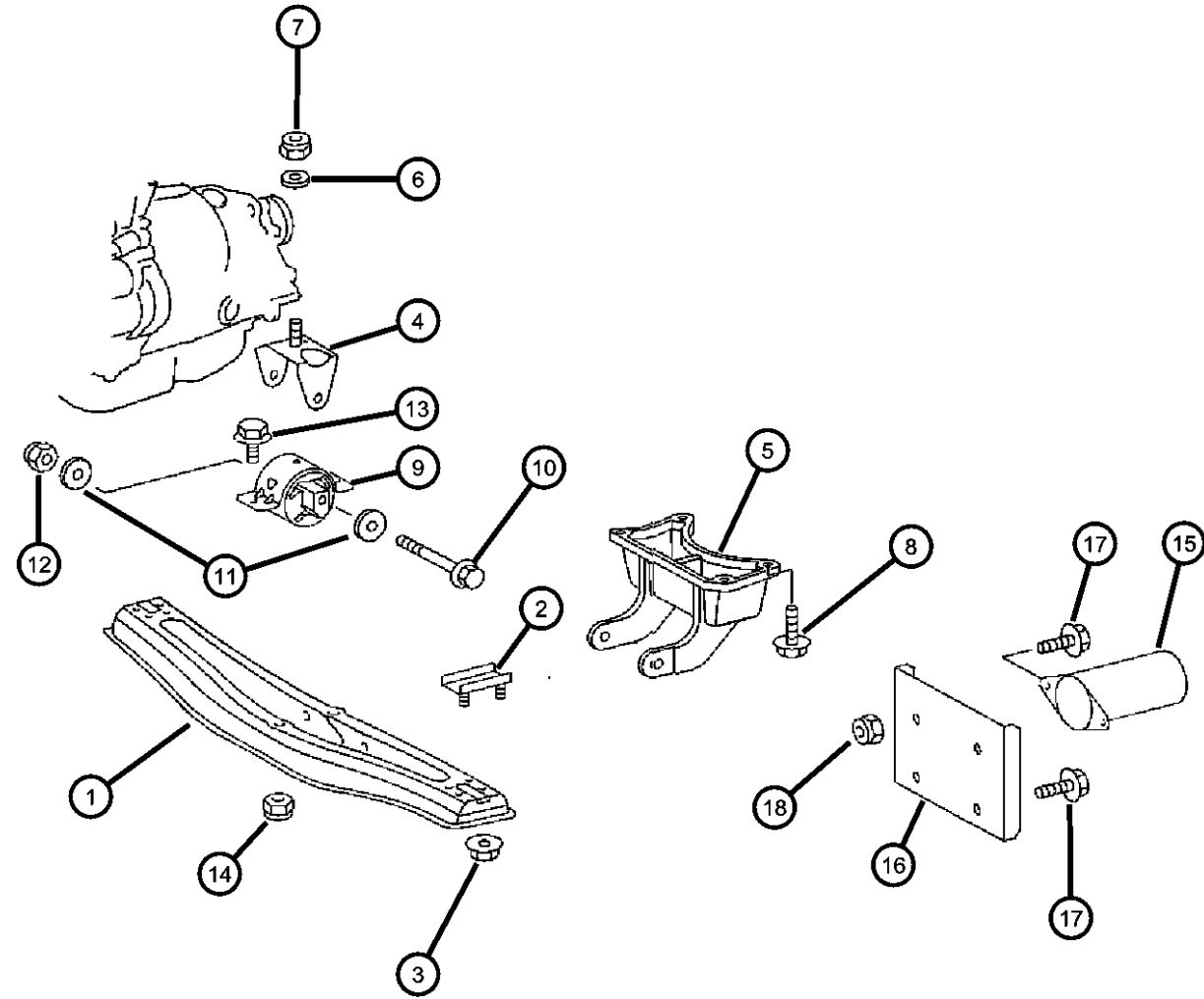


SPRINTER (VA)

SERIES	LINE	BODY	ENGINE	TRANSMISSION
L = LOWLINE	3 = HD DODGE 2WD 8 = HD DODGE 4WD 6 = Lt. Duty DODGE 4WD 2 = Med. Duty DODGE 2WD 7 = Med. Duty DODGE 4WD 4 = TRUCK	01 = CHASSIS FORWARD CONTROL W.B.1 02 = CAB CHASSIS WHEEL BASE 2 06 = CAB CHASSIS WHEEL BASE 6 11 = VAN WHEEL BASE 1 12 = VAN WHEEL BASE 2 51 = WAGON WHEEL BASE 1 52 = WAGON WHEEL BASE 2 14 = VAN WHEEL BASE 4 15 = VAN WHEEL BASE 5 54 = WAGON WHEEL BASE 4 55 = WAGON WHEEL BASE 5 56 = WAGON WHEEL BASE 6 16 = VAN WHEEL BASE 6	EX8 = 2.7L I5 Turbo Diesel Engine EX9 = 2.7L I5 Mercedes-Benz TD Engine	DGJ = 5-Speed Automatic MB Transmission DGZ = 4-Spd. Automatic MT643 Transmission

AR = use ase required - = Non illustrated part

**Transmission Mounting
Figure 9-120**



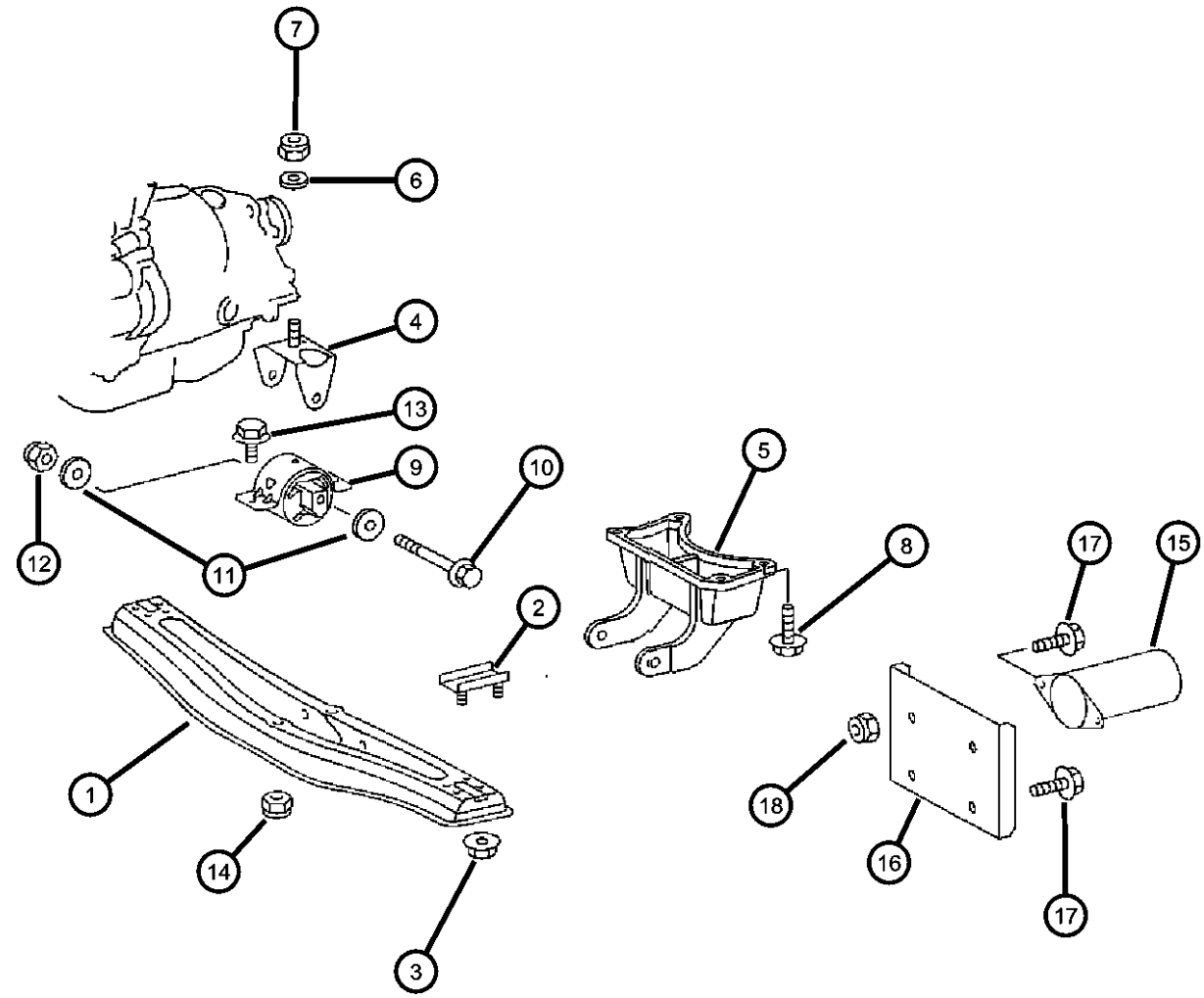
ITEM	PART NUMBER	QTY	LINE	SERIES	BODY	ENGINE	TRANS	TRIM	DESCRIPTION
1	05104036AA	1	2, 6			EX8	DGZ		SUPPORT, Engine
		1	3, 7			EX8	DGZ		
2	05117698AA	1	2, 6			EX8	DGZ		BRACKET, Engine Mount
		1	3, 7			EX8	DGZ		
3	06104717AA	4	2, 6			EX8	DGZ		NUT, [M10X1.5]
		4	3, 7			EX8	DGZ		
4	05117712AA	1	2, 6			EX8	DGZ		BRACKET, Engine Mount
		1	3, 7			EX8	DGZ		
5	05104037AA	1	2, 6			EX8	DGZ		BRACKET, Transmission Mount
		1	3, 7			EX8	DGZ		
6	05104614AA	1	3, 7			EX8	DGZ		WASHER
7	06104718AA	1	2, 6			EX8	DGZ		NUT, [M12X1.5]
		1	3, 7			EX8	DGZ		
		1	3, 7			EX8	DGZ		W/O 4XS
8	06104198AA	4	2, 6			EX8	DGZ		BOLT, Hex Head, [M8X1.25X30.0]
		4	3, 7			EX8	DGZ		
9	05104038AA	1	2, 6			EX8	DGZ		RUBBER, RUBBER-MOUNT

SPRINTER (VA)

SERIES	LINE	BODY	ENGINE	TRANSMISSION
L = LOWLINE	3 = HD DODGE 2WD	01 = CHASSIS FORWARD CONTROL W.B.1	EX8 = 2.7L I5 Turbo Diesel Engine	DGJ = 5-Speed Automatic MB Transmission
	8 = HD DODGE 4WD	02 = CAB CHASSIS WHEEL BASE 2	EX9 = 2.7L I5 Mercedes-Benz TD Engine	DGZ = 4-Spd. Automatic MT643 Transmission
	6 = Lt. Duty DODGE 4WD	06 = CAB CHASSIS WHEEL BASE 6		
	2 = Med. Duty DODGE 2WD	11 = VAN WHEEL BASE 1		
	7 = Med. Duty DODGE 4WD	12 = VAN WHEEL BASE 2		
	4 = TRUCK	51 = WAGON WHEEL BASE 1		
		52 = WAGON WHEEL BASE 2		
		14 = VAN WHEEL BASE 4		
		15 = VAN WHEEL BASE 5		
		54 = WAGON WHEEL BASE 4		
		55 = WAGON WHEEL BASE 5		
		56 = WAGON WHEEL BASE 6		
		16 = VAN WHEEL BASE 6		

AR = use ase required - = Non illustrated part

**Transmission Mounting
Figure 9-120**



ITEM	PART NUMBER	QTY	LINE	SERIES	BODY	ENGINE	TRANS	TRIM	DESCRIPTION
10		1	3, 7			EX8	DGZ		BOLT, [M6.0X1.0X23.0]
	06104229AA	1	2, 6			EX8	DGZ		
		1	3, 7			EX8	DGZ		
11		2	2, 6			EX8	DGZ		WASHER, Flat
	05104641AA	2	3, 7			EX8	DGZ		
12		1	2, 6			EX8	DGZ		NUT, [M10X1.5]
	06104717AA	1	3, 7			EX8	DGZ		
13		2	2, 6			EX8	DGZ		BOLT, Hex Flange Head, M10x1.50x25
	06104215AA	2	3, 7			EX8	DGZ		
14		2	2, 6			EX8	DGZ		NUT, [M10X1.5]
	06104717AA	2	3, 7			EX8	DGZ		
15		1	2, 6			EX8	DGZ		ISOLATOR, Engine Mount
	05117716AA	1	3, 7			EX8	DGZ		
16		1	2, 6			EX8	DGZ		BRACKET, Engine Roll Dampener
	05133781AA	1	3, 7			EX8	DGZ		
17		2	2, 6			EX8	DGZ		SCREW, [M8X1.25X16.0]
	06104195AA	2	3, 7			EX8	DGZ		
18		2	2, 6			EX8	DGZ		NUT, [M8X1.25]
		2	3, 7			EX8	DGZ		

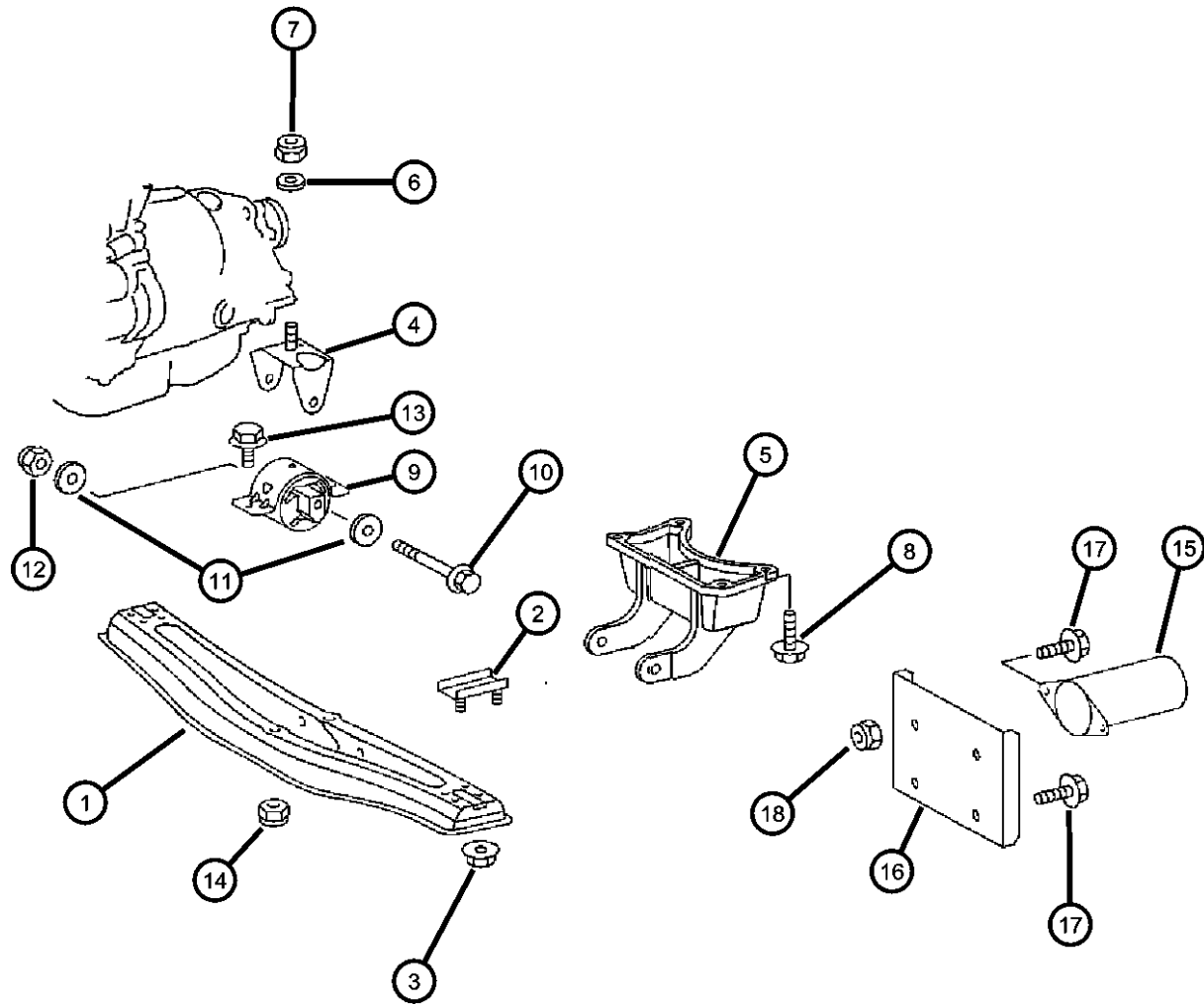
SPRINTER (VA)

SERIES	LINE	BODY	ENGINE	TRANSMISSION
L = LOWLINE	3 = HD DODGE 2WD 8 = HD DODGE 4WD 6 = Lt. Duty DODGE 4WD 2 = Med. Duty DODGE 2WD 7 = Med. Duty DODGE 4WD 4 = TRUCK	01 = CHASSIS FORWARD CONTROL W.B.1 02 = CAB CHASSIS WHEEL BASE 2 06 = CAB CHASSIS WHEEL BASE 6 11 = VAN WHEEL BASE 1 12 = VAN WHEEL BASE 2 51 = WAGON WHEEL BASE 1 52 = WAGON WHEEL BASE 2 14 = VAN WHEEL BASE 4 15 = VAN WHEEL BASE 5 54 = WAGON WHEEL BASE 4 55 = WAGON WHEEL BASE 5 56 = WAGON WHEEL BASE 6 16 = VAN WHEEL BASE 6	EX8 = 2.7L I5 Turbo Diesel Engine EX9 = 2.7L I5 Mercedes-Benz TD Engine	DGJ = 5-Speed Automatic MB Transmission DGZ = 4-Spd. Automatic MT643 Transmission

AR = use ase required - = Non illustrated part

**Transmission Mounting
Figure 9-120**

ITEM	PART NUMBER	QTY	LINE	SERIES	BODY	ENGINE	TRANS	TRIM	DESCRIPTION
	06104716AA	2	2, 6			EX8	DGZ		
		2	3, 7			EX8	DGZ		



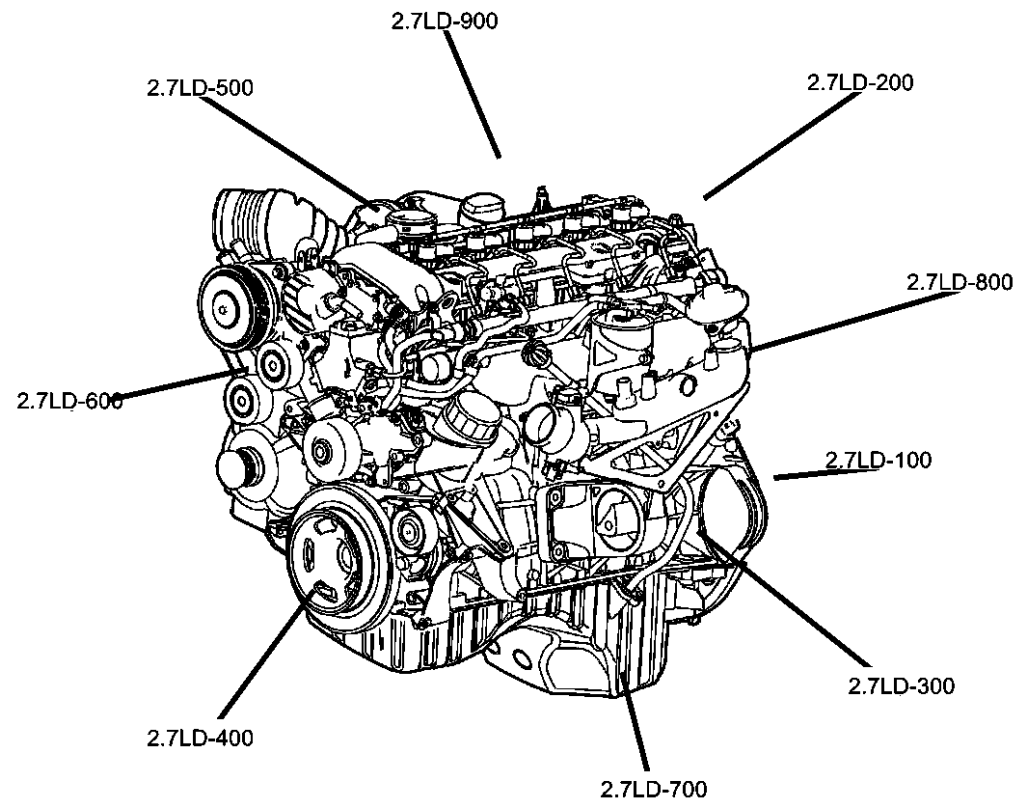
SPRINTER (VA)

SERIES	LINE	BODY	ENGINE	TRANSMISSION
L = LOWLINE	3 = HD DODGE 2WD 8 = HD DODGE 4WD 6 = Lt. Duty DODGE 4WD 2 = Med. Duty DODGE 2WD 7 = Med. Duty DODGE 4WD 4 = TRUCK	01 = CHASSIS FORWARD CONTROL W.B.1 02 = CAB CHASSIS WHEEL BASE 2 06 = CAB CHASSIS WHEEL BASE 6 11 = VAN WHEEL BASE 1 12 = VAN WHEEL BASE 2 51 = WAGON WHEEL BASE 1 52 = WAGON WHEEL BASE 2 14 = VAN WHEEL BASE 4 15 = VAN WHEEL BASE 5 54 = WAGON WHEEL BASE 4 55 = WAGON WHEEL BASE 5 56 = WAGON WHEEL BASE 6 16 = VAN WHEEL BASE 6	EX8 = 2.7L I5 Turbo Diesel Engine EX9 = 2.7L I5 Mercedes-Benz TD Engine	DGJ = 5-Speed Automatic MB Transmission DGZ = 4-Spd. Automatic MT643 Transmission

AR = use ase required - = Non illustrated part

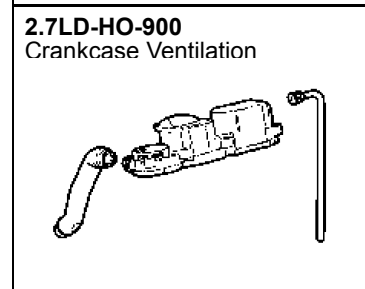
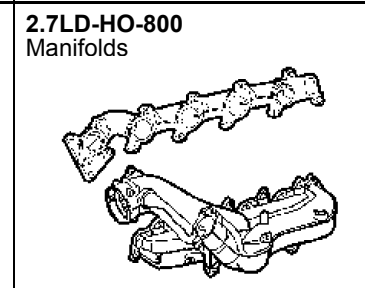
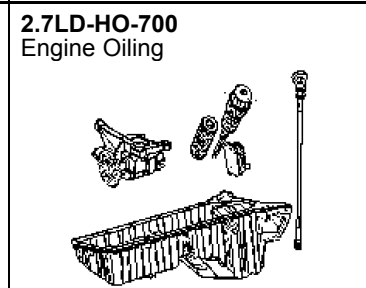
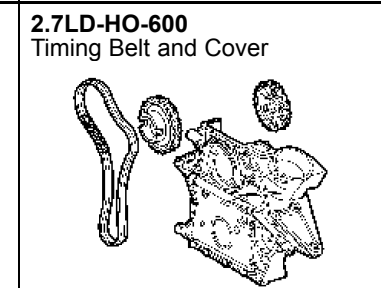
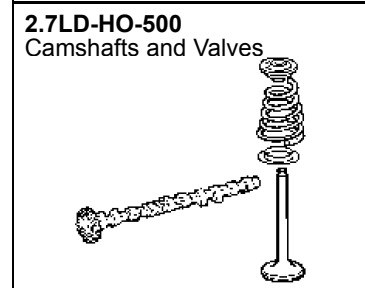
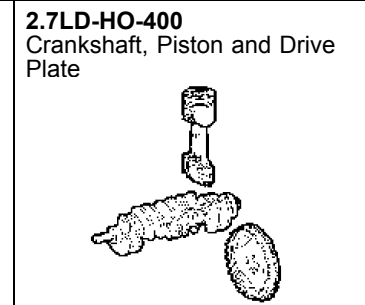
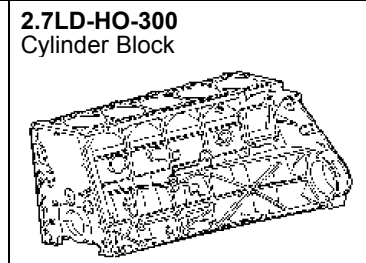
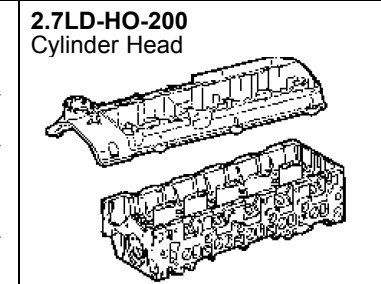
Group - 2.7LD-HO

2.7L Diesel - Mercedes Benz [EX8]



2.7LD-HO-100
Engine Identification

X Model Year	X Manufacturing Plant	XXXXX Component Code/Usage	XXXX Month/Day	XXXXXXXXXX Serial Code
Last digit of model year	Schilo S Trenton T Tokoo K	Engine 3.3L - 3.8L Usage Pass Car PC Truck T		Last 8 Digits of VIN



Group - 2.7LD-HO 2.7L Diesel - Mercedes Benz [EX8]

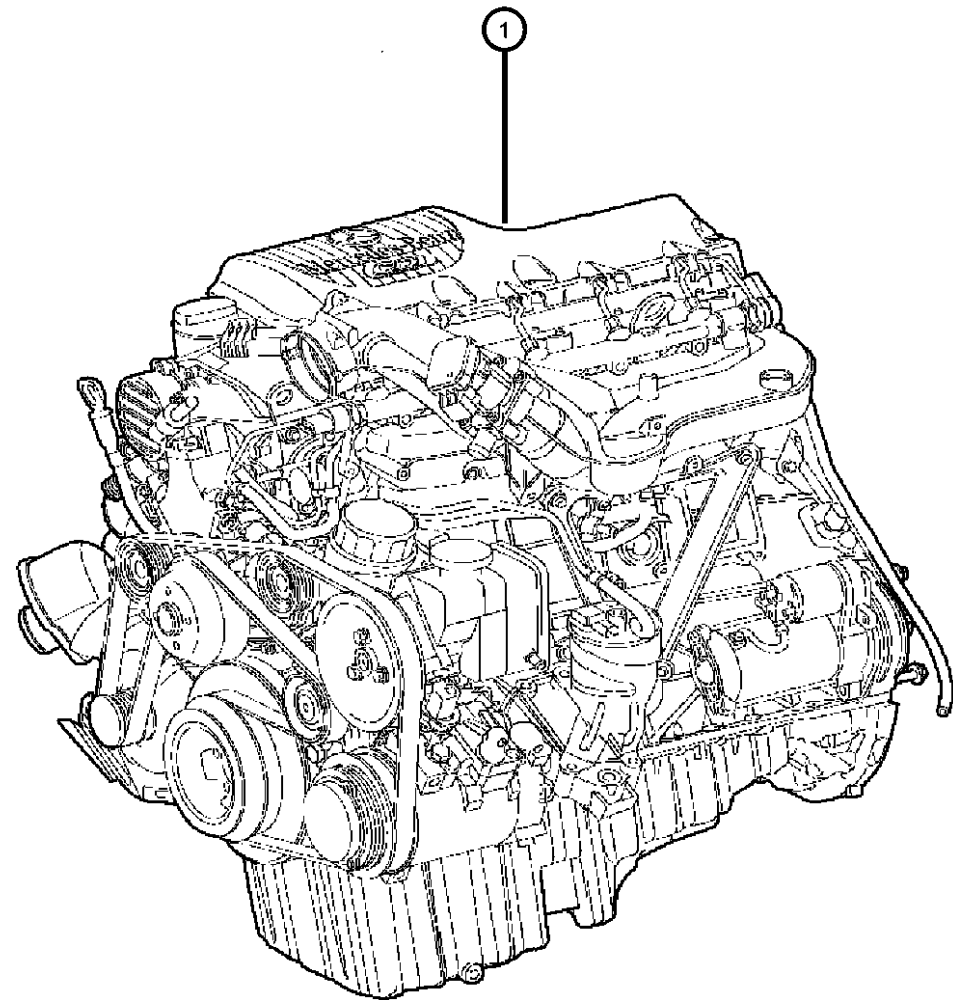
Illustration Title	Group-Fig. No.
Engine Identification	
Engine Complete 2.7L Diesel [EX8]	Fig. 2.7LD-HO - 105
Cylinder Head	
Cylinder Head 2.7L Diesel [EX8]	Fig. 2.7LD-HO - 205
Cylinder Head Cover 2.7L Diesel [EX8]	Fig. 2.7LD-HO - 210
Cylinder Block	
Cylinder Block And Related Parts 2.7L Diesel [EX8]	Fig. 2.7LD-HO - 305
Crankshaft, Piston and Drive Plate	
Crankshaft And Pistons 2.7L Diesel [EX8]	Fig. 2.7LD-HO - 405
Camshafts and Valves	
Camshaft And Valves 2.7L Diesel [EX8]	Fig. 2.7LD-HO - 505
Timing Belt and Cover	
Timing Cover And Chain 2.7L Diesel [EX8]	Fig. 2.7LD-HO - 605
Vaccum Pump 2.7L Diesel [EX8]	Fig. 2.7LD-HO - 610
Engine Oiling	
Oil Pump 2.7L Diesel [EX8]	Fig. 2.7LD-HO - 705
Oil Cooler And Filter 2.7L Diesel [EX8]	Fig. 2.7LD-HO - 710
Oil Pan 2.7L Diesel [EX8]	Fig. 2.7LD-HO - 715
Turbo, Oil Feed And Return Lines 2.7L Diesel [EX8]	Fig. 2.7LD-HO - 720
Manifolds	
Intake Manifold 2.7L Diesel [EX8]	Fig. 2.7LD-HO - 805
Exhaust Manifold 2.7L Diesel [EX8]	Fig. 2.7LD-HO - 810
Crankcase Ventilation	
Crankcase Ventilation 2.7L Diesel [EX8]	Fig. 2.7LD-HO - 905

**Engine Complete 2.7L Diesel [EX8]
Figure 2.7LD-HO-105**

ITEM	PART NUMBER	QTY	LINE	SERIES	BODY	ENGINE	TRANS	TRIM	DESCRIPTION
------	-------------	-----	------	--------	------	--------	-------	------	-------------

NOTE:
Sales Codes:
[EX8] = 2.7L Inline 5 Cylinder Turbo Diesel Engine
[NAS] = 50 State Emissions

1	05117145AA	1	2, 3, 6, 7			EX8	DGZ		ENGINE, Complete, Diesel
	04798231AD								Mopar 15W-40 Engine Oil Quart
	04798232AD								Mopar 15W-40 Engine Oil Gallon



SPRINTER (VA)

SERIES	LINE	BODY	ENGINE	TRANSMISSION
L = LOWLINE	3 = HD DODGE 2WD 8 = HD DODGE 4WD 6 = Lt. Duty DODGE 4WD 2 = Med. Duty DODGE 2WD 7 = Med. Duty DODGE 4WD 4 = TRUCK	01 = CHASSIS FORWARD CONTROL W.B.1 02 = CAB CHASSIS WHEEL BASE 2 06 = CAB CHASSIS WHEEL BASE 6 11 = VAN WHEEL BASE 1 12 = VAN WHEEL BASE 2 51 = WAGON WHEEL BASE 1 52 = WAGON WHEEL BASE 2 14 = VAN WHEEL BASE 4 15 = VAN WHEEL BASE 5 54 = WAGON WHEEL BASE 4 55 = WAGON WHEEL BASE 5 56 = WAGON WHEEL BASE 6 16 = VAN WHEEL BASE 6	EX8 = 2.7L I5 Turbo Diesel Engine EX9 = 2.7L I5 Mercedes-Benz TD Engine	DGJ = 5-Speed Automatic MB Transmission DGZ = 4-Spd. Automatic MT643 Transmission

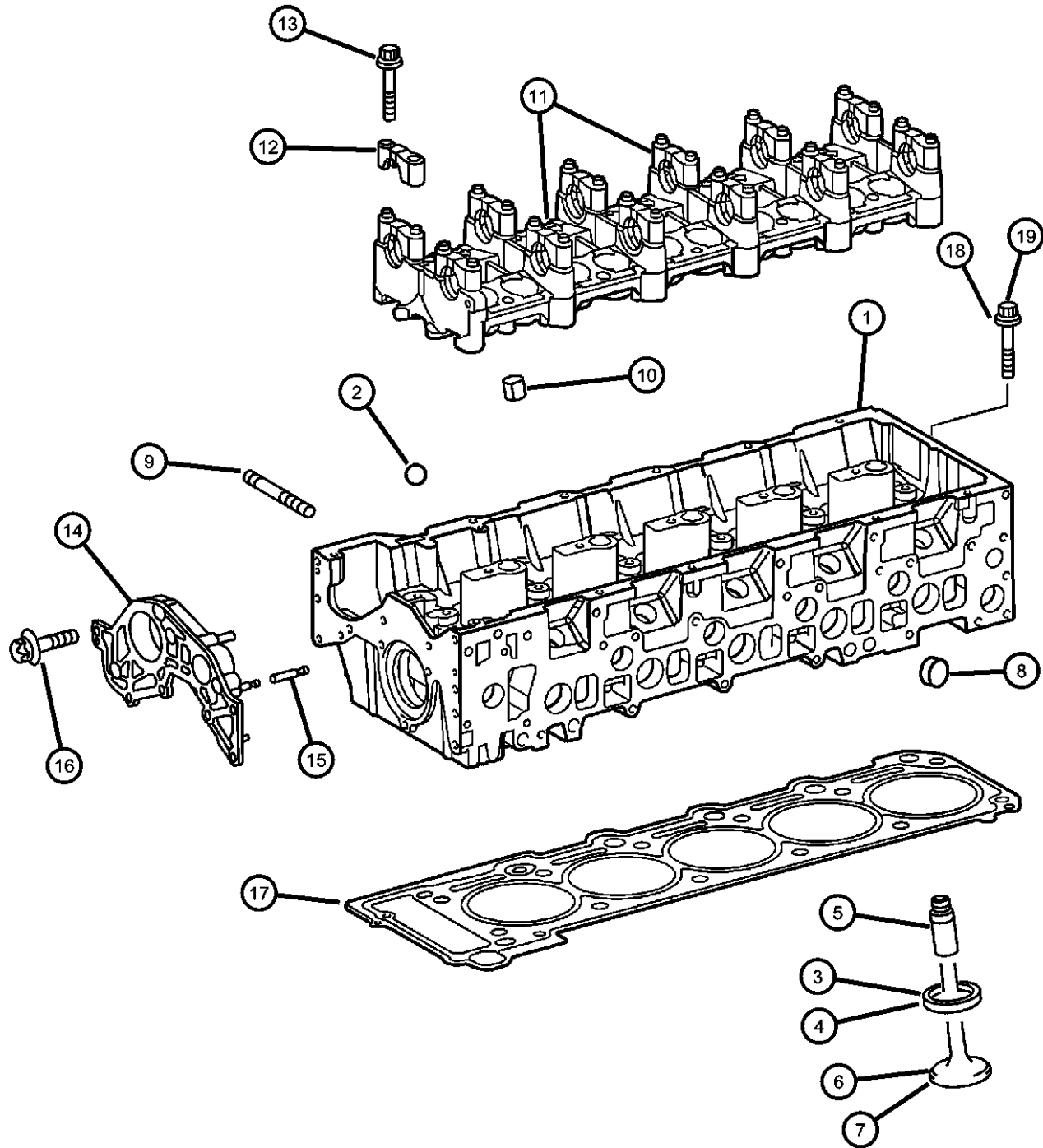
AR = use ase required - = Non illustrated part

2006 VA

**Cylinder Head 2.7L Diesel [EX8]
Figure 2.7LD-HO-205**

ITEM	PART NUMBER	QTY	LINE	SERIES	BODY	ENGINE	TRANS	TRIM	DESCRIPTION
------	-------------	-----	------	--------	------	--------	-------	------	-------------

NOTE:
Sales Codes:
[EX8] = 2.7L Inline 5 Cylinder Turbo Diesel Engine
[NAS] = 50 State Emissions



1	05136759AA	1	2, 3, 6, 7			EX8	DGZ		HEAD, Cylinder
2	05080045AA	5	2, 3, 6, 7			EX8	DGZ		BALL
3									SEAT, Intake Valve
	05117407AA	1	2, 3, 6, 7			EX8	DGZ		[29.47mm]
	05135830AA	10	2, 3, 6, 7			EX8	DGZ		[31.22mm]
4									SEAT, Exhaust Valve
	05117410AA	10	2, 3, 6, 7			EX8	DGZ		[27.67mm]
	05135831AA	10	2, 3, 6, 7			EX8	DGZ		[30.12mm]
5	05080044AB	20	2, 3, 6, 7			EX8	DGZ		GUIDE, Intake/Exhaust Valve, Standard Size, Valve
6	05117399AA	10	2, 3, 6, 7			EX8	DGZ		VALVE, Intake, Standard
7	05117402AA	10	2, 3, 6, 7			EX8	DGZ		VALVE, Engine Exhaust
8									PLUG, Expansion
	05080026AB	8	2, 3, 6, 7			EX8	DGZ		[22mm]
	05080071AA	1	2, 3, 6, 7			EX8	DGZ		[18mm]
9	05080027AA	11	2, 3, 6, 7			EX8	DGZ		STUD
10	05073868AA	2	2, 3, 6, 7			EX8	DGZ		SLEEVE
11	05080072AA	1	2, 3, 6, 7			EX8	DGZ		HOUSING, Camshaft Bearing, With Camshaft Bearing Caps
12	05080072AA	1							COVER, Serviced In Item 12 Housing, (NOT SERVICED)
13	05073921AA	24	2, 3, 6, 7			EX8	DGZ		SCREW, Camshaft Bearing Cap To Cylinder Head, Mounting
14	05073921AA	24							CAP, Serviced In Item 2, (NOT SERVICED)
15	05080080AA	1	2, 3, 6, 7			EX8	DGZ		PIN
16	05073701AA	6	2, 3, 6, 7			EX8	DGZ		SCREW, End Cap To Cylinder Head, Mounting

SPRINTER (VA)

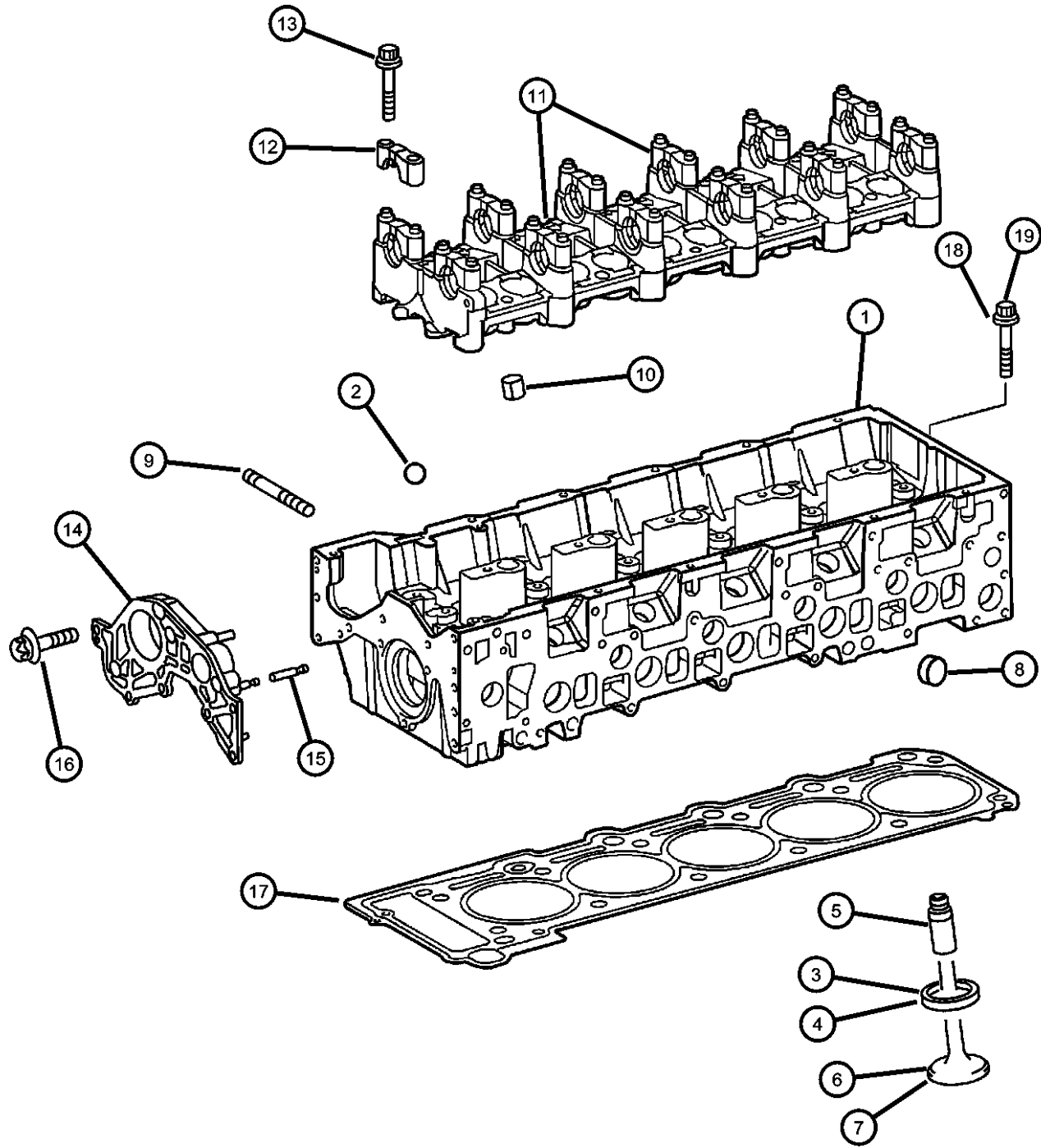
SERIES	LINE	BODY	ENGINE	TRANSMISSION
L = LOWLINE	3 = HD DODGE 2WD 8 = HD DODGE 4WD 6 = Lt. Duty DODGE 4WD 2 = Med. Duty DODGE 2WD 7 = Med. Duty DODGE 4WD 4 = TRUCK	01 = CHASSIS FORWARD CONTROL W.B.1 02 = CAB CHASSIS WHEEL BASE 2 06 = CAB CHASSIS WHEEL BASE 6 11 = VAN WHEEL BASE 1 12 = VAN WHEEL BASE 2 51 = WAGON WHEEL BASE 1 52 = WAGON WHEEL BASE 2 14 = VAN WHEEL BASE 4 15 = VAN WHEEL BASE 5 54 = WAGON WHEEL BASE 4 55 = WAGON WHEEL BASE 5 56 = WAGON WHEEL BASE 6 16 = VAN WHEEL BASE 6	EX8 = 2.7L I5 Turbo Diesel Engine EX9 = 2.7L I5 Mercedes-Benz TD Engine	DGJ = 5-Speed Automatic MB Transmission DGZ = 4-Spd. Automatic MT643 Transmission

AR = use ase required - = Non illustrated part

2006 VA

**Cylinder Head 2.7L Diesel [EX8]
Figure 2.7LD-HO-205**

ITEM	PART NUMBER	QTY	LINE	SERIES	BODY	ENGINE	TRANS	TRIM	DESCRIPTION
17	05134783AA	1	2, 3, 6, 7			EX8	DGZ		GASKET, Cylinder Head
18	05073703AA	12	2, 3, 6, 7			EX8	DGZ		BOLT, Cylinder Head, Cylinder Head To Engine Block, Mounting
19	06104035AA	2	2, 3, 6, 7			EX8	DGZ		SCREW, [M8X1.25X90.00], Cylinder Head, Mounting



SPRINTER (VA)

SERIES	LINE	BODY	ENGINE	TRANSMISSION
L = LOWLINE	3 = HD DODGE 2WD 8 = HD DODGE 4WD 6 = Lt. Duty DODGE 4WD 2 = Med. Duty DODGE 2WD 7 = Med. Duty DODGE 4WD 4 = TRUCK	01 = CHASSIS FORWARD CONTROL W.B.1 02 = CAB CHASSIS WHEEL BASE 2 06 = CAB CHASSIS WHEEL BASE 6 11 = VAN WHEEL BASE 1 12 = VAN WHEEL BASE 2 51 = WAGON WHEEL BASE 1 52 = WAGON WHEEL BASE 2 14 = VAN WHEEL BASE 4 15 = VAN WHEEL BASE 5 54 = WAGON WHEEL BASE 4 55 = WAGON WHEEL BASE 5 56 = WAGON WHEEL BASE 6 16 = VAN WHEEL BASE 6	EX8 = 2.7L I5 Turbo Diesel Engine EX9 = 2.7L I5 Mercedes-Benz TD Engine	DGJ = 5-Speed Automatic MB Transmission DGZ = 4-Spd. Automatic MT643 Transmission

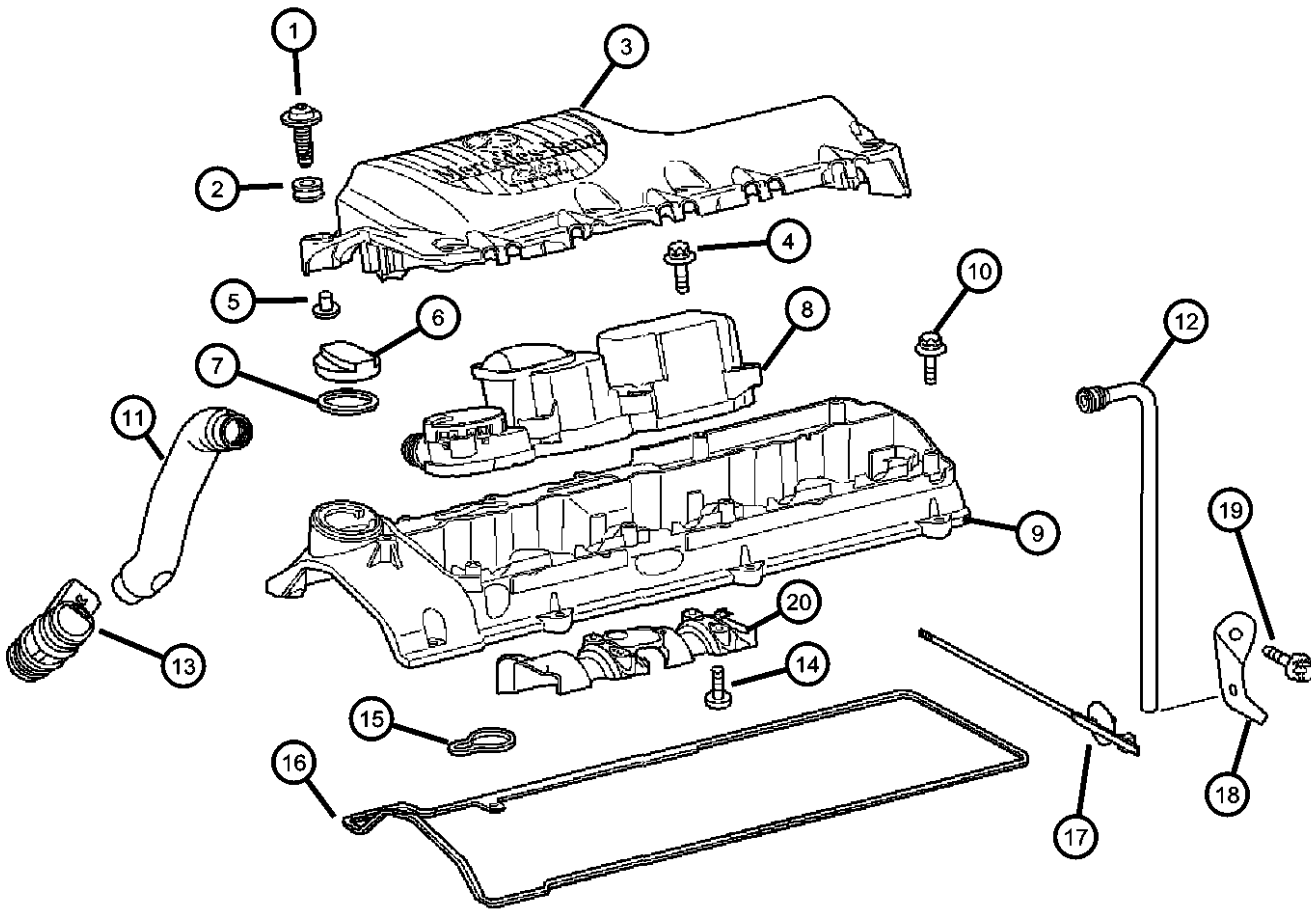
AR = use ase required - = Non illustrated part

2006 VA

**Cylinder Head Cover 2.7L Diesel [EX8]
Figure 2.7LD-HO-210**

ITEM	PART NUMBER	QTY	LINE	SERIES	BODY	ENGINE	TRANS	TRIM	DESCRIPTION
------	-------------	-----	------	--------	------	--------	-------	------	-------------

NOTE:
Sales Codes:
[EX8] = 2.7L Inline 5 Cylinder Turbo Diesel Engine
[NAS] = 50 State Emissions



1	05103968AA	7	2, 3, 6, 7			EX8	DGZ		SCREW, Engine Cover To Cylinder Head Cover, Mounting
2	05125943AA	7	2, 3, 6, 7			EX8	DGZ		GROMMET, Engine Cover To Cylinder Head Cover, Mounting
3	05117287AA	1	2, 3, 6, 7			EX8	DGZ		COVER, Engine
	05137002AB	1	2, 3, 6, 7			EX8	DGZ		Intake Runner Cover
4	06104684AA	7	2, 3, 6, 7			EX8	DGZ		SCREW, [M6.0X1.0X28.0], Oil Separator, Mounting
5	05125840AA	7	2, 3, 6, 7			EX8	DGZ		SLEEVE, Engine Cover, Mounting
6	05080172AA	1	2, 3, 6, 7			EX8	DGZ		CAP, Oil Filler
7	05080088AA	1	2, 3, 6, 7			EX8	DGZ		GASKET, Oil Filler Cap
8	05137030AA	1	2, 3, 6, 7			EX8	DGZ		SEPERATOR, Oil
9	05117166AA	1	2, 3, 6, 7			EX8	DGZ		COVER, Cylinder Head
10	06104008AA	8	2, 3, 6, 7			EX8	DGZ		SCREW, [M6X1.00X30.00], Cylinder Head Cover, Mounting
11	05117234AB	1	2, 3, 6, 7			EX8	DGZ		HOSE, Air Induction
12	05117291AA	1	2, 3, 6, 7			EX8	DGZ		HOSE
13	05117289AA	1	2, 3, 6, 7			EX8	DGZ		TUBE, Crankcase Vent Valve
14	06104670AA	2	2, 3, 6, 7			EX8	DGZ		SCREW, [M5.0X0.8X9.0], Cylinder Head Cover, Mounting
15	05080083AA	5	2, 3, 6, 7			EX8	DGZ		GASKET, Fuel Injector
16	05117284AA	1	2, 3, 6, 7			EX8	DGZ		GASKET, Cylinder Head Cover
17	05126078AA	99	2, 3, 6, 7			EX8	DGZ		TIE STRAP, Push In
18	05080302AB	5	2, 3, 6, 7			EX8	DGZ		RETAINER, Fuel Injector
19	05073824AA	1	2, 3, 6, 7			EX8	DGZ		SCREW, Injector Line, Mounting
20	05117223AA	1	2, 3, 6, 7			EX8	DGZ		RETAINER, Crankshaft Rear Oil Seal

SPRINTER (VA)

SERIES	LINE	BODY	ENGINE	TRANSMISSION
L = LOWLINE	3 = HD DODGE 2WD 8 = HD DODGE 4WD 6 = Lt. Duty DODGE 4WD 2 = Med. Duty DODGE 2WD 7 = Med. Duty DODGE 4WD 4 = TRUCK	01 = CHASSIS FORWARD CONTROL W.B.1 02 = CAB CHASSIS WHEEL BASE 2 06 = CAB CHASSIS WHEEL BASE 6 11 = VAN WHEEL BASE 1 12 = VAN WHEEL BASE 2 51 = WAGON WHEEL BASE 1 52 = WAGON WHEEL BASE 2 14 = VAN WHEEL BASE 4 15 = VAN WHEEL BASE 5 54 = WAGON WHEEL BASE 4 55 = WAGON WHEEL BASE 5 56 = WAGON WHEEL BASE 6 16 = VAN WHEEL BASE 6	EX8 = 2.7L I5 Turbo Diesel Engine EX9 = 2.7L I5 Mercedes-Benz TD Engine	DGJ = 5-Speed Automatic MB Transmission DGZ = 4-Spd. Automatic MT643 Transmission

AR = use ase required - = Non illustrated part

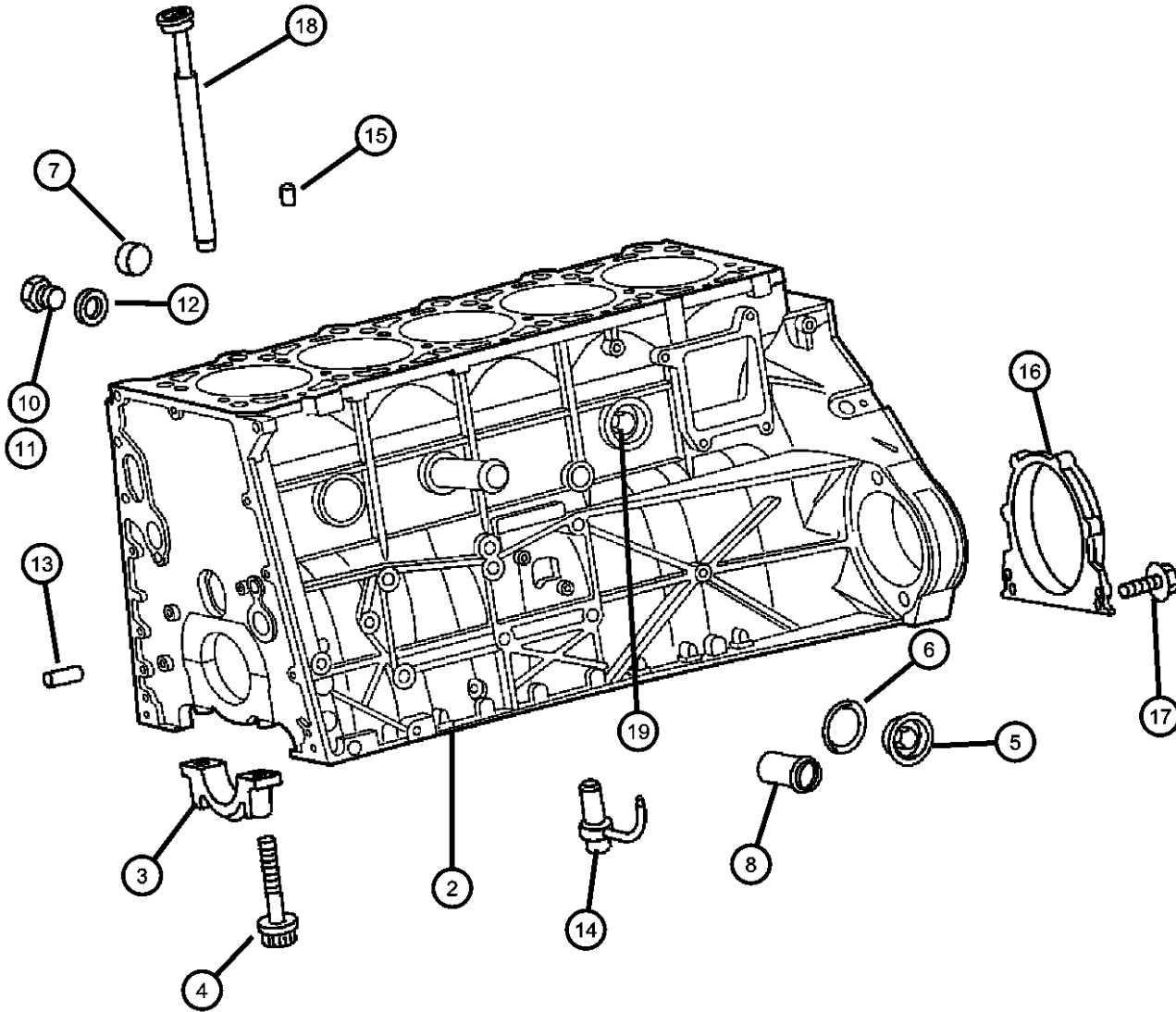
2006 VA

**Cylinder Block And Related Parts 2.7L Diesel [EX8]
Figure 2.7LD-HO-305**

ITEM	PART NUMBER	QTY	LINE	SERIES	BODY	ENGINE	TRANS	TRIM	DESCRIPTION
------	-------------	-----	------	--------	------	--------	-------	------	-------------

NOTE:
Sales Codes:
[EX8] = 2.7L Inline 5 Cylinder Turbo Diesel Engine
[NAS] = 50 State Emissions

-1	05103994AA	1	2, 3, 6, 7			EX8	DGZ		GASKET KIT, Engine, Lower
2	05073918AB	1	2, 3, 6, 7			EX8	DGZ		BLOCK, Cylinder, Bare Engine Block
	04798231AD								Mopar 15W-40 Engine Oil Quart
	04798232AD								Mopar 15W-40 Engine Oil Gallon
3	05073918AB	1							CAP, Main, Serviced With Item 2, (NOT SERVICED)
4	05073918AB	1							BOLT, Main Bearing Cap, Serviced With Item 2, (NOT SERVICED)
5	05073837AA	2	2, 3, 6, 7			EX8	DGZ		PLUG, Screw, Cylinder Block
6	05073850AA	2	2, 3, 6, 7			EX8	DGZ		O RING
7	05073860AA	3	2, 3, 6, 7			EX8	DGZ		PLUG, Expansion
8	05073861AA	1	2, 3, 6, 7			EX8	DGZ		CONNECTOR
-9	05073864AA	1	2, 3, 6, 7			EX8	DGZ		BALL
10	06104463AA	1	2, 3, 6, 7			EX8	DGZ		PLUG, [M12X1.5X15.0]
11	05073890AA	1	2, 3, 6, 7			EX8	DGZ		PLUG
12	05073891AA	1	2, 3, 6, 7			EX8	DGZ		O RING
13	05073869AA	2	2, 3, 6, 7			EX8	DGZ		DOWEL
14	05073895AA	5	2, 3, 6, 7			EX8	DGZ		JET, Piston Oil Cooler
15	05073868AA	2	2, 3, 6, 7			EX8	DGZ		SLEEVE
16	05073887AB	1	2, 3, 6, 7			EX8	DGZ		SEAL, Crankshaft Oil, Rear
17	06104006AA	6	2, 3, 6, 7			EX8	DGZ		BOLT, [M6X1.00X20.00], Rear Seal Retainer, Mounting
18	05073894AA	1	2, 3, 6, 7			EX8	DGZ		PIPE, Oil Return
19	05174457AA	1	2, 3, 6, 7			EX8	DGZ		HEATER, Engine Block



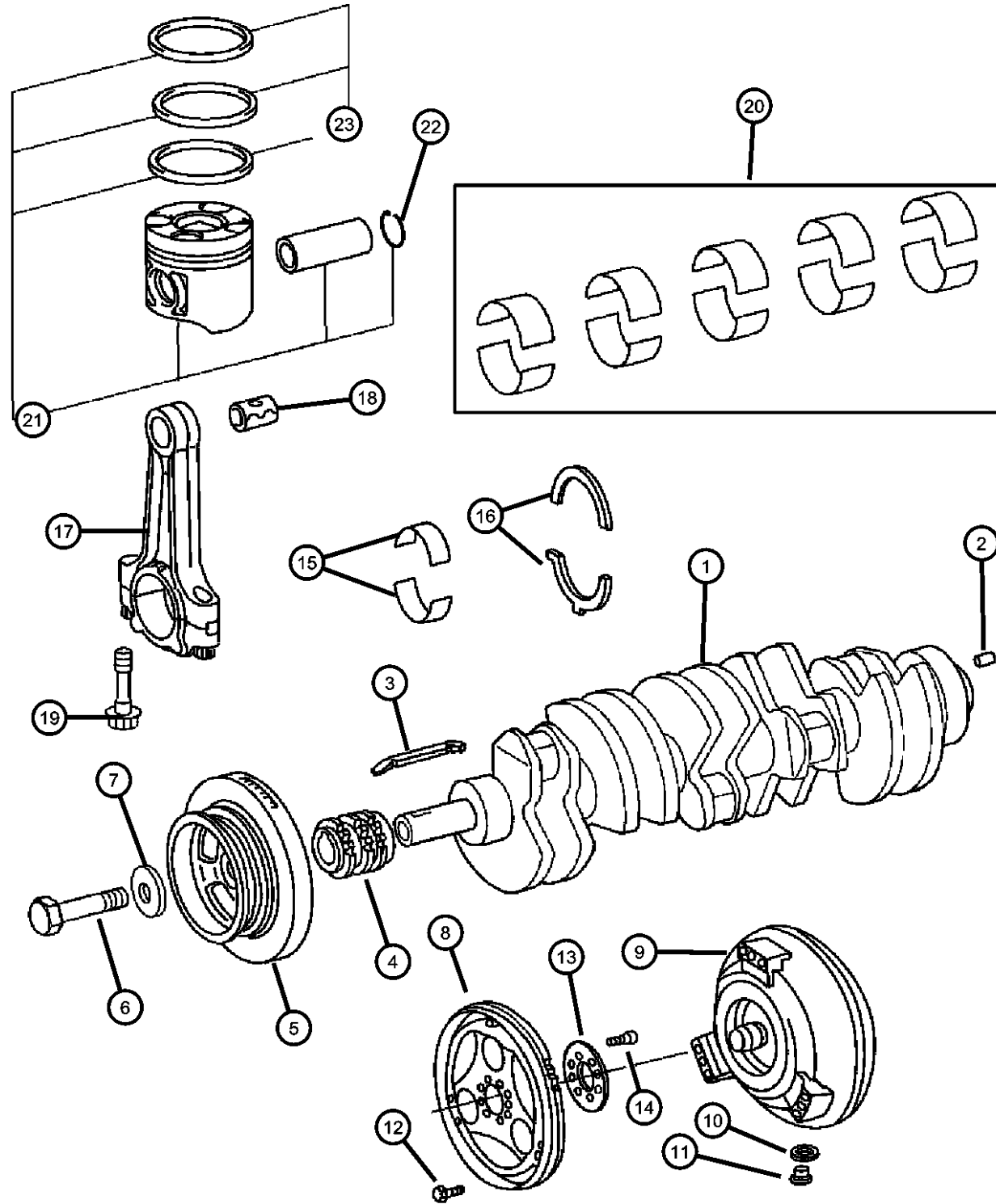
SPRINTER (VA)

SERIES	LINE	BODY	ENGINE	TRANSMISSION
L = LOWLINE	3 = HD DODGE 2WD 8 = HD DODGE 4WD 6 = Lt. Duty DODGE 4WD 2 = Med. Duty DODGE 2WD 7 = Med. Duty DODGE 4WD 4 = TRUCK	01 = CHASSIS FORWARD CONTROL W.B.1 02 = CAB CHASSIS WHEEL BASE 2 06 = CAB CHASSIS WHEEL BASE 6 11 = VAN WHEEL BASE 1 12 = VAN WHEEL BASE 2 51 = WAGON WHEEL BASE 1 52 = WAGON WHEEL BASE 2 14 = VAN WHEEL BASE 4 15 = VAN WHEEL BASE 5 54 = WAGON WHEEL BASE 4 55 = WAGON WHEEL BASE 5 56 = WAGON WHEEL BASE 6 16 = VAN WHEEL BASE 6	EX8 = 2.7L I5 Turbo Diesel Engine EX9 = 2.7L I5 Mercedes-Benz TD Engine	DGJ = 5-Speed Automatic MB Transmission DGZ = 4-Spd. Automatic MT643 Transmission

AR = use ase required - = Non illustrated part

2006 VA

**Crankshaft And Pistons 2.7L Diesel [EX8]
Figure 2.7LD-HO-405**



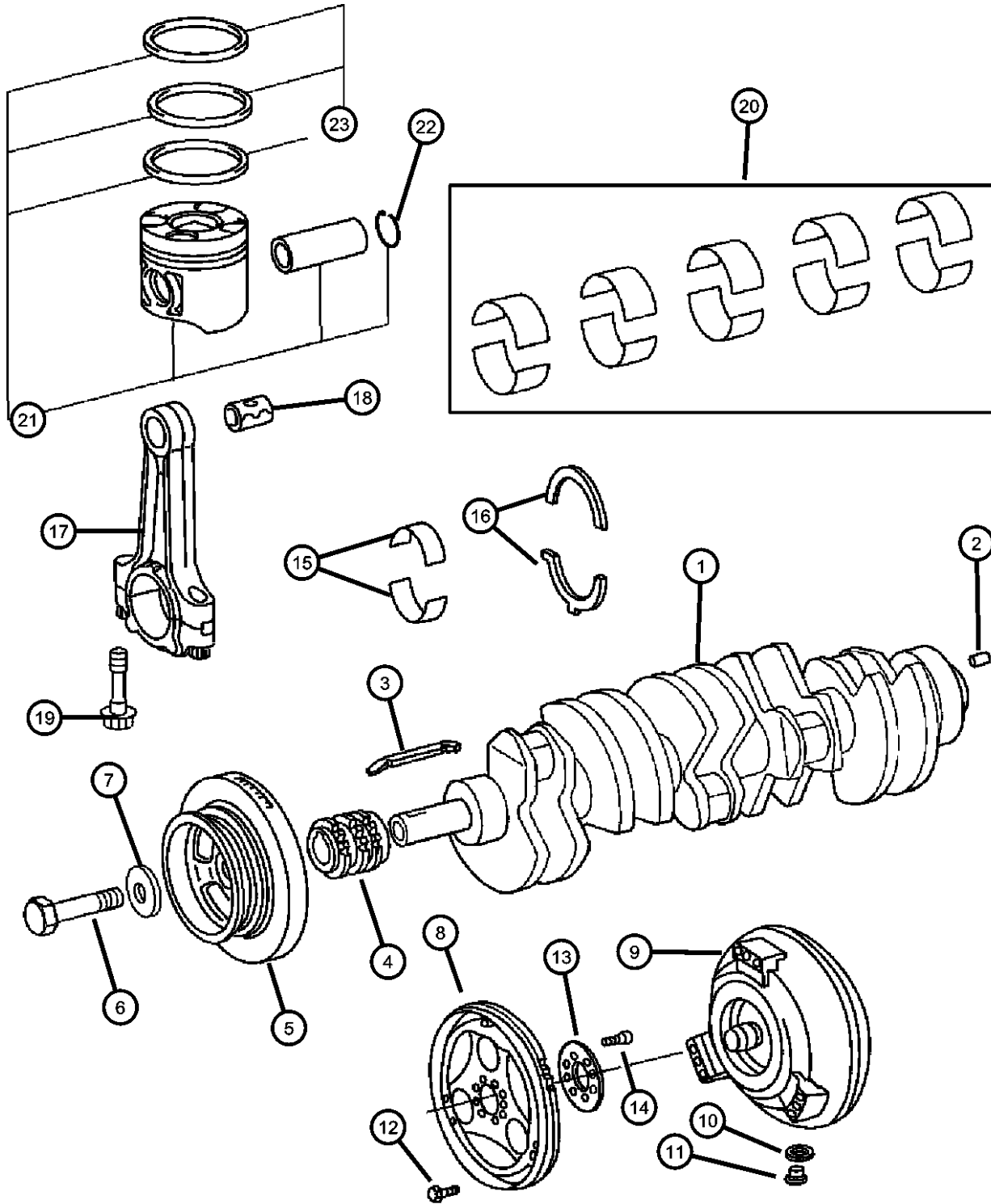
ITEM	PART NUMBER	QTY	LINE	SERIES	BODY	ENGINE	TRANS	TRIM	DESCRIPTION
NOTE: Sales Codes: [EX8] = 2.7L Inline 5 Cylinder Turbo Diesel Engine [NAS] = 50 State Emissions									
1	05080012AA	1	2, 3, 6, 7			EX8	DGZ		CRANKSHAFT, Engine
2	05080024AA	1	2, 3, 6, 7			EX8	DGZ		DOWEL
3	05073998AA	1	2, 3, 6, 7			EX8	DGZ		KEY, Woodruff
4	05117378AA	1	2, 3, 6, 7			EX8	DGZ		GEAR, Crankshaft
5	05103972AB	1	2, 3, 6, 7			EX8	DGZ		DAMPER, Crankshaft
6	05073696AA	1	2, 3, 6, 7			EX8	DGZ		SCREW, Vibration Dampner, Mounting
7	05080005AA	1	2, 3, 6, 7			EX8	DGZ		WASHER, Vibration Dampner, Mounting
8	05137274AA	1				EX8			FLEX PLATE
9	05104567AA	1	2, 3, 6, 7			EX8	DGZ		CONVERTER, Torque
10	05080014AA	1	2, 3, 6, 7			EX8	DGZ		O RING
11	05080398AB	1	2, 3, 6, 7			EX8	DGZ		PLUG
12	06507095AA	6	3, 7			EX8	DGZ		SCREW, [M8X1.25X18.00], Torque Converter To Flexplate, Mounting
13	05080066AA	1				EX8	DGZ		WASHER
14	05103968AA	7	2, 3, 6, 7			EX8	DGZ		SCREW
15	05102127AA	AR							BEARING, Crankshaft Color [Blue] - See [TSB 09-003-06]
	05102128AA	AR							Color [Yellow] - See [TSB 09-003-06]
	05102129AA	AR							Color [Red] - See [TSB 09-003-06]
	05179498AA	AR	2, 3, 6, 7			EX8	DGJ		Color [Violet] - See [TSB 09-003-06] Main Bearing Cap Only

SPRINTER (VA)

SERIES	LINE	BODY	ENGINE	TRANSMISSION
L = LOWLINE	3 = HD DODGE 2WD 8 = HD DODGE 4WD 6 = Lt. Duty DODGE 4WD 2 = Med. Duty DODGE 2WD 7 = Med. Duty DODGE 4WD 4 = TRUCK	01 = CHASSIS FORWARD CONTROL W.B.1 02 = CAB CHASSIS WHEEL BASE 2 06 = CAB CHASSIS WHEEL BASE 6 11 = VAN WHEEL BASE 1 12 = VAN WHEEL BASE 2 51 = WAGON WHEEL BASE 1 52 = WAGON WHEEL BASE 2 14 = VAN WHEEL BASE 4 15 = VAN WHEEL BASE 5 54 = WAGON WHEEL BASE 4 55 = WAGON WHEEL BASE 5 56 = WAGON WHEEL BASE 6 16 = VAN WHEEL BASE 6	EX8 = 2.7L I5 Turbo Diesel Engine EX9 = 2.7L I5 Mercedes-Benz TD Engine	DGJ = 5-Speed Automatic MB Transmission DGZ = 4-Spd. Automatic MT643 Transmission

AR = use ase required - = Non illustrated part

**Crankshaft And Pistons 2.7L Diesel [EX8]
Figure 2.7LD-HO-405**



ITEM	PART NUMBER	QTY	LINE	SERIES	BODY	ENGINE	TRANS	TRIM	DESCRIPTION
	05073953AB	AR	2, 3, 6, 7			EX8	DGJ		Color [White] - See [TSB 09-003-06] Main Bearing Cap Only
16	05086295AA	2	2, 3, 6, 7			EX8	DGZ		BEARING, Crankshaft
17	05175613AA	5	2, 3, 6, 7			EX8	DGZ		ROD, Connecting
18	05175614AA	5	2, 3, 6, 7			EX8	DGZ		BUSHING, Connecting Rod
19	05073698AA	10	2, 3, 6, 7			EX8	DGZ		BOLT, Connecting Rod
20	05086153AA	1	2, 3, 6, 7			EX8	DGZ		BEARING, Connecting Rod, STD.
21	05161392AA	5	2, 3, 6, 7			EX8	DGZ		PISTON
22	05080034AA	10	2, 3, 6, 7			EX8	DGZ		RING, Piston Pin
23	05138004AA	5	2, 3, 6, 7			EX8	DGZ		RING KIT, Piston

SPRINTER (VA)

SERIES
L = LOWLINE

LINE

3 = HD DODGE 2WD
8 = HD DODGE 4WD
6 = Lt. Duty DODGE 4WD
2 = Med. Duty DODGE 2WD
7 = Med. Duty DODGE 4WD
4 = TRUCK

BODY

01 = CHASSIS FORWARD CONTROL W.B.1
02 = CAB CHASSIS WHEEL BASE 2
06 = CAB CHASSIS WHEEL BASE 6
11 = VAN WHEEL BASE 1
12 = VAN WHEEL BASE 2
51 = WAGON WHEEL BASE 1
52 = WAGON WHEEL BASE 2
14 = VAN WHEEL BASE 4
15 = VAN WHEEL BASE 5
54 = WAGON WHEEL BASE 4
55 = WAGON WHEEL BASE 5
56 = WAGON WHEEL BASE 6
16 = VAN WHEEL BASE 6

ENGINE

EX8 = 2.7L I5 Turbo Diesel Engine
EX9 = 2.7L I5 Mercedes-Benz TD Engine

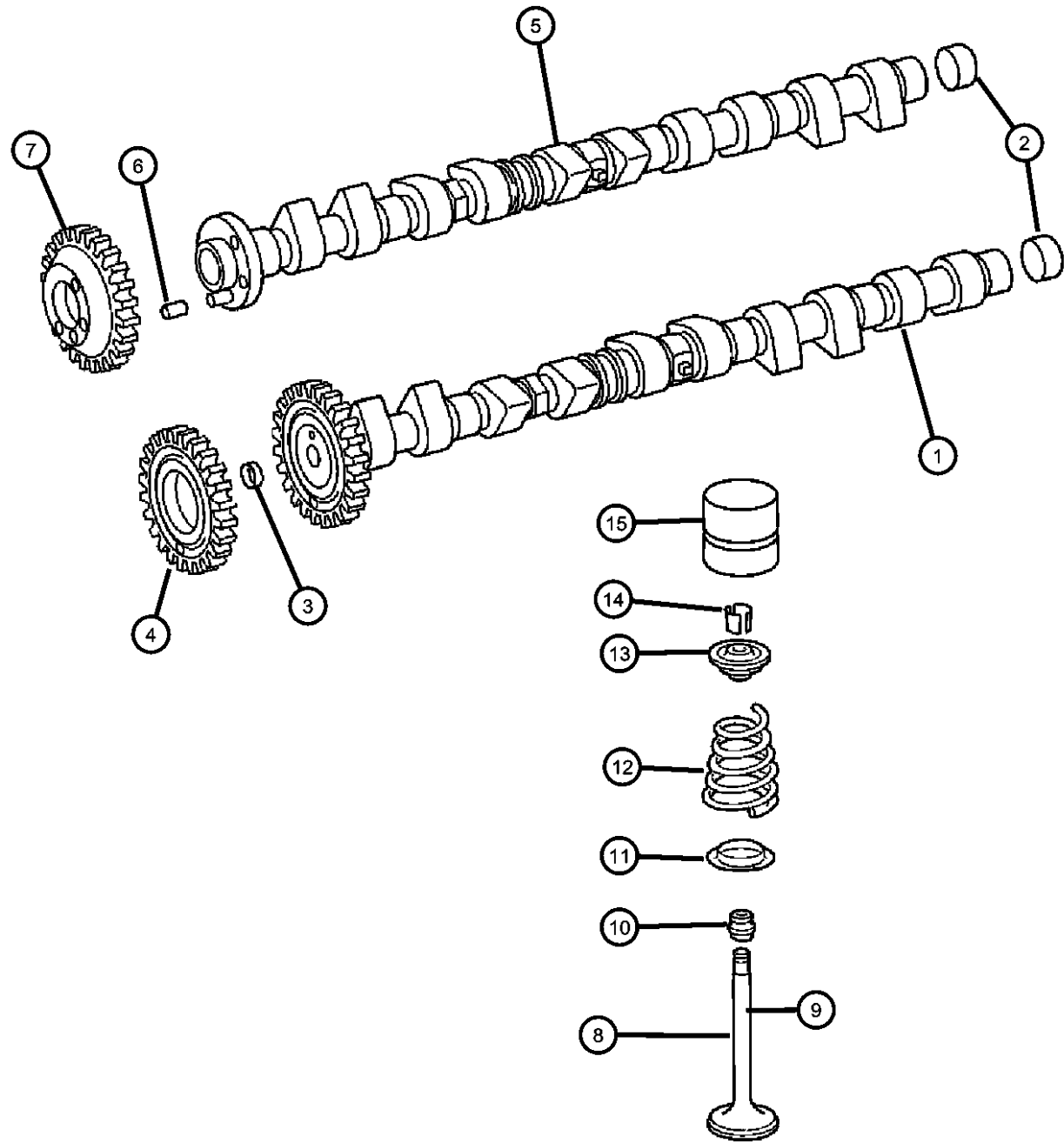
TRANSMISSION

DGJ = 5-Speed Automatic MB Transmission
DGZ = 4-Spd. Automatic MT643 Transmission

AR = use ase required - = Non illustrated part

2006 VA

**Camshaft And Valves 2.7L Diesel [EX8]
Figure 2.7LD-HO-505**



ITEM	PART NUMBER	QTY	LINE	SERIES	BODY	ENGINE	TRANS	TRIM	DESCRIPTION
1	05117371AA	1	2, 3, 6, 7			EX8	DGZ		CAMSHAFT, Intake
2	05080071AA	1	2, 3, 6, 7			EX8	DGZ		PLUG, Expansion
3	05080188AA	1	2, 3, 6, 7			EX8	DGZ		PLUG, Expansion, Intake
4	05080110AA	1	2, 3, 6, 7			EX8	DGZ		GEAR, Camshaft, Intake
5	05080095AA	1	2, 3, 6, 7			EX8	DGZ		CAMSHAFT, Exhaust
6	05080096AA	1	2, 3, 6, 7			EX8	DGZ		PIN, Dowel
7	05073814AA	1	2, 3, 6, 7			EX8	DGZ		GEAR, Camshaft, Exhaust
8	05117399AA	10	2, 3, 6, 7			EX8	DGZ		VALVE, Intake, Standard
9	05117402AA	10	2, 3, 6, 7			EX8	DGZ		VALVE, Engine Exhaust
10	05086290AA	5	2, 3, 6, 7			EX8	DGZ		SEAL, Valve Guide, Parts Kit
11	05080055AA	20	2, 3, 6, 7			EX8	DGZ		RETAINER, Valve Spring, Bottom
12	05117403AA	10	2, 3, 6, 7			EX8	DGZ		SPRING, Valve
13	05080052AA	20	2, 3, 6, 7			EX8	DGZ		RETAINER, Valve Spring, Top
14	05080051AA	40	2, 3, 6, 7			EX8	DGZ		LOCK, Valve Spring Retainer
15	05080060AB	20	2, 3, 6, 7			EX8	DGZ		TAPPET, Valve

NOTE:

Sales Codes:

[EX8] = 2.7L Inline 5 Cylinder Turbo Diesel Engine

[NAS] = 50 State Emissions

SPRINTER (VA)

SERIES

L = LOWLINE

LINE

- 3 = HD DODGE 2WD
- 8 = HD DODGE 4WD
- 6 = Lt. Duty DODGE 4WD
- 2 = Med. Duty DODGE 2WD
- 7 = Med. Duty DODGE 4WD
- 4 = TRUCK

BODY

- 01 = CHASSIS FORWARD CONTROL W.B.1
- 02 = CAB CHASSIS WHEEL BASE 2
- 06 = CAB CHASSIS WHEEL BASE 6
- 11 = VAN WHEEL BASE 1
- 12 = VAN WHEEL BASE 2
- 51 = WAGON WHEEL BASE 1
- 52 = WAGON WHEEL BASE 2
- 14 = VAN WHEEL BASE 4
- 15 = VAN WHEEL BASE 5
- 54 = WAGON WHEEL BASE 4
- 55 = WAGON WHEEL BASE 5
- 56 = WAGON WHEEL BASE 6
- 16 = VAN WHEEL BASE 6

ENGINE

- EX8 = 2.7L I5 Turbo Diesel Engine
- EX9 = 2.7L I5 Mercedes-Benz TD Engine

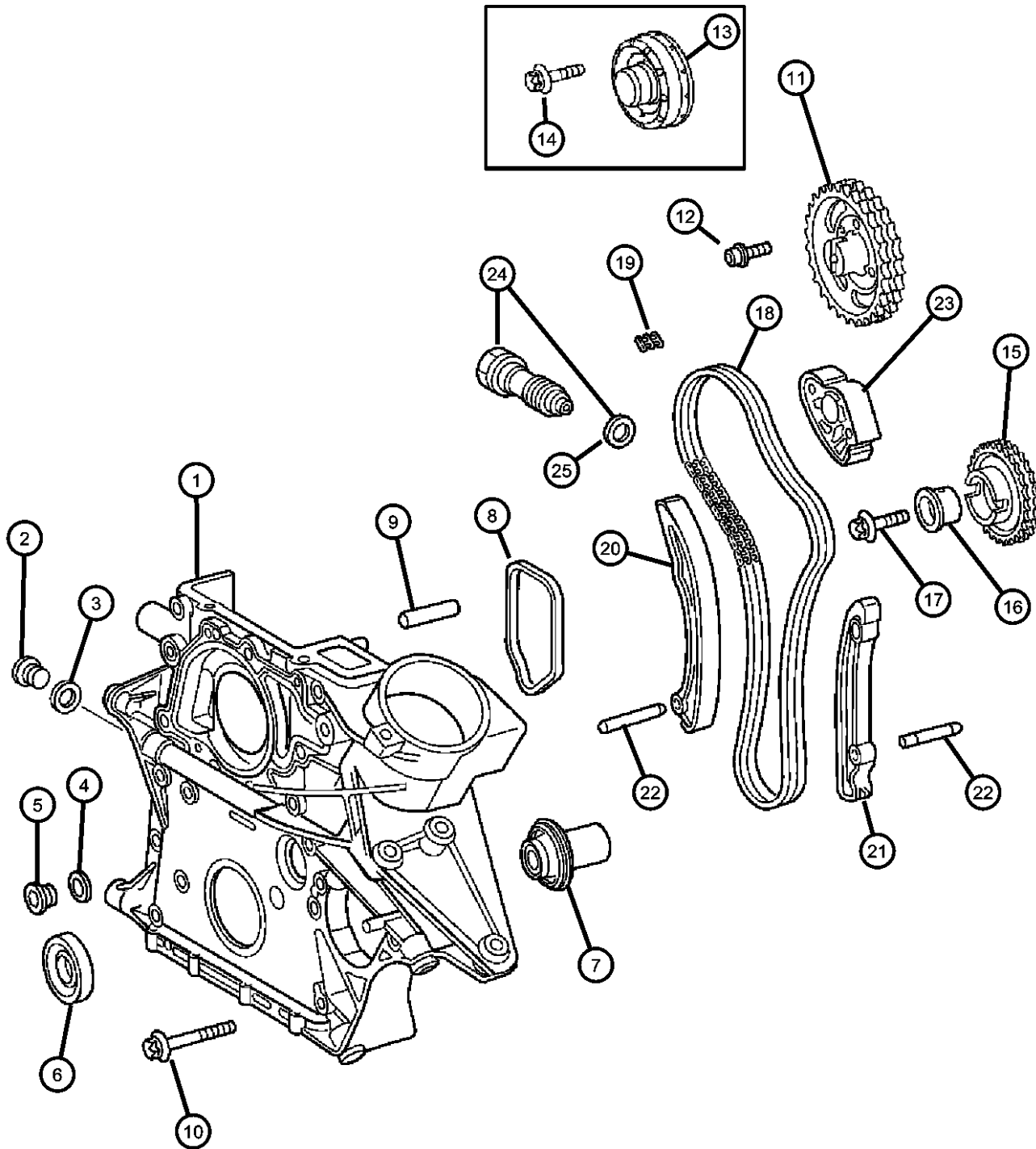
TRANSMISSION

- DGJ = 5-Speed Automatic MB Transmission
- DGZ = 4-Spd. Automatic MT643 Transmission

AR = use ase required - = Non illustrated part

2006 VA

**Timing Cover And Chain 2.7L Diesel [EX8]
Figure 2.7LD-HO-605**



ITEM	PART NUMBER	QTY	LINE	SERIES	BODY	ENGINE	TRANS	TRIM	DESCRIPTION
------	-------------	-----	------	--------	------	--------	-------	------	-------------

NOTE:
Sales Codes:
[EX8] = 2.7L Inline 5 Cylinder Turbo Diesel Engine
[NAS] = 50 State Emissions

1	05103969AA	1	2, 3, 6, 7			EX8	DGZ		COVER, Timing Case
2	05080071AA	1	2, 3, 6, 7			EX8	DGZ		PLUG, Expansion
3	05080015AA	1	2, 3, 6, 7			EX8	DGZ		O RING
4	05080014AA	1	2, 3, 6, 7			EX8	DGZ		O RING
5	05080398AB	1	2, 3, 6, 7			EX8	DGZ		PLUG
6	05073675AB	1	2, 3, 6, 7			EX8	DGZ		OIL SEAL
7	05080179AA	1	2, 3, 6, 7			EX8	DGZ		VALVE, Pressure Relief
8	05073677AA	1	2, 3, 6, 7			EX8	DGZ		GASKET, Timing Cover
9	05073936AA	1	2, 3, 6, 7			EX8	DGZ		DOWEL
10									SCREW
	05137660AA	3	2, 3, 6, 7			EX8	DGZ		[M8x1.25x80.0] Timing Cover, Mounting
	06104031AA	10	2, 3, 6, 7			EX8	DGZ		[M8x1.25x60.00] Timing Cover, Mounting
	06104035AA	1	2, 3, 6, 7			EX8	DGZ		[M8x1.25x90.00] Timing Cover, Mounting
11	05080110AA	1	2, 3, 6, 7			EX8	DGZ		GEAR, Camshaft
12	05073901AA	3	2, 3, 6, 7			EX8	DGZ		SCREW, Camshaft Pulley, Mounting
13	05137030AA	1	2, 3, 6, 7			EX8	DGZ		SEPERATOR, Oil, Camshaft
14	06104684AA	5	2, 3, 6, 7			EX8	DGZ		SCREW, [M6.0X1.0X28.0], Oil Seperator, Mounting
15	05117380AA	1	2, 3, 6, 7			EX8	DGZ		GEAR, Intermediate
16	05080098AA	1	2, 3, 6, 7			EX8	DGZ		BEARING
17	05073707AA	1	2, 3, 6, 7			EX8	DGZ		SCREW, Intermediate Gear, Mounting
18	05080209AB	1	2, 3, 6, 7			EX8	DGZ		CHAIN, Timing
19	05086196AA	1	2, 3, 6, 7			EX8	DGZ		LINK, Chain

SPRINTER (VA)

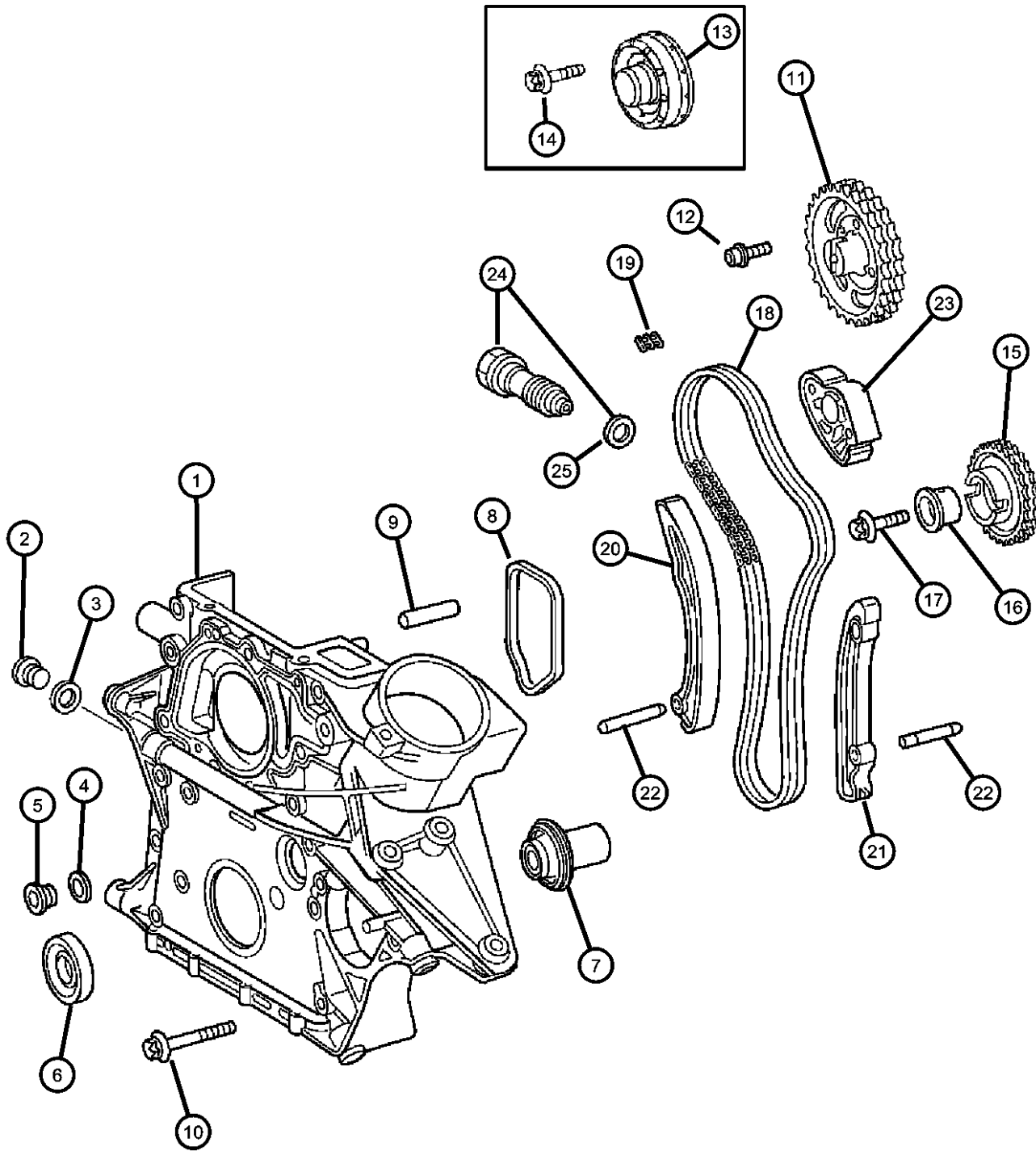
SERIES	LINE	BODY	ENGINE	TRANSMISSION
L = LOWLINE	3 = HD DODGE 2WD 8 = HD DODGE 4WD 6 = Lt. Duty DODGE 4WD 2 = Med. Duty DODGE 2WD 7 = Med. Duty DODGE 4WD 4 = TRUCK	01 = CHASSIS FORWARD CONTROL W.B.1 02 = CAB CHASSIS WHEEL BASE 2 06 = CAB CHASSIS WHEEL BASE 6 11 = VAN WHEEL BASE 1 12 = VAN WHEEL BASE 2 51 = WAGON WHEEL BASE 1 52 = WAGON WHEEL BASE 2 14 = VAN WHEEL BASE 4 15 = VAN WHEEL BASE 5 54 = WAGON WHEEL BASE 4 55 = WAGON WHEEL BASE 5 56 = WAGON WHEEL BASE 6 16 = VAN WHEEL BASE 6	EX8 = 2.7L I5 Turbo Diesel Engine EX9 = 2.7L I5 Mercedes-Benz TD Engine	DGJ = 5-Speed Automatic MB Transmission DGZ = 4-Spd. Automatic MT643 Transmission

AR = use ase required - = Non illustrated part

2006 VA

**Timing Cover And Chain 2.7L Diesel [EX8]
Figure 2.7LD-HO-605**

ITEM	PART NUMBER	QTY	LINE	SERIES	BODY	ENGINE	TRANS	TRIM	DESCRIPTION
------	-------------	-----	------	--------	------	--------	-------	------	-------------



20	05080099AA	1	2, 3, 6, 7			EX8	DGZ		GUIDE, Timing Chain
21	05080100AA	1	2, 3, 6, 7			EX8	DGZ		GUIDE, Timing Chain
22	05073870AA	2	2, 3, 6, 7			EX8	DGZ		DOWEL
23	05080101AA	1	2, 3, 6, 7			EX8	DGZ		GUIDE, Timing Chain
24	05174768AA	1	2, 3, 6, 7			EX8	DGZ		TENSIONER, Chain
25	05125905AA	1	2, 3, 6, 7			EX8	DGZ		O RING

SPRINTER (VA)

SERIES

L = LOWLINE
 3 = HD DODGE 2WD
 8 = HD DODGE 4WD
 6 = Lt. Duty DODGE 4WD
 2 = Med. Duty DODGE 2WD
 7 = Med. Duty DODGE 4WD
 4 = TRUCK

LINE

BODY

01 = CHASSIS FORWARD CONTROL W.B.1
 02 = CAB CHASSIS WHEEL BASE 2
 06 = CAB CHASSIS WHEEL BASE 6
 11 = VAN WHEEL BASE 1
 12 = VAN WHEEL BASE 2
 51 = WAGON WHEEL BASE 1
 52 = WAGON WHEEL BASE 2
 14 = VAN WHEEL BASE 4
 15 = VAN WHEEL BASE 5
 54 = WAGON WHEEL BASE 4
 55 = WAGON WHEEL BASE 5
 56 = WAGON WHEEL BASE 6
 16 = VAN WHEEL BASE 6

ENGINE

EX8 = 2.7L I5 Turbo Diesel Engine
 EX9 = 2.7L I5 Mercedes-Benz TD Engine

TRANSMISSION

DGJ = 5-Speed Automatic MB Transmission
 DGZ = 4-Spd. Automatic MT643 Transmission

AR = use ase required - = Non illustrated part

2006 VA

Vaccum Pump 2.7L Diesel [EX8]
Figure 2.7LD-HO-610

ITEM	PART NUMBER	QTY	LINE	SERIES	BODY	ENGINE	TRANS	TRIM	DESCRIPTION
------	-------------	-----	------	--------	------	--------	-------	------	-------------

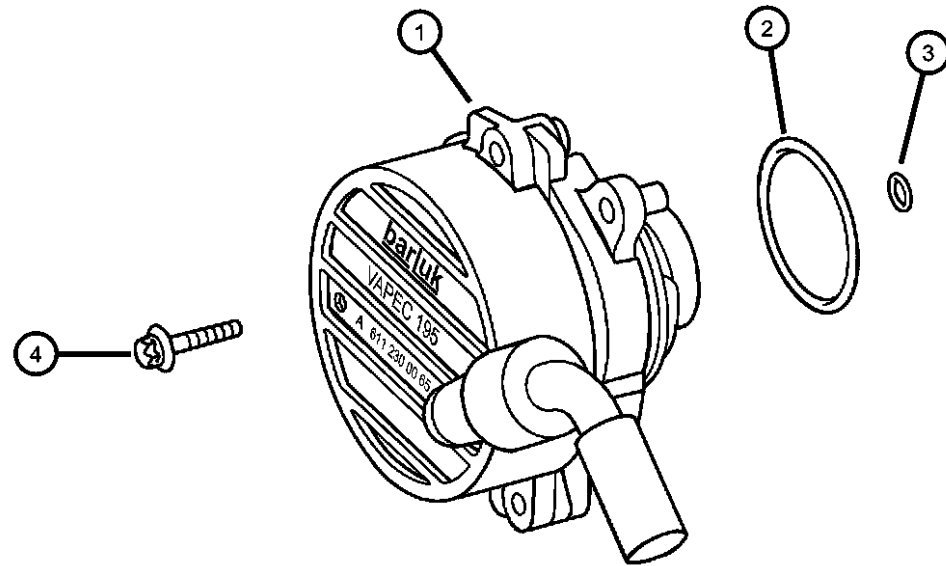
NOTE:

Sales Codes:

[EX8] = 2.7L Inline 5 Cylinder Turbo Diesel Engine

[NAS] = 50 State Emissions

1	05117675AA	1	2, 3, 6, 7			EX8	DGZ		PUMP, Vacuum
2	05080334AA	1	2, 3, 6, 7			EX8	DGZ		O RING
3	05080335AA	1	2, 3, 6, 7			EX8	DGZ		O RING
4	05073702AA	2	2, 3, 6, 7			EX8	DGZ		SCREW, Vacuum Pump, Mounting



SPRINTER (VA)

SERIES	LINE	BODY	ENGINE	TRANSMISSION
L = LOWLINE	3 = HD DODGE 2WD 8 = HD DODGE 4WD 6 = Lt. Duty DODGE 4WD 2 = Med. Duty DODGE 2WD 7 = Med. Duty DODGE 4WD 4 = TRUCK	01 = CHASSIS FORWARD CONTROL W.B.1 02 = CAB CHASSIS WHEEL BASE 2 06 = CAB CHASSIS WHEEL BASE 6 11 = VAN WHEEL BASE 1 12 = VAN WHEEL BASE 2 51 = WAGON WHEEL BASE 1 52 = WAGON WHEEL BASE 2 14 = VAN WHEEL BASE 4 15 = VAN WHEEL BASE 5 54 = WAGON WHEEL BASE 4 55 = WAGON WHEEL BASE 5 56 = WAGON WHEEL BASE 6 16 = VAN WHEEL BASE 6	EX8 = 2.7L I5 Turbo Diesel Engine EX9 = 2.7L I5 Mercedes-Benz TD Engine	DGJ = 5-Speed Automatic MB Transmission DGZ = 4-Spd. Automatic MT643 Transmission

AR = use ase required - = Non illustrated part

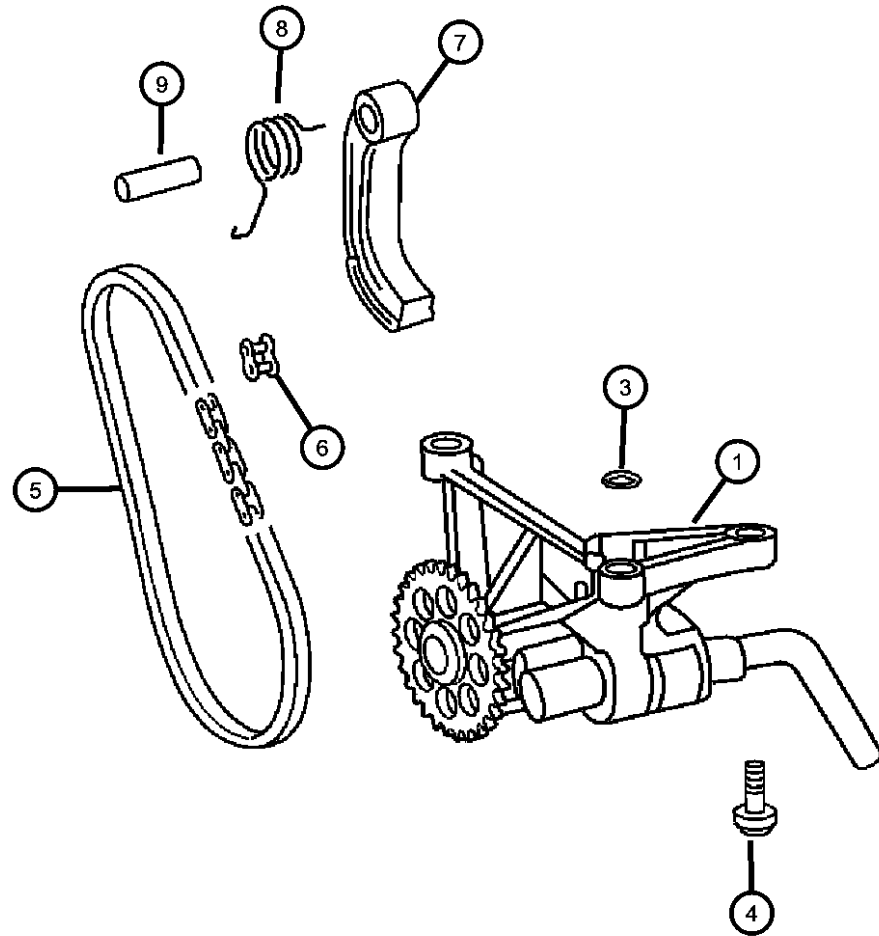
2006 VA

**Oil Pump 2.7L Diesel [EX8]
Figure 2.7LD-HO-705**

ITEM	PART NUMBER	QTY	LINE	SERIES	BODY	ENGINE	TRANS	TRIM	DESCRIPTION
------	-------------	-----	------	--------	------	--------	-------	------	-------------

NOTE:
Sales Codes:
[EX8] = 2.7L Inline 5 Cylinder Turbo Diesel Engine
[NAS] = 50 State Emissions

1	05117594AA	1	2, 3, 6, 7			EX8	DGZ		PUMP, Engine Oil
-2	05080119AA	1	2, 3, 6, 7			EX8	DGZ		SNAP RING
3	05080123AB	1	2, 3, 6, 7			EX8	DGZ		O RING
4	05073710AA	3	2, 3, 6, 7			EX8	DGZ		SCREW, Oil Pump, Mounting
5	05080128AA	1	2, 3, 6, 7			EX8	DGZ		CHAIN, Pump Drive
6	05080129AA	1	2, 3, 6, 7			EX8	DGZ		LINK, Chain
7	05080121AA	1	2, 3, 6, 7			EX8	DGZ		ARM, Tensioner
8	05080120AA	1	2, 3, 6, 7			EX8	DGZ		SPRING
9	05073871AA	1	2, 3, 6, 7			EX8	DGZ		DOWEL



SPRINTER (VA)

SERIES	LINE	BODY	ENGINE	TRANSMISSION
L = LOWLINE	3 = HD DODGE 2WD 8 = HD DODGE 4WD 6 = Lt. Duty DODGE 4WD 2 = Med. Duty DODGE 2WD 7 = Med. Duty DODGE 4WD 4 = TRUCK	01 = CHASSIS FORWARD CONTROL W.B.1 02 = CAB CHASSIS WHEEL BASE 2 06 = CAB CHASSIS WHEEL BASE 6 11 = VAN WHEEL BASE 1 12 = VAN WHEEL BASE 2 51 = WAGON WHEEL BASE 1 52 = WAGON WHEEL BASE 2 14 = VAN WHEEL BASE 4 15 = VAN WHEEL BASE 5 54 = WAGON WHEEL BASE 4 55 = WAGON WHEEL BASE 5 56 = WAGON WHEEL BASE 6 16 = VAN WHEEL BASE 6	EX8 = 2.7L I5 Turbo Diesel Engine EX9 = 2.7L I5 Mercedes-Benz TD Engine	DGJ = 5-Speed Automatic MB Transmission DGZ = 4-Spd. Automatic MT643 Transmission

AR = use ase required - = Non illustrated part

2006 VA

**Oil Cooler And Filter 2.7L Diesel [EX8]
Figure 2.7LD-HO-710**

ITEM	PART NUMBER	QTY	LINE	SERIES	BODY	ENGINE	TRANS	TRIM	DESCRIPTION
------	-------------	-----	------	--------	------	--------	-------	------	-------------

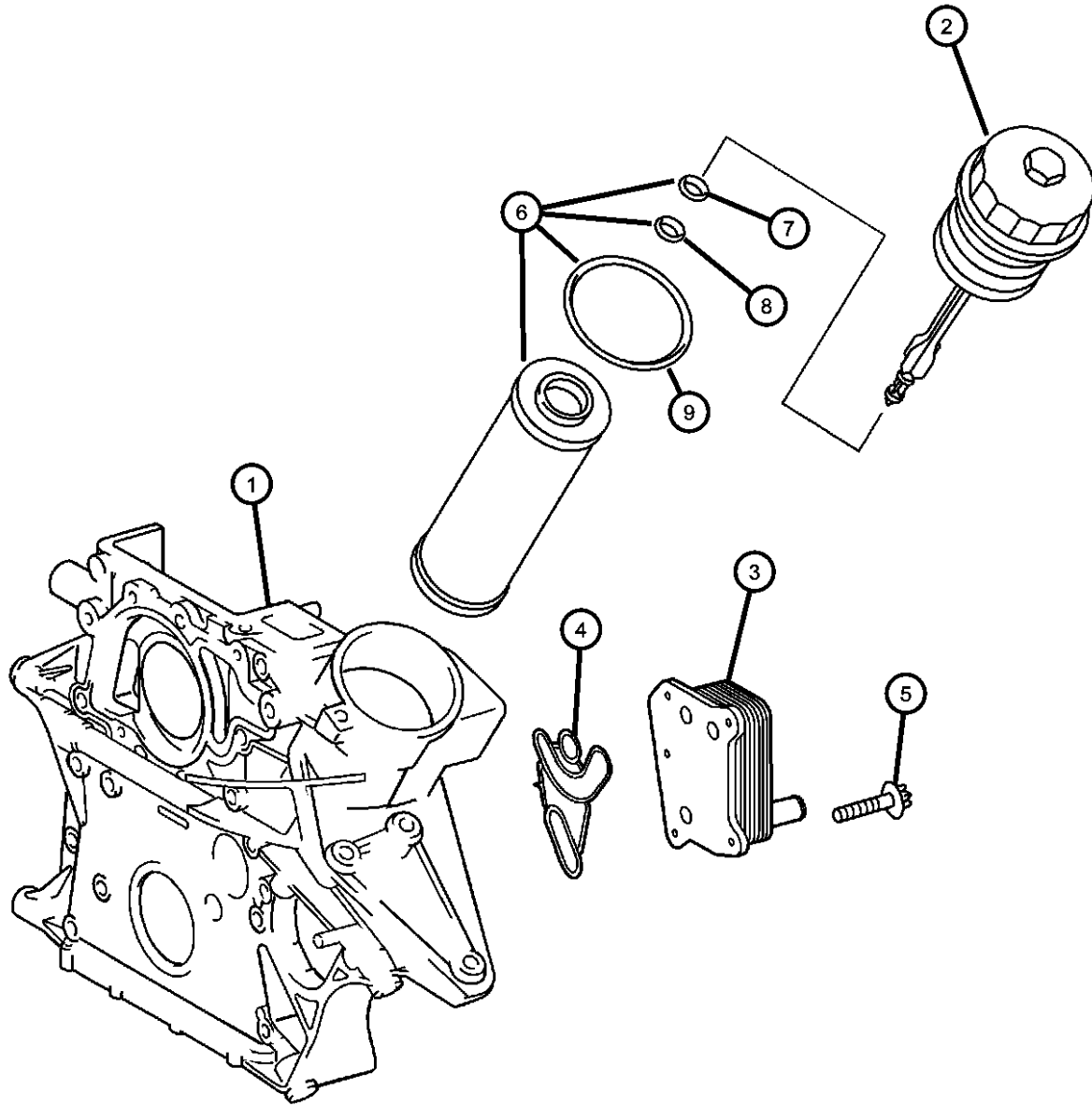
NOTE:

Sales Codes:

[EX8] = 2.7L Inline 5 Cylinder Turbo Diesel Engine

[NAS] = 50 State Emissions

1	05103969AA	1	2, 3, 6, 7			EX8	DGZ		COVER, Timing Case
2	05080029AA	1	2, 3, 6, 7			EX8	DGZ		HEAD, Oil Filter
3	05080402AA	1	2, 3, 6, 7			EX8	DGZ		COOLER, Oil
4	05080141AA	1	2, 3, 6, 7			EX8	DGZ		GASKET, Oil Cooler
5	06104144AA	3	2, 3, 6, 7			EX8	DGZ		SCREW, [M6X1.0X25.0], Oil Cooler, Mounting
6	05086301AA	1	2, 3, 6, 7			EX8	DGJ		FILTER, Engine Oil
7	05080242AA	1	2, 3, 6, 7			EX8	DGZ		O RING
8	05086297AA	1	2, 3, 6, 7			EX8	DGZ		O RING
9	05080242AA	1	2, 3, 6, 7			EX8	DGZ		O RING



SPRINTER (VA)

SERIES

L = LOWLINE

LINE

3 = HD DODGE 2WD
8 = HD DODGE 4WD
6 = Lt. Duty DODGE 4WD
2 = Med. Duty DODGE 2WD
7 = Med. Duty DODGE 4WD
4 = TRUCK

BODY

01 = CHASSIS FORWARD CONTROL W.B.1
02 = CAB CHASSIS WHEEL BASE 2
06 = CAB CHASSIS WHEEL BASE 6
11 = VAN WHEEL BASE 1
12 = VAN WHEEL BASE 2
51 = WAGON WHEEL BASE 1
52 = WAGON WHEEL BASE 2
14 = VAN WHEEL BASE 4
15 = VAN WHEEL BASE 5
54 = WAGON WHEEL BASE 4
55 = WAGON WHEEL BASE 5
56 = WAGON WHEEL BASE 6
16 = VAN WHEEL BASE 6

ENGINE

EX8 = 2.7L I5 Turbo Diesel Engine
EX9 = 2.7L I5 Mercedes-Benz TD Engine

TRANSMISSION

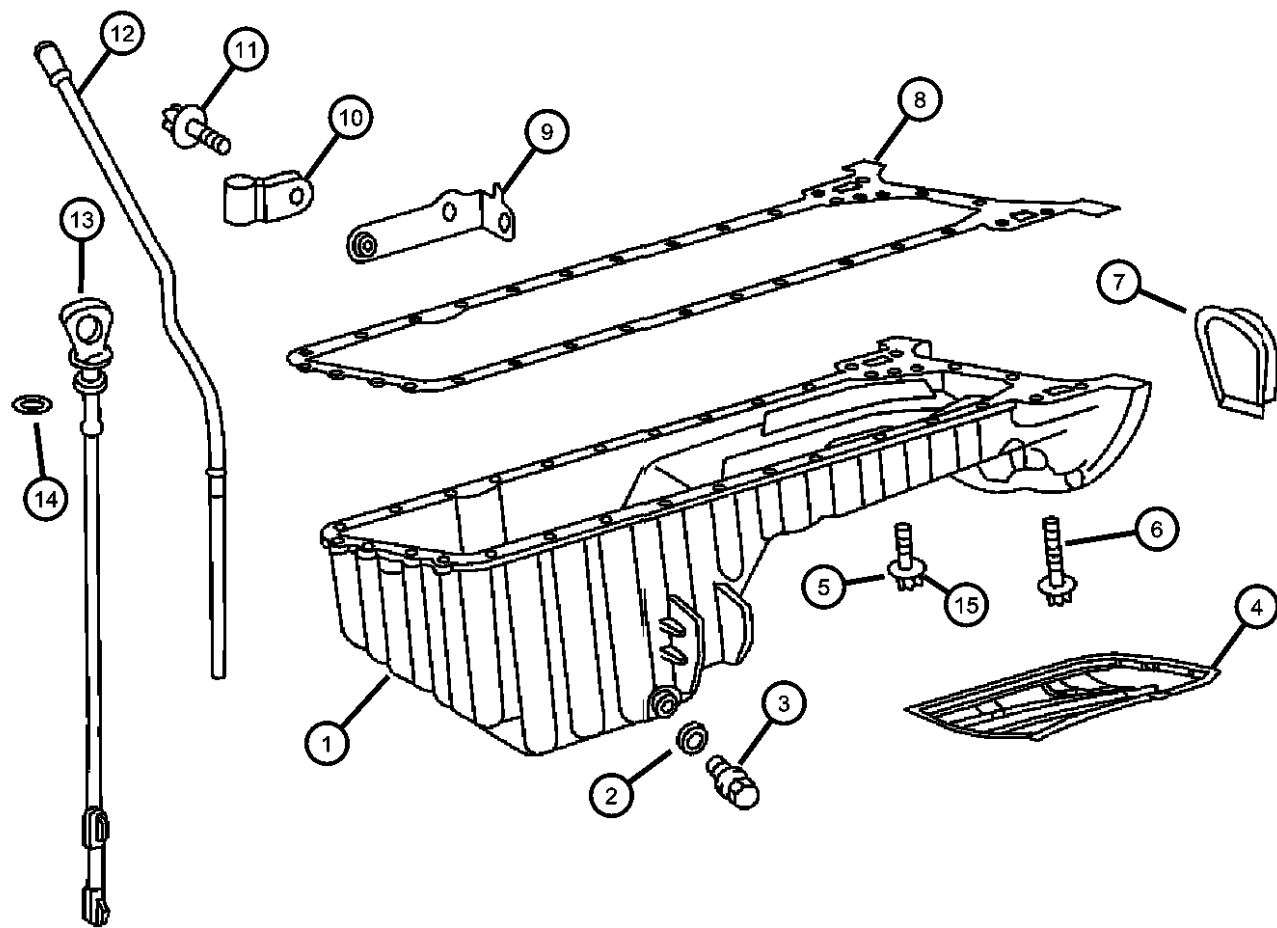
DGJ = 5-Speed Automatic MB Transmission
DGZ = 4-Spd. Automatic MT643 Transmission

AR = use ase required - = Non illustrated part

2006 VA

**Oil Pan 2.7L Diesel [EX8]
Figure 2.7LD-HO-715**

ITEM	PART NUMBER	QTY	LINE	SERIES	BODY	ENGINE	TRANS	TRIM	DESCRIPTION
NOTE: Sales Codes: [EX8] = 2.7L Inline 5 Cylinder Turbo Diesel Engine [NAS] = 50 State Emissions									
1	05117152AA	1	2, 3, 6, 7			EX8	DGZ		PAN, Oil
2	05073946AA	1	2, 3, 6, 7			EX8	DGZ		GASKET, Drain Plug
3	05073945AA	1	2, 3, 6, 7			EX8	DGZ		PLUG, Oil Drain
4	05117250AA	1	2, 3, 6, 7			EX8	DGZ		PAN, Oil, Windage Tray
5	05126198AA	4	3, 7			EX8	DGZ		BOLT, M6x20Mounting
6									BOLT
	06104006AA	18	2, 3, 6, 7			EX8	DGZ		Oil Pan [M6X1.00X20.00], Mounting
	06104029AA	2	2, 3, 6, 7			EX8	DGZ		Oil Pan [M8X1.25X50.00], Mounting
7	05103911AA	1	2, 3, 6, 7			EX8	DGZ		COVER
8	05175310AA	1	2, 3, 6, 7			EX8	DGZ		GASKET, Oil Pan
9	05117308AA	1	2, 3, 6, 7			EX8	DGZ		BRACKET
10	05073938AB	1	2, 3, 6, 7			EX8	DGZ		CLAMP, Tube Retaining
11	05135828AA	1	2, 3, 6, 7			EX8	DGZ		SCREW, Oil Indicator Tube, Mounting
12	05117302AA	1	2, 3, 6, 7			EX8	DGZ		TUBE, Engine Oil Indicator
13	05103962AA	1	2, 3, 6, 7			EX8	DGZ		INDICATOR, Engine Oil Level
14	05073943AA	1	2, 3, 6, 7			EX8	DGZ		O RING, Engine Oil Level Tube
15	05073692AA	2	2, 3, 6, 7			EX8	DGZ		SCREW

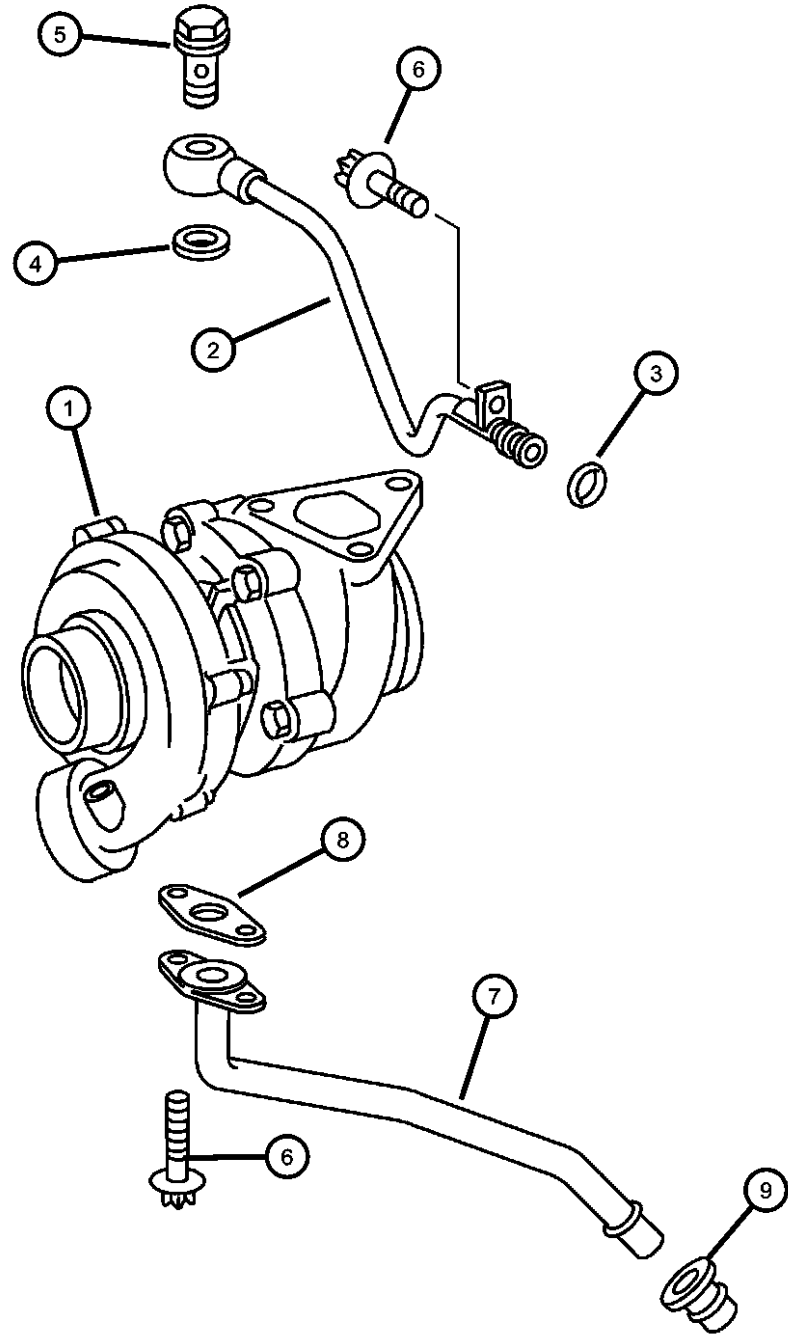


SPRINTER (VA)

SERIES	LINE	BODY	ENGINE	TRANSMISSION
L = LOWLINE	3 = HD DODGE 2WD 8 = HD DODGE 4WD 6 = Lt. Duty DODGE 4WD 2 = Med. Duty DODGE 2WD 7 = Med. Duty DODGE 4WD 4 = TRUCK	01 = CHASSIS FORWARD CONTROL W.B.1 02 = CAB CHASSIS WHEEL BASE 2 06 = CAB CHASSIS WHEEL BASE 6 11 = VAN WHEEL BASE 1 12 = VAN WHEEL BASE 2 51 = WAGON WHEEL BASE 1 52 = WAGON WHEEL BASE 2 14 = VAN WHEEL BASE 4 15 = VAN WHEEL BASE 5 54 = WAGON WHEEL BASE 4 55 = WAGON WHEEL BASE 5 56 = WAGON WHEEL BASE 6 16 = VAN WHEEL BASE 6	EX8 = 2.7L I5 Turbo Diesel Engine EX9 = 2.7L I5 Mercedes-Benz TD Engine	DGJ = 5-Speed Automatic MB Transmission DGZ = 4-Spd. Automatic MT643 Transmission

AR = use ase required - = Non illustrated part

**Turbo, Oil Feed And Return Lines 2.7L Diesel [EX8]
Figure 2.7LD-HO-720**



ITEM	PART NUMBER	QTY	LINE	SERIES	BODY	ENGINE	TRANS	TRIM	DESCRIPTION
------	-------------	-----	------	--------	------	--------	-------	------	-------------

NOTE:

Sales Codes:

[EX8] = 2.7L Inline 5 Cylinder Turbo Diesel Engine

[NAS] = 50 State Emissions

1	05142494AA	1	2, 3, 6, 7			EX8	DGZ		TURBOCHARGER
2	05103984AA	1	2, 3, 6, 7			EX8	DGZ		TUBE, Turbo Oil Feed
3	05080135AA	1	2, 3, 6, 7			EX8	DGZ		O RING
4	05080136AB	2	2, 3, 6, 7			EX8	DGZ		O RING
5	05080137AA	1	2, 3, 6, 7			EX8	DGZ		SCREW, Oil Line, Mounting
6	06104005AA	2	2, 3, 6, 7			EX8	DGZ		SCREW, [M6X1.00X16.00], Oil Line, Mounting
7	05103983AA	1	2, 3, 6, 7			EX8	DGZ		TUBE, Turbo Oil Return
8	05117624AA	1	2, 3, 6, 7			EX8	DGZ		GASKET, Turbo Oil Return Pipe
9	05080140AB	1	2, 3, 6, 7			EX8	DGZ		GASKET, Turbo Oil Return Pipe

SPRINTER (VA)

SERIES

L = LOWLINE

LINE

3 = HD DODGE 2WD
8 = HD DODGE 4WD
6 = Lt. Duty DODGE 4WD
2 = Med. Duty DODGE 2WD
7 = Med. Duty DODGE 4WD
4 = TRUCK

BODY

01 = CHASSIS FORWARD CONTROL W.B.1
02 = CAB CHASSIS WHEEL BASE 2
06 = CAB CHASSIS WHEEL BASE 6
11 = VAN WHEEL BASE 1
12 = VAN WHEEL BASE 2
51 = WAGON WHEEL BASE 1
52 = WAGON WHEEL BASE 2
14 = VAN WHEEL BASE 4
15 = VAN WHEEL BASE 5
54 = WAGON WHEEL BASE 4
55 = WAGON WHEEL BASE 5
56 = WAGON WHEEL BASE 6
16 = VAN WHEEL BASE 6

ENGINE

EX8 = 2.7L I5 Turbo Diesel Engine
EX9 = 2.7L I5 Mercedes-Benz TD Engine

TRANSMISSION

DGJ = 5-Speed Automatic MB Transmission
DGZ = 4-Spd. Automatic MT643 Transmission

AR = use ase required - = Non illustrated part

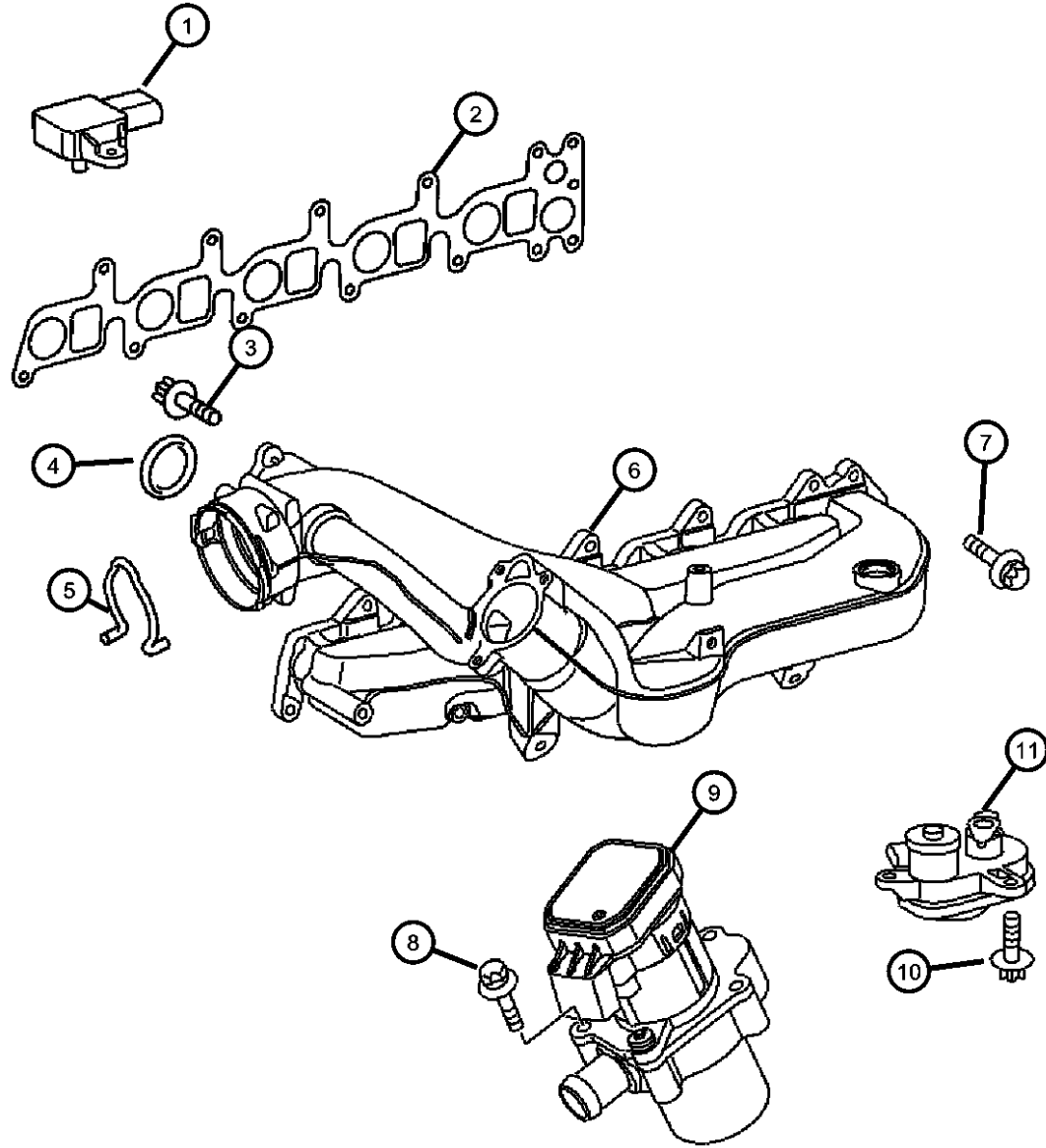
2006 VA

**Intake Manifold 2.7L Diesel [EX8]
Figure 2.7LD-HO-805**

ITEM	PART NUMBER	QTY	LINE	SERIES	BODY	ENGINE	TRANS	TRIM	DESCRIPTION
------	-------------	-----	------	--------	------	--------	-------	------	-------------

NOTE:
Sales Codes:
[EX8] = 2.7L Inline 5 Cylinder Turbo Diesel Engine
[NAS] = 50 State Emissions

1									SENSOR, Coolant Level
	05120509AA	1	2, 6			EX8	DGZ		
		1	3, 7			EX8	DGZ		
2	05080324AA	1	2, 3, 6, 7			EX8	DGZ		GASKET, Intake Manifold
3	06104005AA	2	2, 3, 6, 7			EX8	DGZ		SCREW, [M6X1.00X16.00], Intake Manifold, Mounting
4	05137197AA	1	2, 3, 6, 7			EX8	DGZ		GASKET, EGR Valve
5	05136770AA	1	2, 3, 6, 7			EX8	DGZ		SPRING
6	05136769AA	1	2, 3, 6, 7			EX8	DGZ		MANIFOLD, Intake
7	05073903AA	8	2, 3, 6, 7			EX8	DGZ		SCREW, Intake Manifold, Mounting
8	06104008AA	8	2, 3, 6, 7			EX8	DGZ		SCREW, [M6X1.00X30.00]Mounting
9	05166850AA	1	2, 3, 6, 7			EX8	DGZ		VALVE, EGR
10	06104005AA	2	2, 3, 6, 7			EX8	DGZ		SCREW, [M6X1.00X16.00]Mounting
11	05135893AA	1	2, 3, 6, 7			EX8	DGZ		MOTOR, Air Idle Speed



SPRINTER (VA)

SERIES	LINE	BODY	ENGINE	TRANSMISSION
L = LOWLINE	3 = HD DODGE 2WD 8 = HD DODGE 4WD 6 = Lt. Duty DODGE 4WD 2 = Med. Duty DODGE 2WD 7 = Med. Duty DODGE 4WD 4 = TRUCK	01 = CHASSIS FORWARD CONTROL W.B.1 02 = CAB CHASSIS WHEEL BASE 2 06 = CAB CHASSIS WHEEL BASE 6 11 = VAN WHEEL BASE 1 12 = VAN WHEEL BASE 2 51 = WAGON WHEEL BASE 1 52 = WAGON WHEEL BASE 2 14 = VAN WHEEL BASE 4 15 = VAN WHEEL BASE 5 54 = WAGON WHEEL BASE 4 55 = WAGON WHEEL BASE 5 56 = WAGON WHEEL BASE 6 16 = VAN WHEEL BASE 6	EX8 = 2.7L I5 Turbo Diesel Engine EX9 = 2.7L I5 Mercedes-Benz TD Engine	DGJ = 5-Speed Automatic MB Transmission DGZ = 4-Spd. Automatic MT643 Transmission

AR = use ase required - = Non illustrated part

2006 VA

**Exhaust Manifold 2.7L Diesel [EX8]
Figure 2.7LD-HO-810**

ITEM	PART NUMBER	QTY	LINE	SERIES	BODY	ENGINE	TRANS	TRIM	DESCRIPTION
------	-------------	-----	------	--------	------	--------	-------	------	-------------

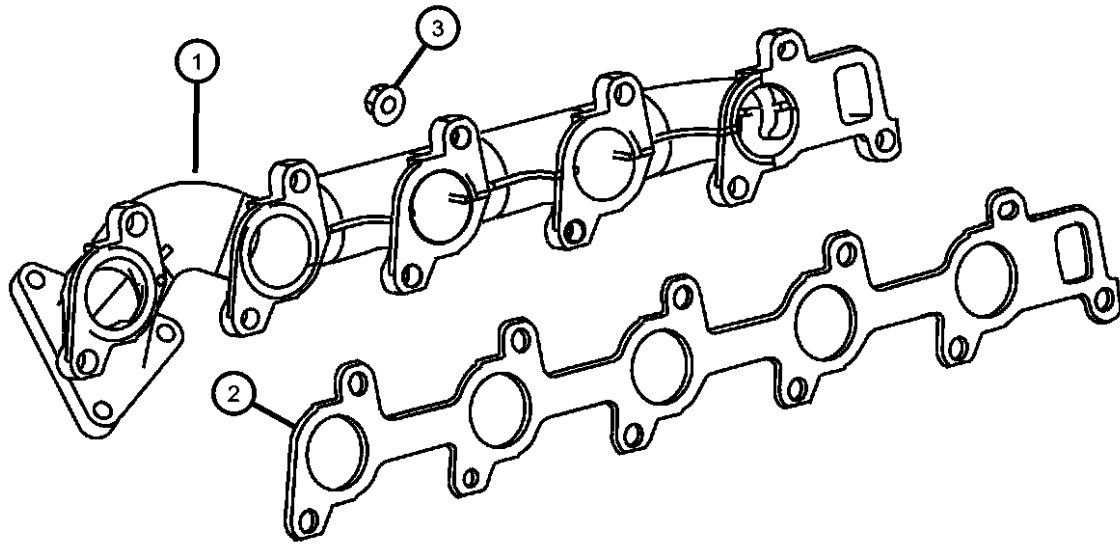
NOTE:

Sales Codes:

[EX8] = 2.7L Inline 5 Cylinder Turbo Diesel Engine

[NAS] = 50 State Emissions

1	05117523AA	1	2, 3, 6, 7			EX8	DGZ		MANIFOLD, Exhaust
2	05117528AA	1	2, 3, 6, 7			EX8	DGZ		GASKET, Exhaust Manifold
3	06104729AA	11	2, 3, 6, 7			EX8	DGZ		NUT, [M8X1.25], Exhaust Manifold, Mounting



SPRINTER (VA)

SERIES	LINE	BODY	ENGINE	TRANSMISSION
L = LOWLINE	3 = HD DODGE 2WD 8 = HD DODGE 4WD 6 = Lt. Duty DODGE 4WD 2 = Med. Duty DODGE 2WD 7 = Med. Duty DODGE 4WD 4 = TRUCK	01 = CHASSIS FORWARD CONTROL W.B.1 02 = CAB CHASSIS WHEEL BASE 2 06 = CAB CHASSIS WHEEL BASE 6 11 = VAN WHEEL BASE 1 12 = VAN WHEEL BASE 2 51 = WAGON WHEEL BASE 1 52 = WAGON WHEEL BASE 2 14 = VAN WHEEL BASE 4 15 = VAN WHEEL BASE 5 54 = WAGON WHEEL BASE 4 55 = WAGON WHEEL BASE 5 56 = WAGON WHEEL BASE 6 16 = VAN WHEEL BASE 6	EX8 = 2.7L I5 Turbo Diesel Engine EX9 = 2.7L I5 Mercedes-Benz TD Engine	DGJ = 5-Speed Automatic MB Transmission DGZ = 4-Spd. Automatic MT643 Transmission

AR = use ase required - = Non illustrated part

2006 VA

**Crankcase Ventilation 2.7L Diesel [EX8]
Figure 2.7LD-HO-905**

ITEM	PART NUMBER	QTY	LINE	SERIES	BODY	ENGINE	TRANS	TRIM	DESCRIPTION
------	-------------	-----	------	--------	------	--------	-------	------	-------------

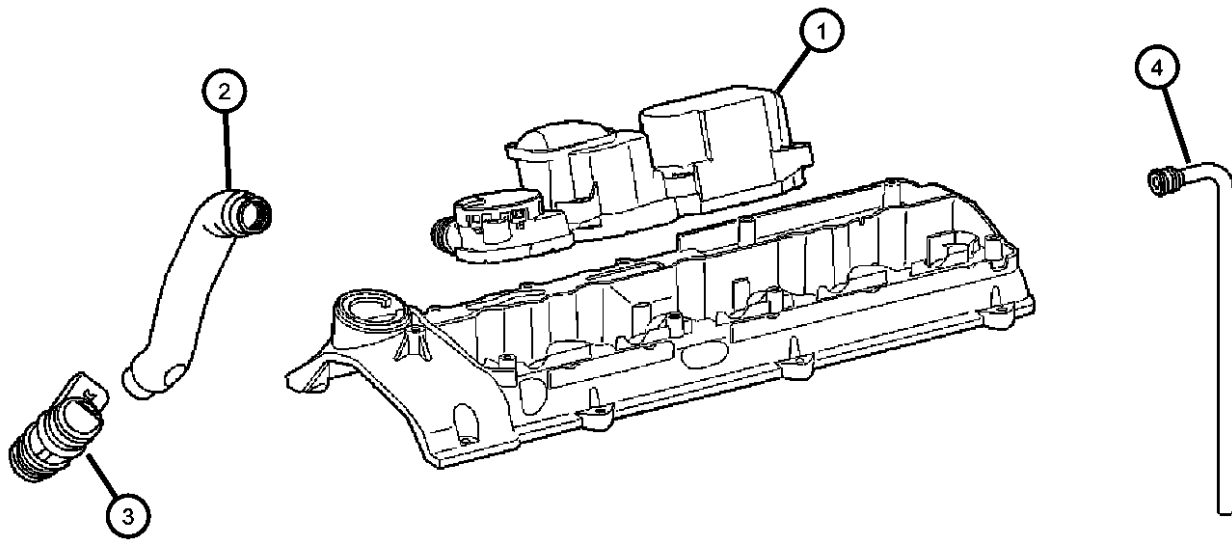
NOTE:

Sales Codes:

[EX8] = 2.7L Inline 5 Cylinder Turbo Diesel Engine

[NAS] = 50 State Emissions

1	05137030AA	1	2, 3, 6, 7			EX8	DGZ		SEPERATOR, Oil
2	05117234AB	1	2, 3, 6, 7			EX8	DGZ		HOSE, Air Induction
3	05117289AA	1	2, 3, 6, 7			EX8	DGZ		TUBE, Crankcase Vent Valve
4	05117291AA	1	2, 3, 6, 7			EX8	DGZ		HOSE



SPRINTER (VA)

SERIES	LINE	BODY	ENGINE	TRANSMISSION
L = LOWLINE	3 = HD DODGE 2WD 8 = HD DODGE 4WD 6 = Lt. Duty DODGE 4WD 2 = Med. Duty DODGE 2WD 7 = Med. Duty DODGE 4WD 4 = TRUCK	01 = CHASSIS FORWARD CONTROL W.B.1 02 = CAB CHASSIS WHEEL BASE 2 06 = CAB CHASSIS WHEEL BASE 6 11 = VAN WHEEL BASE 1 12 = VAN WHEEL BASE 2 51 = WAGON WHEEL BASE 1 52 = WAGON WHEEL BASE 2 14 = VAN WHEEL BASE 4 15 = VAN WHEEL BASE 5 54 = WAGON WHEEL BASE 4 55 = WAGON WHEEL BASE 5 56 = WAGON WHEEL BASE 6 16 = VAN WHEEL BASE 6	EX8 = 2.7L I5 Turbo Diesel Engine EX9 = 2.7L I5 Mercedes-Benz TD Engine	DGJ = 5-Speed Automatic MB Transmission DGZ = 4-Spd. Automatic MT643 Transmission

AR = use ase required - = Non illustrated part

2006 VA

Group - 11

Exhaust

Group - 11 Exhaust

Illustration Title

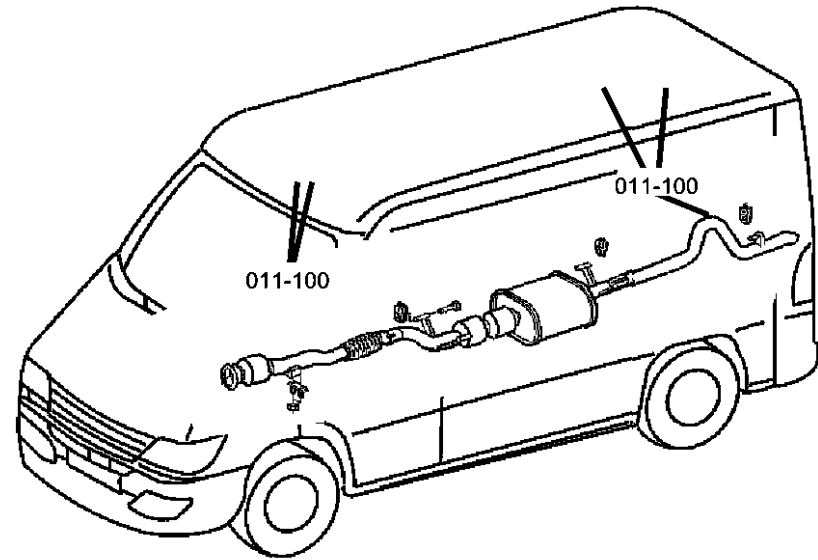
Group-Fig. No.

Exhaust System

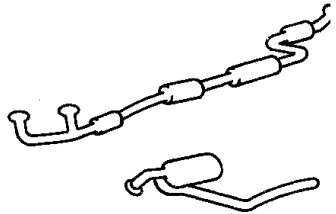
Exhaust System Fig. 11 - 110

Heat Shields

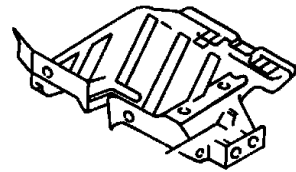
Heat Shields Exhaust Fig. 11 - 210



011-100
Exhaust System

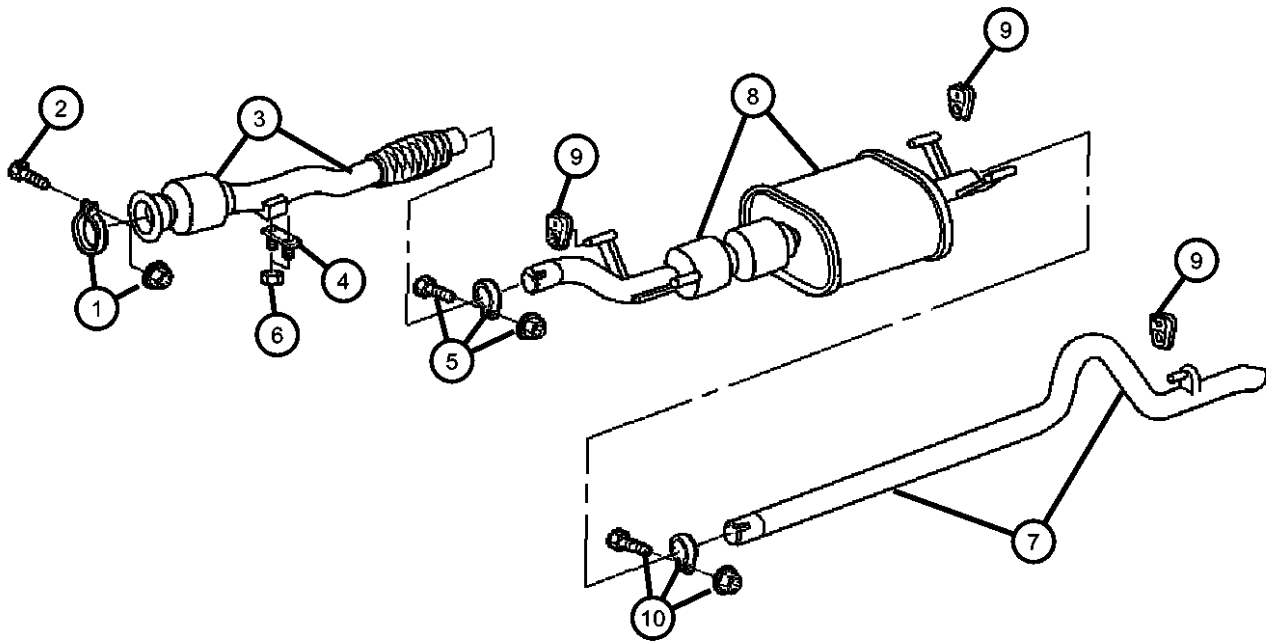


011-200
Heat Shields



**Exhaust System
Figure 11-110**

ITEM	PART NUMBER	QTY	LINE	SERIES	BODY	ENGINE	TRANS	TRIM	DESCRIPTION
Note; Sales Codes: [EX8] = 2.7L I5 Turbo Diesel Engine [5AC] = 118 Inch Wheel Base [5AE] = 140 Inch Wheel Base [5AF] = 158 Inch Wheel Base									
1	05117291AA	1							CLAMP, Exhaust, (NOT SERVICED)
2	06104027AA	1	2, 6	L	01, 02, 06	EX8	DGZ		SCREW
		1	2, 6	L	11, 12, 14, 15, 16	EX8	DGZ		
		1	2, 6	L	51, 52, 54, 55, 56	EX8	DGZ		
		1	3, 7	L	02, 06	EX8	DGZ		
		1	3, 7	L	12, 15, 16	EX8	DGZ		
3	05119764AA	1	2, 6	L	01, 02, 06	EX8	DGZ		PIPE, Exhaust
		1	2, 6	L	11, 12, 14, 15, 16	EX8	DGZ		
		1	2, 6	L	51, 52, 54, 55, 56	EX8	DGZ		
4	05136635AA	1	2, 6	L	06	EX8	DGZ		With [5AF+NEP] BRACKET, Exhaust
	05119943AA	1	2, 6	L	01, 02, 06	EX8	DGZ		
		1	2, 6	L	11, 12, 14, 15, 16	EX8	DGZ		
		1	2, 6	L	51, 52, 54, 55, 56	EX8	DGZ		
		1	3, 7	L	02, 06	EX8	DGZ		
		1	3, 7	L	12, 15, 16	EX8	DGZ		
5	05127230AA	1	2, 6	L	01, 02, 06	EX8	DGZ		CLAMP, Exhaust
		1	2, 6	L	11, 12, 14, 15, 16	EX8	DGZ		

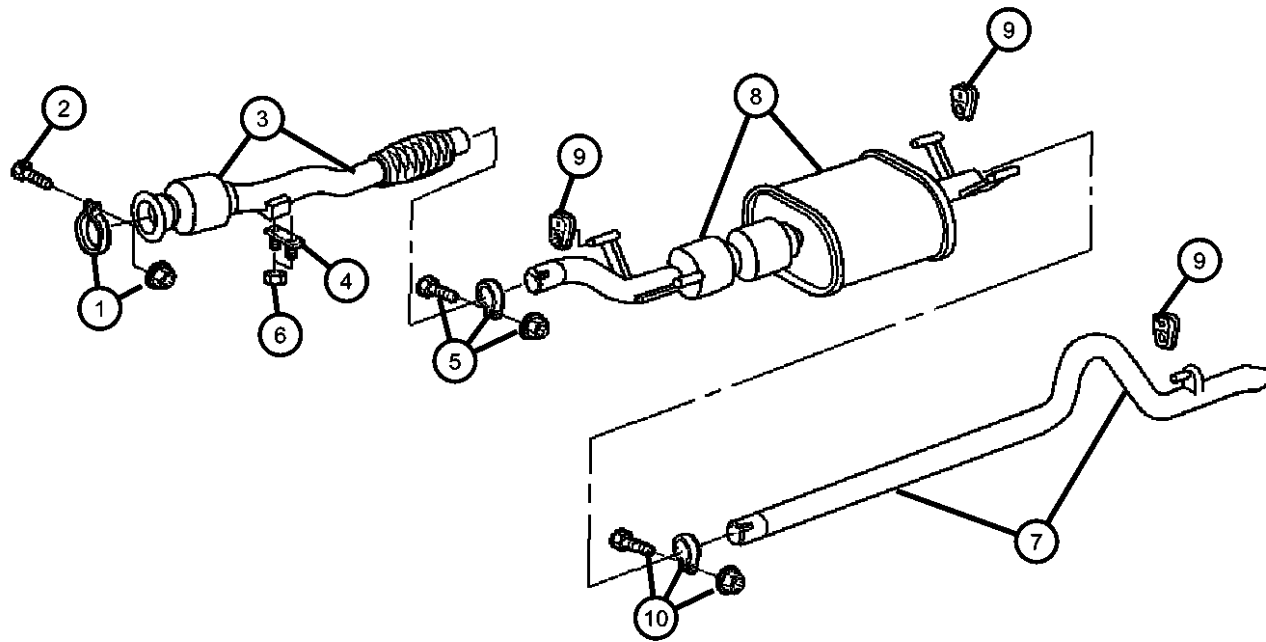


SPRINTER (VA)

SERIES	LINE	BODY	ENGINE	TRANSMISSION
L = LOWLINE	3 = HD DODGE 2WD 8 = HD DODGE 4WD 6 = Lt. Duty DODGE 4WD 2 = Med. Duty DODGE 2WD 7 = Med. Duty DODGE 4WD 4 = TRUCK	01 = CHASSIS FORWARD CONTROL W.B.1 02 = CAB CHASSIS WHEEL BASE 2 06 = CAB CHASSIS WHEEL BASE 6 11 = VAN WHEEL BASE 1 12 = VAN WHEEL BASE 2 51 = WAGON WHEEL BASE 1 52 = WAGON WHEEL BASE 2 14 = VAN WHEEL BASE 4 15 = VAN WHEEL BASE 5 54 = WAGON WHEEL BASE 4 55 = WAGON WHEEL BASE 5 56 = WAGON WHEEL BASE 6 16 = VAN WHEEL BASE 6	EX8 = 2.7L I5 Turbo Diesel Engine EX9 = 2.7L I5 Mercedes-Benz TD Engine	DGJ = 5-Speed Automatic MB Transmission DGZ = 4-Spd. Automatic MT643 Transmission

AR = use ase required - = Non illustrated part

Exhaust System
Figure 11-110



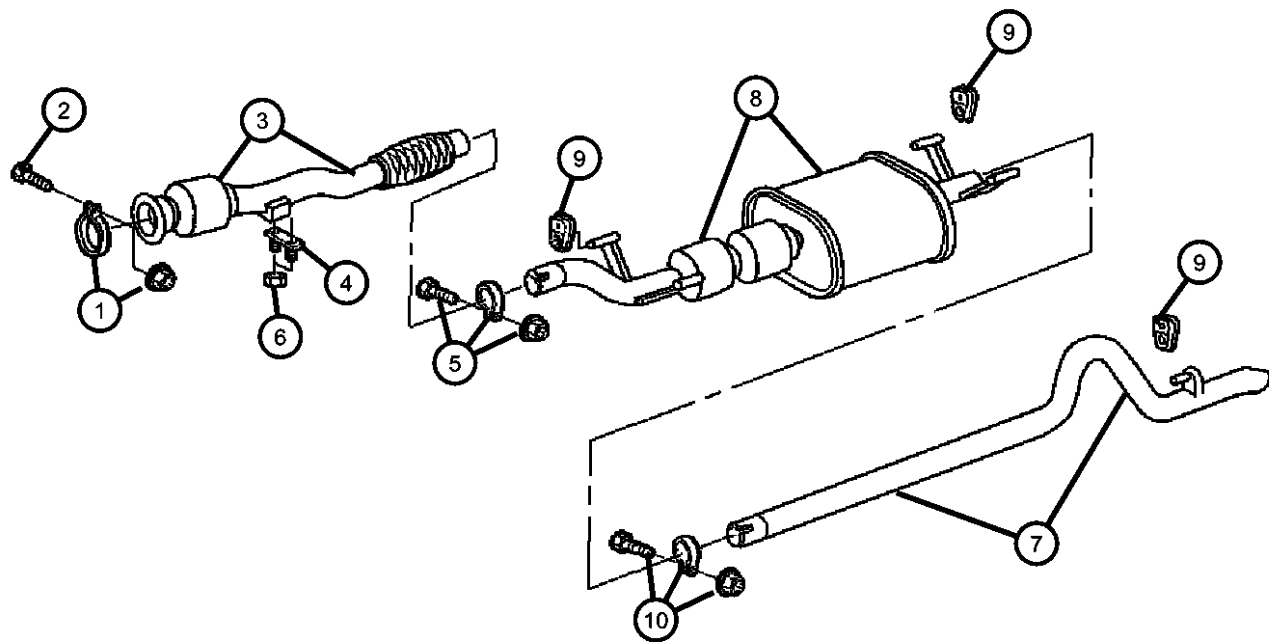
ITEM	PART NUMBER	QTY	LINE	SERIES	BODY	ENGINE	TRANS	TRIM	DESCRIPTION
		1	2, 6	L	51, 52, 54, 55, 56	EX8	DGZ		
		1	3, 7	L	02, 06	EX8	DGZ		
		1	3, 7	L	12, 15, 16	EX8	DGZ		
6									NUT, Catalytic Converter Mounting
	05101226AA	2	2, 6	L	01, 02, 06	EX8	DGZ		
		2	2, 6	L	11, 12, 14, 15, 16	EX8	DGZ		
		2	2, 6	L	51, 52, 54, 55, 56	EX8	DGZ		
		2	3, 7	L	02, 06	EX8	DGZ		
		2	3, 7	L	12, 15, 16	EX8	DGZ		
7									PIPE, Tail
	05104107AA	1	2, 6	L	02	EX8	DGZ		With [5AE+NEP]
		1	2, 6	L	12, 15	EX8	DGZ		With [5AE+NEP]
		1	2, 6	L	52, 55	EX8	DGZ		With [5AE+NEP]
	05104108AA	1	2, 6	L	16	EX8	DGZ		With [5AF+NEP]
		1	2, 6	L	56	EX8	DGZ		With [5AF+NEP]
	05119778AA	1	2, 6	L	01	EX8	DGZ		With [5AF+NEP]
		1	2, 6	L	11, 14	EX8	DGZ		With [5AC+NEP]
		1	2, 6	L	51, 54	EX8	DGZ		With [5AC+NEP]
	05119791AA	1	3, 7	L	02	EX8	DGZ		With [5AC+NEP]
		1	3, 7	L	12, 15	EX8	DGZ		With [5AC+NEP]
	05119793AA	1	3, 7	L	06	EX8	DGZ		With [5AF+NEP]
		1	3, 7	L	16	EX8	DGZ		With [5AF+NEP]
8									MUFFLER, Exhaust
	05119762AA	1	2, 6	L	01, 02, 06	EX8	DGZ		
		1	2, 6	L	11, 12, 14, 15, 16	EX8	DGZ		

SPRINTER (VA)

SERIES	LINE	BODY	ENGINE	TRANSMISSION
L = LOWLINE	3 = HD DODGE 2WD 8 = HD DODGE 4WD 6 = Lt. Duty DODGE 4WD 2 = Med. Duty DODGE 2WD 7 = Med. Duty DODGE 4WD 4 = TRUCK	01 = CHASSIS FORWARD CONTROL W.B.1 02 = CAB CHASSIS WHEEL BASE 2 06 = CAB CHASSIS WHEEL BASE 6 11 = VAN WHEEL BASE 1 12 = VAN WHEEL BASE 2 51 = WAGON WHEEL BASE 1 52 = WAGON WHEEL BASE 2 14 = VAN WHEEL BASE 4 15 = VAN WHEEL BASE 5 54 = WAGON WHEEL BASE 4 55 = WAGON WHEEL BASE 5 56 = WAGON WHEEL BASE 6 16 = VAN WHEEL BASE 6	EX8 = 2.7L I5 Turbo Diesel Engine EX9 = 2.7L I5 Mercedes-Benz TD Engine	DGJ = 5-Speed Automatic MB Transmission DGZ = 4-Spd. Automatic MT643 Transmission

AR = use ase required - = Non illustrated part

**Exhaust System
Figure 11-110**



ITEM	PART NUMBER	QTY	LINE	SERIES	BODY	ENGINE	TRANS	TRIM	DESCRIPTION
		1	2, 6	L	51, 52, 54, 55, 56	EX8	DGZ		
		1	3, 7	L	02, 06	EX8	DGZ		
		1	3, 7	L	12, 15, 16	EX8	DGZ		
9									INSULATOR, Exhaust
	05104109AA	4	2, 6	L	01, 02, 06	EX8	DGZ		
		4	2, 6	L	11, 12, 14, 15, 16	EX8	DGZ		
		4	2, 6	L	51, 52, 54, 55, 56	EX8	DGZ		
		1	3, 7	L	02, 06	EX8	DGZ		
		4	3, 7	L	12, 15, 16	EX8	DGZ		
10									CLAMP, Exhaust
	05127230AA	1	2, 6	L	01, 02, 06	EX8	DGZ		
		1	2, 6	L	11, 12, 14, 15, 16	EX8	DGZ		
		1	2, 6	L	51, 52, 54, 55, 56	EX8	DGZ		
		1	3, 7	L	02, 06	EX8	DGZ		
		1	3, 7	L	12, 15, 16	EX8	DGZ		
-11									BRACKET, Exhaust
	05119807AA	1	2, 6	L	01, 02, 06	EX8	DGZ		
		1	2, 6	L	11, 12, 14, 15, 16	EX8	DGZ		
		1	2, 6	L	51, 52, 54, 55, 56	EX8	DGZ		
	05119931AA	1	2, 6	L	01	EX8	DGZ		
		1	3, 7	L	12, 15, 16	EX8	DGZ		
	05119943AA	1	3, 7	L	02, 06	EX8	DGZ		
-12									SEAL, Exhaust
	05135684AA	1	2, 6	L	01, 02, 06	EX8	DGZ		

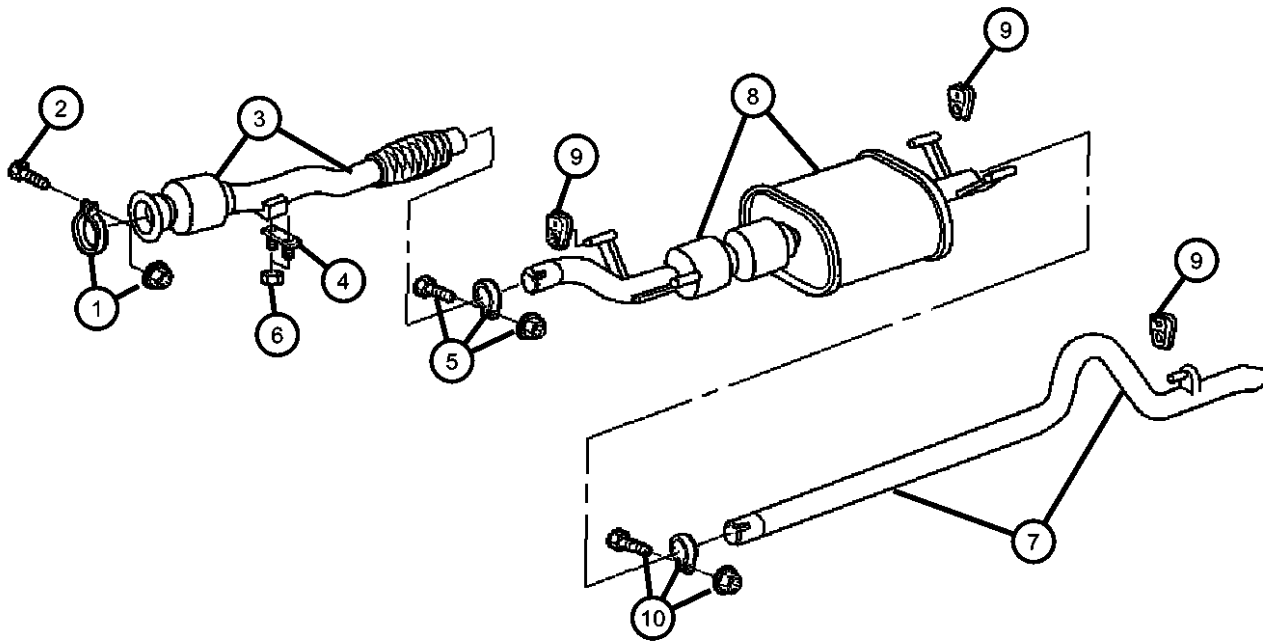
SPRINTER (VA)

SERIES	LINE	BODY	ENGINE	TRANSMISSION
L = LOWLINE	3 = HD DODGE 2WD 8 = HD DODGE 4WD 6 = Lt. Duty DODGE 4WD 2 = Med. Duty DODGE 2WD 7 = Med. Duty DODGE 4WD 4 = TRUCK	01 = CHASSIS FORWARD CONTROL W.B.1 02 = CAB CHASSIS WHEEL BASE 2 06 = CAB CHASSIS WHEEL BASE 6 11 = VAN WHEEL BASE 1 12 = VAN WHEEL BASE 2 51 = WAGON WHEEL BASE 1 52 = WAGON WHEEL BASE 2 14 = VAN WHEEL BASE 4 15 = VAN WHEEL BASE 5 54 = WAGON WHEEL BASE 4 55 = WAGON WHEEL BASE 5 56 = WAGON WHEEL BASE 6 16 = VAN WHEEL BASE 6	EX8 = 2.7L I5 Turbo Diesel Engine EX9 = 2.7L I5 Mercedes-Benz TD Engine	DGJ = 5-Speed Automatic MB Transmission DGZ = 4-Spd. Automatic MT643 Transmission

AR = use ase required - = Non illustrated part

**Exhaust System
Figure 11-110**

ITEM	PART NUMBER	QTY	LINE	SERIES	BODY	ENGINE	TRANS	TRIM	DESCRIPTION
		1	2, 6	L	11, 12, 14, 15, 16	EX8	DGZ		
		1	2, 6	L	51, 52, 54, 55, 56	EX8	DGZ		
		1	3, 7	L	02, 06	EX8	DGZ		
		1	3, 7	L	12, 15, 16	EX8	DGZ		



SPRINTER (VA)

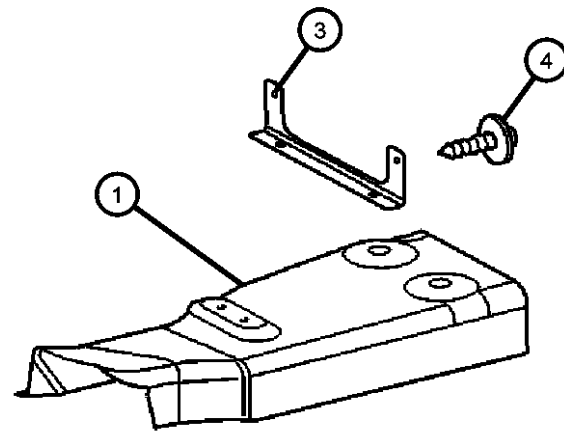
SERIES	LINE	BODY	ENGINE	TRANSMISSION
L = LOWLINE	3 = HD DODGE 2WD 8 = HD DODGE 4WD 6 = Lt. Duty DODGE 4WD 2 = Med. Duty DODGE 2WD 7 = Med. Duty DODGE 4WD 4 = TRUCK	01 = CHASSIS FORWARD CONTROL W.B.1 02 = CAB CHASSIS WHEEL BASE 2 06 = CAB CHASSIS WHEEL BASE 6 11 = VAN WHEEL BASE 1 12 = VAN WHEEL BASE 2 51 = WAGON WHEEL BASE 1 52 = WAGON WHEEL BASE 2 14 = VAN WHEEL BASE 4 15 = VAN WHEEL BASE 5 54 = WAGON WHEEL BASE 4 55 = WAGON WHEEL BASE 5 56 = WAGON WHEEL BASE 6 16 = VAN WHEEL BASE 6	EX8 = 2.7L I5 Turbo Diesel Engine EX9 = 2.7L I5 Mercedes-Benz TD Engine	DGJ = 5-Speed Automatic MB Transmission DGZ = 4-Spd. Automatic MT643 Transmission

AR = use ase required - = Non illustrated part

**Heat Shields Exhaust
Figure 11-210**

ITEM	PART NUMBER	QTY	LINE	SERIES	BODY	ENGINE	TRANS	TRIM	DESCRIPTION
------	-------------	-----	------	--------	------	--------	-------	------	-------------

Sales Codes:EX8=2.7L I5 MERCEDES-BENZ
DGJ=TRANSMISSION - 5-SPD AUTO



1									SHIELD, Heat
	05135681AA	1	2, 6	L	01, 02, 06	EX8	DGZ		
		1	2, 6	L	11, 12, 14, 15, 16	EX8	DGZ		
		1	2, 6	L	51, 52, 54, 55, 56	EX8	DGZ		
		1	3, 7	L	02, 06	EX8	DGZ		
		1	3, 7	L	12, 15, 16	EX8	DGZ		
-2									SCREW, Exhaust Bracket Mounting, Shield Mounting
	05125748AA	3	2, 6	L	01, 02, 06	EX8	DGZ		
		4	2, 6	L	11, 12, 14, 15, 16	EX8	DGZ		
		4	2, 6	L	51, 52, 54, 55, 56	EX8	DGZ		
		3	3, 7	L	02, 06	EX8	DGZ		
		4	3, 7	L	12, 15, 16	EX8	DGZ		
3									BRACKET, Exhaust
	05119848AA	1	2, 6	L	01, 02, 06	EX8	DGZ		
		1	2, 6	L	11, 12, 14, 15, 16	EX8	DGZ		
		1	2, 6	L	51, 52, 54, 55, 56	EX8	DGZ		
		1	3, 7	L	02, 06	EX8	DGZ		
		1	3, 7	L	12, 15, 16	EX8	DGZ		
4									SCREW, Exhaust Bracket Mounting
	05125748AA	4	2, 6	L	01, 02, 06	EX8	DGZ		
		4	2, 6	L	11, 12, 14, 15, 16	EX8	DGZ		
		4	2, 6	L	51, 52, 54, 55, 56	EX8	DGZ		

SPRINTER (VA)

SERIES	LINE	BODY	ENGINE	TRANSMISSION
L = LOWLINE	3 = HD DODGE 2WD 8 = HD DODGE 4WD 6 = Lt. Duty DODGE 4WD 2 = Med. Duty DODGE 2WD 7 = Med. Duty DODGE 4WD 4 = TRUCK	01 = CHASSIS FORWARD CONTROL W.B.1 02 = CAB CHASSIS WHEEL BASE 2 06 = CAB CHASSIS WHEEL BASE 6 11 = VAN WHEEL BASE 1 12 = VAN WHEEL BASE 2 51 = WAGON WHEEL BASE 1 52 = WAGON WHEEL BASE 2 14 = VAN WHEEL BASE 4 15 = VAN WHEEL BASE 5 54 = WAGON WHEEL BASE 4 55 = WAGON WHEEL BASE 5 56 = WAGON WHEEL BASE 6 16 = VAN WHEEL BASE 6	EX8 = 2.7L I5 Turbo Diesel Engine EX9 = 2.7L I5 Mercedes-Benz TD Engine	DGJ = 5-Speed Automatic MB Transmission DGZ = 4-Spd. Automatic MT643 Transmission

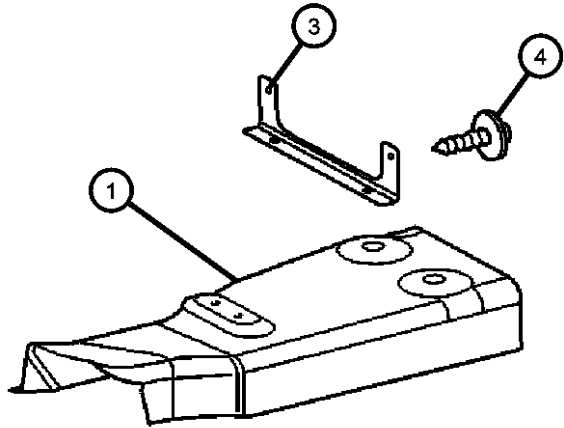
AR = use ase required - = Non illustrated part

2006 VA

Heat Shields Exhaust

Figure 11-210

ITEM	PART NUMBER	QTY	LINE	SERIES	BODY	ENGINE	TRANS	TRIM	DESCRIPTION
		3	3, 7	L	02, 06	EX8	DGZ		
		4	3, 7	L	12, 15, 16	EX8	DGZ		



SPRINTER (VA)

SERIES	LINE	BODY	ENGINE	TRANSMISSION
L = LOWLINE	3 = HD DODGE 2WD 8 = HD DODGE 4WD 6 = Lt. Duty DODGE 4WD 2 = Med. Duty DODGE 2WD 7 = Med. Duty DODGE 4WD 4 = TRUCK	01 = CHASSIS FORWARD CONTROL W.B.1 02 = CAB CHASSIS WHEEL BASE 2 06 = CAB CHASSIS WHEEL BASE 6 11 = VAN WHEEL BASE 1 12 = VAN WHEEL BASE 2 51 = WAGON WHEEL BASE 1 52 = WAGON WHEEL BASE 2 14 = VAN WHEEL BASE 4 15 = VAN WHEEL BASE 5 54 = WAGON WHEEL BASE 4 55 = WAGON WHEEL BASE 5 56 = WAGON WHEEL BASE 6 16 = VAN WHEEL BASE 6	EX8 = 2.7L I5 Turbo Diesel Engine EX9 = 2.7L I5 Mercedes-Benz TD Engine	DGJ = 5-Speed Automatic MB Transmission DGZ = 4-Spd. Automatic MT643 Transmission

AR = use ase required - = Non illustrated part

Group - 13

Frames and Bumpers

Group - 13 Frames and Bumpers

Illustration Title

Group-Fig. No.

Frames

Front Frame Rails	Fig. 13 - 105
Side Frame Rails and Crossmembers 2500	Fig. 13 - 110
Side Frame Rails and Crossmembers 3500	Fig. 13 - 120
Brackets, Frame To Body Supports.....	Fig. 13 - 130
Rear Crossmember & Bracket	Fig. 13 - 140

Front Bumper and Fascia

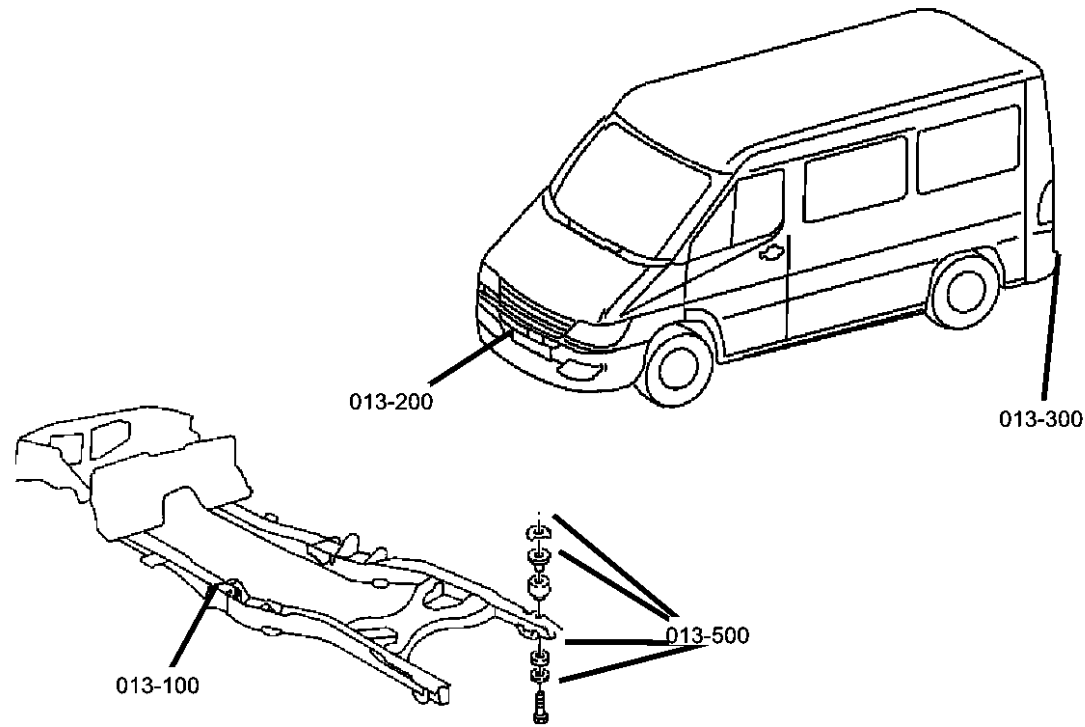
Bumper, Front	Fig. 13 - 230
---------------------	---------------

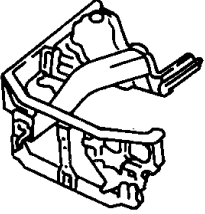
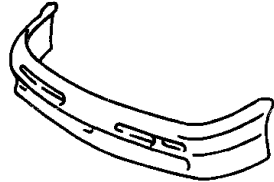

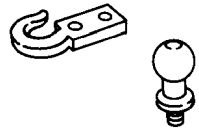
Rear Bumper and Fascia

Rear Bumper & Rear Back Up Sensors	Fig. 13 - 310
--	---------------

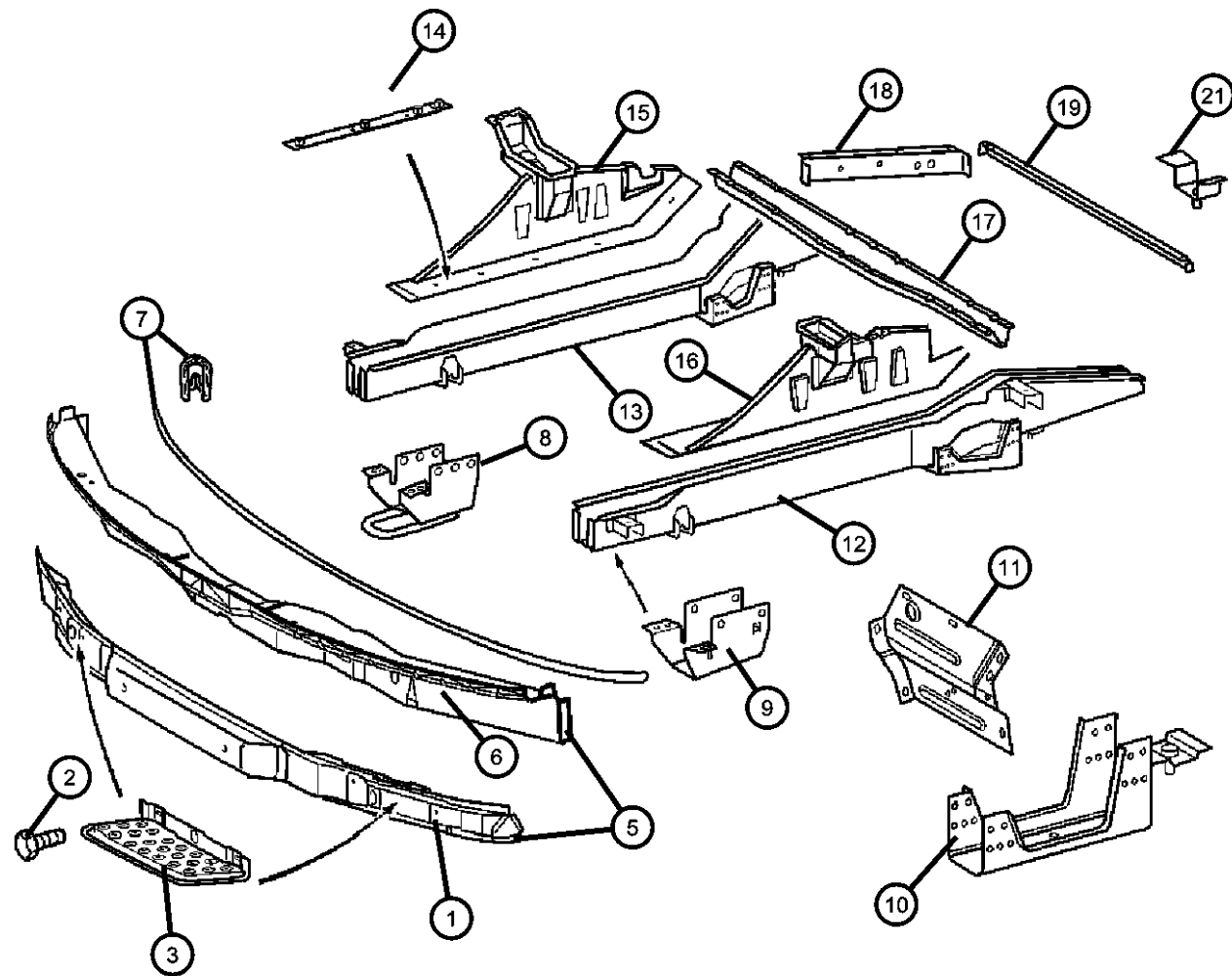
Trailer Tow

Rear Hitch	Fig. 13 - 610
Trailer Tow	Fig. 13 - 620



<p>013-100 Frames</p> 	<p>013-200 Front Bumper and Fascia</p> 	<p>013-300 Rear Bumper and Fascia</p> 	<p>013-600 Trailer Tow</p> 
--	---	---	---

Front Frame Rails
Figure 13-105



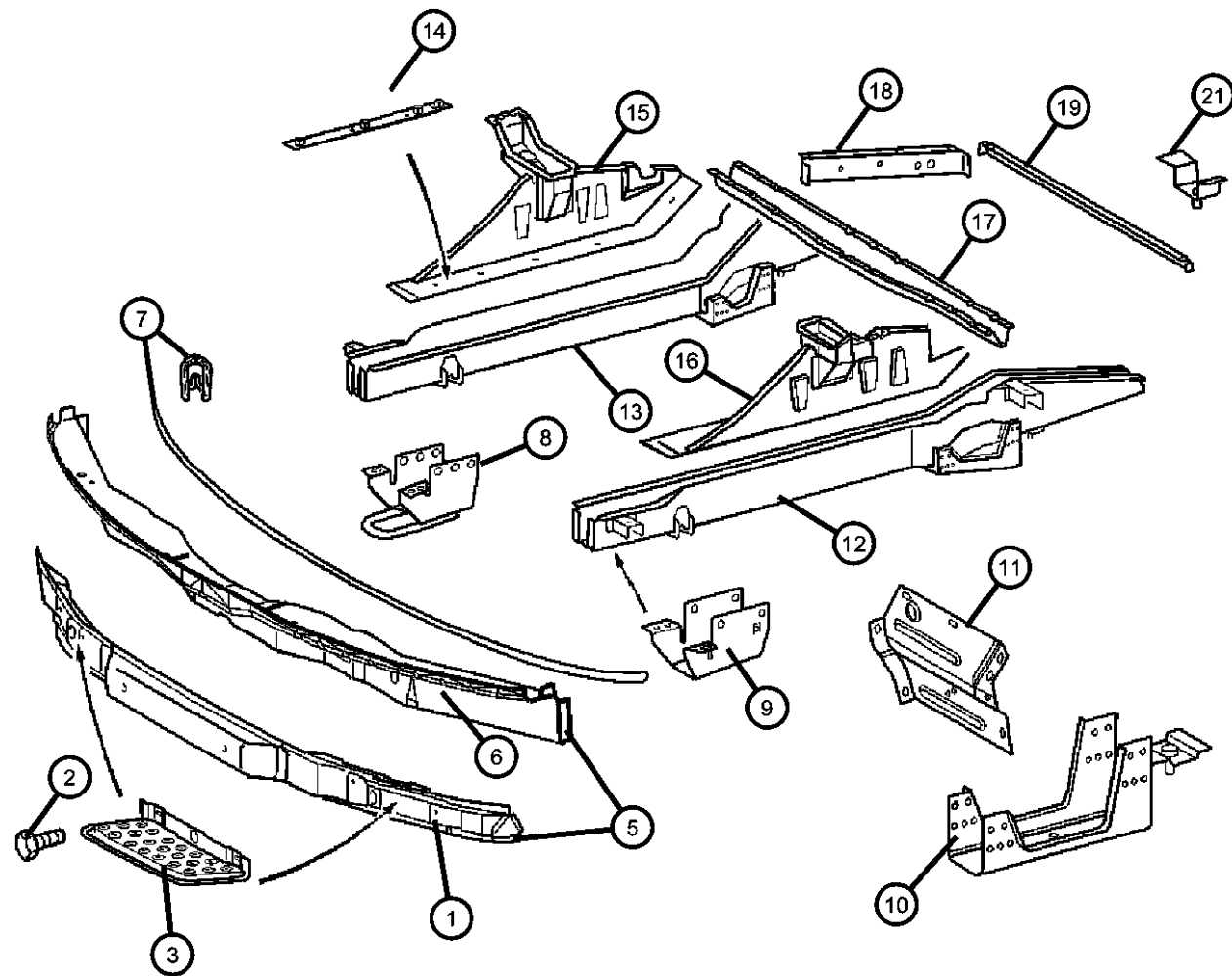
ITEM	PART NUMBER	QTY	LINE	SERIES	BODY	ENGINE	TRANS	TRIM	DESCRIPTION
1	05133848AA	1	2, 6	L	01, 02, 06				COVER, Crossmember
		1	2, 6	L	11, 12, 14, 15, 16				
		1	2, 6	L	51, 52, 54, 55, 56				
		1	3, 7	L	02, 06				
		1	3, 7	L	12, 15, 16				
2	05073723AB	2	2, 6	L	01, 02, 06				SCREW
		2	2, 6	L	11, 12, 14, 15, 16				
		2	2, 6	L	51, 52, 54, 55, 56				
		2	3, 7	L	02, 06				
		2	3, 7	L	12, 15, 16				
3	05104136AA	1	2, 6	L	01, 02, 06				STEP, Left Side
		1	2, 6	L	11, 12, 14, 15, 16				
		1	2, 6	L	51, 52, 54, 55, 56				
		1	3, 7	L	02, 06				
		1	3, 7	L	12, 15, 16				
-4	05104137AA	1	2, 6	L	01, 02, 06				STEP, Right Side
		1	2, 6	L	51, 52, 54, 55, 56				
		1	3, 7	L	02, 06				
		1	3, 7	L	12, 15, 16				
		1	2, 6	L	11, 12, 14, 15, 16				

SPRINTER (VA)

SERIES	LINE	BODY	ENGINE	TRANSMISSION
L = LOWLINE	3 = HD DODGE 2WD 8 = HD DODGE 4WD 6 = Lt. Duty DODGE 4WD 2 = Med. Duty DODGE 2WD 7 = Med. Duty DODGE 4WD 4 = TRUCK	01 = CHASSIS FORWARD CONTROL W.B.1 02 = CAB CHASSIS WHEEL BASE 2 06 = CAB CHASSIS WHEEL BASE 6 11 = VAN WHEEL BASE 1 12 = VAN WHEEL BASE 2 51 = WAGON WHEEL BASE 1 52 = WAGON WHEEL BASE 2 14 = VAN WHEEL BASE 4 15 = VAN WHEEL BASE 5 54 = WAGON WHEEL BASE 4 55 = WAGON WHEEL BASE 5 56 = WAGON WHEEL BASE 6 16 = VAN WHEEL BASE 6	EX8 = 2.7L I5 Turbo Diesel Engine EX9 = 2.7L I5 Mercedes-Benz TD Engine	DGJ = 5-Speed Automatic MB Transmission DGZ = 4-Spd. Automatic MT643 Transmission

AR = use ase required - = Non illustrated part

**Front Frame Rails
Figure 13-105**



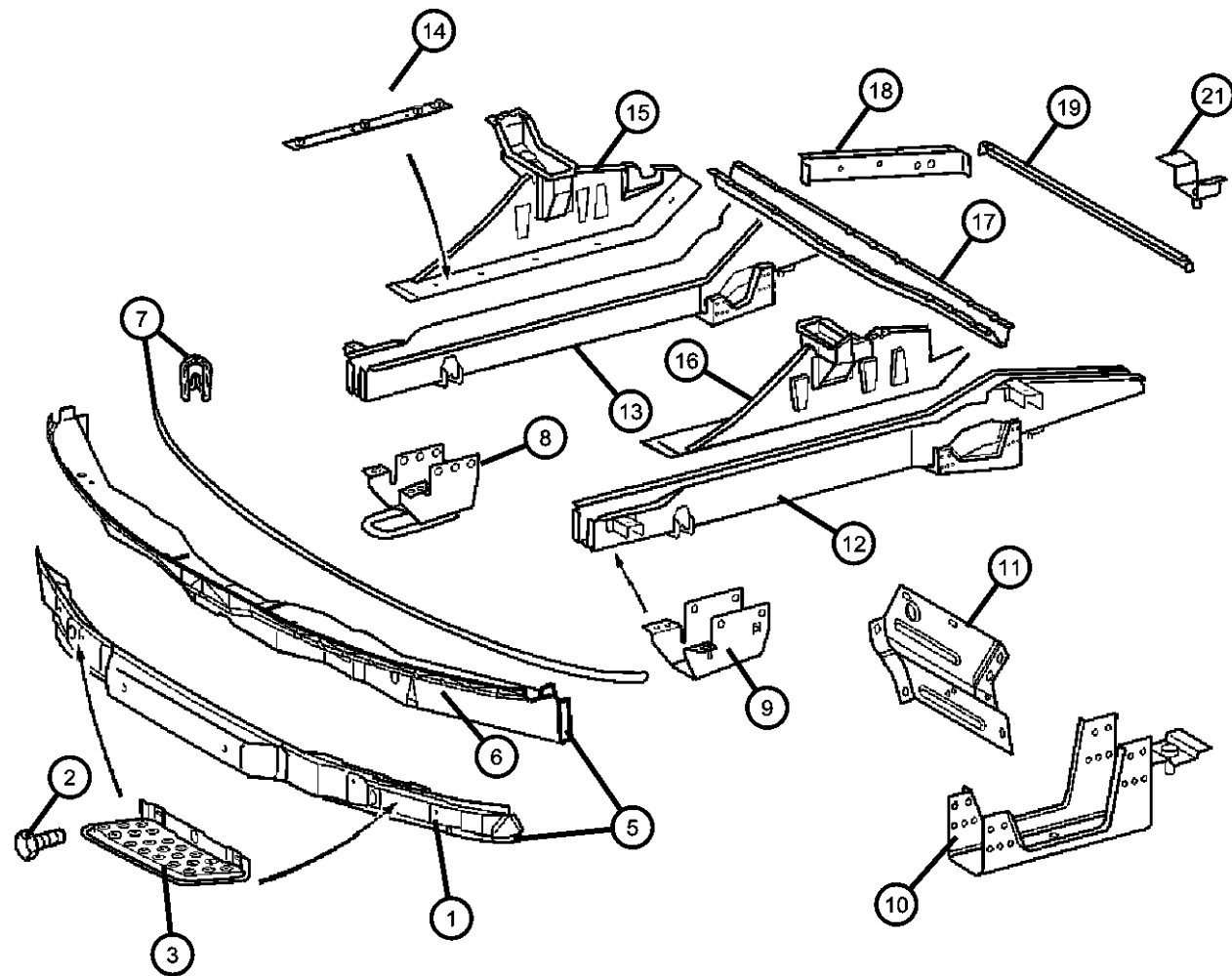
ITEM	PART NUMBER	QTY	LINE	SERIES	BODY	ENGINE	TRANS	TRIM	DESCRIPTION
5	05104054AA	1	2, 6	L	11, 12, 14, 15, 16				REINFORCEMENT, Front Bumper
		1	2, 6	L	51, 52, 54, 55, 56				
		1	3, 7	L	02, 06				
		1	3, 7	L	12, 15, 16				
		1	2, 6	L	01, 02, 06				
6	05104054AA	1	2, 6	L	01, 02, 06				REINFORCEMENT, Front Bumper
		1	2, 6	L	11, 12, 14, 15, 16				
		1	2, 6	L	51, 52, 54, 55, 56				
		1	3, 7	L	02, 06				
		1	3, 7	L	12, 15, 16				
7	05123544AA	1	2, 6	L	01, 02, 06				SEAL, Crossmember
		1	2, 6	L	11, 12, 14, 15, 16				
		1	2, 6	L	51, 52, 54, 55, 56				
		1	3, 7	L	12, 15, 16				
		1	3, 7	L	02, 06				
8	05104053AA	1	2, 6	L	01, 02, 06				HOOK, Tow
		1	2, 6	L	11, 12, 14, 15, 16				
		1	2, 6	L	51, 52, 54, 55, 56				
		1	3, 7	L	02, 06				
		1	3, 7	L	12, 15, 16				

SPRINTER (VA)

SERIES	LINE	BODY	ENGINE	TRANSMISSION
L = LOWLINE	3 = HD DODGE 2WD 8 = HD DODGE 4WD 6 = Lt. Duty DODGE 4WD 2 = Med. Duty DODGE 2WD 7 = Med. Duty DODGE 4WD 4 = TRUCK	01 = CHASSIS FORWARD CONTROL W.B.1 02 = CAB CHASSIS WHEEL BASE 2 06 = CAB CHASSIS WHEEL BASE 6 11 = VAN WHEEL BASE 1 12 = VAN WHEEL BASE 2 51 = WAGON WHEEL BASE 1 52 = WAGON WHEEL BASE 2 14 = VAN WHEEL BASE 4 15 = VAN WHEEL BASE 5 54 = WAGON WHEEL BASE 4 55 = WAGON WHEEL BASE 5 56 = WAGON WHEEL BASE 6 16 = VAN WHEEL BASE 6	EX8 = 2.7L I5 Turbo Diesel Engine EX9 = 2.7L I5 Mercedes-Benz TD Engine	DGJ = 5-Speed Automatic MB Transmission DGZ = 4-Spd. Automatic MT643 Transmission

AR = use ase required - = Non illustrated part

Front Frame Rails
Figure 13-105



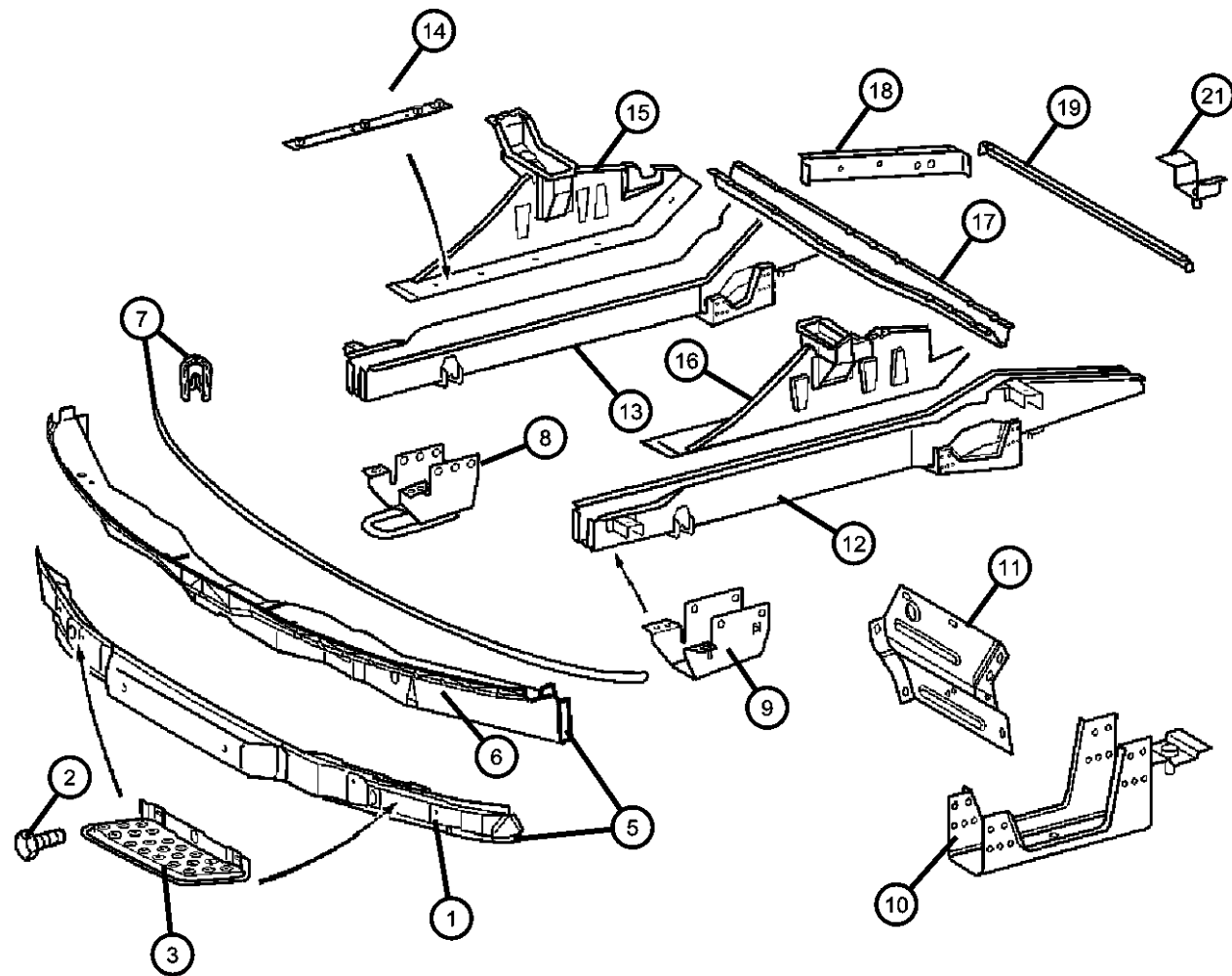
ITEM	PART NUMBER	QTY	LINE	SERIES	BODY	ENGINE	TRANS	TRIM	DESCRIPTION
9									BRACKET, Frame Rail
	05118517AA	1	2, 6	L	01, 02, 06				
		1	2, 6	L	11, 12, 14, 15, 16				
		1	2, 6	L	51, 52, 54, 55, 56				
		1	3, 7	L	02, 06				
		1	3, 7	L	12, 15, 16				
10									REINFORCEMENT, Front Side Rail
	05104033AA	1	2, 6	L	01, 02, 06				Right
		1	2, 6	L	51, 52, 54, 55, 56				Right
		1	3, 7	L	02, 06				Right
		1	3, 7	L	12, 15, 16				Right
	05117693AA	1	2, 6	L	01, 02, 06				Left
		1	2, 6	L	11, 12, 14, 15, 16				Left
		1	2, 6	L	51, 52, 54, 55, 56				Left
		1	3, 7	L	02, 06				Left
		1	3, 7	L	12, 15, 16				Left
		1	2, 6	L	11, 12, 14, 15, 16				Right
11									REINFORCEMENT, Front Side Rail
	05118588AA	1	2, 6	L	01, 02, 06				
		1	2, 6	L	11, 12, 14, 15, 16				
		1	2, 6	L	51, 52, 54, 55, 56				
		1	3, 7	L	02, 06				
		1	3, 7	L	12, 15, 16				

SPRINTER (VA)

SERIES	LINE	BODY	ENGINE	TRANSMISSION
L = LOWLINE	3 = HD DODGE 2WD 8 = HD DODGE 4WD 6 = Lt. Duty DODGE 4WD 2 = Med. Duty DODGE 2WD 7 = Med. Duty DODGE 4WD 4 = TRUCK	01 = CHASSIS FORWARD CONTROL W.B.1 02 = CAB CHASSIS WHEEL BASE 2 06 = CAB CHASSIS WHEEL BASE 6 11 = VAN WHEEL BASE 1 12 = VAN WHEEL BASE 2 51 = WAGON WHEEL BASE 1 52 = WAGON WHEEL BASE 2 14 = VAN WHEEL BASE 4 15 = VAN WHEEL BASE 5 54 = WAGON WHEEL BASE 4 55 = WAGON WHEEL BASE 5 56 = WAGON WHEEL BASE 6 16 = VAN WHEEL BASE 6	EX8 = 2.7L I5 Turbo Diesel Engine EX9 = 2.7L I5 Mercedes-Benz TD Engine	DGJ = 5-Speed Automatic MB Transmission DGZ = 4-Spd. Automatic MT643 Transmission

AR = use ase required - = Non illustrated part

Front Frame Rails
Figure 13-105



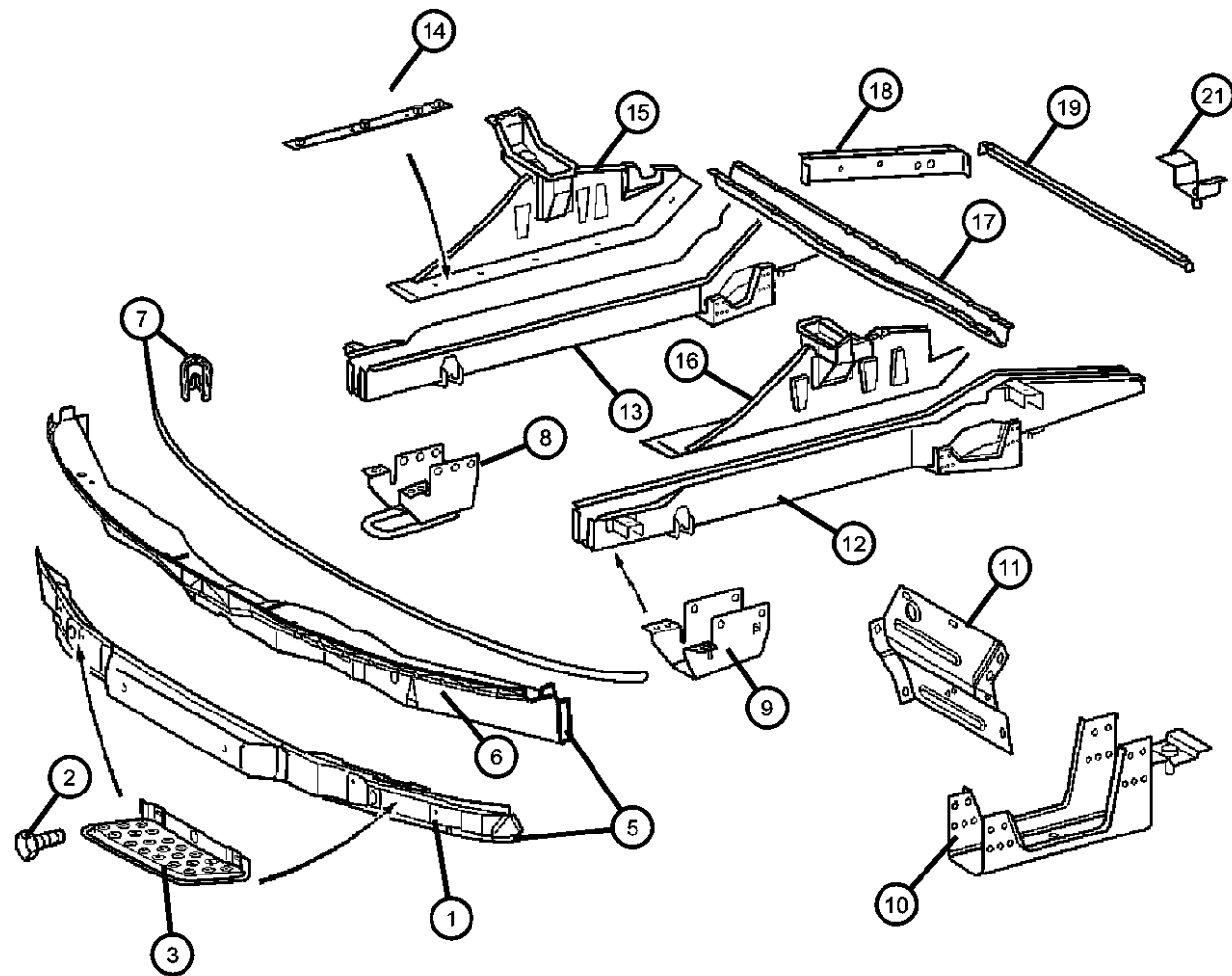
ITEM	PART NUMBER	QTY	LINE	SERIES	BODY	ENGINE	TRANS	TRIM	DESCRIPTION
12									RAIL, Frame Front
	05104055AA	1	2, 6	L	01, 02, 06				
		1	2, 6	L	11, 12, 14, 15, 16				
		1	2, 6	L	51, 52, 54, 55, 56				
		1	3, 7	L	02, 06				
		1	3, 7	L	12, 15, 16				
13									RAIL, Frame Front
	05104052AA	1	2, 6	L	01, 02, 06				
		1	2, 6	L	11, 12, 14, 15, 16				
		1	2, 6	L	51, 52, 54, 55, 56				
		1	3, 7	L	02, 06				
		1	3, 7	L	12, 15, 16				
14									REINFORCEMENT, Rail Front
	05118290AA	2	2, 6	L	01, 02, 06				
		2	2, 6	L	11, 12, 14, 15, 16				
		2	2, 6	L	51, 52, 54, 55, 56				
		2	3, 7	L	02, 06				
		2	3, 7	L	12, 15, 16				
15									SUPPORT, Under Body Hold Down
	05118252AA	1	2, 6	L	01, 02, 06				Right
		1	2, 6	L	11, 12, 14, 15, 16				Right
		1	3, 7	L	02, 06				Right
		1	3, 7	L	12, 15, 16				Right
		1	2, 6	L	51, 52, 54, 55, 56				Right

SPRINTER (VA)

SERIES	LINE	BODY	ENGINE	TRANSMISSION
L = LOWLINE	3 = HD DODGE 2WD 8 = HD DODGE 4WD 6 = Lt. Duty DODGE 4WD 2 = Med. Duty DODGE 2WD 7 = Med. Duty DODGE 4WD 4 = TRUCK	01 = CHASSIS FORWARD CONTROL W.B.1 02 = CAB CHASSIS WHEEL BASE 2 06 = CAB CHASSIS WHEEL BASE 6 11 = VAN WHEEL BASE 1 12 = VAN WHEEL BASE 2 51 = WAGON WHEEL BASE 1 52 = WAGON WHEEL BASE 2 14 = VAN WHEEL BASE 4 15 = VAN WHEEL BASE 5 54 = WAGON WHEEL BASE 4 55 = WAGON WHEEL BASE 5 56 = WAGON WHEEL BASE 6 16 = VAN WHEEL BASE 6	EX8 = 2.7L I5 Turbo Diesel Engine EX9 = 2.7L I5 Mercedes-Benz TD Engine	DGJ = 5-Speed Automatic MB Transmission DGZ = 4-Spd. Automatic MT643 Transmission

AR = use ase required - = Non illustrated part

Front Frame Rails
Figure 13-105



ITEM	PART NUMBER	QTY	LINE	SERIES	BODY	ENGINE	TRANS	TRIM	DESCRIPTION
16	05104049AA	1	2, 6	L	01, 02, 06				SUPPORT, Under Body Hold Down
		1	2, 6	L	11, 12, 14, 15, 16				Left
		1	2, 6	L	51, 52, 54, 55, 56				Left
		1	3, 7	L	02, 06				Left
		1	3, 7	L	12, 15, 16				Left
17	05118385AA	1	2, 6	L	01, 02, 06				CROSSMEMBER, Front Seat Retention
		1	2, 6	L	11, 12, 14, 15, 16				
		1	2, 6	L	51, 52, 54, 55, 56				
		1	3, 7	L	02, 06				
		1	3, 7	L	12, 15, 16				
18	05118015AA	2	2, 6	L	11, 12, 14, 15, 16				REINFORCEMENT, Wheelhouse
		2	2, 6	L	51, 52, 54, 55, 56				
		2	3, 7	L	02, 06				
		2	3, 7	L	12, 15, 16				
		2	2, 6	L	01, 02, 06				
19	05118091AA	1	2, 6	L	01, 02, 06				CROSSMEMBER, Front Floor
		1	2, 6	L	11, 12, 14, 15, 16				
		1	2, 6	L	51, 52, 54, 55, 56				
		1	3, 7	L	02, 06				

SPRINTER (VA)

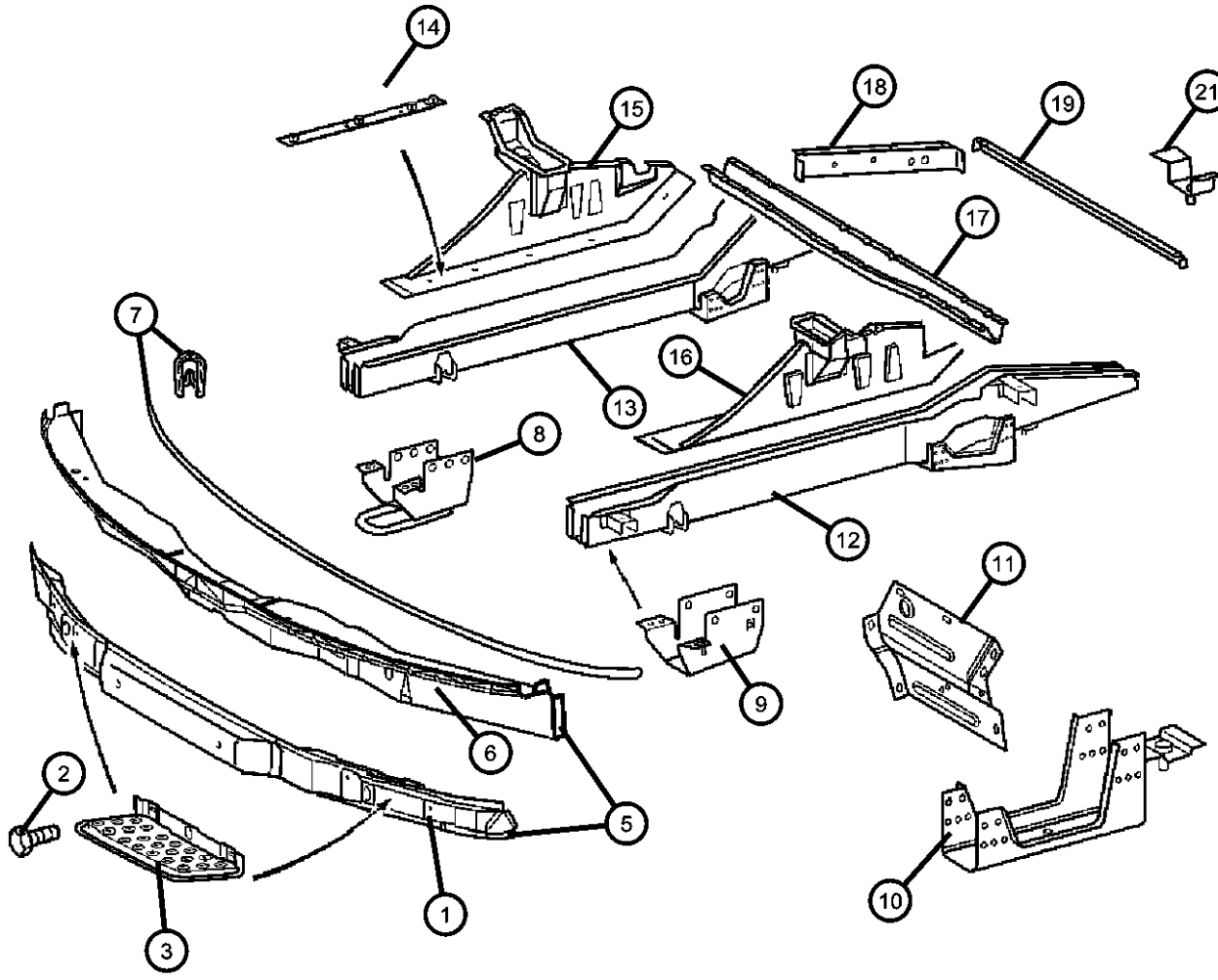
SERIES	LINE	BODY	ENGINE	TRANSMISSION
L = LOWLINE	3 = HD DODGE 2WD 8 = HD DODGE 4WD 6 = Lt. Duty DODGE 4WD 2 = Med. Duty DODGE 2WD 7 = Med. Duty DODGE 4WD 4 = TRUCK	01 = CHASSIS FORWARD CONTROL W.B.1 02 = CAB CHASSIS WHEEL BASE 2 06 = CAB CHASSIS WHEEL BASE 6 11 = VAN WHEEL BASE 1 12 = VAN WHEEL BASE 2 51 = WAGON WHEEL BASE 1 52 = WAGON WHEEL BASE 2 14 = VAN WHEEL BASE 4 15 = VAN WHEEL BASE 5 54 = WAGON WHEEL BASE 4 55 = WAGON WHEEL BASE 5 56 = WAGON WHEEL BASE 6 16 = VAN WHEEL BASE 6	EX8 = 2.7L I5 Turbo Diesel Engine EX9 = 2.7L I5 Mercedes-Benz TD Engine	DGJ = 5-Speed Automatic MB Transmission DGZ = 4-Spd. Automatic MT643 Transmission

AR = use ase required - = Non illustrated part

Front Frame Rails
Figure 13-105

ITEM	PART NUMBER	QTY	LINE	SERIES	BODY	ENGINE	TRANS	TRIM	DESCRIPTION
------	-------------	-----	------	--------	------	--------	-------	------	-------------

-20		1	3, 7	L	12, 15, 16				BRACKET, Aux A/C And Heater Line
	05127245AA	1	2, 6	L	11, 12, 14, 15, 16				
		1	2, 6	L	51, 52, 54, 55, 56				
21		1	3, 7	L	12, 15, 16				BRACKET
	05127241AA	1	2, 6	L	11, 12, 14, 15, 16				
		1	2, 6	L	51, 52, 54, 55, 56				
		1	3, 7	L	12, 15, 16				

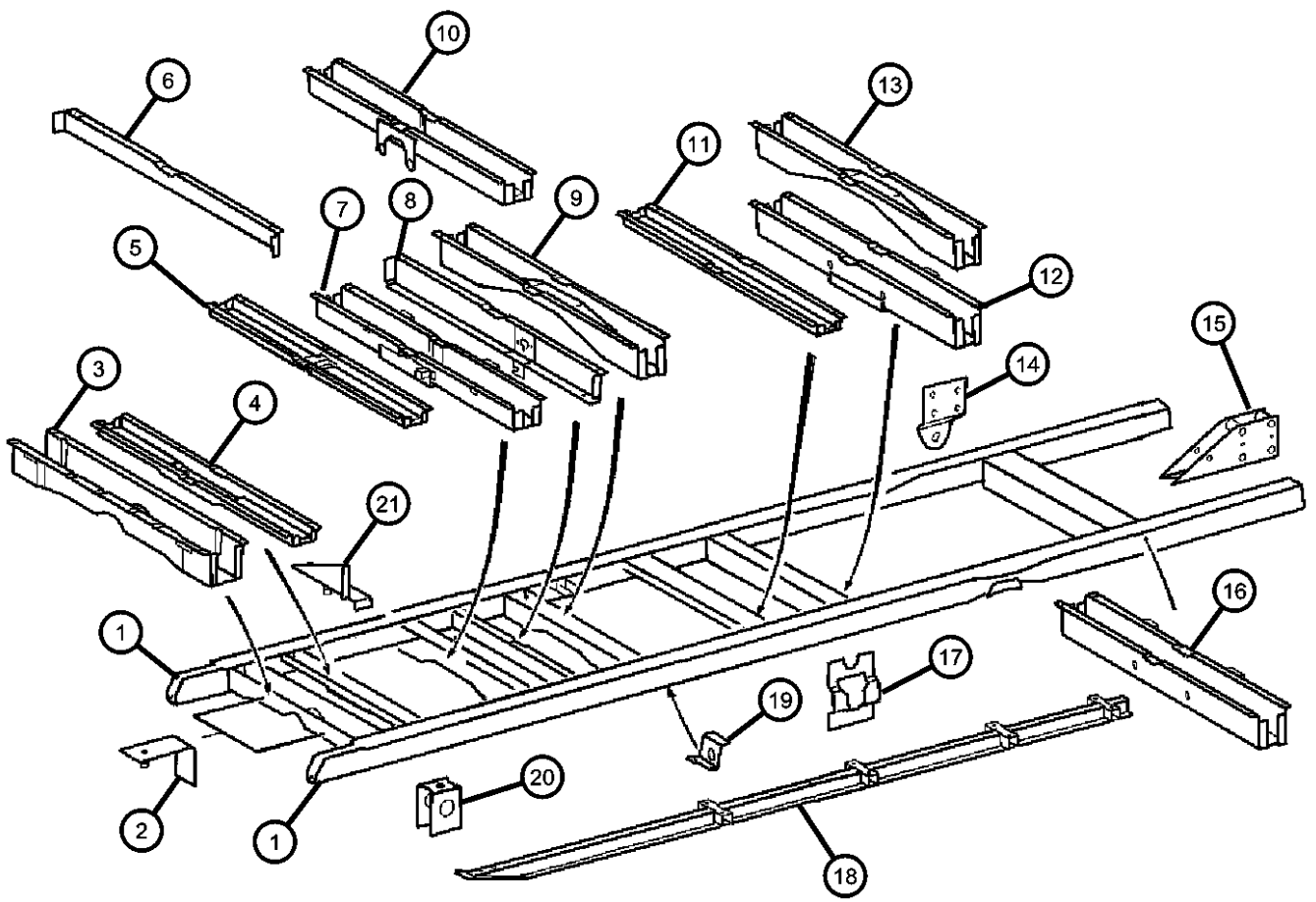


SPRINTER (VA)

SERIES	LINE	BODY	ENGINE	TRANSMISSION
L = LOWLINE	3 = HD DODGE 2WD 8 = HD DODGE 4WD 6 = Lt. Duty DODGE 4WD 2 = Med. Duty DODGE 2WD 7 = Med. Duty DODGE 4WD 4 = TRUCK	01 = CHASSIS FORWARD CONTROL W.B.1 02 = CAB CHASSIS WHEEL BASE 2 06 = CAB CHASSIS WHEEL BASE 6 11 = VAN WHEEL BASE 1 12 = VAN WHEEL BASE 2 51 = WAGON WHEEL BASE 1 52 = WAGON WHEEL BASE 2 14 = VAN WHEEL BASE 4 15 = VAN WHEEL BASE 5 54 = WAGON WHEEL BASE 4 55 = WAGON WHEEL BASE 5 56 = WAGON WHEEL BASE 6 16 = VAN WHEEL BASE 6	EX8 = 2.7L I5 Turbo Diesel Engine EX9 = 2.7L I5 Mercedes-Benz TD Engine	DGJ = 5-Speed Automatic MB Transmission DGZ = 4-Spd. Automatic MT643 Transmission

AR = use ase required - = Non illustrated part

Side Frame Rails and Crossmembers 2500
Figure 13-110



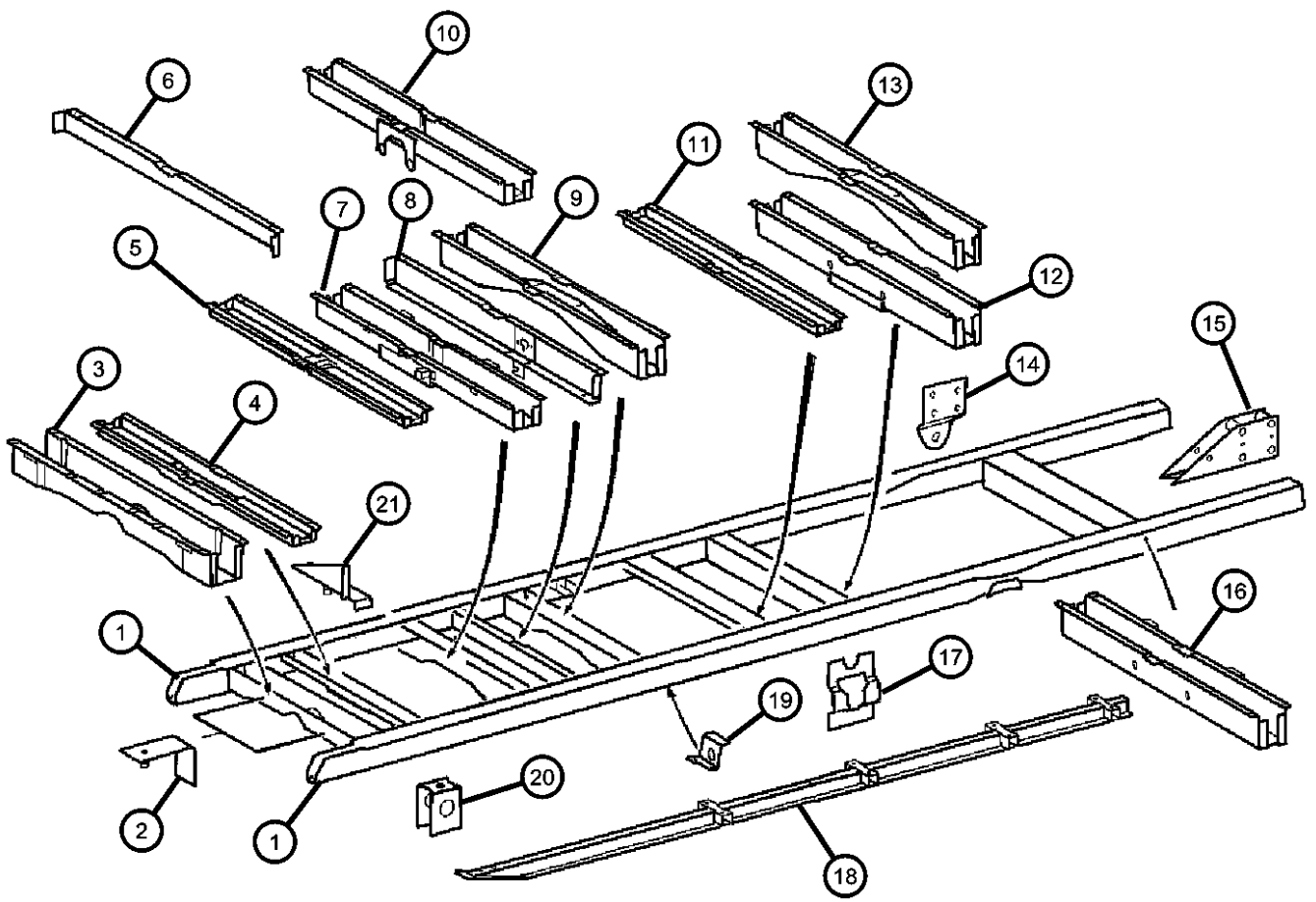
ITEM	PART NUMBER	QTY	LINE	SERIES	BODY	ENGINE	TRANS	TRIM	DESCRIPTION
1									RAIL, Frame Side
	05104554AA	1	2, 6	L	16				Right
		1	2, 6	L	56				Right
	05104555AA	1	2, 6	L	16				Left
		1	2, 6	L	56				Left
	05118059AA	1	3, 7	L	02				Right
	05118063AA	1	3, 7	L	06				Right
		1	3, 7	L	16				Right
	05118078AA	1	3, 7	L	02				Left
	05118082AA	1	3, 7	L	06				Left
		1	3, 7	L	16				Left
2									BRACKET, Frame
	05127243AA	1	2, 6	L	11, 12, 14, 15, 16				
		1	2, 6	L	51, 52, 54, 55, 56				
		1	3, 7	L	12, 15, 16				
3									CROSSMEMBER, Front Frame
	05118162AA	1	2, 6	L	01, 02, 06				
		1	2, 6	L	11, 12, 14, 15, 16				
		1	2, 6	L	51, 52, 54, 55, 56				
4									CROSSMEMBER, Front Frame
	05118152AA	1	2, 6	L	01, 06				
		1	2, 6	L	11, 14				
		1	3, 7	L	06				
		1	3, 7	L	12, 15, 16				
		1	2, 6	L	51, 54				
5									CROSSMEMBER, Front Frame

SPRINTER (VA)

SERIES	LINE	BODY	ENGINE	TRANSMISSION
L = LOWLINE	3 = HD DODGE 2WD 8 = HD DODGE 4WD 6 = Lt. Duty DODGE 4WD 2 = Med. Duty DODGE 2WD 7 = Med. Duty DODGE 4WD 4 = TRUCK	01 = CHASSIS FORWARD CONTROL W.B.1 02 = CAB CHASSIS WHEEL BASE 2 06 = CAB CHASSIS WHEEL BASE 6 11 = VAN WHEEL BASE 1 12 = VAN WHEEL BASE 2 51 = WAGON WHEEL BASE 1 52 = WAGON WHEEL BASE 2 14 = VAN WHEEL BASE 4 15 = VAN WHEEL BASE 5 54 = WAGON WHEEL BASE 4 55 = WAGON WHEEL BASE 5 56 = WAGON WHEEL BASE 6 16 = VAN WHEEL BASE 6	EX8 = 2.7L I5 Turbo Diesel Engine EX9 = 2.7L I5 Mercedes-Benz TD Engine	DGJ = 5-Speed Automatic MB Transmission DGZ = 4-Spd. Automatic MT643 Transmission

AR = use ase required - = Non illustrated part

Side Frame Rails and Crossmembers 2500
Figure 13-110



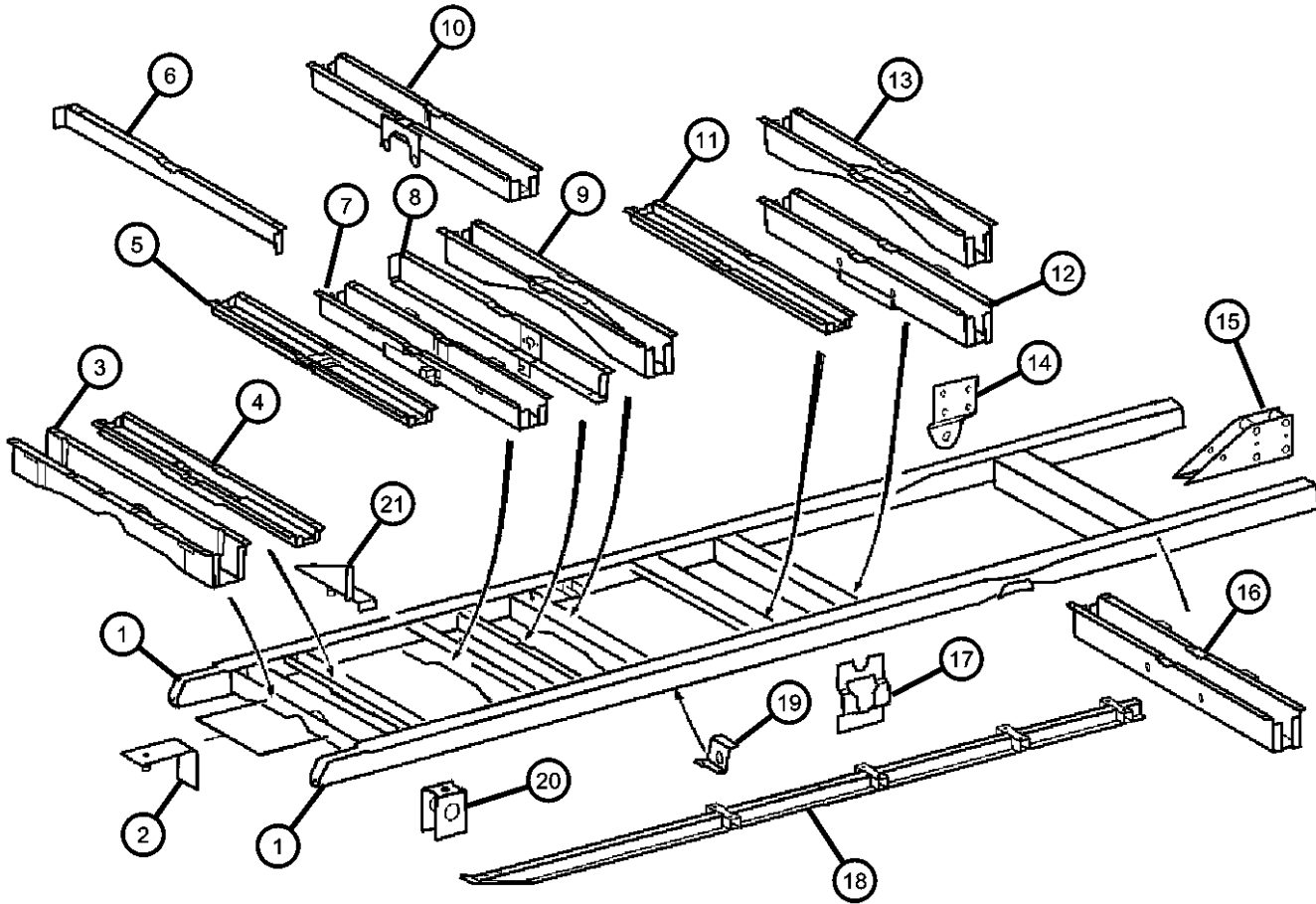
ITEM	PART NUMBER	QTY	LINE	SERIES	BODY	ENGINE	TRANS	TRIM	DESCRIPTION
	05118142AA	1	2, 6	L	11, 12, 14, 15				
		1	2, 6	L	51, 52, 54, 55, 56				
		1	3, 7	L	12, 15, 16				
6		1							CROSSMEMBER, Front Frame, (NOT SERVICED)
7									CROSSMEMBER, Front Frame
	05118097AA	1	2, 6	L	11, 12, 14, 15				
		1	2, 6	L	51, 52, 54, 55				
		1	3, 7	L	12, 15				
8									CROSSMEMBER, Front Frame
	05118136AA	1	2, 6	L	01, 02				
		1	2, 6	L	11, 12, 14, 15, 16				
		1	2, 6	L	51, 52, 54, 55, 56				
		1	3, 7	L	02				
		1	3, 7	L	12, 15				
9									CROSSMEMBER, Front Frame
	05118149AA	1	2, 6	L	11, 12, 14, 15				
		1	2, 6	L	51, 54				
10									CROSSMEMBER, Front Frame
	05118160AA	1	2, 6	L	11, 12, 14, 15, 16				
		1	2, 6	L	51, 52, 54, 55, 56				
11									CROSSMEMBER, Front Frame
	05118144AA	1	2, 6	L	11, 14				
		1	2, 6	L	51, 54				

SPRINTER (VA)

SERIES	LINE	BODY	ENGINE	TRANSMISSION
L = LOWLINE	3 = HD DODGE 2WD 8 = HD DODGE 4WD 6 = Lt. Duty DODGE 4WD 2 = Med. Duty DODGE 2WD 7 = Med. Duty DODGE 4WD 4 = TRUCK	01 = CHASSIS FORWARD CONTROL W.B.1 02 = CAB CHASSIS WHEEL BASE 2 06 = CAB CHASSIS WHEEL BASE 6 11 = VAN WHEEL BASE 1 12 = VAN WHEEL BASE 2 51 = WAGON WHEEL BASE 1 52 = WAGON WHEEL BASE 2 14 = VAN WHEEL BASE 4 15 = VAN WHEEL BASE 5 54 = WAGON WHEEL BASE 4 55 = WAGON WHEEL BASE 5 56 = WAGON WHEEL BASE 6 16 = VAN WHEEL BASE 6	EX8 = 2.7L I5 Turbo Diesel Engine EX9 = 2.7L I5 Mercedes-Benz TD Engine	DGJ = 5-Speed Automatic MB Transmission DGZ = 4-Spd. Automatic MT643 Transmission

AR = use ase required - = Non illustrated part

Side Frame Rails and Crossmembers 2500
Figure 13-110



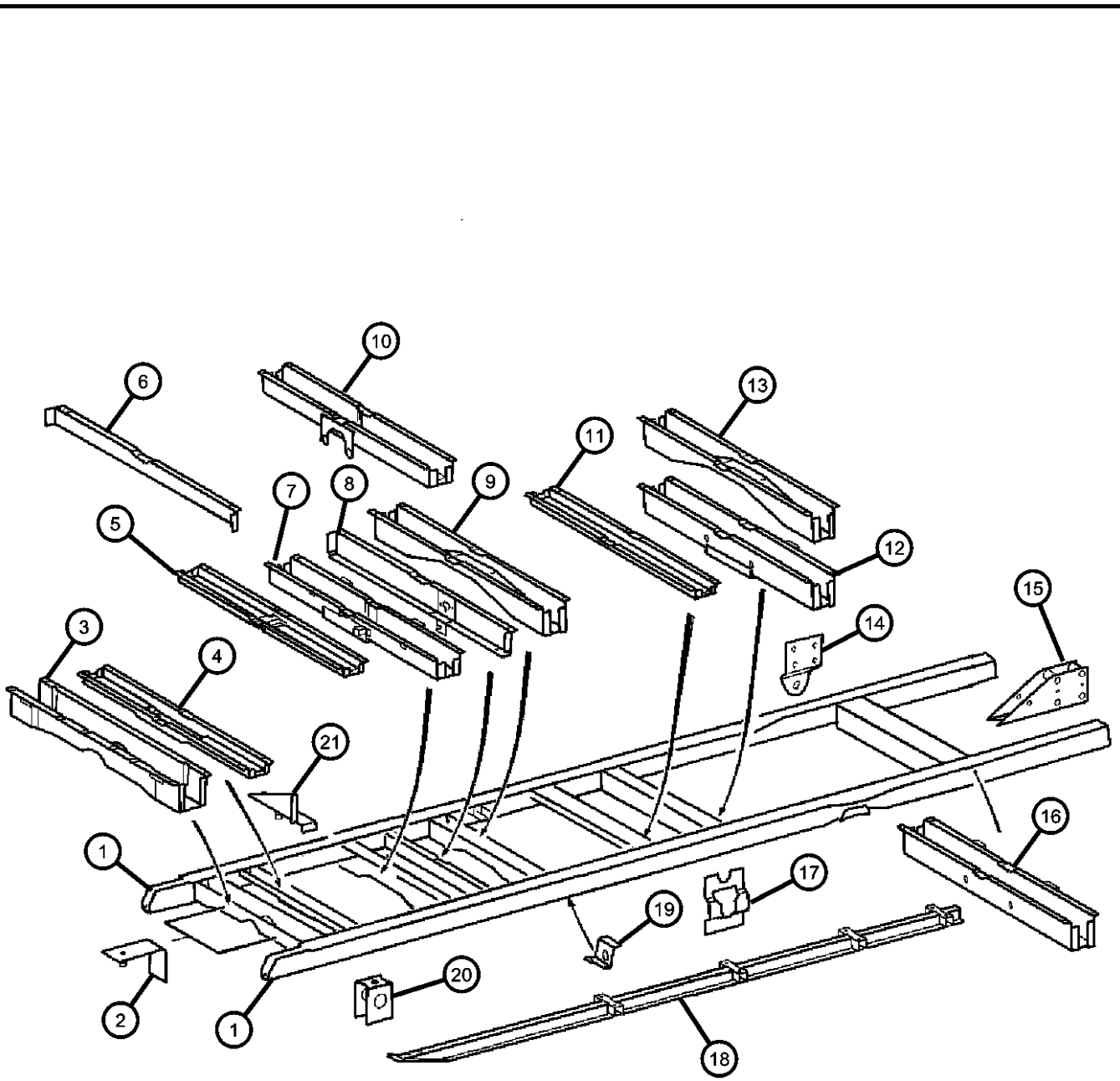
ITEM	PART NUMBER	QTY	LINE	SERIES	BODY	ENGINE	TRANS	TRIM	DESCRIPTION
12		1	3, 7	L	12, 15, 16				CROSSMEMBER, Front Frame
	05118168AA	1	2, 6	L	11, 12, 14, 15, 16				
		1	2, 6	L	51, 52, 54, 55, 56				
		1	3, 7	L	12, 15, 16				
13		1	2, 6	L	11, 12, 14, 15, 16				CROSSMEMBER, Front Frame
	05118170AA	1	2, 6	L	51, 52, 54, 55, 56				
14		2	2, 6	L	01, 02, 06				BRACKET, Frame
	05118791AA	2	2, 6	L	11, 12, 14, 15, 16				
		4	3, 7	L	02, 06				
		4	3, 7	L	12, 15, 16				
		2	2, 6	L	51, 52, 54, 55, 56				
15		2	2, 6	L	11, 12, 14, 15, 16				BRACKET, Frame
	05118212AA	2	2, 6	L	51, 52, 54, 55, 56				
16		1	2, 6	L	11, 12, 14, 15, 16				CROSSMEMBER, Front Frame
	05118154AA	1	2, 6	L	51, 52, 54, 55, 56				
17		2	3, 7	L	02, 06				BRACKET, Frame
	05119638AA	2	3, 7	L	02, 06				
18		1	2, 6	L	12, 15				BRACKET, Frame Rail
	05118220AA	1	2, 6	L	12, 15				

SPRINTER (VA)

SERIES	LINE	BODY	ENGINE	TRANSMISSION
L = LOWLINE	3 = HD DODGE 2WD 8 = HD DODGE 4WD 6 = Lt. Duty DODGE 4WD 2 = Med. Duty DODGE 2WD 7 = Med. Duty DODGE 4WD 4 = TRUCK	01 = CHASSIS FORWARD CONTROL W.B.1 02 = CAB CHASSIS WHEEL BASE 2 06 = CAB CHASSIS WHEEL BASE 6 11 = VAN WHEEL BASE 1 12 = VAN WHEEL BASE 2 51 = WAGON WHEEL BASE 1 52 = WAGON WHEEL BASE 2 14 = VAN WHEEL BASE 4 15 = VAN WHEEL BASE 5 54 = WAGON WHEEL BASE 4 55 = WAGON WHEEL BASE 5 56 = WAGON WHEEL BASE 6 16 = VAN WHEEL BASE 6	EX8 = 2.7L I5 Turbo Diesel Engine EX9 = 2.7L I5 Mercedes-Benz TD Engine	DGJ = 5-Speed Automatic MB Transmission DGZ = 4-Spd. Automatic MT643 Transmission

AR = use ase required - = Non illustrated part

Side Frame Rails and Crossmembers 2500
Figure 13-110



ITEM	PART NUMBER	QTY	LINE	SERIES	BODY	ENGINE	TRANS	TRIM	DESCRIPTION
		1	2, 6	L	52, 55				
		1	3, 7	L	12, 15, 16				
		1	2, 6	L	11, 12, 14, 15				
19									BRACKET, Frame
	05119321AA	1	2, 6	L	01, 02, 06				
		1	2, 6	L	11, 12, 14, 15, 16				
		1	2, 6	L	51, 52, 54, 55, 56				
20									SUPPORT, Under Body Hold Down
	05118266AA	4	2, 6	L	11, 12, 14, 15, 16				
		8	2, 6	L	12, 15				
		4	2, 6	L	11, 14				
		4	2, 6	L	51, 52, 54, 55, 56				
		4	2, 6	L	51, 54				
		8	2, 6	L	52, 55				
21									BRACKET, Frame
	05127246AA	2	2, 6	L	11, 12, 14, 15, 16				
		2	2, 6	L	51, 52, 54, 55, 56				
		2	3, 7	L	12, 15, 16				

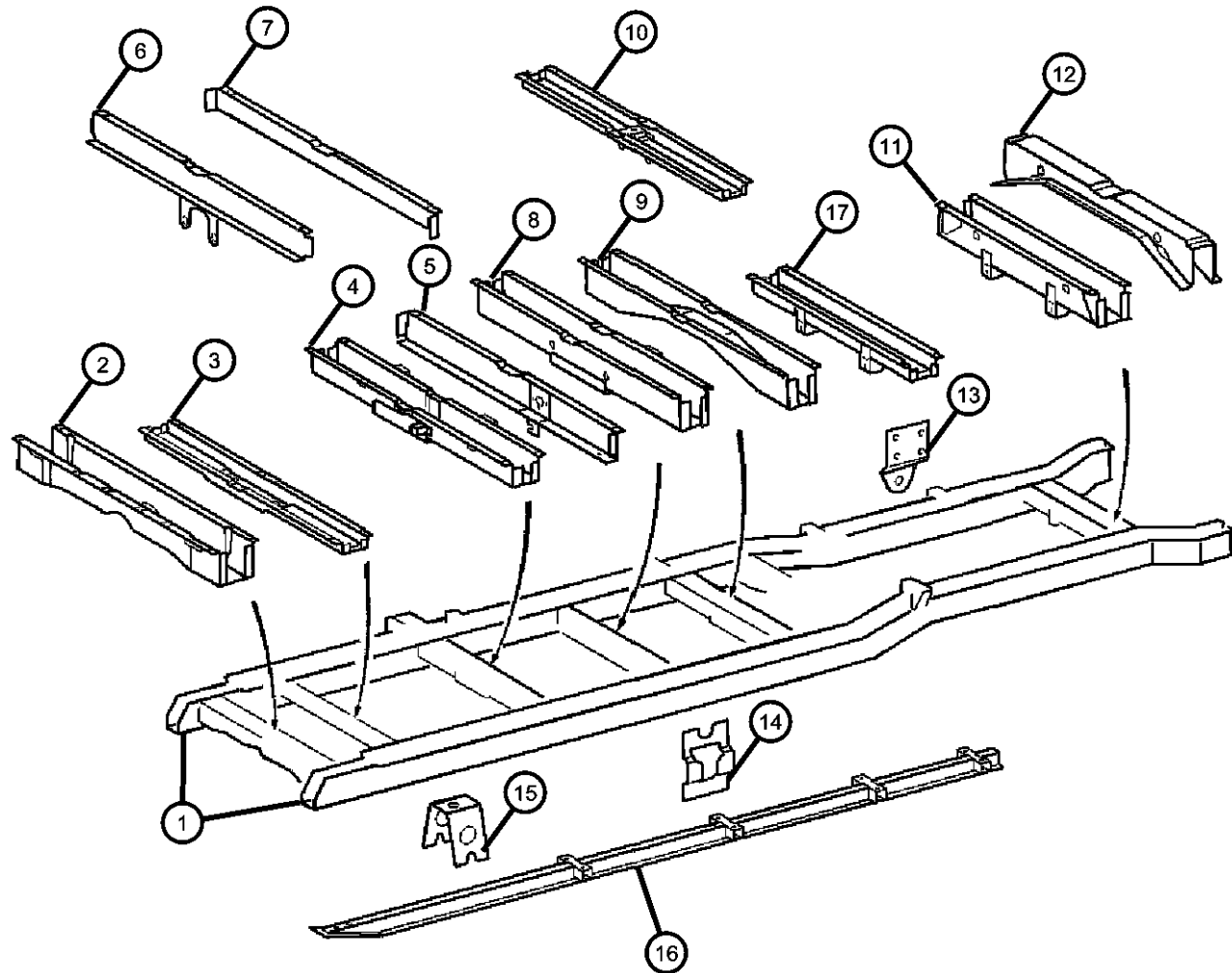
SPRINTER (VA)

SERIES	LINE	BODY	ENGINE	TRANSMISSION
L = LOWLINE	3 = HD DODGE 2WD 8 = HD DODGE 4WD 6 = Lt. Duty DODGE 4WD 2 = Med. Duty DODGE 2WD 7 = Med. Duty DODGE 4WD 4 = TRUCK	01 = CHASSIS FORWARD CONTROL W.B.1 02 = CAB CHASSIS WHEEL BASE 2 06 = CAB CHASSIS WHEEL BASE 6 11 = VAN WHEEL BASE 1 12 = VAN WHEEL BASE 2 51 = WAGON WHEEL BASE 1 52 = WAGON WHEEL BASE 2 14 = VAN WHEEL BASE 4 15 = VAN WHEEL BASE 5 54 = WAGON WHEEL BASE 4 55 = WAGON WHEEL BASE 5 56 = WAGON WHEEL BASE 6 16 = VAN WHEEL BASE 6	EX8 = 2.7L I5 Turbo Diesel Engine EX9 = 2.7L I5 Mercedes-Benz TD Engine	DGJ = 5-Speed Automatic MB Transmission DGZ = 4-Spd. Automatic MT643 Transmission

AR = use ase required - = Non illustrated part

Side Frame Rails and Crossmembers 3500
Figure 13-120

ITEM	PART NUMBER	QTY	LINE	SERIES	BODY	ENGINE	TRANS	TRIM	DESCRIPTION
1	05118082AA	1	3, 7	L	06				RAIL, Frame Side, 05118063aa Lt.
		1	3, 7	L	16				
2	05118178AA	1	3, 7	L	02, 06				CROSSMEMBER, Front Frame
		1	3, 7	L	12, 15, 16				
3	05118097AA	1	2, 6	L	11, 12, 14, 15				CROSSMEMBER, Front Frame
		1	2, 6	L	51, 52, 54, 55				
		1	3, 7	L	12, 15				
4	05118097AA	1	2, 6	L	51, 52, 54, 55				CROSSMEMBER, Front Frame
		1	3, 7	L	12, 15				
		1	2, 6	L	11, 12, 14, 15				
5	05118136AA	1	2, 6	L	01, 02				CROSSMEMBER, Front Frame
		1	2, 6	L	11, 12, 14, 15				
		1	2, 6	L	11, 12, 14, 15, 16				
		1	2, 6	L	51, 52, 54, 55, 56				
		1	3, 7	L	02				
		1	3, 7	L	12, 15				
6	05118182AA	1	3, 7	L	02, 06				CROSSMEMBER, Rear Frame
		1	3, 7	L	12, 15, 16				



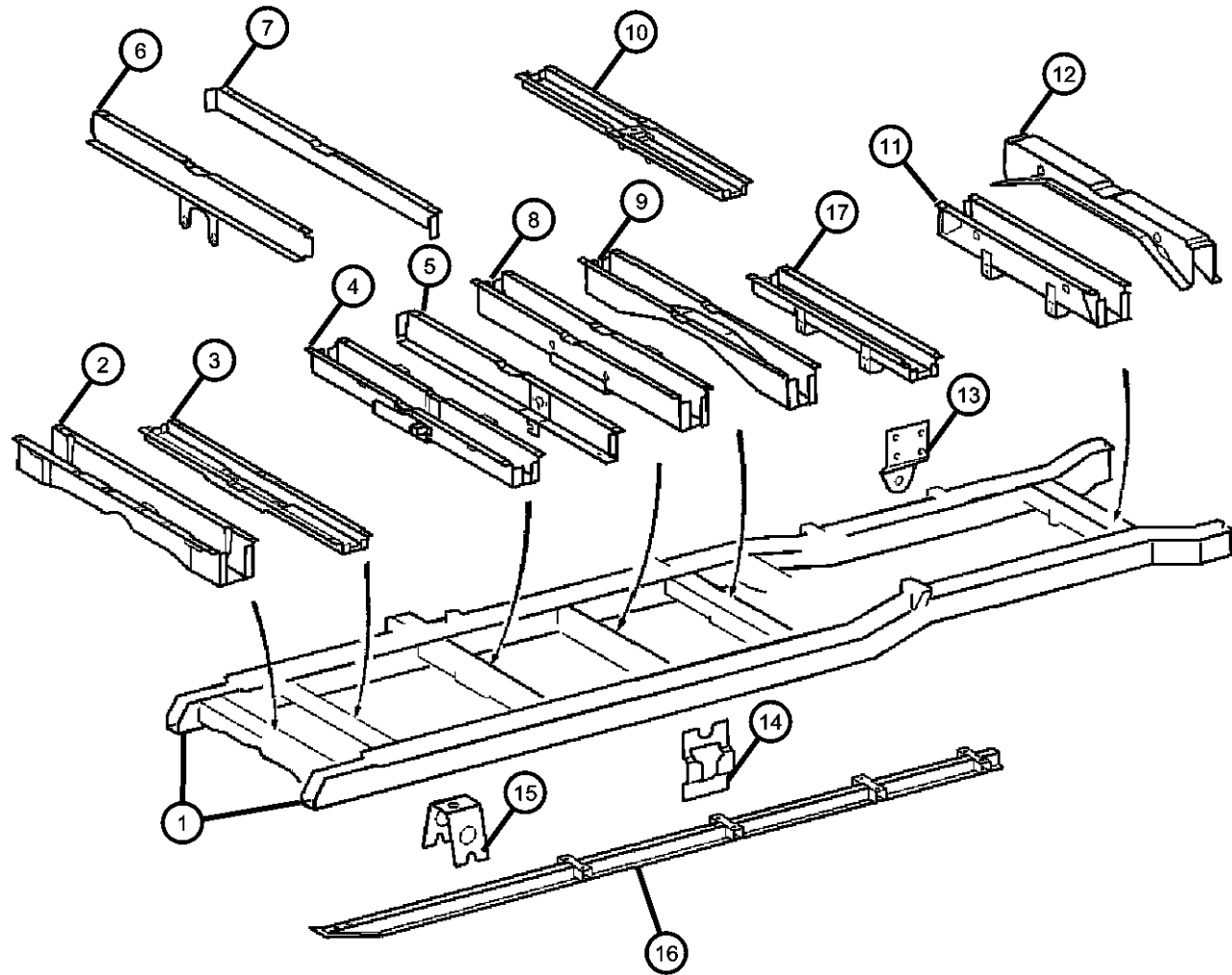
SPRINTER (VA)

SERIES	LINE	BODY	ENGINE	TRANSMISSION
L = LOWLINE	3 = HD DODGE 2WD 8 = HD DODGE 4WD 6 = Lt. Duty DODGE 4WD 2 = Med. Duty DODGE 2WD 7 = Med. Duty DODGE 4WD 4 = TRUCK	01 = CHASSIS FORWARD CONTROL W.B.1 02 = CAB CHASSIS WHEEL BASE 2 06 = CAB CHASSIS WHEEL BASE 6 11 = VAN WHEEL BASE 1 12 = VAN WHEEL BASE 2 51 = WAGON WHEEL BASE 1 52 = WAGON WHEEL BASE 2 14 = VAN WHEEL BASE 4 15 = VAN WHEEL BASE 5 54 = WAGON WHEEL BASE 4 55 = WAGON WHEEL BASE 5 56 = WAGON WHEEL BASE 6 16 = VAN WHEEL BASE 6	EX8 = 2.7L I5 Turbo Diesel Engine EX9 = 2.7L I5 Mercedes-Benz TD Engine	DGJ = 5-Speed Automatic MB Transmission DGZ = 4-Spd. Automatic MT643 Transmission

AR = use ase required - = Non illustrated part

Side Frame Rails and Crossmembers 3500
Figure 13-120

ITEM	PART NUMBER	QTY	LINE	SERIES	BODY	ENGINE	TRANS	TRIM	DESCRIPTION
7		1							CROSSMEMBER, Front Frame, (NOT SERVICED)
8	05118149AA	1	2, 6	L	11, 12, 14, 15				CROSSMEMBER, Front Frame
9	05118170AA	1	2, 6	L	51, 54				CROSSMEMBER, Front Frame
10	05118142AA	1	2, 6	L	11, 12, 14, 15, 16				CROSSMEMBER, Front Frame
11	05118182AA	1	3, 7	L	51, 52, 54, 55, 56				CROSSMEMBER, Rear Frame
12	05118174AA	1	3, 7	L	11, 12, 14, 15				CROSSMEMBER, Shock Mount
13	05118791AA	2	2, 6	L	12, 15, 16				BRACKET, Frame
14		4	3, 7	L	02, 06				BRACKET, Frame

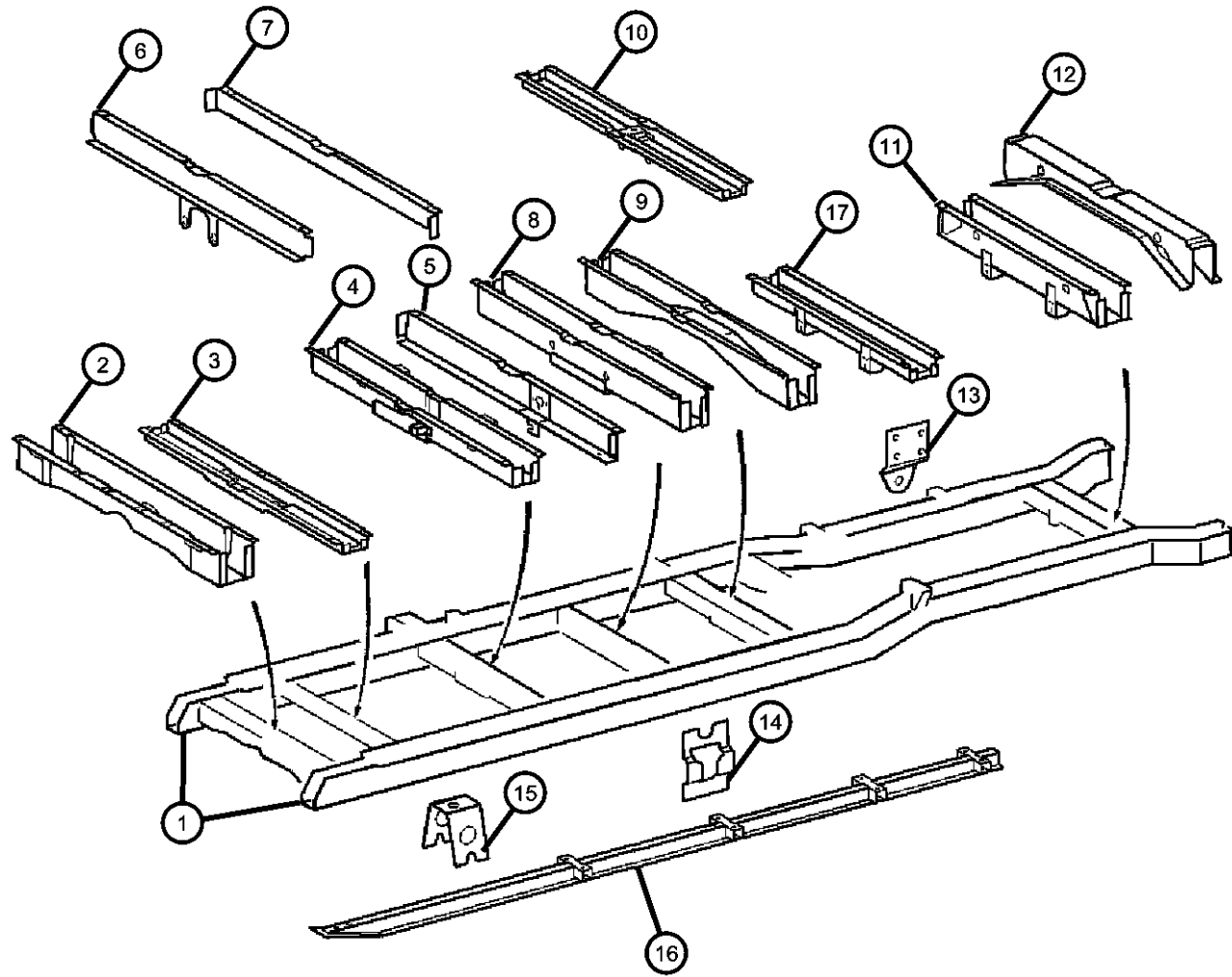


SPRINTER (VA)

SERIES	LINE	BODY	ENGINE	TRANSMISSION
L = LOWLINE	3 = HD DODGE 2WD 8 = HD DODGE 4WD 6 = Lt. Duty DODGE 4WD 2 = Med. Duty DODGE 2WD 7 = Med. Duty DODGE 4WD 4 = TRUCK	01 = CHASSIS FORWARD CONTROL W.B.1 02 = CAB CHASSIS WHEEL BASE 2 06 = CAB CHASSIS WHEEL BASE 6 11 = VAN WHEEL BASE 1 12 = VAN WHEEL BASE 2 51 = WAGON WHEEL BASE 1 52 = WAGON WHEEL BASE 2 14 = VAN WHEEL BASE 4 15 = VAN WHEEL BASE 5 54 = WAGON WHEEL BASE 4 55 = WAGON WHEEL BASE 5 56 = WAGON WHEEL BASE 6 16 = VAN WHEEL BASE 6	EX8 = 2.7L I5 Turbo Diesel Engine EX9 = 2.7L I5 Mercedes-Benz TD Engine	DGJ = 5-Speed Automatic MB Transmission DGZ = 4-Spd. Automatic MT643 Transmission

AR = use ase required - = Non illustrated part

Side Frame Rails and Crossmembers 3500
Figure 13-120



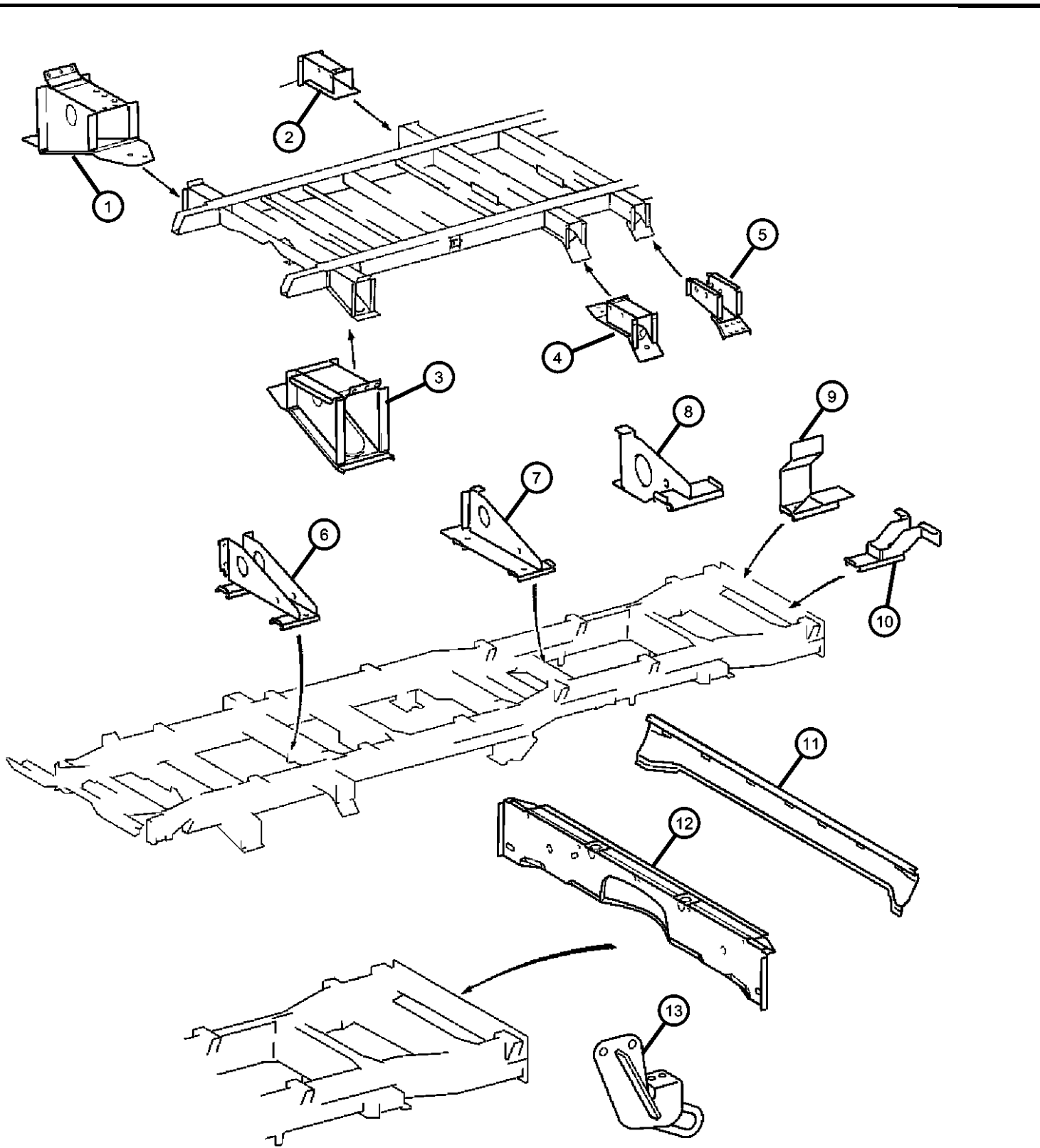
ITEM	PART NUMBER	QTY	LINE	SERIES	BODY	ENGINE	TRANS	TRIM	DESCRIPTION
	05119638AA	1	3, 7	L	02, 06				
		2	3, 7	L	12, 15, 16				
15									BRACKET, Crossmember
	05118223AA	4	3, 7	L	16				
		2	3, 7	L	12, 15				
16									BRACKET, Frame Rail
	05118220AA	1	2, 6	L	12, 15				
		1	2, 6	L	11, 12, 14, 15, 16				
		1	3, 7	L	12, 15, 16				
		1	2, 6	L	51, 52, 54, 55, 56				
17		1							CROSSMEMBER, Rear Frame, (NOT SERVICED)

SPRINTER (VA)

SERIES	LINE	BODY	ENGINE	TRANSMISSION
L = LOWLINE	3 = HD DODGE 2WD 8 = HD DODGE 4WD 6 = Lt. Duty DODGE 4WD 2 = Med. Duty DODGE 2WD 7 = Med. Duty DODGE 4WD 4 = TRUCK	01 = CHASSIS FORWARD CONTROL W.B.1 02 = CAB CHASSIS WHEEL BASE 2 06 = CAB CHASSIS WHEEL BASE 6 11 = VAN WHEEL BASE 1 12 = VAN WHEEL BASE 2 51 = WAGON WHEEL BASE 1 52 = WAGON WHEEL BASE 2 14 = VAN WHEEL BASE 4 15 = VAN WHEEL BASE 5 54 = WAGON WHEEL BASE 4 55 = WAGON WHEEL BASE 5 56 = WAGON WHEEL BASE 6 16 = VAN WHEEL BASE 6	EX8 = 2.7L I5 Turbo Diesel Engine EX9 = 2.7L I5 Mercedes-Benz TD Engine	DGJ = 5-Speed Automatic MB Transmission DGZ = 4-Spd. Automatic MT643 Transmission

AR = use ase required - = Non illustrated part

Brackets, Frame To Body Supports
Figure 13-130



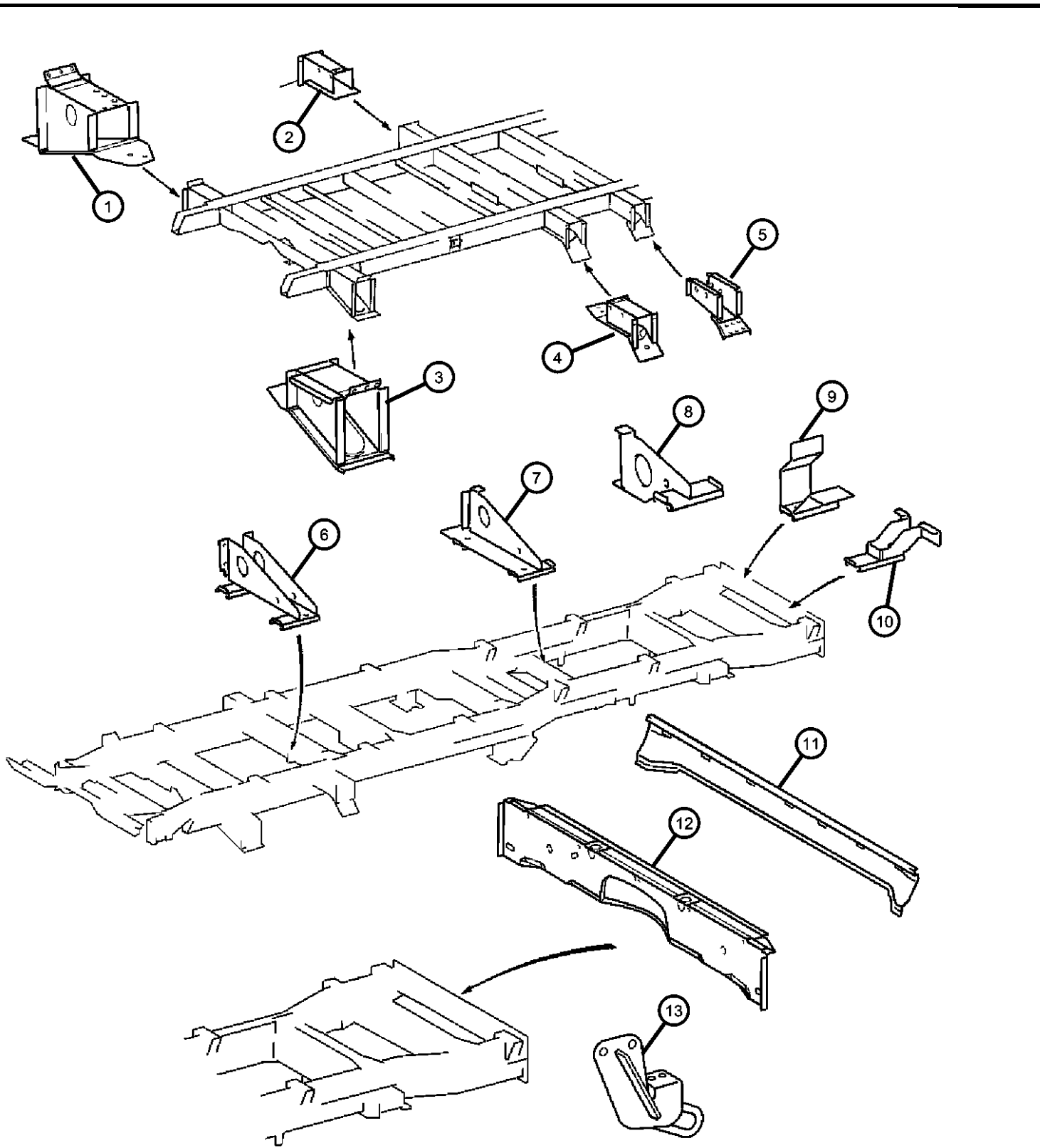
ITEM	PART NUMBER	QTY	LINE	SERIES	BODY	ENGINE	TRANS	TRIM	DESCRIPTION
1	05118013AA	1	2, 6	L	11, 12, 14, 15, 16				BRACKET, Frame Rail Right
		1	2, 6	L	51, 52, 54, 55, 56				Right
2	05118024AA	1	2, 6	L	12, 15				BRACKET, Frame Rail Right
		1	2, 6	L	52, 55				Right
		1	3, 7	L	12, 15, 16				Right
3	05118031AA	1	2, 6	L	11, 12, 14, 15, 16				BRACKET, Frame Rail Left
		1	2, 6	L	51, 52, 54, 55, 56				Left
		1	3, 7	L	12, 15, 16				Left
4	05118025AA	1	2, 6	L	52, 55				BRACKET, Frame Rail
		1	3, 7	L	12, 15, 16				
		1	2, 6	L	12, 15				
5	05118029AA	2	3, 7	L	12, 15, 16				BRACKET, Frame Rail Right & Left
6	05119822AA	1	2, 6	L	01, 02, 06				BRACKET, Frame
		1	2, 6	L	11, 12, 14, 15, 16				
		1	2, 6	L	51, 52, 54, 55, 56				
		1	3, 7	L	02, 06				
		1	3, 7	L	12, 15, 16				
		1	3, 7	L	12, 15, 16				
7	05119804AA	1	2, 6	L	51, 52, 54, 55, 56				BRACKET, Frame
		1	3, 7	L	02, 06				

SPRINTER (VA)

SERIES	LINE	BODY	ENGINE	TRANSMISSION
L = LOWLINE	3 = HD DODGE 2WD 8 = HD DODGE 4WD 6 = Lt. Duty DODGE 4WD 2 = Med. Duty DODGE 2WD 7 = Med. Duty DODGE 4WD 4 = TRUCK	01 = CHASSIS FORWARD CONTROL W.B.1 02 = CAB CHASSIS WHEEL BASE 2 06 = CAB CHASSIS WHEEL BASE 6 11 = VAN WHEEL BASE 1 12 = VAN WHEEL BASE 2 51 = WAGON WHEEL BASE 1 52 = WAGON WHEEL BASE 2 14 = VAN WHEEL BASE 4 15 = VAN WHEEL BASE 5 54 = WAGON WHEEL BASE 4 55 = WAGON WHEEL BASE 5 56 = WAGON WHEEL BASE 6 16 = VAN WHEEL BASE 6	EX8 = 2.7L I5 Turbo Diesel Engine EX9 = 2.7L I5 Mercedes-Benz TD Engine	DGJ = 5-Speed Automatic MB Transmission DGZ = 4-Spd. Automatic MT643 Transmission

AR = use ase required - = Non illustrated part

Brackets, Frame To Body Supports
Figure 13-130



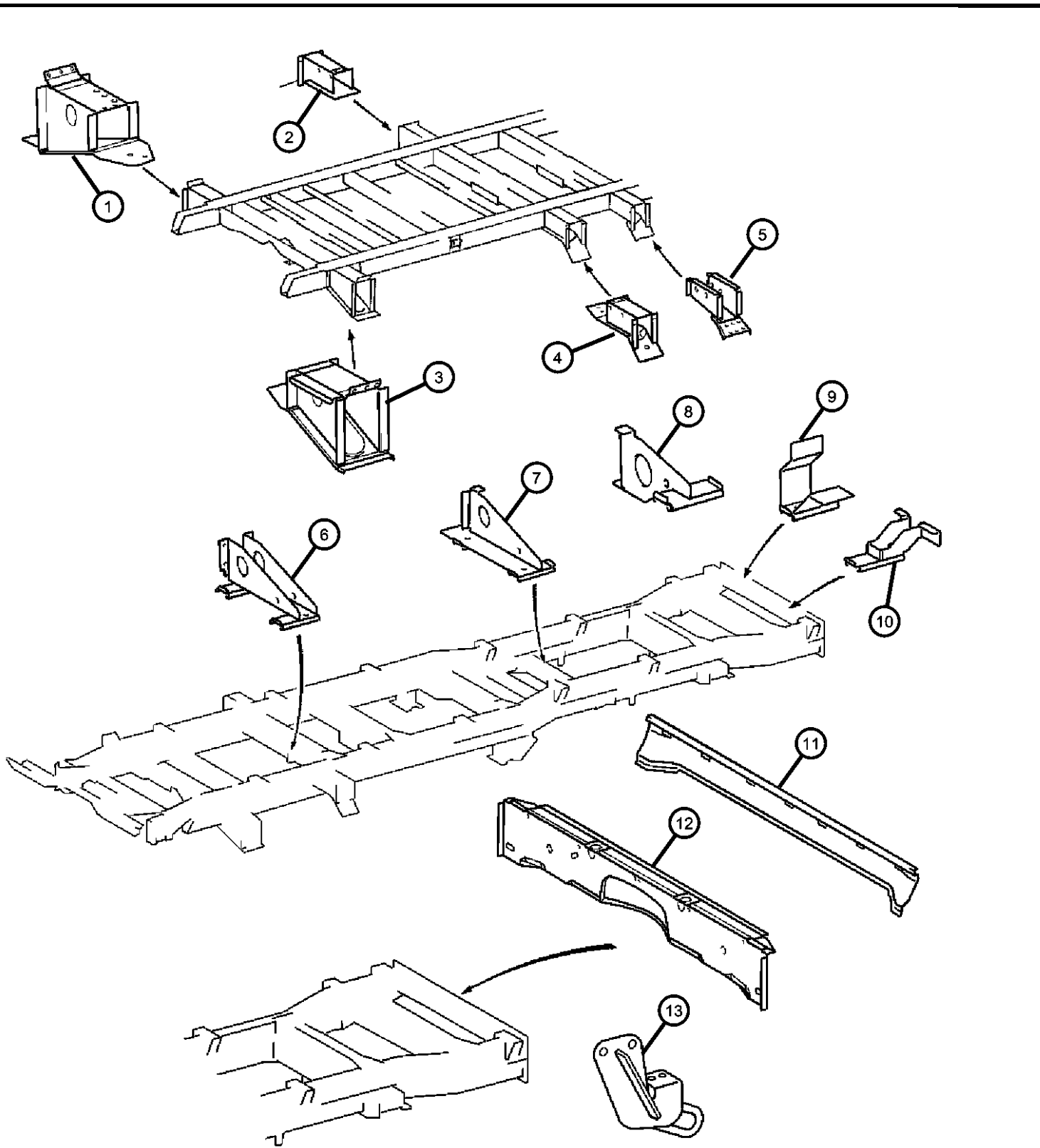
ITEM	PART NUMBER	QTY	LINE	SERIES	BODY	ENGINE	TRANS	TRIM	DESCRIPTION
8	05119811AA	1	3, 7	L	12, 15, 16				BRACKET, Exhaust, Muffler
		1	2, 6	L	02, 06				
		1	2, 6	L	11, 12, 14, 15, 16				
9	05119826AA	1	2, 6	L	06				BRACKET, Exhaust, Muffler
		1	2, 6	L	11, 12, 14, 15, 16				
		1	2, 6	L	51, 52, 54, 55, 56				
10	05119826AA	1	3, 7	L	02, 06				BRACKET, Exhaust, Muffler
		1	3, 7	L	12, 15, 16				
11	05104159AA	1	3, 7	L	02, 06				REINFORCEMENT, Rear Bumper
		1	3, 7	L	12, 15, 16				
		1	2, 6	L	11, 12, 14, 15, 16				
12	05104050AA	1	2, 6	L	51, 52, 54, 55, 56				REINFORCEMENT, Rear Bumper
		1	2, 6	L	12, 15, 16				
		1	3, 7	L	12, 15, 16				
13	05118001AA	1	2, 6	L	11, 12, 14, 15, 16				HOOK, Tow
		1	2, 6	L	51, 52, 54, 55, 56				
		1	3, 7	L	12, 15, 16				

SPRINTER (VA)

SERIES	LINE	BODY	ENGINE	TRANSMISSION
L = LOWLINE	3 = HD DODGE 2WD 8 = HD DODGE 4WD 6 = Lt. Duty DODGE 4WD 2 = Med. Duty DODGE 2WD 7 = Med. Duty DODGE 4WD 4 = TRUCK	01 = CHASSIS FORWARD CONTROL W.B.1 02 = CAB CHASSIS WHEEL BASE 2 06 = CAB CHASSIS WHEEL BASE 6 11 = VAN WHEEL BASE 1 12 = VAN WHEEL BASE 2 51 = WAGON WHEEL BASE 1 52 = WAGON WHEEL BASE 2 14 = VAN WHEEL BASE 4 15 = VAN WHEEL BASE 5 54 = WAGON WHEEL BASE 4 55 = WAGON WHEEL BASE 5 56 = WAGON WHEEL BASE 6 16 = VAN WHEEL BASE 6	EX8 = 2.7L I5 Turbo Diesel Engine EX9 = 2.7L I5 Mercedes-Benz TD Engine	DGJ = 5-Speed Automatic MB Transmission DGZ = 4-Spd. Automatic MT643 Transmission

AR = use ase required - = Non illustrated part

Brackets, Frame To Body Supports
Figure 13-130



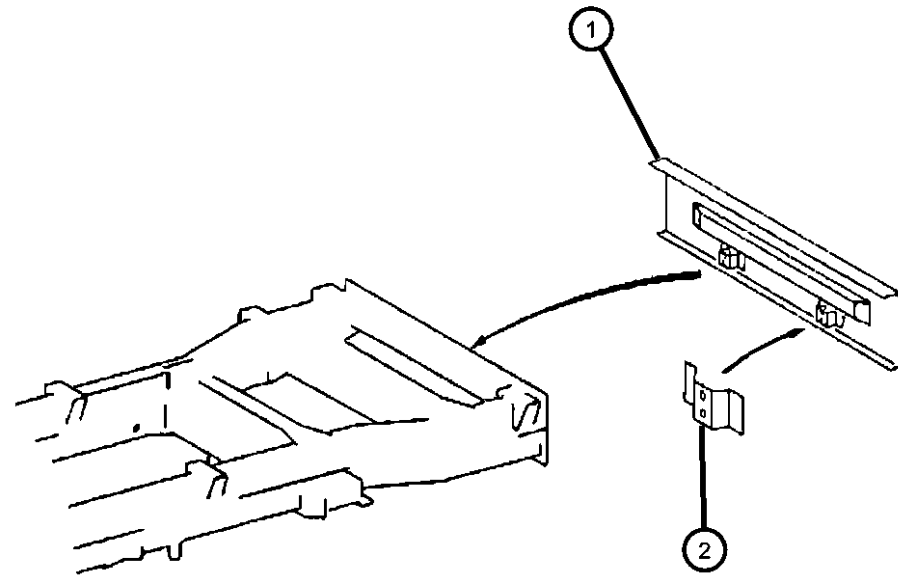
ITEM	PART NUMBER	QTY	LINE	SERIES	BODY	ENGINE	TRANS	TRIM	DESCRIPTION
	05118003AA	1	2, 6	L	12, 15				
		1	2, 6	L	52, 55				
	05118006AA	1	3, 7	L	12, 15				
	05118008AA	1	3, 7	L	16				

SPRINTER (VA)				
SERIES	LINE	BODY	ENGINE	TRANSMISSION
L = LOWLINE	3 = HD DODGE 2WD 8 = HD DODGE 4WD 6 = Lt. Duty DODGE 4WD 2 = Med. Duty DODGE 2WD 7 = Med. Duty DODGE 4WD 4 = TRUCK	01 = CHASSIS FORWARD CONTROL W.B.1 02 = CAB CHASSIS WHEEL BASE 2 06 = CAB CHASSIS WHEEL BASE 6 11 = VAN WHEEL BASE 1 12 = VAN WHEEL BASE 2 51 = WAGON WHEEL BASE 1 52 = WAGON WHEEL BASE 2 14 = VAN WHEEL BASE 4 15 = VAN WHEEL BASE 5 54 = WAGON WHEEL BASE 4 55 = WAGON WHEEL BASE 5 56 = WAGON WHEEL BASE 6 16 = VAN WHEEL BASE 6	EX8 = 2.7L I5 Turbo Diesel Engine EX9 = 2.7L I5 Mercedes-Benz TD Engine	DGJ = 5-Speed Automatic MB Transmission DGZ = 4-Spd. Automatic MT643 Transmission

AR = use ase required - = Non illustrated part

Rear Crossmember & Bracket
Figure 13-140

ITEM	PART NUMBER	QTY	LINE	SERIES	BODY	ENGINE	TRANS	TRIM	DESCRIPTION
1	05104159AA	1	2, 6	L	11, 12, 14, 15, 16				REINFORCEMENT, Rear Bumper
		1	2, 6	L	51, 52, 54, 55, 56				
	05118201AA	1	3, 7	L	12, 15, 16				
		1	3, 7	L	02, 06				
2	05118432AA	2	2, 6	L	01, 02, 06				BRACKET, Cowl
		2	3, 7	L	02, 06				

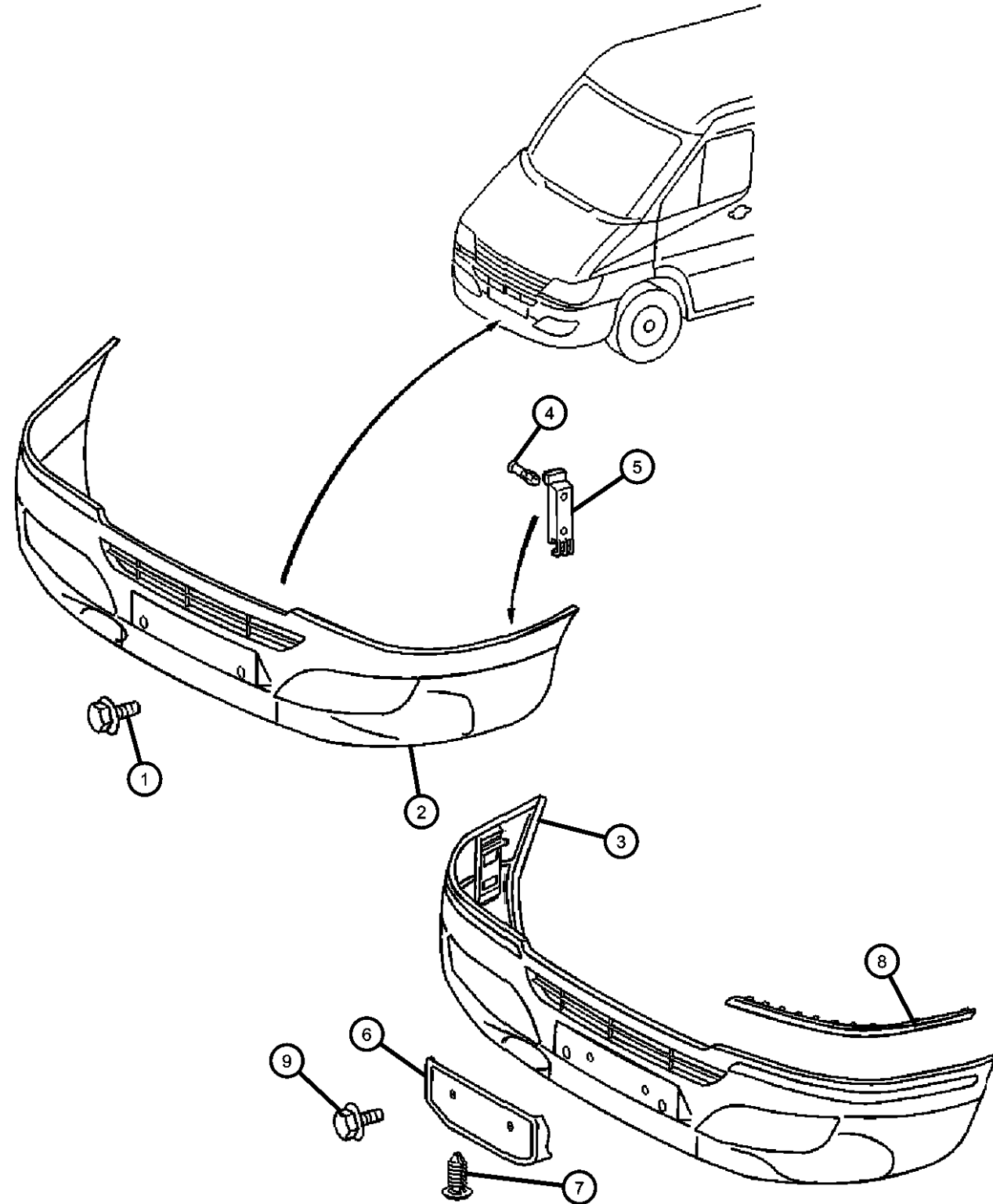


SPRINTER (VA)

SERIES	LINE	BODY	ENGINE	TRANSMISSION
L = LOWLINE	3 = HD DODGE 2WD 8 = HD DODGE 4WD 6 = Lt. Duty DODGE 4WD 2 = Med. Duty DODGE 2WD 7 = Med. Duty DODGE 4WD 4 = TRUCK	01 = CHASSIS FORWARD CONTROL W.B.1 02 = CAB CHASSIS WHEEL BASE 2 06 = CAB CHASSIS WHEEL BASE 6 11 = VAN WHEEL BASE 1 12 = VAN WHEEL BASE 2 51 = WAGON WHEEL BASE 1 52 = WAGON WHEEL BASE 2 14 = VAN WHEEL BASE 4 15 = VAN WHEEL BASE 5 54 = WAGON WHEEL BASE 4 55 = WAGON WHEEL BASE 5 56 = WAGON WHEEL BASE 6 16 = VAN WHEEL BASE 6	EX8 = 2.7L I5 Turbo Diesel Engine EX9 = 2.7L I5 Mercedes-Benz TD Engine	DGJ = 5-Speed Automatic MB Transmission DGZ = 4-Spd. Automatic MT643 Transmission

AR = use ase required - = Non illustrated part

Bumper, Front
Figure 13-230



ITEM	PART NUMBER	QTY	LINE	SERIES	BODY	ENGINE	TRANS	TRIM	DESCRIPTION
1									SCREW
	05103728AA	2	2, 6	L	01, 02, 06				
		2	2, 6	L	11, 12, 14, 15, 16				
		2	2, 6	L	51, 52, 54, 55, 56				
		2	3, 7	L	02, 06				
		2	3, 7	L	12, 15, 16				
2									FASCIA, Front
	05104513AA	1	2, 6	L	01, 02, 06				Without [MJD] or [WDG]
		1	2, 6	L	11, 12, 14, 15, 16				
		1	2, 6	L	51, 52, 54, 55, 56				
	05132494AA	1	3, 7	L	02, 06				[WDG]
		1	2, 6	L	11, 12, 14, 15, 16				
		1	3, 7	L	12, 15, 16				
		1	2, 6	L	01, 02, 06				[WDG]
		1	2, 6	L	51, 52, 54, 55, 56				[WDG]
		1	3, 7	L	02, 06				[WDG]
3									FASCIA, Front
	05104517AA	1	2, 6	L	01, 02, 06				[MJD]
		1	2, 6	L	16, 11, 12, 14, 15				[MJD]
		1	2, 6	L	51, 52, 54, 55, 56				[MJD]
		1	3, 7	L	02, 06				[MJD]
		1	3, 7	L	12, 15, 16				[MJD]
	05132496AA	1	2, 6	L	01, 02, 06				[MJD,WDG]
		1	2, 6	L	11, 12, 14, 15, 16				[MJD,WDG]

SPRINTER (VA)

SERIES

L = LOWLINE

LINE

3 = HD DODGE 2WD
8 = HD DODGE 4WD
6 = Lt. Duty DODGE 4WD
2 = Med. Duty DODGE 2WD
7 = Med. Duty DODGE 4WD
4 = TRUCK

BODY

01 = CHASSIS FORWARD CONTROL W.B.1
02 = CAB CHASSIS WHEEL BASE 2
06 = CAB CHASSIS WHEEL BASE 6
11 = VAN WHEEL BASE 1
12 = VAN WHEEL BASE 2
51 = WAGON WHEEL BASE 1
52 = WAGON WHEEL BASE 2
14 = VAN WHEEL BASE 4
15 = VAN WHEEL BASE 5
54 = WAGON WHEEL BASE 4
55 = WAGON WHEEL BASE 5
56 = WAGON WHEEL BASE 6
16 = VAN WHEEL BASE 6

ENGINE

EX8 = 2.7L I5 Turbo Diesel Engine
EX9 = 2.7L I5 Mercedes-Benz TD Engine

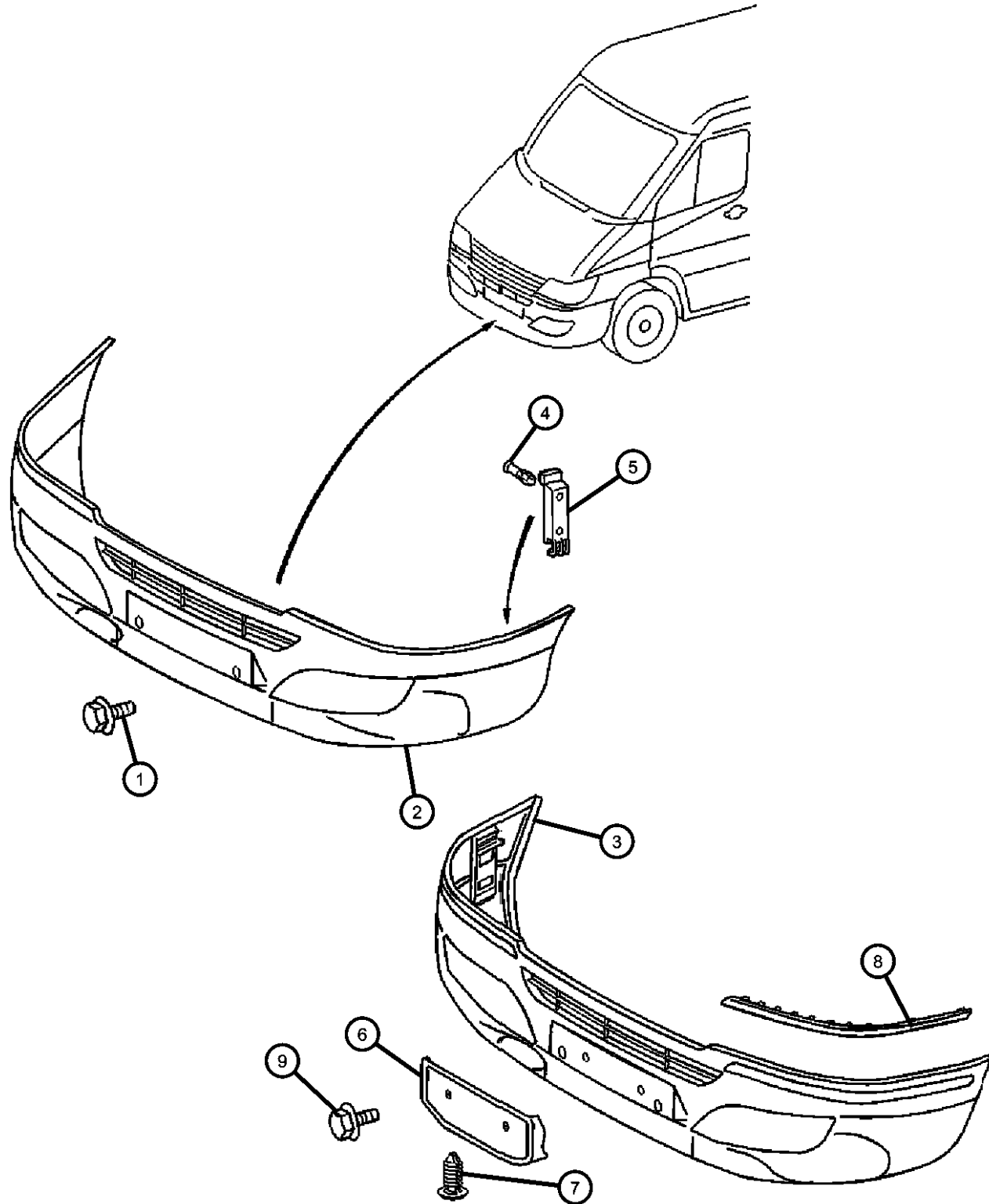
TRANSMISSION

DGJ = 5-Speed Automatic MB Transmission
DGZ = 4-Spd. Automatic MT643 Transmission

AR = use ase required - = Non illustrated part

2006 VA

Bumper, Front
Figure 13-230



ITEM	PART NUMBER	QTY	LINE	SERIES	BODY	ENGINE	TRANS	TRIM	DESCRIPTION
		1	2, 6	L	51, 52, 54, 55, 56				[MJD,WDG]
		1	3, 7	L	02, 06				[MJD,WDG]
4	05104543AA	4	2, 6	L	01, 02, 06				RETAINER, Fascia
		4	2, 6	L	11, 12, 14, 15, 16				
		4	2, 6	L	52, 54, 55, 56, 51				
		4	3, 7	L	02, 06				
		4	3, 7	L	12, 15, 16				
5	05104505AA	2	2, 6	L	11, 12, 14, 15, 16				BRACKET, Front Bumper
		2	2, 6	L	51, 52, 54, 55, 56				
		2	3, 7	L	02, 06				
		2	2, 6	L	01, 02, 06				
		2	3, 7	L	12, 15, 16				
6	05104524AA	1	2, 6	L	01, 02, 06				BRACKET, License Plate, Chrome
		1	2, 6	L	11, 12, 14, 15, 16				
		1	2, 6	L	51, 52, 54, 55, 56				
		1	3, 7	L	02, 06				
		1	3, 7	L	12, 15, 16				
7	05103817AA	2	2, 6	L	01, 02, 06				PLUG
		2	2, 6	L	15, 16, 11, 12, 14				
		2	3, 7	L	02, 06				

SPRINTER (VA)

SERIES

L = LOWLINE

LINE

3 = HD DODGE 2WD
 8 = HD DODGE 4WD
 6 = Lt. Duty DODGE 4WD
 2 = Med. Duty DODGE 2WD
 7 = Med. Duty DODGE 4WD
 4 = TRUCK

BODY

01 = CHASSIS FORWARD CONTROL W.B.1
 02 = CAB CHASSIS WHEEL BASE 2
 06 = CAB CHASSIS WHEEL BASE 6
 11 = VAN WHEEL BASE 1
 12 = VAN WHEEL BASE 2
 51 = WAGON WHEEL BASE 1
 52 = WAGON WHEEL BASE 2
 14 = VAN WHEEL BASE 4
 15 = VAN WHEEL BASE 5
 54 = WAGON WHEEL BASE 4
 55 = WAGON WHEEL BASE 5
 56 = WAGON WHEEL BASE 6
 16 = VAN WHEEL BASE 6

ENGINE

EX8 = 2.7L I5 Turbo Diesel Engine
 EX9 = 2.7L I5 Mercedes-Benz TD Engine

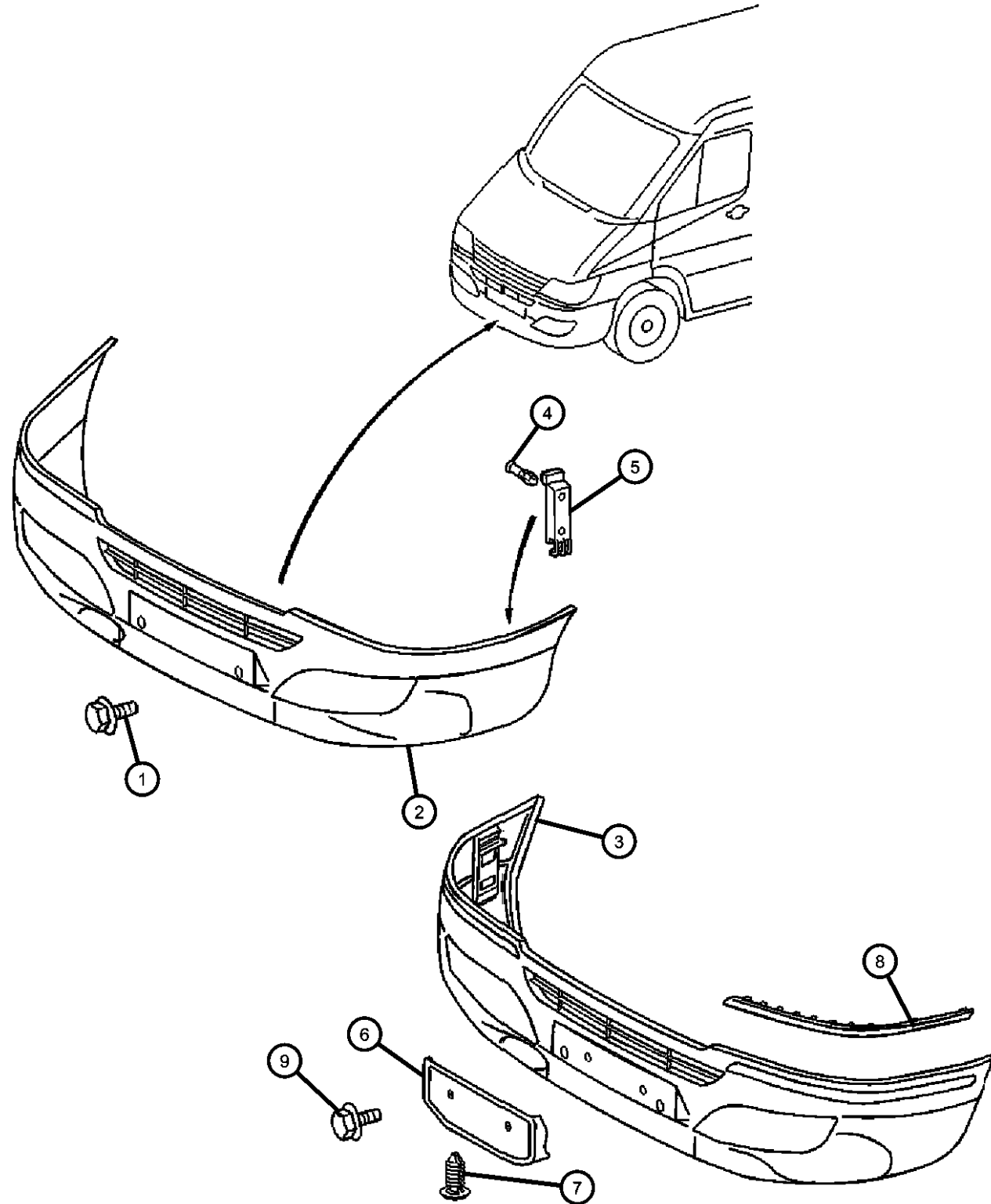
TRANSMISSION

DGJ = 5-Speed Automatic MB Transmission
 DGZ = 4-Spd. Automatic MT643 Transmission

AR = use ase required - = Non illustrated part

2006 VA

Bumper, Front
Figure 13-230



ITEM	PART NUMBER	QTY	LINE	SERIES	BODY	ENGINE	TRANS	TRIM	DESCRIPTION
		2	3, 7	L	12, 15, 16				
		2	2, 6	L	51, 52, 54, 55, 56				
8									NERF, Fascia
	05104523AA	1	2, 6	L	01, 02, 06				Left
		1	2, 6	L	11, 12, 14, 15, 16				Left
		1	2, 6	L	51, 52, 54, 55, 56				Left
		1	3, 7	L	12, 15, 16				Left
	05104525AA	1	2, 6	L	01, 02, 06				Right
		1	2, 6	L	11, 12, 14, 15, 16				Right
		1	2, 6	L	51, 52, 54, 55, 56				Right
		1	3, 7	L	02, 06				Left
		1	3, 7	L	12, 15, 16				Right
		1	3, 7	L	02, 06				Right
9		1							SCREW, 5 x 16, (NOT SERVICED)

SPRINTER (VA)

SERIES

L = LOWLINE

LINE

3 = HD DODGE 2WD
8 = HD DODGE 4WD
6 = Lt. Duty DODGE 4WD
2 = Med. Duty DODGE 2WD
7 = Med. Duty DODGE 4WD
4 = TRUCK

BODY

01 = CHASSIS FORWARD CONTROL W.B.1
02 = CAB CHASSIS WHEEL BASE 2
06 = CAB CHASSIS WHEEL BASE 6
11 = VAN WHEEL BASE 1
12 = VAN WHEEL BASE 2
51 = WAGON WHEEL BASE 1
52 = WAGON WHEEL BASE 2
14 = VAN WHEEL BASE 4
15 = VAN WHEEL BASE 5
54 = WAGON WHEEL BASE 4
55 = WAGON WHEEL BASE 5
56 = WAGON WHEEL BASE 6
16 = VAN WHEEL BASE 6

ENGINE

EX8 = 2.7L I5 Turbo Diesel Engine
EX9 = 2.7L I5 Mercedes-Benz TD Engine

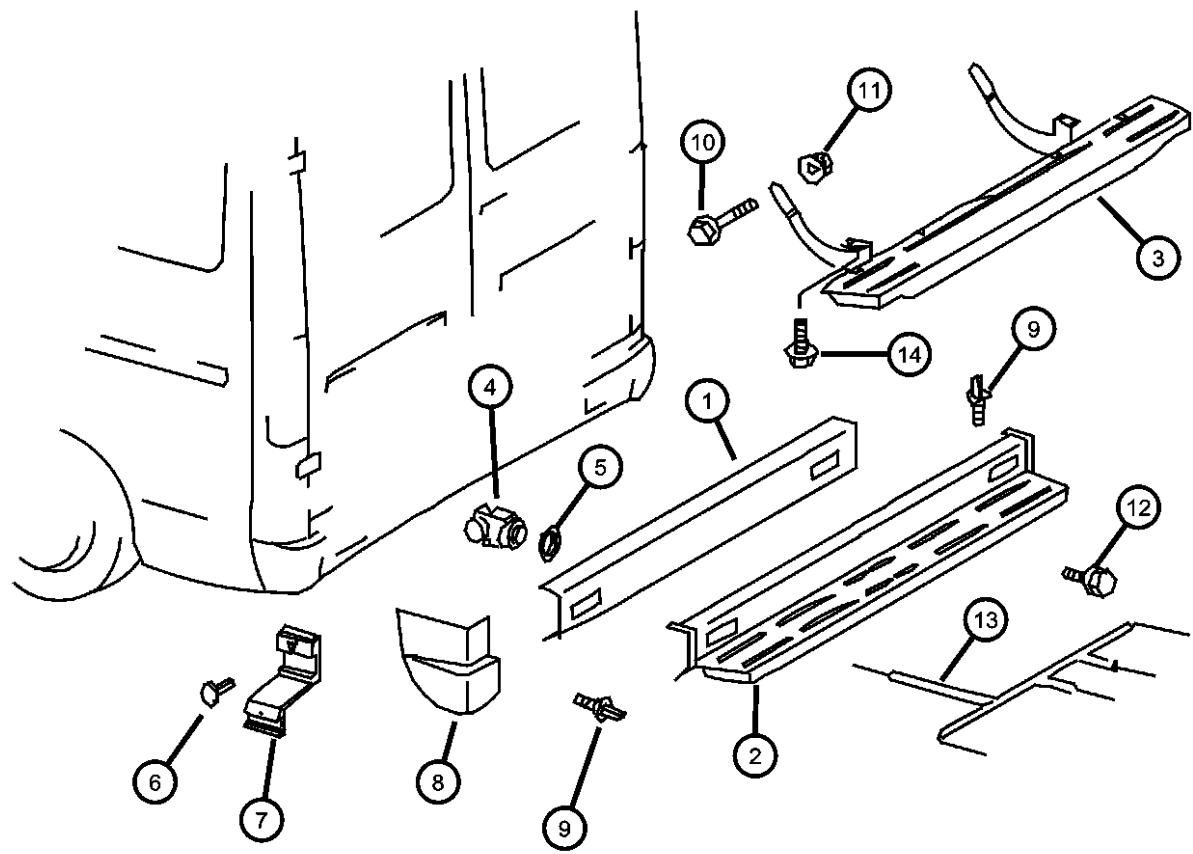
TRANSMISSION

DGJ = 5-Speed Automatic MB Transmission
DGZ = 4-Spd. Automatic MT643 Transmission

AR = use ase required - = Non illustrated part

2006 VA

Rear Bumper & Rear Back Up Sensors
Figure 13-310



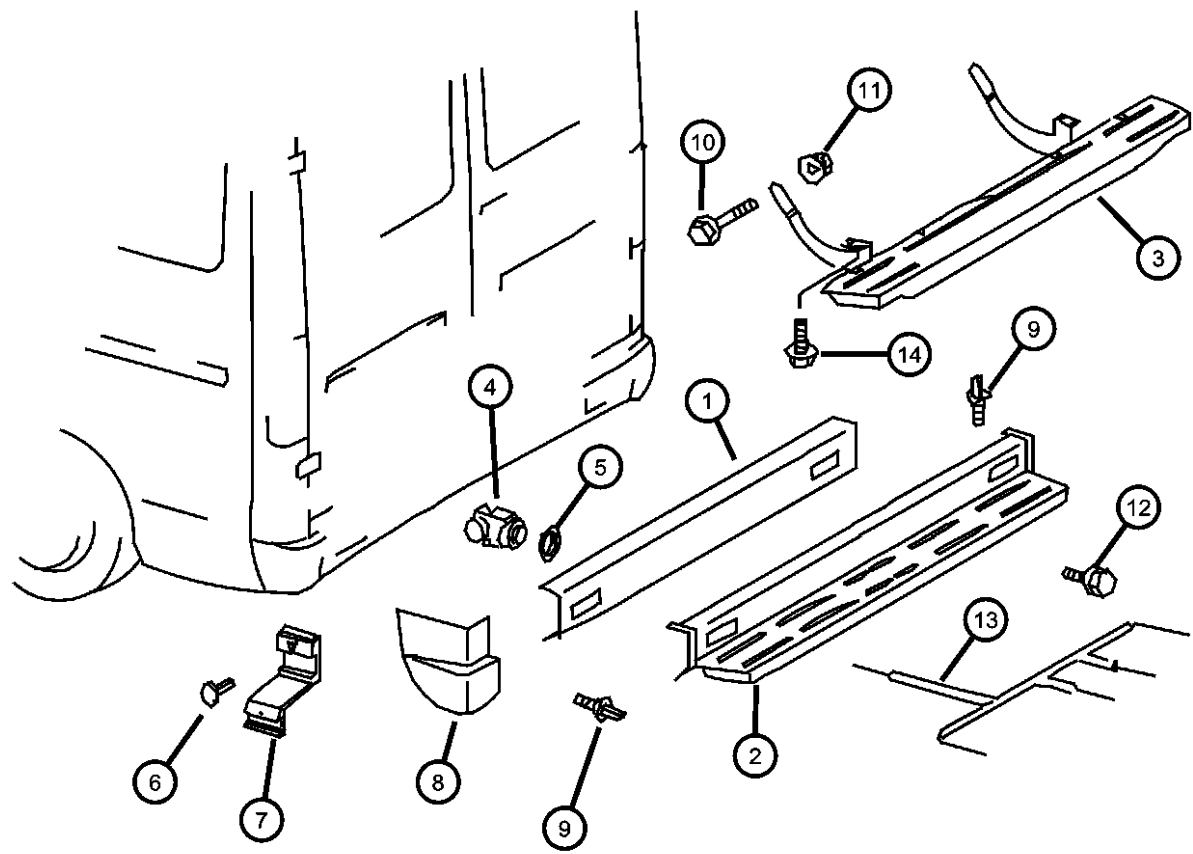
ITEM	PART NUMBER	QTY	LINE	SERIES	BODY	ENGINE	TRANS	TRIM	DESCRIPTION
NOTE: Sales Codes: [MBZ]=Dark Gray Rear Bumper With Step Pad. [XAA]=Park Assist Sensors [5AF]=[158'] Wheel Base									
1									BUMPER, Fascia, Rear
	05104512AA	1	2, 6	L	11, 12, 14, 15, 16				Without [XAA + MBZ] & Without Rear Door Wall Step
		1	2, 6	L	51, 52, 54, 55, 56				Without [XAA + MBZ] & Without Rear Door Wall Step
		1	3, 7	L	12, 15, 16				Without [XAA + MBZ] & Without Rear Door Wall Step
	05125120AA	1	2, 6	L	11, 12, 14, 15, 16				With [XAA]
		1	2, 6	L	51, 52, 54, 55, 56				With [XAA]
		1	3, 7	L	12, 15, 16				With [XAA]
2									BUMPER, Fascia, Rear
	05104526AA	1	2, 6	L	11, 12, 14, 15, 16				With [MBZ]
		1	2, 6	L	51, 52, 54, 55, 56				With [MBZ]
		1	3, 7	L	12, 15, 16				With [MBZ]
	05125121AA	1	2, 6	L	11, 12, 14, 15, 16				With [XAA + MBZ]
		1	2, 6	L	51, 52, 54, 55, 56				With [XAA + MBZ]
		1	3, 7	L	12, 15, 16				With [XAA + MBZ]
3									BUMPER, Step
	05120040AA	1	3, 7	L	16				With [5AF + MBZ] / Tow Hooks
	05120044AA	1	3, 7	L	16				With [5AF + MBZ + XAA] / With Tow Hooks
4									SENSOR, Park Assist
	05120341AA	4	2, 6	L	11, 12, 14, 15, 16				[XAA] Sales Code / Paint To Match Before Installation

SPRINTER (VA)

SERIES	LINE	BODY	ENGINE	TRANSMISSION
L = LOWLINE	3 = HD DODGE 2WD 8 = HD DODGE 4WD 6 = Lt. Duty DODGE 4WD 2 = Med. Duty DODGE 2WD 7 = Med. Duty DODGE 4WD 4 = TRUCK	01 = CHASSIS FORWARD CONTROL W.B.1 02 = CAB CHASSIS WHEEL BASE 2 06 = CAB CHASSIS WHEEL BASE 6 11 = VAN WHEEL BASE 1 12 = VAN WHEEL BASE 2 51 = WAGON WHEEL BASE 1 52 = WAGON WHEEL BASE 2 14 = VAN WHEEL BASE 4 15 = VAN WHEEL BASE 5 54 = WAGON WHEEL BASE 4 55 = WAGON WHEEL BASE 5 56 = WAGON WHEEL BASE 6 16 = VAN WHEEL BASE 6	EX8 = 2.7L I5 Turbo Diesel Engine EX9 = 2.7L I5 Mercedes-Benz TD Engine	DGJ = 5-Speed Automatic MB Transmission DGZ = 4-Spd. Automatic MT643 Transmission

AR = use ase required - = Non illustrated part

Rear Bumper & Rear Back Up Sensors
Figure 13-310



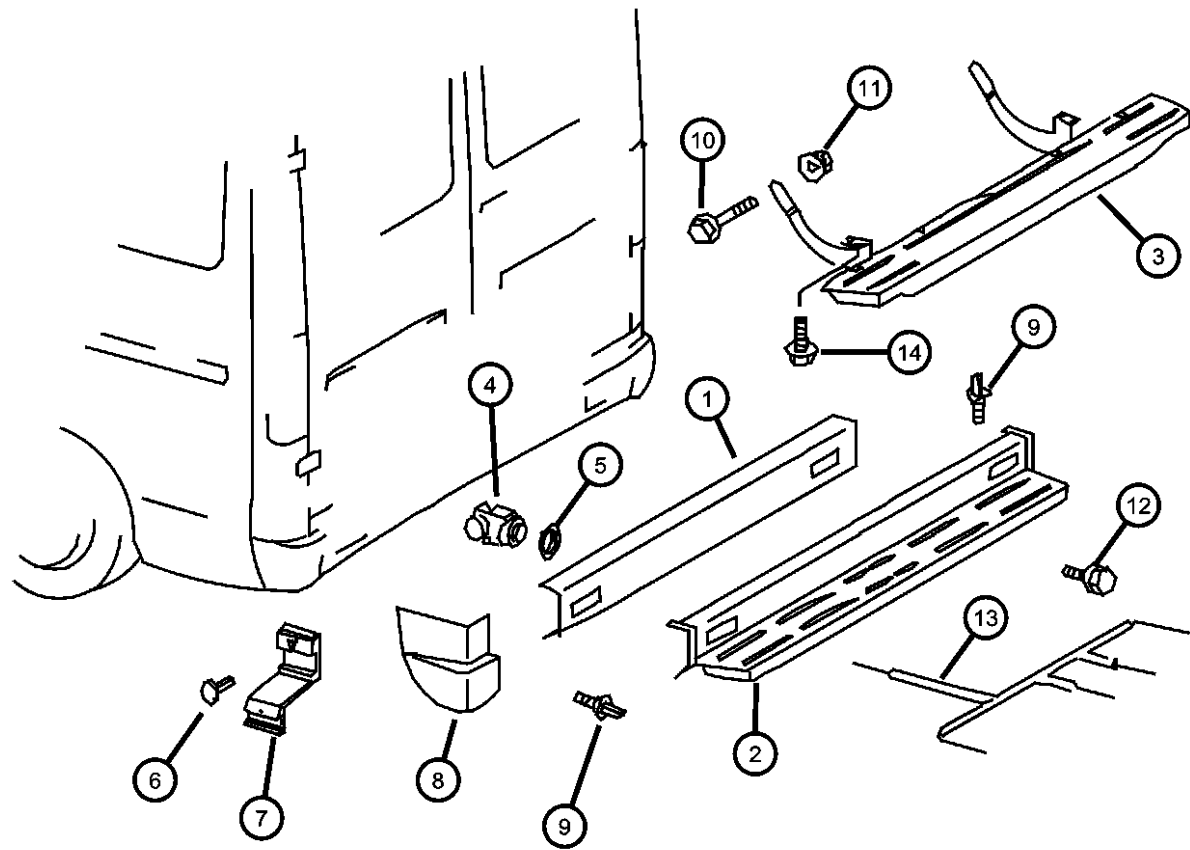
ITEM	PART NUMBER	QTY	LINE	SERIES	BODY	ENGINE	TRANS	TRIM	DESCRIPTION
		4	2, 6	L	51, 52, 54, 55, 56				[XAA] Sales Code / Paint To Match Before Instalation
		4	3, 7	L	12, 15, 16				[XAA] Sales Code / Paint To Match Before Instalation
5									SPACER, Sensor
	05120375AA	4	2, 6	L	11, 12, 14, 15, 16				
		4	2, 6	L	51, 52, 54, 55, 56				
		4	3, 7	L	12, 15, 16				
6									RETAINER, Fascia
	05104543AA	2	2, 6	L	11, 12, 14, 15, 16				Right & Left
		2	2, 6	L	51, 52, 54, 55, 56				Right & Left
		2	3, 7	L	12, 15, 16				Right & Left
7									BRACKET, Rear Bumper
	05104508AA	1	2, 6	L	11, 12, 14, 15, 16				Left
		1	2, 6	L	51, 52, 54, 55, 56				Left
		1	3, 7	L	12, 15, 16				Left
	05104510AA	1	2, 6	L	11, 12, 14, 15, 16				Right
		1	3, 7	L	12, 15, 16				Right
		1	2, 6	L	51, 52, 54, 55, 56				Right
8									COVER, Fascia
	05104509AA	1	2, 6	L	11, 12, 14, 15, 16				Left
		1	2, 6	L	51, 52, 54, 55, 56				Left
		1	3, 7	L	12, 15, 16				Left
	05104511AA	1	2, 6	L	11, 12, 14, 15, 16				Right

SPRINTER (VA)

SERIES	LINE	BODY	ENGINE	TRANSMISSION
L = LOWLINE	3 = HD DODGE 2WD 8 = HD DODGE 4WD 6 = Lt. Duty DODGE 4WD 2 = Med. Duty DODGE 2WD 7 = Med. Duty DODGE 4WD 4 = TRUCK	01 = CHASSIS FORWARD CONTROL W.B.1 02 = CAB CHASSIS WHEEL BASE 2 06 = CAB CHASSIS WHEEL BASE 6 11 = VAN WHEEL BASE 1 12 = VAN WHEEL BASE 2 51 = WAGON WHEEL BASE 1 52 = WAGON WHEEL BASE 2 14 = VAN WHEEL BASE 4 15 = VAN WHEEL BASE 5 54 = WAGON WHEEL BASE 4 55 = WAGON WHEEL BASE 5 56 = WAGON WHEEL BASE 6 16 = VAN WHEEL BASE 6	EX8 = 2.7L I5 Turbo Diesel Engine EX9 = 2.7L I5 Mercedes-Benz TD Engine	DGJ = 5-Speed Automatic MB Transmission DGZ = 4-Spd. Automatic MT643 Transmission

AR = use ase required - = Non illustrated part

Rear Bumper & Rear Back Up Sensors
Figure 13-310



ITEM	PART NUMBER	QTY	LINE	SERIES	BODY	ENGINE	TRANS	TRIM	DESCRIPTION
		1	2, 6	L	51, 52, 54, 55, 56				Right
		1	3, 7	L	12, 15, 16				Right
9									RIVET
	05103730AA	4	2, 6	L	11, 12, 14, 15, 16				
		4	2, 6	L	51, 52, 54, 55, 56				
		4	3, 7	L	12, 15, 16				
10									SCREW
	05104664AA	2	2, 6	L	11, 12, 14, 15, 16				
		2	2, 6	L	51, 52, 54, 55, 56				
		2	3, 7	L	12, 15, 16				
11									NUT
	06104718AA	2	2, 6	L	01, 02, 06				
		2	2, 6	L	11, 12, 14, 15, 16				
		2	3, 7	L	12, 15, 16				
12									SCREW
	05103728AA	2	2, 6	L	01, 02, 06				
		2	2, 6	L	11, 12, 14, 15, 16				
		2	3, 7	L	02, 06				
13									WIRING, Distance Sensor
	05120161AA	1	2, 6	L	11, 12, 14, 15, 16				
		1	2, 6	L	51, 52, 54, 55, 56				
		1	3, 7	L	12, 15, 16				
	05136468AA	1	2, 6	L	01, 02, 06				

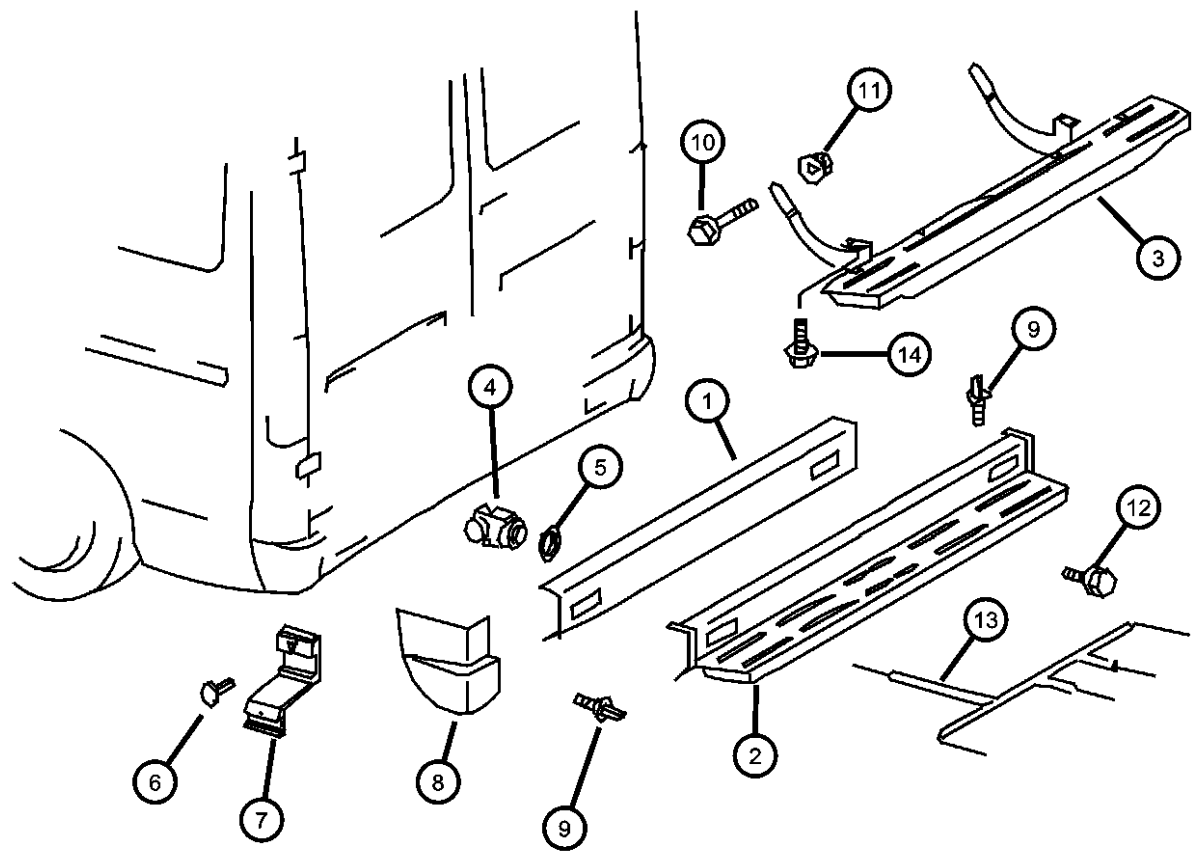
SPRINTER (VA)

SERIES	LINE	BODY	ENGINE	TRANSMISSION
L = LOWLINE	3 = HD DODGE 2WD 8 = HD DODGE 4WD 6 = Lt. Duty DODGE 4WD 2 = Med. Duty DODGE 2WD 7 = Med. Duty DODGE 4WD 4 = TRUCK	01 = CHASSIS FORWARD CONTROL W.B.1 02 = CAB CHASSIS WHEEL BASE 2 06 = CAB CHASSIS WHEEL BASE 6 11 = VAN WHEEL BASE 1 12 = VAN WHEEL BASE 2 51 = WAGON WHEEL BASE 1 52 = WAGON WHEEL BASE 2 14 = VAN WHEEL BASE 4 15 = VAN WHEEL BASE 5 54 = WAGON WHEEL BASE 4 55 = WAGON WHEEL BASE 5 56 = WAGON WHEEL BASE 6 16 = VAN WHEEL BASE 6	EX8 = 2.7L I5 Turbo Diesel Engine EX9 = 2.7L I5 Mercedes-Benz TD Engine	DGJ = 5-Speed Automatic MB Transmission DGZ = 4-Spd. Automatic MT643 Transmission

AR = use ase required - = Non illustrated part

Rear Bumper & Rear Back Up Sensors
Figure 13-310

ITEM	PART NUMBER	QTY	LINE	SERIES	BODY	ENGINE	TRANS	TRIM	DESCRIPTION
14									BOLT, Hex Flange Head, M10x1.50x25
	06104215AA	4	2, 6	L	11, 12, 14, 15, 16				
		4	2, 6	L	51, 52, 54, 55, 56				
		4	3, 7	L	12, 15, 16				



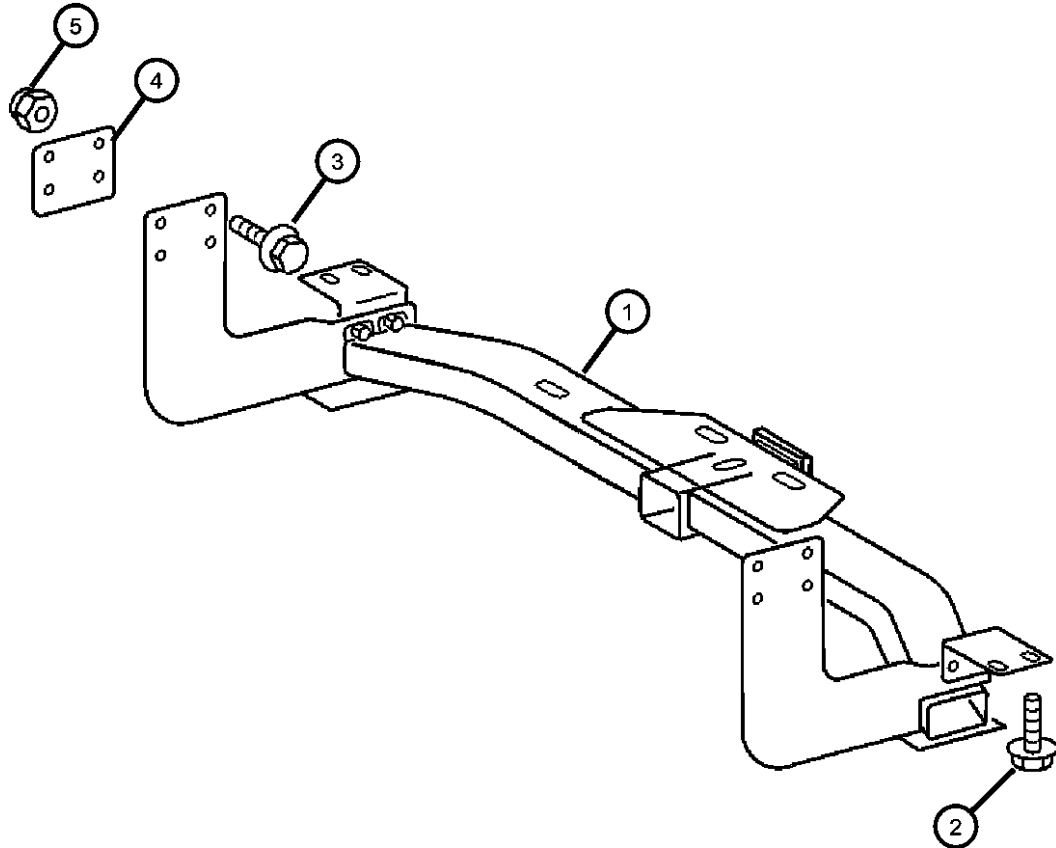
SPRINTER (VA)

SERIES	LINE	BODY	ENGINE	TRANSMISSION
L = LOWLINE	3 = HD DODGE 2WD 8 = HD DODGE 4WD 6 = Lt. Duty DODGE 4WD 2 = Med. Duty DODGE 2WD 7 = Med. Duty DODGE 4WD 4 = TRUCK	01 = CHASSIS FORWARD CONTROL W.B.1 02 = CAB CHASSIS WHEEL BASE 2 06 = CAB CHASSIS WHEEL BASE 6 11 = VAN WHEEL BASE 1 12 = VAN WHEEL BASE 2 51 = WAGON WHEEL BASE 1 52 = WAGON WHEEL BASE 2 14 = VAN WHEEL BASE 4 15 = VAN WHEEL BASE 5 54 = WAGON WHEEL BASE 4 55 = WAGON WHEEL BASE 5 56 = WAGON WHEEL BASE 6 16 = VAN WHEEL BASE 6	EX8 = 2.7L I5 Turbo Diesel Engine EX9 = 2.7L I5 Mercedes-Benz TD Engine	DGJ = 5-Speed Automatic MB Transmission DGZ = 4-Spd. Automatic MT643 Transmission

AR = use ase required - = Non illustrated part

Rear Hitch
Figure 13-610

ITEM	PART NUMBER	QTY	LINE	SERIES	BODY	ENGINE	TRANS	TRIM	DESCRIPTION
1									SUPPORT, Hitch
	05104057AA	1	2, 6	L	12, 15				
		1	2, 6	L	52, 55				
		1	3, 7	L	16				
	05128441AA	1	2, 6	L	11, 14				
		1	2, 6	L	51, 54				
2									BOLT, Hex Flange Head, M10x1.50x25
	06104215AA	2	2, 6	L	11, 12, 14, 15, 16				
		2	2, 6	L	51, 52, 54, 55, 56				
		2	2, 6	L	01, 02, 06				
		4	3, 7	L	12, 15, 16				
		2	3, 7	L	02, 06				
3									SCREW
	05103604AA	1	2, 6	L	01, 02, 06				
		1	2, 6	L	11, 12, 14, 15, 16				
		1	2, 6	L	51, 52, 54, 55, 56				
		1	3, 7	L	02, 06				
		1	3, 7	L	12, 15, 16				
4									PLATE, Towing Mounting
	05104056AA	2	2, 6	L	51, 52, 54, 55, 56				
		2	2, 6	L	01, 02, 06				
		2	2, 6	L	11, 12, 14, 15, 16				
		2	3, 7	L	02, 06				
		2	3, 7	L	12, 15, 16				
5									NUT



SPRINTER (VA)

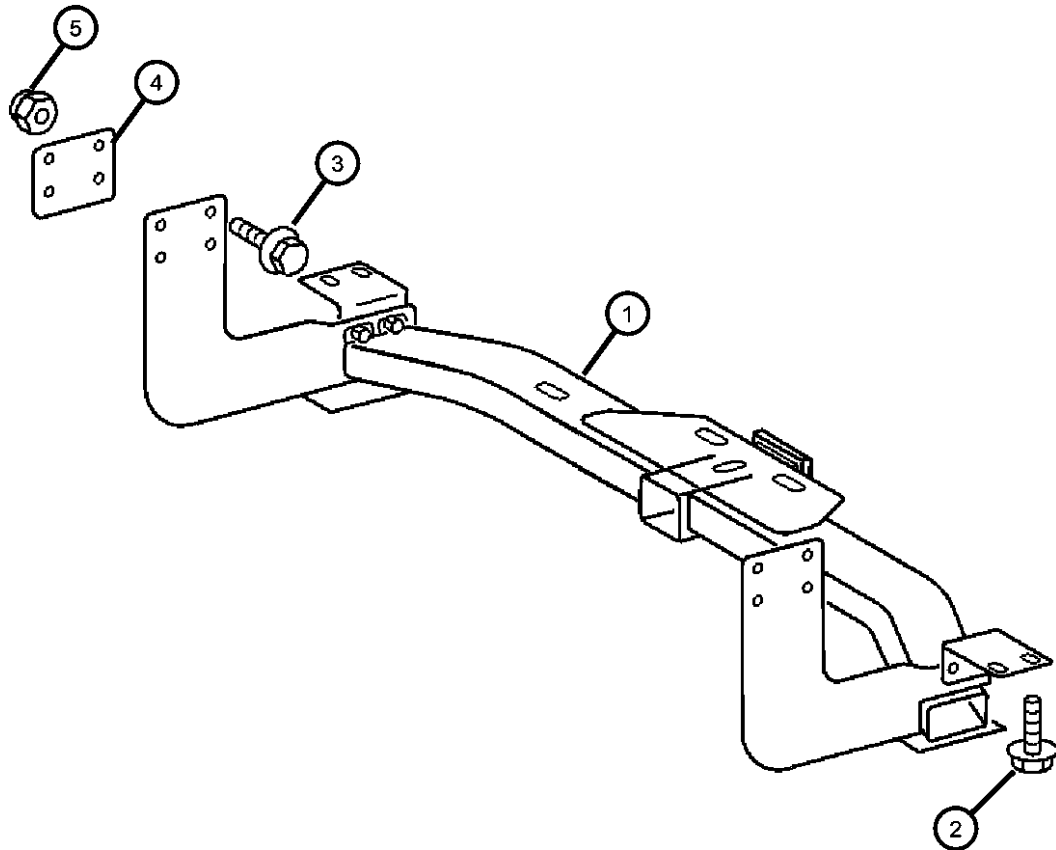
SERIES	LINE	BODY	ENGINE	TRANSMISSION
L = LOWLINE	3 = HD DODGE 2WD 8 = HD DODGE 4WD 6 = Lt. Duty DODGE 4WD 2 = Med. Duty DODGE 2WD 7 = Med. Duty DODGE 4WD 4 = TRUCK	01 = CHASSIS FORWARD CONTROL W.B.1 02 = CAB CHASSIS WHEEL BASE 2 06 = CAB CHASSIS WHEEL BASE 6 11 = VAN WHEEL BASE 1 12 = VAN WHEEL BASE 2 51 = WAGON WHEEL BASE 1 52 = WAGON WHEEL BASE 2 14 = VAN WHEEL BASE 4 15 = VAN WHEEL BASE 5 54 = WAGON WHEEL BASE 4 55 = WAGON WHEEL BASE 5 56 = WAGON WHEEL BASE 6 16 = VAN WHEEL BASE 6	EX8 = 2.7L I5 Turbo Diesel Engine EX9 = 2.7L I5 Mercedes-Benz TD Engine	DGJ = 5-Speed Automatic MB Transmission DGZ = 4-Spd. Automatic MT643 Transmission

AR = use ase required - = Non illustrated part

2006 VA

Rear Hitch
Figure 13-610

ITEM	PART NUMBER	QTY	LINE	SERIES	BODY	ENGINE	TRANS	TRIM	DESCRIPTION
	05103668AA	1	2, 6	L	11, 12, 14, 15, 16				
		1	2, 6	L	51, 52, 54, 55, 56				
	06104718AA	2	2, 6	L	51, 52, 54, 55, 56				
		8	2, 6	L	01, 02, 06				
		8	2, 6	L	11, 12, 14, 15, 16				
		8	3, 7	L	02, 06				
		8	3, 7	L	12, 15, 16				

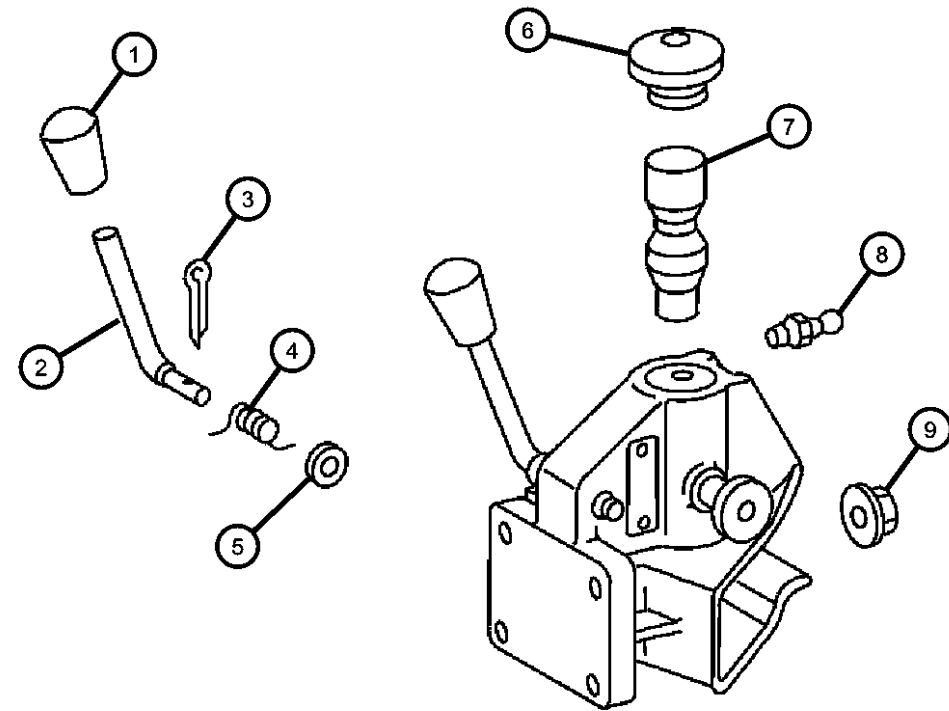


SPRINTER (VA)

SERIES	LINE	BODY	ENGINE	TRANSMISSION
L = LOWLINE	3 = HD DODGE 2WD 8 = HD DODGE 4WD 6 = Lt. Duty DODGE 4WD 2 = Med. Duty DODGE 2WD 7 = Med. Duty DODGE 4WD 4 = TRUCK	01 = CHASSIS FORWARD CONTROL W.B.1 02 = CAB CHASSIS WHEEL BASE 2 06 = CAB CHASSIS WHEEL BASE 6 11 = VAN WHEEL BASE 1 12 = VAN WHEEL BASE 2 51 = WAGON WHEEL BASE 1 52 = WAGON WHEEL BASE 2 14 = VAN WHEEL BASE 4 15 = VAN WHEEL BASE 5 54 = WAGON WHEEL BASE 4 55 = WAGON WHEEL BASE 5 56 = WAGON WHEEL BASE 6 16 = VAN WHEEL BASE 6	EX8 = 2.7L I5 Turbo Diesel Engine EX9 = 2.7L I5 Mercedes-Benz TD Engine	DGJ = 5-Speed Automatic MB Transmission DGZ = 4-Spd. Automatic MT643 Transmission

AR = use ase required - = Non illustrated part

Trailer Tow
Figure 13-620



ITEM	PART NUMBER	QTY	LINE	SERIES	BODY	ENGINE	TRANS	TRIM	DESCRIPTION
1		8							HANDLE, Latch, (NOT SERVICED)
2									LEVER
	05133855AA	1	2, 6	L	01, 02, 06				
		1	2, 6	L	11, 12, 14, 15, 16				
		1	2, 6	L	51, 52, 54, 55, 56				
		1	3, 7	L	02, 06				
		1	3, 7	L	12, 15, 16				
3									PIN
	05133860AA	1	2, 6	L	01, 02, 06				
		1	2, 6	L	11, 12, 14, 15, 16				
		1	2, 6	L	51, 52, 54, 55, 56				
		1	3, 7	L	02, 06				
		1	3, 7	L	12, 15, 16				
4		1							SPRING, Lever, (NOT SERVICED)
5		1							WASHER, (NOT SERVICED)
6		1							COVER, (NOT SERVICED)
7									PIN, Hitch
	05133853AA	1	2, 6	L	01, 02, 06				
		1	2, 6	L	11, 12, 14, 15, 16				
		1	2, 6	L	51, 52, 54, 55, 56				
		1	3, 7	L	02, 06				
		1	3, 7	L	12, 15, 16				
8									FITTING, Grease
	05133858AA	1	2, 6	L	01, 02, 06				
		1	2, 6	L	11, 12, 14, 15, 16				

SPRINTER (VA)

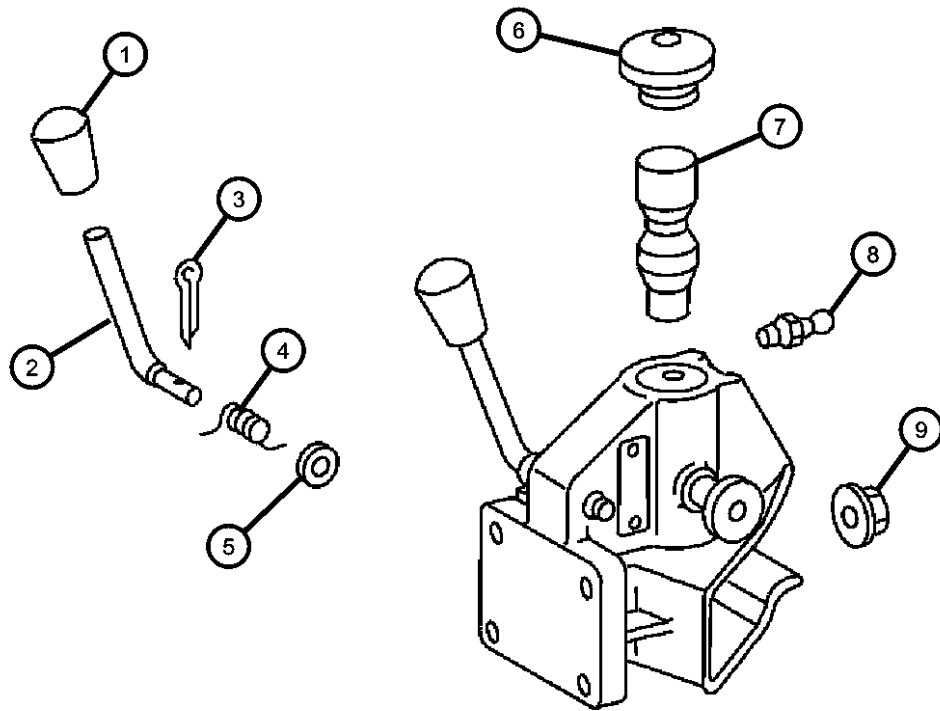
SERIES	LINE	BODY	ENGINE	TRANSMISSION
L = LOWLINE	3 = HD DODGE 2WD 8 = HD DODGE 4WD 6 = Lt. Duty DODGE 4WD 2 = Med. Duty DODGE 2WD 7 = Med. Duty DODGE 4WD 4 = TRUCK	01 = CHASSIS FORWARD CONTROL W.B.1 02 = CAB CHASSIS WHEEL BASE 2 06 = CAB CHASSIS WHEEL BASE 6 11 = VAN WHEEL BASE 1 12 = VAN WHEEL BASE 2 51 = WAGON WHEEL BASE 1 52 = WAGON WHEEL BASE 2 14 = VAN WHEEL BASE 4 15 = VAN WHEEL BASE 5 54 = WAGON WHEEL BASE 4 55 = WAGON WHEEL BASE 5 56 = WAGON WHEEL BASE 6 16 = VAN WHEEL BASE 6	EX8 = 2.7L I5 Turbo Diesel Engine EX9 = 2.7L I5 Mercedes-Benz TD Engine	DGJ = 5-Speed Automatic MB Transmission DGZ = 4-Spd. Automatic MT643 Transmission

AR = use ase required - = Non illustrated part

2006 VA

Trailer Tow
Figure 13-620

ITEM	PART NUMBER	QTY	LINE	SERIES	BODY	ENGINE	TRANS	TRIM	DESCRIPTION
		1	2, 6	L	51, 52, 54, 55, 56				
		1	3, 7	L	02, 06				
		1	3, 7	L	12, 15, 16				
9	06104717AA	4	2, 6	L	01, 02, 06				NUT
		4	2, 6	L	11, 12, 14, 15, 16				
		4	2, 6	L	51, 52, 54, 55, 56				
		4	3, 7	L	02, 06				
		4	3, 7	L	12, 15, 16				



SPRINTER (VA)

SERIES	LINE	BODY	ENGINE	TRANSMISSION
L = LOWLINE	3 = HD DODGE 2WD 8 = HD DODGE 4WD 6 = Lt. Duty DODGE 4WD 2 = Med. Duty DODGE 2WD 7 = Med. Duty DODGE 4WD 4 = TRUCK	01 = CHASSIS FORWARD CONTROL W.B.1 02 = CAB CHASSIS WHEEL BASE 2 06 = CAB CHASSIS WHEEL BASE 6 11 = VAN WHEEL BASE 1 12 = VAN WHEEL BASE 2 51 = WAGON WHEEL BASE 1 52 = WAGON WHEEL BASE 2 14 = VAN WHEEL BASE 4 15 = VAN WHEEL BASE 5 54 = WAGON WHEEL BASE 4 55 = WAGON WHEEL BASE 5 56 = WAGON WHEEL BASE 6 16 = VAN WHEEL BASE 6	EX8 = 2.7L I5 Turbo Diesel Engine EX9 = 2.7L I5 Mercedes-Benz TD Engine	DGJ = 5-Speed Automatic MB Transmission DGZ = 4-Spd. Automatic MT643 Transmission

AR = use ase required - = Non illustrated part

2006 VA

Group - 14

Fuel

Group - 14 Fuel

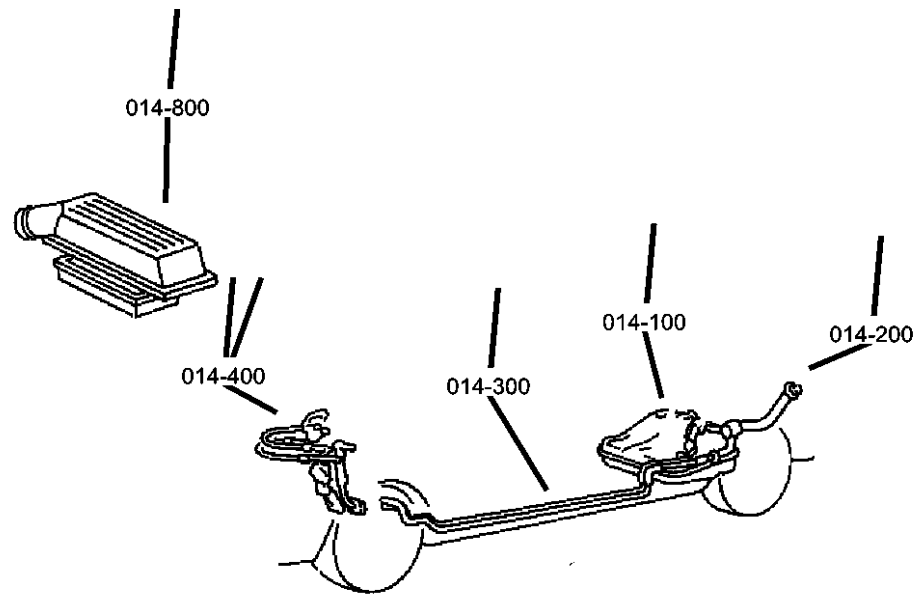


Illustration Title

Group-Fig. No.

Tank, Fuel

Fuel Tank Fig. 14 - 110

Fuel Tank Filler Tube

Fuel Tank Filler Tube..... Fig. 14 - 210

Fuel Lines

Fuel Lines..... Fig. 14 - 310

Fuel Line and Filter..... Fig. 14 - 320

Fuel Rail

Injection System [EX8]..... Fig. 14 - 410

Fuel Pump and Sending Unit

Fuel Module Fig. 14 - 510

Fuel Injection Pump & Turbo Charger

Fuel Injection Pump [EX8]..... Fig. 14 - 610

Turbo Charger Fig. 14 - 630

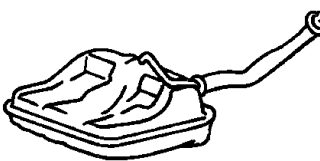

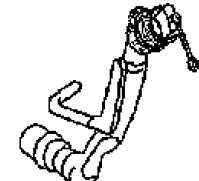
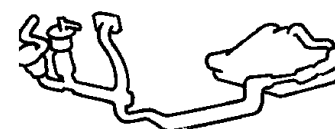
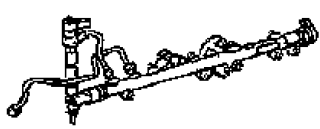
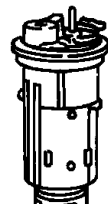
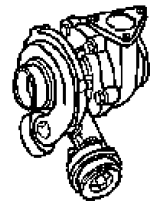
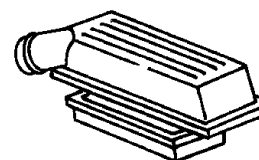
Turbo Charger Heat Shield..... Fig. 14 - 635

Air Cleaner

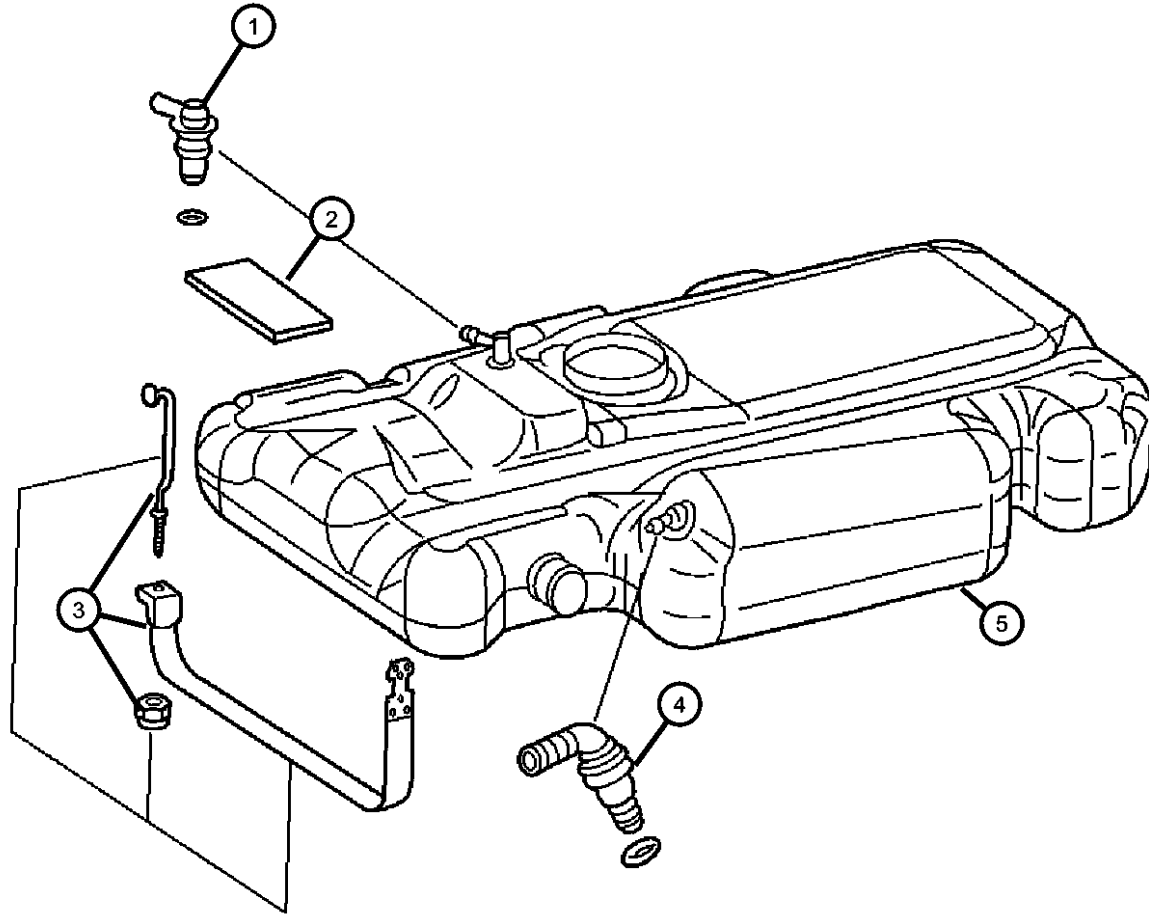
Air Cleaner..... Fig. 14 - 810

Accelerator Pedal

Accelerator Pedal Fig. 14 - 1110

<p>014-100 Tank, Fuel</p> 	<p>014-1100 Accelerator Pedal</p> 	<p>014-200 Fuel Tank Filler Tube</p> 	<p>014-300 Fuel Lines</p> 
<p>014-400 Fuel Rail</p> 	<p>014-500 Fuel Pump and Sending Unit</p> 	<p>014-600 Fuel Injection Pump & Turbo Charger</p> 	<p>014-800 Air Cleaner</p> 

Fuel Tank
Figure 14-110



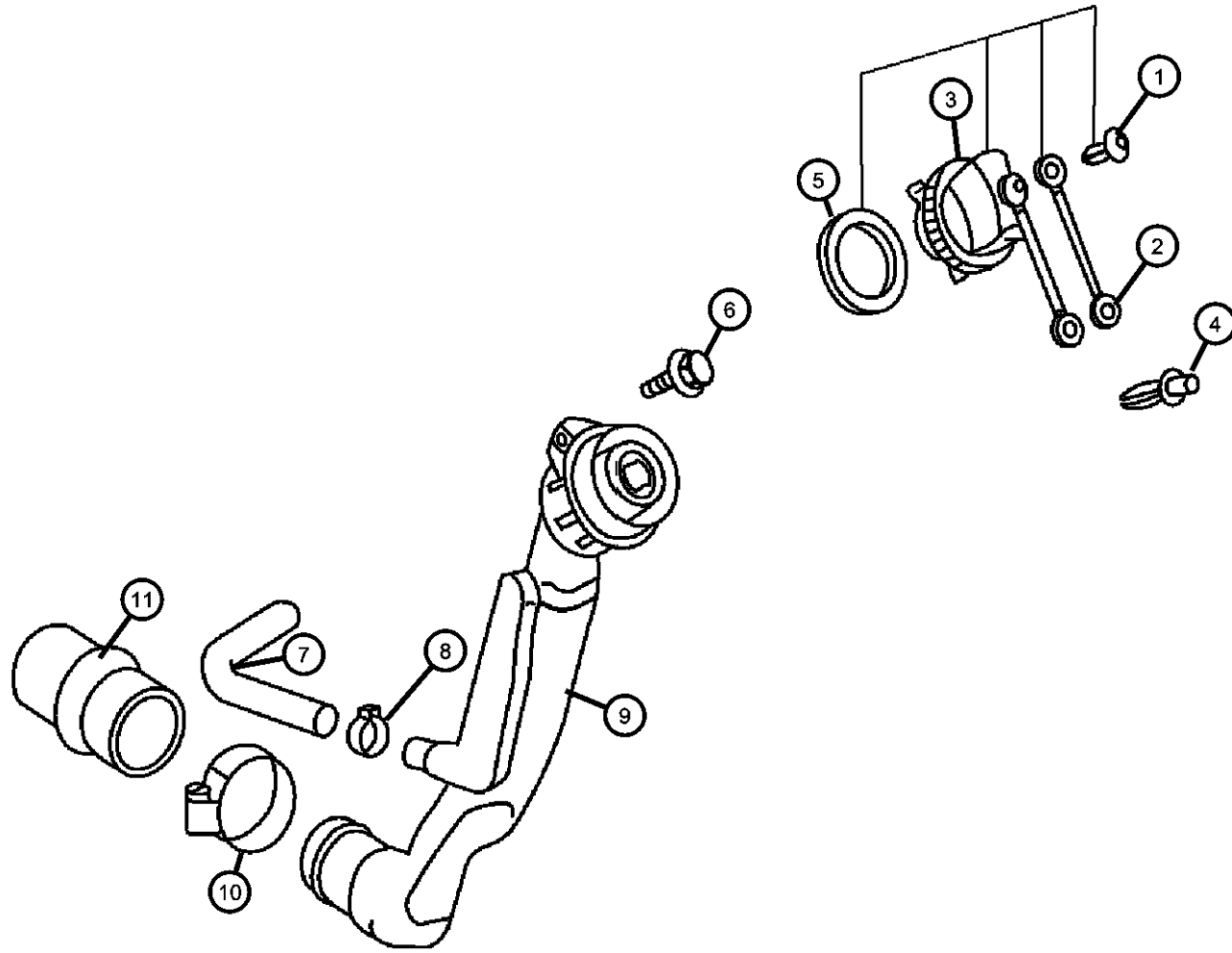
ITEM	PART NUMBER	QTY	LINE	SERIES	BODY	ENGINE	TRANS	TRIM	DESCRIPTION
Sales Codes:EX8=ENGINE-2.7L I5 MERCEDES TURBO DGJ=TRANSMISSION - 5-SPD AUTO									
1									VALVE, Vent
	05133917AA	1	3, 7	L	02, 06	EX8	DGZ		
		1	3, 7	L	12, 15, 16	EX8	DGZ		
2									PAD
	05133443AA	4	2, 6	L	01, 02, 06	EX8	DGZ		
		5	2, 6	L	11, 12, 14, 15, 16	EX8	DGZ		
		4	2, 6	L	51, 52, 54, 55, 56	EX8	DGZ		
		1	3, 7	L	02, 06	EX8	DGZ		
		5	3, 7	L	12, 15, 16	EX8	DGZ		
3									STRAP, Fuel Tank
	05104102AA	2	2, 6	L	01, 02, 06	EX8	DGZ		
		2	2, 6	L	11, 12, 14, 15, 16	EX8	DGZ		
		2	2, 6	L	51, 52, 54, 55, 56	EX8	DGZ		
		2	3, 7	L	02, 06	EX8	DGZ		
		2	3, 7	L	12, 15, 16	EX8	DGZ		
4									VALVE, Vent
	05133918AA	1	3, 7	L	02, 06	EX8	DGZ		
		1	3, 7	L	12, 15, 16	EX8	DGZ		
5									TANK, Fuel
	05119634AB	1	2, 6	L	01, 02, 06	EX8	DGZ		
		1	2, 6	L	11, 12, 14, 15, 16	EX8	DGZ		
		1	2, 6	L	51, 52, 54, 55, 56	EX8	DGZ		
		1	3, 7	L	02, 06	EX8	DGZ		
		1	3, 7	L	12, 15, 16	EX8	DGZ		

SPRINTER (VA)

SERIES	LINE	BODY	ENGINE	TRANSMISSION
L = LOWLINE	3 = HD DODGE 2WD 8 = HD DODGE 4WD 6 = Lt. Duty DODGE 4WD 2 = Med. Duty DODGE 2WD 7 = Med. Duty DODGE 4WD 4 = TRUCK	01 = CHASSIS FORWARD CONTROL W.B.1 02 = CAB CHASSIS WHEEL BASE 2 06 = CAB CHASSIS WHEEL BASE 6 11 = VAN WHEEL BASE 1 12 = VAN WHEEL BASE 2 51 = WAGON WHEEL BASE 1 52 = WAGON WHEEL BASE 2 14 = VAN WHEEL BASE 4 15 = VAN WHEEL BASE 5 54 = WAGON WHEEL BASE 4 55 = WAGON WHEEL BASE 5 56 = WAGON WHEEL BASE 6 16 = VAN WHEEL BASE 6	EX8 = 2.7L I5 Turbo Diesel Engine EX9 = 2.7L I5 Mercedes-Benz TD Engine	DGJ = 5-Speed Automatic MB Transmission DGZ = 4-Spd. Automatic MT643 Transmission

AR = use ase required - = Non illustrated part

**Fuel Tank Filler Tube
Figure 14-210**



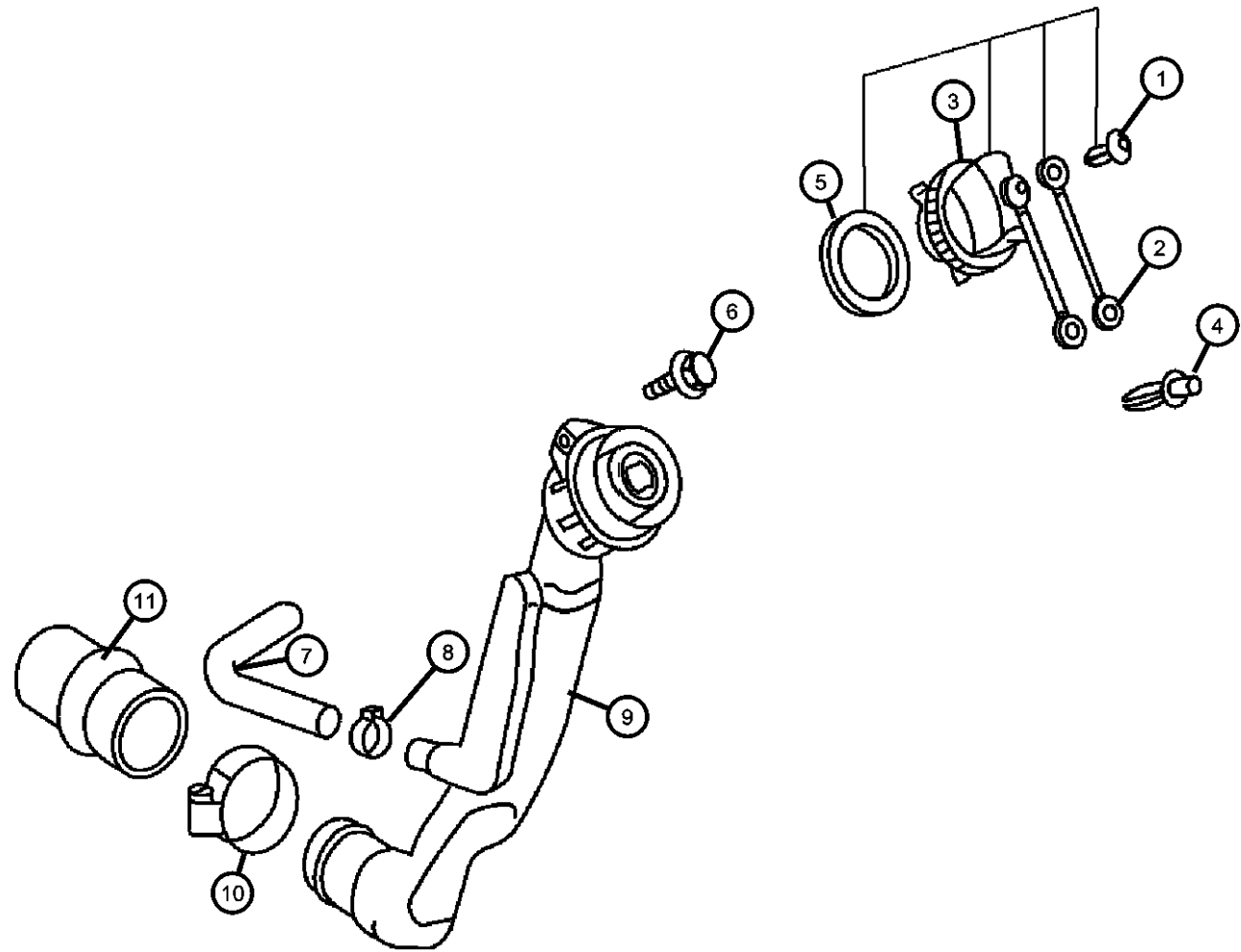
ITEM	PART NUMBER	QTY	LINE	SERIES	BODY	ENGINE	TRANS	TRIM	DESCRIPTION
Sales Codes:EX8=ENGINE-2.7L I5 MERCEDES TURBO DGJ=TRANSMISSION - 5-SPD AUTO									
1	06104903AA	1	3, 7	L	02, 06	EX8	DGZ		RIVET
		1	3, 7	L	12, 15, 16	EX8	DGZ		
2	05133915AA	1	2, 6	L	01, 02, 06	EX8	DGZ		TETHER, Fuel Filler Cap
		1	2, 6	L	11, 12, 14, 15, 16	EX8	DGZ		
		1	2, 6	L	51, 52, 54, 55, 56	EX8	DGZ		
		1	3, 7	L	02, 06	EX8	DGZ		
		1	3, 7	L	12, 15, 16	EX8	DGZ		
3	05119573AA	1	2, 6	L	01, 02, 06	EX8	DGZ		CAP, Fuel Filler
		1	2, 6	L	11, 12, 14, 15, 16	EX8	DGZ		
		1	2, 6	L	51, 52, 54, 55, 56	EX8	DGZ		
		1	3, 7	L	02, 06	EX8	DGZ		
		1	3, 7	L	12, 15, 16	EX8	DGZ		
4	05103787AA	1	2, 6	L	01, 02, 06	EX8	DGZ		RIVET
		1	2, 6	L	11, 12, 14, 15, 16	EX8	DGZ		
		1	2, 6	L	51, 52, 54, 55, 56	EX8	DGZ		
		1	3, 7	L	02, 06	EX8	DGZ		
		1	3, 7	L	12, 15, 16	EX8	DGZ		
5	05133916AA	1	3, 7	L	02, 06	EX8	DGZ		SEAL, Fuel Cap
		1	3, 7	L	12, 15, 16	EX8	DGZ		

SPRINTER (VA)

SERIES	LINE	BODY	ENGINE	TRANSMISSION
L = LOWLINE	3 = HD DODGE 2WD 8 = HD DODGE 4WD 6 = Lt. Duty DODGE 4WD 2 = Med. Duty DODGE 2WD 7 = Med. Duty DODGE 4WD 4 = TRUCK	01 = CHASSIS FORWARD CONTROL W.B.1 02 = CAB CHASSIS WHEEL BASE 2 06 = CAB CHASSIS WHEEL BASE 6 11 = VAN WHEEL BASE 1 12 = VAN WHEEL BASE 2 51 = WAGON WHEEL BASE 1 52 = WAGON WHEEL BASE 2 14 = VAN WHEEL BASE 4 15 = VAN WHEEL BASE 5 54 = WAGON WHEEL BASE 4 55 = WAGON WHEEL BASE 5 56 = WAGON WHEEL BASE 6 16 = VAN WHEEL BASE 6	EX8 = 2.7L I5 Turbo Diesel Engine EX9 = 2.7L I5 Mercedes-Benz TD Engine	DGJ = 5-Speed Automatic MB Transmission DGZ = 4-Spd. Automatic MT643 Transmission

AR = use ase required - = Non illustrated part

Fuel Tank Filler Tube
Figure 14-210



ITEM	PART NUMBER	QTY	LINE	SERIES	BODY	ENGINE	TRANS	TRIM	DESCRIPTION
6									SCREW, Fuel Filler Tube Mounting
	06104515AA	1	2, 6	L	01, 02, 06	EX8	DGZ		
		1	2, 6	L	11, 12, 14, 15, 16	EX8	DGZ		
		1	2, 6	L	51, 52, 54, 55, 56	EX8	DGZ		
		1	3, 7	L	02, 06	EX8	DGZ		
		1	3, 7	L	12, 15, 16	EX8	DGZ		
7									HOSE, Fuel Filler
	05135343AA	1	2, 6	L	01, 02, 06	EX8	DGZ		
		1	2, 6	L	11, 12, 14, 15, 16	EX8	DGZ		
		1	2, 6	L	51, 52, 54, 55, 56	EX8	DGZ		
		1	3, 7	L	02, 06	EX8	DGZ		
		1	3, 7	L	12, 15, 16	EX8	DGZ		
8									CLAMP
	06104780AA	2	2, 6	L	51, 52, 54, 55, 56	EX8	DGZ		
		1	2, 6	L	01, 02, 06	EX8	DGZ		
		1	2, 6	L	11, 12, 14, 15, 16	EX8	DGZ		
		2	3, 7	L	12, 15, 16	EX8	DGZ		
		1	3, 7	L	02, 06	EX8	DGZ		
9									TUBE, Fuel Filler
	05104103AA	1	2, 6	L	01, 02, 06	EX8	DGZ		
		1	2, 6	L	11, 12, 14, 15, 16	EX8	DGZ		
		1	2, 6	L	51, 52, 54, 55, 56	EX8	DGZ		
		1	3, 7	L	02, 06	EX8	DGZ		
		1	3, 7	L	12, 15, 16	EX8	DGZ		

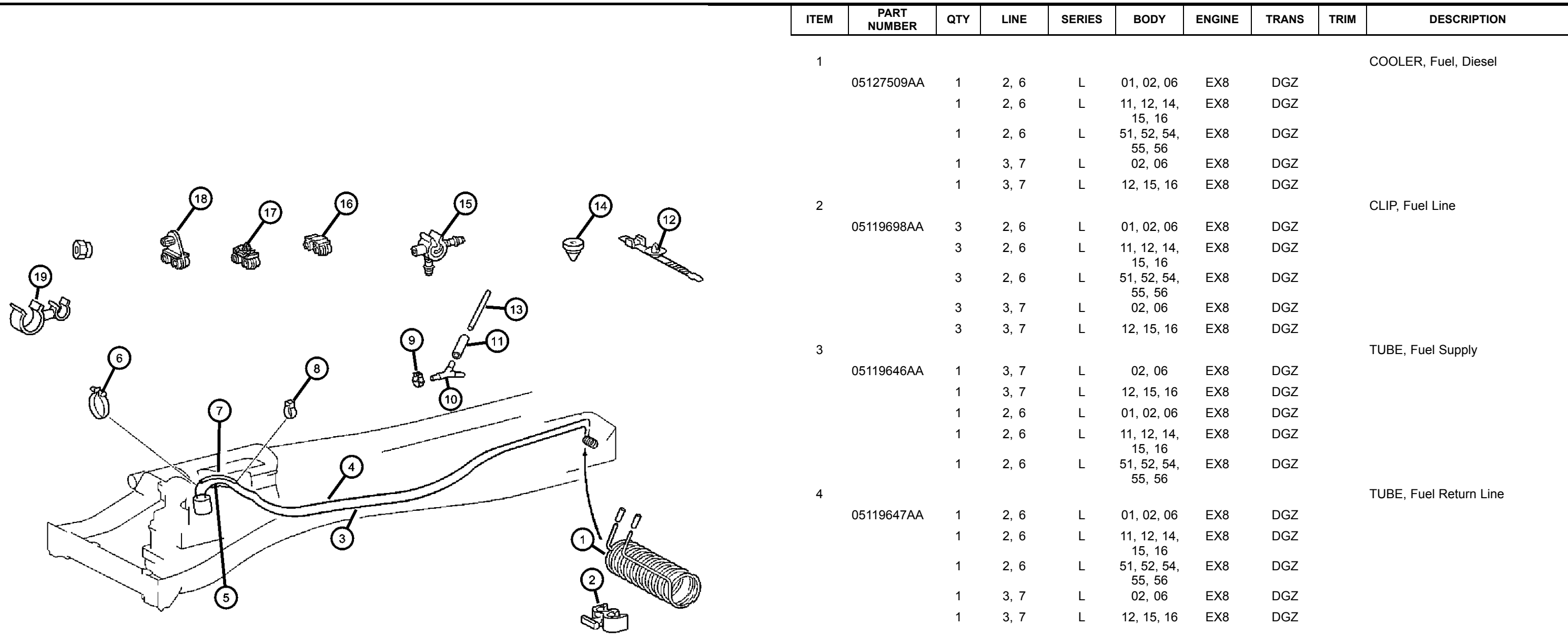
SPRINTER (VA)

SERIES	LINE	BODY	ENGINE	TRANSMISSION
L = LOWLINE	3 = HD DODGE 2WD 8 = HD DODGE 4WD 6 = Lt. Duty DODGE 4WD 2 = Med. Duty DODGE 2WD 7 = Med. Duty DODGE 4WD 4 = TRUCK	01 = CHASSIS FORWARD CONTROL W.B.1 02 = CAB CHASSIS WHEEL BASE 2 06 = CAB CHASSIS WHEEL BASE 6 11 = VAN WHEEL BASE 1 12 = VAN WHEEL BASE 2 51 = WAGON WHEEL BASE 1 52 = WAGON WHEEL BASE 2 14 = VAN WHEEL BASE 4 15 = VAN WHEEL BASE 5 54 = WAGON WHEEL BASE 4 55 = WAGON WHEEL BASE 5 56 = WAGON WHEEL BASE 6 16 = VAN WHEEL BASE 6	EX8 = 2.7L I5 Turbo Diesel Engine EX9 = 2.7L I5 Mercedes-Benz TD Engine	DGJ = 5-Speed Automatic MB Transmission DGZ = 4-Spd. Automatic MT643 Transmission

AR = use ase required - = Non illustrated part

2006 VA

Fuel Lines
Figure 14-310



ITEM	PART NUMBER	QTY	LINE	SERIES	BODY	ENGINE	TRANS	TRIM	DESCRIPTION
1	05127509AA	1	2, 6	L	01, 02, 06	EX8	DGZ		COOLER, Fuel, Diesel
		1	2, 6	L	11, 12, 14, 15, 16	EX8	DGZ		
		1	2, 6	L	51, 52, 54, 55, 56	EX8	DGZ		
		1	3, 7	L	02, 06	EX8	DGZ		
		1	3, 7	L	12, 15, 16	EX8	DGZ		
2	05119698AA	3	2, 6	L	01, 02, 06	EX8	DGZ		CLIP, Fuel Line
		3	2, 6	L	11, 12, 14, 15, 16	EX8	DGZ		
		3	2, 6	L	51, 52, 54, 55, 56	EX8	DGZ		
		3	3, 7	L	02, 06	EX8	DGZ		
		3	3, 7	L	12, 15, 16	EX8	DGZ		
3	05119646AA	1	3, 7	L	02, 06	EX8	DGZ		TUBE, Fuel Supply
		1	3, 7	L	12, 15, 16	EX8	DGZ		
		1	2, 6	L	01, 02, 06	EX8	DGZ		
		1	2, 6	L	11, 12, 14, 15, 16	EX8	DGZ		
		1	2, 6	L	51, 52, 54, 55, 56	EX8	DGZ		
4	05119647AA	1	2, 6	L	01, 02, 06	EX8	DGZ		TUBE, Fuel Return Line
		1	2, 6	L	11, 12, 14, 15, 16	EX8	DGZ		
		1	2, 6	L	51, 52, 54, 55, 56	EX8	DGZ		
		1	3, 7	L	02, 06	EX8	DGZ		
		1	3, 7	L	12, 15, 16	EX8	DGZ		

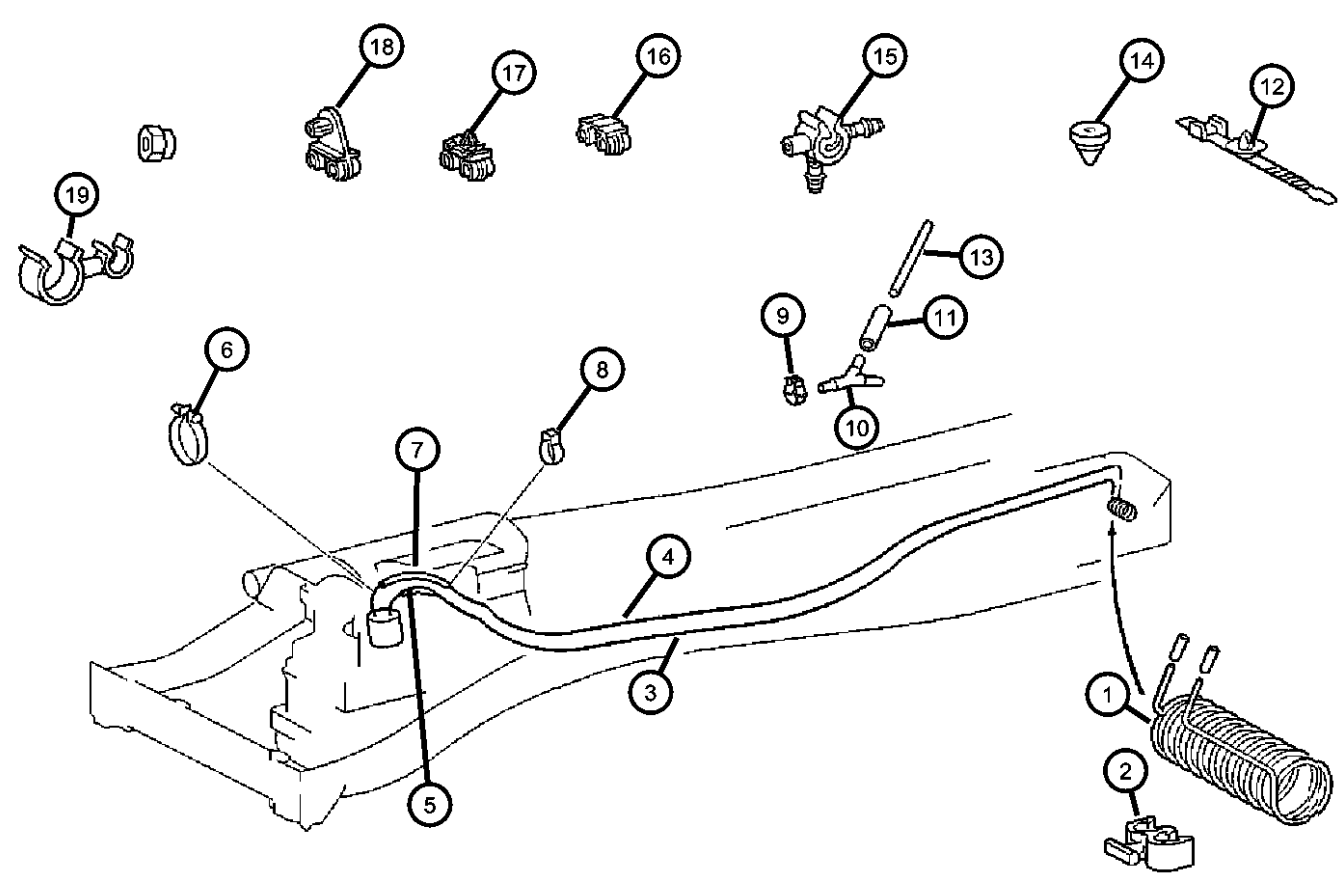
SPRINTER (VA)

SERIES	LINE	BODY	ENGINE	TRANSMISSION
L = LOWLINE	3 = HD DODGE 2WD 8 = HD DODGE 4WD 6 = Lt. Duty DODGE 4WD 2 = Med. Duty DODGE 2WD 7 = Med. Duty DODGE 4WD 4 = TRUCK	01 = CHASSIS FORWARD CONTROL W.B.1 02 = CAB CHASSIS WHEEL BASE 2 06 = CAB CHASSIS WHEEL BASE 6 11 = VAN WHEEL BASE 1 12 = VAN WHEEL BASE 2 51 = WAGON WHEEL BASE 1 52 = WAGON WHEEL BASE 2 14 = VAN WHEEL BASE 4 15 = VAN WHEEL BASE 5 54 = WAGON WHEEL BASE 4 55 = WAGON WHEEL BASE 5 56 = WAGON WHEEL BASE 6 16 = VAN WHEEL BASE 6	EX8 = 2.7L I5 Turbo Diesel Engine EX9 = 2.7L I5 Mercedes-Benz TD Engine	DGJ = 5-Speed Automatic MB Transmission DGZ = 4-Spd. Automatic MT643 Transmission

AR = use ase required - = Non illustrated part

Fuel Lines
Figure 14-310

ITEM	PART NUMBER	QTY	LINE	SERIES	BODY	ENGINE	TRANS	TRIM	DESCRIPTION
5	05137327AA	1	2, 3, 6, 7	L		EX8	DGZ		TUBE, Fuel
6	06104822AA	8	2, 6	L	01, 02, 06	EX8	DGZ		CLAMP, Hose
		8	2, 6	L	11, 12, 14, 15, 16	EX8	DGZ		
		8	2, 6	L	51, 52, 54, 55, 56	EX8	DGZ		
		8	3, 7	L	02, 06	EX8	DGZ		
		8	3, 7	L	12, 15, 16	EX8	DGZ		
7		8							HOSE, (NOT SERVICED)
8	05126025AA	1	3, 7	L	02, 06	EX8	DGZ		CLAMP, Hose
		2	2, 6	L	01, 02, 06	EX8	DGZ		
		2	2, 6	L	11, 12, 14, 15, 16	EX8	DGZ		
		1	2, 6	L	51, 52, 54, 55, 56	EX8	DGZ		
		1	3, 7	L	12, 15, 16	EX8	DGZ		
9	05126025AA	1	2, 6	L	51, 52, 54, 55, 56	EX8	DGZ		CLAMP, Hose
		1	2, 6	L	01, 02, 06	EX8	DGZ		
		2	2, 6	L	11, 12, 14, 15, 16	EX8	DGZ		
		1	3, 7	L	02, 06	EX8	DGZ		
		1	3, 7	L	12, 15, 16	EX8	DGZ		
10	05133920AA	1	2, 6	L	01, 02, 06	EX8	DGZ		CONNECTOR, Fuel Line
		1	2, 6	L	11, 12, 14, 15, 16	EX8	DGZ		
		1	2, 6	L	51, 52, 54, 55, 56	EX8	DGZ		

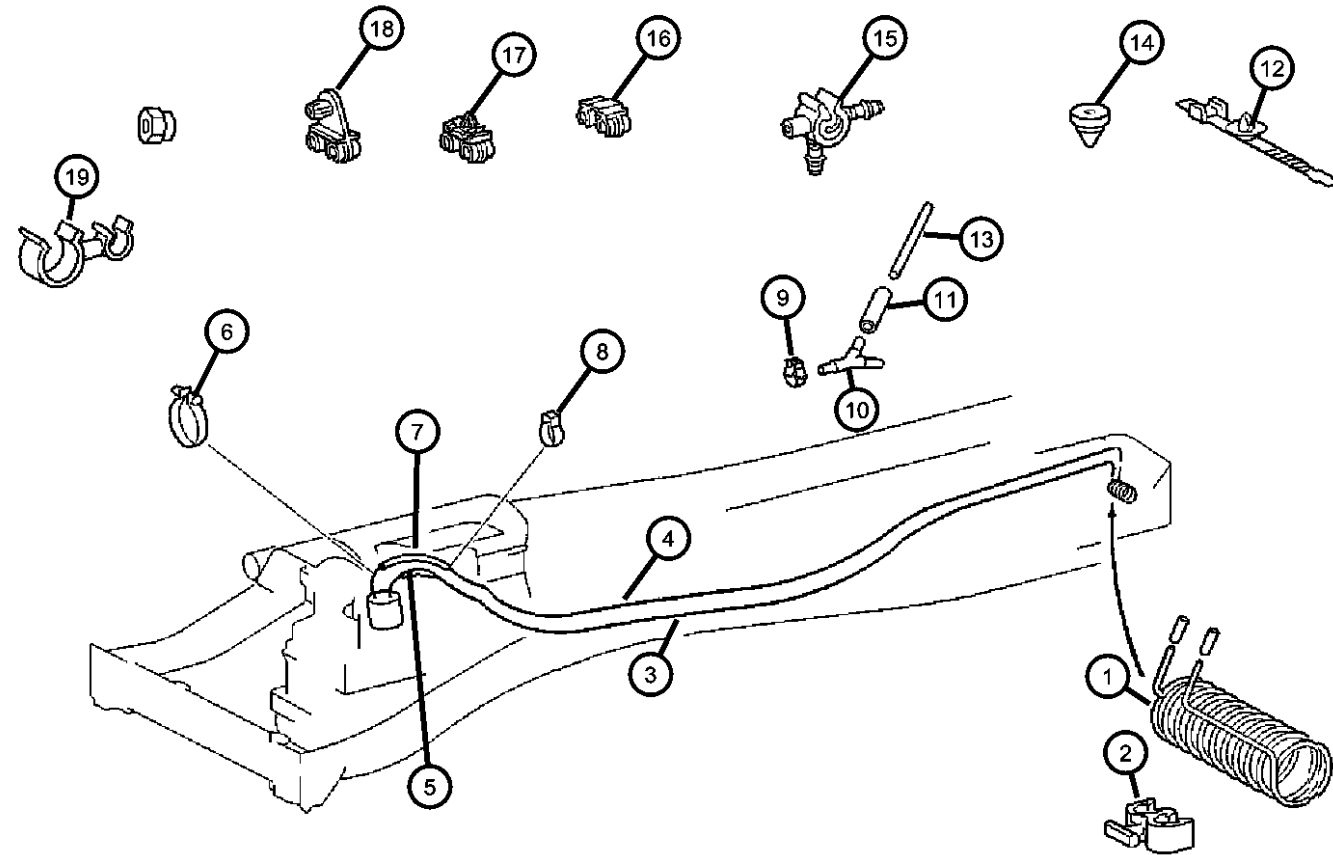


SPRINTER (VA)

SERIES	LINE	BODY	ENGINE	TRANSMISSION
L = LOWLINE	3 = HD DODGE 2WD 8 = HD DODGE 4WD 6 = Lt. Duty DODGE 4WD 2 = Med. Duty DODGE 2WD 7 = Med. Duty DODGE 4WD 4 = TRUCK	01 = CHASSIS FORWARD CONTROL W.B.1 02 = CAB CHASSIS WHEEL BASE 2 06 = CAB CHASSIS WHEEL BASE 6 11 = VAN WHEEL BASE 1 12 = VAN WHEEL BASE 2 51 = WAGON WHEEL BASE 1 52 = WAGON WHEEL BASE 2 14 = VAN WHEEL BASE 4 15 = VAN WHEEL BASE 5 54 = WAGON WHEEL BASE 4 55 = WAGON WHEEL BASE 5 56 = WAGON WHEEL BASE 6 16 = VAN WHEEL BASE 6	EX8 = 2.7L I5 Turbo Diesel Engine EX9 = 2.7L I5 Mercedes-Benz TD Engine	DGJ = 5-Speed Automatic MB Transmission DGZ = 4-Spd. Automatic MT643 Transmission

AR = use ase required - = Non illustrated part

Fuel Lines
Figure 14-310



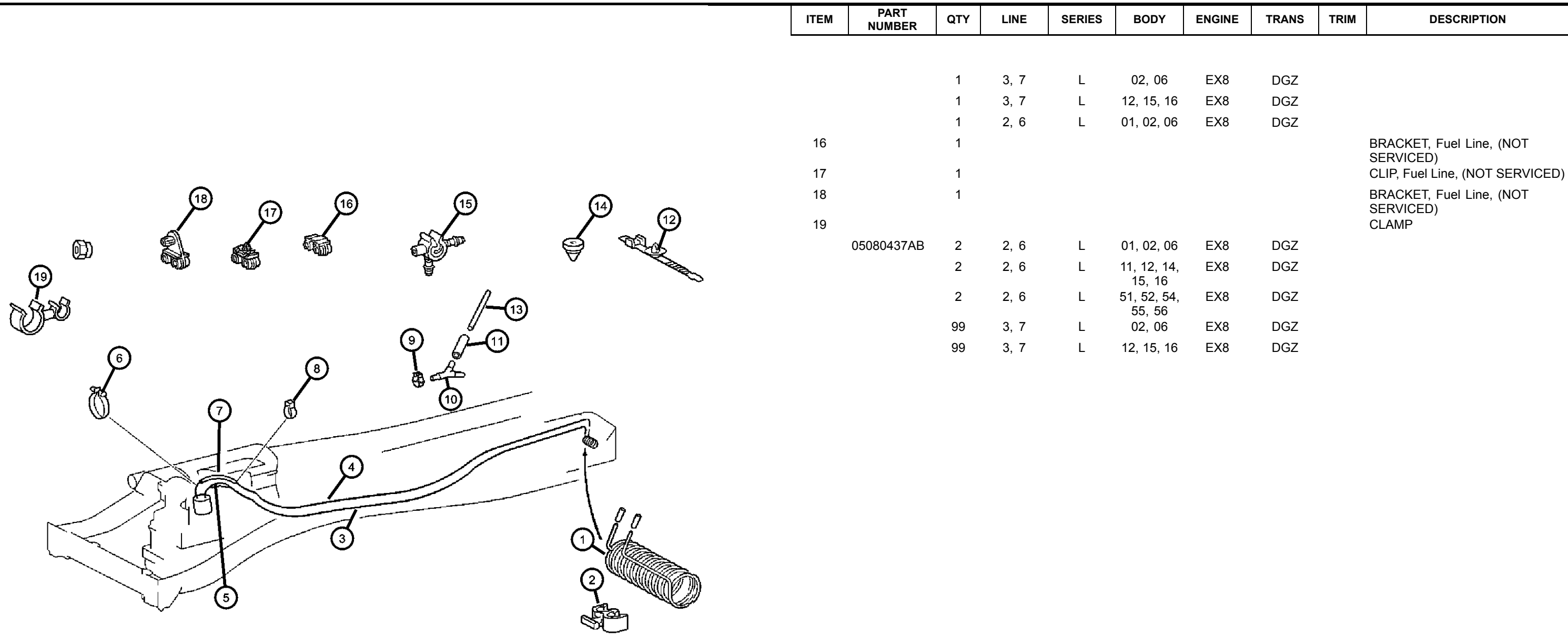
ITEM	PART NUMBER	QTY	LINE	SERIES	BODY	ENGINE	TRANS	TRIM	DESCRIPTION
11	05133919AB	1	2, 6	L	01, 02, 06	EX8	DGZ		HOSE 1 Meter Long
		1	2, 6	L	11, 12, 14, 15, 16	EX8	DGZ		1 Meter Long
		1	2, 6	L	51, 52, 54, 55, 56	EX8	DGZ		1 Meter Long
12	05126078AA	1	2, 6	L	01, 02, 06	EX8	DGZ		TIE STRAP, Push In
		1	2, 6	L	11, 12, 14, 15, 16	EX8	DGZ		
		1	2, 6	L	51, 52, 54, 55, 56	EX8	DGZ		
		1	3, 7	L	02, 06	EX8	DGZ		
		1	3, 7	L	12, 15, 16	EX8	DGZ		
13	05133633AA	100	2, 6	L	01, 02, 06	EX8	DGZ		PIPE, Fuel 1 Meter Long
		100	2, 6	L	11, 12, 14, 15, 16	EX8	DGZ		1 Meter Long
		100	2, 6	L	51, 52, 54, 55, 56	EX8	DGZ		1 Meter Long
14	05125501AA	2	2, 6	L	01, 02, 06	EX8	DGZ		BUMPER, Rubber
		2	2, 6	L	11, 12, 14, 15, 16	EX8	DGZ		
		2	2, 6	L	51, 52, 54, 55, 56	EX8	DGZ		
		1	3, 7	L	02, 06	EX8	DGZ		
		1	3, 7	L	12, 15, 16	EX8	DGZ		
15	06104924AA	1	2, 6	L	11, 12, 14, 15, 16	EX8	DGZ		CLIP, Retaining
		1	2, 6	L	51, 52, 54, 55, 56	EX8	DGZ		

SPRINTER (VA)

SERIES	LINE	BODY	ENGINE	TRANSMISSION
L = LOWLINE	3 = HD DODGE 2WD 8 = HD DODGE 4WD 6 = Lt. Duty DODGE 4WD 2 = Med. Duty DODGE 2WD 7 = Med. Duty DODGE 4WD 4 = TRUCK	01 = CHASSIS FORWARD CONTROL W.B.1 02 = CAB CHASSIS WHEEL BASE 2 06 = CAB CHASSIS WHEEL BASE 6 11 = VAN WHEEL BASE 1 12 = VAN WHEEL BASE 2 51 = WAGON WHEEL BASE 1 52 = WAGON WHEEL BASE 2 14 = VAN WHEEL BASE 4 15 = VAN WHEEL BASE 5 54 = WAGON WHEEL BASE 4 55 = WAGON WHEEL BASE 5 56 = WAGON WHEEL BASE 6 16 = VAN WHEEL BASE 6	EX8 = 2.7L I5 Turbo Diesel Engine EX9 = 2.7L I5 Mercedes-Benz TD Engine	DGJ = 5-Speed Automatic MB Transmission DGZ = 4-Spd. Automatic MT643 Transmission

AR = use ase required - = Non illustrated part

Fuel Lines
Figure 14-310



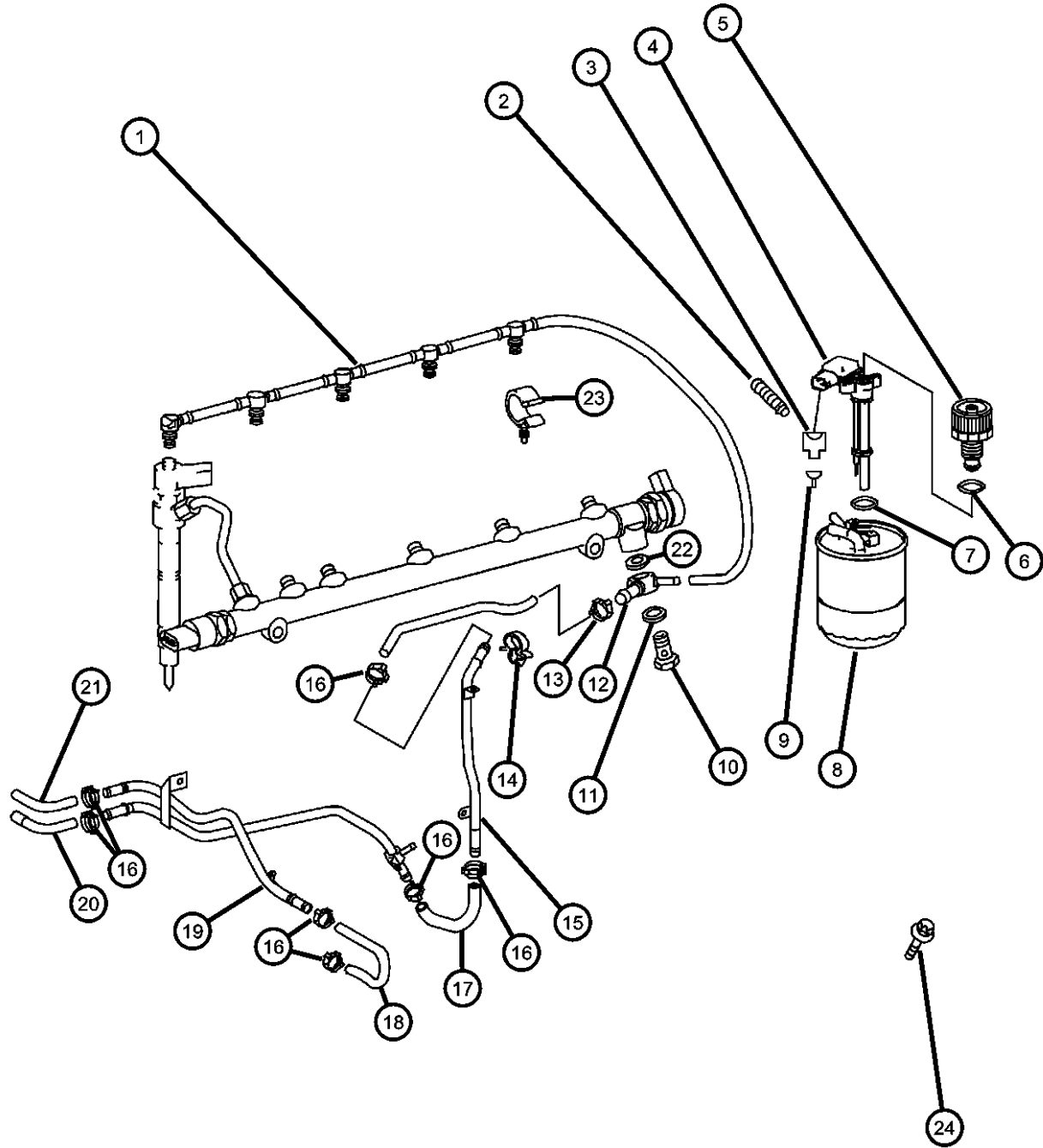
ITEM	PART NUMBER	QTY	LINE	SERIES	BODY	ENGINE	TRANS	TRIM	DESCRIPTION
		1	3, 7	L	02, 06	EX8	DGZ		
		1	3, 7	L	12, 15, 16	EX8	DGZ		
		1	2, 6	L	01, 02, 06	EX8	DGZ		
16		1							BRACKET, Fuel Line, (NOT SERVICED)
17		1							CLIP, Fuel Line, (NOT SERVICED)
18		1							BRACKET, Fuel Line, (NOT SERVICED)
19									CLAMP
	05080437AB	2	2, 6	L	01, 02, 06	EX8	DGZ		
		2	2, 6	L	11, 12, 14, 15, 16	EX8	DGZ		
		2	2, 6	L	51, 52, 54, 55, 56	EX8	DGZ		
		99	3, 7	L	02, 06	EX8	DGZ		
		99	3, 7	L	12, 15, 16	EX8	DGZ		

SPRINTER (VA)

SERIES	LINE	BODY	ENGINE	TRANSMISSION
L = LOWLINE	3 = HD DODGE 2WD 8 = HD DODGE 4WD 6 = Lt. Duty DODGE 4WD 2 = Med. Duty DODGE 2WD 7 = Med. Duty DODGE 4WD 4 = TRUCK	01 = CHASSIS FORWARD CONTROL W.B.1 02 = CAB CHASSIS WHEEL BASE 2 06 = CAB CHASSIS WHEEL BASE 6 11 = VAN WHEEL BASE 1 12 = VAN WHEEL BASE 2 51 = WAGON WHEEL BASE 1 52 = WAGON WHEEL BASE 2 14 = VAN WHEEL BASE 4 15 = VAN WHEEL BASE 5 54 = WAGON WHEEL BASE 4 55 = WAGON WHEEL BASE 5 56 = WAGON WHEEL BASE 6 16 = VAN WHEEL BASE 6	EX8 = 2.7L I5 Turbo Diesel Engine EX9 = 2.7L I5 Mercedes-Benz TD Engine	DGJ = 5-Speed Automatic MB Transmission DGZ = 4-Spd. Automatic MT643 Transmission

AR = use ase required - = Non illustrated part

Fuel Line and Filter
Figure 14-320



ITEM	PART NUMBER	QTY	LINE	SERIES	BODY	ENGINE	TRANS	TRIM	DESCRIPTION
1	05080487AA	1	2, 3, 6, 7	L		EX8	DGJ		TUBE
2	05135867AA	900	2, 3, 6, 7	L		EX8	DGZ		INSULATOR
3	05135845AA	1	2, 3, 6, 7	L		EX8	DGZ		CONNECTOR, Wiring Repair
4	05117542AA	1	2, 3, 6, 7	L		EX8	DGZ		SENSOR, Fuel/Water
5	05073900AA	1	2, 3, 6, 7	L		EX8	DGZ		SCREW
6	05179861AA	2	2, 3, 6, 7	L		EX8	DGZ		O RING
7	05138876AA	1	2, 3, 6, 7	L		EX8	DGZ		O RING
8	05170896AB	1	2, 3, 6, 7	L		EX8	DGZ		FILTER, Fuel
9	05135801AA	99	2, 3, 6, 7	L		EX8	DGZ		WIRING REPAIR KIT, Diesel Engine
10	05080339AA	1	2, 3, 6, 7	L		EX8	DGZ		BOLT, Banjo
11	05104625AA	2	2, 3, 6, 7	L		EX8	DGZ		O RING
12	05103977AA	1	2, 3, 6, 7	L		EX8	DGZ		UNION
13	05080439AB	2	2, 3, 6, 7	L		EX8	DGZ		CLAMP
14	05080091AB	1	2, 3, 6, 7	L		EX8	DGZ		CLAMP
15	05137327AA	1	2, 3, 6, 7	L		EX8	DGZ		TUBE, Fuel
16	05080439AB	2	2, 3, 6, 7	L		EX8	DGJ		CLAMP
17	05137356AA	1	2, 3, 6, 7	L		EX8	DGZ		HOSE, Fuel
18	05137341AB	1	2, 3, 6, 7	L		EX8	DGZ		HOSE, Fuel
19	05137332AA	1	2, 3, 6, 7	L		EX8	DGZ		TUBE
20	05174009AA	1	2, 3, 6, 7	L		EX8	DGZ		HOSE, Fuel
21	05174008AA	1	2, 3, 6, 7	L		EX8	DGZ		HOSE, Fuel
22	05104625AA	2	2, 3, 6, 7	L		EX8	DGZ		O RING
23	05080431AB	1	2, 3, 6, 7	L		EX8	DGZ		CLAMP
24	05073723AB	3	2, 3, 6, 7	L		EX8	DGZ		SCREW

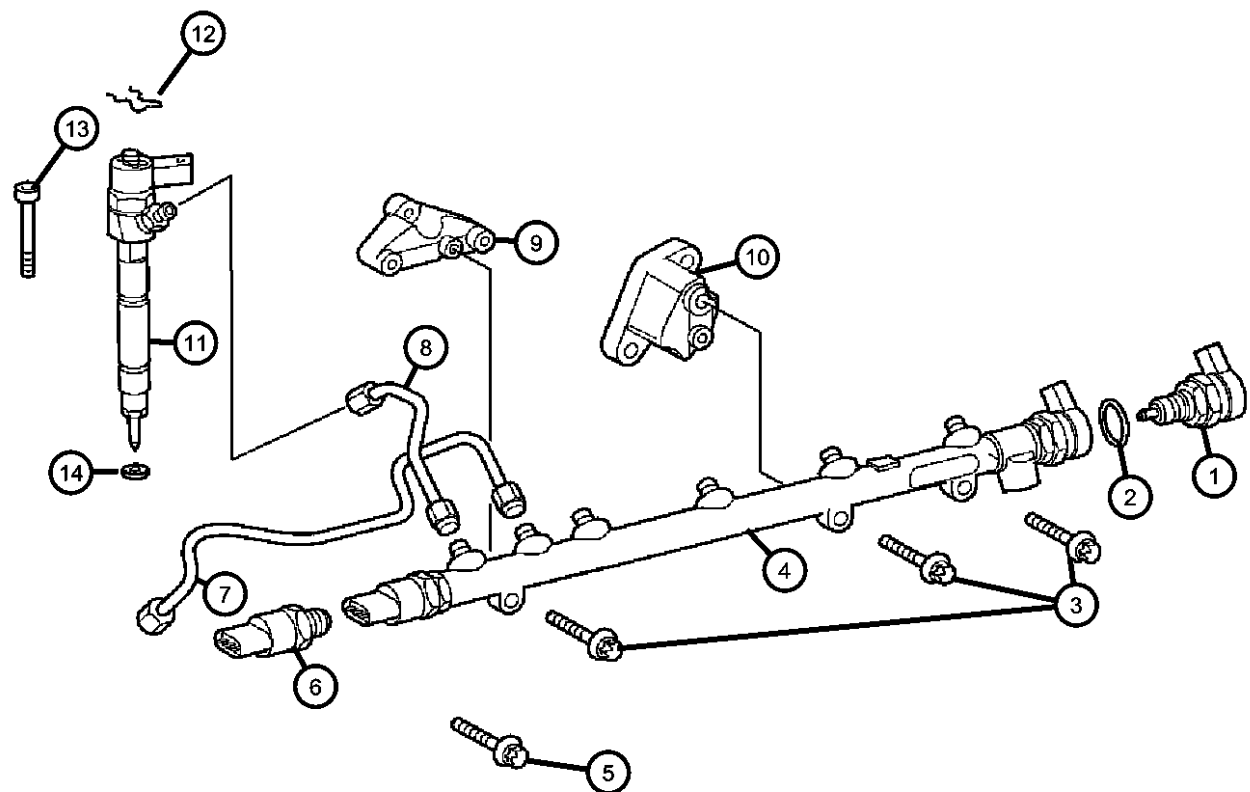
SPRINTER (VA)

SERIES	LINE	BODY	ENGINE	TRANSMISSION
L = LOWLINE	3 = HD DODGE 2WD 8 = HD DODGE 4WD 6 = Lt. Duty DODGE 4WD 2 = Med. Duty DODGE 2WD 7 = Med. Duty DODGE 4WD 4 = TRUCK	01 = CHASSIS FORWARD CONTROL W.B.1 02 = CAB CHASSIS WHEEL BASE 2 06 = CAB CHASSIS WHEEL BASE 6 11 = VAN WHEEL BASE 1 12 = VAN WHEEL BASE 2 51 = WAGON WHEEL BASE 1 52 = WAGON WHEEL BASE 2 14 = VAN WHEEL BASE 4 15 = VAN WHEEL BASE 5 54 = WAGON WHEEL BASE 4 55 = WAGON WHEEL BASE 5 56 = WAGON WHEEL BASE 6 16 = VAN WHEEL BASE 6	EX8 = 2.7L I5 Turbo Diesel Engine EX9 = 2.7L I5 Mercedes-Benz TD Engine	DGJ = 5-Speed Automatic MB Transmission DGZ = 4-Spd. Automatic MT643 Transmission

AR = use ase required - = Non illustrated part

Injection System [EX8]

Figure 14-410



ITEM	PART NUMBER	QTY	LINE	SERIES	BODY	ENGINE	TRANS	TRIM	DESCRIPTION
Sales Codes:EX9=ENGINE-2.7L I5 MERCEDES TURBO DGJ=TRANSMISSION - 5-SPD AUTO									
1	05137291AA	1	2, 3, 6, 7	L		EX8	DGZ		VALVE
2	05138007AA	1	2, 3, 6, 7	L		EX8	DGZ		O RING
3	05073701AA	3	2, 3, 6, 7	L		EX8	DGZ		SCREW
4	05137290AA	1	2, 3, 6, 7	L		EX8	DGZ		RAIL, Fuel
5	05073701AA	3	2, 3, 6, 7	L		EX8	DGZ		SCREW
6	05117543AA	1	2, 3, 6, 7	L		EX8	DGZ		SENDING UNIT, Fuel
7	05117421AA	1	2, 3, 6, 7	L		EX8	DGZ		TUBE, Fuel Injector Supply
8	05117422AA	5	2, 3, 6, 7	L		EX8	DGZ		TUBE, Fuel Injector Supply
9	05117449AA	1	2, 3, 6, 7	L		EX8	DGZ		CLIP, Fuel Injector
10	05117450AA	1	2, 3, 6, 7	L		EX8	DGZ		CLIP, Fuel Injector
11	05137297AA	5	2, 3, 6, 7	L		EX8	DGZ		INJECTOR, Fuel
12	05086296AA	5	2, 3, 6, 7	L		EX8	DGZ		CLIP, Fuel Injector
13	05073719AB	5	2, 3, 6, 7	L		EX8	DGZ		SCREW
14	05080301AA	5	2, 3, 6, 7	L		EX8	DGZ		O RING, Fuel Injector

SPRINTER (VA)

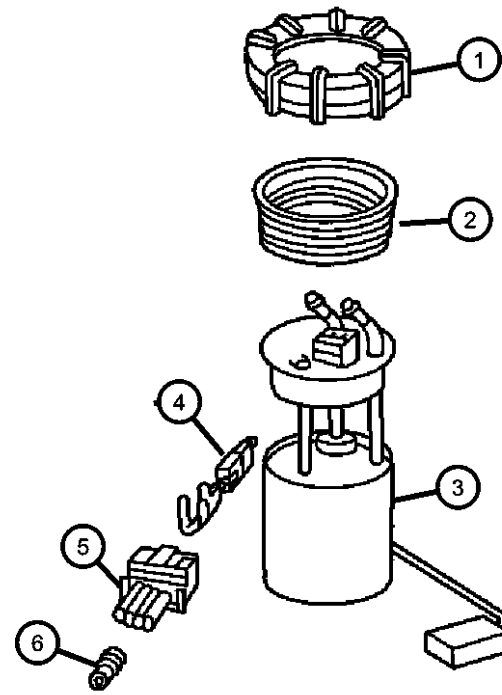
SERIES	LINE	BODY	ENGINE	TRANSMISSION
L = LOWLINE	3 = HD DODGE 2WD 8 = HD DODGE 4WD 6 = Lt. Duty DODGE 4WD 2 = Med. Duty DODGE 2WD 7 = Med. Duty DODGE 4WD 4 = TRUCK	01 = CHASSIS FORWARD CONTROL W.B.1 02 = CAB CHASSIS WHEEL BASE 2 06 = CAB CHASSIS WHEEL BASE 6 11 = VAN WHEEL BASE 1 12 = VAN WHEEL BASE 2 51 = WAGON WHEEL BASE 1 52 = WAGON WHEEL BASE 2 14 = VAN WHEEL BASE 4 15 = VAN WHEEL BASE 5 54 = WAGON WHEEL BASE 4 55 = WAGON WHEEL BASE 5 56 = WAGON WHEEL BASE 6 16 = VAN WHEEL BASE 6	EX8 = 2.7L I5 Turbo Diesel Engine EX9 = 2.7L I5 Mercedes-Benz TD Engine	DGJ = 5-Speed Automatic MB Transmission DGZ = 4-Spd. Automatic MT643 Transmission

AR = use ase required - = Non illustrated part

Fuel Module
Figure 14-510

ITEM	PART NUMBER	QTY	LINE	SERIES	BODY	ENGINE	TRANS	TRIM	DESCRIPTION
------	-------------	-----	------	--------	------	--------	-------	------	-------------

Sales Codes:EX8=2.7L I5 MERCEDES-BENZ
DGJ=TRANSMISSION - 5-SPD AUTO



1									NUT, Fuel Pump Module
	05104539AA	1	2, 6	L	01, 02, 06	EX8	DGZ		
		1	2, 6	L	11, 12, 14, 15, 16	EX8	DGZ		
		1	2, 6	L	51, 52, 54, 55, 56	EX8	DGZ		
		1	3, 7	L	02, 06	EX8	DGZ		
		1	3, 7	L	12, 15, 16	EX8	DGZ		
2									SEAL, Fuel Pump and Level Unit
	05119613AA	1	2, 6	L	01, 02, 06	EX8	DGZ		
		1	2, 6	L	11, 12, 14, 15, 16	EX8	DGZ		
		1	2, 6	L	51, 52, 54, 55, 56	EX8	DGZ		
		1	3, 7	L	02, 06	EX8	DGZ		
		1	3, 7	L	12, 15, 16	EX8	DGZ		
3									MODULE, Fuel Tank - Diesel
	05119605AA	1	2, 6	L	01, 02, 06	EX8	DGZ		
		1	2, 6	L	11, 12, 14, 15, 16	EX8	DGZ		
		1	2, 6	L	51, 52, 54, 55, 56	EX8	DGZ		
		1	3, 7	L	02, 06	EX8	DGZ		
		1	3, 7	L	12, 15, 16	EX8	DGZ		
	05119607AA	1	2, 6	L	01, 02, 06	EX8	DGZ		With Heater Booster
		1	2, 6	L	11, 12, 14, 15, 16	EX8	DGZ		With Heater Booster
		1	2, 6	L	51, 52, 54, 55, 56	EX8	DGZ		With Heater Booster
		1	3, 7	L	02, 06	EX8	DGZ		With Heater Booster
		1	3, 7	L	12, 15, 16	EX8	DGZ		With Heater Booster

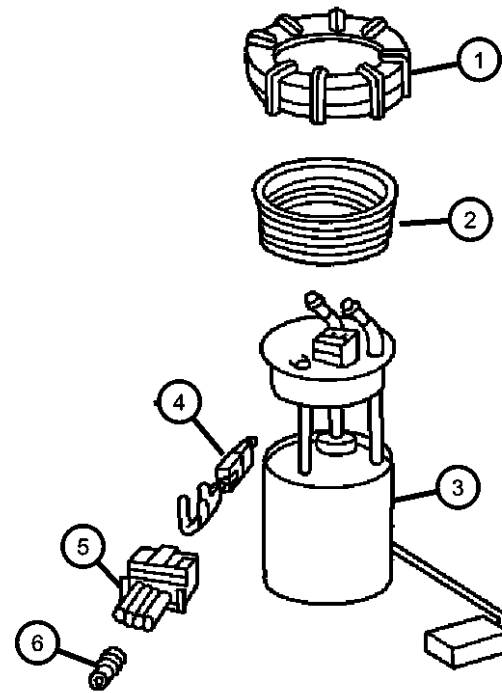
SPRINTER (VA)

SERIES	LINE	BODY	ENGINE	TRANSMISSION
L = LOWLINE	3 = HD DODGE 2WD 8 = HD DODGE 4WD 6 = Lt. Duty DODGE 4WD 2 = Med. Duty DODGE 2WD 7 = Med. Duty DODGE 4WD 4 = TRUCK	01 = CHASSIS FORWARD CONTROL W.B.1 02 = CAB CHASSIS WHEEL BASE 2 06 = CAB CHASSIS WHEEL BASE 6 11 = VAN WHEEL BASE 1 12 = VAN WHEEL BASE 2 51 = WAGON WHEEL BASE 1 52 = WAGON WHEEL BASE 2 14 = VAN WHEEL BASE 4 15 = VAN WHEEL BASE 5 54 = WAGON WHEEL BASE 4 55 = WAGON WHEEL BASE 5 56 = WAGON WHEEL BASE 6 16 = VAN WHEEL BASE 6	EX8 = 2.7L I5 Turbo Diesel Engine EX9 = 2.7L I5 Mercedes-Benz TD Engine	DGJ = 5-Speed Automatic MB Transmission DGZ = 4-Spd. Automatic MT643 Transmission

AR = use ase required - = Non illustrated part

2006 VA

Fuel Module
Figure 14-510



ITEM	PART NUMBER	QTY	LINE	SERIES	BODY	ENGINE	TRANS	TRIM	DESCRIPTION
4									TERMINAL
	05102935AA	99	2, 6	L	11, 12, 14, 15, 16	EX8	DGZ		
		99	2, 6	L	51, 52, 54, 55, 56	EX8	DGZ		
		99	3, 7	L	02, 06	EX8	DGZ		
		99	3, 7	L	12, 15, 16	EX8	DGZ		
		1	3, 7	L	02, 06	EX8	DGZ		
5									CONNECTOR
	05120544AA	1	2, 6	L	01, 02, 06	EX8	DGZ		
		1	2, 6	L	11, 12, 14, 15, 16	EX8	DGZ		
		1	2, 6	L	51, 52, 54, 55, 56	EX8	DGZ		
		1	3, 7	L	02, 06	EX8	DGZ		
		1	3, 7	L	12, 15, 16	EX8	DGZ		
6									GASKET
	05103661AA	99	2, 6	L	01, 02, 06	EX8	DGZ		
		99	2, 6	L	11, 12, 14, 15, 16	EX8	DGZ		
		99	2, 6	L	51, 52, 54, 55, 56	EX8	DGZ		
		1	3, 7	L	02, 06	EX8	DGZ		
		1	3, 7	L	12, 15, 16	EX8	DGZ		

SPRINTER (VA)

SERIES

L = LOWLINE

LINE

3 = HD DODGE 2WD
8 = HD DODGE 4WD
6 = Lt. Duty DODGE 4WD
2 = Med. Duty DODGE 2WD
7 = Med. Duty DODGE 4WD
4 = TRUCK

BODY

01 = CHASSIS FORWARD CONTROL W.B.1
02 = CAB CHASSIS WHEEL BASE 2
06 = CAB CHASSIS WHEEL BASE 6
11 = VAN WHEEL BASE 1
12 = VAN WHEEL BASE 2
51 = WAGON WHEEL BASE 1
52 = WAGON WHEEL BASE 2
14 = VAN WHEEL BASE 4
15 = VAN WHEEL BASE 5
54 = WAGON WHEEL BASE 4
55 = WAGON WHEEL BASE 5
56 = WAGON WHEEL BASE 6
16 = VAN WHEEL BASE 6

ENGINE

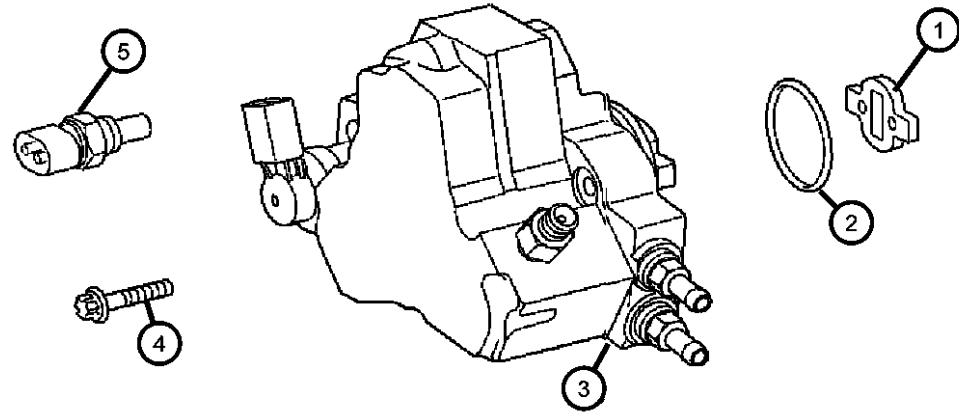
EX8 = 2.7L I5 Turbo Diesel Engine
EX9 = 2.7L I5 Mercedes-Benz TD Engine

TRANSMISSION

DGJ = 5-Speed Automatic MB Transmission
DGZ = 4-Spd. Automatic MT643 Transmission

**Fuel Injection Pump [EX8]
Figure 14-610**

ITEM	PART NUMBER	QTY	LINE	SERIES	BODY	ENGINE	TRANS	TRIM	DESCRIPTION
Sales Codes:EX8=2.7L I5 MERCEDES-BENZ DGJ=TRANSMISSION - 5-SPD AUTO									
1	05103610AA	1	2, 3, 6, 7	L		EX8	DGZ		DRIVE, Fuel Pump
2	05080115AA	1	2, 3, 6, 7	L		EX8	DGZ		O RING
3	05142257AA	0	2, 3, 6, 7	L		EX8	DGZ		PUMP, Injection
4									SCREW
	05125738AA	1	2, 6	L	11, 12, 14, 15, 16	EX8	DGZ		
		1	2, 6	L	51, 52, 54, 55, 56	EX8	DGZ		
		1	2, 6	L	01, 02, 06	EX8	DGZ		
		1	3, 7	L	02, 06	EX8	DGZ		
		1	3, 7	L	12, 15, 16	EX8	DGZ		
5	05103534AB	1	2, 3, 6, 7	L		EX8	DGZ		SENDING UNIT, Temperature Gauge
-6	05175767AA	1	2, 3, 6, 7	L		EX8	DGZ		VALVE, Flow Control



SPRINTER (VA)

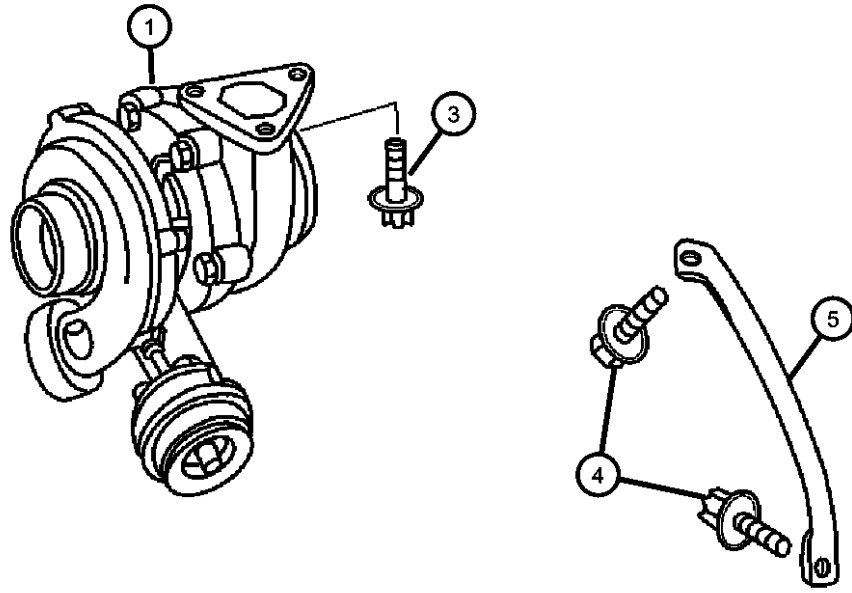
SERIES	LINE	BODY	ENGINE	TRANSMISSION
L = LOWLINE	3 = HD DODGE 2WD 8 = HD DODGE 4WD 6 = Lt. Duty DODGE 4WD 2 = Med. Duty DODGE 2WD 7 = Med. Duty DODGE 4WD 4 = TRUCK	01 = CHASSIS FORWARD CONTROL W.B.1 02 = CAB CHASSIS WHEEL BASE 2 06 = CAB CHASSIS WHEEL BASE 6 11 = VAN WHEEL BASE 1 12 = VAN WHEEL BASE 2 51 = WAGON WHEEL BASE 1 52 = WAGON WHEEL BASE 2 14 = VAN WHEEL BASE 4 15 = VAN WHEEL BASE 5 54 = WAGON WHEEL BASE 4 55 = WAGON WHEEL BASE 5 56 = WAGON WHEEL BASE 6 16 = VAN WHEEL BASE 6	EX8 = 2.7L I5 Turbo Diesel Engine EX9 = 2.7L I5 Mercedes-Benz TD Engine	DGJ = 5-Speed Automatic MB Transmission DGZ = 4-Spd. Automatic MT643 Transmission

AR = use ase required - = Non illustrated part

2006 VA

Turbo Charger
Figure 14-630

ITEM	PART NUMBER	QTY	LINE	SERIES	BODY	ENGINE	TRANS	TRIM	DESCRIPTION
Sales Codes:EX8=ENGINE-2.7L I5 MERCEDES TURBO DGJ=TRANSMISSION - 5-SPD AUTO									
1	05142494AA	1	2, 3, 6, 7	L		EX8	DGZ		TURBOCHARGER
-2	05117529AA	1	2, 3, 6, 7	L		EX8	DGZ		GASKET, Exhaust Manifold To Turbo
3	05073720AC	3	2, 3, 6, 7	L		EX8	DGZ		SCREW
4	05073720AA	3	2, 3, 6, 7	L		EX8	DGZ		SCREW
5	05137201AA	1	2, 3, 6, 7	L		EX8	DGZ		BRACKET, Turbo Charger
-6	05137154AA	1	2, 3, 6, 7	L		EX8	DGZ		RESONATOR, Turbo, See Group 7 ILL#130
-7									O RING
	05139047AA	1	2, 6	L	01, 02, 06	EX8	DGZ		
		1	2, 6	L	11, 12, 14, 15, 16	EX8	DGZ		
		1	2, 6	L	51, 52, 54, 55, 56	EX8	DGZ		
		1	7, 3	L	02, 06	EX8	DGZ		
		1	3, 7	L	12, 15, 16	EX8	DGZ		
-8	05138048AA	1	2, 3, 6, 7	L		EX8	DGZ		O RING



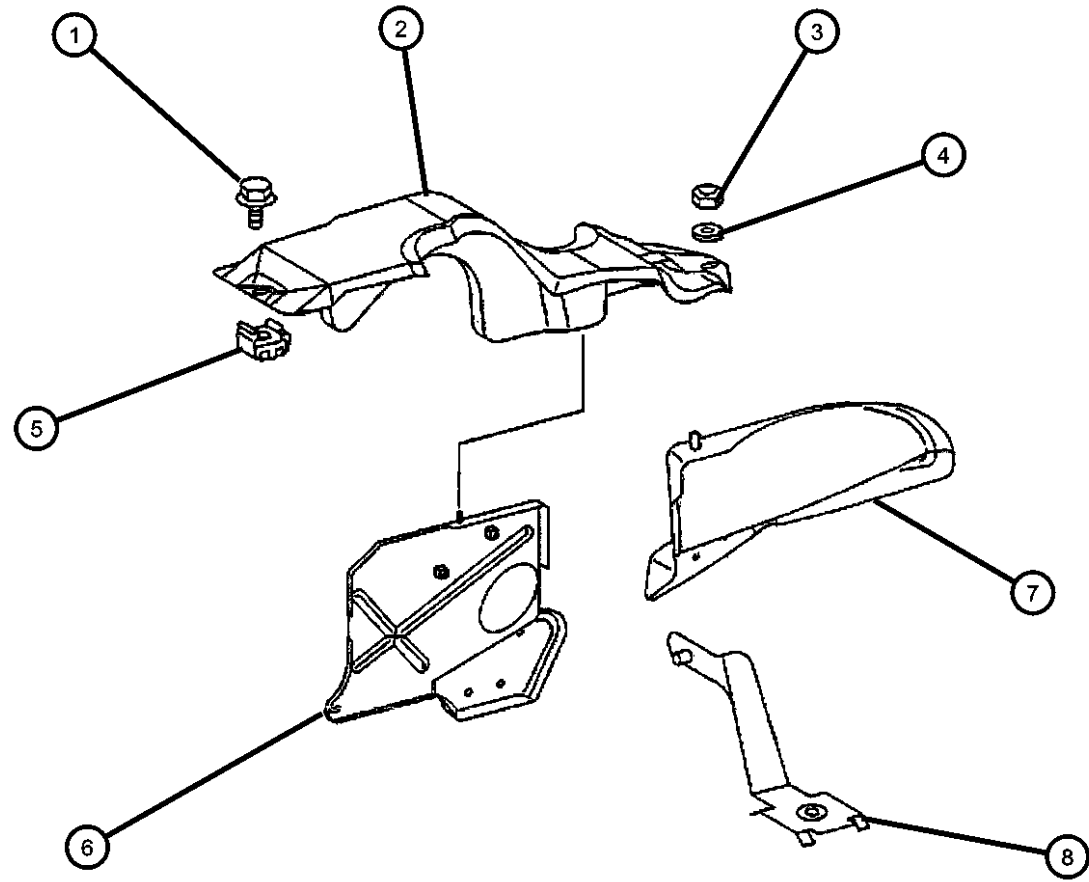
SPRINTER (VA)

SERIES	LINE	BODY	ENGINE	TRANSMISSION
L = LOWLINE	3 = HD DODGE 2WD 8 = HD DODGE 4WD 6 = Lt. Duty DODGE 4WD 2 = Med. Duty DODGE 2WD 7 = Med. Duty DODGE 4WD 4 = TRUCK	01 = CHASSIS FORWARD CONTROL W.B.1 02 = CAB CHASSIS WHEEL BASE 2 06 = CAB CHASSIS WHEEL BASE 6 11 = VAN WHEEL BASE 1 12 = VAN WHEEL BASE 2 51 = WAGON WHEEL BASE 1 52 = WAGON WHEEL BASE 2 14 = VAN WHEEL BASE 4 15 = VAN WHEEL BASE 5 54 = WAGON WHEEL BASE 4 55 = WAGON WHEEL BASE 5 56 = WAGON WHEEL BASE 6 16 = VAN WHEEL BASE 6	EX8 = 2.7L I5 Turbo Diesel Engine EX9 = 2.7L I5 Mercedes-Benz TD Engine	DGJ = 5-Speed Automatic MB Transmission DGZ = 4-Spd. Automatic MT643 Transmission

AR = use ase required - = Non illustrated part

2006 VA

**Turbo Charger Heat Shield
Figure 14-635**



ITEM	PART NUMBER	QTY	LINE	SERIES	BODY	ENGINE	TRANS	TRIM	DESCRIPTION
1	06104179AA	1	2, 6	L	51, 52, 54, 55, 56	EX8	DGZ		BOLT
		1	3, 7	L	02, 06	EX8	DGZ		
		1	3, 7	L	12, 15, 16	EX8	DGZ		
		1	2, 6	L	01, 02, 06	EX8	DGZ		
		1	2, 6	L	11, 12, 14, 15, 16	EX8	DGZ		
2	05104138AA	1	2, 6	L	01, 02, 06	EX8	DGZ		COVER, Turbo Charger Compressor
		1	2, 6	L	11, 12, 14, 15, 16	EX8	DGZ		
		1	2, 6	L	51, 52, 54, 55, 56	EX8	DGZ		
		1	3, 7	L	02, 06	EX8	DGZ		
		1	3, 7	L	12, 15, 16	EX8	DGZ		
3	05097674AA	1	2, 6	L	01, 02, 06	EX8	DGZ		NUT, Hex
		1	2, 6	L	11, 12, 14, 15, 16	EX8	DGZ		
		1	2, 6	L	51, 52, 54, 55, 56	EX8	DGZ		
		1	3, 7	L	02, 06	EX8	DGZ		
		1	3, 7	L	12, 15, 16	EX8	DGZ		
4	05133908AA	2	2, 6	L	01, 02, 06	EX8	DGZ		WASHER Only Need Quantity Of 1
		2	2, 6	L	11, 12, 14, 15, 16	EX8	DGZ		Only Need Quantity Of 1
		2	2, 6	L	51, 52, 54, 55, 56	EX8	DGZ		Only Need Quantity Of 1
		2	3, 7	L	02, 06	EX8	DGZ		Only Need Quantity Of 1
		2	3, 7	L	12, 15, 16	EX8	DGZ		Only Need Quantity Of 1

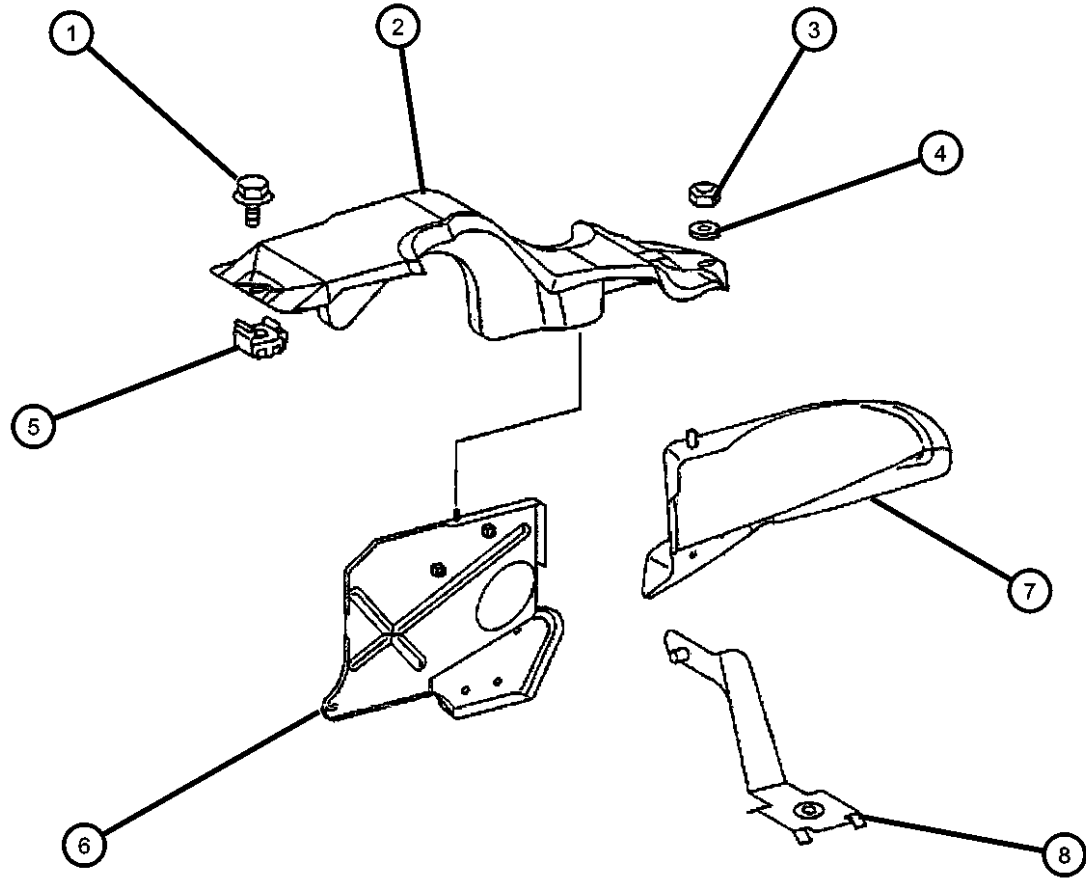
SPRINTER (VA)

SERIES	LINE	BODY	ENGINE	TRANSMISSION
L = LOWLINE	3 = HD DODGE 2WD 8 = HD DODGE 4WD 6 = Lt. Duty DODGE 4WD 2 = Med. Duty DODGE 2WD 7 = Med. Duty DODGE 4WD 4 = TRUCK	01 = CHASSIS FORWARD CONTROL W.B.1 02 = CAB CHASSIS WHEEL BASE 2 06 = CAB CHASSIS WHEEL BASE 6 11 = VAN WHEEL BASE 1 12 = VAN WHEEL BASE 2 51 = WAGON WHEEL BASE 1 52 = WAGON WHEEL BASE 2 14 = VAN WHEEL BASE 4 15 = VAN WHEEL BASE 5 54 = WAGON WHEEL BASE 4 55 = WAGON WHEEL BASE 5 56 = WAGON WHEEL BASE 6 16 = VAN WHEEL BASE 6	EX8 = 2.7L I5 Turbo Diesel Engine EX9 = 2.7L I5 Mercedes-Benz TD Engine	DGJ = 5-Speed Automatic MB Transmission DGZ = 4-Spd. Automatic MT643 Transmission

AR = use ase required - = Non illustrated part

**Turbo Charger Heat Shield
Figure 14-635**

ITEM	PART NUMBER	QTY	LINE	SERIES	BODY	ENGINE	TRANS	TRIM	DESCRIPTION
5									NUT
	05126253AA	1	2, 6	L	01, 02, 06	EX8	DGZ		
		1	2, 6	L	11, 12, 14, 15, 16	EX8	DGZ		
		1	2, 6	L	51, 52, 54, 55, 56	EX8	DGZ		
		1	3, 7	L	02, 06	EX8	DGZ		
		1	3, 7	L	12, 15, 16	EX8	DGZ		
6									COVER, Air Inlet
	05120028AA	1	2, 6	L	01, 02, 06	EX8	DGZ		
		1	2, 6	L	11, 12, 14, 15, 16	EX8	DGZ		
		1	2, 6	L	51, 52, 54, 55, 56	EX8	DGZ		
		1	3, 7	L	02, 06	EX8	DGZ		
		1	3, 7	L	12, 15, 16	EX8	DGZ		
7									COVER, Air Inlet
	05120025AA	1	2, 6	L	01, 02, 06	EX8	DGZ		
		1	2, 6	L	11, 12, 14, 15, 16	EX8	DGZ		
		1	3, 7	L	12, 15, 16	EX8	DGZ		
		1	2, 6	L	51, 52, 54, 55, 56	EX8	DGZ		
		1	3, 7	L	02, 06	EX8	DGZ		
8									BRACKET, Air Inlet
	05120059AA	1	2, 6	L	01, 02, 06	EX8	DGZ		
		1	2, 6	L	11, 12, 14, 15, 16	EX8	DGZ		
		1	2, 6	L	51, 52, 54, 55, 56	EX8	DGZ		
		1	3, 7	L	02, 06	EX8	DGZ		
		1	3, 7	L	12, 15, 16	EX8	DGZ		

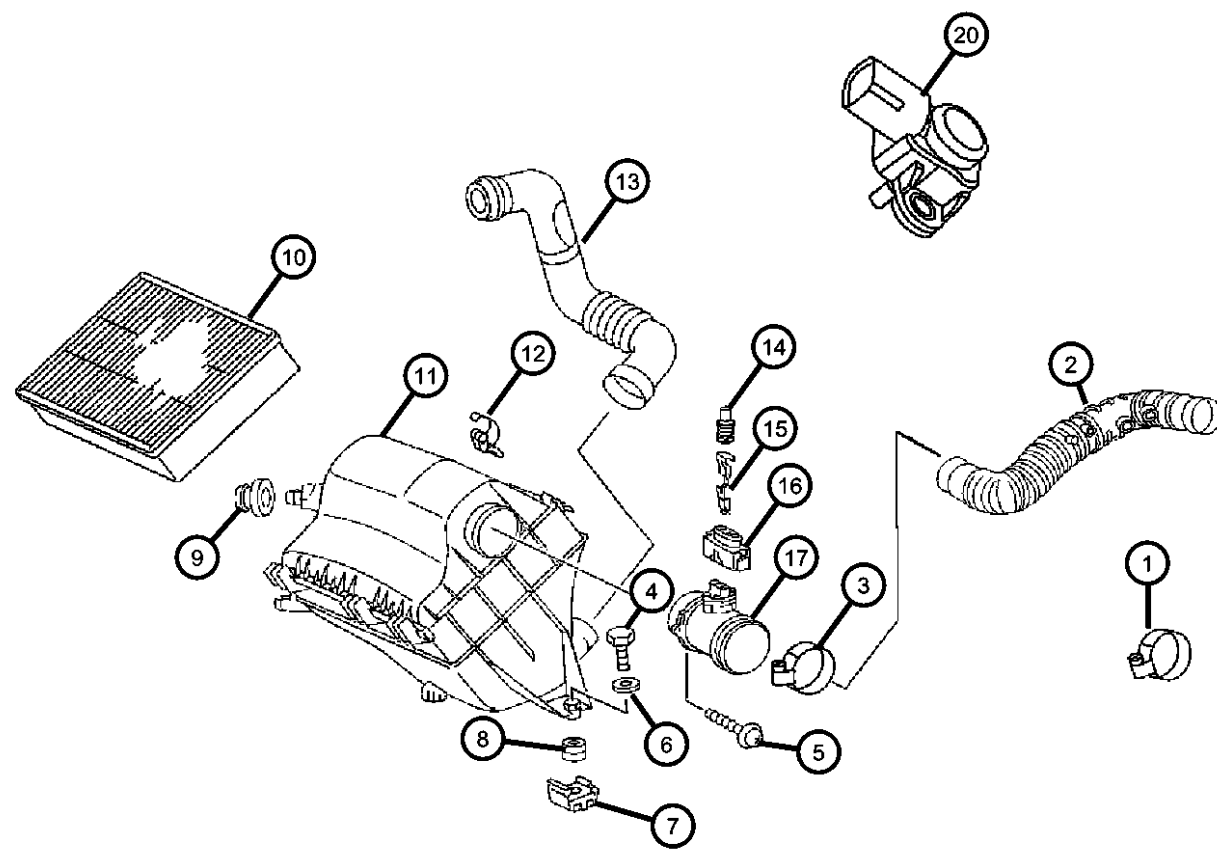


SPRINTER (VA)

SERIES	LINE	BODY	ENGINE	TRANSMISSION
L = LOWLINE	3 = HD DODGE 2WD 8 = HD DODGE 4WD 6 = Lt. Duty DODGE 4WD 2 = Med. Duty DODGE 2WD 7 = Med. Duty DODGE 4WD 4 = TRUCK	01 = CHASSIS FORWARD CONTROL W.B.1 02 = CAB CHASSIS WHEEL BASE 2 06 = CAB CHASSIS WHEEL BASE 6 11 = VAN WHEEL BASE 1 12 = VAN WHEEL BASE 2 51 = WAGON WHEEL BASE 1 52 = WAGON WHEEL BASE 2 14 = VAN WHEEL BASE 4 15 = VAN WHEEL BASE 5 54 = WAGON WHEEL BASE 4 55 = WAGON WHEEL BASE 5 56 = WAGON WHEEL BASE 6 16 = VAN WHEEL BASE 6	EX8 = 2.7L I5 Turbo Diesel Engine EX9 = 2.7L I5 Mercedes-Benz TD Engine	DGJ = 5-Speed Automatic MB Transmission DGZ = 4-Spd. Automatic MT643 Transmission

AR = use ase required - = Non illustrated part

Air Cleaner
Figure 14-810



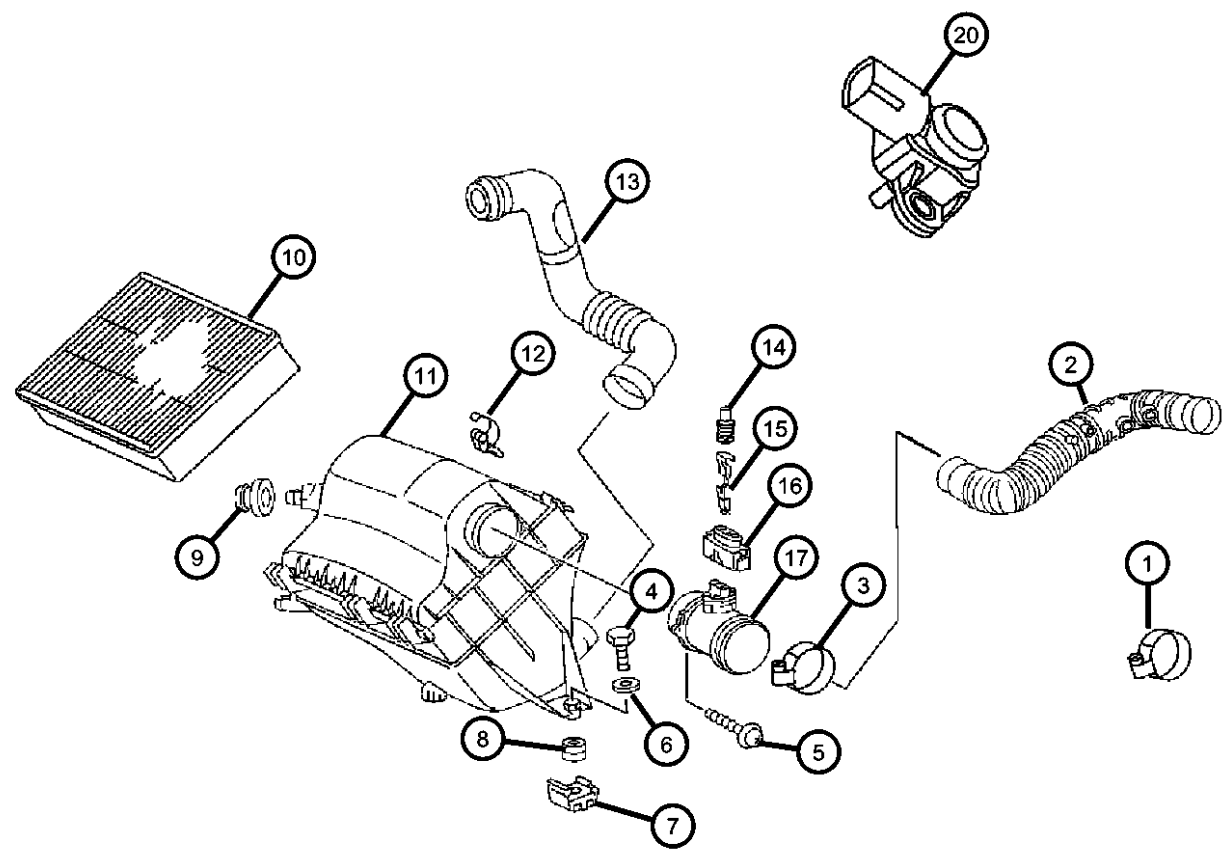
ITEM	PART NUMBER	QTY	LINE	SERIES	BODY	ENGINE	TRANS	TRIM	DESCRIPTION
1	06104787AA	1	2, 6	L	01, 02, 06	EX8	DGZ		CLAMP
		1	2, 6	L	11, 12, 14, 15, 16	EX8	DGZ		
		1	2, 6	L	51, 52, 54, 55, 56	EX8	DGZ		
		1	3, 7	L	02, 06	EX8	DGZ		
		1	3, 7	L	12, 15, 16	EX8	DGZ		
2	05120144AA	1	2, 6	L	01, 02, 06	EX8	DGZ		HOSE, Air Cleaner
		1	2, 6	L	11, 12, 14, 15, 16	EX8	DGZ		
		1	2, 6	L	51, 52, 54, 55, 56	EX8	DGZ		
		1	3, 7	L	02, 06	EX8	DGZ		
		1	3, 7	L	12, 15, 16	EX8	DGZ		
3	06104790AA	1	2, 6	L	01, 02, 06	EX8	DGZ		CLAMP
		1	2, 6	L	11, 12, 14, 15, 16	EX8	DGZ		
		1	2, 6	L	51, 52, 54, 55, 56	EX8	DGZ		
		1	3, 7	L	02, 06	EX8	DGZ		
		1	3, 7	L	12, 15, 16	EX8	DGZ		
4	06104124AA	1	2, 6	L	01, 02, 06	EX8	DGZ		BOLT
		1	2, 6	L	11, 12, 14, 15, 16	EX8	DGZ		
		1	2, 6	L	51, 52, 54, 55, 56	EX8	DGZ		
		1	3, 7	L	02, 06	EX8	DGZ		
		1	3, 7	L	12, 15, 16	EX8	DGZ		

SPRINTER (VA)

SERIES	LINE	BODY	ENGINE	TRANSMISSION
L = LOWLINE	3 = HD DODGE 2WD 8 = HD DODGE 4WD 6 = Lt. Duty DODGE 4WD 2 = Med. Duty DODGE 2WD 7 = Med. Duty DODGE 4WD 4 = TRUCK	01 = CHASSIS FORWARD CONTROL W.B.1 02 = CAB CHASSIS WHEEL BASE 2 06 = CAB CHASSIS WHEEL BASE 6 11 = VAN WHEEL BASE 1 12 = VAN WHEEL BASE 2 51 = WAGON WHEEL BASE 1 52 = WAGON WHEEL BASE 2 14 = VAN WHEEL BASE 4 15 = VAN WHEEL BASE 5 54 = WAGON WHEEL BASE 4 55 = WAGON WHEEL BASE 5 56 = WAGON WHEEL BASE 6 16 = VAN WHEEL BASE 6	EX8 = 2.7L I5 Turbo Diesel Engine EX9 = 2.7L I5 Mercedes-Benz TD Engine	DGJ = 5-Speed Automatic MB Transmission DGZ = 4-Spd. Automatic MT643 Transmission

AR = use ase required - = Non illustrated part

**Air Cleaner
Figure 14-810**



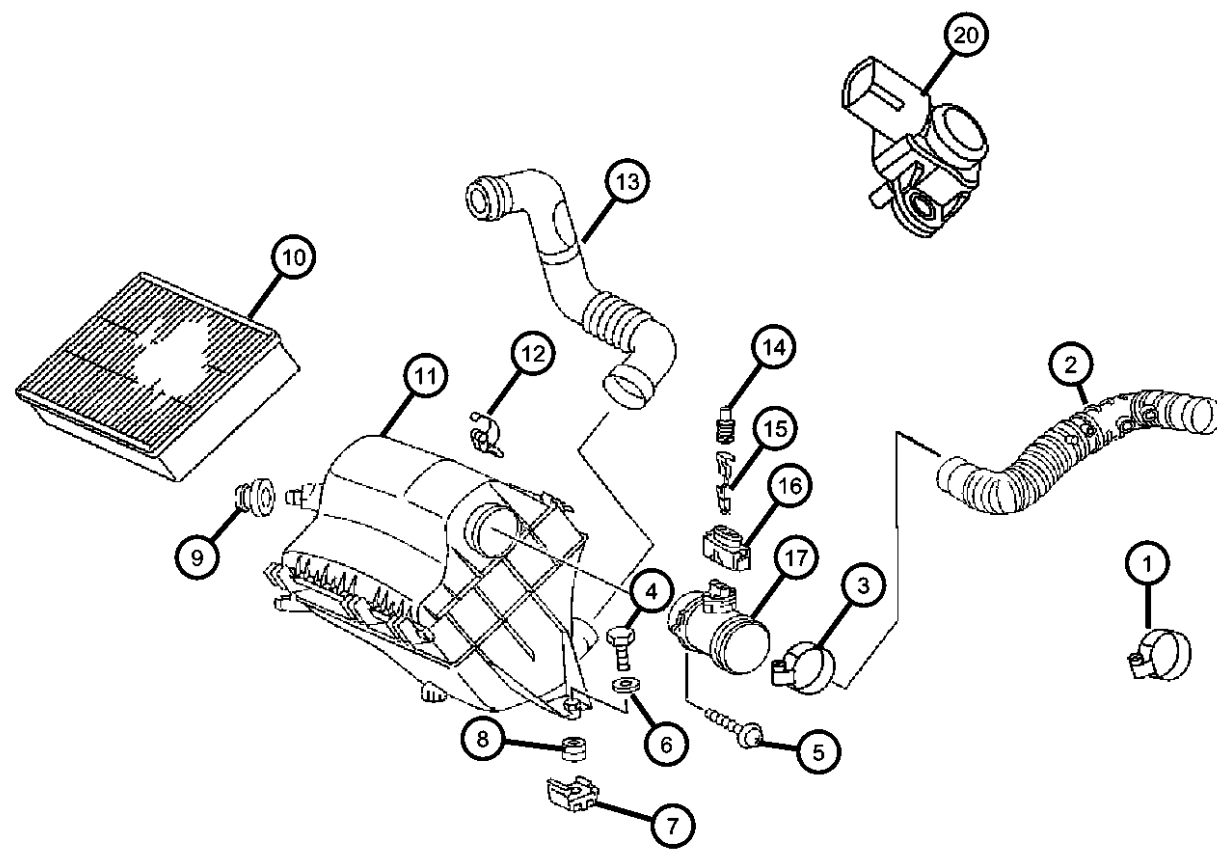
ITEM	PART NUMBER	QTY	LINE	SERIES	BODY	ENGINE	TRANS	TRIM	DESCRIPTION
5	05133748AA	2	2, 6	L	01, 02, 06	EX8	DGZ		BOLT, Hex Head
		2	2, 6	L	11, 12, 14, 15, 16	EX8	DGZ		
		2	2, 6	L	51, 52, 54, 55, 56	EX8	DGZ		
		2	3, 7	L	02, 06	EX8	DGZ		
		2	3, 7	L	12, 15, 16	EX8	DGZ		
6	05133908AA	2	2, 6	L	01, 02, 06	EX8	DGZ		WASHER
		2	2, 6	L	11, 12, 14, 15, 16	EX8	DGZ		
		2	2, 6	L	51, 52, 54, 55, 56	EX8	DGZ		
		2	3, 7	L	02, 06	EX8	DGZ		
		2	3, 7	L	12, 15, 16	EX8	DGZ		
7	05126253AA	2	2, 6	L	01, 02, 06	EX8	DGZ		NUT
		2	2, 6	L	11, 12, 14, 15, 16	EX8	DGZ		
		2	2, 6	L	51, 52, 54, 55, 56	EX8	DGZ		
		2	3, 7	L	02, 06	EX8	DGZ		
		2	3, 7	L	12, 15, 16	EX8	DGZ		
8	05133742AA	1	2, 6	L	01, 02, 06	EX8	DGZ		BUSHING, Isolator Mounting Leg
		1	2, 6	L	11, 12, 14, 15, 16	EX8	DGZ		
		1	2, 6	L	51, 52, 54, 55, 56	EX8	DGZ		
		1	3, 7	L	02, 06	EX8	DGZ		
		1	3, 7	L	12, 15, 16	EX8	DGZ		

SPRINTER (VA)

SERIES	LINE	BODY	ENGINE	TRANSMISSION
L = LOWLINE	3 = HD DODGE 2WD 8 = HD DODGE 4WD 6 = Lt. Duty DODGE 4WD 2 = Med. Duty DODGE 2WD 7 = Med. Duty DODGE 4WD 4 = TRUCK	01 = CHASSIS FORWARD CONTROL W.B.1 02 = CAB CHASSIS WHEEL BASE 2 06 = CAB CHASSIS WHEEL BASE 6 11 = VAN WHEEL BASE 1 12 = VAN WHEEL BASE 2 51 = WAGON WHEEL BASE 1 52 = WAGON WHEEL BASE 2 14 = VAN WHEEL BASE 4 15 = VAN WHEEL BASE 5 54 = WAGON WHEEL BASE 4 55 = WAGON WHEEL BASE 5 56 = WAGON WHEEL BASE 6 16 = VAN WHEEL BASE 6	EX8 = 2.7L I5 Turbo Diesel Engine EX9 = 2.7L I5 Mercedes-Benz TD Engine	DGJ = 5-Speed Automatic MB Transmission DGZ = 4-Spd. Automatic MT643 Transmission

AR = use ase required - = Non illustrated part

**Air Cleaner
Figure 14-810**



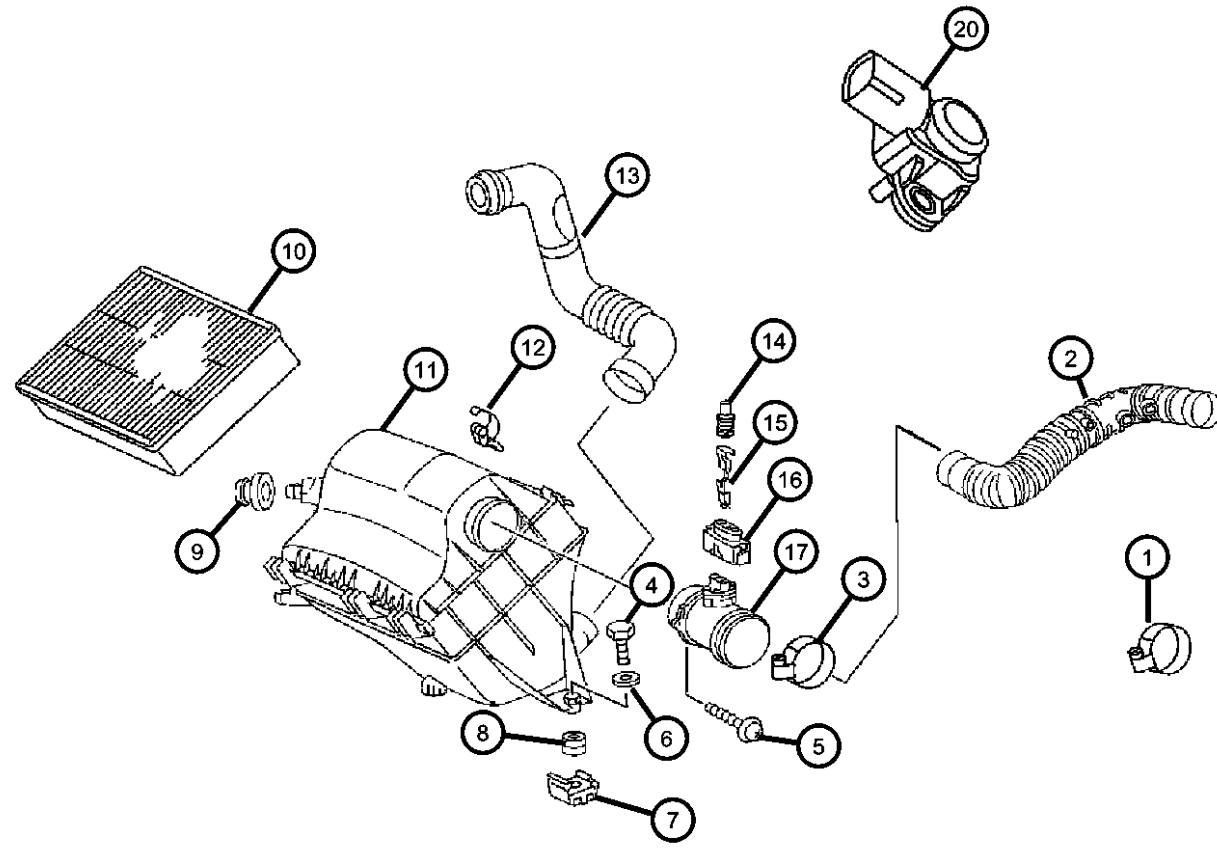
ITEM	PART NUMBER	QTY	LINE	SERIES	BODY	ENGINE	TRANS	TRIM	DESCRIPTION
9									GROMMET, Air Cleaner
	05120012AA	2	2, 6	L	01, 02, 06	EX8	DGZ		
		2	2, 6	L	11, 12, 14, 15, 16	EX8	DGZ		
		2	2, 6	L	51, 52, 54, 55, 56	EX8	DGZ		
		2	3, 7	L	02, 06	EX8	DGZ		
		2	3, 7	L	12, 15, 16	EX8	DGZ		
10									FILTER, Air
	05103554AA	1	2, 6	L	01, 02, 06	EX8	DGZ		
		1	2, 6	L	11, 12, 14, 15, 16	EX8	DGZ		
		1	2, 6	L	51, 52, 54, 55, 56	EX8	DGZ		
		1	3, 7	L	02, 06	EX8	DGZ		
		1	3, 7	L	12, 15, 16	EX8	DGZ		
11									AIR CLEANER
	05117478AA	1	2, 6	L	01, 02, 06	EX8	DGZ		WITHOUT MAINTENANCE INDICATOR
		1	2, 6	L	11, 12, 14, 15, 16	EX8	DGZ		WITHOUT MAINTENANCE INDICATOR
		1	2, 6	L	51, 52, 54, 55, 56	EX8	DGZ		WITHOUT MAINTENANCE INDICATOR
	05117480AA	1	3, 7	L	02, 06	EX8	DGZ		WITH MAINTENANCE INDICATOR
		1	3, 7	L	12, 15, 16	EX8	DGZ		WITH MAINTENANCE INDICATOR
12									LATCH, Air Cleaner
	05133741AA	1	2, 6	L	01, 02, 06	EX8	DGZ		
		1	2, 6	L	11, 12, 14, 15, 16	EX8	DGZ		
		1	2, 6	L	51, 52, 54, 55, 56	EX8	DGZ		

SPRINTER (VA)

SERIES	LINE	BODY	ENGINE	TRANSMISSION
L = LOWLINE	3 = HD DODGE 2WD 8 = HD DODGE 4WD 6 = Lt. Duty DODGE 4WD 2 = Med. Duty DODGE 2WD 7 = Med. Duty DODGE 4WD 4 = TRUCK	01 = CHASSIS FORWARD CONTROL W.B.1 02 = CAB CHASSIS WHEEL BASE 2 06 = CAB CHASSIS WHEEL BASE 6 11 = VAN WHEEL BASE 1 12 = VAN WHEEL BASE 2 51 = WAGON WHEEL BASE 1 52 = WAGON WHEEL BASE 2 14 = VAN WHEEL BASE 4 15 = VAN WHEEL BASE 5 54 = WAGON WHEEL BASE 4 55 = WAGON WHEEL BASE 5 56 = WAGON WHEEL BASE 6 16 = VAN WHEEL BASE 6	EX8 = 2.7L I5 Turbo Diesel Engine EX9 = 2.7L I5 Mercedes-Benz TD Engine	DGJ = 5-Speed Automatic MB Transmission DGZ = 4-Spd. Automatic MT643 Transmission

AR = use ase required - = Non illustrated part

**Air Cleaner
Figure 14-810**



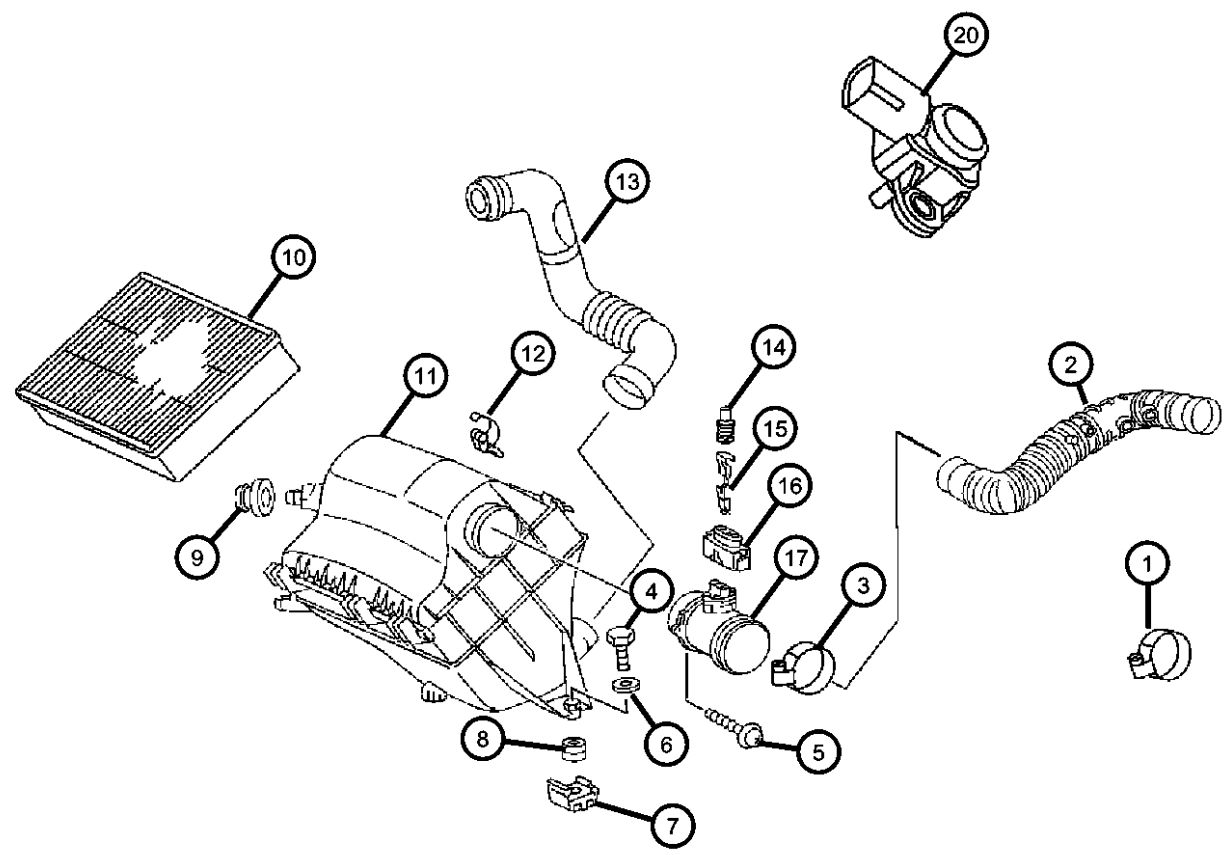
ITEM	PART NUMBER	QTY	LINE	SERIES	BODY	ENGINE	TRANS	TRIM	DESCRIPTION
		1	3, 7	L	02, 06	EX8	DGZ		
		1	3, 7	L	12, 15, 16	EX8	DGZ		
13	05103616AA	1	2, 6	L	01, 02, 06	EX8	DGZ		HOSE, Air Cleaner
		1	2, 6	L	11, 12, 14, 15, 16	EX8	DGZ		
		1	2, 6	L	51, 52, 54, 55, 56	EX8	DGZ		
		1	3, 7	L	02, 06	EX8	DGZ		
		1	3, 7	L	12, 15, 16	EX8	DGZ		
14	05103661AA	1	2, 6	L	51, 52, 54, 55, 56	EX8	DGZ		GASKET
		1	2, 6	L	01, 02, 06	EX8	DGZ		
		1	2, 6	L	11, 12, 14, 15, 16	EX8	DGZ		
		99	3, 7	L	02, 06	EX8	DGZ		
		99	3, 7	L	12, 15, 16	EX8	DGZ		
15	05102935AA	1	2, 6	L	01, 02, 06	EX8	DGZ		TERMINAL
		1	2, 6	L	11, 12, 14, 15, 16	EX8	DGZ		
		1	2, 6	L	51, 52, 54, 55, 56	EX8	DGZ		
		1	3, 7	L	02, 06	EX8	DGZ		
		1	3, 7	L	12, 15, 16	EX8	DGZ		
16	05120763AA	1	2, 6	L	51, 52, 54, 55, 56	EX8	DGZ		PLUG
		1	2, 6	L	01, 02, 06	EX8	DGZ		
		1	2, 6	L	11, 12, 14, 15, 16	EX8	DGZ		

SPRINTER (VA)

SERIES	LINE	BODY	ENGINE	TRANSMISSION
L = LOWLINE	3 = HD DODGE 2WD 8 = HD DODGE 4WD 6 = Lt. Duty DODGE 4WD 2 = Med. Duty DODGE 2WD 7 = Med. Duty DODGE 4WD 4 = TRUCK	01 = CHASSIS FORWARD CONTROL W.B.1 02 = CAB CHASSIS WHEEL BASE 2 06 = CAB CHASSIS WHEEL BASE 6 11 = VAN WHEEL BASE 1 12 = VAN WHEEL BASE 2 51 = WAGON WHEEL BASE 1 52 = WAGON WHEEL BASE 2 14 = VAN WHEEL BASE 4 15 = VAN WHEEL BASE 5 54 = WAGON WHEEL BASE 4 55 = WAGON WHEEL BASE 5 56 = WAGON WHEEL BASE 6 16 = VAN WHEEL BASE 6	EX8 = 2.7L I5 Turbo Diesel Engine EX9 = 2.7L I5 Mercedes-Benz TD Engine	DGJ = 5-Speed Automatic MB Transmission DGZ = 4-Spd. Automatic MT643 Transmission

AR = use ase required - = Non illustrated part

**Air Cleaner
Figure 14-810**



ITEM	PART NUMBER	QTY	LINE	SERIES	BODY	ENGINE	TRANS	TRIM	DESCRIPTION
		1	3, 7	L	02, 06	EX8	DGZ		
		1	3, 7	L	12, 15, 16	EX8	DGZ		
17	05117501AA	1	2, 6	L	01, 02, 06	EX8	DGZ		SENSOR, Mass Airflow
		1	2, 6	L	11, 12, 14, 15, 16	EX8	DGZ		
		1	2, 6	L	51, 52, 54, 55, 56	EX8	DGZ		
		1	3, 7	L	02, 06	EX8	DGZ		
		1	3, 7	L	12, 15, 16	EX8	DGZ		
-18	05133740AA	1	2, 6	L	01, 02, 06	EX8	DGZ		SEAL, O-Ring
		1	2, 6	L	11, 12, 14, 15, 16	EX8	DGZ		
		1	2, 6	L	51, 52, 54, 55, 56	EX8	DGZ		
		1	3, 7	L	02, 06	EX8	DGZ		
		1	3, 7	L	12, 15, 16	EX8	DGZ		
-19	05120059AA	1	2, 6	L	01, 02, 06	EX8	DGZ		BRACKET, Air Inlet
		1	2, 6	L	11, 12, 14, 15, 16	EX8	DGZ		
		1	2, 6	L	51, 52, 54, 55, 56	EX8	DGZ		
		1	3, 7	L	02, 06	EX8	DGZ		
		1	3, 7	L	12, 15, 16	EX8	DGZ		
20	05101120AB	1	2, 6	L	01, 02, 06	EX8	DGZ		SENSOR, Air Pressure
		1	2, 6	L	11, 12, 14, 15, 16	EX8	DGZ		
		1	2, 6	L	51, 52, 54, 55, 56	EX8	DGZ		

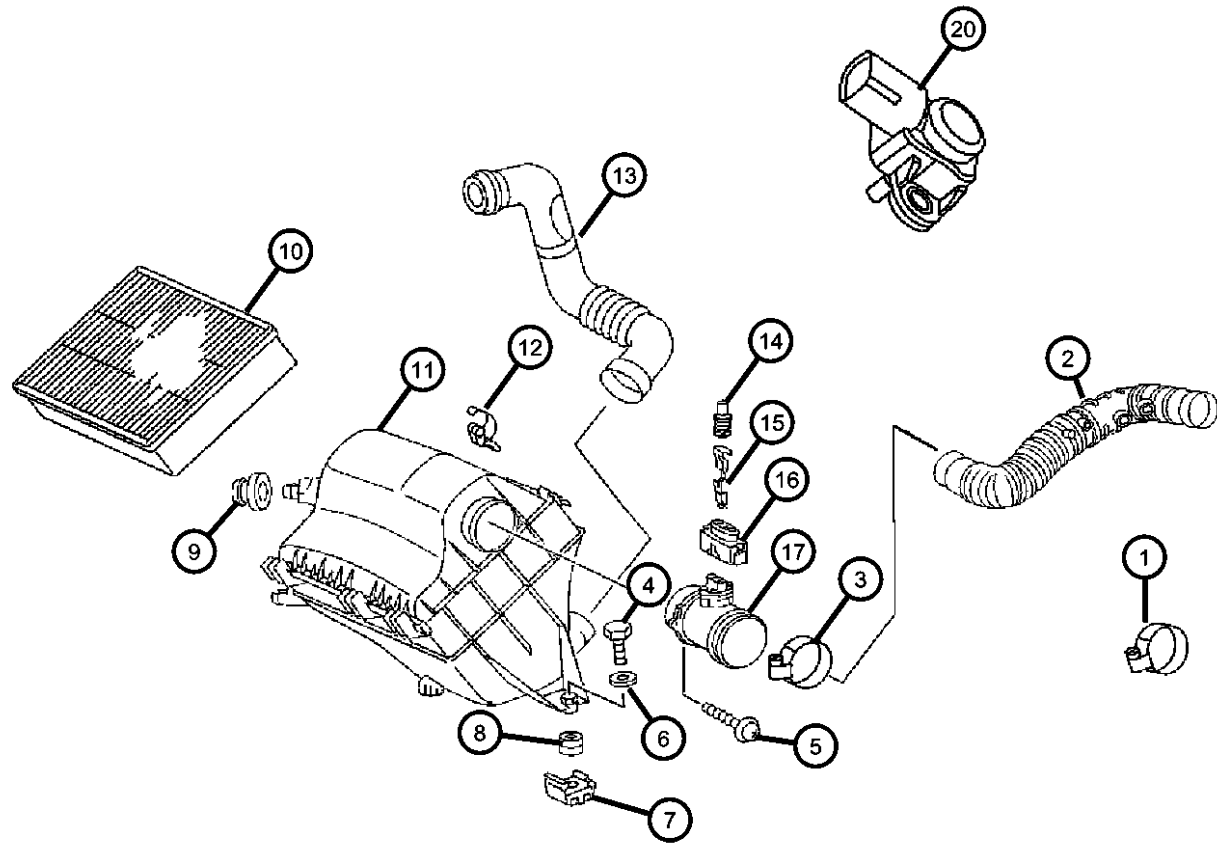
SPRINTER (VA)

SERIES	LINE	BODY	ENGINE	TRANSMISSION
L = LOWLINE	3 = HD DODGE 2WD 8 = HD DODGE 4WD 6 = Lt. Duty DODGE 4WD 2 = Med. Duty DODGE 2WD 7 = Med. Duty DODGE 4WD 4 = TRUCK	01 = CHASSIS FORWARD CONTROL W.B.1 02 = CAB CHASSIS WHEEL BASE 2 06 = CAB CHASSIS WHEEL BASE 6 11 = VAN WHEEL BASE 1 12 = VAN WHEEL BASE 2 51 = WAGON WHEEL BASE 1 52 = WAGON WHEEL BASE 2 14 = VAN WHEEL BASE 4 15 = VAN WHEEL BASE 5 54 = WAGON WHEEL BASE 4 55 = WAGON WHEEL BASE 5 56 = WAGON WHEEL BASE 6 16 = VAN WHEEL BASE 6	EX8 = 2.7L I5 Turbo Diesel Engine EX9 = 2.7L I5 Mercedes-Benz TD Engine	DGJ = 5-Speed Automatic MB Transmission DGZ = 4-Spd. Automatic MT643 Transmission

AR = use ase required - = Non illustrated part

Air Cleaner
Figure 14-810

ITEM	PART NUMBER	QTY	LINE	SERIES	BODY	ENGINE	TRANS	TRIM	DESCRIPTION
		1	3, 7	L	02, 06	EX8	DGZ		
		1	3, 7	L	12, 15, 16	EX8	DGZ		



SPRINTER (VA)

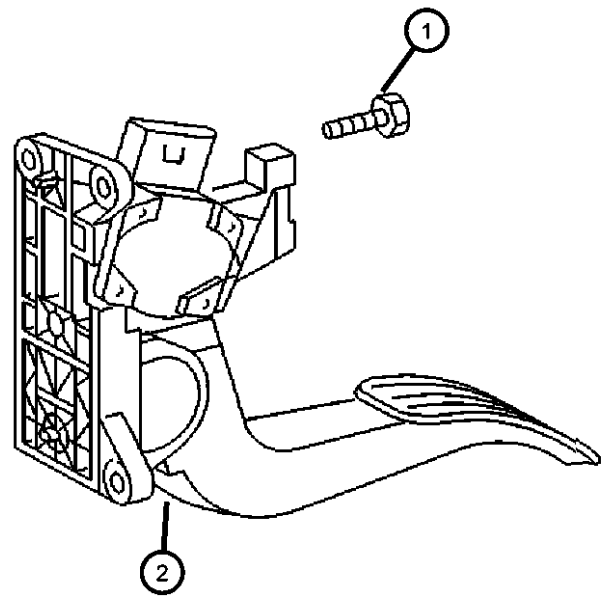
SERIES	LINE	BODY	ENGINE	TRANSMISSION
L = LOWLINE	3 = HD DODGE 2WD 8 = HD DODGE 4WD 6 = Lt. Duty DODGE 4WD 2 = Med. Duty DODGE 2WD 7 = Med. Duty DODGE 4WD 4 = TRUCK	01 = CHASSIS FORWARD CONTROL W.B.1 02 = CAB CHASSIS WHEEL BASE 2 06 = CAB CHASSIS WHEEL BASE 6 11 = VAN WHEEL BASE 1 12 = VAN WHEEL BASE 2 51 = WAGON WHEEL BASE 1 52 = WAGON WHEEL BASE 2 14 = VAN WHEEL BASE 4 15 = VAN WHEEL BASE 5 54 = WAGON WHEEL BASE 4 55 = WAGON WHEEL BASE 5 56 = WAGON WHEEL BASE 6 16 = VAN WHEEL BASE 6	EX8 = 2.7L I5 Turbo Diesel Engine EX9 = 2.7L I5 Mercedes-Benz TD Engine	DGJ = 5-Speed Automatic MB Transmission DGZ = 4-Spd. Automatic MT643 Transmission

AR = use ase required - = Non illustrated part

**Accelerator Pedal
Figure 14-1110**

ITEM	PART NUMBER	QTY	LINE	SERIES	BODY	ENGINE	TRANS	TRIM	DESCRIPTION
------	-------------	-----	------	--------	------	--------	-------	------	-------------

Sales Codes:[EX8]= 2.7L I5 MERCEDES-BENZ
DGJ=TRANSMISSION - 5-SPD AUTO



1									SCREW
	06104005AA	2	2, 6	L	11, 12, 14, 15, 16	EX8	DGZ		
		2	2, 6	L	51, 52, 54, 55, 56	EX8	DGZ		
		3	2, 6	L	01, 02, 06	EX8	DGZ		
		3	2, 6	L	11, 12, 14, 15, 16	EX8	DGZ		
		2	3, 7	L	12, 15, 16	EX8	DGZ		
		3	3, 7	L	02, 06	EX8	DGZ		
2									PEDAL, Accelerator
	05135510AA	1	2, 6	L	01, 02, 06	EX8	DGZ		
		1	2, 6	L	11, 12, 14, 15, 16	EX8	DGZ		
		1	2, 6	L	51, 52, 54, 55, 56	EX8	DGZ		
		1	3, 7	L	02, 06	EX8	DGZ		
		1	3, 7	L	12, 15, 16	EX8	DGZ		

SPRINTER (VA)

SERIES	LINE	BODY	ENGINE	TRANSMISSION
L = LOWLINE	3 = HD DODGE 2WD 8 = HD DODGE 4WD 6 = Lt. Duty DODGE 4WD 2 = Med. Duty DODGE 2WD 7 = Med. Duty DODGE 4WD 4 = TRUCK	01 = CHASSIS FORWARD CONTROL W.B.1 02 = CAB CHASSIS WHEEL BASE 2 06 = CAB CHASSIS WHEEL BASE 6 11 = VAN WHEEL BASE 1 12 = VAN WHEEL BASE 2 51 = WAGON WHEEL BASE 1 52 = WAGON WHEEL BASE 2 14 = VAN WHEEL BASE 4 15 = VAN WHEEL BASE 5 54 = WAGON WHEEL BASE 4 55 = WAGON WHEEL BASE 5 56 = WAGON WHEEL BASE 6 16 = VAN WHEEL BASE 6	EX8 = 2.7L I5 Turbo Diesel Engine EX9 = 2.7L I5 Mercedes-Benz TD Engine	DGJ = 5-Speed Automatic MB Transmission DGZ = 4-Spd. Automatic MT643 Transmission

AR = use ase required - = Non illustrated part

2006 VA

Group - 16

Propeller Shafts and U-Joints

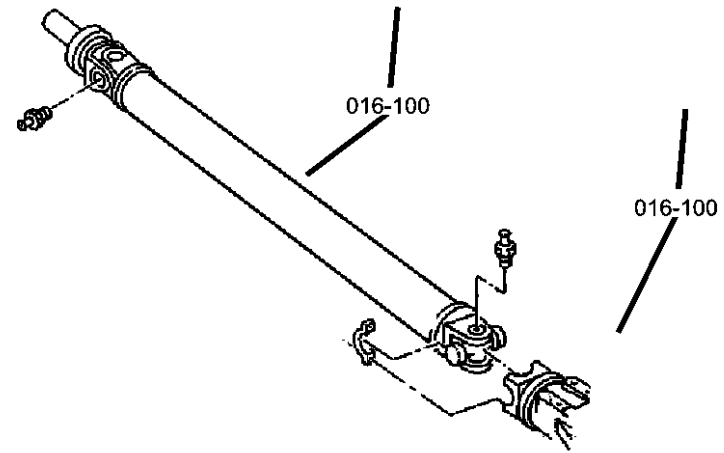
Group - 16 Propeller Shafts and U-Joints

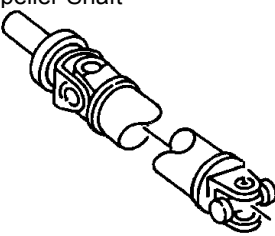
Illustration Title

Group-Fig. No.

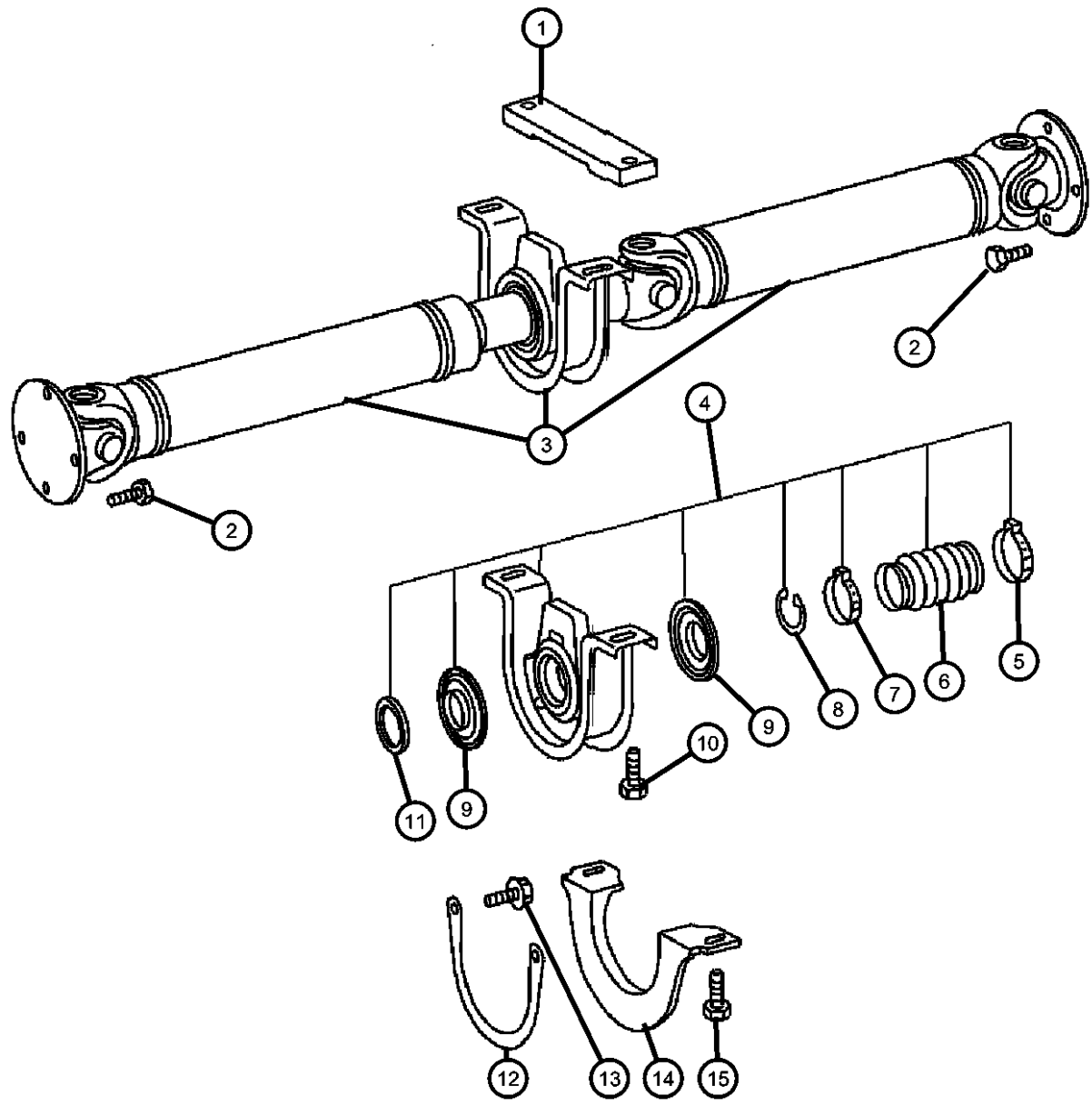
Propeller Shaft

Shaft, Propeller, Rear, 2 Piece	Fig. 16 - 120
Shaft, Propeller, Rear, 3 Piece	Fig. 16 - 130



<p>016-100 Propeller Shaft</p> 			
--	--	--	--

Shaft, Propeller, Rear, 2 Piece
Figure 16-120



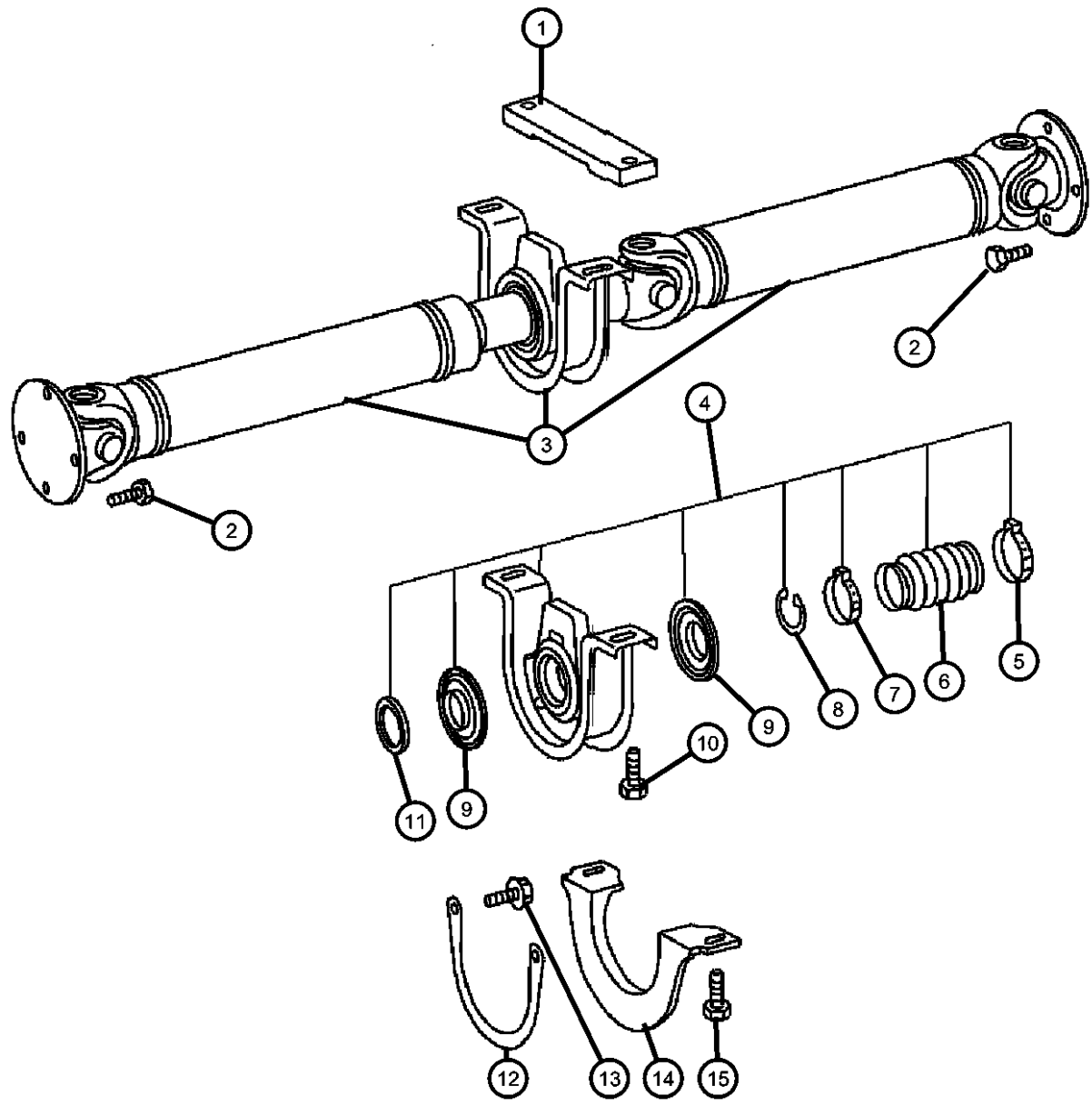
ITEM	PART NUMBER	QTY	LINE	SERIES	BODY	ENGINE	TRANS	TRIM	DESCRIPTION
1	05129044AA	2		L			DGZ		SHIM, Drive Shaft Bearing
2									BOLT
	05103939AA	8	2, 6	L	01, 02	EX8	DGZ		
		8	2, 6	L	11, 12, 14, 15	EX8	DGZ		
		8	2, 6	L	51, 52, 54, 55	EX8	DGZ		
		8	3, 7	L	02	EX8	DGZ		
		8	3, 7	L	12, 15	EX8	DGZ		
3									SHAFT, Drive, 2 Piece
	05119086AA	1	2, 6	L	02	EX8	DGZ		
		1	2, 6	L	12, 15	EX8	DGZ		
		1	2, 6	L	52, 55	EX8	DGZ		
		1	3, 7	L	02	EX8	DGZ		
		1	3, 7	L	12, 15	EX8	DGZ		
	05129034AA	1	2, 6	L	01	EX8	DGZ		
		1	2, 6	L	11, 14	EX8	DGZ		
		1	2, 6	L	51, 54	EX8	DGZ		
4									CENTER BEARING, Drive Shaft
	05104574AA	1	2, 6	L	01, 02, 06	EX8	DGZ		
		1	2, 6	L	11, 12, 14, 15, 16	EX8	DGZ		
		1	2, 6	L	51, 52, 54, 55, 56	EX8	DGZ		
		1	3, 7	L	02, 06	EX8	DGZ		
		1	3, 7	L	15, 16, 12	EX8	DGZ		
5									CLAMP, Boot
	05133900AA	1	2, 6	L	01, 02, 06	EX8	DGZ		
		1	6, 2	L	11, 12, 14, 15, 16	EX8	DGZ		

SPRINTER (VA)

SERIES	LINE	BODY	ENGINE	TRANSMISSION
L = LOWLINE	3 = HD DODGE 2WD 8 = HD DODGE 4WD 6 = Lt. Duty DODGE 4WD 2 = Med. Duty DODGE 2WD 7 = Med. Duty DODGE 4WD 4 = TRUCK	01 = CHASSIS FORWARD CONTROL W.B.1 02 = CAB CHASSIS WHEEL BASE 2 06 = CAB CHASSIS WHEEL BASE 6 11 = VAN WHEEL BASE 1 12 = VAN WHEEL BASE 2 51 = WAGON WHEEL BASE 1 52 = WAGON WHEEL BASE 2 14 = VAN WHEEL BASE 4 15 = VAN WHEEL BASE 5 54 = WAGON WHEEL BASE 4 55 = WAGON WHEEL BASE 5 56 = WAGON WHEEL BASE 6 16 = VAN WHEEL BASE 6	EX8 = 2.7L I5 Turbo Diesel Engine EX9 = 2.7L I5 Mercedes-Benz TD Engine	DGJ = 5-Speed Automatic MB Transmission DGZ = 4-Spd. Automatic MT643 Transmission

AR = use ase required - = Non illustrated part

**Shaft, Propeller, Rear, 2 Piece
Figure 16-120**



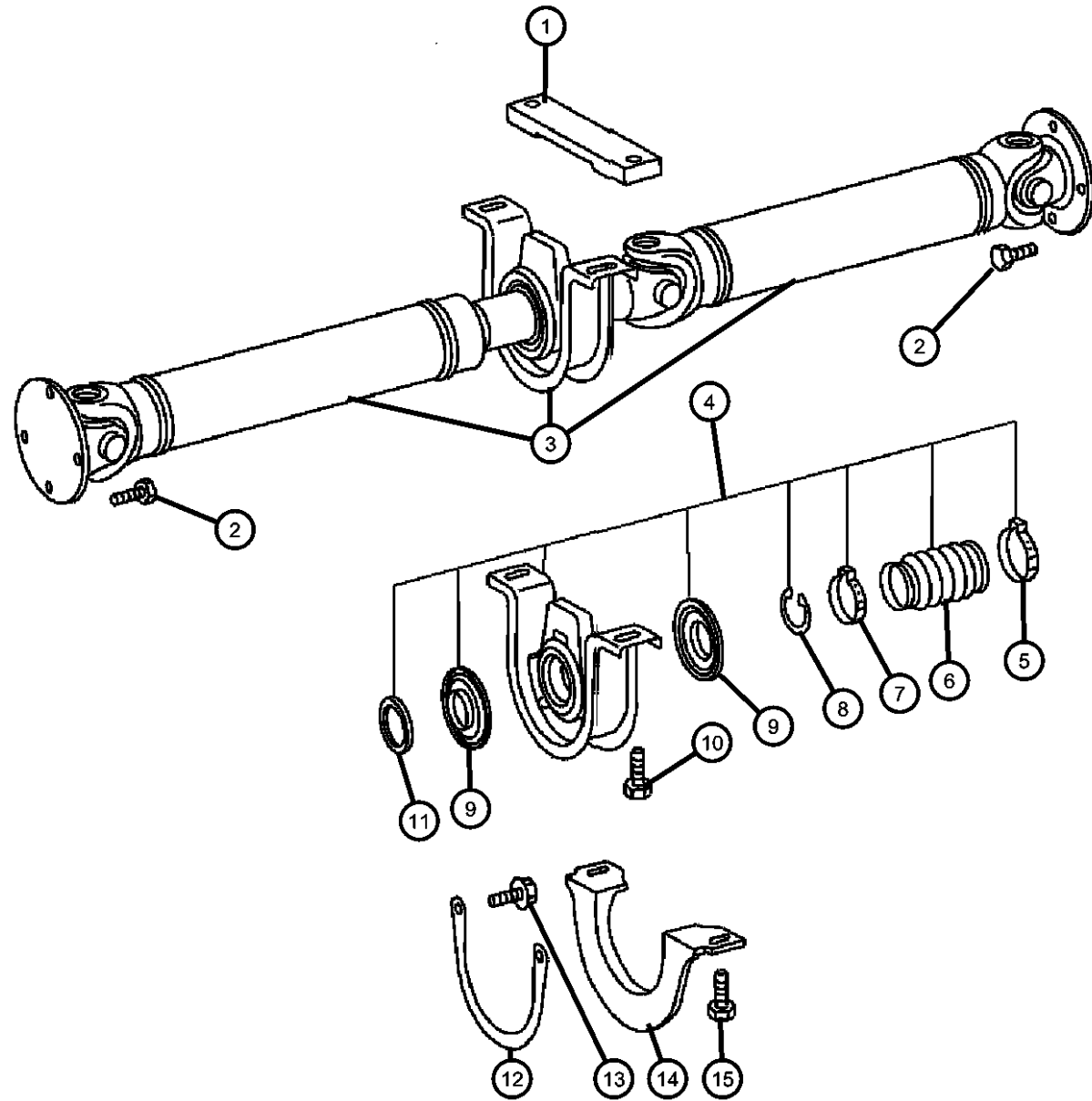
ITEM	PART NUMBER	QTY	LINE	SERIES	BODY	ENGINE	TRANS	TRIM	DESCRIPTION
6	05133897AA	1	2, 6	L	51, 52, 54, 55, 56	EX8	DGZ		BOOT, Driveshaft
		1	3, 7	L	02, 06	EX8	DGZ		
		1	3, 7	L	12, 15, 16	EX8	DGZ		
		1	2, 6	L	01, 02, 06	EX8	DGZ		
		1	2, 6	L	11, 12, 14, 15, 16	EX8	DGZ		
		1	2, 6	L	51, 52, 54, 55, 56	EX8	DGZ		
7	05133899AA	1	3, 7	L	02, 06	EX8	DGZ		CLAMP, Boot
		1	3, 7	L	12, 15, 16	EX8	DGZ		
		1	2, 6	L	01, 02, 06	EX8	DGZ		
		1	2, 6	L	11, 12, 14, 15, 16	EX8	DGZ		
		1	2, 6	L	51, 52, 54, 55, 56	EX8	DGZ		
		1	3, 7	L	02, 06	EX8	DGZ		
8	05133898AA	1	3, 7	L	12, 15, 16	EX8	DGZ		SNAP RING, Purchase Item 5, (NOT SERVICED) BOOT, Driveshaft
		1	2, 6	L	01, 02, 06	EX8	DGZ		
		1	2, 6	L	11, 12, 14, 15, 16	EX8	DGZ		
		1	2, 6	L	51, 52, 54, 55, 56	EX8	DGZ		
		1	3, 7	L	02, 06	EX8	DGZ		
		1	3, 7	L	12, 15, 16	EX8	DGZ		
10	06104238AA	2	2, 6	L	01, 02, 06	EX8	DGZ		BOLT

SPRINTER (VA)
SERIES **LINE** **BODY** **ENGINE** **TRANSMISSION**
L = LOWLINE 3 = HD DODGE 2WD 01 = CHASSIS FORWARD CONTROL W.B.1 EX8 = 2.7L I5 Turbo Diesel Engine DGJ = 5-Speed Automatic MB Transmission
 8 = HD DODGE 4WD 02 = CAB CHASSIS WHEEL BASE 2 EX9 = 2.7L I5 Mercedes-Benz TD Engine DGZ = 4-Spd. Automatic MT643 Transmission
 6 = Lt. Duty DODGE 4WD 06 = CAB CHASSIS WHEEL BASE 6
 2 = Med. Duty DODGE 2WD
 7 = Med. Duty DODGE 4WD
 4 = TRUCK

11 = VAN WHEEL BASE 1
12 = VAN WHEEL BASE 2
51 = WAGON WHEEL BASE 1
52 = WAGON WHEEL BASE 2
14 = VAN WHEEL BASE 4
15 = VAN WHEEL BASE 5
54 = WAGON WHEEL BASE 4
55 = WAGON WHEEL BASE 5
56 = WAGON WHEEL BASE 6
16 = VAN WHEEL BASE 6

AR = use ase required - = Non illustrated part

Shaft, Propeller, Rear, 2 Piece
Figure 16-120



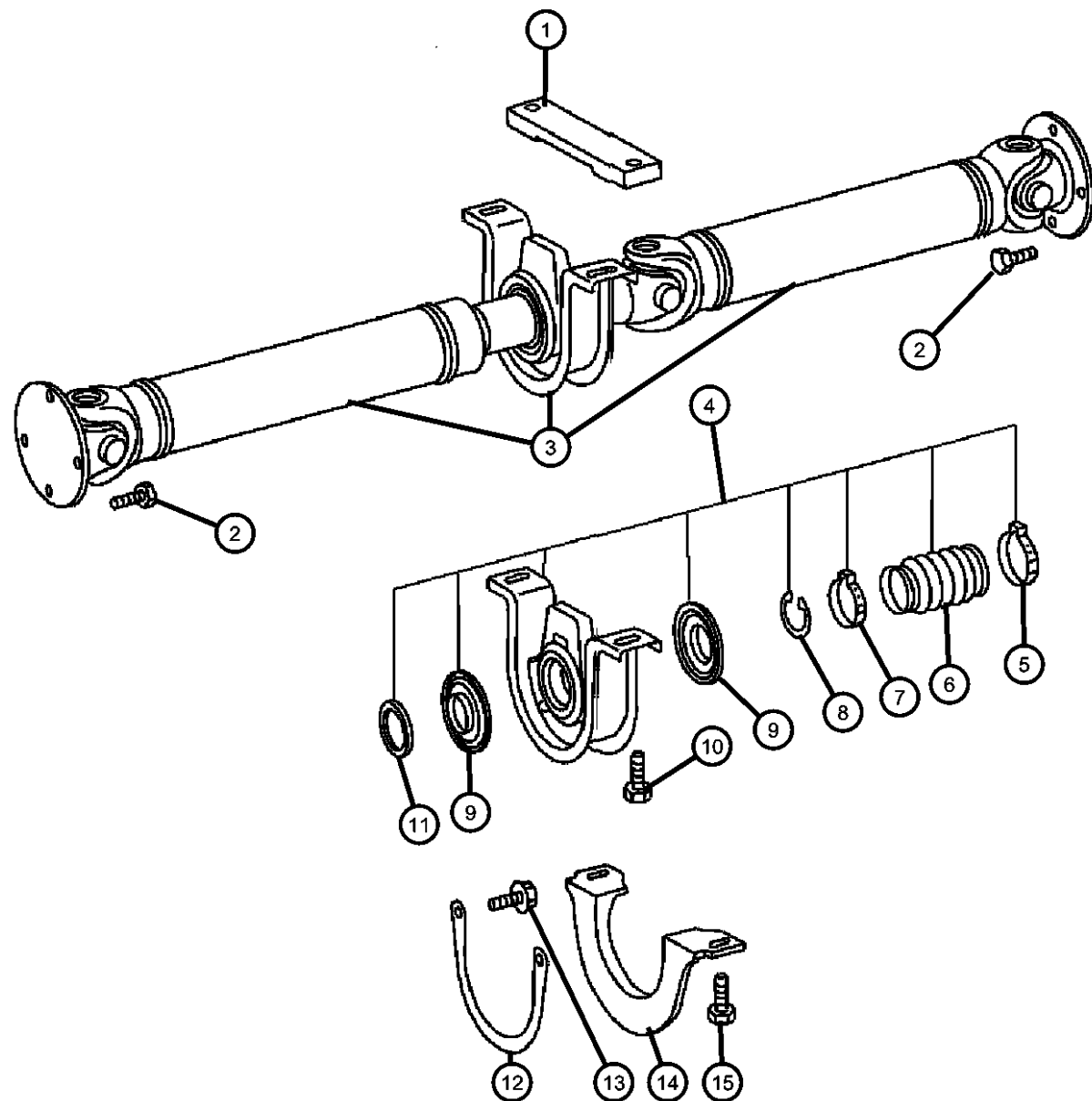
ITEM	PART NUMBER	QTY	LINE	SERIES	BODY	ENGINE	TRANS	TRIM	DESCRIPTION
		2	2, 6	L	11, 12, 14, 15, 16	EX8	DGZ		
		2	2, 6	L	51, 52, 54, 55, 56	EX8	DGZ		
		2	3, 7	L	02, 06	EX8	DGZ		
		2	3, 7	L	12, 15, 16	EX8	DGZ		
11		2							THRUST WASHER, Purchase Item 5, (NOT SERVICED)
12									STRAP, Prop Shaft
	05119131AA	1	2, 6	L	01, 02, 06	EX8	DGZ		
		1	2, 6	L	11, 12, 14, 15, 16	EX8	DGZ		
		1	2, 6	L	51, 52, 54, 55, 56	EX8	DGZ		
		1	3, 7	L	02, 06	EX8	DGZ		
		1	3, 7	L	12, 15, 16	EX8	DGZ		
13									SCREW
	06104234AA	2	2, 6	L	01, 02, 06	EX8	DGZ		
		2	2, 6	L	11, 12, 14, 15, 16	EX8	DGZ		
		2	2, 6	L	51, 52, 54, 55, 56	EX8	DGZ		
		2	3, 7	L	02, 06	EX8	DGZ		
		2	3, 7	L	12, 15, 16	EX8	DGZ		
14									BRACKET, Prop Shaft
	05119133AA	1	2, 6	L	01, 02	EX8	DGZ		
		1	2, 6	L	11, 12, 14, 15, 16	EX8	DGZ		
		1	2, 6	L	51, 52, 54, 55, 56	EX8	DGZ		
		1	3, 7	L	02	EX8	DGZ		
		1	3, 7	L	12, 15, 16	EX8	DGZ		

SPRINTER (VA)

SERIES	LINE	BODY	ENGINE	TRANSMISSION
L = LOWLINE	3 = HD DODGE 2WD 8 = HD DODGE 4WD 6 = Lt. Duty DODGE 4WD 2 = Med. Duty DODGE 2WD 7 = Med. Duty DODGE 4WD 4 = TRUCK	01 = CHASSIS FORWARD CONTROL W.B.1 02 = CAB CHASSIS WHEEL BASE 2 06 = CAB CHASSIS WHEEL BASE 6 11 = VAN WHEEL BASE 1 12 = VAN WHEEL BASE 2 51 = WAGON WHEEL BASE 1 52 = WAGON WHEEL BASE 2 14 = VAN WHEEL BASE 4 15 = VAN WHEEL BASE 5 54 = WAGON WHEEL BASE 4 55 = WAGON WHEEL BASE 5 56 = WAGON WHEEL BASE 6 16 = VAN WHEEL BASE 6	EX8 = 2.7L I5 Turbo Diesel Engine EX9 = 2.7L I5 Mercedes-Benz TD Engine	DGJ = 5-Speed Automatic MB Transmission DGZ = 4-Spd. Automatic MT643 Transmission

AR = use ase required - = Non illustrated part

**Shaft, Propeller, Rear, 2 Piece
Figure 16-120**



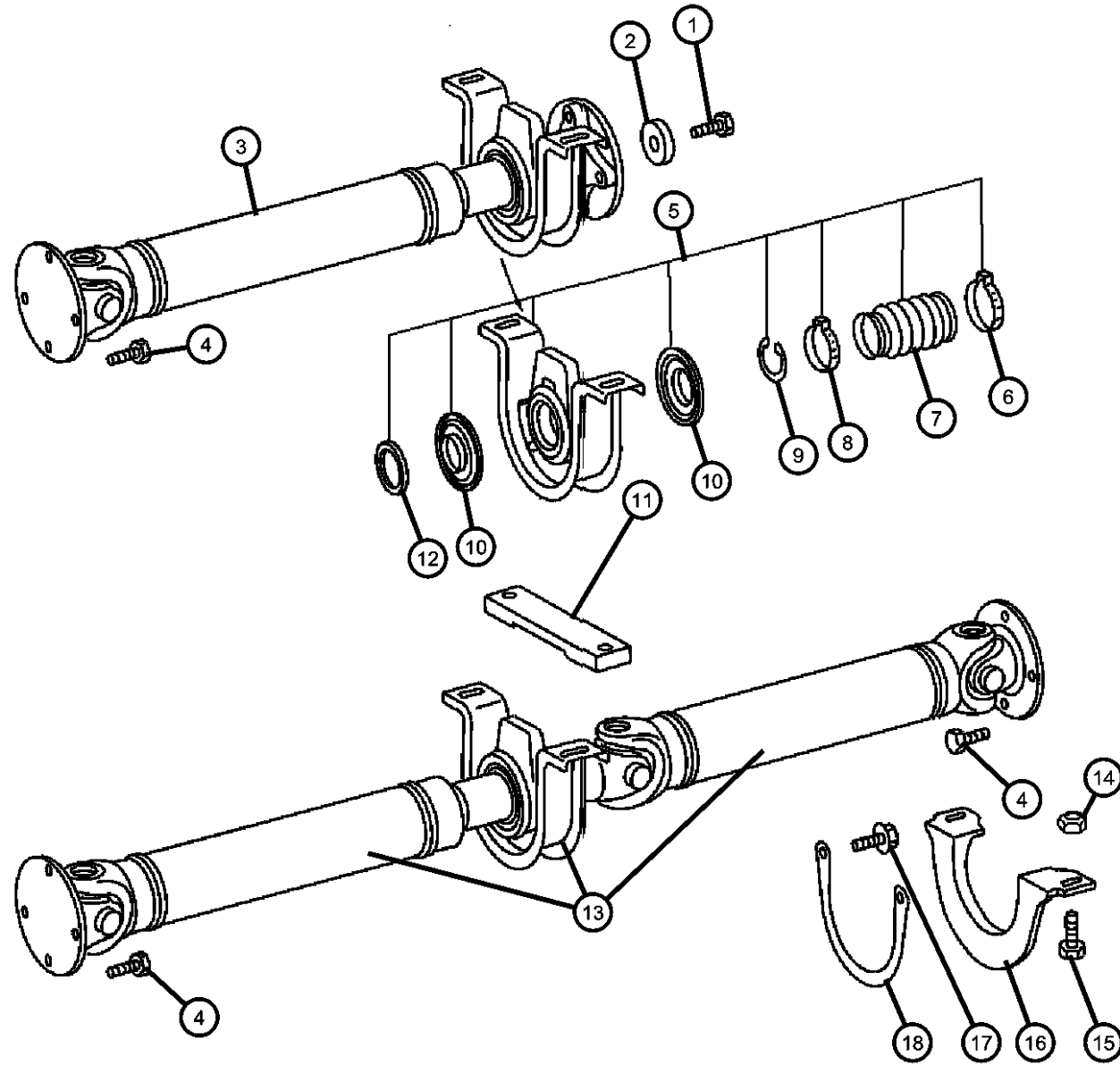
ITEM	PART NUMBER	QTY	LINE	SERIES	BODY	ENGINE	TRANS	TRIM	DESCRIPTION
15									BOLT, Hex
	05133896AA	2	2, 6	L	01, 02	EX8	DGZ		
		2	2, 6	L	11, 12, 14, 15, 16	EX8	DGZ		
		2	2, 6	L	51, 52, 54, 55, 56	EX8	DGZ		
		2	3, 7	L	02	EX8	DGZ		
		2	3, 7	L	12, 15, 16	EX8	DGZ		

SPRINTER (VA)

SERIES	LINE	BODY	ENGINE	TRANSMISSION
L = LOWLINE	3 = HD DODGE 2WD 8 = HD DODGE 4WD 6 = Lt. Duty DODGE 4WD 2 = Med. Duty DODGE 2WD 7 = Med. Duty DODGE 4WD 4 = TRUCK	01 = CHASSIS FORWARD CONTROL W.B.1 02 = CAB CHASSIS WHEEL BASE 2 06 = CAB CHASSIS WHEEL BASE 6 11 = VAN WHEEL BASE 1 12 = VAN WHEEL BASE 2 51 = WAGON WHEEL BASE 1 52 = WAGON WHEEL BASE 2 14 = VAN WHEEL BASE 4 15 = VAN WHEEL BASE 5 54 = WAGON WHEEL BASE 4 55 = WAGON WHEEL BASE 5 56 = WAGON WHEEL BASE 6 16 = VAN WHEEL BASE 6	EX8 = 2.7L I5 Turbo Diesel Engine EX9 = 2.7L I5 Mercedes-Benz TD Engine	DGJ = 5-Speed Automatic MB Transmission DGZ = 4-Spd. Automatic MT643 Transmission

AR = use ase required - = Non illustrated part

Shaft, Propeller, Rear, 3 Piece
Figure 16-130



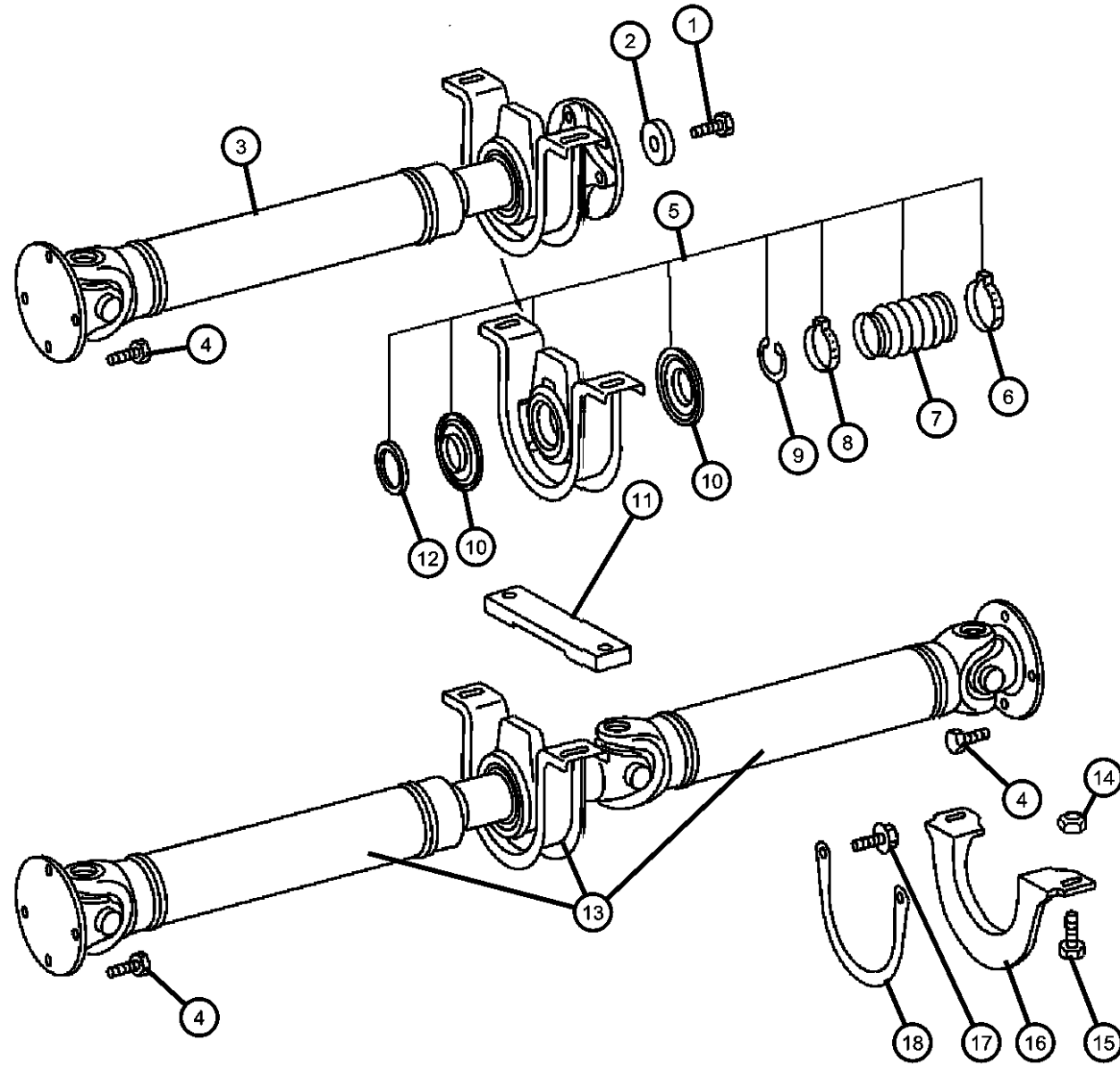
ITEM	PART NUMBER	QTY	LINE	SERIES	BODY	ENGINE	TRANS	TRIM	DESCRIPTION
1	05133893AA	1	2, 6	L	01, 02, 06	EX8	DGZ		BOLT, Drive Shaft
		1	2, 6	L	11, 12, 14, 15, 16	EX8	DGZ		
		1	2, 6	L	51, 52, 54, 55, 56	EX8	DGZ		
		1	3, 7	L	02, 06	EX8	DGZ		
		1	3, 7	L	12, 15, 16	EX8	DGZ		
2	05133894AA	1	3, 7	L	02, 06	EX8	DGZ		WASHER, Thrust
		1	3, 7	L	12, 15, 16	EX8	DGZ		
		1	2, 6	L	01, 02, 06	EX8	DGZ		
		1	2, 6	L	11, 12, 14, 15, 16	EX8	DGZ		
		1	2, 6	L	51, 52, 54, 55, 56	EX8	DGZ		
3	05104083AA	1	2, 6	L	06	EX8	DGZ		SHAFT, Drive, Rear, Front section
		1	2, 6	L	11, 12, 14, 15, 16	EX8	DGZ		
		1	2, 6	L	51, 52, 54, 55, 56	EX8	DGZ		
		1	3, 7	L	02, 06	EX8	DGZ		
		1	3, 7	L	12, 15, 16	EX8	DGZ		
4	05103939AA	12	2, 6	L	06	EX8	DGZ		BOLT
		12	2, 6	L	16	EX8	DGZ		
		12	2, 6	L	56	EX8	DGZ		
		12	3, 7	L	06	EX8	DGZ		
		12	3, 7	L	16	EX8	DGZ		
5									CENTER BEARING, Drive Shaft

SPRINTER (VA)

SERIES	LINE	BODY	ENGINE	TRANSMISSION
L = LOWLINE	3 = HD DODGE 2WD 8 = HD DODGE 4WD 6 = Lt. Duty DODGE 4WD 2 = Med. Duty DODGE 2WD 7 = Med. Duty DODGE 4WD 4 = TRUCK	01 = CHASSIS FORWARD CONTROL W.B.1 02 = CAB CHASSIS WHEEL BASE 2 06 = CAB CHASSIS WHEEL BASE 6 11 = VAN WHEEL BASE 1 12 = VAN WHEEL BASE 2 51 = WAGON WHEEL BASE 1 52 = WAGON WHEEL BASE 2 14 = VAN WHEEL BASE 4 15 = VAN WHEEL BASE 5 54 = WAGON WHEEL BASE 4 55 = WAGON WHEEL BASE 5 56 = WAGON WHEEL BASE 6 16 = VAN WHEEL BASE 6	EX8 = 2.7L I5 Turbo Diesel Engine EX9 = 2.7L I5 Mercedes-Benz TD Engine	DGJ = 5-Speed Automatic MB Transmission DGZ = 4-Spd. Automatic MT643 Transmission

AR = use ase required - = Non illustrated part

**Shaft, Propeller, Rear, 3 Piece
Figure 16-130**



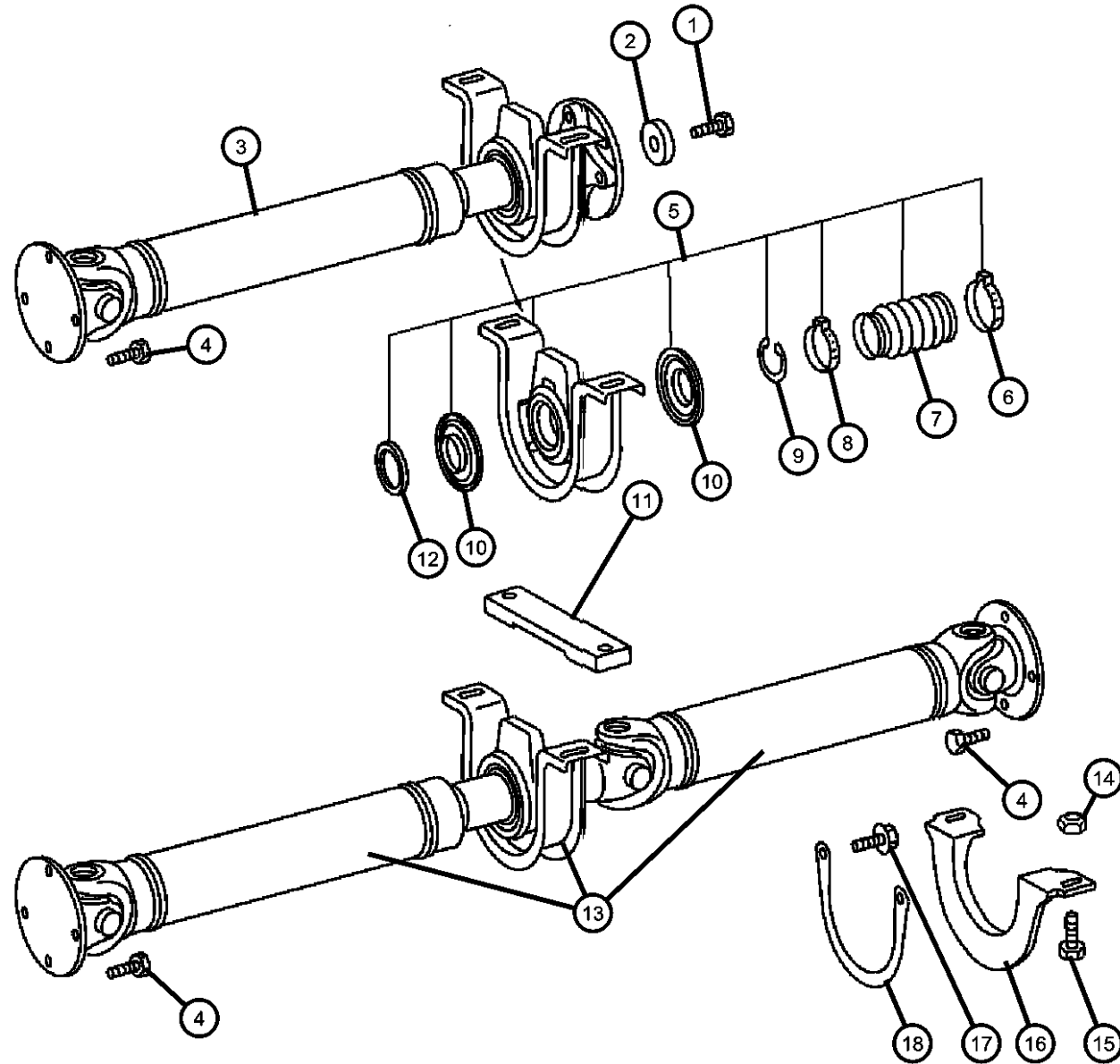
ITEM	PART NUMBER	QTY	LINE	SERIES	BODY	ENGINE	TRANS	TRIM	DESCRIPTION
	05104574AA	1	2, 6	L	01, 02, 06	EX8	DGZ		
		1	2, 6	L	11, 12, 14, 15, 16	EX8	DGZ		
		1	2, 6	L	51, 52, 54, 55, 56	EX8	DGZ		
		1	3, 7	L	02, 06	EX8	DGZ		
		1	3, 7	L	12, 15, 16	EX8	DGZ		
6	05133900AA	1	2, 6	L	01, 02, 06	EX8	DGZ		CLAMP, Boot
		1	2, 6	L	11, 12, 14, 15, 16	EX8	DGZ		
		1	2, 6	L	51, 52, 54, 55, 56	EX8	DGZ		
		1	3, 7	L	02, 06	EX8	DGZ		
		1	3, 7	L	12, 15, 16	EX8	DGZ		
7	05133897AA	1	2, 6	L	01, 02, 06	EX8	DGZ		BOOT, Driveshaft
		1	2, 6	L	11, 12, 14, 15, 16	EX8	DGZ		
		1	2, 6	L	51, 52, 54, 55, 56	EX8	DGZ		
		1	3, 7	L	02, 06	EX8	DGZ		
		1	3, 7	L	12, 15, 16	EX8	DGZ		
8	05133899AA	1	2, 6	L	01, 02, 06	EX8	DGZ		CLAMP, Boot
		1	2, 6	L	11, 12, 14, 15, 16	EX8	DGZ		
		1	2, 6	L	51, 52, 54, 55, 56	EX8	DGZ		
		1	3, 7	L	02, 06	EX8	DGZ		
		1	3, 7	L	12, 15, 16	EX8	DGZ		

SPRINTER (VA)

SERIES	LINE	BODY	ENGINE	TRANSMISSION
L = LOWLINE	3 = HD DODGE 2WD 8 = HD DODGE 4WD 6 = Lt. Duty DODGE 4WD 2 = Med. Duty DODGE 2WD 7 = Med. Duty DODGE 4WD 4 = TRUCK	01 = CHASSIS FORWARD CONTROL W.B.1 02 = CAB CHASSIS WHEEL BASE 2 06 = CAB CHASSIS WHEEL BASE 6 11 = VAN WHEEL BASE 1 12 = VAN WHEEL BASE 2 51 = WAGON WHEEL BASE 1 52 = WAGON WHEEL BASE 2 14 = VAN WHEEL BASE 4 15 = VAN WHEEL BASE 5 54 = WAGON WHEEL BASE 4 55 = WAGON WHEEL BASE 5 56 = WAGON WHEEL BASE 6 16 = VAN WHEEL BASE 6	EX8 = 2.7L I5 Turbo Diesel Engine EX9 = 2.7L I5 Mercedes-Benz TD Engine	DGJ = 5-Speed Automatic MB Transmission DGZ = 4-Spd. Automatic MT643 Transmission

AR = use ase required - = Non illustrated part

Shaft, Propeller, Rear, 3 Piece
Figure 16-130



ITEM	PART NUMBER	QTY	LINE	SERIES	BODY	ENGINE	TRANS	TRIM	DESCRIPTION
9		1							SNAP RING, Purchase Item 5, (NOT SERVICED)
10	05133898AA	1	2, 6	L	01, 02, 06	EX8	DGZ		BOOT, Driveshaft
		1	2, 6	L	11, 12, 14, 15, 16	EX8	DGZ		
		1	2, 6	L	51, 52, 54, 55, 56	EX8	DGZ		
		1	3, 7	L	02, 06	EX8	DGZ		
		1	3, 7	L	12, 15, 16	EX8	DGZ		
11	05129044AA	2		L			DGZ		SHIM, Drive Shaft Bearing
12	05129044AA	2							THRUST WASHER, Purchase Item 5, (NOT SERVICED)
13	05104084AA	1	6, 2	L	06	EX8	DGZ		SHAFT, Drive, Rear, Rear section
		1	2, 6	L	11, 12, 14, 15, 16	EX8	DGZ		
		1	2, 6	L	51, 52, 54, 55, 56	EX8	DGZ		
		1	3, 7	L	06	EX8	DGZ		
		1	3, 7	L	12, 15, 16	EX8	DGZ		
14	06104718AA	2	2, 6	L	01, 02, 06	EX8	DGZ		NUT
		2	2, 6	L	11, 12, 14, 15, 16	EX8	DGZ		
		2	2, 6	L	51, 52, 54, 55, 56	EX8	DGZ		
		2	3, 7	L	02, 06	EX8	DGZ		
		2	3, 7	L	12, 15, 16	EX8	DGZ		
15	05133896AA	4	2, 6	L	06	EX8	DGZ		BOLT, Hex

SPRINTER (VA)

SERIES

L = LOWLINE

LINE

3 = HD DODGE 2WD
8 = HD DODGE 4WD
6 = Lt. Duty DODGE 4WD
2 = Med. Duty DODGE 2WD
7 = Med. Duty DODGE 4WD
4 = TRUCK

BODY

01 = CHASSIS FORWARD
CONTROL W.B.1
02 = CAB CHASSIS WHEEL
BASE 2
06 = CAB CHASSIS WHEEL
BASE 6
11 = VAN WHEEL BASE 1
12 = VAN WHEEL BASE 2
51 = WAGON WHEEL BASE 1
52 = WAGON WHEEL BASE 2
14 = VAN WHEEL BASE 4
15 = VAN WHEEL BASE 5
54 = WAGON WHEEL BASE 4
55 = WAGON WHEEL BASE 5
56 = WAGON WHEEL BASE 6
16 = VAN WHEEL BASE 6

ENGINE

EX8 = 2.7L I5 Turbo Diesel
Engine
EX9 = 2.7L I5 Mercedes-Benz
TD Engine

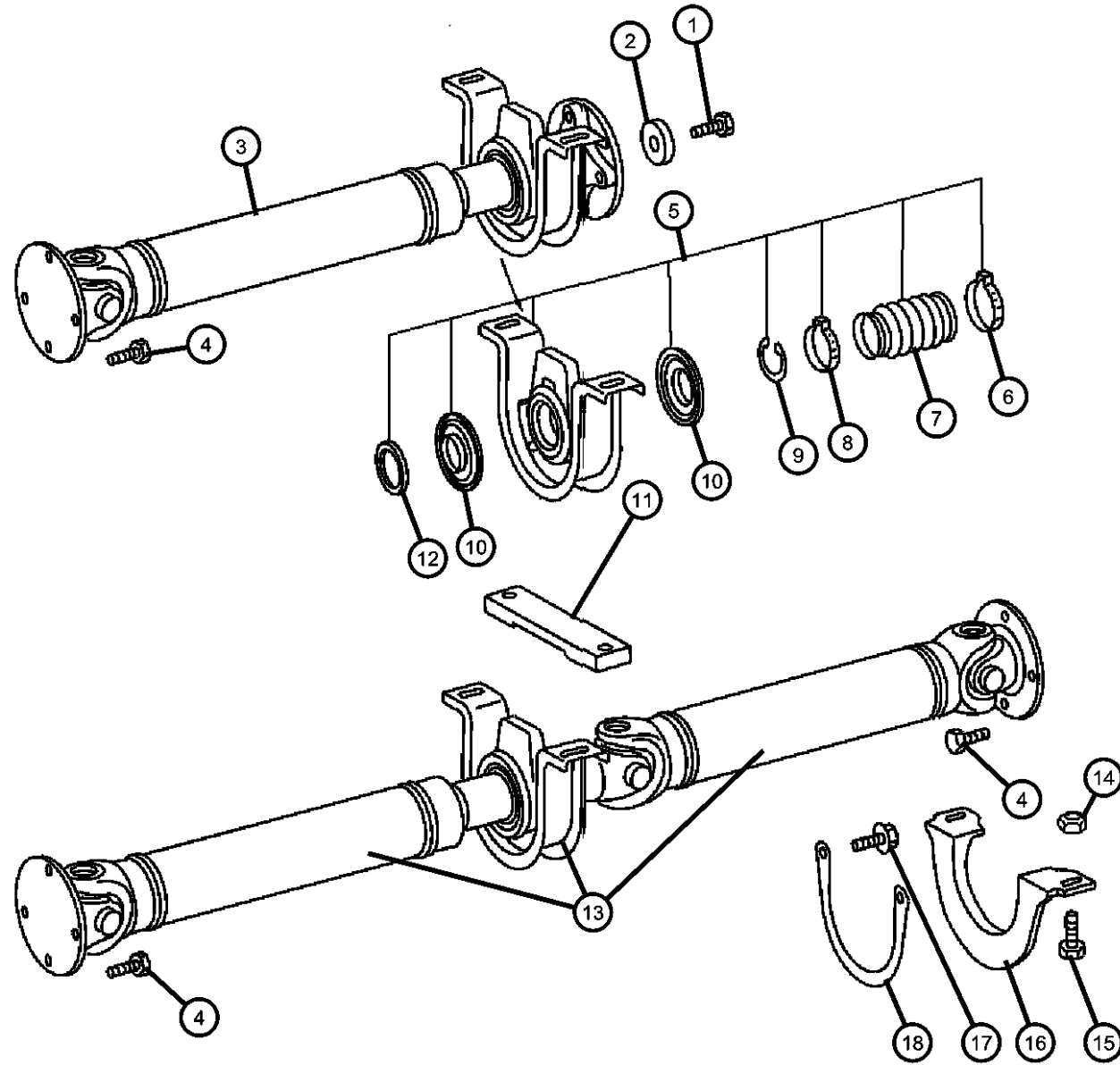
TRANSMISSION

DGJ = 5-Speed Automatic MB
Transmission
DGZ = 4-Spd. Automatic MT643
Transmission

AR = use ase required - = Non illustrated part

2006 VA

**Shaft, Propeller, Rear, 3 Piece
Figure 16-130**



ITEM	PART NUMBER	QTY	LINE	SERIES	BODY	ENGINE	TRANS	TRIM	DESCRIPTION
16	05119133AA	4	2, 6	L	11, 12, 14, 15, 16	EX8	DGZ		BRACKET, Prop Shaft
		4	2, 6	L	51, 52, 54, 55, 56	EX8	DGZ		
		4	3, 7	L	06	EX8	DGZ		
		4	3, 7	L	12, 15, 16	EX8	DGZ		
		2	2, 6	L	06	EX8	DGZ		
		2	2, 6	L	11, 12, 14, 15, 16	EX8	DGZ		
		2	2, 6	L	51, 52, 54, 55, 56	EX8	DGZ		
		2	3, 7	L	06	EX8	DGZ		
		2	3, 7	L	12, 15, 16	EX8	DGZ		
		17	06104234AA	2	2, 6	L	01, 02, 06	EX8	
2	2, 6			L	11, 12, 14, 15, 16	EX8	DGZ		
2	2, 6			L	51, 52, 54, 55, 56	EX8	DGZ		
2	3, 7			L	02, 06	EX8	DGZ		
2	3, 7			L	12, 15, 16	EX8	DGZ		
2	3, 7			L	12, 15, 16	EX8	DGZ		
18	05119131AA	1	2, 6	L	01, 02, 06	EX8	DGZ		STRAP, Prop Shaft
		1	2, 6	L	11, 12, 14, 15, 16	EX8	DGZ		
		1	2, 6	L	51, 52, 54, 55, 56	EX8	DGZ		
		1	3, 7	L	02, 06	EX8	DGZ		
		1	3, 7	L	12, 15, 16	EX8	DGZ		
		1	3, 7	L	12, 15, 16	EX8	DGZ		

SPRINTER (VA)

SERIES
L = LOWLINE

LINE
3 = HD DODGE 2WD
8 = HD DODGE 4WD
6 = Lt. Duty DODGE 4WD
2 = Med. Duty DODGE 2WD
7 = Med. Duty DODGE 4WD
4 = TRUCK

BODY
01 = CHASSIS FORWARD CONTROL W.B.1
02 = CAB CHASSIS WHEEL BASE 2
06 = CAB CHASSIS WHEEL BASE 6
11 = VAN WHEEL BASE 1
12 = VAN WHEEL BASE 2
51 = WAGON WHEEL BASE 1
52 = WAGON WHEEL BASE 2
14 = VAN WHEEL BASE 4
15 = VAN WHEEL BASE 5
54 = WAGON WHEEL BASE 4
55 = WAGON WHEEL BASE 5
56 = WAGON WHEEL BASE 6
16 = VAN WHEEL BASE 6

ENGINE
EX8 = 2.7L I5 Turbo Diesel Engine
EX9 = 2.7L I5 Mercedes-Benz TD Engine

TRANSMISSION
DGJ = 5-Speed Automatic MB Transmission
DGZ = 4-Spd. Automatic MT643 Transmission

AR = use ase required - = Non illustrated part

2006 VA

Group - 17

Rear Suspension

Group - 17 Rear Suspension

Group-Fig. No.

Illustration Title

Rear Suspension

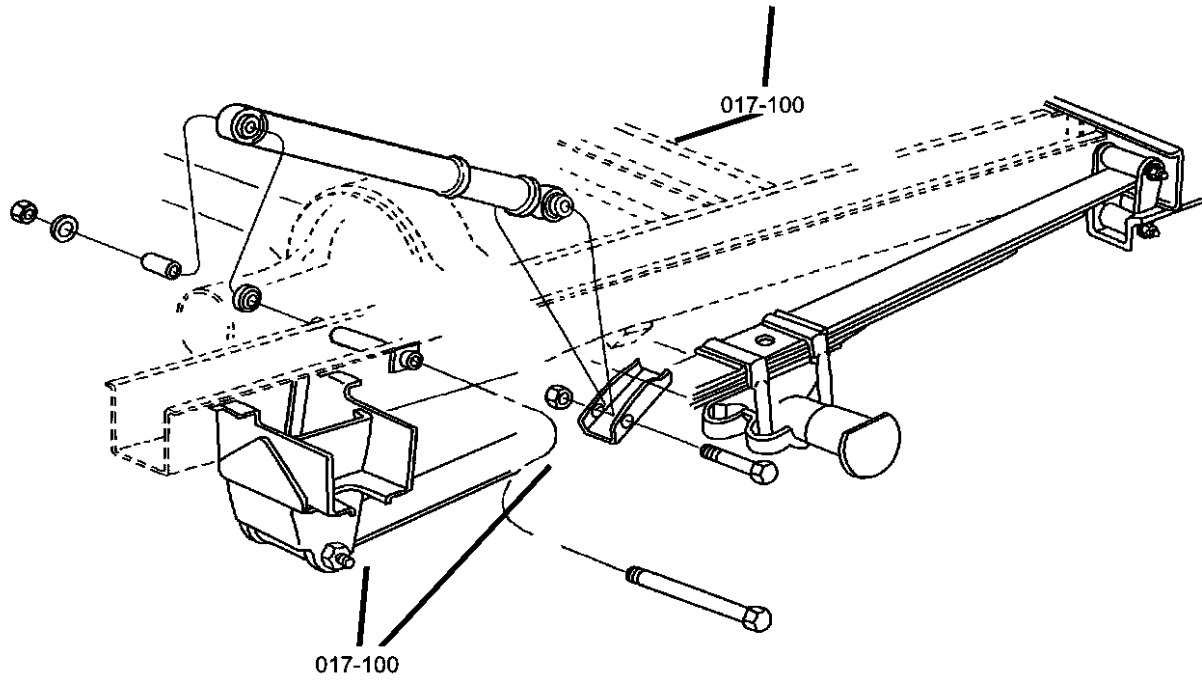
Rear Shocks Fig. 17 - 110

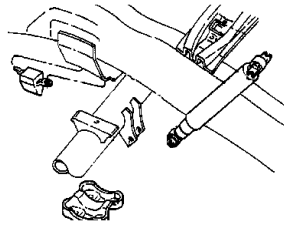
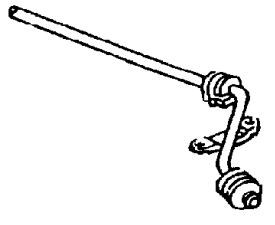
Rear Springs, 2500 Series Fig. 17 - 120

Rear Springs, 3500 Series Fig. 17 - 130

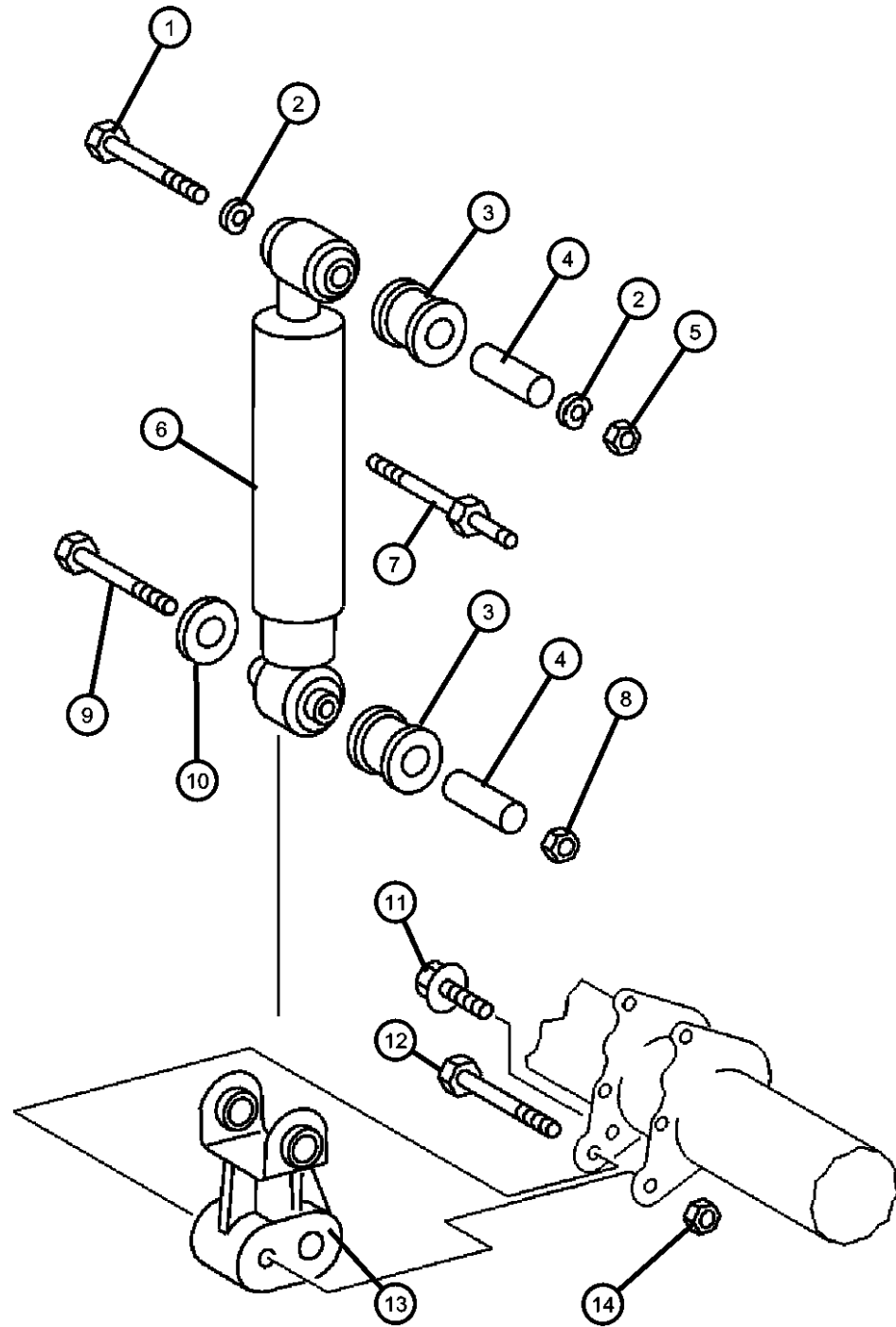
Rear Stabilizer

Stabilizer Bar,Rear Fig. 17 - 210



<p>017-100 Rear Suspension</p> 	<p>017-200 Rear Stabilizer</p> 		
--	---	--	--

**Rear Shocks
Figure 17-110**



ITEM	PART NUMBER	QTY	LINE	SERIES	BODY	ENGINE	TRANS	TRIM	DESCRIPTION
------	-------------	-----	------	--------	------	--------	-------	------	-------------

Note: Sales Codes;
[WDG]=16X6 Steel Wheels
[3B5]=Shock Absorbers Reinforced

1									SCREW
	06104265AA	2	3, 7	L	02, 06	EX8	DGZ		M14x1.5x150
		2	3, 7	L	12, 15, 16	EX8	DGZ		M14x1.5x150
	06104271AA	2	2, 6	L	01, 02, 06	EX8	DGZ		M14x1.5x150
		2	2, 6	L	11, 12, 14, 15, 16	EX8	DGZ		M14x1.5x150
		2	2, 6	L	51, 52, 54, 55, 56	EX8	DGZ		M14x1.5x150
2									SPACER, Shock Absorber Bushing
	05133876AA	4	3, 7	L	02, 06	EX8	DGZ		
		4	3, 7	L	12, 15, 16	EX8	DGZ		
	05133883AA	4	2, 6	L	01, 02, 06	EX8	DGZ		
		4	2, 6	L	11, 12, 14, 15, 16	EX8	DGZ		
		4	2, 6	L	51, 52, 54, 55, 56	EX8	DGZ		
3									BUSHING, Shock Absorber
	05133873AA	4	3, 7	L	02, 06	EX8	DGZ		Upper or Lower
		4	3, 7	L	12, 15, 16	EX8	DGZ		Upper or Lower
	05133879AA	2	2, 6	L	01, 02, 06	EX8	DGZ		Upper
		2	2, 6	L	11, 12, 14, 15, 16	EX8	DGZ		Upper
		2	2, 6	L	51, 52, 54, 55, 56	EX8	DGZ		Upper
	05133880AA	4	2, 6	L	01, 02, 06	EX8	DGZ		Lower
		4	2, 6	L	11, 12, 14, 15, 16	EX8	DGZ		Lower
		4	2, 6	L	51, 52, 54, 55, 56	EX8	DGZ		Lower
4									SLEEVE, Shock Absorber

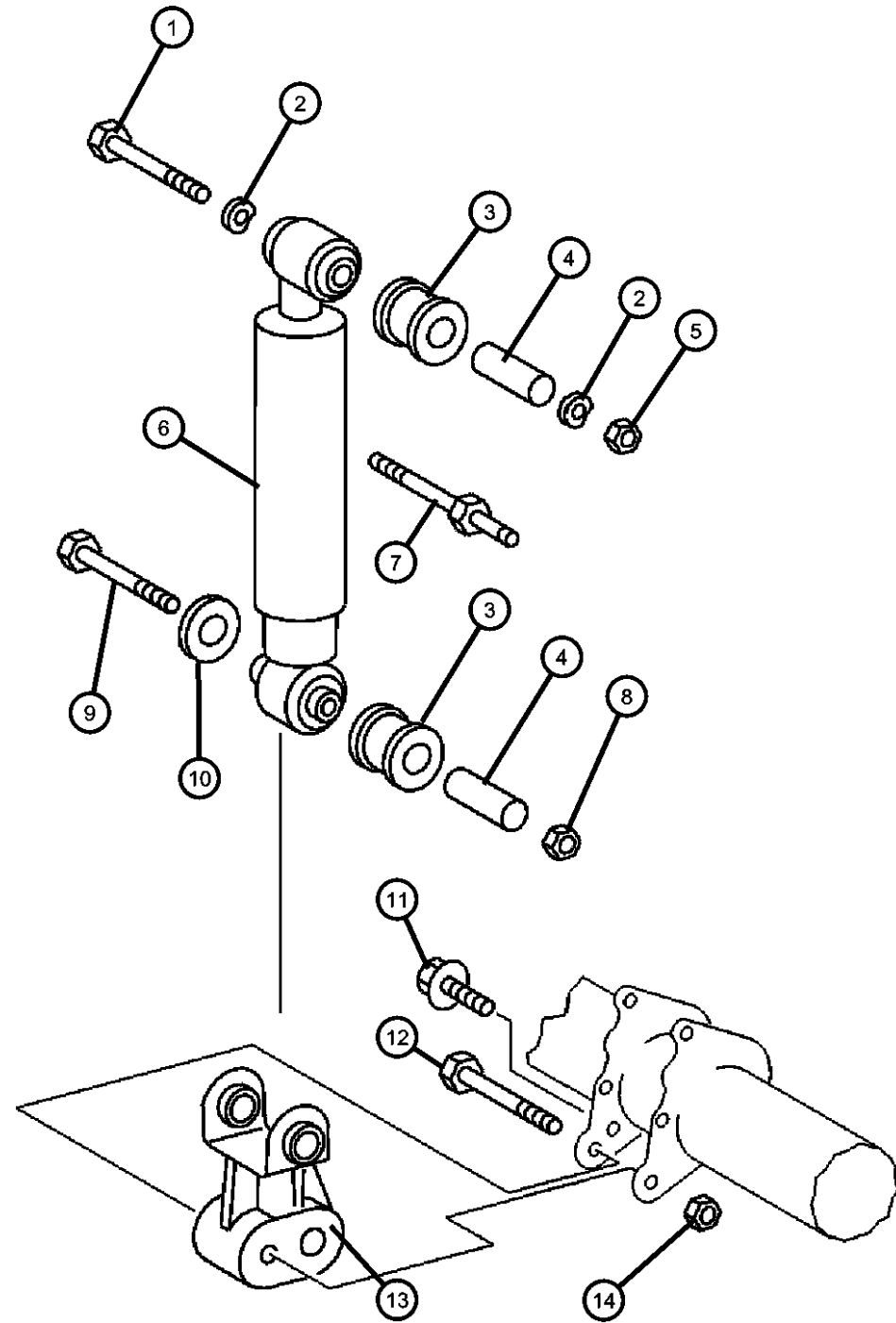
SPRINTER (VA)

SERIES	LINE	BODY	ENGINE	TRANSMISSION
L = LOWLINE	3 = HD DODGE 2WD 8 = HD DODGE 4WD 6 = Lt. Duty DODGE 4WD 2 = Med. Duty DODGE 2WD 7 = Med. Duty DODGE 4WD 4 = TRUCK	01 = CHASSIS FORWARD CONTROL W.B.1 02 = CAB CHASSIS WHEEL BASE 2 06 = CAB CHASSIS WHEEL BASE 6 11 = VAN WHEEL BASE 1 12 = VAN WHEEL BASE 2 51 = WAGON WHEEL BASE 1 52 = WAGON WHEEL BASE 2 14 = VAN WHEEL BASE 4 15 = VAN WHEEL BASE 5 54 = WAGON WHEEL BASE 4 55 = WAGON WHEEL BASE 5 56 = WAGON WHEEL BASE 6 16 = VAN WHEEL BASE 6	EX8 = 2.7L I5 Turbo Diesel Engine EX9 = 2.7L I5 Mercedes-Benz TD Engine	DGJ = 5-Speed Automatic MB Transmission DGZ = 4-Spd. Automatic MT643 Transmission

AR = use ase required - = Non illustrated part

2006 VA

Rear Shocks
Figure 17-110



ITEM	PART NUMBER	QTY	LINE	SERIES	BODY	ENGINE	TRANS	TRIM	DESCRIPTION
	05133874AA	2	3, 7	L	02, 06	EX8	DGZ		Upper
		2	3, 7	L	12, 15, 16	EX8	DGZ		Upper
	05133875AA	2	3, 7	L	02, 06	EX8	DGZ		Lower
		2	3, 7	L	12, 15, 16	EX8	DGZ		Lower
	05133881AA	2	2, 6	L	01, 02, 06	EX8	DGZ		Upper
		2	2, 6	L	11, 12, 14, 15, 16	EX8	DGZ		Upper
		2	2, 6	L	51, 52, 54, 55, 56	EX8	DGZ		Upper
	05133882AA	2	2, 6	L	01, 02, 06	EX8	DGZ		Lower
		2	2, 6	L	11, 12, 14, 15, 16	EX8	DGZ		Lower
		2	2, 6	L	51, 52, 54, 55, 56	EX8	DGZ		Lower
5									NUT
	06104719AA	2	2, 6	L	01, 02, 06	EX8	DGZ		M14x1.5
		2	2, 6	L	11, 12, 14, 15, 16	EX8	DGZ		M14x1.5
		2	2, 6	L	51, 52, 54, 55, 56	EX8	DGZ		M14x1.5
		2	3, 7	L	02, 06	EX8	DGZ		M14x1.5
		2	3, 7	L	12, 15, 16	EX8	DGZ		M14x1.5
6									SHOCK ABSORBER, Suspension, Rear
	05104061AA	2	2, 6	L	01, 02, 06	EX8	DGZ		[3B5]
		2	2, 6	L	11, 12, 14, 15, 16	EX8	DGZ		[3B5]
		2	2, 6	L	51, 52, 54, 55, 56	EX8	DGZ		[3B5]
	05118646AA	2	2, 6	L	01, 02, 06	EX8	DGZ		Without [3B5,WDG]
		2	2, 6	L	11, 12, 14, 15, 16	EX8	DGZ		Without [3B5,WDG]

SPRINTER (VA)

SERIES

L = LOWLINE

LINE

3 = HD DODGE 2WD
8 = HD DODGE 4WD
6 = Lt. Duty DODGE 4WD
2 = Med. Duty DODGE 2WD
7 = Med. Duty DODGE 4WD
4 = TRUCK

BODY

01 = CHASSIS FORWARD CONTROL W.B.1
02 = CAB CHASSIS WHEEL BASE 2
06 = CAB CHASSIS WHEEL BASE 6
11 = VAN WHEEL BASE 1
12 = VAN WHEEL BASE 2
51 = WAGON WHEEL BASE 1
52 = WAGON WHEEL BASE 2
14 = VAN WHEEL BASE 4
15 = VAN WHEEL BASE 5
54 = WAGON WHEEL BASE 4
55 = WAGON WHEEL BASE 5
56 = WAGON WHEEL BASE 6
16 = VAN WHEEL BASE 6

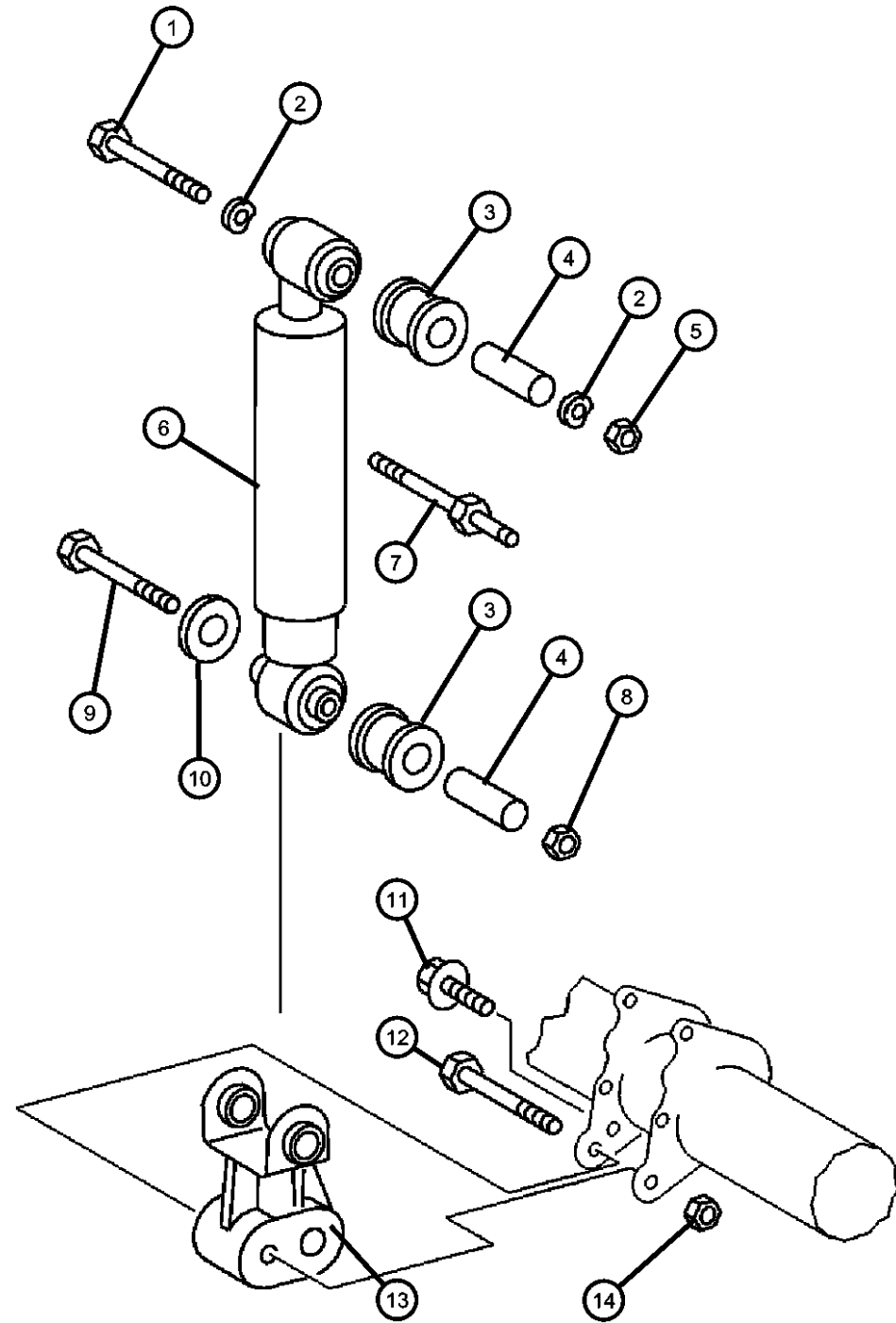
ENGINE

EX8 = 2.7L I5 Turbo Diesel Engine
EX9 = 2.7L I5 Mercedes-Benz TD Engine

TRANSMISSION

DGJ = 5-Speed Automatic MB Transmission
DGZ = 4-Spd. Automatic MT643 Transmission

Rear Shocks
Figure 17-110



ITEM	PART NUMBER	QTY	LINE	SERIES	BODY	ENGINE	TRANS	TRIM	DESCRIPTION
		2	2, 6	L	51, 52, 54, 55, 56	EX8	DGZ		Without [3B5,WDG]
	05118648AA	2	3, 7	L	02, 06	EX8	DGZ		
		2	3, 7	L	12, 15, 16	EX8	DGZ		
	05127644AA	2	2, 6	L	01, 02, 06	EX8	DGZ		[3B5,WDG]
		2	2, 6	L	11, 12, 14, 15, 16	EX8	DGZ		[3B5,WDG]
		2	2, 6	L	51, 52, 54, 55, 56	EX8	DGZ		[3B5,WDG]
7									BOLT
	05118796AA	1	2, 6	L	01, 02, 06	EX8	DGZ		
		1	2, 6	L	11, 12, 14, 15, 16	EX8	DGZ		
		1	2, 6	L	51, 52, 54, 55, 56	EX8	DGZ		
8									NUT
	06104718AA	2	2, 6	L	01, 02, 06	EX8	DGZ		
		2	2, 6	L	11, 12, 14, 15, 16	EX8	DGZ		
		2	2, 6	L	51, 52, 54, 55, 56	EX8	DGZ		
		2	3, 7	L	02, 06	EX8	DGZ		
		2	3, 7	L	12, 15, 16	EX8	DGZ		
9									SCREW
	06104241AA	2	2, 6	L	01, 02, 06	EX8	DGZ		M12x1.5x65
		2	2, 6	L	11, 12, 14, 15, 16	EX8	DGZ		M12x1.5x65
		2	2, 6	L	51, 52, 54, 55, 56	EX8	DGZ		M12x1.5x65
	06104270AA	2	3, 7	L	02, 06	EX8	DGZ		M12x1.5x65
		2	3, 7	L	12, 15, 16	EX8	DGZ		M12x1.5x65
10									WASHER, Shock Absorber

SPRINTER (VA)

SERIES

L = LOWLINE

LINE

3 = HD DODGE 2WD
8 = HD DODGE 4WD
6 = Lt. Duty DODGE 4WD
2 = Med. Duty DODGE 2WD
7 = Med. Duty DODGE 4WD
4 = TRUCK

BODY

01 = CHASSIS FORWARD CONTROL W.B.1
02 = CAB CHASSIS WHEEL BASE 2
06 = CAB CHASSIS WHEEL BASE 6
11 = VAN WHEEL BASE 1
12 = VAN WHEEL BASE 2
51 = WAGON WHEEL BASE 1
52 = WAGON WHEEL BASE 2
14 = VAN WHEEL BASE 4
15 = VAN WHEEL BASE 5
54 = WAGON WHEEL BASE 4
55 = WAGON WHEEL BASE 5
56 = WAGON WHEEL BASE 6
16 = VAN WHEEL BASE 6

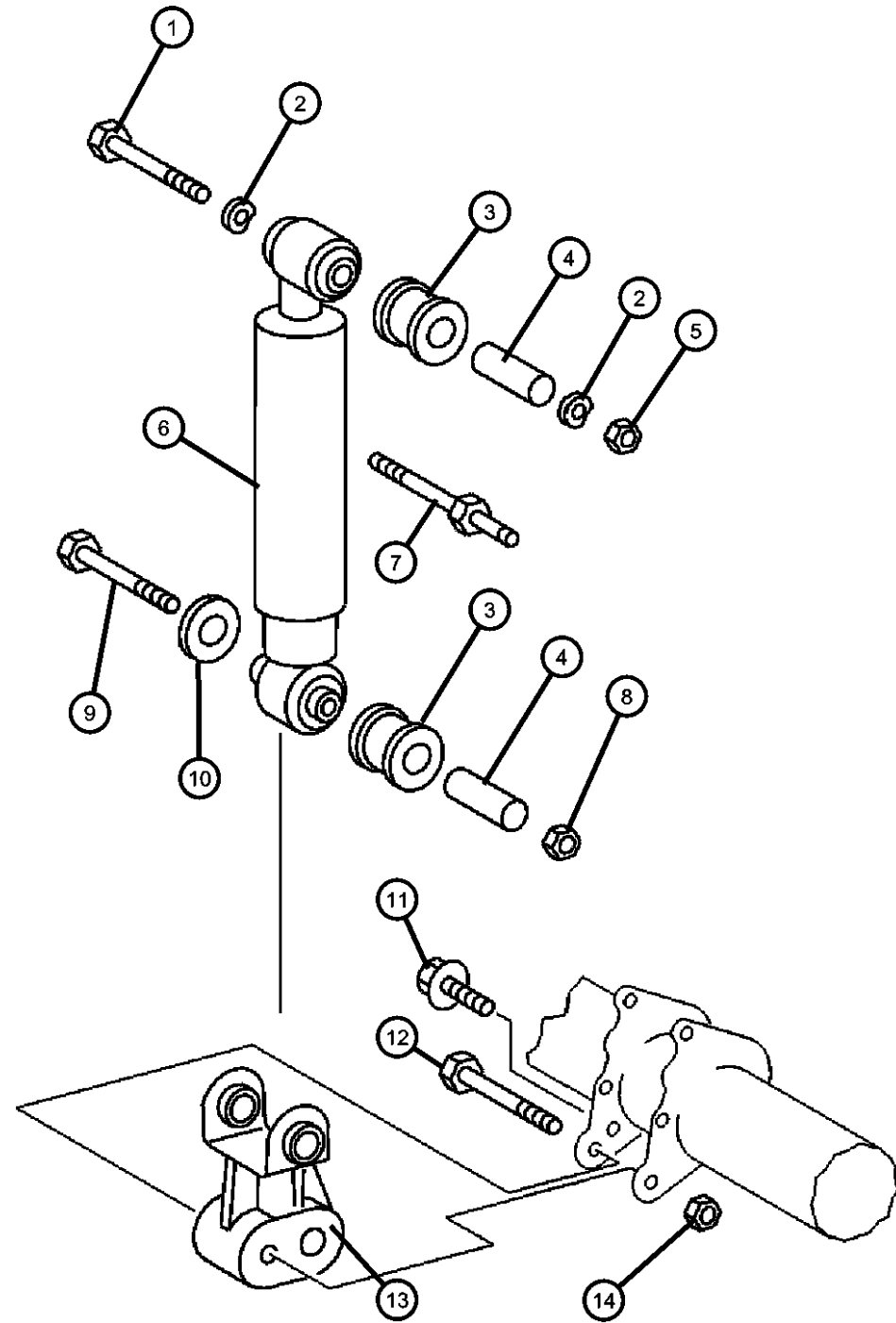
ENGINE

EX8 = 2.7L I5 Turbo Diesel Engine
EX9 = 2.7L I5 Mercedes-Benz TD Engine

TRANSMISSION

DGJ = 5-Speed Automatic MB Transmission
DGZ = 4-Spd. Automatic MT643 Transmission

Rear Shocks
Figure 17-110



ITEM	PART NUMBER	QTY	LINE	SERIES	BODY	ENGINE	TRANS	TRIM	DESCRIPTION
	05133877AA	4	3, 7	L	02, 06	EX8	DGZ		
		4	3, 7	L	12, 15, 16	EX8	DGZ		
11	06104223AA	1	2, 3, 6, 7				DGZ		BOLT
12									SCREW
	06104243AA	2	2, 6	L	11, 12, 14, 15, 16	EX8	DGZ		M12x1.5x80
		2	2, 6	L	51, 52, 54, 55, 56	EX8	DGZ		M12x1.5x80
13		2							BRACKET, (NOT SERVICED),
14									NUT
	06104717AA	4	2, 6	L	01, 02, 06	EX8	DGZ		M10x1.5
		4	2, 6	L	11, 12, 14, 15, 16	EX8	DGZ		M10x1.5
		4	2, 6	L	51, 52, 54, 55, 56	EX8	DGZ		M10x1.5
		4	3, 7	L	02, 06	EX8	DGZ		M10x1.5
		4	3, 7	L	12, 15, 16	EX8	DGZ		M10x1.5
	06104718AA	2	2, 6	L	01, 02, 06	EX8	DGZ		M12x1.5
		2	2, 6	L	11, 12, 14, 15, 16	EX8	DGZ		M12x1.5
		2	2, 6	L	51, 52, 54, 55, 56	EX8	DGZ		M12x1.5
		2	3, 7	L	02, 06	EX8	DGZ		M12x1.5
		2	3, 7	L	12, 15, 16	EX8	DGZ		M12x1.5

SPRINTER (VA)

SERIES

L = LOWLINE

LINE

3 = HD DODGE 2WD
8 = HD DODGE 4WD
6 = Lt. Duty DODGE 4WD
2 = Med. Duty DODGE 2WD
7 = Med. Duty DODGE 4WD
4 = TRUCK

BODY

01 = CHASSIS FORWARD CONTROL W.B.1
02 = CAB CHASSIS WHEEL BASE 2
06 = CAB CHASSIS WHEEL BASE 6
11 = VAN WHEEL BASE 1
12 = VAN WHEEL BASE 2
51 = WAGON WHEEL BASE 1
52 = WAGON WHEEL BASE 2
14 = VAN WHEEL BASE 4
15 = VAN WHEEL BASE 5
54 = WAGON WHEEL BASE 4
55 = WAGON WHEEL BASE 5
56 = WAGON WHEEL BASE 6
16 = VAN WHEEL BASE 6

ENGINE

EX8 = 2.7L I5 Turbo Diesel Engine
EX9 = 2.7L I5 Mercedes-Benz TD Engine

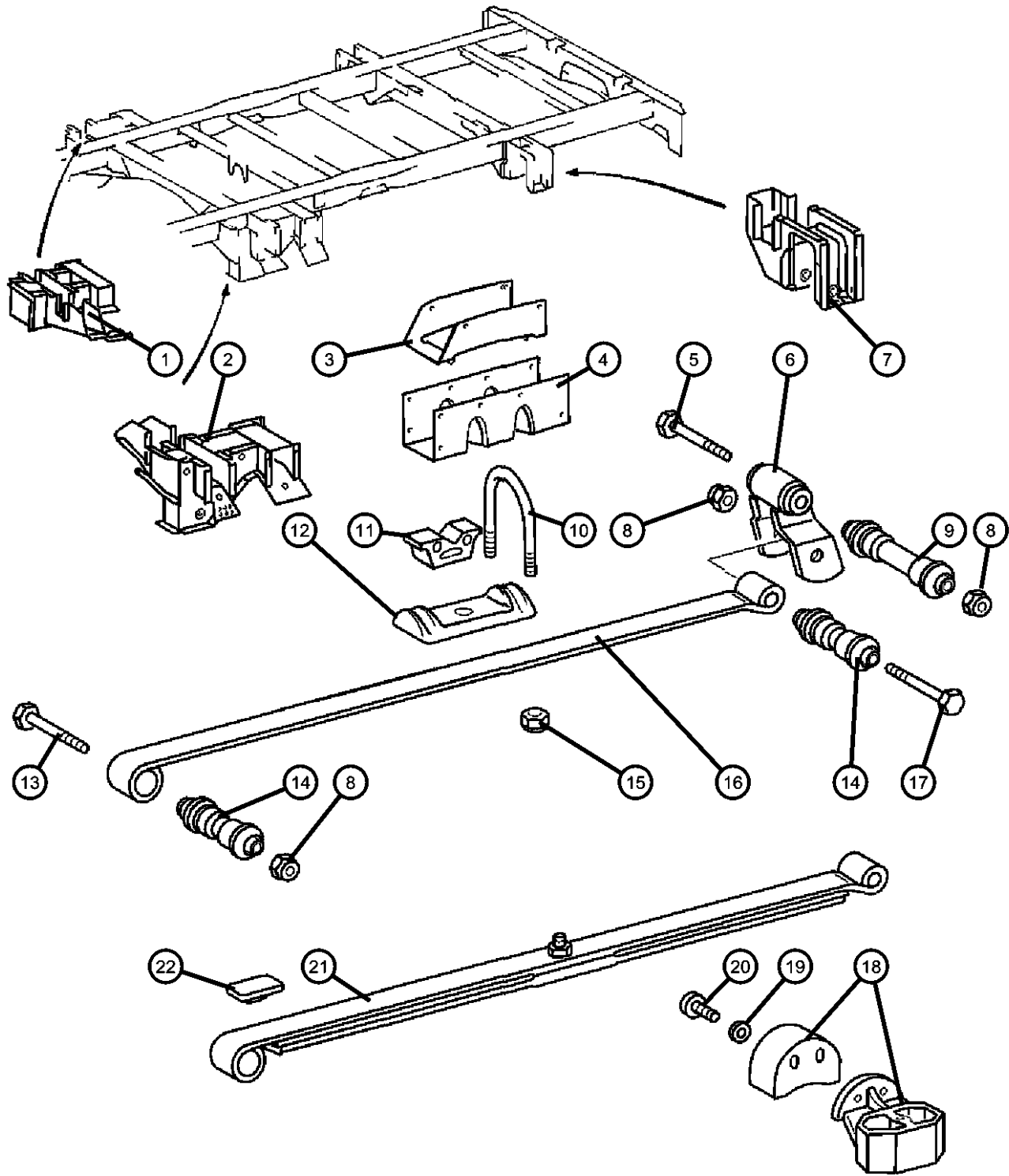
TRANSMISSION

DGJ = 5-Speed Automatic MB Transmission
DGZ = 4-Spd. Automatic MT643 Transmission

AR = use ase required - = Non illustrated part

2006 VA

Rear Springs, 2500 Series
Figure 17-120



ITEM	PART NUMBER	QTY	LINE	SERIES	BODY	ENGINE	TRANS	TRIM	DESCRIPTION
1	05118670AA	1	2, 6	L	12, 15, 16	EX8	DGZ		BRACKET, Spring Shackle Right Front
		1	2, 6	L	52, 55, 56	EX8	DGZ		Right Front
	05118672AA	1	2, 6	L	11, 14	EX8	DGZ		Right Front
		1	2, 6	L	51, 54	EX8	DGZ		Right Front
2	05118676AA	2	2, 6	L	01, 02, 06	EX8	DGZ		Right or Left BRACKET, Spring Shackle
	05118668AA	1	2, 6	L	12, 15, 16	EX8	DGZ		
	05128553AA	1	2, 6	L	11, 14	EX8	DGZ		
3		1	2, 6	L	51, 54	EX8	DGZ		
	05118337AA	2	2, 6	L	01, 02, 06	EX8	DGZ		BRACKET
		2	2, 6	L	11, 12, 14, 15, 16	EX8	DGZ		
4		2	2, 6	L	51, 52, 54, 55, 56	EX8	DGZ		
	05118347AA	2	2, 6	L	01, 02, 06	EX8	DGZ		TRUSS, Leaf spring
		2	2, 6	L	12, 15, 16	EX8	DGZ		Without [CMZ+4XZ]
		2	2, 6	L	11, 14	EX8	DGZ		With [CMZ+4XZ]
		2	2, 6	L	52, 55, 56	EX8	DGZ		Without [4XZ]
	05128390AA	2	2, 6	L	51, 54	EX8	DGZ		With [4XZ]
		2	2, 6	L	52, 55, 56	EX8	DGZ		With [4XZ]
5		2	2, 6	L	12, 15, 16	EX8	DGZ		With [4XZ]
	05118734AA	2	2, 6	L	01, 02, 06	EX8	DGZ		BOLT Shackle to Frame, Mounting
		2	2, 6	L	11, 12, 14, 15, 16	EX8	DGZ		Shackle to Frame, Mounting

SPRINTER (VA)

SERIES

L = LOWLINE

3 = HD DODGE 2WD
8 = HD DODGE 4WD
6 = Lt. Duty DODGE 4WD
2 = Med. Duty DODGE 2WD
7 = Med. Duty DODGE 4WD
4 = TRUCK

BODY

01 = CHASSIS FORWARD CONTROL W.B.1
02 = CAB CHASSIS WHEEL BASE 2
06 = CAB CHASSIS WHEEL BASE 6
11 = VAN WHEEL BASE 1
12 = VAN WHEEL BASE 2
51 = WAGON WHEEL BASE 1
52 = WAGON WHEEL BASE 2
14 = VAN WHEEL BASE 4
15 = VAN WHEEL BASE 5
54 = WAGON WHEEL BASE 4
55 = WAGON WHEEL BASE 5
56 = WAGON WHEEL BASE 6
16 = VAN WHEEL BASE 6

ENGINE

EX8 = 2.7L I5 Turbo Diesel Engine
EX9 = 2.7L I5 Mercedes-Benz TD Engine

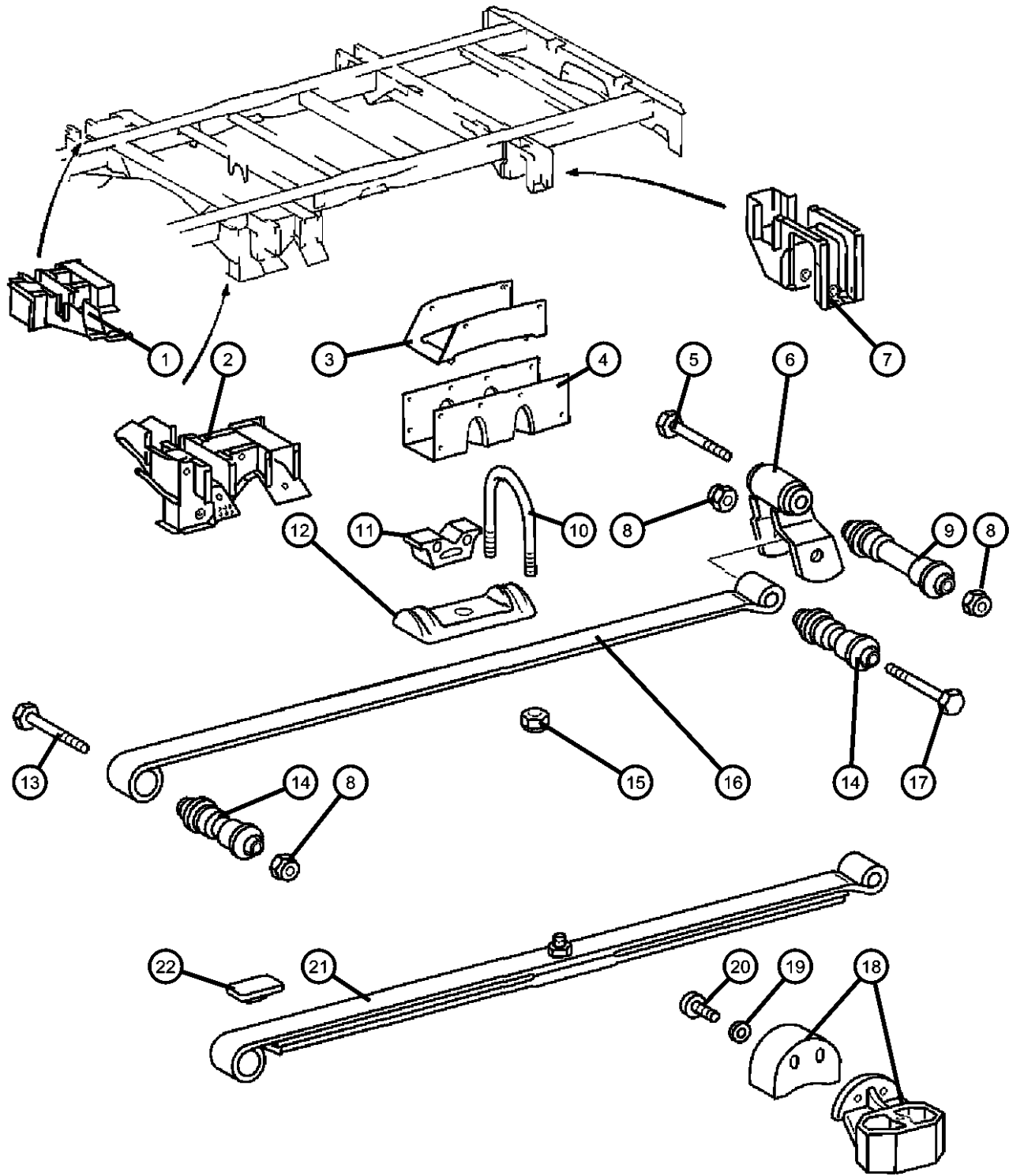
TRANSMISSION

DGJ = 5-Speed Automatic MB Transmission
DGZ = 4-Spd. Automatic MT643 Transmission

AR = use ase required - = Non illustrated part

2006 VA

Rear Springs, 2500 Series
Figure 17-120



ITEM	PART NUMBER	QTY	LINE	SERIES	BODY	ENGINE	TRANS	TRIM	DESCRIPTION
6		2	2, 6	L	51, 52, 54, 55, 56	EX8	DGZ		Shackle to Frame, Mounting
	05118653AA	2	2, 6	L	01, 02, 06	EX8	DGZ		SHACKLE, Spring
7		2	2, 6	L	11, 12, 14, 15, 16	EX8	DGZ		
		2	2, 6	L	51, 52, 54, 55, 56	EX8	DGZ		
	05118663AA	2	2, 6	L	01, 02, 06	EX8	DGZ		BRACKET, Spring Shackle
	05128557AA	2	2, 6	L	51, 54	EX8	DGZ		Without [4XZ]
	05128559AA	2	2, 6	L	12, 15	EX8	DGZ		[4XZ]
8	05128561AA	2	2, 6	L	52, 55	EX8	DGZ		[4XZ]
		2	2, 6	L	16	EX8	DGZ		[4XZ]
	05136654AA	2	2, 6	L	01, 02, 06	EX8	DGZ		[4XZ]
		2	2, 6	L	56	EX8	DGZ		[4XZ]
		2	2, 6	L	11, 14	EX8	DGZ		[4XZ]
	06104718AA	8	2, 6	L	01, 02, 06	EX8	DGZ		NUT
		8	2, 6	L	11, 12, 14, 15, 16	EX8	DGZ		Shackle to Frame and Spring, Mounting
		8	2, 6	L	51, 52, 54, 55, 56	EX8	DGZ		Shackle to Frame and Spring, Mounting
9		2	2, 6	L	01, 02, 06	EX8	DGZ		Shackle to Frame and Spring, Mounting
	05118731AA	2	2, 6	L	11, 12, 14, 15, 16	EX8	DGZ		Shackle to Frame and Spring, Mounting
		2	2, 6	L	51, 52, 54, 55, 56	EX8	DGZ		BUSHING, Shackle
10		2	2, 6	L	01, 02, 06	EX8	DGZ		
		2	2, 6	L	11, 12, 14, 15, 16	EX8	DGZ		
	05104069AA	4	2, 6	L	01, 02, 06	EX8	DGZ		U-BOLT

SPRINTER (VA)

SERIES

L = LOWLINE
 3 = HD DODGE 2WD
 8 = HD DODGE 4WD
 6 = Lt. Duty DODGE 4WD
 2 = Med. Duty DODGE 2WD
 7 = Med. Duty DODGE 4WD
 4 = TRUCK

BODY

01 = CHASSIS FORWARD CONTROL W.B.1
 02 = CAB CHASSIS WHEEL BASE 2
 06 = CAB CHASSIS WHEEL BASE 6
 11 = VAN WHEEL BASE 1
 12 = VAN WHEEL BASE 2
 51 = WAGON WHEEL BASE 1
 52 = WAGON WHEEL BASE 2
 14 = VAN WHEEL BASE 4
 15 = VAN WHEEL BASE 5
 54 = WAGON WHEEL BASE 4
 55 = WAGON WHEEL BASE 5
 56 = WAGON WHEEL BASE 6
 16 = VAN WHEEL BASE 6

ENGINE

EX8 = 2.7L I5 Turbo Diesel Engine
 EX9 = 2.7L I5 Mercedes-Benz TD Engine

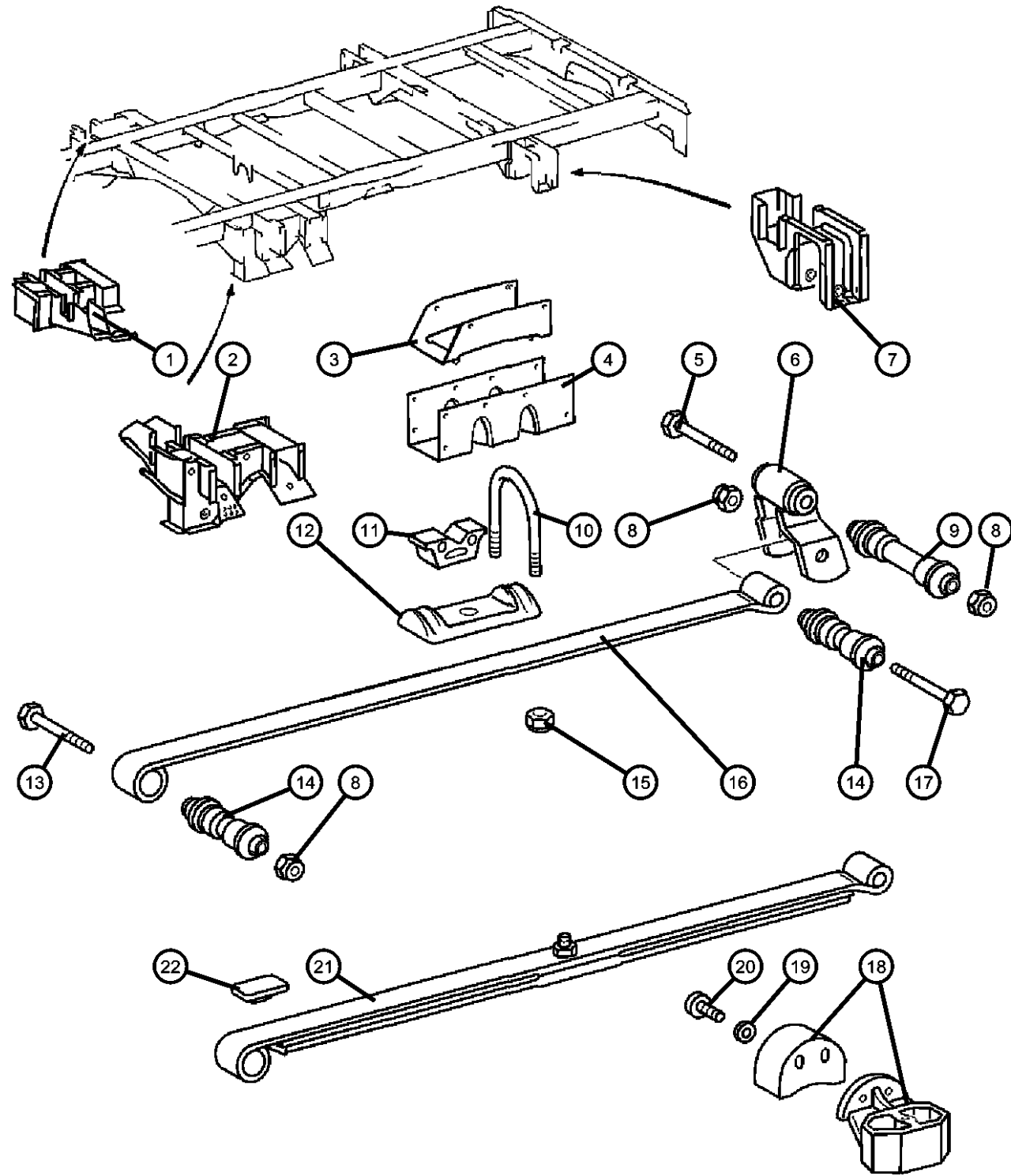
TRANSMISSION

DGJ = 5-Speed Automatic MB Transmission
 DGZ = 4-Spd. Automatic MT643 Transmission

AR = use ase required - = Non illustrated part

2006 VA

Rear Springs, 2500 Series
Figure 17-120



ITEM	PART NUMBER	QTY	LINE	SERIES	BODY	ENGINE	TRANS	TRIM	DESCRIPTION
	05103727AA	8	2, 6	L	11, 12, 14, 15, 16	EX8	DGZ		U-Bolt, Mounting
		8	2, 6	L	01, 02, 06	EX8	DGZ		U-Bolt, Mounting
		8	2, 6	L	51, 52, 54, 55, 56	EX8	DGZ		U-Bolt, Mounting
16									SPRING, Rear
	05118616AA	2	2, 6	L	01, 02, 06	EX8	DGZ		[4E9]
		2	2, 6	L	11, 12, 14, 15, 16	EX8	DGZ		[4E9]
	05128482AA	2	2, 6	L	01, 02, 06	EX8	DGZ		[4E9+3AT]
		2	2, 6	L	11, 12, 14, 15, 16	EX8	DGZ		[4E9+3AT]
	05128486AA	2	2, 6	L	01, 02, 06	EX8	DGZ		[4E9+SNB]
		2	2, 6	L	11, 12, 14, 15, 16	EX8	DGZ		[4E9+SNB]
	05128488AA	2	2, 6	L	01, 02, 06	EX8	DGZ		[4E9+3AT+WDG]
		2	2, 6	L	11, 12, 14, 15, 16	EX8	DGZ		[4E9+3AT+WDG]
17									BOLT
	05125718AA	2	2, 6	L	01, 02, 06	EX8	DGZ		Spring to Shackle, Mounting
		2	2, 6	L	11, 12, 14, 15, 16	EX8	DGZ		Spring to Shackle, Mounting
		2	6, 2	L	51, 52, 54, 55, 56	EX8	DGZ		Spring to Shackle, Mounting
18		2							SHIM, (NOT SERVICED),
19	05126126AA	4	2, 6	L	11, 12, 14, 15, 16	EX8	DGZ		NUT
20									BOLT
	05097678AA	4	2, 6	L	51, 52, 54, 55, 56				
		4	2, 6	L	11, 12, 14, 15, 16				
21									SPRING, Rear

SPRINTER (VA)

SERIES
L = LOWLINE

LINE
3 = HD DODGE 2WD
8 = HD DODGE 4WD
6 = Lt. Duty DODGE 4WD
2 = Med. Duty DODGE 2WD
7 = Med. Duty DODGE 4WD
4 = TRUCK

BODY

01 = CHASSIS FORWARD CONTROL W.B.1
02 = CAB CHASSIS WHEEL BASE 2
06 = CAB CHASSIS WHEEL BASE 6
11 = VAN WHEEL BASE 1
12 = VAN WHEEL BASE 2
51 = WAGON WHEEL BASE 1
52 = WAGON WHEEL BASE 2
14 = VAN WHEEL BASE 4
15 = VAN WHEEL BASE 5
54 = WAGON WHEEL BASE 4
55 = WAGON WHEEL BASE 5
56 = WAGON WHEEL BASE 6
16 = VAN WHEEL BASE 6

ENGINE

EX8 = 2.7L I5 Turbo Diesel Engine
EX9 = 2.7L I5 Mercedes-Benz TD Engine

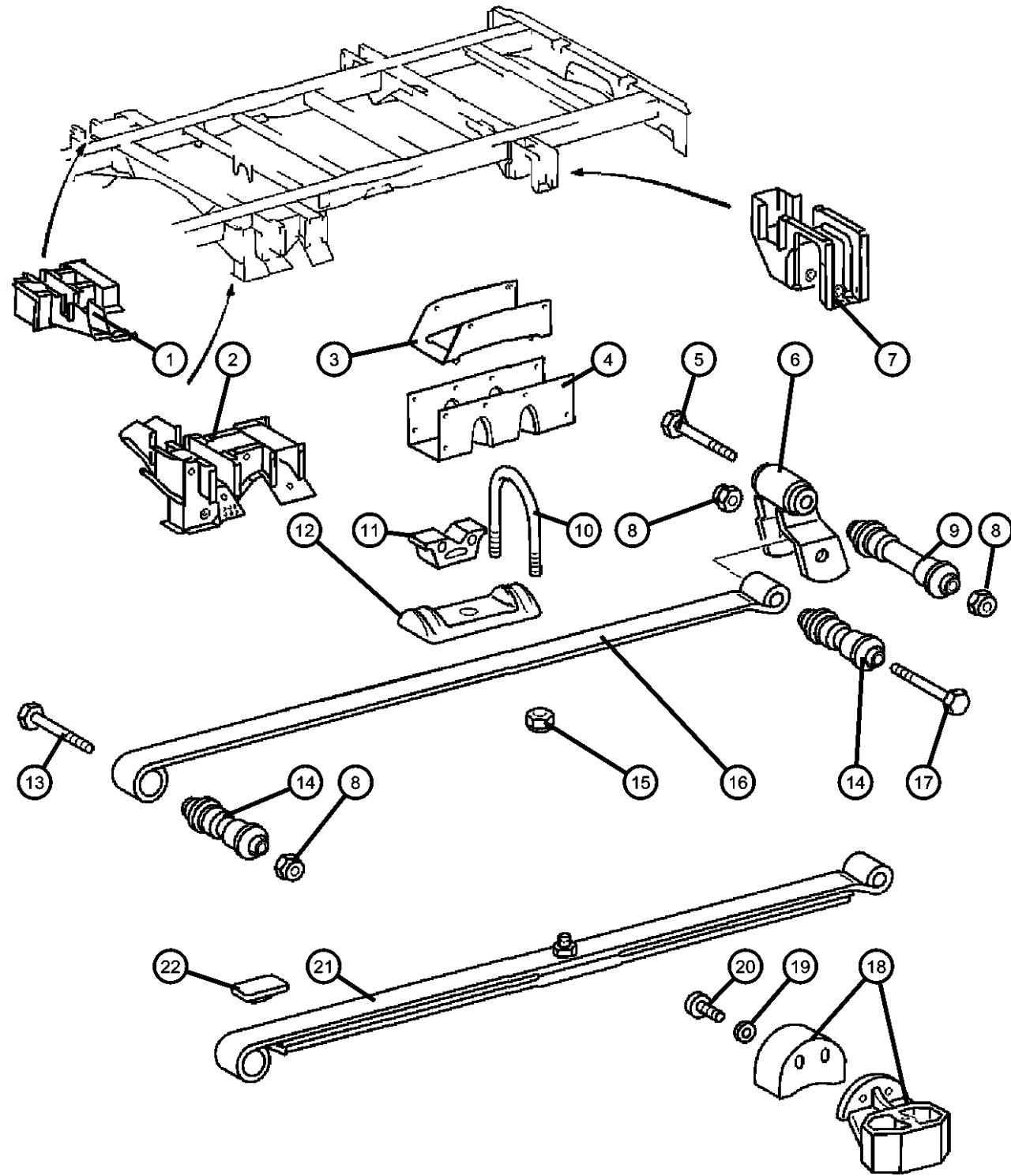
TRANSMISSION

DGJ = 5-Speed Automatic MB Transmission
DGZ = 4-Spd. Automatic MT643 Transmission

AR = use ase required - = Non illustrated part

2006 VA

Rear Springs, 2500 Series
Figure 17-120



ITEM	PART NUMBER	QTY	LINE	SERIES	BODY	ENGINE	TRANS	TRIM	DESCRIPTION
	05118619AA	2	2, 6	L	51, 52, 54, 55, 56	EX8	DGZ		[4E9]
	05128484AA	2	2, 6	L	51, 52, 54, 55, 56	EX8	DGZ		[4E9+3B4]
	05128490AA	2	2, 6	L	51, 52, 54, 55, 56	EX8	DGZ		[4E9+3B4+WDG]
22	05104068AA	4	2, 6	L	51, 52, 54, 55, 56	EX8	DGZ		CUSHION

SPRINTER (VA)

SERIES
L = LOWLINE

LINE

3 = HD DODGE 2WD
8 = HD DODGE 4WD
6 = Lt. Duty DODGE 4WD
2 = Med. Duty DODGE 2WD
7 = Med. Duty DODGE 4WD
4 = TRUCK

BODY

01 = CHASSIS FORWARD CONTROL W.B.1
02 = CAB CHASSIS WHEEL BASE 2
06 = CAB CHASSIS WHEEL BASE 6
11 = VAN WHEEL BASE 1
12 = VAN WHEEL BASE 2
51 = WAGON WHEEL BASE 1
52 = WAGON WHEEL BASE 2
14 = VAN WHEEL BASE 4
15 = VAN WHEEL BASE 5
54 = WAGON WHEEL BASE 4
55 = WAGON WHEEL BASE 5
56 = WAGON WHEEL BASE 6
16 = VAN WHEEL BASE 6

ENGINE

EX8 = 2.7L I5 Turbo Diesel Engine
EX9 = 2.7L I5 Mercedes-Benz TD Engine

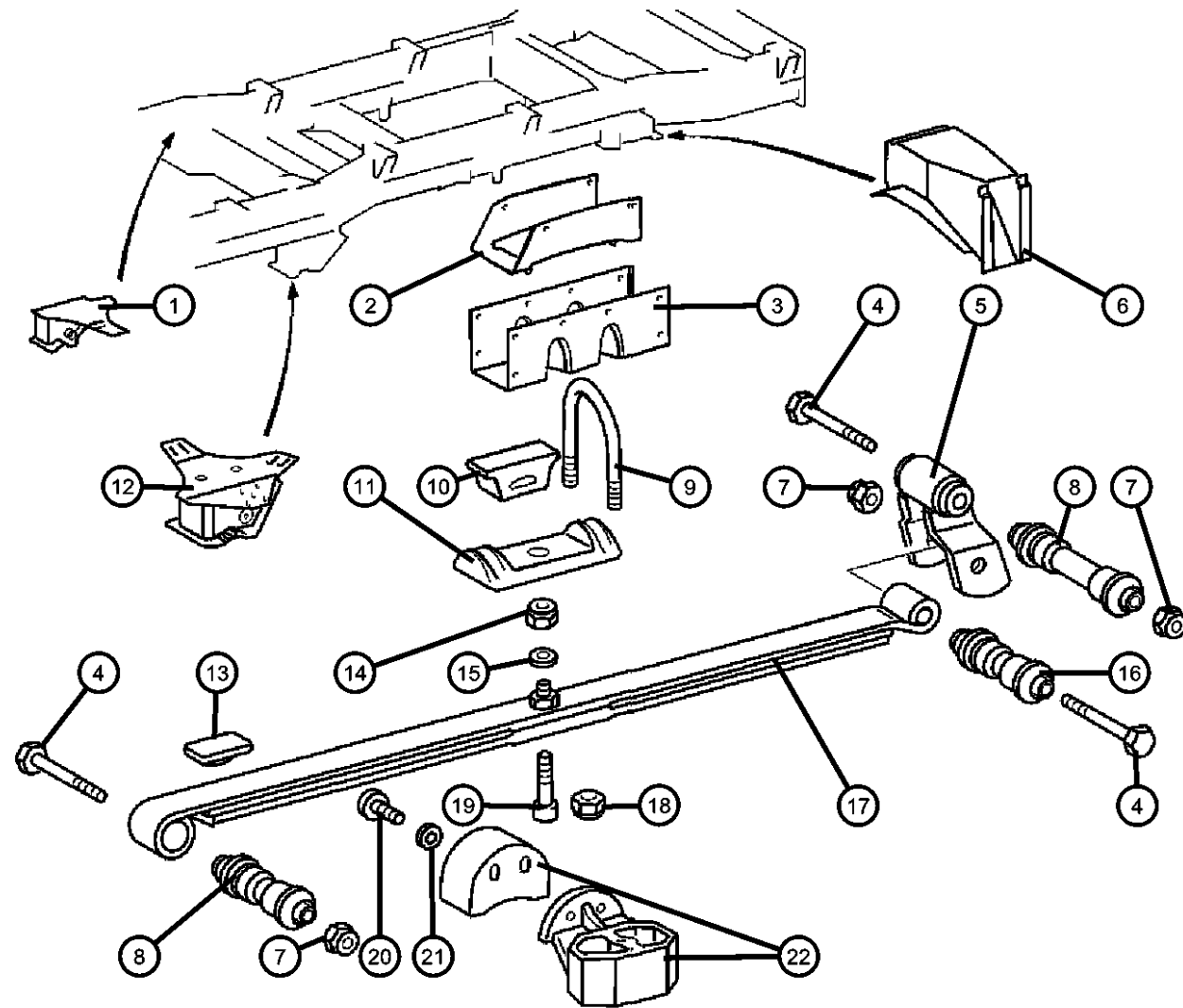
TRANSMISSION

DGJ = 5-Speed Automatic MB Transmission
DGZ = 4-Spd. Automatic MT643 Transmission

AR = use ase required - = Non illustrated part

2006 VA

Rear Springs, 3500 Series
Figure 17-130



ITEM	PART NUMBER	QTY	LINE	SERIES	BODY	ENGINE	TRANS	TRIM	DESCRIPTION
1	05118688AA	1	3, 7	L	12, 15, 16	EX8	DGZ		BRACKET, SpringRight Front
2	05118339AA	2	3, 7	L	02, 06	EX8	DGZ		BRACKET, Spring Right or Left
		2	3, 7	L	12, 15, 16	EX8	DGZ		Right or Left
3	05118355AA	2	3, 7	L	02, 06	EX8	DGZ		TRUSS, Leaf spring Right or Left
		2	3, 7	L	12, 15, 16	EX8	DGZ		Right or Left
4	06104285AA	2	3, 7	L	02, 06	EX8	DGZ		SCREW
		2	3, 7	L	12, 15, 16	EX8	DGZ		
5	05118655AA	2	3, 7	L	02, 06	EX8	DGZ		SHACKLE, Spring Right or Left
		2	3, 7	L	12, 15, 16	EX8	DGZ		Right or Left
6	05118680AA	2	3, 7	L	12, 15, 16	EX8	DGZ		BRACKET, SpringRight or Left
7	05125760AA	2	3, 7	L	02, 06	EX8	DGZ		NUT, Hex Flange Lock
		2	3, 7	L	12, 15, 16	EX8	DGZ		
8	05118729AA	2	3, 7	L	02, 06	EX8	DGZ		BUSHING, Spring Front
		2	3, 7	L	12, 15, 16	EX8	DGZ		Front
9	05118765AA	4	3, 7	L	02, 06	EX8	DGZ		U-BOLT
		4	3, 7	L	12, 15, 16	EX8	DGZ		
10	05118759AA	2	3, 7	L	02, 06	EX8	DGZ		BUMPER, Spring, Rear
		2	3, 7	L	12, 15, 16	EX8	DGZ		
11		2							PLATE, (NOT SERVICED)
12	05118686AA	1	3, 7	L	12, 15, 16	EX8	DGZ		BRACKET, SpringLeft Front

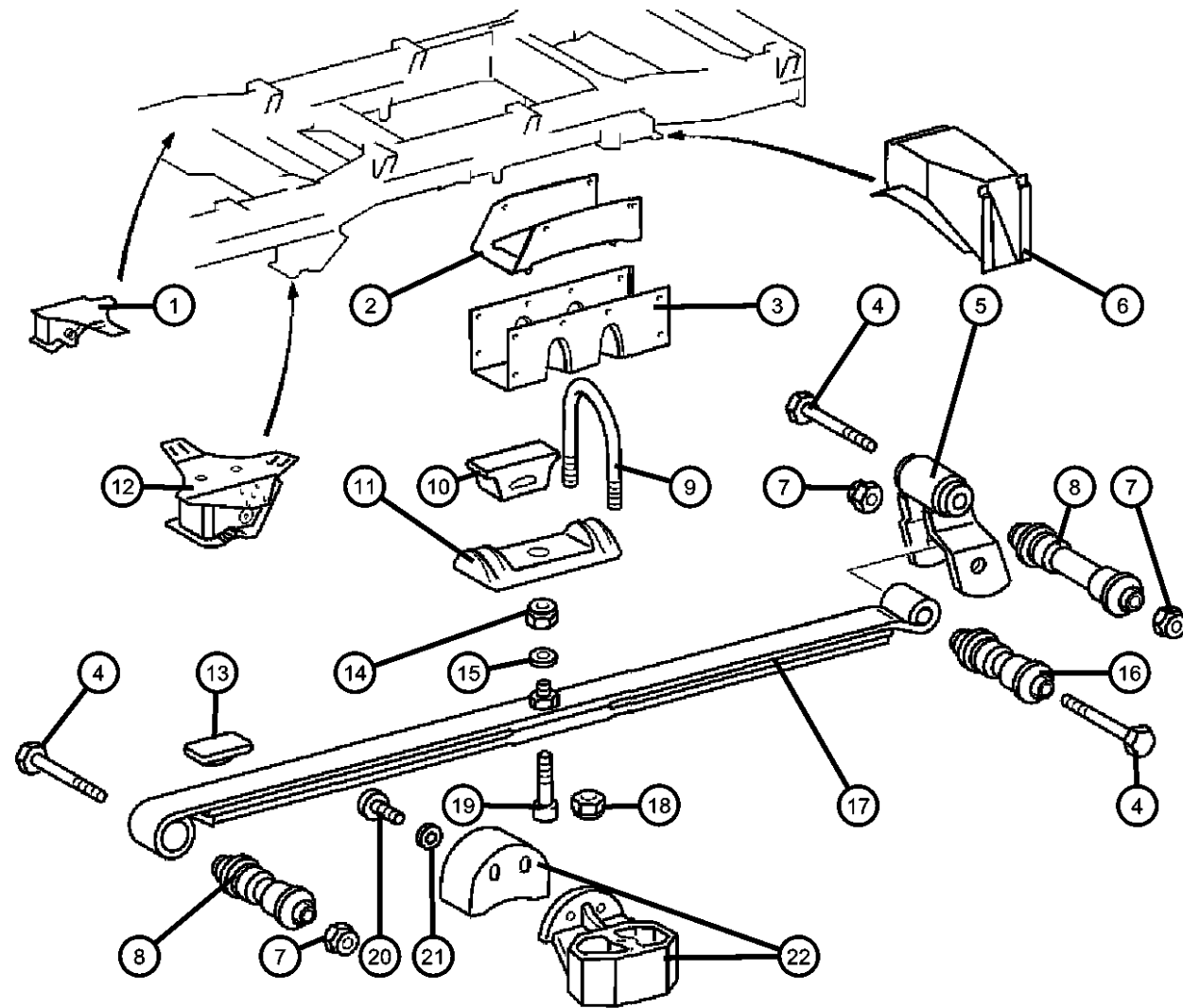
SPRINTER (VA)

SERIES	LINE	BODY	ENGINE	TRANSMISSION
L = LOWLINE	3 = HD DODGE 2WD 8 = HD DODGE 4WD 6 = Lt. Duty DODGE 4WD 2 = Med. Duty DODGE 2WD 7 = Med. Duty DODGE 4WD 4 = TRUCK	01 = CHASSIS FORWARD CONTROL W.B.1 02 = CAB CHASSIS WHEEL BASE 2 06 = CAB CHASSIS WHEEL BASE 6 11 = VAN WHEEL BASE 1 12 = VAN WHEEL BASE 2 51 = WAGON WHEEL BASE 1 52 = WAGON WHEEL BASE 2 14 = VAN WHEEL BASE 4 15 = VAN WHEEL BASE 5 54 = WAGON WHEEL BASE 4 55 = WAGON WHEEL BASE 5 56 = WAGON WHEEL BASE 6 16 = VAN WHEEL BASE 6	EX8 = 2.7L I5 Turbo Diesel Engine EX9 = 2.7L I5 Mercedes-Benz TD Engine	DGJ = 5-Speed Automatic MB Transmission DGZ = 4-Spd. Automatic MT643 Transmission

AR = use ase required - = Non illustrated part

2006 VA

Rear Springs, 3500 Series
Figure 17-130



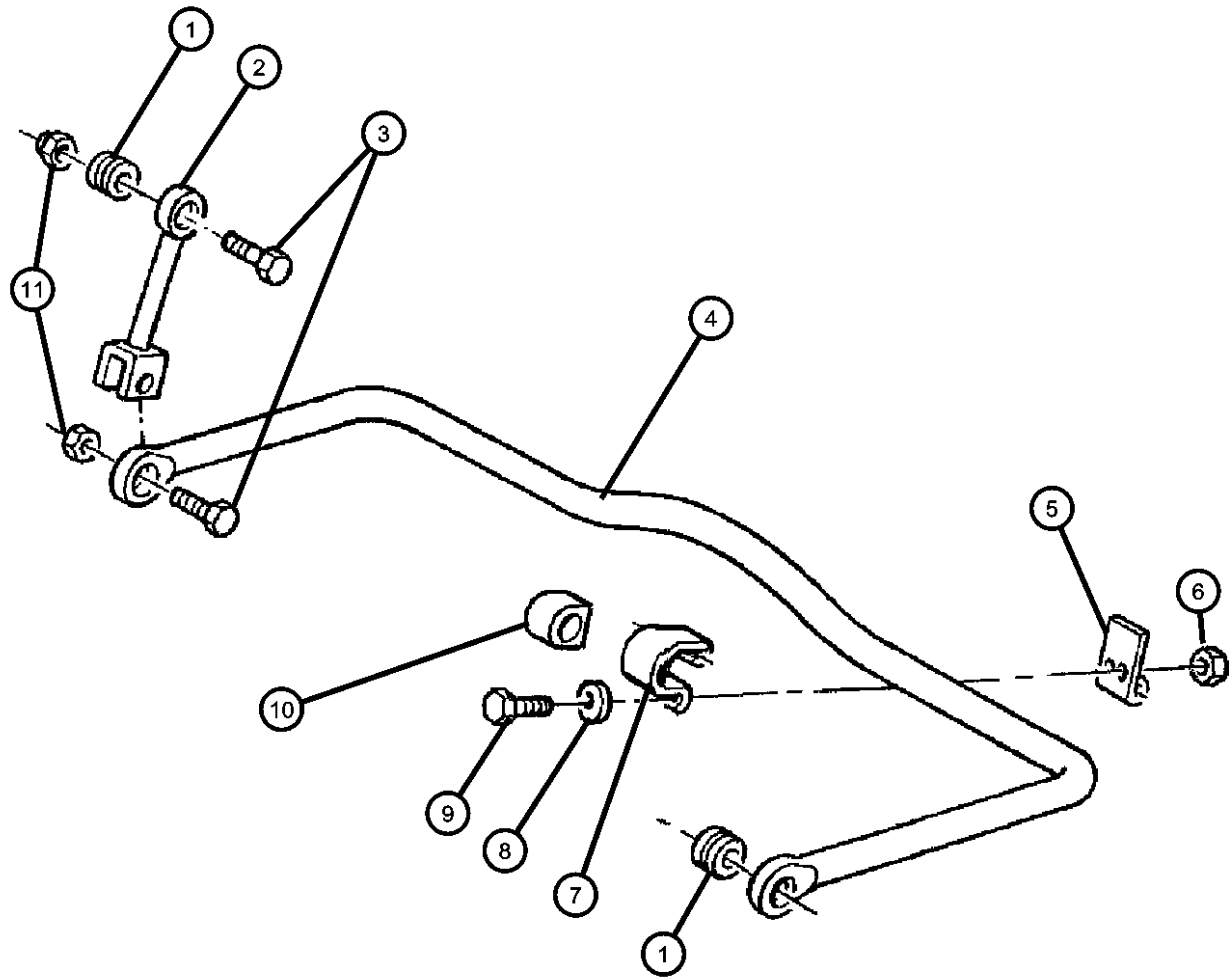
ITEM	PART NUMBER	QTY	LINE	SERIES	BODY	ENGINE	TRANS	TRIM	DESCRIPTION
13	05104068AA	4	3, 7	L	02, 06	EX8	DGZ		CUSHION
		4	3, 7	L	12, 15, 16	EX8	DGZ		
14	05133872AA	2	3, 7	L	02, 06	EX8	DGZ		NUT, Hex
		2	3, 7	L	12, 15, 16	EX8	DGZ		
15	05126120AA	2	3, 7	L	02, 06	EX8	DGZ		WASHER, Spring
		2	3, 7	L	12, 15, 16	EX8	DGZ		
16	05118703AA	2	3, 7	L	02, 06	EX8	DGZ		BUSHING, Spring
		2	3, 7	L	12, 15, 16	EX8	DGZ		Rear Rear
17	05118621AA	2	3, 7	L	02, 06	EX8	DGZ		SPRING, Rear
		2	3, 7	L	12, 15, 16	EX8	DGZ		Right or Left Right or Left
18	05103727AA	8	3, 7	L	02, 06	EX8	DGZ		NUT
		8	3, 7	L	12, 15, 16	EX8	DGZ		
19	05133871AA	2	3, 7	L	02, 06	EX8	DGZ		BOLT
		2	3, 7	L	12, 15, 16	EX8	DGZ		
20	05097678AA	4	3, 7	L	12, 15, 16				BOLT
21	05126126AA	4	3, 7	L	12, 15, 16	EX8	DGZ		NUT
22	05126126AA	4							SHIM, (NOT SERVICED)

SPRINTER (VA)

SERIES	LINE	BODY	ENGINE	TRANSMISSION
L = LOWLINE	3 = HD DODGE 2WD 8 = HD DODGE 4WD 6 = Lt. Duty DODGE 4WD 2 = Med. Duty DODGE 2WD 7 = Med. Duty DODGE 4WD 4 = TRUCK	01 = CHASSIS FORWARD CONTROL W.B.1 02 = CAB CHASSIS WHEEL BASE 2 06 = CAB CHASSIS WHEEL BASE 6 11 = VAN WHEEL BASE 1 12 = VAN WHEEL BASE 2 51 = WAGON WHEEL BASE 1 52 = WAGON WHEEL BASE 2 14 = VAN WHEEL BASE 4 15 = VAN WHEEL BASE 5 54 = WAGON WHEEL BASE 4 55 = WAGON WHEEL BASE 5 56 = WAGON WHEEL BASE 6 16 = VAN WHEEL BASE 6	EX8 = 2.7L I5 Turbo Diesel Engine EX9 = 2.7L I5 Mercedes-Benz TD Engine	DGJ = 5-Speed Automatic MB Transmission DGZ = 4-Spd. Automatic MT643 Transmission

AR = use ase required - = Non illustrated part

**Stabilizer Bar,Rear
Figure 17-210**



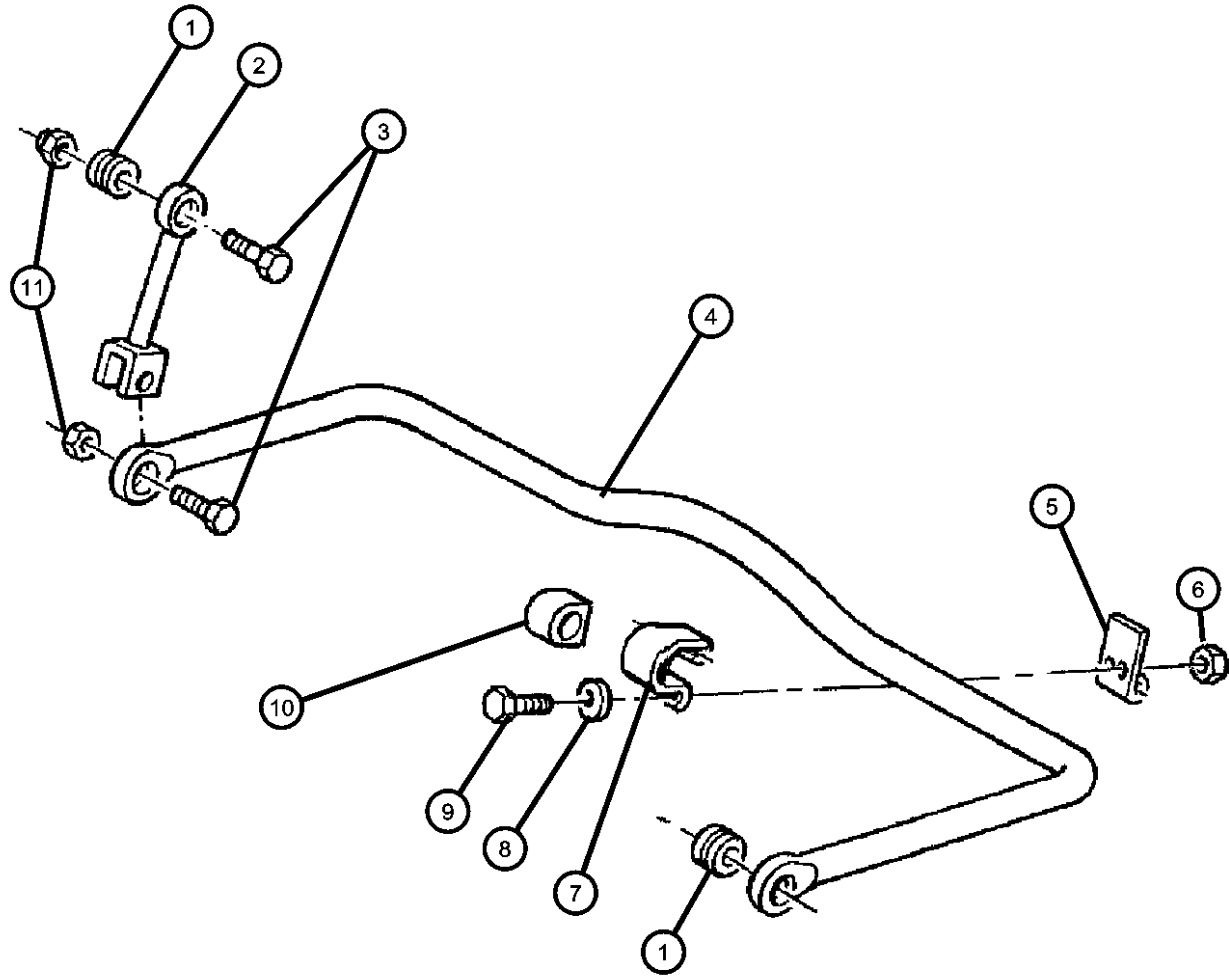
ITEM	PART NUMBER	QTY	LINE	SERIES	BODY	ENGINE	TRANS	TRIM	DESCRIPTION
1	05103955AA	2	2, 6	L	01, 02, 06	EX8	DGZ		BUSHING, Stabilizer Bar
			2, 6	L	11, 12, 14, 15, 16	EX8	DGZ		
			2, 6	L	51, 52, 54, 55, 56	EX8	DGZ		
			3, 7	L	02, 06	EX8	DGZ		
			3, 7	L	12, 15, 16	EX8	DGZ		
2	05104058AA	2	2, 6	L	01, 02, 06	EX8	DGZ		LINK, Stabilizer Bar Right or Left
			2, 6	L	11, 12, 14, 15, 16	EX8	DGZ		
			2, 6	L	51, 52, 54, 55, 56	EX8	DGZ		
			3, 7	L	02, 06	EX8	DGZ		
			3, 7	L	12, 15, 16	EX8	DGZ		
3	05118696AA	2	3, 7	L	02, 06	EX8	DGZ		BOLT Right or Left
			3, 7	L	12, 15, 16	EX8	DGZ		
			2, 6	L	01, 02, 06	EX8	DGZ		
			2, 6	L	11, 12, 14, 15, 16	EX8	DGZ		
			2, 6	L	51, 52, 54, 55, 56	EX8	DGZ		
4	06104239AA	2	2, 6	L	01, 02, 06	EX8	DGZ		SWAY BAR
			2, 6	L	11, 12, 14, 15, 16	EX8	DGZ		
			2, 6	L	51, 52, 54, 55, 56	EX8	DGZ		
			3, 7	L	02, 06	EX8	DGZ		
			3, 7	L	12, 15, 16	EX8	DGZ		
4	05118632AA	1	3, 7	L	02, 06	EX8	DGZ		
			3, 7	L	12, 15, 16	EX8	DGZ		
			2, 6	L	01, 02, 06	EX8	DGZ		
			2, 6	L	11, 12, 14, 15, 16	EX8	DGZ		
4	05128494AA	1	2, 6	L	51, 52, 54, 55, 56	EX8	DGZ		
			2, 6	L	51, 52, 54, 55, 56	EX8	DGZ		

SPRINTER (VA)

SERIES	LINE	BODY	ENGINE	TRANSMISSION
L = LOWLINE	3 = HD DODGE 2WD 8 = HD DODGE 4WD 6 = Lt. Duty DODGE 4WD 2 = Med. Duty DODGE 2WD 7 = Med. Duty DODGE 4WD 4 = TRUCK	01 = CHASSIS FORWARD CONTROL W.B.1 02 = CAB CHASSIS WHEEL BASE 2 06 = CAB CHASSIS WHEEL BASE 6 11 = VAN WHEEL BASE 1 12 = VAN WHEEL BASE 2 51 = WAGON WHEEL BASE 1 52 = WAGON WHEEL BASE 2 14 = VAN WHEEL BASE 4 15 = VAN WHEEL BASE 5 54 = WAGON WHEEL BASE 4 55 = WAGON WHEEL BASE 5 56 = WAGON WHEEL BASE 6 16 = VAN WHEEL BASE 6	EX8 = 2.7L I5 Turbo Diesel Engine EX9 = 2.7L I5 Mercedes-Benz TD Engine	DGJ = 5-Speed Automatic MB Transmission DGZ = 4-Spd. Automatic MT643 Transmission

AR = use ase required - = Non illustrated part

**Stabilizer Bar,Rear
Figure 17-210**



ITEM	PART NUMBER	QTY	LINE	SERIES	BODY	ENGINE	TRANS	TRIM	DESCRIPTION
5									BRACKET, Stabilizer Bar
	05128598AA	2	2, 6	L	01, 02, 06	EX8	DGZ		
		2	2, 6	L	11, 12, 14, 15, 16	EX8	DGZ		
		2	2, 6	L	51, 52, 54, 55, 56	EX8	DGZ		
6									NUT
	06104716AA	4	2, 6	L	01, 02, 06	EX8	DGZ		
		4	2, 6	L	11, 12, 14, 15, 16	EX8	DGZ		
		4	2, 6	L	51, 52, 54, 55, 56	EX8	DGZ		
		4	3, 7	L	02, 06	EX8	DGZ		
		4	3, 7	L	12, 15, 16	EX8	DGZ		
7									RETAINER, Stabilizer Bar Grommet
	05132783AA	2	2, 6	L	01, 02, 06	EX8	DGZ		
		2	2, 6	L	11, 12, 14, 15, 16	EX8	DGZ		
		2	2, 6	L	51, 52, 54, 55, 56	EX8	DGZ		
	05136068AA	2	3, 7	L	02, 06	EX8	DGZ		
		2	3, 7	L	12, 15, 16	EX8	DGZ		
8	05104615AA	4							WASHER
9	06104031AA	2	2, 3, 6, 7	L		EX8	DGZ		SCREW
10									BUSHING, Stabilizer Bar
	05104073AA	2	2, 6	L	01, 02, 06	EX8	DGZ		
		2	2, 6	L	11, 12, 14, 15, 16	EX8	DGZ		
		2	2, 6	L	51, 52, 54, 55, 56	EX8	DGZ		
	05118800AA	2	3, 7	L	02, 06	EX8	DGZ		

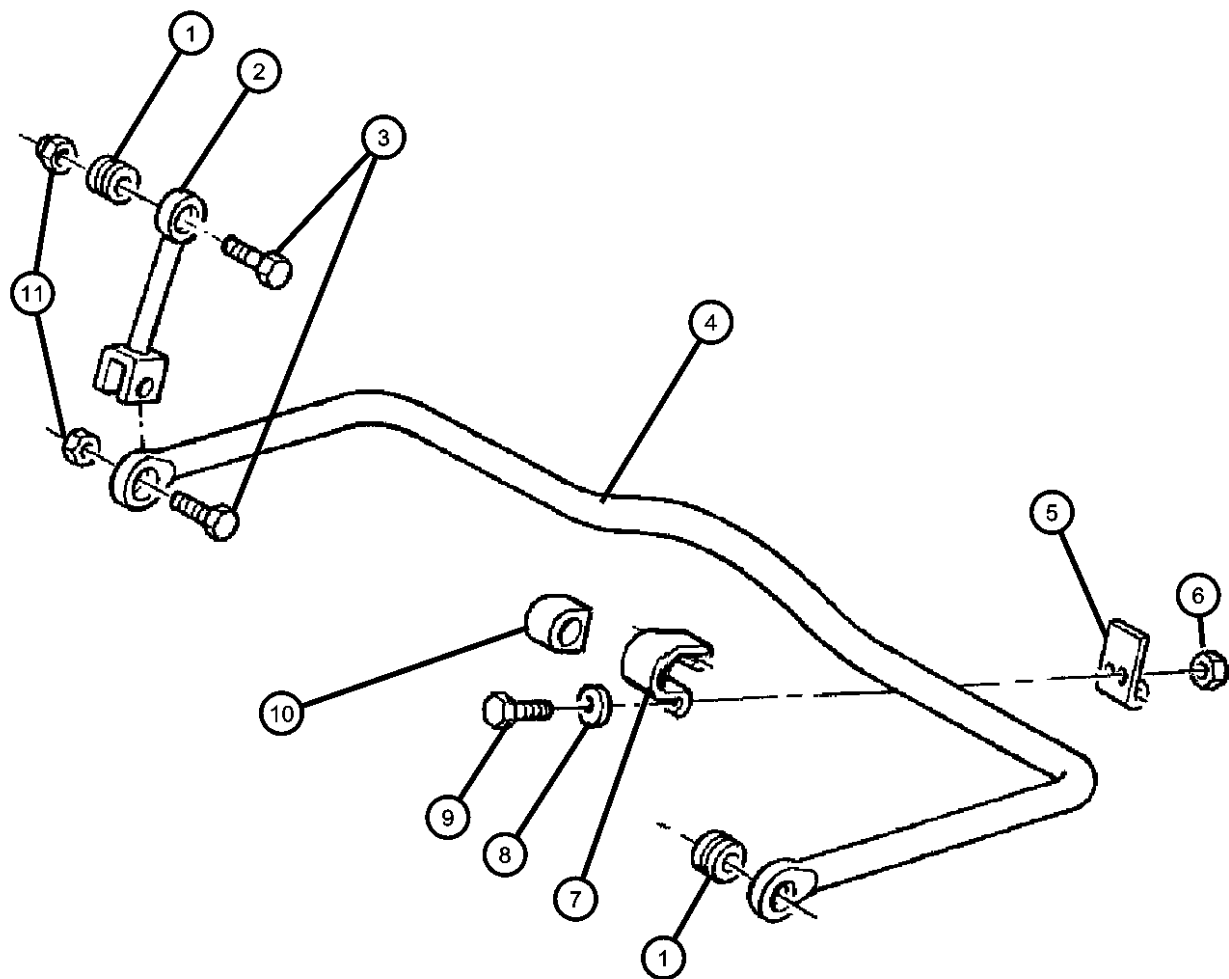
SPRINTER (VA)

SERIES	LINE	BODY	ENGINE	TRANSMISSION
L = LOWLINE	3 = HD DODGE 2WD 8 = HD DODGE 4WD 6 = Lt. Duty DODGE 4WD 2 = Med. Duty DODGE 2WD 7 = Med. Duty DODGE 4WD 4 = TRUCK	01 = CHASSIS FORWARD CONTROL W.B.1 02 = CAB CHASSIS WHEEL BASE 2 06 = CAB CHASSIS WHEEL BASE 6 11 = VAN WHEEL BASE 1 12 = VAN WHEEL BASE 2 51 = WAGON WHEEL BASE 1 52 = WAGON WHEEL BASE 2 14 = VAN WHEEL BASE 4 15 = VAN WHEEL BASE 5 54 = WAGON WHEEL BASE 4 55 = WAGON WHEEL BASE 5 56 = WAGON WHEEL BASE 6 16 = VAN WHEEL BASE 6	EX8 = 2.7L I5 Turbo Diesel Engine EX9 = 2.7L I5 Mercedes-Benz TD Engine	DGJ = 5-Speed Automatic MB Transmission DGZ = 4-Spd. Automatic MT643 Transmission

AR = use ase required - = Non illustrated part

**Stabilizer Bar,Rear
Figure 17-210**

ITEM	PART NUMBER	QTY	LINE	SERIES	BODY	ENGINE	TRANS	TRIM	DESCRIPTION
		2	3, 7	L	12, 15, 16	EX8	DGZ		
11									NUT
	06104718AA	2	2, 6	L	01, 02, 06	EX8	DGZ		
		2	2, 6	L	11, 12, 14, 15, 16	EX8	DGZ		
		2	2, 6	L	51, 52, 54, 55, 56	EX8	DGZ		
		2	3, 7	L	02, 06	EX8	DGZ		
		2	3, 7	L	12, 15, 16	EX8	DGZ		



SPRINTER (VA)

SERIES	LINE	BODY	ENGINE	TRANSMISSION
L = LOWLINE	3 = HD DODGE 2WD 8 = HD DODGE 4WD 6 = Lt. Duty DODGE 4WD 2 = Med. Duty DODGE 2WD 7 = Med. Duty DODGE 4WD 4 = TRUCK	01 = CHASSIS FORWARD CONTROL W.B.1 02 = CAB CHASSIS WHEEL BASE 2 06 = CAB CHASSIS WHEEL BASE 6 11 = VAN WHEEL BASE 1 12 = VAN WHEEL BASE 2 51 = WAGON WHEEL BASE 1 52 = WAGON WHEEL BASE 2 14 = VAN WHEEL BASE 4 15 = VAN WHEEL BASE 5 54 = WAGON WHEEL BASE 4 55 = WAGON WHEEL BASE 5 56 = WAGON WHEEL BASE 6 16 = VAN WHEEL BASE 6	EX8 = 2.7L I5 Turbo Diesel Engine EX9 = 2.7L I5 Mercedes-Benz TD Engine	DGJ = 5-Speed Automatic MB Transmission DGZ = 4-Spd. Automatic MT643 Transmission

AR = use ase required - = Non illustrated part

Group - 19

Steering

Group - 19 Steering

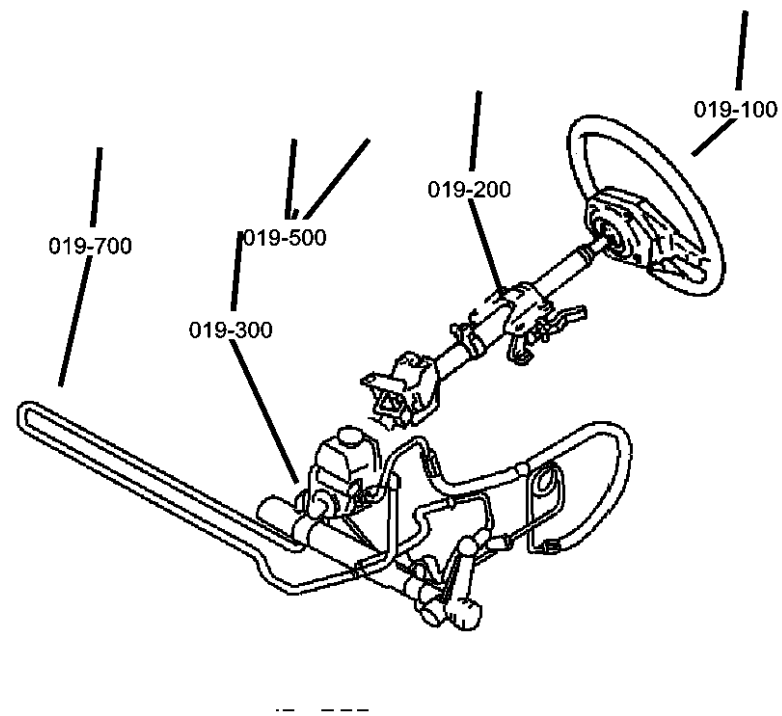


Illustration Title

Group-Fig. No.

Steering Wheel

Steering Wheel and Related Fig. 19 - 110

Steering Column

Column Steering and Related Fig. 19 - 210

Steering Gear

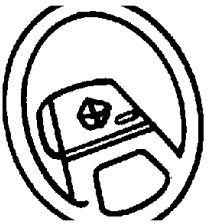
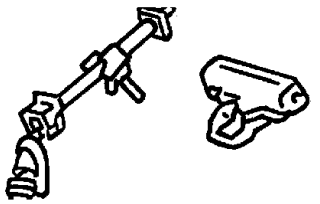
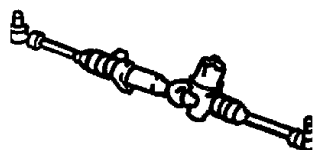
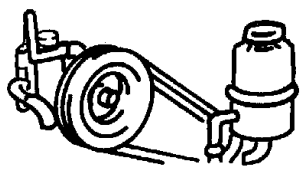
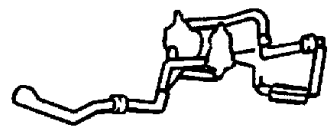
Gear - Steering Fig. 19 - 310

Power Steering Pump

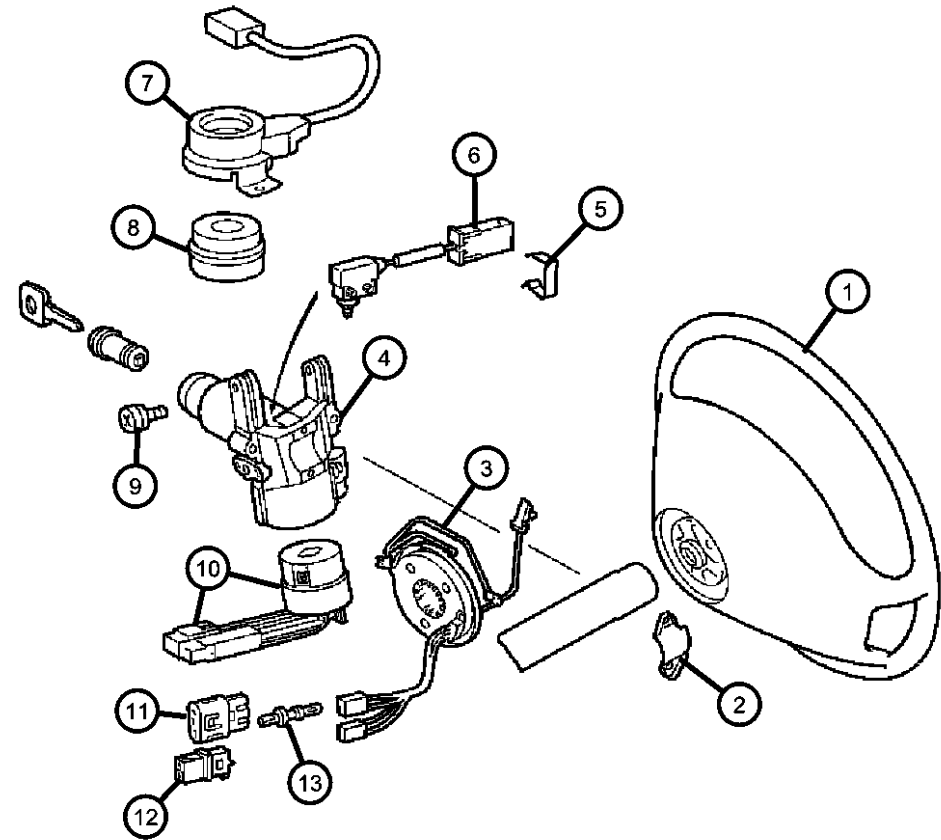
Pump and Pulley, Steering Fig. 19 - 510

Power Steering Hoses

Hoses Steering and Related Fig. 19 - 710

<p>019-100 Steering Wheel</p> 	<p>019-200 Steering Column</p> 	<p>019-300 Steering Gear</p> 	<p>019-500 Power Steering Pump</p> 
<p>019-700 Power Steering Hoses</p> 			

**Steering Wheel and Related
Figure 19-110**



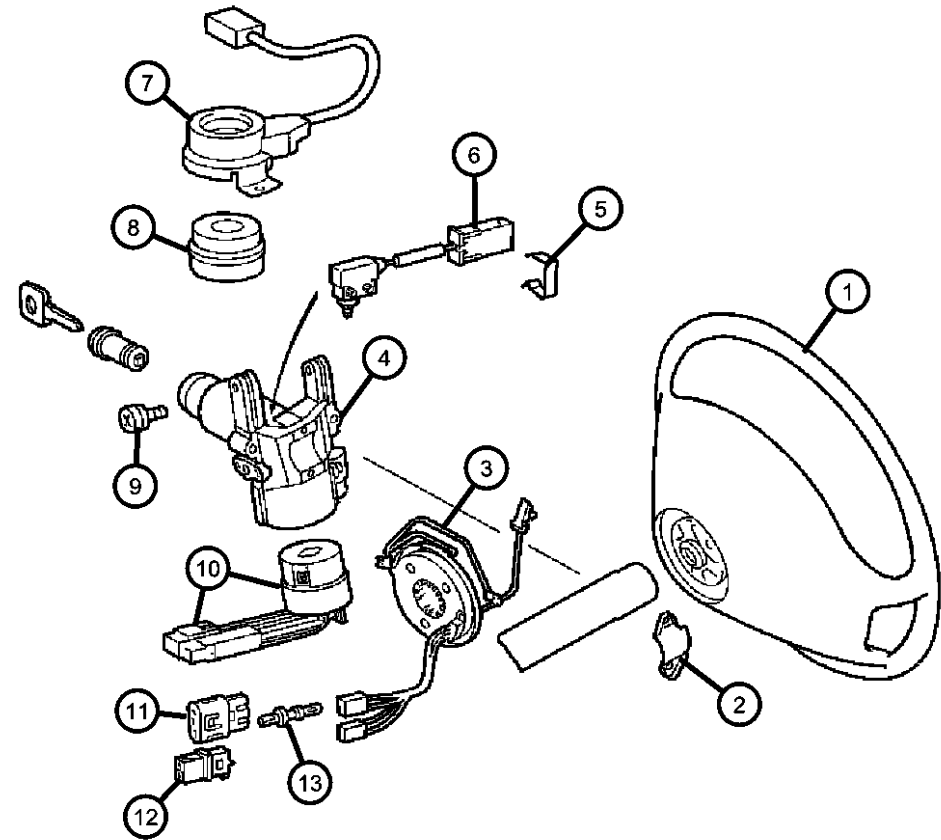
ITEM	PART NUMBER	QTY	LINE	SERIES	BODY	ENGINE	TRANS	TRIM	DESCRIPTION
Sale Code EX8=2.7L I5 MERCEDES-BENZ									
1	0ZF45BD1AA	1	2, 6	L	01, 02, 06	EX8	DGZ		WHEEL, Steering
		1	2, 6	L	11, 12, 14, 15, 16	EX8	DGZ		
		1	2, 6	L	51, 52, 54, 55, 56	EX8	DGZ		
		1	3, 7	L	02, 06	EX8	DGZ		
		1	3, 7	L	12, 15, 16	EX8	DGZ		
2	05104096AA	1	2, 6	L	01, 02, 06	EX8	DGZ		BRACKET, Steering Column
		1	2, 6	L	11, 12, 14, 15, 16	EX8	DGZ		
		1	2, 6	L	51, 52, 54, 55, 56	EX8	DGZ		
		1	3, 7	L	02, 06	EX8	DGZ		
		1	3, 7	L	12, 15, 16	EX8	DGZ		
3	05104089AA	1	3, 7	L	02, 06	EX8	DGZ		CLOCKSPRING
		1	3, 7	L	12, 15, 16	EX8	DGZ		
		1	2, 6	L	01, 02, 06	EX8	DGZ		
		1	2, 6	L	11, 12, 14, 15, 16	EX8	DGZ		
		1	2, 6	L	51, 52, 54, 55, 56	EX8	DGZ		
4	05104092AA	1	2, 6	L	51, 52, 54, 55, 56	EX8	DGZ		HOUSING, Steering Column Lock
		1	3, 7	L	02, 06	EX8	DGZ		
		1	3, 7	L	12, 15, 16	EX8	DGZ		
		1	2, 6	L	01, 02, 06	EX8	DGZ		

SPRINTER (VA)

SERIES	LINE	BODY	ENGINE	TRANSMISSION
L = LOWLINE	3 = HD DODGE 2WD 8 = HD DODGE 4WD 6 = Lt. Duty DODGE 4WD 2 = Med. Duty DODGE 2WD 7 = Med. Duty DODGE 4WD 4 = TRUCK	01 = CHASSIS FORWARD CONTROL W.B.1 02 = CAB CHASSIS WHEEL BASE 2 06 = CAB CHASSIS WHEEL BASE 6 11 = VAN WHEEL BASE 1 12 = VAN WHEEL BASE 2 51 = WAGON WHEEL BASE 1 52 = WAGON WHEEL BASE 2 14 = VAN WHEEL BASE 4 15 = VAN WHEEL BASE 5 54 = WAGON WHEEL BASE 4 55 = WAGON WHEEL BASE 5 56 = WAGON WHEEL BASE 6 16 = VAN WHEEL BASE 6	EX8 = 2.7L I5 Turbo Diesel Engine EX9 = 2.7L I5 Mercedes-Benz TD Engine	DGJ = 5-Speed Automatic MB Transmission DGZ = 4-Spd. Automatic MT643 Transmission

AR = use ase required - = Non illustrated part

Steering Wheel and Related
Figure 19-110



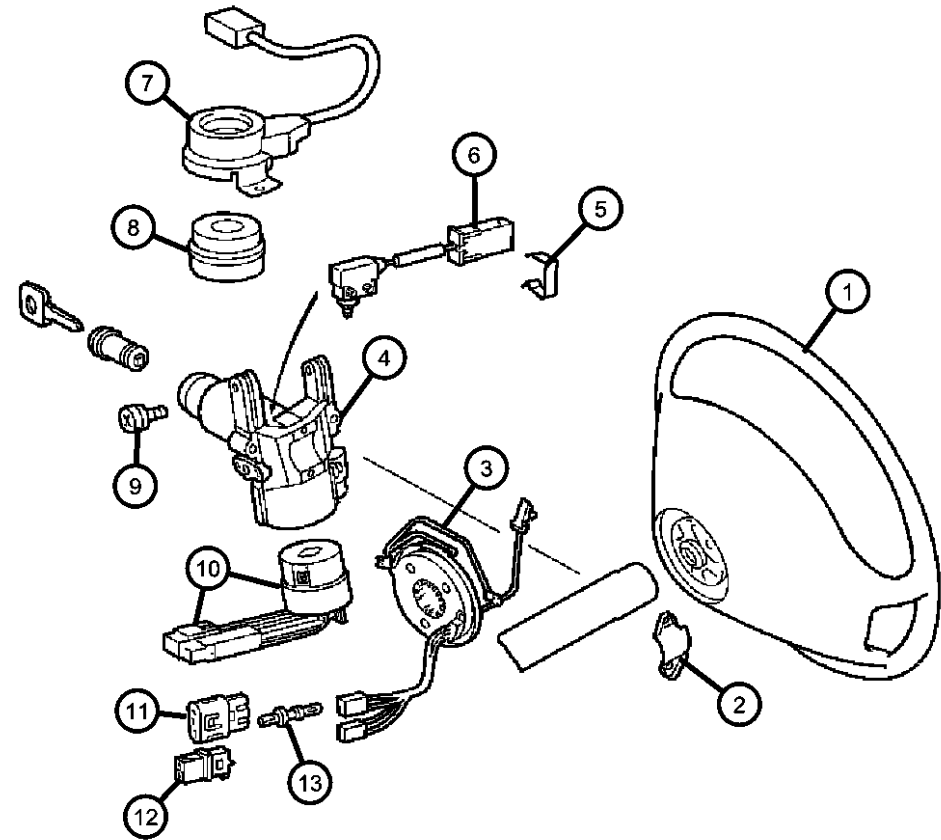
ITEM	PART NUMBER	QTY	LINE	SERIES	BODY	ENGINE	TRANS	TRIM	DESCRIPTION
		1	2, 6	L	11, 12, 14, 15, 16	EX8	DGZ		
5	05103660AA	1	3, 7	L	02, 06	EX8	DGZ		SPRING
		1	3, 7	L	12, 15, 16	EX8	DGZ		
		1	2, 6	L	01, 02, 06	EX8	DGZ		
		1	2, 6	L	11, 12, 14, 15, 16	EX8	DGZ		
		1	2, 6	L	51, 52, 54, 55, 56	EX8	DGZ		
6	05103678AA	1	2, 6	L	11, 12, 14, 15, 16	EX8	DGZ		SWITCH
	05103857AA	1	3, 7	L	02, 06	EX8	DGZ		
		1	2, 6	L	51, 52, 54, 55, 56	EX8	DGZ		
		1	3, 7	L	12, 15, 16	EX8	DGZ		
		1	2, 6	L	01, 02, 06	EX8	DGZ		
7	05120812AA	1	2, 6	L	11, 12, 14, 15, 16	EX8	DGZ		TRANSPONDER, Steering Wheel
		1	2, 6	L	51, 52, 54, 55, 56	EX8	DGZ		
		1	2, 6	L	01, 02, 06	EX8	DGZ		
		1	3, 7	L	02, 06	EX8	DGZ		
		1	3, 7	L	12, 15, 16	EX8	DGZ		
8	05104593AA	1	2, 6	L	11, 12, 14, 15, 16	EX8	DGZ		RING
		1	2, 6	L	51, 52, 54, 55, 56	EX8	DGZ		
		1	2, 6	L	01, 02, 06	EX8	DGZ		

SPRINTER (VA)

SERIES	LINE	BODY	ENGINE	TRANSMISSION
L = LOWLINE	3 = HD DODGE 2WD 8 = HD DODGE 4WD 6 = Lt. Duty DODGE 4WD 2 = Med. Duty DODGE 2WD 7 = Med. Duty DODGE 4WD 4 = TRUCK	01 = CHASSIS FORWARD CONTROL W.B.1 02 = CAB CHASSIS WHEEL BASE 2 06 = CAB CHASSIS WHEEL BASE 6 11 = VAN WHEEL BASE 1 12 = VAN WHEEL BASE 2 51 = WAGON WHEEL BASE 1 52 = WAGON WHEEL BASE 2 14 = VAN WHEEL BASE 4 15 = VAN WHEEL BASE 5 54 = WAGON WHEEL BASE 4 55 = WAGON WHEEL BASE 5 56 = WAGON WHEEL BASE 6 16 = VAN WHEEL BASE 6	EX8 = 2.7L I5 Turbo Diesel Engine EX9 = 2.7L I5 Mercedes-Benz TD Engine	DGJ = 5-Speed Automatic MB Transmission DGZ = 4-Spd. Automatic MT643 Transmission

AR = use ase required - = Non illustrated part

Steering Wheel and Related
Figure 19-110



ITEM	PART NUMBER	QTY	LINE	SERIES	BODY	ENGINE	TRANS	TRIM	DESCRIPTION
		1	3, 7	L	02, 06	EX8	DGZ		
		1	3, 7	L	12, 15, 16	EX8	DGZ		
9	05103604AA	1	2, 6	L	01, 02, 06	EX8	DGZ		SCREW
		1	2, 6	L	11, 12, 14, 15, 16	EX8	DGZ		
		1	2, 6	L	51, 52, 54, 55, 56	EX8	DGZ		
		1	3, 7	L	02, 06	EX8	DGZ		
10	05103664AA	1	2, 6	L	01, 02, 06	EX8	DGZ		SWITCH, Ignition
		1	2, 6	L	11, 12, 14, 15, 16	EX8	DGZ		
		1	2, 6	L	51, 52, 54, 55, 56	EX8	DGZ		
		1	3, 7	L	02, 06	EX8	DGZ		
		1	3, 7	L	12, 15, 16	EX8	DGZ		
11	05103904AA	1	2, 6	L	01, 02, 06	EX8	DGZ		CONNECTOR
		1	2, 6	L	11, 12, 14, 15, 16	EX8	DGZ		
		1	2, 6	L	51, 52, 54, 55, 56	EX8	DGZ		
		1	3, 7	L	02, 06	EX8	DGZ		
		1	3, 7	L	12, 15, 16	EX8	DGZ		
12	05103902AA	1	3, 7	L	02, 06	EX8	DGZ		CONNECTOR
		1	3, 7	L	12, 15, 16	EX8	DGZ		
		1	2, 6	L	01, 02, 06	EX8	DGZ		
		1	2, 6	L	11, 12, 14, 15, 16	EX8	DGZ		

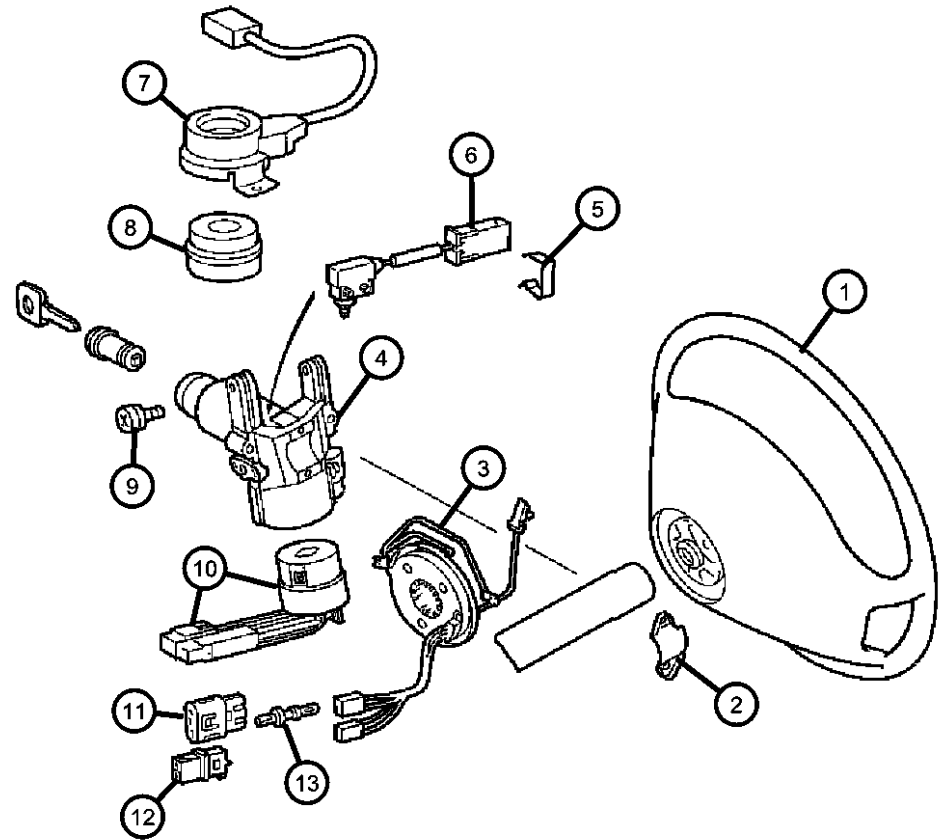
SPRINTER (VA)

SERIES	LINE	BODY	ENGINE	TRANSMISSION
L = LOWLINE	3 = HD DODGE 2WD 8 = HD DODGE 4WD 6 = Lt. Duty DODGE 4WD 2 = Med. Duty DODGE 2WD 7 = Med. Duty DODGE 4WD 4 = TRUCK	01 = CHASSIS FORWARD CONTROL W.B.1 02 = CAB CHASSIS WHEEL BASE 2 06 = CAB CHASSIS WHEEL BASE 6 11 = VAN WHEEL BASE 1 12 = VAN WHEEL BASE 2 51 = WAGON WHEEL BASE 1 52 = WAGON WHEEL BASE 2 14 = VAN WHEEL BASE 4 15 = VAN WHEEL BASE 5 54 = WAGON WHEEL BASE 4 55 = WAGON WHEEL BASE 5 56 = WAGON WHEEL BASE 6 16 = VAN WHEEL BASE 6	EX8 = 2.7L I5 Turbo Diesel Engine EX9 = 2.7L I5 Mercedes-Benz TD Engine	DGJ = 5-Speed Automatic MB Transmission DGZ = 4-Spd. Automatic MT643 Transmission

AR = use ase required - = Non illustrated part

**Steering Wheel and Related
Figure 19-110**

ITEM	PART NUMBER	QTY	LINE	SERIES	BODY	ENGINE	TRANS	TRIM	DESCRIPTION
13	05103828AA	1	2, 6	L	51, 52, 54, 55, 56	EX8	DGZ		TERMINAL
		99	2, 6	L	01, 02, 06	EX8	DGZ		
		99	2, 6	L	11, 12, 14, 15, 16	EX8	DGZ		
		99	2, 6	L	51, 52, 54, 55, 56	EX8	DGZ		
		99	3, 7	L	02, 06	EX8	DGZ		
-14	05119542AA	1	2, 6	L	01, 02, 06	EX8	DGZ		CONTACT, Horn
		1	2, 6	L	11, 12, 14, 15, 16	EX8	DGZ		
		1	2, 6	L	51, 52, 54, 55, 56	EX8	DGZ		
		1	3, 7	L	02, 06	EX8	DGZ		
		1	3, 7	L	12, 15, 16	EX8	DGZ		

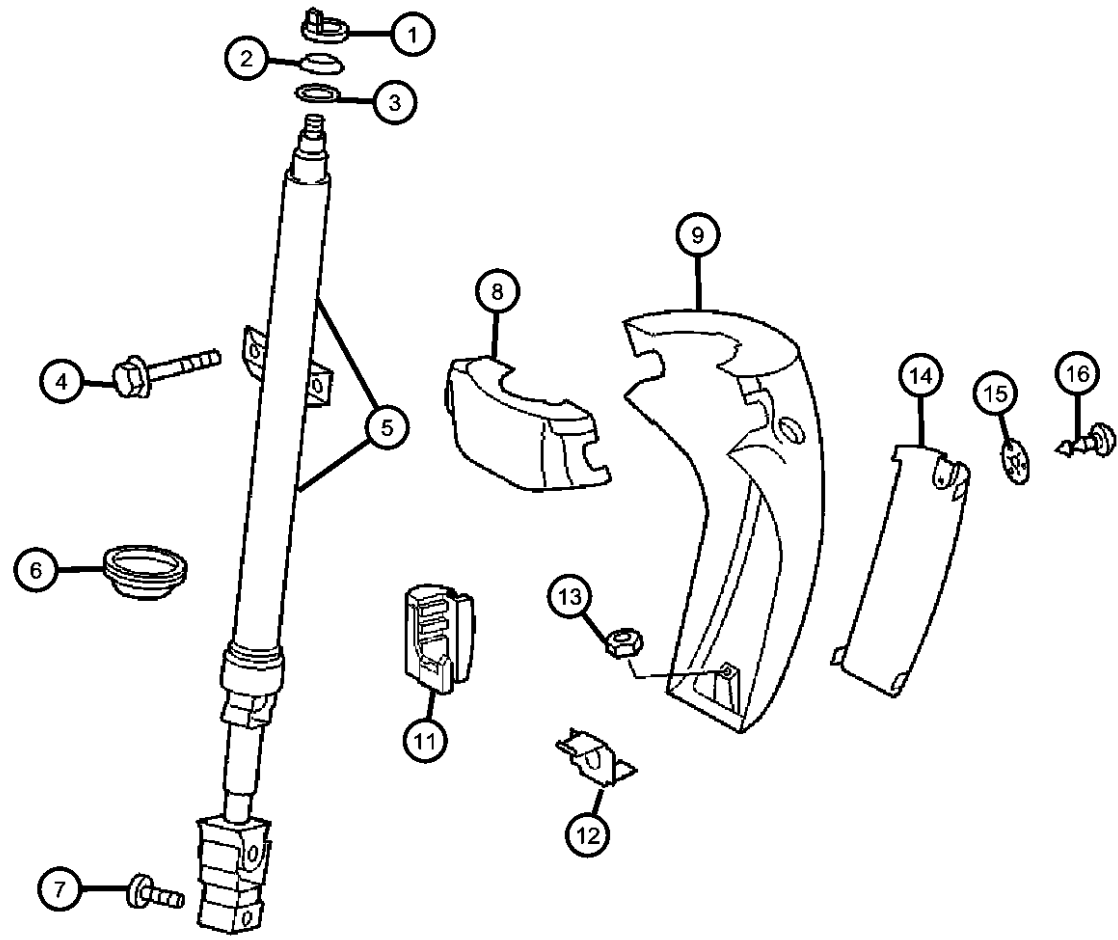


SPRINTER (VA)

SERIES	LINE	BODY	ENGINE	TRANSMISSION
L = LOWLINE	3 = HD DODGE 2WD 8 = HD DODGE 4WD 6 = Lt. Duty DODGE 4WD 2 = Med. Duty DODGE 2WD 7 = Med. Duty DODGE 4WD 4 = TRUCK	01 = CHASSIS FORWARD CONTROL W.B.1 02 = CAB CHASSIS WHEEL BASE 2 06 = CAB CHASSIS WHEEL BASE 6 11 = VAN WHEEL BASE 1 12 = VAN WHEEL BASE 2 51 = WAGON WHEEL BASE 1 52 = WAGON WHEEL BASE 2 14 = VAN WHEEL BASE 4 15 = VAN WHEEL BASE 5 54 = WAGON WHEEL BASE 4 55 = WAGON WHEEL BASE 5 56 = WAGON WHEEL BASE 6 16 = VAN WHEEL BASE 6	EX8 = 2.7L I5 Turbo Diesel Engine EX9 = 2.7L I5 Mercedes-Benz TD Engine	DGJ = 5-Speed Automatic MB Transmission DGZ = 4-Spd. Automatic MT643 Transmission

AR = use ase required - = Non illustrated part

**Column Steering and Related
Figure 19-210**



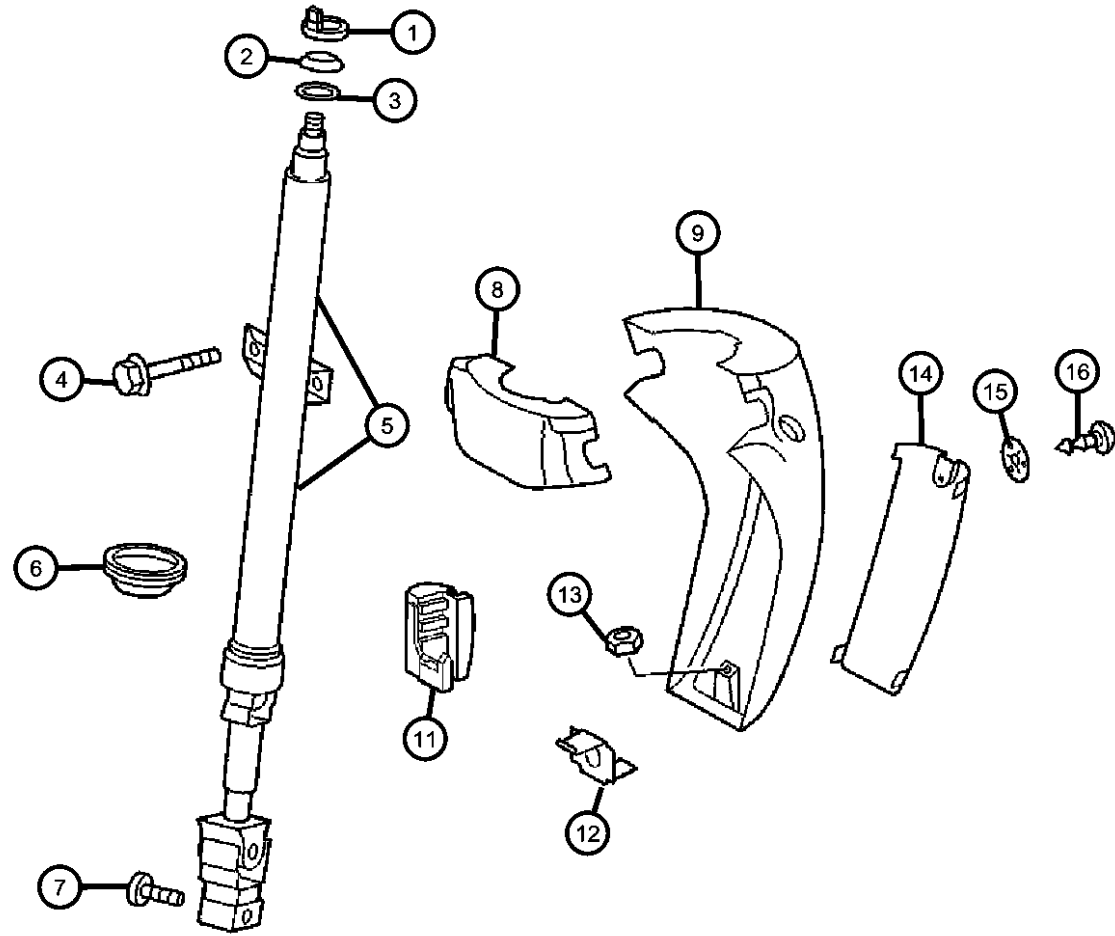
ITEM	PART NUMBER	QTY	LINE	SERIES	BODY	ENGINE	TRANS	TRIM	DESCRIPTION
Note; Sales Codes; [WCL] = 15 Inch Steel Wheels [WDG] = 16 Inch Steel Wheels									
1									RING
	05103651AA	1	2, 6	L	01, 02, 06	EX8	DGZ		
		1	2, 6	L	11, 12, 14, 15, 16	EX8	DGZ		
		1	2, 6	L	51, 52, 54, 55, 56	EX8	DGZ		
		1	3, 7	L	02, 06	EX8	DGZ		
		1	3, 7	L	12, 15, 16	EX8	DGZ		
2									SPACER
	05127709AA	1	2, 6	L	51, 52, 54, 55, 56	EX8	DGZ		
		1	3, 7	L	02, 06	EX8	DGZ		
		1	3, 7	L	12, 15, 16	EX8	DGZ		
		1	2, 6	L	01, 02, 06	EX8	DGZ		
		1	2, 6	L	11, 12, 14, 15, 16	EX8	DGZ		
3									WASHER, Thrust
	05127708AA	1	2, 6	L	01, 02, 06	EX8	DGZ		
		1	2, 6	L	11, 12, 14, 15, 16	EX8	DGZ		
		1	2, 6	L	51, 52, 54, 55, 56	EX8	DGZ		
		1	3, 7	L	02, 06	EX8	DGZ		
		1	3, 7	L	12, 15, 16	EX8	DGZ		
4									BOLT, Hex Head
	05126227AA	2	2, 6	L	01, 02, 06	EX8	DGZ		
		2	2, 6	L	11, 12, 14, 15, 16	EX8	DGZ		
		2	2, 6	L	51, 52, 54, 55, 56	EX8	DGZ		

SPRINTER (VA)

SERIES	LINE	BODY	ENGINE	TRANSMISSION
L = LOWLINE	3 = HD DODGE 2WD 8 = HD DODGE 4WD 6 = Lt. Duty DODGE 4WD 2 = Med. Duty DODGE 2WD 7 = Med. Duty DODGE 4WD 4 = TRUCK	01 = CHASSIS FORWARD CONTROL W.B.1 02 = CAB CHASSIS WHEEL BASE 2 06 = CAB CHASSIS WHEEL BASE 6 11 = VAN WHEEL BASE 1 12 = VAN WHEEL BASE 2 51 = WAGON WHEEL BASE 1 52 = WAGON WHEEL BASE 2 14 = VAN WHEEL BASE 4 15 = VAN WHEEL BASE 5 54 = WAGON WHEEL BASE 4 55 = WAGON WHEEL BASE 5 56 = WAGON WHEEL BASE 6 16 = VAN WHEEL BASE 6	EX8 = 2.7L I5 Turbo Diesel Engine EX9 = 2.7L I5 Mercedes-Benz TD Engine	DGJ = 5-Speed Automatic MB Transmission DGZ = 4-Spd. Automatic MT643 Transmission

AR = use ase required - = Non illustrated part

Column Steering and Related
Figure 19-210



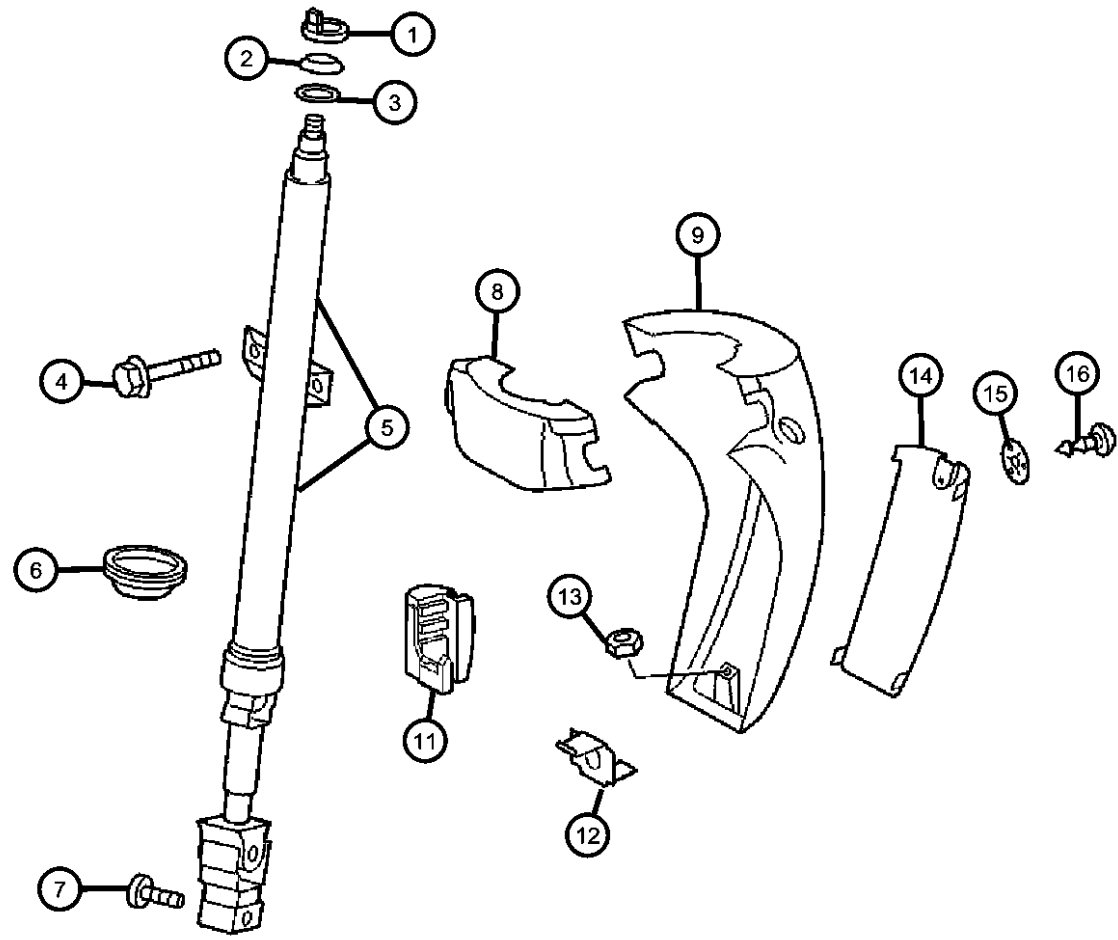
ITEM	PART NUMBER	QTY	LINE	SERIES	BODY	ENGINE	TRANS	TRIM	DESCRIPTION
		2	3, 7	L	02, 06	EX8	DGZ		
		2	3, 7	L	12, 15, 16	EX8	DGZ		
5									COLUMN, Steering
	05104564AA	1	2, 6	L	11, 12, 14, 15, 16	EX8	DGZ		[WDG]
		1	2, 6	L	51, 52, 54, 55, 56	EX8	DGZ		[WDG]
	05104563AA	1	2, 6	L	01, 02, 06	EX8	DGZ		
		1	2, 6	L	11, 12, 14, 15, 16	EX8	DGZ		
		1	2, 6	L	51, 52, 54, 55, 56	EX8	DGZ		
		1	2, 6	L	01, 02, 06	EX8	DGZ		[WDG]
	05129396AA	1	2, 6	L	01, 02, 06	EX8	DGZ		With [BNB]
		1	2, 6	L	11, 12, 14, 15, 16	EX8	DGZ		With [BNB]
		1	2, 6	L	51, 52, 54, 55, 56	EX8	DGZ		With [BNB]
	05129404AA	1	2, 6	L	01, 02, 06	EX8	DGZ		With [BNB+WDG]
		1	2, 6	L	11, 12, 14, 15, 16	EX8	DGZ		With [BNB+WDG]
		1	2, 6	L	51, 52, 54, 55, 56	EX8	DGZ		With [BNB+WDG]
6									SEAL, Steering Gear
	05119536AA	1	2, 6	L	11, 12, 14, 15, 16	EX8	DGZ		
		1	2, 6	L	51, 52, 54, 55, 56	EX8	DGZ		
		1	3, 7	L	02, 06	EX8	DGZ		
		1	3, 7	L	12, 15, 16	EX8	DGZ		
		1	2, 6	L	01, 02, 06	EX8	DGZ		
7									SCREW, Steering Column
	05125707AA	1	2, 6	L	01, 02, 06	EX8	DGZ		

SPRINTER (VA)

SERIES	LINE	BODY	ENGINE	TRANSMISSION
L = LOWLINE	3 = HD DODGE 2WD 8 = HD DODGE 4WD 6 = Lt. Duty DODGE 4WD 2 = Med. Duty DODGE 2WD 7 = Med. Duty DODGE 4WD 4 = TRUCK	01 = CHASSIS FORWARD CONTROL W.B.1 02 = CAB CHASSIS WHEEL BASE 2 06 = CAB CHASSIS WHEEL BASE 6 11 = VAN WHEEL BASE 1 12 = VAN WHEEL BASE 2 51 = WAGON WHEEL BASE 1 52 = WAGON WHEEL BASE 2 14 = VAN WHEEL BASE 4 15 = VAN WHEEL BASE 5 54 = WAGON WHEEL BASE 4 55 = WAGON WHEEL BASE 5 56 = WAGON WHEEL BASE 6 16 = VAN WHEEL BASE 6	EX8 = 2.7L I5 Turbo Diesel Engine EX9 = 2.7L I5 Mercedes-Benz TD Engine	DGJ = 5-Speed Automatic MB Transmission DGZ = 4-Spd. Automatic MT643 Transmission

AR = use ase required - = Non illustrated part

Column Steering and Related
Figure 19-210



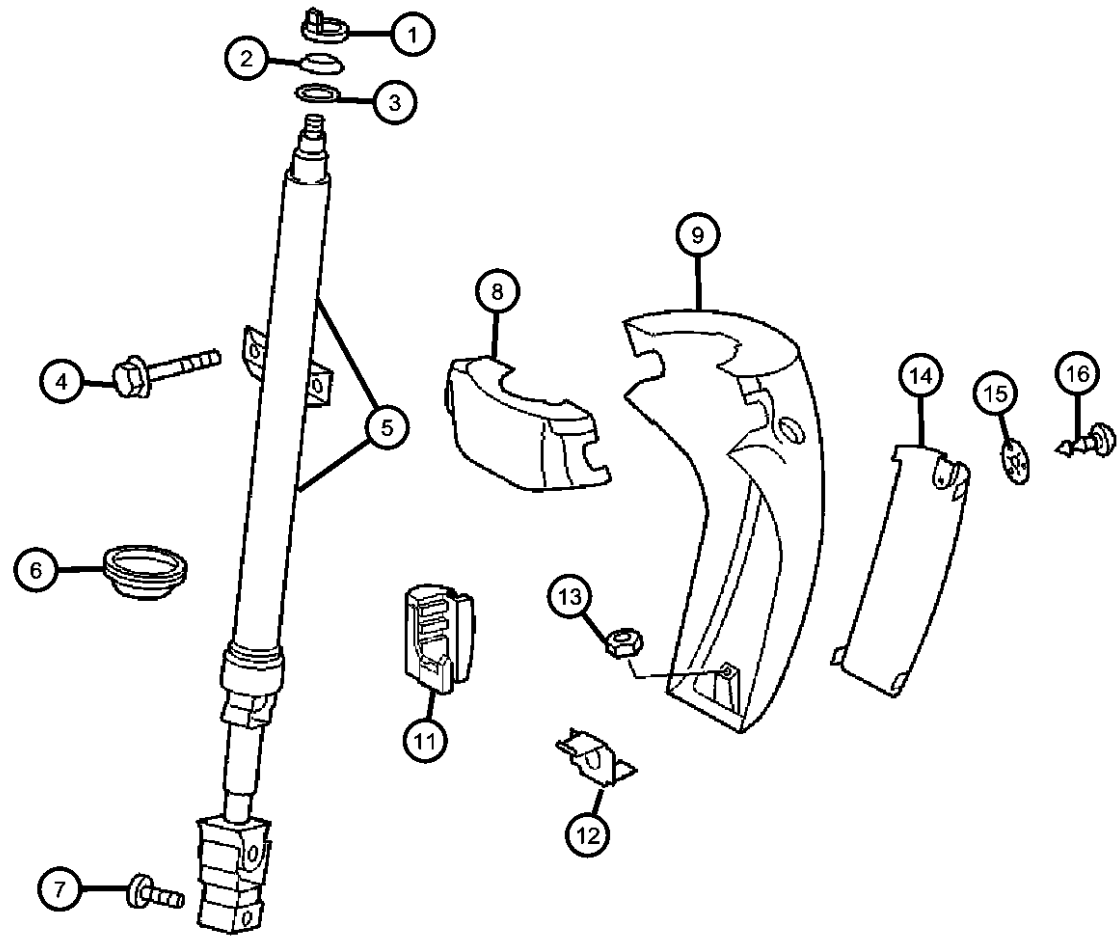
ITEM	PART NUMBER	QTY	LINE	SERIES	BODY	ENGINE	TRANS	TRIM	DESCRIPTION
		1	2, 6	L	11, 12, 14, 15, 16	EX8	DGZ		
		1	2, 6	L	51, 52, 54, 55, 56	EX8	DGZ		
		1	3, 7	L	02, 06	EX8	DGZ		
		1	3, 7	L	12, 15, 16	EX8	DGZ		
8									SHROUD, Steering Column, Upper
	05119534AA	1	2, 6	L	01, 02, 06	EX8	DGZ		
		1	2, 6	L	11, 12, 14, 15, 16	EX8	DGZ		
		1	2, 6	L	51, 52, 54, 55, 56	EX8	DGZ		
		1	3, 7	L	02, 06	EX8	DGZ		
		1	3, 7	L	12, 15, 16	EX8	DGZ		
9									SHROUD, Steering Column, Lower
	05119524AA	1	2, 6	L	11, 12, 14, 15, 16	EX8	DGZ		
		1	2, 6	L	51, 52, 54, 55, 56	EX8	DGZ		
		1	3, 7	L	02, 06	EX8	DGZ		
		1	3, 7	L	12, 15, 16	EX8	DGZ		
		1	2, 6	L	01, 02, 06	EX8	DGZ		
-10									SCREW, Steering Column
	05126274AA	2	2, 6	L	01, 02, 06	EX8	DGZ		
		2	2, 6	L	11, 12, 14, 15, 16	EX8	DGZ		
		2	2, 6	L	51, 52, 54, 55, 56	EX8	DGZ		
		2	3, 7	L	02, 06	EX8	DGZ		
		2	3, 7	L	12, 15, 16	EX8	DGZ		
11									GROMMET, Steering Column Cover

SPRINTER (VA)

SERIES	LINE	BODY	ENGINE	TRANSMISSION
L = LOWLINE	3 = HD DODGE 2WD 8 = HD DODGE 4WD 6 = Lt. Duty DODGE 4WD 2 = Med. Duty DODGE 2WD 7 = Med. Duty DODGE 4WD 4 = TRUCK	01 = CHASSIS FORWARD CONTROL W.B.1 02 = CAB CHASSIS WHEEL BASE 2 06 = CAB CHASSIS WHEEL BASE 6 11 = VAN WHEEL BASE 1 12 = VAN WHEEL BASE 2 51 = WAGON WHEEL BASE 1 52 = WAGON WHEEL BASE 2 14 = VAN WHEEL BASE 4 15 = VAN WHEEL BASE 5 54 = WAGON WHEEL BASE 4 55 = WAGON WHEEL BASE 5 56 = WAGON WHEEL BASE 6 16 = VAN WHEEL BASE 6	EX8 = 2.7L I5 Turbo Diesel Engine EX9 = 2.7L I5 Mercedes-Benz TD Engine	DGJ = 5-Speed Automatic MB Transmission DGZ = 4-Spd. Automatic MT643 Transmission

AR = use ase required - = Non illustrated part

**Column Steering and Related
Figure 19-210**



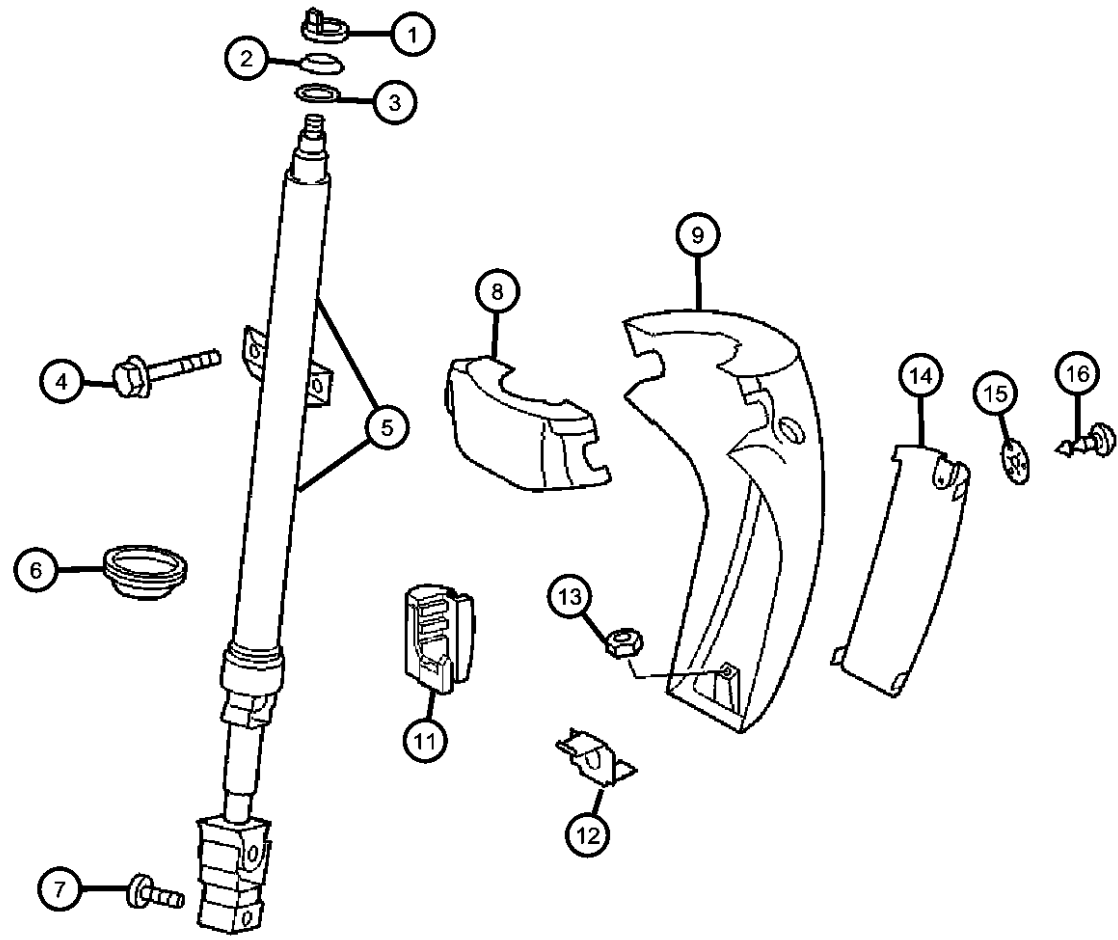
ITEM	PART NUMBER	QTY	LINE	SERIES	BODY	ENGINE	TRANS	TRIM	DESCRIPTION
	05122935AA	1	2, 6	L	01, 02, 06	EX8	DGZ		
		1	2, 6	L	11, 12, 14, 15, 16	EX8	DGZ		
		1	2, 6	L	51, 52, 54, 55, 56	EX8	DGZ		
		1	3, 7	L	02, 06	EX8	DGZ		
		1	3, 7	L	12, 15, 16	EX8	DGZ		
12									CLIP, Steering Column
	05125568AA	1	2, 6	L	51, 52, 54, 55, 56	EX8	DGZ		
		1	3, 7	L	02, 06	EX8	DGZ		
		1	3, 7	L	12, 15, 16	EX8	DGZ		
		1	2, 6	L	01, 02, 06	EX8	DGZ		
		1	2, 6	L	11, 12, 14, 15, 16	EX8	DGZ		
13									NUT, M6x1.00
	05127449AA	2	2, 6	L	01, 02, 06	EX8	DGZ		
		2	2, 6	L	11, 12, 14, 15, 16	EX8	DGZ		
		2	2, 6	L	51, 52, 54, 55, 56	EX8	DGZ		
		2	3, 7	L	02, 06	EX8	DGZ		
		2	3, 7	L	12, 15, 16	EX8	DGZ		
14									COVER, Steering Column Opening
	05119525AA	1	2, 6	L	01, 02, 06	EX8	DGZ		
		1	2, 6	L	11, 12, 14, 15, 16	EX8	DGZ		
		1	2, 6	L	51, 52, 54, 55, 56	EX8	DGZ		
		1	3, 7	L	02, 06	EX8	DGZ		
		1	3, 7	L	12, 15, 16	EX8	DGZ		
15									WASHER, Steering Column

SPRINTER (VA)

SERIES	LINE	BODY	ENGINE	TRANSMISSION
L = LOWLINE	3 = HD DODGE 2WD 8 = HD DODGE 4WD 6 = Lt. Duty DODGE 4WD 2 = Med. Duty DODGE 2WD 7 = Med. Duty DODGE 4WD 4 = TRUCK	01 = CHASSIS FORWARD CONTROL W.B.1 02 = CAB CHASSIS WHEEL BASE 2 06 = CAB CHASSIS WHEEL BASE 6 11 = VAN WHEEL BASE 1 12 = VAN WHEEL BASE 2 51 = WAGON WHEEL BASE 1 52 = WAGON WHEEL BASE 2 14 = VAN WHEEL BASE 4 15 = VAN WHEEL BASE 5 54 = WAGON WHEEL BASE 4 55 = WAGON WHEEL BASE 5 56 = WAGON WHEEL BASE 6 16 = VAN WHEEL BASE 6	EX8 = 2.7L I5 Turbo Diesel Engine EX9 = 2.7L I5 Mercedes-Benz TD Engine	DGJ = 5-Speed Automatic MB Transmission DGZ = 4-Spd. Automatic MT643 Transmission

AR = use ase required - = Non illustrated part

**Column Steering and Related
Figure 19-210**



ITEM	PART NUMBER	QTY	LINE	SERIES	BODY	ENGINE	TRANS	TRIM	DESCRIPTION
	05125751AA	1	2, 6	L	01, 02, 06	EX8	DGZ		
		1	2, 6	L	11, 12, 14, 15, 16	EX8	DGZ		
		1	2, 6	L	51, 52, 54, 55, 56	EX8	DGZ		
		1	3, 7	L	02, 06	EX8	DGZ		
		1	3, 7	L	12, 15, 16	EX8	DGZ		
16	05125557AA	1	2, 6	L	51, 52, 54, 55, 56	EX8	DGZ		SCREW, Steering Column
		1	3, 7	L	02, 06	EX8	DGZ		
		1	3, 7	L	12, 15, 16	EX8	DGZ		
		1	2, 6	L	01, 02, 06	EX8	DGZ		
		1	2, 6	L	11, 12, 14, 15, 16	EX8	DGZ		

SPRINTER (VA)

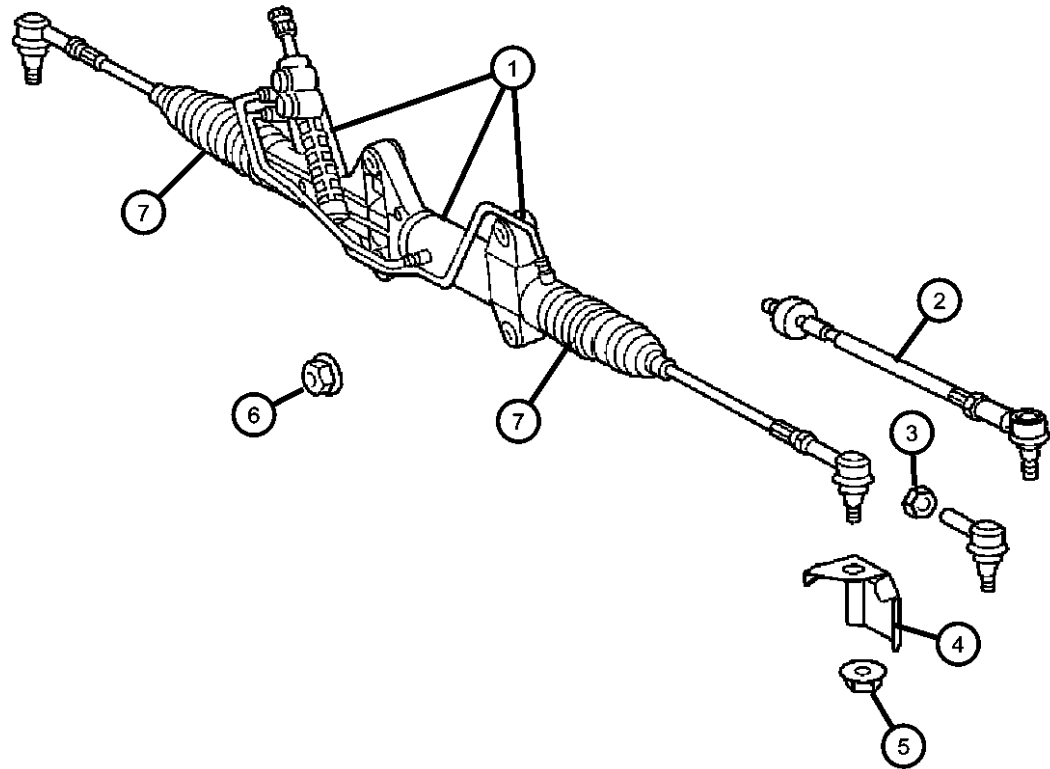
SERIES	LINE	BODY	ENGINE	TRANSMISSION
L = LOWLINE	3 = HD DODGE 2WD 8 = HD DODGE 4WD 6 = Lt. Duty DODGE 4WD 2 = Med. Duty DODGE 2WD 7 = Med. Duty DODGE 4WD 4 = TRUCK	01 = CHASSIS FORWARD CONTROL W.B.1 02 = CAB CHASSIS WHEEL BASE 2 06 = CAB CHASSIS WHEEL BASE 6 11 = VAN WHEEL BASE 1 12 = VAN WHEEL BASE 2 51 = WAGON WHEEL BASE 1 52 = WAGON WHEEL BASE 2 14 = VAN WHEEL BASE 4 15 = VAN WHEEL BASE 5 54 = WAGON WHEEL BASE 4 55 = WAGON WHEEL BASE 5 56 = WAGON WHEEL BASE 6 16 = VAN WHEEL BASE 6	EX8 = 2.7L I5 Turbo Diesel Engine EX9 = 2.7L I5 Mercedes-Benz TD Engine	DGJ = 5-Speed Automatic MB Transmission DGZ = 4-Spd. Automatic MT643 Transmission

AR = use ase required - = Non illustrated part

Gear - Steering
Figure 19-310

ITEM	PART NUMBER	QTY	LINE	SERIES	BODY	ENGINE	TRANS	TRIM	DESCRIPTION
------	-------------	-----	------	--------	------	--------	-------	------	-------------

Note; Sales Codes;
[WCL] = 15 inch Steel Wheels
[WDG] = 16 Inch Steel Wheels



1									GEAR, Power Steering
	05104094AA	1	2, 6	L	01, 02, 06	EX8	DGZ		15 Wheels
		1	2, 6	L	11, 12, 14, 15, 16	EX8	DGZ		15 Wheels
		1	2, 6	L	51, 52, 54, 55, 56	EX8	DGZ		15 Wheels
	05104585AA	1	2, 6	L	01, 02, 06	EX8	DGZ		16 Wheels
		1	2, 6	L	11, 12, 14, 15, 16	EX8	DGZ		16 Wheels
		1	2, 6	L	51, 52, 54, 55, 56	EX8	DGZ		16 Wheels
		1	3, 7	L	02, 06	EX8	DGZ		16 Wheels
		1	3, 7	L	12, 15, 16	EX8	DGZ		16 Wheels
2									END, Tie Rod
	05104091AA	2	2, 6	L	01, 02, 06	EX8	DGZ		
		2	2, 6	L	11, 12, 14, 15, 16	EX8	DGZ		
		2	2, 6	L	51, 52, 54, 55, 56	EX8	DGZ		
		2	3, 7	L	02, 06	EX8	DGZ		
		2	3, 7	L	12, 15, 16	EX8	DGZ		
3									JAM NUT, Outer Tie Rod
	05133906AA	2	2, 6	L	01, 02, 06	EX8	DGZ		
		2	2, 6	L	11, 12, 14, 15, 16	EX8	DGZ		
		2	2, 6	L	51, 52, 54, 55, 56	EX8	DGZ		
		2	3, 7	L	02, 06	EX8	DGZ		
		2	3, 7	L	12, 15, 16	EX8	DGZ		
4									PLATE, Backing

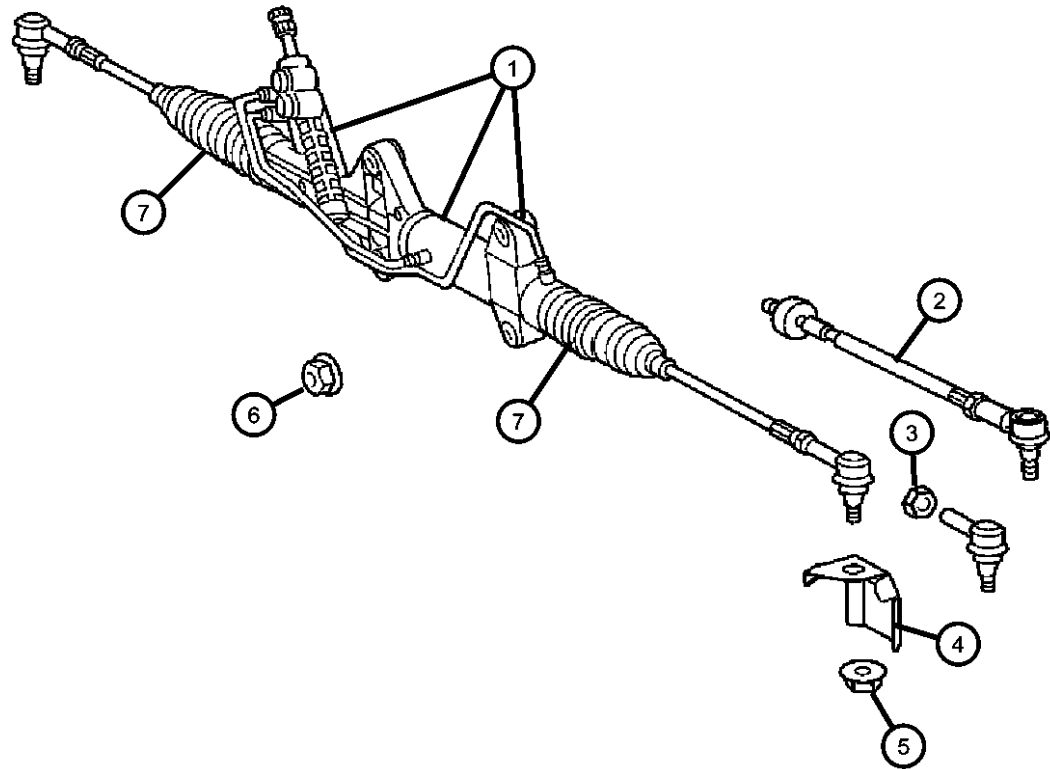
SPRINTER (VA)

SERIES	LINE	BODY	ENGINE	TRANSMISSION
L = LOWLINE	3 = HD DODGE 2WD 8 = HD DODGE 4WD 6 = Lt. Duty DODGE 4WD 2 = Med. Duty DODGE 2WD 7 = Med. Duty DODGE 4WD 4 = TRUCK	01 = CHASSIS FORWARD CONTROL W.B.1 02 = CAB CHASSIS WHEEL BASE 2 06 = CAB CHASSIS WHEEL BASE 6 11 = VAN WHEEL BASE 1 12 = VAN WHEEL BASE 2 51 = WAGON WHEEL BASE 1 52 = WAGON WHEEL BASE 2 14 = VAN WHEEL BASE 4 15 = VAN WHEEL BASE 5 54 = WAGON WHEEL BASE 4 55 = WAGON WHEEL BASE 5 56 = WAGON WHEEL BASE 6 16 = VAN WHEEL BASE 6	EX8 = 2.7L I5 Turbo Diesel Engine EX9 = 2.7L I5 Mercedes-Benz TD Engine	DGJ = 5-Speed Automatic MB Transmission DGZ = 4-Spd. Automatic MT643 Transmission

AR = use ase required - = Non illustrated part

Gear - Steering
Figure 19-310

ITEM	PART NUMBER	QTY	LINE	SERIES	BODY	ENGINE	TRANS	TRIM	DESCRIPTION
	05119249AA	2	2, 6	L	01, 02, 06	EX8	DGZ		
		2	2, 6	L	11, 12, 14, 15, 16	EX8	DGZ		
		2	2, 6	L	51, 52, 54, 55, 56	EX8	DGZ		
		2	3, 7	L	02, 06	EX8	DGZ		
		2	3, 7	L	12, 15, 16	EX8	DGZ		
5									NUT
	05125761AA	2	2, 6	L	01, 02, 06	EX8	DGZ		
		2	2, 6	L	11, 12, 14, 15, 16	EX8	DGZ		
		2	2, 6	L	51, 52, 54, 55, 56	EX8	DGZ		
		2	3, 7	L	02, 06	EX8	DGZ		
		2	3, 7	L	12, 15, 16	EX8	DGZ		
6									NUT
	06104717AA	2	2, 6	L	01, 02, 06	EX8	DGZ		
		4	2, 6	L	11, 12, 14, 15, 16	EX8	DGZ		
		4	2, 6	L	51, 52, 54, 55, 56	EX8	DGZ		
		4	3, 7	L	02, 06	EX8	DGZ		
		4	3, 7	L	12, 15, 16	EX8	DGZ		
7									BOOT, Steering Gear
	05133904AA	2	2, 6	L	01, 02, 06	EX8	DGZ		
		2	2, 6	L	11, 12, 14, 15, 16	EX8	DGZ		
		2	2, 6	L	51, 52, 54, 55, 56	EX8	DGZ		



SPRINTER (VA)

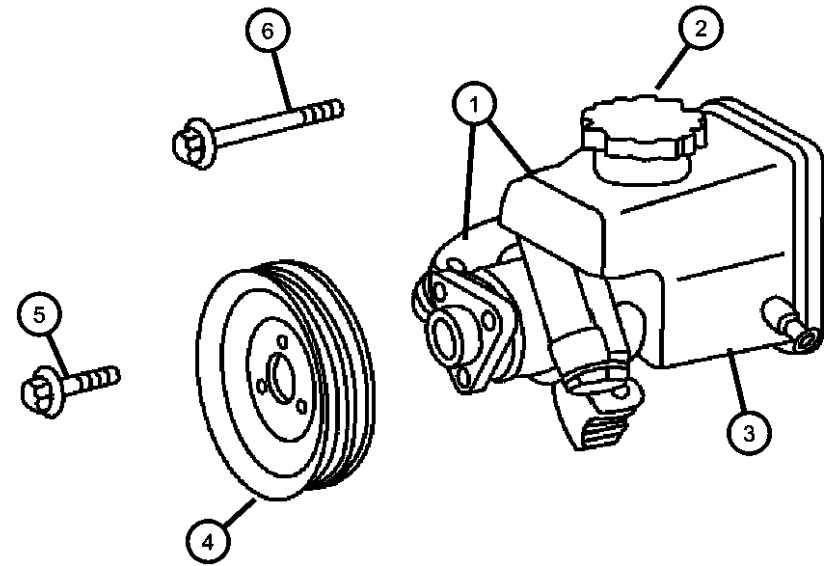
SERIES	LINE	BODY	ENGINE	TRANSMISSION
L = LOWLINE	3 = HD DODGE 2WD 8 = HD DODGE 4WD 6 = Lt. Duty DODGE 4WD 2 = Med. Duty DODGE 2WD 7 = Med. Duty DODGE 4WD 4 = TRUCK	01 = CHASSIS FORWARD CONTROL W.B.1 02 = CAB CHASSIS WHEEL BASE 2 06 = CAB CHASSIS WHEEL BASE 6 11 = VAN WHEEL BASE 1 12 = VAN WHEEL BASE 2 51 = WAGON WHEEL BASE 1 52 = WAGON WHEEL BASE 2 14 = VAN WHEEL BASE 4 15 = VAN WHEEL BASE 5 54 = WAGON WHEEL BASE 4 55 = WAGON WHEEL BASE 5 56 = WAGON WHEEL BASE 6 16 = VAN WHEEL BASE 6	EX8 = 2.7L I5 Turbo Diesel Engine EX9 = 2.7L I5 Mercedes-Benz TD Engine	DGJ = 5-Speed Automatic MB Transmission DGZ = 4-Spd. Automatic MT643 Transmission

AR = use ase required - = Non illustrated part

Pump and Pulley, Steering
Figure 19-510

ITEM	PART NUMBER	QTY	LINE	SERIES	BODY	ENGINE	TRANS	TRIM	DESCRIPTION
------	-------------	-----	------	--------	------	--------	-------	------	-------------

Note; Sales Codes;
[EX8] = 2.7L I5 MERCEDES-BENZ



1									PUMP, Power Steering
	05103795AA	1	2, 6	L	01, 02, 06	EX8	DGZ		
	05013457AA								Mopar Power Steering Fluid Quart
		1	2, 6	L	11, 12, 14, 15, 16	EX8	DGZ		
	05013457AA								Mopar Power Steering Fluid Quart
		1	2, 6	L	51, 52, 54, 55, 56	EX8	DGZ		
	05013457AA								Mopar Power Steering Fluid Quart
		1	3, 7	L	02, 06	EX8	DGZ		
	05013457AA								Mopar Power Steering Fluid Quart
		1	3, 7	L	12, 15, 16	EX8	DGZ		
	05013457AA								Mopar Power Steering Fluid Quart
2	05139279AA	1							CAP, Power Steering Reservoir
3	05139279AA	1							RESERVOIR, Power Steering Pump, Service with power steering pump, (NOT SERVICED)
4									PULLEY, Power Steering Pump
	05117692AA	1	2, 6	L	01, 02, 06	EX8	DGZ		
		1	2, 6	L	11, 12, 14, 15, 16	EX8	DGZ		
		1	2, 6	L	51, 52, 54, 55, 56	EX8	DGZ		
		1	3, 7	L	02, 06	EX8	DGZ		
		1	3, 7	L	12, 15, 16	EX8	DGZ		
5									SCREW
	06507218AA	3	2, 6	L	01, 02, 06	EX8	DGZ		Pulley mounting

SPRINTER (VA)

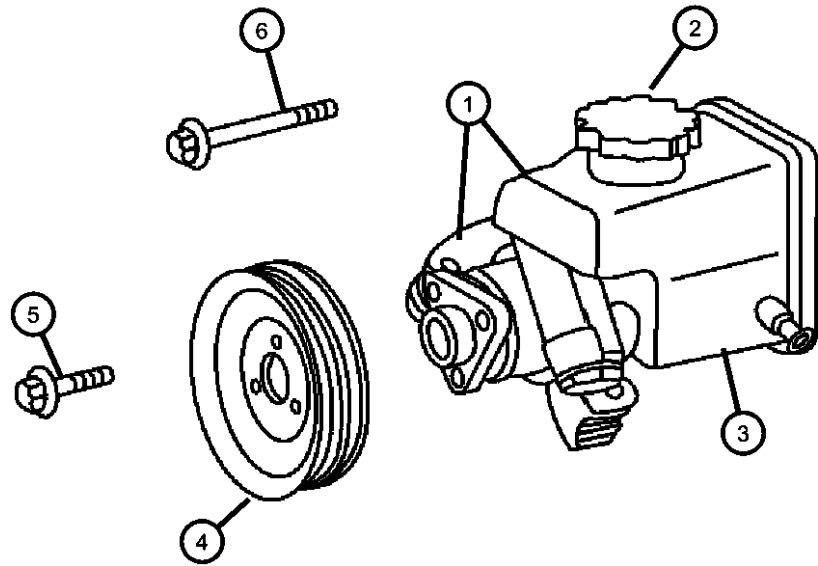
SERIES	LINE	BODY	ENGINE	TRANSMISSION
L = LOWLINE	3 = HD DODGE 2WD 8 = HD DODGE 4WD 6 = Lt. Duty DODGE 4WD 2 = Med. Duty DODGE 2WD 7 = Med. Duty DODGE 4WD 4 = TRUCK	01 = CHASSIS FORWARD CONTROL W.B.1 02 = CAB CHASSIS WHEEL BASE 2 06 = CAB CHASSIS WHEEL BASE 6 11 = VAN WHEEL BASE 1 12 = VAN WHEEL BASE 2 51 = WAGON WHEEL BASE 1 52 = WAGON WHEEL BASE 2 14 = VAN WHEEL BASE 4 15 = VAN WHEEL BASE 5 54 = WAGON WHEEL BASE 4 55 = WAGON WHEEL BASE 5 56 = WAGON WHEEL BASE 6 16 = VAN WHEEL BASE 6	EX8 = 2.7L I5 Turbo Diesel Engine EX9 = 2.7L I5 Mercedes-Benz TD Engine	DGJ = 5-Speed Automatic MB Transmission DGZ = 4-Spd. Automatic MT643 Transmission

AR = use ase required - = Non illustrated part

2006 VA

Pump and Pulley, Steering
Figure 19-510

ITEM	PART NUMBER	QTY	LINE	SERIES	BODY	ENGINE	TRANS	TRIM	DESCRIPTION
		3	2, 6	L	11, 12, 14, 15, 16	EX8	DGZ		Pulley mounting
		3	2, 6	L	51, 52, 54, 55, 56	EX8	DGZ		Pulley mounting
		3	3, 7	L	02, 06	EX8	DGZ		Pulley mounting
		3	3, 7	L	12, 15, 16	EX8	DGZ		Pulley mounting
6									BOLT, Hex Head
	05133207AA	1	2, 6	L	01, 02, 06	EX8	DGZ		Pump Mounting
		1	2, 6	L	11, 12, 14, 15, 16	EX8	DGZ		Pump Mounting
		1	2, 6	L	51, 52, 54, 55, 56	EX8	DGZ		Pump Mounting
		1	3, 7	L	02, 06	EX8	DGZ		Pump Mounting
		1	3, 7	L	12, 15, 16	EX8	DGZ		Pump Mounting



SPRINTER (VA)

SERIES	LINE	BODY	ENGINE	TRANSMISSION
L = LOWLINE	3 = HD DODGE 2WD 8 = HD DODGE 4WD 6 = Lt. Duty DODGE 4WD 2 = Med. Duty DODGE 2WD 7 = Med. Duty DODGE 4WD 4 = TRUCK	01 = CHASSIS FORWARD CONTROL W.B.1 02 = CAB CHASSIS WHEEL BASE 2 06 = CAB CHASSIS WHEEL BASE 6 11 = VAN WHEEL BASE 1 12 = VAN WHEEL BASE 2 51 = WAGON WHEEL BASE 1 52 = WAGON WHEEL BASE 2 14 = VAN WHEEL BASE 4 15 = VAN WHEEL BASE 5 54 = WAGON WHEEL BASE 4 55 = WAGON WHEEL BASE 5 56 = WAGON WHEEL BASE 6 16 = VAN WHEEL BASE 6	EX8 = 2.7L I5 Turbo Diesel Engine EX9 = 2.7L I5 Mercedes-Benz TD Engine	DGJ = 5-Speed Automatic MB Transmission DGZ = 4-Spd. Automatic MT643 Transmission

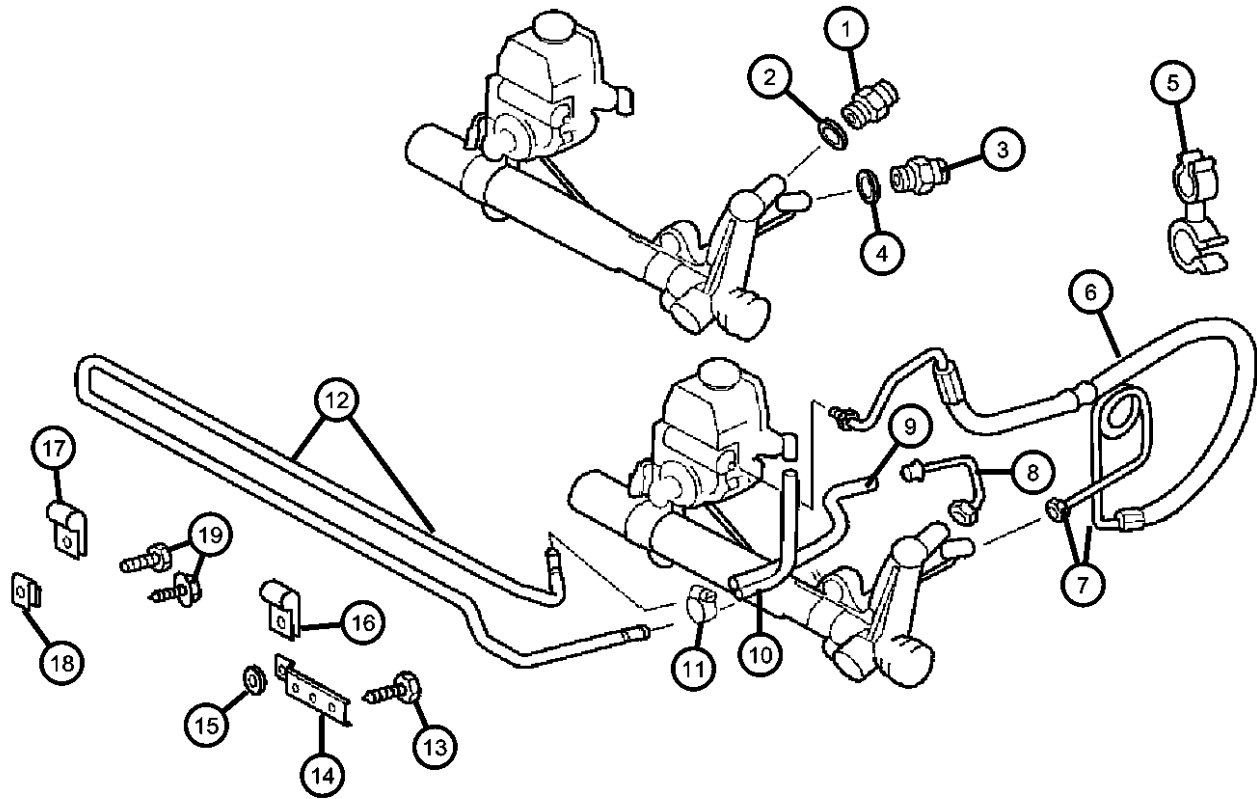
AR = use ase required - = Non illustrated part

2006 VA

Hoses Steering and Related
Figure 19-710

ITEM	PART NUMBER	QTY	LINE	SERIES	BODY	ENGINE	TRANS	TRIM	DESCRIPTION
------	-------------	-----	------	--------	------	--------	-------	------	-------------

Note; Sales Codes;
[EX8] = 2.7L I5 MERCEDES-BENZ



1									FITTING, Power Steering Pump
	05104540AA	1	2, 6	L	01, 02, 06	EX8	DGZ		
		1	2, 6	L	11, 12, 14, 15, 16	EX8	DGZ		
		1	2, 6	L	51, 52, 54, 55, 56	EX8	DGZ		
		1	3, 7	L	02, 06	EX8	DGZ		
		1	3, 7	L	12, 15, 16	EX8	DGZ		
2									SEAL
	05102646AA	1	2, 6	L	01, 02, 06	EX8	DGZ		
		1	2, 6	L	11, 12, 14, 15, 16	EX8	DGZ		
		1	2, 6	L	51, 52, 54, 55, 56	EX8	DGZ		
		1	3, 7	L	02, 06	EX8	DGZ		
		1	3, 7	L	12, 15, 16	EX8	DGZ		
3									FITTING, Power Steering Pump
	05104025AA	1	2, 6	L	01, 02, 06	EX8	DGZ		
		1	2, 6	L	11, 12, 14, 15, 16	EX8	DGZ		
		1	2, 6	L	51, 52, 54, 55, 56	EX8	DGZ		
		1	3, 7	L	02, 06	EX8	DGZ		
		1	3, 7	L	12, 15, 16	EX8	DGZ		
4									SEAL
	05102646AA	1	2, 6	L	01, 02, 06	EX8	DGZ		
		1	3, 7	L	12, 15, 16	EX8	DGZ		
		1	2, 6	L	11, 12, 14, 15, 16	EX8	DGZ		
		1	2, 6	L	51, 52, 54, 55, 56	EX8	DGZ		

SPRINTER (VA)

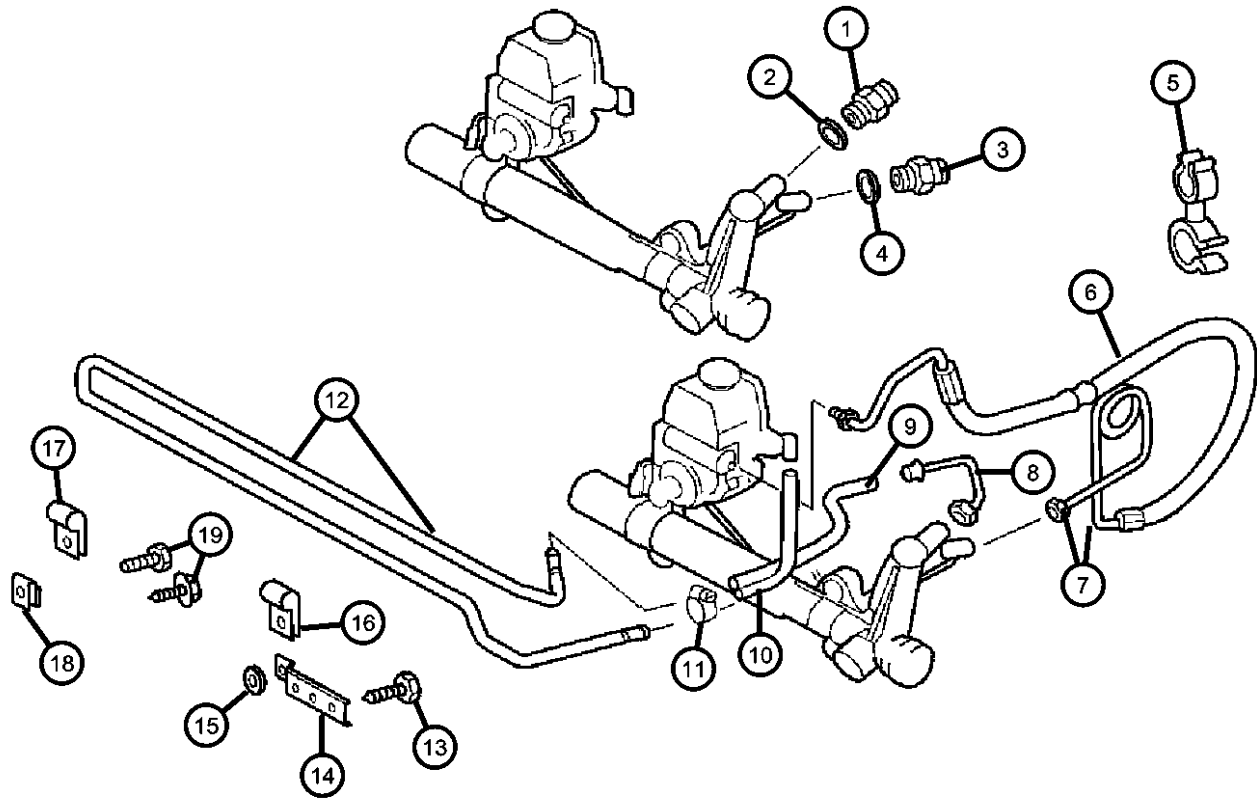
SERIES	LINE	BODY	ENGINE	TRANSMISSION
L = LOWLINE	3 = HD DODGE 2WD 8 = HD DODGE 4WD 6 = Lt. Duty DODGE 4WD 2 = Med. Duty DODGE 2WD 7 = Med. Duty DODGE 4WD 4 = TRUCK	01 = CHASSIS FORWARD CONTROL W.B.1 02 = CAB CHASSIS WHEEL BASE 2 06 = CAB CHASSIS WHEEL BASE 6 11 = VAN WHEEL BASE 1 12 = VAN WHEEL BASE 2 51 = WAGON WHEEL BASE 1 52 = WAGON WHEEL BASE 2 14 = VAN WHEEL BASE 4 15 = VAN WHEEL BASE 5 54 = WAGON WHEEL BASE 4 55 = WAGON WHEEL BASE 5 56 = WAGON WHEEL BASE 6 16 = VAN WHEEL BASE 6	EX8 = 2.7L I5 Turbo Diesel Engine EX9 = 2.7L I5 Mercedes-Benz TD Engine	DGJ = 5-Speed Automatic MB Transmission DGZ = 4-Spd. Automatic MT643 Transmission

AR = use ase required - = Non illustrated part

2006 VA

Hoses Steering and Related
Figure 19-710

ITEM	PART NUMBER	QTY	LINE	SERIES	BODY	ENGINE	TRANS	TRIM	DESCRIPTION
5		1	3, 7	L	02, 06	EX8	DGZ		CLAMP, Brake Hose
	05125887AA	1	2, 6	L	01, 02, 06	EX8	DGZ		
		1	2, 6	L	11, 12, 14, 15, 16	EX8	DGZ		
		1	2, 6	L	51, 52, 54, 55, 56	EX8	DGZ		
		1	3, 7	L	02, 06	EX8	DGZ		
		1	3, 7	L	12, 15, 16	EX8	DGZ		
6		1	2, 6	L	11, 12, 14, 15, 16	EX8	DGZ		HOSE, Power Steering Pressure
	05119564AA	1	2, 6	L	51, 52, 54, 55, 56	EX8	DGZ		
		1	3, 7	L	02, 06	EX8	DGZ		
		1	3, 7	L	12, 15, 16	EX8	DGZ		
		1	2, 6	L	01, 02, 06	EX8	DGZ		
7		1	2, 6	L	01, 02, 06	EX8	DGZ		HOSE, Power Steering Return
	05119563AA	1	2, 6	L	11, 12, 14, 15, 16	EX8	DGZ		
		1	2, 6	L	51, 52, 54, 55, 56	EX8	DGZ		
		1	3, 7	L	02, 06	EX8	DGZ		
		1	3, 7	L	12, 15, 16	EX8	DGZ		
8		1	2, 6	L	01, 02, 06	EX8	DGZ		LINE, Power Steering Return
	05104093AA	1	2, 6	L	11, 12, 14, 15, 16	EX8	DGZ		
		1	2, 6	L	51, 52, 54, 55, 56	EX8	DGZ		
		1	3, 7	L	02, 06	EX8	DGZ		



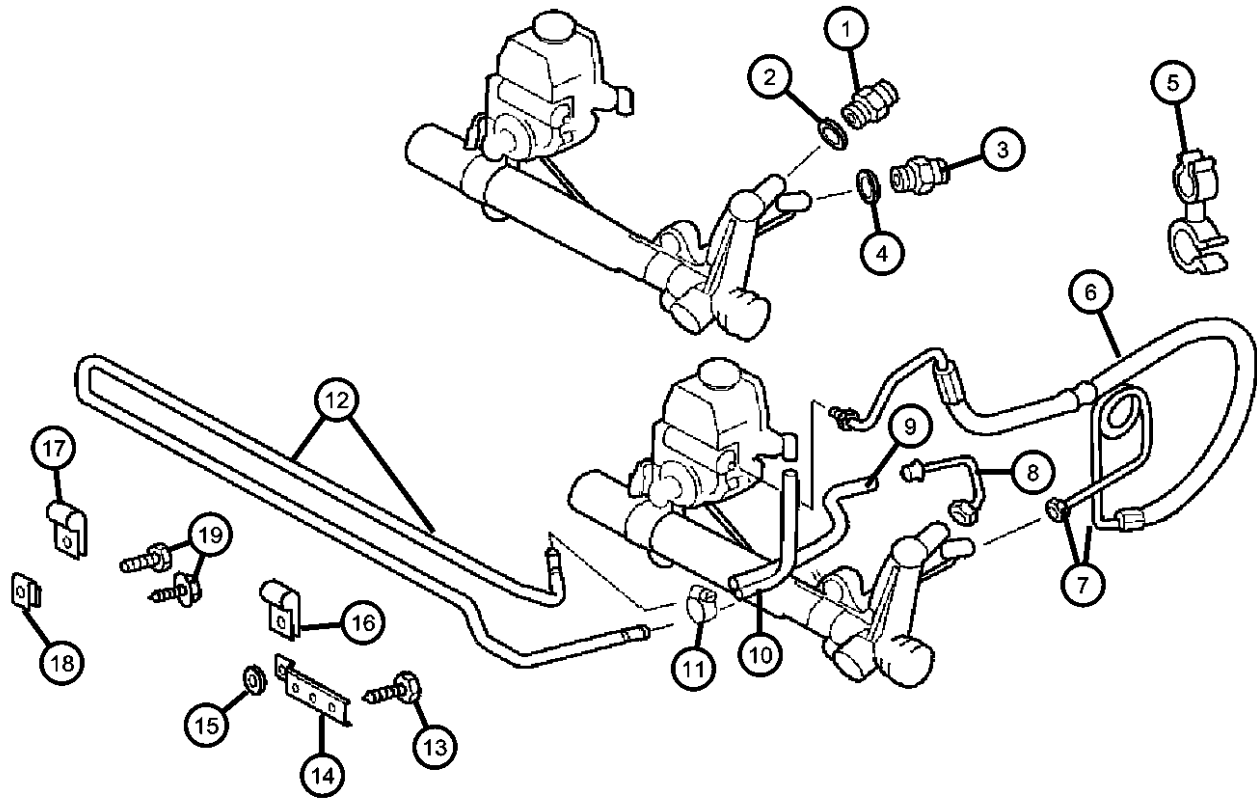
SPRINTER (VA)

SERIES	LINE	BODY	ENGINE	TRANSMISSION
L = LOWLINE	3 = HD DODGE 2WD 8 = HD DODGE 4WD 6 = Lt. Duty DODGE 4WD 2 = Med. Duty DODGE 2WD 7 = Med. Duty DODGE 4WD 4 = TRUCK	01 = CHASSIS FORWARD CONTROL W.B.1 02 = CAB CHASSIS WHEEL BASE 2 06 = CAB CHASSIS WHEEL BASE 6 11 = VAN WHEEL BASE 1 12 = VAN WHEEL BASE 2 51 = WAGON WHEEL BASE 1 52 = WAGON WHEEL BASE 2 14 = VAN WHEEL BASE 4 15 = VAN WHEEL BASE 5 54 = WAGON WHEEL BASE 4 55 = WAGON WHEEL BASE 5 56 = WAGON WHEEL BASE 6 16 = VAN WHEEL BASE 6	EX8 = 2.7L I5 Turbo Diesel Engine EX9 = 2.7L I5 Mercedes-Benz TD Engine	DGJ = 5-Speed Automatic MB Transmission DGZ = 4-Spd. Automatic MT643 Transmission

AR = use ase required - = Non illustrated part

Hoses Steering and Related
Figure 19-710

ITEM	PART NUMBER	QTY	LINE	SERIES	BODY	ENGINE	TRANS	TRIM	DESCRIPTION
9		1	3, 7	L	12, 15, 16	EX8	DGZ		HOSE
	05133784AA	100	2, 6	L	01, 02, 06	EX8	DGZ		5 Meters Long
		100	2, 6	L	11, 12, 14, 15, 16	EX8	DGZ		5 Meters Long
		100	3, 7	L	02, 06	EX8	DGZ		5 Meters Long
		100	3, 7	L	12, 15, 16	EX8	DGZ		5 Meters Long
		100	2, 6	L	51, 52, 54, 55, 56	EX8	DGZ		5 Meters Long
10									HOSE, Power Steering Return
	05119563AA	1	2, 6	L	01, 02, 06	EX8	DGZ		
		1	2, 6	L	11, 12, 14, 15, 16	EX8	DGZ		
		1	2, 6	L	51, 52, 54, 55, 56	EX8	DGZ		
		1	3, 7	L	02, 06	EX8	DGZ		
		1	3, 7	L	12, 15, 16	EX8	DGZ		
11									CLAMP, Brake Hose
	05096431AA	2	2, 6	L	01, 02, 06	EX8	DGZ		
		2	2, 6	L	11, 12, 14, 15, 16	EX8	DGZ		
		2	2, 6	L	51, 52, 54, 55, 56	EX8	DGZ		
		2	3, 7	L	02, 06	EX8	DGZ		
		2	3, 7	L	12, 15, 16	EX8	DGZ		
12									TUBE
	05104098AA	1	2, 6	L	02, 06, 01	EX8	DGZ		
		1	2, 6	L	11, 12, 14, 15, 16	EX8	DGZ		
		1	2, 6	L	51, 52, 54, 55, 56	EX8	DGZ		
		1	3, 7	L	02, 06	EX8	DGZ		



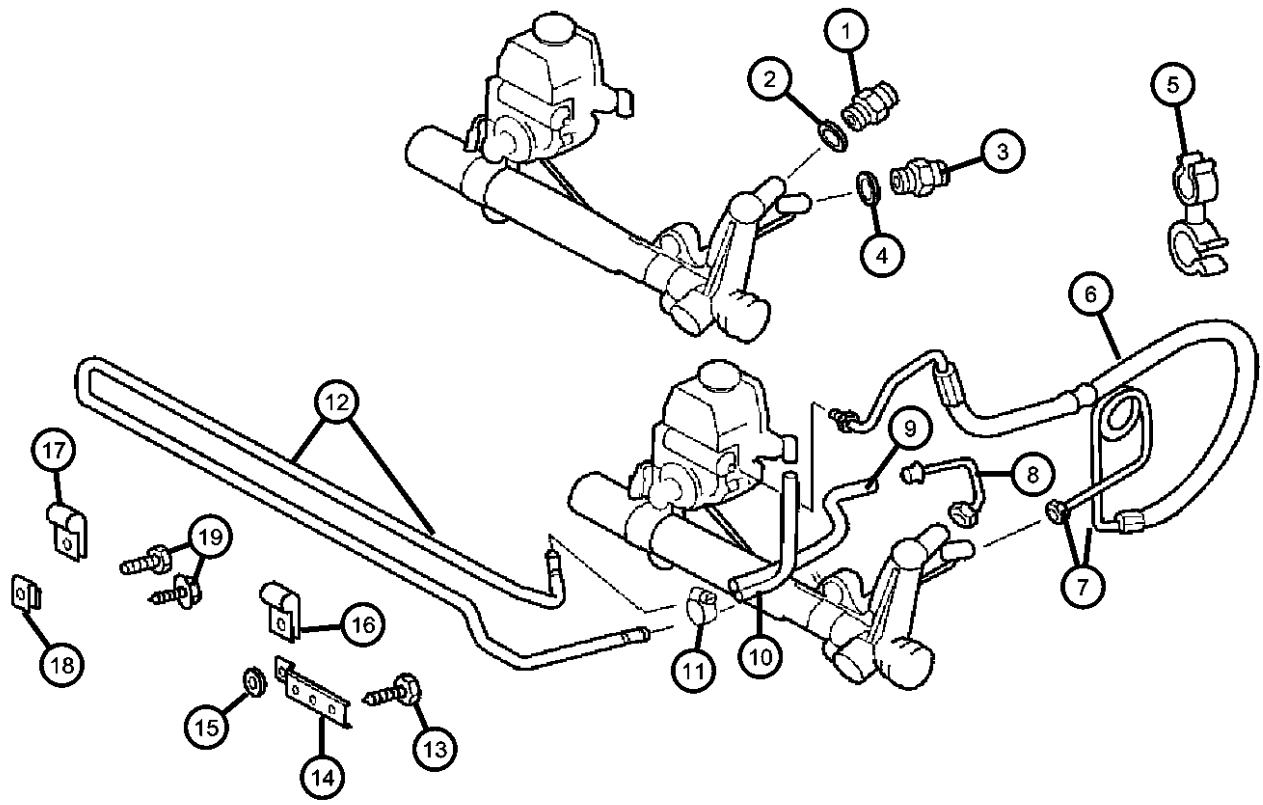
SPRINTER (VA)

SERIES	LINE	BODY	ENGINE	TRANSMISSION
L = LOWLINE	3 = HD DODGE 2WD 8 = HD DODGE 4WD 6 = Lt. Duty DODGE 4WD 2 = Med. Duty DODGE 2WD 7 = Med. Duty DODGE 4WD 4 = TRUCK	01 = CHASSIS FORWARD CONTROL W.B.1 02 = CAB CHASSIS WHEEL BASE 2 06 = CAB CHASSIS WHEEL BASE 6 11 = VAN WHEEL BASE 1 12 = VAN WHEEL BASE 2 51 = WAGON WHEEL BASE 1 52 = WAGON WHEEL BASE 2 14 = VAN WHEEL BASE 4 15 = VAN WHEEL BASE 5 54 = WAGON WHEEL BASE 4 55 = WAGON WHEEL BASE 5 56 = WAGON WHEEL BASE 6 16 = VAN WHEEL BASE 6	EX8 = 2.7L I5 Turbo Diesel Engine EX9 = 2.7L I5 Mercedes-Benz TD Engine	DGJ = 5-Speed Automatic MB Transmission DGZ = 4-Spd. Automatic MT643 Transmission

AR = use ase required - = Non illustrated part

Hoses Steering and Related
Figure 19-710

ITEM	PART NUMBER	QTY	LINE	SERIES	BODY	ENGINE	TRANS	TRIM	DESCRIPTION
13		1	3, 7	L	12, 15, 16	EX8	DGZ		SCREW, Tapping
	06104574AA	3	2, 6	L	01, 02, 06	EX8	DGZ		
		3	2, 6	L	11, 12, 14, 15, 16	EX8	DGZ		
		3	2, 6	L	51, 52, 54, 55, 56	EX8	DGZ		
		3	3, 7	L	02, 06	EX8	DGZ		
		3	3, 7	L	12, 15, 16	EX8	DGZ		
14									BRACKET, Mounting
	05119556AA	2	2, 6	L	01, 02, 06	EX8	DGZ		
		2	2, 6	L	11, 12, 14, 15, 16	EX8	DGZ		
		2	2, 6	L	55, 56, 51, 52, 54	EX8	DGZ		
		2	3, 7	L	02, 06	EX8	DGZ		
		2	3, 7	L	12, 15, 16	EX8	DGZ		
15									WASHER
	05104639AA	99	2, 6	L	11, 12, 14, 15, 16	EX8	DGZ		
		99	2, 6	L	51, 52, 54, 55, 56	EX8	DGZ		
		16	3, 7	L	12, 15, 16	EX8	DGZ		
16									CLAMP
	05126283AA	4	2, 6	L	01, 02, 06	EX8	DGZ		
		4	2, 6	L	11, 12, 14, 15, 16	EX8	DGZ		
		4	2, 6	L	51, 52, 54, 55, 56	EX8	DGZ		
		4	3, 7	L	02, 06	EX8	DGZ		
		4	3, 7	L	12, 15, 16	EX8	DGZ		
17									CLAMP



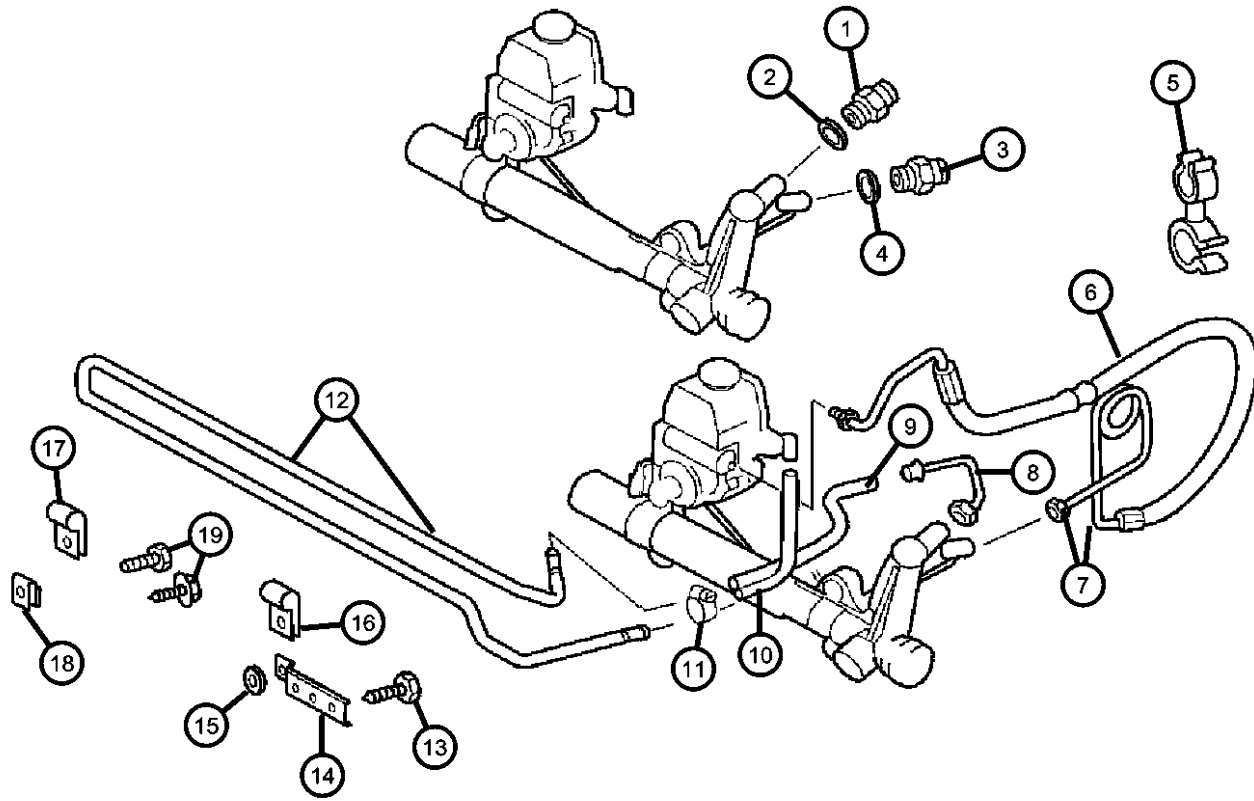
SPRINTER (VA)

SERIES	LINE	BODY	ENGINE	TRANSMISSION
L = LOWLINE	3 = HD DODGE 2WD 8 = HD DODGE 4WD 6 = Lt. Duty DODGE 4WD 2 = Med. Duty DODGE 2WD 7 = Med. Duty DODGE 4WD 4 = TRUCK	01 = CHASSIS FORWARD CONTROL W.B.1 02 = CAB CHASSIS WHEEL BASE 2 06 = CAB CHASSIS WHEEL BASE 6 11 = VAN WHEEL BASE 1 12 = VAN WHEEL BASE 2 51 = WAGON WHEEL BASE 1 52 = WAGON WHEEL BASE 2 14 = VAN WHEEL BASE 4 15 = VAN WHEEL BASE 5 54 = WAGON WHEEL BASE 4 55 = WAGON WHEEL BASE 5 56 = WAGON WHEEL BASE 6 16 = VAN WHEEL BASE 6	EX8 = 2.7L I5 Turbo Diesel Engine EX9 = 2.7L I5 Mercedes-Benz TD Engine	DGJ = 5-Speed Automatic MB Transmission DGZ = 4-Spd. Automatic MT643 Transmission

AR = use ase required - = Non illustrated part

Hoses Steering and Related
Figure 19-710

ITEM	PART NUMBER	QTY	LINE	SERIES	BODY	ENGINE	TRANS	TRIM	DESCRIPTION
	05132910AA	2	2, 6	L	01, 02, 06	EX8	DGZ		
		2	2, 6	L	11, 12, 14, 15, 16	EX8	DGZ		
		2	2, 6	L	51, 52, 54, 55, 56	EX8	DGZ		
18									NUT
	05103733AA	3	2, 6	L	01, 02, 06	EX8	DGZ		
		3	2, 6	L	11, 12, 14, 15, 16	EX8	DGZ		
		3	2, 6	L	51, 52, 54, 55, 56	EX8	DGZ		
		3	3, 7	L	02, 06	EX8	DGZ		
		3	3, 7	L	12, 15, 16	EX8	DGZ		
19		3							SCREW, (NOT SERVICED)



SPRINTER (VA)

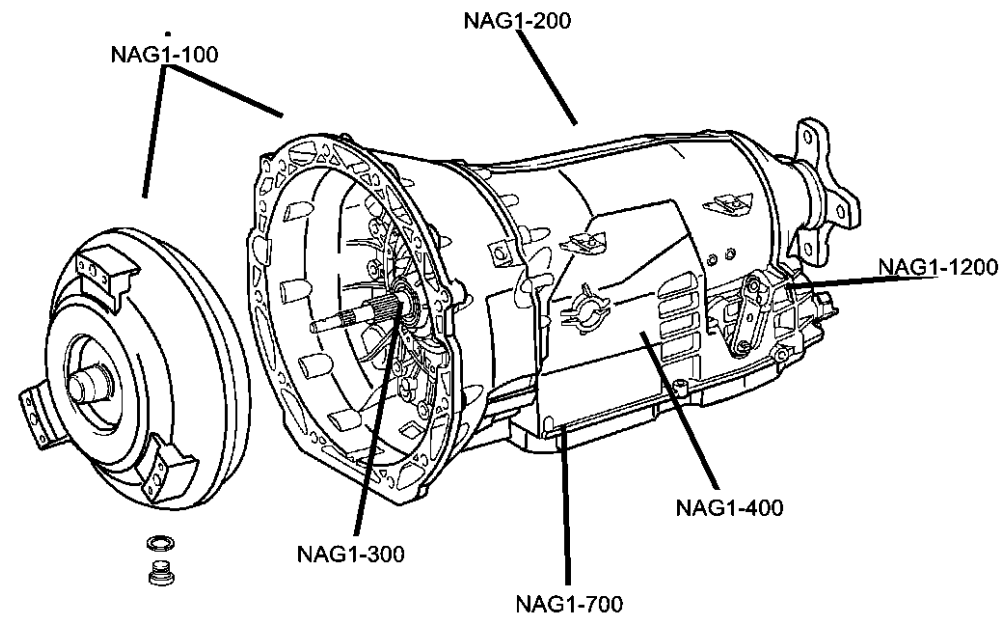
SERIES	LINE	BODY	ENGINE	TRANSMISSION
L = LOWLINE	3 = HD DODGE 2WD 8 = HD DODGE 4WD 6 = Lt. Duty DODGE 4WD 2 = Med. Duty DODGE 2WD 7 = Med. Duty DODGE 4WD 4 = TRUCK	01 = CHASSIS FORWARD CONTROL W.B.1 02 = CAB CHASSIS WHEEL BASE 2 06 = CAB CHASSIS WHEEL BASE 6 11 = VAN WHEEL BASE 1 12 = VAN WHEEL BASE 2 51 = WAGON WHEEL BASE 1 52 = WAGON WHEEL BASE 2 14 = VAN WHEEL BASE 4 15 = VAN WHEEL BASE 5 54 = WAGON WHEEL BASE 4 55 = WAGON WHEEL BASE 5 56 = WAGON WHEEL BASE 6 16 = VAN WHEEL BASE 6	EX8 = 2.7L I5 Turbo Diesel Engine EX9 = 2.7L I5 Mercedes-Benz TD Engine	DGJ = 5-Speed Automatic MB Transmission DGZ = 4-Spd. Automatic MT643 Transmission

AR = use ase required - = Non illustrated part

2006 VA

Group - NAG1

Automatic Transmission 5 Speed [DGZ]



Group - NAG1 Automatic Transmission 5 Speed [DGZ]

Illustration Title

Group-Fig. No.

Transmission Assembly

Automatic Transmission Fig. NAG1 - 110

Case and Extension

Case & Related Parts Fig. NAG1 - 210

Oil Pump

Housing, Converter & Pump, Oil Fig. NAG1 - 310

Gear Train

Laminated Brake & Front Support - [B1] Fig. NAG1 - 410

Gear Train, Front Planetary Clutch - [K-1] Fig. NAG1 - 420

Carrier, Planetary - [K1] - [VPLS] Fig. NAG1 - 430

Clutch - Output Shaft - [K2] Fig. NAG1 - 440

Center & Rear Planetary Set - Output Shaft - [MPLS/HPLS] Fig. NAG1 - 450

Clutch - [K3] Fig. NAG1 - 460

Multiple Disc Brake - [B2 & B3] Fig. NAG1 - 470

Multiple Disc Brake - [B2 & B3] Fig. NAG1 - 480

Multiple Disc Brake - [B2 & B3] Fig. NAG1 - 490

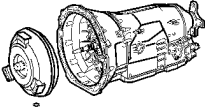
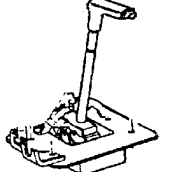
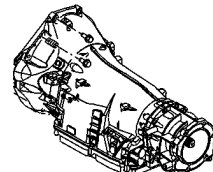
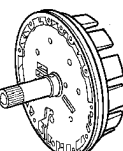
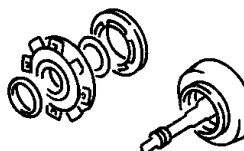
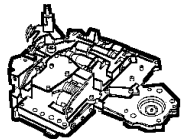
Valve Body

Electronic - Hydraulic Control Fig. NAG1 - 710

Oil Pan & Gasket Fig. NAG1 - 720

Gearshift Controls

Gear Shift Control Fig. NAG1 - 1210

<p>NAG1-100 Transmission Assembly</p> 	<p>NAG1-1200 Gearshift Controls</p> 	<p>NAG1-200 Case and Extension</p> 	<p>NAG1-300 Oil Pump</p> 
<p>NAG1-400 Gear Train</p> 	<p>NAG1-700 Valve Body</p> 		

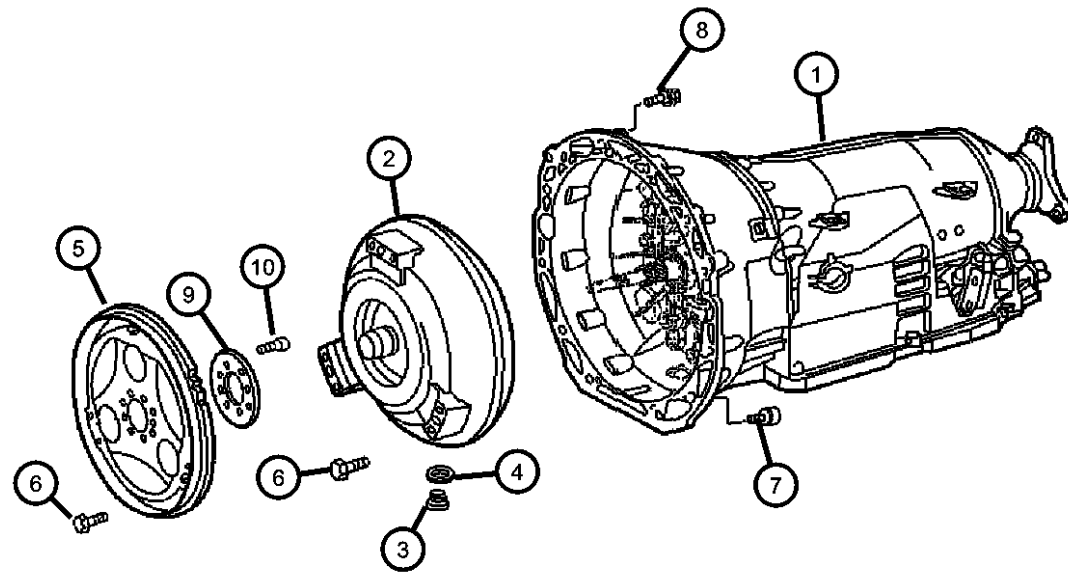
**Automatic Transmission
Figure NAG1-110**

ITEM	PART NUMBER	QTY	LINE	SERIES	BODY	ENGINE	TRANS	TRIM	DESCRIPTION
------	-------------	-----	------	--------	------	--------	-------	------	-------------

NOTE: Transmission Assembly Does Not Include Torque Converter. Torque Converter Serviced Separately.

Sales Codes:

[DGZ]=5 Speed Automatic Transmission - [NAG1] - [W5A380]



1									TRANSMISSION, Automatic
	05117838AA	1	2, 6	L		EX8	DGZ		
		1	3, 7	L		EX8	DGZ		
2	05104567AA	1	2, 3, 6, 7	L		EX8	DGZ		CONVERTER, Torque
3	05080398AA	1	2, 3, 6, 7	L		EX8	DGZ		PLUG
4	05080014AA	1	2, 3, 6, 7	L		EX8	DGZ		O RING
5	05137274AA	1		L		EX8			FLEX PLATE
6									SCREW
	06507095AA	6	2, 6	L		EX8	DGZ		
		6	3, 7	L		EX8	DGZ		
7									SCREW
	06104047AA	2	2, 6	L		EX8	DGZ		
		2	3, 7	L		EX8	DGZ		
8									BOLT, Hex Flange Head, M10x40
	06104218AA	6	2, 6	L		EX8	DGZ		
		6	3, 7	L		EX8	DGZ		
9	05080066AA	1				EX8	DGZ		WASHER
10									BOLT, Hex Flange Head, M10x40
	06104218AA	6	2, 6	L		EX8	DGZ		
		6	3, 7	L		EX8	DGZ		

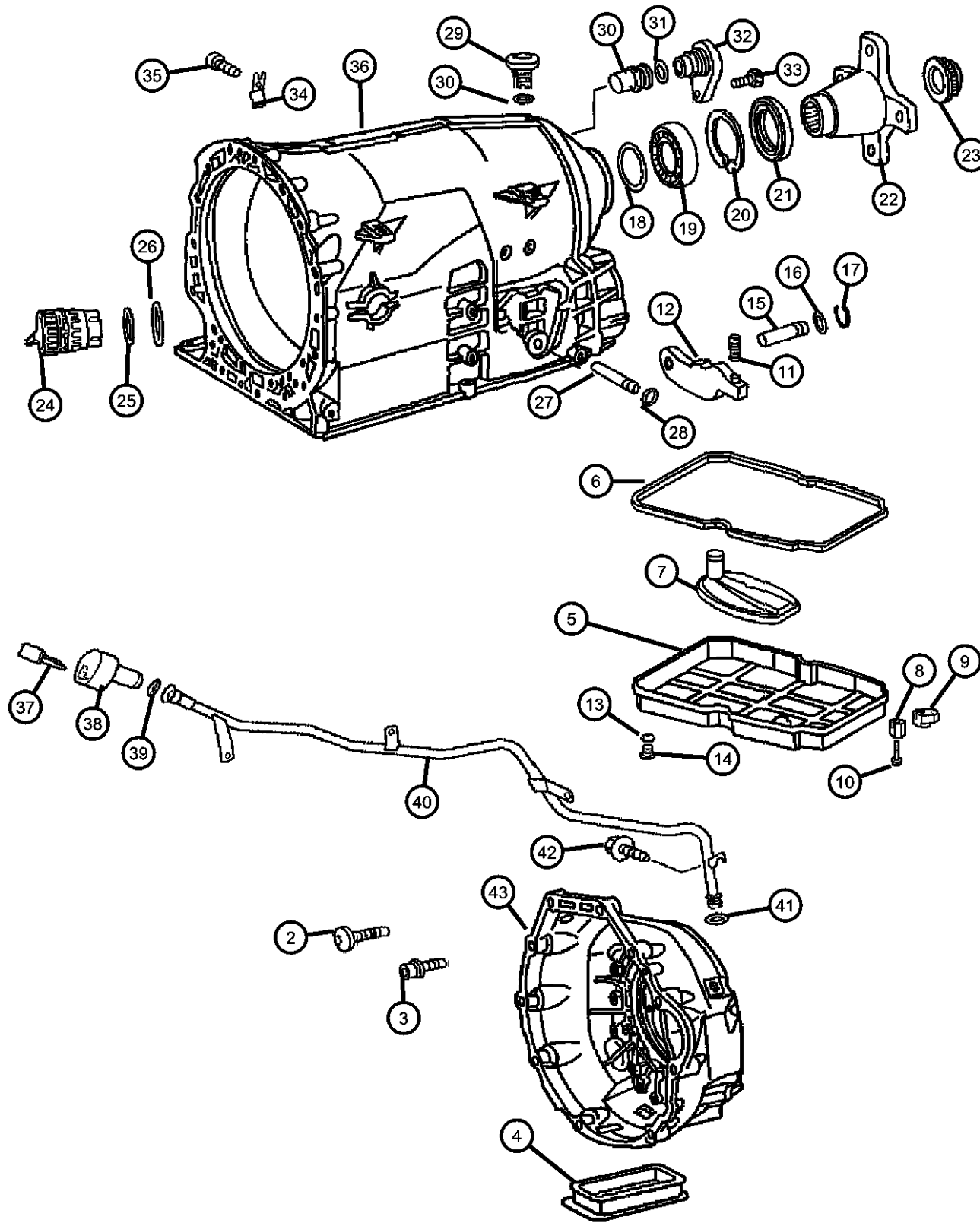
SPRINTER (VA)

SERIES	LINE	BODY	ENGINE	TRANSMISSION
L = LOWLINE	3 = HD DODGE 2WD 8 = HD DODGE 4WD 6 = Lt. Duty DODGE 4WD 2 = Med. Duty DODGE 2WD 7 = Med. Duty DODGE 4WD 4 = TRUCK	01 = CHASSIS FORWARD CONTROL W.B.1 02 = CAB CHASSIS WHEEL BASE 2 06 = CAB CHASSIS WHEEL BASE 6 11 = VAN WHEEL BASE 1 12 = VAN WHEEL BASE 2 51 = WAGON WHEEL BASE 1 52 = WAGON WHEEL BASE 2 14 = VAN WHEEL BASE 4 15 = VAN WHEEL BASE 5 54 = WAGON WHEEL BASE 4 55 = WAGON WHEEL BASE 5 56 = WAGON WHEEL BASE 6 16 = VAN WHEEL BASE 6	EX8 = 2.7L I5 Turbo Diesel Engine EX9 = 2.7L I5 Mercedes-Benz TD Engine	DGJ = 5-Speed Automatic MB Transmission DGZ = 4-Spd. Automatic MT643 Transmission

AR = use ase required - = Non illustrated part

2006 VA

Case & Related Parts
Figure NAG1-210



ITEM	PART NUMBER	QTY	LINE	SERIES	BODY	ENGINE	TRANS	TRIM	DESCRIPTION
------	-------------	-----	------	--------	------	--------	-------	------	-------------

NOTE:

Sales Codes:

[DGZ]=5 Speed Automatic Transmission - [NAG1] - [W5A380]

-1									GASKET PACKAGE, Transmission
	05080067AA	1	2, 6	L		EX8	DGZ		
		1	3, 7	L		EX8	DGZ		
2	52108396AA	1	2, 3, 6, 7	L		EX8	DGZ		SCREW
3	52107934AA	1	2, 3, 6, 7	L		EX8	DGZ		SCREW
4	05073886AA	2	2, 3, 6, 7	L		EX8	DGZ		GASKET
5	52108326AA	1	2, 3, 6, 7	L		EX8	DGZ		PAN, Transmission Oil
6	52108332AA	1	2, 3, 6, 7	L		EX8	DGZ		GASKET
7	52108325AA	1	2, 3, 6, 7	L		EX8	DGZ		FILTER, Transmission Oil
8	52108334AA	5	2, 3, 6, 7	L		EX8	DGZ		NUT
9	05080289AA	1	2, 3, 6, 7	L		EX8	DGZ		NUT
10	52108270AA	6	2, 3, 6, 7	L		EX8	DGZ		SCREW
11	52108154AA	1	2, 3, 6, 7	L		EX8	DGZ		PAWL, Parking Sprag
12	52108157AA	1	2, 3, 6, 7	L		EX8	DGZ		SPRING
13	52108330AA	1	2, 3, 6, 7	L		EX8	DGZ		SEAL, Transmission
14	52108331AB	1	2, 3, 6, 7	L		EX8	DGZ		MAGNET
15	52108155AA	1	2, 3, 6, 7	L		EX8	DGZ		PIN
16	52108160AA	1		L			DGZ		SEAL, Transmission
17	52107975AA	1	2, 3, 6, 7	L		EX8	DGZ		SNAP RING
18									SPACER
	52108220AA	1	2, 3, 6, 7	L		EX8	DGZ		[0.3 MM]
	52108230AA	1	2, 3, 6, 7	L		EX8	DGZ		[0.2 MM]
	52108231AA	1	2, 3, 6, 7	L		EX8	DGZ		[0.4 MM]
	52108232AA	1	2, 3, 6, 7	L		EX8	DGZ		[0.5 MM]
19	52108207AA	1	2, 3, 6, 7	L		EX8	DGZ		BEARING, Ball

SPRINTER (VA)

SERIES

L = LOWLINE

LINE

3 = HD DODGE 2WD
8 = HD DODGE 4WD
6 = Lt. Duty DODGE 4WD
2 = Med. Duty DODGE 2WD
7 = Med. Duty DODGE 4WD
4 = TRUCK

BODY

01 = CHASSIS FORWARD CONTROL W.B.1
02 = CAB CHASSIS WHEEL BASE 2
06 = CAB CHASSIS WHEEL BASE 6
11 = VAN WHEEL BASE 1
12 = VAN WHEEL BASE 2
51 = WAGON WHEEL BASE 1
52 = WAGON WHEEL BASE 2
14 = VAN WHEEL BASE 4
15 = VAN WHEEL BASE 5
54 = WAGON WHEEL BASE 4
55 = WAGON WHEEL BASE 5
56 = WAGON WHEEL BASE 6
16 = VAN WHEEL BASE 6

ENGINE

EX8 = 2.7L I5 Turbo Diesel Engine
EX9 = 2.7L I5 Mercedes-Benz TD Engine

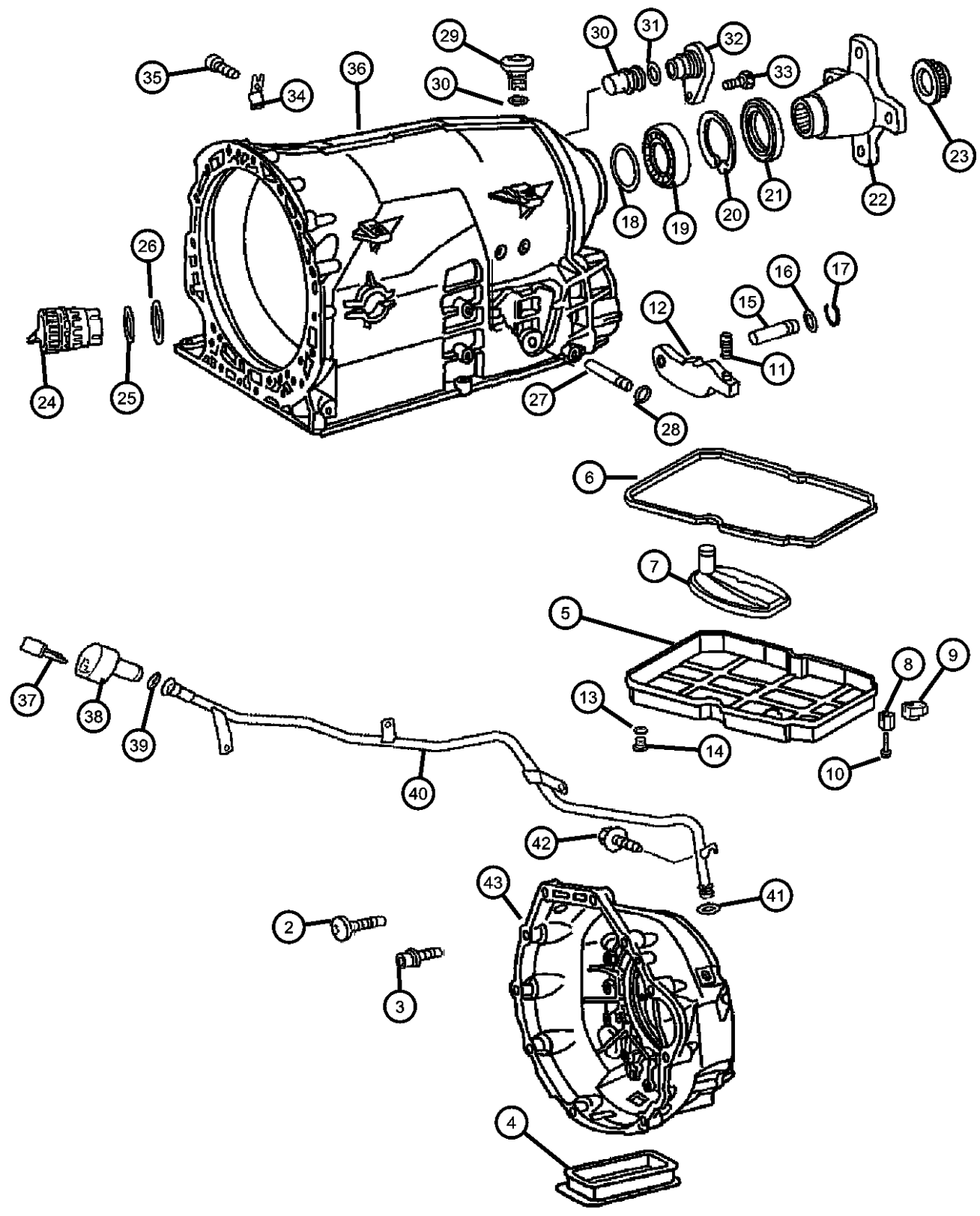
TRANSMISSION

DGJ = 5-Speed Automatic MB Transmission
DGZ = 4-Spd. Automatic MT643 Transmission

AR = use ase required - = Non illustrated part

2006 VA

Case & Related Parts
Figure NAG1-210



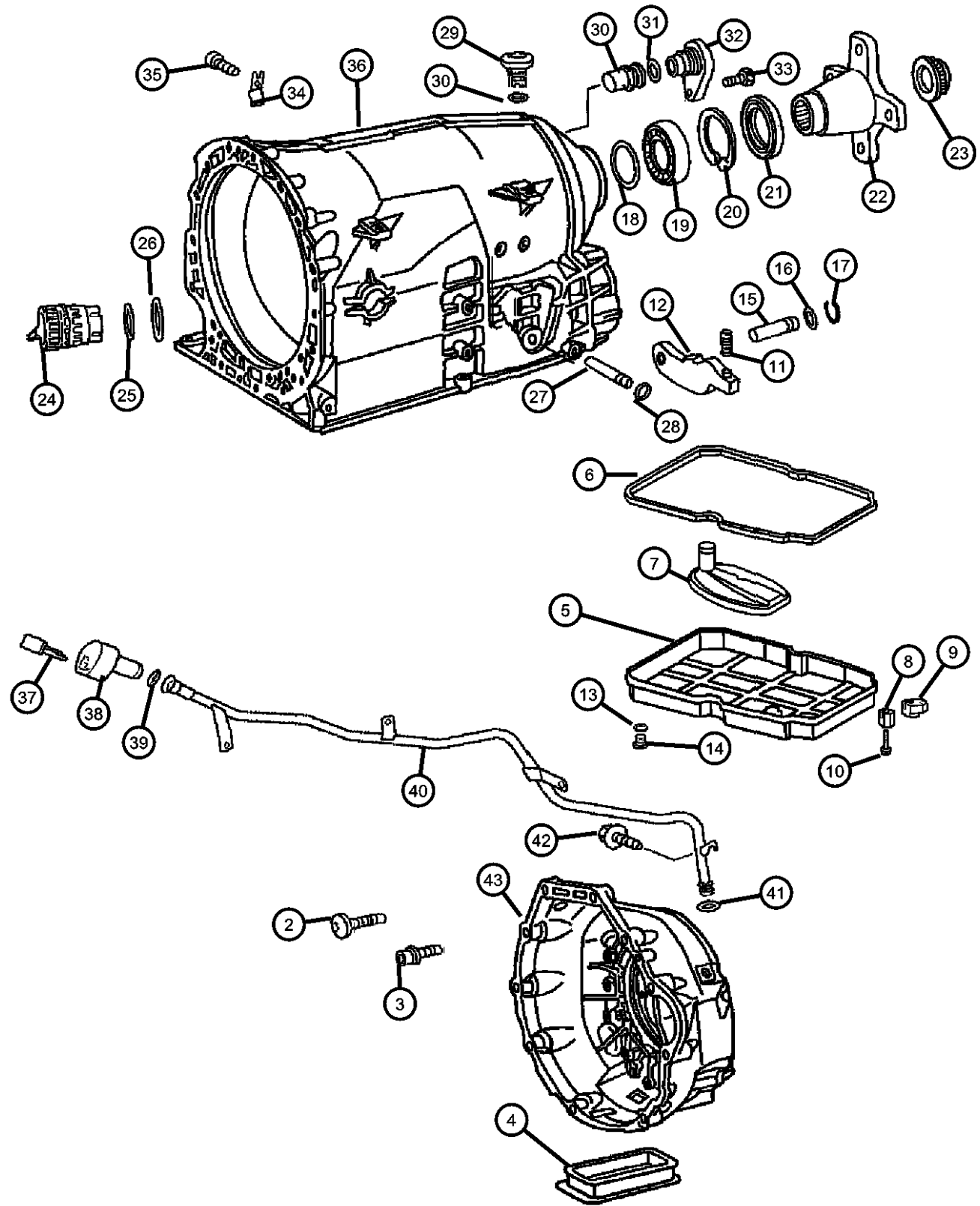
ITEM	PART NUMBER	QTY	LINE	SERIES	BODY	ENGINE	TRANS	TRIM	DESCRIPTION
20	52108210AA	1	2, 3, 6, 7	L		EX8	DGZ		LOCK, Mounting
21	52108428AA	1	2, 3, 6, 7	L		EX8	DGZ		SEAL, Transmission
22	05117859AA	1	2, 3, 6, 7	L		EX8	DGZ		FLANGE, Drive Shaft
23									NUT
	52108234AA	1	2, 3, 6, 7	L		EX8	DGZ		
	52108334AA	5	2, 3, 6, 7	L		EX8	DGZ		
24	05166827AA	1	2, 3, 6, 7	L		EX8	DGZ		PLUG, Adapter
25	52108324AA	1	2, 3, 6, 7	L		EX8	DGZ		O RING, Adapter Plug
26	52108323AA	1	2, 3, 6, 7	L		EX8	DGZ		O RING, Adapter Plug
27	52108159AA	1		L			DGZ		PIN
28	52108323AA	1	2, 3, 6, 7	L		EX8	DGZ		O RING, Adapter Plug
29	52108364AA	1	2, 3, 6, 7	L		EX8	DGZ		BREATHER, Transmission
30	52108367AA	1	2, 3, 6, 7	L		EX8	DGZ		SEAL, Transmission
31									O RING, Sensor
	05125908AA	2	2, 6	L		EX8	DGZ		
		2	3, 7	L		EX8	DGZ		
32	05117839AA	1	2, 3, 6, 7	L		EX8	DGZ		CAP, Oil Filler
33	05117839AA	1		L					BOLT, (NOT SERVICED)
34	52108179AA	1	2, 3, 6, 7	L		EX8	DGZ		SPRING
35	52108161AA	1	2, 3, 6, 7	L		EX8	DGZ		SCREW
36	05117849AA	1	2, 3, 6, 7	L		EX8	DGZ		HOUSING, Transmission
37									PIN
	05093746AA	1	2, 6	L		EX8	DGZ		
		1	3, 7	L		EX8	DGZ		
38									CAP, Oil Filler
	53013549AA	1	2, 6	L		EX8	DGZ		
		1	3, 7	L		EX8	DGZ		

SPRINTER (VA)

SERIES	LINE	BODY	ENGINE	TRANSMISSION
L = LOWLINE	3 = HD DODGE 2WD 8 = HD DODGE 4WD 6 = Lt. Duty DODGE 4WD 2 = Med. Duty DODGE 2WD 7 = Med. Duty DODGE 4WD 4 = TRUCK	01 = CHASSIS FORWARD CONTROL W.B.1 02 = CAB CHASSIS WHEEL BASE 2 06 = CAB CHASSIS WHEEL BASE 6 11 = VAN WHEEL BASE 1 12 = VAN WHEEL BASE 2 51 = WAGON WHEEL BASE 1 52 = WAGON WHEEL BASE 2 14 = VAN WHEEL BASE 4 15 = VAN WHEEL BASE 5 54 = WAGON WHEEL BASE 4 55 = WAGON WHEEL BASE 5 56 = WAGON WHEEL BASE 6 16 = VAN WHEEL BASE 6	EX8 = 2.7L I5 Turbo Diesel Engine EX9 = 2.7L I5 Mercedes-Benz TD Engine	DGJ = 5-Speed Automatic MB Transmission DGZ = 4-Spd. Automatic MT643 Transmission

AR = use ase required - = Non illustrated part

Case & Related Parts
Figure NAG1-210



ITEM	PART NUMBER	QTY	LINE	SERIES	BODY	ENGINE	TRANS	TRIM	DESCRIPTION
39	05101154AA	1	2, 6	L		EX8	DGZ		SEAL, Oil Filler Tube
		1	3, 7	L		EX8	DGZ		
40	05117847AA	1	2, 6	L		EX8	DGZ		TUBE, Transmission Oil Filler
		1	3, 7	L		EX8	DGZ		
41	05101154AA	1	2, 6	L		EX8	DGZ		SEAL, Oil Filler Tube
		1	3, 7	L		EX8	DGZ		
42	05125738AA	1	2, 6	L		EX8	DGZ		SCREW
		1	3, 7	L		EX8	DGZ		
43	05117848AA	1	2, 3, 6, 7	L		EX8	DGZ		HOUSING, Torque Converter

SPRINTER (VA)

SERIES

L = LOWLINE

LINE

3 = HD DODGE 2WD
8 = HD DODGE 4WD
6 = Lt. Duty DODGE 4WD
2 = Med. Duty DODGE 2WD
7 = Med. Duty DODGE 4WD
4 = TRUCK

BODY

01 = CHASSIS FORWARD CONTROL W.B.1
02 = CAB CHASSIS WHEEL BASE 2
06 = CAB CHASSIS WHEEL BASE 6
11 = VAN WHEEL BASE 1
12 = VAN WHEEL BASE 2
51 = WAGON WHEEL BASE 1
52 = WAGON WHEEL BASE 2
14 = VAN WHEEL BASE 4
15 = VAN WHEEL BASE 5
54 = WAGON WHEEL BASE 4
55 = WAGON WHEEL BASE 5
56 = WAGON WHEEL BASE 6
16 = VAN WHEEL BASE 6

ENGINE

EX8 = 2.7L I5 Turbo Diesel Engine
EX9 = 2.7L I5 Mercedes-Benz TD Engine

TRANSMISSION

DGJ = 5-Speed Automatic MB Transmission
DGZ = 4-Spd. Automatic MT643 Transmission

AR = use ase required - = Non illustrated part

2006 VA

**Housing, Converter & Pump, Oil
Figure NAG1-310**

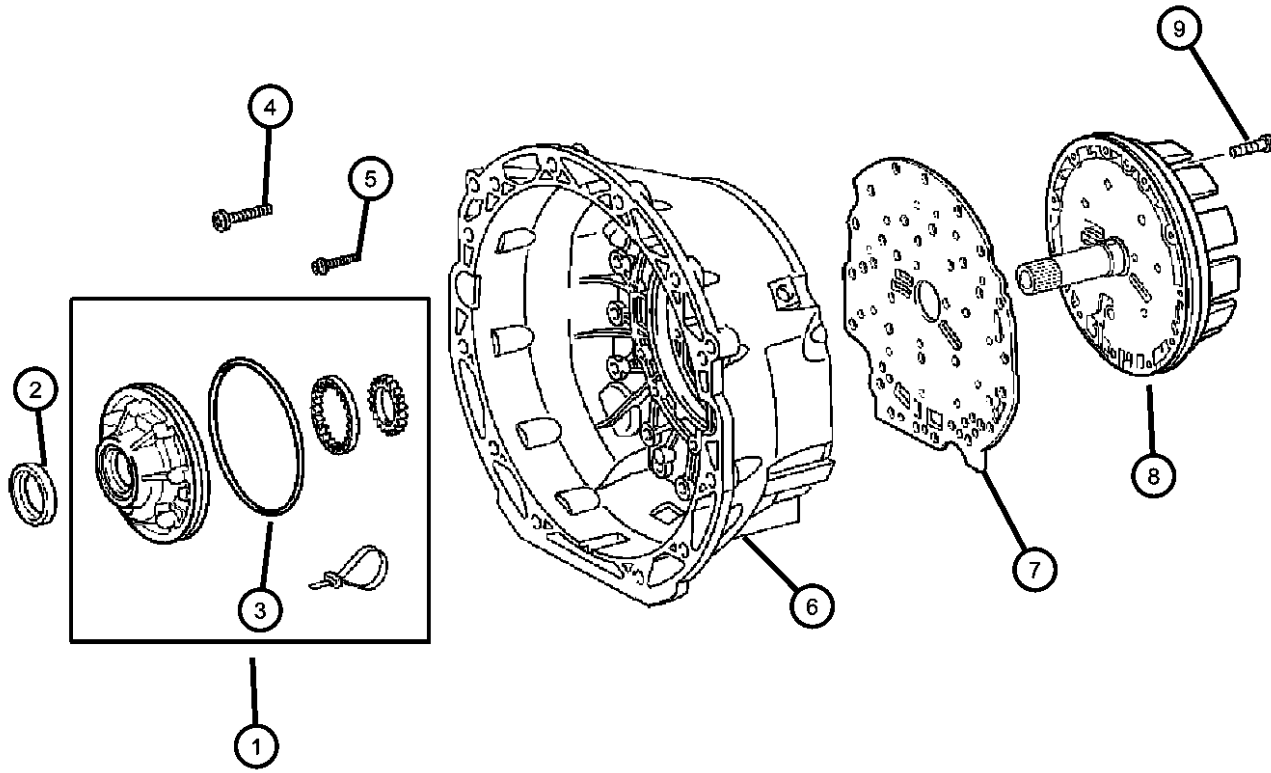
ITEM	PART NUMBER	QTY	LINE	SERIES	BODY	ENGINE	TRANS	TRIM	DESCRIPTION
------	-------------	-----	------	--------	------	--------	-------	------	-------------

NOTE:

Sales Codes:

[DGZ]=5 Speed Automatic Transmission - [NAG1] - [W5A380]

1	05080070AA	1	2, 3, 6, 7	L		EX8	DGZ		PUMP, Transmission Oil
2									SEAL
	52107896AA	1	2, 3, 6, 7	L		EX8	DGZ		Optional With [52107897AA, 52107898AA, 52108424AA]
	52107897AA	1	2, 3, 6, 7	L		EX8	DGZ		Optional With [52107896AA, 52107898AA, 52108424AA]
	52107898AA	1	2, 3, 6, 7	L		EX8	DGZ		Optional With [52107896AA, 52107897AA, 52108424AA]
	52108424AA	1	2, 3, 6, 7	L		EX8	DGZ		Optional With [52107896AA, 52107897AA, 52107898AA]
3	52107900AA	1	2, 3, 6, 7	L		EX8	DGZ		O RING
4	52108396AA	1	2, 3, 6, 7	L		EX8	DGZ		SCREW, Bell Housing To Transmission Case
5	52107934AA	1	2, 3, 6, 7	L		EX8	DGZ		SCREW, Bell Housing To Disc Support
6	05117848AA	1	2, 3, 6, 7	L		EX8	DGZ		HOUSING, Torque Converter
7	52108147AA	1	2, 3, 6, 7	L		EX8	DGZ		PLATE, Intermediate
8	52108539AC	1	2, 3, 6, 7	L		EX8	DGZ		RETAINER, Clutch
9	52107933AA	1	2, 3, 6, 7	L		EX8	DGZ		SCREW, Oil Pump To Bell Housing - From Inside Transmission Case 2,3,6,7, C,U L EX8 DGJ AA



SPRINTER (VA)

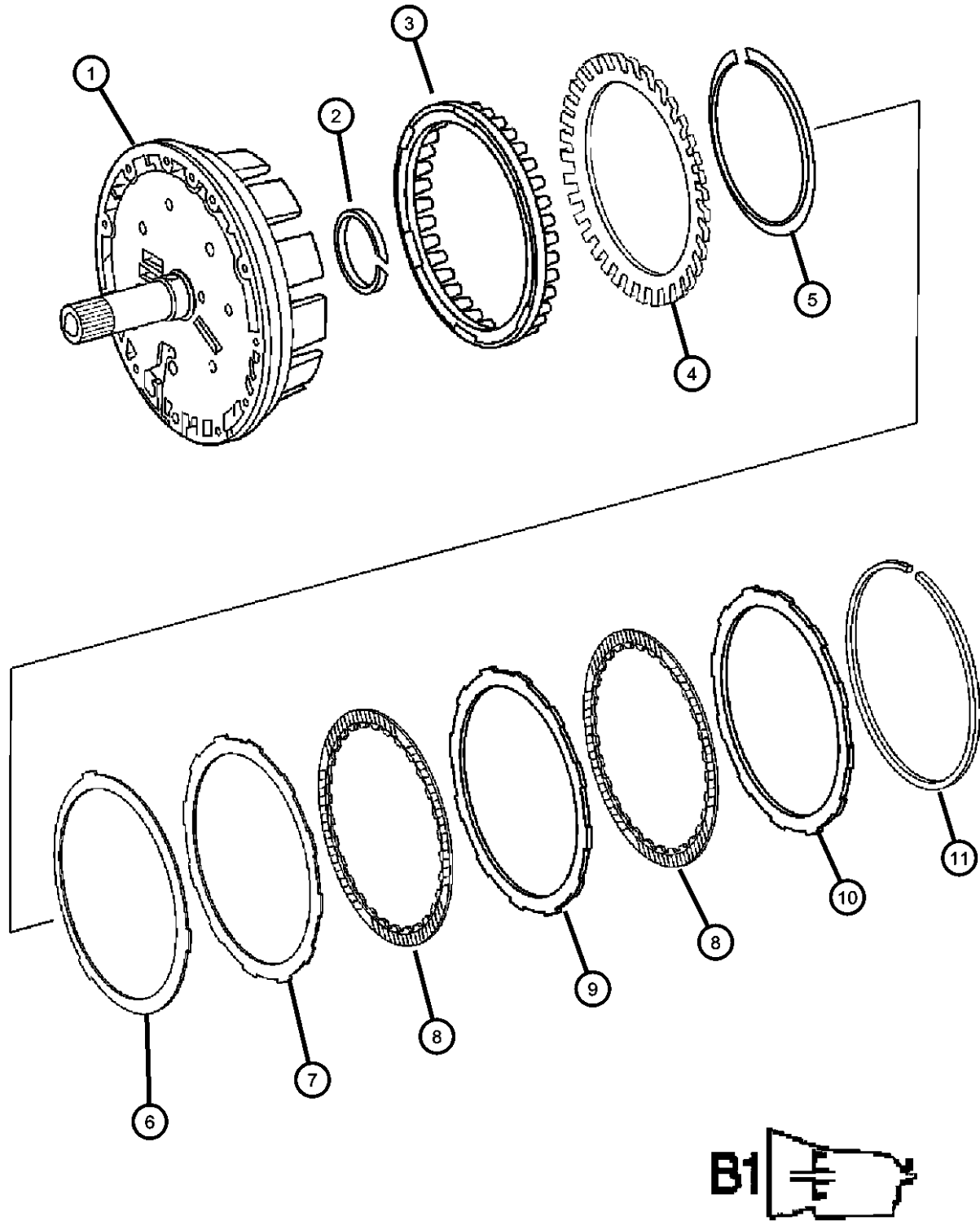
SERIES	LINE	BODY	ENGINE	TRANSMISSION
L = LOWLINE	3 = HD DODGE 2WD 8 = HD DODGE 4WD 6 = Lt. Duty DODGE 4WD 2 = Med. Duty DODGE 2WD 7 = Med. Duty DODGE 4WD 4 = TRUCK	01 = CHASSIS FORWARD CONTROL W.B.1 02 = CAB CHASSIS WHEEL BASE 2 06 = CAB CHASSIS WHEEL BASE 6 11 = VAN WHEEL BASE 1 12 = VAN WHEEL BASE 2 51 = WAGON WHEEL BASE 1 52 = WAGON WHEEL BASE 2 14 = VAN WHEEL BASE 4 15 = VAN WHEEL BASE 5 54 = WAGON WHEEL BASE 4 55 = WAGON WHEEL BASE 5 56 = WAGON WHEEL BASE 6 16 = VAN WHEEL BASE 6	EX8 = 2.7L I5 Turbo Diesel Engine EX9 = 2.7L I5 Mercedes-Benz TD Engine	DGJ = 5-Speed Automatic MB Transmission DGZ = 4-Spd. Automatic MT643 Transmission



AR = use ase required - = Non illustrated part

2006 VA

Laminated Brake & Front Support - [B1]
Figure NAG1-410



ITEM	PART NUMBER	QTY	LINE	SERIES	BODY	ENGINE	TRANS	TRIM	DESCRIPTION
------	-------------	-----	------	--------	------	--------	-------	------	-------------

NOTE:

Sales Codes:

[DGZ]=5 Speed Automatic Transmission - [NAG1] - [W5A380]

1	52108539AC	1	2, 3, 6, 7	L		EX8	DGZ		RETAINER, Clutch
2	52108028AA	1	2, 3, 6, 7	L		EX8	DGZ		SEAL, Transmission
3	52108506AA	1	2, 3, 6, 7	L		EX8	DGZ		PISTON
4	52108023AA	1	2, 3, 6, 7	L		EX8	DGZ		DISC, Spring
5	52107936AA	1	2, 3, 6, 7	L		EX8	DGZ		SNAP RING
6	52108024AA	1	2, 3, 6, 7	L		EX8	DGZ		DISC, Spring
7	52107992AA	1		L					DISC, Outer, [1.8 MM]
8	52108507AA	4	2, 3, 6, 7	L		EX8	DGZ		DISC, Inner
9	52108508AA	4	2, 3, 6, 7	L		EX8	DGZ		DISC, Outer
10	52107994AA	1	2, 3, 6, 7	L		EX8	DGZ		DISC, Outer, [4.0 MM]
11									SNAP RING
	52107949AA	1	2, 3, 6, 7	L		EX8	DGZ		[2.6 MM]
	52107950AA	1	2, 3, 6, 7	L		EX8	DGZ		[2.9 MM]
	52107951AA	1	2, 3, 6, 7	L		EX8	DGZ		[3.2 MM]
	52107952AA	1	2, 3, 6, 7	L		EX8	DGZ		[3.5 MM]

SPRINTER (VA)

SERIES

L = LOWLINE

LINE

3 = HD DODGE 2WD
8 = HD DODGE 4WD
6 = Lt. Duty DODGE 4WD
2 = Med. Duty DODGE 2WD
7 = Med. Duty DODGE 4WD
4 = TRUCK

BODY

01 = CHASSIS FORWARD CONTROL W.B.1
02 = CAB CHASSIS WHEEL BASE 2
06 = CAB CHASSIS WHEEL BASE 6
11 = VAN WHEEL BASE 1
12 = VAN WHEEL BASE 2
51 = WAGON WHEEL BASE 1
52 = WAGON WHEEL BASE 2
14 = VAN WHEEL BASE 4
15 = VAN WHEEL BASE 5
54 = WAGON WHEEL BASE 4
55 = WAGON WHEEL BASE 5
56 = WAGON WHEEL BASE 6
16 = VAN WHEEL BASE 6

ENGINE

EX8 = 2.7L I5 Turbo Diesel Engine
EX9 = 2.7L I5 Mercedes-Benz TD Engine

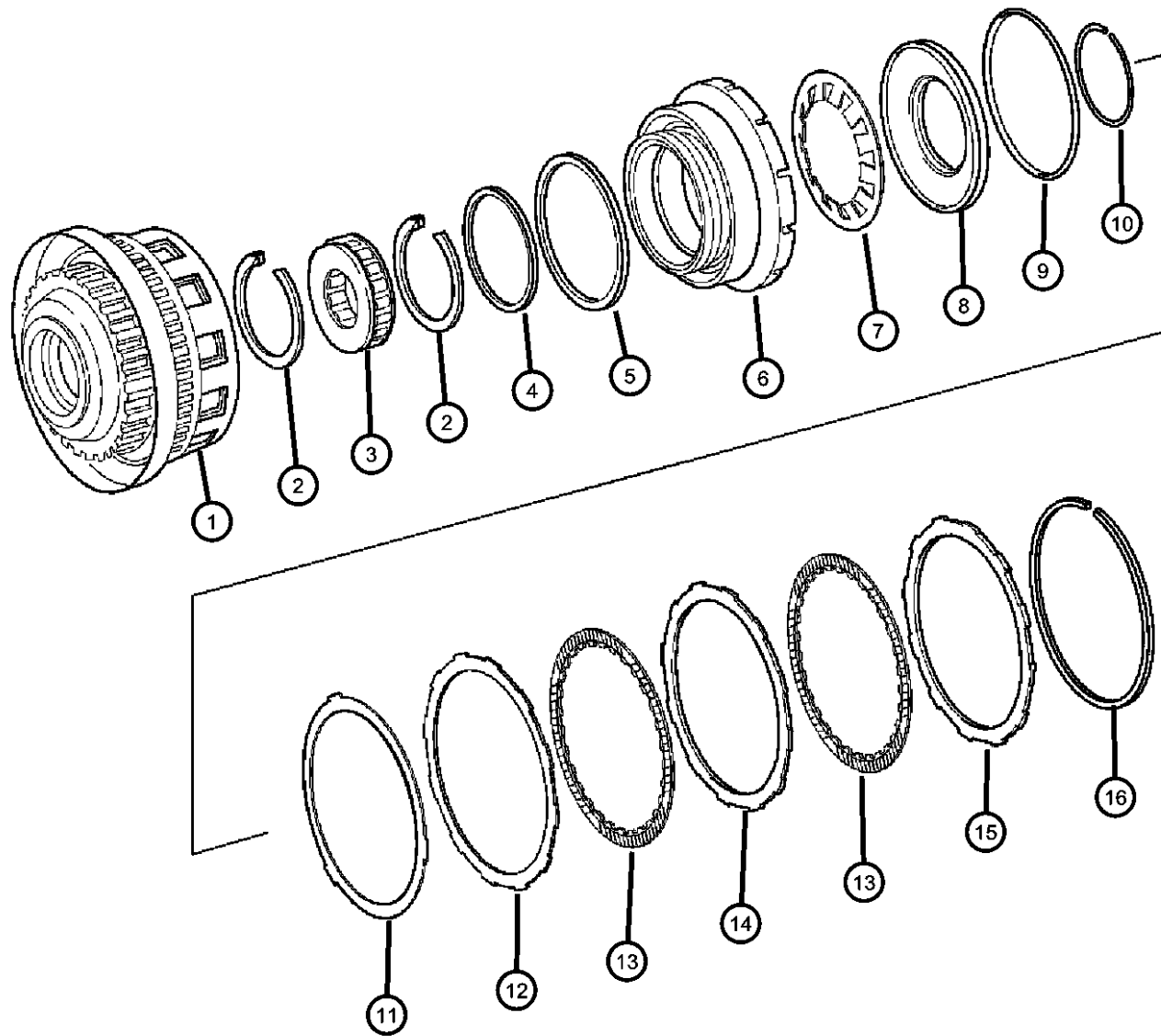
TRANSMISSION

DGJ = 5-Speed Automatic MB Transmission
DGZ = 4-Spd. Automatic MT643 Transmission

AR = use ase required - = Non illustrated part

2006 VA

**Gear Train, Front Planetary Clutch - [K-1]
Figure NAG1-420**



ITEM	PART NUMBER	QTY	LINE	SERIES	BODY	ENGINE	TRANS	TRIM	DESCRIPTION
NOTE: Sales Codes: [DGZ]=5 Speed Automatic Transmission - [NAG1] - [W5A380]									
1	52108510AA	1	2, 3, 6, 7	L		EX8	DGZ		DISC, Support
2	52107955AA	2	2, 3, 6, 7	L		EX8	DGZ		SNAP RING
3	52108342AA	1	2, 3, 6, 7	L		EX8	DGZ		WHEEL
4	52107938AA	1	2, 3, 6, 7	L		EX8	DGZ		SEAL, Transmission
5	52107939AA	1	2, 3, 6, 7	L		EX8	DGZ		SEAL, Transmission
6	52108059AA	1	2, 6	L		EX8	DGZ		PISTON
		1	3, 7	L		EX8	DGZ		
7	52108057AA	1	2, 3, 6, 7	L		EX8	DGZ		DISC, Spring
8	52108058AA	1	2, 3, 6, 7	L		EX8	DGZ		SPRING, Retainer
9	52107941AA	1	2, 3, 6, 7	L		EX8	DGZ		SEAL, Transmission
10	52107954AA	1	2, 3, 6, 7	L		EX8	DGZ		SNAP RING
11	52108024AA	1	2, 3, 6, 7	L		EX8	DGZ		DISC, Spring
12	52107992AA	1		L					DISC, Outer, [1.8 MM]
13	52108507AA	4	2, 3, 6, 7	L		EX8	DGZ		DISC, Inner
14	52108508AA	4	2, 3, 6, 7	L		EX8	DGZ		DISC, Outer, [2.07 MM]
15	52107994AA	1	2, 3, 6, 7	L		EX8	DGZ		DISC, Outer, [4.0 MM]
16	52107949AA	1	2, 3, 6, 7	L		EX8	DGZ		SNAP RING [2.6 MM]
	52107950AA	1	2, 3, 6, 7	L		EX8	DGZ		[2.9 MM]
	52107951AA	1	2, 3, 6, 7	L		EX8	DGZ		[3.2 MM]
	52107952AA	1	2, 3, 6, 7	L		EX8	DGZ		[3.5 MM]
	52108373AA	1	2, 3, 6, 7	L		EX8	DGZ		[3.8 MM]



SPRINTER (VA)

SERIES	LINE	BODY	ENGINE	TRANSMISSION
L = LOWLINE	3 = HD DODGE 2WD 8 = HD DODGE 4WD 6 = Lt. Duty DODGE 4WD 2 = Med. Duty DODGE 2WD 7 = Med. Duty DODGE 4WD 4 = TRUCK	01 = CHASSIS FORWARD CONTROL W.B.1 02 = CAB CHASSIS WHEEL BASE 2 06 = CAB CHASSIS WHEEL BASE 6 11 = VAN WHEEL BASE 1 12 = VAN WHEEL BASE 2 51 = WAGON WHEEL BASE 1 52 = WAGON WHEEL BASE 2 14 = VAN WHEEL BASE 4 15 = VAN WHEEL BASE 5 54 = WAGON WHEEL BASE 4 55 = WAGON WHEEL BASE 5 56 = WAGON WHEEL BASE 6 16 = VAN WHEEL BASE 6	EX8 = 2.7L I5 Turbo Diesel Engine EX9 = 2.7L I5 Mercedes-Benz TD Engine	DGJ = 5-Speed Automatic MB Transmission DGZ = 4-Spd. Automatic MT643 Transmission

AR = use ase required - = Non illustrated part

**Carrier, Planetary - [K1] - [VPLS]
Figure NAG1-430**

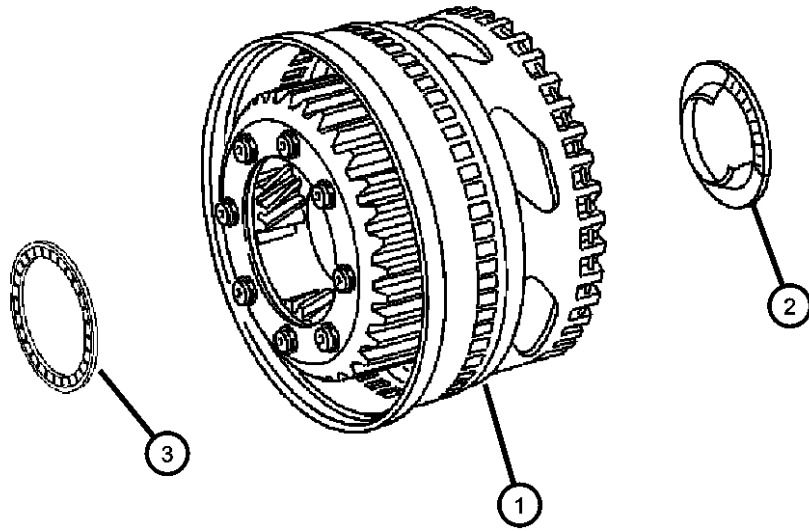
ITEM	PART NUMBER	QTY	LINE	SERIES	BODY	ENGINE	TRANS	TRIM	DESCRIPTION
------	-------------	-----	------	--------	------	--------	-------	------	-------------

NOTE:

Sales Codes:

[DGZ]=5 Speed Automatic Transmission -[NAG1] - [W5A380]

1	52108513AA	1	2, 3, 6, 7	L		EX8	DGZ		CARRIER, Planetary
2	52108123AA	1	2, 3, 6, 7	L		EX8	DGZ		NEEDLE BEARING
3	52108122AA	1	2, 3, 6, 7	L		EX8	DGZ		NEEDLE BEARING



SPRINTER (VA)

SERIES

L = LOWLINE

LINE

3 = HD DODGE 2WD
8 = HD DODGE 4WD
6 = Lt. Duty DODGE 4WD
2 = Med. Duty DODGE 2WD
7 = Med. Duty DODGE 4WD
4 = TRUCK

BODY

01 = CHASSIS FORWARD CONTROL W.B.1
02 = CAB CHASSIS WHEEL BASE 2
06 = CAB CHASSIS WHEEL BASE 6
11 = VAN WHEEL BASE 1
12 = VAN WHEEL BASE 2
51 = WAGON WHEEL BASE 1
52 = WAGON WHEEL BASE 2
14 = VAN WHEEL BASE 4
15 = VAN WHEEL BASE 5
54 = WAGON WHEEL BASE 4
55 = WAGON WHEEL BASE 5
56 = WAGON WHEEL BASE 6
16 = VAN WHEEL BASE 6

ENGINE

EX8 = 2.7L I5 Turbo Diesel Engine
EX9 = 2.7L I5 Mercedes-Benz TD Engine

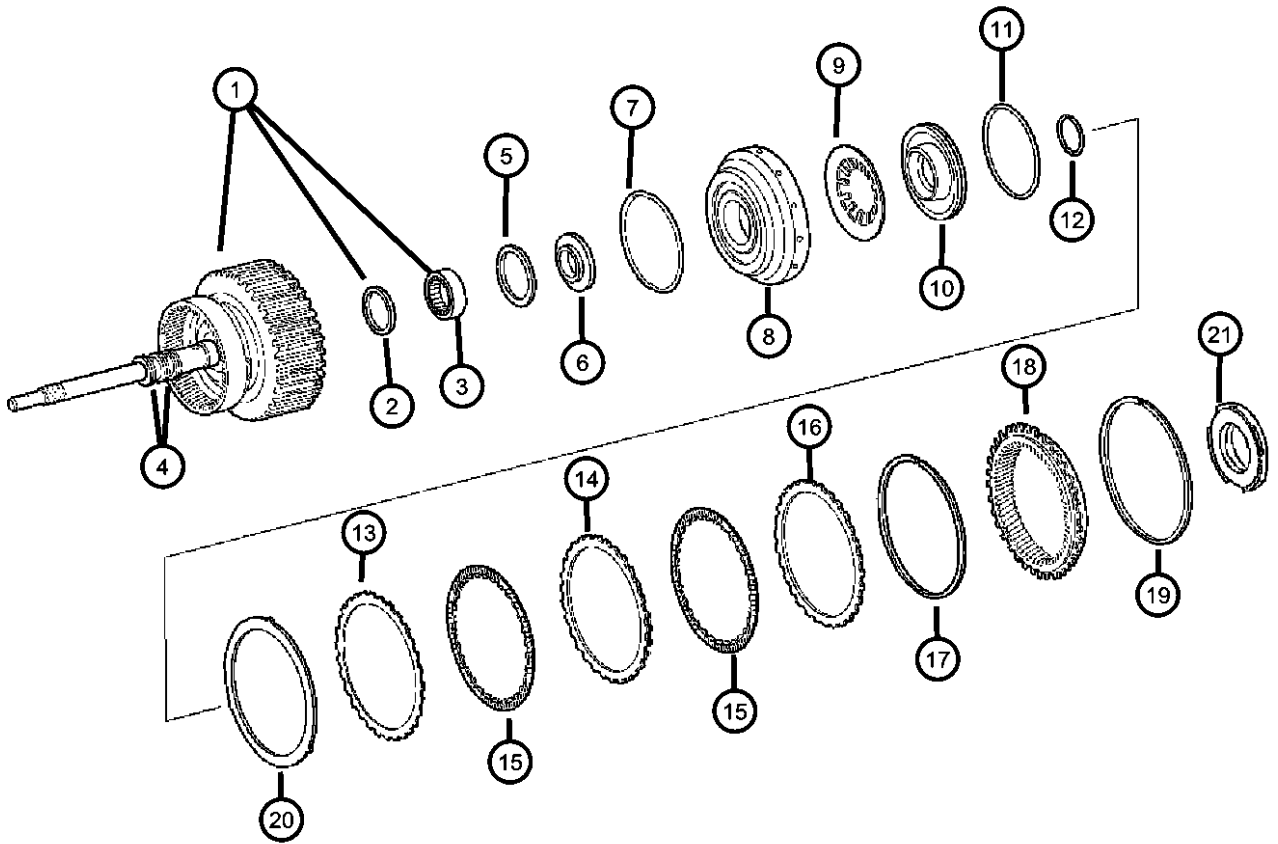
TRANSMISSION

DGJ = 5-Speed Automatic MB Transmission
DGZ = 4-Spd. Automatic MT643 Transmission

AR = use ase required - = Non illustrated part

2006 VA

**Clutch - Output Shaft - [K2]
Figure NAG1-440**



ITEM	PART NUMBER	QTY	LINE	SERIES	BODY	ENGINE	TRANS	TRIM	DESCRIPTION
NOTE: Sales Codes: [DGZ]=5 Speed Automatic Transmission - [NAG1] - [W5A380]									
1	52108044AA	1	2, 3, 6, 7	L		EX8	DGZ		SHAFT, Input
2	52108127AA	1	2, 3, 6, 7	L		EX8	DGZ		SEAL, Transmission
3	52108126AA	1	2, 3, 6, 7	L		EX8	DGZ		NEEDLE BEARING
4	52108534AA	1	2, 3, 6, 7	L		EX8	DGZ		SEAL, Transmission
5	52108134AA	1	2, 3, 6, 7	L		EX8	DGZ		SEAL, Transmission
6	52108070AA	1	2, 3, 6, 7	L		EX8	DGZ		PLATE
7	52108135AA	1	2, 3, 6, 7	L		EX8	DGZ		SEAL, Input Shaft
8	52108517AA	1	2, 3, 6, 7	L		EX8	DGZ		PISTON
9	52108137AA	1	2, 3, 6, 7	L		EX8	DGZ		DISC, Spring
10	52108138AB	1	2, 3, 6, 7	L		EX8	DGZ		SPRING, Retainer
11	52108140AA	1	2, 3, 6, 7	L		EX8	DGZ		SEAL, Transmission
12	52107970AA	1	2, 3, 6, 7	L		EX8	DGZ		SNAP RING
13	52107996AA	1	2, 3, 6, 7	L		EX8	DGZ		DISC, Outer, [1.8 MM]
14	52107997AA	4	2, 3, 6, 7	L		EX8	DGZ		DISC, Outer, [3.5 MM]
15	52108141AB	5	2, 3, 6, 7	L		EX8	DGZ		DISC, Inner
16	52107998AA	1	2, 3, 6, 7	L		EX8	DGZ		DISC, Outer
17									SNAP RING
	52107958AA	1	2, 3, 6, 7	L		EX8	DGZ		[2.3 MM]
	52107959AA	1	2, 3, 6, 7	L		EX8	DGZ		[2.6 MM]
	52107960AA	1	2, 3, 6, 7	L		EX8	DGZ		[2.9 MM]
	52107961AA	1	2, 3, 6, 7	L		EX8	DGZ		[3.2 MM]
18	52107922AA	1	2, 3, 6, 7	L		EX8	DGZ		GEAR, Rear Annulus
19	52107926AA	1	2, 3, 6, 7	L		EX8	DGZ		SNAP RING
20	52108346AA	1	2, 3, 6, 7	L		EX8	DGZ		DISC, Spring
21									BEARING, Thrust



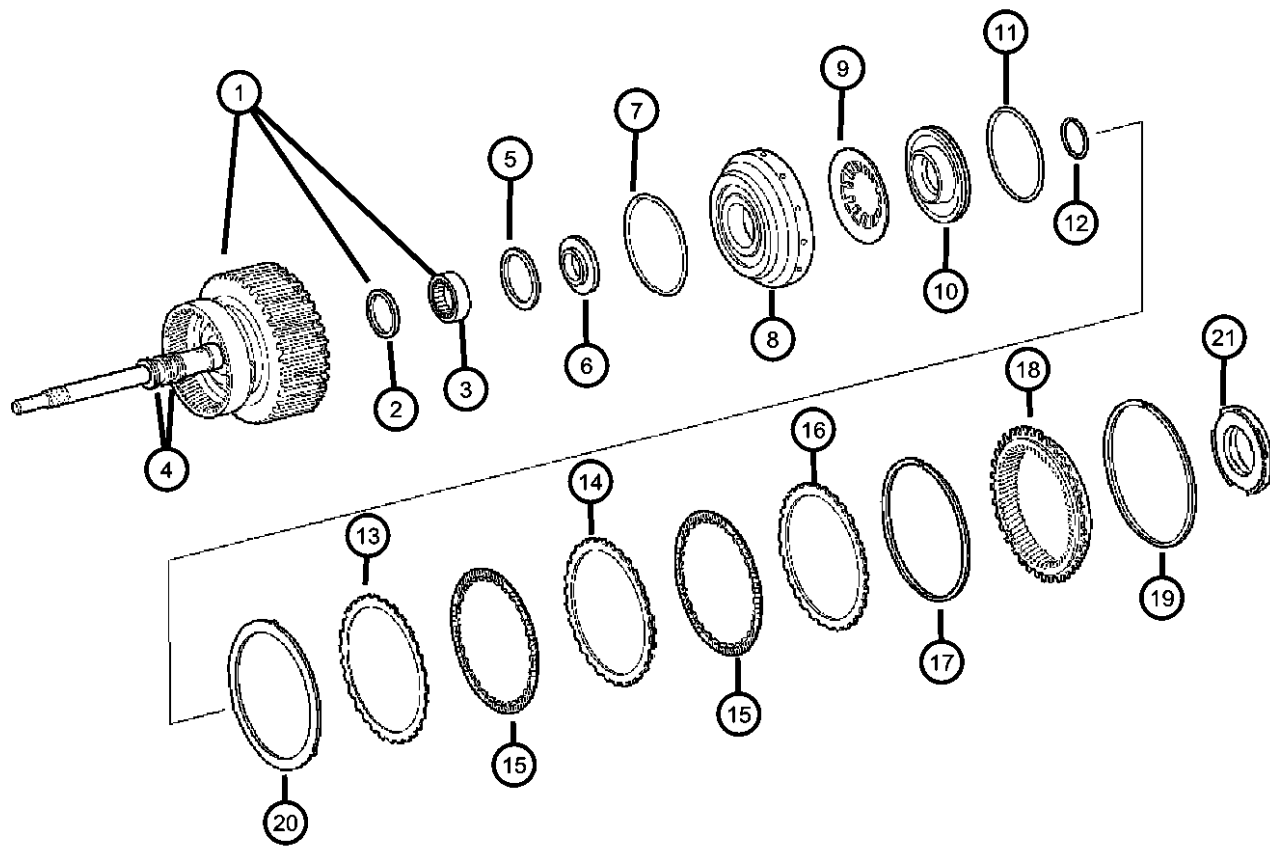
SPRINTER (VA)

SERIES	LINE	BODY	ENGINE	TRANSMISSION
L = LOWLINE	3 = HD DODGE 2WD 8 = HD DODGE 4WD 6 = Lt. Duty DODGE 4WD 2 = Med. Duty DODGE 2WD 7 = Med. Duty DODGE 4WD 4 = TRUCK	01 = CHASSIS FORWARD CONTROL W.B.1 02 = CAB CHASSIS WHEEL BASE 2 06 = CAB CHASSIS WHEEL BASE 6 11 = VAN WHEEL BASE 1 12 = VAN WHEEL BASE 2 51 = WAGON WHEEL BASE 1 52 = WAGON WHEEL BASE 2 14 = VAN WHEEL BASE 4 15 = VAN WHEEL BASE 5 54 = WAGON WHEEL BASE 4 55 = WAGON WHEEL BASE 5 56 = WAGON WHEEL BASE 6 16 = VAN WHEEL BASE 6	EX8 = 2.7L I5 Turbo Diesel Engine EX9 = 2.7L I5 Mercedes-Benz TD Engine	DGJ = 5-Speed Automatic MB Transmission DGZ = 4-Spd. Automatic MT643 Transmission

AR = use ase required - = Non illustrated part

Clutch - Output Shaft - [K2]
Figure NAG1-440

ITEM	PART NUMBER	QTY	LINE	SERIES	BODY	ENGINE	TRANS	TRIM	DESCRIPTION
	05138437AA	1	2, 3, 6, 7	L		EX8	DGZ		Optional With [05138438AA]
	05138438AA	1	2, 3, 6, 7	L		EX8	DGZ		Optional With [05138437AA]



SPRINTER (VA)

SERIES

L = LOWLINE

LINE

3 = HD DODGE 2WD
8 = HD DODGE 4WD
6 = Lt. Duty DODGE 4WD
2 = Med. Duty DODGE 2WD
7 = Med. Duty DODGE 4WD
4 = TRUCK

BODY

01 = CHASSIS FORWARD CONTROL W.B.1
02 = CAB CHASSIS WHEEL BASE 2
06 = CAB CHASSIS WHEEL BASE 6
11 = VAN WHEEL BASE 1
12 = VAN WHEEL BASE 2
51 = WAGON WHEEL BASE 1
52 = WAGON WHEEL BASE 2
14 = VAN WHEEL BASE 4
15 = VAN WHEEL BASE 5
54 = WAGON WHEEL BASE 4
55 = WAGON WHEEL BASE 5
56 = WAGON WHEEL BASE 6
16 = VAN WHEEL BASE 6

ENGINE

EX8 = 2.7L I5 Turbo Diesel Engine
EX9 = 2.7L I5 Mercedes-Benz TD Engine

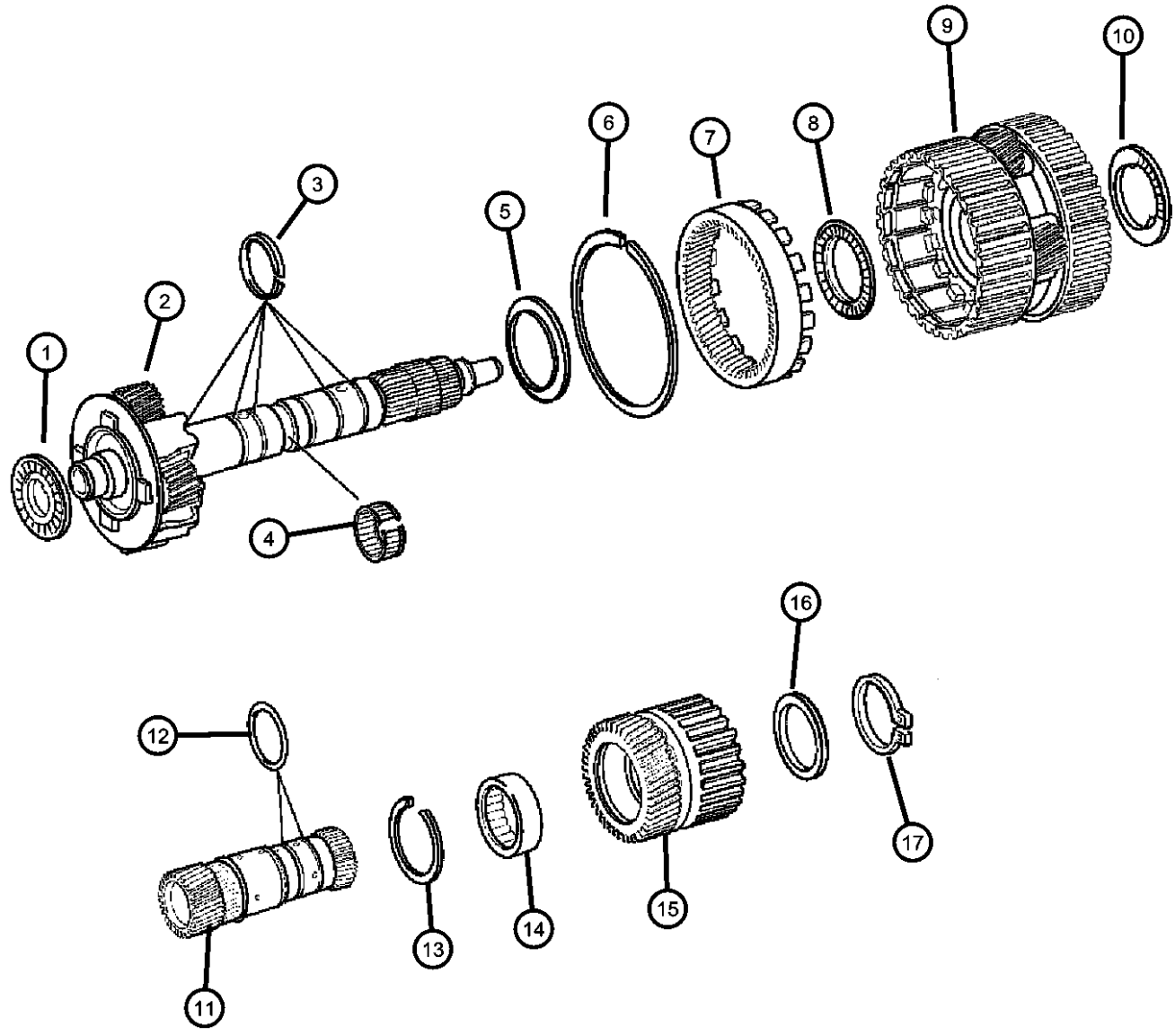
TRANSMISSION

DGJ = 5-Speed Automatic MB Transmission
DGZ = 4-Spd. Automatic MT643 Transmission

AR = use ase required - = Non illustrated part

2006 VA

**Center & Rear Planetary Set - Output Shaft - [MPLS/HPLS]
Figure NAG1-450**



ITEM	PART NUMBER	QTY	LINE	SERIES	BODY	ENGINE	TRANS	TRIM	DESCRIPTION
1									BEARING, Thrust
	05138437AA	1	2, 3, 6, 7	L		EX8	DGZ		Optional With [05138438AA]
	05138438AA	1	2, 3, 6, 7	L		EX8	DGZ		Optional With [05138437AA]
2	52107929AA	1	2, 3, 6, 7	L		EX8	DGZ		SHAFT, Output
3	52108427AA	5	2, 3, 6, 7	L		EX8	DGZ		SEAL, Transmission
4	52108069AA	1	2, 3, 6, 7	L		EX8	DGZ		NEEDLE BEARING
5	52108070AA	1	2, 3, 6, 7	L		EX8	DGZ		PLATE
6	52108374AA	1	2, 3, 6, 7	L		EX8	DGZ		SNAP RING
7	52108376AA	1	2, 3, 6, 7	L		EX8	DGZ		GEAR, Annulus
8	52107931AA	1	2, 3, 6, 7	L		EX8	DGZ		NEEDLE BEARING
9	52108072AA	1	2, 3, 6, 7	L		EX8	DGZ		CARRIER, Planetary
10	52107932AA	1	2, 3, 6, 7	L		EX8	DGZ		NEEDLE BEARING
11	52108078AA	1	2, 3, 6, 7	L		EX8	DGZ		GEAR, Sun
12	52108085AA	2	2, 3, 6, 7	L		EX8	DGZ		SEAL, Transmission
13	52107966AA	1	2, 3, 6, 7	L		EX8	DGZ		SNAP RING
14	52108522AA	1	2, 3, 6, 7	L		EX8	DGZ		BEARING, Output Shaft
15	52108519AA	1	2, 3, 6, 7	L		EX8	DGZ		GEAR, Sun
16	52108379AA	1	2, 3, 6, 7	L		EX8	DGZ		SPACER
17	52107967AA	1	2, 3, 6, 7	L		EX8	DGZ		SNAP RING

NOTE:
Sales Codes:
[DGZ]=5 Speed Automatic Transmission - [NAG1] - [W5A380]

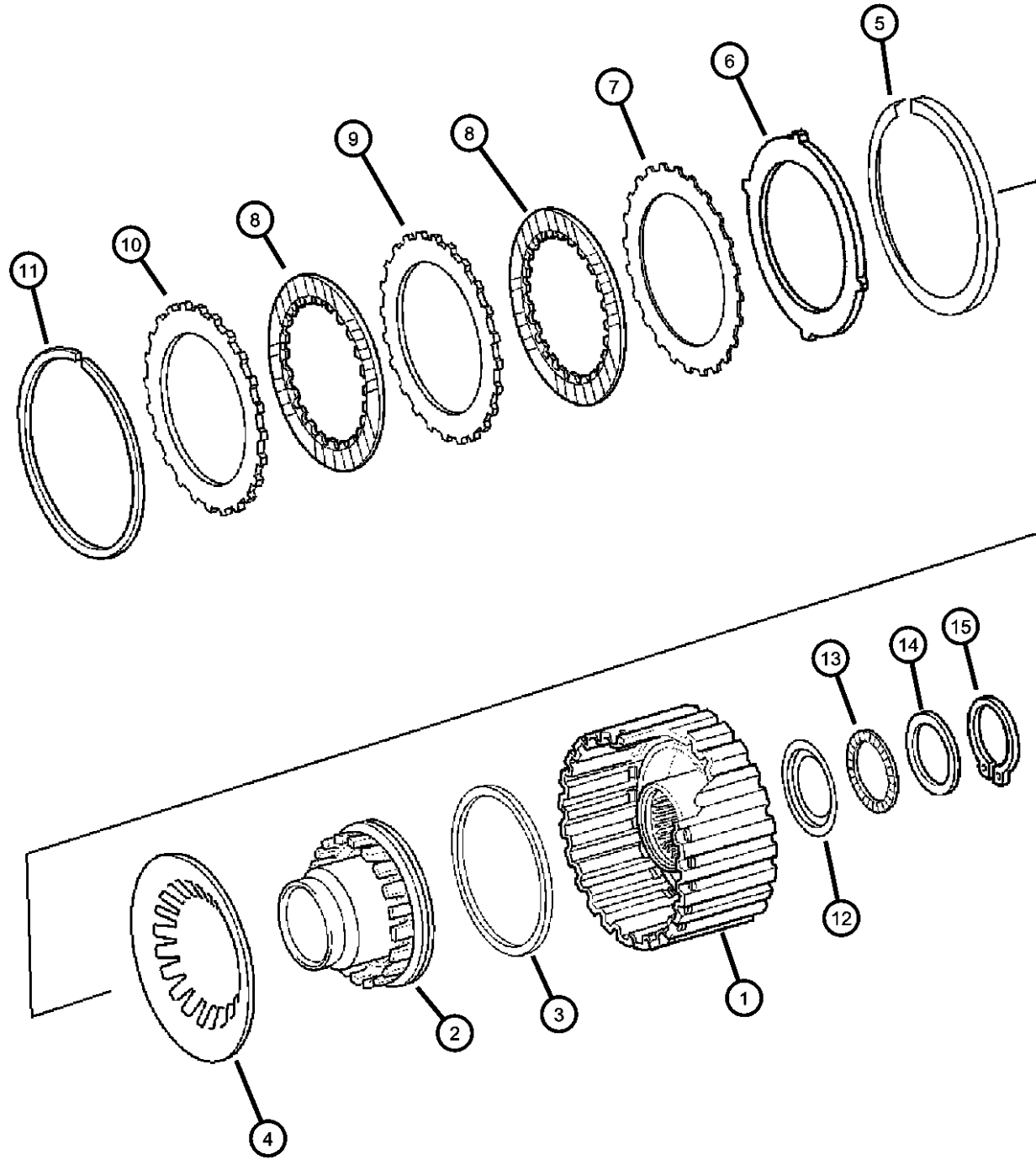
SPRINTER (VA)

SERIES	LINE	BODY	ENGINE	TRANSMISSION
L = LOWLINE	3 = HD DODGE 2WD 8 = HD DODGE 4WD 6 = Lt. Duty DODGE 4WD 2 = Med. Duty DODGE 2WD 7 = Med. Duty DODGE 4WD 4 = TRUCK	01 = CHASSIS FORWARD CONTROL W.B.1 02 = CAB CHASSIS WHEEL BASE 2 06 = CAB CHASSIS WHEEL BASE 6 11 = VAN WHEEL BASE 1 12 = VAN WHEEL BASE 2 51 = WAGON WHEEL BASE 1 52 = WAGON WHEEL BASE 2 14 = VAN WHEEL BASE 4 15 = VAN WHEEL BASE 5 54 = WAGON WHEEL BASE 4 55 = WAGON WHEEL BASE 5 56 = WAGON WHEEL BASE 6 16 = VAN WHEEL BASE 6	EX8 = 2.7L I5 Turbo Diesel Engine EX9 = 2.7L I5 Mercedes-Benz TD Engine	DGJ = 5-Speed Automatic MB Transmission DGZ = 4-Spd. Automatic MT643 Transmission



AR = use ase required - = Non illustrated part

Clutch - [K3]
Figure NAG1-460



ITEM	PART NUMBER	QTY	LINE	SERIES	BODY	ENGINE	TRANS	TRIM	DESCRIPTION
1	52108524AA	1	2, 3, 6, 7	L		EX8	DGZ		RETAINER, Clutch
2	52108094AA	1	2, 3, 6, 7	L		EX8	DGZ		PISTON
3	52108093AA	1	2, 3, 6, 7	L		EX8	DGZ		SEAL, Transmission
4	52108095AA	1	2, 3, 6, 7	L		EX8	DGZ		DISC, Spring
5	52107968AA	1	2, 3, 6, 7	L		EX8	DGZ		SNAP RING
6	52108096AA	1	2, 3, 6, 7	L		EX8	DGZ		DISC, Spring
7	52108004AA	4	2, 3, 6, 7	L		EX8	DGZ		DISC, Outer, [1.8 MM]
8	52108528AA	4	2, 3, 6, 7	L		EX8	DGZ		DISC, Inner
9	52108529AA	4	2, 3, 6, 7	L		EX8	DGZ		DISC, Outer, [2.07 MM]
10	52108011AA	1	2, 3, 6, 7	L		EX8	DGZ		DISC, Outer, [4.0 MM]
11									SNAP RING
	52107970AA	1	2, 3, 6, 7	L		EX8	DGZ		[2.3 MM]
	52107971AA	1	2, 3, 6, 7	L		EX8	DGZ		[2.6 MM]
	52107972AA	1	2, 3, 6, 7	L		EX8	DGZ		[2.9 MM]
	52107973AA	1	2, 3, 6, 7	L		EX8	DGZ		[3.2 MM]
	52107974AA	1	2, 3, 6, 7	L		EX8	DGZ		[2.0 MM]
12	52108148AA	1	2, 3, 6, 7	L		EX8	DGZ		SPACER
13	52108152AA	1	2, 3, 6, 7	L		EX8	DGZ		NEEDLE BEARING
14									PLATE
	52108149AA	1	2, 3, 6, 7	L		EX8	DGZ		[3.7 MM]
	52108150AA	1	2, 3, 6, 7	L		EX8	DGZ		[3.1 MM]
	52108151AA	1	2, 3, 6, 7	L		EX8	DGZ		[3.4 MM]
15	06507358AA	1	2, 3, 6, 7	L		EX8	DGZ		RING

SPRINTER (VA)

SERIES

L = LOWLINE
 3 = HD DODGE 2WD
 8 = HD DODGE 4WD
 6 = Lt. Duty DODGE 4WD
 2 = Med. Duty DODGE 2WD
 7 = Med. Duty DODGE 4WD
 4 = TRUCK

BODY

01 = CHASSIS FORWARD CONTROL W.B.1
 02 = CAB CHASSIS WHEEL BASE 2
 06 = CAB CHASSIS WHEEL BASE 6
 11 = VAN WHEEL BASE 1
 12 = VAN WHEEL BASE 2
 51 = WAGON WHEEL BASE 1
 52 = WAGON WHEEL BASE 2
 14 = VAN WHEEL BASE 4
 15 = VAN WHEEL BASE 5
 54 = WAGON WHEEL BASE 4
 55 = WAGON WHEEL BASE 5
 56 = WAGON WHEEL BASE 6
 16 = VAN WHEEL BASE 6

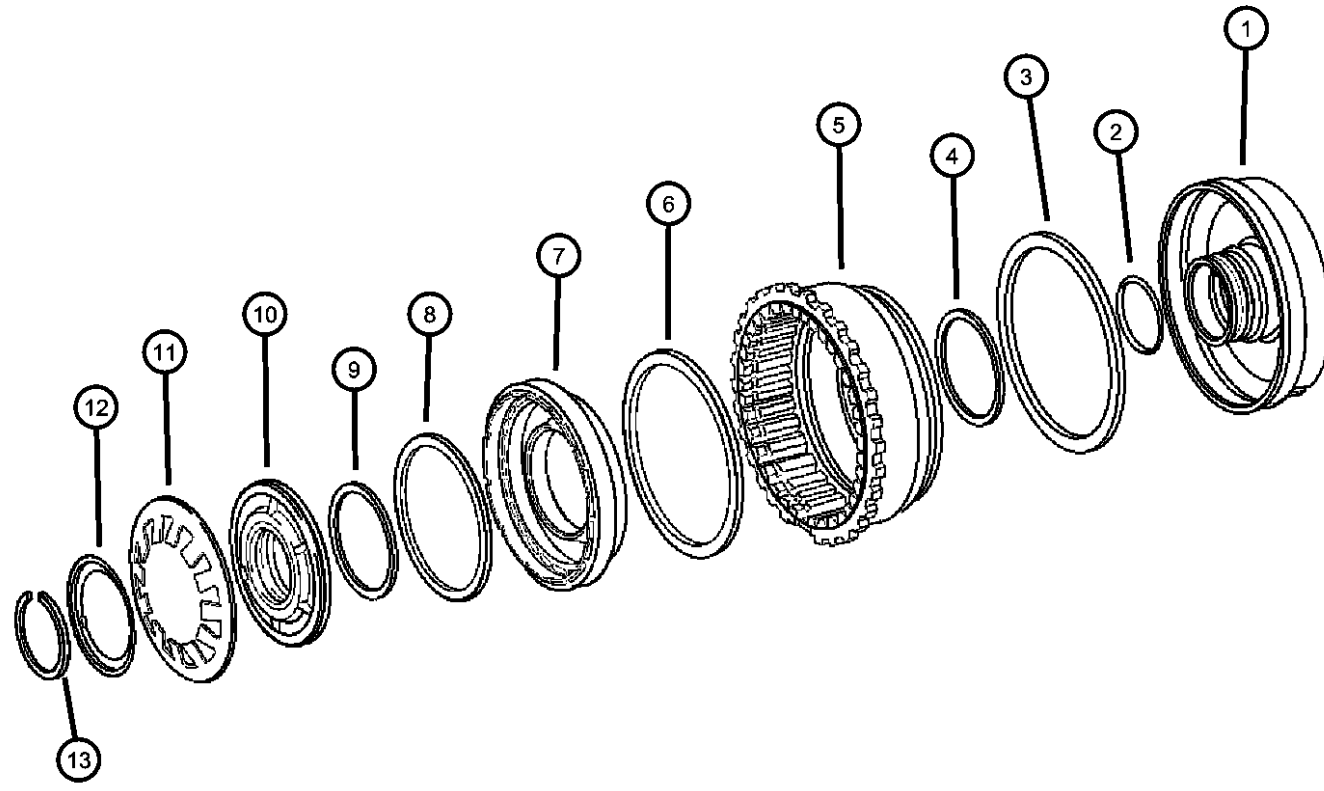
ENGINE

EX8 = 2.7L I5 Turbo Diesel Engine
 EX9 = 2.7L I5 Mercedes-Benz TD Engine

TRANSMISSION

DGJ = 5-Speed Automatic MB Transmission
 DGZ = 4-Spd. Automatic MT643 Transmission

**Multiple Disc Brake - [B2 & B3]
Figure NAG1-470**



ITEM	PART NUMBER	QTY	LINE	SERIES	BODY	ENGINE	TRANS	TRIM	DESCRIPTION
------	-------------	-----	------	--------	------	--------	-------	------	-------------

NOTE:
Sales Codes:
[DGZ]=5 Speed Automatic Transmission - [NAG1] - [W5A380]

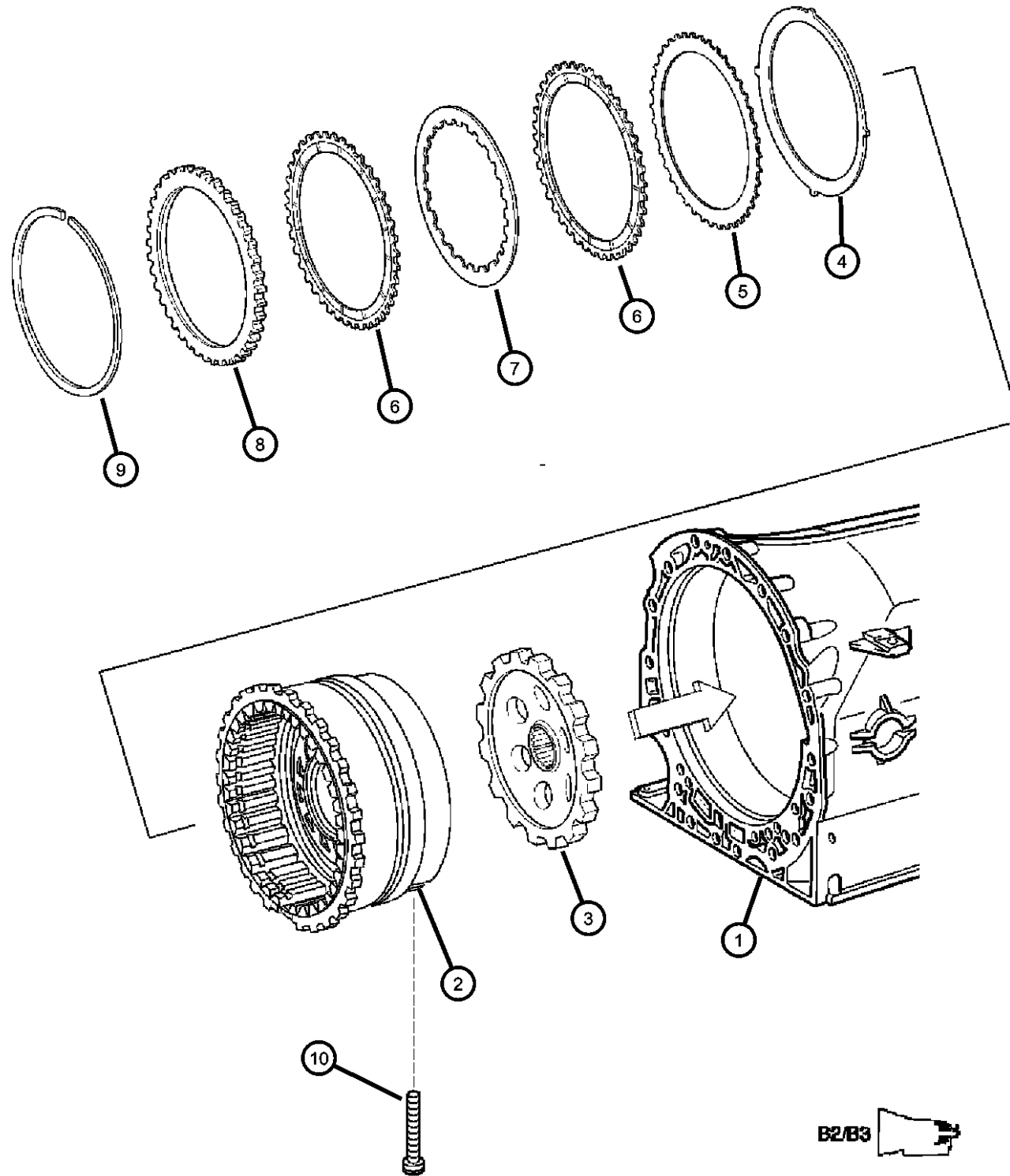
1	52108182AA	1	2, 3, 6, 7	L		EX8	DGZ		PLUNGER
2	52108185AA	1	2, 3, 6, 7	L		EX8	DGZ		SEAL, Transmission
3	52108188AA	1	2, 3, 6, 7	L		EX8	DGZ		SEAL, Transmission
4	52108189AA	1	2, 3, 6, 7	L		EX8	DGZ		SEAL, Transmission
5	52108395AA	1	2, 3, 6, 7	L		EX8	DGZ		PISTON
6	52108199AA	1	2, 3, 6, 7	L		EX8	DGZ		SEAL, Transmission
7	52108191AA	1	2, 3, 6, 7	L		EX8	DGZ		PISTON
8	52108200AA	1	2, 3, 6, 7	L		EX8	DGZ		SEAL, Transmission
9	52108201AA	1	2, 3, 6, 7	L		EX8	DGZ		SEAL, Transmission
10	52108351AA	1	2, 3, 6, 7	L		EX8	DGZ		RING, Piston
11	52108202AA	1	2, 3, 6, 7	L		EX8	DGZ		DISC, Spring
12	52108203AA	1	2, 3, 6, 7	L		EX8	DGZ		SPRING, Retainer
13	52107977AA	1	2, 3, 6, 7	L		EX8	DGZ		SNAP RING



SPRINTER (VA)		BODY	ENGINE	TRANSMISSION
SERIES	LINE			
L = LOWLINE	3 = HD DODGE 2WD 8 = HD DODGE 4WD 6 = Lt. Duty DODGE 4WD 2 = Med. Duty DODGE 2WD 7 = Med. Duty DODGE 4WD 4 = TRUCK	01 = CHASSIS FORWARD CONTROL W.B.1 02 = CAB CHASSIS WHEEL BASE 2 06 = CAB CHASSIS WHEEL BASE 6 11 = VAN WHEEL BASE 1 12 = VAN WHEEL BASE 2 51 = WAGON WHEEL BASE 1 52 = WAGON WHEEL BASE 2 14 = VAN WHEEL BASE 4 15 = VAN WHEEL BASE 5 54 = WAGON WHEEL BASE 4 55 = WAGON WHEEL BASE 5 56 = WAGON WHEEL BASE 6 16 = VAN WHEEL BASE 6	EX8 = 2.7L I5 Turbo Diesel Engine EX9 = 2.7L I5 Mercedes-Benz TD Engine	DGJ = 5-Speed Automatic MB Transmission DGZ = 4-Spd. Automatic MT643 Transmission

AR = use ase required - = Non illustrated part

**Multiple Disc Brake - [B2 & B3]
Figure NAG1-480**



ITEM	PART NUMBER	QTY	LINE	SERIES	BODY	ENGINE	TRANS	TRIM	DESCRIPTION
------	-------------	-----	------	--------	------	--------	-------	------	-------------

NOTE: Drum Package Is Not Serviced In An Assembly. Please See Illustration [#470] Callouts [1,2,3,4 & 5] To Obtain Part Numbers
Sales Codes:

[DGZ]=5 Speed Automatic Transmission - [NAG1] - [W5A380]

1	52107977AA	1							CASE, Transmission, See Illustration [#210], (NOT SERVICED)
2	52107977AA	1							DRUM PACKAGE, Transmission, See Illustration [#470] Callout [#1,2,3,4 & 5], (NOT SERVICED)
3	52108180AA	1	2, 3, 6, 7	L		EX8	DGZ		LOCK, Parking Wheel
4	52108354AA	1	2, 3, 6, 7	L		EX8	DGZ		DISC, Spring
5	52108013AA	1	2, 3, 6, 7	L		EX8	DGZ		DISC, Outer, [1.8 MM]
6	52108572AA	1	2, 3, 6, 7	L		EX8	DGZ		DISC, Outer
7	52108015AA	1	2, 3, 6, 7	L		EX8	DGZ		DISC, Inner, [1.8 MM]
8	52108014AA	1	2, 3, 6, 7	L		EX8	DGZ		DISC, Outer, [6.5 MM]
9									SNAP RING
	52107979AA	1	2, 3, 6, 7	L		EX8	DGZ		[4.1 MM]
	52107980AA	1	2, 3, 6, 7	L		EX8	DGZ		[3.8 MM]
	52107981AA	1	2, 3, 6, 7	L		EX8	DGZ		[3.5 MM]
	52107982AA	1	2, 3, 6, 7	L		EX8	DGZ		[3.2 MM]
	52107983AA	1	2, 3, 6, 7	L		EX8	DGZ		[2.9 MM]
10	52108205AA	1	2, 3, 6, 7	L		EX8	DGZ		SCREW

SPRINTER (VA)

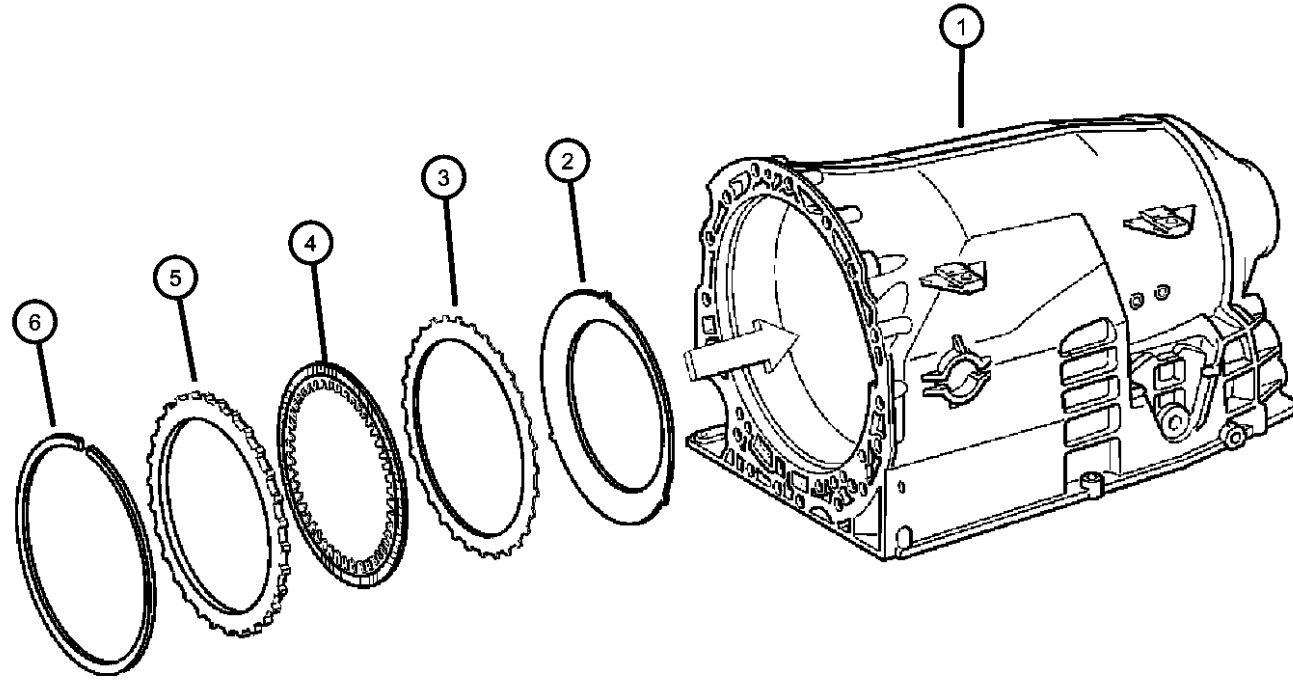
SERIES	LINE	BODY	ENGINE	TRANSMISSION
L = LOWLINE	3 = HD DODGE 2WD 8 = HD DODGE 4WD 6 = Lt. Duty DODGE 4WD 2 = Med. Duty DODGE 2WD 7 = Med. Duty DODGE 4WD 4 = TRUCK	01 = CHASSIS FORWARD CONTROL W.B.1 02 = CAB CHASSIS WHEEL BASE 2 06 = CAB CHASSIS WHEEL BASE 6 11 = VAN WHEEL BASE 1 12 = VAN WHEEL BASE 2 51 = WAGON WHEEL BASE 1 52 = WAGON WHEEL BASE 2 14 = VAN WHEEL BASE 4 15 = VAN WHEEL BASE 5 54 = WAGON WHEEL BASE 4 55 = WAGON WHEEL BASE 5 56 = WAGON WHEEL BASE 6 16 = VAN WHEEL BASE 6	EX8 = 2.7L I5 Turbo Diesel Engine EX9 = 2.7L I5 Mercedes-Benz TD Engine	DGJ = 5-Speed Automatic MB Transmission DGZ = 4-Spd. Automatic MT643 Transmission

B2/B3

AR = use ase required - = Non illustrated part

2006 VA

**Multiple Disc Brake - [B2 & B3]
Figure NAG1-490**



ITEM	PART NUMBER	QTY	LINE	SERIES	BODY	ENGINE	TRANS	TRIM	DESCRIPTION
------	-------------	-----	------	--------	------	--------	-------	------	-------------

NOTE:
Sales Codes:
[DGZ]=5 Speed Automatic Transmission - [NAG1] - [W5A380]

1	52108205AA	1							HOUSING, Transmission Case, Serviced With Transmission Assembly, (NOT SERVICED)
2	52108356AA	1	2, 3, 6, 7	L		EX8	DGZ		DISC, Spring
3	52108017AA	5	2, 3, 6, 7	L		EX8	DGZ		DISC, Outer, [1.8 MM]
4	52108573AA	1	2, 3, 6, 7	L		EX8	DGZ		DISC, Inner
5	52108018AA	1	2, 3, 6, 7	L		EX8	DGZ		DISC, Outer, [6.5 MM]
6									SNAP RING
	52107985AA	1	2, 3, 6, 7	L		EX8	DGZ		[3.2 MM]
	52107986AA	1	2, 3, 6, 7	L		EX8	DGZ		[3.5 MM]
	52107987AA	1	2, 3, 6, 7	L		EX8	DGZ		[3.8 MM]
	52107988AA	1	2, 3, 6, 7	L		EX8	DGZ		[4.1 MM]
	52107989AA	1	2, 3, 6, 7	L		EX8	DGZ		[4.4 MM]
	52107990AA	1	2, 3, 6, 7	L		EX8	DGZ		[4.8 MM]

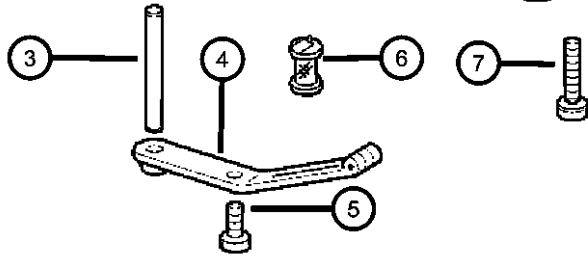
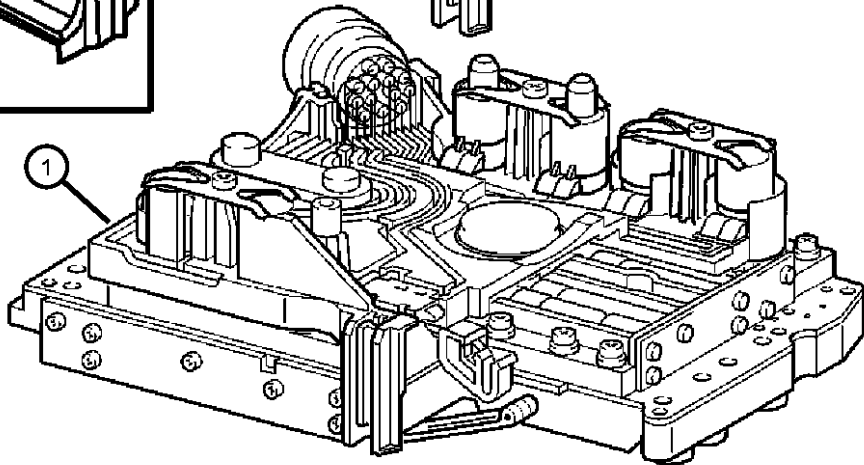
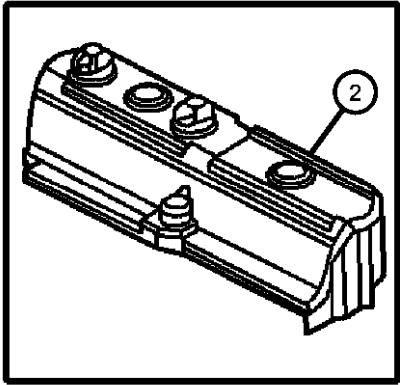
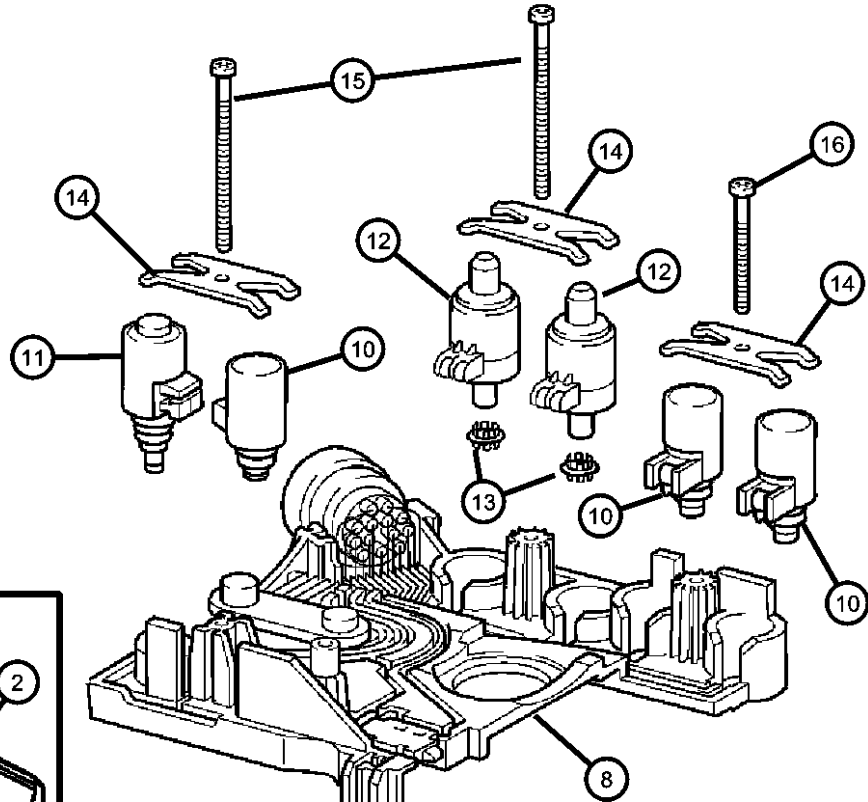
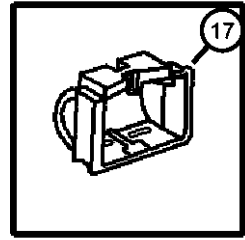
SPRINTER (VA)

SERIES	LINE	BODY	ENGINE	TRANSMISSION
L = LOWLINE	3 = HD DODGE 2WD 8 = HD DODGE 4WD 6 = Lt. Duty DODGE 4WD 2 = Med. Duty DODGE 2WD 7 = Med. Duty DODGE 4WD 4 = TRUCK	01 = CHASSIS FORWARD CONTROL W.B.1 02 = CAB CHASSIS WHEEL BASE 2 06 = CAB CHASSIS WHEEL BASE 6 11 = VAN WHEEL BASE 1 12 = VAN WHEEL BASE 2 51 = WAGON WHEEL BASE 1 52 = WAGON WHEEL BASE 2 14 = VAN WHEEL BASE 4 15 = VAN WHEEL BASE 5 54 = WAGON WHEEL BASE 4 55 = WAGON WHEEL BASE 5 56 = WAGON WHEEL BASE 6 16 = VAN WHEEL BASE 6	EX8 = 2.7L I5 Turbo Diesel Engine EX9 = 2.7L I5 Mercedes-Benz TD Engine	DGJ = 5-Speed Automatic MB Transmission DGZ = 4-Spd. Automatic MT643 Transmission



AR = use ase required - = Non illustrated part

**Electronic - Hydraulic Control
Figure NAG1-710**



ITEM	PART NUMBER	QTY	LINE	SERIES	BODY	ENGINE	TRANS	TRIM	DESCRIPTION
NOTE: Valve Body Connector Includes Speed Sensor Sales Codes: [DGZ]=5 Speed Automatic Transmission - [NAG1] - [W5A380]									
1	05080262AA	1	2, 3, 6, 7	L		EX8	DGZ		VALVE BODY, Complete
2	52108320AA	1	2, 3, 6, 7	L		EX8	DGZ		SHIELD, Transmission Solenoid
3	05098951AA	1	2, 3, 6, 7	L		EX8	DGZ		DOWEL
4	52108258AA	1	2, 3, 6, 7	L		EX8	DGZ		SPRING
5	52108266AB	1	2, 3, 6, 7	L		EX8	DGZ		SCREW
6	52108304AA	1	2, 3, 6, 7	L		EX8	DGZ		FILTER, Transmission Oil
7	52108267AA	10	2, 3, 6, 7	L		EX8	DGZ		SCREW
8	52108308AB	1	2, 3, 6, 7	L		EX8	DGZ		CONNECTOR
-9									CONNECTOR
	05120265AA	1	2, 6	L		EX8	DGZ		Round Connector / To Valve Body
		1	3, 7	L		EX8	DGZ		Round Connector / To Valve Body
10	05134760AA	3	2, 3, 6, 7	L		EX8	DGZ		SOLENOID, Transmission
11	52108314AA	1	2, 3, 6, 7	L		EX8	DGZ		SOLENOID, Transmission, PWM Valve / Selector Valve
12	05138838AA	2	2, 3, 6, 7	L		EX8	DGZ		SOLENOID, Transmission, Lifting Magnet
13	52108316AA	2	2, 3, 6, 7	L		EX8	DGZ		FILTER, Transmission Oil
14	52108315AA	3	2, 3, 6, 7	L		EX8	DGZ		PLATE
15	52108268AA	2	2, 3, 6, 7	L		EX8	DGZ		SCREW, [M6x80.0]
16	52108269AA	1	2, 3, 6, 7	L		EX8	DGZ		SCREW, [M6.55]
17	05134761AA	3	2, 3, 6, 7	L		EX8	DGZ		COVER, Valve Body

SPRINTER (VA)

SERIES	LINE	BODY	ENGINE	TRANSMISSION
L = LOWLINE	3 = HD DODGE 2WD 8 = HD DODGE 4WD 6 = Lt. Duty DODGE 4WD 2 = Med. Duty DODGE 2WD 7 = Med. Duty DODGE 4WD 4 = TRUCK	01 = CHASSIS FORWARD CONTROL W.B.1 02 = CAB CHASSIS WHEEL BASE 2 06 = CAB CHASSIS WHEEL BASE 6 11 = VAN WHEEL BASE 1 12 = VAN WHEEL BASE 2 51 = WAGON WHEEL BASE 1 52 = WAGON WHEEL BASE 2 14 = VAN WHEEL BASE 4 15 = VAN WHEEL BASE 5 54 = WAGON WHEEL BASE 4 55 = WAGON WHEEL BASE 5 56 = WAGON WHEEL BASE 6 16 = VAN WHEEL BASE 6	EX8 = 2.7L I5 Turbo Diesel Engine EX9 = 2.7L I5 Mercedes-Benz TD Engine	DGJ = 5-Speed Automatic MB Transmission DGZ = 4-Spd. Automatic MT643 Transmission

AR = use ase required - = Non illustrated part

Oil Pan & Gasket
Figure NAG1-720

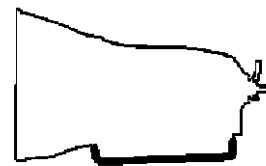
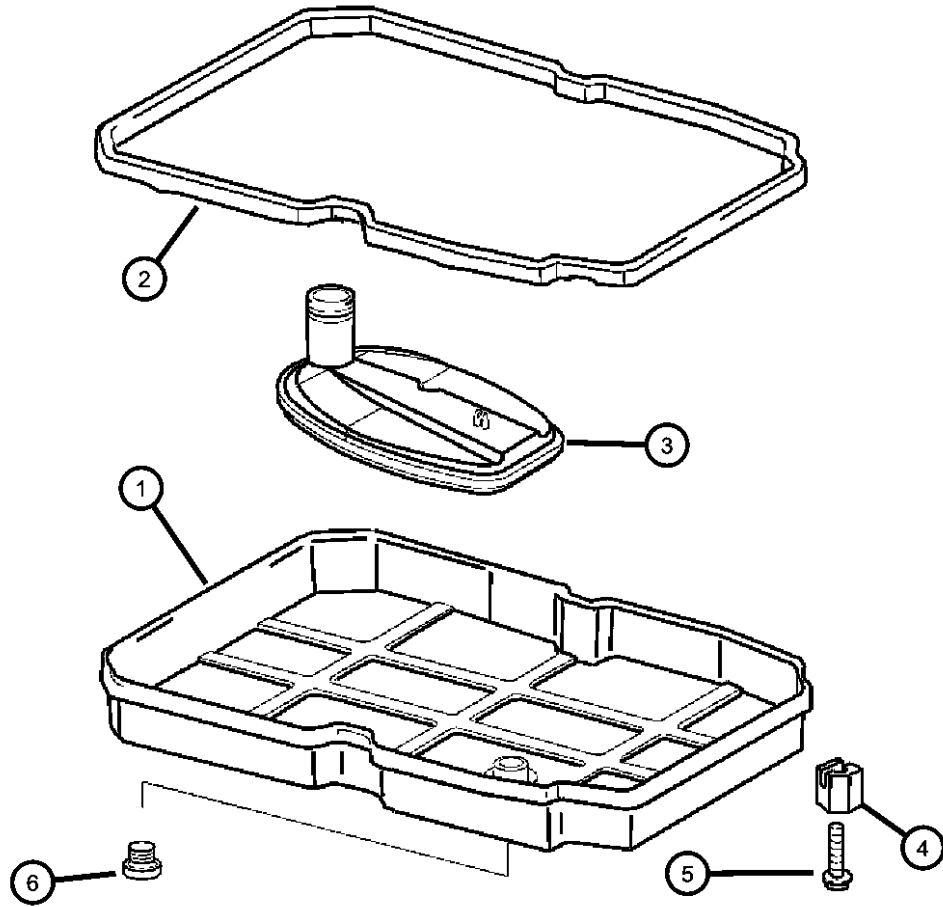
ITEM	PART NUMBER	QTY	LINE	SERIES	BODY	ENGINE	TRANS	TRIM	DESCRIPTION
------	-------------	-----	------	--------	------	--------	-------	------	-------------

NOTE:

Sales Codes:

[DGZ]=5 Speed Automatic Transmission - [NAG1] - [W5A380]

1	52108326AA	1	2, 3, 6, 7	L		EX8	DGZ		PAN, Transmission Oil
2	52108332AA	1	2, 3, 6, 7	L		EX8	DGZ		GASKET
3	52108325AA	1	2, 3, 6, 7	L		EX8	DGZ		FILTER, Transmission Oil
4	52108334AA	5	2, 3, 6, 7	L		EX8	DGZ		NUT
5	52108270AA	6	2, 3, 6, 7	L		EX8	DGZ		SCREW
6	52108331AA	1	2, 3, 6, 7	L		EX8	DGZ		MAGNET



SPRINTER (VA)

SERIES

LINE

L = LOWLINE

3 = HD DODGE 2WD
 8 = HD DODGE 4WD
 6 = Lt. Duty DODGE 4WD
 2 = Med. Duty DODGE 2WD
 7 = Med. Duty DODGE 4WD
 4 = TRUCK

BODY

01 = CHASSIS FORWARD CONTROL W.B.1
 02 = CAB CHASSIS WHEEL BASE 2
 06 = CAB CHASSIS WHEEL BASE 6
 11 = VAN WHEEL BASE 1
 12 = VAN WHEEL BASE 2
 51 = WAGON WHEEL BASE 1
 52 = WAGON WHEEL BASE 2
 14 = VAN WHEEL BASE 4
 15 = VAN WHEEL BASE 5
 54 = WAGON WHEEL BASE 4
 55 = WAGON WHEEL BASE 5
 56 = WAGON WHEEL BASE 6
 16 = VAN WHEEL BASE 6

ENGINE

EX8 = 2.7L I5 Turbo Diesel Engine
 EX9 = 2.7L I5 Mercedes-Benz TD Engine

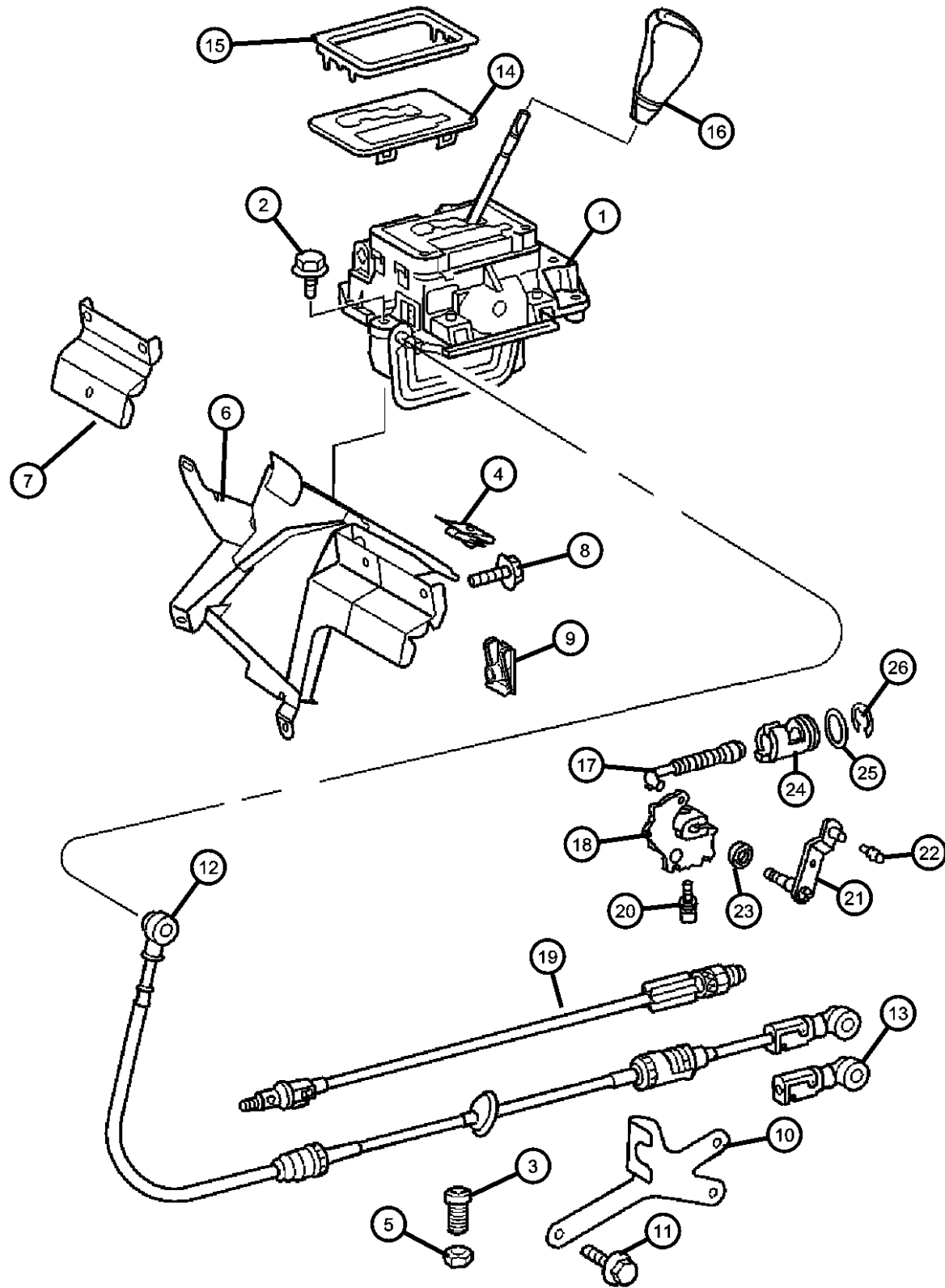
TRANSMISSION

DGJ = 5-Speed Automatic MB Transmission
 DGZ = 4-Spd. Automatic MT643 Transmission

AR = use ase required - = Non illustrated part

2006 VA

**Gear Shift Control
Figure NAG1-1210**



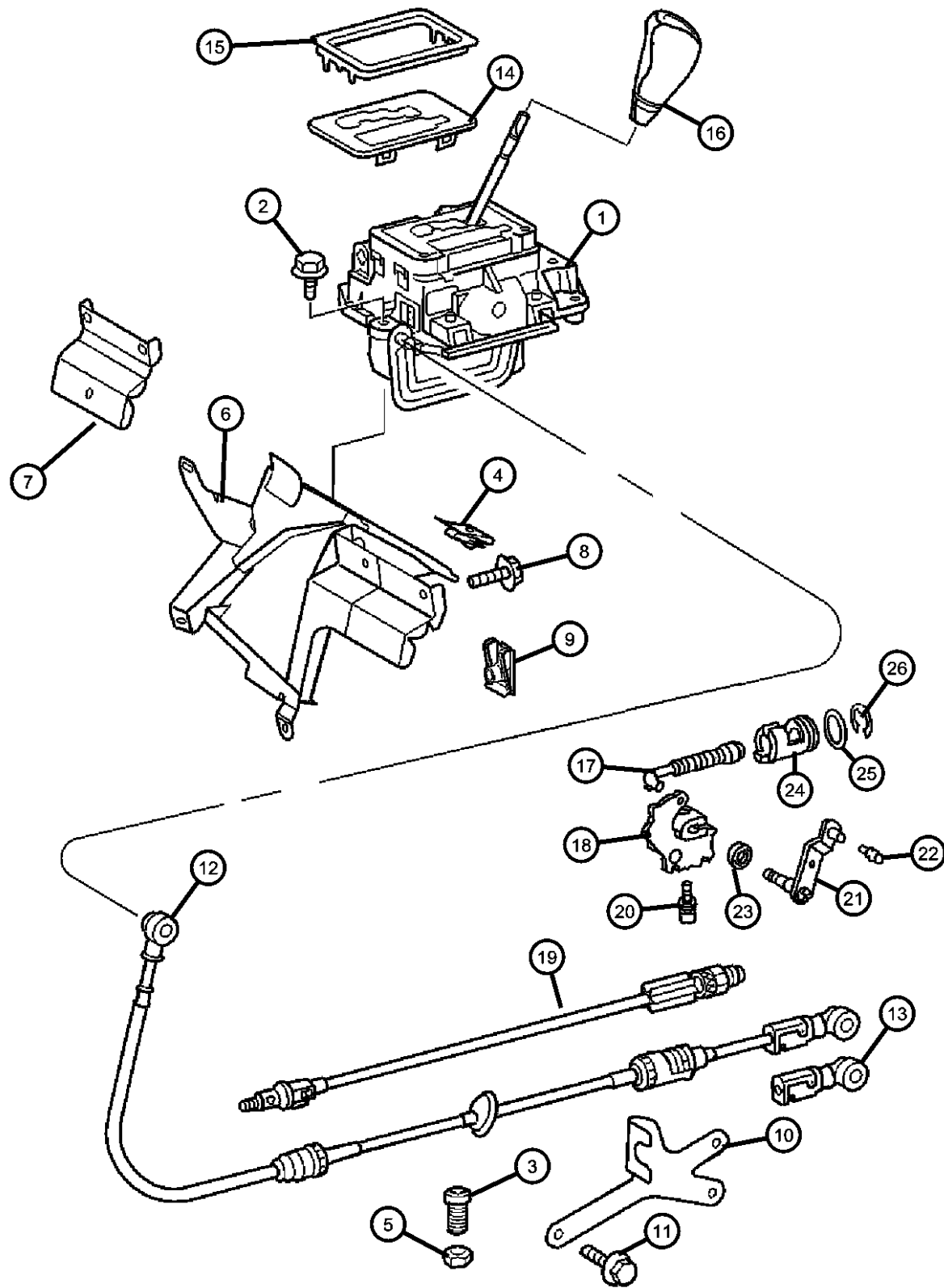
ITEM	PART NUMBER	QTY	LINE	SERIES	BODY	ENGINE	TRANS	TRIM	DESCRIPTION
NOTE: Sales Codes: [DGZ]=5 Speed Automatic Transmission - [NAG1] - [W5A380]									
1	05104040AA	1	2, 6	L		EX8	DGZ		SHIFTER, Transmission Without [BNB]
	05135728AA	1	2, 6	L		EX8	DGZ		With [BNB]
		1	3, 7	L		EX8	DGZ		Without [BNB]
2	05133476AB	2	2, 6	L		EX8	DGZ		SCREW
		2	3, 7	L		EX8	DGZ		
3	06104142AA	2	2, 6	L		EX8	DGZ		SCREW
		2	3, 7	L		EX8	DGZ		
4	05103733AA	3	2, 6	L		EX8	DGZ		NUT
		3	3, 7	L		EX8	DGZ		
5	05126253AA	2	2, 6	L		EX8	DGZ		NUT
		2	3, 7	L		EX8	DGZ		
6	05117814AA	1	2, 6	L		EX8	DGZ		SUPPORT
		1	3, 7	L		EX8	DGZ		
7	05122893AA	1	3, 7	L		EX8	DGZ		BRACKET, Transmission Shifter
		1	2, 6	L		EX8	DGZ		
8	05126227AA	2	2, 6	L		EX8	DGZ		BOLT, Hex Head
		2	3, 7	L		EX8	DGZ		

SPRINTER (VA)

SERIES	LINE	BODY	ENGINE	TRANSMISSION
L = LOWLINE	3 = HD DODGE 2WD 8 = HD DODGE 4WD 6 = Lt. Duty DODGE 4WD 2 = Med. Duty DODGE 2WD 7 = Med. Duty DODGE 4WD 4 = TRUCK	01 = CHASSIS FORWARD CONTROL W.B.1 02 = CAB CHASSIS WHEEL BASE 2 06 = CAB CHASSIS WHEEL BASE 6 11 = VAN WHEEL BASE 1 12 = VAN WHEEL BASE 2 51 = WAGON WHEEL BASE 1 52 = WAGON WHEEL BASE 2 14 = VAN WHEEL BASE 4 15 = VAN WHEEL BASE 5 54 = WAGON WHEEL BASE 4 55 = WAGON WHEEL BASE 5 56 = WAGON WHEEL BASE 6 16 = VAN WHEEL BASE 6	EX8 = 2.7L I5 Turbo Diesel Engine EX9 = 2.7L I5 Mercedes-Benz TD Engine	DGJ = 5-Speed Automatic MB Transmission DGZ = 4-Spd. Automatic MT643 Transmission

AR = use ase required - = Non illustrated part

**Gear Shift Control
Figure NAG1-1210**



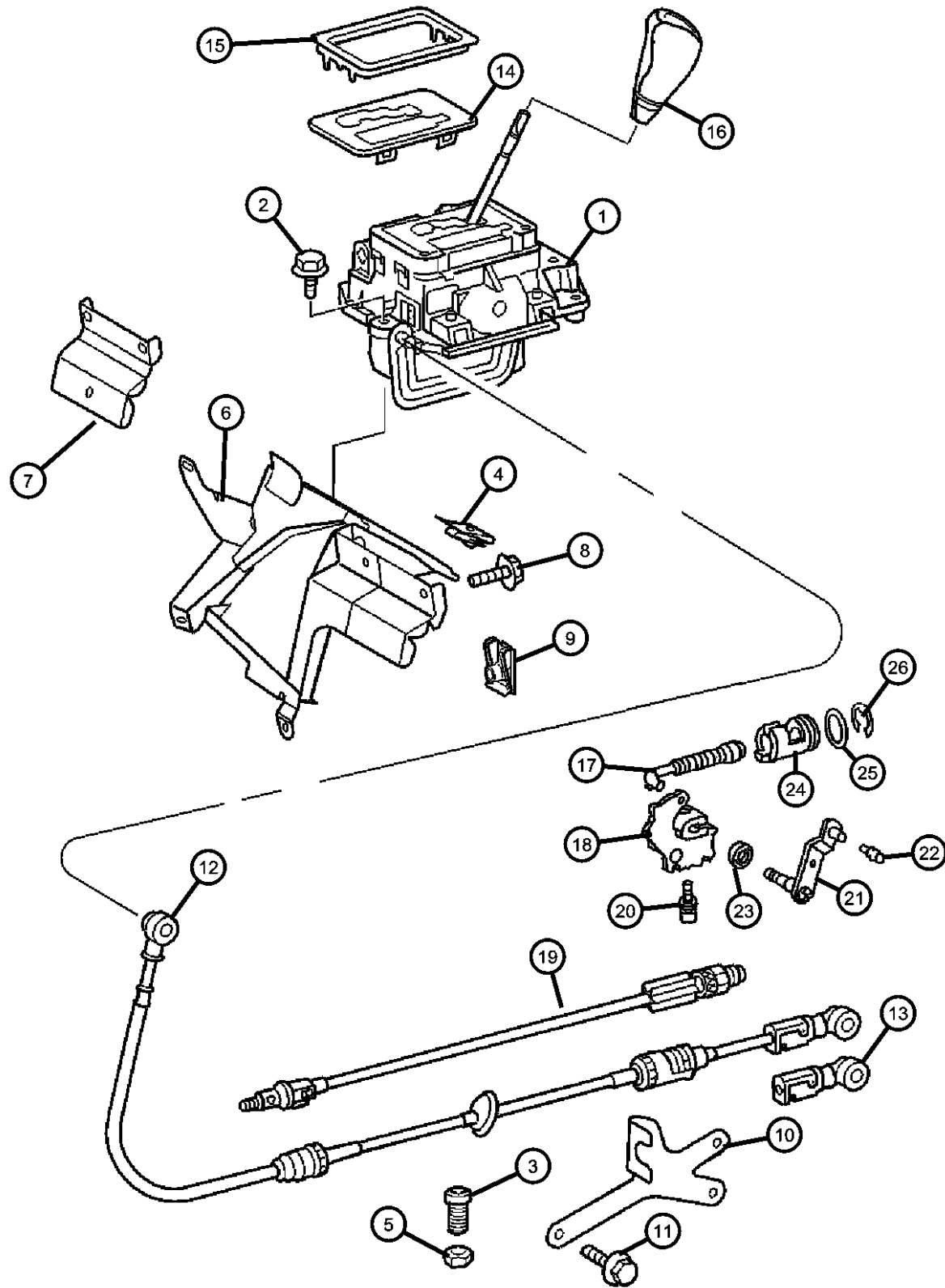
ITEM	PART NUMBER	QTY	LINE	SERIES	BODY	ENGINE	TRANS	TRIM	DESCRIPTION
9									U-NUT
	05125859AA	10	2, 6	L		EX8	DGZ		
		10	3, 7	L		EX8	DGZ		
10									BRACKET, Gearshift
	05117826AA	1	2, 6	L		EX8	DGZ		
		1	3, 7	L		EX8	DGZ		
11									BOLT, Hex Head
	05126101AA	3	2, 6	L		EX8	DGZ		
		3	3, 7	L		EX8	DGZ		
12									CABLE, Gear Selector
	05104039AA	1	2, 6	L		EX8	DGZ		
		1	3, 7	L		EX8	DGZ		
13									RETAINER, Transmission Control Shift
	05104044AA	1	2, 6	L		EX8	DGZ		
		1	3, 7	L		EX8	DGZ		
14									COVER, Gearshift
	05104041AA	1	2, 6	L		EX8	DGZ		
		1	3, 7	L		EX8	DGZ		
15									BEZEL, Gear Selector
	0YN85PXBA	1	2, 6	L		EX8	DGZ		
		1	3, 7	L		EX8	DGZ		
16									KNOB, Gearshift
	05117825AA	1	2, 6	L		EX8	DGZ		
		1	3, 7	L		EX8	DGZ		
17									LINKAGE, Transmission
	52108166AA	1	2, 3, 6, 7	L		EX8	DGZ		
18									DETENT, Gearshift
	05099886AA	1	2, 3, 6, 7	L		EX8	DGZ		
19									CABLE, Park Interlock

SPRINTER (VA)

SERIES	LINE	BODY	ENGINE	TRANSMISSION
L = LOWLINE	3 = HD DODGE 2WD 8 = HD DODGE 4WD 6 = Lt. Duty DODGE 4WD 2 = Med. Duty DODGE 2WD 7 = Med. Duty DODGE 4WD 4 = TRUCK	01 = CHASSIS FORWARD CONTROL W.B.1 02 = CAB CHASSIS WHEEL BASE 2 06 = CAB CHASSIS WHEEL BASE 6 11 = VAN WHEEL BASE 1 12 = VAN WHEEL BASE 2 51 = WAGON WHEEL BASE 1 52 = WAGON WHEEL BASE 2 14 = VAN WHEEL BASE 4 15 = VAN WHEEL BASE 5 54 = WAGON WHEEL BASE 4 55 = WAGON WHEEL BASE 5 56 = WAGON WHEEL BASE 6 16 = VAN WHEEL BASE 6	EX8 = 2.7L I5 Turbo Diesel Engine EX9 = 2.7L I5 Mercedes-Benz TD Engine	DGJ = 5-Speed Automatic MB Transmission DGZ = 4-Spd. Automatic MT643 Transmission

AR = use ase required - = Non illustrated part

**Gear Shift Control
Figure NAG1-1210**



ITEM	PART NUMBER	QTY	LINE	SERIES	BODY	ENGINE	TRANS	TRIM	DESCRIPTION
	05104043AA	1	2, 6	L		EX8	DGZ		
		1	3, 7	L		EX8	DGZ		
20	52108178AA	1	2, 3, 6, 7	L		EX8	DGZ		SCREW
21	05117845AA	1	2, 3, 6, 7	L		EX8	DGZ		LEVER, Gearshift
22	05096975AA	1	2, 3, 6, 7	L		EX8	DGZ		PIVOT
23	52108170AA	1	2, 3, 6, 7	L		EX8	DGZ		SEAL, Transmission
24	52108176AA	1	2, 3, 6, 7	L		EX8	DGZ		GUIDE
25	52108177AA	1	2, 3, 6, 7	L		EX8	DGZ		SEAL, Transmission
26	52107976AA	1	2, 3, 6, 7	L		EX8	DGZ		SNAP RING

SPRINTER (VA)

SERIES
L = LOWLINE

LINE

3 = HD DODGE 2WD
8 = HD DODGE 4WD
6 = Lt. Duty DODGE 4WD
2 = Med. Duty DODGE 2WD
7 = Med. Duty DODGE 4WD
4 = TRUCK

BODY

01 = CHASSIS FORWARD CONTROL W.B.1
02 = CAB CHASSIS WHEEL BASE 2
06 = CAB CHASSIS WHEEL BASE 6
11 = VAN WHEEL BASE 1
12 = VAN WHEEL BASE 2
51 = WAGON WHEEL BASE 1
52 = WAGON WHEEL BASE 2
14 = VAN WHEEL BASE 4
15 = VAN WHEEL BASE 5
54 = WAGON WHEEL BASE 4
55 = WAGON WHEEL BASE 5
56 = WAGON WHEEL BASE 6
16 = VAN WHEEL BASE 6

ENGINE

EX8 = 2.7L I5 Turbo Diesel Engine
EX9 = 2.7L I5 Mercedes-Benz TD Engine

TRANSMISSION

DGJ = 5-Speed Automatic MB Transmission
DGZ = 4-Spd. Automatic MT643 Transmission

AR = use ase required - = Non illustrated part

2006 VA

Group - 22

Wheels, Covers and Jacks

Group - 22 Wheels, Covers and Jacks

Illustration Title

Group-Fig. No.

Wheels and Hardware

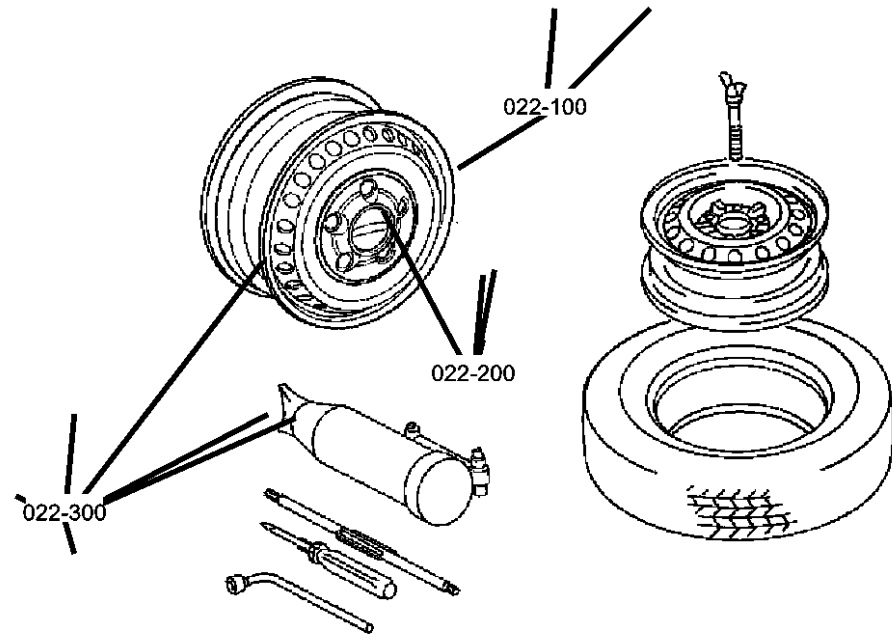
Wheels and HardwareFig. 22 - 120

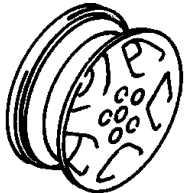
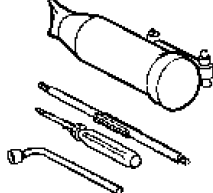
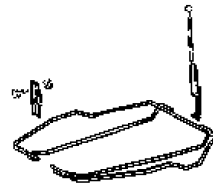
Jack Stowage

Jack and Stowage.....Fig. 22 - 340

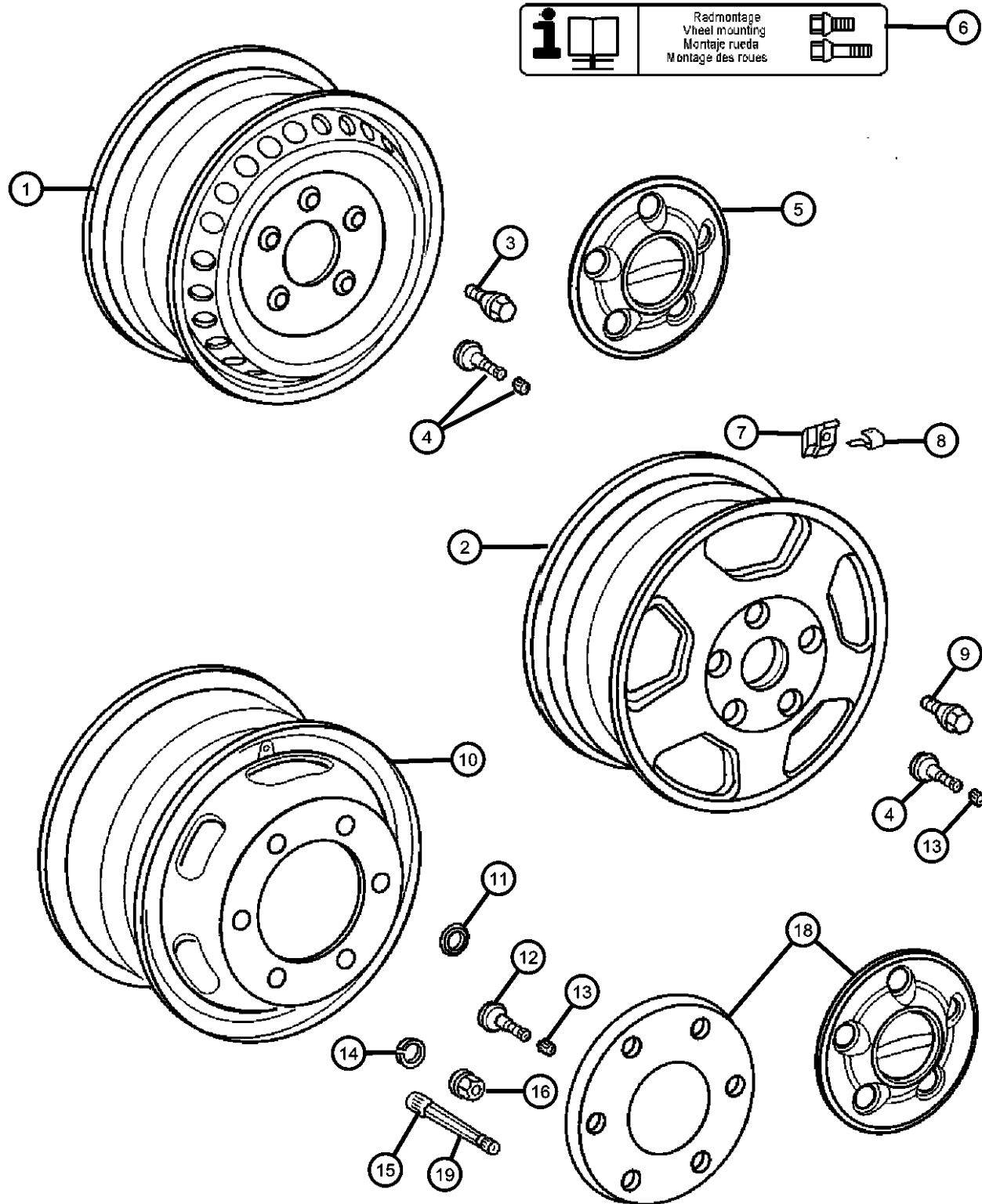
Spare Tire Stowage

Wheel, SpareFig. 22 - 430



<p>022-100 Wheels and Hardware</p> 	<p>022-300 Jack Stowage</p> 	<p>022-400 Spare Tire Stowage</p> 	
---	--	---	--

Wheels and Hardware
Figure 22-120



ITEM	PART NUMBER	QTY	LINE	SERIES	BODY	ENGINE	TRANS	TRIM	DESCRIPTION
------	-------------	-----	------	--------	------	--------	-------	------	-------------

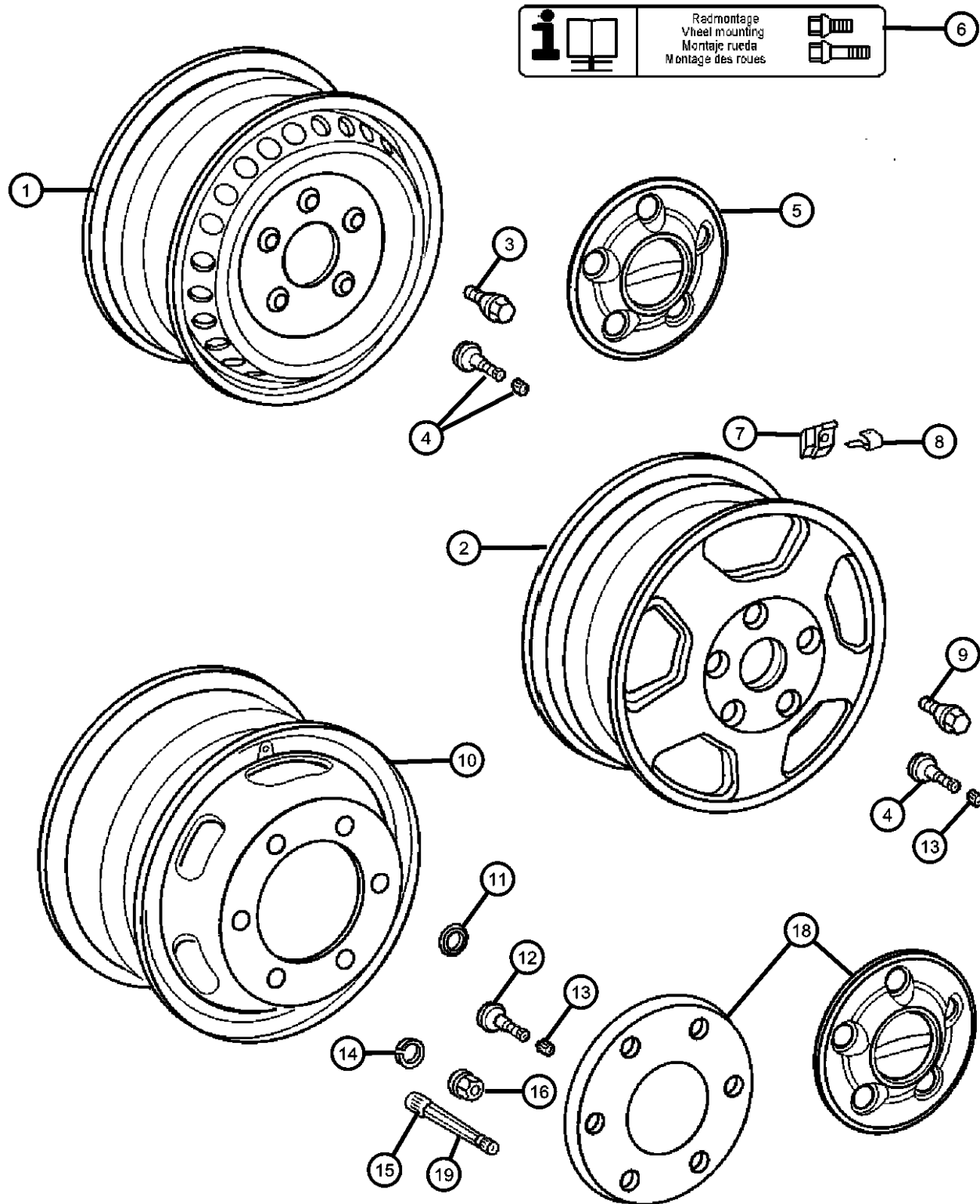
NOTES: Sales Codes:
 [AMB] = United Parcel Service Group
 [AMC] = Federal Express Group
 [MGQ] = Freightliner Badge
 [MG4] = Dodge Badge
 [WCD] = 15x5.0 Steel Wheels
 [WCL] = 15x6.0 Steel Wheels
 [WDG] = 16x6.0 Steel Wheels
 [WLB] = Steel Spare Wheel
 [WWA] = Paintable Wheels
 [WWB] = 16x6x.0 Aluminum Wheels
 [WWW] = Steel Artic White Wheels
 [4DR] = Weight Variant 3.88T
 4JR = Dual Rear Wheel Chassis with 16' Tire
 [4XS] = National Version for USA
 [4Z1] = National Verison for Canada

1									WHEEL
	05103605AA	2	2, 6	L	01, 02, 06				[WCL+WWW+(4Z1=4XS)]
		2	2, 6	L	11, 12, 14, 15, 16				[WCL+WWW+(4Z1=4XS)]
	05104573AA	2	2, 6	L	01, 02, 06				[WCL+(4Z1=AXS)]
		2	2, 6	L	11, 12, 14, 15, 16				[WCL+(4Z1=AXS)]
	05104581AA	2	3, 7	L	02, 06				[WCD]
		2	3, 7	L	12, 15, 16				[WCD]
	05128908AA	2	2, 6	L	01, 02, 06				[WDG+WWA+(4Z1=4XS)]
		2	2, 6	L	11, 12, 14, 15, 16				[WDG+WWA+(4Z1=4XS)]
	05128911AA	2	2, 6	L	01, 02, 06				[WDG+(4Z1=4XS)]
		2	2, 6	L	11, 12, 14, 15, 16				[WDG+(4Z1=4XS)]
	05142364AA	7	3, 7	L	02, 06				[WDG+4JR]
	05166588AA	7	3, 7	L	02, 06				[WDG+4JR+WWA]
2									WHEEL, Aluminum

SPRINTER (VA)		BODY		ENGINE		TRANSMISSION	
SERIES	LINE						
L = LOWLINE	3 = HD DODGE 2WD	01 = CHASSIS FORWARD CONTROL W.B.1	EX8 = 2.7L I5 Turbo Diesel Engine	DGJ = 5-Speed Automatic MB Transmission			
	8 = HD DODGE 4WD	02 = CAB CHASSIS WHEEL BASE 2	EX9 = 2.7L I5 Mercedes-Benz TD Engine	DGZ = 4-Spd. Automatic MT643 Transmission			
	6 = Lt. Duty DODGE 4WD	06 = CAB CHASSIS WHEEL BASE 6					
	2 = Med. Duty DODGE 2WD	11 = VAN WHEEL BASE 1					
	7 = Med. Duty DODGE 4WD	12 = VAN WHEEL BASE 2					
	4 = TRUCK	51 = WAGON WHEEL BASE 1					
		52 = WAGON WHEEL BASE 2					
		14 = VAN WHEEL BASE 4					
		15 = VAN WHEEL BASE 5					
		54 = WAGON WHEEL BASE 4					
		55 = WAGON WHEEL BASE 5					
		56 = WAGON WHEEL BASE 6					
		16 = VAN WHEEL BASE 6					

AR = use ase required - = Non illustrated part

Wheels and Hardware
Figure 22-120



i Redmontage
Wheel mounting
Montaje rueda
Montage des roues

ITEM	PART NUMBER	QTY	LINE	SERIES	BODY	ENGINE	TRANS	TRIM	DESCRIPTION
	05140692AA	2	2, 6	L	11, 12, 14, 15, 16				[WDG+WWB+(4Z1=4XS)]
		2	2, 6	L	11, 12, 14, 15, 16				[WWB+WDG+(4Z1=4XS)]
3	05104080AA	20	2, 6	L	01, 02, 06				BOLT, [WDG=WCL=WCL+WWW+AMC]
4	05175254AA	99	2, 6	L	01, 02, 06				STEM, Wheel Valve
5	05104571AA	4	6	L	01, 02, 06				CAP, Wheel Center
		4	6	L	11, 12, 14, 15, 16				[(WCL=WDG)+4XS+MGQ- (WWW=AMB)]
		4	6	L	51, 52, 54, 55, 56				[(WCL=WDG)+4XS+MGQ- (WWW=AMB)]
	05104582AA	2	7	L	02, 06				[4XS+MGQ]
		2	7	L	12, 15, 16				[4XS+MGQ]
	05128954AA	4	2	L	01, 02, 06				[(WCL=WDG)+4Z1=(4XS+MG4)- (WWW=AMB)]
		4	2	L	11, 12, 14, 15, 16				[(WCL=WDG)+4Z1=(4XS+MG4)- (WWW=AMB)]
		4	2	L	51, 52, 54, 55, 56				[(WCL=WDG)+4Z1=(4XS+MG4)- (WWW=AMB)]
6	05129737AA	1	2, 6	L	01, 02, 06				LABEL
		1	2, 6	L	11, 12, 14, 15, 16				[(WWB- 4DR=WWB+4DR+WLB)- (WWA=4Z1)]
		1	2, 6	L	51, 52, 54, 55, 56				[(WWB- 4DR=WWB+4DR+WLB)- (WWA=4Z1)]
7		1							WEIGHT, Balance, Perf Part, (NOT SERVICED),
8		1							BRACKET, (NOT SERVICED)

SPRINTER (VA)

SERIES
L = LOWLINE

LINE
3 = HD DODGE 2WD
8 = HD DODGE 4WD
6 = Lt. Duty DODGE 4WD
2 = Med. Duty DODGE 2WD
7 = Med. Duty DODGE 4WD
4 = TRUCK

BODY
01 = CHASSIS FORWARD CONTROL W.B.1
02 = CAB CHASSIS WHEEL BASE 2
06 = CAB CHASSIS WHEEL BASE 6
11 = VAN WHEEL BASE 1
12 = VAN WHEEL BASE 2
51 = WAGON WHEEL BASE 1
52 = WAGON WHEEL BASE 2
14 = VAN WHEEL BASE 4
15 = VAN WHEEL BASE 5
54 = WAGON WHEEL BASE 4
55 = WAGON WHEEL BASE 5
56 = WAGON WHEEL BASE 6
16 = VAN WHEEL BASE 6

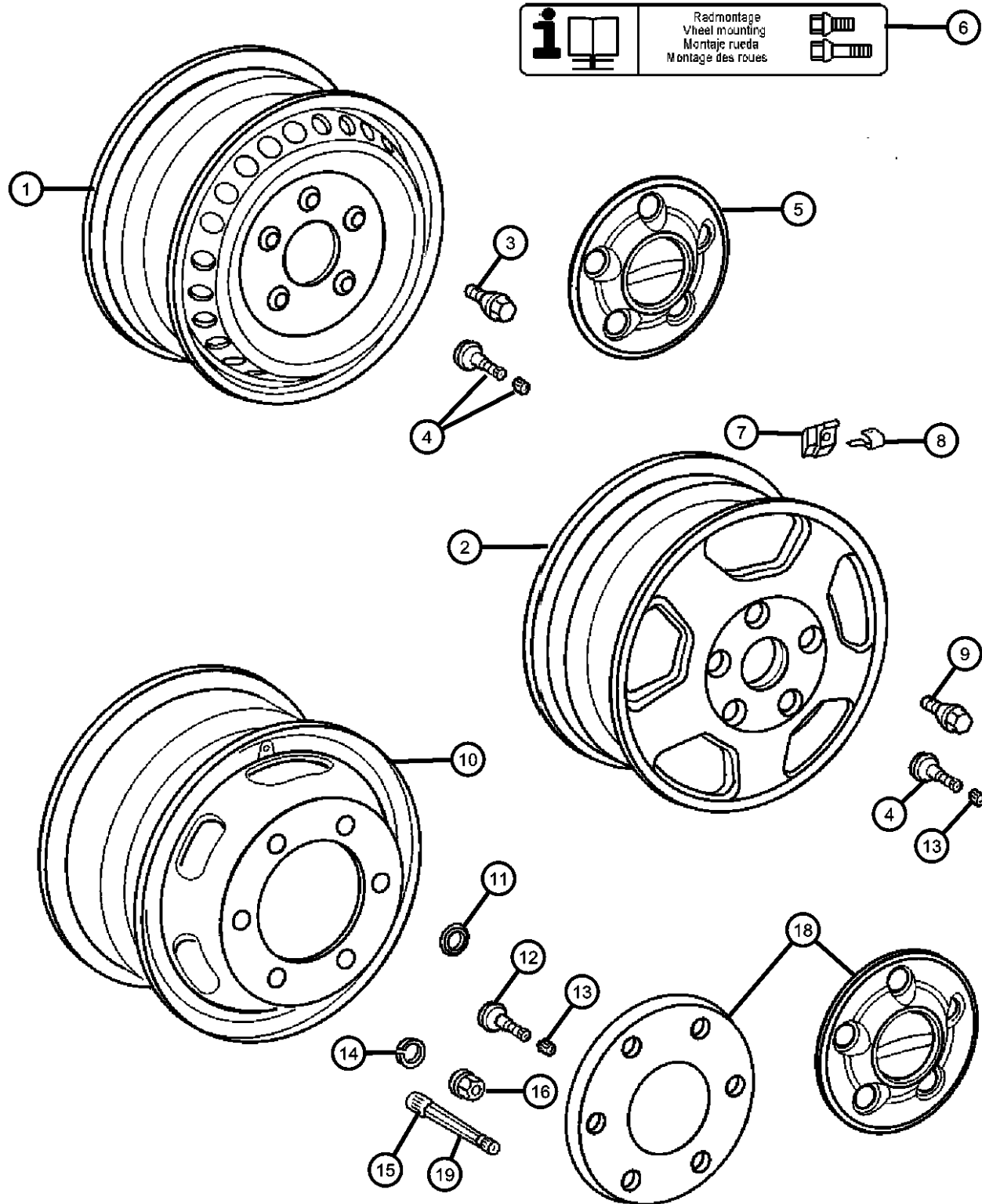
ENGINE
EX8 = 2.7L I5 Turbo Diesel Engine
EX9 = 2.7L I5 Mercedes-Benz TD Engine

TRANSMISSION
DGJ = 5-Speed Automatic MB Transmission
DGZ = 4-Spd. Automatic MT643 Transmission

AR = use ase required - = Non illustrated part

2006 VA

Wheels and Hardware
Figure 22-120



ITEM	PART NUMBER	QTY	LINE	SERIES	BODY	ENGINE	TRANS	TRIM	DESCRIPTION
9	05104018AA	20	2, 6	L	01, 02, 06				BOLT [WWB=WWB+WDG]
		20	2, 6	L	11, 12, 14, 15, 16				[WWB=WWB+WDG]
		20	2, 6	L	51, 52, 54, 55, 56				[WWB=WWB+WDG]
10	05104581AA	1	3, 7	L	02, 06				WHEEL [WCD+WLB], Spare
		1	3, 7	L	12, 15, 16				[WCD+WLB], Spare
11	05103941AA	12	3, 7	L	02, 06				WASHER
		12	3, 7	L	12, 15, 16				
12	05103628AA	99	3, 7	L	02, 06				STEM, Wheel Valve
		99	3, 7	L	12, 15, 16				
13	05104630AA	99	2, 6	L	01, 02, 06				CAP, Valve stem
		99	2, 6	L	11, 12, 14, 15, 16				
		99	3, 7	L	02, 06				
		99	3, 7	L	12, 15, 16				
14	05104538AA	12	3, 7	L	02, 06				WASHER, Lock
		12	3, 7	L	12, 15, 16				
15	05118963AA	2	3, 7	L	02, 06				STEM, Wheel Valve [-(4JR+WDG)]
		2	3, 7	L	12, 15, 16				
16	05104651AA	12	3, 7	L	02, 06				NUT

SPRINTER (VA)

SERIES
L = LOWLINE

LINE
3 = HD DODGE 2WD
8 = HD DODGE 4WD
6 = Lt. Duty DODGE 4WD
2 = Med. Duty DODGE 2WD
7 = Med. Duty DODGE 4WD
4 = TRUCK

BODY
01 = CHASSIS FORWARD CONTROL W.B.1
02 = CAB CHASSIS WHEEL BASE 2
06 = CAB CHASSIS WHEEL BASE 6
11 = VAN WHEEL BASE 1
12 = VAN WHEEL BASE 2
51 = WAGON WHEEL BASE 1
52 = WAGON WHEEL BASE 2
14 = VAN WHEEL BASE 4
15 = VAN WHEEL BASE 5
54 = WAGON WHEEL BASE 4
55 = WAGON WHEEL BASE 5
56 = WAGON WHEEL BASE 6
16 = VAN WHEEL BASE 6

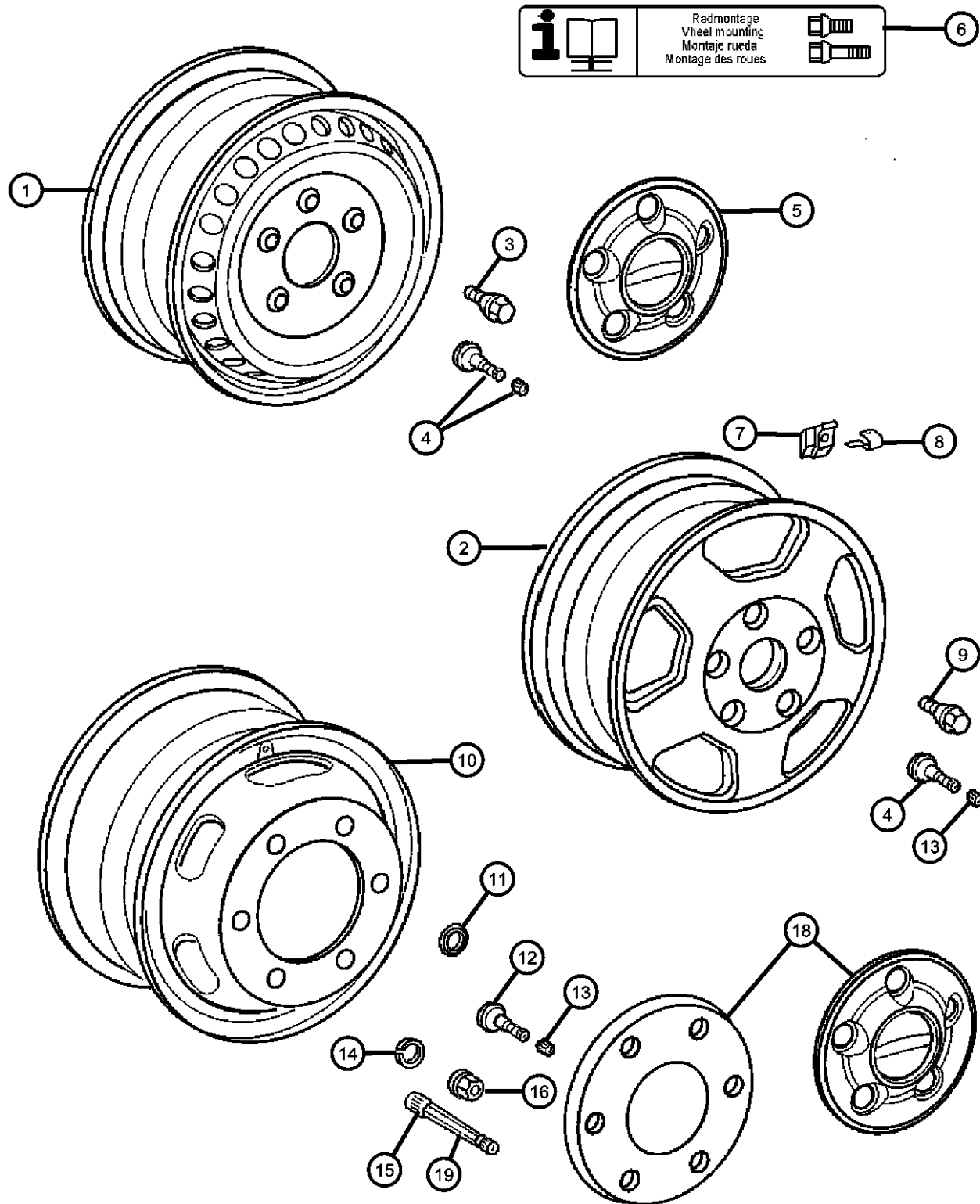
ENGINE
EX8 = 2.7L I5 Turbo Diesel Engine
EX9 = 2.7L I5 Mercedes-Benz TD Engine

TRANSMISSION
DGJ = 5-Speed Automatic MB Transmission
DGZ = 4-Spd. Automatic MT643 Transmission

AR = use ase required - = Non illustrated part

2006 VA

Wheels and Hardware
Figure 22-120



ITEM	PART NUMBER	QTY	LINE	SERIES	BODY	ENGINE	TRANS	TRIM	DESCRIPTION
-17	05139905AA	2	3, 7	L	12, 15, 16				BOLT, Wheel Stud [3500] Series, Wheel Stud
18	05104570AA	4	2, 6	L	01, 02, 06				COVER, Wheel
		4	2, 6	L	11, 12, 14, 15, 16				[(WDG+WWB)+(4Z!=4XS)+(MG4=M
		4	2, 6	L	51, 52, 54, 55, 56				[(WDG+WWB)+(4Z!=4XS)+(MG4=M
	05114454AA	2	3	L	02, 06				[(4Z1=4XS)+MG4-AMB]
		2	3	L	12, 15, 16				[(4Z1=4XS)+MG4-AMB]
19	05166591AA	2	3, 7	L	02, 06				STEM, Wheel Valve, Extension, [4JR+WDG]

SPRINTER (VA)

SERIES
L = LOWLINE

LINE

3 = HD DODGE 2WD
8 = HD DODGE 4WD
6 = Lt. Duty DODGE 4WD
2 = Med. Duty DODGE 2WD
7 = Med. Duty DODGE 4WD
4 = TRUCK

BODY

01 = CHASSIS FORWARD CONTROL W.B.1
02 = CAB CHASSIS WHEEL BASE 2
06 = CAB CHASSIS WHEEL BASE 6
11 = VAN WHEEL BASE 1
12 = VAN WHEEL BASE 2
51 = WAGON WHEEL BASE 1
52 = WAGON WHEEL BASE 2
14 = VAN WHEEL BASE 4
15 = VAN WHEEL BASE 5
54 = WAGON WHEEL BASE 4
55 = WAGON WHEEL BASE 5
56 = WAGON WHEEL BASE 6
16 = VAN WHEEL BASE 6

ENGINE

EX8 = 2.7L I5 Turbo Diesel Engine
EX9 = 2.7L I5 Mercedes-Benz TD Engine

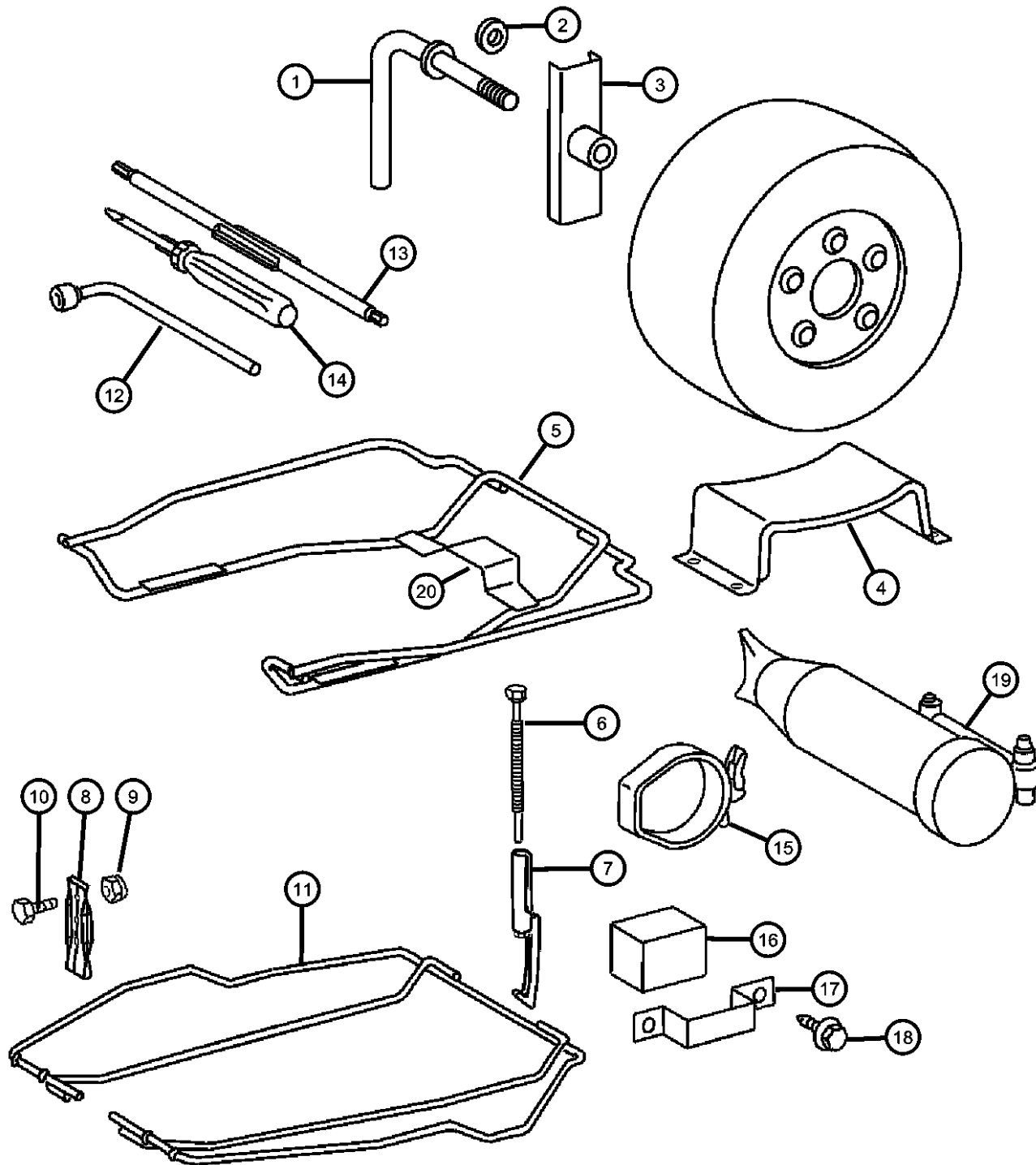
TRANSMISSION

DGJ = 5-Speed Automatic MB Transmission
DGZ = 4-Spd. Automatic MT643 Transmission

AR = use ase required - = Non illustrated part

2006 VA

Jack and Stowage
Figure 22-340



ITEM	PART NUMBER	QTY	LINE	SERIES	BODY	ENGINE	TRANS	TRIM	DESCRIPTION
1	05104529AA	1	2, 6	L	11, 12, 14, 15, 16				SCREW
2	05126189AA	4	2, 6	L	11, 12, 14, 15, 16				WASHER, Flat [CFY]
		4	2, 6	L	51, 52, 54, 55, 56				[CFY]
		4	3, 7	L	12, 15, 16				[CFY]
3	05104528AA	1	2, 6	L	11, 12, 14, 15, 16				BRACKET, Spare Tire Winch
4	05121441AA	1	2, 6	L	11, 12, 14, 15, 16				REST, Spare Tire
		1	3, 7	L	12, 15, 16				
5	05104078AA	1	2, 6	L	11, 12, 14, 15, 16				SUPPORT, Spare Tire [TBN+WDG]
		1	2, 6	L	51, 52, 54, 55, 56				[TBN+WDG]
		1	3, 7	L	02, 06				[TBN+4JR]
	05118911AA	1	3, 7	L	06				158 Inch Wheelbase
		1	3, 7	L	16				158 Inch Wheelbase
	05118913AA	1	3, 7	L	02				140 Inch Wheelbase
		1	3, 7	L	12, 15				140 Inch Wheelbase

NOTES: Sales Codes:

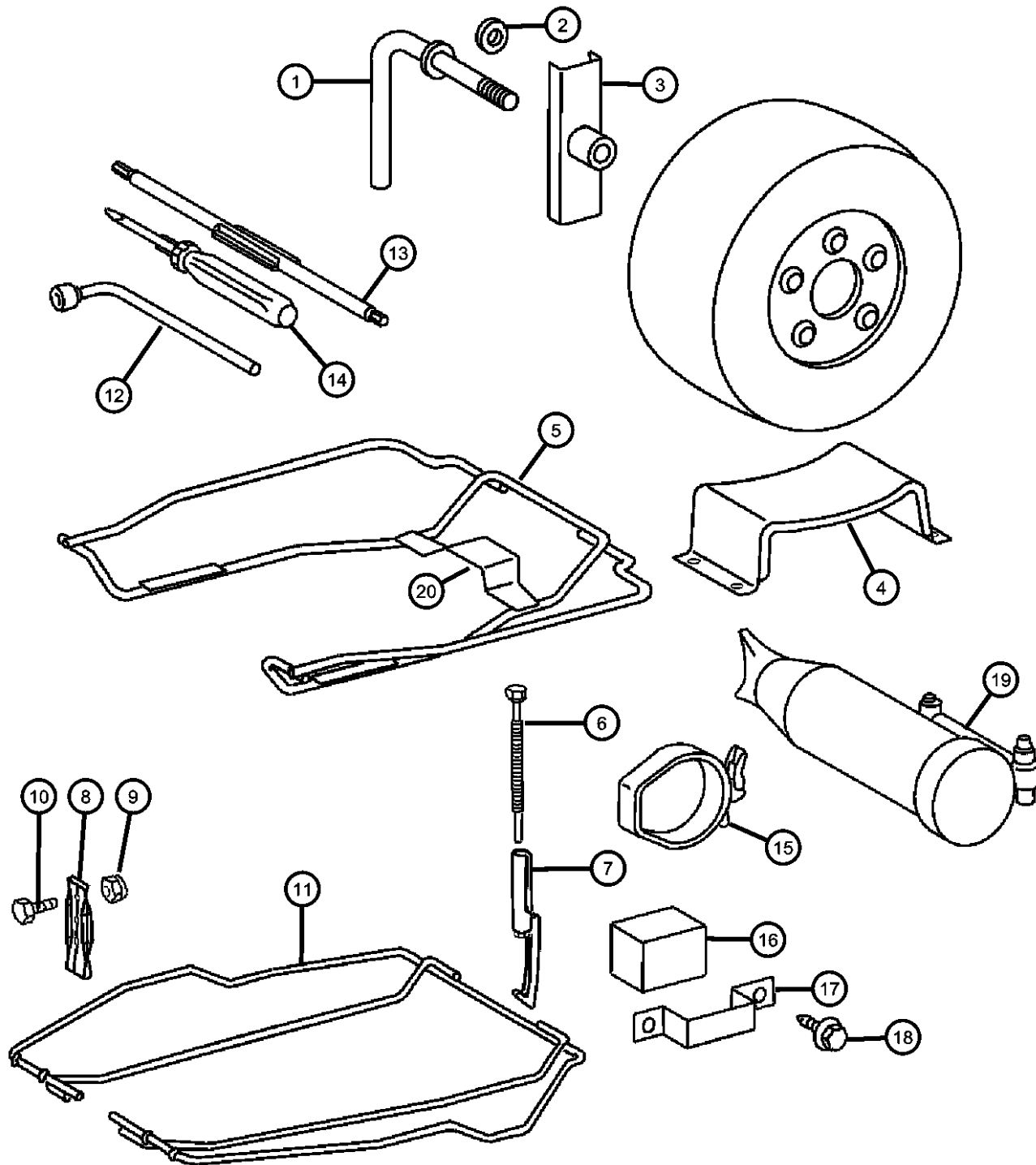
- [CFY] = 2 Rear Bench 2 Passenger Seat
- [TBN] = Underslung Tire Carrier
- [TNH] = P195/70R15 BSW All Season Tire
- [WDG] = 16x6 Steel Wheels
- [XEG] = Hydraulic Jack
- [XFQ] = Delete Hydraulic Jack
- [XL8] = Delete Tool Kit
- [4JR] = Dual Rear Wheel Chassis with 16" Tire
- [5AE] = 140" Wheelbase
- [5AF] = 158" Wheelbase

SPRINTER (VA)

SERIES	LINE	BODY	ENGINE	TRANSMISSION
L = LOWLINE	3 = HD DODGE 2WD 8 = HD DODGE 4WD 6 = Lt. Duty DODGE 4WD 2 = Med. Duty DODGE 2WD 7 = Med. Duty DODGE 4WD 4 = TRUCK	01 = CHASSIS FORWARD CONTROL W.B.1 02 = CAB CHASSIS WHEEL BASE 2 06 = CAB CHASSIS WHEEL BASE 6 11 = VAN WHEEL BASE 1 12 = VAN WHEEL BASE 2 51 = WAGON WHEEL BASE 1 52 = WAGON WHEEL BASE 2 14 = VAN WHEEL BASE 4 15 = VAN WHEEL BASE 5 54 = WAGON WHEEL BASE 4 55 = WAGON WHEEL BASE 5 56 = WAGON WHEEL BASE 6 16 = VAN WHEEL BASE 6	EX8 = 2.7L I5 Turbo Diesel Engine EX9 = 2.7L I5 Mercedes-Benz TD Engine	DGJ = 5-Speed Automatic MB Transmission DGZ = 4-Spd. Automatic MT643 Transmission

AR = use ase required - = Non illustrated part

Jack and Stowage
Figure 22-340



ITEM	PART NUMBER	QTY	LINE	SERIES	BODY	ENGINE	TRANS	TRIM	DESCRIPTION
6	05104082AA	2	2, 6	L	51, 52, 54, 55, 56				SCREW, Spare Tire [4E9+TUG+TBN]
		2	2, 6	L	11, 12, 14, 15, 16				[4E9+TUG+TBN]
7	05118920AA	2	2, 6	L	11, 12, 14, 15, 16				HOOK, Spare Tire Attach [TNH+TBN]
		2	2, 6	L	51, 52, 54, 55, 56				[TNH+TBN]
		2	3, 7	L	16				[5AF+TBN]
8	05119009AA	2	3, 7	L	12, 15, 16				PLATE, Spare Tire [TBN]
	05104081AA	2	2, 6	L	01, 02, 06				[TBN+WDG]
		2	2, 6	L	11, 12, 14, 15, 16				[TBN+WDG]
		2	2, 6	L	51, 52, 54, 55, 56				[TBN+WDG]
		2	3, 7	L	02, 06				[TBN]
9	05126237AA	4	2, 6	L	01, 02, 06				NUT, Hex [TBN+WDG]
		4	2, 6	L	11, 12, 14, 15, 16				[TBN+WDG]
		4	2, 6	L	51, 52, 54, 55, 56				[TBN+WDG]
		2	3, 7	L	02, 06				[TBN]
		2	3, 7	L	12, 15, 16				[TBN]
10	05104655AA	4	2, 6	L	01, 02, 06				BOLT [TBN+WDG]
		4	2, 6	L	16, 11, 12, 14, 15				[TBN+WDG]
		2	3, 7	L	02, 06				[TBN]
		2	3, 7	L	02, 06				[TBN]

SPRINTER (VA)

SERIES

L = LOWLINE

LINE

3 = HD DODGE 2WD
8 = HD DODGE 4WD
6 = Lt. Duty DODGE 4WD
2 = Med. Duty DODGE 2WD
7 = Med. Duty DODGE 4WD
4 = TRUCK

BODY

01 = CHASSIS FORWARD CONTROL W.B.1
02 = CAB CHASSIS WHEEL BASE 2
06 = CAB CHASSIS WHEEL BASE 6
11 = VAN WHEEL BASE 1
12 = VAN WHEEL BASE 2
51 = WAGON WHEEL BASE 1
52 = WAGON WHEEL BASE 2
14 = VAN WHEEL BASE 4
15 = VAN WHEEL BASE 5
54 = WAGON WHEEL BASE 4
55 = WAGON WHEEL BASE 5
56 = WAGON WHEEL BASE 6
16 = VAN WHEEL BASE 6

ENGINE

EX8 = 2.7L I5 Turbo Diesel Engine
EX9 = 2.7L I5 Mercedes-Benz TD Engine

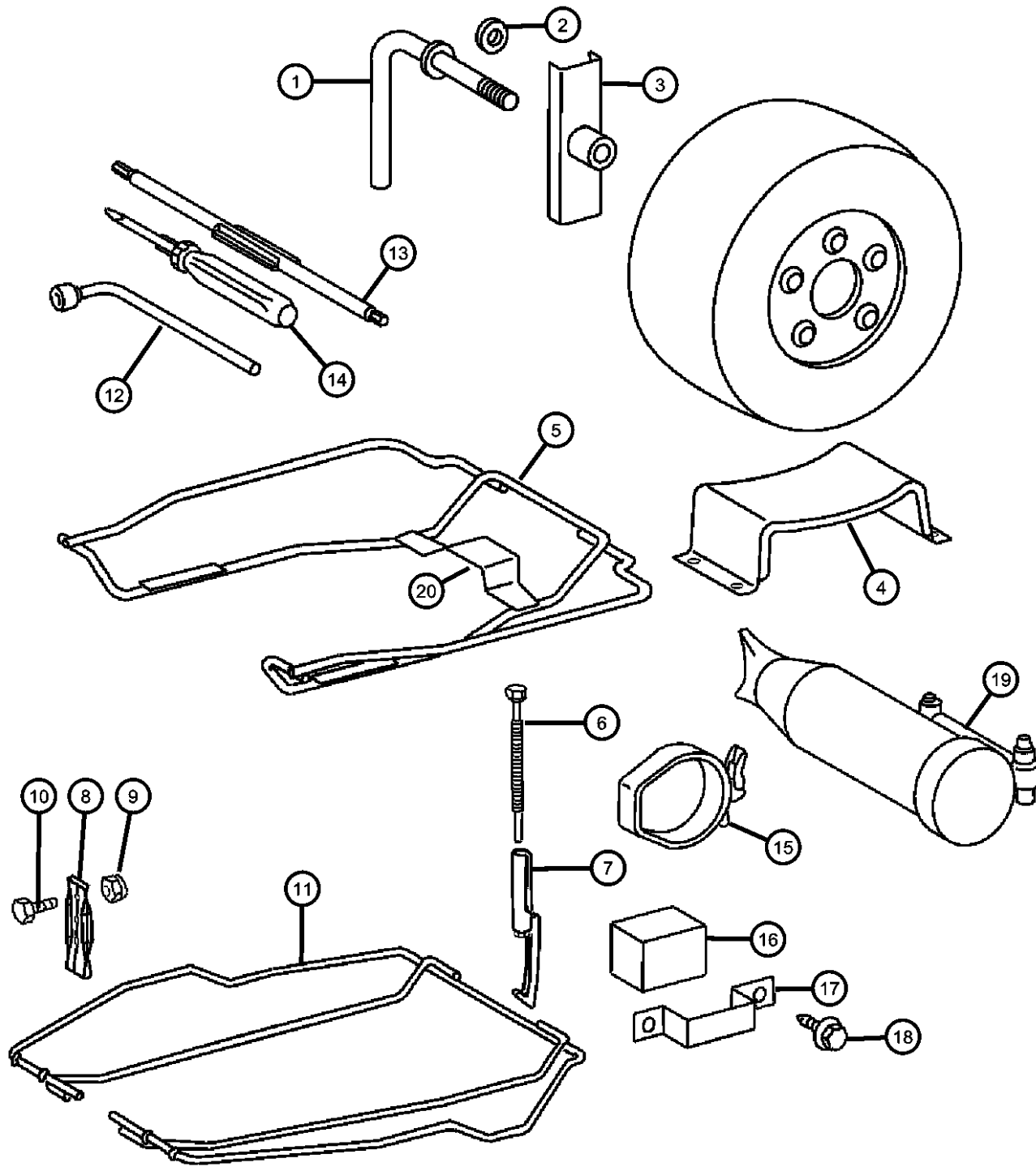
TRANSMISSION

DGJ = 5-Speed Automatic MB Transmission
DGZ = 4-Spd. Automatic MT643 Transmission

AR = use ase required - = Non illustrated part

2006 VA

Jack and Stowage
Figure 22-340



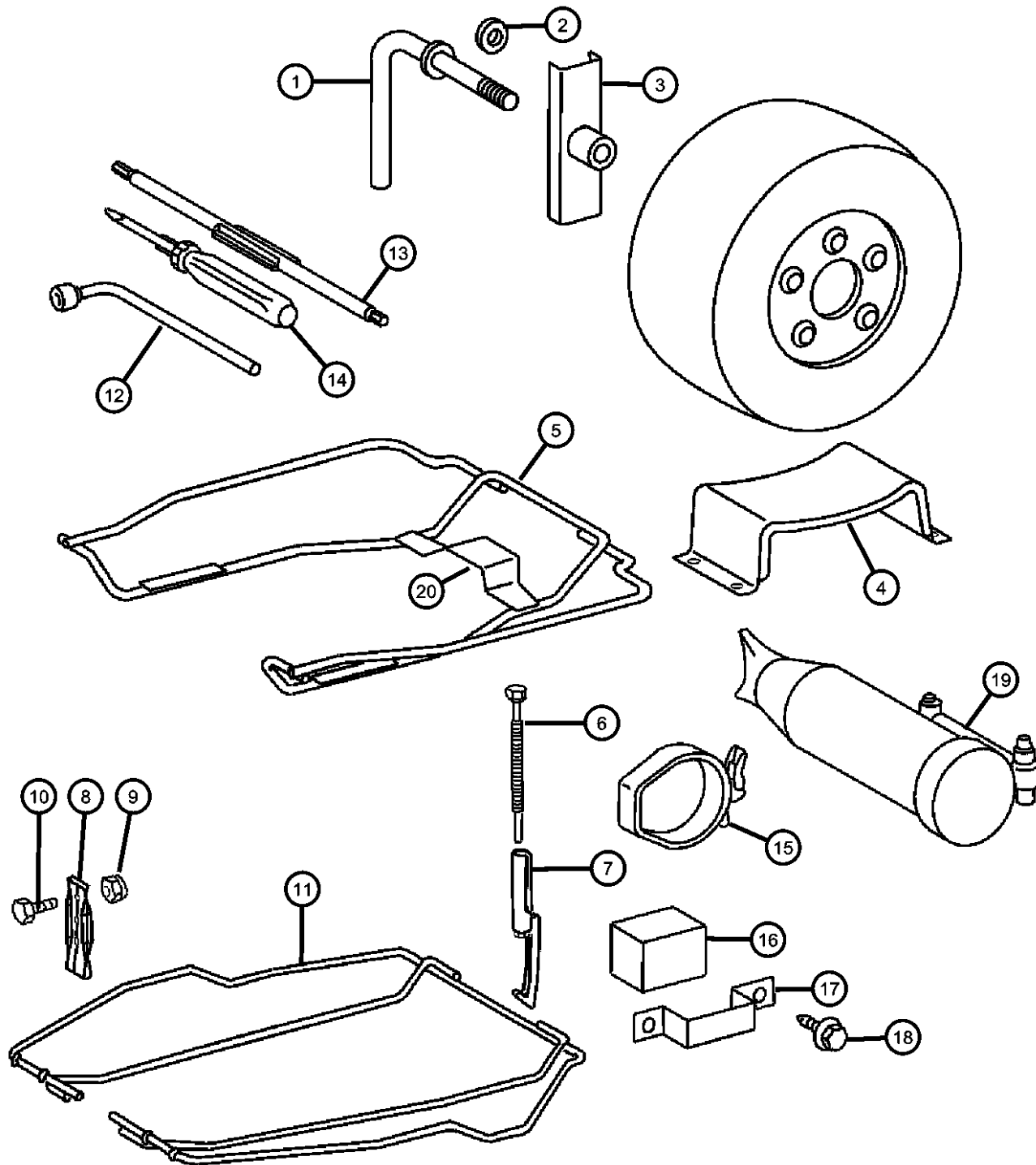
ITEM	PART NUMBER	QTY	LINE	SERIES	BODY	ENGINE	TRANS	TRIM	DESCRIPTION
		2	3, 7	L	12, 15, 16				[TBN]
		4	2, 6	L	51, 52, 54, 55, 56				[TBN+WDG]
11									SUPPORT, Spare Tire
	05104077AA	1	2, 6	L	01, 02, 06				[TBN]
		1	2, 6	L	11, 12, 14, 15, 16				[TBN]
		1	2, 6	L	51, 52, 54, 55, 56				[TBN]
12	05104078AA	1	3, 7	L	02, 06				[4E9+TUG+TBN]
									TOOL, Wrench
	05120992AA	1	2, 6	L	01, 02, 06				[4E9=(XEG=XFQ)-XL8]
		1	2, 6	L	11, 12, 14, 15, 16				[4E9=(XEG=XFQ)-XL8]
		1	2, 6	L	51, 52, 54, 55, 56				[4E9=(XEG=XFQ)-XL8]
13									TUBE, Spare Tire Winch
	05120994AA	1	2, 6	L	01, 02, 06				[-XL8]
		1	2, 6	L	11, 12, 14, 15, 16				[-XL8]
		1	2, 6	L	51, 52, 54, 55, 56				[-XL8]
		1	3, 7	L	02, 06				[XEG+XFQ]
		1	3, 7	L	12, 15, 16				[XEG+XFQ]
14		1							SCREWDRIVER, (NOT SERVICED),
15									BRACKET, Jack
	05125275AA	1	2, 6	L	01, 02, 06				[4E9+XEG]
		1	2, 6	L	11, 12, 14, 15, 16				[4E9+XEG]
		1	2, 6	L	51, 52, 54, 55, 56				[4E9+XEG]
16									PAD, Jack

SPRINTER (VA)

SERIES	LINE	BODY	ENGINE	TRANSMISSION
L = LOWLINE	3 = HD DODGE 2WD 8 = HD DODGE 4WD 6 = Lt. Duty DODGE 4WD 2 = Med. Duty DODGE 2WD 7 = Med. Duty DODGE 4WD 4 = TRUCK	01 = CHASSIS FORWARD CONTROL W.B.1 02 = CAB CHASSIS WHEEL BASE 2 06 = CAB CHASSIS WHEEL BASE 6 11 = VAN WHEEL BASE 1 12 = VAN WHEEL BASE 2 51 = WAGON WHEEL BASE 1 52 = WAGON WHEEL BASE 2 14 = VAN WHEEL BASE 4 15 = VAN WHEEL BASE 5 54 = WAGON WHEEL BASE 4 55 = WAGON WHEEL BASE 5 56 = WAGON WHEEL BASE 6 16 = VAN WHEEL BASE 6	EX8 = 2.7L I5 Turbo Diesel Engine EX9 = 2.7L I5 Mercedes-Benz TD Engine	DGJ = 5-Speed Automatic MB Transmission DGZ = 4-Spd. Automatic MT643 Transmission

AR = use ase required - = Non illustrated part

Jack and Stowage
Figure 22-340



ITEM	PART NUMBER	QTY	LINE	SERIES	BODY	ENGINE	TRANS	TRIM	DESCRIPTION
	05133292AA	1	2, 6	L	01, 02, 06				
		1	2, 6	L	11, 12, 14, 15, 16				
		1	2, 6	L	51, 52, 54, 55, 56				
		1	3, 7	L	02, 06				
17		1	3, 7	L	12, 15, 16				BRACKET, Jack
	05133293AA	1	2, 6	L	11, 12, 14, 15, 16				
		1	2, 6	L	51, 52, 54, 55, 56				
		1	3, 7	L	02, 06				
		1	2, 6	L	02, 06, 01				
		1	3, 7	L	12, 15, 16				
18									SCREW, Self-Tapping
	05133295AA	2	2, 6	L	11, 12, 14, 15, 16				
		2	2, 6	L	51, 52, 54, 55, 56				
		2	3, 7	L	12, 15, 16				
19									JACK
	05104587AA	1	2, 6	L	51, 52, 54, 55, 56				[4E9+XEG-(XFQ=XL8)]
		1	2, 6	L	01, 02, 06				[4E9+XEG]
		1	2, 6	L	11, 12, 14, 15, 16				[4E9+XEG]
		1	3, 7	L	02, 06				[XEG]
		1	3, 7	L	12, 15, 16				[XEG]
20	05140580AA	1	3, 7	L	06				BRACKET, Spare Tire, [5AF+TBN+4JR]

SPRINTER (VA)

SERIES

L = LOWLINE

LINE

3 = HD DODGE 2WD
8 = HD DODGE 4WD
6 = Lt. Duty DODGE 4WD
2 = Med. Duty DODGE 2WD
7 = Med. Duty DODGE 4WD
4 = TRUCK

BODY

01 = CHASSIS FORWARD CONTROL W.B.1
02 = CAB CHASSIS WHEEL BASE 2
06 = CAB CHASSIS WHEEL BASE 6
11 = VAN WHEEL BASE 1
12 = VAN WHEEL BASE 2
51 = WAGON WHEEL BASE 1
52 = WAGON WHEEL BASE 2
14 = VAN WHEEL BASE 4
15 = VAN WHEEL BASE 5
54 = WAGON WHEEL BASE 4
55 = WAGON WHEEL BASE 5
56 = WAGON WHEEL BASE 6
16 = VAN WHEEL BASE 6

ENGINE

EX8 = 2.7L I5 Turbo Diesel Engine
EX9 = 2.7L I5 Mercedes-Benz TD Engine

TRANSMISSION

DGJ = 5-Speed Automatic MB Transmission
DGZ = 4-Spd. Automatic MT643 Transmission

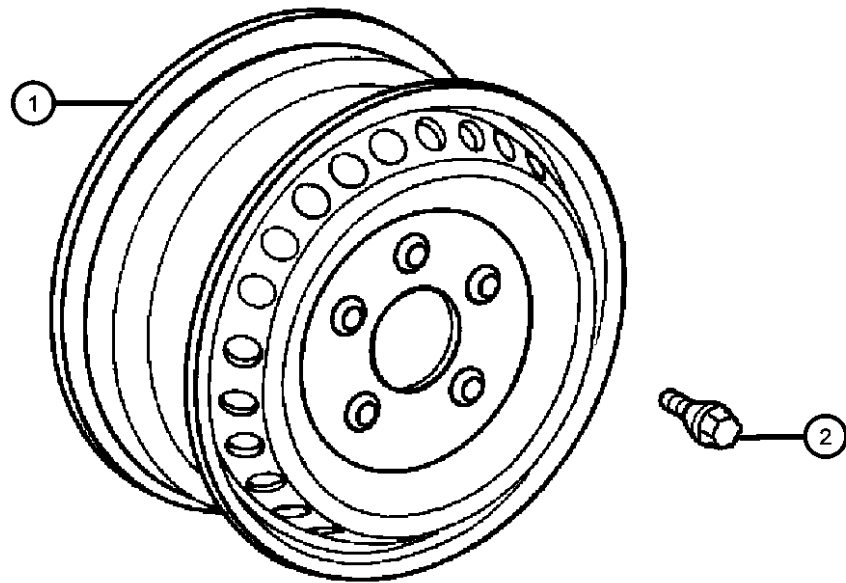
AR = use ase required - = Non illustrated part

2006 VA

**Wheel, Spare
Figure 22-430**

ITEM	PART NUMBER	QTY	LINE	SERIES	BODY	ENGINE	TRANS	TRIM	DESCRIPTION
------	-------------	-----	------	--------	------	--------	-------	------	-------------

NOTES: Sales Codes
 [AMC] = Federal Express Group
 [WCL] = 15X6 Steel Wheels
 [WDG] = 16X6 Steel Wheels
 [WLB] = Steel Spare Wheel
 [WWA] = Paintable Wheels
 [WWW] = Steel Arctic White Wheels
 [4JR] = Dual Rear Wheel Chassis with 16" Tire
 4XS] = National Version for USA
 [4Z1] = National Version for Canada



ITEM	PART NUMBER	QTY	LINE	SERIES	BODY	ENGINE	TRANS	TRIM	DESCRIPTION
1									WHEEL
	05103605AA	2	2, 6	L	01, 02, 06				[WCL+WWW+(4Z1=4XS)]
	05104581AA	1	3, 7	L	02, 06				[WCD+WLB]
		1	3, 7	L	12, 15, 16				[WCD+WLB]
	05128908AA	2	2, 6	L	01, 02, 06				[WDG+WWA+(4Z1=4XS)]
		2	2, 6	L	11, 12, 14, 15, 16				[WDG+WWA+(4Z1=4XS)]
	05128911AA	2	2, 6	L	01, 02, 06				[WDG+(4Z1=4XS)]
		2	2, 6	L	11, 12, 14, 15, 16				[WDG+(4Z1=4XS)]
	05142364AA	7	3, 7	L	02, 06				[WDG+4JR]
	05166588AA	2	3, 7	L	02, 06				[WDG+4JR+WWA]
2									BOLT
	05104080AA	20	2, 6	L	51, 52, 54, 55, 56				[WDG=WCL=WCL+WWW+AMC]
		20	2, 6	L	01, 02, 06				[WDG=WCL=WCL+WWW+AMC]
		20	2, 6	L	11, 12, 14, 15, 16				[WDG=WCL=WCL+WWW+AMC]

SPRINTER (VA)

SERIES	LINE	BODY	ENGINE	TRANSMISSION
L = LOWLINE	3 = HD DODGE 2WD 8 = HD DODGE 4WD 6 = Lt. Duty DODGE 4WD 2 = Med. Duty DODGE 2WD 7 = Med. Duty DODGE 4WD 4 = TRUCK	01 = CHASSIS FORWARD CONTROL W.B.1 02 = CAB CHASSIS WHEEL BASE 2 06 = CAB CHASSIS WHEEL BASE 6 11 = VAN WHEEL BASE 1 12 = VAN WHEEL BASE 2 51 = WAGON WHEEL BASE 1 52 = WAGON WHEEL BASE 2 14 = VAN WHEEL BASE 4 15 = VAN WHEEL BASE 5 54 = WAGON WHEEL BASE 4 55 = WAGON WHEEL BASE 5 56 = WAGON WHEEL BASE 6 16 = VAN WHEEL BASE 6	EX8 = 2.7L I5 Turbo Diesel Engine EX9 = 2.7L I5 Mercedes-Benz TD Engine	DGJ = 5-Speed Automatic MB Transmission DGZ = 4-Spd. Automatic MT643 Transmission

AR = use ase required - = Non illustrated part

Group - 23D

Wiper/Lock Cylinder and Keys

Group - 23D Wiper/Lock Cylinder and Keys

Illustration Title

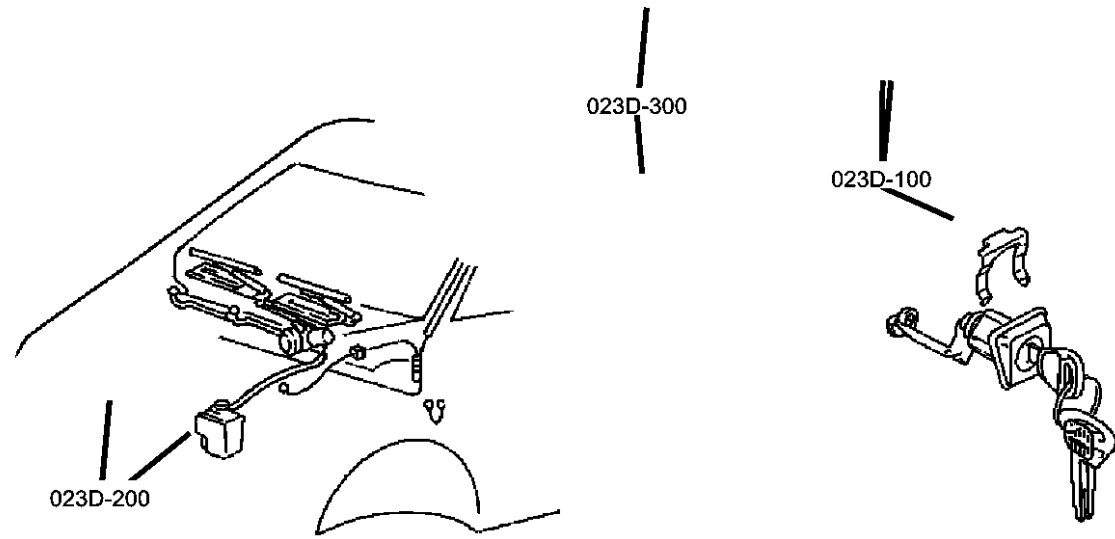
Group-Fig. No.

Lock Cylinders and Keys

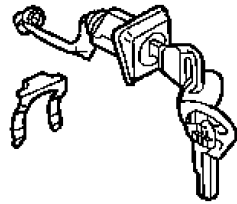
Lock Cylinders & ComponentsFig. 23D - 105

Windshield Wiper and Washer Systems

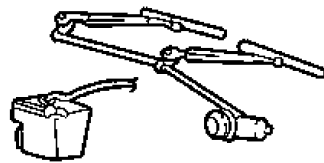
Windshield Wiper & Washer.....Fig. 23D - 205



23D-100
Lock Cylinders and Keys

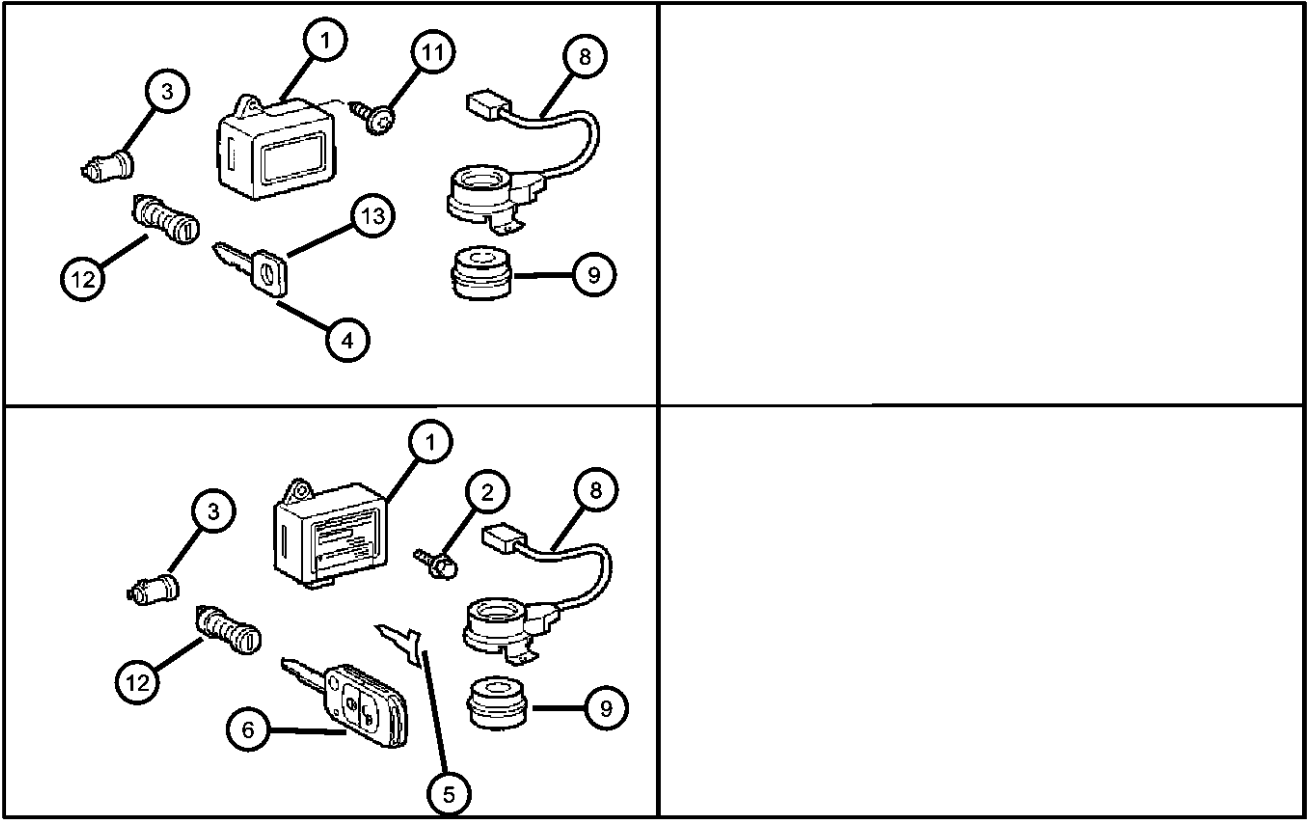


23D-200
Windshield Wiper and Washer Systems



Lock Cylinders & Components
Figure 23D-105

ITEM	PART NUMBER	QTY	LINE	SERIES	BODY	ENGINE	TRANS	TRIM	DESCRIPTION
1									WSP CONTROL UNIT, Remote Control Key
	05135344AA	1	2, 6		11, 12, 14, 15, 16				[SKREEM] Module / Immobilizer Without Sales Code [JPB]
		1	2, 6		51, 52, 54, 55, 56				[SKREEM] Module / Immobilizer Without Sales Code [JPB]
		1	3, 7		02, 06				[SKREEM] Module / Immobilizer Without Sales Code [JPB]
		1	3, 7		12, 15, 16				[SKREEM] Module / Immobilizer Without Sales Code [JPB]
	05135345AA	1	2, 6		11, 12, 14, 15, 16				[SKREEM] Module / Immobilizer Without Sales Code [JPB]
		1	2, 6		51, 52, 54, 55, 56				[SKREEM] Module / Immobilizer Without Sales Code [JPB]
2									BOLT, Door
	05126268AA	2	2, 6		11, 12, 14, 15, 16				
		2	2, 6		51, 52, 54, 55, 56				
		2	3, 7		02, 06				
		2	3, 7		12, 15, 16				
3									CYLINDER, Ignition Lock
	05114365AA	1	2, 6		11, 12, 14, 15, 16				
		1	2, 6		51, 52, 54, 55, 56				
		1	2, 6		01, 02, 06				
4									KEY
	05114363AA	1	2, 6		11, 12, 14, 15, 16				Key With No Remote WithOut Sales Code [GXY] Or [JPB]. Can Be Used As A Spare For Sales Code [JPB]
		1	2, 6		51, 52, 54, 55, 56				Key With No Remote WithOut Sales Code [GXY] Or [JPB]. Can Be Used As A Spare For Sales Code [JPB]



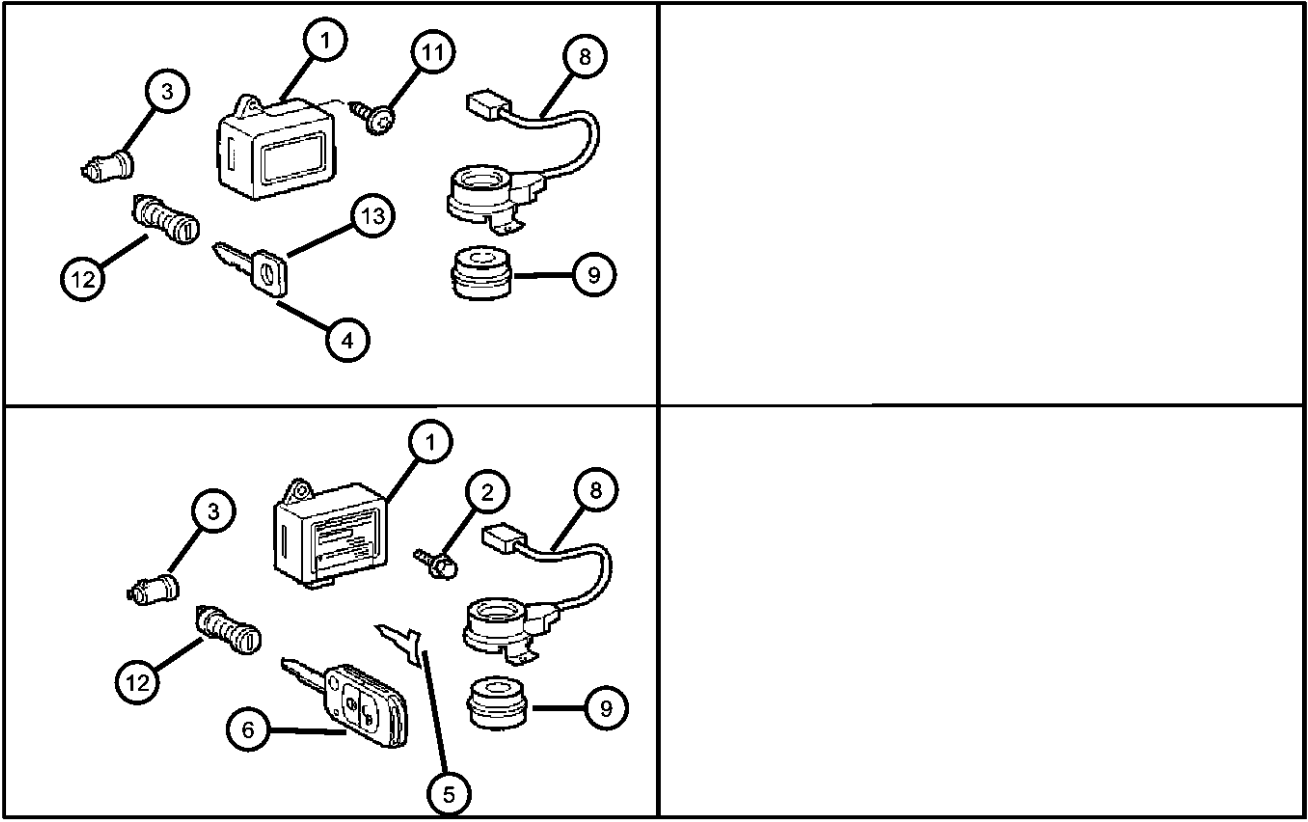
SPRINTER (VA)

SERIES	LINE	BODY	ENGINE	TRANSMISSION
L = LOWLINE	3 = HD DODGE 2WD 8 = HD DODGE 4WD 6 = Lt. Duty DODGE 4WD 2 = Med. Duty DODGE 2WD 7 = Med. Duty DODGE 4WD 4 = TRUCK	01 = CHASSIS FORWARD CONTROL W.B.1 02 = CAB CHASSIS WHEEL BASE 2 06 = CAB CHASSIS WHEEL BASE 6 11 = VAN WHEEL BASE 1 12 = VAN WHEEL BASE 2 51 = WAGON WHEEL BASE 1 52 = WAGON WHEEL BASE 2 14 = VAN WHEEL BASE 4 15 = VAN WHEEL BASE 5 54 = WAGON WHEEL BASE 4 55 = WAGON WHEEL BASE 5 56 = WAGON WHEEL BASE 6 16 = VAN WHEEL BASE 6	EX8 = 2.7L I5 Turbo Diesel Engine EX9 = 2.7L I5 Mercedes-Benz TD Engine	DGJ = 5-Speed Automatic MB Transmission DGZ = 4-Spd. Automatic MT643 Transmission

AR = use ase required - = Non illustrated part

Lock Cylinders & Components
Figure 23D-105

ITEM	PART NUMBER	QTY	LINE	SERIES	BODY	ENGINE	TRANS	TRIM	DESCRIPTION
		1	3, 7		02, 06				Key With No Remote WithOut Sales Code [GXY] Or [JPB]. Can Be Used As A Spare For Sales Code [JPB]
		1	3, 7		12, 15, 16				Key With No Remote WithOut Sales Code [GXY] Or [JPB]. Can Be Used As A Spare For Sales Code [JPB]
	5								KEY
	05114362AA	2	2, 6		11, 12, 14, 15, 16				Replacement Key [Blade] Only
		2	2, 6		51, 52, 54, 55, 56				Replacement Key [Blade] Only
		2	3, 7		12, 15, 16				Replacement Key [Blade] Only
		2	2, 6		01, 02, 06				Replacement Key [Blade] Only
		2	3, 7		02, 06				Replacement Key [Blade] Only
	6								KEY, Remote Control Complete
	05114361AA	4	2, 6		11, 12, 14, 15, 16				Remote Key With Blade For Sales Code [JPB] Only
		4	2, 6		51, 52, 54, 55, 56				Remote Key With Blade For Sales Code [JPB] Only
		2	3, 7		02, 06				Remote Key With Blade For Sales Code [JPB] Only
		2	3, 7		12, 15, 16				Remote Key With Blade For Sales Code [JPB] Only
	-7								BATTERY, Transmitter
	05103687AA	1	2, 3, 6, 7						TRANSPONDER, Steering Wheel
	8								
	05120812AA	1	2, 6		11, 12, 14, 15, 16				
		1	2, 6		51, 52, 54, 55, 56				
		1	3, 7		02, 06				
	9								RING
	05104593AA	1	2, 6		11, 12, 14, 15, 16				



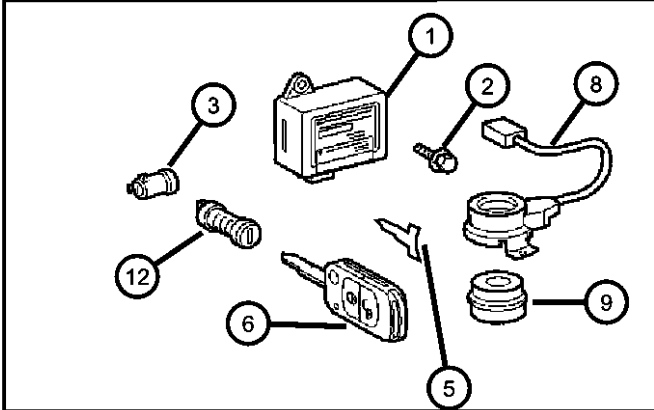
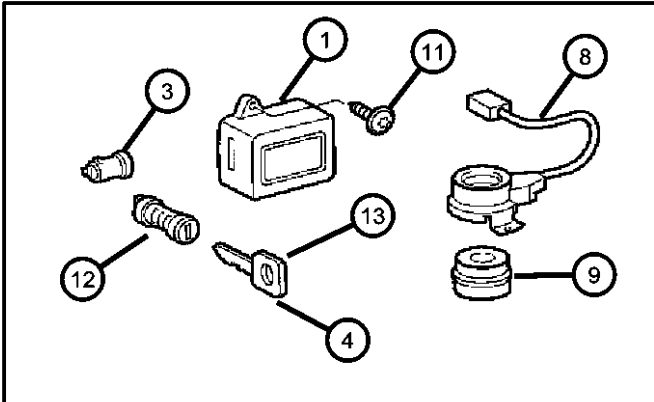
SPRINTER (VA)

SERIES	LINE	BODY	ENGINE	TRANSMISSION
L = LOWLINE	3 = HD DODGE 2WD 8 = HD DODGE 4WD 6 = Lt. Duty DODGE 4WD 2 = Med. Duty DODGE 2WD 7 = Med. Duty DODGE 4WD 4 = TRUCK	01 = CHASSIS FORWARD CONTROL W.B.1 02 = CAB CHASSIS WHEEL BASE 2 06 = CAB CHASSIS WHEEL BASE 6 11 = VAN WHEEL BASE 1 12 = VAN WHEEL BASE 2 51 = WAGON WHEEL BASE 1 52 = WAGON WHEEL BASE 2 14 = VAN WHEEL BASE 4 15 = VAN WHEEL BASE 5 54 = WAGON WHEEL BASE 4 55 = WAGON WHEEL BASE 5 56 = WAGON WHEEL BASE 6 16 = VAN WHEEL BASE 6	EX8 = 2.7L I5 Turbo Diesel Engine EX9 = 2.7L I5 Mercedes-Benz TD Engine	DGJ = 5-Speed Automatic MB Transmission DGZ = 4-Spd. Automatic MT643 Transmission

AR = use ase required - = Non illustrated part

Lock Cylinders & Components
Figure 23D-105

ITEM	PART NUMBER	QTY	LINE	SERIES	BODY	ENGINE	TRANS	TRIM	DESCRIPTION
		1	2, 6		51, 52, 54, 55, 56				
		1	3, 7		02, 06				
-10	05103651AA	1	2, 6		11, 12, 14, 15, 16				RING Retaining Ring
		1	2, 6		51, 52, 54, 55, 56				Retaining Ring
		1	3, 7		02, 06				Retaining Ring
11	05126095AA	1	2, 6		51, 52, 54, 55, 56				SCREW, Tapping
		6	2, 6		11, 12, 14, 15, 16				
		1	3, 7		02, 06				
12	05114364AA	1	2, 6		11, 12, 14, 15, 16				CYLINDER, Door Lock
		1	3, 7		02, 06				
13	05127746AA	1							KEY, Blank, Mechanical Key [UPS] Only With Sales Code [GXY]

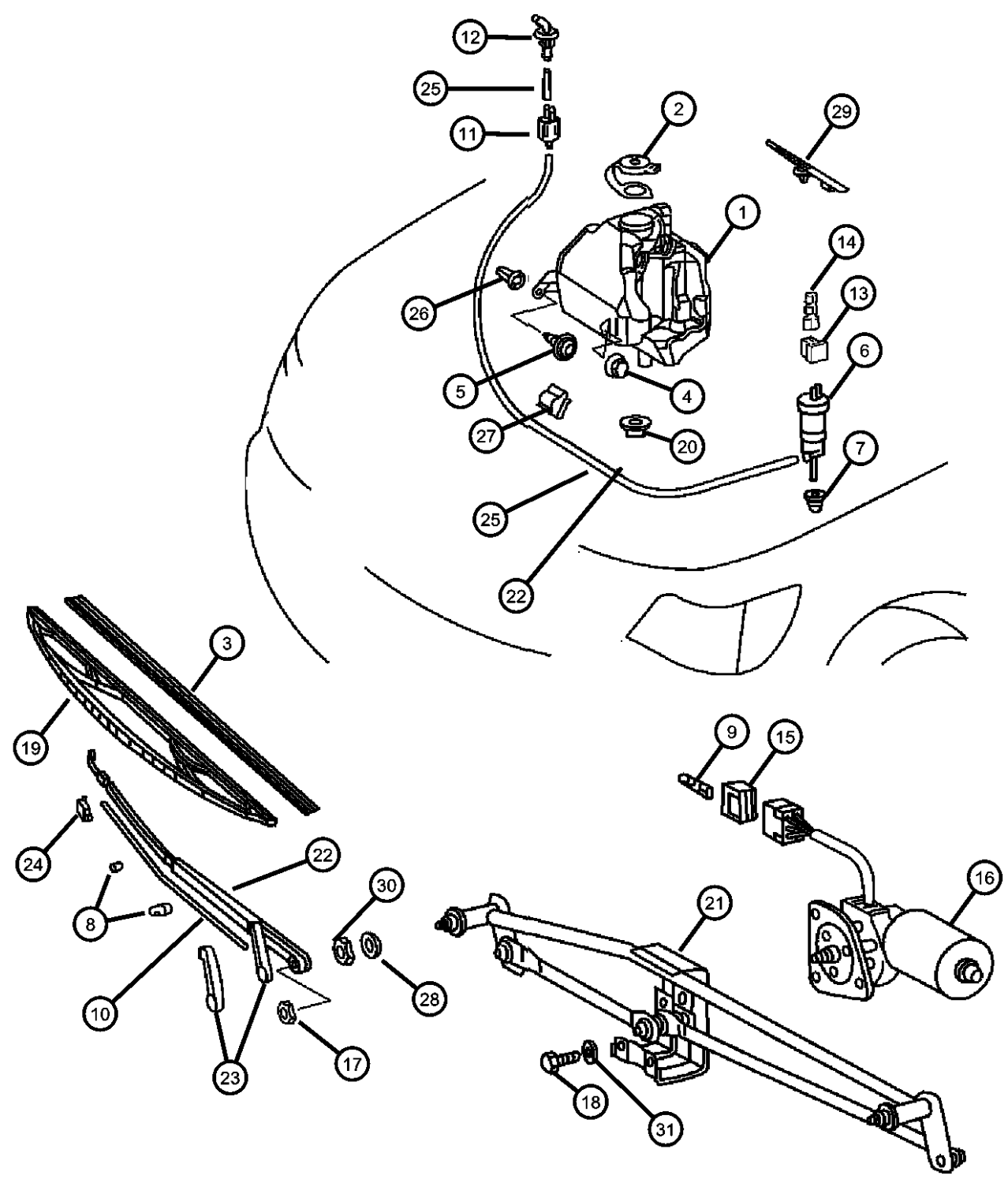


SPRINTER (VA)

SERIES	LINE	BODY	ENGINE	TRANSMISSION
L = LOWLINE	3 = HD DODGE 2WD 8 = HD DODGE 4WD 6 = Lt. Duty DODGE 4WD 2 = Med. Duty DODGE 2WD 7 = Med. Duty DODGE 4WD 4 = TRUCK	01 = CHASSIS FORWARD CONTROL W.B.1 02 = CAB CHASSIS WHEEL BASE 2 06 = CAB CHASSIS WHEEL BASE 6 11 = VAN WHEEL BASE 1 12 = VAN WHEEL BASE 2 51 = WAGON WHEEL BASE 1 52 = WAGON WHEEL BASE 2 14 = VAN WHEEL BASE 4 15 = VAN WHEEL BASE 5 54 = WAGON WHEEL BASE 4 55 = WAGON WHEEL BASE 5 56 = WAGON WHEEL BASE 6 16 = VAN WHEEL BASE 6	EX8 = 2.7L I5 Turbo Diesel Engine EX9 = 2.7L I5 Mercedes-Benz TD Engine	DGJ = 5-Speed Automatic MB Transmission DGZ = 4-Spd. Automatic MT643 Transmission

AR = use ase required - = Non illustrated part

**Windshield Wiper & Washer
Figure 23D-205**



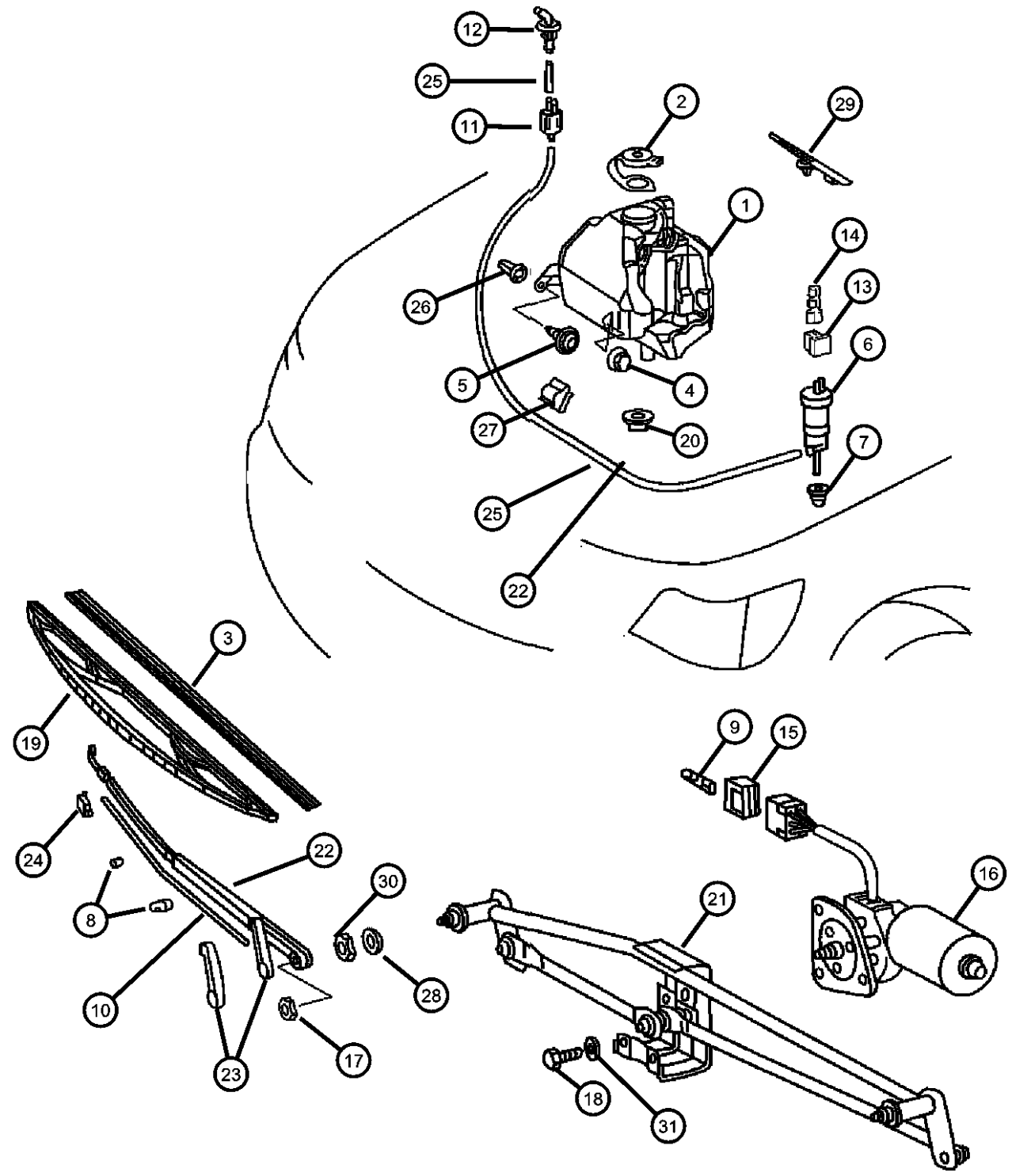
ITEM	PART NUMBER	QTY	LINE	SERIES	BODY	ENGINE	TRANS	TRIM	DESCRIPTION
1	05104503AA	1	2, 6		01, 02, 06				RESERVOIR, Washer
		1	2, 6		11, 12, 14, 15, 16				
		1	2, 6		51, 52, 54, 55, 56				
		1	3, 7		02, 06				
		1	3, 7		12, 15, 16				
2	05125059AA	1	2, 6		01, 02, 06				CAP, Washer Reservoir
		1	2, 6		11, 12, 14, 15, 16				
		1	2, 6		51, 52, 54, 55, 56				
		1	3, 7		02, 06				
		1	3, 7		12, 15, 16				
3	05133992AA	2	2, 6		01, 02, 06				REFILL, Wiper Blade
	WBW00024AD								Mopar Alternative Winter Wiper Blades
	WBW00022AD								Mopar Alternative Winter Wiper Blades
	WB000024AE								Mopar V-Line Alternative Part
	WB000022AE								Mopar V-Line Alternative Part
	WB-BLU022AA								Mopar Alternative Color Wiper Blade (Blue)
	WBRED022AA								Mopar Alternative Color Wiper Blade (Red)
	WBYEL022AA								Mopar Alternative Color Wiper Blade (Yellow)
	WB-WHI022AA								Mopar Alternative Color Wiper Blade (White)
	WB-CAR022AA								Mopar Alternative Color Wiper Blade (Carbon Fiber)

SPRINTER (VA)

SERIES	LINE	BODY	ENGINE	TRANSMISSION
L = LOWLINE	3 = HD DODGE 2WD 8 = HD DODGE 4WD 6 = Lt. Duty DODGE 4WD 2 = Med. Duty DODGE 2WD 7 = Med. Duty DODGE 4WD 4 = TRUCK	01 = CHASSIS FORWARD CONTROL W.B.1 02 = CAB CHASSIS WHEEL BASE 2 06 = CAB CHASSIS WHEEL BASE 6 11 = VAN WHEEL BASE 1 12 = VAN WHEEL BASE 2 51 = WAGON WHEEL BASE 1 52 = WAGON WHEEL BASE 2 14 = VAN WHEEL BASE 4 15 = VAN WHEEL BASE 5 54 = WAGON WHEEL BASE 4 55 = WAGON WHEEL BASE 5 56 = WAGON WHEEL BASE 6 16 = VAN WHEEL BASE 6	EX8 = 2.7L I5 Turbo Diesel Engine EX9 = 2.7L I5 Mercedes-Benz TD Engine	DGJ = 5-Speed Automatic MB Transmission DGZ = 4-Spd. Automatic MT643 Transmission

AR = use ase required - = Non illustrated part

**Windshield Wiper & Washer
Figure 23D-205**



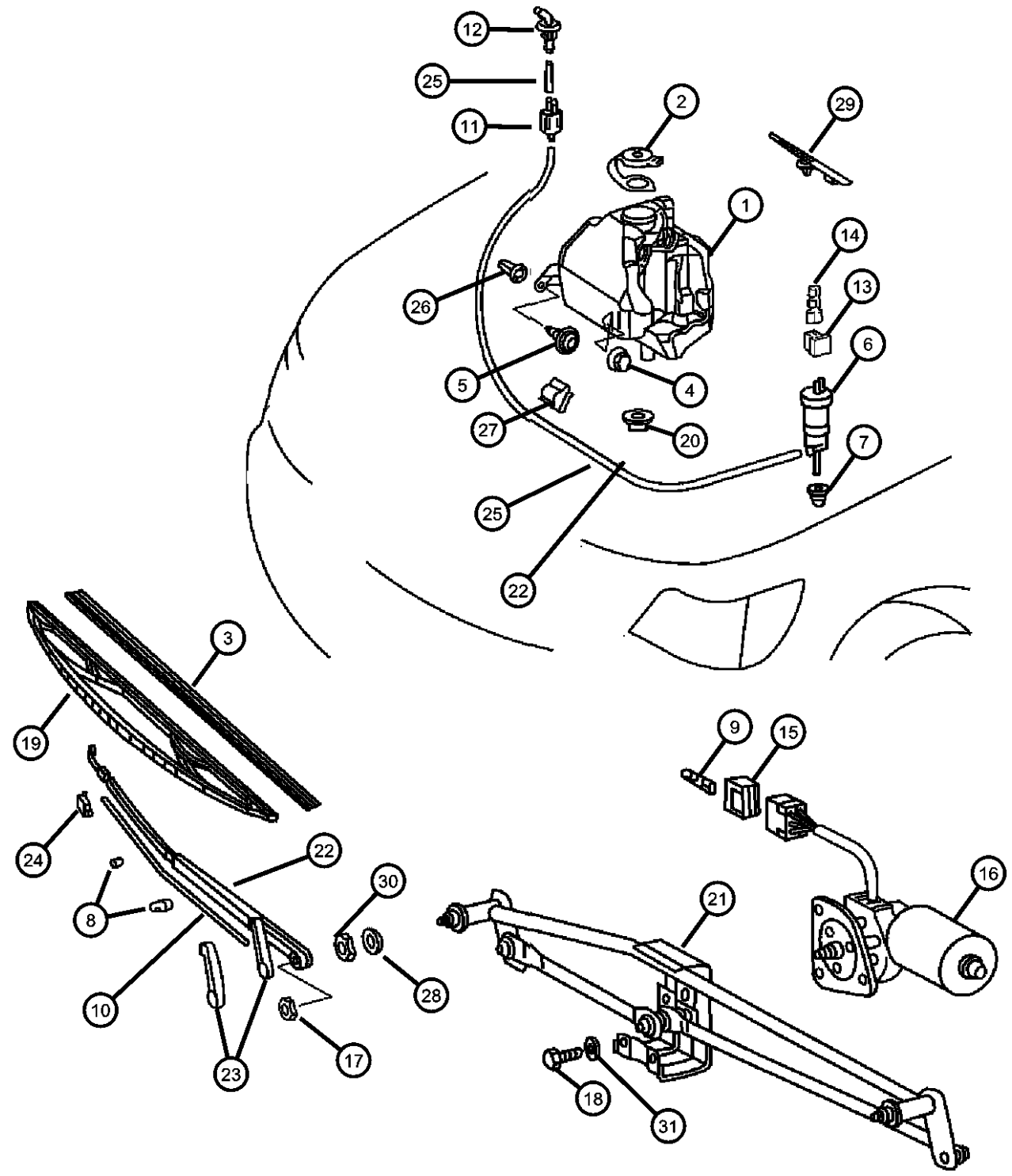
ITEM	PART NUMBER	QTY	LINE	SERIES	BODY	ENGINE	TRANS	TRIM	DESCRIPTION
------	-------------	-----	------	--------	------	--------	-------	------	-------------

	WB-BLU024AA								Mopar Alternative Color Wiper Blade (Blue)
	WBRED024AA								Mopar Alternative Color Wiper Blade (Red)
	WBYEL024AA								Mopar Alternative Color Wiper Blade (Yellow)
	WB-WHI024AA								Mopar Alternative Color Wiper Blade (White)
	WB-CAR024AA								Mopar Alternative Color Wiper Blade (Carbon Fiber)
		2	2, 6		11, 12, 14, 15, 16				
	WBW00024AD								Mopar Alternative Winter Wiper Blades
	WBW00022AD								Mopar Alternative Winter Wiper Blades
	WB000024AE								Mopar V-Line Alternative Part
	WB000022AE								Mopar V-Line Alternative Part
	WB-BLU022AA								Mopar Alternative Color Wiper Blade (Blue)
	WBRED022AA								Mopar Alternative Color Wiper Blade (Red)
	WBYEL022AA								Mopar Alternative Color Wiper Blade (Yellow)
	WB-WHI022AA								Mopar Alternative Color Wiper Blade (White)
	WB-CAR022AA								Mopar Alternative Color Wiper Blade (Carbon Fiber)
	WB-BLU024AA								Mopar Alternative Color Wiper Blade (Blue)
	WBRED024AA								Mopar Alternative Color Wiper Blade (Red)
	WBYEL024AA								Mopar Alternative Color Wiper Blade (Yellow)
	WB-WHI024AA								Mopar Alternative Color Wiper Blade (White)

SPRINTER (VA)		BODY		ENGINE		TRANSMISSION	
SERIES	LINE						
L = LOWLINE	3 = HD DODGE 2WD	01 = CHASSIS FORWARD CONTROL W.B.1	EX8 = 2.7L I5 Turbo Diesel Engine	DGJ = 5-Speed Automatic MB Transmission			
	8 = HD DODGE 4WD	02 = CAB CHASSIS WHEEL BASE 2	EX9 = 2.7L I5 Mercedes-Benz TD Engine	DGZ = 4-Spd. Automatic MT643 Transmission			
	6 = Lt. Duty DODGE 4WD	06 = CAB CHASSIS WHEEL BASE 6					
	2 = Med. Duty DODGE 2WD	11 = VAN WHEEL BASE 1					
	7 = Med. Duty DODGE 4WD	12 = VAN WHEEL BASE 2					
	4 = TRUCK	51 = WAGON WHEEL BASE 1					
		52 = WAGON WHEEL BASE 2					
		14 = VAN WHEEL BASE 4					
		15 = VAN WHEEL BASE 5					
		54 = WAGON WHEEL BASE 4					
		55 = WAGON WHEEL BASE 5					
		56 = WAGON WHEEL BASE 6					
		16 = VAN WHEEL BASE 6					

AR = use ase required - = Non illustrated part

**Windshield Wiper & Washer
Figure 23D-205**



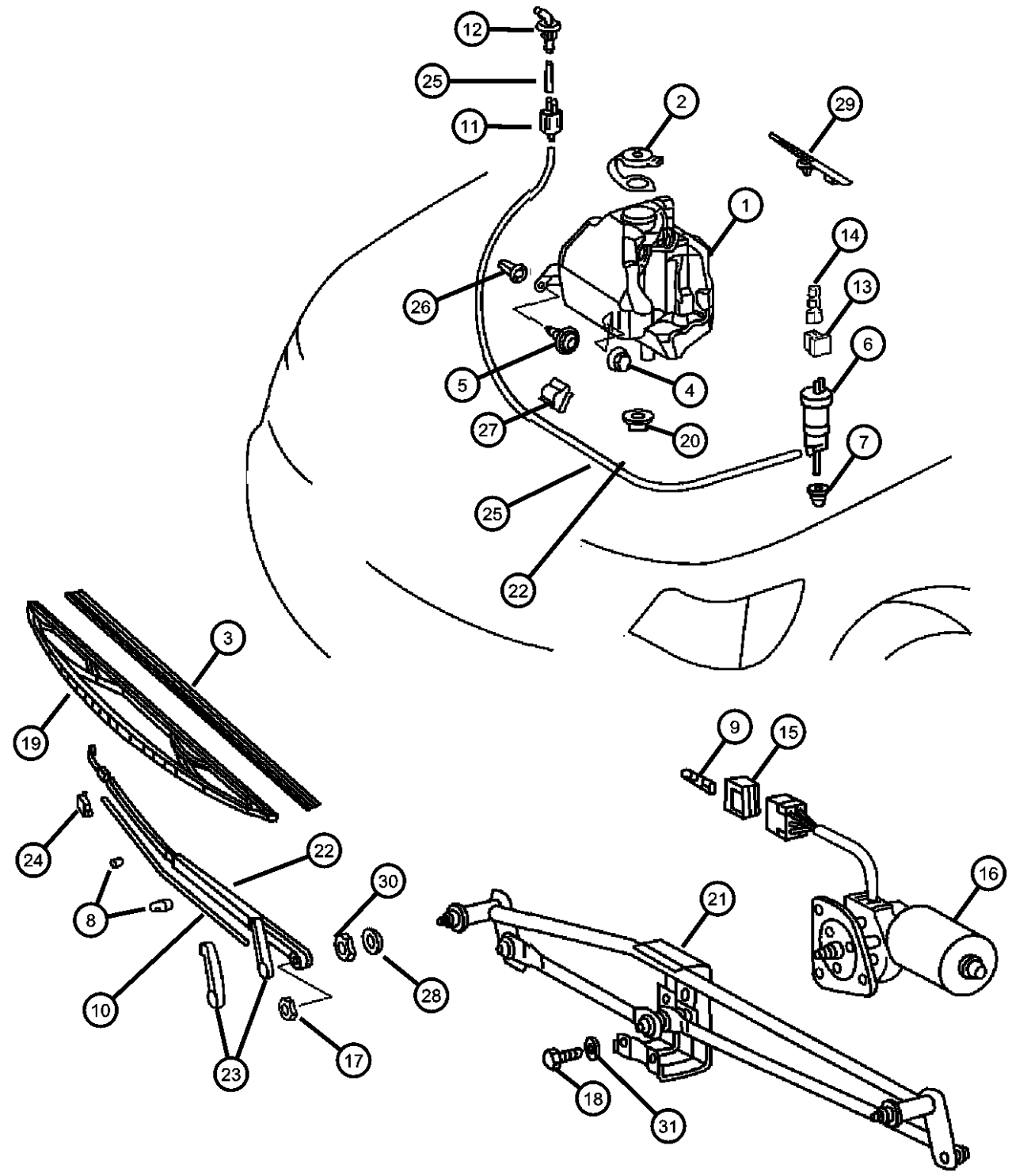
ITEM	PART NUMBER	QTY	LINE	SERIES	BODY	ENGINE	TRANS	TRIM	DESCRIPTION
	WB-CAR024AA	2	2, 6		51, 52, 54, 55, 56				Mopar Alternative Color Wiper Blade (Carbon Fiber)
	WBW00024AD								Mopar Alternative Winter Wiper Blades
	WBW00022AD								Mopar Alternative Winter Wiper Blades
	WB000024AE								Mopar V-Line Alternative Part
	WB000022AE								Mopar V-Line Alternative Part
	WB-BLU022AA								Mopar Alternative Color Wiper Blade (Blue)
	WBRED022AA								Mopar Alternative Color Wiper Blade (Red)
	WBYEL022AA								Mopar Alternative Color Wiper Blade (Yellow)
	WB-WHI022AA								Mopar Alternative Color Wiper Blade (White)
	WB-CAR022AA								Mopar Alternative Color Wiper Blade (Carbon Fiber)
	WB-BLU024AA								Mopar Alternative Color Wiper Blade (Blue)
	WBRED024AA								Mopar Alternative Color Wiper Blade (Red)
	WBYEL024AA								Mopar Alternative Color Wiper Blade (Yellow)
	WB-WHI024AA								Mopar Alternative Color Wiper Blade (White)
	WB-CAR024AA	2	3, 7		02, 06				Mopar Alternative Color Wiper Blade (Carbon Fiber)
	WBW00024AD								Mopar Alternative Winter Wiper Blades
	WBW00022AD								Mopar Alternative Winter Wiper Blades
	WB000024AE								Mopar V-Line Alternative Part

SPRINTER (VA)

SERIES	LINE	BODY	ENGINE	TRANSMISSION
L = LOWLINE	3 = HD DODGE 2WD 8 = HD DODGE 4WD 6 = Lt. Duty DODGE 4WD 2 = Med. Duty DODGE 2WD 7 = Med. Duty DODGE 4WD 4 = TRUCK	01 = CHASSIS FORWARD CONTROL W.B.1 02 = CAB CHASSIS WHEEL BASE 2 06 = CAB CHASSIS WHEEL BASE 6 11 = VAN WHEEL BASE 1 12 = VAN WHEEL BASE 2 51 = WAGON WHEEL BASE 1 52 = WAGON WHEEL BASE 2 14 = VAN WHEEL BASE 4 15 = VAN WHEEL BASE 5 54 = WAGON WHEEL BASE 4 55 = WAGON WHEEL BASE 5 56 = WAGON WHEEL BASE 6 16 = VAN WHEEL BASE 6	EX8 = 2.7L I5 Turbo Diesel Engine EX9 = 2.7L I5 Mercedes-Benz TD Engine	DGJ = 5-Speed Automatic MB Transmission DGZ = 4-Spd. Automatic MT643 Transmission

AR = use ase required - = Non illustrated part

**Windshield Wiper & Washer
Figure 23D-205**



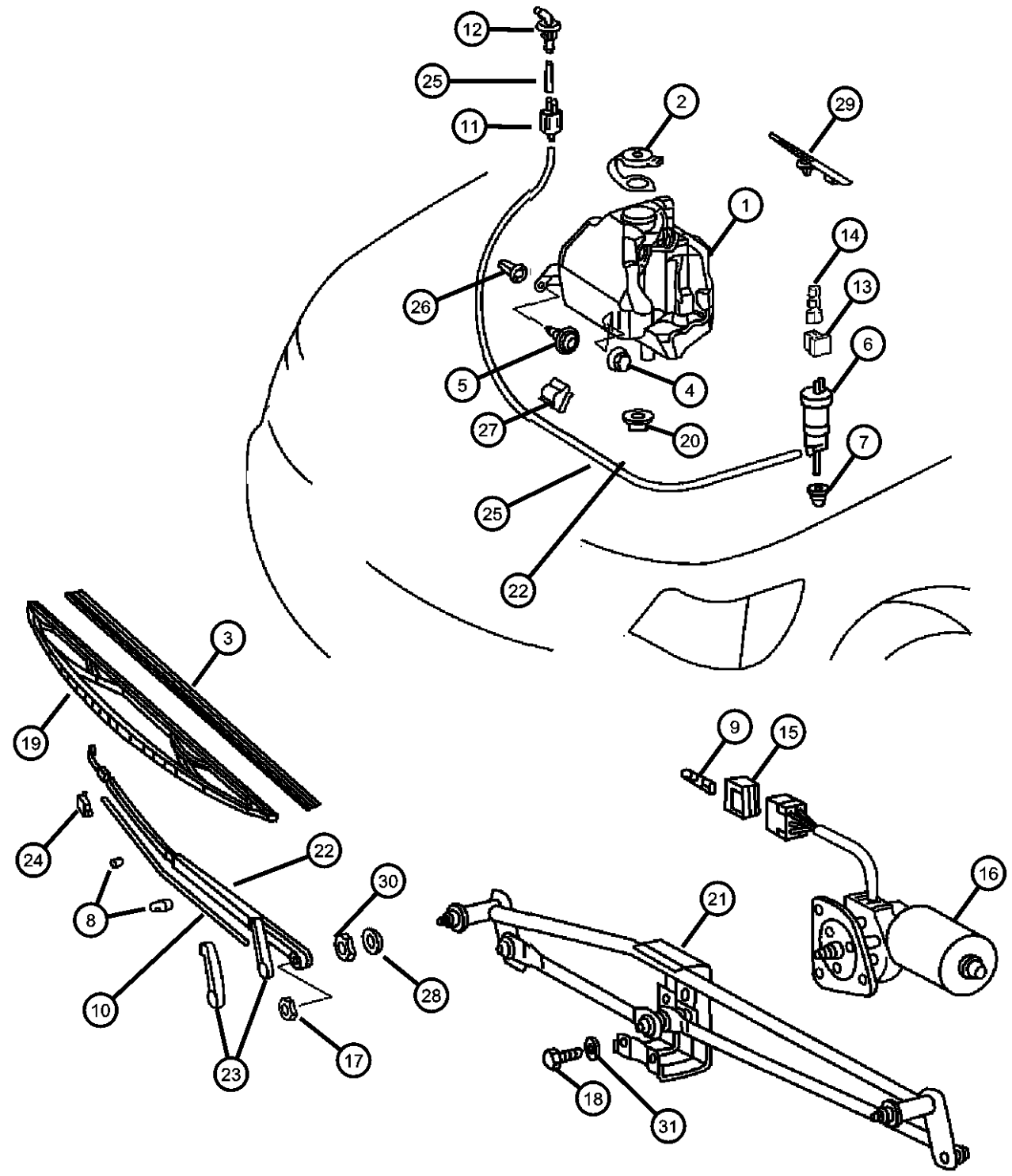
ITEM	PART NUMBER	QTY	LINE	SERIES	BODY	ENGINE	TRANS	TRIM	DESCRIPTION
	WB000022AE								Mopar V-Line Alternative Part
	WB-BLU022AA								Mopar Alternative Color Wiper Blade (Blue)
	WBRED022AA								Mopar Alternative Color Wiper Blade (Red)
	WBYEL022AA								Mopar Alternative Color Wiper Blade (Yellow)
	WB-WHI022AA								Mopar Alternative Color Wiper Blade (White)
	WB-CAR022AA								Mopar Alternative Color Wiper Blade (Carbon Fiber)
	WB-BLU024AA								Mopar Alternative Color Wiper Blade (Blue)
	WBRED024AA								Mopar Alternative Color Wiper Blade (Red)
	WBYEL024AA								Mopar Alternative Color Wiper Blade (Yellow)
	WB-WHI024AA								Mopar Alternative Color Wiper Blade (White)
	WB-CAR024AA								Mopar Alternative Color Wiper Blade (Carbon Fiber)
	WBW00024AD	2	3, 7		12, 15, 16				Mopar Alternative Winter Wiper Blades
	WBW00022AD								Mopar Alternative Winter Wiper Blades
	WB000024AE								Mopar V-Line Alternative Part
	WB000022AE								Mopar V-Line Alternative Part
	WB-BLU022AA								Mopar Alternative Color Wiper Blade (Blue)
	WBRED022AA								Mopar Alternative Color Wiper Blade (Red)
	WBYEL022AA								Mopar Alternative Color Wiper Blade (Yellow)
	WB-WHI022AA								Mopar Alternative Color Wiper Blade (White)

SPRINTER (VA)

SERIES	LINE	BODY	ENGINE	TRANSMISSION
L = LOWLINE	3 = HD DODGE 2WD 8 = HD DODGE 4WD 6 = Lt. Duty DODGE 4WD 2 = Med. Duty DODGE 2WD 7 = Med. Duty DODGE 4WD 4 = TRUCK	01 = CHASSIS FORWARD CONTROL W.B.1 02 = CAB CHASSIS WHEEL BASE 2 06 = CAB CHASSIS WHEEL BASE 6 11 = VAN WHEEL BASE 1 12 = VAN WHEEL BASE 2 51 = WAGON WHEEL BASE 1 52 = WAGON WHEEL BASE 2 14 = VAN WHEEL BASE 4 15 = VAN WHEEL BASE 5 54 = WAGON WHEEL BASE 4 55 = WAGON WHEEL BASE 5 56 = WAGON WHEEL BASE 6 16 = VAN WHEEL BASE 6	EX8 = 2.7L I5 Turbo Diesel Engine EX9 = 2.7L I5 Mercedes-Benz TD Engine	DGJ = 5-Speed Automatic MB Transmission DGZ = 4-Spd. Automatic MT643 Transmission

AR = use ase required - = Non illustrated part

**Windshield Wiper & Washer
Figure 23D-205**



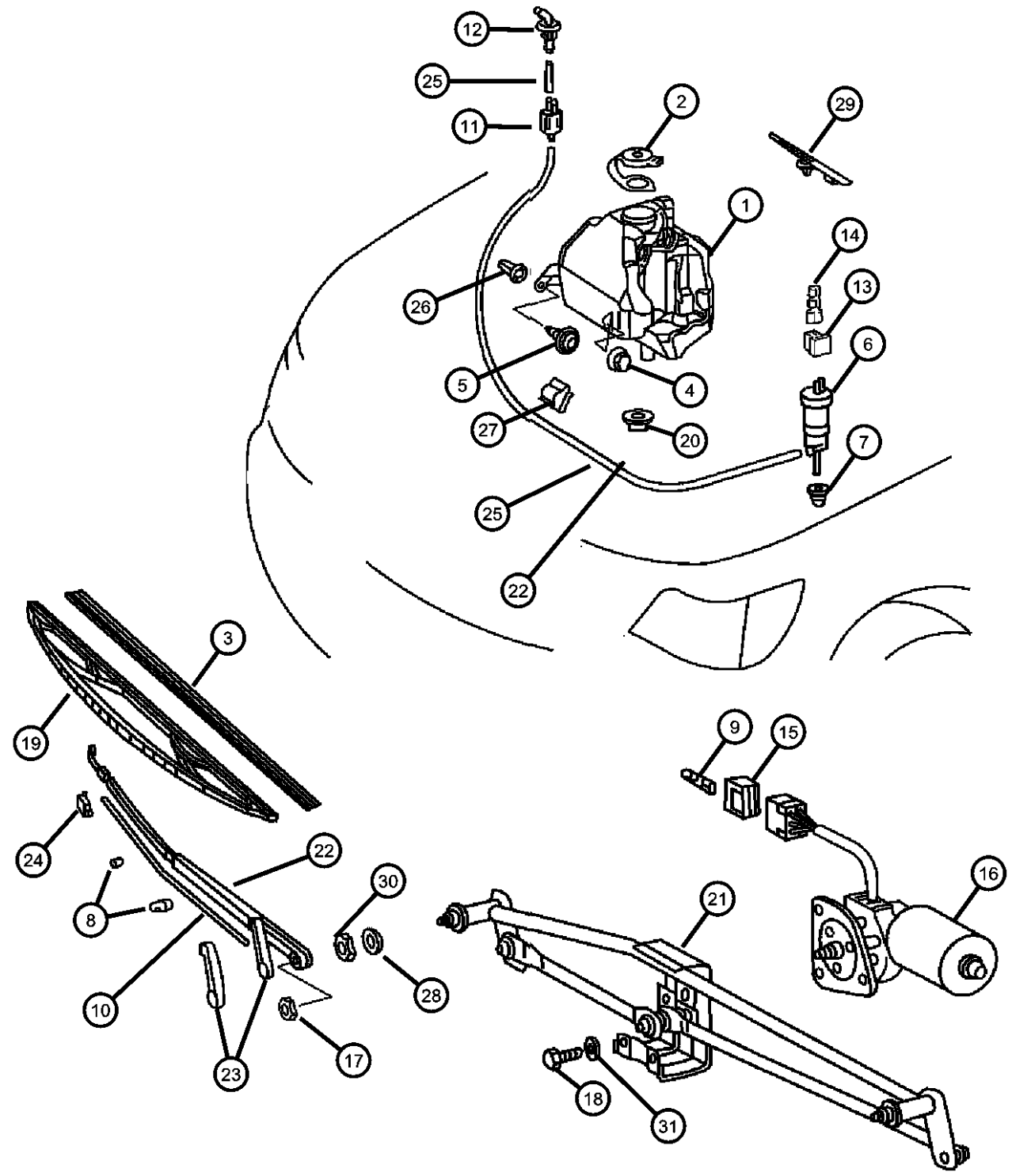
ITEM	PART NUMBER	QTY	LINE	SERIES	BODY	ENGINE	TRANS	TRIM	DESCRIPTION
	WB-CAR022AA								Mopar Alternative Color Wiper Blade (Carbon Fiber)
	WB-BLU024AA								Mopar Alternative Color Wiper Blade (Blue)
	WBRED024AA								Mopar Alternative Color Wiper Blade (Red)
	WBYEL024AA								Mopar Alternative Color Wiper Blade (Yellow)
	WB-WHI024AA								Mopar Alternative Color Wiper Blade (White)
	WB-CAR024AA								Mopar Alternative Color Wiper Blade (Carbon Fiber)
4									NUT, Hex, M6
	05096978AA	1	2, 6		01, 02, 06				
		1	3, 7		02, 06				
5									SCREW
	05135134AA	2	2, 6		11, 12, 14, 15, 16				
		2	2, 6		51, 52, 54, 55, 56				
	06104285AA	2	3, 7		02, 06				
		2	3, 7		12, 15, 16				
6									PUMP, Washer, Windshield
	05103700AA	1	2, 6		01, 02, 06				Stamp nbr A0008604826
		1	2, 6		11, 12, 14, 15, 16				Stamp nbr A0008604826
		1	2, 6		51, 52, 54, 55, 56				Stamp nbr A0008604826
		1	3, 7		02, 06				Stamp nbr A0008604826
		1	3, 7		12, 15, 16				Stamp nbr A0008604826
	05124954AA	1	2, 6		01, 02, 06				Stamp nbr A0008603326
		1	2, 6		11, 12, 14, 15, 16				Stamp nbr A0008603326

SPRINTER (VA)

SERIES	LINE	BODY	ENGINE	TRANSMISSION
L = LOWLINE	3 = HD DODGE 2WD 8 = HD DODGE 4WD 6 = Lt. Duty DODGE 4WD 2 = Med. Duty DODGE 2WD 7 = Med. Duty DODGE 4WD 4 = TRUCK	01 = CHASSIS FORWARD CONTROL W.B.1 02 = CAB CHASSIS WHEEL BASE 2 06 = CAB CHASSIS WHEEL BASE 6 11 = VAN WHEEL BASE 1 12 = VAN WHEEL BASE 2 51 = WAGON WHEEL BASE 1 52 = WAGON WHEEL BASE 2 14 = VAN WHEEL BASE 4 15 = VAN WHEEL BASE 5 54 = WAGON WHEEL BASE 4 55 = WAGON WHEEL BASE 5 56 = WAGON WHEEL BASE 6 16 = VAN WHEEL BASE 6	EX8 = 2.7L I5 Turbo Diesel Engine EX9 = 2.7L I5 Mercedes-Benz TD Engine	DGJ = 5-Speed Automatic MB Transmission DGZ = 4-Spd. Automatic MT643 Transmission

AR = use ase required - = Non illustrated part

**Windshield Wiper & Washer
Figure 23D-205**

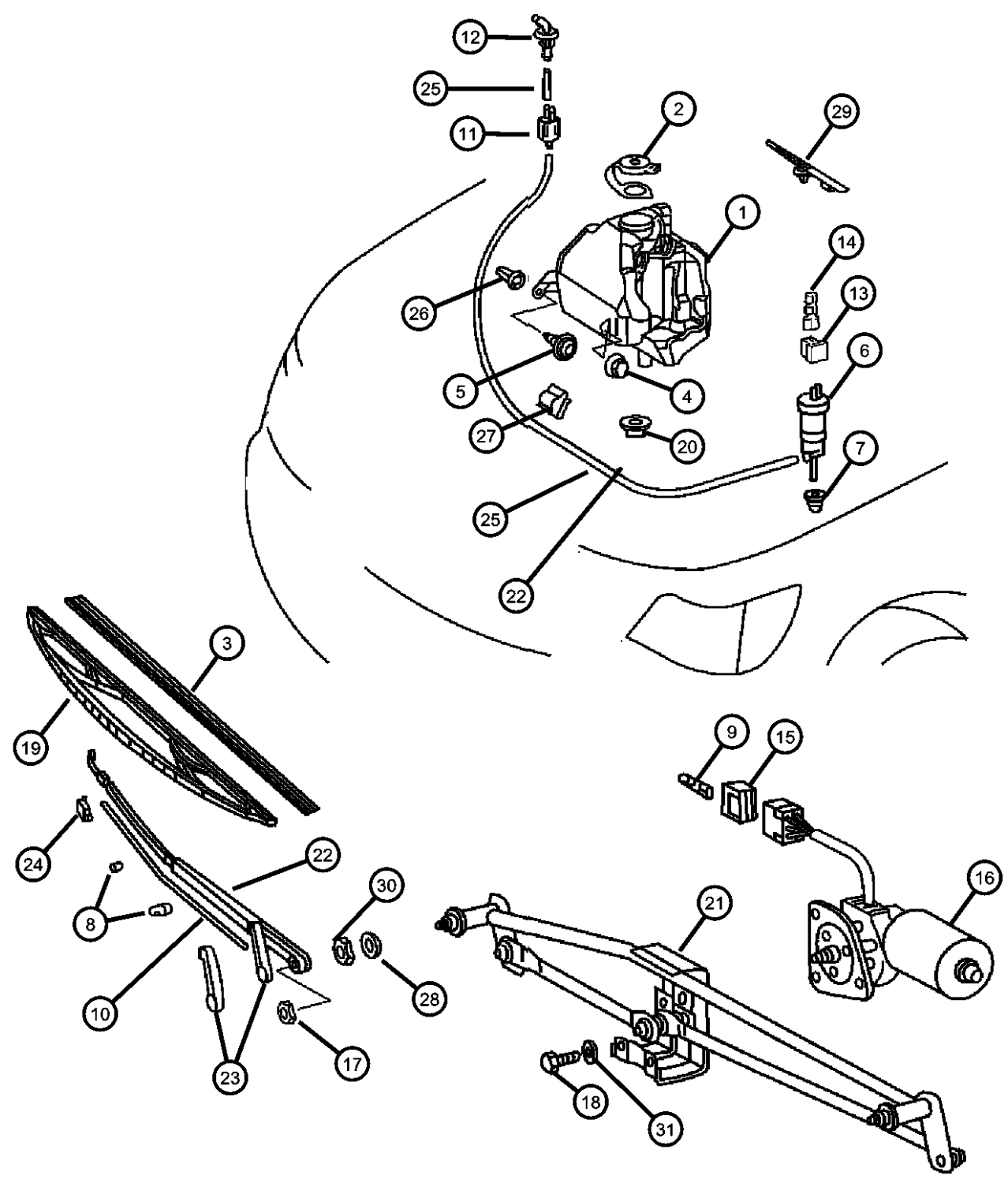


ITEM	PART NUMBER	QTY	LINE	SERIES	BODY	ENGINE	TRANS	TRIM	DESCRIPTION
		1	2, 6		51, 52, 54, 55, 56				Stamp nbr A0008603326
		1	3, 7		02, 06				Stamp nbr A0008603326
		1	3, 7		12, 15, 16				Stamp nbr A0008603326
7									GROMMET, Windshield Washer Pump
	05125077AA	1	3, 7		02, 06				With high pressure headlamp washer
		1	3, 7		12, 15, 16				With high pressure headlamp washer
	05125939AA	1	2, 6		01, 02, 06				Without high pressure headlamp washer
		1	2, 6		11, 12, 14, 15, 16				Without high pressure headlamp washer
		1	2, 6		51, 52, 54, 55, 56				Without high pressure headlamp washer
		1	3, 7		02, 06				Without high pressure headlamp washer
		1	3, 7		12, 15, 16				Without high pressure headlamp washer
8	05133994AA	1	2, 6		01, 02, 06				CLIP, Washer Hose
9									GROMMET, Windshield Washer Pump
	05125939AA	1	2, 6		11, 12, 14, 15, 16				
		1	3, 7		02, 06				
		1	3, 7		12, 15, 16				
10									HOSE, Windshield Washer
	05125066AA	1	2, 6		01, 02, 06				
		1	2, 6		11, 12, 14, 15, 16				
	05133996AA	1	2, 6		51, 52, 54, 55, 56				1 Meter Long
		1	3, 7		02, 06				1 Meter Long
		1	3, 7		12, 15, 16				1 Meter Long

SPRINTER (VA)
 SERIES LINE BODY ENGINE TRANSMISSION
 L = LOWLINE 3 = HD DODGE 2WD 01 = CHASSIS FORWARD CONTROL W.B.1 EX8 = 2.7L I5 Turbo Diesel Engine DGJ = 5-Speed Automatic MB Transmission
 8 = HD DODGE 4WD 02 = CAB CHASSIS WHEEL BASE 2 EX9 = 2.7L I5 Mercedes-Benz TD Engine DGZ = 4-Spd. Automatic MT643 Transmission
 6 = Lt. Duty DODGE 4WD 06 = CAB CHASSIS WHEEL BASE 6
 2 = Med. Duty DODGE 2WD 11 = VAN WHEEL BASE 1
 7 = Med. Duty DODGE 4WD 12 = VAN WHEEL BASE 2
 4 = TRUCK 51 = WAGON WHEEL BASE 1
 52 = WAGON WHEEL BASE 2
 14 = VAN WHEEL BASE 4
 15 = VAN WHEEL BASE 5
 54 = WAGON WHEEL BASE 4
 55 = WAGON WHEEL BASE 5
 56 = WAGON WHEEL BASE 6
 16 = VAN WHEEL BASE 6

AR = use ase required - = Non illustrated part

**Windshield Wiper & Washer
Figure 23D-205**



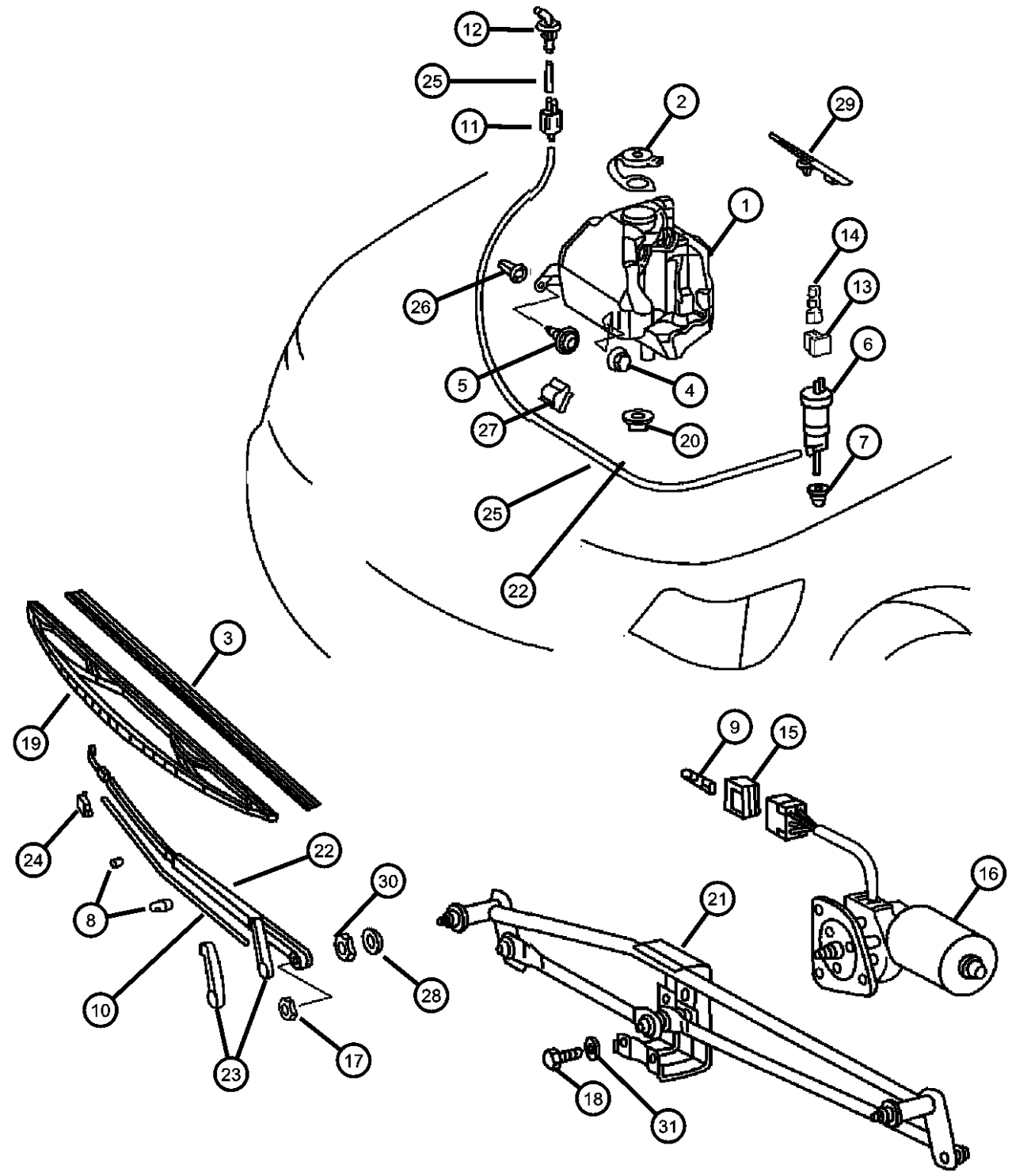
ITEM	PART NUMBER	QTY	LINE	SERIES	BODY	ENGINE	TRANS	TRIM	DESCRIPTION
11									CHECK VALVE, Washer
	05124963AA	1	2, 6		01, 02, 06				
		1	3, 7		02, 06				
12	05125061AA	2	2, 6		01, 02, 06				CONNECTOR, Washer Hose, Elbow Type, Elbow type connector
13									INSULATOR, 2 Way Female
	05103754AA	1	2, 6		11, 12, 14, 15, 16				
		2	3, 7		02, 06				
14	05099306AA	6	2, 6		01, 02, 06				TERMINAL, Female
15	05103863AA	1	3, 7		12, 15, 16				CONNECTOR
16	05103561AA	1	2, 6		01, 02, 06				MOTOR, Wiper
17	06104709AA	4	2, 6		01, 02, 06				NUT, M8
18	05073824AA	2	2, 6		01, 02, 06				SCREW
19									WIPER BLADE
	05103543AA	1	2, 6		01, 02, 06				Right
	WBW00022AD								Mopar Alternative Winter Wiper Blades
	WB000022AE								Mopar V-Line Alternative Part
	WB-BLU022AA								Mopar Alternative Color Wiper Blade (Blue)
	WB-BRED022AA								Mopar Alternative Color Wiper Blade (Red)
	WB-YEL022AA								Mopar Alternative Color Wiper Blade (Yellow)
	WB-WHI022AA								Mopar Alternative Color Wiper Blade (White)
	WB-CAR022AA								Mopar Alternative Color Wiper Blade (Carbon Fiber)
		1	2, 6		11, 12, 14, 15, 16				Right
	WBW00022AD								Mopar Alternative Winter Wiper Blades

SPRINTER (VA)

SERIES	LINE	BODY	ENGINE	TRANSMISSION
L = LOWLINE	3 = HD DODGE 2WD 8 = HD DODGE 4WD 6 = Lt. Duty DODGE 4WD 2 = Med. Duty DODGE 2WD 7 = Med. Duty DODGE 4WD 4 = TRUCK	01 = CHASSIS FORWARD CONTROL W.B.1 02 = CAB CHASSIS WHEEL BASE 2 06 = CAB CHASSIS WHEEL BASE 6 11 = VAN WHEEL BASE 1 12 = VAN WHEEL BASE 2 51 = WAGON WHEEL BASE 1 52 = WAGON WHEEL BASE 2 14 = VAN WHEEL BASE 4 15 = VAN WHEEL BASE 5 54 = WAGON WHEEL BASE 4 55 = WAGON WHEEL BASE 5 56 = WAGON WHEEL BASE 6 16 = VAN WHEEL BASE 6	EX8 = 2.7L I5 Turbo Diesel Engine EX9 = 2.7L I5 Mercedes-Benz TD Engine	DGJ = 5-Speed Automatic MB Transmission DGZ = 4-Spd. Automatic MT643 Transmission

AR = use ase required - = Non illustrated part

**Windshield Wiper & Washer
Figure 23D-205**



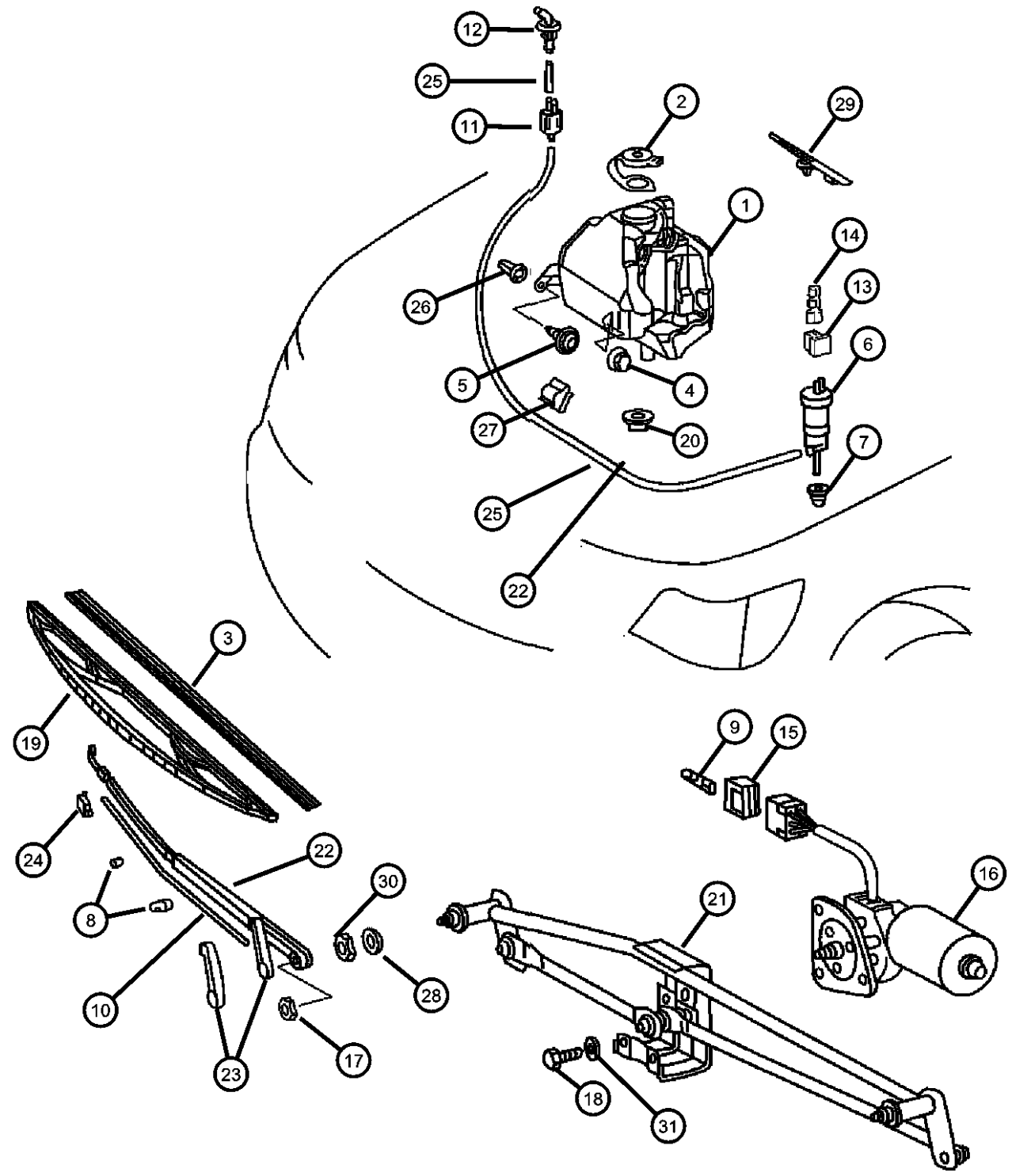
ITEM	PART NUMBER	QTY	LINE	SERIES	BODY	ENGINE	TRANS	TRIM	DESCRIPTION
------	-------------	-----	------	--------	------	--------	-------	------	-------------

	WB000022AE								Mopar V-Line Alternative Part
	WB-BLU022AA								Mopar Alternative Color Wiper Blade (Blue)
	WBRED022AA								Mopar Alternative Color Wiper Blade (Red)
	WBYEL022AA								Mopar Alternative Color Wiper Blade (Yellow)
	WB-WHI022AA								Mopar Alternative Color Wiper Blade (White)
	WB-CAR022AA								Mopar Alternative Color Wiper Blade (Carbon Fiber)
		1	2, 6		51, 52, 54, 55, 56				Right
	WBW00022AD								Mopar Alternative Winter Wiper Blades
	WB000022AE								Mopar V-Line Alternative Part
	WB-BLU022AA								Mopar Alternative Color Wiper Blade (Blue)
	WBRED022AA								Mopar Alternative Color Wiper Blade (Red)
	WBYEL022AA								Mopar Alternative Color Wiper Blade (Yellow)
	WB-WHI022AA								Mopar Alternative Color Wiper Blade (White)
	WB-CAR022AA								Mopar Alternative Color Wiper Blade (Carbon Fiber)
		1	3, 7		02, 06				Right
	WBW00022AD								Mopar Alternative Winter Wiper Blades
	WB000022AE								Mopar V-Line Alternative Part
	WB-BLU022AA								Mopar Alternative Color Wiper Blade (Blue)
	WBRED022AA								Mopar Alternative Color Wiper Blade (Red)
	WBYEL022AA								Mopar Alternative Color Wiper Blade (Yellow)

SPRINTER (VA)		BODY	ENGINE	TRANSMISSION
SERIES	LINE	01 = CHASSIS FORWARD CONTROL W.B.1	EX8 = 2.7L I5 Turbo Diesel Engine	DGJ = 5-Speed Automatic MB Transmission
L = LOWLINE	3 = HD DODGE 2WD	02 = CAB CHASSIS WHEEL BASE 2	EX9 = 2.7L I5 Mercedes-Benz TD Engine	DGZ = 4-Spd. Automatic MT643 Transmission
	8 = HD DODGE 4WD	06 = CAB CHASSIS WHEEL BASE 6		
	6 = Lt. Duty DODGE 4WD	11 = VAN WHEEL BASE 1		
	2 = Med. Duty DODGE 2WD	12 = VAN WHEEL BASE 2		
	7 = Med. Duty DODGE 4WD	51 = WAGON WHEEL BASE 1		
	4 = TRUCK	52 = WAGON WHEEL BASE 2		
		14 = VAN WHEEL BASE 4		
		15 = VAN WHEEL BASE 5		
		54 = WAGON WHEEL BASE 4		
		55 = WAGON WHEEL BASE 5		
		56 = WAGON WHEEL BASE 6		
		16 = VAN WHEEL BASE 6		

AR = use ase required - = Non illustrated part

**Windshield Wiper & Washer
Figure 23D-205**



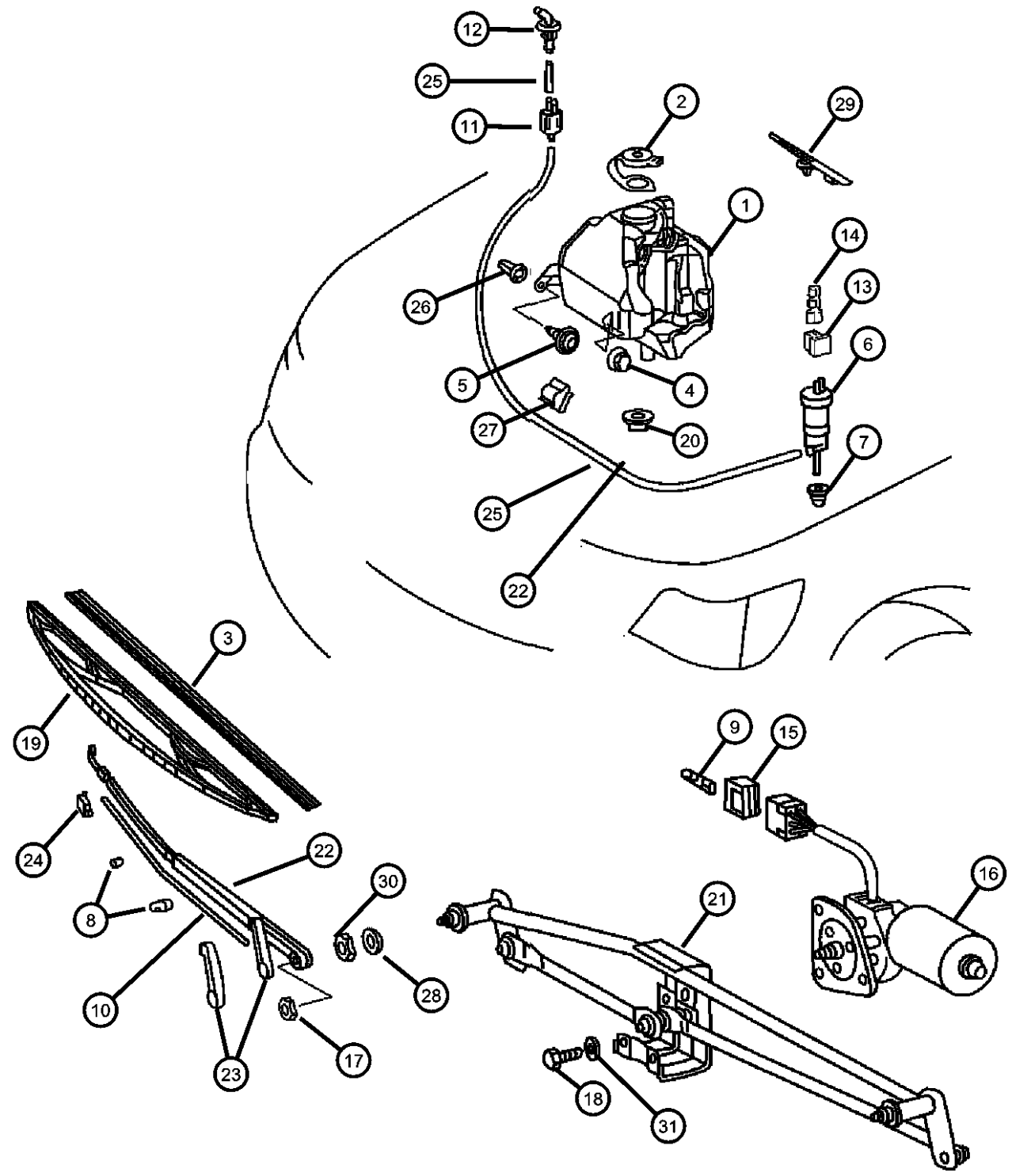
ITEM	PART NUMBER	QTY	LINE	SERIES	BODY	ENGINE	TRANS	TRIM	DESCRIPTION
	WB-WHI022AA								Mopar Alternative Color Wiper Blade (White)
	WB-CAR022AA								Mopar Alternative Color Wiper Blade (Carbon Fiber)
	WBW00022AD	1	3, 7		12, 15, 16				Mopar Alternative Winter Wiper Blades
	WB000022AE								Mopar V-Line Alternative Part
	WB-BLU022AA								Mopar Alternative Color Wiper Blade (Blue)
	WBRED022AA								Mopar Alternative Color Wiper Blade (Red)
	WBYEL022AA								Mopar Alternative Color Wiper Blade (Yellow)
	WB-WHI022AA								Mopar Alternative Color Wiper Blade (White)
	WB-CAR022AA								Mopar Alternative Color Wiper Blade (Carbon Fiber)
	05103544AA	1	2, 6		01, 02, 06				Mopar Alternative Winter Wiper Blades
	WBW00027AD								Mopar Alternative Winter Wiper Blades
	WBW00024AD								Mopar Alternative Winter Wiper Blades
	WB000024AE								Mopar V-Line Alternative Part
	WB-BLU024AA								Mopar Alternative Color Wiper Blade (Blue)
	WBRED024AA								Mopar Alternative Color Wiper Blade (Red)
	WBYEL024AA								Mopar Alternative Color Wiper Blade (Yellow)
	WB-WHI024AA								Mopar Alternative Color Wiper Blade (White)
	WB-CAR024AA								Mopar Alternative Color Wiper Blade (Carbon Fiber)
		1	2, 6		11, 12, 14, 15, 16				Mopar Alternative Color Wiper Blade (Carbon Fiber) Left

SPRINTER (VA)

SERIES	LINE	BODY	ENGINE	TRANSMISSION
L = LOWLINE	3 = HD DODGE 2WD 8 = HD DODGE 4WD 6 = Lt. Duty DODGE 4WD 2 = Med. Duty DODGE 2WD 7 = Med. Duty DODGE 4WD 4 = TRUCK	01 = CHASSIS FORWARD CONTROL W.B.1 02 = CAB CHASSIS WHEEL BASE 2 06 = CAB CHASSIS WHEEL BASE 6 11 = VAN WHEEL BASE 1 12 = VAN WHEEL BASE 2 51 = WAGON WHEEL BASE 1 52 = WAGON WHEEL BASE 2 14 = VAN WHEEL BASE 4 15 = VAN WHEEL BASE 5 54 = WAGON WHEEL BASE 4 55 = WAGON WHEEL BASE 5 56 = WAGON WHEEL BASE 6 16 = VAN WHEEL BASE 6	EX8 = 2.7L I5 Turbo Diesel Engine EX9 = 2.7L I5 Mercedes-Benz TD Engine	DGJ = 5-Speed Automatic MB Transmission DGZ = 4-Spd. Automatic MT643 Transmission

AR = use ase required - = Non illustrated part

**Windshield Wiper & Washer
Figure 23D-205**

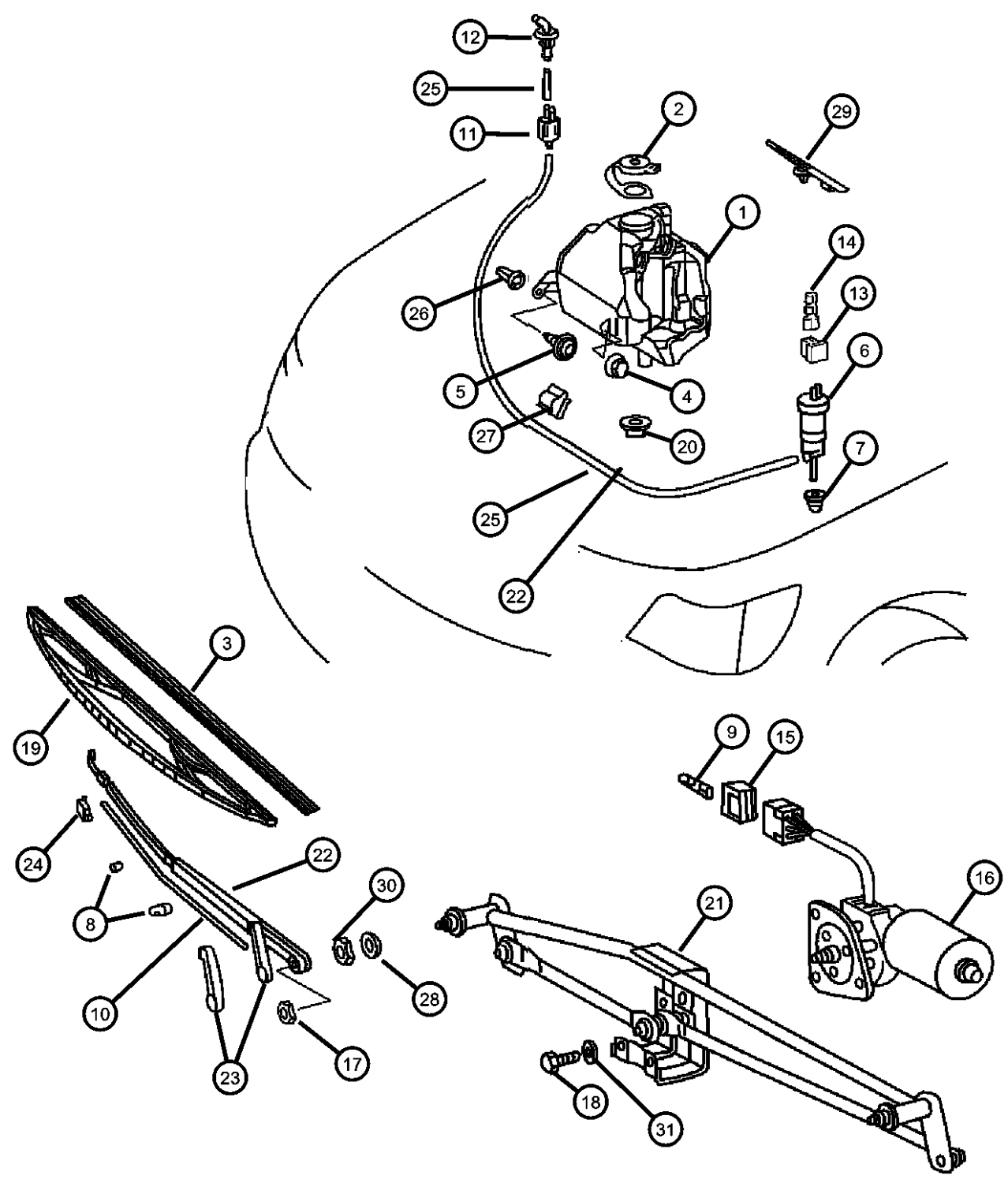


ITEM	PART NUMBER	QTY	LINE	SERIES	BODY	ENGINE	TRANS	TRIM	DESCRIPTION
	WBW00027AD								Mopar Alternative Winter Wiper Blades
	WBW00024AD								Mopar Alternative Winter Wiper Blades
	WB000024AE								Mopar V-Line Alternative Part
	WB-BLU024AA								Mopar Alternative Color Wiper Blade (Blue)
	WBRED024AA								Mopar Alternative Color Wiper Blade (Red)
	WBYEL024AA								Mopar Alternative Color Wiper Blade (Yellow)
	WB-WHI024AA								Mopar Alternative Color Wiper Blade (White)
	WB-CAR024AA	1	2, 6		51, 52, 54, 55, 56				Mopar Alternative Color Wiper Blade (Carbon Fiber) Left
	WBW00027AD								Mopar Alternative Winter Wiper Blades
	WBW00024AD								Mopar Alternative Winter Wiper Blades
	WB000024AE								Mopar V-Line Alternative Part
	WB-BLU024AA								Mopar Alternative Color Wiper Blade (Blue)
	WBRED024AA								Mopar Alternative Color Wiper Blade (Red)
	WBYEL024AA								Mopar Alternative Color Wiper Blade (Yellow)
	WB-WHI024AA								Mopar Alternative Color Wiper Blade (White)
	WB-CAR024AA	1	3, 7		02, 06				Mopar Alternative Color Wiper Blade (Carbon Fiber) Left
	WBW00027AD								Mopar Alternative Winter Wiper Blades
	WBW00024AD								Mopar Alternative Winter Wiper Blades

SPRINTER (VA)		BODY		ENGINE		TRANSMISSION	
SERIES	LINE	01 = CHASSIS FORWARD CONTROL W.B.1	EX8 = 2.7L I5 Turbo Diesel Engine	DGJ = 5-Speed Automatic MB Transmission			
L = LOWLINE	3 = HD DODGE 2WD	02 = CAB CHASSIS WHEEL BASE 2	EX9 = 2.7L I5 Mercedes-Benz TD Engine	DGZ = 4-Spd. Automatic MT643 Transmission			
	8 = HD DODGE 4WD	06 = CAB CHASSIS WHEEL BASE 6					
	6 = Lt. Duty DODGE 4WD	11 = VAN WHEEL BASE 1					
	2 = Med. Duty DODGE 2WD	12 = VAN WHEEL BASE 2					
	7 = Med. Duty DODGE 4WD	51 = WAGON WHEEL BASE 1					
	4 = TRUCK	52 = WAGON WHEEL BASE 2					
		14 = VAN WHEEL BASE 4					
		15 = VAN WHEEL BASE 5					
		54 = WAGON WHEEL BASE 4					
		55 = WAGON WHEEL BASE 5					
		56 = WAGON WHEEL BASE 6					
		16 = VAN WHEEL BASE 6					

AR = use ase required - = Non illustrated part

**Windshield Wiper & Washer
Figure 23D-205**



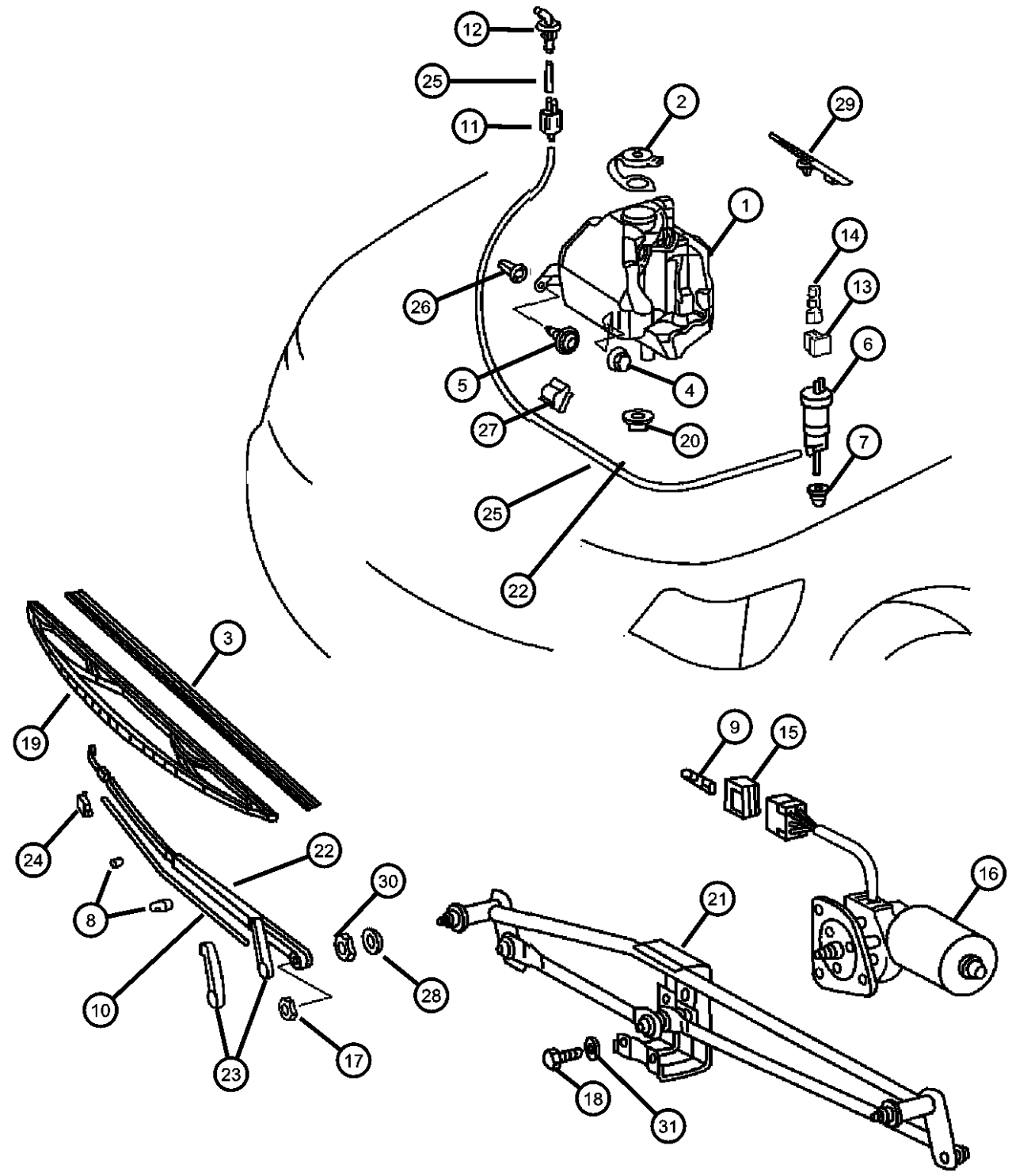
ITEM	PART NUMBER	QTY	LINE	SERIES	BODY	ENGINE	TRANS	TRIM	DESCRIPTION
	WB000024AE								Mopar V-Line Alternative Part
	WB-BLU024AA								Mopar Alternative Color Wiper Blade (Blue)
	WBRED024AA								Mopar Alternative Color Wiper Blade (Red)
	WBYEL024AA								Mopar Alternative Color Wiper Blade (Yellow)
	WB-WHI024AA								Mopar Alternative Color Wiper Blade (White)
	WB-CAR024AA								Mopar Alternative Color Wiper Blade (Carbon Fiber)
	WBW00027AD	1	3, 7		12, 15, 16				Left
	WBW00024AD								Mopar Alternative Winter Wiper Blades
	WB000024AE								Mopar V-Line Alternative Part
	WB-BLU024AA								Mopar Alternative Color Wiper Blade (Blue)
	WBRED024AA								Mopar Alternative Color Wiper Blade (Red)
	WBYEL024AA								Mopar Alternative Color Wiper Blade (Yellow)
	WB-WHI024AA								Mopar Alternative Color Wiper Blade (White)
	WB-CAR024AA								Mopar Alternative Color Wiper Blade (Carbon Fiber)
20									GROMMET, Washer Reservoir
	05125941AA	2	2, 6		01, 02, 06				
		2	3, 7		02, 06				
21		2							LINKAGE, Wiper Arm, (NOT SERVICED)
22									ARM, Wiper
	05104458AA	1	2, 6		01, 02, 06				Left

SPRINTER (VA)

SERIES	LINE	BODY	ENGINE	TRANSMISSION
L = LOWLINE	3 = HD DODGE 2WD 8 = HD DODGE 4WD 6 = Lt. Duty DODGE 4WD 2 = Med. Duty DODGE 2WD 7 = Med. Duty DODGE 4WD 4 = TRUCK	01 = CHASSIS FORWARD CONTROL W.B.1 02 = CAB CHASSIS WHEEL BASE 2 06 = CAB CHASSIS WHEEL BASE 6 11 = VAN WHEEL BASE 1 12 = VAN WHEEL BASE 2 51 = WAGON WHEEL BASE 1 52 = WAGON WHEEL BASE 2 14 = VAN WHEEL BASE 4 15 = VAN WHEEL BASE 5 54 = WAGON WHEEL BASE 4 55 = WAGON WHEEL BASE 5 56 = WAGON WHEEL BASE 6 16 = VAN WHEEL BASE 6	EX8 = 2.7L I5 Turbo Diesel Engine EX9 = 2.7L I5 Mercedes-Benz TD Engine	DGJ = 5-Speed Automatic MB Transmission DGZ = 4-Spd. Automatic MT643 Transmission

AR = use ase required - = Non illustrated part

**Windshield Wiper & Washer
Figure 23D-205**



ITEM	PART NUMBER	QTY	LINE	SERIES	BODY	ENGINE	TRANS	TRIM	DESCRIPTION
		1	2, 6		11, 12, 14, 15, 16				Left
		1	2, 6		51, 52, 54, 55, 56				Left
		1	3, 7		02, 06				Left
		1	3, 7		12, 15, 16				Left
	05104460AA	1	2, 6		01, 02, 06				Right
		1	2, 6		11, 12, 14, 15, 16				Right
		1	2, 6		51, 52, 54, 55, 56				Right
		1	3, 7		02, 06				Right
		1	3, 7		12, 15, 16				Right
23		1							COVER, Wiper Arm, (NOT SERVICED)
24	05103698AA	1	2, 6		01, 02, 06				NOZZLE, Washer, Windshield
25									HOSE, Windshield Washer
	05125066AA	1	2, 6		01, 02, 06				
		1	3, 7		02, 06				
26		1							PLUG, Push Lock, (NOT SERVICED)
27									CLIP
	06507148AA	8	2, 6		51, 52, 54, 55, 56				
		8	3, 7		12, 15, 16				
28		8							WASHER, (NOT SERVICED)
29									STRAP, Tie
	05133690AA	8	3, 7		02, 06				
		8	3, 7		12, 15, 16				
30		8							NUT, (NOT SERVICED)
31		8							WASHER, (NOT SERVICED)

SPRINTER (VA)

SERIES	LINE	BODY	ENGINE	TRANSMISSION
L = LOWLINE	3 = HD DODGE 2WD 8 = HD DODGE 4WD 6 = Lt. Duty DODGE 4WD 2 = Med. Duty DODGE 2WD 7 = Med. Duty DODGE 4WD 4 = TRUCK	01 = CHASSIS FORWARD CONTROL W.B.1 02 = CAB CHASSIS WHEEL BASE 2 06 = CAB CHASSIS WHEEL BASE 6 11 = VAN WHEEL BASE 1 12 = VAN WHEEL BASE 2 51 = WAGON WHEEL BASE 1 52 = WAGON WHEEL BASE 2 14 = VAN WHEEL BASE 4 15 = VAN WHEEL BASE 5 54 = WAGON WHEEL BASE 4 55 = WAGON WHEEL BASE 5 56 = WAGON WHEEL BASE 6 16 = VAN WHEEL BASE 6	EX8 = 2.7L I5 Turbo Diesel Engine EX9 = 2.7L I5 Mercedes-Benz TD Engine	DGJ = 5-Speed Automatic MB Transmission DGZ = 4-Spd. Automatic MT643 Transmission

AR = use ase required - = Non illustrated part

Group - 24

Air Conditioning & Heater

Group - 24 Air Conditioning & Heater

Illustration Title

Group-Fig. No.

Air Conditioner and Heater Units

Hevac Unit, Front.....Fig. 24 - 130

Air Conditioner and Heater Plumbing

Heat Exchanger and Plumbing.....Fig. 24 - 210
 Plumbing, Heater.....Fig. 24 - 220
 Plumbing, Heater with Auxiliary warm water Heater.....Fig. 24 - 230
 Plumbing, Air Conditioning.....Fig. 24 - 240
 Condenser, Fan Front.....Fig. 24 - 250
 Auxiliary Warm Water Heater.....Fig. 24 - 260
 Auxiliary Air Conditioner.....Fig. 24 - 270
 Auxiliary Air Conditioning Ventilation.....Fig. 24 - 280
 Refrigerant Line, Rear Air Conditioner.....Fig. 24 - 290

Air Conditioner and Heater Controls

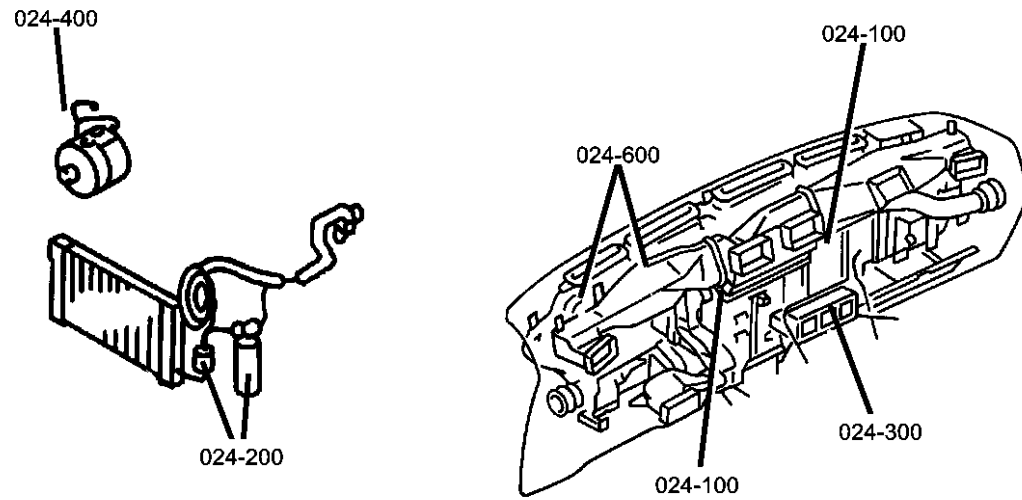
Control.....Fig. 24 - 320

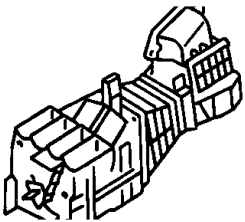
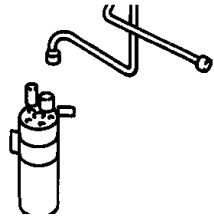
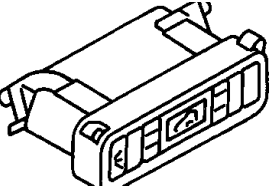
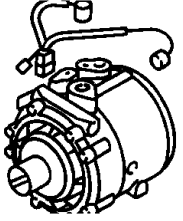
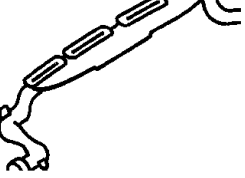
Air Conditioning Compressor

Compressor and Mounting.....Fig. 24 - 420

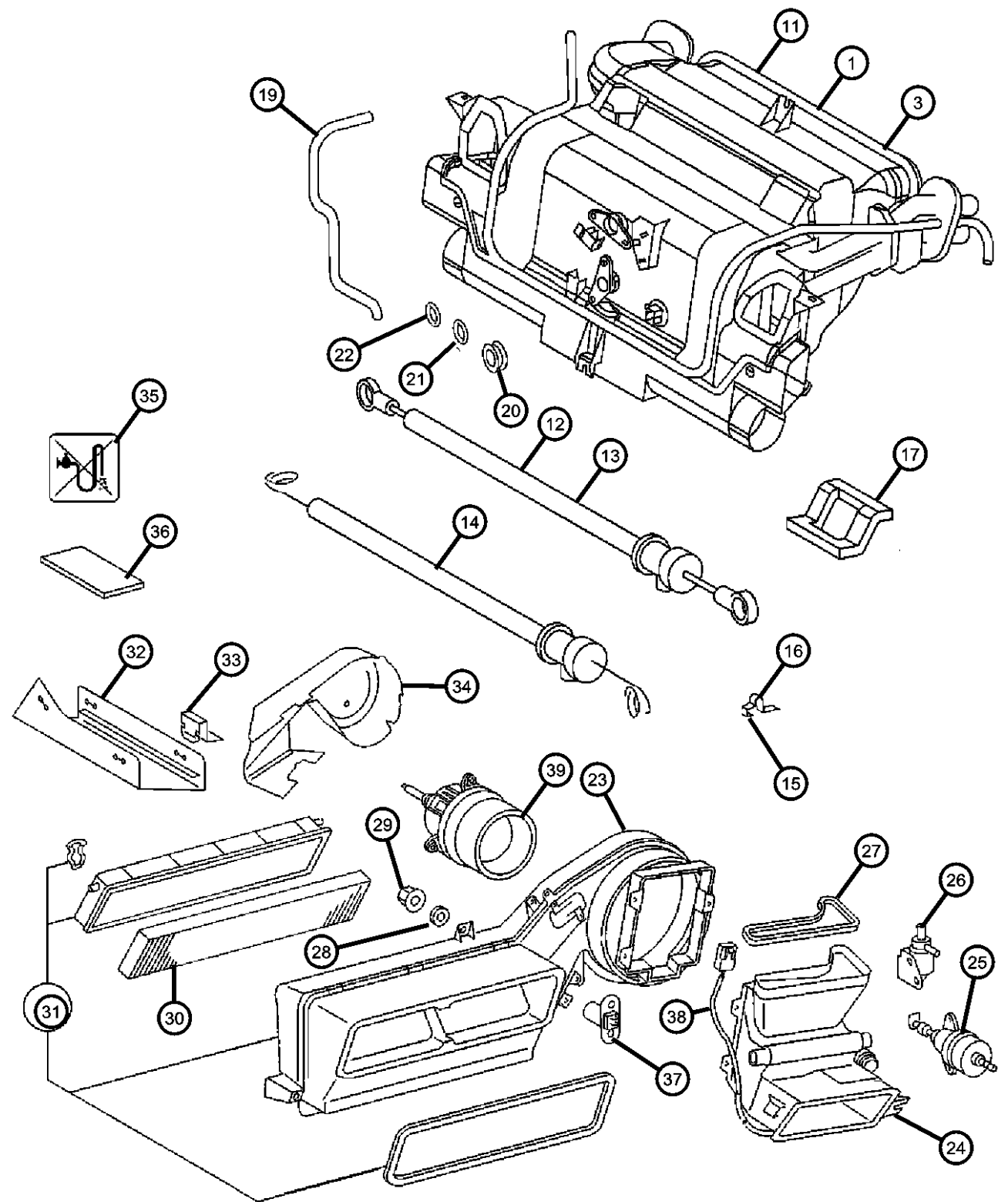
Air Ducts and Outlets

Air Ducts And Outlets, Front.....Fig. 24 - 630
 Air Ducts And Outlets, Rear.....Fig. 24 - 640
 Ventilator, Roof Vent.....Fig. 24 - 650



<p>024-100 Air Conditioner and Heater Units</p> 	<p>024-200 Air Conditioner and Heater Plumbing</p> 	<p>024-300 Air Conditioner and Heater Controls</p> 	<p>024-400 Air Conditioning Compressor</p> 
<p>024-600 Air Ducts and Outlets</p> 			

Hevac Unit, Front
Figure 24-130



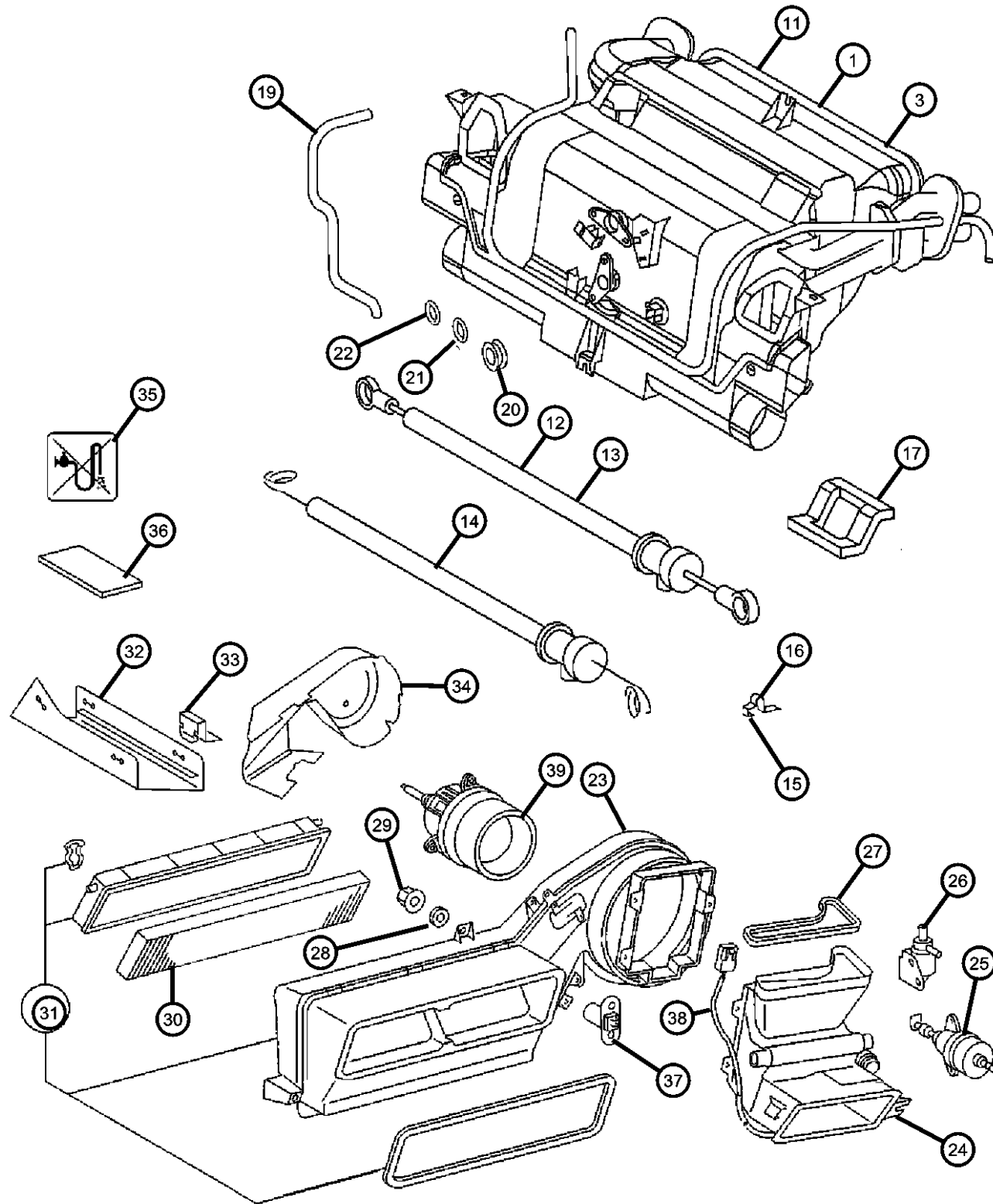
ITEM	PART NUMBER	QTY	LINE	SERIES	BODY	ENGINE	TRANS	TRIM	DESCRIPTION
1	05133422AA	1	2, 6		02, 06, 01	EX8			HEATER
		1	2, 6		11, 12, 14, 15, 16	EX8			
		1	2, 6		51, 52, 54, 55, 56	EX8			
		1	3, 7		02, 06	EX8			
		1	3, 7		12, 15, 16	EX8			
-2	06104610AA	4	2, 6		11, 12, 14, 15, 16	EX8			SCREW, Attaching
		4	2, 6		51, 52, 54, 55, 56	EX8			
		4	3, 7		02, 06	EX8			
		4	3, 7		12, 15, 16	EX8			
3	05134379AA	1	2, 6		01, 02, 06	EX8			HEATER AND A/C UNIT, Includes items 3 - 9
		1	2, 6		11, 12, 14, 15, 16	EX8			
		1	2, 6		51, 52, 54, 55, 56	EX8			
		1	3, 7		02, 06	EX8			
		1	3, 7		12, 15, 16	EX8			
-4	05133424AA	1	2, 6		01, 02, 06	EX8			OUTLET, Air Conditioning & Heater
		1	2, 6		11, 12, 14, 15, 16	EX8			
		1	2, 6		51, 52, 54, 55, 56	EX8			
		1	3, 7		02, 06	EX8			
		1	3, 7		12, 15, 16	EX8			
-5									GASKET

SPRINTER (VA)

SERIES	LINE	BODY	ENGINE	TRANSMISSION
L = LOWLINE	3 = HD DODGE 2WD 8 = HD DODGE 4WD 6 = Lt. Duty DODGE 4WD 2 = Med. Duty DODGE 2WD 7 = Med. Duty DODGE 4WD 4 = TRUCK	01 = CHASSIS FORWARD CONTROL W.B.1 02 = CAB CHASSIS WHEEL BASE 2 06 = CAB CHASSIS WHEEL BASE 6 11 = VAN WHEEL BASE 1 12 = VAN WHEEL BASE 2 51 = WAGON WHEEL BASE 1 52 = WAGON WHEEL BASE 2 14 = VAN WHEEL BASE 4 15 = VAN WHEEL BASE 5 54 = WAGON WHEEL BASE 4 55 = WAGON WHEEL BASE 5 56 = WAGON WHEEL BASE 6 16 = VAN WHEEL BASE 6	EX8 = 2.7L I5 Turbo Diesel Engine EX9 = 2.7L I5 Mercedes-Benz TD Engine	DGJ = 5-Speed Automatic MB Transmission DGZ = 4-Spd. Automatic MT643 Transmission

AR = use ase required - = Non illustrated part

Hevac Unit, Front
Figure 24-130



ITEM	PART NUMBER	QTY	LINE	SERIES	BODY	ENGINE	TRANS	TRIM	DESCRIPTION
	05103773AA	1	2, 6		01, 02, 06	EX8			
		1	2, 6		11, 12, 14, 15, 16	EX8			
		1	2, 6		51, 52, 54, 55, 56	EX8			
		1	3, 7		02, 06	EX8			
		1	3, 7		12, 15, 16	EX8			
-6									VALVE
	05103809AA	1	2, 6		01, 02, 06	EX8			
		1	2, 6		11, 12, 14, 15, 16	EX8			
		1	2, 6		51, 52, 54, 55, 56	EX8			
		1	3, 7		02, 06	EX8			
		1	3, 7		12, 15, 16	EX8			
-7									TUBE
	05133425AA	1	2, 6		01, 02, 06	EX8			
		1	2, 6		11, 12, 14, 15, 16	EX8			
		1	2, 6		51, 52, 54, 55, 56	EX8			
		1	3, 7		02, 06	EX8			
		1	3, 7		12, 15, 16	EX8			
-8									HEATER, Exchanger
	05133426AA	1	2, 6		01, 02, 06	EX8			
		1	2, 6		11, 12, 14, 15, 16	EX8			
		1	2, 6		51, 52, 54, 55, 56	EX8			
		1	3, 7		02, 06	EX8			
		1	3, 7		12, 15, 16	EX8			
-9									EVAPORATOR, Air Conditioning

SPRINTER (VA)

SERIES

L = LOWLINE

LINE

3 = HD DODGE 2WD
8 = HD DODGE 4WD
6 = Lt. Duty DODGE 4WD
2 = Med. Duty DODGE 2WD
7 = Med. Duty DODGE 4WD
4 = TRUCK

BODY

01 = CHASSIS FORWARD CONTROL W.B.1
02 = CAB CHASSIS WHEEL BASE 2
06 = CAB CHASSIS WHEEL BASE 6
11 = VAN WHEEL BASE 1
12 = VAN WHEEL BASE 2
51 = WAGON WHEEL BASE 1
52 = WAGON WHEEL BASE 2
14 = VAN WHEEL BASE 4
15 = VAN WHEEL BASE 5
54 = WAGON WHEEL BASE 4
55 = WAGON WHEEL BASE 5
56 = WAGON WHEEL BASE 6
16 = VAN WHEEL BASE 6

ENGINE

EX8 = 2.7L I5 Turbo Diesel Engine
EX9 = 2.7L I5 Mercedes-Benz TD Engine

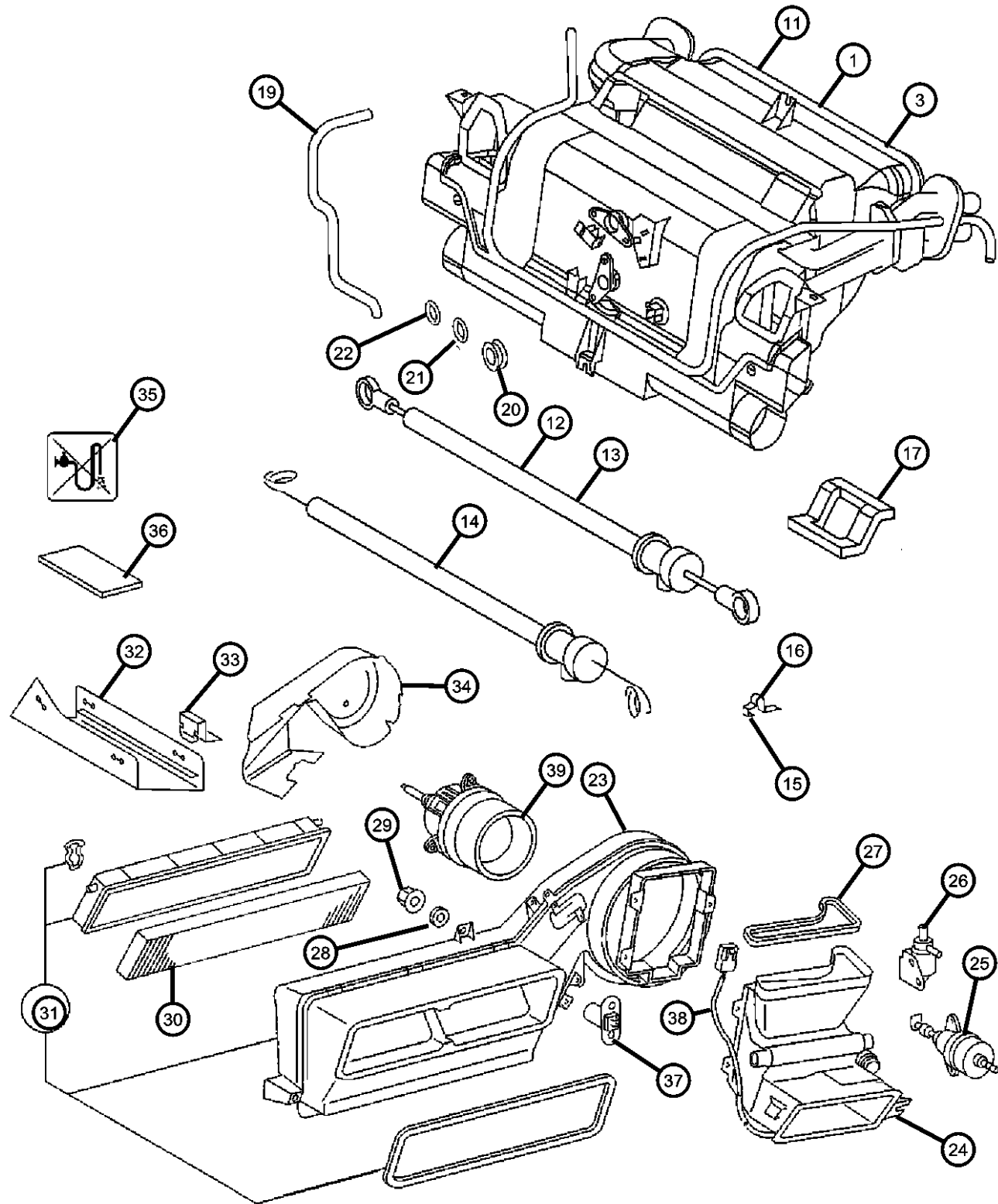
TRANSMISSION

DGJ = 5-Speed Automatic MB Transmission
DGZ = 4-Spd. Automatic MT643 Transmission

AR = use ase required - = Non illustrated part

2006 VA

Hevac Unit, Front
Figure 24-130



ITEM	PART NUMBER	QTY	LINE	SERIES	BODY	ENGINE	TRANS	TRIM	DESCRIPTION
	05103694AA	1	2, 6		01, 02, 06	EX8			
		1	2, 6		11, 12, 14, 15, 16	EX8			
		1	2, 6		51, 52, 54, 55, 56	EX8			
		1	3, 7		02, 06	EX8			
		1	3, 7		12, 15, 16	EX8			
-10	05103937AA	1	2, 6		01, 02, 06	EX8			SENSOR, Temperature
		1	2, 6		11, 12, 14, 15, 16	EX8			Flat Plug Version
		1	2, 6		51, 52, 54, 55, 56	EX8			Flat Plug Version
		1	3, 7		06, 02	EX8			Flat Plug Version
		1	3, 7		12, 15, 16	EX8			Flat Plug Version
	05133427AA	1	2, 6		01, 02, 06	EX8			
		1	2, 6		11, 12, 14, 15, 16	EX8			
		1	2, 6		51, 52, 54, 55, 56	EX8			
		1	3, 7		02, 06	EX8			
		1	3, 7		12, 15, 16	EX8			
11	05104477AA	1	2, 6		01, 02, 06	EX8			CONTROL, Electronic
		1	2, 6		11, 12, 14, 15, 16	EX8			
		1	2, 6		51, 52, 54, 55, 56	EX8			
		1	3, 7		02, 06	EX8			
		1	3, 7		12, 15, 16	EX8			
12	05104492AA	1	2, 6		01, 02, 06	EX8			CABLE, A/C And Heater Control

SPRINTER (VA)

SERIES
L = LOWLINE

LINE
3 = HD DODGE 2WD
8 = HD DODGE 4WD
6 = Lt. Duty DODGE 4WD
2 = Med. Duty DODGE 2WD
7 = Med. Duty DODGE 4WD
4 = TRUCK

BODY
01 = CHASSIS FORWARD CONTROL W.B.1
02 = CAB CHASSIS WHEEL BASE 2
06 = CAB CHASSIS WHEEL BASE 6
11 = VAN WHEEL BASE 1
12 = VAN WHEEL BASE 2
51 = WAGON WHEEL BASE 1
52 = WAGON WHEEL BASE 2
14 = VAN WHEEL BASE 4
15 = VAN WHEEL BASE 5
54 = WAGON WHEEL BASE 4
55 = WAGON WHEEL BASE 5
56 = WAGON WHEEL BASE 6
16 = VAN WHEEL BASE 6

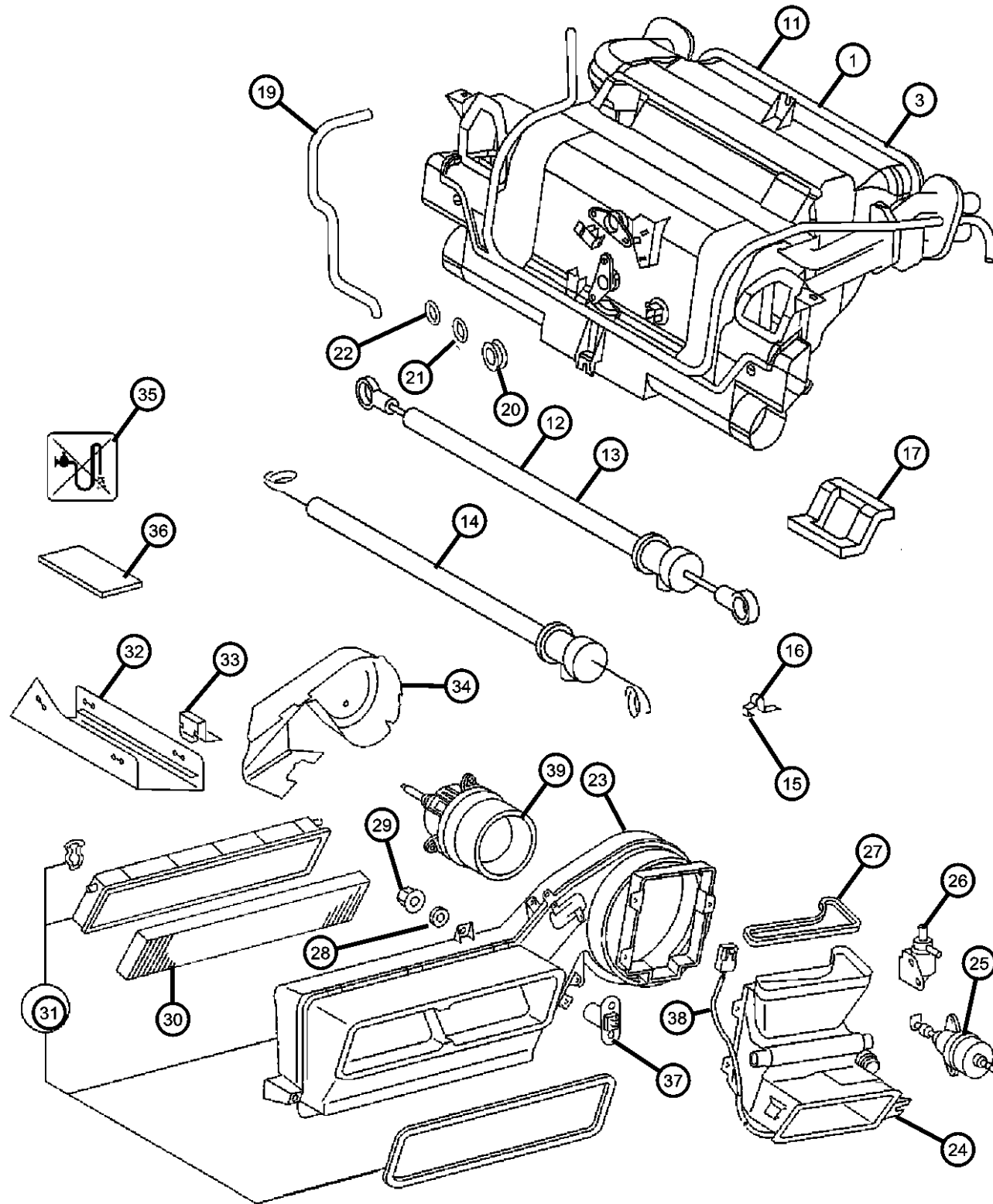
ENGINE
EX8 = 2.7L I5 Turbo Diesel Engine
EX9 = 2.7L I5 Mercedes-Benz TD Engine

TRANSMISSION
DGJ = 5-Speed Automatic MB Transmission
DGZ = 4-Spd. Automatic MT643 Transmission

AR = use ase required - = Non illustrated part

2006 VA

Hevac Unit, Front
Figure 24-130



ITEM	PART NUMBER	QTY	LINE	SERIES	BODY	ENGINE	TRANS	TRIM	DESCRIPTION
		1	2, 6		11, 12, 14, 15, 16	EX8			
		1	2, 6		51, 52, 54, 55, 56	EX8			
		1	3, 7		02, 06	EX8			
		1	3, 7		12, 15, 16	EX8			
13									CABLE, A/C And Heater Control, Defrost
	05104493AA	1	2, 6		01, 02, 06	EX8			
		1	2, 6		11, 12, 14, 15, 16	EX8			
		1	2, 6		51, 52, 54, 55, 56	EX8			
		1	3, 7		02, 06	EX8			
		1	3, 7		12, 15, 16	EX8			
14									CABLE, A/C And Heater Control, Water Valve
	05104492AA	1	2, 6		01, 02, 06	EX8			
		1	2, 6		11, 12, 14, 15, 16	EX8			
		1	2, 6		51, 52, 54, 55, 56	EX8			
		1	3, 7		02, 06	EX8			
		1	3, 7		12, 15, 16	EX8			
15									CLIP
	05125562AA	1	2, 6		01, 02, 06	EX8			
		1	2, 6		11, 12, 14, 15, 16	EX8			
		1	2, 6		51, 52, 54, 55, 56	EX8			
		1	3, 7		02, 06	EX8			
		1	3, 7		12, 15, 16	EX8			
16									CLIP, Cable
		1	2, 6		01, 02, 06	EX8			
		1	2, 6		11, 12, 14, 15, 16	EX8			
		1	2, 6		51, 52, 54, 55, 56	EX8			
		1	3, 7		02, 06	EX8			
		1	3, 7		12, 15, 16	EX8			

SPRINTER (VA)

SERIES

L = LOWLINE

LINE

3 = HD DODGE 2WD
8 = HD DODGE 4WD
6 = Lt. Duty DODGE 4WD
2 = Med. Duty DODGE 2WD
7 = Med. Duty DODGE 4WD
4 = TRUCK

BODY

01 = CHASSIS FORWARD CONTROL W.B.1
02 = CAB CHASSIS WHEEL BASE 2
06 = CAB CHASSIS WHEEL BASE 6
11 = VAN WHEEL BASE 1
12 = VAN WHEEL BASE 2
51 = WAGON WHEEL BASE 1
52 = WAGON WHEEL BASE 2
14 = VAN WHEEL BASE 4
15 = VAN WHEEL BASE 5
54 = WAGON WHEEL BASE 4
55 = WAGON WHEEL BASE 5
56 = WAGON WHEEL BASE 6
16 = VAN WHEEL BASE 6

ENGINE

EX8 = 2.7L I5 Turbo Diesel Engine
EX9 = 2.7L I5 Mercedes-Benz TD Engine

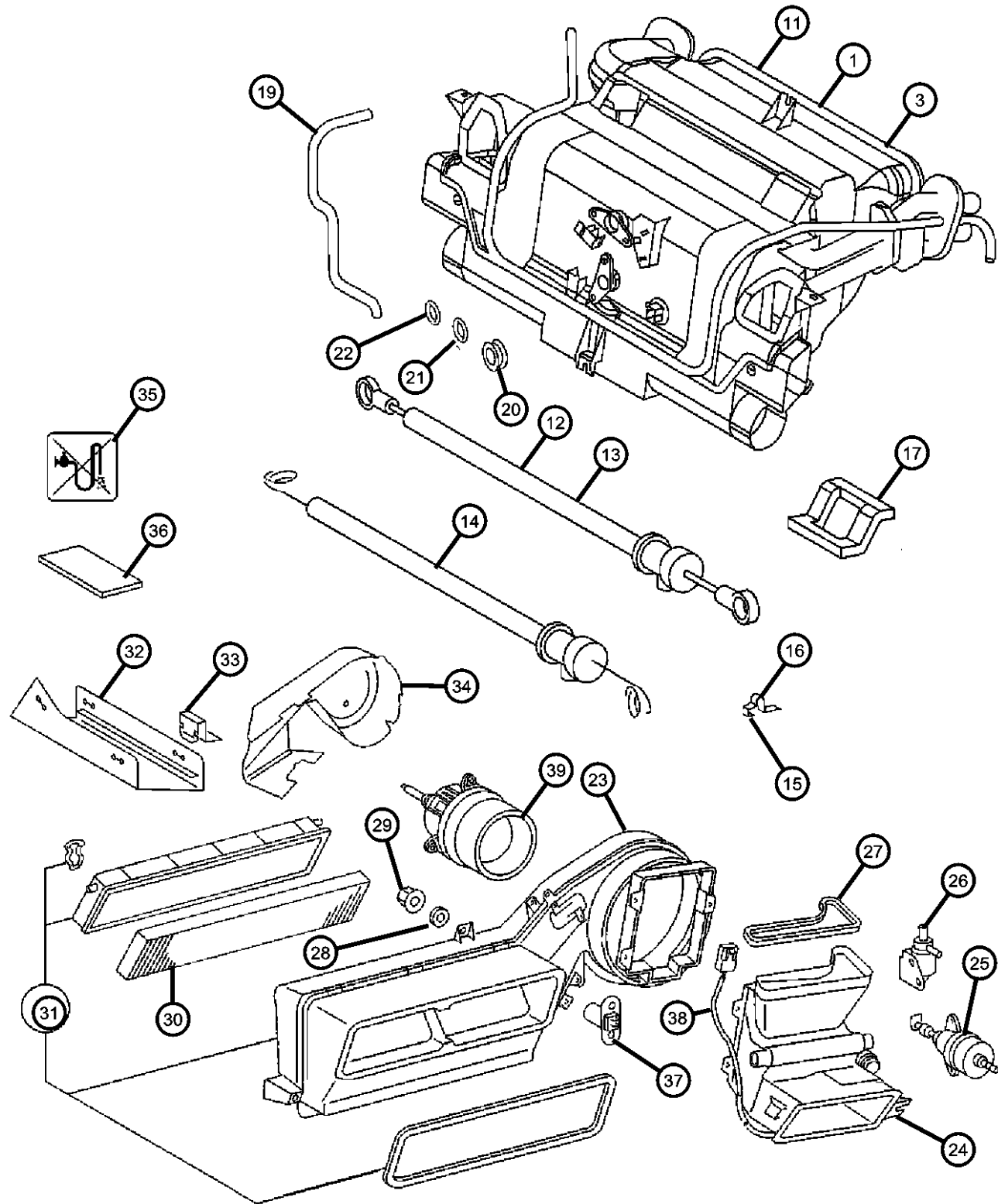
TRANSMISSION

DGJ = 5-Speed Automatic MB Transmission
DGZ = 4-Spd. Automatic MT643 Transmission

AR = use ase required - = Non illustrated part

2006 VA

Hevac Unit, Front
Figure 24-130



ITEM	PART NUMBER	QTY	LINE	SERIES	BODY	ENGINE	TRANS	TRIM	DESCRIPTION
	05103693AA	1	2, 6		01, 02, 06	EX8			
		1	2, 6		11, 12, 14, 15, 16	EX8			
		1	2, 6		51, 52, 54, 55, 56	EX8			
		1	3, 7		02, 06	EX8			
		1	3, 7		16, 12, 15	EX8			
17	05124786AA	2	2, 6		11, 12, 14, 15, 16	EX8			SEAL
		2	2, 6		51, 52, 54, 55, 56	EX8			
		2	3, 7		02, 06	EX8			
		2	3, 7		12, 15, 16	EX8			
-18	05119332AA	1	2, 6		01, 02, 06	EX8			CLIP, Hose
		1	2, 6		11, 12, 14, 15, 16	EX8			
		1	2, 6		51, 52, 54, 55, 56	EX8			
		1	3, 7		02, 06	EX8			
		1	3, 7		12, 15, 16	EX8			
19	05124827AA	1	2, 6		01, 02, 06	EX8			HOSE
		1	2, 6		11, 12, 14, 15, 16	EX8			
		1	2, 6		51, 52, 54, 55, 56	EX8			
		1	3, 7		02, 06	EX8			
		1	3, 7		12, 15, 16	EX8			
20	05125938AA	1	2, 6		01, 02, 06	EX8			GROMMET

SPRINTER (VA)

SERIES

L = LOWLINE

LINE

3 = HD DODGE 2WD
8 = HD DODGE 4WD
6 = Lt. Duty DODGE 4WD
2 = Med. Duty DODGE 2WD
7 = Med. Duty DODGE 4WD
4 = TRUCK

BODY

01 = CHASSIS FORWARD CONTROL W.B.1
02 = CAB CHASSIS WHEEL BASE 2
06 = CAB CHASSIS WHEEL BASE 6
11 = VAN WHEEL BASE 1
12 = VAN WHEEL BASE 2
51 = WAGON WHEEL BASE 1
52 = WAGON WHEEL BASE 2
14 = VAN WHEEL BASE 4
15 = VAN WHEEL BASE 5
54 = WAGON WHEEL BASE 4
55 = WAGON WHEEL BASE 5
56 = WAGON WHEEL BASE 6
16 = VAN WHEEL BASE 6

ENGINE

EX8 = 2.7L I5 Turbo Diesel Engine
EX9 = 2.7L I5 Mercedes-Benz TD Engine

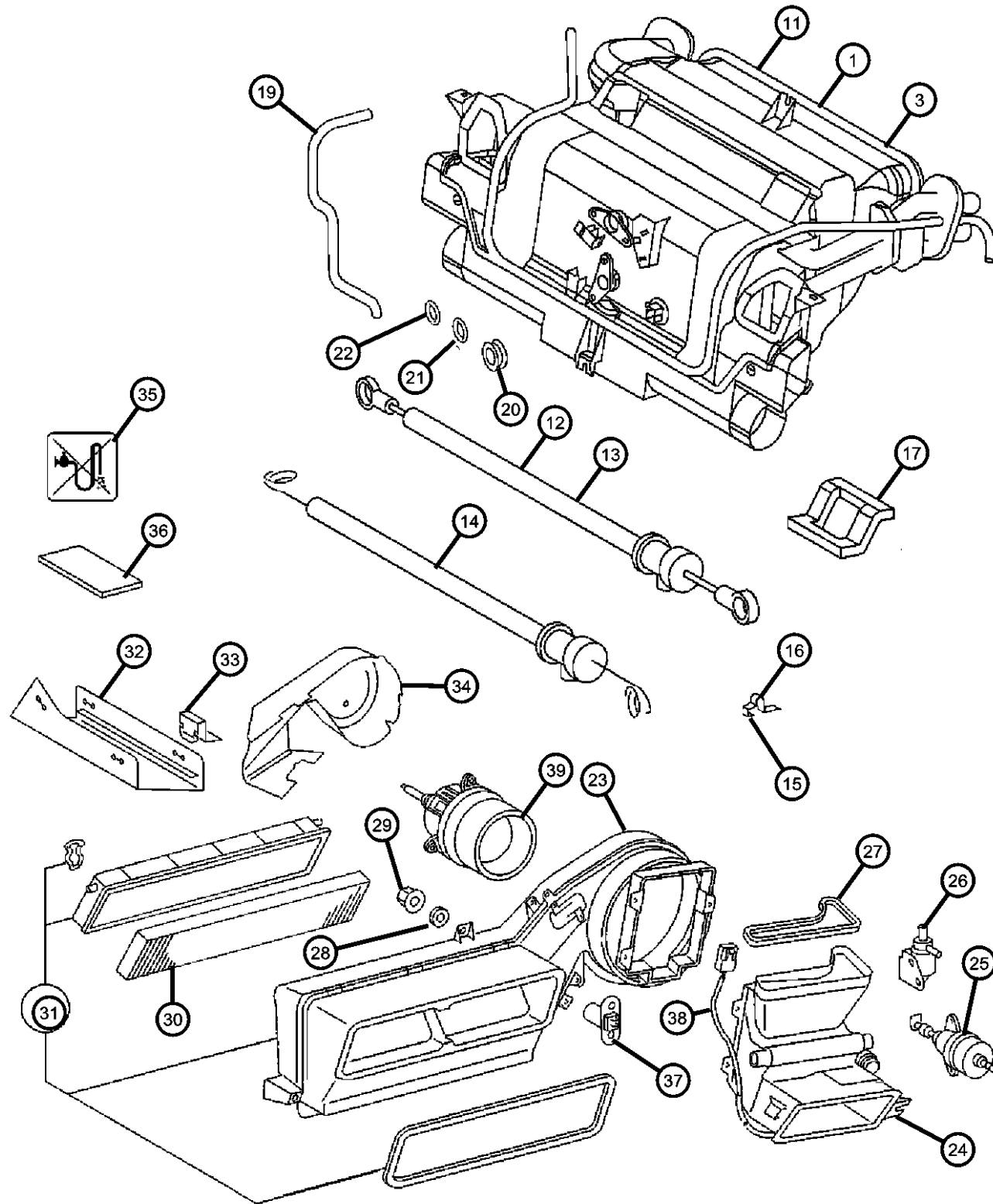
TRANSMISSION

DGJ = 5-Speed Automatic MB Transmission
DGZ = 4-Spd. Automatic MT643 Transmission

AR = use ase required - = Non illustrated part

2006 VA

Hevac Unit, Front
Figure 24-130



ITEM	PART NUMBER	QTY	LINE	SERIES	BODY	ENGINE	TRANS	TRIM	DESCRIPTION
		1	2, 6		11, 12, 14, 15, 16	EX8			
		1	2, 6		51, 52, 54, 55, 56	EX8			
		1	3, 7		02, 06	EX8			
		1	3, 7		12, 15, 16	EX8			
21									O RING, A/C Line
	05098971AA	1	2, 6		01, 02, 06	EX8			
		1	2, 6		11, 12, 14, 15, 16	EX8			
		1	2, 6		54, 55, 56, 51, 52	EX8			
		1	3, 7		02, 06	EX8			
		1	3, 7		12, 15, 16	EX8			
22									O RING, A/C Line
	05098972AA	1	2, 6		01, 02, 06	EX8			
		1	2, 6		11, 12, 14, 15, 16	EX8			
		1	2, 6		51, 52, 54, 55, 56	EX8			
		1	3, 7		02, 06	EX8			
		1	3, 7		12, 15, 16	EX8			
23									HOUSING, Heater
	05124712AA	1	2, 6		01, 02, 06	EX8			[-HAB]
		1	2, 6		11, 12, 14, 15, 16	EX8			[-HAB]
		1	2, 6		51, 52, 54, 55, 56	EX8			[-HAB]
		1	3, 7		02, 06	EX8			[-HAB]
		1	3, 7		12, 15, 16	EX8			[-HAB]
	05124713AA	1	2, 6		01, 02, 06	EX8			[HAB]

SPRINTER (VA)

SERIES

L = LOWLINE

LINE

3 = HD DODGE 2WD
8 = HD DODGE 4WD
6 = Lt. Duty DODGE 4WD
2 = Med. Duty DODGE 2WD
7 = Med. Duty DODGE 4WD
4 = TRUCK

BODY

01 = CHASSIS FORWARD CONTROL W.B.1
02 = CAB CHASSIS WHEEL BASE 2
06 = CAB CHASSIS WHEEL BASE 6
11 = VAN WHEEL BASE 1
12 = VAN WHEEL BASE 2
51 = WAGON WHEEL BASE 1
52 = WAGON WHEEL BASE 2
14 = VAN WHEEL BASE 4
15 = VAN WHEEL BASE 5
54 = WAGON WHEEL BASE 4
55 = WAGON WHEEL BASE 5
56 = WAGON WHEEL BASE 6
16 = VAN WHEEL BASE 6

ENGINE

EX8 = 2.7L I5 Turbo Diesel Engine
EX9 = 2.7L I5 Mercedes-Benz TD Engine

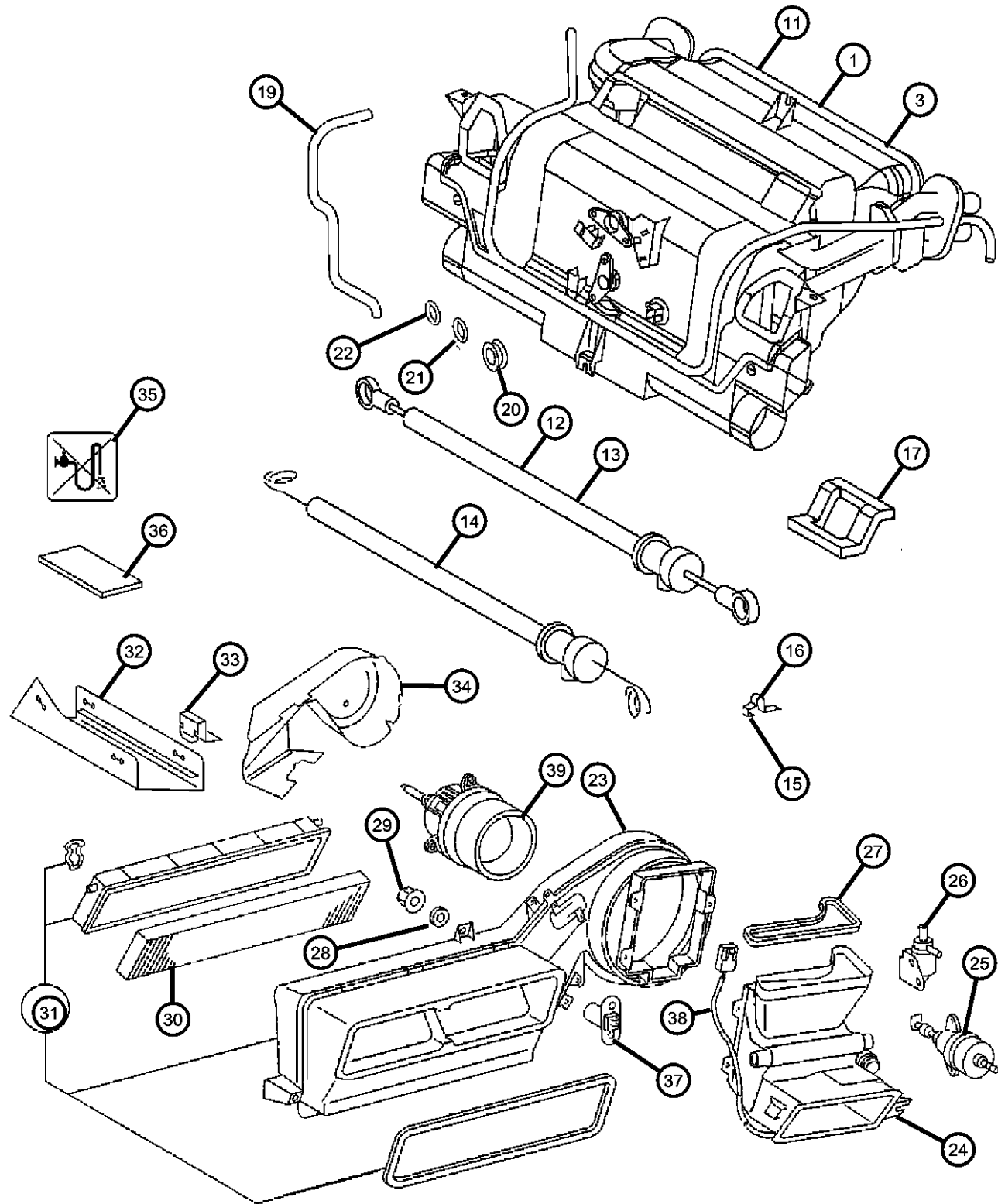
TRANSMISSION

DGJ = 5-Speed Automatic MB Transmission
DGZ = 4-Spd. Automatic MT643 Transmission

AR = use ase required - = Non illustrated part

2006 VA

Hevac Unit, Front
Figure 24-130



ITEM	PART NUMBER	QTY	LINE	SERIES	BODY	ENGINE	TRANS	TRIM	DESCRIPTION
		1	2, 6		11, 12, 14, 15, 16	EX8			[HAB]
		1	2, 6		51, 52, 54, 55, 56	EX8			[HAB]
		1	3, 7		02, 06	EX8			[HAB]
		1	3, 7		12, 15, 16	EX8			[HAB]
24									DUCT, Air Outlet
	05133430AA	1	2, 6		01, 02, 06	EX8			
		1	2, 6		11, 12, 14, 15, 16	EX8			
		1	2, 6		51, 52, 54, 55, 56	EX8			
		1	3, 7		02, 06	EX8			
		1	3, 7		12, 15, 16	EX8			
25									ACTUATOR, A/C and Heater
	05133441AA	1	2, 6		01, 02, 06	EX8			
		1	2, 6		11, 12, 14, 15, 16	EX8			
		1	2, 6		51, 52, 54, 55, 56	EX8			
		1	3, 7		02, 06	EX8			
		1	3, 7		16, 12, 15	EX8			
26									VALVE
	05133433AA	1	2, 6		01, 02, 06	EX8			
		1	2, 6		11, 12, 14, 15, 16	EX8			
		1	2, 6		51, 52, 54, 55, 56	EX8			
		1	3, 7		02, 06	EX8			
		1	3, 7		12, 15, 16	EX8			
27									SEAL
	05124770AA	1	2, 6		01, 02, 06	EX8			

SPRINTER (VA)

SERIES

L = LOWLINE

LINE

3 = HD DODGE 2WD
8 = HD DODGE 4WD
6 = Lt. Duty DODGE 4WD
2 = Med. Duty DODGE 2WD
7 = Med. Duty DODGE 4WD
4 = TRUCK

BODY

01 = CHASSIS FORWARD CONTROL W.B.1
02 = CAB CHASSIS WHEEL BASE 2
06 = CAB CHASSIS WHEEL BASE 6
11 = VAN WHEEL BASE 1
12 = VAN WHEEL BASE 2
51 = WAGON WHEEL BASE 1
52 = WAGON WHEEL BASE 2
14 = VAN WHEEL BASE 4
15 = VAN WHEEL BASE 5
54 = WAGON WHEEL BASE 4
55 = WAGON WHEEL BASE 5
56 = WAGON WHEEL BASE 6
16 = VAN WHEEL BASE 6

ENGINE

EX8 = 2.7L I5 Turbo Diesel Engine
EX9 = 2.7L I5 Mercedes-Benz TD Engine

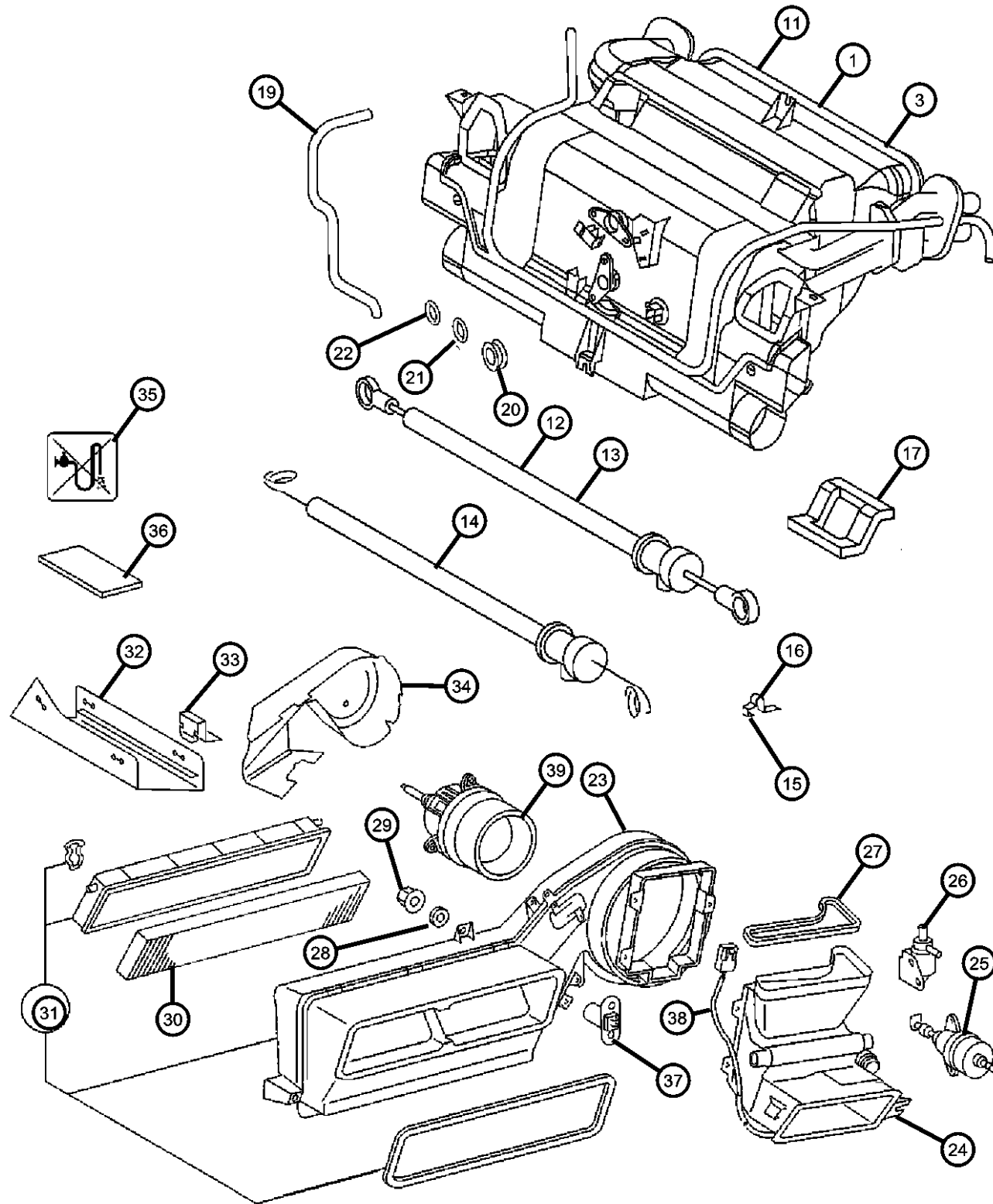
TRANSMISSION

DGJ = 5-Speed Automatic MB Transmission
DGZ = 4-Spd. Automatic MT643 Transmission

AR = use ase required - = Non illustrated part

2006 VA

Hevac Unit, Front
Figure 24-130



ITEM	PART NUMBER	QTY	LINE	SERIES	BODY	ENGINE	TRANS	TRIM	DESCRIPTION
		1	2, 6		11, 12, 14, 15, 16	EX8			
		1	2, 6		51, 52, 54, 55, 56	EX8			
		1	3, 7		02, 06	EX8			
		1	3, 7		12, 15, 16	EX8			
28		1							WASHER, 05133908aa, (NOT SERVICED)
29									NUT
	05125765AA	5	2, 6		01, 02, 06	EX8			
		5	2, 6		11, 12, 14, 15, 16	EX8			
		5	2, 6		51, 52, 54, 55, 56	EX8			
		5	3, 7		02, 06	EX8			
		5	3, 7		12, 15, 16	EX8			
30									FILTER, A/C and Heater Unit
	05103600AA	1	2, 6		02, 06, 01	EX8			
		1	2, 6		11, 12, 14, 15, 16	EX8			
		1	2, 6		51, 52, 54, 55, 56	EX8			
		1	3, 7		02, 06	EX8			
		1	3, 7		12, 15, 16	EX8			
31									COVER, A/C and Heater
	05133439AA	1	2, 6		01, 02, 06	EX8			
		1	2, 6		11, 12, 14, 15, 16	EX8			
		1	2, 6		51, 52, 54, 55, 56	EX8			
		1	3, 7		02, 06	EX8			
		1	3, 7		12, 15, 16	EX8			

SPRINTER (VA)

SERIES

L = LOWLINE

LINE

3 = HD DODGE 2WD
8 = HD DODGE 4WD
6 = Lt. Duty DODGE 4WD
2 = Med. Duty DODGE 2WD
7 = Med. Duty DODGE 4WD
4 = TRUCK

BODY

01 = CHASSIS FORWARD CONTROL W.B.1
02 = CAB CHASSIS WHEEL BASE 2
06 = CAB CHASSIS WHEEL BASE 6
11 = VAN WHEEL BASE 1
12 = VAN WHEEL BASE 2
51 = WAGON WHEEL BASE 1
52 = WAGON WHEEL BASE 2
14 = VAN WHEEL BASE 4
15 = VAN WHEEL BASE 5
54 = WAGON WHEEL BASE 4
55 = WAGON WHEEL BASE 5
56 = WAGON WHEEL BASE 6
16 = VAN WHEEL BASE 6

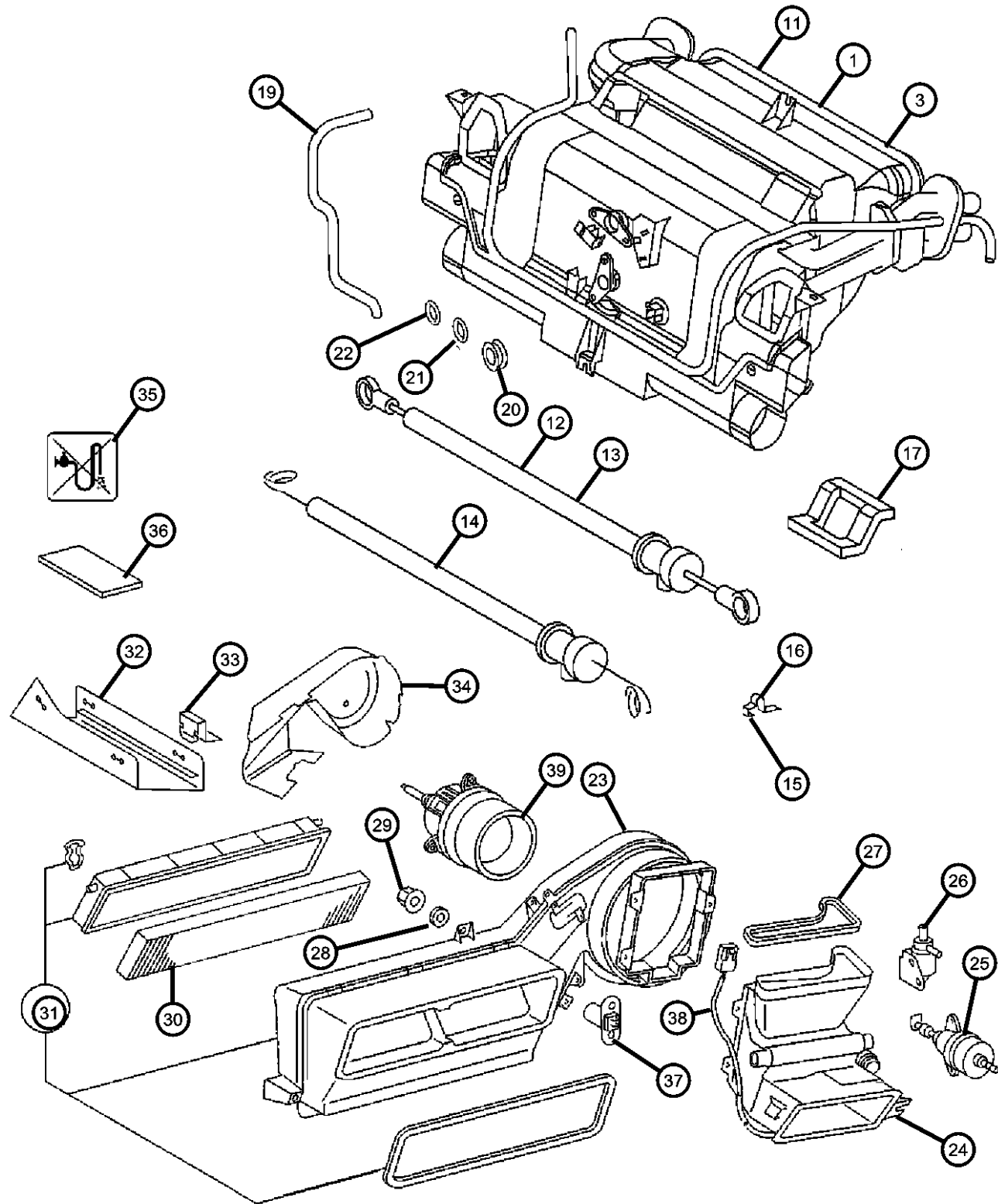
ENGINE

EX8 = 2.7L I5 Turbo Diesel Engine
EX9 = 2.7L I5 Mercedes-Benz TD Engine

TRANSMISSION

DGJ = 5-Speed Automatic MB Transmission
DGZ = 4-Spd. Automatic MT643 Transmission

Hevac Unit, Front
Figure 24-130



ITEM	PART NUMBER	QTY	LINE	SERIES	BODY	ENGINE	TRANS	TRIM	DESCRIPTION
32	05124759AA	1	2, 6		01, 02, 06	EX8			ISOLATOR
		1	2, 6		11, 12, 14, 15, 16	EX8			
		1	2, 6		51, 52, 54, 55, 56	EX8			
		1	3, 7		02, 06	EX8			
		1	3, 7		12, 15, 16	EX8			
33	05125571AA	5	2, 6		01, 02, 06	EX8			CLIP
		5	2, 6		11, 12, 14, 15, 16	EX8			
		5	2, 6		51, 52, 54, 55, 56	EX8			
		5	3, 7		02, 06	EX8			
		5	3, 7		12, 15, 16	EX8			
34	05124760AA	1	2, 6		01, 02, 06	EX8			INSULATION, Blower Motor
		1	2, 6		11, 12, 14, 15, 16	EX8			
		1	2, 6		51, 52, 54, 55, 56	EX8			
		1	3, 7		02, 06	EX8			
		1	3, 7		12, 15, 16	EX8			
35	05121077AA	1	2, 6		01, 02, 06	EX8			LABEL
		1	2, 6		11, 12, 14, 15, 16	EX8			
		1	2, 6		51, 52, 54, 55, 56	EX8			
		1	3, 7		02, 06	EX8			
		1	3, 7		12, 15, 16	EX8			

SPRINTER (VA)

SERIES

L = LOWLINE
 3 = HD DODGE 2WD
 8 = HD DODGE 4WD
 6 = Lt. Duty DODGE 4WD
 2 = Med. Duty DODGE 2WD
 7 = Med. Duty DODGE 4WD
 4 = TRUCK

LINE

BODY

01 = CHASSIS FORWARD CONTROL W.B.1
 02 = CAB CHASSIS WHEEL BASE 2
 06 = CAB CHASSIS WHEEL BASE 6
 11 = VAN WHEEL BASE 1
 12 = VAN WHEEL BASE 2
 51 = WAGON WHEEL BASE 1
 52 = WAGON WHEEL BASE 2
 14 = VAN WHEEL BASE 4
 15 = VAN WHEEL BASE 5
 54 = WAGON WHEEL BASE 4
 55 = WAGON WHEEL BASE 5
 56 = WAGON WHEEL BASE 6
 16 = VAN WHEEL BASE 6

ENGINE

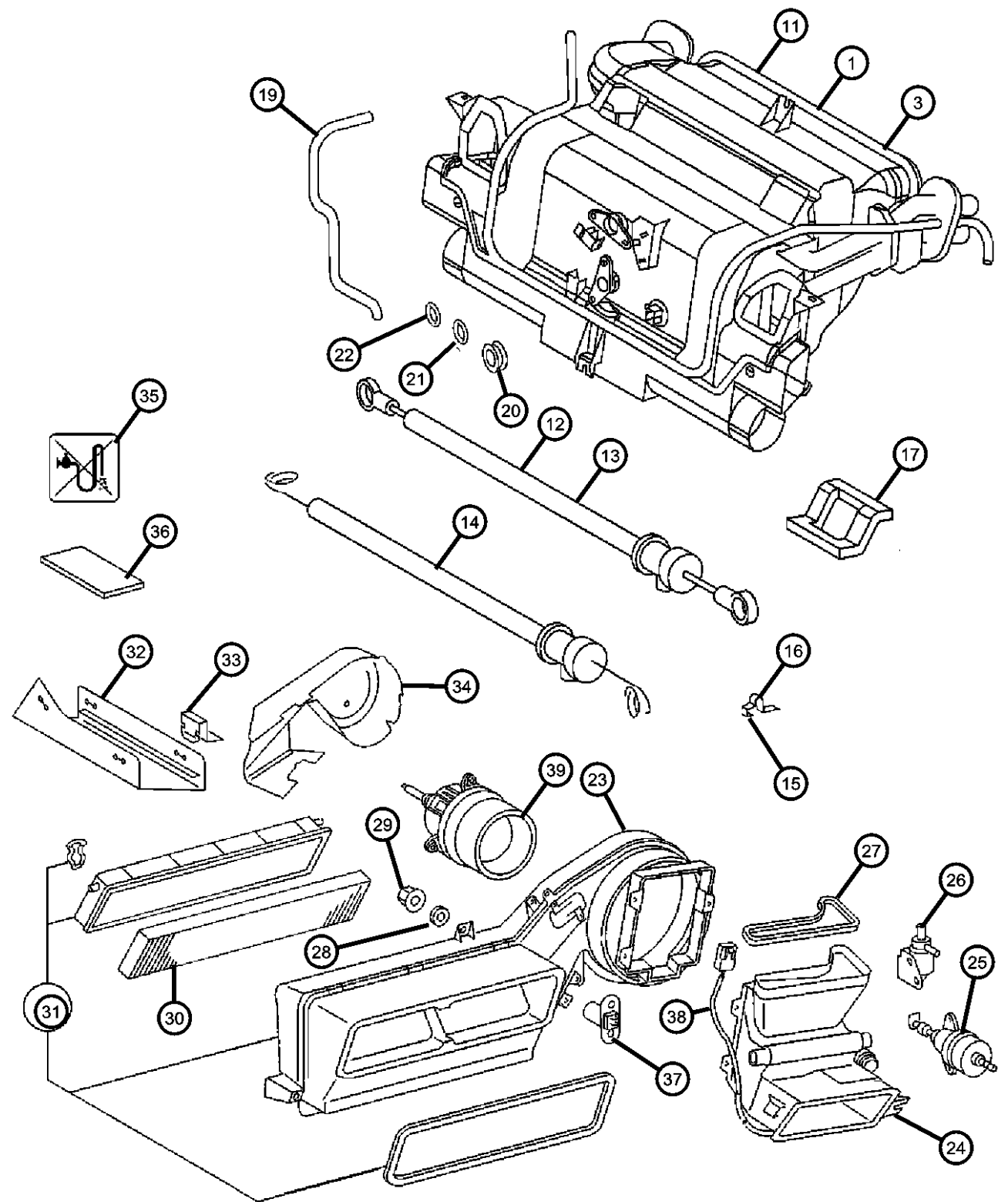
EX8 = 2.7L I5 Turbo Diesel Engine
 EX9 = 2.7L I5 Mercedes-Benz TD Engine

TRANSMISSION

DGJ = 5-Speed Automatic MB Transmission
 DGZ = 4-Spd. Automatic MT643 Transmission

AR = use ase required - = Non illustrated part

Hevac Unit, Front
Figure 24-130



ITEM	PART NUMBER	QTY	LINE	SERIES	BODY	ENGINE	TRANS	TRIM	DESCRIPTION	
36	05133443AA	5	2, 6		01, 02, 06	EX8			PAD	
		5	2, 6		14, 15, 16, 11, 12	EX8				
		5	2, 6		51, 52, 54, 55, 56	EX8				
		5	3, 7		12, 15, 16	EX8				
37	05133432AA	1	2, 6		01, 02, 06	EX8			RESISTOR, Blower Motor	
		1	2, 6		11, 12, 14, 15, 16	EX8				
		1	2, 6		51, 52, 54, 55, 56	EX8				
		1	3, 7		02, 06	EX8				
38	05133471AA	1	2, 6		01, 02, 06	EX8			CABLE With [SA Code 520518 01/02/09]	
		1	2, 6		11, 12, 14, 15, 16	EX8				
		1	2, 6		51, 52, 54, 55, 56	EX8				
		1	3, 7		02, 06	EX8				
	05139246AA	1	3, 7		12, 15, 16	EX8				With [SA Code 520518 01/02/09]
		1	2, 6		01, 02, 06	EX8				From Chasis Number [R356851] With [SA] Code [520518 / 03]
		1	2, 6		11, 12, 14, 15, 16	EX8				From Chasis Number [R356851] With [SA] Code [520518 / 03]
		1	2, 6		52, 54, 55, 56, 51	EX8				From Chasis Number [R356851] With [SA] Code [520518 / 03]
1	3, 7		02, 06	EX8			From Chasis Number [R356851] With [SA] Code [520518 / 03]			
1	3, 7		12, 15, 16	EX8			From Chasis Number [R356851] With [SA] Code [520518 / 03]			

SPRINTER (VA)
SERIES
 L = LOWLINE

LINE
 3 = HD DODGE 2WD
 8 = HD DODGE 4WD
 6 = Lt. Duty DODGE 4WD
 2 = Med. Duty DODGE 2WD
 7 = Med. Duty DODGE 4WD
 4 = TRUCK

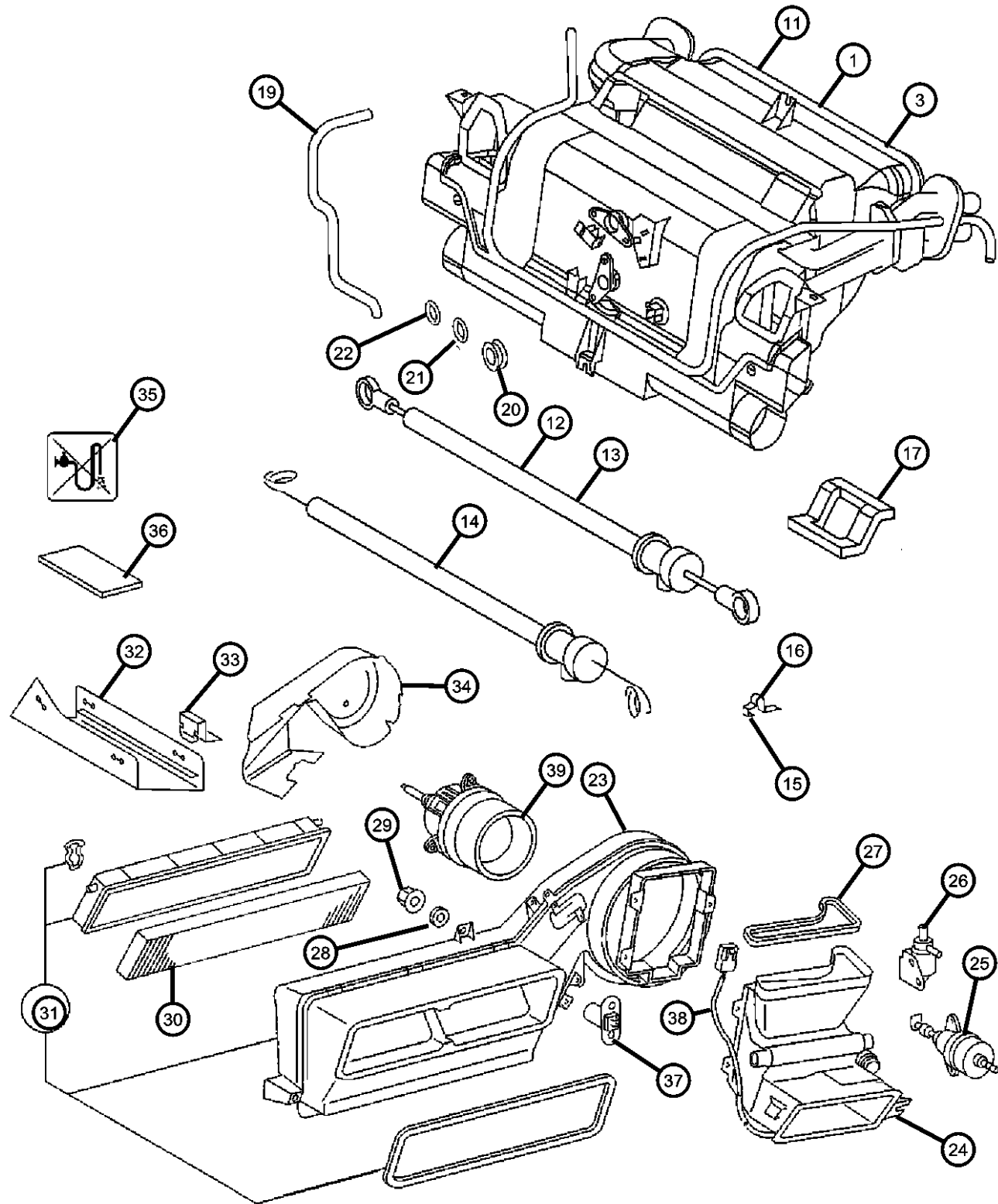
BODY
 01 = CHASSIS FORWARD CONTROL W.B.1
 02 = CAB CHASSIS WHEEL BASE 2
 06 = CAB CHASSIS WHEEL BASE 6
 11 = VAN WHEEL BASE 1
 12 = VAN WHEEL BASE 2
 51 = WAGON WHEEL BASE 1
 52 = WAGON WHEEL BASE 2
 14 = VAN WHEEL BASE 4
 15 = VAN WHEEL BASE 5
 54 = WAGON WHEEL BASE 4
 55 = WAGON WHEEL BASE 5
 56 = WAGON WHEEL BASE 6
 16 = VAN WHEEL BASE 6

ENGINE
 EX8 = 2.7L I5 Turbo Diesel Engine
 EX9 = 2.7L I5 Mercedes-Benz TD Engine

TRANSMISSION
 DGJ = 5-Speed Automatic MB Transmission
 DGZ = 4-Spd. Automatic MT643 Transmission

AR = use ase required - = Non illustrated part

Hevac Unit, Front
Figure 24-130



ITEM	PART NUMBER	QTY	LINE	SERIES	BODY	ENGINE	TRANS	TRIM	DESCRIPTION
------	-------------	-----	------	--------	------	--------	-------	------	-------------

39									BLOWER
	05133435AA	1	2, 6		01, 02, 06	EX8			
		1	2, 6		11, 12, 14, 15, 16	EX8			
		1	2, 6		51, 52, 54, 55, 56	EX8			
		1	3, 7		02, 06	EX8			
		1	3, 7		12, 15, 16	EX8			

SPRINTER (VA)

SERIES
L = LOWLINE

LINE

3 = HD DODGE 2WD
8 = HD DODGE 4WD
6 = Lt. Duty DODGE 4WD
2 = Med. Duty DODGE 2WD
7 = Med. Duty DODGE 4WD
4 = TRUCK

BODY

01 = CHASSIS FORWARD CONTROL W.B.1
02 = CAB CHASSIS WHEEL BASE 2
06 = CAB CHASSIS WHEEL BASE 6
11 = VAN WHEEL BASE 1
12 = VAN WHEEL BASE 2
51 = WAGON WHEEL BASE 1
52 = WAGON WHEEL BASE 2
14 = VAN WHEEL BASE 4
15 = VAN WHEEL BASE 5
54 = WAGON WHEEL BASE 4
55 = WAGON WHEEL BASE 5
56 = WAGON WHEEL BASE 6
16 = VAN WHEEL BASE 6

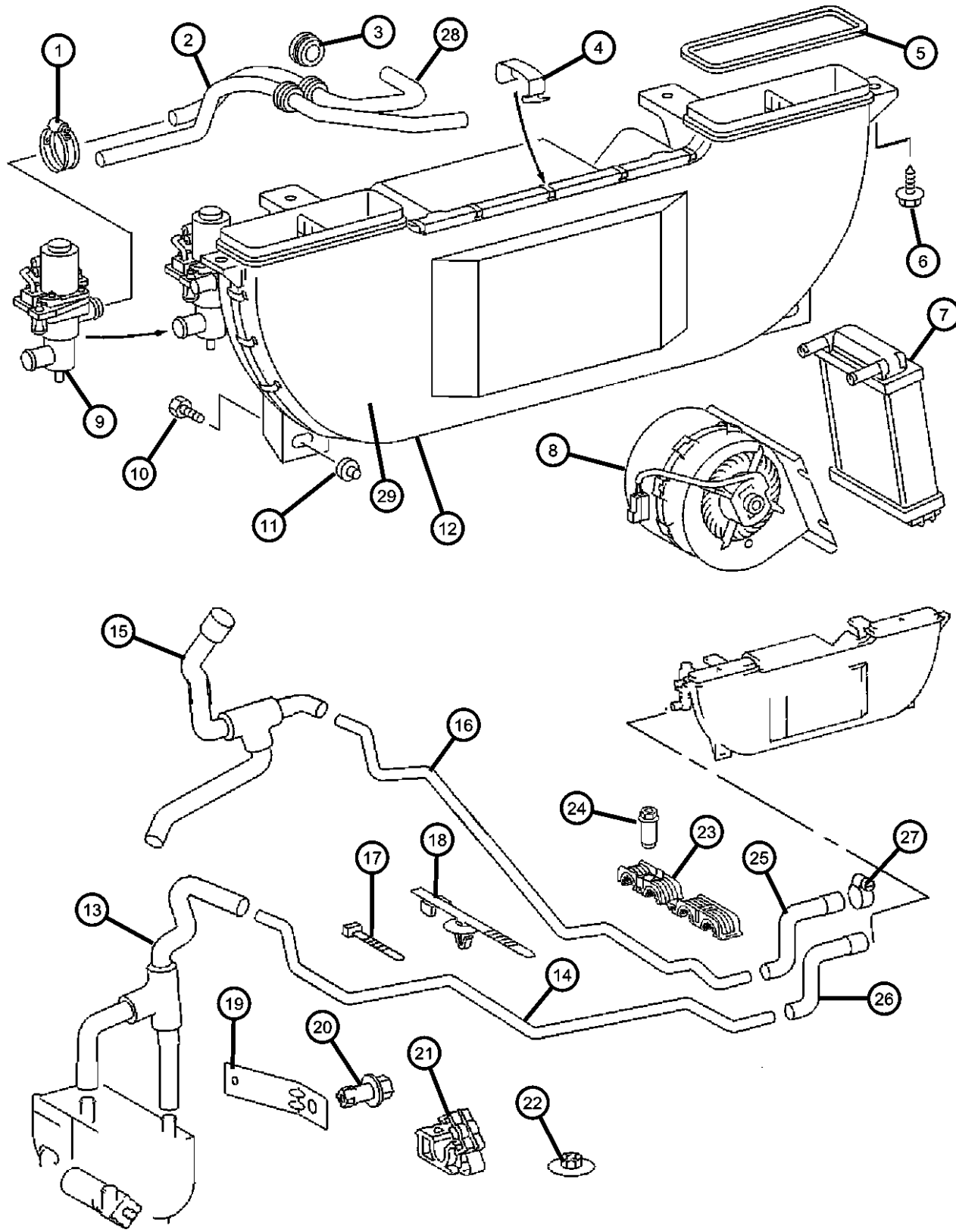
ENGINE

EX8 = 2.7L I5 Turbo Diesel Engine
EX9 = 2.7L I5 Mercedes-Benz TD Engine

TRANSMISSION

DGJ = 5-Speed Automatic MB Transmission
DGZ = 4-Spd. Automatic MT643 Transmission

**Heat Exchanger and Plumbing
Figure 24-210**



ITEM	PART NUMBER	QTY	LINE	SERIES	BODY	ENGINE	TRANS	TRIM	DESCRIPTION
1	06104781AA	1	2, 6		51, 52, 54, 55, 56	EX8			CLAMP, Hose
		6	3, 7		12, 15, 16	EX8			
		1	2, 6		11, 12, 14, 15, 16	EX8			
2	05133587AA	1	2, 6		11, 12, 14, 15, 16	EX8			LINE, Heater
		1	2, 6		51, 52, 54, 55, 56	EX8			
		1	3, 7		12, 15, 16	EX8			
3	05133588AA	1	2, 6		11, 12, 14, 15, 16	EX8			GROMMET
		1	2, 6		51, 52, 54, 55, 56	EX8			
		2	3, 7		12, 15, 16	EX8			
4	05133592AA	22	2, 6		11, 12, 14, 15, 16	EX8			CLIP, HEATER
		22	2, 6		51, 52, 54, 55, 56	EX8			
		22	3, 7		12, 15, 16	EX8			
5	05133593AA	1	2, 6		51, 52, 54, 55, 56	EX8			GASKET, Heater duct
		1	3, 7		12, 15, 16	EX8			
		1	2, 6		11, 12, 14, 15, 16	EX8			
6	06104580AA	2	2, 6		11, 12, 14, 15, 16	EX8			SCREW, Tapping
		2	2, 6		51, 52, 54, 55, 56	EX8			

SPRINTER (VA)

SERIES

L = LOWLINE
 3 = HD DODGE 2WD
 8 = HD DODGE 4WD
 6 = Lt. Duty DODGE 4WD
 2 = Med. Duty DODGE 2WD
 7 = Med. Duty DODGE 4WD
 4 = TRUCK

BODY

01 = CHASSIS FORWARD CONTROL W.B.1
 02 = CAB CHASSIS WHEEL BASE 2
 06 = CAB CHASSIS WHEEL BASE 6
 11 = VAN WHEEL BASE 1
 12 = VAN WHEEL BASE 2
 51 = WAGON WHEEL BASE 1
 52 = WAGON WHEEL BASE 2
 14 = VAN WHEEL BASE 4
 15 = VAN WHEEL BASE 5
 54 = WAGON WHEEL BASE 4
 55 = WAGON WHEEL BASE 5
 56 = WAGON WHEEL BASE 6
 16 = VAN WHEEL BASE 6

ENGINE

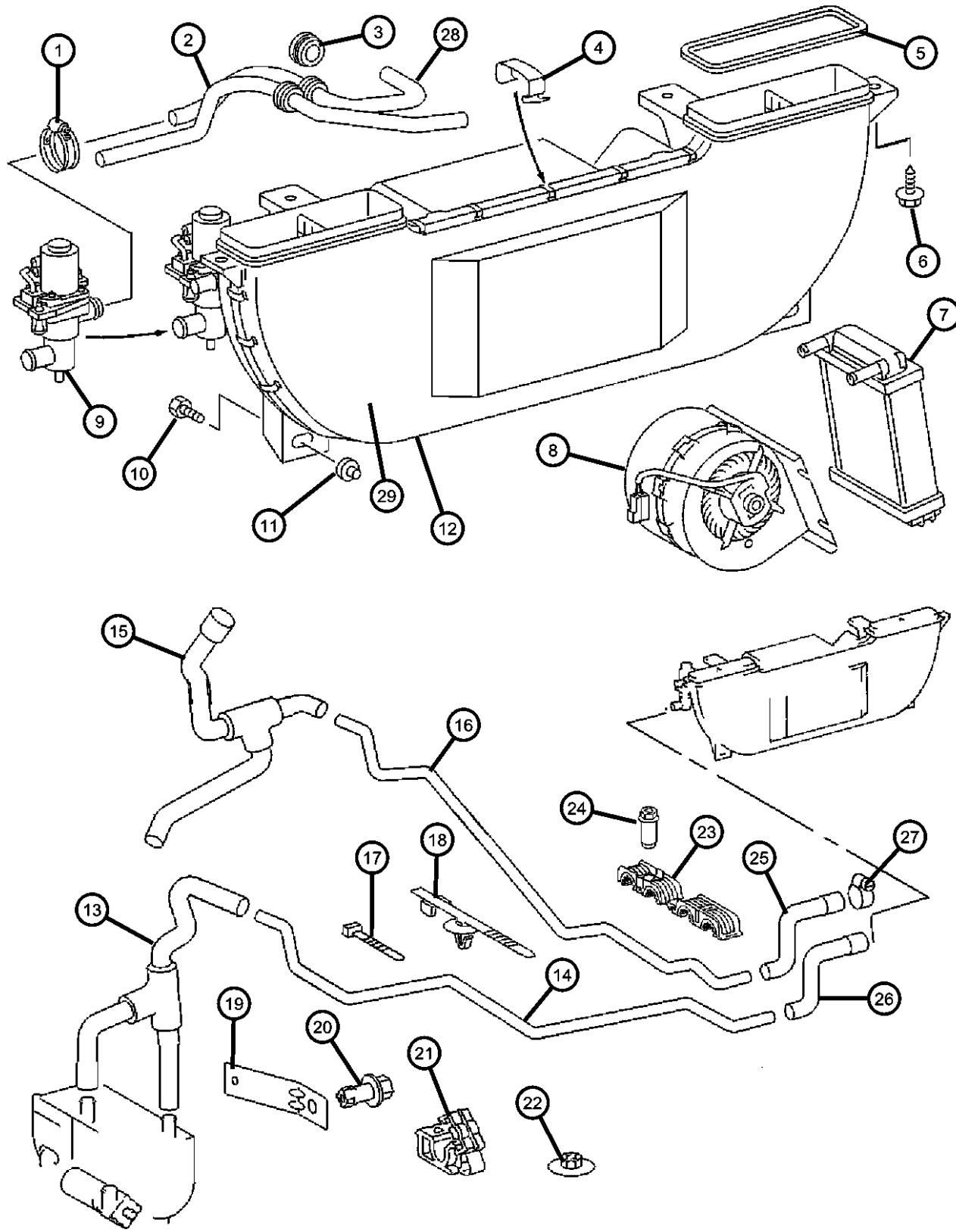
EX8 = 2.7L I5 Turbo Diesel Engine
 EX9 = 2.7L I5 Mercedes-Benz TD Engine

TRANSMISSION

DGJ = 5-Speed Automatic MB Transmission
 DGZ = 4-Spd. Automatic MT643 Transmission

AR = use ase required - = Non illustrated part

**Heat Exchanger and Plumbing
Figure 24-210**



ITEM	PART NUMBER	QTY	LINE	SERIES	BODY	ENGINE	TRANS	TRIM	DESCRIPTION
		1	2, 6		01, 02, 06	EX8			
		2	3, 7		12, 15, 16	EX8			
		1	3, 7		02, 06	EX8			
7	05133586AA	1	2, 6		11, 12, 14, 15, 16	EX8			CORE, Heater
		1	2, 6		51, 52, 54, 55, 56	EX8			
		1	3, 7		12, 15, 16	EX8			
8	05103806AA	1	2, 6		11, 12, 14, 15, 16	EX8			BLOWER
		1	2, 6		51, 52, 54, 55, 56	EX8			
		1	3, 7		12, 15, 16	EX8			
9	05103807AA	1	2, 6		11, 12, 14, 15, 16	EX8			VALVE, Water
		1	2, 6		51, 52, 54, 55, 56	EX8			
		1	3, 7		12, 15, 16	EX8			
10	05126227AA	2	2, 6		01, 02, 06	EX8			BOLT, Hex Head
		2	2, 6		11, 12, 14, 15, 16	EX8			
		2	2, 6		51, 52, 54, 55, 56	EX8			
		2	3, 7		02, 06	EX8			
11	05133486AA	2	2, 6		01, 02, 06	EX8			RIVET
		2	3, 7		12, 15, 16	EX8			

SPRINTER (VA)

SERIES

L = LOWLINE
 3 = HD DODGE 2WD
 8 = HD DODGE 4WD
 6 = Lt. Duty DODGE 4WD
 2 = Med. Duty DODGE 2WD
 7 = Med. Duty DODGE 4WD
 4 = TRUCK

BODY

01 = CHASSIS FORWARD CONTROL W.B.1
 02 = CAB CHASSIS WHEEL BASE 2
 06 = CAB CHASSIS WHEEL BASE 6
 11 = VAN WHEEL BASE 1
 12 = VAN WHEEL BASE 2
 51 = WAGON WHEEL BASE 1
 52 = WAGON WHEEL BASE 2
 14 = VAN WHEEL BASE 4
 15 = VAN WHEEL BASE 5
 54 = WAGON WHEEL BASE 4
 55 = WAGON WHEEL BASE 5
 56 = WAGON WHEEL BASE 6
 16 = VAN WHEEL BASE 6

ENGINE

EX8 = 2.7L I5 Turbo Diesel Engine
 EX9 = 2.7L I5 Mercedes-Benz TD Engine

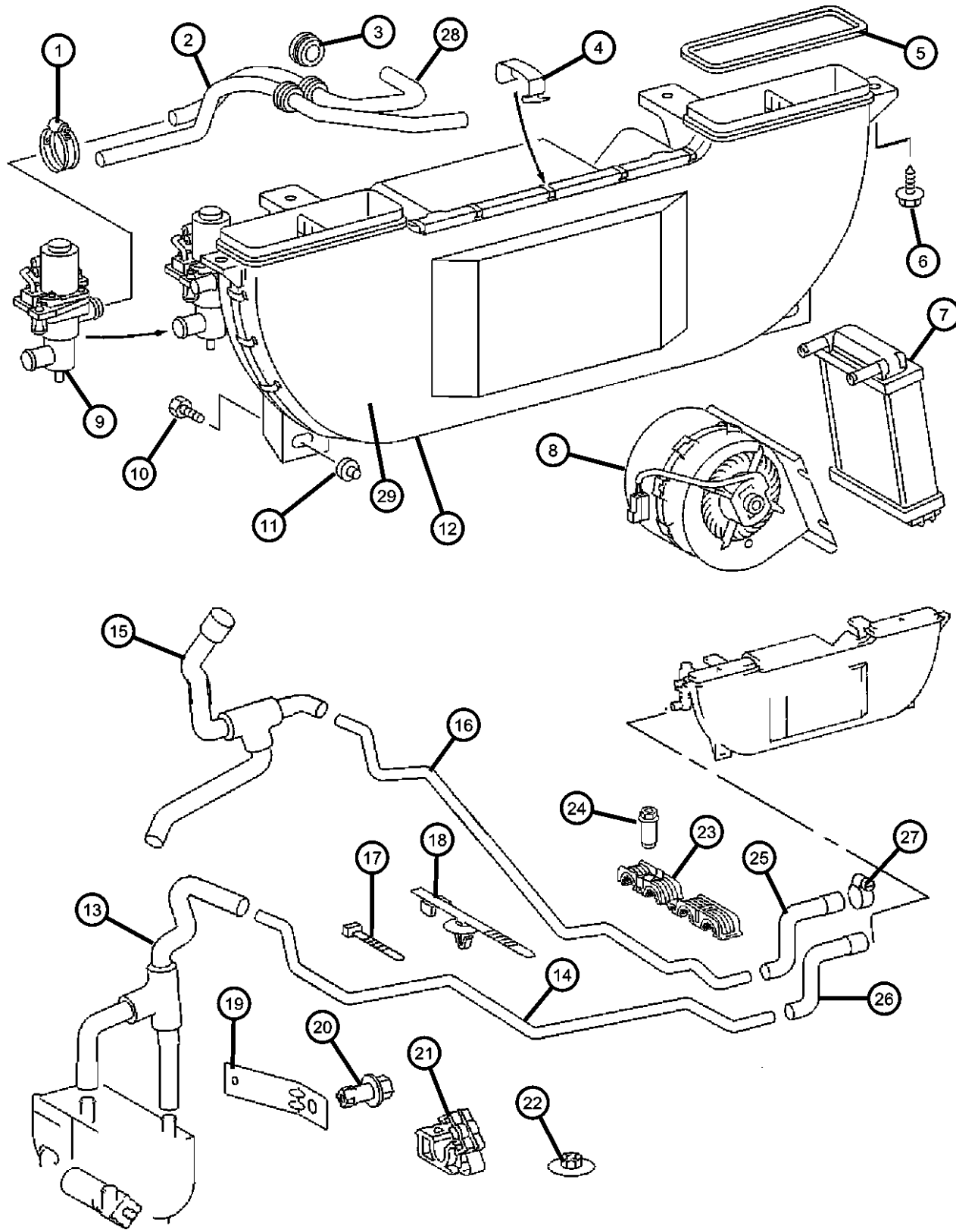
TRANSMISSION

DGJ = 5-Speed Automatic MB Transmission
 DGZ = 4-Spd. Automatic MT643 Transmission

AR = use ase required - = Non illustrated part

2006 VA

**Heat Exchanger and Plumbing
Figure 24-210**



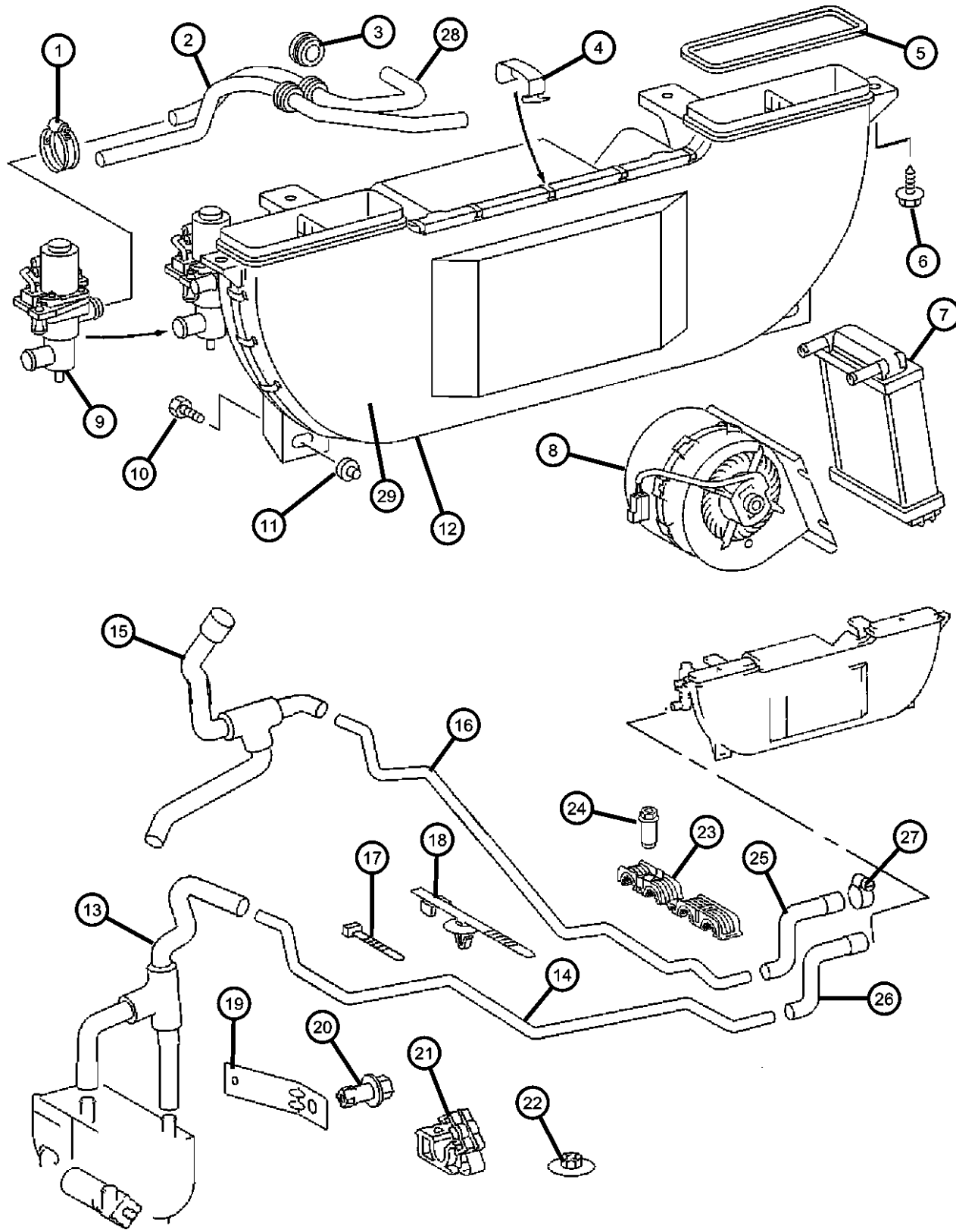
ITEM	PART NUMBER	QTY	LINE	SERIES	BODY	ENGINE	TRANS	TRIM	DESCRIPTION
		2	2, 6		11, 12, 14, 15, 16	EX8			
		2	2, 6		51, 52, 54, 55, 56	EX8			
		2	3, 7		02, 06	EX8			
12	05124700AA	1	2, 6		11, 12, 14, 15, 16	EX8			HEATER
		1	2, 6		51, 52, 54, 55, 56	EX8			
		1	3, 7		12, 15, 16	EX8			
13	05124886AA	1	2, 6		11, 12, 14, 15, 16	EX8			HOSE, Auxiliary Heater
		1	2, 6		51, 52, 54, 55, 56	EX8			
		1	3, 7		12, 15, 16	EX8			
14	05124826AA	1	3, 7		12, 15, 16	EX8			TUBE, Heater
		1	2, 6		11, 12, 14, 15, 16	EX8			
		1	2, 6		51, 52, 54, 55, 56	EX8			
15	05124837AA	1	2, 6		51, 52, 54, 55, 56	EX8			HOSE
		1	3, 7		02, 06	EX8			
		1	3, 7		12, 15, 16	EX8			
		1	2, 6		01, 02, 06	EX8			
		1	2, 6		11, 12, 14, 15, 16	EX8			
16									TUBE, Heater

SPRINTER (VA)

SERIES	LINE	BODY	ENGINE	TRANSMISSION
L = LOWLINE	3 = HD DODGE 2WD 8 = HD DODGE 4WD 6 = Lt. Duty DODGE 4WD 2 = Med. Duty DODGE 2WD 7 = Med. Duty DODGE 4WD 4 = TRUCK	01 = CHASSIS FORWARD CONTROL W.B.1 02 = CAB CHASSIS WHEEL BASE 2 06 = CAB CHASSIS WHEEL BASE 6 11 = VAN WHEEL BASE 1 12 = VAN WHEEL BASE 2 51 = WAGON WHEEL BASE 1 52 = WAGON WHEEL BASE 2 14 = VAN WHEEL BASE 4 15 = VAN WHEEL BASE 5 54 = WAGON WHEEL BASE 4 55 = WAGON WHEEL BASE 5 56 = WAGON WHEEL BASE 6 16 = VAN WHEEL BASE 6	EX8 = 2.7L I5 Turbo Diesel Engine EX9 = 2.7L I5 Mercedes-Benz TD Engine	DGJ = 5-Speed Automatic MB Transmission DGZ = 4-Spd. Automatic MT643 Transmission

AR = use ase required - = Non illustrated part

**Heat Exchanger and Plumbing
Figure 24-210**



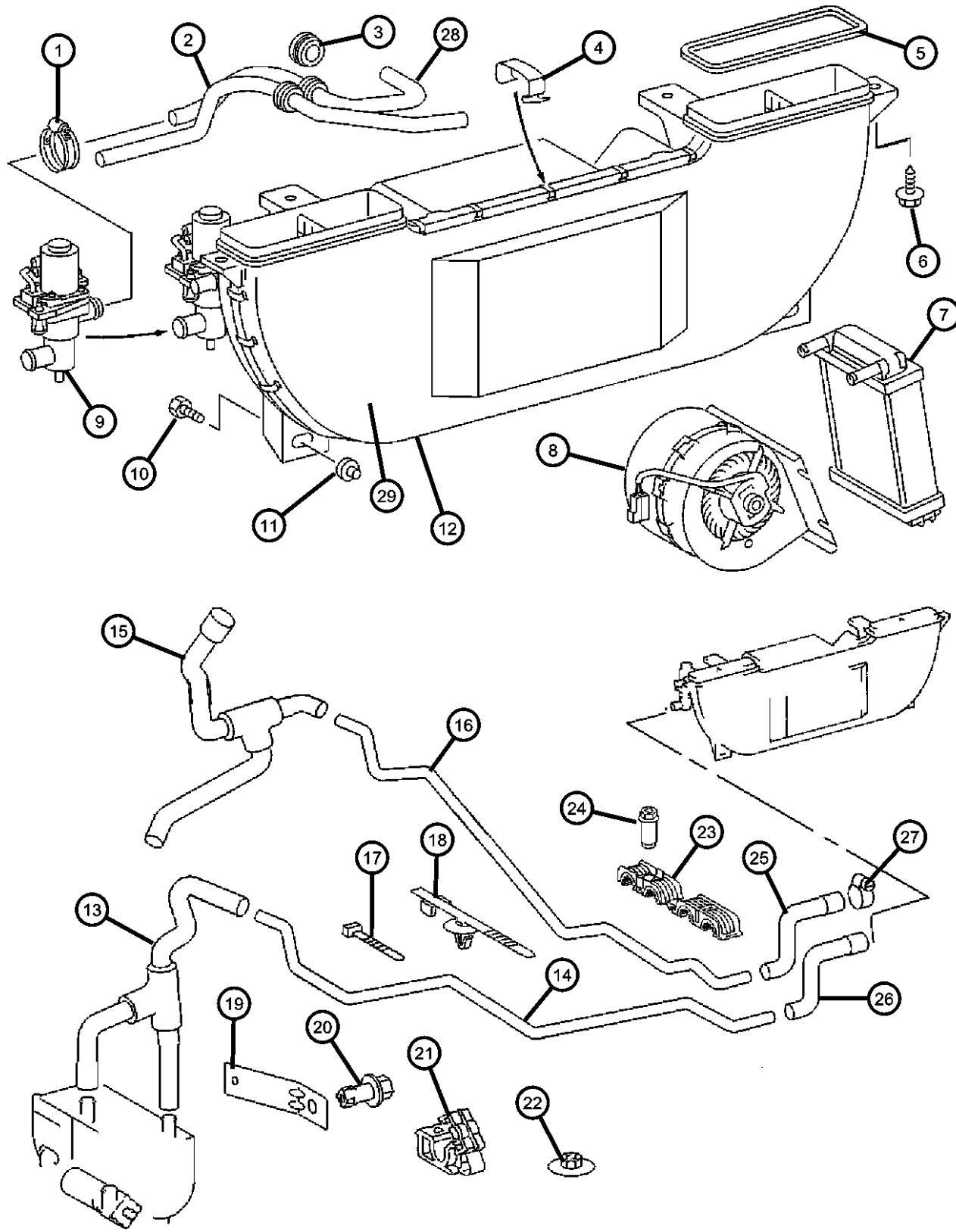
ITEM	PART NUMBER	QTY	LINE	SERIES	BODY	ENGINE	TRANS	TRIM	DESCRIPTION
	05124820AA	1	2, 6		11, 12, 14, 15, 16	EX8			
		1	2, 6		51, 52, 54, 55, 56	EX8			
		1	3, 7		12, 15, 16	EX8			
17	05080475AB	1	2, 6		01, 02, 06	EX8			STRAP, Tie
		1	2, 6		11, 12, 14, 15, 16	EX8			
		1	2, 6		51, 52, 54, 55, 56	EX8			
		1	3, 7		02, 06	EX8			
		1	3, 7		12, 15, 16	EX8			
18	05126053AA	1	2, 6		11, 12, 14, 15, 16	EX8			STRAP, Tie
		1	2, 6		51, 52, 54, 55, 56	EX8			
		1	2, 6		01, 02, 06	EX8			
		1	3, 7		02, 06	EX8			
		1	3, 7		12, 15, 16	EX8			
19	05124814AA	1	2, 6		11, 12, 14, 15, 16	EX8			BRACKET, Recirculating Pump
		1	2, 6		51, 52, 54, 55, 56	EX8			
		1	3, 7		12, 15, 16	EX8			
20	05125594AA	1	2, 6		11, 12, 14, 15, 16	EX8			NUT, Push In
		1	2, 6		51, 52, 54, 55, 56	EX8			
		1	3, 7		12, 15, 16	EX8			

SPRINTER (VA)

SERIES	LINE	BODY	ENGINE	TRANSMISSION
L = LOWLINE	3 = HD DODGE 2WD 8 = HD DODGE 4WD 6 = Lt. Duty DODGE 4WD 2 = Med. Duty DODGE 2WD 7 = Med. Duty DODGE 4WD 4 = TRUCK	01 = CHASSIS FORWARD CONTROL W.B.1 02 = CAB CHASSIS WHEEL BASE 2 06 = CAB CHASSIS WHEEL BASE 6 11 = VAN WHEEL BASE 1 12 = VAN WHEEL BASE 2 51 = WAGON WHEEL BASE 1 52 = WAGON WHEEL BASE 2 14 = VAN WHEEL BASE 4 15 = VAN WHEEL BASE 5 54 = WAGON WHEEL BASE 4 55 = WAGON WHEEL BASE 5 56 = WAGON WHEEL BASE 6 16 = VAN WHEEL BASE 6	EX8 = 2.7L I5 Turbo Diesel Engine EX9 = 2.7L I5 Mercedes-Benz TD Engine	DGJ = 5-Speed Automatic MB Transmission DGZ = 4-Spd. Automatic MT643 Transmission

AR = use ase required - = Non illustrated part

**Heat Exchanger and Plumbing
Figure 24-210**



ITEM	PART NUMBER	QTY	LINE	SERIES	BODY	ENGINE	TRANS	TRIM	DESCRIPTION
21	05125886AA	3	2, 6		11, 12, 14, 15, 16	EX8			CLAMP, Heater Hose
		3	2, 6		51, 52, 54, 55, 56	EX8			
		3	3, 7		12, 15, 16	EX8			
22	05125592AA	1	2, 6		01, 02, 06	EX8			PLUG, Button
		1	2, 6		11, 12, 14, 15, 16	EX8			
		1	2, 6		51, 52, 54, 55, 56	EX8			
		1	3, 7		02, 06	EX8			
		1	3, 7		12, 15, 16	EX8			
23	05125882AA	5	2, 6		11, 12, 14, 15, 16	EX8			CLAMP, Heater Hose
		5	2, 6		51, 52, 54, 55, 56	EX8			
		5	3, 7		12, 15, 16	EX8			
24	06104910AA	5	2, 6		11, 12, 14, 15, 16	EX8			NUT, Heater
		5	2, 6		51, 52, 54, 55, 56	EX8			
		5	3, 7		12, 15, 16	EX8			
		2	3, 7		12, 15	EX8			
25	05124841AA	1	2, 6		11, 12, 14, 15, 16	EX8			HOSE, Heater
		1	2, 6		51, 52, 54, 55, 56	EX8			
		1	3, 7		12, 15, 16	EX8			

SPRINTER (VA)

SERIES

L = LOWLINE
 3 = HD DODGE 2WD
 8 = HD DODGE 4WD
 6 = Lt. Duty DODGE 4WD
 2 = Med. Duty DODGE 2WD
 7 = Med. Duty DODGE 4WD
 4 = TRUCK

BODY

01 = CHASSIS FORWARD CONTROL W.B.1
 02 = CAB CHASSIS WHEEL BASE 2
 06 = CAB CHASSIS WHEEL BASE 6
 11 = VAN WHEEL BASE 1
 12 = VAN WHEEL BASE 2
 51 = WAGON WHEEL BASE 1
 52 = WAGON WHEEL BASE 2
 14 = VAN WHEEL BASE 4
 15 = VAN WHEEL BASE 5
 54 = WAGON WHEEL BASE 4
 55 = WAGON WHEEL BASE 5
 56 = WAGON WHEEL BASE 6
 16 = VAN WHEEL BASE 6

ENGINE

EX8 = 2.7L I5 Turbo Diesel Engine
 EX9 = 2.7L I5 Mercedes-Benz TD Engine

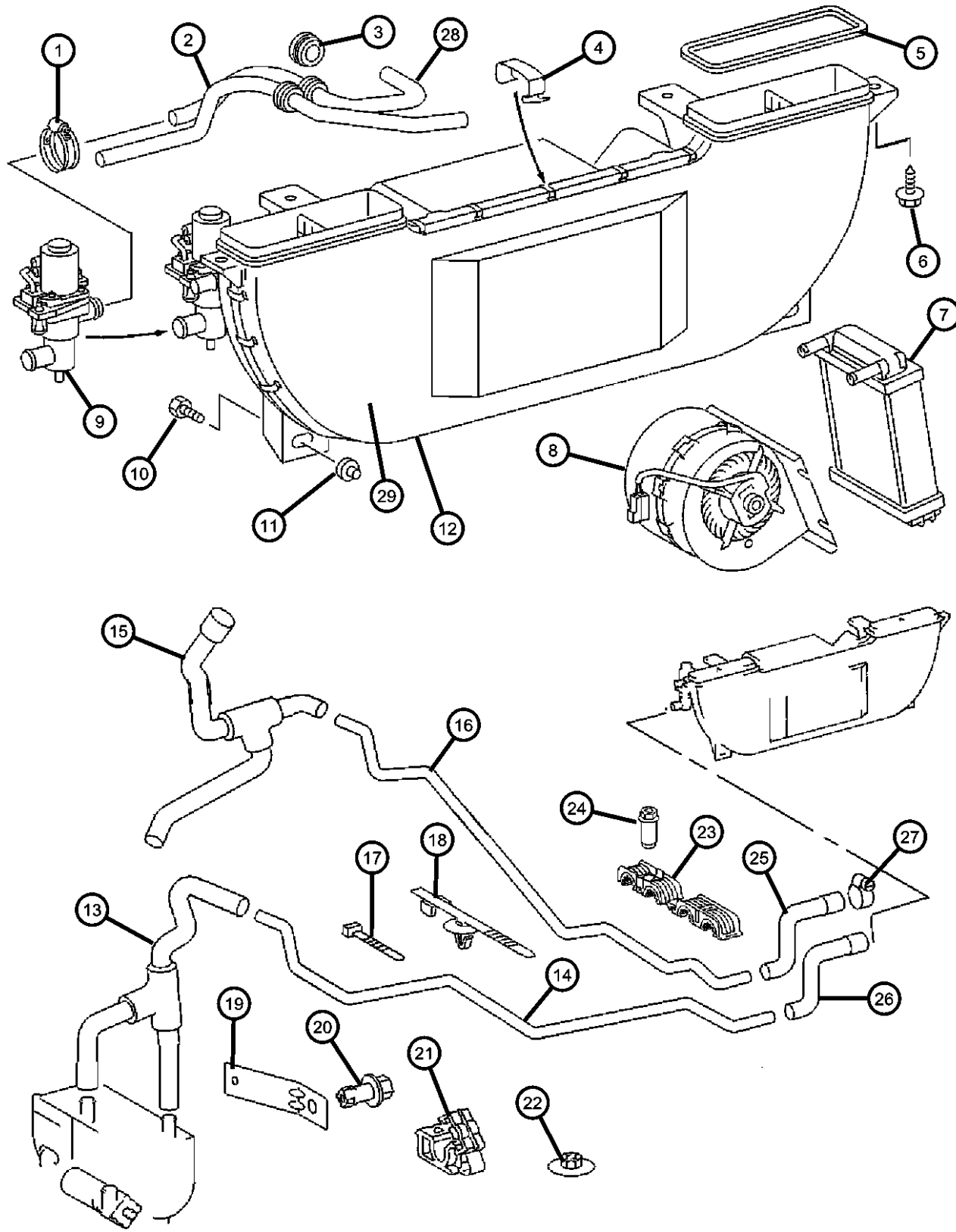
TRANSMISSION

DGJ = 5-Speed Automatic MB Transmission
 DGZ = 4-Spd. Automatic MT643 Transmission

AR = use ase required - = Non illustrated part

2006 VA

**Heat Exchanger and Plumbing
Figure 24-210**



ITEM	PART NUMBER	QTY	LINE	SERIES	BODY	ENGINE	TRANS	TRIM	DESCRIPTION
26	05124885AA	1	2, 6		11, 12, 14, 15, 16	EX8			HOSE, Heater
		1	2, 6		51, 52, 54, 55, 56	EX8			
		1	3, 7		12, 15, 16	EX8			
27	06104780AA	1	2, 6		01, 02, 06	EX8			CLAMP
		1	2, 6		11, 12, 14, 15, 16	EX8			
		1	2, 6		51, 52, 54, 55, 56	EX8			
		1	3, 7		02, 06	EX8			
28	05133889AA	1	3, 7		12, 15, 16	EX8			HOSE, Heater
29	05133591AA	1	2, 6		11, 12, 14, 15, 16	EX8			COVER
		1	2, 6		51, 52, 54, 55, 56	EX8			
		1	3, 7		12, 15, 16	EX8			

SPRINTER (VA)

SERIES
L = LOWLINE

LINE

3 = HD DODGE 2WD
8 = HD DODGE 4WD
6 = Lt. Duty DODGE 4WD
2 = Med. Duty DODGE 2WD
7 = Med. Duty DODGE 4WD
4 = TRUCK

BODY

01 = CHASSIS FORWARD CONTROL W.B.1
02 = CAB CHASSIS WHEEL BASE 2
06 = CAB CHASSIS WHEEL BASE 6
11 = VAN WHEEL BASE 1
12 = VAN WHEEL BASE 2
51 = WAGON WHEEL BASE 1
52 = WAGON WHEEL BASE 2
14 = VAN WHEEL BASE 4
15 = VAN WHEEL BASE 5
54 = WAGON WHEEL BASE 4
55 = WAGON WHEEL BASE 5
56 = WAGON WHEEL BASE 6
16 = VAN WHEEL BASE 6

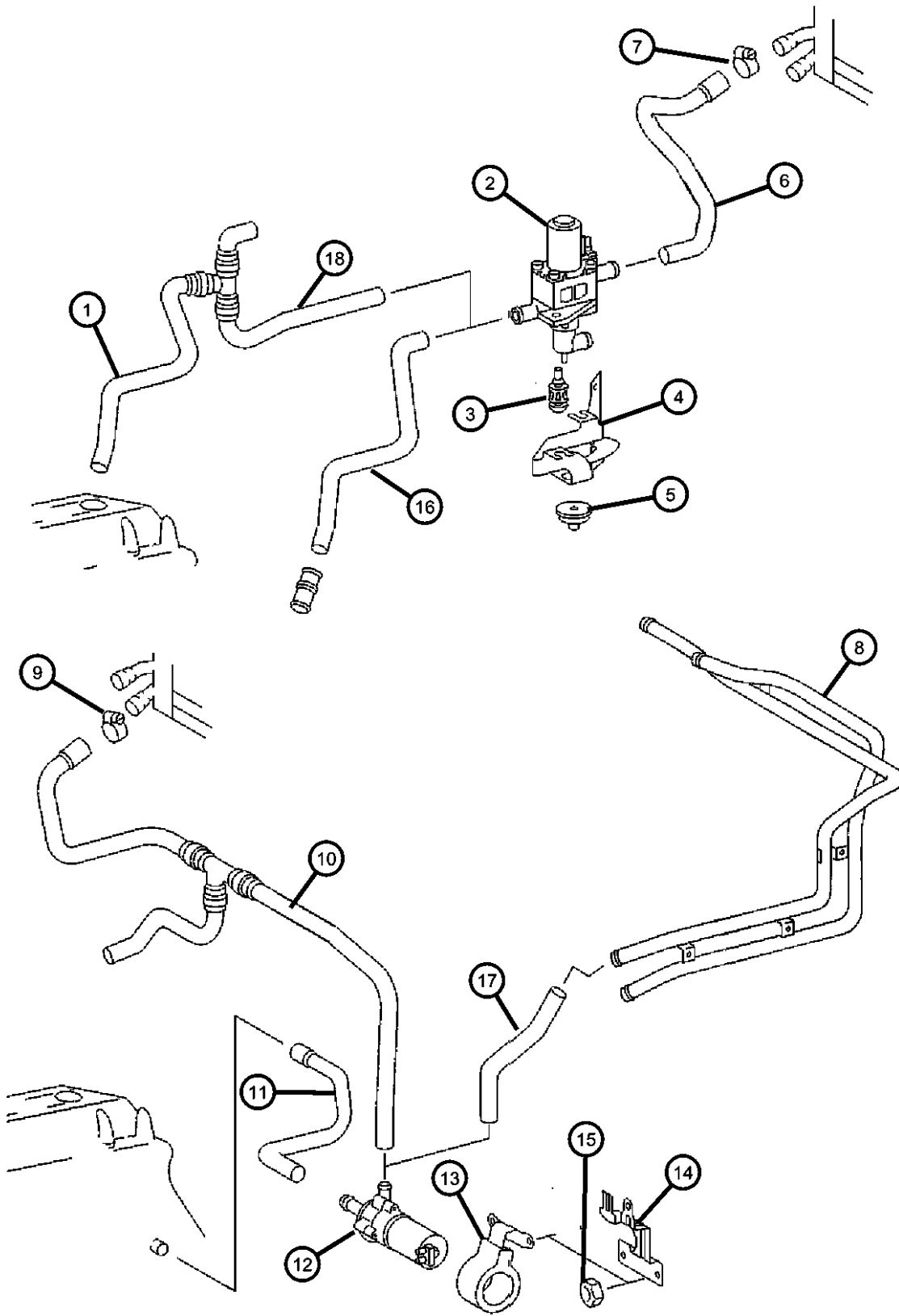
ENGINE

EX8 = 2.7L I5 Turbo Diesel Engine
EX9 = 2.7L I5 Mercedes-Benz TD Engine

TRANSMISSION

DGJ = 5-Speed Automatic MB Transmission
DGZ = 4-Spd. Automatic MT643 Transmission

Plumbing, Heater
Figure 24-220



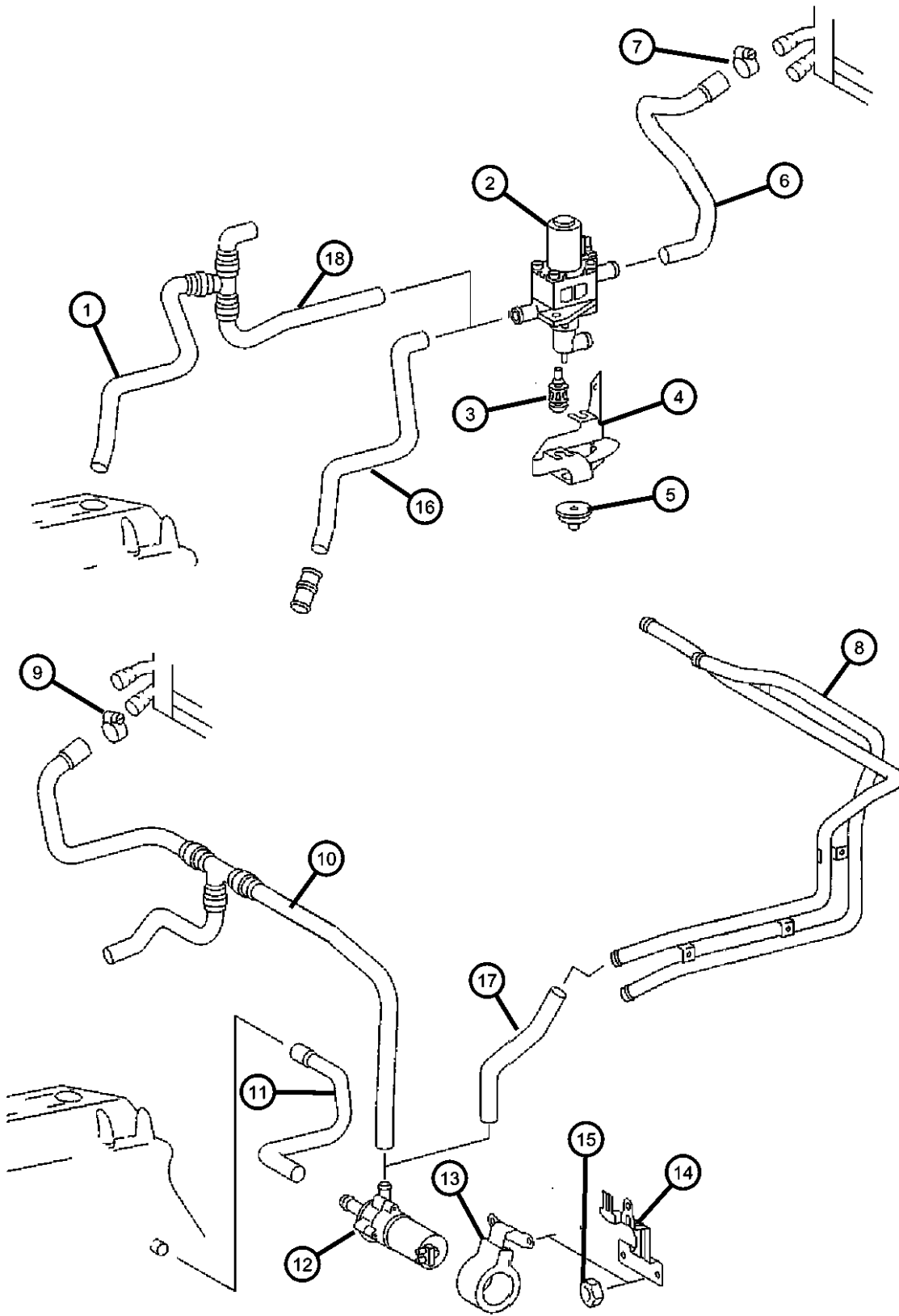
ITEM	PART NUMBER	QTY	LINE	SERIES	BODY	ENGINE	TRANS	TRIM	DESCRIPTION
1	05104488AA	1	2, 6		01, 02, 06	EX8			HOSE
		1	2, 6		11, 12, 14, 15, 16	EX8			
		1	2, 6		51, 52, 54, 55, 56	EX8			
		1	3, 7		02, 06	EX8			
		1	3, 7		12, 15, 16	EX8			
2	05103770AA	1	2, 6		01, 02, 06	EX8			VALVE, Water
		1	2, 6		11, 12, 14, 15, 16	EX8			
		1	2, 6		51, 52, 54, 55, 56	EX8			
		1	3, 7		02, 06	EX8			
		1	3, 7		12, 15, 16	EX8			
3	05096558AA	2	2, 6		01, 02, 06	EX8			GROMMET
		2	2, 6		11, 12, 14, 15, 16	EX8			
		2	2, 6		51, 52, 54, 55, 56	EX8			
		2	3, 7		02, 06	EX8			
		2	3, 7		12, 15, 16	EX8			
4	05124791AA	1	2, 6		01, 02, 06	EX8			BRACKET, Recirculating Pump
		1	2, 6		11, 12, 14, 15, 16	EX8			
		1	2, 6		51, 52, 54, 55, 56	EX8			
		1	3, 7		02, 06	EX8			
		1	3, 7		12, 15, 16	EX8			

SPRINTER (VA)

SERIES	LINE	BODY	ENGINE	TRANSMISSION
L = LOWLINE	3 = HD DODGE 2WD 8 = HD DODGE 4WD 6 = Lt. Duty DODGE 4WD 2 = Med. Duty DODGE 2WD 7 = Med. Duty DODGE 4WD 4 = TRUCK	01 = CHASSIS FORWARD CONTROL W.B.1 02 = CAB CHASSIS WHEEL BASE 2 06 = CAB CHASSIS WHEEL BASE 6 11 = VAN WHEEL BASE 1 12 = VAN WHEEL BASE 2 51 = WAGON WHEEL BASE 1 52 = WAGON WHEEL BASE 2 14 = VAN WHEEL BASE 4 15 = VAN WHEEL BASE 5 54 = WAGON WHEEL BASE 4 55 = WAGON WHEEL BASE 5 56 = WAGON WHEEL BASE 6 16 = VAN WHEEL BASE 6	EX8 = 2.7L I5 Turbo Diesel Engine EX9 = 2.7L I5 Mercedes-Benz TD Engine	DGJ = 5-Speed Automatic MB Transmission DGZ = 4-Spd. Automatic MT643 Transmission

AR = use ase required - = Non illustrated part

Plumbing, Heater
Figure 24-220



ITEM	PART NUMBER	QTY	LINE	SERIES	BODY	ENGINE	TRANS	TRIM	DESCRIPTION
5	05125504AA	1	2, 6		01, 02, 06	EX8			BUMPER, Rubber
		1	2, 6		11, 12, 14, 15, 16	EX8			
		1	2, 6		51, 52, 54, 55, 56	EX8			
		1	3, 7		02, 06	EX8			
		1	3, 7		12, 15, 16	EX8			
6	05124846AA	1	2, 6		01, 02, 06	EX8			HOSE
		1	2, 6		11, 12, 14, 15, 16	EX8			
		1	2, 6		51, 52, 54, 55, 56	EX8			
		1	3, 7		02, 06	EX8			
		1	3, 7		12, 15, 16	EX8			
7	05126287AA	11	2, 6		01, 02, 06	EX8			CLAMP, CLAMP
		11	2, 6		11, 12, 14, 15, 16	EX8			
		11	2, 6		51, 52, 54, 55, 56	EX8			
		11	3, 7		02, 06	EX8			
		11	3, 7		12, 15, 16	EX8			
8	05124644AA	1	2, 6		01, 02, 06	EX8			TUBE, Heater
		1	2, 6		11, 12, 14, 15, 16	EX8			
		1	2, 6		51, 52, 54, 55, 56	EX8			
		1	3, 7		02, 06	EX8			
		1	3, 7		12, 15, 16	EX8			

SPRINTER (VA)

SERIES
L = LOWLINE

LINE
3 = HD DODGE 2WD
8 = HD DODGE 4WD
6 = Lt. Duty DODGE 4WD
2 = Med. Duty DODGE 2WD
7 = Med. Duty DODGE 4WD
4 = TRUCK

BODY

01 = CHASSIS FORWARD CONTROL W.B.1
02 = CAB CHASSIS WHEEL BASE 2
06 = CAB CHASSIS WHEEL BASE 6
11 = VAN WHEEL BASE 1
12 = VAN WHEEL BASE 2
51 = WAGON WHEEL BASE 1
52 = WAGON WHEEL BASE 2
14 = VAN WHEEL BASE 4
15 = VAN WHEEL BASE 5
54 = WAGON WHEEL BASE 4
55 = WAGON WHEEL BASE 5
56 = WAGON WHEEL BASE 6
16 = VAN WHEEL BASE 6

ENGINE

EX8 = 2.7L I5 Turbo Diesel Engine
EX9 = 2.7L I5 Mercedes-Benz TD Engine

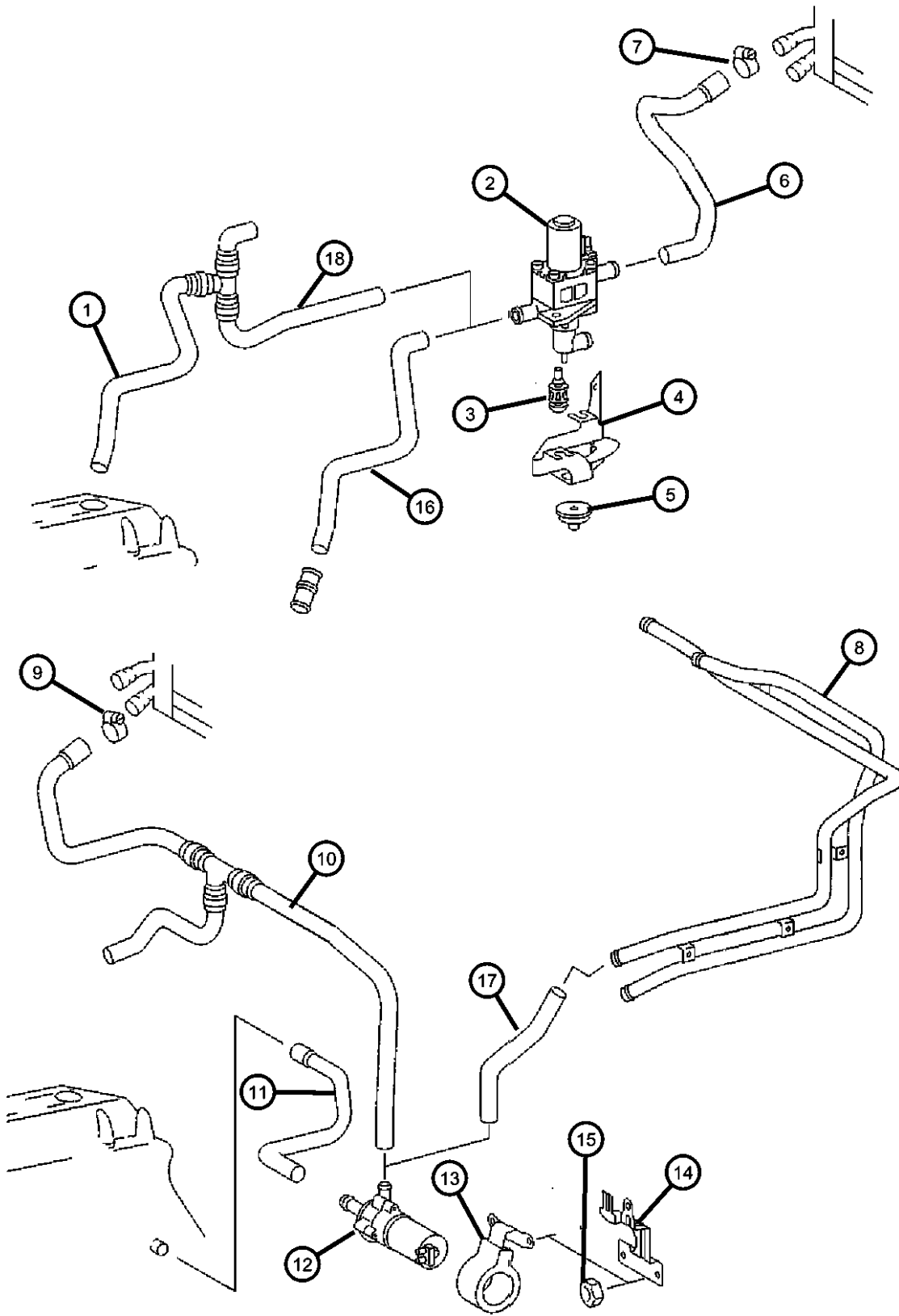
TRANSMISSION

DGJ = 5-Speed Automatic MB Transmission
DGZ = 4-Spd. Automatic MT643 Transmission

AR = use ase required - = Non illustrated part

2006 VA

Plumbing, Heater
Figure 24-220



ITEM	PART NUMBER	QTY	LINE	SERIES	BODY	ENGINE	TRANS	TRIM	DESCRIPTION
9	05104681AA	3	2, 6		01, 02, 06	EX8			CLAMP, Heater Hose
		3	2, 6		11, 12, 14, 15, 16	EX8			
		3	2, 6		51, 52, 54, 55, 56	EX8			
		3	3, 7		02, 06	EX8			
		3	3, 7		12, 15, 16	EX8			
10	05124842AA	1	2, 6		01, 02, 06	EX8			HOSE
		1	2, 6		11, 12, 14, 15, 16	EX8			
		1	2, 6		51, 52, 54, 55, 56	EX8			
		1	3, 7		02, 06	EX8			
		1	3, 7		12, 15, 16	EX8			
11	05104481AA	1	2, 6		01, 02, 06	EX8			HOSE
		1	2, 6		11, 12, 14, 15, 16	EX8			
		1	2, 6		51, 52, 54, 55, 56	EX8			
		1	3, 7		02, 06	EX8			
		1	3, 7		12, 15, 16	EX8			
12	05098398AA	1	2, 6		01, 02, 06	EX8			PUMP, Recirculating
		1	2, 6		11, 12, 14, 15, 16	EX8			
		1	2, 6		51, 52, 54, 55, 56	EX8			
		1	3, 7		02, 06	EX8			
		1	3, 7		12, 15, 16	EX8			

SPRINTER (VA)

SERIES
L = LOWLINE

LINE
3 = HD DODGE 2WD
8 = HD DODGE 4WD
6 = Lt. Duty DODGE 4WD
2 = Med. Duty DODGE 2WD
7 = Med. Duty DODGE 4WD
4 = TRUCK

BODY

01 = CHASSIS FORWARD CONTROL W.B.1
02 = CAB CHASSIS WHEEL BASE 2
06 = CAB CHASSIS WHEEL BASE 6
11 = VAN WHEEL BASE 1
12 = VAN WHEEL BASE 2
51 = WAGON WHEEL BASE 1
52 = WAGON WHEEL BASE 2
14 = VAN WHEEL BASE 4
15 = VAN WHEEL BASE 5
54 = WAGON WHEEL BASE 4
55 = WAGON WHEEL BASE 5
56 = WAGON WHEEL BASE 6
16 = VAN WHEEL BASE 6

ENGINE

EX8 = 2.7L I5 Turbo Diesel Engine
EX9 = 2.7L I5 Mercedes-Benz TD Engine

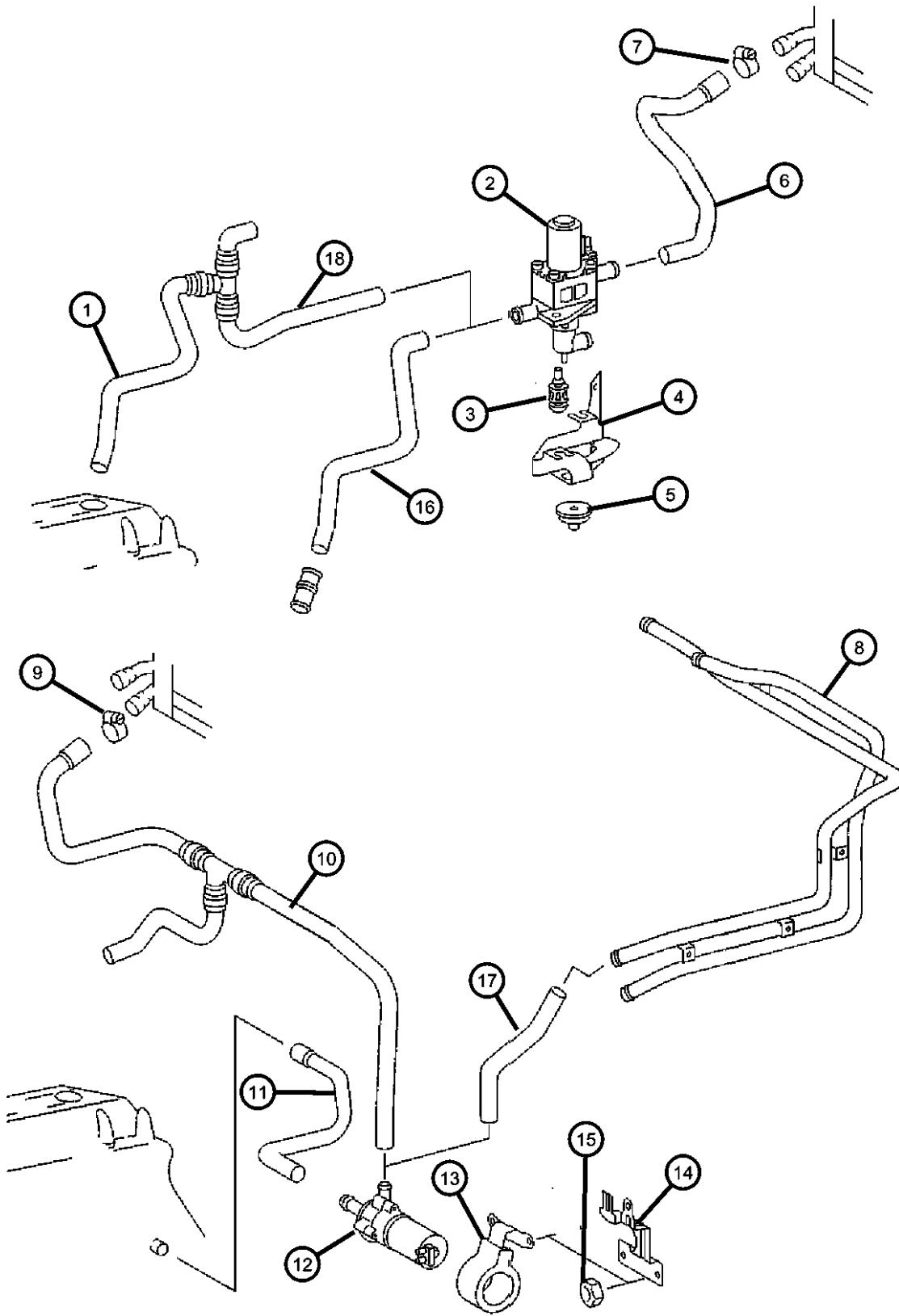
TRANSMISSION

DGJ = 5-Speed Automatic MB Transmission
DGZ = 4-Spd. Automatic MT643 Transmission

AR = use ase required - = Non illustrated part

2006 VA

Plumbing, Heater
Figure 24-220



ITEM	PART NUMBER	QTY	LINE	SERIES	BODY	ENGINE	TRANS	TRIM	DESCRIPTION
13	05124629AA	1	2, 6		01, 02, 06	EX8			BRACKET
		1	2, 6		11, 12, 14, 15, 16	EX8			
		1	2, 6		51, 52, 54, 55, 56	EX8			
		1	3, 7		02, 06	EX8			
		1	3, 7		12, 15, 16	EX8			
14	05124808AA	1	2, 6		11, 12, 14, 15, 16	EX8			BRACKET, Recirculating Pump
		1	2, 6		01, 02, 06	EX8			
		1	2, 6		51, 52, 54, 55, 56	EX8			
		1	3, 7		02, 06	EX8			
		1	3, 7		12, 15, 16	EX8			
15	05127449AA	1	2, 6		01, 02, 06	EX8			NUT, M6x1.00
16	05124844AA	1	2, 6		01, 02, 06	EX8			HOSE
		1	2, 6		11, 12, 14, 15, 16	EX8			
		1	2, 6		51, 52, 54, 55, 56	EX8			
		1	3, 7		02, 06	EX8			
		1	3, 7		12, 15, 16	EX8			
17	05124848AA	1	2, 6		11, 12, 14, 15, 16	EX8			HOSE
		1	2, 6		51, 52, 54, 55, 56	EX8			
		1	3, 7		02, 06	EX8			
		1	3, 7		12, 15, 16	EX8			

SPRINTER (VA)

SERIES
L = LOWLINE

LINE
3 = HD DODGE 2WD
8 = HD DODGE 4WD
6 = Lt. Duty DODGE 4WD
2 = Med. Duty DODGE 2WD
7 = Med. Duty DODGE 4WD
4 = TRUCK

BODY
01 = CHASSIS FORWARD CONTROL W.B.1
02 = CAB CHASSIS WHEEL BASE 2
06 = CAB CHASSIS WHEEL BASE 6
11 = VAN WHEEL BASE 1
12 = VAN WHEEL BASE 2
51 = WAGON WHEEL BASE 1
52 = WAGON WHEEL BASE 2
14 = VAN WHEEL BASE 4
15 = VAN WHEEL BASE 5
54 = WAGON WHEEL BASE 4
55 = WAGON WHEEL BASE 5
56 = WAGON WHEEL BASE 6
16 = VAN WHEEL BASE 6

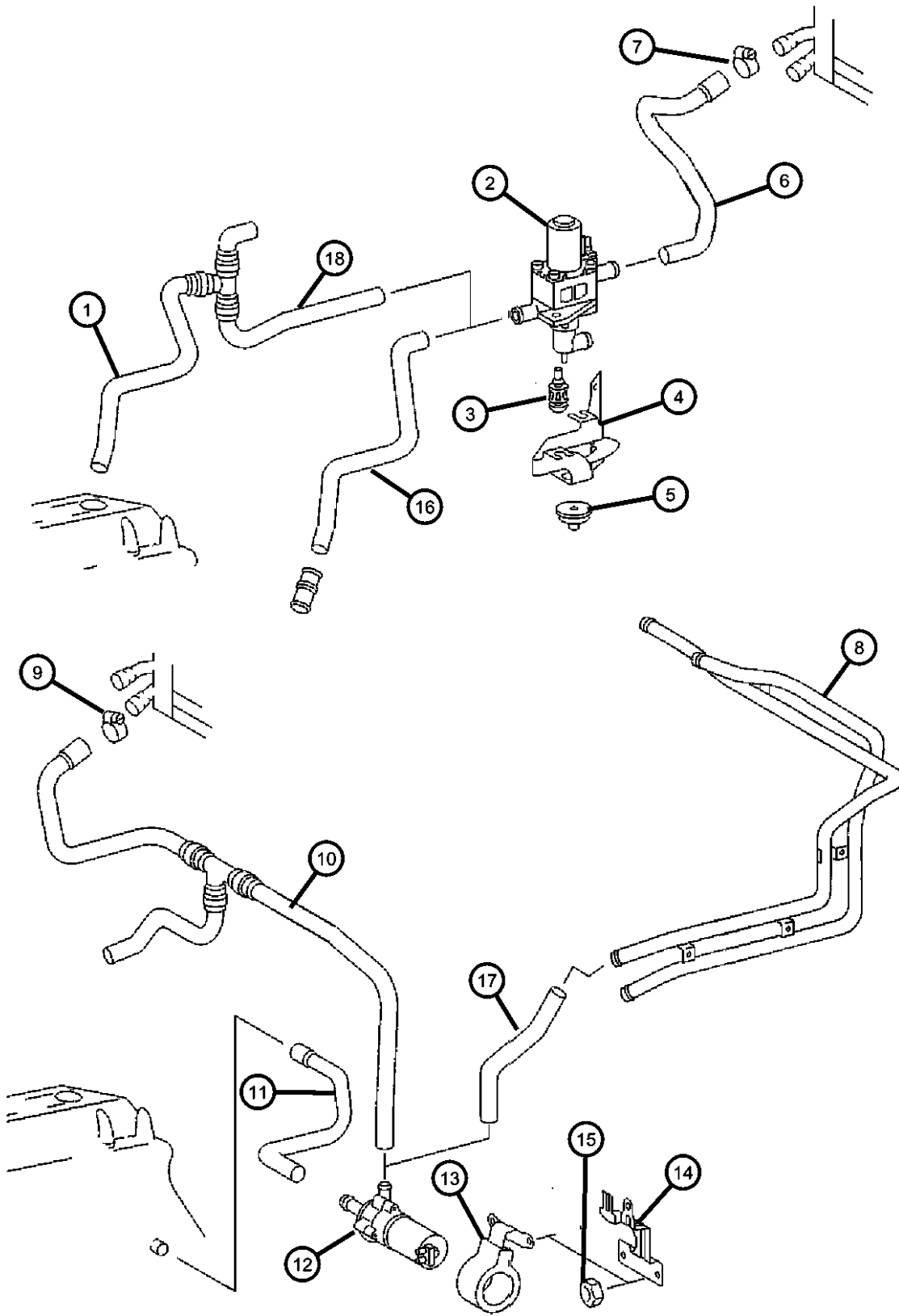
ENGINE
EX8 = 2.7L I5 Turbo Diesel Engine
EX9 = 2.7L I5 Mercedes-Benz TD Engine

TRANSMISSION
DGJ = 5-Speed Automatic MB Transmission
DGZ = 4-Spd. Automatic MT643 Transmission

AR = use ase required - = Non illustrated part

2006 VA

Plumbing, Heater
Figure 24-220



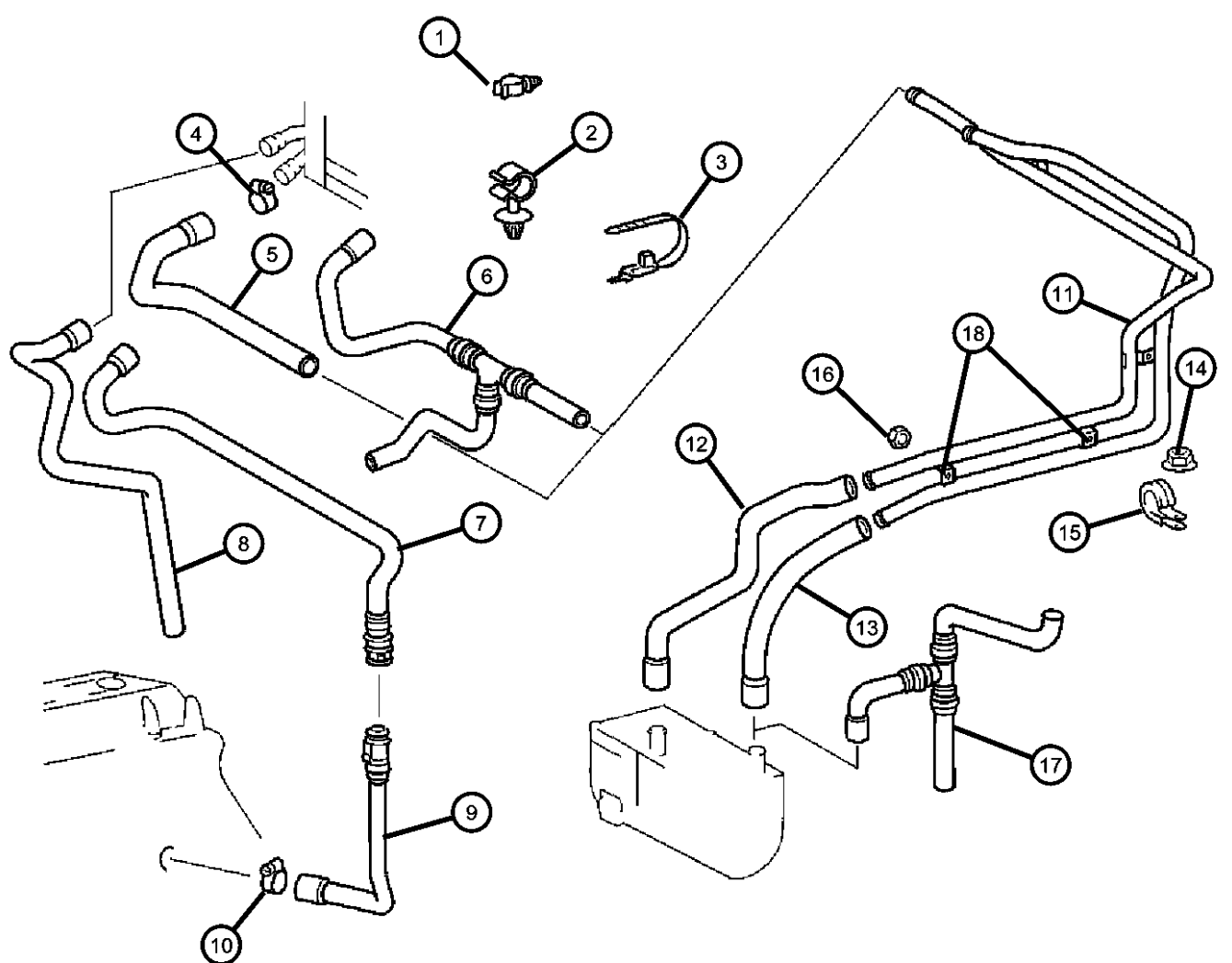
ITEM	PART NUMBER	QTY	LINE	SERIES	BODY	ENGINE	TRANS	TRIM	DESCRIPTION
18		1	2, 6		01, 02, 06	EX8			HOSE, Flexible Exhaust, Supplemental Heater
	05125981AA	1	2, 6		01, 02, 06	EX8			
		1	2, 6		11, 12, 14, 15, 16	EX8			
		1	2, 6		51, 52, 54, 55, 56	EX8			
		1	3, 7		02, 06	EX8			
		1	3, 7		12, 15, 16	EX8			

SPRINTER (VA)

SERIES	LINE	BODY	ENGINE	TRANSMISSION
L = LOWLINE	3 = HD DODGE 2WD 8 = HD DODGE 4WD 6 = Lt. Duty DODGE 4WD 2 = Med. Duty DODGE 2WD 7 = Med. Duty DODGE 4WD 4 = TRUCK	01 = CHASSIS FORWARD CONTROL W.B.1 02 = CAB CHASSIS WHEEL BASE 2 06 = CAB CHASSIS WHEEL BASE 6 11 = VAN WHEEL BASE 1 12 = VAN WHEEL BASE 2 51 = WAGON WHEEL BASE 1 52 = WAGON WHEEL BASE 2 14 = VAN WHEEL BASE 4 15 = VAN WHEEL BASE 5 54 = WAGON WHEEL BASE 4 55 = WAGON WHEEL BASE 5 56 = WAGON WHEEL BASE 6 16 = VAN WHEEL BASE 6	EX8 = 2.7L I5 Turbo Diesel Engine EX9 = 2.7L I5 Mercedes-Benz TD Engine	DGJ = 5-Speed Automatic MB Transmission DGZ = 4-Spd. Automatic MT643 Transmission

AR = use ase required - = Non illustrated part

**Plumbing, Heater with Auxiliary warm water Heater
Figure 24-230**



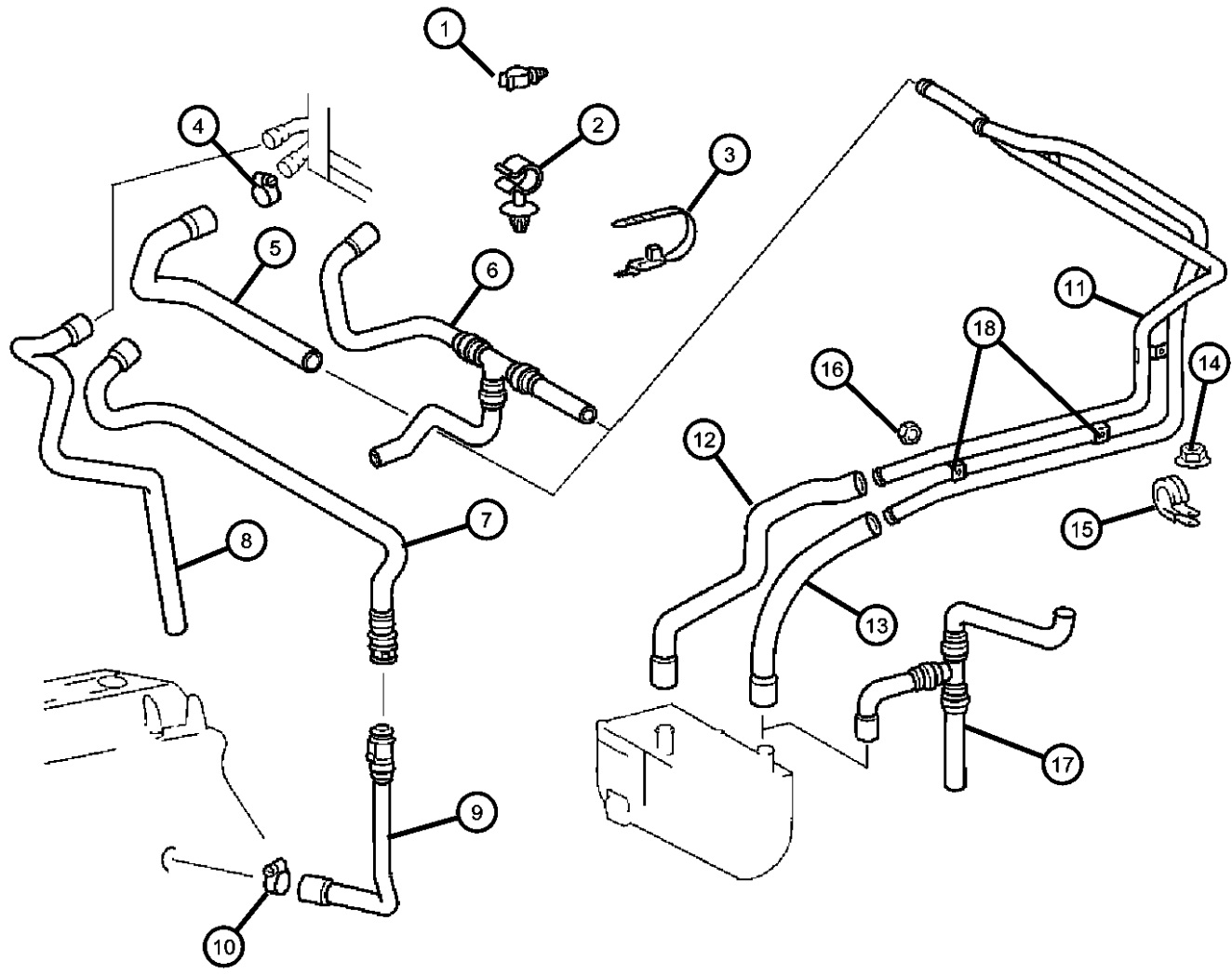
ITEM	PART NUMBER	QTY	LINE	SERIES	BODY	ENGINE	TRANS	TRIM	DESCRIPTION
1	05124806AA	1	3, 7		02, 06	EX8			CLIP, Hose
		1	3, 7		12, 15, 16	EX8			
		1	2, 6		01, 02, 06	EX8			
		1	2, 6		11, 12, 14, 15, 16	EX8			
		1	2, 6		51, 52, 54, 55, 56	EX8			
2	05119332AA	1	2, 6		01, 02, 06	EX8			CLIP, Hose
		1	2, 6		11, 12, 14, 15, 16	EX8			
		1	2, 6		51, 52, 54, 55, 56	EX8			
		3	3, 7		02, 06	EX8			
		3	3, 7		12, 15, 16	EX8			
3	05133297AA	2	2, 6		01, 02, 06	EX8			STRAP AND CLIP
		2	2, 6		11, 12, 14, 15, 16	EX8			
		2	2, 6		51, 52, 54, 55, 56	EX8			
		2	3, 7		02, 06	EX8			
		2	3, 7		12, 15, 16	EX8			
4	05104681AA	3	2, 6		01, 02, 06	EX8			CLAMP, Heater Hose
		3	2, 6		11, 12, 14, 15, 16	EX8			
		3	2, 6		51, 52, 54, 55, 56	EX8			
		3	3, 7		02, 06	EX8			
		3	3, 7		12, 15, 16	EX8			

SPRINTER (VA)

SERIES	LINE	BODY	ENGINE	TRANSMISSION
L = LOWLINE	3 = HD DODGE 2WD 8 = HD DODGE 4WD 6 = Lt. Duty DODGE 4WD 2 = Med. Duty DODGE 2WD 7 = Med. Duty DODGE 4WD 4 = TRUCK	01 = CHASSIS FORWARD CONTROL W.B.1 02 = CAB CHASSIS WHEEL BASE 2 06 = CAB CHASSIS WHEEL BASE 6 11 = VAN WHEEL BASE 1 12 = VAN WHEEL BASE 2 51 = WAGON WHEEL BASE 1 52 = WAGON WHEEL BASE 2 14 = VAN WHEEL BASE 4 15 = VAN WHEEL BASE 5 54 = WAGON WHEEL BASE 4 55 = WAGON WHEEL BASE 5 56 = WAGON WHEEL BASE 6 16 = VAN WHEEL BASE 6	EX8 = 2.7L I5 Turbo Diesel Engine EX9 = 2.7L I5 Mercedes-Benz TD Engine	DGJ = 5-Speed Automatic MB Transmission DGZ = 4-Spd. Automatic MT643 Transmission

AR = use ase required - = Non illustrated part

**Plumbing, Heater with Auxiliary warm water Heater
Figure 24-230**



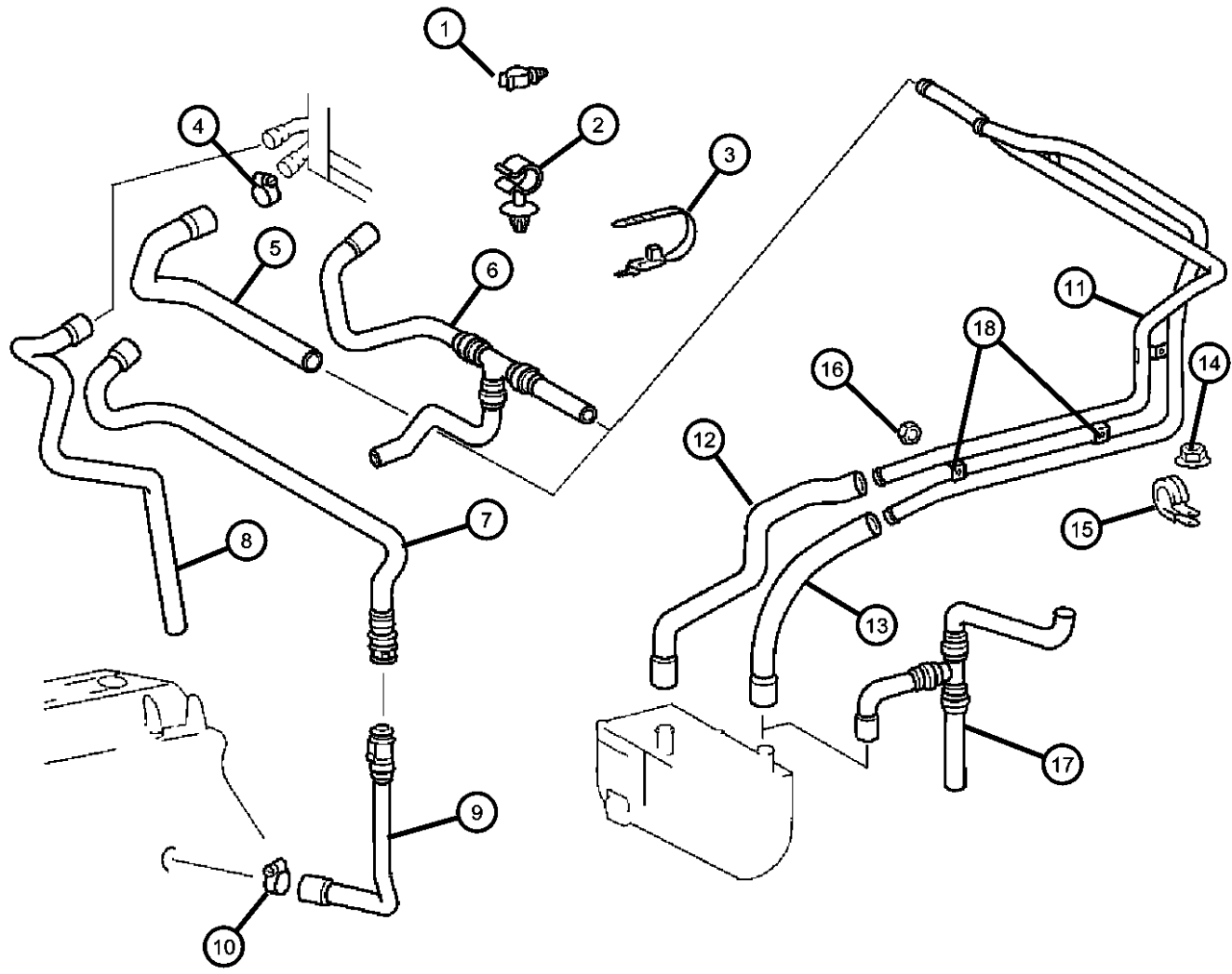
ITEM	PART NUMBER	QTY	LINE	SERIES	BODY	ENGINE	TRANS	TRIM	DESCRIPTION
5	05124854AA	1	2, 6		01, 02, 06	EX8			HOSE
		1	3, 7		12, 15, 16	EX8			
		1	2, 6		11, 12, 14, 15, 16	EX8			
		1	2, 6		51, 52, 54, 55, 56	EX8			
		1	3, 7		02, 06	EX8			
6	05124837AA	1	2, 6		01, 02, 06	EX8			HOSE
		1	2, 6		11, 12, 14, 15, 16	EX8			
		1	2, 6		51, 52, 54, 55, 56	EX8			
		1	3, 7		02, 06	EX8			
		1	3, 7		12, 15, 16	EX8			
7	05104481AA	1	3, 7		12, 15, 16	EX8			HOSE
		1	2, 6		01, 02, 06	EX8			
		1	2, 6		11, 12, 14, 15, 16	EX8			
		1	2, 6		51, 52, 54, 55, 56	EX8			
		1	3, 7		02, 06	EX8			
8	05104489AA	1	2, 6		01, 02, 06	EX8			HOSE
		1	2, 6		11, 12, 14, 15, 16	EX8			
		1	2, 6		51, 52, 54, 55, 56	EX8			
		1	3, 7		02, 06	EX8			
		1	3, 7		12, 15, 16	EX8			

SPRINTER (VA)

SERIES	LINE	BODY	ENGINE	TRANSMISSION
L = LOWLINE	3 = HD DODGE 2WD 8 = HD DODGE 4WD 6 = Lt. Duty DODGE 4WD 2 = Med. Duty DODGE 2WD 7 = Med. Duty DODGE 4WD 4 = TRUCK	01 = CHASSIS FORWARD CONTROL W.B.1 02 = CAB CHASSIS WHEEL BASE 2 06 = CAB CHASSIS WHEEL BASE 6 11 = VAN WHEEL BASE 1 12 = VAN WHEEL BASE 2 51 = WAGON WHEEL BASE 1 52 = WAGON WHEEL BASE 2 14 = VAN WHEEL BASE 4 15 = VAN WHEEL BASE 5 54 = WAGON WHEEL BASE 4 55 = WAGON WHEEL BASE 5 56 = WAGON WHEEL BASE 6 16 = VAN WHEEL BASE 6	EX8 = 2.7L I5 Turbo Diesel Engine EX9 = 2.7L I5 Mercedes-Benz TD Engine	DGJ = 5-Speed Automatic MB Transmission DGZ = 4-Spd. Automatic MT643 Transmission

AR = use ase required - = Non illustrated part

Plumbing, Heater with Auxiliary warm water Heater
Figure 24-230



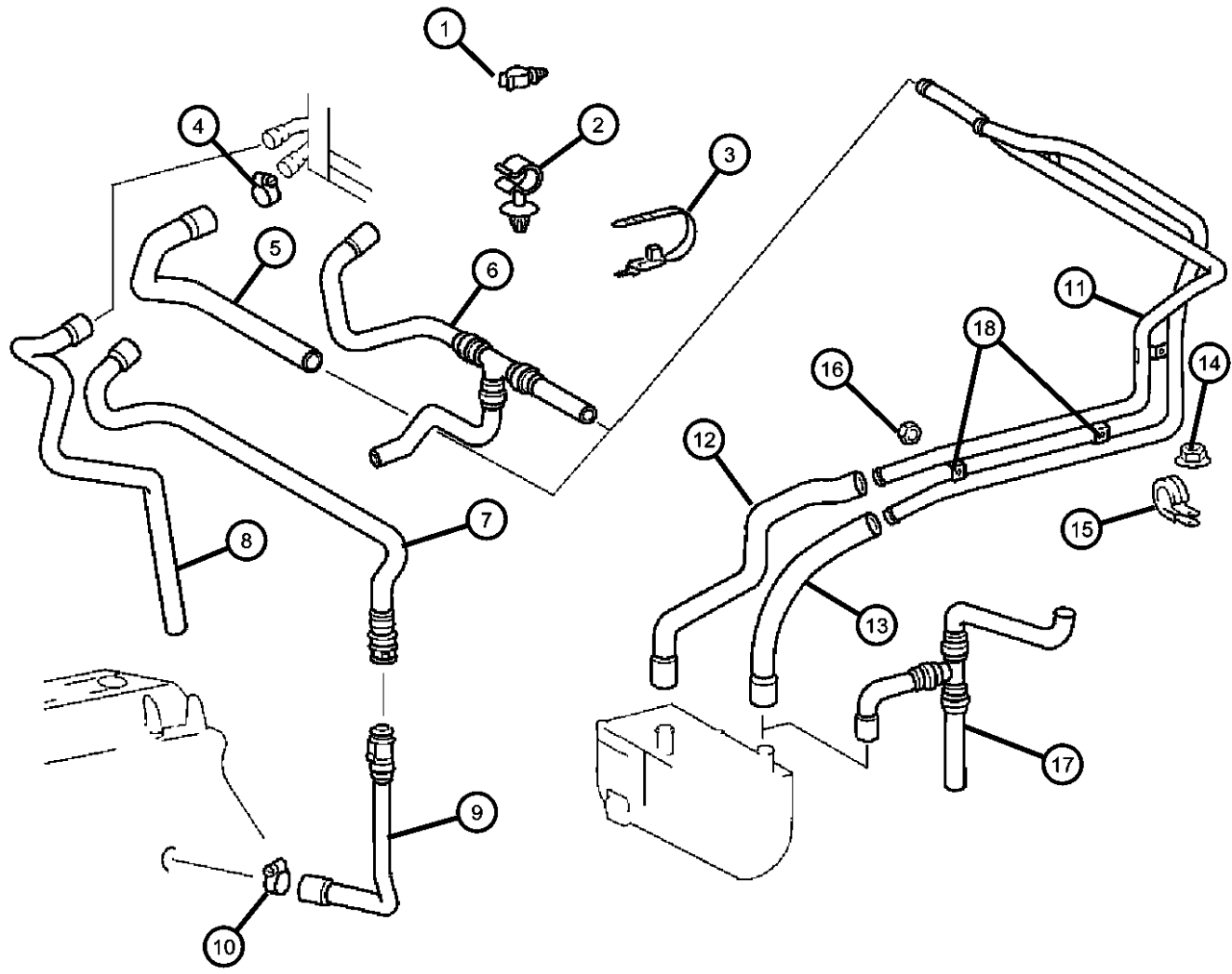
ITEM	PART NUMBER	QTY	LINE	SERIES	BODY	ENGINE	TRANS	TRIM	DESCRIPTION
9	05124728AA	1	2, 6		01, 02, 06	EX8			HOSE, HOSE-WATER
		1	2, 6		11, 12, 14, 15, 16	EX8			
		1	3, 7		02, 06	EX8			
		1	3, 7		12, 15, 16	EX8			
10	05126287AA	11	2, 6		01, 02, 06	EX8			CLAMP, CLAMP
		11	2, 6		11, 12, 14, 15, 16	EX8			
		11	2, 6		51, 52, 54, 55, 56	EX8			
		11	3, 7		02, 06	EX8			
		11	3, 7		12, 15, 16	EX8			
11	05124644AA	1	2, 6		01, 02, 06	EX8			TUBE, Heater
		1	2, 6		11, 12, 14, 15, 16	EX8			
		1	2, 6		51, 52, 54, 55, 56	EX8			
		1	3, 7		02, 06	EX8			
		1	3, 7		12, 15, 16	EX8			
12	05124850AA	1	2, 6		01, 02, 06	EX8			HOSE
		1	2, 6		11, 12, 14, 15, 16	EX8			
		1	2, 6		51, 52, 54, 55, 56	EX8			
		1	3, 7		02, 06	EX8			
		1	3, 7		12, 15, 16	EX8			
13									HOSE

SPRINTER (VA)

SERIES	LINE	BODY	ENGINE	TRANSMISSION
L = LOWLINE	3 = HD DODGE 2WD	01 = CHASSIS FORWARD CONTROL W.B.1	EX8 = 2.7L I5 Turbo Diesel Engine	DGJ = 5-Speed Automatic MB Transmission
	8 = HD DODGE 4WD	02 = CAB CHASSIS WHEEL BASE 2	EX9 = 2.7L I5 Mercedes-Benz TD Engine	DGZ = 4-Spd. Automatic MT643 Transmission
	6 = Lt. Duty DODGE 4WD	06 = CAB CHASSIS WHEEL BASE 6		
	2 = Med. Duty DODGE 2WD	11 = VAN WHEEL BASE 1		
	7 = Med. Duty DODGE 4WD	12 = VAN WHEEL BASE 2		
	4 = TRUCK	51 = WAGON WHEEL BASE 1		
		52 = WAGON WHEEL BASE 2		
		14 = VAN WHEEL BASE 4		
		15 = VAN WHEEL BASE 5		
		54 = WAGON WHEEL BASE 4		
		55 = WAGON WHEEL BASE 5		
		56 = WAGON WHEEL BASE 6		
		16 = VAN WHEEL BASE 6		

AR = use ase required - = Non illustrated part

**Plumbing, Heater with Auxiliary warm water Heater
Figure 24-230**



ITEM	PART NUMBER	QTY	LINE	SERIES	BODY	ENGINE	TRANS	TRIM	DESCRIPTION
	05124852AA	1	2, 6		11, 12, 14, 15, 16	EX8			
		1	2, 6		51, 52, 54, 55, 56	EX8			
		1	3, 7		02, 06	EX8			
		1	3, 7		12, 15, 16	EX8			
14									NUT, Hex
	06104911AA	1	3, 7		02, 06	EX8			
		1	2, 6		01, 02, 06	EX8			
		1	2, 6		11, 12, 14, 15, 16	EX8			
		1	2, 6		51, 52, 54, 55, 56	EX8			
		1	3, 7		12, 15, 16	EX8			
15									CLAMP, Air Conditioning Piping
	05126284AA	1	2, 6		01, 02, 06	EX8			
		1	2, 6		11, 12, 14, 15, 16	EX8			
		1	2, 6		51, 52, 54, 55, 56	EX8			
		1	3, 7		02, 06	EX8			
		1	3, 7		12, 15, 16	EX8			
16									NUT, Hex, M6
	05096978AA	3	2, 6		01, 02, 06	EX8			
		3	2, 6		11, 12, 14, 15, 16	EX8			
		3	2, 6		51, 52, 54, 55, 56	EX8			
		3	3, 7		02, 06	EX8			
		3	3, 7		12, 15, 16	EX8			
17									HOSE, Auxiliary Heater

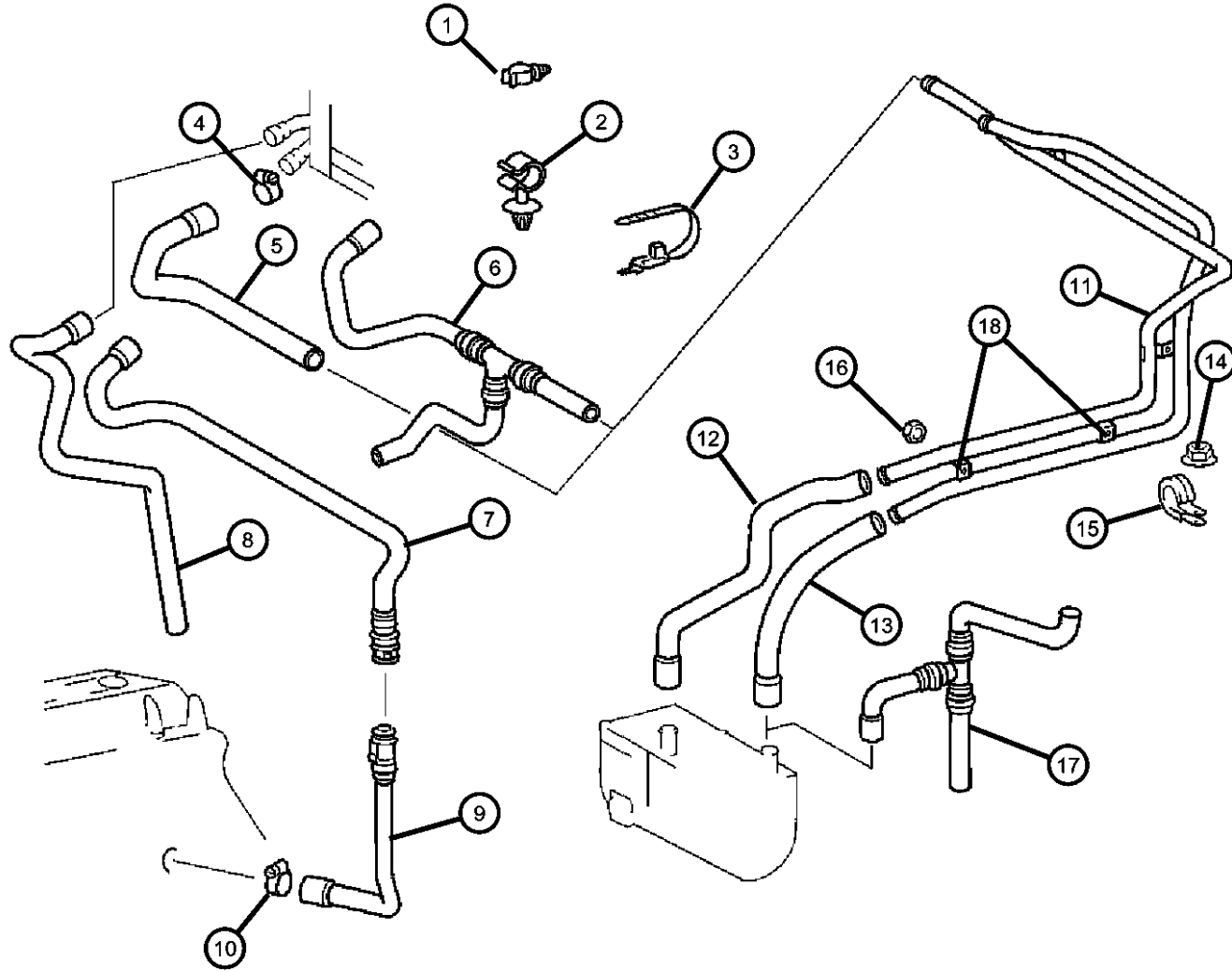
SPRINTER (VA)

SERIES	LINE	BODY	ENGINE	TRANSMISSION
L = LOWLINE	3 = HD DODGE 2WD	01 = CHASSIS FORWARD CONTROL W.B.1	EX8 = 2.7L I5 Turbo Diesel Engine	DGJ = 5-Speed Automatic MB Transmission
	8 = HD DODGE 4WD	02 = CAB CHASSIS WHEEL BASE 2	EX9 = 2.7L I5 Mercedes-Benz TD Engine	DGZ = 4-Spd. Automatic MT643 Transmission
	6 = Lt. Duty DODGE 4WD	06 = CAB CHASSIS WHEEL BASE 6		
	2 = Med. Duty DODGE 2WD	11 = VAN WHEEL BASE 1		
	7 = Med. Duty DODGE 4WD	12 = VAN WHEEL BASE 2		
	4 = TRUCK	51 = WAGON WHEEL BASE 1		
		52 = WAGON WHEEL BASE 2		
		14 = VAN WHEEL BASE 4		
		15 = VAN WHEEL BASE 5		
		54 = WAGON WHEEL BASE 4		
		55 = WAGON WHEEL BASE 5		
		56 = WAGON WHEEL BASE 6		
		16 = VAN WHEEL BASE 6		

AR = use ase required - = Non illustrated part

**Plumbing, Heater with Auxiliary warm water Heater
Figure 24-230**

ITEM	PART NUMBER	QTY	LINE	SERIES	BODY	ENGINE	TRANS	TRIM	DESCRIPTION
	05124886AA	1	2, 6		11, 12, 14, 15, 16	EX8			
		1	2, 6		51, 52, 54, 55, 56	EX8			
		1	3, 7		12, 15, 16	EX8			
18									BRACKET, Heater Core Tubes
	05133315AA	1	2, 6		01, 02, 06	EX8			
		1	3, 7		02, 06	EX8			
		1	3, 7		12, 15, 16	EX8			
		1	2, 6		11, 12, 14, 15, 16	EX8			
		1	2, 6		51, 52, 54, 55, 56	EX8			



SPRINTER (VA)

SERIES

L = LOWLINE
 3 = HD DODGE 2WD
 8 = HD DODGE 4WD
 6 = Lt. Duty DODGE 4WD
 2 = Med. Duty DODGE 2WD
 7 = Med. Duty DODGE 4WD
 4 = TRUCK

LINE

BODY

01 = CHASSIS FORWARD CONTROL W.B.1
 02 = CAB CHASSIS WHEEL BASE 2
 06 = CAB CHASSIS WHEEL BASE 6
 11 = VAN WHEEL BASE 1
 12 = VAN WHEEL BASE 2
 51 = WAGON WHEEL BASE 1
 52 = WAGON WHEEL BASE 2
 14 = VAN WHEEL BASE 4
 15 = VAN WHEEL BASE 5
 54 = WAGON WHEEL BASE 4
 55 = WAGON WHEEL BASE 5
 56 = WAGON WHEEL BASE 6
 16 = VAN WHEEL BASE 6

ENGINE

EX8 = 2.7L I5 Turbo Diesel Engine
 EX9 = 2.7L I5 Mercedes-Benz TD Engine

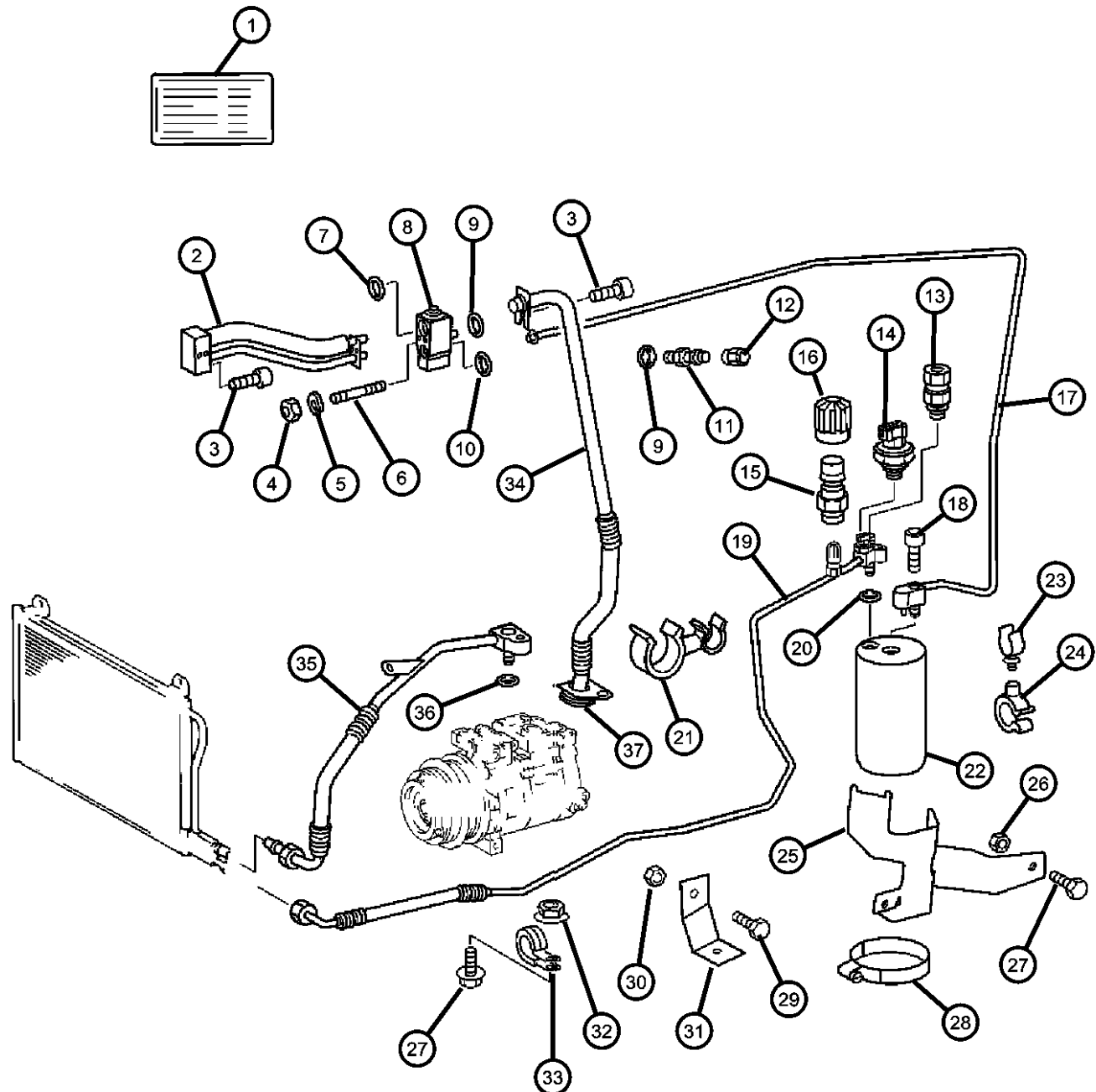
TRANSMISSION

DGJ = 5-Speed Automatic MB Transmission
 DGZ = 4-Spd. Automatic MT643 Transmission

AR = use ase required - = Non illustrated part

2006 VA

**Plumbing, Air Conditioning
Figure 24-240**



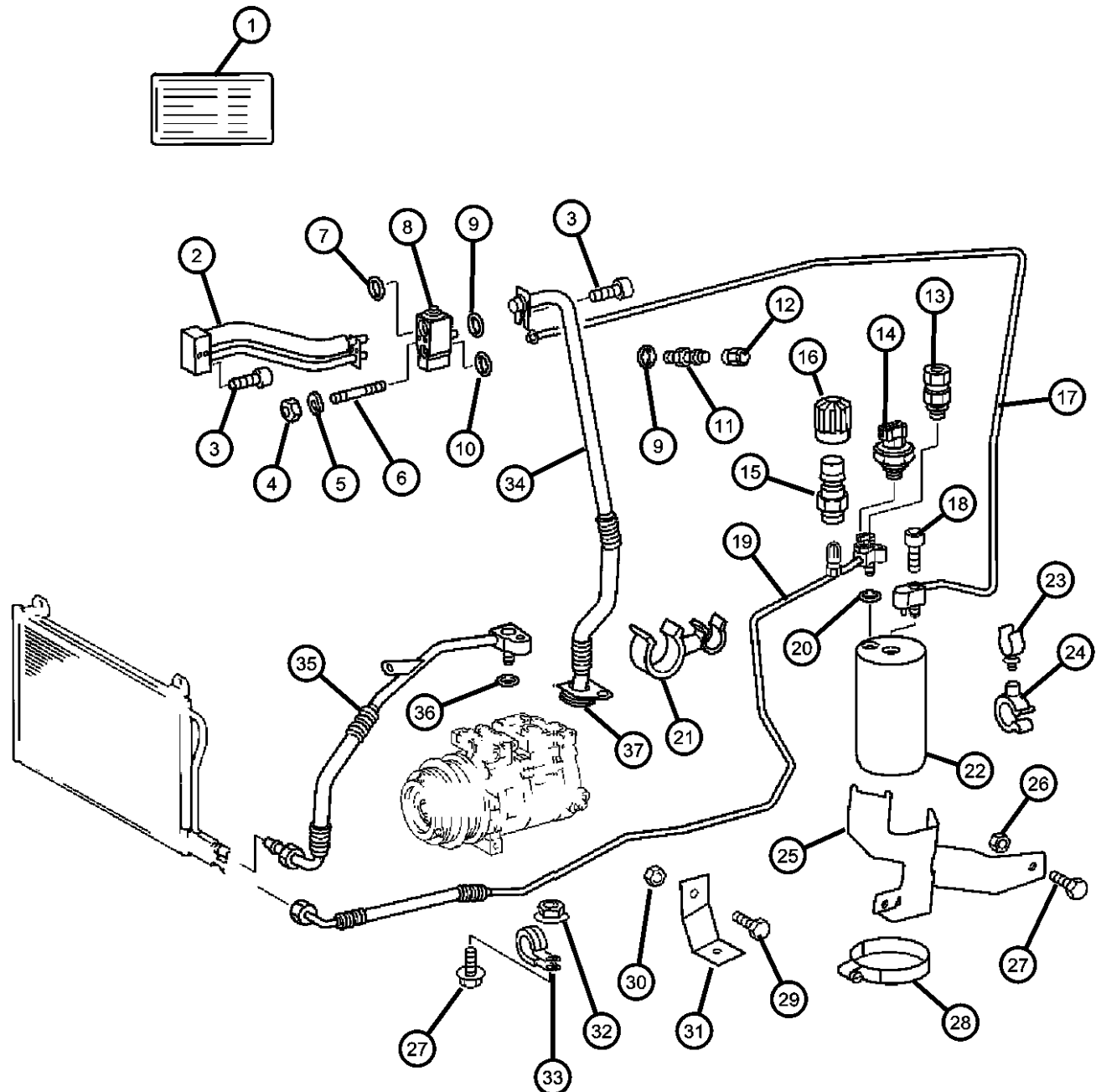
ITEM	PART NUMBER	QTY	LINE	SERIES	BODY	ENGINE	TRANS	TRIM	DESCRIPTION
1									LABEL, A/C Spec.
	05124359AA	1	2, 6		01, 02, 06	EX8			
		1	2, 6		11, 12, 14, 15, 16	EX8			
		1	2, 6		51, 52, 54, 55, 56	EX8			
		1	3, 7		02, 06	EX8			
		1	3, 7		12, 15, 16	EX8			
2									LINE, A/C Suction And Liquid
	05104479AA	1	2, 6		01, 02, 06	EX8			
		1	2, 6		11, 12, 14, 15, 16	EX8			
		1	2, 6		51, 52, 54, 55, 56	EX8			
		1	3, 7		02, 06	EX8			
		1	3, 7		12, 15, 16	EX8			
3									SCREW
	05126135AA	2	2, 6		01, 02, 06	EX8			
		2	2, 6		11, 12, 14, 15, 16	EX8			
		2	2, 6		51, 52, 54, 55, 56	EX8			
		2	3, 7		02, 06	EX8			
		2	3, 7		12, 15, 16	EX8			
4		2							NUT, (NOT SERVICED)
5									LOCK WASHER
	05126240AA	1	2, 6		01, 02, 06	EX8			
		1	2, 6		11, 12, 14, 15, 16	EX8			
		1	2, 6		51, 52, 54, 55, 56	EX8			
		1	3, 7		02, 06	EX8			

SPRINTER (VA)

SERIES	LINE	BODY	ENGINE	TRANSMISSION
L = LOWLINE	3 = HD DODGE 2WD 8 = HD DODGE 4WD 6 = Lt. Duty DODGE 4WD 2 = Med. Duty DODGE 2WD 7 = Med. Duty DODGE 4WD 4 = TRUCK	01 = CHASSIS FORWARD CONTROL W.B.1 02 = CAB CHASSIS WHEEL BASE 2 06 = CAB CHASSIS WHEEL BASE 6 11 = VAN WHEEL BASE 1 12 = VAN WHEEL BASE 2 51 = WAGON WHEEL BASE 1 52 = WAGON WHEEL BASE 2 14 = VAN WHEEL BASE 4 15 = VAN WHEEL BASE 5 54 = WAGON WHEEL BASE 4 55 = WAGON WHEEL BASE 5 56 = WAGON WHEEL BASE 6 16 = VAN WHEEL BASE 6	EX8 = 2.7L I5 Turbo Diesel Engine EX9 = 2.7L I5 Mercedes-Benz TD Engine	DGJ = 5-Speed Automatic MB Transmission DGZ = 4-Spd. Automatic MT643 Transmission

AR = use ase required - = Non illustrated part

Plumbing, Air Conditioning
Figure 24-240



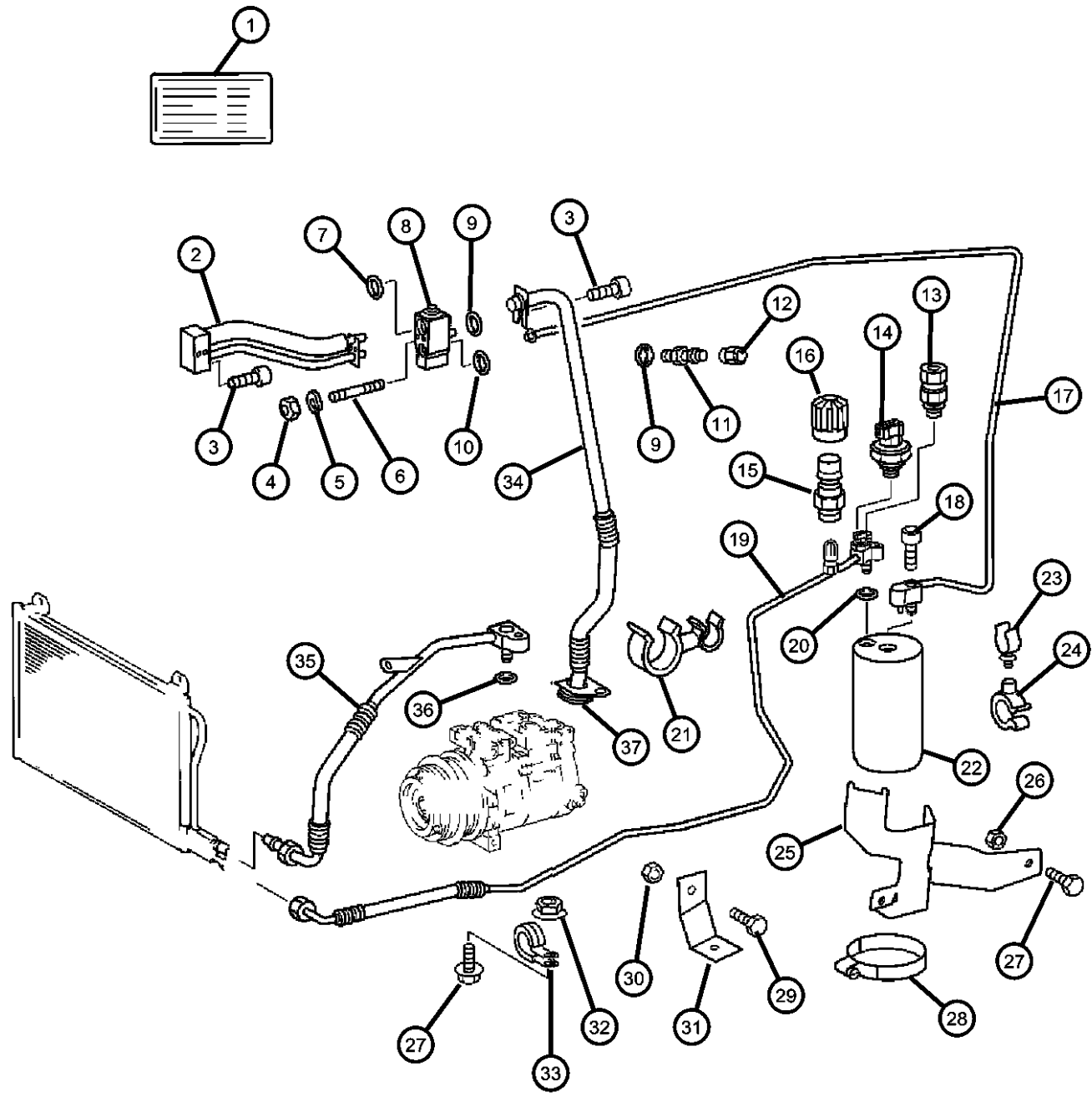
ITEM	PART NUMBER	QTY	LINE	SERIES	BODY	ENGINE	TRANS	TRIM	DESCRIPTION
6		1	3, 7		12, 15, 16	EX8			STUD, Expansion Valve
	05134028AA	1	2, 6		01, 02, 06	EX8			
		1	2, 6		11, 12, 14, 15, 16	EX8			
		1	2, 6		51, 52, 54, 55, 56	EX8			
		1	3, 7		02, 06	EX8			
7		1	3, 7		12, 15, 16	EX8			O RING, A/C Line
	05098971AA	1	2, 6		01, 02, 06	EX8			
		1	2, 6		11, 12, 14, 15, 16	EX8			
		1	2, 6		51, 52, 54, 55, 56	EX8			
		1	3, 7		02, 06	EX8			
8	05143304AA	1	2, 3, 6, 7		12, 15, 16	EX8			VALVE, Expansion
		1	2, 3, 6, 7			EX8			
9		2	2, 6		01, 02, 06	EX8			O RING, A/C Line
	05103930AA	2	2, 6		11, 12, 14, 15, 16	EX8			
		2	2, 6		51, 52, 54, 55, 56	EX8			
		2	3, 7		02, 06	EX8			
		2	3, 7		12, 15, 16	EX8			
		2	2, 6		01, 02, 06	EX8			
10		2	2, 6		11, 12, 14, 15, 16	EX8			O RING, A/C Line
	05098970AA	2	2, 6		51, 52, 54, 55, 56	EX8			
		2	2, 6			EX8			
		2	2, 6			EX8			
		2	2, 6			EX8			

SPRINTER (VA)

SERIES	LINE	BODY	ENGINE	TRANSMISSION
L = LOWLINE	3 = HD DODGE 2WD 8 = HD DODGE 4WD 6 = Lt. Duty DODGE 4WD 2 = Med. Duty DODGE 2WD 7 = Med. Duty DODGE 4WD 4 = TRUCK	01 = CHASSIS FORWARD CONTROL W.B.1 02 = CAB CHASSIS WHEEL BASE 2 06 = CAB CHASSIS WHEEL BASE 6 11 = VAN WHEEL BASE 1 12 = VAN WHEEL BASE 2 51 = WAGON WHEEL BASE 1 52 = WAGON WHEEL BASE 2 14 = VAN WHEEL BASE 4 15 = VAN WHEEL BASE 5 54 = WAGON WHEEL BASE 4 55 = WAGON WHEEL BASE 5 56 = WAGON WHEEL BASE 6 16 = VAN WHEEL BASE 6	EX8 = 2.7L I5 Turbo Diesel Engine EX9 = 2.7L I5 Mercedes-Benz TD Engine	DGJ = 5-Speed Automatic MB Transmission DGZ = 4-Spd. Automatic MT643 Transmission

AR = use ase required - = Non illustrated part

Plumbing, Air Conditioning
Figure 24-240



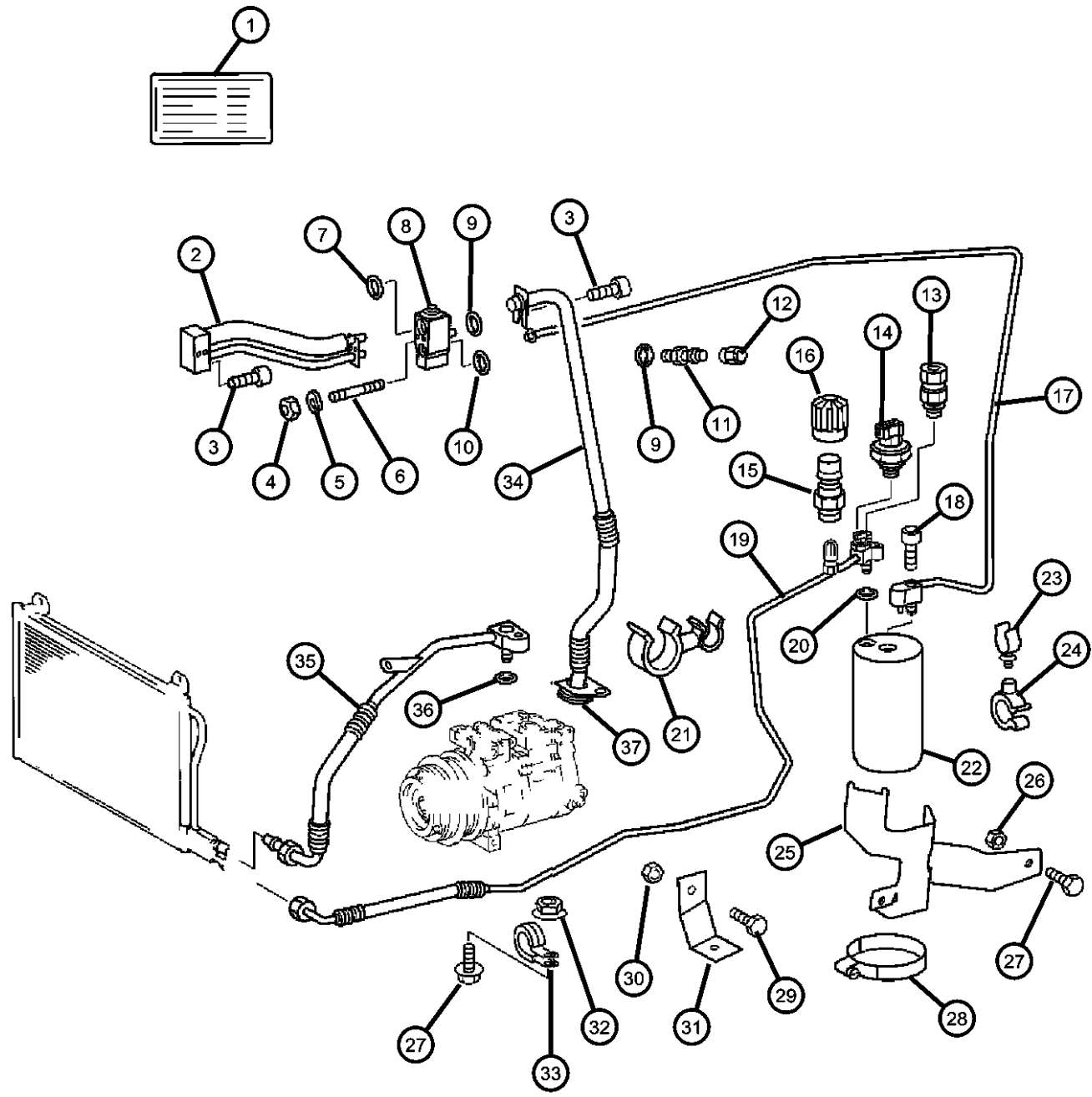
ITEM	PART NUMBER	QTY	LINE	SERIES	BODY	ENGINE	TRANS	TRIM	DESCRIPTION
		2	3, 7		02, 06	EX8			
		2	3, 7		12, 15, 16	EX8			
11	05103771AA	1	2, 6		01, 02, 06	EX8			VALVE, Check
		1	2, 6		11, 12, 14, 15, 16	EX8			
		1	2, 6		51, 52, 54, 55, 56	EX8			
		1	3, 7		02, 06	EX8			
		1	3, 7		12, 15, 16	EX8			
12	05134029AA	1	2, 6		01, 02, 06	EX8			CAP, Sealing
		1	2, 6		11, 12, 14, 15, 16	EX8			
		1	2, 6		51, 52, 54, 55, 56	EX8			
		1	3, 7		02, 06	EX8			
		1	3, 7		12, 15, 16	EX8			
13	05098395AA	1	2, 6		01, 02, 06	EX8			VALVE, A/C Pressure Relief
		1	2, 6		11, 12, 14, 15, 16	EX8			
		1	2, 6		51, 52, 54, 55, 56	EX8			
		1	3, 7		02, 06	EX8			
		1	3, 7		12, 15, 16	EX8			
14	05097873AA	1	2, 6		01, 02, 06	EX8			SWITCH, A/C Pressure
		1	2, 6		11, 12, 14, 15, 16	EX8			
		1	2, 6		51, 52, 54, 55, 56	EX8			

SPRINTER (VA)

SERIES	LINE	BODY	ENGINE	TRANSMISSION
L = LOWLINE	3 = HD DODGE 2WD 8 = HD DODGE 4WD 6 = Lt. Duty DODGE 4WD 2 = Med. Duty DODGE 2WD 7 = Med. Duty DODGE 4WD 4 = TRUCK	01 = CHASSIS FORWARD CONTROL W.B.1 02 = CAB CHASSIS WHEEL BASE 2 06 = CAB CHASSIS WHEEL BASE 6 11 = VAN WHEEL BASE 1 12 = VAN WHEEL BASE 2 51 = WAGON WHEEL BASE 1 52 = WAGON WHEEL BASE 2 14 = VAN WHEEL BASE 4 15 = VAN WHEEL BASE 5 54 = WAGON WHEEL BASE 4 55 = WAGON WHEEL BASE 5 56 = WAGON WHEEL BASE 6 16 = VAN WHEEL BASE 6	EX8 = 2.7L I5 Turbo Diesel Engine EX9 = 2.7L I5 Mercedes-Benz TD Engine	DGJ = 5-Speed Automatic MB Transmission DGZ = 4-Spd. Automatic MT643 Transmission

AR = use ase required - = Non illustrated part

Plumbing, Air Conditioning
Figure 24-240



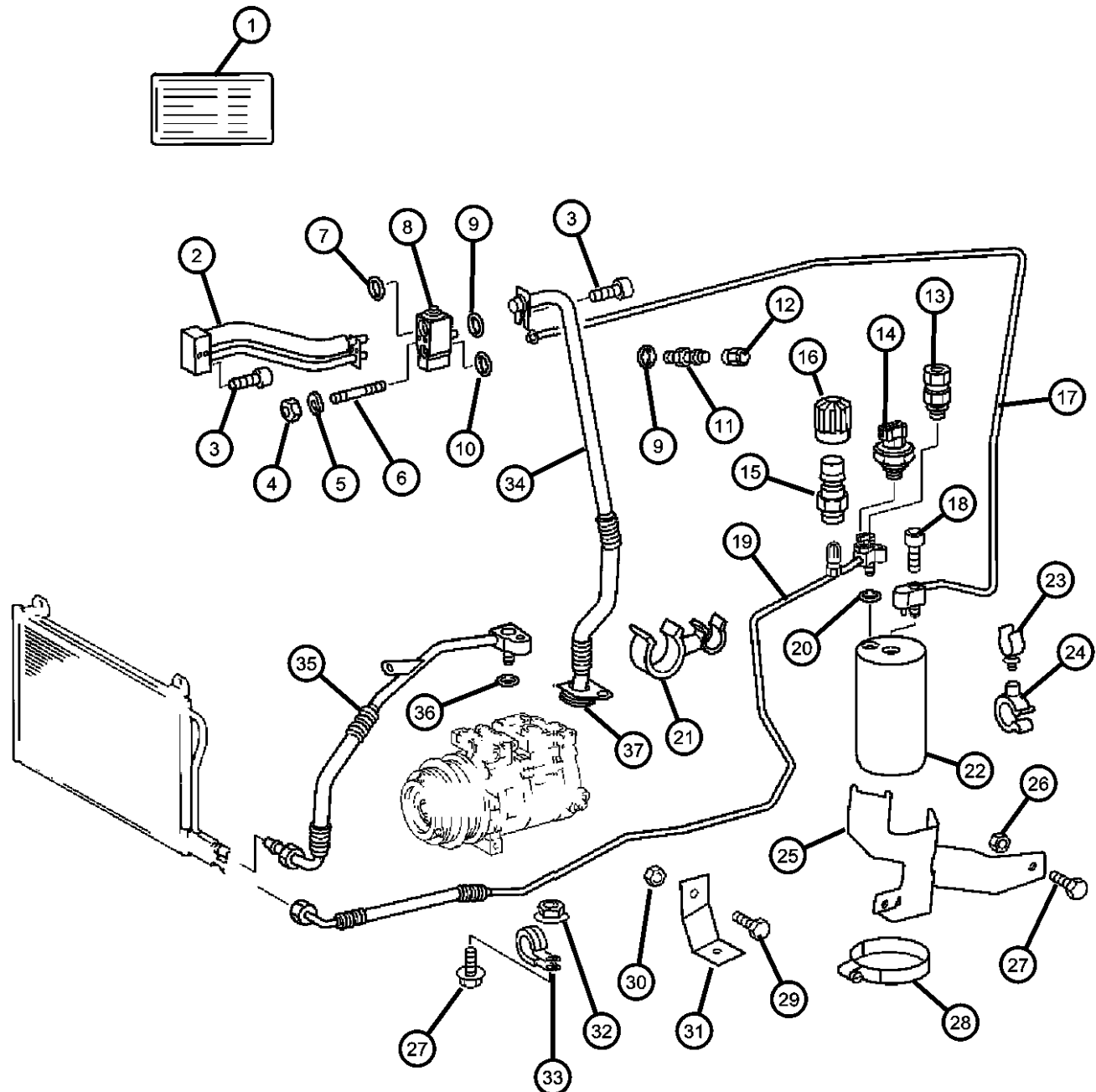
ITEM	PART NUMBER	QTY	LINE	SERIES	BODY	ENGINE	TRANS	TRIM	DESCRIPTION
		1	3, 7		02, 06	EX8			
		1	3, 7		12, 15, 16	EX8			
15	05098396AA	1	2, 6		01, 02, 06	EX8			VALVE, Charging
		1	2, 6		11, 12, 14, 15, 16	EX8			
		1	2, 6		51, 52, 54, 55, 56	EX8			
		1	3, 7		02, 06	EX8			
		1	3, 7		12, 15, 16	EX8			
16	05098958AA	1	2, 6		01, 02, 06	EX8			CAP, A/C Charge Valve
		1	2, 6		11, 12, 14, 15, 16	EX8			
		1	2, 6		51, 52, 54, 55, 56	EX8			
		1	3, 7		02, 06	EX8			
		1	3, 7		12, 15, 16	EX8			
17	05124646AA	1	2, 6		01, 02, 06	EX8			LINE, Receiver/Drier to Expansion Valve
		1	2, 6		11, 12, 14, 15, 16	EX8			
		1	2, 6		51, 52, 54, 55, 56	EX8			
		1	3, 7		02, 06	EX8			
		1	3, 7		12, 15, 16	EX8			
18	05126136AA	2	2, 6		01, 02, 06	EX8			SCREW
		2	2, 6		11, 12, 14, 15, 16	EX8			

SPRINTER (VA)

SERIES	LINE	BODY	ENGINE	TRANSMISSION
L = LOWLINE	3 = HD DODGE 2WD 8 = HD DODGE 4WD 6 = Lt. Duty DODGE 4WD 2 = Med. Duty DODGE 2WD 7 = Med. Duty DODGE 4WD 4 = TRUCK	01 = CHASSIS FORWARD CONTROL W.B.1 02 = CAB CHASSIS WHEEL BASE 2 06 = CAB CHASSIS WHEEL BASE 6 11 = VAN WHEEL BASE 1 12 = VAN WHEEL BASE 2 51 = WAGON WHEEL BASE 1 52 = WAGON WHEEL BASE 2 14 = VAN WHEEL BASE 4 15 = VAN WHEEL BASE 5 54 = WAGON WHEEL BASE 4 55 = WAGON WHEEL BASE 5 56 = WAGON WHEEL BASE 6 16 = VAN WHEEL BASE 6	EX8 = 2.7L I5 Turbo Diesel Engine EX9 = 2.7L I5 Mercedes-Benz TD Engine	DGJ = 5-Speed Automatic MB Transmission DGZ = 4-Spd. Automatic MT643 Transmission

AR = use ase required - = Non illustrated part

Plumbing, Air Conditioning
Figure 24-240



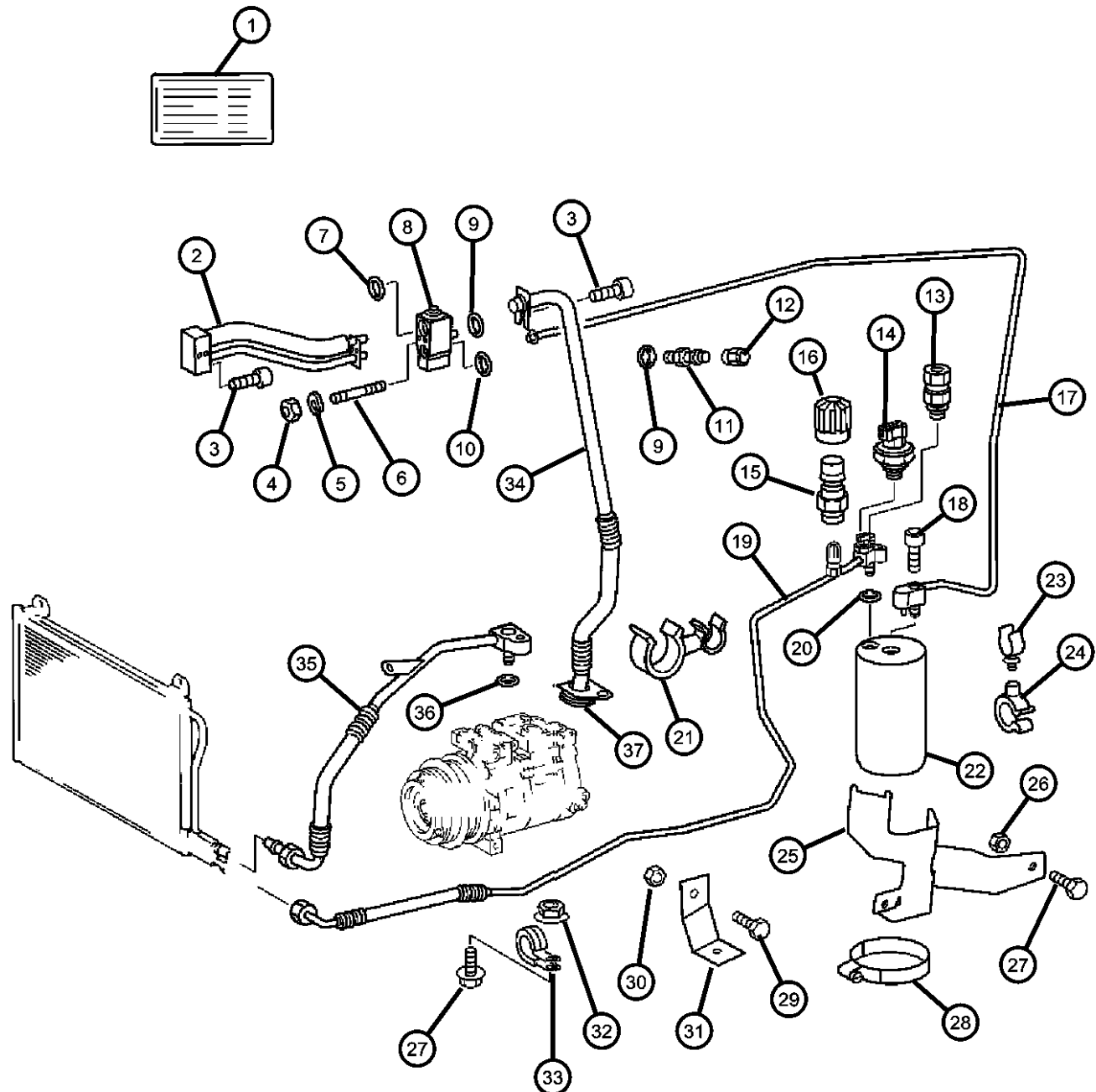
ITEM	PART NUMBER	QTY	LINE	SERIES	BODY	ENGINE	TRANS	TRIM	DESCRIPTION
		2	2, 6		51, 52, 54, 55, 56	EX8			
		2	3, 7		02, 06	EX8			
		2	3, 7		12, 15, 16	EX8			
19	05104484AA	1	2, 6		01, 02, 06	EX8			LINE, Condenser to Receiver/Drier
		1	2, 6		11, 12, 14, 15, 16	EX8			
		1	2, 6		51, 52, 54, 55, 56	EX8			
		1	3, 7		02, 06	EX8			
		1	3, 7		12, 15, 16	EX8			
20	05103571AA	1	2, 6		01, 02, 06	EX8			O RING, Air Conditioning Line
		1	2, 6		11, 12, 14, 15, 16	EX8			
		1	3, 7		02, 06	EX8			
		1	3, 7		12, 15, 16	EX8			
		1	2, 6		51, 52, 54, 55, 56	EX8			
21	05124806AA	1	2, 6		01, 02, 06	EX8			CLIP, Hose
		1	2, 6		11, 12, 14, 15, 16	EX8			
		1	2, 6		51, 52, 54, 55, 56	EX8			
		1	3, 7		02, 06	EX8			
		1	3, 7		12, 15, 16	EX8			
22	05103570AA	1	2, 6		01, 02, 06	EX8			RECEIVER DRIER
		1	2, 6		11, 12, 14, 15, 16	EX8			

SPRINTER (VA)

SERIES	LINE	BODY	ENGINE	TRANSMISSION
L = LOWLINE	3 = HD DODGE 2WD 8 = HD DODGE 4WD 6 = Lt. Duty DODGE 4WD 2 = Med. Duty DODGE 2WD 7 = Med. Duty DODGE 4WD 4 = TRUCK	01 = CHASSIS FORWARD CONTROL W.B.1 02 = CAB CHASSIS WHEEL BASE 2 06 = CAB CHASSIS WHEEL BASE 6 11 = VAN WHEEL BASE 1 12 = VAN WHEEL BASE 2 51 = WAGON WHEEL BASE 1 52 = WAGON WHEEL BASE 2 14 = VAN WHEEL BASE 4 15 = VAN WHEEL BASE 5 54 = WAGON WHEEL BASE 4 55 = WAGON WHEEL BASE 5 56 = WAGON WHEEL BASE 6 16 = VAN WHEEL BASE 6	EX8 = 2.7L I5 Turbo Diesel Engine EX9 = 2.7L I5 Mercedes-Benz TD Engine	DGJ = 5-Speed Automatic MB Transmission DGZ = 4-Spd. Automatic MT643 Transmission

AR = use ase required - = Non illustrated part

Plumbing, Air Conditioning
Figure 24-240



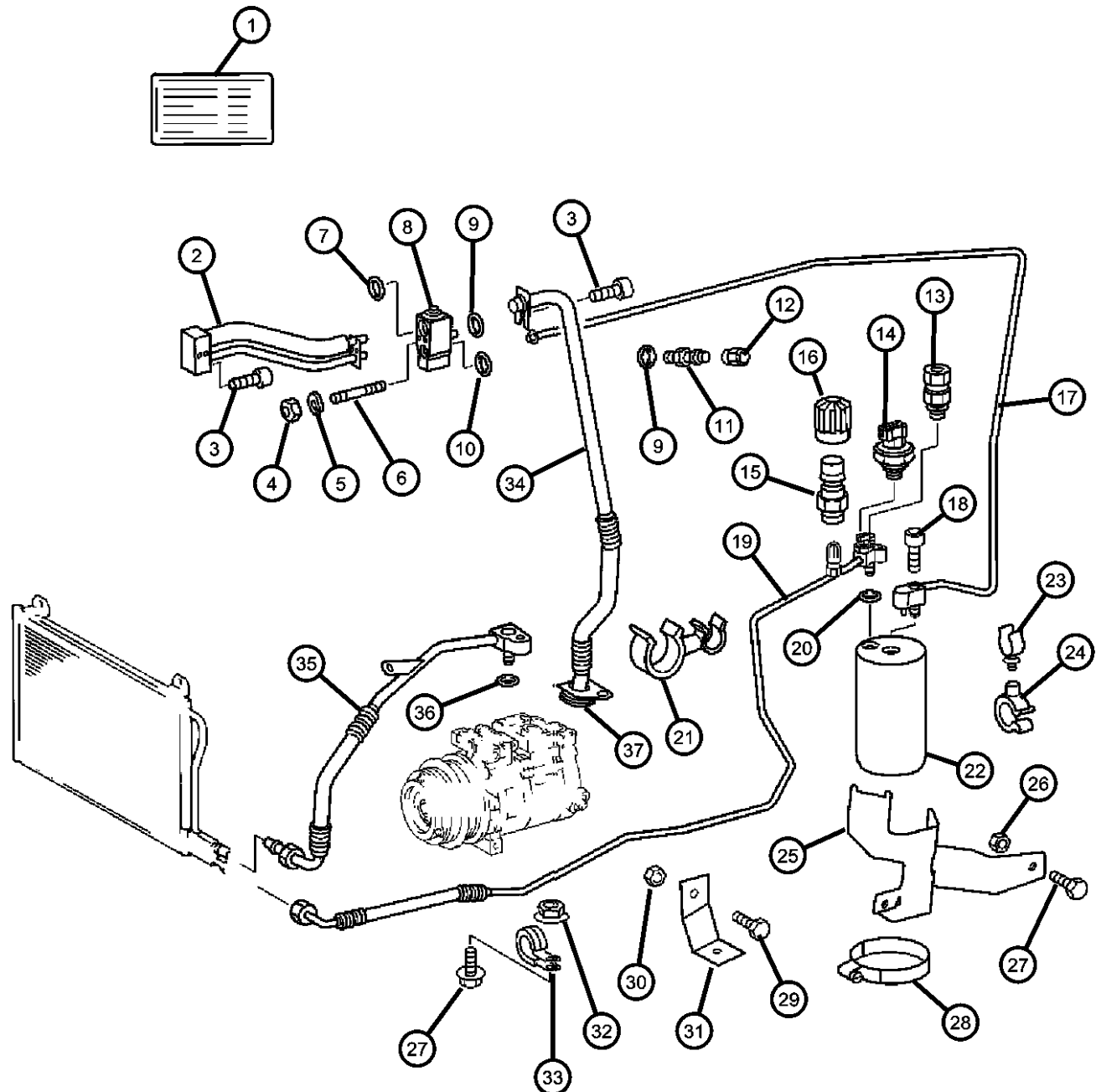
ITEM	PART NUMBER	QTY	LINE	SERIES	BODY	ENGINE	TRANS	TRIM	DESCRIPTION
		1	2, 6		51, 52, 54, 55, 56	EX8			
		1	3, 7		02, 06	EX8			
		1	3, 7		12, 15, 16	EX8			
23									CLIP, Retaining
	06104924AA	1	2, 6		01, 02, 06	EX8			
		1	2, 6		11, 12, 14, 15, 16	EX8			
		1	2, 6		51, 52, 54, 55, 56	EX8			
		1	3, 7		02, 06	EX8			
		1	3, 7		12, 15, 16	EX8			
24									CLAMP, HOSE CLAMP
	05133495AA	1	2, 6		01, 02, 06	EX8			
		1	2, 6		51, 52, 54, 55, 56	EX8			
		1	3, 7		02, 06	EX8			
		1	3, 7		12, 15, 16	EX8			
		1	2, 6		11, 12, 14, 15, 16	EX8			
25									BRACKET, Recirculating Pump
	05124815AA	1	2, 6		01, 02, 06	EX8			
		1	2, 6		11, 12, 14, 15, 16	EX8			
		1	2, 6		51, 52, 54, 55, 56	EX8			
		1	3, 7		02, 06	EX8			
		1	3, 7		12, 15, 16	EX8			
26									NUT, Hex, M6
	05096978AA	2	2, 6		11, 12, 14, 15, 16	EX8			

SPRINTER (VA)

SERIES	LINE	BODY	ENGINE	TRANSMISSION
L = LOWLINE	3 = HD DODGE 2WD 8 = HD DODGE 4WD 6 = Lt. Duty DODGE 4WD 2 = Med. Duty DODGE 2WD 7 = Med. Duty DODGE 4WD 4 = TRUCK	01 = CHASSIS FORWARD CONTROL W.B.1 02 = CAB CHASSIS WHEEL BASE 2 06 = CAB CHASSIS WHEEL BASE 6 11 = VAN WHEEL BASE 1 12 = VAN WHEEL BASE 2 51 = WAGON WHEEL BASE 1 52 = WAGON WHEEL BASE 2 14 = VAN WHEEL BASE 4 15 = VAN WHEEL BASE 5 54 = WAGON WHEEL BASE 4 55 = WAGON WHEEL BASE 5 56 = WAGON WHEEL BASE 6 16 = VAN WHEEL BASE 6	EX8 = 2.7L I5 Turbo Diesel Engine EX9 = 2.7L I5 Mercedes-Benz TD Engine	DGJ = 5-Speed Automatic MB Transmission DGZ = 4-Spd. Automatic MT643 Transmission

AR = use ase required - = Non illustrated part

Plumbing, Air Conditioning
Figure 24-240



ITEM	PART NUMBER	QTY	LINE	SERIES	BODY	ENGINE	TRANS	TRIM	DESCRIPTION
		2	2, 6		51, 52, 54, 55, 56	EX8			
		2	3, 7		02, 06	EX8			
		2	3, 7		12, 15, 16	EX8			
		2	2, 6		01, 02, 06	EX8			
27	06104005AA	2	2, 6		01, 02, 06	EX8			SCREW
		2	2, 6		11, 12, 14, 15, 16	EX8			
		2	2, 6		51, 52, 54, 55, 56	EX8			
		2	3, 7		02, 06	EX8			
		2	3, 7		12, 15, 16	EX8			
28	06104787AA	1	2, 6		01, 02, 06	EX8			CLAMP
		1	2, 6		11, 12, 14, 15, 16	EX8			
		1	2, 6		51, 52, 54, 55, 56	EX8			
	06104791AA	1	3, 7		02, 06	EX8			
		1	3, 7		12, 15, 16	EX8			
29	05127449AA	1	2, 6		01, 02, 06	EX8			NUT, M6x1.00
		1	2, 6		11, 12, 14, 15, 16	EX8			
		1	2, 6		51, 52, 54, 55, 56	EX8			
		2	3, 7		02, 06	EX8			
		2	3, 7		12, 15, 16	EX8			
30	06104725AA	1	2, 6		01, 02, 06	EX8			NUT AND WASHER, M6x1

SPRINTER (VA)

SERIES

L = LOWLINE

LINE

3 = HD DODGE 2WD
8 = HD DODGE 4WD
6 = Lt. Duty DODGE 4WD
2 = Med. Duty DODGE 2WD
7 = Med. Duty DODGE 4WD
4 = TRUCK

BODY

01 = CHASSIS FORWARD CONTROL W.B.1
02 = CAB CHASSIS WHEEL BASE 2
06 = CAB CHASSIS WHEEL BASE 6
11 = VAN WHEEL BASE 1
12 = VAN WHEEL BASE 2
51 = WAGON WHEEL BASE 1
52 = WAGON WHEEL BASE 2
14 = VAN WHEEL BASE 4
15 = VAN WHEEL BASE 5
54 = WAGON WHEEL BASE 4
55 = WAGON WHEEL BASE 5
56 = WAGON WHEEL BASE 6
16 = VAN WHEEL BASE 6

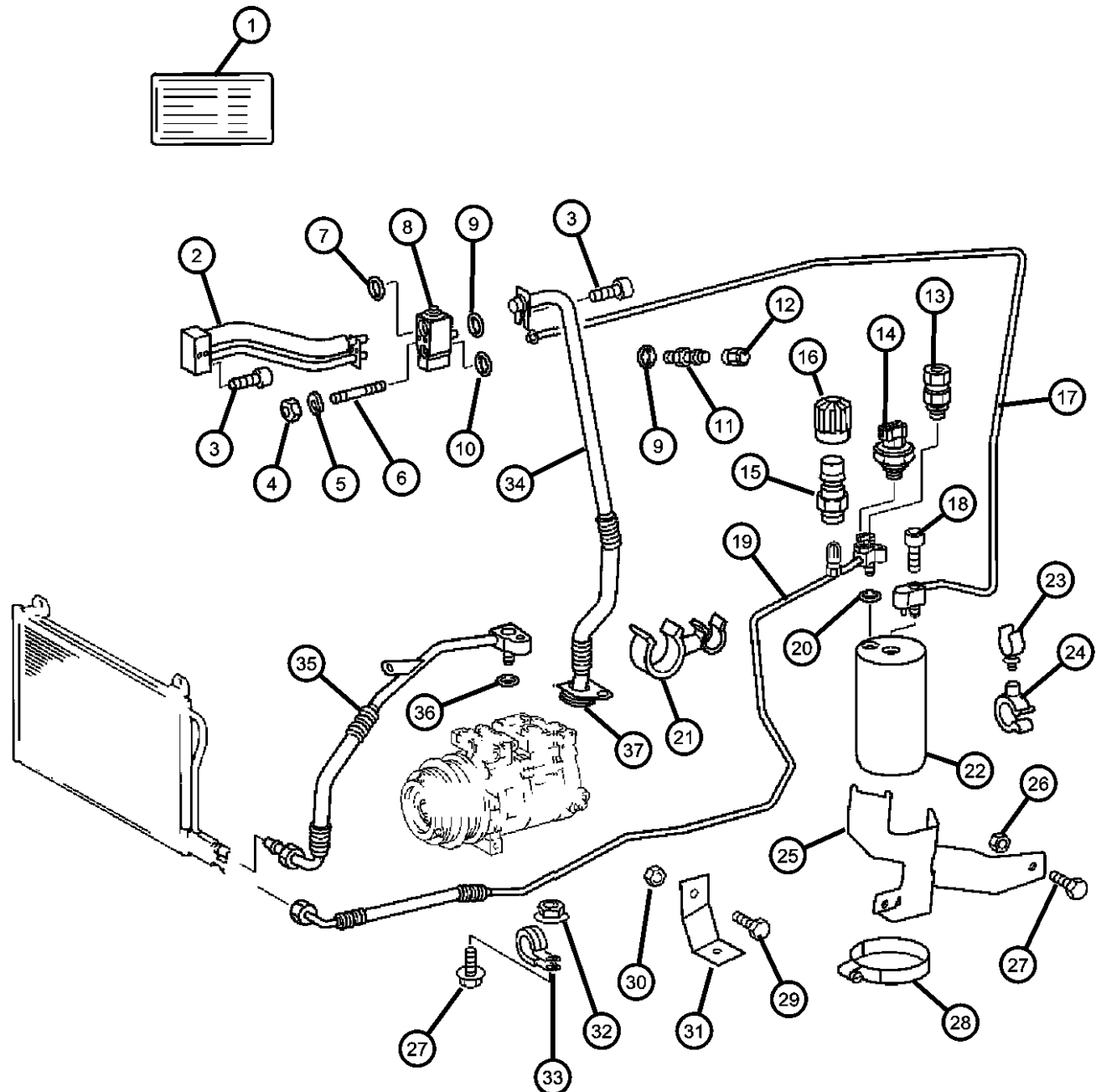
ENGINE

EX8 = 2.7L I5 Turbo Diesel Engine
EX9 = 2.7L I5 Mercedes-Benz TD Engine

TRANSMISSION

DGJ = 5-Speed Automatic MB Transmission
DGZ = 4-Spd. Automatic MT643 Transmission

Plumbing, Air Conditioning
Figure 24-240



ITEM	PART NUMBER	QTY	LINE	SERIES	BODY	ENGINE	TRANS	TRIM	DESCRIPTION
		1	2, 6		11, 12, 14, 15, 16	EX8			
		1	2, 6		51, 52, 54, 55, 56	EX8			
		1	3, 7		02, 06	EX8			
		1	3, 7		12, 15, 16	EX8			
31		1							BRACKET, (NOT SERVICED)
32									NUT, Hex, M6
	05096978AA	2	2, 6		01, 02, 06	EX8			
		2	2, 6		11, 12, 14, 15, 16	EX8			
		2	2, 6		51, 52, 54, 55, 56	EX8			
		2	3, 7		02, 06	EX8			
		2	3, 7		12, 15, 16	EX8			
33									CLAMP, Air Conditioning Piping
	05126284AA	1	2, 6		11, 12, 14, 15, 16	EX8			
		1	2, 6		51, 52, 54, 55, 56	EX8			
		1	3, 7		02, 06	EX8			
		1	3, 7		12, 15, 16	EX8			
34		1	2, 6		01, 02, 06	EX8			LINE, Expansion Valve to Compressor
	05124647AA	1	2, 6		51, 52, 54, 55, 56	EX8			
		1	3, 7		02, 06	EX8			
		1	3, 7		12, 15, 16	EX8			
		1	2, 6		01, 02, 06	EX8			
		1	2, 6		11, 12, 14, 15, 16	EX8			

SPRINTER (VA)

SERIES

L = LOWLINE

LINE

3 = HD DODGE 2WD
8 = HD DODGE 4WD
6 = Lt. Duty DODGE 4WD
2 = Med. Duty DODGE 2WD
7 = Med. Duty DODGE 4WD
4 = TRUCK

BODY

01 = CHASSIS FORWARD CONTROL W.B.1
02 = CAB CHASSIS WHEEL BASE 2
06 = CAB CHASSIS WHEEL BASE 6
11 = VAN WHEEL BASE 1
12 = VAN WHEEL BASE 2
51 = WAGON WHEEL BASE 1
52 = WAGON WHEEL BASE 2
14 = VAN WHEEL BASE 4
15 = VAN WHEEL BASE 5
54 = WAGON WHEEL BASE 4
55 = WAGON WHEEL BASE 5
56 = WAGON WHEEL BASE 6
16 = VAN WHEEL BASE 6

ENGINE

EX8 = 2.7L I5 Turbo Diesel Engine
EX9 = 2.7L I5 Mercedes-Benz TD Engine

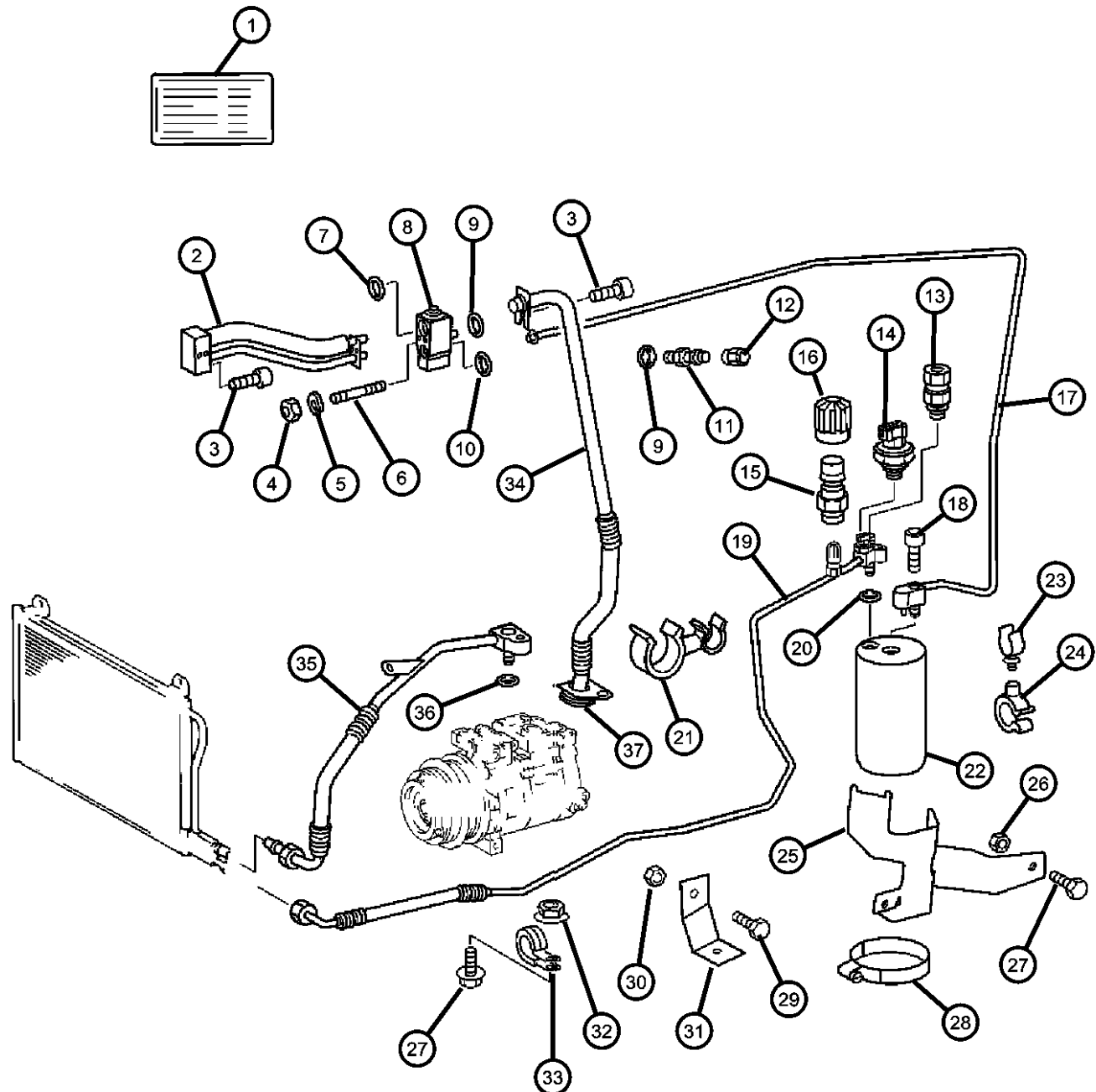
TRANSMISSION

DGJ = 5-Speed Automatic MB Transmission
DGZ = 4-Spd. Automatic MT643 Transmission

AR = use ase required - = Non illustrated part

2006 VA

**Plumbing, Air Conditioning
Figure 24-240**

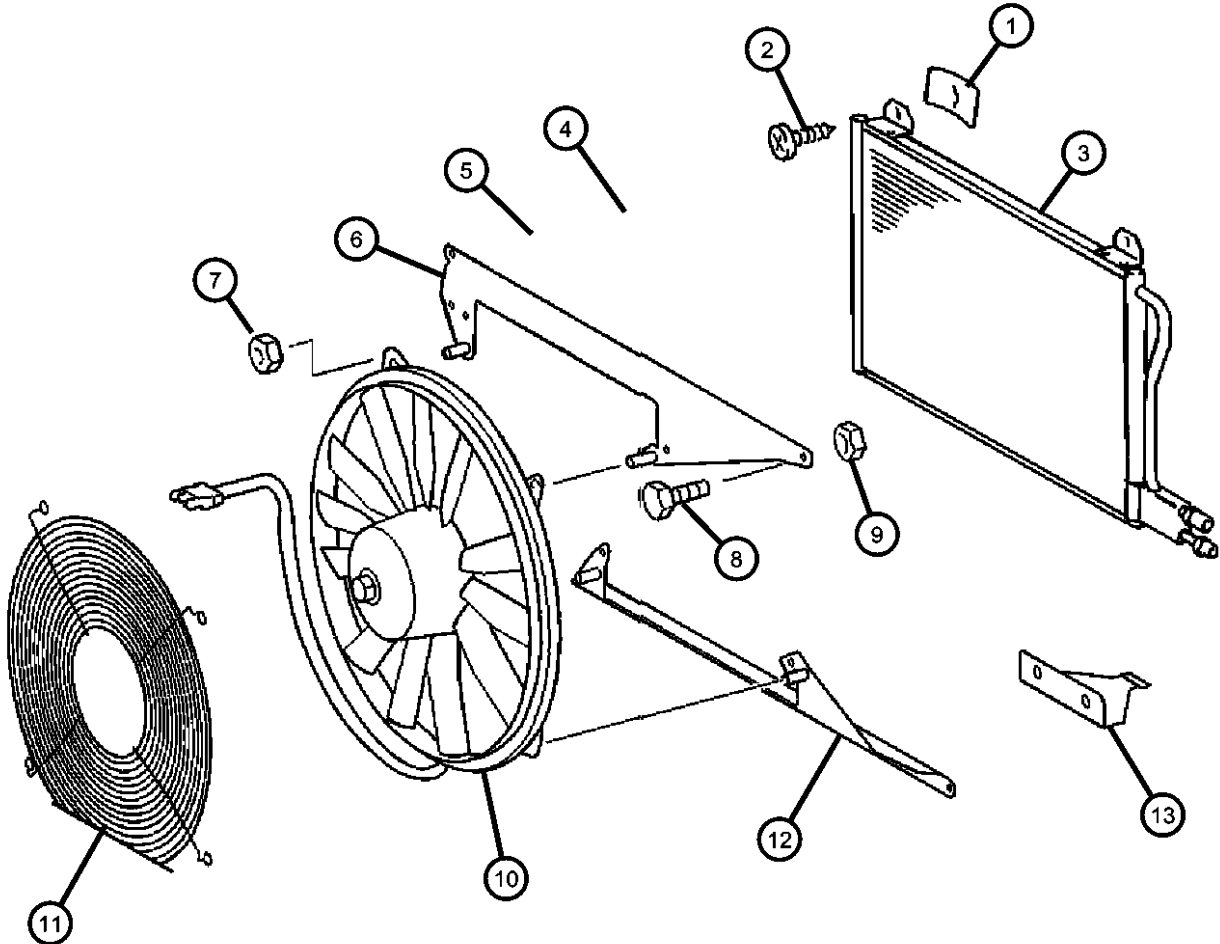


ITEM	PART NUMBER	QTY	LINE	SERIES	BODY	ENGINE	TRANS	TRIM	DESCRIPTION
35	05124817AA	1	2, 6		01, 02, 06	EX8			LINE, A/C Compressor
		1	2, 6		11, 12, 14, 15, 16	EX8			
		1	2, 6		51, 52, 54, 55, 56	EX8			
		1	3, 7		02, 06	EX8			
		1	3, 7		12, 15, 16	EX8			
36	05098972AA	1	2, 6		01, 02, 06	EX8			O RING, A/C Line
		1	2, 6		11, 12, 14, 15, 16	EX8			
		1	3, 7		02, 06	EX8			
		1	3, 7		12, 15, 16	EX8			
		1	2, 6		51, 52, 54, 55, 56	EX8			
37	05134027AA	1	2, 6		01, 02, 06	EX8			SEAL, O-Ring
		1	2, 6		11, 12, 14, 15, 16	EX8			
		1	2, 6		51, 52, 54, 55, 56	EX8			
		1	3, 7		02, 06	EX8			
		1	3, 7		12, 15, 16	EX8			

- SPRINTER (VA)**
- | | | | | |
|---------------|---|--|--|--|
| SERIES | LINE | BODY | ENGINE | TRANSMISSION |
| L = LOWLINE | 3 = HD DODGE 2WD
8 = HD DODGE 4WD
6 = Lt. Duty DODGE 4WD
2 = Med. Duty DODGE 2WD
7 = Med. Duty DODGE 4WD
4 = TRUCK | 01 = CHASSIS FORWARD CONTROL W.B.1
02 = CAB CHASSIS WHEEL BASE 2
06 = CAB CHASSIS WHEEL BASE 6
11 = VAN WHEEL BASE 1
12 = VAN WHEEL BASE 2
51 = WAGON WHEEL BASE 1
52 = WAGON WHEEL BASE 2
14 = VAN WHEEL BASE 4
15 = VAN WHEEL BASE 5
54 = WAGON WHEEL BASE 4
55 = WAGON WHEEL BASE 5
56 = WAGON WHEEL BASE 6
16 = VAN WHEEL BASE 6 | EX8 = 2.7L I5 Turbo Diesel Engine
EX9 = 2.7L I5 Mercedes-Benz TD Engine | DGJ = 5-Speed Automatic MB Transmission
DGZ = 4-Spd. Automatic MT643 Transmission |

AR = use ase required - = Non illustrated part

**Condenser, Fan Front
Figure 24-250**



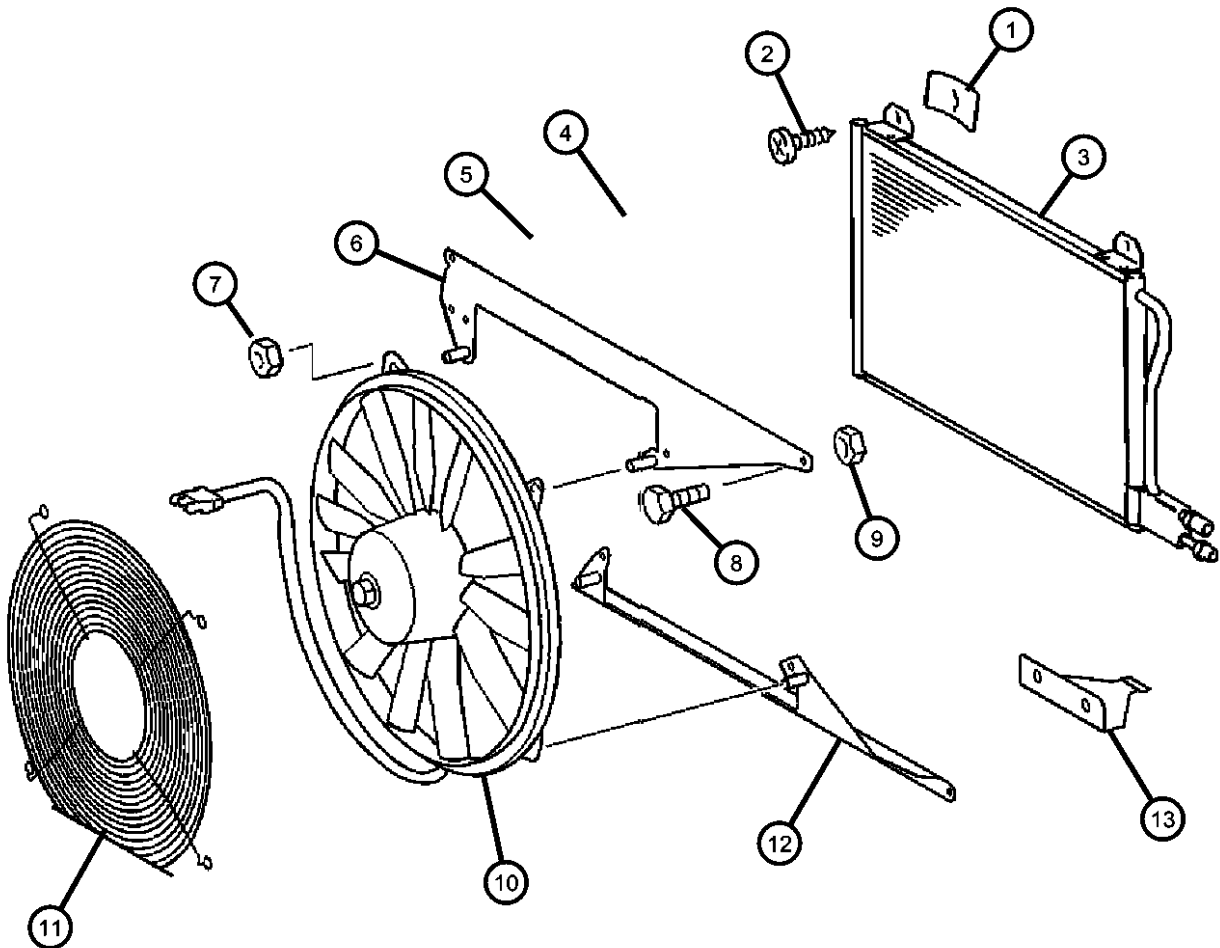
ITEM	PART NUMBER	QTY	LINE	SERIES	BODY	ENGINE	TRANS	TRIM	DESCRIPTION
1									CLIP
	05103735AA	4	2, 6		01, 02, 06	EX8			
		4	2, 6		11, 12, 14, 15, 16	EX8			
		4	2, 6		51, 52, 54, 55, 56	EX8			
		4	3, 7		02, 06	EX8			
		4	3, 7		12, 15, 16	EX8			
2									SCREW, Tapping
	06104574AA	4	2, 6		01, 02, 06	EX8			
		4	2, 6		11, 12, 14, 15, 16	EX8			
		4	2, 6		51, 52, 54, 55, 56	EX8			
		4	3, 7		12, 15, 16	EX8			
		4	3, 7		02, 06	EX8			
3									CONDENSER, A/C
	05104114AA	1	2, 6		01, 02, 06	EX8			[HAB]
		1	2, 6		11, 12, 14, 15, 16	EX8			[HAB]
		1	2, 6		51, 52, 54, 55, 56	EX8			[HAB]
		1	3, 7		02, 06	EX8			[HAB]
		1	3, 7		12, 15, 16	EX8			[HAB]
	05132357AA	1	2, 6		11, 12, 14, 15, 16	EX8			[HAD]
		1	2, 6		51, 52, 54, 55, 56	EX8			[HAD]
		1	3, 7		12, 15, 16	EX8			[HAD]
4									STUD, Cooling Fan
	05104031AA	2	2, 6		01, 02, 06	EX8			
		2	2, 6		11, 12, 14, 15, 16	EX8			

SPRINTER (VA)

SERIES	LINE	BODY	ENGINE	TRANSMISSION
L = LOWLINE	3 = HD DODGE 2WD 8 = HD DODGE 4WD 6 = Lt. Duty DODGE 4WD 2 = Med. Duty DODGE 2WD 7 = Med. Duty DODGE 4WD 4 = TRUCK	01 = CHASSIS FORWARD CONTROL W.B.1 02 = CAB CHASSIS WHEEL BASE 2 06 = CAB CHASSIS WHEEL BASE 6 11 = VAN WHEEL BASE 1 12 = VAN WHEEL BASE 2 51 = WAGON WHEEL BASE 1 52 = WAGON WHEEL BASE 2 14 = VAN WHEEL BASE 4 15 = VAN WHEEL BASE 5 54 = WAGON WHEEL BASE 4 55 = WAGON WHEEL BASE 5 56 = WAGON WHEEL BASE 6 16 = VAN WHEEL BASE 6	EX8 = 2.7L I5 Turbo Diesel Engine EX9 = 2.7L I5 Mercedes-Benz TD Engine	DGJ = 5-Speed Automatic MB Transmission DGZ = 4-Spd. Automatic MT643 Transmission

AR = use ase required - = Non illustrated part

Condenser, Fan Front
Figure 24-250



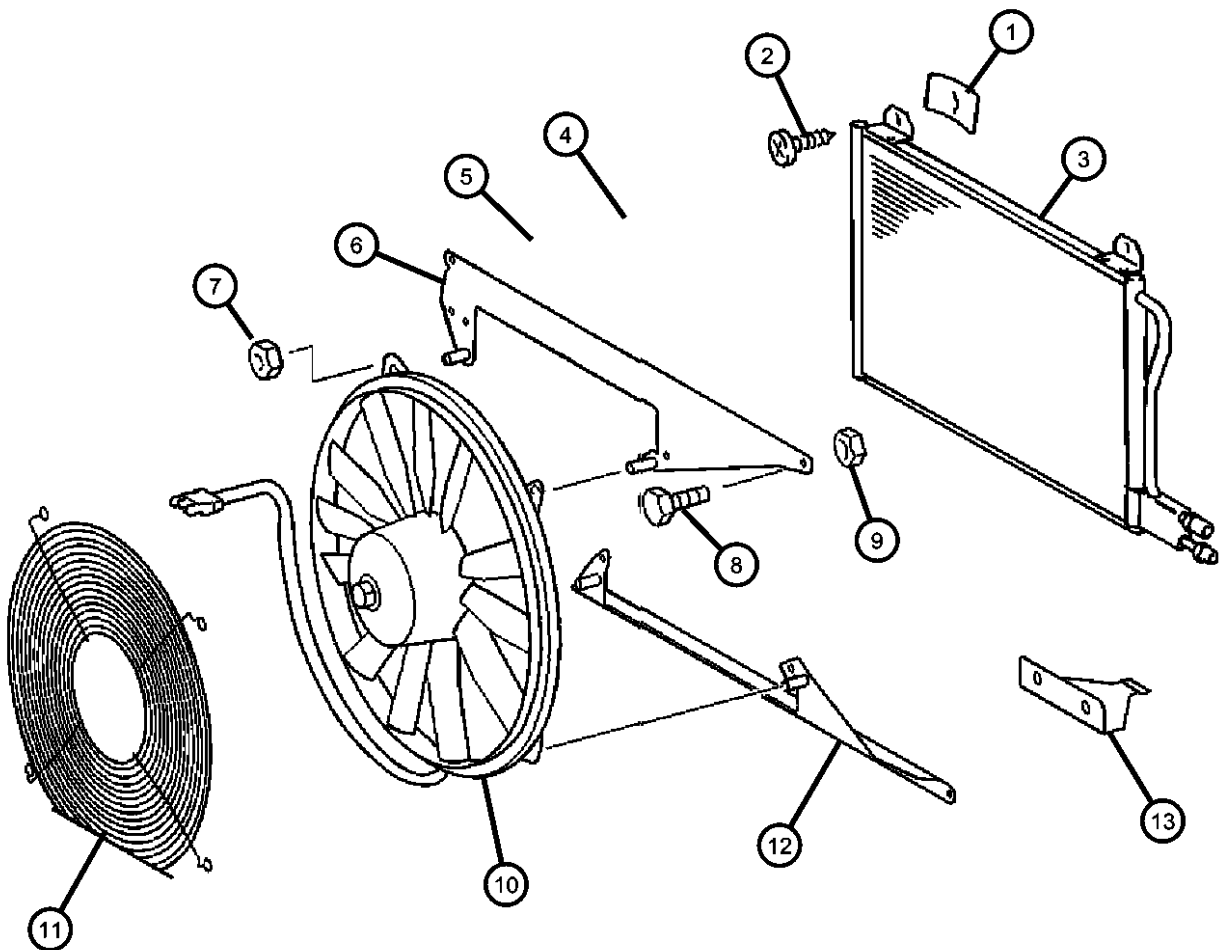
ITEM	PART NUMBER	QTY	LINE	SERIES	BODY	ENGINE	TRANS	TRIM	DESCRIPTION
		2	2, 6		51, 52, 54, 55, 56	EX8			
		2	3, 7		02, 06	EX8			
		2	3, 7		12, 15, 16	EX8			
5									NUT
	05104675AA	2	2, 6		01, 02, 06	EX8			
		2	2, 6		11, 12, 14, 15, 16	EX8			
		2	2, 6		51, 52, 54, 55, 56	EX8			
		2	3, 7		02, 06	EX8			
		2	3, 7		12, 15, 16	EX8			
6									BRACKET, Fan
	05119989AA	1	2, 6		01, 02, 06	EX8			
		1	2, 6		51, 52, 54, 55, 56	EX8			
		1	3, 7		02, 06	EX8			
		1	3, 7		12, 15, 16	EX8			
		1	2, 6		11, 12, 14, 15, 16	EX8			
7									NUT
	06104715AA	4	2, 6		01, 02, 06	EX8			
		4	2, 6		11, 12, 14, 15, 16	EX8			
		4	2, 6		51, 52, 54, 55, 56	EX8			
		4	3, 7		02, 06	EX8			
		4	3, 7		12, 15, 16	EX8			
8									SCREW
	06104005AA	2	2, 6		01, 02, 06	EX8			
		2	2, 6		11, 12, 14, 15, 16	EX8			

SPRINTER (VA)

SERIES	LINE	BODY	ENGINE	TRANSMISSION
L = LOWLINE	3 = HD DODGE 2WD 8 = HD DODGE 4WD 6 = Lt. Duty DODGE 4WD 2 = Med. Duty DODGE 2WD 7 = Med. Duty DODGE 4WD 4 = TRUCK	01 = CHASSIS FORWARD CONTROL W.B.1 02 = CAB CHASSIS WHEEL BASE 2 06 = CAB CHASSIS WHEEL BASE 6 11 = VAN WHEEL BASE 1 12 = VAN WHEEL BASE 2 51 = WAGON WHEEL BASE 1 52 = WAGON WHEEL BASE 2 14 = VAN WHEEL BASE 4 15 = VAN WHEEL BASE 5 54 = WAGON WHEEL BASE 4 55 = WAGON WHEEL BASE 5 56 = WAGON WHEEL BASE 6 16 = VAN WHEEL BASE 6	EX8 = 2.7L I5 Turbo Diesel Engine EX9 = 2.7L I5 Mercedes-Benz TD Engine	DGJ = 5-Speed Automatic MB Transmission DGZ = 4-Spd. Automatic MT643 Transmission

AR = use ase required - = Non illustrated part

Condenser, Fan Front
Figure 24-250



ITEM	PART NUMBER	QTY	LINE	SERIES	BODY	ENGINE	TRANS	TRIM	DESCRIPTION
		2	2, 6		51, 52, 54, 55, 56	EX8			
		2	3, 7		02, 06	EX8			
		2	3, 7		12, 15, 16	EX8			
9									NUT
	06104715AA	4	2, 6		01, 02, 06	EX8			
		4	2, 6		11, 12, 14, 15, 16	EX8			
		4	2, 6		51, 52, 54, 55, 56	EX8			
		4	3, 7		02, 06	EX8			
		4	3, 7		12, 15, 16	EX8			
10									FAN, Condenser
	05103653AA	1	2, 6		01, 02, 06	EX8			
		1	2, 6		11, 12, 14, 15, 16	EX8			
		1	2, 6		51, 52, 54, 55, 56	EX8			
		1	3, 7		02, 06	EX8			
		1	3, 7		12, 15, 16	EX8			
11									GRILLE, Air Inlet
	05104121AA	1	2, 6		01, 02, 06	EX8			
		1	2, 6		11, 12, 14, 15, 16	EX8			
		1	2, 6		51, 52, 54, 55, 56	EX8			
		1	3, 7		02, 06	EX8			
		1	3, 7		12, 15, 16	EX8			
12									BRACKET, Fan
	05104113AA	1	2, 6		51, 52, 54, 55, 56	EX8			
		1	3, 7		02, 06	EX8			

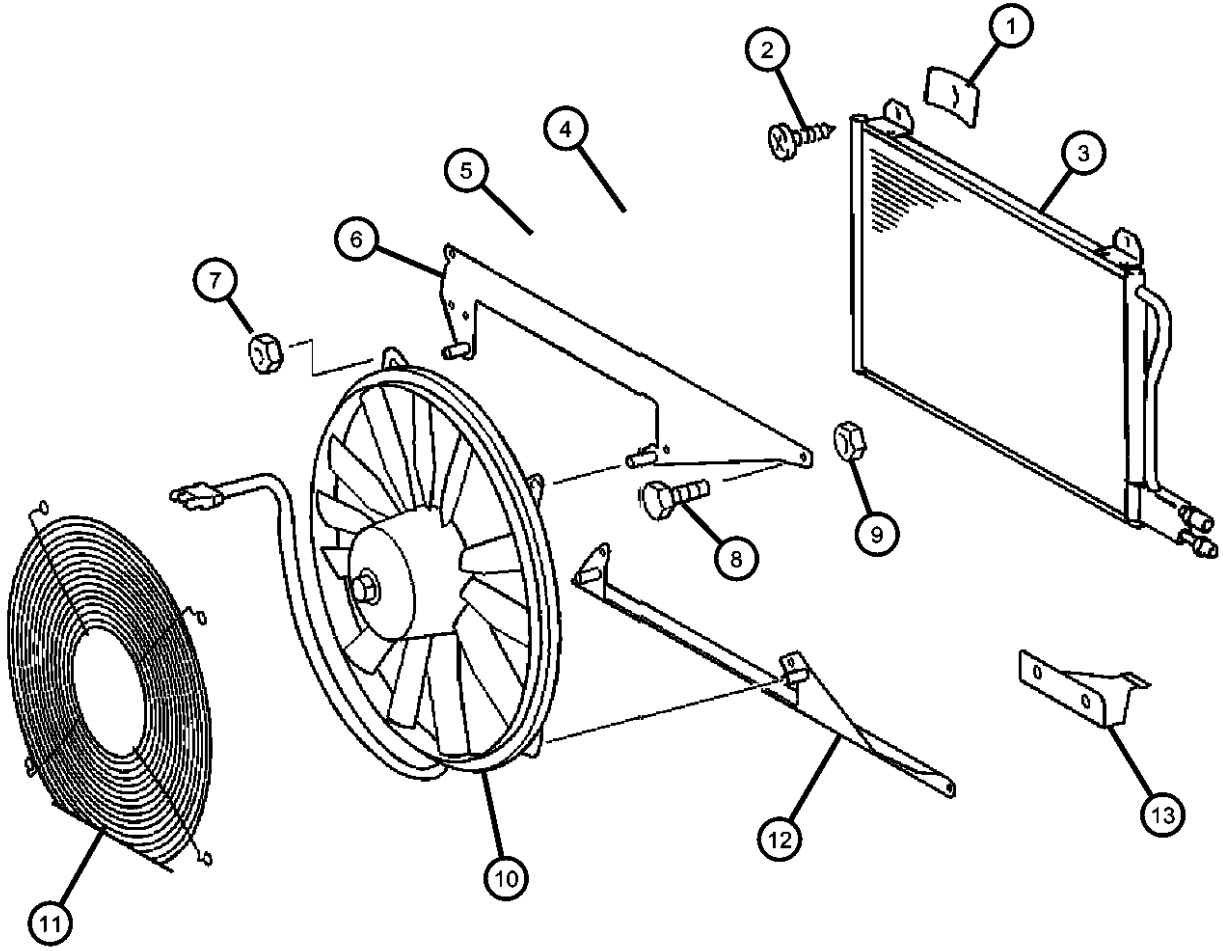
SPRINTER (VA)

SERIES	LINE	BODY	ENGINE	TRANSMISSION
L = LOWLINE	3 = HD DODGE 2WD 8 = HD DODGE 4WD 6 = Lt. Duty DODGE 4WD 2 = Med. Duty DODGE 2WD 7 = Med. Duty DODGE 4WD 4 = TRUCK	01 = CHASSIS FORWARD CONTROL W.B.1 02 = CAB CHASSIS WHEEL BASE 2 06 = CAB CHASSIS WHEEL BASE 6 11 = VAN WHEEL BASE 1 12 = VAN WHEEL BASE 2 51 = WAGON WHEEL BASE 1 52 = WAGON WHEEL BASE 2 14 = VAN WHEEL BASE 4 15 = VAN WHEEL BASE 5 54 = WAGON WHEEL BASE 4 55 = WAGON WHEEL BASE 5 56 = WAGON WHEEL BASE 6 16 = VAN WHEEL BASE 6	EX8 = 2.7L I5 Turbo Diesel Engine EX9 = 2.7L I5 Mercedes-Benz TD Engine	DGJ = 5-Speed Automatic MB Transmission DGZ = 4-Spd. Automatic MT643 Transmission

AR = use ase required - = Non illustrated part

Condenser, Fan Front
Figure 24-250

ITEM	PART NUMBER	QTY	LINE	SERIES	BODY	ENGINE	TRANS	TRIM	DESCRIPTION
		1	3, 7		12, 15, 16	EX8			
		1	2, 6		01, 02, 06	EX8			
		1	2, 6		11, 12, 14, 15, 16	EX8			
13	05120001AA	1	2, 6		01, 02, 06	EX8			BRACKET
		1	2, 6		11, 12, 14, 15, 16	EX8			
		1	2, 6		51, 52, 54, 55, 56	EX8			
		1	3, 7		02, 06	EX8			
		1	3, 7		12, 15, 16	EX8			

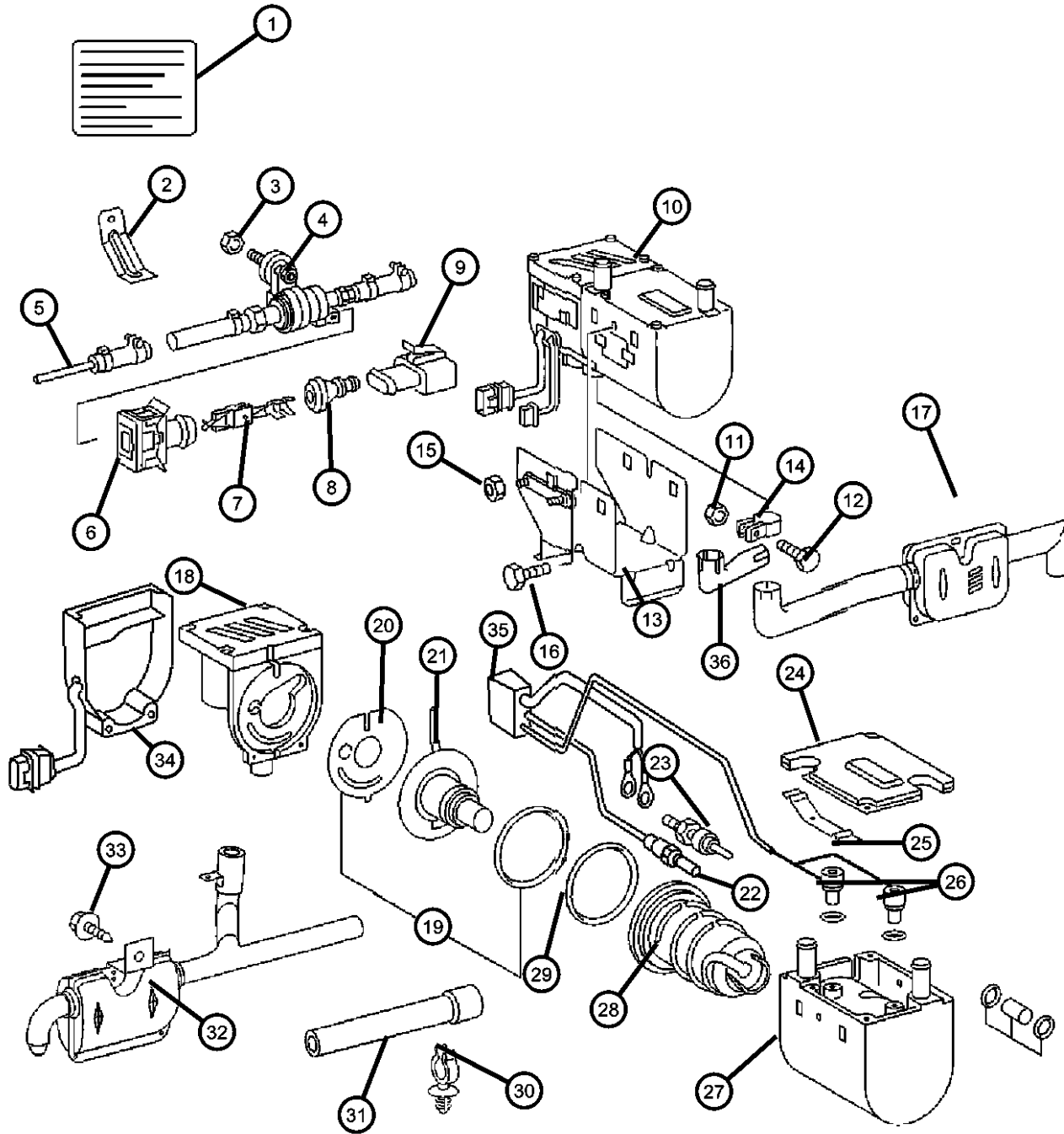


SPRINTER (VA)

SERIES	LINE	BODY	ENGINE	TRANSMISSION
L = LOWLINE	3 = HD DODGE 2WD 8 = HD DODGE 4WD 6 = Lt. Duty DODGE 4WD 2 = Med. Duty DODGE 2WD 7 = Med. Duty DODGE 4WD 4 = TRUCK	01 = CHASSIS FORWARD CONTROL W.B.1 02 = CAB CHASSIS WHEEL BASE 2 06 = CAB CHASSIS WHEEL BASE 6 11 = VAN WHEEL BASE 1 12 = VAN WHEEL BASE 2 51 = WAGON WHEEL BASE 1 52 = WAGON WHEEL BASE 2 14 = VAN WHEEL BASE 4 15 = VAN WHEEL BASE 5 54 = WAGON WHEEL BASE 4 55 = WAGON WHEEL BASE 5 56 = WAGON WHEEL BASE 6 16 = VAN WHEEL BASE 6	EX8 = 2.7L I5 Turbo Diesel Engine EX9 = 2.7L I5 Mercedes-Benz TD Engine	DGJ = 5-Speed Automatic MB Transmission DGZ = 4-Spd. Automatic MT643 Transmission

AR = use ase required - = Non illustrated part

**Auxiliary Warm Water Heater
Figure 24-260**



ITEM	PART NUMBER	QTY	LINE	SERIES	BODY	ENGINE	TRANS	TRIM	DESCRIPTION
1	05104152AA	1	2, 6		01, 02, 06	EX8			LABEL, Fuel
		1	2, 6		11, 12, 14, 15, 16	EX8			
		1	2, 6		51, 52, 54, 55, 56	EX8			
		1	3, 7		02, 06	EX8			
		1	3, 7		12, 15, 16	EX8			
2	05119706AA	1	2, 6		01, 02, 06	EX8			BRACKET
		1	2, 6		11, 12, 14, 15, 16	EX8			
		1	2, 6		51, 52, 54, 55, 56	EX8			
		1	3, 7		02, 06	EX8			
		1	3, 7		12, 15, 16	EX8			
3	05096978AA	1	2, 6		01, 02, 06	EX8			NUT, Hex, M6
		1	2, 6		11, 12, 14, 15, 16	EX8			
		1	2, 6		52, 54, 55, 56, 51	EX8			
		1	3, 7		02, 06	EX8			
		1	3, 7		12, 15, 16	EX8			
4	05124900AA	1	2, 6		01, 02, 06	EX8			PUMP, Fuel
		1	2, 6		11, 12, 14, 15, 16	EX8			
		1	2, 6		51, 52, 54, 55, 56	EX8			
		1	3, 7		02, 06	EX8			
		1	3, 7		12, 15, 16	EX8			

SPRINTER (VA)
SERIES
 L = LOWLINE

LINE
 3 = HD DODGE 2WD
 8 = HD DODGE 4WD
 6 = Lt. Duty DODGE 4WD
 2 = Med. Duty DODGE 2WD
 7 = Med. Duty DODGE 4WD
 4 = TRUCK

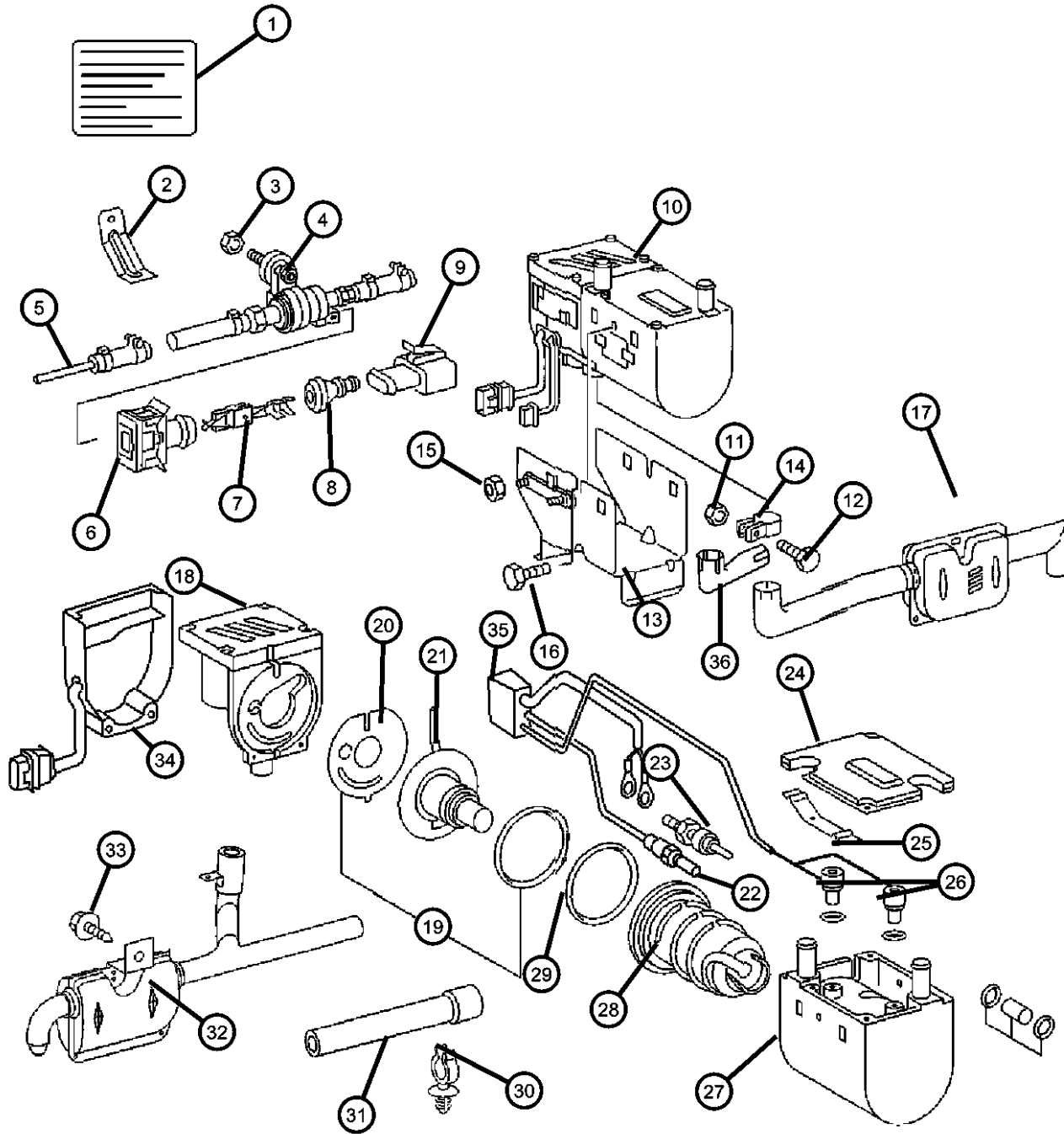
BODY
 01 = CHASSIS FORWARD CONTROL W.B.1
 02 = CAB CHASSIS WHEEL BASE 2
 06 = CAB CHASSIS WHEEL BASE 6
 11 = VAN WHEEL BASE 1
 12 = VAN WHEEL BASE 2
 51 = WAGON WHEEL BASE 1
 52 = WAGON WHEEL BASE 2
 14 = VAN WHEEL BASE 4
 15 = VAN WHEEL BASE 5
 54 = WAGON WHEEL BASE 4
 55 = WAGON WHEEL BASE 5
 56 = WAGON WHEEL BASE 6
 16 = VAN WHEEL BASE 6

ENGINE
 EX8 = 2.7L I5 Turbo Diesel Engine
 EX9 = 2.7L I5 Mercedes-Benz TD Engine

TRANSMISSION
 DGJ = 5-Speed Automatic MB Transmission
 DGZ = 4-Spd. Automatic MT643 Transmission

AR = use ase required - = Non illustrated part

**Auxiliary Warm Water Heater
Figure 24-260**



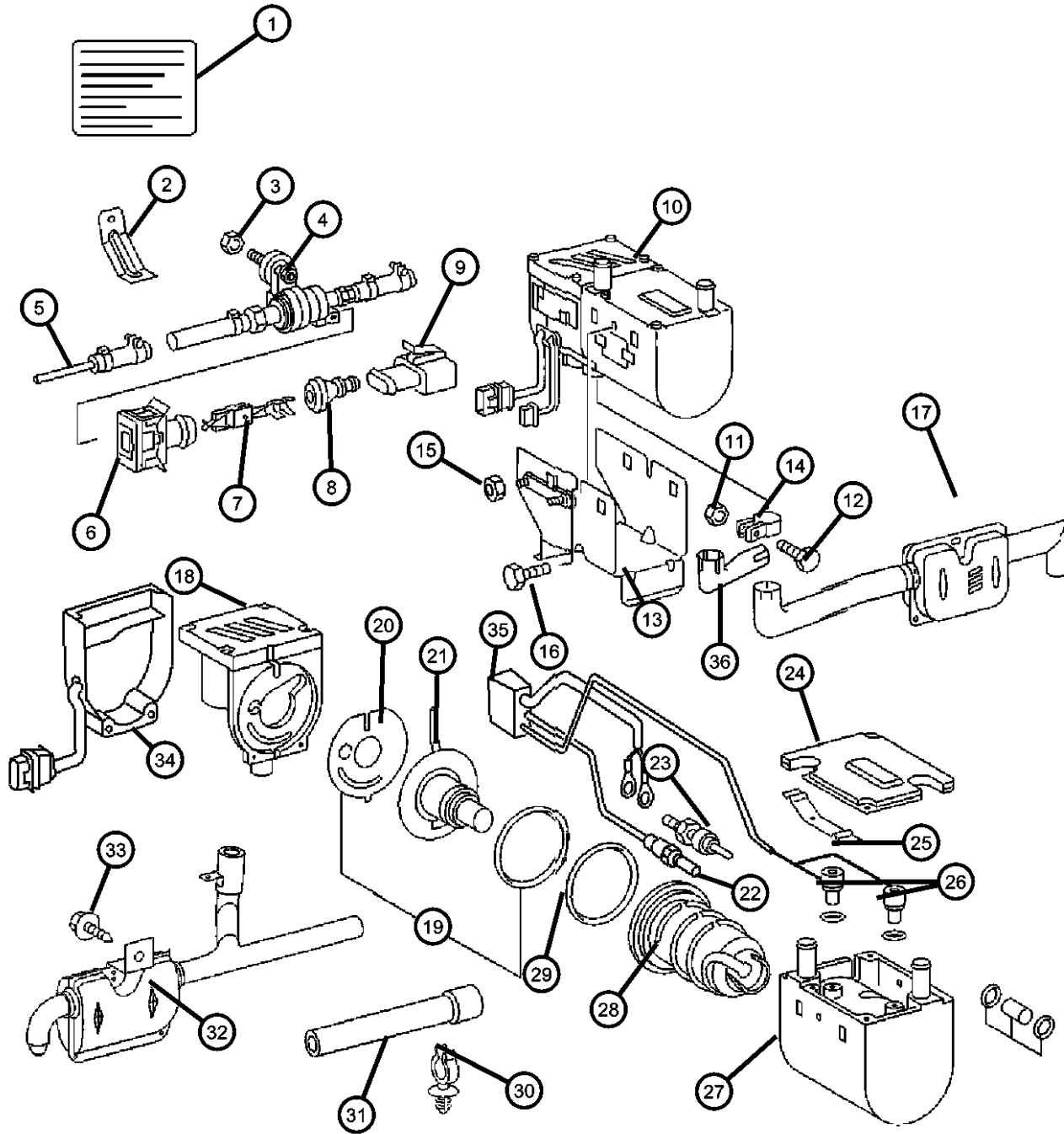
ITEM	PART NUMBER	QTY	LINE	SERIES	BODY	ENGINE	TRANS	TRIM	DESCRIPTION
5	05124631AA	1	2, 6		01, 02, 06	EX8			LINE, Heater
		1	2, 6		11, 12, 14, 15, 16	EX8			
		1	2, 6		51, 52, 54, 55, 56	EX8			
		1	3, 7		02, 06	EX8			
		1	3, 7		12, 15, 16	EX8			
6	05120679AA	2	2, 6		01, 02, 06	EX8			CONNECTOR
		2	2, 6		11, 12, 14, 15, 16	EX8			
		2	2, 6		55, 56, 51, 52, 54	EX8			
		2	3, 7		02, 06	EX8			
		2	3, 7		12, 15, 16	EX8			
7	05103880AA	99	2, 6		01, 02, 06	EX8			TERMINAL
		99	2, 6		11, 12, 14, 15, 16	EX8			
		99	2, 6		51, 52, 54, 55, 56	EX8			
		99	3, 7		02, 06	EX8			
		99	3, 7		12, 15, 16	EX8			
8	05120881AA	1	2, 6		01, 02, 06	EX8			BOOT
		1	2, 6		11, 12, 14, 15, 16	EX8			
		1	2, 6		51, 52, 54, 55, 56	EX8			
		1	3, 7		02, 06	EX8			
		1	3, 7		12, 15, 16	EX8			

SPRINTER (VA)

SERIES	LINE	BODY	ENGINE	TRANSMISSION
L = LOWLINE	3 = HD DODGE 2WD 8 = HD DODGE 4WD 6 = Lt. Duty DODGE 4WD 2 = Med. Duty DODGE 2WD 7 = Med. Duty DODGE 4WD 4 = TRUCK	01 = CHASSIS FORWARD CONTROL W.B.1 02 = CAB CHASSIS WHEEL BASE 2 06 = CAB CHASSIS WHEEL BASE 6 11 = VAN WHEEL BASE 1 12 = VAN WHEEL BASE 2 51 = WAGON WHEEL BASE 1 52 = WAGON WHEEL BASE 2 14 = VAN WHEEL BASE 4 15 = VAN WHEEL BASE 5 54 = WAGON WHEEL BASE 4 55 = WAGON WHEEL BASE 5 56 = WAGON WHEEL BASE 6 16 = VAN WHEEL BASE 6	EX8 = 2.7L I5 Turbo Diesel Engine EX9 = 2.7L I5 Mercedes-Benz TD Engine	DGJ = 5-Speed Automatic MB Transmission DGZ = 4-Spd. Automatic MT643 Transmission

AR = use ase required - = Non illustrated part

**Auxiliary Warm Water Heater
Figure 24-260**



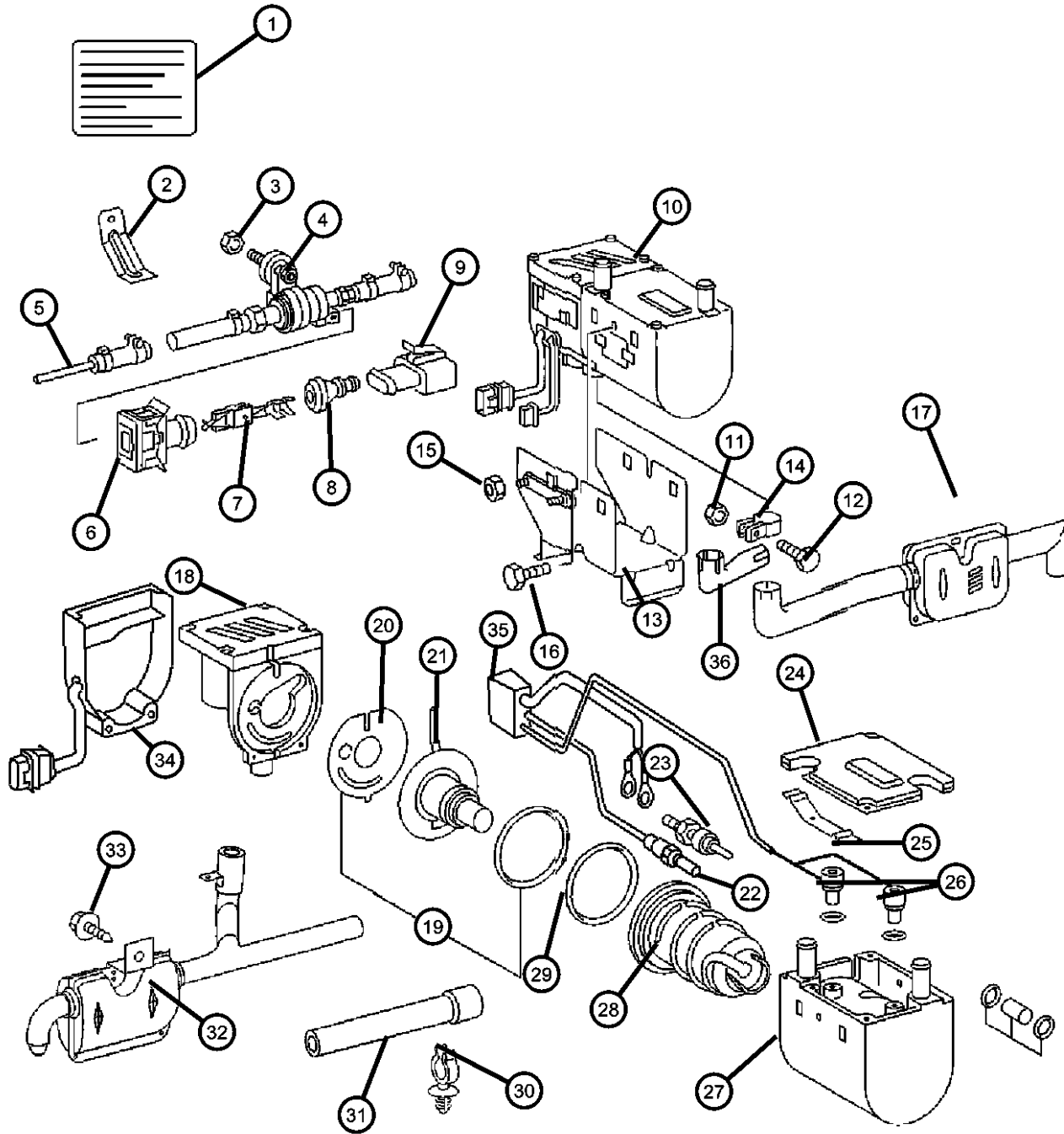
ITEM	PART NUMBER	QTY	LINE	SERIES	BODY	ENGINE	TRANS	TRIM	DESCRIPTION
9	05133296AA	1	2, 6		01, 02, 06	EX8			CONNECTOR
		1	2, 6		11, 12, 14, 15, 16	EX8			
		1	2, 6		51, 52, 54, 55, 56	EX8			
		1	3, 7		02, 06	EX8			
		1	3, 7		12, 15, 16	EX8			
10	05124687AA	0	2, 6		01, 02, 06	EX8			HEATER, Supplemental Diesel Fuel
		0	2, 6		11, 12, 14, 15, 16	EX8			
		0	2, 6		51, 52, 54, 55, 56	EX8			
		0	3, 7		02, 06	EX8			
		0	3, 7		12, 15, 16	EX8			
11	05133317AA	1	2, 6		01, 02, 06	EX8			NUT
		1	2, 6		11, 12, 14, 15, 16	EX8			
		1	2, 6		51, 52, 54, 55, 56	EX8			
		1	3, 7		02, 06	EX8			
		1	3, 7		12, 15, 16	EX8			
12	05133316AA	1	2, 6		01, 02, 06	EX8			BOLT
		1	2, 6		11, 12, 14, 15, 16	EX8			
		1	2, 6		51, 52, 54, 55, 56	EX8			
		1	3, 7		02, 06	EX8			

SPRINTER (VA)

SERIES	LINE	BODY	ENGINE	TRANSMISSION
L = LOWLINE	3 = HD DODGE 2WD 8 = HD DODGE 4WD 6 = Lt. Duty DODGE 4WD 2 = Med. Duty DODGE 2WD 7 = Med. Duty DODGE 4WD 4 = TRUCK	01 = CHASSIS FORWARD CONTROL W.B.1 02 = CAB CHASSIS WHEEL BASE 2 06 = CAB CHASSIS WHEEL BASE 6 11 = VAN WHEEL BASE 1 12 = VAN WHEEL BASE 2 51 = WAGON WHEEL BASE 1 52 = WAGON WHEEL BASE 2 14 = VAN WHEEL BASE 4 15 = VAN WHEEL BASE 5 54 = WAGON WHEEL BASE 4 55 = WAGON WHEEL BASE 5 56 = WAGON WHEEL BASE 6 16 = VAN WHEEL BASE 6	EX8 = 2.7L I5 Turbo Diesel Engine EX9 = 2.7L I5 Mercedes-Benz TD Engine	DGJ = 5-Speed Automatic MB Transmission DGZ = 4-Spd. Automatic MT643 Transmission

AR = use ase required - = Non illustrated part

**Auxiliary Warm Water Heater
Figure 24-260**



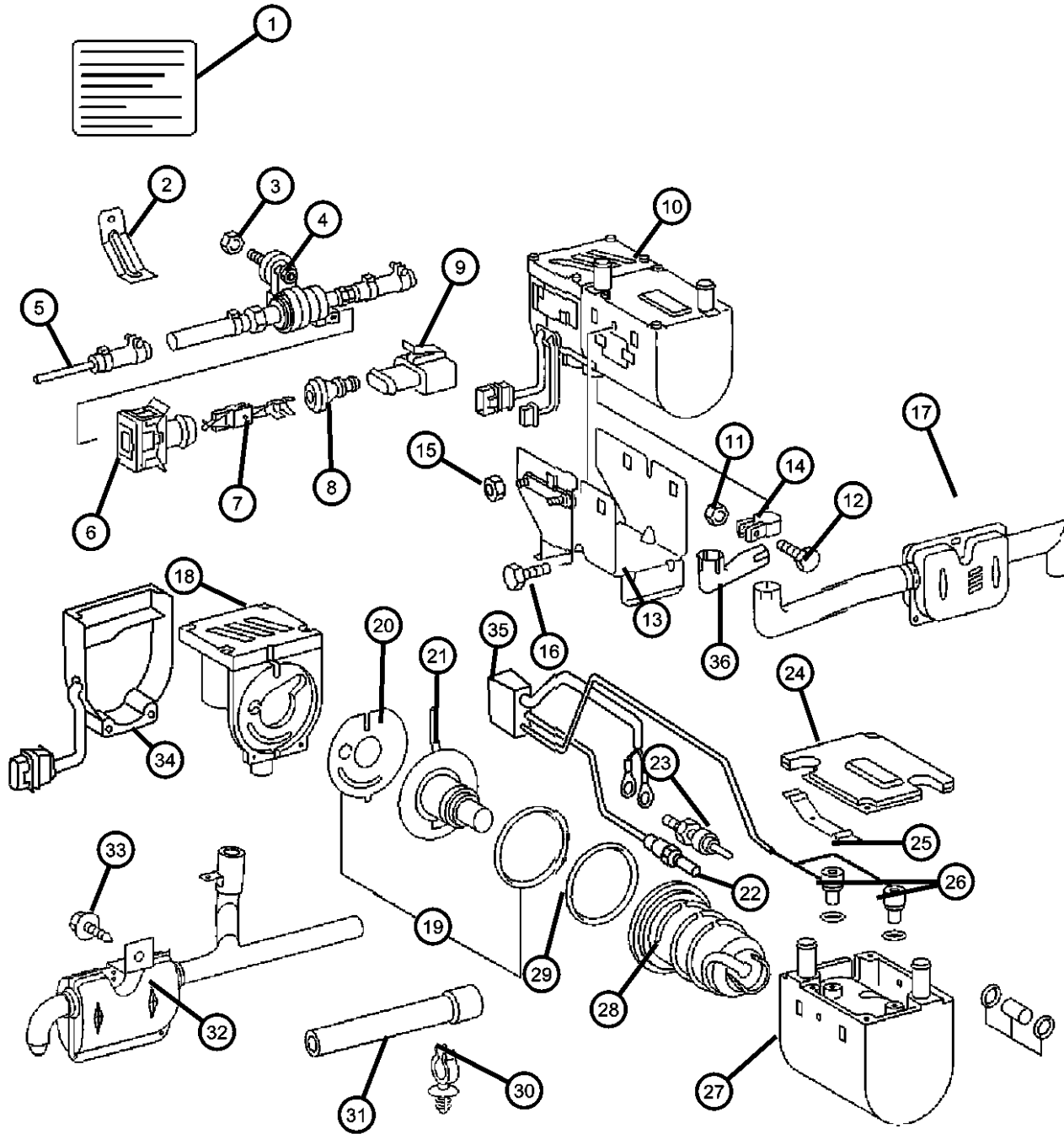
ITEM	PART NUMBER	QTY	LINE	SERIES	BODY	ENGINE	TRANS	TRIM	DESCRIPTION
13		1	3, 7		12, 15, 16	EX8			BRACKET, Heater Core
	05124626AA	1	2, 6		01, 02, 06	EX8			
		1	2, 6		11, 12, 14, 15, 16	EX8			
		1	2, 6		51, 52, 54, 55, 56	EX8			
		1	3, 7		02, 06	EX8			
		1	3, 7		12, 15, 16	EX8			
14		1	2, 6		01, 02, 06	EX8			CLAMP, Exhaust
	05103627AA	1	2, 6		11, 12, 14, 15, 16	EX8			
		1	2, 6		51, 52, 54, 55, 56	EX8			
		1	3, 7		02, 06	EX8			
		1	3, 7		12, 15, 16	EX8			
15		1	2, 6		01, 02, 06	EX8			NUT, Hex
	05097674AA	1	2, 6		52, 54, 55, 56, 51	EX8			
		1	2, 6		11, 12, 14, 15, 16	EX8			
		1	3, 7		02, 06	EX8			
		1	3, 7		12, 15, 16	EX8			
16		2	2, 6		01, 02, 06	EX8			SCREW
	06104003AA	2	2, 6		11, 12, 14, 15, 16	EX8			
		2	2, 6		51, 52, 54, 55, 56	EX8			
		2	3, 7		02, 06	EX8			

SPRINTER (VA)

SERIES	LINE	BODY	ENGINE	TRANSMISSION
L = LOWLINE	3 = HD DODGE 2WD 8 = HD DODGE 4WD 6 = Lt. Duty DODGE 4WD 2 = Med. Duty DODGE 2WD 7 = Med. Duty DODGE 4WD 4 = TRUCK	01 = CHASSIS FORWARD CONTROL W.B.1 02 = CAB CHASSIS WHEEL BASE 2 06 = CAB CHASSIS WHEEL BASE 6 11 = VAN WHEEL BASE 1 12 = VAN WHEEL BASE 2 51 = WAGON WHEEL BASE 1 52 = WAGON WHEEL BASE 2 14 = VAN WHEEL BASE 4 15 = VAN WHEEL BASE 5 54 = WAGON WHEEL BASE 4 55 = WAGON WHEEL BASE 5 56 = WAGON WHEEL BASE 6 16 = VAN WHEEL BASE 6	EX8 = 2.7L I5 Turbo Diesel Engine EX9 = 2.7L I5 Mercedes-Benz TD Engine	DGJ = 5-Speed Automatic MB Transmission DGZ = 4-Spd. Automatic MT643 Transmission

AR = use ase required - = Non illustrated part

**Auxiliary Warm Water Heater
Figure 24-260**



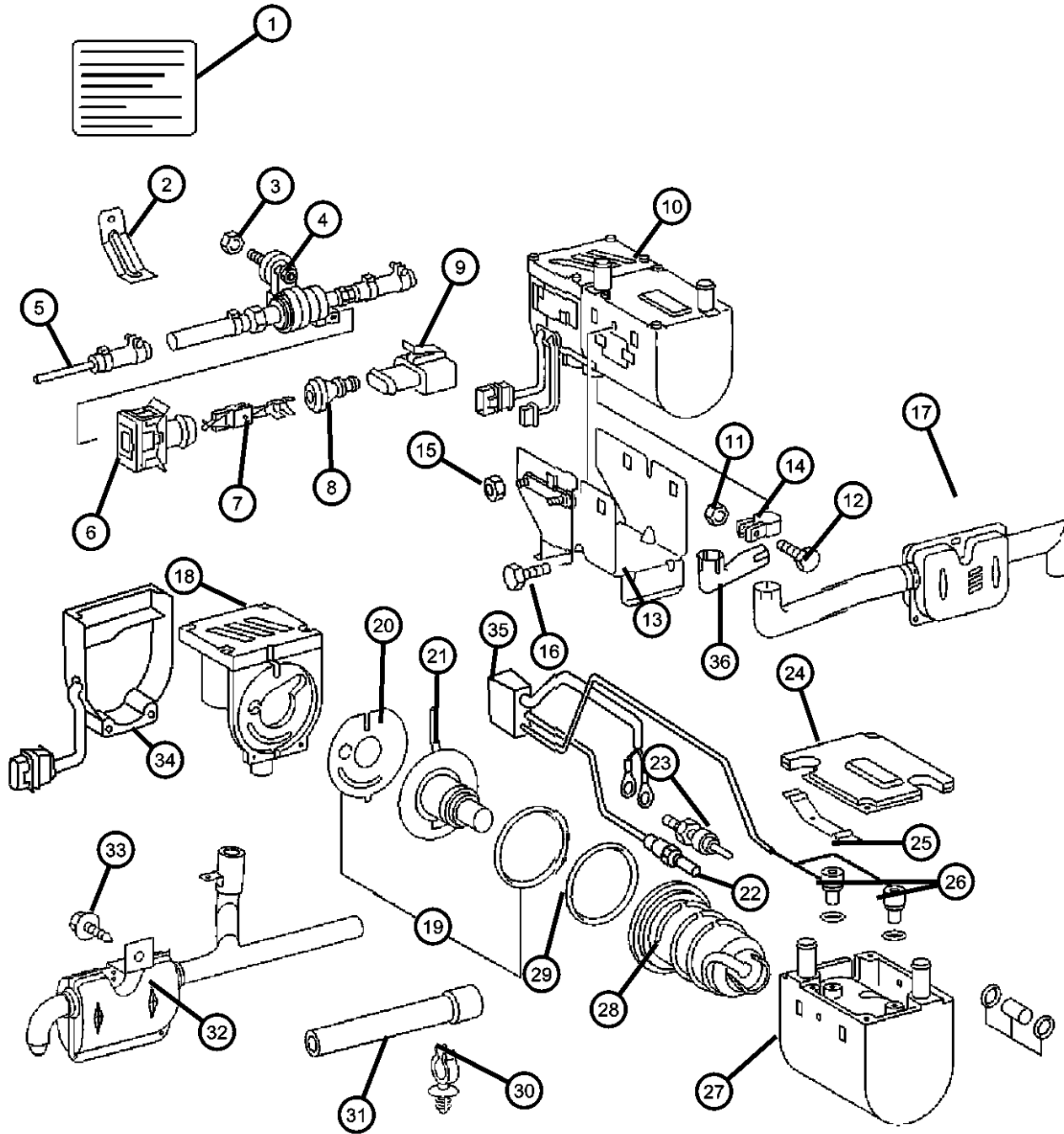
ITEM	PART NUMBER	QTY	LINE	SERIES	BODY	ENGINE	TRANS	TRIM	DESCRIPTION
17		2	3, 7		12, 15, 16	EX8			MUFFLER, Exhaust
	05143178AA	1	2, 6		01, 02, 06	EX8			
		1	2, 6		11, 12, 14, 15, 16	EX8			
		1	2, 6		51, 52, 54, 55, 56	EX8			
		1	3, 7		02, 06	EX8			
		1	3, 7		12, 15, 16	EX8			
18									BLOWER
	05133435AA	1	2, 6		01, 02, 06	EX8			
		1	2, 6		11, 12, 14, 15, 16	EX8			
		1	2, 6		51, 52, 54, 55, 56	EX8			
		1	3, 7		02, 06	EX8			
		1	3, 7		12, 15, 16	EX8			
19									SEAL
	05133307AB	1	2, 6		01, 02, 06	EX8			
		1	2, 6		11, 12, 14, 15, 16	EX8			
		1	2, 6		51, 52, 54, 55, 56	EX8			
		1	3, 7		02, 06	EX8			
		1	3, 7		12, 15, 16	EX8			
20									PIPE, Heater Core
	05133301AA	1	2, 6		01, 02, 06				
		1	2, 6		11, 12, 14, 15, 16				
		1	2, 6		51, 52, 54, 55, 56				
		1	3, 7		02, 06				

SPRINTER (VA)

SERIES	LINE	BODY	ENGINE	TRANSMISSION
L = LOWLINE	3 = HD DODGE 2WD 8 = HD DODGE 4WD 6 = Lt. Duty DODGE 4WD 2 = Med. Duty DODGE 2WD 7 = Med. Duty DODGE 4WD 4 = TRUCK	01 = CHASSIS FORWARD CONTROL W.B.1 02 = CAB CHASSIS WHEEL BASE 2 06 = CAB CHASSIS WHEEL BASE 6 11 = VAN WHEEL BASE 1 12 = VAN WHEEL BASE 2 51 = WAGON WHEEL BASE 1 52 = WAGON WHEEL BASE 2 14 = VAN WHEEL BASE 4 15 = VAN WHEEL BASE 5 54 = WAGON WHEEL BASE 4 55 = WAGON WHEEL BASE 5 56 = WAGON WHEEL BASE 6 16 = VAN WHEEL BASE 6	EX8 = 2.7L I5 Turbo Diesel Engine EX9 = 2.7L I5 Mercedes-Benz TD Engine	DGJ = 5-Speed Automatic MB Transmission DGZ = 4-Spd. Automatic MT643 Transmission

AR = use ase required - = Non illustrated part

**Auxiliary Warm Water Heater
Figure 24-260**



ITEM	PART NUMBER	QTY	LINE	SERIES	BODY	ENGINE	TRANS	TRIM	DESCRIPTION
21		1	3, 7		12, 15, 16				SENSOR, Temperature
	05133312AA	1	2, 6		01, 02, 06	EX8			
		1	2, 6		11, 12, 14, 15, 16	EX8			
		1	2, 6		51, 52, 54, 55, 56	EX8			
		1	3, 7		02, 06	EX8			
		1	3, 7		12, 15, 16	EX8			
22		1	2, 6		01, 02, 06	EX8			SENSOR, Temperature
	05103691AA	1	2, 6		11, 12, 14, 15, 16	EX8			
		1	2, 6		51, 52, 54, 55, 56	EX8			
		1	3, 7		02, 06	EX8			
		1	3, 7		15, 16, 12	EX8			
23		1	2, 6		01, 02, 06				PLUG, Water Heater
	05133310AA	1	2, 6		11, 12, 14, 15, 16				
		1	2, 6		51, 52, 54, 55, 56				
		1	3, 7		02, 06				
		1	3, 7		12, 15, 16				
24		1	2, 6		01, 02, 06	EX8			COVER, Heater Housing
	05133306AA	1	2, 6		11, 12, 14, 15, 16	EX8			
		1	2, 6		51, 52, 54, 55, 56	EX8			
		1	3, 7		02, 06	EX8			

SPRINTER (VA)
SERIES
 L = LOWLINE

LINE
 3 = HD DODGE 2WD
 8 = HD DODGE 4WD
 6 = Lt. Duty DODGE 4WD
 2 = Med. Duty DODGE 2WD
 7 = Med. Duty DODGE 4WD
 4 = TRUCK

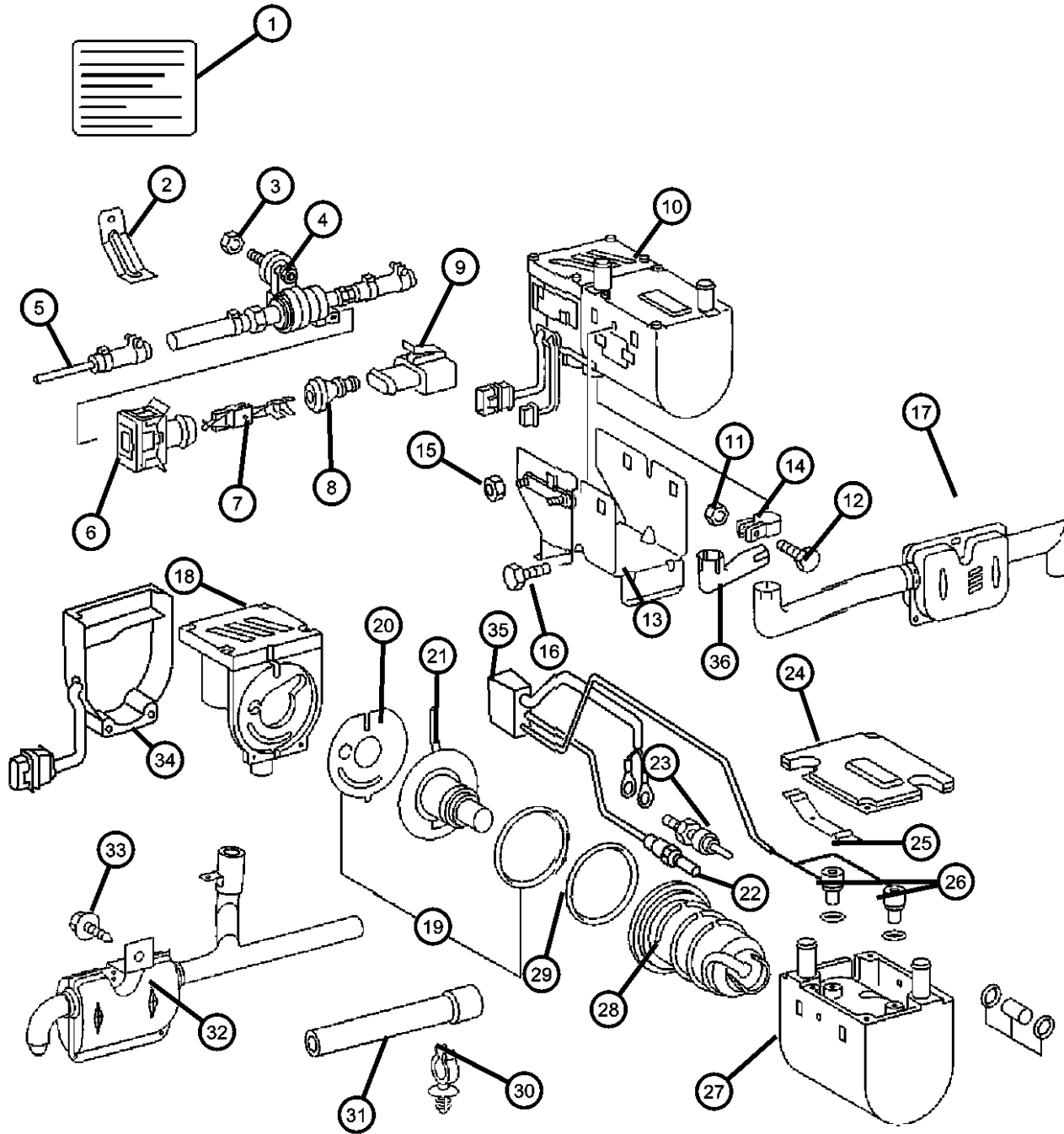
BODY
 01 = CHASSIS FORWARD CONTROL W.B.1
 02 = CAB CHASSIS WHEEL BASE 2
 06 = CAB CHASSIS WHEEL BASE 6
 11 = VAN WHEEL BASE 1
 12 = VAN WHEEL BASE 2
 51 = WAGON WHEEL BASE 1
 52 = WAGON WHEEL BASE 2
 14 = VAN WHEEL BASE 4
 15 = VAN WHEEL BASE 5
 54 = WAGON WHEEL BASE 4
 55 = WAGON WHEEL BASE 5
 56 = WAGON WHEEL BASE 6
 16 = VAN WHEEL BASE 6

ENGINE
 EX8 = 2.7L I5 Turbo Diesel Engine
 EX9 = 2.7L I5 Mercedes-Benz TD Engine

TRANSMISSION
 DGJ = 5-Speed Automatic MB Transmission
 DGZ = 4-Spd. Automatic MT643 Transmission

AR = use ase required - = Non illustrated part

**Auxiliary Warm Water Heater
Figure 24-260**

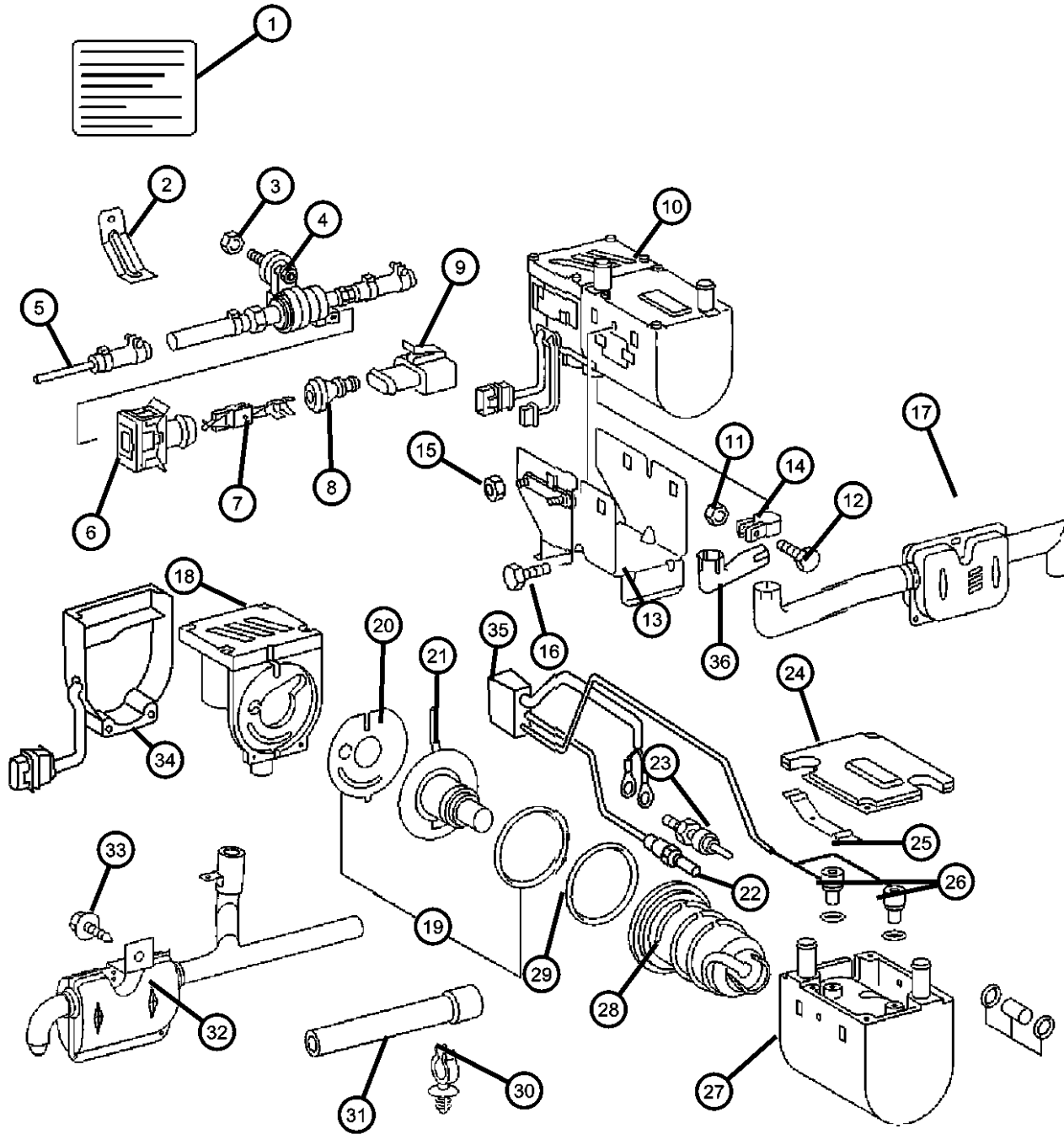


ITEM	PART NUMBER	QTY	LINE	SERIES	BODY	ENGINE	TRANS	TRIM	DESCRIPTION
25		1	3, 7		12, 15, 16	EX8			CLIP, Spring
	05097670AA	1	2, 6		01, 02, 06	EX8			
		1	2, 6		11, 12, 14, 15, 16	EX8			
		1	2, 6		51, 52, 54, 55, 56	EX8			
		1	3, 7		02, 06	EX8			
		1	3, 7		12, 15, 16	EX8			
26		2	2, 6		01, 02, 06	EX8			O RING
	05143176AA	2	2, 6		11, 12, 14, 15, 16	EX8			
		2	2, 6		51, 52, 54, 55, 56	EX8			
		2	3, 7		02, 06	EX8			
		2	3, 7		12, 15, 16	EX8			
27		1	2, 6		01, 02, 06	EX8			HOUSING, Heater
	05133298AA	1	2, 6		11, 12, 14, 15, 16	EX8			
		1	2, 6		51, 52, 54, 55, 56	EX8			
		1	3, 7		02, 06	EX8			
		1	3, 7		12, 15, 16	EX8			
28		1	2, 6		01, 02, 06				CORE, Water Heater
	05133303AA	1	2, 6		11, 12, 14, 15, 16				
		1	2, 6		51, 52, 54, 55, 56				
		1	3, 7		02, 06				
		1	3, 7		12, 15, 16				

SPRINTER (VA)							
SERIES	LINE	BODY	ENGINE	TRANSMISSION			
L = LOWLINE	3 = HD DODGE 2WD 8 = HD DODGE 4WD 6 = Lt. Duty DODGE 4WD 2 = Med. Duty DODGE 2WD 7 = Med. Duty DODGE 4WD 4 = TRUCK	01 = CHASSIS FORWARD CONTROL W.B.1 02 = CAB CHASSIS WHEEL BASE 2 06 = CAB CHASSIS WHEEL BASE 6 11 = VAN WHEEL BASE 1 12 = VAN WHEEL BASE 2 51 = WAGON WHEEL BASE 1 52 = WAGON WHEEL BASE 2 14 = VAN WHEEL BASE 4 15 = VAN WHEEL BASE 5 54 = WAGON WHEEL BASE 4 55 = WAGON WHEEL BASE 5 56 = WAGON WHEEL BASE 6 16 = VAN WHEEL BASE 6	EX8 = 2.7L I5 Turbo Diesel Engine EX9 = 2.7L I5 Mercedes-Benz TD Engine	DGJ = 5-Speed Automatic MB Transmission DGZ = 4-Spd. Automatic MT643 Transmission			

AR = use ase required - = Non illustrated part

**Auxiliary Warm Water Heater
Figure 24-260**



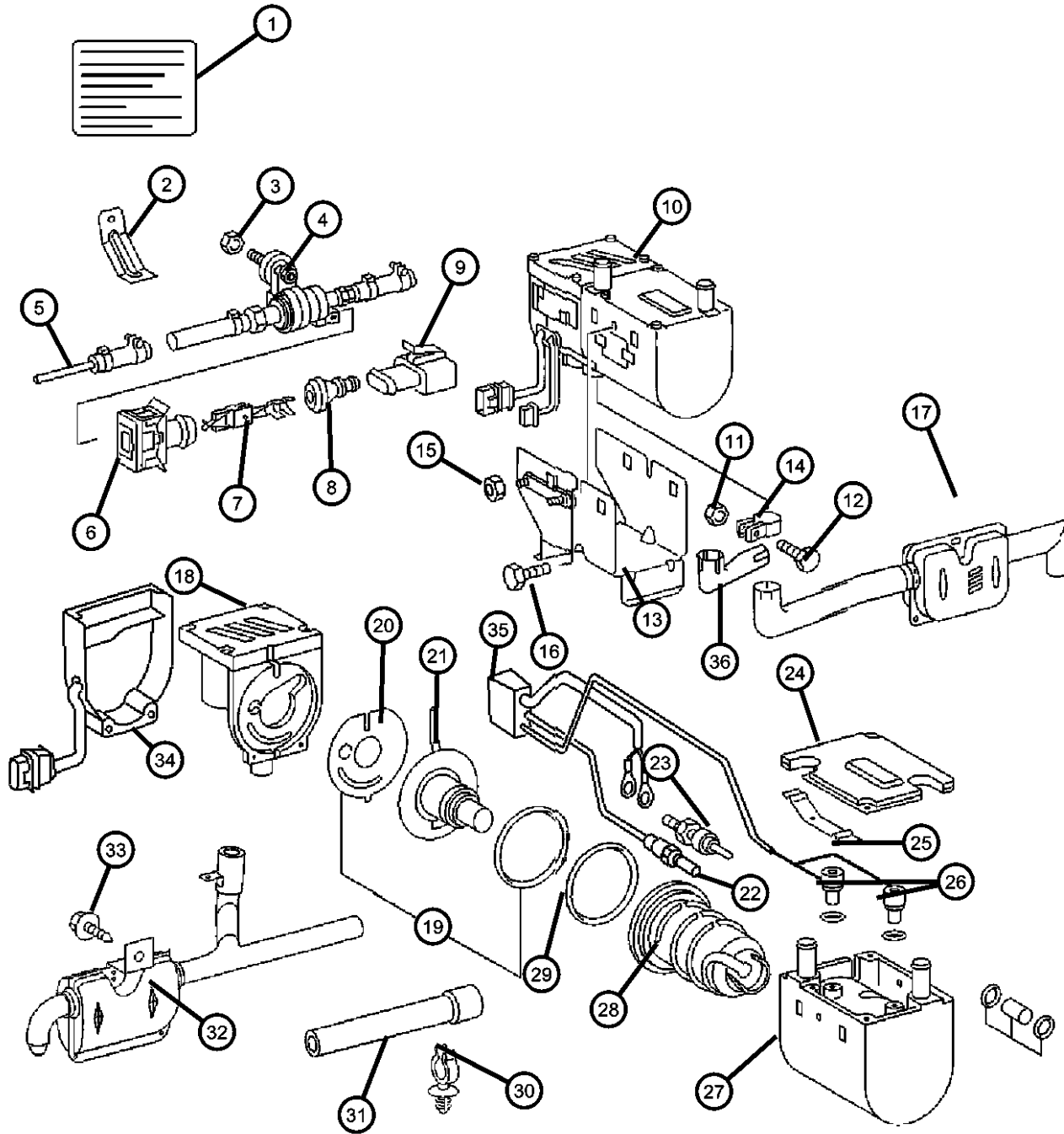
ITEM	PART NUMBER	QTY	LINE	SERIES	BODY	ENGINE	TRANS	TRIM	DESCRIPTION
29		1	3, 7		12, 15, 16				O RING, Heater Core
	05133309AA	1	2, 6		01, 02, 06				
		1	2, 6		11, 12, 14, 15, 16				
		1	2, 6		51, 52, 54, 55, 56				
		1	3, 7		02, 06				
		1	3, 7		12, 15, 16				
30									CLIP, Hose
	05119332AA	3	2, 6		01, 02, 06	EX8			
		3	2, 6		11, 12, 14, 15, 16	EX8			
		3	2, 6		51, 52, 54, 55, 56	EX8			
		3	3, 7		02, 06	EX8			
		3	3, 7		12, 15, 16	EX8			
31									PIPE, Air Intake
	05124674AA	1	2, 6		01, 02, 06	EX8			
		1	2, 6		11, 12, 14, 15, 16	EX8			
		1	2, 6		51, 52, 54, 55, 56	EX8			
		1	3, 7		02, 06	EX8			
		1	3, 7		12, 15, 16	EX8			
32									MUFFLER, Exhaust
	05103848AA	1	2, 6		01, 02, 06	EX8			
		1	2, 6		11, 12, 14, 15, 16	EX8			
		1	2, 6		51, 52, 54, 55, 56	EX8			
		1	3, 7		02, 06	EX8			

SPRINTER (VA)

SERIES	LINE	BODY	ENGINE	TRANSMISSION
L = LOWLINE	3 = HD DODGE 2WD 8 = HD DODGE 4WD 6 = Lt. Duty DODGE 4WD 2 = Med. Duty DODGE 2WD 7 = Med. Duty DODGE 4WD 4 = TRUCK	01 = CHASSIS FORWARD CONTROL W.B.1 02 = CAB CHASSIS WHEEL BASE 2 06 = CAB CHASSIS WHEEL BASE 6 11 = VAN WHEEL BASE 1 12 = VAN WHEEL BASE 2 51 = WAGON WHEEL BASE 1 52 = WAGON WHEEL BASE 2 14 = VAN WHEEL BASE 4 15 = VAN WHEEL BASE 5 54 = WAGON WHEEL BASE 4 55 = WAGON WHEEL BASE 5 56 = WAGON WHEEL BASE 6 16 = VAN WHEEL BASE 6	EX8 = 2.7L I5 Turbo Diesel Engine EX9 = 2.7L I5 Mercedes-Benz TD Engine	DGJ = 5-Speed Automatic MB Transmission DGZ = 4-Spd. Automatic MT643 Transmission

AR = use ase required - = Non illustrated part

**Auxiliary Warm Water Heater
Figure 24-260**



ITEM	PART NUMBER	QTY	LINE	SERIES	BODY	ENGINE	TRANS	TRIM	DESCRIPTION
33		1	3, 7		15, 16, 12	EX8			SCREW, Tapping
	06104580AA	1	2, 6		01, 02, 06	EX8			
		1	2, 6		11, 12, 14, 15, 16	EX8			
		1	2, 6		51, 52, 54, 55, 56	EX8			
		1	3, 7		02, 06	EX8			
		1	3, 7		12, 15, 16	EX8			
34									CONTROL UNIT, Air Condiitiing
	05103648AA	1	2, 6		01, 02, 06	EX8			
		1	2, 6		11, 12, 14, 15, 16	EX8			
		1	2, 6		51, 52, 54, 55, 56	EX8			
		1	3, 7		02, 06	EX8			
		1	3, 7		12, 15, 16	EX8			
35									MODULE, Heater Control
	05133305AA	1	2, 6		01, 02, 06	EX8			
		1	2, 6		11, 12, 14, 15, 16	EX8			
		1	2, 6		51, 52, 54, 55, 56	EX8			
		1	3, 7		02, 06	EX8			
		1	3, 7		12, 15, 16	EX8			
36									TUBE, Heater Core
	05133318AA	1	2, 6		01, 02, 06	EX8			
		1	2, 6		11, 12, 14, 15, 16	EX8			
		1	2, 6		51, 52, 54, 55, 56	EX8			

SPRINTER (VA)
SERIES
 L = LOWLINE

LINE
 3 = HD DODGE 2WD
 8 = HD DODGE 4WD
 6 = Lt. Duty DODGE 4WD
 2 = Med. Duty DODGE 2WD
 7 = Med. Duty DODGE 4WD
 4 = TRUCK

BODY
 01 = CHASSIS FORWARD CONTROL W.B.1
 02 = CAB CHASSIS WHEEL BASE 2
 06 = CAB CHASSIS WHEEL BASE 6
 11 = VAN WHEEL BASE 1
 12 = VAN WHEEL BASE 2
 51 = WAGON WHEEL BASE 1
 52 = WAGON WHEEL BASE 2
 14 = VAN WHEEL BASE 4
 15 = VAN WHEEL BASE 5
 54 = WAGON WHEEL BASE 4
 55 = WAGON WHEEL BASE 5
 56 = WAGON WHEEL BASE 6
 16 = VAN WHEEL BASE 6

ENGINE
 EX8 = 2.7L I5 Turbo Diesel Engine
 EX9 = 2.7L I5 Mercedes-Benz TD Engine

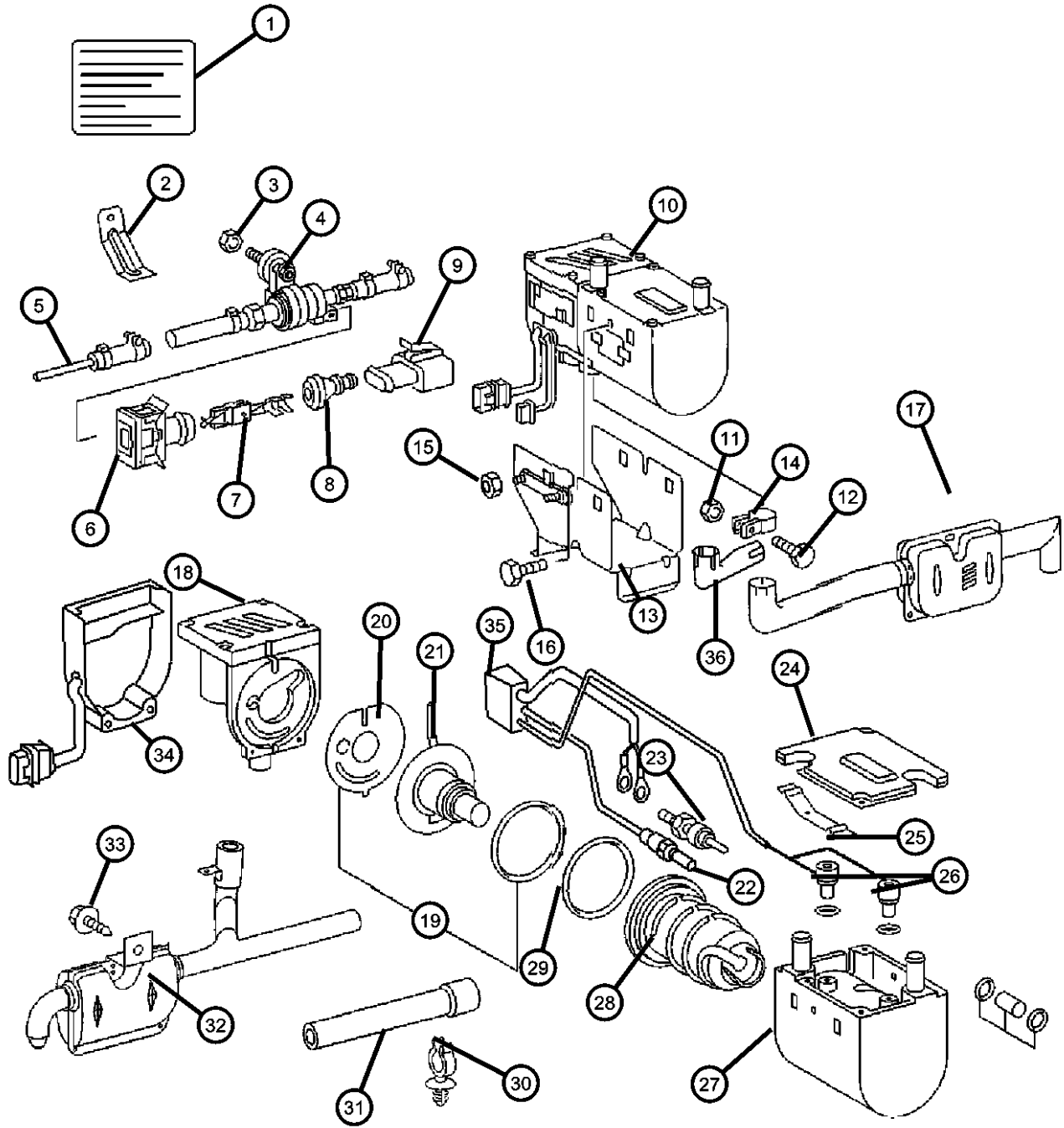
TRANSMISSION
 DGJ = 5-Speed Automatic MB Transmission
 DGZ = 4-Spd. Automatic MT643 Transmission

AR = use ase required - = Non illustrated part

**Auxiliary Warm Water Heater
Figure 24-260**

ITEM	PART NUMBER	QTY	LINE	SERIES	BODY	ENGINE	TRANS	TRIM	DESCRIPTION
------	-------------	-----	------	--------	------	--------	-------	------	-------------

1			3, 7		02, 06	EX8			
1			3, 7		12, 15, 16	EX8			

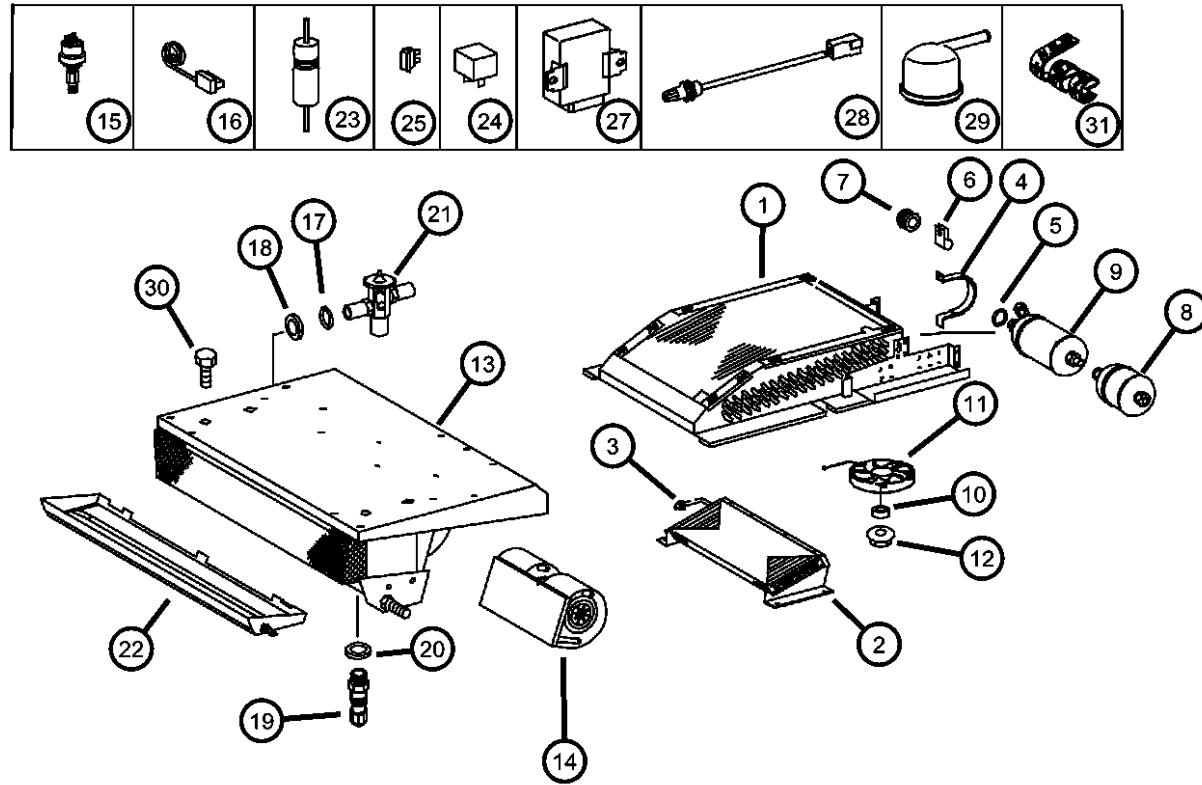


SPRINTER (VA)

SERIES	LINE	BODY	ENGINE	TRANSMISSION
L = LOWLINE	3 = HD DODGE 2WD 8 = HD DODGE 4WD 6 = Lt. Duty DODGE 4WD 2 = Med. Duty DODGE 2WD 7 = Med. Duty DODGE 4WD 4 = TRUCK	01 = CHASSIS FORWARD CONTROL W.B.1 02 = CAB CHASSIS WHEEL BASE 2 06 = CAB CHASSIS WHEEL BASE 6 11 = VAN WHEEL BASE 1 12 = VAN WHEEL BASE 2 51 = WAGON WHEEL BASE 1 52 = WAGON WHEEL BASE 2 14 = VAN WHEEL BASE 4 15 = VAN WHEEL BASE 5 54 = WAGON WHEEL BASE 4 55 = WAGON WHEEL BASE 5 56 = WAGON WHEEL BASE 6 16 = VAN WHEEL BASE 6	EX8 = 2.7L I5 Turbo Diesel Engine EX9 = 2.7L I5 Mercedes-Benz TD Engine	DGJ = 5-Speed Automatic MB Transmission DGZ = 4-Spd. Automatic MT643 Transmission

AR = use ase required - = Non illustrated part

**Auxiliary Air Conditioner
Figure 24-270**



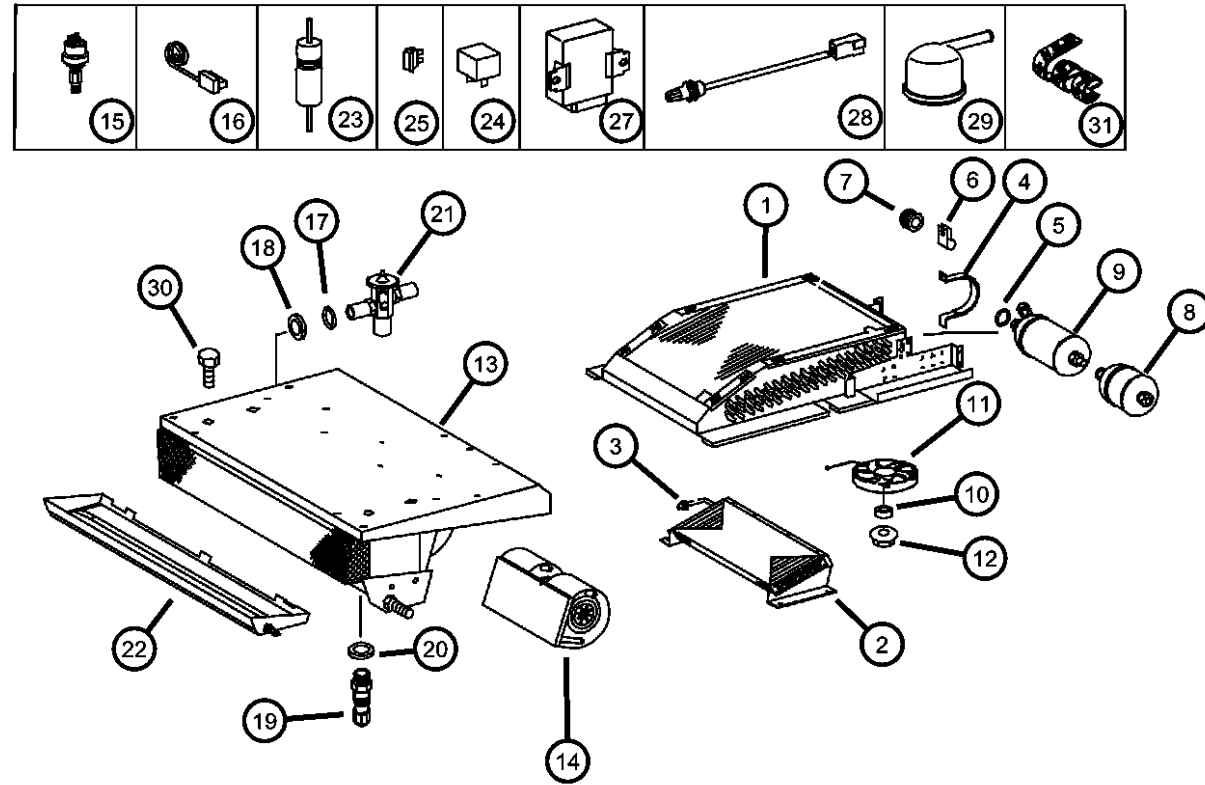
ITEM	PART NUMBER	QTY	LINE	SERIES	BODY	ENGINE	TRANS	TRIM	DESCRIPTION
1	05132357AA	1	2, 6		11, 12, 14, 15, 16	EX8			CONDENSER, A/C With Sales Code [HBD]
		1	2, 6		51, 52, 54, 55, 56	EX8			With Sales Code [HBD]
2	05138885AA	1	2, 6		11, 12, 14, 15, 16	EX8			EVAPORATOR, Air Conditioning With Sales Code [HBD]
		1	2, 6		51, 52, 54, 55, 56	EX8			With Sales Code [HBD]
3	05138886AA	1	2, 6		11, 12, 14, 15, 16	EX8			LINE, A/C With Sales Code [HBD]
		1	2, 6		51, 52, 54, 55, 56	EX8			With Sales Code [HBD]
4	05138887AA	2	2, 6		11, 12, 14, 15, 16	EX8			CLAMP With Sales Code [HBD]
		2	2, 6		51, 52, 54, 55, 56	EX8			With Sales Code [HBD]
5	05133579AA	2	2, 6		11, 12, 14, 15, 16	EX8			O RING With Sales Code [HBD]
		2	2, 6		51, 52, 54, 55, 56	EX8			With Sales Code [HBD]
6	05138888AA	3	2, 6		11, 12, 14, 15, 16	EX8			CLAMP, Hose With Sales Code [HBD]
		3	2, 6		51, 52, 54, 55, 56	EX8			With Sales Code [HBD]
7	05138889AA	1	2, 6		11, 12, 14, 15, 16	EX8			GROMMET With Sales Code [HBD]
		1	2, 6		51, 52, 54, 55, 56	EX8			With Sales Code [HBD]
8									RECEIVER DRIER

SPRINTER (VA)

SERIES	LINE	BODY	ENGINE	TRANSMISSION
L = LOWLINE	3 = HD DODGE 2WD 8 = HD DODGE 4WD 6 = Lt. Duty DODGE 4WD 2 = Med. Duty DODGE 2WD 7 = Med. Duty DODGE 4WD 4 = TRUCK	01 = CHASSIS FORWARD CONTROL W.B.1 02 = CAB CHASSIS WHEEL BASE 2 06 = CAB CHASSIS WHEEL BASE 6 11 = VAN WHEEL BASE 1 12 = VAN WHEEL BASE 2 51 = WAGON WHEEL BASE 1 52 = WAGON WHEEL BASE 2 14 = VAN WHEEL BASE 4 15 = VAN WHEEL BASE 5 54 = WAGON WHEEL BASE 4 55 = WAGON WHEEL BASE 5 56 = WAGON WHEEL BASE 6 16 = VAN WHEEL BASE 6	EX8 = 2.7L I5 Turbo Diesel Engine EX9 = 2.7L I5 Mercedes-Benz TD Engine	DGJ = 5-Speed Automatic MB Transmission DGZ = 4-Spd. Automatic MT643 Transmission

AR = use ase required - = Non illustrated part

**Auxiliary Air Conditioner
Figure 24-270**



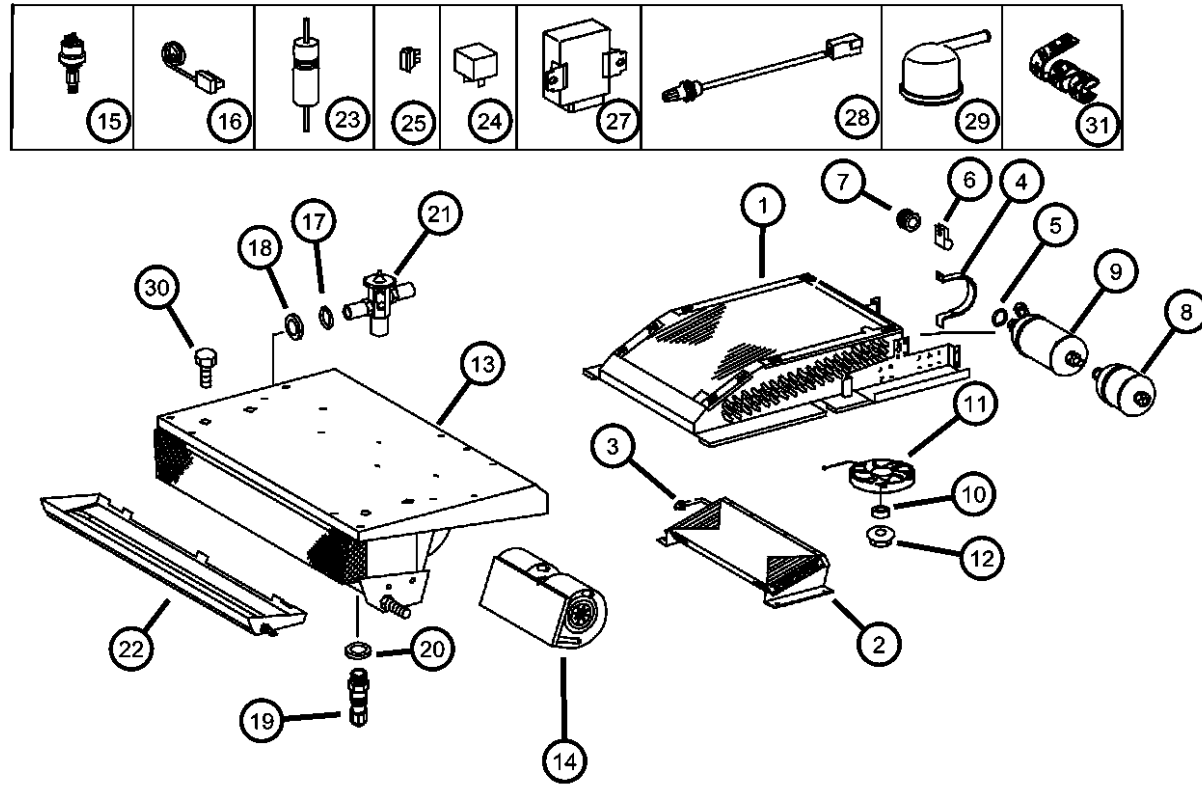
ITEM	PART NUMBER	QTY	LINE	SERIES	BODY	ENGINE	TRANS	TRIM	DESCRIPTION
	05138890AA	1	2, 6		11, 12, 14, 15, 16	EX8			With Sales Code [HBD]
		1	2, 6		51, 52, 54, 55, 56	EX8			With Sales Code [HBD]
9	05138891AA	1	2, 6		11, 12, 14, 15, 16	EX8			ACCUMULATOR, Air Conditioning With Sales Code [HBD]
		1	2, 6		51, 52, 54, 55, 56	EX8			With Sales Code [HBD]
10	05138892AA	4	2, 6		52, 55, 56	EX8			SPACER, With Sales Code [HBD]
11	05138893AA	1	2, 6		11, 12, 14, 15, 16	EX8			FAN, Condenser With Sales Code [HBD]
		1	2, 6		51, 52, 54, 55, 56	EX8			With Sales Code [HBD]
12	06104716AA	8	2, 6		11, 12, 14, 15, 16	EX8			NUT Condenser Mounting
		8	2, 6		51, 52, 54, 55, 56	EX8			Condenser Mounting
13	05132322AA	1	2, 6		11, 12, 14, 15, 16	EX8			EVAPORATOR UNIT, EVAPORATOR UNIT Complete A/C Condensor & Evaporator Unit
		1	2, 6		51, 52, 54, 55, 56	EX8			Complete A/C Condensor & Evaporator Unit
14	05138894AA	2	2, 6		11, 12, 14, 15, 16	EX8			BLOWER With Sales Code [HBD]
		2	2, 6		51, 52, 54, 55, 56	EX8			With Sales Code [HBD]
15	05133578AA	1	2, 6		11, 12, 14, 15, 16	EX8			SWITCH, A/C and Heater Control With Sales Code [HBD], Pressure
		1	2, 6		51, 52, 54, 55, 56	EX8			With Sales Code [HBD], Pressure

SPRINTER (VA)

SERIES	LINE	BODY	ENGINE	TRANSMISSION
L = LOWLINE	3 = HD DODGE 2WD 8 = HD DODGE 4WD 6 = Lt. Duty DODGE 4WD 2 = Med. Duty DODGE 2WD 7 = Med. Duty DODGE 4WD 4 = TRUCK	01 = CHASSIS FORWARD CONTROL W.B.1 02 = CAB CHASSIS WHEEL BASE 2 06 = CAB CHASSIS WHEEL BASE 6 11 = VAN WHEEL BASE 1 12 = VAN WHEEL BASE 2 51 = WAGON WHEEL BASE 1 52 = WAGON WHEEL BASE 2 14 = VAN WHEEL BASE 4 15 = VAN WHEEL BASE 5 54 = WAGON WHEEL BASE 4 55 = WAGON WHEEL BASE 5 56 = WAGON WHEEL BASE 6 16 = VAN WHEEL BASE 6	EX8 = 2.7L I5 Turbo Diesel Engine EX9 = 2.7L I5 Mercedes-Benz TD Engine	DGJ = 5-Speed Automatic MB Transmission DGZ = 4-Spd. Automatic MT643 Transmission

AR = use ase required - = Non illustrated part

**Auxiliary Air Conditioner
Figure 24-270**



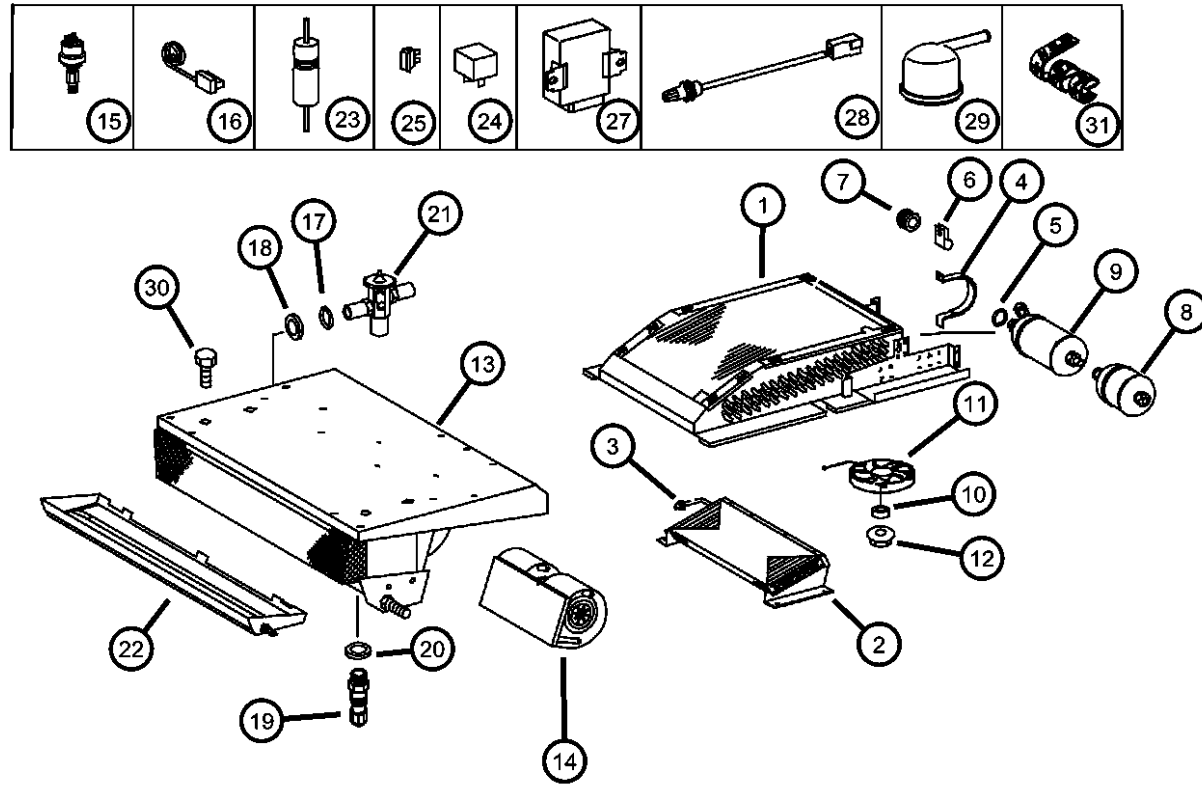
ITEM	PART NUMBER	QTY	LINE	SERIES	BODY	ENGINE	TRANS	TRIM	DESCRIPTION
16	05138895AA	1	2, 6		11, 12, 14, 15, 16	EX8			THERMOSTAT, Air Conditioning With Sales Code [HBD]
		1	2, 6		51, 52, 54, 55, 56	EX8			With Sales Code [HBD]
17	05138896AA	1	2, 6		11, 12, 14, 15, 16	EX8			O RING, A/C Line With Sales Code [HBD]
		1	2, 6		51, 52, 54, 55, 56	EX8			With Sales Code [HBD]
18	05133579AA	1	2, 6		11, 12, 14, 15, 16	EX8			O RING With Sales Code [HBD]
		1	2, 6		51, 52, 54, 55, 56	EX8			With Sales Code [HBD]
19	05138897AA	1	2, 6		52, 55, 56	EX8			VALVE With Sales Code [HBD]
		1	2, 6		11, 12, 14, 15, 16	EX8			With Sales Code [HBD]
20	05138898AA	2	2, 6		11, 12, 14, 15, 16	EX8			O RING With Sales Code [HBD]
		2	2, 6		51, 52, 54, 55, 56	EX8			With Sales Code [HBD]
21	05138899AA	1	2, 6		52, 55, 56	EX8			VALVE, A/C Expansion, With Sales Code [HBD]
22	05138900AA	1	2, 6		11, 12, 14, 15, 16	EX8			DRAIN CUP, Topwell With Sales Code [HBD]
		1	2, 6		51, 52, 54, 55, 56	EX8			With Sales Code [HBD]
23	05138901AA	2	2, 6		11, 12, 14, 15, 16	EX8			DIODE With Sales Code [HBD]

SPRINTER (VA)

SERIES	LINE	BODY	ENGINE	TRANSMISSION
L = LOWLINE	3 = HD DODGE 2WD 8 = HD DODGE 4WD 6 = Lt. Duty DODGE 4WD 2 = Med. Duty DODGE 2WD 7 = Med. Duty DODGE 4WD 4 = TRUCK	01 = CHASSIS FORWARD CONTROL W.B.1 02 = CAB CHASSIS WHEEL BASE 2 06 = CAB CHASSIS WHEEL BASE 6 11 = VAN WHEEL BASE 1 12 = VAN WHEEL BASE 2 51 = WAGON WHEEL BASE 1 52 = WAGON WHEEL BASE 2 14 = VAN WHEEL BASE 4 15 = VAN WHEEL BASE 5 54 = WAGON WHEEL BASE 4 55 = WAGON WHEEL BASE 5 56 = WAGON WHEEL BASE 6 16 = VAN WHEEL BASE 6	EX8 = 2.7L I5 Turbo Diesel Engine EX9 = 2.7L I5 Mercedes-Benz TD Engine	DGJ = 5-Speed Automatic MB Transmission DGZ = 4-Spd. Automatic MT643 Transmission

AR = use ase required - = Non illustrated part

**Auxiliary Air Conditioner
Figure 24-270**



ITEM	PART NUMBER	QTY	LINE	SERIES	BODY	ENGINE	TRANS	TRIM	DESCRIPTION
		2	2, 6		51, 52, 54, 55, 56	EX8			With Sales Code [HBD]
24	05138902AA	5	2, 6		11, 12, 14, 15, 16	EX8			RELAY With Sales Code [HBD]
		5	2, 6		51, 52, 54, 55, 56	EX8			With Sales Code [HBD]
25	05138903AA	1	2, 6		11, 12, 14, 15, 16	EX8			FUSE, Standard, 7.5 AMP, Brown With Sales Code [HBD]
		1	2, 6		51, 52, 54, 55, 56	EX8			With Sales Code [HBD]
-26	05138904AA	3	2, 6		11, 12, 14, 15, 16	EX8			FUSE With Sales Code [HBD]
		3	2, 6		51, 52, 54, 55, 56	EX8			With Sales Code [HBD]
27	05138905AA	1	2, 6		11, 12, 14, 15, 16	EX8			MODULE, ATC Blower Control With Sales Code [HBD]
		1	2, 6		51, 52, 54, 55, 56	EX8			With Sales Code [HBD]
28	05138906AA	1	2, 6		11, 12, 14, 15, 16	EX8			SENSOR, Air Charge Temperature With Sales Code [HBD]
		1	2, 6		51, 52, 54, 55, 56	EX8			With Sales Code [HBD]
29	05138907AA	1	2, 6		11, 12, 14, 15, 16	EX8			COVER, A/C Housing Top With Sales Code [HBD]
		1	2, 6		51, 52, 54, 55, 56	EX8			With Sales Code [HBD]
30	06104025AA	4	2, 6		11, 12, 14, 15, 16	EX8			SCREW With Sales Code [HBD]

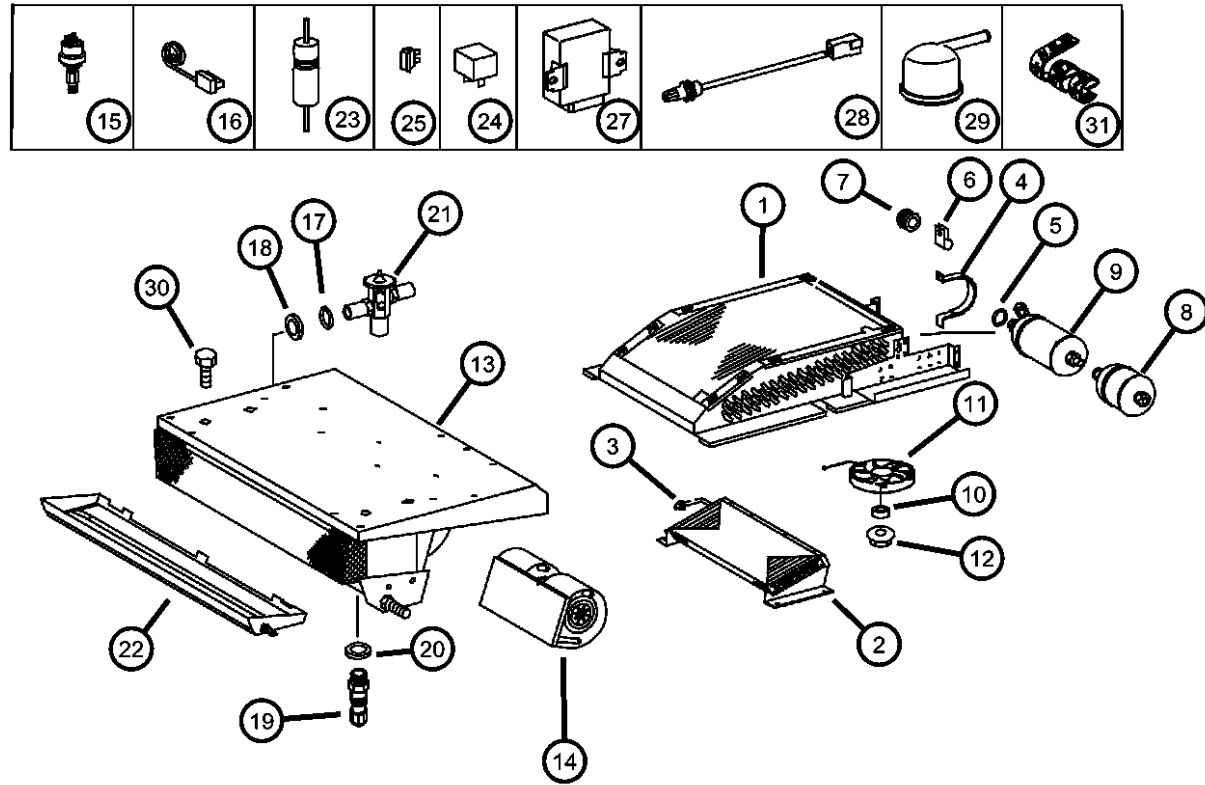
SPRINTER (VA)

SERIES	LINE	BODY	ENGINE	TRANSMISSION
L = LOWLINE	3 = HD DODGE 2WD 8 = HD DODGE 4WD 6 = Lt. Duty DODGE 4WD 2 = Med. Duty DODGE 2WD 7 = Med. Duty DODGE 4WD 4 = TRUCK	01 = CHASSIS FORWARD CONTROL W.B.1 02 = CAB CHASSIS WHEEL BASE 2 06 = CAB CHASSIS WHEEL BASE 6 11 = VAN WHEEL BASE 1 12 = VAN WHEEL BASE 2 51 = WAGON WHEEL BASE 1 52 = WAGON WHEEL BASE 2 14 = VAN WHEEL BASE 4 15 = VAN WHEEL BASE 5 54 = WAGON WHEEL BASE 4 55 = WAGON WHEEL BASE 5 56 = WAGON WHEEL BASE 6 16 = VAN WHEEL BASE 6	EX8 = 2.7L I5 Turbo Diesel Engine EX9 = 2.7L I5 Mercedes-Benz TD Engine	DGJ = 5-Speed Automatic MB Transmission DGZ = 4-Spd. Automatic MT643 Transmission

AR = use ase required - = Non illustrated part

**Auxiliary Air Conditioner
Figure 24-270**

ITEM	PART NUMBER	QTY	LINE	SERIES	BODY	ENGINE	TRANS	TRIM	DESCRIPTION
		4	2, 6		51, 52, 54, 55, 56	EX8			With Sales Code [HBD]
31									ISOLATOR
	05132378AA	1	2, 6		11, 12, 14, 15, 16	EX8			Evaporator Mounting / With Sales Code [HBD]
		1	2, 6		51, 52, 54, 55, 56	EX8			Evaporator Mounting / With Sales Code [HBD]



SPRINTER (VA)

SERIES

L = LOWLINE

LINE

3 = HD DODGE 2WD
8 = HD DODGE 4WD
6 = Lt. Duty DODGE 4WD
2 = Med. Duty DODGE 2WD
7 = Med. Duty DODGE 4WD
4 = TRUCK

BODY

01 = CHASSIS FORWARD
CONTROL W.B.1
02 = CAB CHASSIS WHEEL
BASE 2
06 = CAB CHASSIS WHEEL
BASE 6
11 = VAN WHEEL BASE 1
12 = VAN WHEEL BASE 2
51 = WAGON WHEEL BASE 1
52 = WAGON WHEEL BASE 2
14 = VAN WHEEL BASE 4
15 = VAN WHEEL BASE 5
54 = WAGON WHEEL BASE 4
55 = WAGON WHEEL BASE 5
56 = WAGON WHEEL BASE 6
16 = VAN WHEEL BASE 6

ENGINE

EX8 = 2.7L I5 Turbo Diesel
Engine
EX9 = 2.7L I5 Mercedes-Benz
TD Engine

TRANSMISSION

DGJ = 5-Speed Automatic MB
Transmission
DGZ = 4-Spd. Automatic MT643
Transmission

AR = use ase required - = Non illustrated part

2006 VA

**Auxiliary Air Conditioning Ventilation
Figure 24-280**

ITEM	PART NUMBER	QTY	LINE	SERIES	BODY	ENGINE	TRANS	TRIM	DESCRIPTION
------	-------------	-----	------	--------	------	--------	-------	------	-------------

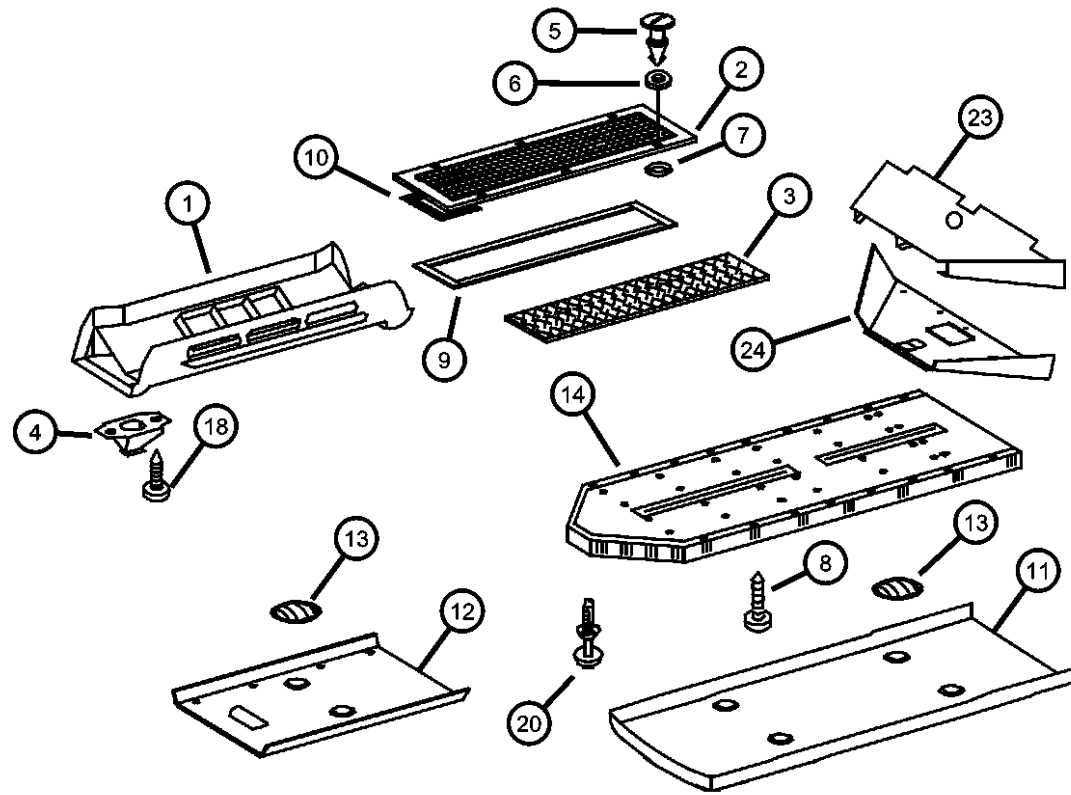
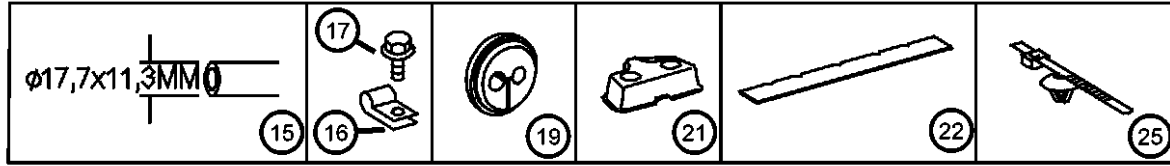
NOTE:

Sales Codes:

[HBD]=Rear Heavy Duty Air Conditioner

[MWJ]=High Roof

[EX8]=2.7L Inline 5 Cyl. Turbo Diesel Engine - [Mercedes Benz]



1	05132323AA	1	2, 6		14, 15, 16	EX8			DUCT, Fresh Air Intake With [MWJ + HBD]
		1	2, 6		54, 55, 56	EX8			With [MWJ + HBD]
	05132325AA	1	2, 6		11, 12	EX8			With [HBD]
		1	2, 6		51, 52	EX8			With [HBD]
2	05138908AA	1	2, 6		12, 15	EX8			GRILLE, Air Inlet With [HBD]
		1	2, 6		14, 15, 16	EX8			With [MWJ + HBD]
		1	2, 6		52, 55	EX8			With [HBD]
		1	2, 6		54, 55, 56	EX8			With [MWJ + HBD]
3	05103546AA	1	2, 6		12, 15	EX8			FILTER, A/C and Heater Unit With [HBD] With [540mm/21,25]
		1	2, 6		14, 15, 16	EX8			With [MWJ + HBD] [540mm/21,25]
		1	2, 6		52, 55	EX8			With [HBD] [540mm/21,25]
		1	2, 6		54, 55, 56	EX8			With [MWJ + HBD] [540mm/21,25]
	68029091AA	1	2, 3, 6, 7			EX8			With [HBD] [940mm/37]
4	05133453AA	8	2, 6		12, 15	EX8			SPRING With [HBD]
		8	2, 6		14, 15, 16	EX8			With [MWJ + HBD]
		8	2, 6		52, 55	EX8			With [HBD]
		8	2, 6		54, 55, 56	EX8			With [MWJ + HBD]
5	05133454AA	8	2, 6		12, 15	EX8			FASTENER [29.5 MM] With HBD]

SPRINTER (VA)

SERIES

L = LOWLINE

LINE

3 = HD DODGE 2WD
8 = HD DODGE 4WD
6 = Lt. Duty DODGE 4WD
2 = Med. Duty DODGE 2WD
7 = Med. Duty DODGE 4WD
4 = TRUCK

BODY

01 = CHASSIS FORWARD CONTROL W.B.1
02 = CAB CHASSIS WHEEL BASE 2
06 = CAB CHASSIS WHEEL BASE 6
11 = VAN WHEEL BASE 1
12 = VAN WHEEL BASE 2
51 = WAGON WHEEL BASE 1
52 = WAGON WHEEL BASE 2
14 = VAN WHEEL BASE 4
15 = VAN WHEEL BASE 5
54 = WAGON WHEEL BASE 4
55 = WAGON WHEEL BASE 5
56 = WAGON WHEEL BASE 6
16 = VAN WHEEL BASE 6

ENGINE

EX8 = 2.7L I5 Turbo Diesel Engine
EX9 = 2.7L I5 Mercedes-Benz TD Engine

TRANSMISSION

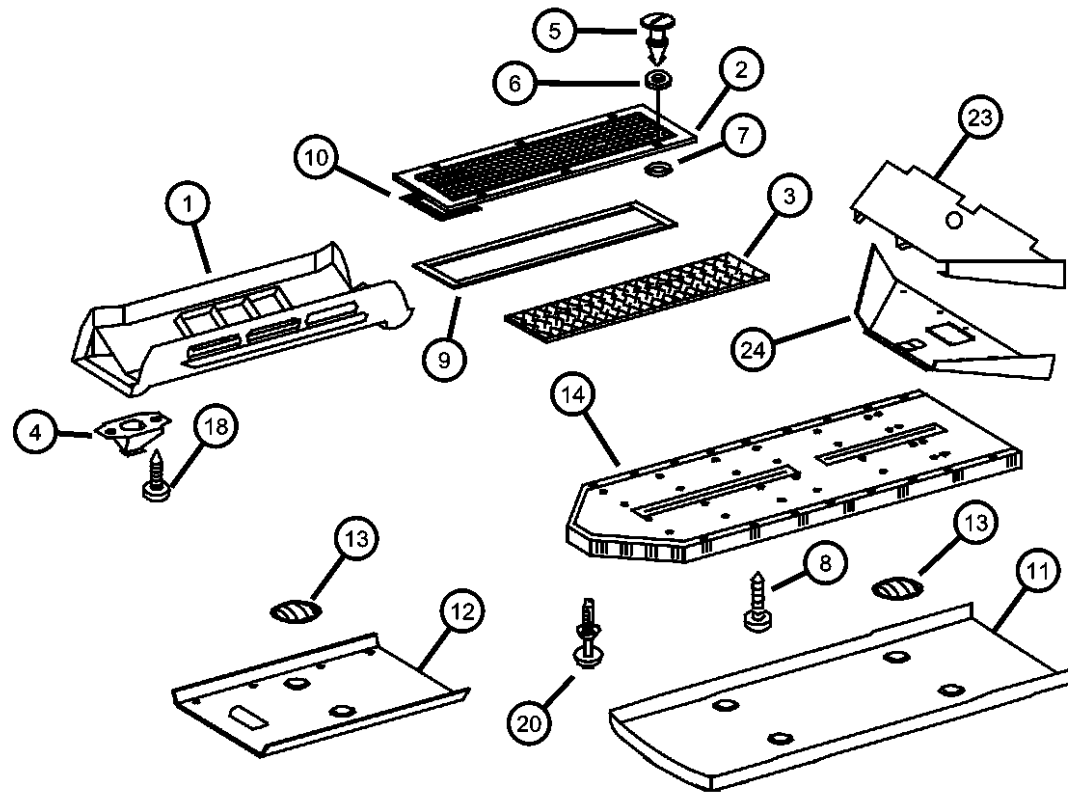
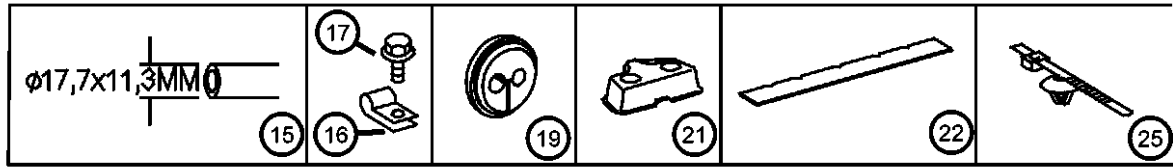
DGJ = 5-Speed Automatic MB Transmission
DGZ = 4-Spd. Automatic MT643 Transmission

AR = use ase required - = Non illustrated part

2006 VA

**Auxiliary Air Conditioning Ventilation
Figure 24-280**

ITEM	PART NUMBER	QTY	LINE	SERIES	BODY	ENGINE	TRANS	TRIM	DESCRIPTION
		8	2, 6		14, 15, 16	EX8			[29.5 MM] With [MWJ + HBD]
		8	2, 6		52, 55	EX8			[29.5 MM] With HBD]
		8	2, 6		54, 55, 56	EX8			[29.5 MM] With [MWJ + HBD]
6	05133455AA	8	2, 6		12, 15	EX8			WASHER With [HBD]
		8	2, 6		14, 15, 16	EX8			With [MWJ + HBD]
		8	2, 6		52, 55	EX8			With [HBD]
		8	2, 6		54, 55, 56	EX8			With [MWJ + HBD]
7	05133456AA	8	2, 6		12, 15	EX8			RING With [HBD]
		8	2, 6		14, 15, 16	EX8			With [MWJ + HBD]
		8	2, 6		52, 55	EX8			With [HBD]
		8	2, 6		54, 55, 56	EX8			With [MWJ + HBD]
8	05133449AA	20	2, 6		11, 12, 14, 15, 16	EX8			SCREW, Self-Tapping [B4 - 8x25MM]
		20	2, 6		51, 52, 54, 55, 56	EX8			[B4 - 8x25MM]
9	05133457AA	100	2, 6		12, 15	EX8			VELCRO PLATE, Trim Panel With [HBD]
		100	2, 6		14, 15, 16	EX8			With [MWJ + HBD]
		100	2, 6		52, 55	EX8			With [HBD]
		100	2, 6		54, 55, 56	EX8			With [MWJ + HBD]
10	05133458AA	AR	2, 6		54, 55, 56	EX8			SEAL With [MWJ + HBD]
		AR	2, 6		52, 55	EX8			With [HBD]
		AR	2, 6		14, 15, 16	EX8			With [MWJ + HBD]
		AR	2, 6		12, 15	EX8			With [HBD]

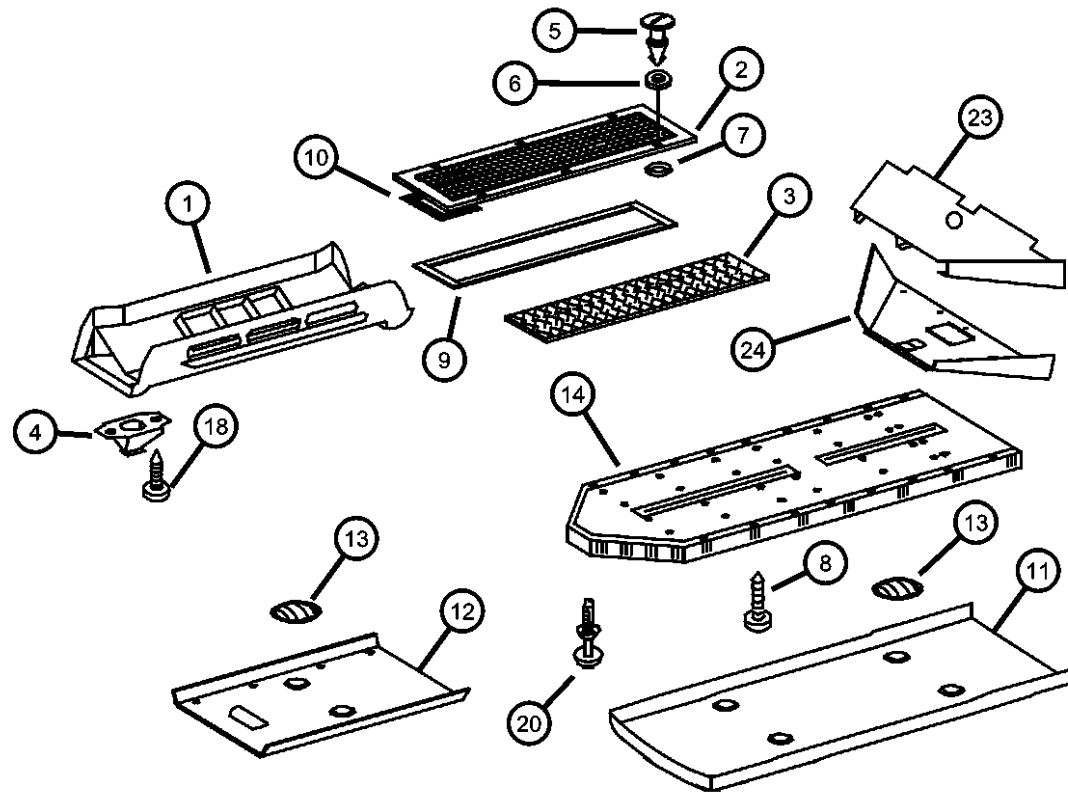
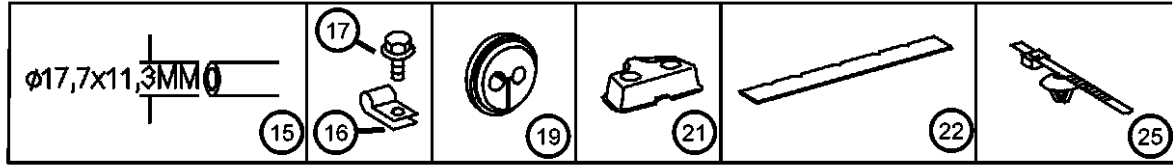


SPRINTER (VA)

SERIES	LINE	BODY	ENGINE	TRANSMISSION
L = LOWLINE	3 = HD DODGE 2WD 8 = HD DODGE 4WD 6 = Lt. Duty DODGE 4WD 2 = Med. Duty DODGE 2WD 7 = Med. Duty DODGE 4WD 4 = TRUCK	01 = CHASSIS FORWARD CONTROL W.B.1 02 = CAB CHASSIS WHEEL BASE 2 06 = CAB CHASSIS WHEEL BASE 6 11 = VAN WHEEL BASE 1 12 = VAN WHEEL BASE 2 51 = WAGON WHEEL BASE 1 52 = WAGON WHEEL BASE 2 14 = VAN WHEEL BASE 4 15 = VAN WHEEL BASE 5 54 = WAGON WHEEL BASE 4 55 = WAGON WHEEL BASE 5 56 = WAGON WHEEL BASE 6 16 = VAN WHEEL BASE 6	EX8 = 2.7L I5 Turbo Diesel Engine EX9 = 2.7L I5 Mercedes-Benz TD Engine	DGJ = 5-Speed Automatic MB Transmission DGZ = 4-Spd. Automatic MT643 Transmission

AR = use ase required - = Non illustrated part

**Auxiliary Air Conditioning Ventilation
Figure 24-280**



ITEM	PART NUMBER	QTY	LINE	SERIES	BODY	ENGINE	TRANS	TRIM	DESCRIPTION
11	05132293AA	1	2, 6		11, 12, 14, 15, 16	EX8			AIR DUCT Front
		1	2, 6		51, 52, 54, 55, 56	EX8			Front
12	05132294AA	1	2, 6		11, 12, 14, 15, 16	EX8			AIR DUCT Rear
		1	2, 6		51, 52, 54, 55, 56	EX8			Rear
13	05138909AA	4	2, 6		11, 12, 14, 15, 16	EX8			DUCT, Air Outlet Front and Rear
		4	2, 6		51, 52, 54, 55, 56	EX8			Front and Rear
14	05132295AA	1	2, 6		11, 12, 14, 15, 16	EX8			AIR DUCT
		1	2, 6		51, 52, 54, 55, 56	EX8			
15	05132374AA	2	2, 6		11, 12, 14, 15, 16	EX8			TUBE, Auxiliary A/C and Heater
		2	2, 6		51, 52, 54, 55, 56	EX8			
16	05132830AA	2	2, 6		11, 12, 14, 15, 16	EX8			CLAMP
		2	2, 6		51, 52, 54, 55, 56	EX8			
17	06104576AA	14	2, 6		11, 12, 14, 15, 16	EX8			SCREW
		14	2, 6		51, 52, 54, 55, 56	EX8			

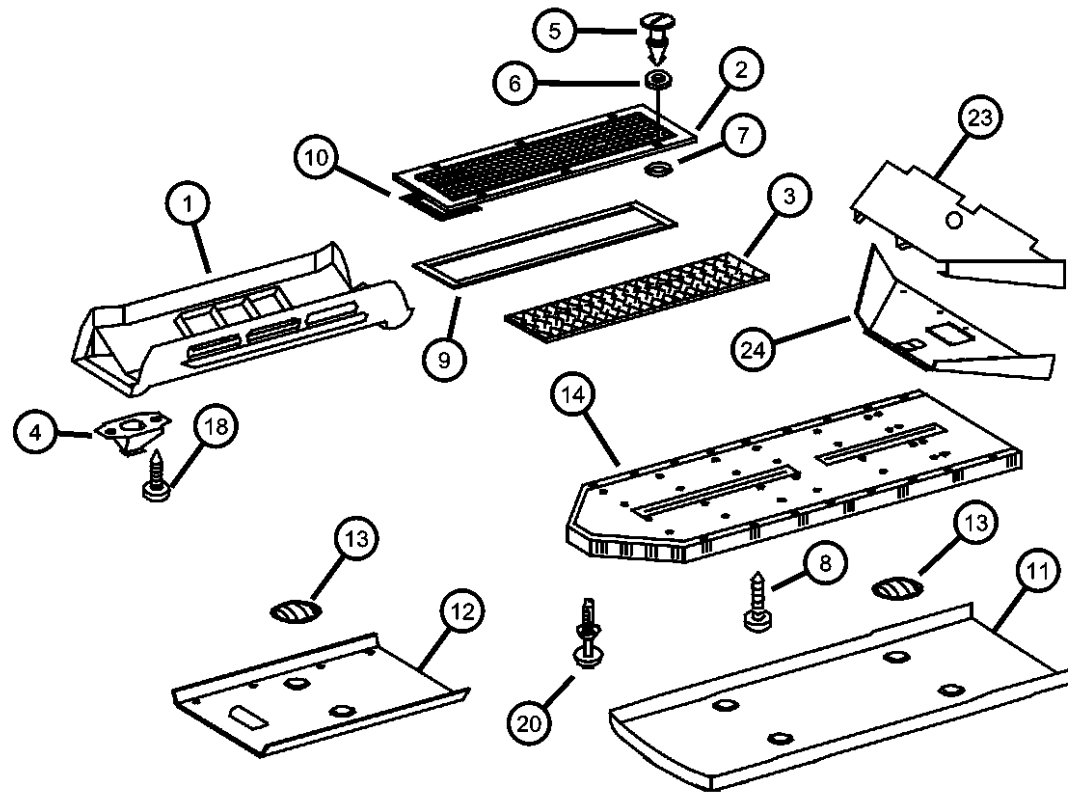
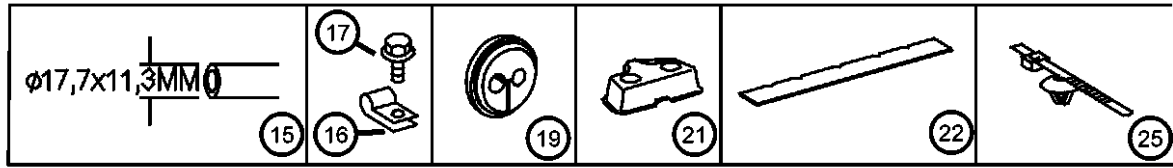
SPRINTER (VA)

SERIES	LINE	BODY	ENGINE	TRANSMISSION
L = LOWLINE	3 = HD DODGE 2WD 8 = HD DODGE 4WD 6 = Lt. Duty DODGE 4WD 2 = Med. Duty DODGE 2WD 7 = Med. Duty DODGE 4WD 4 = TRUCK	01 = CHASSIS FORWARD CONTROL W.B.1 02 = CAB CHASSIS WHEEL BASE 2 06 = CAB CHASSIS WHEEL BASE 6 11 = VAN WHEEL BASE 1 12 = VAN WHEEL BASE 2 51 = WAGON WHEEL BASE 1 52 = WAGON WHEEL BASE 2 14 = VAN WHEEL BASE 4 15 = VAN WHEEL BASE 5 54 = WAGON WHEEL BASE 4 55 = WAGON WHEEL BASE 5 56 = WAGON WHEEL BASE 6 16 = VAN WHEEL BASE 6	EX8 = 2.7L I5 Turbo Diesel Engine EX9 = 2.7L I5 Mercedes-Benz TD Engine	DGJ = 5-Speed Automatic MB Transmission DGZ = 4-Spd. Automatic MT643 Transmission

AR = use ase required - = Non illustrated part

**Auxiliary Air Conditioning Ventilation
Figure 24-280**

ITEM	PART NUMBER	QTY	LINE	SERIES	BODY	ENGINE	TRANS	TRIM	DESCRIPTION
18	06104574AA	9	2, 6		11, 12, 14, 15, 16	EX8			SCREW, Tapping
		9	2, 6		51, 52, 54, 55, 56	EX8			
19	05132393AA	2	2, 6		11, 12, 14, 15, 16	EX8			SEAL, Dust
		2	2, 6		51, 52, 54, 55, 56	EX8			
20	05104541AA	32	2, 6		11, 12, 14, 15, 16	EX8			RIVET
		32	2, 6		51, 52, 54, 55, 56	EX8			
21	05132397AA	1	2, 6		11, 12, 14, 15, 16	EX8			SCREEN, Louvre
		1	2, 6		51, 52, 54, 55, 56	EX8			
22	05132398AA	1	2, 6		11, 12, 14, 15, 16	EX8			SCREEN, Louvre
		1	2, 6		51, 52, 54, 55, 56	EX8			
23	05132300AA	1	2, 6		11, 12, 14, 15, 16	EX8			AIR DUCT
		1	2, 6		51, 52, 54, 55, 56	EX8			
24	05132312AA	1	2, 6		11, 12, 14, 15, 16	EX8			AIR DUCT
		1	2, 6		51, 52, 54, 55, 56	EX8			



SPRINTER (VA)

SERIES

L = LOWLINE

LINE

3 = HD DODGE 2WD
8 = HD DODGE 4WD
6 = Lt. Duty DODGE 4WD
2 = Med. Duty DODGE 2WD
7 = Med. Duty DODGE 4WD
4 = TRUCK

BODY

01 = CHASSIS FORWARD CONTROL W.B.1
02 = CAB CHASSIS WHEEL BASE 2
06 = CAB CHASSIS WHEEL BASE 6
11 = VAN WHEEL BASE 1
12 = VAN WHEEL BASE 2
51 = WAGON WHEEL BASE 1
52 = WAGON WHEEL BASE 2
14 = VAN WHEEL BASE 4
15 = VAN WHEEL BASE 5
54 = WAGON WHEEL BASE 4
55 = WAGON WHEEL BASE 5
56 = WAGON WHEEL BASE 6
16 = VAN WHEEL BASE 6

ENGINE

EX8 = 2.7L I5 Turbo Diesel Engine
EX9 = 2.7L I5 Mercedes-Benz TD Engine

TRANSMISSION

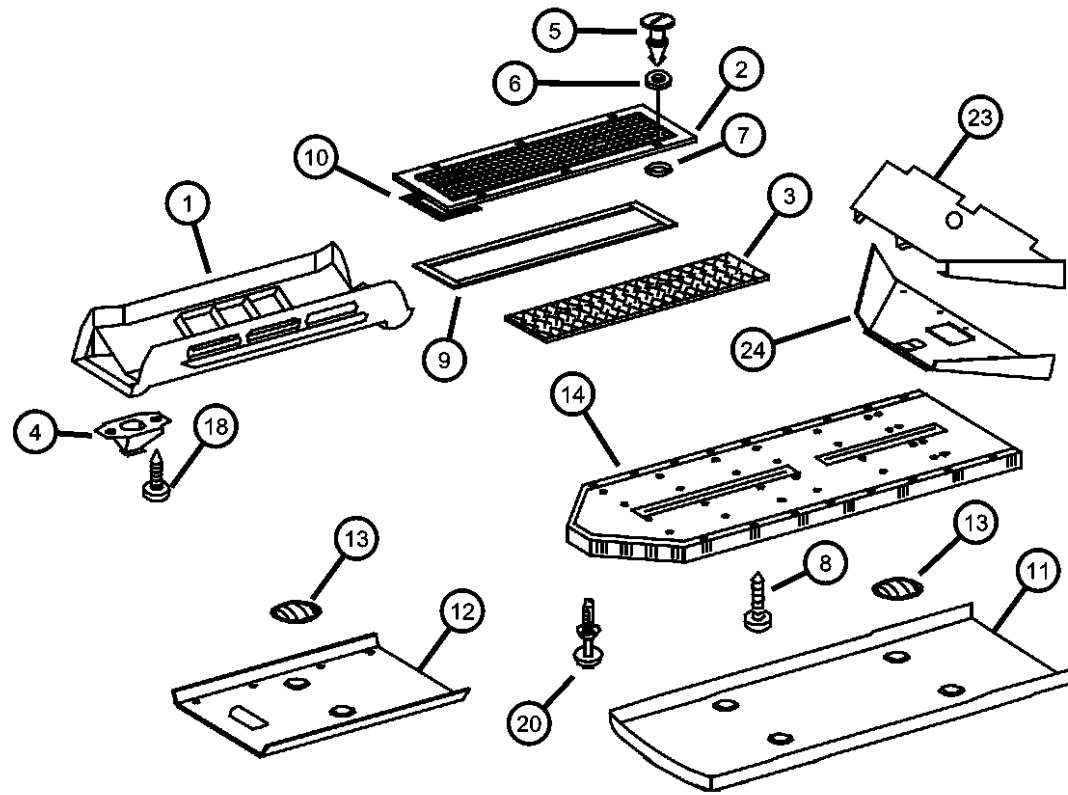
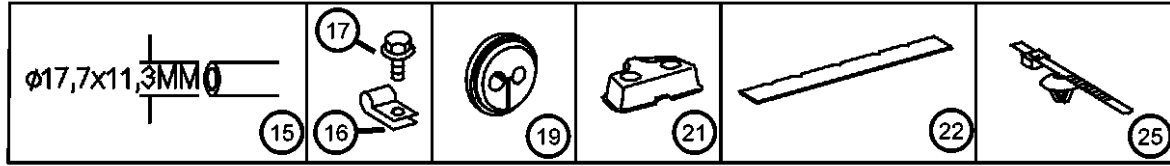
DGJ = 5-Speed Automatic MB Transmission
DGZ = 4-Spd. Automatic MT643 Transmission

AR = use ase required - = Non illustrated part

2006 VA

**Auxiliary Air Conditioning Ventilation
Figure 24-280**

ITEM	PART NUMBER	QTY	LINE	SERIES	BODY	ENGINE	TRANS	TRIM	DESCRIPTION
25	05133402AA	1	2, 6		11, 12, 14, 15, 16	EX8			STRAP, Tie
		1	2, 6		51, 52, 54, 55, 56	EX8			



SPRINTER (VA)

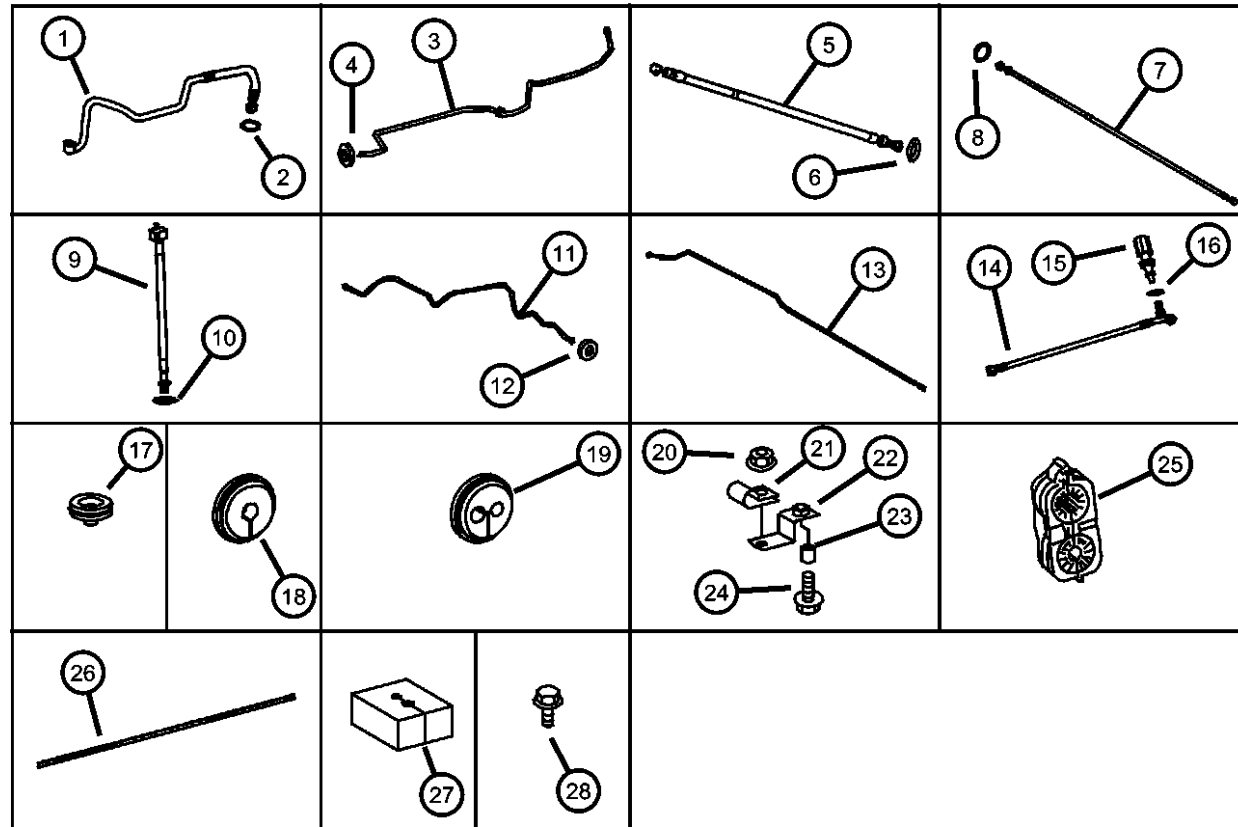
SERIES	LINE	BODY	ENGINE	TRANSMISSION
L = LOWLINE	3 = HD DODGE 2WD 8 = HD DODGE 4WD 6 = Lt. Duty DODGE 4WD 2 = Med. Duty DODGE 2WD 7 = Med. Duty DODGE 4WD 4 = TRUCK	01 = CHASSIS FORWARD CONTROL W.B.1 02 = CAB CHASSIS WHEEL BASE 2 06 = CAB CHASSIS WHEEL BASE 6 11 = VAN WHEEL BASE 1 12 = VAN WHEEL BASE 2 51 = WAGON WHEEL BASE 1 52 = WAGON WHEEL BASE 2 14 = VAN WHEEL BASE 4 15 = VAN WHEEL BASE 5 54 = WAGON WHEEL BASE 4 55 = WAGON WHEEL BASE 5 56 = WAGON WHEEL BASE 6 16 = VAN WHEEL BASE 6	EX8 = 2.7L I5 Turbo Diesel Engine EX9 = 2.7L I5 Mercedes-Benz TD Engine	DGJ = 5-Speed Automatic MB Transmission DGZ = 4-Spd. Automatic MT643 Transmission

AR = use ase required - = Non illustrated part

2006 VA

Refrigerant Line, Rear Air Conditioner
Figure 24-290

ITEM	PART NUMBER	QTY	LINE	SERIES	BODY	ENGINE	TRANS	TRIM	DESCRIPTION
				NOTE: Sales Code: [HAB]=Air Conditioning With [Auto-Temp] [HBD]=Rear Heavy Duty Air Conditioning [MWJ]=High Roof [5AE]=[140'] Inch Wheel Base [5AF]=[158'] Inch Wheel Base					
				1					LINE, A/C
	05139995AA	1	2, 6		11, 12, 14, 15, 16	EX8			With [HBD]
		1	2, 6		51, 52, 54, 55, 56	EX8			With [HBD]
		2	2, 6		11, 12, 14, 15, 16	EX8			O RING, A/C Line
	05103930AA	2	2, 6		11, 12, 14, 15, 16	EX8			With [HBD] / [17x2MM]
		2	2, 6		51, 52, 54, 55, 56	EX8			With [HBD] / [17x2MM]
		2	2, 6		11, 12, 14, 15, 16	EX8			With [HAB] / [17x2MM]
		2	2, 6		51, 52, 54, 55, 56	EX8			With [HAB] / [17x2MM]
		1	2, 6		11, 12, 14, 15, 16	EX8			LINE, A/C
	05136080AA	1	2, 6		11, 12, 14, 15, 16	EX8			With [HBD]
		1	2, 6		51, 52, 54, 55, 56	EX8			With [HBD]
		1	2, 6		11, 12, 14, 15, 16	EX8			O RING, A/C Line
	05103936AA	1	2, 6		11, 12, 14, 15, 16	EX8			With [HBD] / [23.8x2.4MM]
		1	2, 6		51, 52, 54, 55, 56	EX8			With [HBD] / [23.8x2.4MM]
		1	2, 6		12, 15	EX8			LINE, A/C
	05132247AA	1	2, 6		12, 15	EX8			With [HBD + 5AE + MWJ]
		1	2, 6		52, 55	EX8			With [HBD + 5AE + MWJ]
	05132248AA	1	2, 6		16	EX8			With [HBD + 5AF + MWJ]



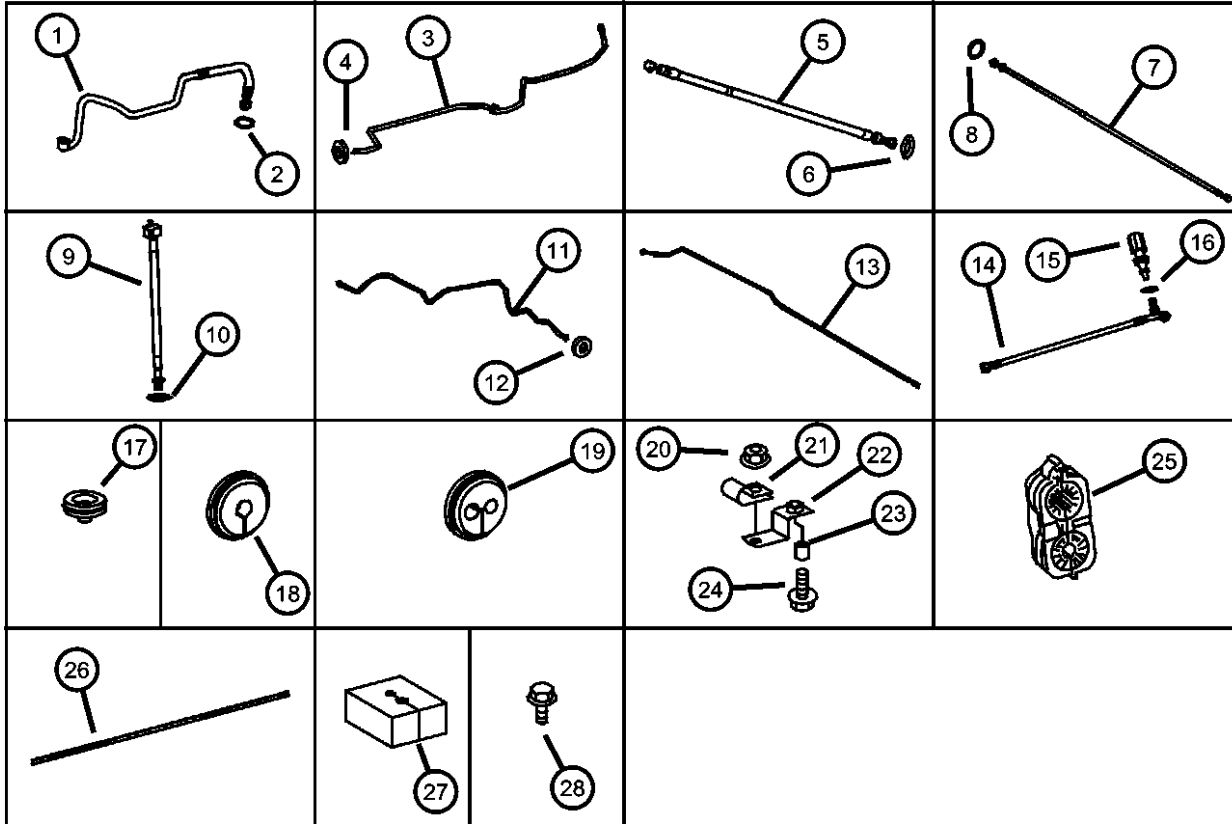
SPRINTER (VA)

SERIES	LINE	BODY	ENGINE	TRANSMISSION
L = LOWLINE	3 = HD DODGE 2WD 8 = HD DODGE 4WD 6 = Lt. Duty DODGE 4WD 2 = Med. Duty DODGE 2WD 7 = Med. Duty DODGE 4WD 4 = TRUCK	01 = CHASSIS FORWARD CONTROL W.B.1 02 = CAB CHASSIS WHEEL BASE 2 06 = CAB CHASSIS WHEEL BASE 6 11 = VAN WHEEL BASE 1 12 = VAN WHEEL BASE 2 51 = WAGON WHEEL BASE 1 52 = WAGON WHEEL BASE 2 14 = VAN WHEEL BASE 4 15 = VAN WHEEL BASE 5 54 = WAGON WHEEL BASE 4 55 = WAGON WHEEL BASE 5 56 = WAGON WHEEL BASE 6 16 = VAN WHEEL BASE 6	EX8 = 2.7L I5 Turbo Diesel Engine EX9 = 2.7L I5 Mercedes-Benz TD Engine	DGJ = 5-Speed Automatic MB Transmission DGZ = 4-Spd. Automatic MT643 Transmission

AR = use ase required - = Non illustrated part

Refrigerant Line, Rear Air Conditioner
Figure 24-290

ITEM	PART NUMBER	QTY	LINE	SERIES	BODY	ENGINE	TRANS	TRIM	DESCRIPTION
		1	2, 6		56	EX8			With [HBD + 5AF + MWJ]
6	05189922AA	1	2, 6		16	EX8			O RING, With [HBD + MWJ + 5AF]
7									LINE, A/C
	05136083AA	1	2, 6		12	EX8			With [HBD + 5AE + MWJ]
		1	2, 6		52	EX8			With [HBD + 5AE + MWJ]
	05136084AA	1	2, 6		12	EX8			With [HBD + 5AE]
		1	2, 6		52	EX8			With [HBD + 5AE]
	05136085AA	1	2, 6		16	EX8			With [HBD + 5AF + MWJ]
		1	2, 6		56	EX8			With [HBD + 5AF + MWJ]
8									O RING
	05189919AA	1	2, 6		16	EX8			With [HBD + MWJ + 5AF]
		1	2, 6		56	EX8			With [HBD + MWJ + 5AF]
9									LINE, A/C
	05132249AA	1	2, 6		11, 12, 14, 15, 16	EX8			With [HBD]
		1	2, 6		51, 52, 54, 55, 56	EX8			With [HBD]
10									O RING, Air Conditioning Line
	05103571AA	1	2, 6		11, 12, 14, 15, 16	EX8			[9.5x2.5MM]
		1	2, 6		51, 52, 54, 55, 56	EX8			[9.5x2.5MM]
11									LINE, A/C
	05136081AA	1	2, 6		51, 52, 54, 55, 56	EX8			With [HBD]
		1	2, 6		11, 12, 14, 15, 16	EX8			With [HBD]
12									O RING, A/C Line
	05098972AA	1	2, 6		11, 12, 14, 15, 16	EX8			With [HBD]
		1	2, 6		51, 52, 54, 55, 56	EX8			With [HBD]



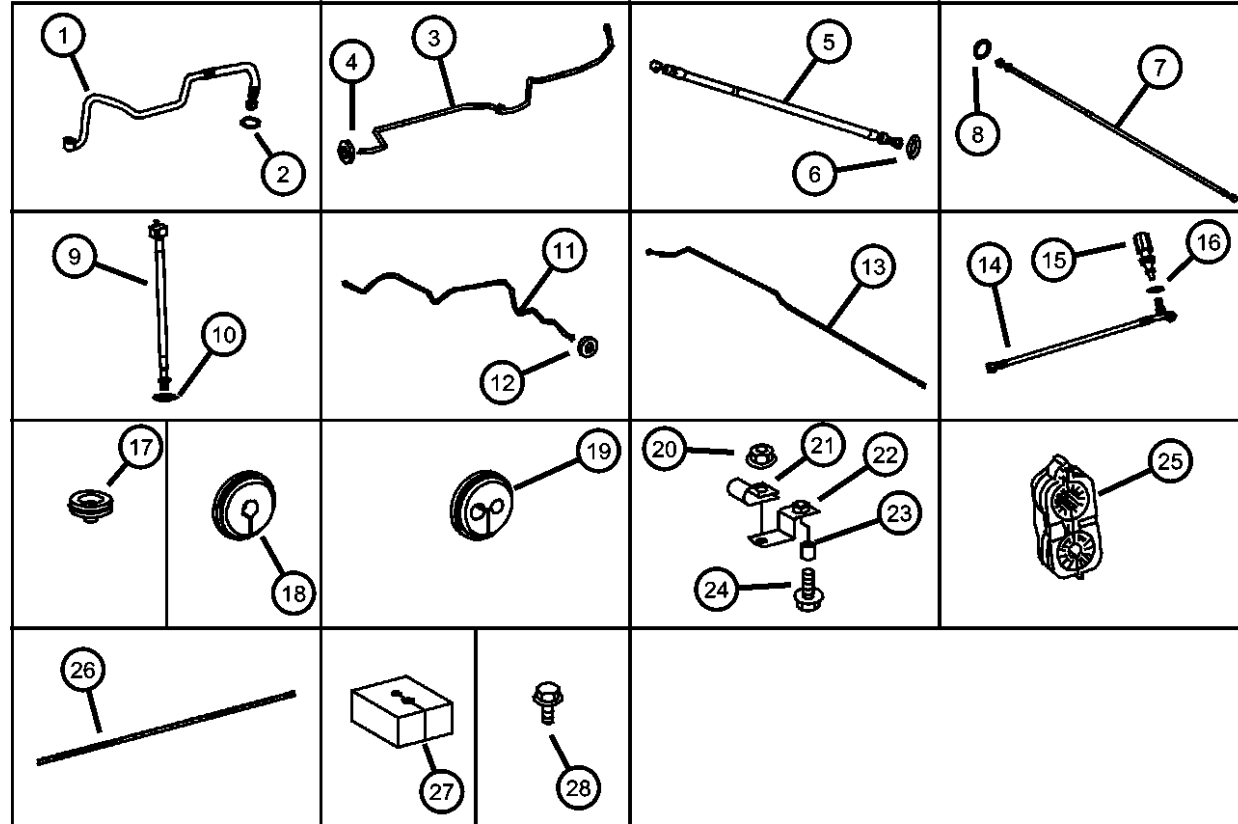
SPRINTER (VA)

SERIES	LINE	BODY	ENGINE	TRANSMISSION
L = LOWLINE	3 = HD DODGE 2WD 8 = HD DODGE 4WD 6 = Lt. Duty DODGE 4WD 2 = Med. Duty DODGE 2WD 7 = Med. Duty DODGE 4WD 4 = TRUCK	01 = CHASSIS FORWARD CONTROL W.B.1 02 = CAB CHASSIS WHEEL BASE 2 06 = CAB CHASSIS WHEEL BASE 6 11 = VAN WHEEL BASE 1 12 = VAN WHEEL BASE 2 51 = WAGON WHEEL BASE 1 52 = WAGON WHEEL BASE 2 14 = VAN WHEEL BASE 4 15 = VAN WHEEL BASE 5 54 = WAGON WHEEL BASE 4 55 = WAGON WHEEL BASE 5 56 = WAGON WHEEL BASE 6 16 = VAN WHEEL BASE 6	EX8 = 2.7L I5 Turbo Diesel Engine EX9 = 2.7L I5 Mercedes-Benz TD Engine	DGJ = 5-Speed Automatic MB Transmission DGZ = 4-Spd. Automatic MT643 Transmission

AR = use ase required - = Non illustrated part

Refrigerant Line, Rear Air Conditioner
Figure 24-290

ITEM	PART NUMBER	QTY	LINE	SERIES	BODY	ENGINE	TRANS	TRIM	DESCRIPTION
13	05136082AA	1	2, 6		11, 12, 14, 15, 16	EX8			LINE, A/C With [HBD]
		1	2, 6		51, 52, 54, 55, 56	EX8			With [HBD]
14	05132257AA	1	2, 6		51, 52, 54, 55, 56	EX8			LINE, A/C With [HBD]
		1	2, 6		11, 12, 14, 15, 16	EX8			With [HBD]
15	05138910AA	1	2, 6		51, 52, 54, 55, 56	EX8			VALVE, With [HBD]
16	05098971AA	1	2, 6		51, 52, 54, 55, 56	EX8			O RING, A/C Line, With [HBD]
17	05132800AA	2	2, 6		11, 12, 14, 15, 16	EX8			GROMMET With [HBD]
		2	2, 6		51, 52, 54, 55, 56	EX8			With [HBD]
18	05132394AA	1	2, 6		11, 12, 14, 15, 16	EX8			SEAL With [HBD]
		1	2, 6		51, 52, 54, 55, 56	EX8			With [HBD]
19	05132393AA	1	2, 6		11, 12, 14, 15, 16	EX8			SEAL, Dust With [HBD]
		1	2, 6		51, 52, 54, 55, 56	EX8			With [HBD]
20	05097674AA	5	2, 6		11, 12, 14, 15, 16	EX8			NUT, Hex With [HBD]
		5	2, 6		51, 52, 54, 55, 56	EX8			With [HBD]
	06104911AA	3	2, 6		12, 15	EX8			With [HBD + 5AE]



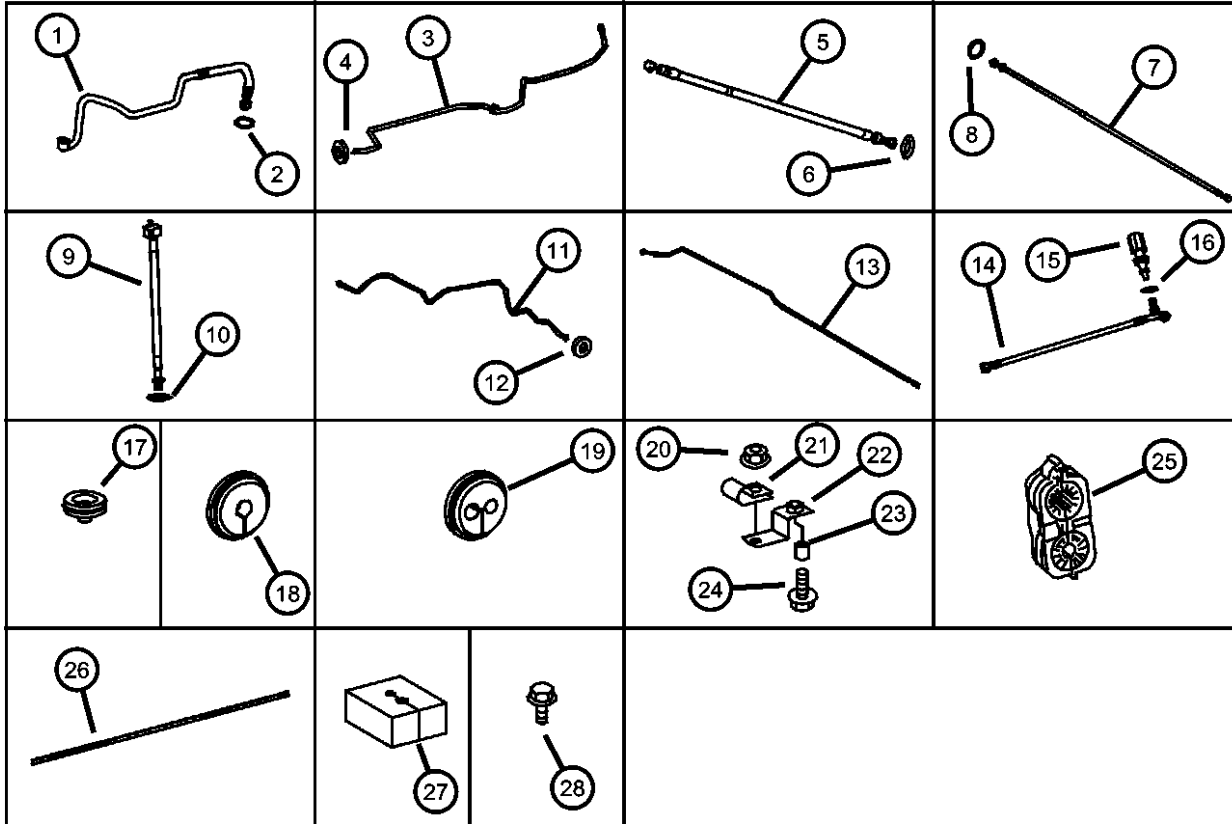
SPRINTER (VA)

SERIES	LINE	BODY	ENGINE	TRANSMISSION
L = LOWLINE	3 = HD DODGE 2WD 8 = HD DODGE 4WD 6 = Lt. Duty DODGE 4WD 2 = Med. Duty DODGE 2WD 7 = Med. Duty DODGE 4WD 4 = TRUCK	01 = CHASSIS FORWARD CONTROL W.B.1 02 = CAB CHASSIS WHEEL BASE 2 06 = CAB CHASSIS WHEEL BASE 6 11 = VAN WHEEL BASE 1 12 = VAN WHEEL BASE 2 51 = WAGON WHEEL BASE 1 52 = WAGON WHEEL BASE 2 14 = VAN WHEEL BASE 4 15 = VAN WHEEL BASE 5 54 = WAGON WHEEL BASE 4 55 = WAGON WHEEL BASE 5 56 = WAGON WHEEL BASE 6 16 = VAN WHEEL BASE 6	EX8 = 2.7L I5 Turbo Diesel Engine EX9 = 2.7L I5 Mercedes-Benz TD Engine	DGJ = 5-Speed Automatic MB Transmission DGZ = 4-Spd. Automatic MT643 Transmission

AR = use ase required - = Non illustrated part

Refrigerant Line, Rear Air Conditioner
Figure 24-290

ITEM	PART NUMBER	QTY	LINE	SERIES	BODY	ENGINE	TRANS	TRIM	DESCRIPTION
		4	2, 6		11, 14, 16	EX8			With [HBD + 5AF]
		3	2, 6		52, 55	EX8			With [HBD + 5AE]
		4	2, 6		51, 54, 56	EX8			With [HBD + 5AF]
21	05142196AA	3	2, 6		12, 15	EX8			CLAMP, HOSE CLAMP With [HBD + 5AE]
		4	2, 6		11, 14, 16	EX8			With [HBD + 5AF]
		3	2, 6		52, 55	EX8			With [HBD + 5AE]
		4	2, 6		51, 54, 56	EX8			With [HBD + 5AF]
22	05132202AA	2	2, 6		51, 52, 54, 55, 56	EX8			BRACKET With [HBD]
		2	2, 6		11, 12, 14, 15, 16	EX8			With [HBD]
23	05128206AA	2	2, 6		11, 12, 14, 15, 16	EX8			SPACER
		2	2, 6		51, 52, 54, 55, 56	EX8			
24	06104010AA	2	2, 6		11, 12, 14, 15, 16	EX8			SCREW
25	05132786AA	2	2, 6		51, 52, 54, 55, 56	EX8			CLAMP
		2	2, 6		12, 15	EX8			With [HBD + 5AE]
		2	2, 6		52, 55	EX8			With [HBD + 5AE]
		3	2, 6		51, 54, 56	EX8			With [HBD + 5AF]
		3	2, 6		11, 14, 16	EX8			With [HBD + 5AF]
26	05123540AA	4	2, 6		11, 12, 14, 15, 16	EX8			GUARD, Edge



SPRINTER (VA)

SERIES	LINE	BODY	ENGINE	TRANSMISSION
L = LOWLINE	3 = HD DODGE 2WD 8 = HD DODGE 4WD 6 = Lt. Duty DODGE 4WD 2 = Med. Duty DODGE 2WD 7 = Med. Duty DODGE 4WD 4 = TRUCK	01 = CHASSIS FORWARD CONTROL W.B.1 02 = CAB CHASSIS WHEEL BASE 2 06 = CAB CHASSIS WHEEL BASE 6 11 = VAN WHEEL BASE 1 12 = VAN WHEEL BASE 2 51 = WAGON WHEEL BASE 1 52 = WAGON WHEEL BASE 2 14 = VAN WHEEL BASE 4 15 = VAN WHEEL BASE 5 54 = WAGON WHEEL BASE 4 55 = WAGON WHEEL BASE 5 56 = WAGON WHEEL BASE 6 16 = VAN WHEEL BASE 6	EX8 = 2.7L I5 Turbo Diesel Engine EX9 = 2.7L I5 Mercedes-Benz TD Engine	DGJ = 5-Speed Automatic MB Transmission DGZ = 4-Spd. Automatic MT643 Transmission

AR = use ase required - = Non illustrated part

Refrigerant Line, Rear Air Conditioner
Figure 24-290

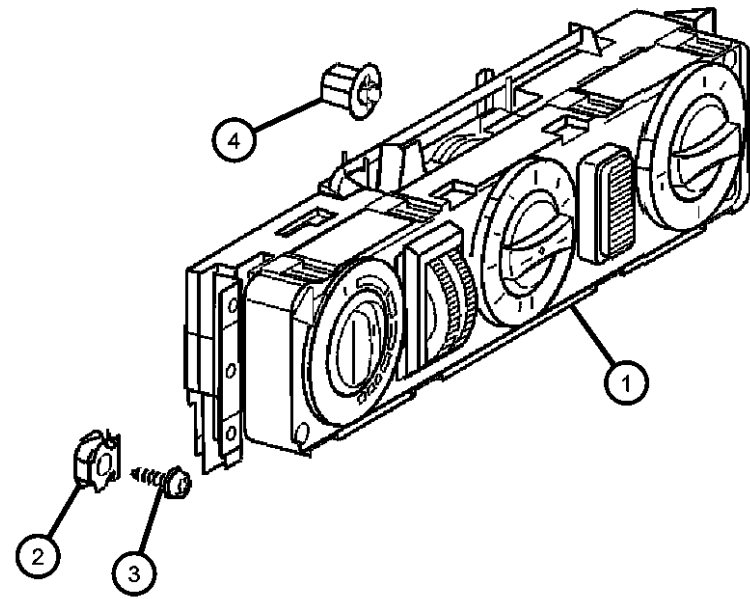
ITEM	PART NUMBER	QTY	LINE	SERIES	BODY	ENGINE	TRANS	TRIM	DESCRIPTION
		4	2, 6		51, 52, 54, 55, 56	EX8			
27	05132391AA	5	2, 6		12, 15	EX8			PROTECTOR With [HBD + 5AE]
		7	2, 6		11, 14, 16	EX8			With [HBD + 5AF]
		5	2, 6		52, 55	EX8			With [HBD + 5AE]
		7	2, 6		51, 54, 56	EX8			With [HBD + 5AF]
28	06104144AA	2	2, 6		11, 12, 14, 15, 16	EX8			SCREW Mounting Screw
		2	2, 6		51, 52, 54, 55, 56	EX8			Mounting Screw

SPRINTER (VA)

SERIES	LINE	BODY	ENGINE	TRANSMISSION
L = LOWLINE	3 = HD DODGE 2WD 8 = HD DODGE 4WD 6 = Lt. Duty DODGE 4WD 2 = Med. Duty DODGE 2WD 7 = Med. Duty DODGE 4WD 4 = TRUCK	01 = CHASSIS FORWARD CONTROL W.B.1 02 = CAB CHASSIS WHEEL BASE 2 06 = CAB CHASSIS WHEEL BASE 6 11 = VAN WHEEL BASE 1 12 = VAN WHEEL BASE 2 51 = WAGON WHEEL BASE 1 52 = WAGON WHEEL BASE 2 14 = VAN WHEEL BASE 4 15 = VAN WHEEL BASE 5 54 = WAGON WHEEL BASE 4 55 = WAGON WHEEL BASE 5 56 = WAGON WHEEL BASE 6 16 = VAN WHEEL BASE 6	EX8 = 2.7L I5 Turbo Diesel Engine EX9 = 2.7L I5 Mercedes-Benz TD Engine	DGJ = 5-Speed Automatic MB Transmission DGZ = 4-Spd. Automatic MT643 Transmission

AR = use ase required - = Non illustrated part

**Control
Figure 24-320**



ITEM	PART NUMBER	QTY	LINE	SERIES	BODY	ENGINE	TRANS	TRIM	DESCRIPTION
1									CONTROL, A/C And Heater
	05103643AA	1	2, 6		01, 02, 06	EX8			[HAB]
		1	2, 6		11, 12, 14, 15, 16	EX8			[HAB]
		1	2, 6		51, 52, 54, 55, 56	EX8			[HAB]
		1	3, 7		02, 06	EX8			[HAB]
		1	3, 7		12, 15, 16	EX8			[HAB]
	05103644AA	1	2, 6		01, 02, 06	EX8			[HAB+3JV]
		1	2, 6		11, 12, 14, 15, 16	EX8			[HAB+3JV]
		1	2, 6		51, 52, 54, 55, 56	EX8			[HAB+3JV]
		1	3, 7		02, 06	EX8			[HAB+3JV]
		1	3, 7		12, 15, 16	EX8			[HAB+3JV]
	05103690AA	1	2, 6		01, 02, 06	EX8			[-HAB+3JV]
		1	2, 6		11, 12, 14, 15, 16	EX8			[-HAB+3JV]
		1	2, 6		51, 52, 54, 55, 56	EX8			[-HAB+3JV]
		1	3, 7		02, 06	EX8			[-HAB+3JV]
		1	3, 7		12, 15, 16	EX8			[-HAB+3JV]
2									NUT, Spring
	05125861AA	4	2, 6		01, 02, 06	EX8			
		4	2, 6		11, 12, 14, 15, 16	EX8			
		4	2, 6		51, 52, 54, 55, 56	EX8			
		4	3, 7		02, 06	EX8			
		4	3, 7		12, 15, 16	EX8			
3									SCREW
	06104010AA	2	2, 6		11, 12, 14, 15, 16	EX8			

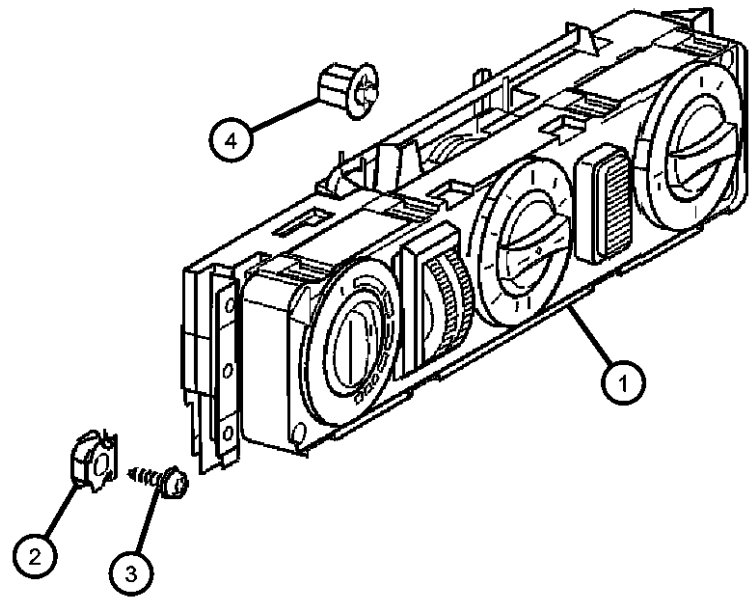
SPRINTER (VA)

SERIES	LINE	BODY	ENGINE	TRANSMISSION
L = LOWLINE	3 = HD DODGE 2WD	01 = CHASSIS FORWARD CONTROL W.B.1	EX8 = 2.7L I5 Turbo Diesel Engine	DGJ = 5-Speed Automatic MB Transmission
	8 = HD DODGE 4WD	02 = CAB CHASSIS WHEEL BASE 2	EX9 = 2.7L I5 Mercedes-Benz TD Engine	DGZ = 4-Spd. Automatic MT643 Transmission
	6 = Lt. Duty DODGE 4WD	06 = CAB CHASSIS WHEEL BASE 6		
	2 = Med. Duty DODGE 2WD	11 = VAN WHEEL BASE 1		
	7 = Med. Duty DODGE 4WD	12 = VAN WHEEL BASE 2		
	4 = TRUCK	51 = WAGON WHEEL BASE 1		
		52 = WAGON WHEEL BASE 2		
		14 = VAN WHEEL BASE 4		
		15 = VAN WHEEL BASE 5		
		54 = WAGON WHEEL BASE 4		
		55 = WAGON WHEEL BASE 5		
		56 = WAGON WHEEL BASE 6		
		16 = VAN WHEEL BASE 6		

AR = use ase required - = Non illustrated part

Control
Figure 24-320

ITEM	PART NUMBER	QTY	LINE	SERIES	BODY	ENGINE	TRANS	TRIM	DESCRIPTION
		2	2, 6		51, 52, 54, 55, 56	EX8			
		2	3, 7		12, 15, 16	EX8			
4	05133468AA	1	2, 6		01, 02, 06	EX8			BULB
		1	2, 6		11, 12, 14, 15, 16	EX8			
		1	2, 6		51, 52, 54, 55, 56	EX8			
		1	3, 7		02, 06	EX8			
		1	3, 7		12, 15, 16	EX8			



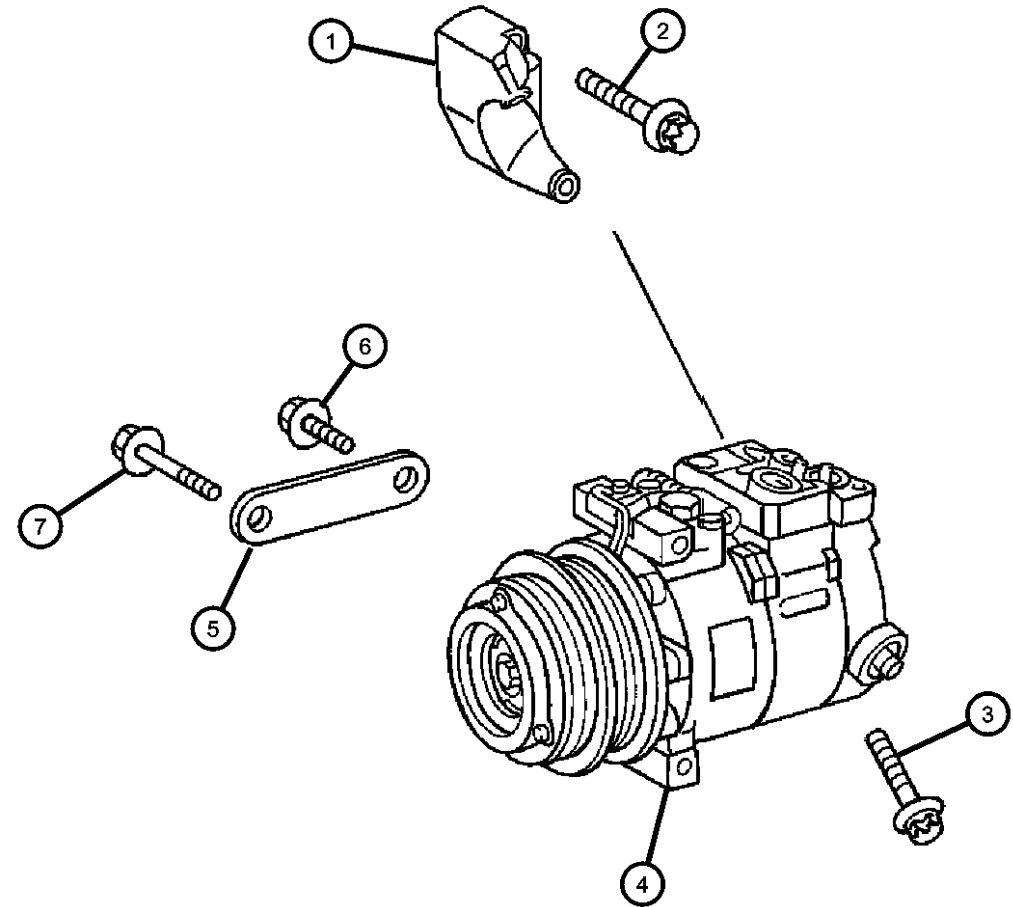
SPRINTER (VA)

SERIES	LINE	BODY	ENGINE	TRANSMISSION
L = LOWLINE	3 = HD DODGE 2WD 8 = HD DODGE 4WD 6 = Lt. Duty DODGE 4WD 2 = Med. Duty DODGE 2WD 7 = Med. Duty DODGE 4WD 4 = TRUCK	01 = CHASSIS FORWARD CONTROL W.B.1 02 = CAB CHASSIS WHEEL BASE 2 06 = CAB CHASSIS WHEEL BASE 6 11 = VAN WHEEL BASE 1 12 = VAN WHEEL BASE 2 51 = WAGON WHEEL BASE 1 52 = WAGON WHEEL BASE 2 14 = VAN WHEEL BASE 4 15 = VAN WHEEL BASE 5 54 = WAGON WHEEL BASE 4 55 = WAGON WHEEL BASE 5 56 = WAGON WHEEL BASE 6 16 = VAN WHEEL BASE 6	EX8 = 2.7L I5 Turbo Diesel Engine EX9 = 2.7L I5 Mercedes-Benz TD Engine	DGJ = 5-Speed Automatic MB Transmission DGZ = 4-Spd. Automatic MT643 Transmission

AR = use ase required - = Non illustrated part

2006 VA

**Compressor and Mounting
Figure 24-420**



ITEM	PART NUMBER	QTY	LINE	SERIES	BODY	ENGINE	TRANS	TRIM	DESCRIPTION
1	05117682AA	1	2, 3, 6, 7			EX8			SUPPORT
2									SCREW
	06104031AA	1	2, 6		01, 02, 06	EX8			
		1	2, 6		11, 12, 14, 15, 16	EX8			
		1	2, 6		51, 52, 54, 55, 56	EX8			
		4	3, 7		02, 06	EX8			
		4	3, 7		12, 15, 16	EX8			
3									SCREW
	06104035AA	2	2, 6		01, 02, 06	EX8			
		2	2, 6		11, 12, 14, 15, 16	EX8			
		2	2, 6		51, 52, 54, 55, 56	EX8			
		2	3, 7		02, 06	EX8			
		2	3, 7		12, 15, 16	EX8			
4									COMPRESSOR, Air Conditioning
	05117666AA	1	2, 6		01, 02, 06	EX8			[HAB]
		1	2, 6		11, 12, 14, 15, 16	EX8			[HAB]
		1	2, 6		51, 52, 54, 55, 56	EX8			[HAB]
		1	3, 7		02, 06	EX8			[HAB]
		1	3, 7		12, 15, 16	EX8			[HAB]
	05117668AA	1	2, 6		52, 55, 56	EX8			With [HBD]
5									BRACKET, A/C Compressor
	05117686AA	1	2, 6		01, 02, 06	EX8			
		1	2, 6		11, 12, 14, 15, 16	EX8			
		1	2, 6		51, 52, 54, 55, 56	EX8			

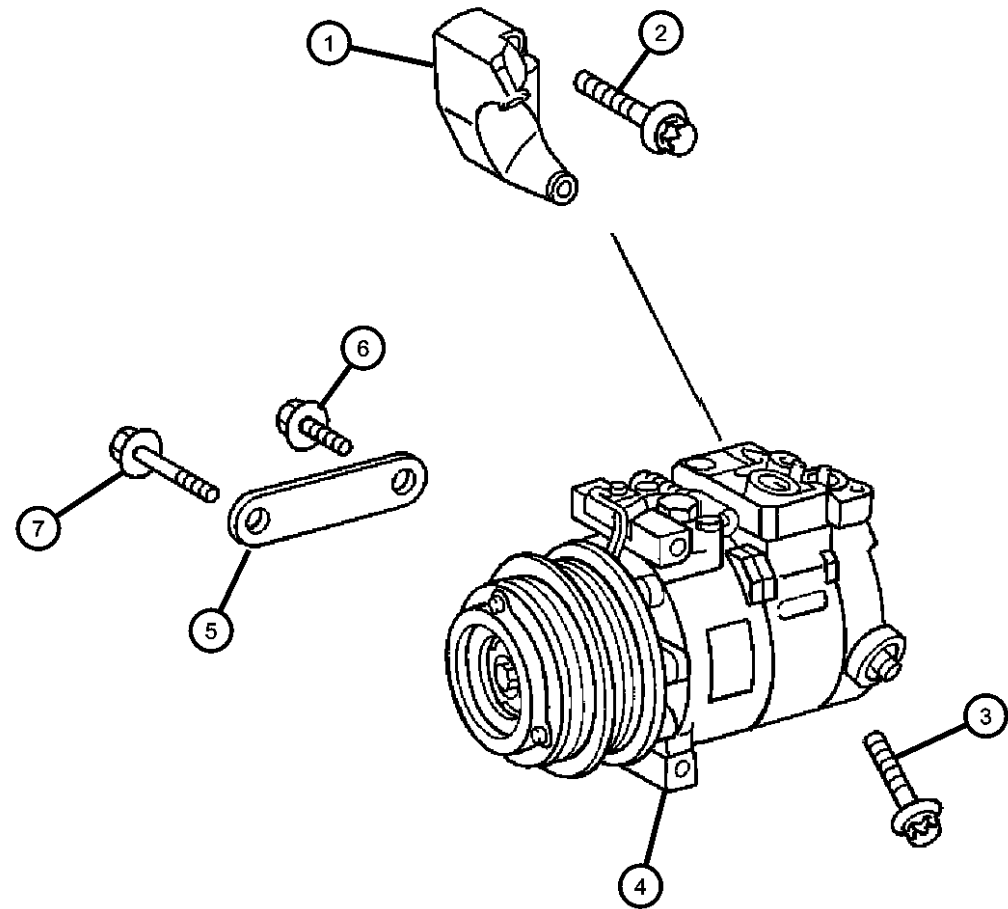
SPRINTER (VA)

SERIES	LINE	BODY	ENGINE	TRANSMISSION
L = LOWLINE	3 = HD DODGE 2WD 8 = HD DODGE 4WD 6 = Lt. Duty DODGE 4WD 2 = Med. Duty DODGE 2WD 7 = Med. Duty DODGE 4WD 4 = TRUCK	01 = CHASSIS FORWARD CONTROL W.B.1 02 = CAB CHASSIS WHEEL BASE 2 06 = CAB CHASSIS WHEEL BASE 6 11 = VAN WHEEL BASE 1 12 = VAN WHEEL BASE 2 51 = WAGON WHEEL BASE 1 52 = WAGON WHEEL BASE 2 14 = VAN WHEEL BASE 4 15 = VAN WHEEL BASE 5 54 = WAGON WHEEL BASE 4 55 = WAGON WHEEL BASE 5 56 = WAGON WHEEL BASE 6 16 = VAN WHEEL BASE 6	EX8 = 2.7L I5 Turbo Diesel Engine EX9 = 2.7L I5 Mercedes-Benz TD Engine	DGJ = 5-Speed Automatic MB Transmission DGZ = 4-Spd. Automatic MT643 Transmission

AR = use ase required - = Non illustrated part

**Compressor and Mounting
Figure 24-420**

ITEM	PART NUMBER	QTY	LINE	SERIES	BODY	ENGINE	TRANS	TRIM	DESCRIPTION
		1	3, 7		02, 06	EX8			
		1	3, 7		12, 15, 16	EX8			
6	06104022AA	3	2, 3, 6, 7			EX8			SCREW
7	06104036AA	1	2, 6		01, 02, 06	EX8			SCREW
		1	2, 6		11, 12, 14, 15, 16	EX8			
		1	2, 6		51, 52, 54, 55, 56	EX8			
		1	3, 7		02, 06	EX8			
		1	3, 7		12, 15, 16	EX8			

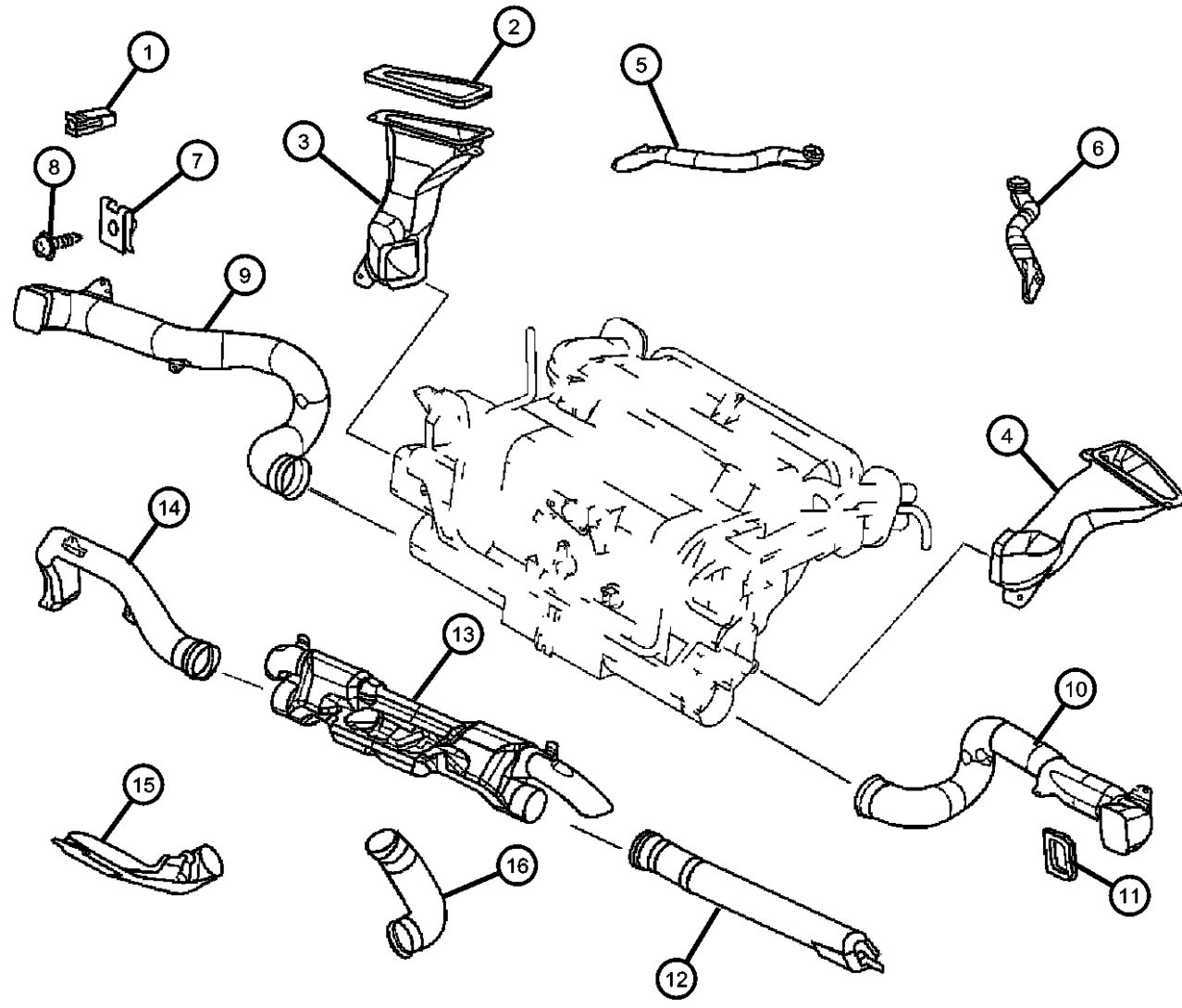


SPRINTER (VA)

SERIES	LINE	BODY	ENGINE	TRANSMISSION
L = LOWLINE	3 = HD DODGE 2WD 8 = HD DODGE 4WD 6 = Lt. Duty DODGE 4WD 2 = Med. Duty DODGE 2WD 7 = Med. Duty DODGE 4WD 4 = TRUCK	01 = CHASSIS FORWARD CONTROL W.B.1 02 = CAB CHASSIS WHEEL BASE 2 06 = CAB CHASSIS WHEEL BASE 6 11 = VAN WHEEL BASE 1 12 = VAN WHEEL BASE 2 51 = WAGON WHEEL BASE 1 52 = WAGON WHEEL BASE 2 14 = VAN WHEEL BASE 4 15 = VAN WHEEL BASE 5 54 = WAGON WHEEL BASE 4 55 = WAGON WHEEL BASE 5 56 = WAGON WHEEL BASE 6 16 = VAN WHEEL BASE 6	EX8 = 2.7L I5 Turbo Diesel Engine EX9 = 2.7L I5 Mercedes-Benz TD Engine	DGJ = 5-Speed Automatic MB Transmission DGZ = 4-Spd. Automatic MT643 Transmission

AR = use ase required - = Non illustrated part

Air Ducts And Outlets, Front
Figure 24-630



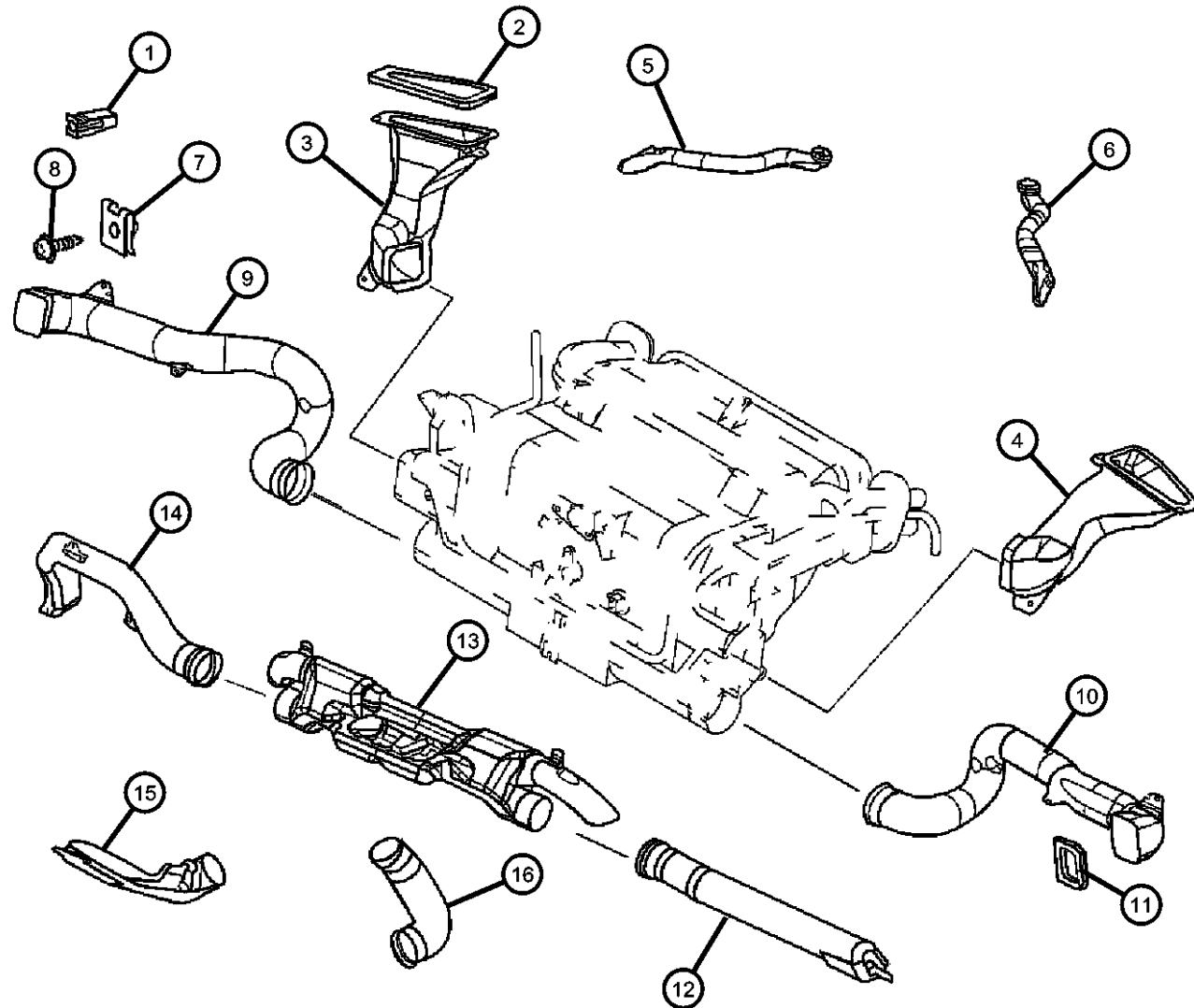
ITEM	PART NUMBER	QTY	LINE	SERIES	BODY	ENGINE	TRANS	TRIM	DESCRIPTION
1									NUT, Plastic Snap-in
	05125576AA	2	2, 6		01, 02, 06	EX8			
		2	3, 7		02, 06	EX8			
		2	3, 7		12, 15, 16	EX8			
		2	2, 6		11, 12, 14, 15, 16	EX8			
2									SEAL
	05124782AA	1	2, 6		51, 52, 54, 55, 56	EX8			Right
		1	3, 7		02, 06	EX8			Right
		1	3, 7		12, 15, 16	EX8			Right
	05124781AA	1	2, 6		01, 02, 06	EX8			Left
		1	2, 6		11, 12, 14, 15, 16	EX8			Left
		1	2, 6		51, 52, 54, 55, 56	EX8			Left
		1	3, 7		02, 06	EX8			Left
		1	3, 7		12, 15, 16	EX8			Left
		1	2, 6		01, 02, 06	EX8			Right
		1	2, 6		11, 12, 14, 15, 16	EX8			Right
3									DUCT, Defroster
	05133445AA	1	2, 6		01, 02, 06	EX8			
		1	2, 6		11, 12, 14, 15, 16	EX8			
		1	2, 6		51, 52, 54, 55, 56	EX8			
		1	3, 7		02, 06	EX8			
		1	3, 7		12, 15, 16	EX8			
4									DUCT, AIR
	05124749AA	1	2, 6		01, 02, 06	EX8			

SPRINTER (VA)

SERIES	LINE	BODY	ENGINE	TRANSMISSION
L = LOWLINE	3 = HD DODGE 2WD 8 = HD DODGE 4WD 6 = Lt. Duty DODGE 4WD 2 = Med. Duty DODGE 2WD 7 = Med. Duty DODGE 4WD 4 = TRUCK	01 = CHASSIS FORWARD CONTROL W.B.1 02 = CAB CHASSIS WHEEL BASE 2 06 = CAB CHASSIS WHEEL BASE 6 11 = VAN WHEEL BASE 1 12 = VAN WHEEL BASE 2 51 = WAGON WHEEL BASE 1 52 = WAGON WHEEL BASE 2 14 = VAN WHEEL BASE 4 15 = VAN WHEEL BASE 5 54 = WAGON WHEEL BASE 4 55 = WAGON WHEEL BASE 5 56 = WAGON WHEEL BASE 6 16 = VAN WHEEL BASE 6	EX8 = 2.7L I5 Turbo Diesel Engine EX9 = 2.7L I5 Mercedes-Benz TD Engine	DGJ = 5-Speed Automatic MB Transmission DGZ = 4-Spd. Automatic MT643 Transmission

AR = use ase required - = Non illustrated part

Air Ducts And Outlets, Front
Figure 24-630



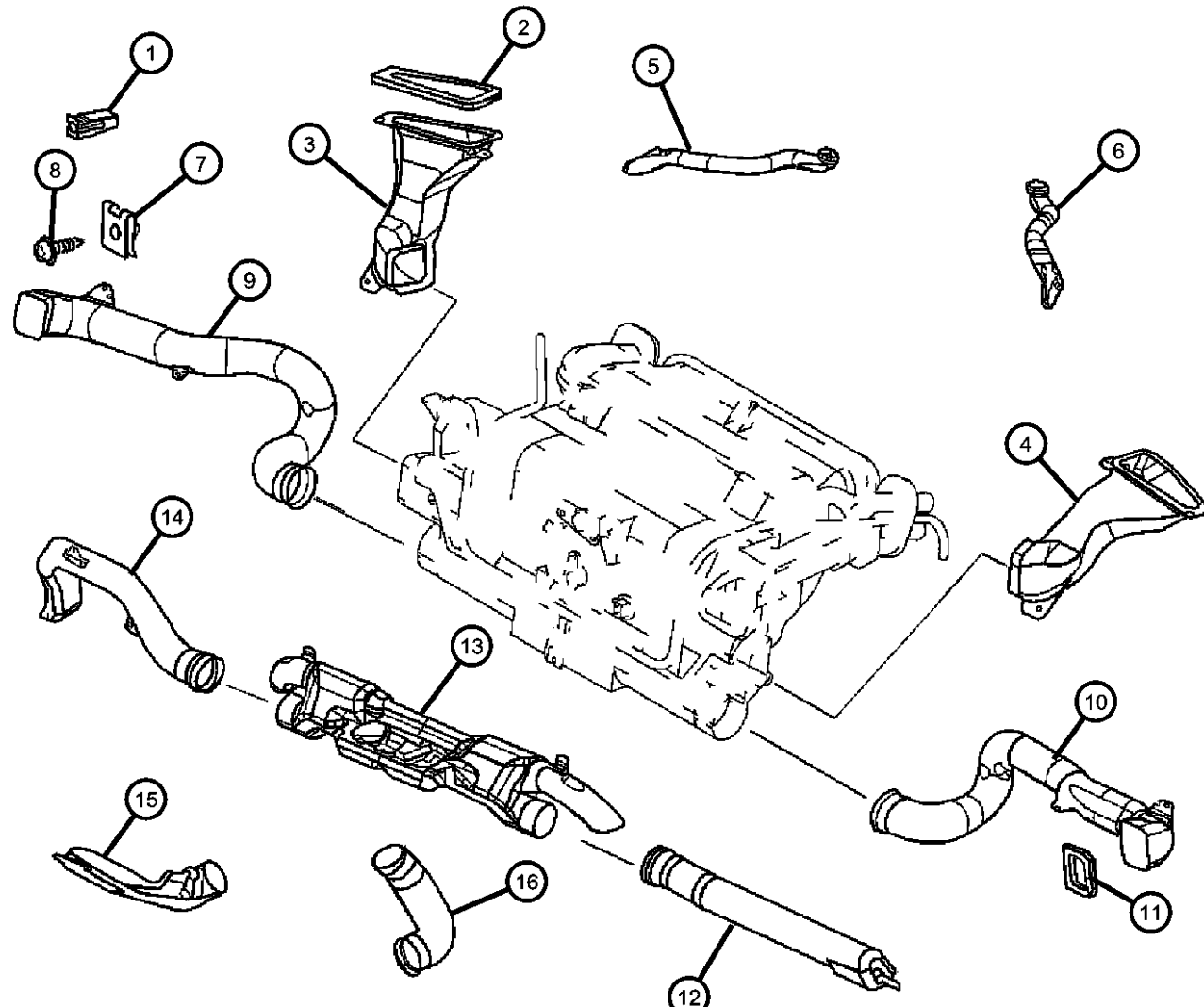
ITEM	PART NUMBER	QTY	LINE	SERIES	BODY	ENGINE	TRANS	TRIM	DESCRIPTION
		1	2, 6		11, 12, 14, 15, 16	EX8			
		1	2, 6		51, 52, 54, 55, 56	EX8			
		1	3, 7		02, 06	EX8			
		1	3, 7		12, 15, 16	EX8			
5									DUCT
	05124745AA	1	2, 6		01, 02, 06	EX8			
		1	2, 6		11, 12, 14, 15, 16	EX8			
		1	2, 6		51, 52, 54, 55, 56	EX8			
		1	3, 7		02, 06	EX8			
		1	3, 7		12, 15, 16	EX8			
6									DUCT
	05124746AA	1	2, 6		11, 12, 14, 15, 16	EX8			
		1	2, 6		51, 52, 54, 55, 56	EX8			
		1	3, 7		02, 06	EX8			
		1	3, 7		12, 15, 16	EX8			
		1	2, 6		01, 02, 06	EX8			
7									NUT, Clip-On
	05125857AA	2	2, 6		01, 02, 06	EX8			
		2	2, 6		11, 12, 14, 15, 16	EX8			
		2	2, 6		51, 52, 54, 55, 56	EX8			
		2	3, 7		02, 06	EX8			
		2	3, 7		12, 15, 16	EX8			
8									SCREW
	06104610AA	2	2, 6		01, 02, 06	EX8			

SPRINTER (VA)

SERIES	LINE	BODY	ENGINE	TRANSMISSION
L = LOWLINE	3 = HD DODGE 2WD 8 = HD DODGE 4WD 6 = Lt. Duty DODGE 4WD 2 = Med. Duty DODGE 2WD 7 = Med. Duty DODGE 4WD 4 = TRUCK	01 = CHASSIS FORWARD CONTROL W.B.1 02 = CAB CHASSIS WHEEL BASE 2 06 = CAB CHASSIS WHEEL BASE 6 11 = VAN WHEEL BASE 1 12 = VAN WHEEL BASE 2 51 = WAGON WHEEL BASE 1 52 = WAGON WHEEL BASE 2 14 = VAN WHEEL BASE 4 15 = VAN WHEEL BASE 5 54 = WAGON WHEEL BASE 4 55 = WAGON WHEEL BASE 5 56 = WAGON WHEEL BASE 6 16 = VAN WHEEL BASE 6	EX8 = 2.7L I5 Turbo Diesel Engine EX9 = 2.7L I5 Mercedes-Benz TD Engine	DGJ = 5-Speed Automatic MB Transmission DGZ = 4-Spd. Automatic MT643 Transmission

AR = use ase required - = Non illustrated part

Air Ducts And Outlets, Front
Figure 24-630



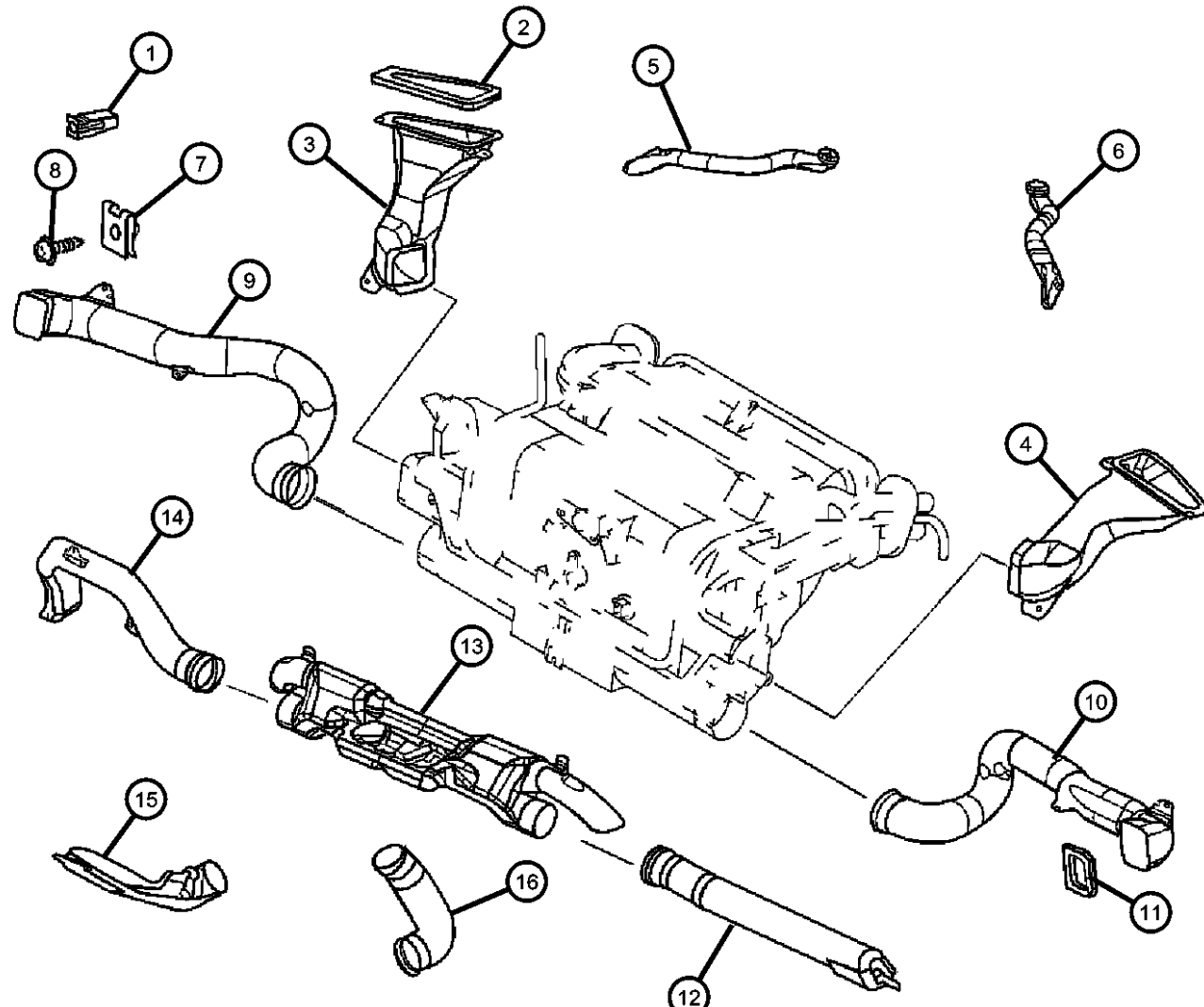
ITEM	PART NUMBER	QTY	LINE	SERIES	BODY	ENGINE	TRANS	TRIM	DESCRIPTION
		2	2, 6		51, 52, 54, 55, 56	EX8			
		2	2, 6		11, 12, 14, 15, 16	EX8			
		2	3, 7		02, 06	EX8			
		2	3, 7		12, 15, 16	EX8			
9									DUCT, AIR
	05124749AA	1	2, 6		51, 52, 54, 55, 56	EX8			
		1	3, 7		02, 06	EX8			
		1	3, 7		12, 15, 16	EX8			
		1	2, 6		01, 02, 06	EX8			
		1	2, 6		11, 12, 14, 15, 16	EX8			
10									DUCT
	05189027AA	1	2, 6		11, 12, 14, 15, 16	EX8			
		1	2, 6		51, 52, 54, 55, 56	EX8			
		1	3, 7		12, 15, 16	EX8			
11									SEAL
	05124788AA	1	2, 6		01, 02, 06	EX8			Left
		1	2, 6		11, 12, 14, 15, 16	EX8			Left
		1	3, 7		12, 15, 16	EX8			Left
	05124789AA	1	2, 6		01, 02, 06	EX8			Right
		1	2, 6		11, 12, 14, 15, 16	EX8			Right
		1	2, 6		51, 52, 54, 55, 56	EX8			Right
		1	3, 7		02, 06	EX8			Right
		1	3, 7		12, 15, 16	EX8			Right

SPRINTER (VA)

SERIES	LINE	BODY	ENGINE	TRANSMISSION
L = LOWLINE	3 = HD DODGE 2WD 8 = HD DODGE 4WD 6 = Lt. Duty DODGE 4WD 2 = Med. Duty DODGE 2WD 7 = Med. Duty DODGE 4WD 4 = TRUCK	01 = CHASSIS FORWARD CONTROL W.B.1 02 = CAB CHASSIS WHEEL BASE 2 06 = CAB CHASSIS WHEEL BASE 6 11 = VAN WHEEL BASE 1 12 = VAN WHEEL BASE 2 51 = WAGON WHEEL BASE 1 52 = WAGON WHEEL BASE 2 14 = VAN WHEEL BASE 4 15 = VAN WHEEL BASE 5 54 = WAGON WHEEL BASE 4 55 = WAGON WHEEL BASE 5 56 = WAGON WHEEL BASE 6 16 = VAN WHEEL BASE 6	EX8 = 2.7L I5 Turbo Diesel Engine EX9 = 2.7L I5 Mercedes-Benz TD Engine	DGJ = 5-Speed Automatic MB Transmission DGZ = 4-Spd. Automatic MT643 Transmission

AR = use ase required - = Non illustrated part

Air Ducts And Outlets, Front
Figure 24-630



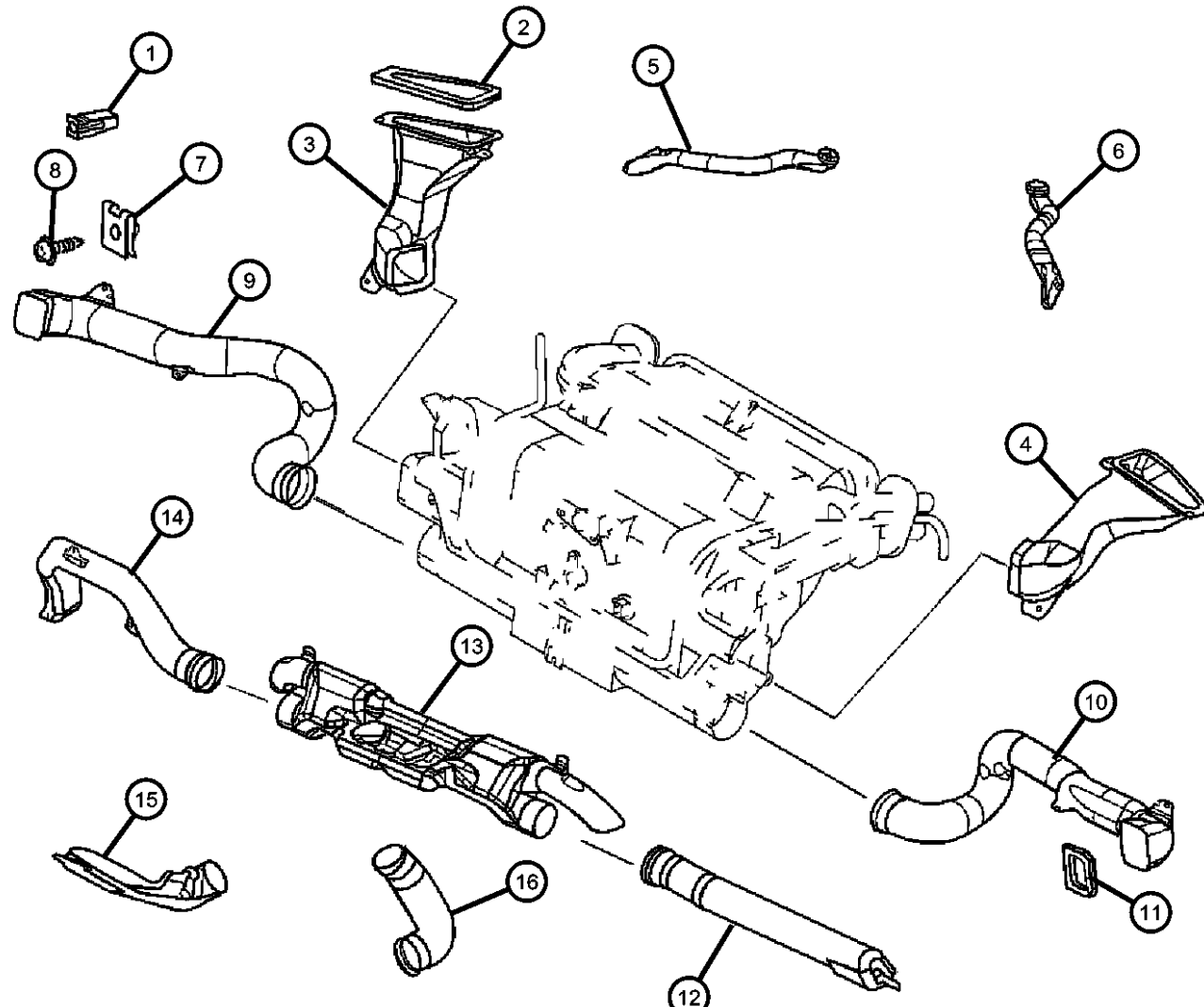
ITEM	PART NUMBER	QTY	LINE	SERIES	BODY	ENGINE	TRANS	TRIM	DESCRIPTION
		1	2, 6		51, 52, 54, 55, 56	EX8			Left
		1	3, 7		02, 06	EX8			Left
12	05124740AA	1	2, 6		01, 02, 06	EX8			DUCT
		1	2, 6		11, 12, 14, 15, 16	EX8			
		1	2, 6		51, 52, 54, 55, 56	EX8			
		1	3, 7		02, 06	EX8			
		1	3, 7		12, 15, 16	EX8			
13	05124737AA	1	2, 6		51, 52, 54, 55, 56	EX8			DUCT
		1	3, 7		02, 06	EX8			
		1	3, 7		12, 15, 16	EX8			
		1	2, 6		01, 02, 06	EX8			
		1	2, 6		11, 12, 14, 15, 16	EX8			
14	05124739AA	1	2, 6		01, 02, 06	EX8			DUCT
		1	2, 6		11, 12, 14, 15, 16	EX8			
		1	2, 6		51, 52, 54, 55, 56	EX8			
		1	3, 7		02, 06	EX8			
		1	3, 7		12, 15, 16	EX8			
15	05124748AA	1	2, 6		01, 02, 06	EX8			DUCT
		1	2, 6		11, 12, 14, 15, 16	EX8			

SPRINTER (VA)

SERIES	LINE	BODY	ENGINE	TRANSMISSION
L = LOWLINE	3 = HD DODGE 2WD 8 = HD DODGE 4WD 6 = Lt. Duty DODGE 4WD 2 = Med. Duty DODGE 2WD 7 = Med. Duty DODGE 4WD 4 = TRUCK	01 = CHASSIS FORWARD CONTROL W.B.1 02 = CAB CHASSIS WHEEL BASE 2 06 = CAB CHASSIS WHEEL BASE 6 11 = VAN WHEEL BASE 1 12 = VAN WHEEL BASE 2 51 = WAGON WHEEL BASE 1 52 = WAGON WHEEL BASE 2 14 = VAN WHEEL BASE 4 15 = VAN WHEEL BASE 5 54 = WAGON WHEEL BASE 4 55 = WAGON WHEEL BASE 5 56 = WAGON WHEEL BASE 6 16 = VAN WHEEL BASE 6	EX8 = 2.7L I5 Turbo Diesel Engine EX9 = 2.7L I5 Mercedes-Benz TD Engine	DGJ = 5-Speed Automatic MB Transmission DGZ = 4-Spd. Automatic MT643 Transmission

AR = use ase required - = Non illustrated part

Air Ducts And Outlets, Front
Figure 24-630



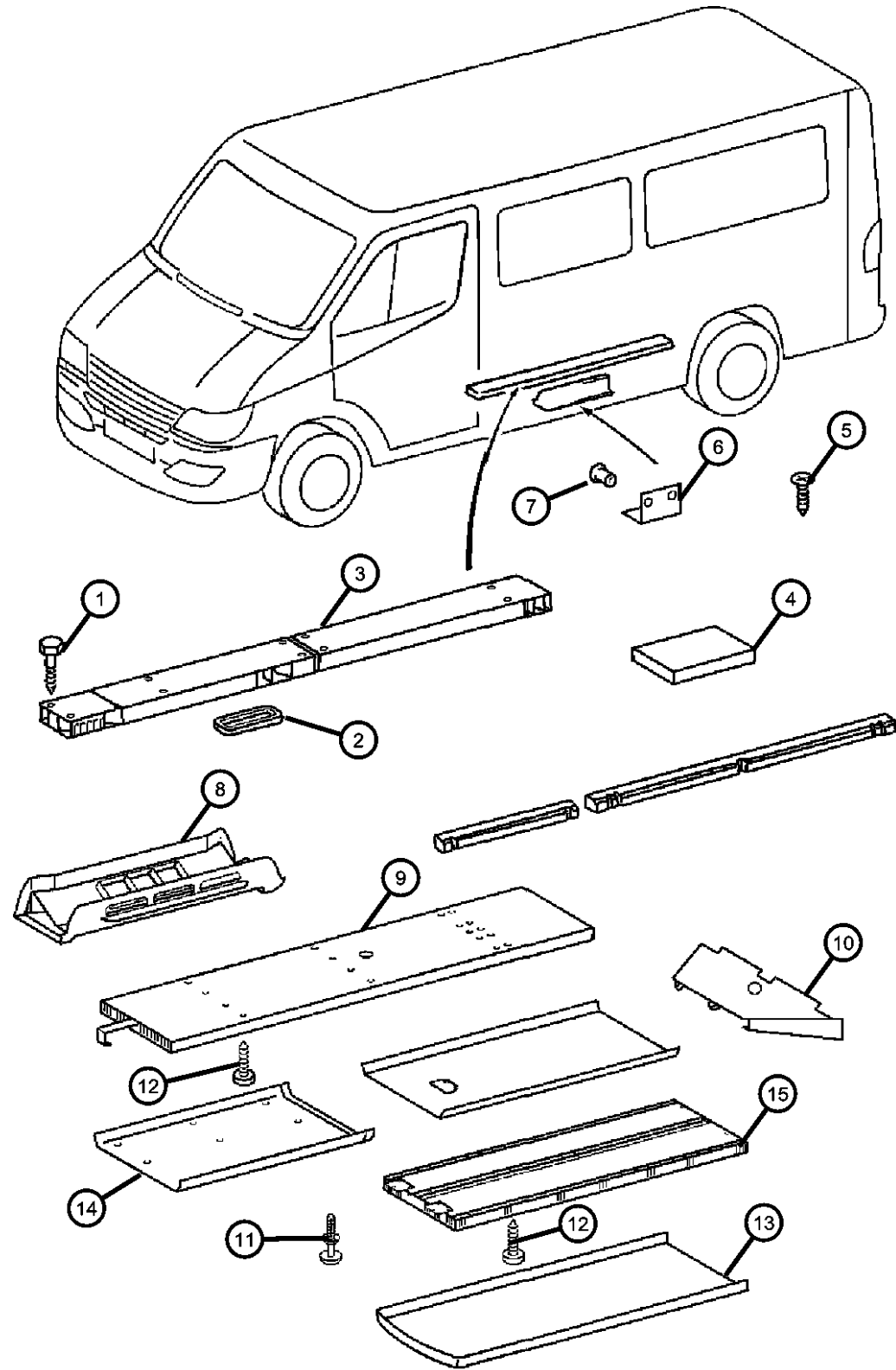
ITEM	PART NUMBER	QTY	LINE	SERIES	BODY	ENGINE	TRANS	TRIM	DESCRIPTION
		1	2, 6		51, 52, 54, 55, 56	EX8			
		1	3, 7		02, 06	EX8			
		1	3, 7		12, 15, 16	EX8			
16	05124747AA	1	2, 6		01, 02, 06	EX8			DUCT
		1	2, 6		11, 12, 14, 15, 16	EX8			
		1	2, 6		51, 52, 54, 55, 56	EX8			
		1	3, 7		02, 06	EX8			
		1	3, 7		12, 15, 16	EX8			

SPRINTER (VA)

SERIES	LINE	BODY	ENGINE	TRANSMISSION
L = LOWLINE	3 = HD DODGE 2WD 8 = HD DODGE 4WD 6 = Lt. Duty DODGE 4WD 2 = Med. Duty DODGE 2WD 7 = Med. Duty DODGE 4WD 4 = TRUCK	01 = CHASSIS FORWARD CONTROL W.B.1 02 = CAB CHASSIS WHEEL BASE 2 06 = CAB CHASSIS WHEEL BASE 6 11 = VAN WHEEL BASE 1 12 = VAN WHEEL BASE 2 51 = WAGON WHEEL BASE 1 52 = WAGON WHEEL BASE 2 14 = VAN WHEEL BASE 4 15 = VAN WHEEL BASE 5 54 = WAGON WHEEL BASE 4 55 = WAGON WHEEL BASE 5 56 = WAGON WHEEL BASE 6 16 = VAN WHEEL BASE 6	EX8 = 2.7L I5 Turbo Diesel Engine EX9 = 2.7L I5 Mercedes-Benz TD Engine	DGJ = 5-Speed Automatic MB Transmission DGZ = 4-Spd. Automatic MT643 Transmission

AR = use ase required - = Non illustrated part

Air Ducts And Outlets, Rear
Figure 24-640



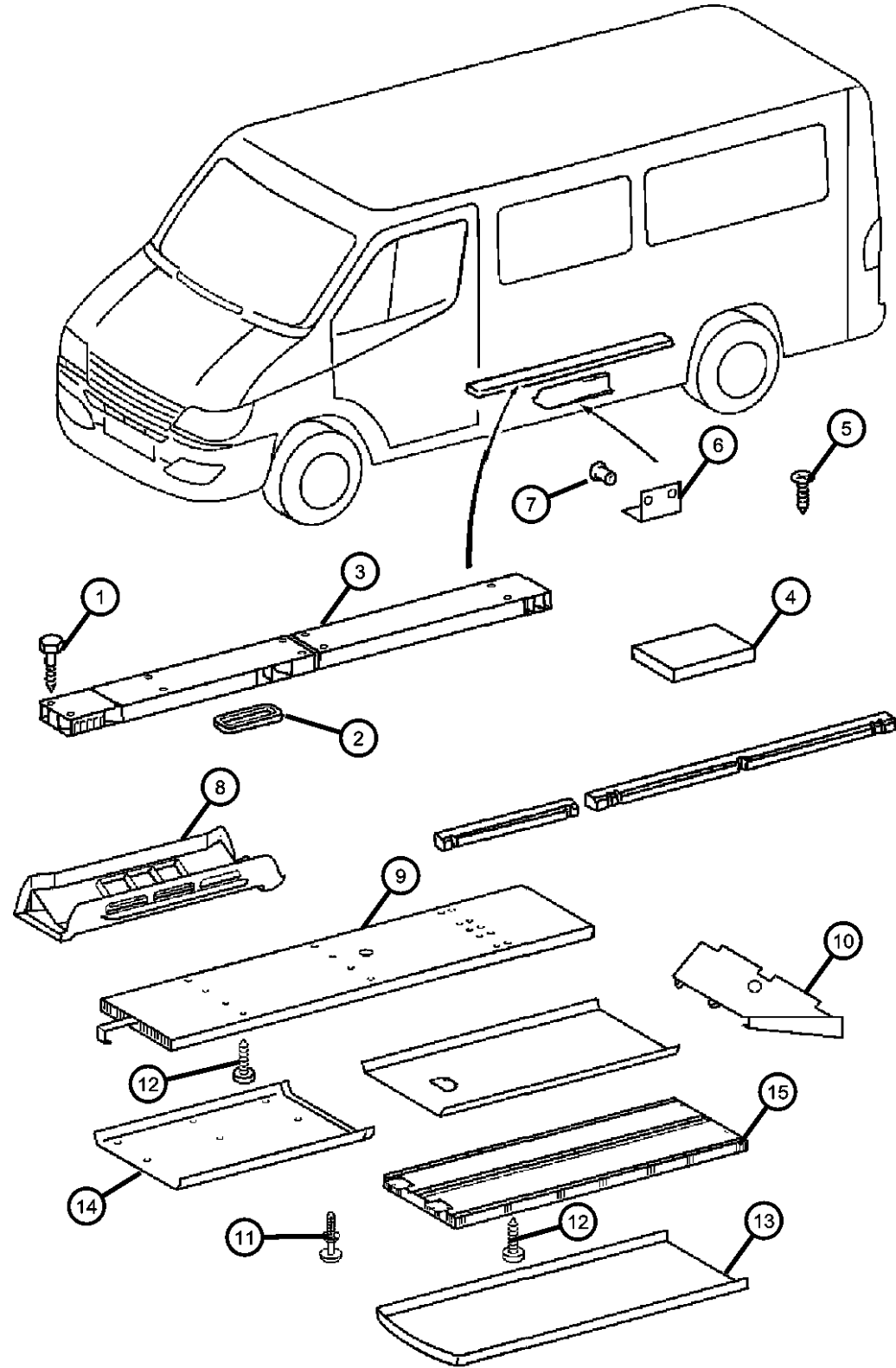
ITEM	PART NUMBER	QTY	LINE	SERIES	BODY	ENGINE	TRANS	TRIM	DESCRIPTION
1	05126093AA	10	2, 6		12, 15	EX8			SCREW
		6	2, 6		11, 14	EX8			
		10	2, 6		52, 55	EX8			
		6	2, 6		51, 54	EX8			
		10	3, 7		12, 15, 16	EX8			
2	05102646AA	1	2, 6		01, 02, 06	EX8			SEAL
	05124763AA	1	2, 6		11, 12, 14, 15, 16	EX8			
		1	2, 6		51, 52, 54, 55, 56	EX8			
3	05124655AA	1	2, 6		12, 15	EX8			HOUSING, Air Duct
		1	2, 6		52, 55	EX8			Front
		1	3, 7		12, 15, 16	EX8			Front
	05124656AA	1	2, 6		12, 15	EX8			Rear
		1	2, 6		52, 55	EX8			Rear
		1	3, 7		12, 15, 16	EX8			Rear
4	05124763AA	1	2, 6		11, 12, 14, 15, 16	EX8			SEAL
		1	2, 6		51, 52, 54, 55, 56	EX8			
		1	3, 7		12, 15, 16	EX8			
5		1							SCREW, (NOT SERVICED)
6		1							BRACKET, (NOT SERVICED)
7	05133417AA	3	2, 6		01, 02, 06	EX8			RIVET, Blind Bulb
		3	2, 6		11, 12, 14, 15, 16	EX8			

SPRINTER (VA)

SERIES	LINE	BODY	ENGINE	TRANSMISSION
L = LOWLINE	3 = HD DODGE 2WD 8 = HD DODGE 4WD 6 = Lt. Duty DODGE 4WD 2 = Med. Duty DODGE 2WD 7 = Med. Duty DODGE 4WD 4 = TRUCK	01 = CHASSIS FORWARD CONTROL W.B.1 02 = CAB CHASSIS WHEEL BASE 2 06 = CAB CHASSIS WHEEL BASE 6 11 = VAN WHEEL BASE 1 12 = VAN WHEEL BASE 2 51 = WAGON WHEEL BASE 1 52 = WAGON WHEEL BASE 2 14 = VAN WHEEL BASE 4 15 = VAN WHEEL BASE 5 54 = WAGON WHEEL BASE 4 55 = WAGON WHEEL BASE 5 56 = WAGON WHEEL BASE 6 16 = VAN WHEEL BASE 6	EX8 = 2.7L I5 Turbo Diesel Engine EX9 = 2.7L I5 Mercedes-Benz TD Engine	DGJ = 5-Speed Automatic MB Transmission DGZ = 4-Spd. Automatic MT643 Transmission

AR = use ase required - = Non illustrated part

Air Ducts And Outlets, Rear
Figure 24-640



ITEM	PART NUMBER	QTY	LINE	SERIES	BODY	ENGINE	TRANS	TRIM	DESCRIPTION
		3	2, 6		51, 52, 54, 55, 56	EX8			
		3	3, 7		12, 15, 16	EX8			
8		3							INSULATOR, (NOT SERVICED)
9	05132290AA	1	2, 6		11, 12, 14, 15, 16	EX8			AIR DUCT
		1	2, 6		51, 52, 54, 55, 56	EX8			
10	05132312AA	1	2, 6		51, 52, 54, 55, 56	EX8			AIR DUCT
		1	3, 7		12, 15, 16	EX8			
		1	2, 6		11, 12, 14, 15, 16	EX8			
11	05104541AA	2	2, 6		11, 12, 14, 15, 16	EX8			RIVET
		2	2, 6		51, 52, 54, 55, 56	EX8			
		2	3, 7		12, 15	EX8			
12	05133449AA	20	2, 6		51, 52, 54, 55, 56	EX8			SCREW, Self-Tapping
		20	2, 6		11, 12, 14, 15, 16	EX8			
13	05104482AA	1	2, 6		11, 12, 14, 15, 16	EX8			HOUSING, Air Duct
		1	2, 6		51, 52, 54, 55, 56	EX8			
14	05132291AA	1	2, 6		11, 12, 14, 15, 16	EX8			AIR DUCT

SPRINTER (VA)

SERIES

L = LOWLINE
 3 = HD DODGE 2WD
 8 = HD DODGE 4WD
 6 = Lt. Duty DODGE 4WD
 2 = Med. Duty DODGE 2WD
 7 = Med. Duty DODGE 4WD
 4 = TRUCK

LINE

BODY

01 = CHASSIS FORWARD CONTROL W.B.1
 02 = CAB CHASSIS WHEEL BASE 2
 06 = CAB CHASSIS WHEEL BASE 6
 11 = VAN WHEEL BASE 1
 12 = VAN WHEEL BASE 2
 51 = WAGON WHEEL BASE 1
 52 = WAGON WHEEL BASE 2
 14 = VAN WHEEL BASE 4
 15 = VAN WHEEL BASE 5
 54 = WAGON WHEEL BASE 4
 55 = WAGON WHEEL BASE 5
 56 = WAGON WHEEL BASE 6
 16 = VAN WHEEL BASE 6

ENGINE

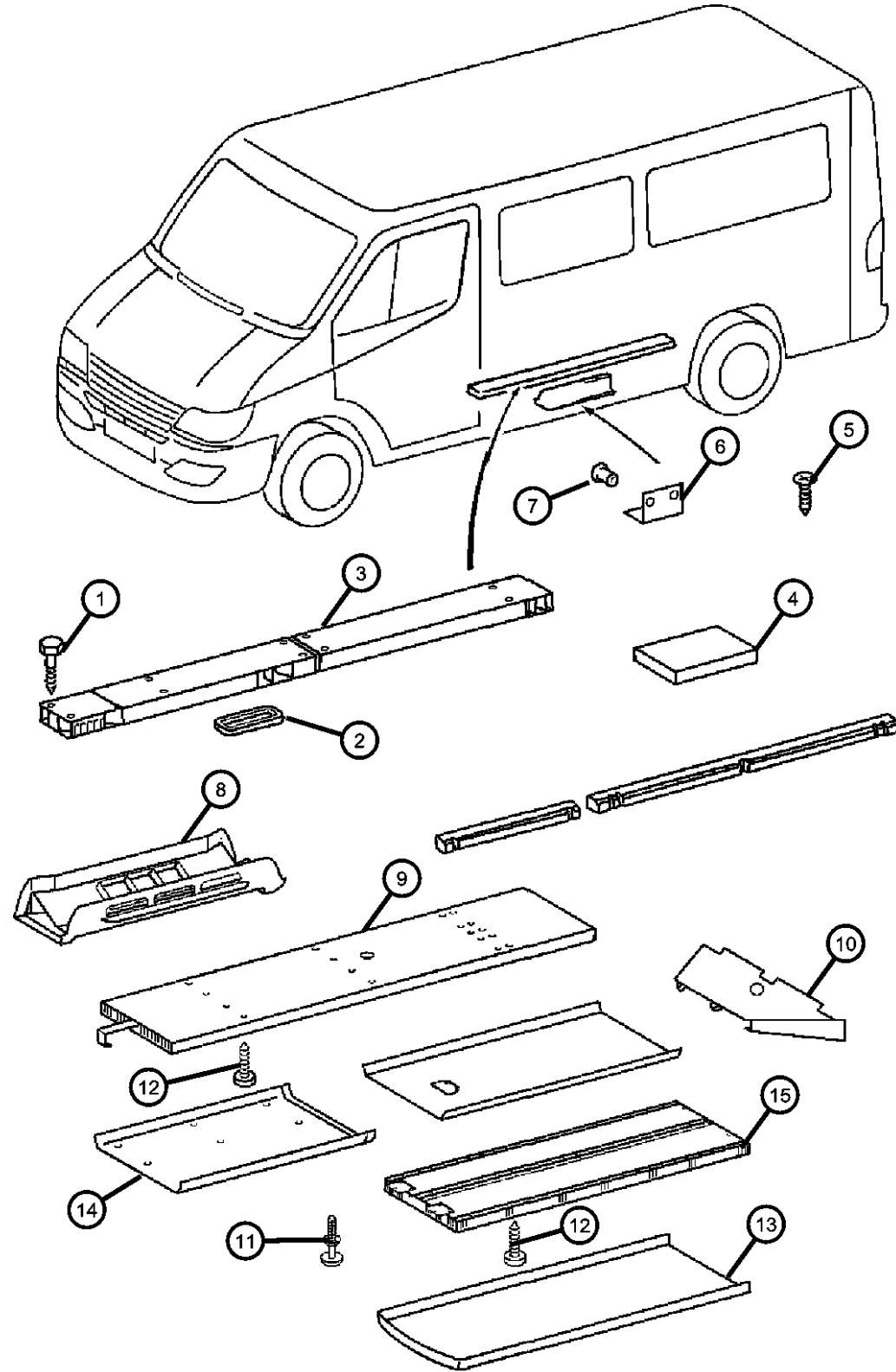
EX8 = 2.7L I5 Turbo Diesel Engine
 EX9 = 2.7L I5 Mercedes-Benz TD Engine

TRANSMISSION

DGJ = 5-Speed Automatic MB Transmission
 DGZ = 4-Spd. Automatic MT643 Transmission

AR = use ase required - = Non illustrated part

Air Ducts And Outlets, Rear
Figure 24-640



ITEM	PART NUMBER	QTY	LINE	SERIES	BODY	ENGINE	TRANS	TRIM	DESCRIPTION
15		1	2, 6		51, 52, 54, 55, 56	EX8			AIR DUCT
	05132292AA	1	2, 6		11, 12, 14, 15, 16	EX8			
-16		1	2, 6		51, 52, 54, 55, 56	EX8			SPRING, Filter
	05133453AA	8	2, 6		14, 15, 16	EX8			
		8	2, 6		52, 55	EX8			
		8	3, 7		15, 16	EX8			

SPRINTER (VA)

SERIES
L = LOWLINE

LINE

3 = HD DODGE 2WD
8 = HD DODGE 4WD
6 = Lt. Duty DODGE 4WD
2 = Med. Duty DODGE 2WD
7 = Med. Duty DODGE 4WD
4 = TRUCK

BODY

01 = CHASSIS FORWARD CONTROL W.B.1
02 = CAB CHASSIS WHEEL BASE 2
06 = CAB CHASSIS WHEEL BASE 6
11 = VAN WHEEL BASE 1
12 = VAN WHEEL BASE 2
51 = WAGON WHEEL BASE 1
52 = WAGON WHEEL BASE 2
14 = VAN WHEEL BASE 4
15 = VAN WHEEL BASE 5
54 = WAGON WHEEL BASE 4
55 = WAGON WHEEL BASE 5
56 = WAGON WHEEL BASE 6
16 = VAN WHEEL BASE 6

ENGINE

EX8 = 2.7L I5 Turbo Diesel Engine
EX9 = 2.7L I5 Mercedes-Benz TD Engine

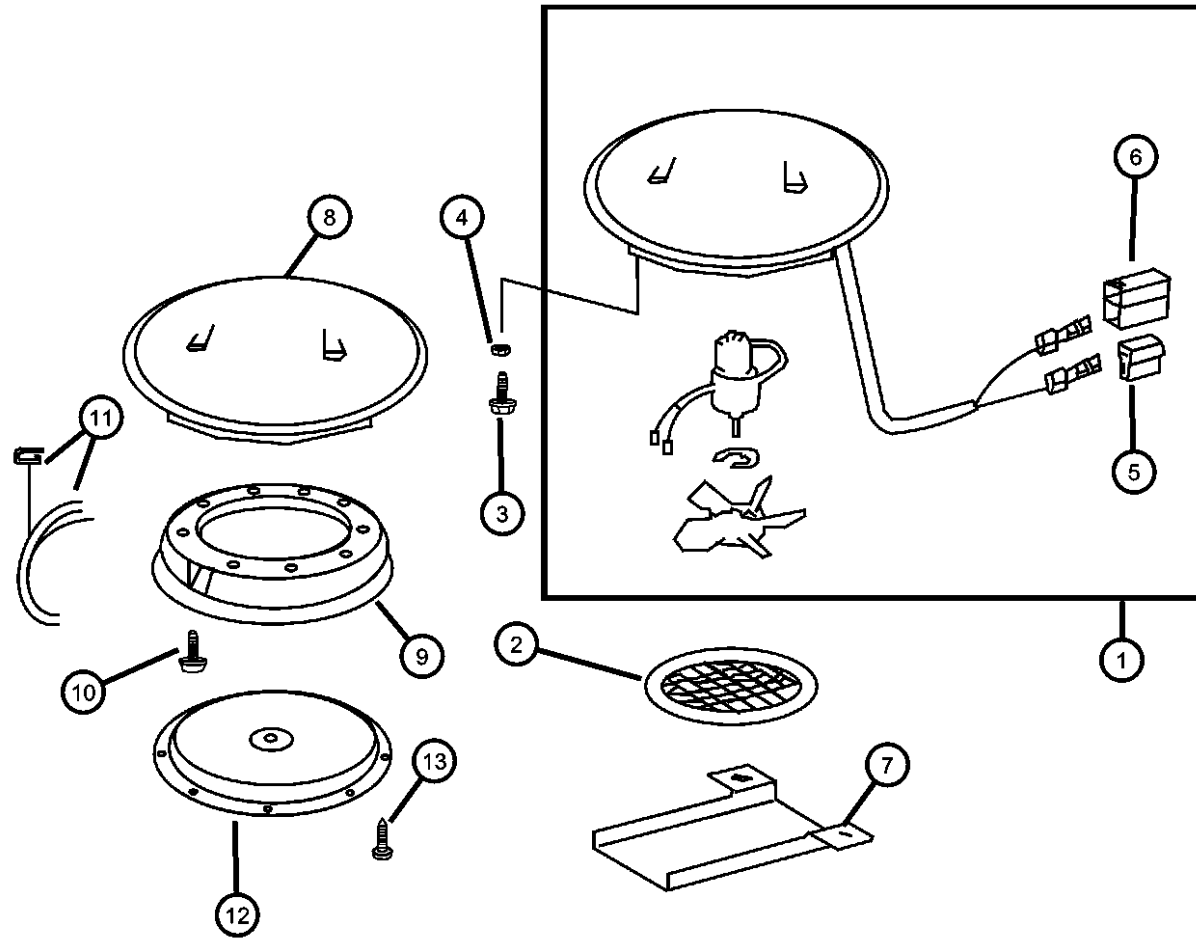
TRANSMISSION

DGJ = 5-Speed Automatic MB Transmission
DGZ = 4-Spd. Automatic MT643 Transmission

AR = use ase required - = Non illustrated part

2006 VA

Ventilator, Roof Vent
Figure 24-650



ITEM	PART NUMBER	QTY	LINE	SERIES	BODY	ENGINE	TRANS	TRIM	DESCRIPTION
1	05103696AA	1	2, 6		11, 12, 14, 15, 16	EX8			FAN Roof Ventilator Fan Assembly / With [NHX] Sales Code
		1	3, 7		12, 15, 16	EX8			Roof Ventilator Fan Assembly / With [NHX] Sales Code
2	05133638AA	1	2, 6		11, 12, 14, 15, 16	EX8			GRILLE, Vent With [NHX]
		1	3, 7		12, 15, 16	EX8			With [NHX]
3	05126198AA	9	2, 6		11, 12, 14, 15, 16	EX8			BOLT, M6x20 With [NHX]
		9	3, 7		12, 15, 16	EX8			With [NHX]
4	05098361AA	9	2, 6		11, 12, 14, 15, 16	EX8			NUT, Hex With [NHX]
		9	3, 7		12, 15, 16	EX8			With [NHX]
5	05103754AA	1	2, 6		11, 12, 14, 15, 16	EX8			INSULATOR, 2 Way Female With [NHX]
		1	3, 7		12, 15, 16	EX8			With [NHX]
6	05103751AA	1	2, 6		11, 12, 14, 15, 16	EX8			CONNECTOR With [NHX]
		1	3, 7		12, 15, 16	EX8			With [NHX]
7	05124790AA	1	2, 6		11, 12, 14, 15, 16	EX8			COVER, Bracket With [NHX]
		1	3, 7		12, 15, 16	EX8			With [NHX]

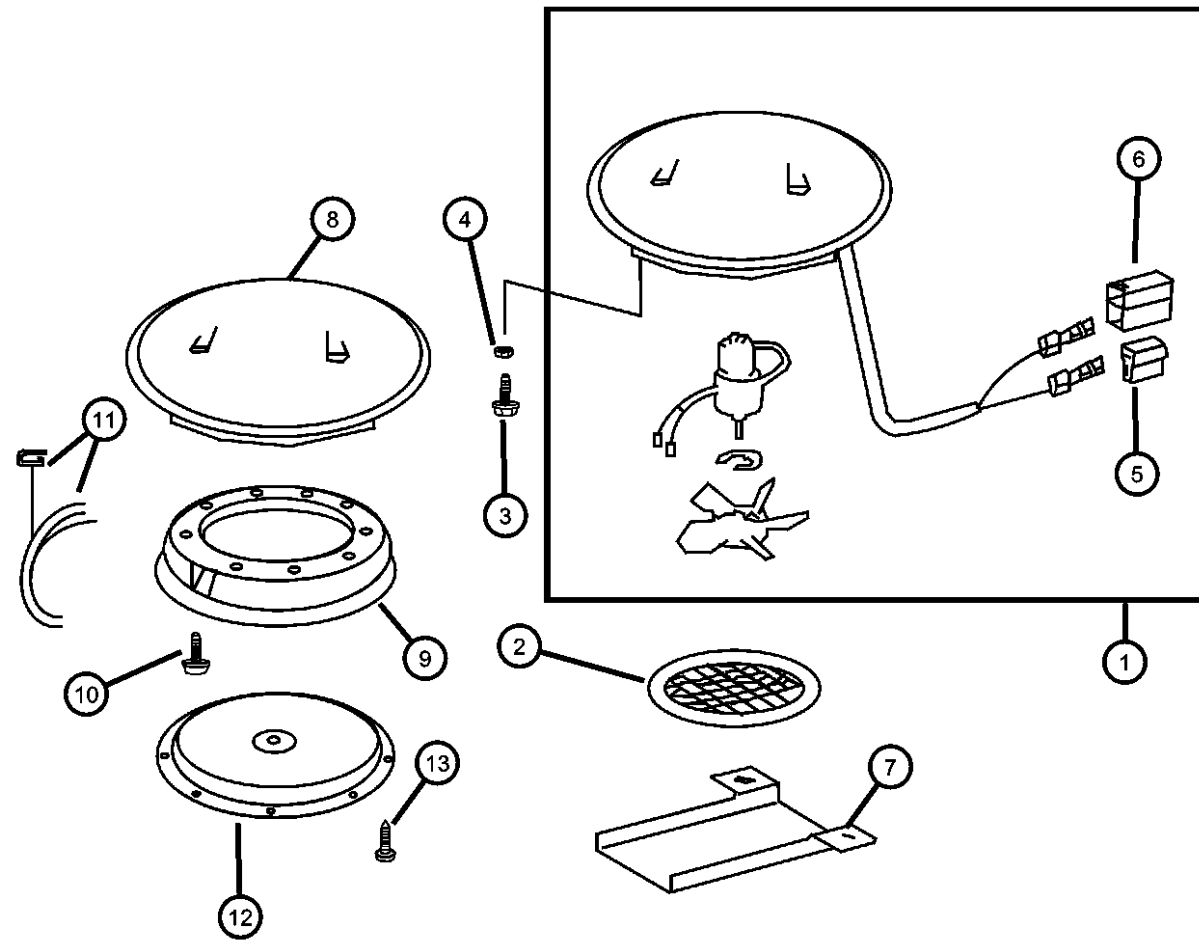
SPRINTER (VA)

SERIES	LINE	BODY	ENGINE	TRANSMISSION
L = LOWLINE	3 = HD DODGE 2WD 8 = HD DODGE 4WD 6 = Lt. Duty DODGE 4WD 2 = Med. Duty DODGE 2WD 7 = Med. Duty DODGE 4WD 4 = TRUCK	01 = CHASSIS FORWARD CONTROL W.B.1 02 = CAB CHASSIS WHEEL BASE 2 06 = CAB CHASSIS WHEEL BASE 6 11 = VAN WHEEL BASE 1 12 = VAN WHEEL BASE 2 51 = WAGON WHEEL BASE 1 52 = WAGON WHEEL BASE 2 14 = VAN WHEEL BASE 4 15 = VAN WHEEL BASE 5 54 = WAGON WHEEL BASE 4 55 = WAGON WHEEL BASE 5 56 = WAGON WHEEL BASE 6 16 = VAN WHEEL BASE 6	EX8 = 2.7L I5 Turbo Diesel Engine EX9 = 2.7L I5 Mercedes-Benz TD Engine	DGJ = 5-Speed Automatic MB Transmission DGZ = 4-Spd. Automatic MT643 Transmission

AR = use ase required - = Non illustrated part

2006 VA

Ventilator, Roof Vent
Figure 24-650



ITEM	PART NUMBER	QTY	LINE	SERIES	BODY	ENGINE	TRANS	TRIM	DESCRIPTION
8	05134596AA	1	2, 6		11, 12, 14, 15, 16	EX8			EXHAUSTER, Interior Trim Panel With [NHY]
		1	3, 7		12, 15, 16	EX8			With [NHY]
9	05134597AA	1	2, 6		11, 12, 14, 15, 16	EX8			RETAINER With [NHY]
		1	3, 7		12, 15, 16	EX8			With [NHY]
10	05135207AA	9	2, 3, 6, 7			EX8			SCREW, With [NHY]
11	05135206AA	900	2, 6		11, 12, 14, 15, 16	EX8			WEATHERSTRIP, With [NHY] / Roll Stock - Order As Needed
12	05134596AA	1	2, 6		11, 12, 14, 15, 16	EX8			EXHAUSTER, Interior Trim Panel With [NHY]
		1	3, 7		12, 15, 16	EX8			With [NHY]
13	05126095AA	6	2, 6		11, 12, 14, 15, 16	EX8			SCREW, Tapping With [NHY]
		6	3, 7		12, 15, 16	EX8			With [NHY]

SPRINTER (VA)

SERIES	LINE	BODY	ENGINE	TRANSMISSION
L = LOWLINE	3 = HD DODGE 2WD 8 = HD DODGE 4WD 6 = Lt. Duty DODGE 4WD 2 = Med. Duty DODGE 2WD 7 = Med. Duty DODGE 4WD 4 = TRUCK	01 = CHASSIS FORWARD CONTROL W.B.1 02 = CAB CHASSIS WHEEL BASE 2 06 = CAB CHASSIS WHEEL BASE 6 11 = VAN WHEEL BASE 1 12 = VAN WHEEL BASE 2 51 = WAGON WHEEL BASE 1 52 = WAGON WHEEL BASE 2 14 = VAN WHEEL BASE 4 15 = VAN WHEEL BASE 5 54 = WAGON WHEEL BASE 4 55 = WAGON WHEEL BASE 5 56 = WAGON WHEEL BASE 6 16 = VAN WHEEL BASE 6	EX8 = 2.7L I5 Turbo Diesel Engine EX9 = 2.7L I5 Mercedes-Benz TD Engine	DGJ = 5-Speed Automatic MB Transmission DGZ = 4-Spd. Automatic MT643 Transmission

AR = use ase required - = Non illustrated part

Group - DVA

Doors and Related Parts

Group - DVA Doors and Related Parts

Illustration Title

Group-Fig. No.

Front Door

Door, Front Shell and Hinges.....	Fig. DVA - 110
Door, Front Glass and Regulator Handle.....	Fig. DVA - 120
Door, Front Exterior Handle and Links.....	Fig. DVA - 130

Door, Sliding Cargo

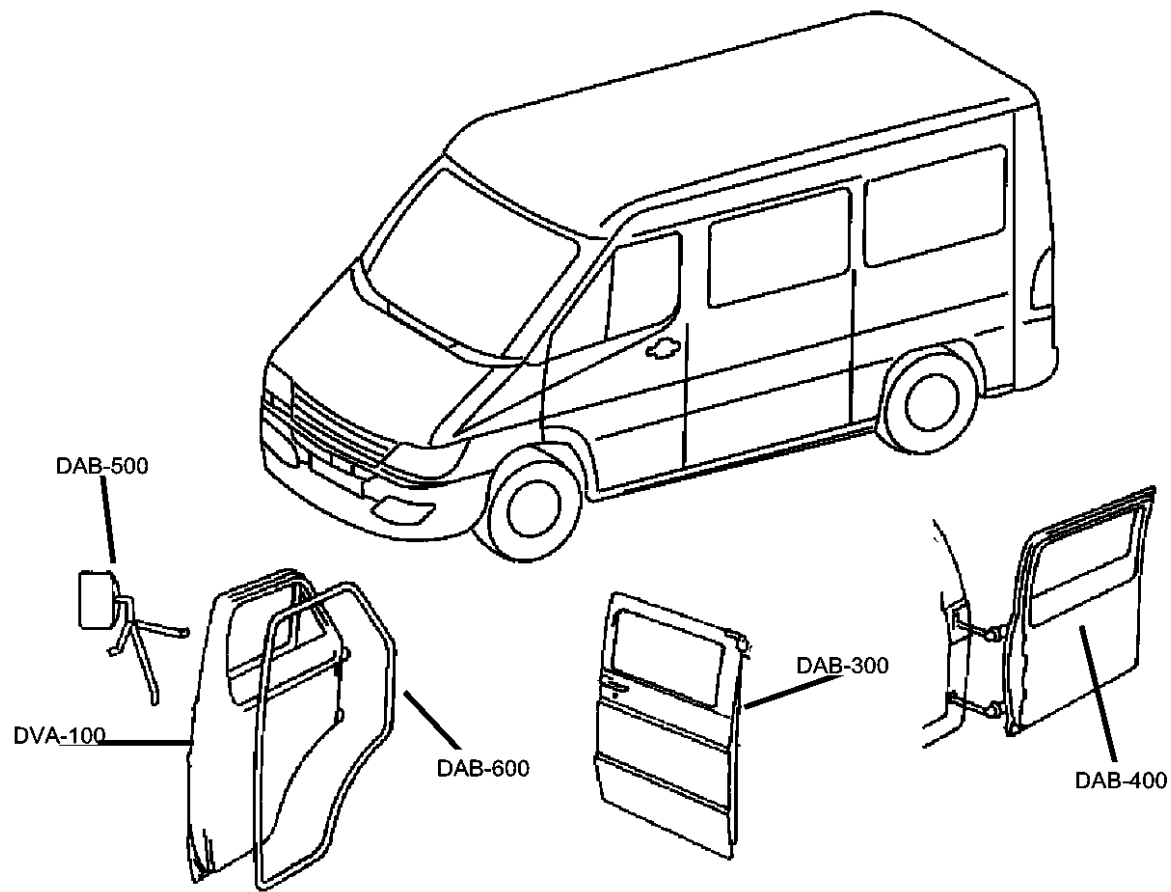
Door, Cargo Sliding Shell and Hinges.....	Fig. DVA - 310
Door, Sliding Cargo Glass.....	Fig. DVA - 320
Door, Sliding Cargo Lock and Controls.....	Fig. DVA - 330

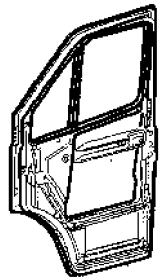
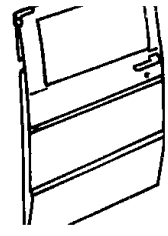
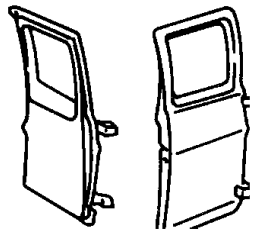
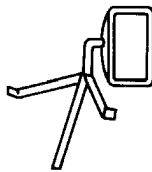
Door, Dual and Single Cargo

Door, Cargo Shell and Hinges.....	Fig. DVA - 410
Door, Cargo Glass and Hardware.....	Fig. DVA - 420
Left Rear Door, Cargo Lock And Control.....	Fig. DVA - 430
Right Rear Door, Cargo Lock And Control.....	Fig. DVA - 440

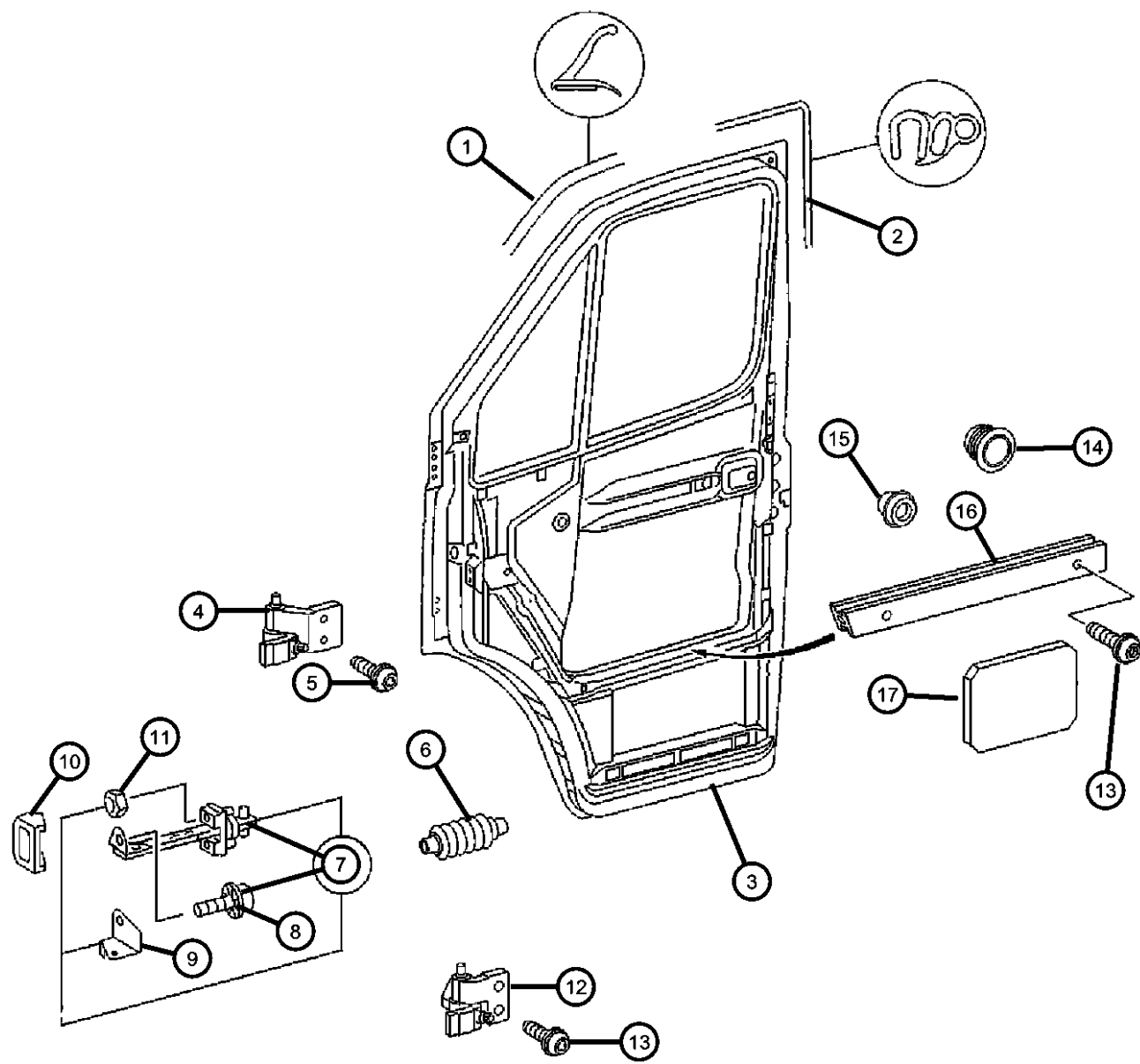
Exterior Mirror

Mirrors, Exterior.....	Fig. DVA - 520
------------------------	----------------



<p>DVA-100 Front Door</p> 	<p>DVA-300 Door, Sliding Cargo</p> 	<p>DVA-400 Door, Dual and Single Cargo</p> 	<p>DVA-500 Exterior Mirror</p> 
--	---	--	---

Door, Front Shell and Hinges
Figure DVA-110



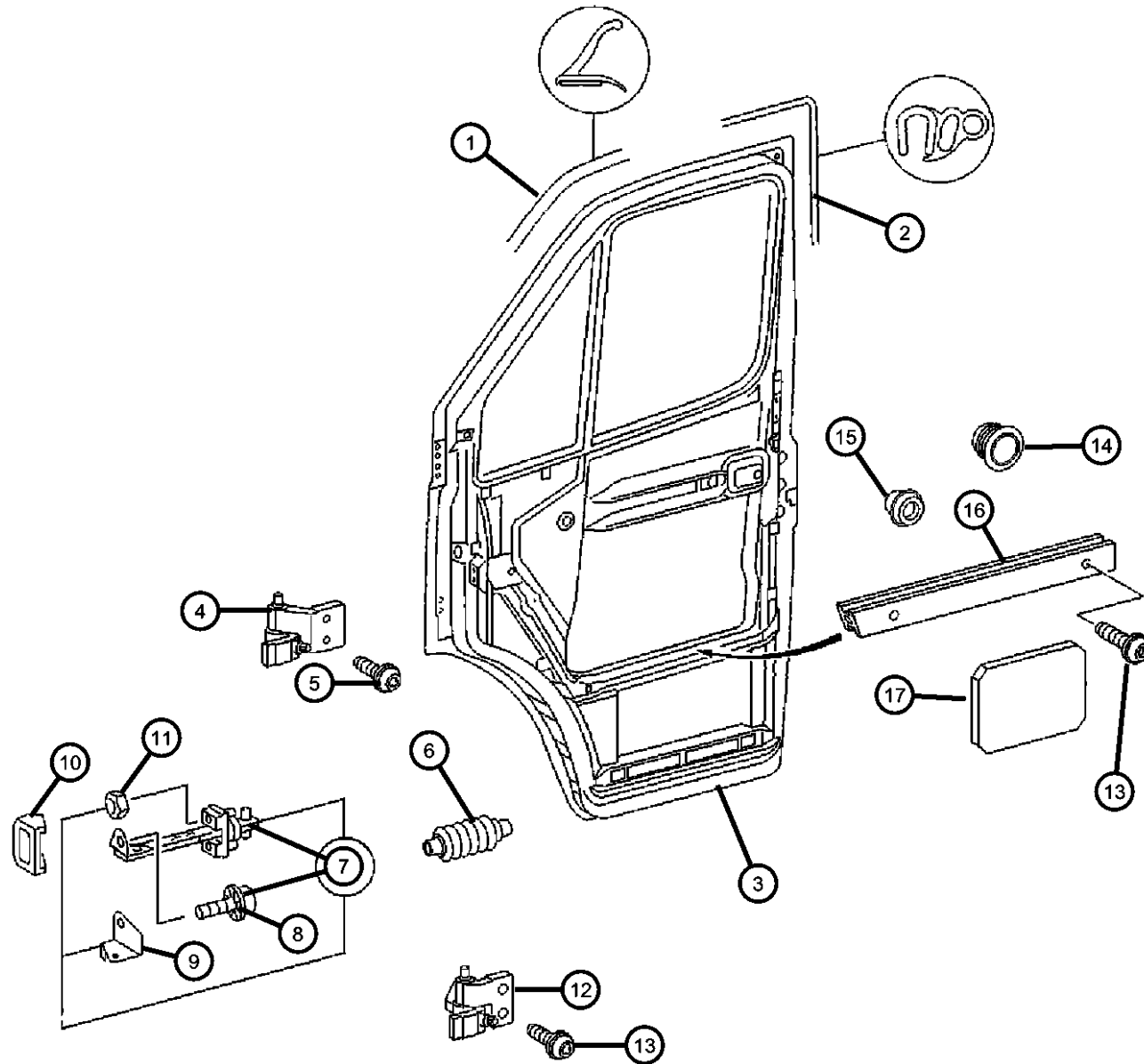
ITEM	PART NUMBER	QTY	LINE	SERIES	BODY	ENGINE	TRANS	TRIM	DESCRIPTION
1									SEAL, Door
	05133518AA	1	2, 6	L	01, 02, 06				
		1	2, 6	L	11, 12, 14, 15, 16				
		1	2, 6	L	51, 52, 54, 55, 56				
		1	3, 7	L	02, 06				
		1	3, 7	L	12, 15, 16				
2									SEAL, Door
	05104301AA	1	2, 6	L	01, 02, 06				Right & Left
		1	2, 6	L	11, 12, 14, 15, 16				Right & Left
		1	2, 6	L	51, 52, 54, 55, 56				Right & Left
		1	3, 7	L	02, 06				Right & Left
		1	3, 7	L	12, 15, 16				Right & Left
3									PANEL, Front Door, Shell
	05135988AA	1	2, 6	L	01, 02, 06				Right
		1	2, 6	L	11, 12, 14, 15, 16				Right
		1	2, 6	L	51, 52, 54, 55, 56				Right
		1	3, 7	L	02, 06				Right
		1	3, 7	L	12, 15, 16				Right
	05135991AA	1	2, 6	L	01, 02, 06				Left
		1	2, 6	L	11, 12, 14, 15, 16				Left
		1	2, 6	L	51, 52, 54, 55, 56				Left
		1	3, 7	L	02, 06				Left
		1	3, 7	L	12, 15, 16				Left
4									HINGE, Door, Upper

SPRINTER (VA)

SERIES	LINE	BODY	ENGINE	TRANSMISSION
L = LOWLINE	3 = HD DODGE 2WD 8 = HD DODGE 4WD 6 = Lt. Duty DODGE 4WD 2 = Med. Duty DODGE 2WD 7 = Med. Duty DODGE 4WD 4 = TRUCK	01 = CHASSIS FORWARD CONTROL W.B.1 02 = CAB CHASSIS WHEEL BASE 2 06 = CAB CHASSIS WHEEL BASE 6 11 = VAN WHEEL BASE 1 12 = VAN WHEEL BASE 2 51 = WAGON WHEEL BASE 1 52 = WAGON WHEEL BASE 2 14 = VAN WHEEL BASE 4 15 = VAN WHEEL BASE 5 54 = WAGON WHEEL BASE 4 55 = WAGON WHEEL BASE 5 56 = WAGON WHEEL BASE 6 16 = VAN WHEEL BASE 6	EX8 = 2.7L I5 Turbo Diesel Engine EX9 = 2.7L I5 Mercedes-Benz TD Engine	DGJ = 5-Speed Automatic MB Transmission DGZ = 4-Spd. Automatic MT643 Transmission

AR = use ase required - = Non illustrated part

Door, Front Shell and Hinges
Figure DVA-110



ITEM	PART NUMBER	QTY	LINE	SERIES	BODY	ENGINE	TRANS	TRIM	DESCRIPTION
	05104321AA	1	2, 6	L	01, 02, 06				Left
		1	2, 6	L	11, 12, 14, 15, 16				Left
		1	2, 6	L	51, 52, 54, 55, 56				Left
		1	3, 7	L	02, 06				Left
		1	3, 7	L	12, 15, 16				Left
	05104324AA	1	2, 6	L	01, 02, 06				Right
		1	2, 6	L	11, 12, 14, 15, 16				Right
		1	2, 6	L	51, 52, 54, 55, 56				Right
		1	3, 7	L	02, 06				Right
		1	3, 7	L	12, 15, 16				Right
5									SCREW
	05103780AA	2	2, 6	L	01, 02, 06				
		2	2, 6	L	11, 12, 14, 15, 16				
		2	2, 6	L	51, 52, 54, 55, 56				
		2	3, 7	L	02, 06				
		2	3, 7	L	12, 15, 16				
6									GROMMET, Door Wiring
	05125915AA	2	2, 6	L	01, 02, 06				
		2	2, 6	L	11, 12, 14, 15, 16				
		2	2, 6	L	51, 52, 54, 55, 56				
		2	3, 7	L	02, 06				
		2	3, 7	L	12, 15, 16				
7									CHECK, Front Door
	05104335AA	1	2, 6	L	01, 02, 06				Left

SPRINTER (VA)

SERIES

L = LOWLINE
 3 = HD DODGE 2WD
 8 = HD DODGE 4WD
 6 = Lt. Duty DODGE 4WD
 2 = Med. Duty DODGE 2WD
 7 = Med. Duty DODGE 4WD
 4 = TRUCK

LINE

BODY

01 = CHASSIS FORWARD CONTROL W.B.1
 02 = CAB CHASSIS WHEEL BASE 2
 06 = CAB CHASSIS WHEEL BASE 6
 11 = VAN WHEEL BASE 1
 12 = VAN WHEEL BASE 2
 51 = WAGON WHEEL BASE 1
 52 = WAGON WHEEL BASE 2
 14 = VAN WHEEL BASE 4
 15 = VAN WHEEL BASE 5
 54 = WAGON WHEEL BASE 4
 55 = WAGON WHEEL BASE 5
 56 = WAGON WHEEL BASE 6
 16 = VAN WHEEL BASE 6

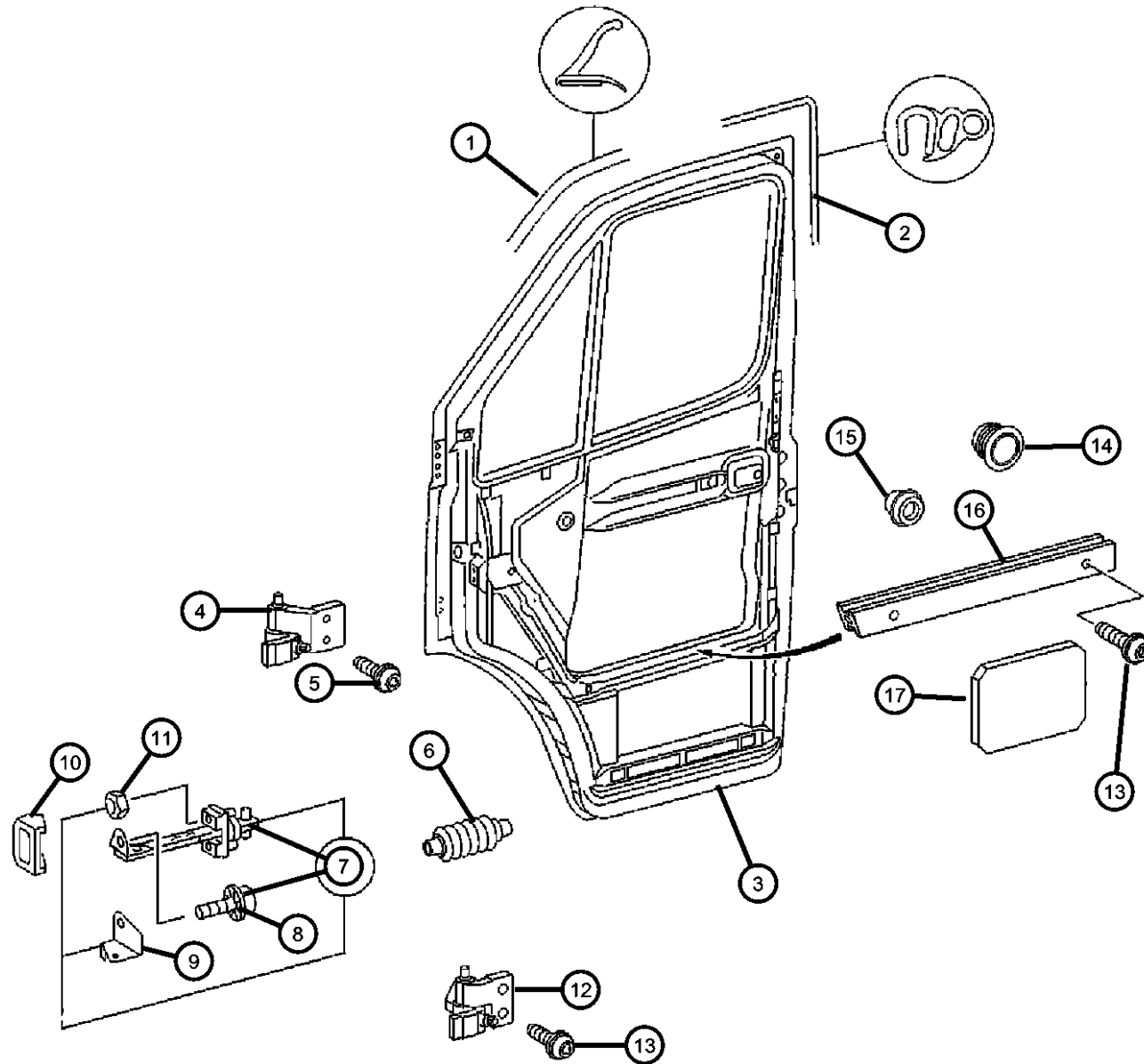
ENGINE

EX8 = 2.7L I5 Turbo Diesel Engine
 EX9 = 2.7L I5 Mercedes-Benz TD Engine

TRANSMISSION

DGJ = 5-Speed Automatic MB Transmission
 DGZ = 4-Spd. Automatic MT643 Transmission

**Door, Front Shell and Hinges
Figure DVA-110**



ITEM	PART NUMBER	QTY	LINE	SERIES	BODY	ENGINE	TRANS	TRIM	DESCRIPTION
		1	2, 6	L	11, 12, 14, 15, 16				Left
		1	2, 6	L	51, 52, 54, 55, 56				Left
		1	3, 7	L	02, 06				Left
		1	3, 7	L	12, 15, 16				Left
	05104338AA	1	2, 6	L	01, 02, 06				Right
		1	2, 6	L	11, 12, 14, 15, 16				Right
		1	2, 6	L	51, 52, 54, 55, 56				Right
		1	3, 7	L	02, 06				Right
		1	3, 7	L	12, 15, 16				Right
8									SCREW
	05103788AA	2	2, 6	L	01, 02, 06				
		2	2, 6	L	11, 12, 14, 15, 16				
		2	2, 6	L	51, 52, 54, 55, 56				
		2	3, 7	L	02, 06				
		2	3, 7	L	12, 15, 16				
9									BRACKET, Check Arm
	05103667AA	1	2, 6	L	01, 02, 06				
		1	2, 6	L	11, 12, 14, 15, 16				
		1	2, 6	L	51, 52, 54, 55, 56				
		1	3, 7	L	02, 06				
		1	3, 7	L	12, 15, 16				
10									SEAL, Front Door
	05123750AA	1	2, 6	L	01, 02, 06				

SPRINTER (VA)

SERIES
L = LOWLINE

LINE

3 = HD DODGE 2WD
8 = HD DODGE 4WD
6 = Lt. Duty DODGE 4WD
2 = Med. Duty DODGE 2WD
7 = Med. Duty DODGE 4WD
4 = TRUCK

BODY

01 = CHASSIS FORWARD CONTROL W.B.1
02 = CAB CHASSIS WHEEL BASE 2
06 = CAB CHASSIS WHEEL BASE 6
11 = VAN WHEEL BASE 1
12 = VAN WHEEL BASE 2
51 = WAGON WHEEL BASE 1
52 = WAGON WHEEL BASE 2
14 = VAN WHEEL BASE 4
15 = VAN WHEEL BASE 5
54 = WAGON WHEEL BASE 4
55 = WAGON WHEEL BASE 5
56 = WAGON WHEEL BASE 6
16 = VAN WHEEL BASE 6

ENGINE

EX8 = 2.7L I5 Turbo Diesel Engine
EX9 = 2.7L I5 Mercedes-Benz TD Engine

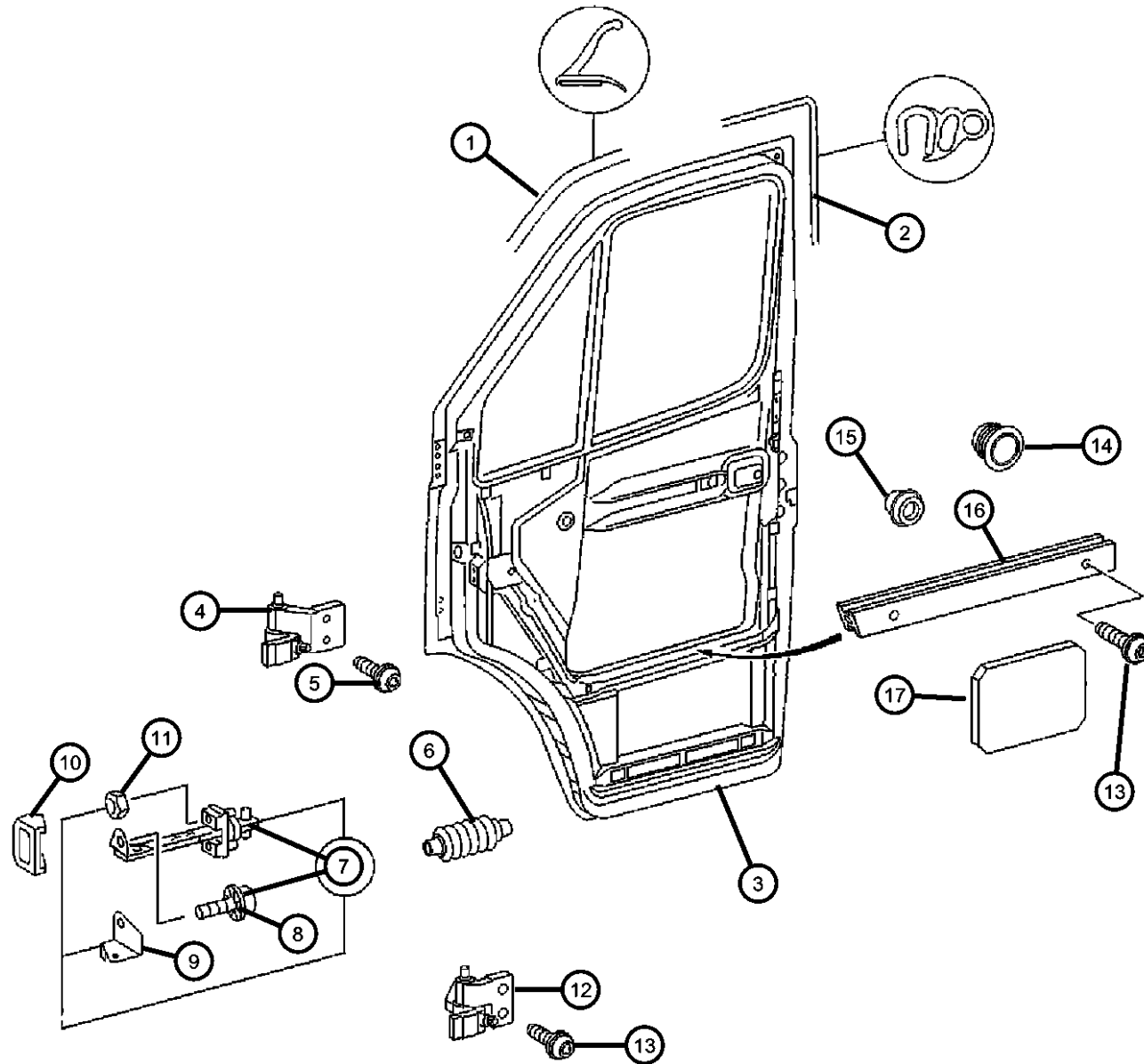
TRANSMISSION

DGJ = 5-Speed Automatic MB Transmission
DGZ = 4-Spd. Automatic MT643 Transmission

AR = use ase required - = Non illustrated part

2006 VA

Door, Front Shell and Hinges
Figure DVA-110



ITEM	PART NUMBER	QTY	LINE	SERIES	BODY	ENGINE	TRANS	TRIM	DESCRIPTION
		1	2, 6	L	11, 12, 14, 15, 16				
		1	2, 6	L	51, 52, 54, 55, 56				
		1	3, 7	L	02, 06				
		1	3, 7	L	12, 15, 16				
11									NUT, Hex, M6
	06104708AA	4	2, 6	L	11, 12, 14, 15, 16				[GKE]
		4	2, 6	L	51, 52, 54, 55, 56				[GKE]
		1	2, 6	L	01, 02, 06				
		4	3, 7	L	12, 15, 16				[GKE]
		2	3, 7	L	02, 06				
12									HINGE, Door, Lower
	05127220AA	1	2, 6	L	01, 02, 06				Right
		1	2, 6	L	11, 12, 14, 15, 16				Right
		1	2, 6	L	51, 52, 54, 55, 56				Right
		1	3, 7	L	02, 06				Right
		1	3, 7	L	12, 15, 16				Right
	05127221AA	1	2, 6	L	01, 02, 06				Left
		1	2, 6	L	11, 12, 14, 15, 16				Left
		1	2, 6	L	51, 52, 54, 55, 56				Left
		1	3, 7	L	02, 06				Left
		1	3, 7	L	12, 15, 16				Left
13									SCREW
	05103781AA	2	2, 6	L	01, 02, 06				

SPRINTER (VA)

SERIES
L = LOWLINE

LINE
3 = HD DODGE 2WD
8 = HD DODGE 4WD
6 = Lt. Duty DODGE 4WD
2 = Med. Duty DODGE 2WD
7 = Med. Duty DODGE 4WD
4 = TRUCK

BODY
01 = CHASSIS FORWARD CONTROL W.B.1
02 = CAB CHASSIS WHEEL BASE 2
06 = CAB CHASSIS WHEEL BASE 6
11 = VAN WHEEL BASE 1
12 = VAN WHEEL BASE 2
51 = WAGON WHEEL BASE 1
52 = WAGON WHEEL BASE 2
14 = VAN WHEEL BASE 4
15 = VAN WHEEL BASE 5
54 = WAGON WHEEL BASE 4
55 = WAGON WHEEL BASE 5
56 = WAGON WHEEL BASE 6
16 = VAN WHEEL BASE 6

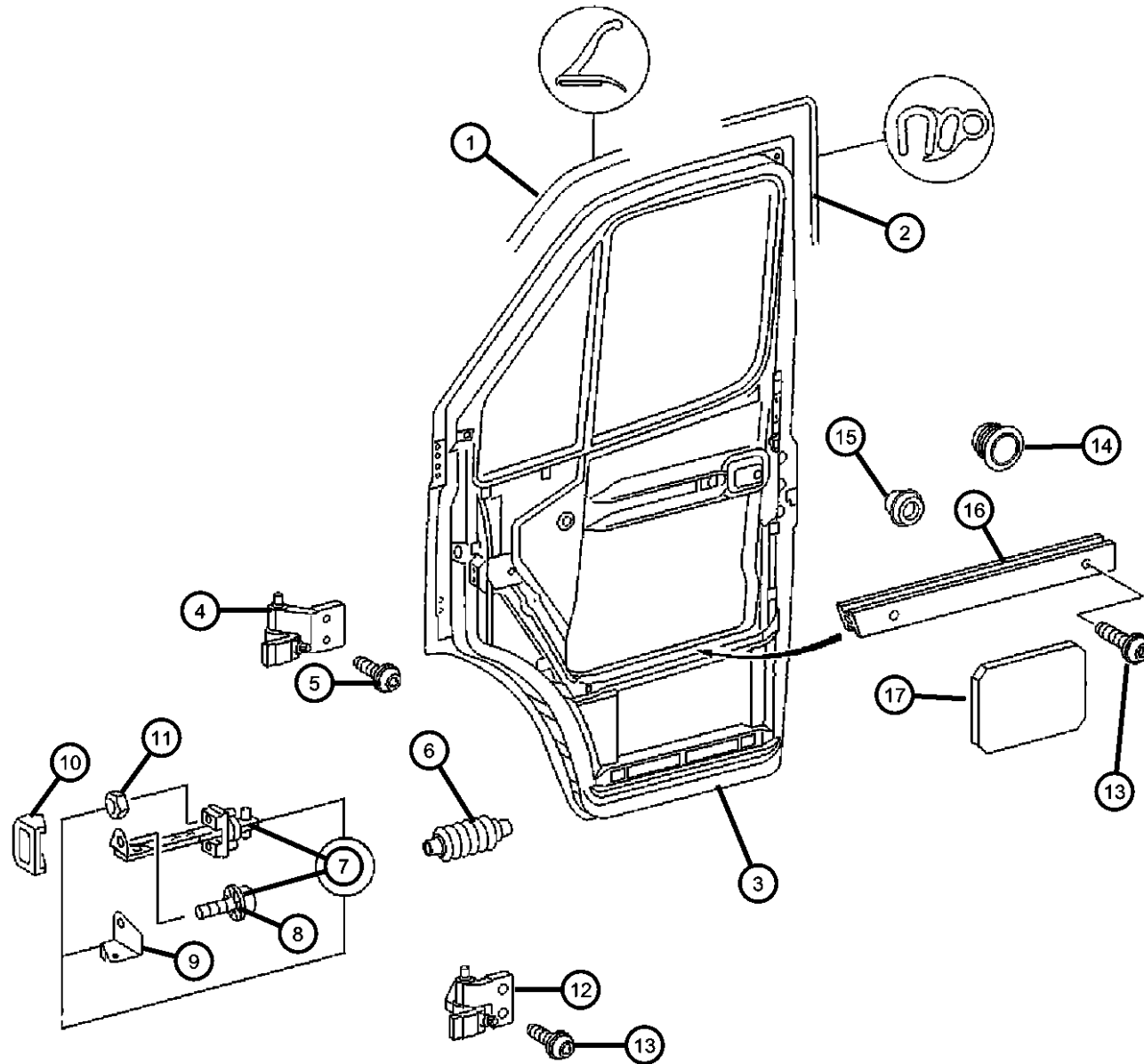
ENGINE
EX8 = 2.7L I5 Turbo Diesel Engine
EX9 = 2.7L I5 Mercedes-Benz TD Engine

TRANSMISSION
DGJ = 5-Speed Automatic MB Transmission
DGZ = 4-Spd. Automatic MT643 Transmission

AR = use ase required - = Non illustrated part

2006 VA

**Door, Front Shell and Hinges
Figure DVA-110**



ITEM	PART NUMBER	QTY	LINE	SERIES	BODY	ENGINE	TRANS	TRIM	DESCRIPTION
		2	2, 6	L	11, 12, 14, 15, 16				
		2	2, 6	L	51, 52, 54, 55, 56				
		2	3, 7	L	02, 06				
		2	3, 7	L	12, 15, 16				
14	05125508AA	1	2, 6	L	11, 12, 14, 15, 16				PLUG, Door [GKE]
		1	2, 6	L	51, 52, 54, 55, 56				[GKE]
		1	3, 7	L	12, 15, 16				[GKE]
15	05133514AA	1	2, 6	L	01, 02, 06				PLUG, Expansion
		1	2, 6	L	11, 12, 14, 15, 16				
		1	2, 6	L	51, 52, 54, 55, 56				
		1	3, 7	L	02, 06				
		1	3, 7	L	12, 15, 16				
16	05123683AA	1	2, 6	L	11, 12, 14, 15, 16				REINFORCEMENT, Door Inner Left
		1	2, 6	L	51, 52, 54, 55, 56				Left
		1	3, 7	L	12, 15, 16				Left
	05123684AA	1	6, 2	L	11, 12, 14, 15, 16				Right
		1	2, 6	L	51, 52, 54, 55, 56				Right
		1	3, 7	L	12, 15, 16				Right
17	05122515AA	2	2, 6	L	01, 02, 06				SHIELD, Door [HGM]

SPRINTER (VA)

SERIES
L = LOWLINE

LINE
3 = HD DODGE 2WD
8 = HD DODGE 4WD
6 = Lt. Duty DODGE 4WD
2 = Med. Duty DODGE 2WD
7 = Med. Duty DODGE 4WD
4 = TRUCK

BODY
01 = CHASSIS FORWARD CONTROL W.B.1
02 = CAB CHASSIS WHEEL BASE 2
06 = CAB CHASSIS WHEEL BASE 6
11 = VAN WHEEL BASE 1
12 = VAN WHEEL BASE 2
51 = WAGON WHEEL BASE 1
52 = WAGON WHEEL BASE 2
14 = VAN WHEEL BASE 4
15 = VAN WHEEL BASE 5
54 = WAGON WHEEL BASE 4
55 = WAGON WHEEL BASE 5
56 = WAGON WHEEL BASE 6
16 = VAN WHEEL BASE 6

ENGINE
EX8 = 2.7L I5 Turbo Diesel Engine
EX9 = 2.7L I5 Mercedes-Benz TD Engine

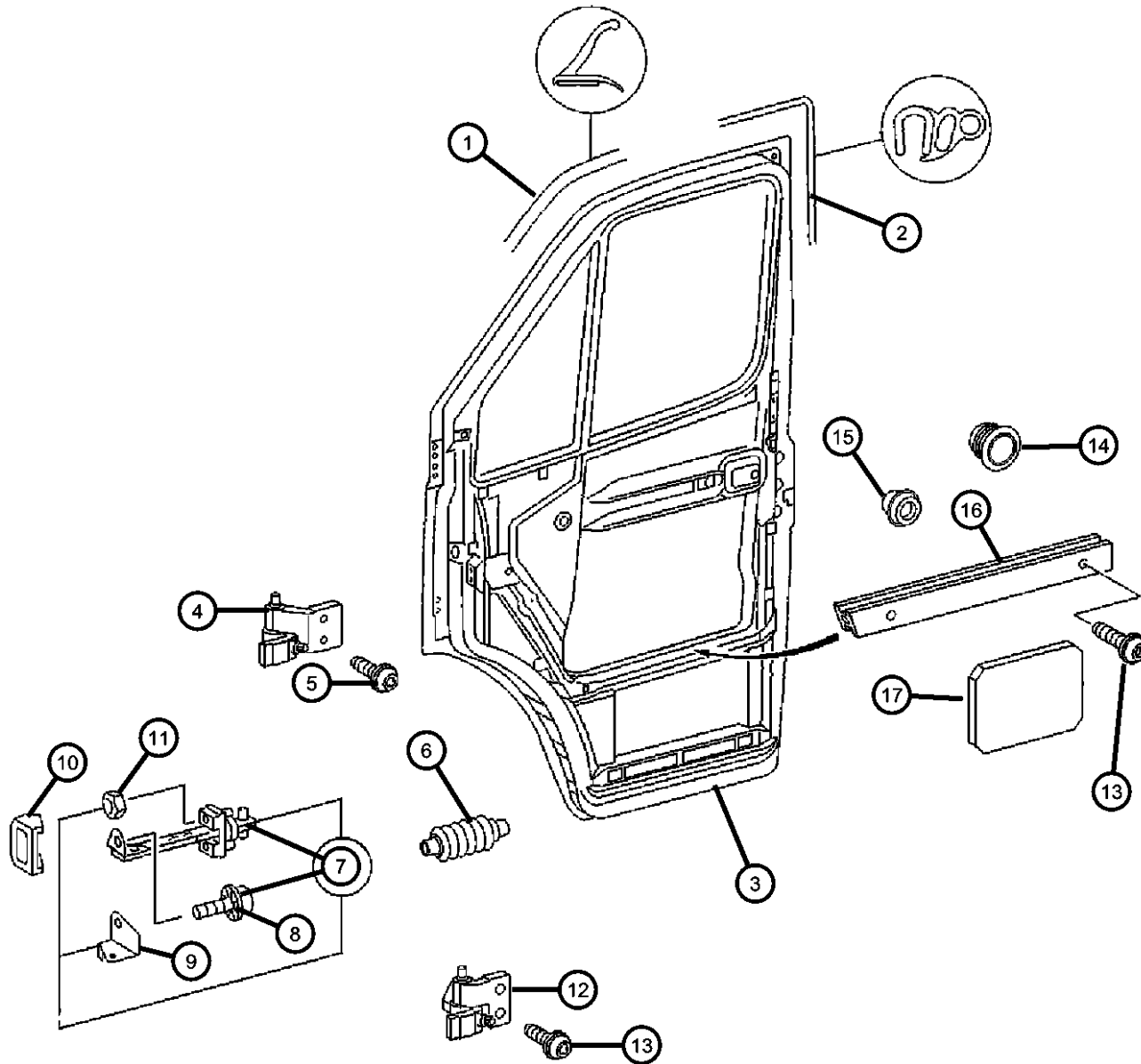
TRANSMISSION
DGJ = 5-Speed Automatic MB Transmission
DGZ = 4-Spd. Automatic MT643 Transmission

AR = use ase required - = Non illustrated part

2006 VA

Door, Front Shell and Hinges
Figure DVA-110

ITEM	PART NUMBER	QTY	LINE	SERIES	BODY	ENGINE	TRANS	TRIM	DESCRIPTION
		2	2, 6	L	11, 12, 14, 15, 16				[HGM]
		2	2, 6	L	51, 52, 54, 55, 56				[HGM]
		2	3, 7	L	02, 06				[HGM]
		2	3, 7	L	12, 15, 16				[HGM]



SPRINTER (VA)

SERIES

L = LOWLINE
 3 = HD DODGE 2WD
 8 = HD DODGE 4WD
 6 = Lt. Duty DODGE 4WD
 2 = Med. Duty DODGE 2WD
 7 = Med. Duty DODGE 4WD
 4 = TRUCK

LINE

BODY

01 = CHASSIS FORWARD CONTROL W.B.1
 02 = CAB CHASSIS WHEEL BASE 2
 06 = CAB CHASSIS WHEEL BASE 6
 11 = VAN WHEEL BASE 1
 12 = VAN WHEEL BASE 2
 51 = WAGON WHEEL BASE 1
 52 = WAGON WHEEL BASE 2
 14 = VAN WHEEL BASE 4
 15 = VAN WHEEL BASE 5
 54 = WAGON WHEEL BASE 4
 55 = WAGON WHEEL BASE 5
 56 = WAGON WHEEL BASE 6
 16 = VAN WHEEL BASE 6

ENGINE

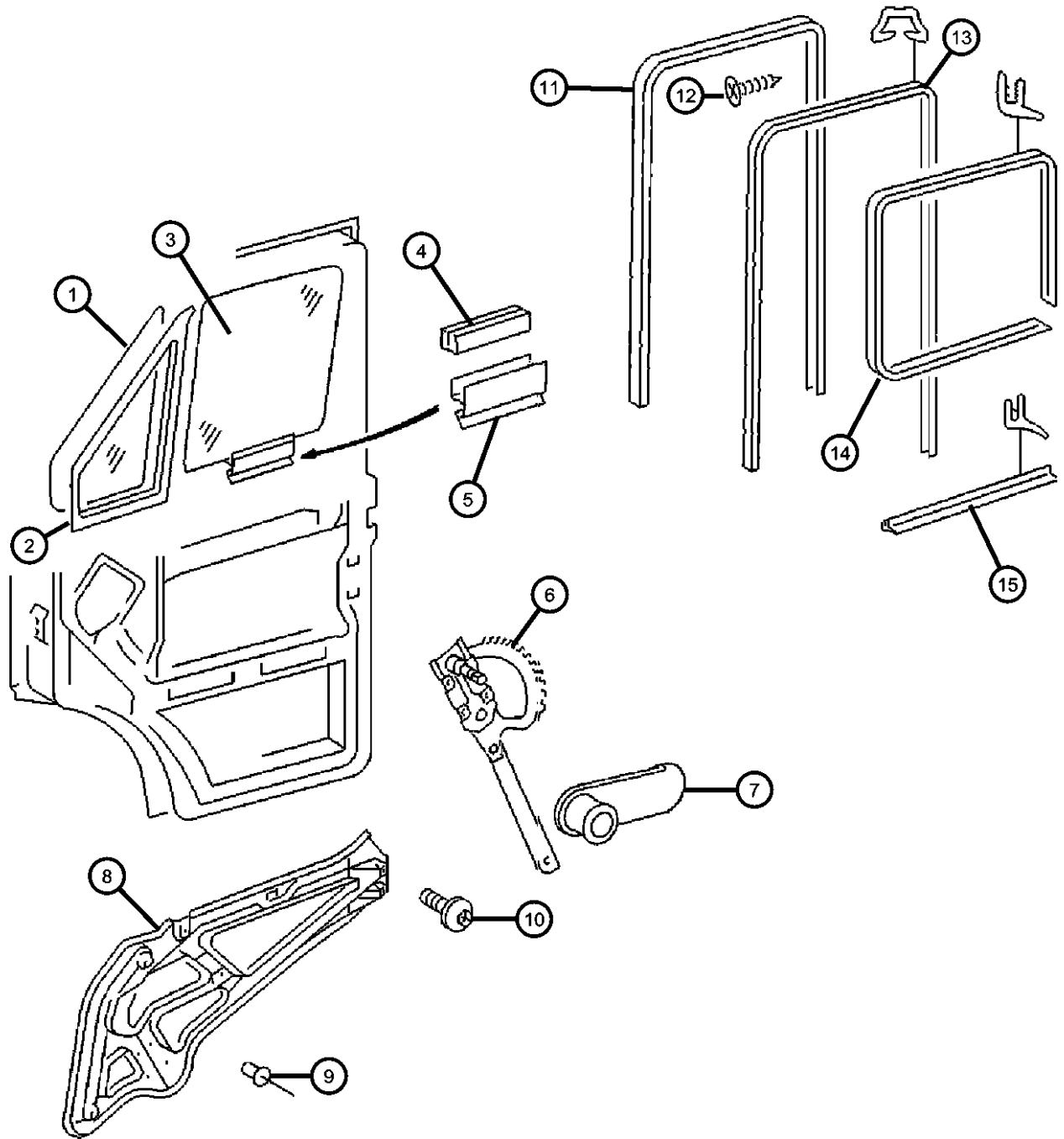
EX8 = 2.7L I5 Turbo Diesel Engine
 EX9 = 2.7L I5 Mercedes-Benz TD Engine

TRANSMISSION

DGJ = 5-Speed Automatic MB Transmission
 DGZ = 4-Spd. Automatic MT643 Transmission

AR = use ase required - = Non illustrated part

**Door, Front Glass and Regulator Handle
Figure DVA-120**



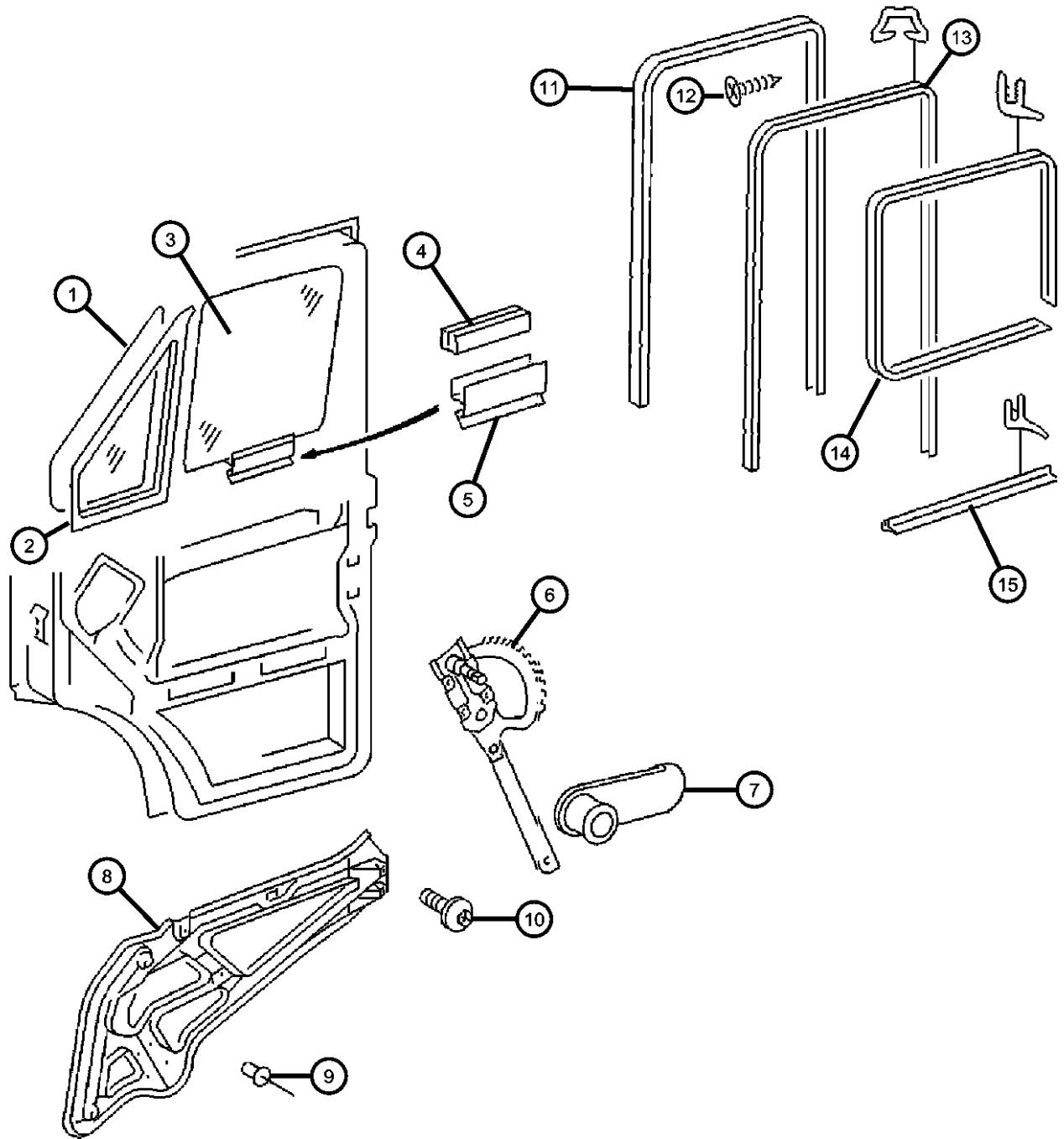
ITEM	PART NUMBER	QTY	LINE	SERIES	BODY	ENGINE	TRANS	TRIM	DESCRIPTION
1									GLASS, Front Door Vent
	05104352AA	1	3, 7	L	02, 06				Left
		1	3, 7	L	12, 15, 16				Left
	05104353AA	1	2, 6	L	01, 02, 06				Right
		1	2, 6	L	01, 02, 06				Left
		1	2, 6	L	11, 12, 14, 15, 16				Left
		1	2, 6	L	51, 52, 54, 55, 56				Left
		1	3, 7	L	12, 15, 16				Right
		1	2, 6	L	11, 12, 14, 15, 16				Right
		1	2, 6	L	51, 52, 54, 55, 56				Right
		1	3, 7	L	02, 06				Right
2									WEATHERSTRIP
	05104348AA	1	2, 6	L	01, 02, 06				Left
		1	2, 6	L	11, 12, 14, 15, 16				Left
		1	2, 6	L	51, 52, 54, 55, 56				Left
		1	3, 7	L	02, 06				Left
		1	3, 7	L	12, 15, 16				Left
	05104350AA	1	2, 6	L	01, 02, 06				Right
		1	2, 6	L	11, 12, 14, 15, 16				Right
		1	2, 6	L	51, 52, 54, 55, 56				Right
		1	3, 7	L	02, 06				Right
		1	3, 7	L	12, 15, 16				Right
3									GLASS, Front Door
	05104334AA	1	2, 6	L	11, 12, 14, 15, 16				Left

SPRINTER (VA)

SERIES	LINE	BODY	ENGINE	TRANSMISSION
L = LOWLINE	3 = HD DODGE 2WD 8 = HD DODGE 4WD 6 = Lt. Duty DODGE 4WD 2 = Med. Duty DODGE 2WD 7 = Med. Duty DODGE 4WD 4 = TRUCK	01 = CHASSIS FORWARD CONTROL W.B.1 02 = CAB CHASSIS WHEEL BASE 2 06 = CAB CHASSIS WHEEL BASE 6 11 = VAN WHEEL BASE 1 12 = VAN WHEEL BASE 2 51 = WAGON WHEEL BASE 1 52 = WAGON WHEEL BASE 2 14 = VAN WHEEL BASE 4 15 = VAN WHEEL BASE 5 54 = WAGON WHEEL BASE 4 55 = WAGON WHEEL BASE 5 56 = WAGON WHEEL BASE 6 16 = VAN WHEEL BASE 6	EX8 = 2.7L I5 Turbo Diesel Engine EX9 = 2.7L I5 Mercedes-Benz TD Engine	DGJ = 5-Speed Automatic MB Transmission DGZ = 4-Spd. Automatic MT643 Transmission

AR = use ase required - = Non illustrated part

**Door, Front Glass and Regulator Handle
Figure DVA-120**



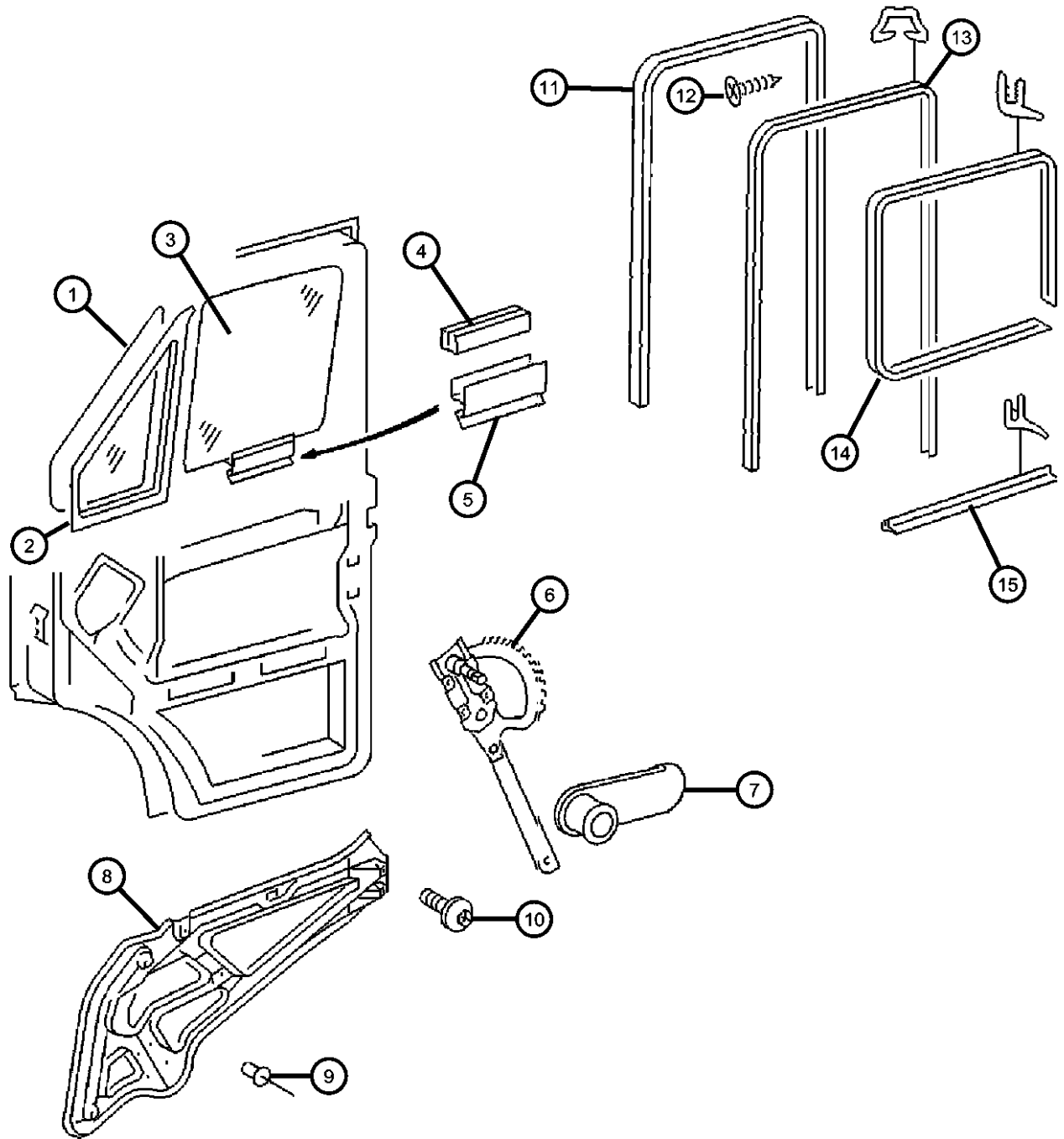
ITEM	PART NUMBER	QTY	LINE	SERIES	BODY	ENGINE	TRANS	TRIM	DESCRIPTION
		1	2, 6	L	51, 52, 54, 55, 56				Left
		1	3, 7	L	02, 06				Left
		1	2, 6	L	01, 02, 06				Left
	05104336AA	1	2, 6	L	51, 52, 54, 55, 56				Right
		1	3, 7	L	02, 06				Right
		1	3, 7	L	12, 15, 16				Right
		1	3, 7	L	12, 15, 16				Left
		1	2, 6	L	01, 02, 06				Right
		1	2, 6	L	11, 12, 14, 15, 16				Right
4									WEATHERSTRIP, Glass Channel Run
	05103783AA	1	2, 6	L	01, 02, 06				25 Meters Long
		1	2, 6	L	11, 12, 14, 15, 16				25 Meters Long
		1	2, 6	L	51, 52, 54, 55, 56				25 Meters Long
		1	3, 7	L	02, 06				25 Meters Long
		1	3, 7	L	12, 15, 16				25 Meters Long
5									CHANNEL, Glass Run Lower
	05104029AA	1	2, 6	L	51, 52, 54, 55, 56				
		1	3, 7	L	02, 06				
		1	3, 7	L	12, 15, 16				
		1	2, 6	L	01, 02, 06				
		1	2, 6	L	11, 12, 14, 15, 16				
6									REGULATOR, Front Door Window
	05104343AA	1	2, 6	L	01, 02, 06				Left

SPRINTER (VA)

SERIES	LINE	BODY	ENGINE	TRANSMISSION
L = LOWLINE	3 = HD DODGE 2WD	01 = CHASSIS FORWARD CONTROL W.B.1	EX8 = 2.7L I5 Turbo Diesel Engine	DGJ = 5-Speed Automatic MB Transmission
	8 = HD DODGE 4WD	02 = CAB CHASSIS WHEEL BASE 2	EX9 = 2.7L I5 Mercedes-Benz TD Engine	DGZ = 4-Spd. Automatic MT643 Transmission
	6 = Lt. Duty DODGE 4WD	06 = CAB CHASSIS WHEEL BASE 6		
	2 = Med. Duty DODGE 2WD	11 = VAN WHEEL BASE 1		
	7 = Med. Duty DODGE 4WD	12 = VAN WHEEL BASE 2		
	4 = TRUCK	51 = WAGON WHEEL BASE 1		
		52 = WAGON WHEEL BASE 2		
		14 = VAN WHEEL BASE 4		
		15 = VAN WHEEL BASE 5		
		54 = WAGON WHEEL BASE 4		
		55 = WAGON WHEEL BASE 5		
		56 = WAGON WHEEL BASE 6		
		16 = VAN WHEEL BASE 6		

AR = use ase required - = Non illustrated part

**Door, Front Glass and Regulator Handle
Figure DVA-120**



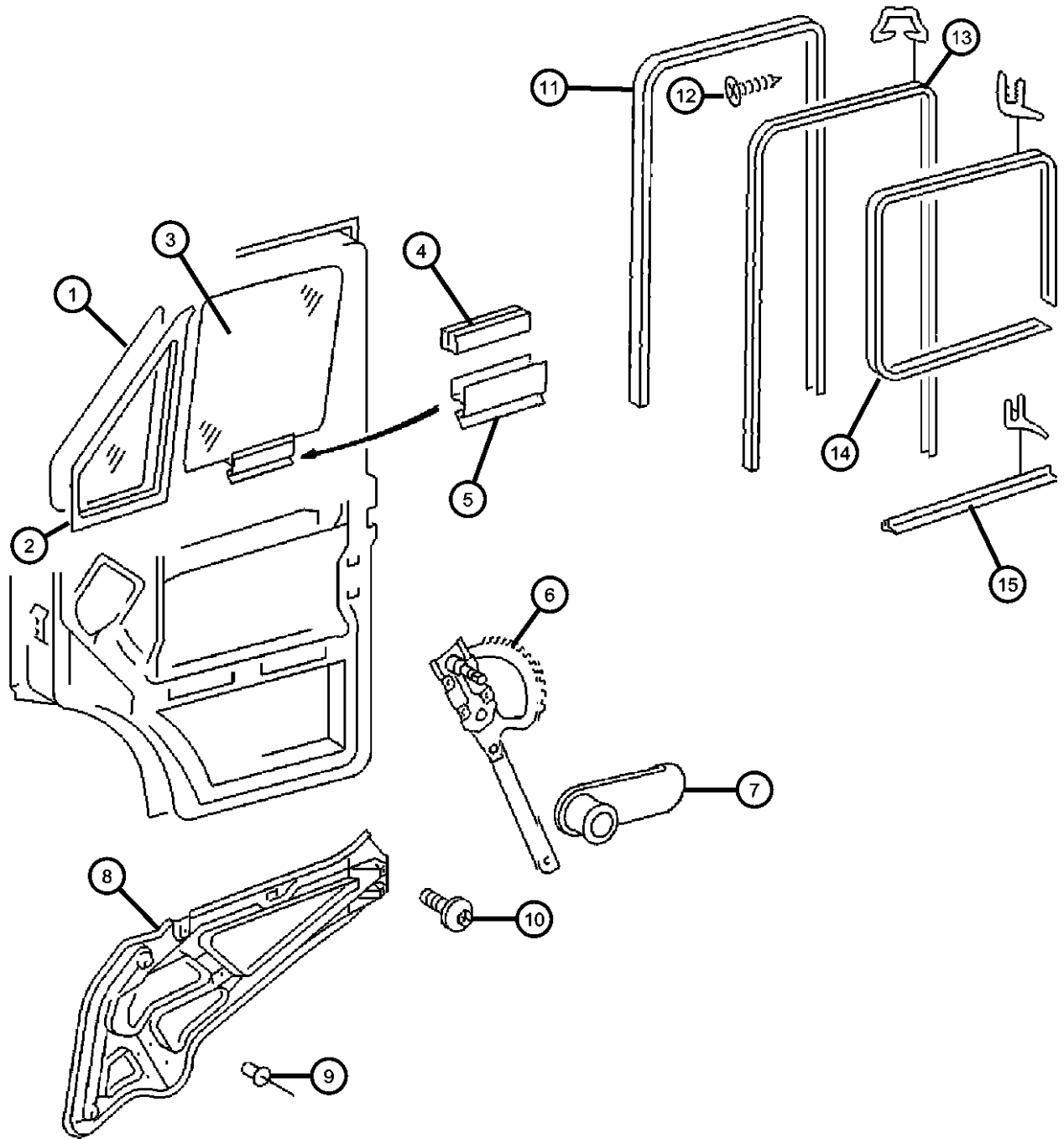
ITEM	PART NUMBER	QTY	LINE	SERIES	BODY	ENGINE	TRANS	TRIM	DESCRIPTION
		1	2, 6	L	11, 12, 14, 15, 16				Left
		1	2, 6	L	51, 52, 54, 55, 56				Left
	05104346AA	1	3, 7	L	02, 06				[JPA], Right
		1	3, 7	L	12, 15, 16				[JPA], Right
	05123727AA	1	2, 6	L	01, 02, 06				Right
		1	3, 7	L	02, 06				Left
		1	3, 7	L	12, 15, 16				Left
	05104345AA	1	2, 6	L	01, 02, 06				[JPA], Left
		1	2, 6	L	11, 12, 14, 15, 16				[JPA], Left
		1	2, 6	L	51, 52, 54, 55, 56				[JPA], Left
		1	3, 7	L	02, 06				[JPA], Left
		1	3, 7	L	12, 15, 16				[JPA], Left
		1	2, 6	L	01, 02, 06				[JPA], Right
		1	2, 6	L	11, 12, 14, 15, 16				[JPA], Right
		1	2, 6	L	51, 52, 54, 55, 56				[JPA], Right
		1	2, 6	L	11, 12, 14, 15, 16				Right
		1	2, 6	L	51, 52, 54, 55, 56				Right
		1	3, 7	L	02, 06				Right
		1	3, 7	L	12, 15, 16				Right
7									HANDLE, Window Regulator
	1AR23CSSAA	1	2, 6	L	01, 02, 06				
		1	2, 6	L	11, 12, 14, 15, 16				
		1	2, 6	L	51, 52, 54, 55, 56				

SPRINTER (VA)

SERIES	LINE	BODY	ENGINE	TRANSMISSION
L = LOWLINE	3 = HD DODGE 2WD 8 = HD DODGE 4WD 6 = Lt. Duty DODGE 4WD 2 = Med. Duty DODGE 2WD 7 = Med. Duty DODGE 4WD 4 = TRUCK	01 = CHASSIS FORWARD CONTROL W.B.1 02 = CAB CHASSIS WHEEL BASE 2 06 = CAB CHASSIS WHEEL BASE 6 11 = VAN WHEEL BASE 1 12 = VAN WHEEL BASE 2 51 = WAGON WHEEL BASE 1 52 = WAGON WHEEL BASE 2 14 = VAN WHEEL BASE 4 15 = VAN WHEEL BASE 5 54 = WAGON WHEEL BASE 4 55 = WAGON WHEEL BASE 5 56 = WAGON WHEEL BASE 6 16 = VAN WHEEL BASE 6	EX8 = 2.7L I5 Turbo Diesel Engine EX9 = 2.7L I5 Mercedes-Benz TD Engine	DGJ = 5-Speed Automatic MB Transmission DGZ = 4-Spd. Automatic MT643 Transmission

AR = use ase required - = Non illustrated part

**Door, Front Glass and Regulator Handle
Figure DVA-120**



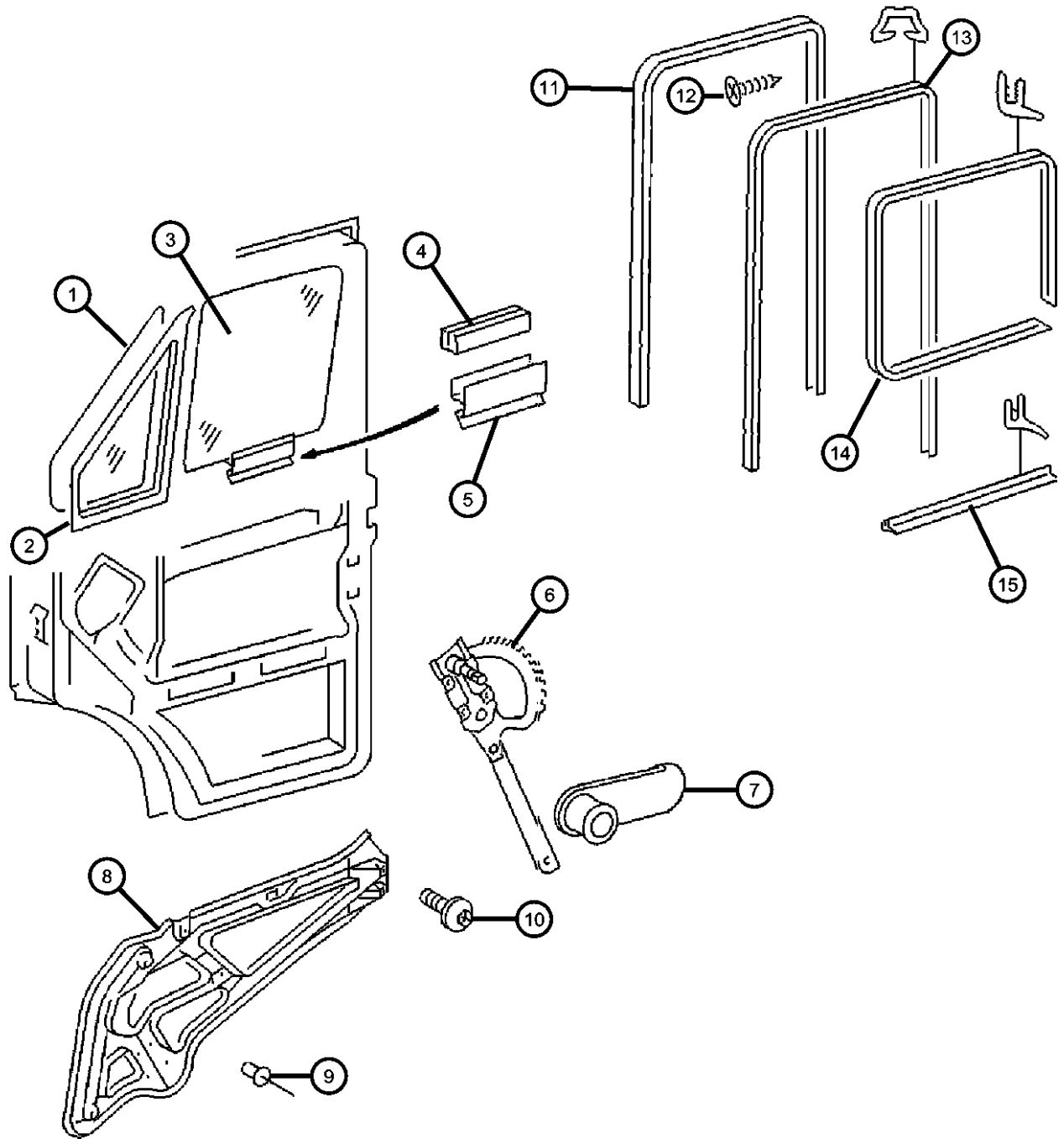
ITEM	PART NUMBER	QTY	LINE	SERIES	BODY	ENGINE	TRANS	TRIM	DESCRIPTION
		1	3, 7	L	02, 06				
		1	3, 7	L	12, 15, 16				
8	05123685AA	1	2, 6	L	01, 02, 06				BRACKET, Door Inside Left
		1	2, 6	L	11, 12, 14, 15, 16				Left
		1	2, 6	L	51, 52, 54, 55, 56				Left
	05123686AA	1	3, 7	L	02, 06				Left
		1	2, 6	L	11, 12, 14, 15, 16				Right
		1	2, 6	L	51, 52, 54, 55, 56				Right
		1	3, 7	L	02, 06				Right
		1	3, 7	L	12, 15, 16				Right
		1	3, 7	L	12, 15, 16				Left
		1	2, 6	L	01, 02, 06				Right
9	05103838AA	4	2, 6	L	01, 02, 06				RIVET
		4	2, 6	L	11, 12, 14, 15, 16				
		4	2, 6	L	51, 52, 54, 55, 56				
		4	3, 7	L	02, 06				
		4	3, 7	L	12, 15, 16				
10	05125421AA	4	2, 6	L	01, 02, 06				SCREW
		4	2, 6	L	11, 12, 14, 15, 16				
		4	2, 6	L	51, 52, 54, 55, 56				
		4	3, 7	L	02, 06				

SPRINTER (VA)

SERIES	LINE	BODY	ENGINE	TRANSMISSION
L = LOWLINE	3 = HD DODGE 2WD 8 = HD DODGE 4WD 6 = Lt. Duty DODGE 4WD 2 = Med. Duty DODGE 2WD 7 = Med. Duty DODGE 4WD 4 = TRUCK	01 = CHASSIS FORWARD CONTROL W.B.1 02 = CAB CHASSIS WHEEL BASE 2 06 = CAB CHASSIS WHEEL BASE 6 11 = VAN WHEEL BASE 1 12 = VAN WHEEL BASE 2 51 = WAGON WHEEL BASE 1 52 = WAGON WHEEL BASE 2 14 = VAN WHEEL BASE 4 15 = VAN WHEEL BASE 5 54 = WAGON WHEEL BASE 4 55 = WAGON WHEEL BASE 5 56 = WAGON WHEEL BASE 6 16 = VAN WHEEL BASE 6	EX8 = 2.7L I5 Turbo Diesel Engine EX9 = 2.7L I5 Mercedes-Benz TD Engine	DGJ = 5-Speed Automatic MB Transmission DGZ = 4-Spd. Automatic MT643 Transmission

AR = use ase required - = Non illustrated part

**Door, Front Glass and Regulator Handle
Figure DVA-120**



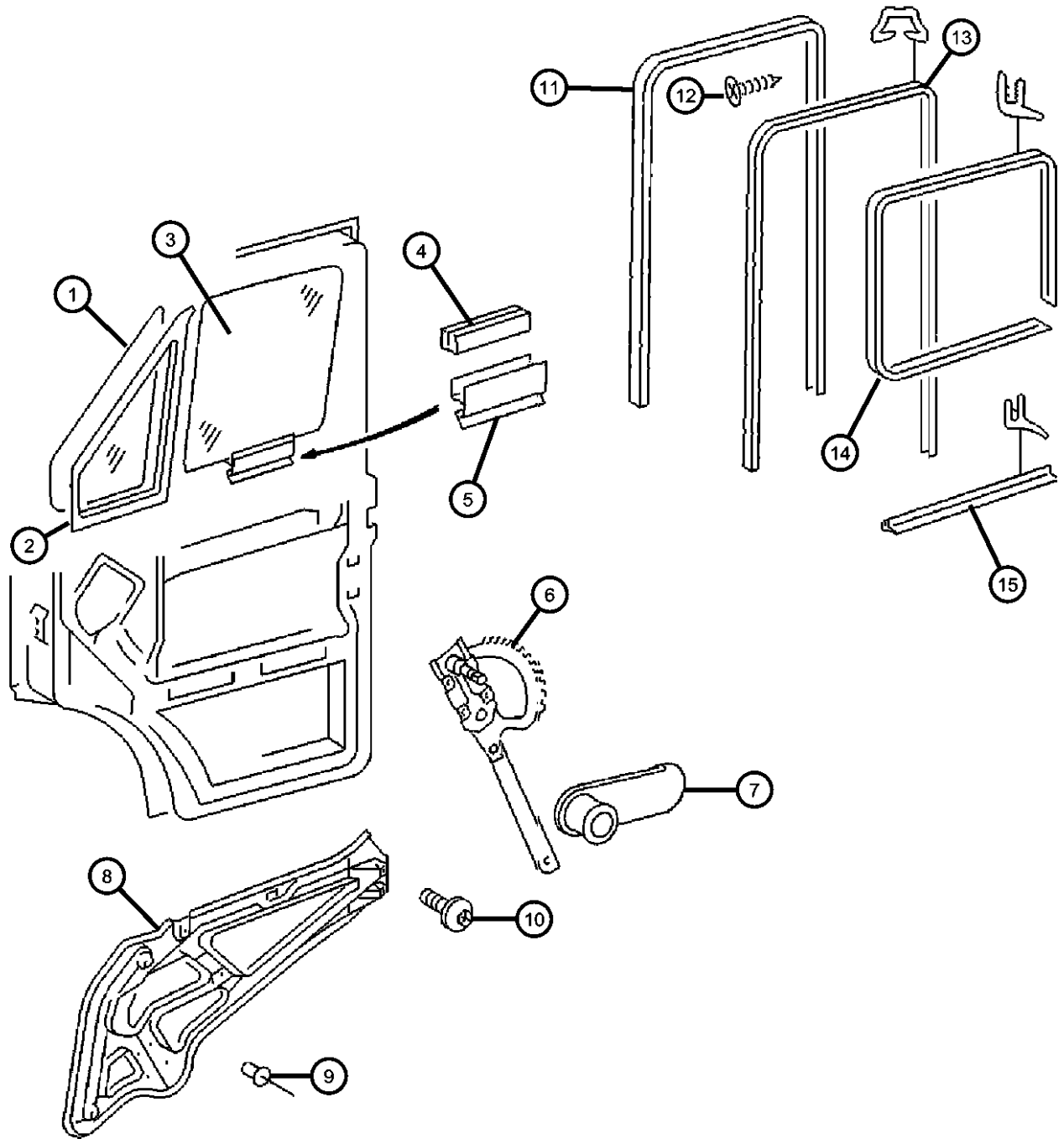
ITEM	PART NUMBER	QTY	LINE	SERIES	BODY	ENGINE	TRANS	TRIM	DESCRIPTION
11		4	3, 7	L	12, 15, 16				FRAME, Door Glass
	05104351AA	1	2, 6	L	01, 02, 06				Right
		1	2, 6	L	11, 12, 14, 15, 16				Right
		1	2, 6	L	51, 52, 54, 55, 56				Right
		1	3, 7	L	02, 06				Right
	05123785AA	1	3, 7	L	12, 15, 16				Right
		1	2, 6	L	01, 02, 06				Left
		1	2, 6	L	11, 12, 14, 15, 16				Left
		1	2, 6	L	51, 52, 54, 55, 56				Left
		1	3, 7	L	02, 06				Left
		1	3, 7	L	12, 15, 16				Left
12									SCREW, Tapping
	05133513AA	8	2, 6	L	11, 12, 14, 15, 16				
		8	2, 6	L	51, 52, 54, 55, 56				
		8	3, 7	L	02, 06				
		8	2, 6	L	01, 02, 06				
		8	3, 7	L	12, 15, 16				
13									WEATHERSTRIP, Glass Channel Run
	05123782AA	1	2, 6	L	01, 02, 06				
		1	2, 6	L	11, 12, 14, 15, 16				
		1	2, 6	L	51, 52, 54, 55, 56				
		1	3, 7	L	02, 06				

SPRINTER (VA)

SERIES	LINE	BODY	ENGINE	TRANSMISSION
L = LOWLINE	3 = HD DODGE 2WD 8 = HD DODGE 4WD 6 = Lt. Duty DODGE 4WD 2 = Med. Duty DODGE 2WD 7 = Med. Duty DODGE 4WD 4 = TRUCK	01 = CHASSIS FORWARD CONTROL W.B.1 02 = CAB CHASSIS WHEEL BASE 2 06 = CAB CHASSIS WHEEL BASE 6 11 = VAN WHEEL BASE 1 12 = VAN WHEEL BASE 2 51 = WAGON WHEEL BASE 1 52 = WAGON WHEEL BASE 2 14 = VAN WHEEL BASE 4 15 = VAN WHEEL BASE 5 54 = WAGON WHEEL BASE 4 55 = WAGON WHEEL BASE 5 56 = WAGON WHEEL BASE 6 16 = VAN WHEEL BASE 6	EX8 = 2.7L I5 Turbo Diesel Engine EX9 = 2.7L I5 Mercedes-Benz TD Engine	DGJ = 5-Speed Automatic MB Transmission DGZ = 4-Spd. Automatic MT643 Transmission

AR = use ase required - = Non illustrated part

**Door, Front Glass and Regulator Handle
Figure DVA-120**



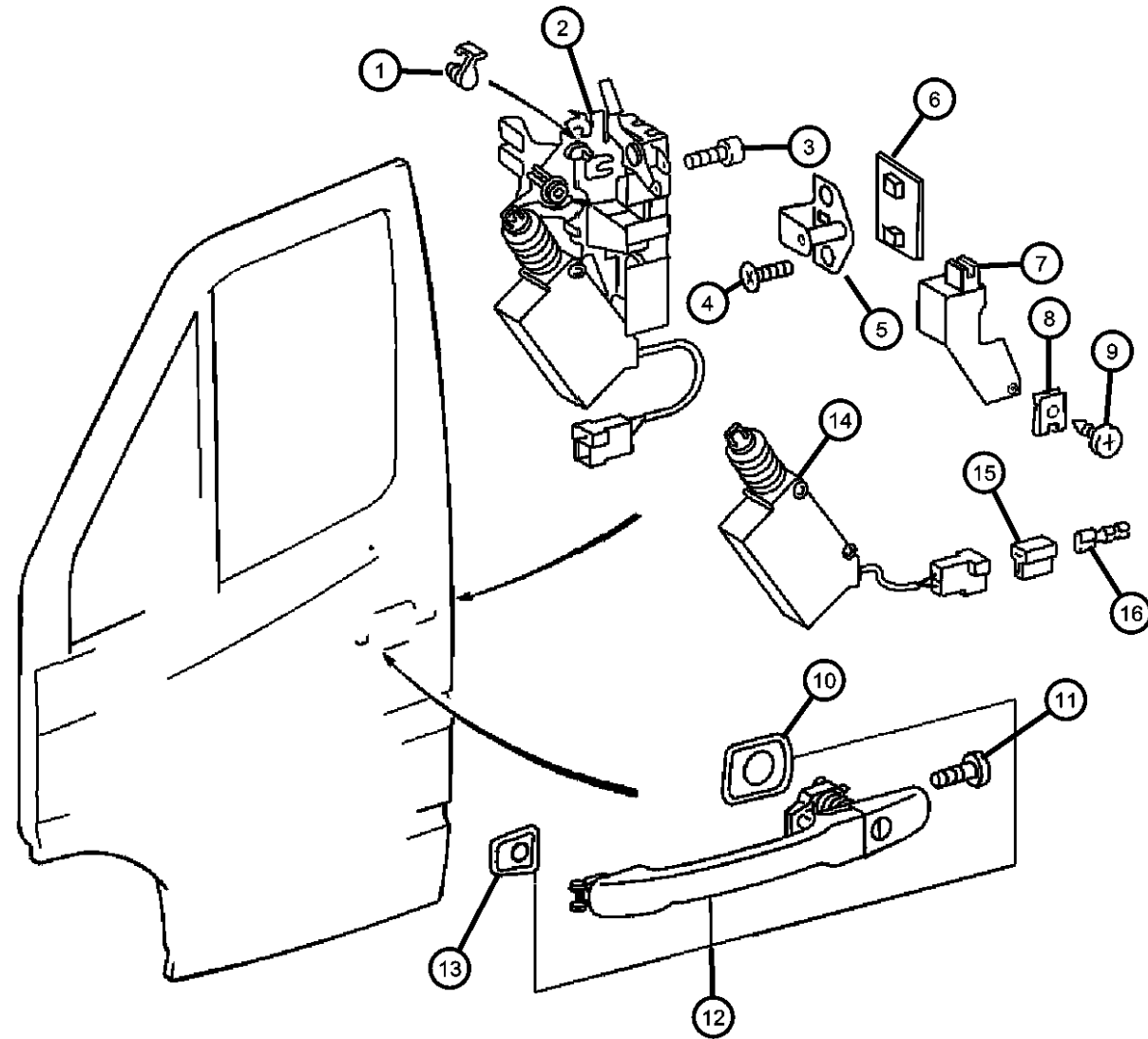
ITEM	PART NUMBER	QTY	LINE	SERIES	BODY	ENGINE	TRANS	TRIM	DESCRIPTION
14		1	3, 7	L	12, 15, 16				WEATHERSTRIP, Front Door
	05123780AA	1	2, 6	L	01, 02, 06				
		1	2, 6	L	11, 12, 14, 15, 16				
		1	2, 6	L	51, 52, 54, 55, 56				
		1	3, 7	L	02, 06				
		1	3, 7	L	12, 15, 16				
15									WEATHERSTRIP, Sill Front Secondary
	05123775AA	1	3, 7	L	02, 06				
		1	2, 6	L	01, 02, 06				
		1	2, 6	L	11, 12, 14, 15, 16				
		1	2, 6	L	51, 52, 54, 55, 56				
		1	3, 7	L	12, 15, 16				

SPRINTER (VA)

SERIES	LINE	BODY	ENGINE	TRANSMISSION
L = LOWLINE	3 = HD DODGE 2WD 8 = HD DODGE 4WD 6 = Lt. Duty DODGE 4WD 2 = Med. Duty DODGE 2WD 7 = Med. Duty DODGE 4WD 4 = TRUCK	01 = CHASSIS FORWARD CONTROL W.B.1 02 = CAB CHASSIS WHEEL BASE 2 06 = CAB CHASSIS WHEEL BASE 6 11 = VAN WHEEL BASE 1 12 = VAN WHEEL BASE 2 51 = WAGON WHEEL BASE 1 52 = WAGON WHEEL BASE 2 14 = VAN WHEEL BASE 4 15 = VAN WHEEL BASE 5 54 = WAGON WHEEL BASE 4 55 = WAGON WHEEL BASE 5 56 = WAGON WHEEL BASE 6 16 = VAN WHEEL BASE 6	EX8 = 2.7L I5 Turbo Diesel Engine EX9 = 2.7L I5 Mercedes-Benz TD Engine	DGJ = 5-Speed Automatic MB Transmission DGZ = 4-Spd. Automatic MT643 Transmission

AR = use ase required - = Non illustrated part

Door, Front Exterior Handle and Links
Figure DVA-130



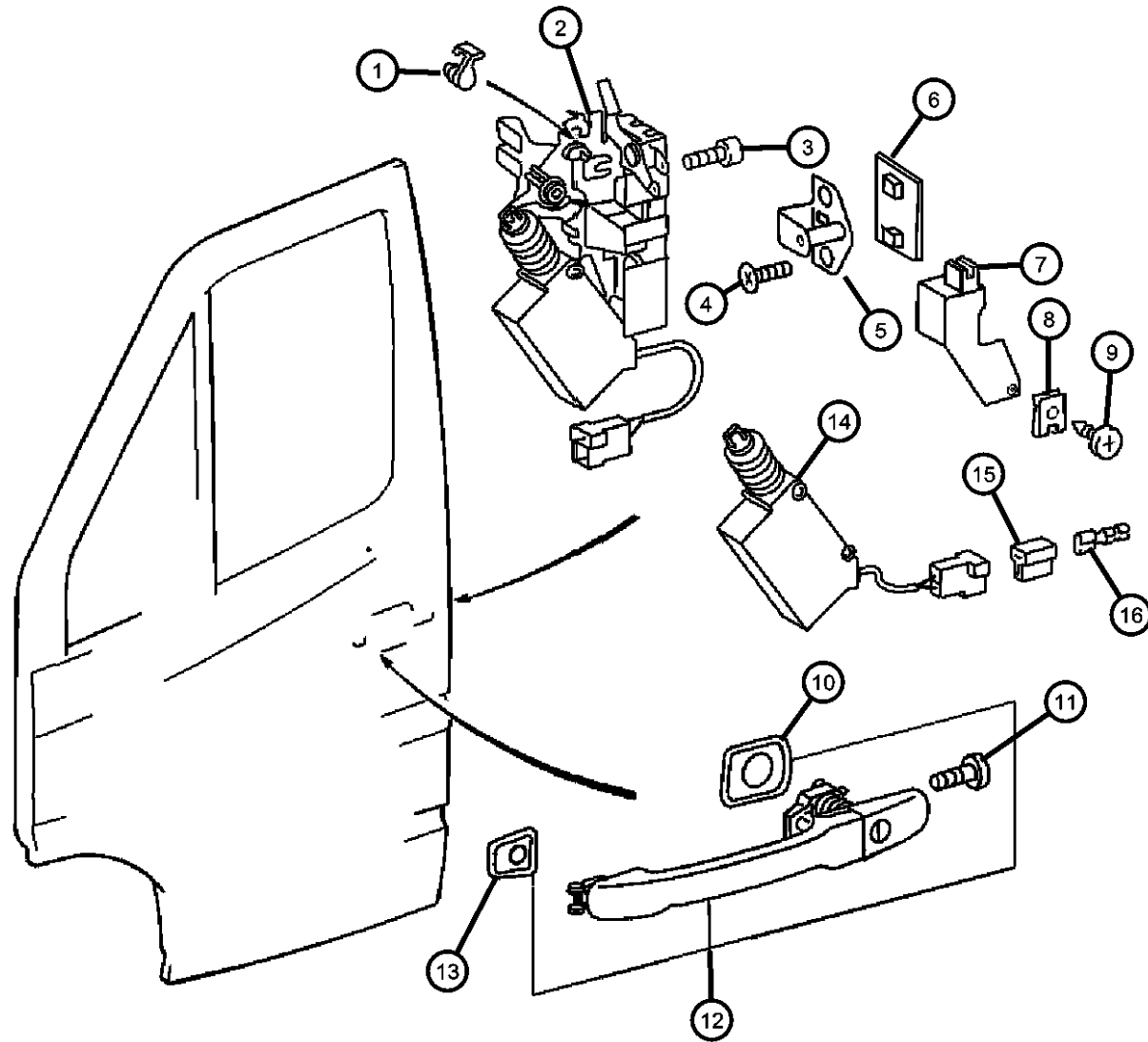
ITEM	PART NUMBER	QTY	LINE	SERIES	BODY	ENGINE	TRANS	TRIM	DESCRIPTION
1	05103674AA	1	2, 6	L	01, 02, 06				CONNECTOR, Solenoid
		1	2, 6	L	11, 12, 14, 15, 16				
		1	2, 6	L	51, 52, 54, 55, 56				
		1	3, 7	L	02, 06				
		1	3, 7	L	12, 15, 16				
2	05104337AA	1	2, 3, 6, 7	L					LATCH, Front Door Left
	05104341AA	1	2, 3, 6, 7	L					Right
3	05103723AA	3	3, 7	L	12, 15, 16				SCREW
		3	2, 6	L	01, 02, 06				
		3	2, 6	L	11, 12, 14, 15, 16				
		3	2, 6	L	51, 52, 54, 55, 56				
		3	3, 7	L	02, 06				
4	05103715AA	2	2, 6	L	01, 02, 06				SCREW
		2	2, 6	L	11, 12, 14, 15, 16				
		2	2, 6	L	51, 52, 54, 55, 56				
		2	3, 7	L	02, 06				
		2	3, 7	L	12, 15, 16				
5	05104330AA	1	3, 7	L	02, 06				STRIKER
		1	3, 7	L	12, 15, 16				
		1	2, 6	L	01, 02, 06				

SPRINTER (VA)

SERIES	LINE	BODY	ENGINE	TRANSMISSION
L = LOWLINE	3 = HD DODGE 2WD 8 = HD DODGE 4WD 6 = Lt. Duty DODGE 4WD 2 = Med. Duty DODGE 2WD 7 = Med. Duty DODGE 4WD 4 = TRUCK	01 = CHASSIS FORWARD CONTROL W.B.1 02 = CAB CHASSIS WHEEL BASE 2 06 = CAB CHASSIS WHEEL BASE 6 11 = VAN WHEEL BASE 1 12 = VAN WHEEL BASE 2 51 = WAGON WHEEL BASE 1 52 = WAGON WHEEL BASE 2 14 = VAN WHEEL BASE 4 15 = VAN WHEEL BASE 5 54 = WAGON WHEEL BASE 4 55 = WAGON WHEEL BASE 5 56 = WAGON WHEEL BASE 6 16 = VAN WHEEL BASE 6	EX8 = 2.7L I5 Turbo Diesel Engine EX9 = 2.7L I5 Mercedes-Benz TD Engine	DGJ = 5-Speed Automatic MB Transmission DGZ = 4-Spd. Automatic MT643 Transmission

AR = use ase required - = Non illustrated part

Door, Front Exterior Handle and Links
Figure DVA-130



ITEM	PART NUMBER	QTY	LINE	SERIES	BODY	ENGINE	TRANS	TRIM	DESCRIPTION
6		1	2, 6	L	14, 15, 16, 11, 12				PLATE, Tapping
		1	2, 6	L	51, 52, 54, 55, 56				
	05121782AA	1	2, 6	L	01, 02, 06				
		1	6, 2	L	11, 12, 14, 15, 16				
		1	2, 6	L	51, 52, 54, 55, 56				
		1	3, 7	L	02, 06				
7		1	3, 7	L	12, 15, 16				COVER, Lock Housing
	05123764AA	1	2, 6	L	01, 02, 06				
		1	2, 6	L	11, 12, 14, 15, 16				
		1	2, 6	L	51, 52, 54, 55, 56				
		1	3, 7	L	02, 06				
		1	3, 7	L	12, 15, 16				
8		1	2, 6	L	11, 12, 14, 15, 16				CLIP, U Type
	05125858AA	1	2, 6	L	51, 52, 54, 55, 56				
		1	3, 7	L	02, 06				
		1	3, 7	L	12, 15, 16				
		1	2, 6	L	01, 02, 06				
		1	2, 6	L	16, 11, 12, 14, 15				
9	05126095AA	1	2, 6	L	01, 02, 06				SCREW, Tapping
		1	2, 6	L	16, 11, 12, 14, 15				

SPRINTER (VA)

SERIES
L = LOWLINE

LINE

3 = HD DODGE 2WD
8 = HD DODGE 4WD
6 = Lt. Duty DODGE 4WD
2 = Med. Duty DODGE 2WD
7 = Med. Duty DODGE 4WD
4 = TRUCK

BODY

01 = CHASSIS FORWARD CONTROL W.B.1
02 = CAB CHASSIS WHEEL BASE 2
06 = CAB CHASSIS WHEEL BASE 6
11 = VAN WHEEL BASE 1
12 = VAN WHEEL BASE 2
51 = WAGON WHEEL BASE 1
52 = WAGON WHEEL BASE 2
14 = VAN WHEEL BASE 4
15 = VAN WHEEL BASE 5
54 = WAGON WHEEL BASE 4
55 = WAGON WHEEL BASE 5
56 = WAGON WHEEL BASE 6
16 = VAN WHEEL BASE 6

ENGINE

EX8 = 2.7L I5 Turbo Diesel Engine
EX9 = 2.7L I5 Mercedes-Benz TD Engine

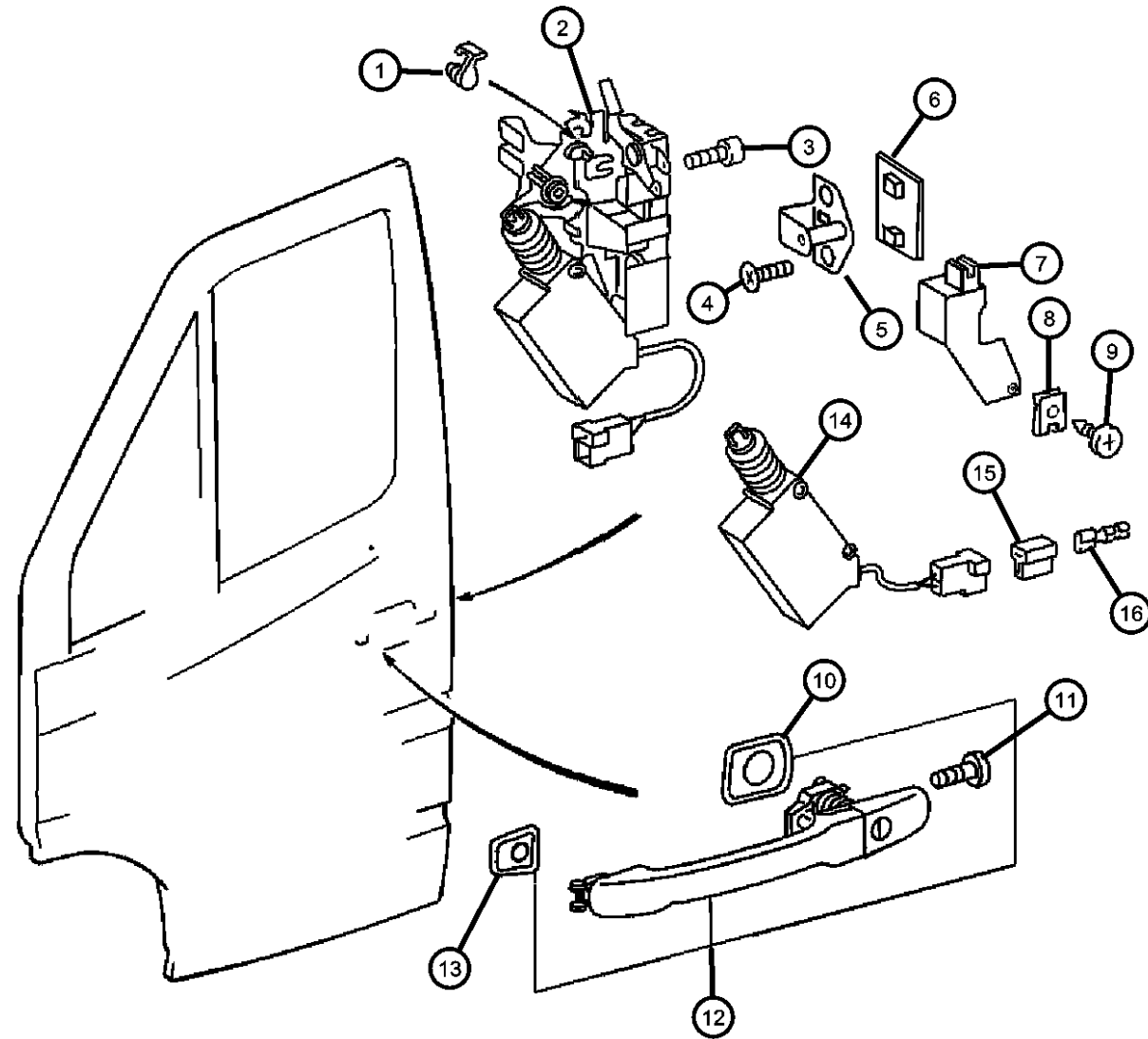
TRANSMISSION

DGJ = 5-Speed Automatic MB Transmission
DGZ = 4-Spd. Automatic MT643 Transmission

AR = use ase required - = Non illustrated part

2006 VA

Door, Front Exterior Handle and Links
Figure DVA-130



ITEM	PART NUMBER	QTY	LINE	SERIES	BODY	ENGINE	TRANS	TRIM	DESCRIPTION
		1	2, 6	L	51, 52, 54, 55, 56				
		1	3, 7	L	02, 06				
		1	3, 7	L	12, 15, 16				
10	05103673AA	1	2, 6	L	51, 52, 54, 55, 56				PAD
		1	2, 6	L	01, 02, 06				
		1	2, 6	L	11, 12, 14, 15, 16				
		1	7, 3	L	02, 06				
		1	3, 7	L	12, 15, 16				
11	05125414AA	1	2, 6	L	11, 12, 14, 15, 16				SCREW, Front Door Handle
		1	2, 6	L	51, 52, 54, 55, 56				
		1	2, 6	L	01, 02, 06				
		1	3, 7	L	02, 06				
		1	3, 7	L	12, 15, 16				
12	05124094AA	1	2, 6	L	01, 02, 06				HANDLE, Front Door
		1	2, 6	L	11, 12, 14, 15, 16				Right & Left
		1	2, 6	L	52, 54, 55, 56, 51				Right & Left
		1	3, 7	L	02, 06				Right & Left
		1	3, 7	L	12, 15, 16				Right & Left
13	05103672AA	1	2, 6	L	01, 02, 06				PAD
		1	2, 6	L	11, 12, 14, 15, 16				

SPRINTER (VA)

SERIES

L = LOWLINE
 3 = HD DODGE 2WD
 8 = HD DODGE 4WD
 6 = Lt. Duty DODGE 4WD
 2 = Med. Duty DODGE 2WD
 7 = Med. Duty DODGE 4WD
 4 = TRUCK

LINE

BODY

01 = CHASSIS FORWARD CONTROL W.B.1
 02 = CAB CHASSIS WHEEL BASE 2
 06 = CAB CHASSIS WHEEL BASE 6
 11 = VAN WHEEL BASE 1
 12 = VAN WHEEL BASE 2
 51 = WAGON WHEEL BASE 1
 52 = WAGON WHEEL BASE 2
 14 = VAN WHEEL BASE 4
 15 = VAN WHEEL BASE 5
 54 = WAGON WHEEL BASE 4
 55 = WAGON WHEEL BASE 5
 56 = WAGON WHEEL BASE 6
 16 = VAN WHEEL BASE 6

ENGINE

EX8 = 2.7L I5 Turbo Diesel Engine
 EX9 = 2.7L I5 Mercedes-Benz TD Engine

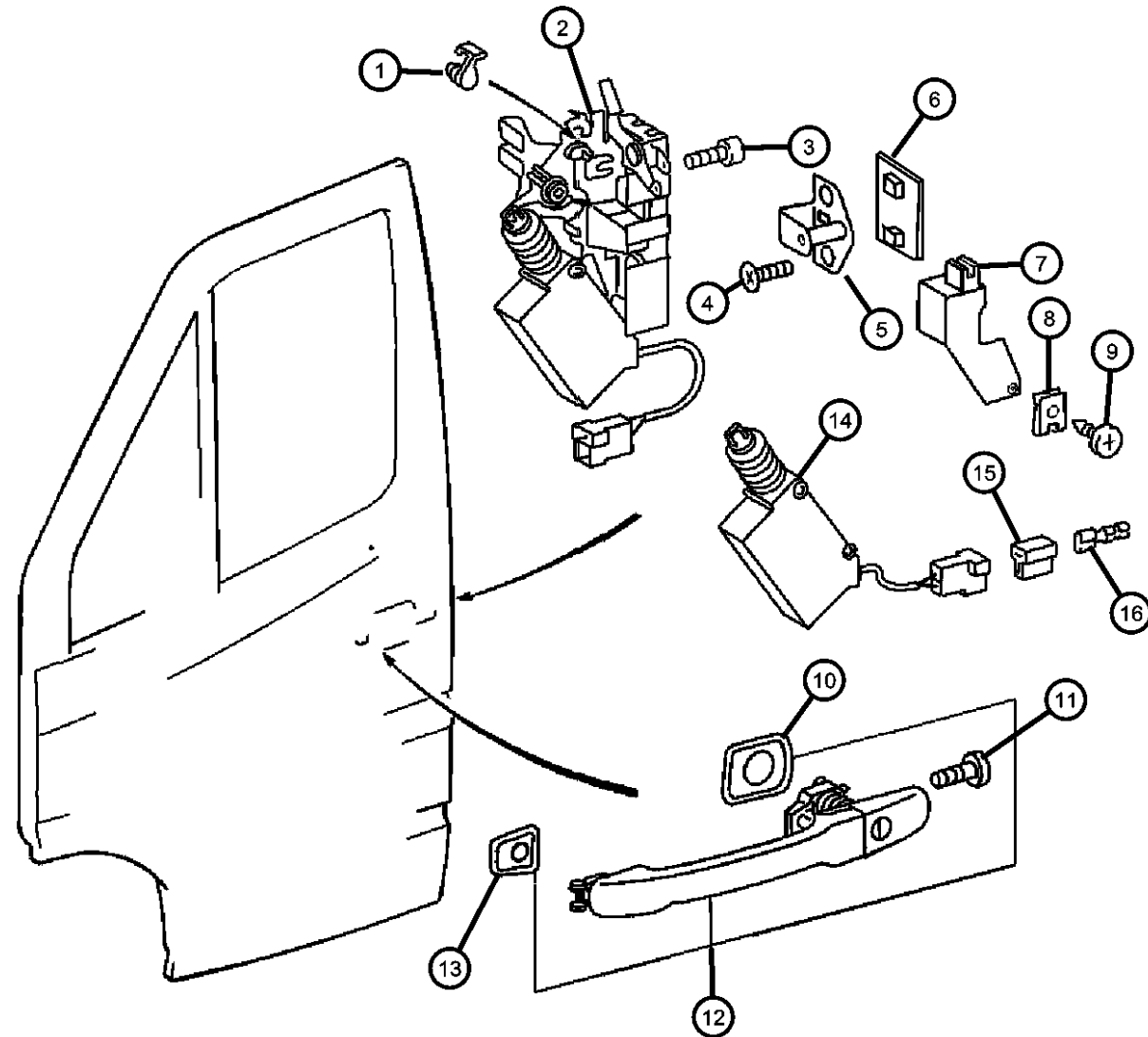
TRANSMISSION

DGJ = 5-Speed Automatic MB Transmission
 DGZ = 4-Spd. Automatic MT643 Transmission

AR = use ase required - = Non illustrated part

2006 VA

Door, Front Exterior Handle and Links
Figure DVA-130



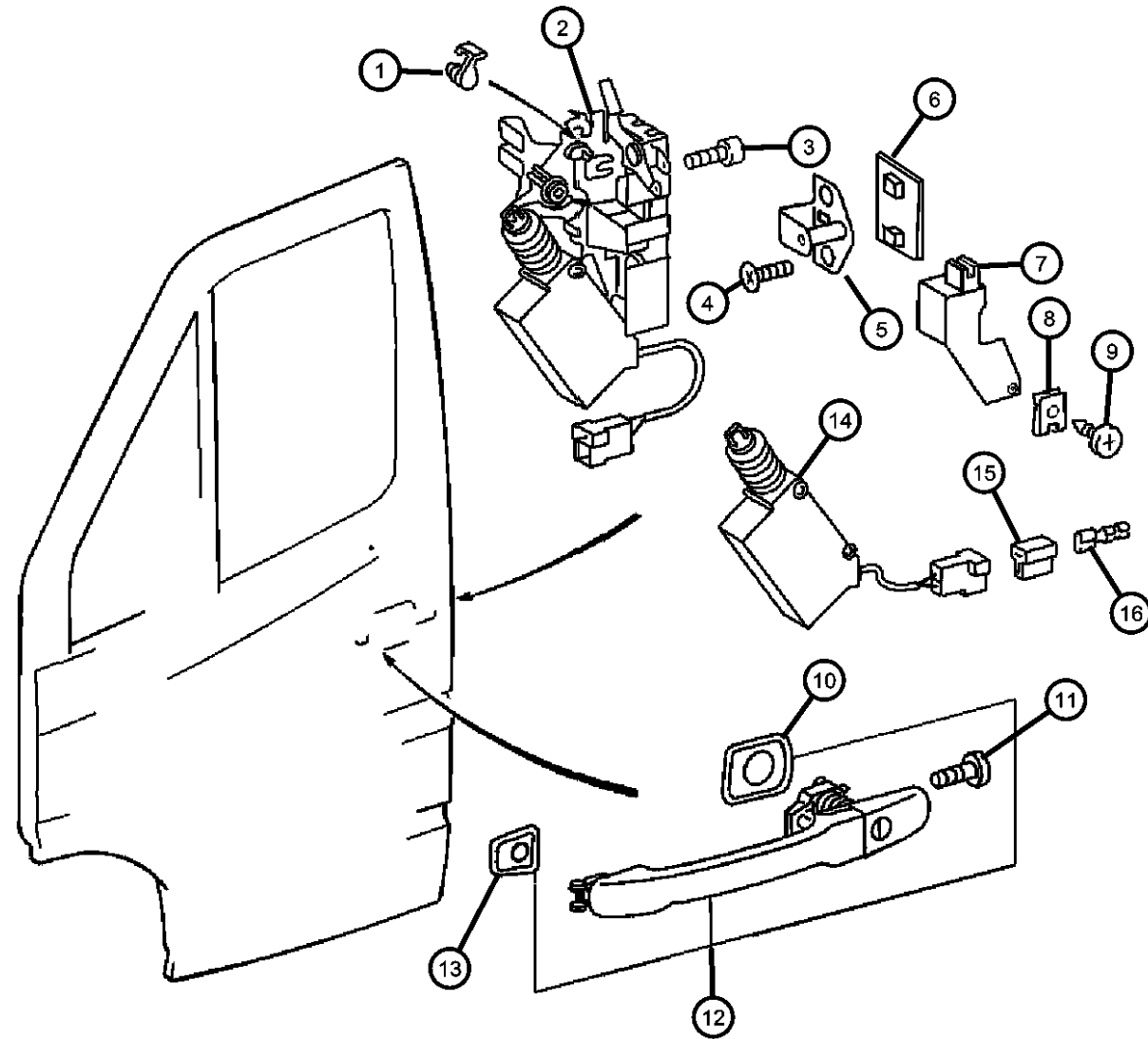
ITEM	PART NUMBER	QTY	LINE	SERIES	BODY	ENGINE	TRANS	TRIM	DESCRIPTION
		1	2, 6	L	51, 52, 54, 55, 56				
		1	3, 7	L	02, 06				
		1	3, 7	L	12, 15, 16				
14									ACTUATOR, Power Door Lock
	05133510AA	1	2, 6	L	01, 02, 06				Without Convenience Locking System, Right
		1	2, 6	L	11, 12, 14, 15, 16				Without Convenience Locking System, Right
		1	2, 6	L	55, 56, 51, 52, 54				Without Convenience Locking System, Right
		1	3, 7	L	02, 06				Without Convenience Locking System, Right
		1	3, 7	L	12, 15, 16				Without Convenience Locking System, Right
	05133511AA	1	2, 6	L	01, 02, 06				Without Convenience Locking System, Left
		1	2, 6	L	11, 12, 14, 15, 16				Without Convenience Locking System, Left
	05133512AA	1	2, 6	L	01, 02, 06				With Convenience Locking System, Right
		1	2, 6	L	11, 12, 14, 15, 16				With Convenience Locking System, Right
		1	2, 6	L	51, 52, 54, 55, 56				With Convenience Locking System, Right
		1	3, 7	L	02, 06				With Convenience Locking System, Right
		1	3, 7	L	12, 15, 16				With Convenience Locking System
	05133986AA	1	2, 6	L	01, 02, 06				With Convenience Locking System, Left
		1	2, 6	L	11, 12, 14, 15, 16				With Convenience Locking System, Left
		1	2, 6	L	51, 52, 54, 55, 56				With Convenience Locking System, Left
		1	2, 6	L	51, 52, 54, 55, 56				Without Convenience Locking System, Left

SPRINTER (VA)

SERIES	LINE	BODY	ENGINE	TRANSMISSION
L = LOWLINE	3 = HD DODGE 2WD 8 = HD DODGE 4WD 6 = Lt. Duty DODGE 4WD 2 = Med. Duty DODGE 2WD 7 = Med. Duty DODGE 4WD 4 = TRUCK	01 = CHASSIS FORWARD CONTROL W.B.1 02 = CAB CHASSIS WHEEL BASE 2 06 = CAB CHASSIS WHEEL BASE 6 11 = VAN WHEEL BASE 1 12 = VAN WHEEL BASE 2 51 = WAGON WHEEL BASE 1 52 = WAGON WHEEL BASE 2 14 = VAN WHEEL BASE 4 15 = VAN WHEEL BASE 5 54 = WAGON WHEEL BASE 4 55 = WAGON WHEEL BASE 5 56 = WAGON WHEEL BASE 6 16 = VAN WHEEL BASE 6	EX8 = 2.7L I5 Turbo Diesel Engine EX9 = 2.7L I5 Mercedes-Benz TD Engine	DGJ = 5-Speed Automatic MB Transmission DGZ = 4-Spd. Automatic MT643 Transmission

AR = use ase required - = Non illustrated part

Door, Front Exterior Handle and Links
Figure DVA-130



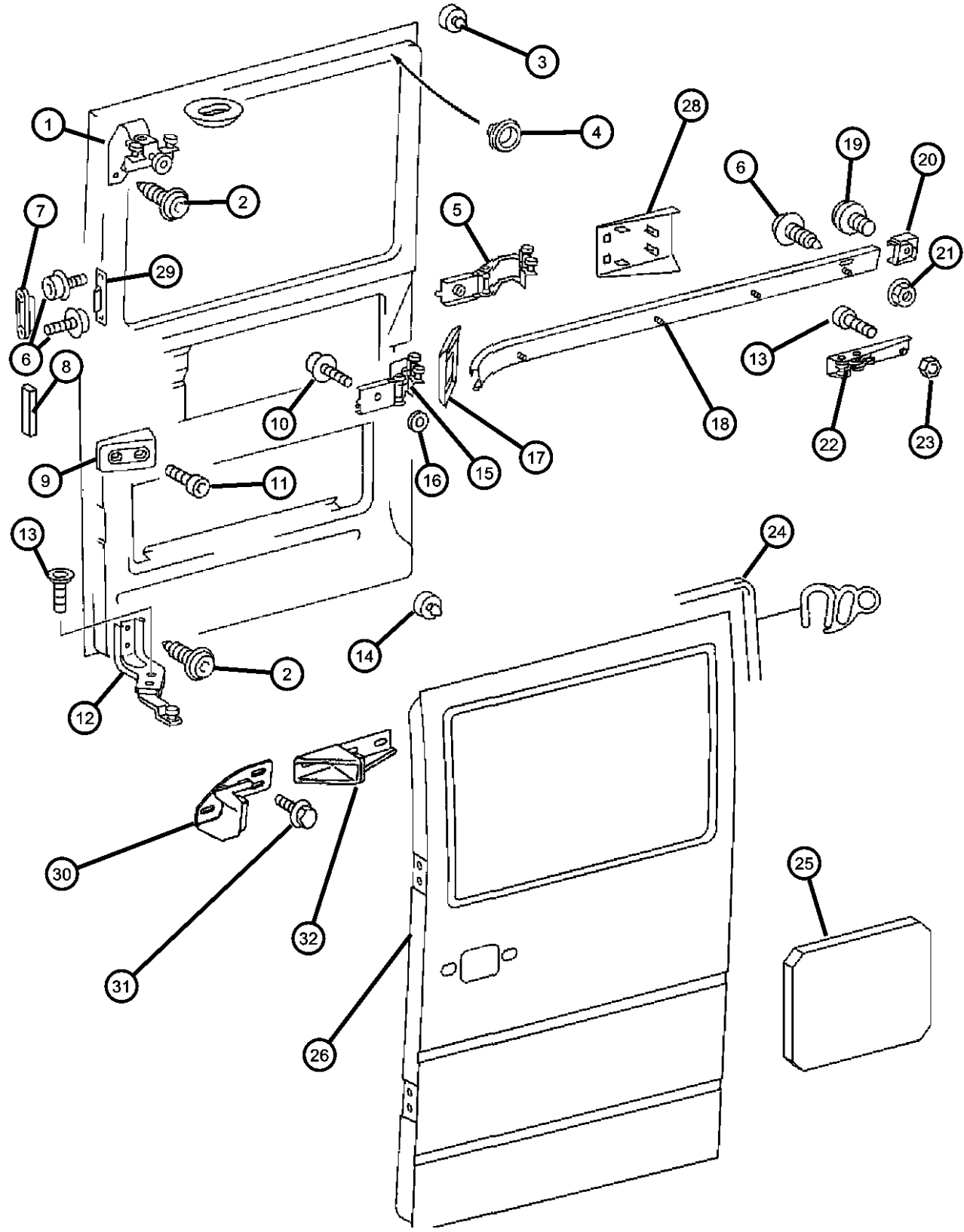
ITEM	PART NUMBER	QTY	LINE	SERIES	BODY	ENGINE	TRANS	TRIM	DESCRIPTION
		1	3, 7	L	02, 06				Without Convenience Locking System, Left
		1	3, 7	L	12, 15, 16				Without Convenience Locking System, Left
		1	3, 7	L	02, 06				With Convenience Locking System, Left
		1	3, 7	L	12, 15, 16				With Convenience Locking System, Left
15	05103754AA	1	2, 6	L	51, 52, 54, 55, 56				INSULATOR, 2 Way Female
		1	2, 6	L	01, 02, 06				
		1	2, 6	L	11, 12, 14, 15, 16				
		2	3, 7	L	12, 15, 16				
		2	3, 7	L	02, 06				
16	05114451AA	99	2, 6	L	51, 52, 54, 55, 56				TERMINAL, Female
		99	2, 6	L	01, 02, 06				
		99	2, 6	L	11, 12, 14, 15, 16				
		99	3, 7	L	02, 06				
		99	3, 7	L	12, 15, 16				

SPRINTER (VA)

SERIES	LINE	BODY	ENGINE	TRANSMISSION
L = LOWLINE	3 = HD DODGE 2WD 8 = HD DODGE 4WD 6 = Lt. Duty DODGE 4WD 2 = Med. Duty DODGE 2WD 7 = Med. Duty DODGE 4WD 4 = TRUCK	01 = CHASSIS FORWARD CONTROL W.B.1 02 = CAB CHASSIS WHEEL BASE 2 06 = CAB CHASSIS WHEEL BASE 6 11 = VAN WHEEL BASE 1 12 = VAN WHEEL BASE 2 51 = WAGON WHEEL BASE 1 52 = WAGON WHEEL BASE 2 14 = VAN WHEEL BASE 4 15 = VAN WHEEL BASE 5 54 = WAGON WHEEL BASE 4 55 = WAGON WHEEL BASE 5 56 = WAGON WHEEL BASE 6 16 = VAN WHEEL BASE 6	EX8 = 2.7L I5 Turbo Diesel Engine EX9 = 2.7L I5 Mercedes-Benz TD Engine	DGJ = 5-Speed Automatic MB Transmission DGZ = 4-Spd. Automatic MT643 Transmission

AR = use ase required - = Non illustrated part

Door, Cargo Sliding Shell and Hinges
Figure DVA-310



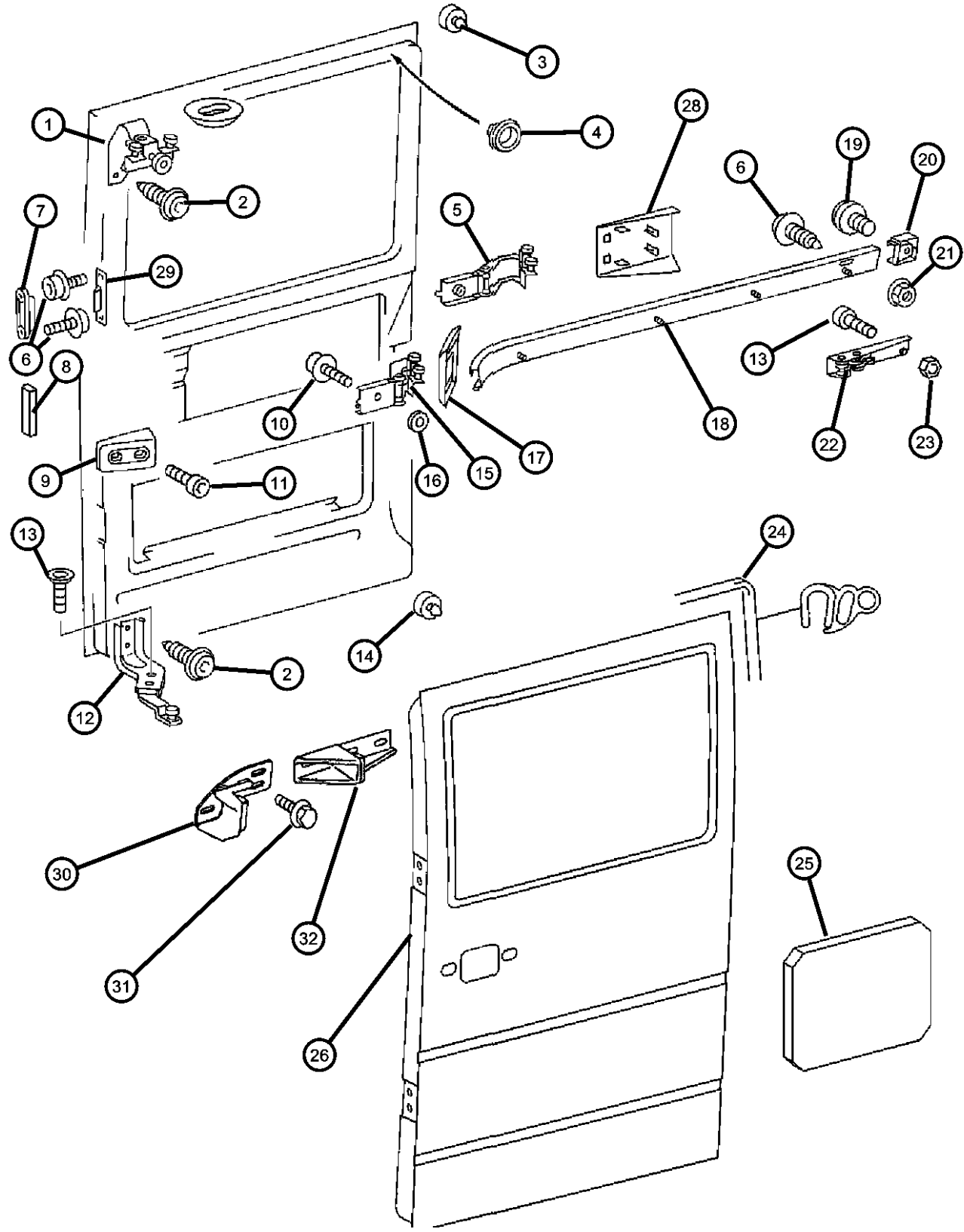
ITEM	PART NUMBER	QTY	LINE	SERIES	BODY	ENGINE	TRANS	TRIM	DESCRIPTION
1	05103589AA	1	2, 6	L	11, 12, 14, 15, 16				SLIDER, Body Hardware Right
	05124089AA	1	2, 6	L	51, 52, 54, 55, 56				Right
	05124089AA	1	3, 7	L	12, 15, 16				Right
	05124089AA	1	2, 6	L	11, 12, 14, 15, 16				Left
	05124089AA	1	2, 6	L	51, 52, 54, 55, 56				Left
	05124089AA	1	3, 7	L	12, 15, 16				Left
2	05104610AA	2	2, 6	L	01, 02, 06				SCREW
	05104610AA	2	2, 6	L	15, 16, 11, 12, 14				
	05104610AA	2	2, 6	L	51, 52, 54, 55, 56				
	05104610AA	2	3, 7	L	02, 06				
	05104610AA	2	3, 7	L	12, 15, 16				
3	05103918AA	1	2, 6	L	11, 12, 14, 15, 16				BUMPER, Sliding Door Center Track Upper
	05103918AA	1	2, 6	L	51, 52, 54, 55, 56				Upper
	05103918AA	1	3, 7	L	12, 15, 16				Upper
4	05125514AA	2	2, 6	L	11, 12, 14, 15, 16				PLUG, Expansion
	05125514AA	2	2, 6	L	51, 52, 54, 55, 56				
	05125514AA	2	3, 7	L	12, 15, 16				
5	05103607AA	1	2, 6	L	11, 12, 14, 15, 16				SLIDER, Body Hardware Right

SPRINTER (VA)

SERIES	LINE	BODY	ENGINE	TRANSMISSION
L = LOWLINE	3 = HD DODGE 2WD 8 = HD DODGE 4WD 6 = Lt. Duty DODGE 4WD 2 = Med. Duty DODGE 2WD 7 = Med. Duty DODGE 4WD 4 = TRUCK	01 = CHASSIS FORWARD CONTROL W.B.1 02 = CAB CHASSIS WHEEL BASE 2 06 = CAB CHASSIS WHEEL BASE 6 11 = VAN WHEEL BASE 1 12 = VAN WHEEL BASE 2 51 = WAGON WHEEL BASE 1 52 = WAGON WHEEL BASE 2 14 = VAN WHEEL BASE 4 15 = VAN WHEEL BASE 5 54 = WAGON WHEEL BASE 4 55 = WAGON WHEEL BASE 5 56 = WAGON WHEEL BASE 6 16 = VAN WHEEL BASE 6	EX8 = 2.7L I5 Turbo Diesel Engine EX9 = 2.7L I5 Mercedes-Benz TD Engine	DGJ = 5-Speed Automatic MB Transmission DGZ = 4-Spd. Automatic MT643 Transmission

AR = use ase required - = Non illustrated part

Door, Cargo Sliding Shell and Hinges
Figure DVA-310



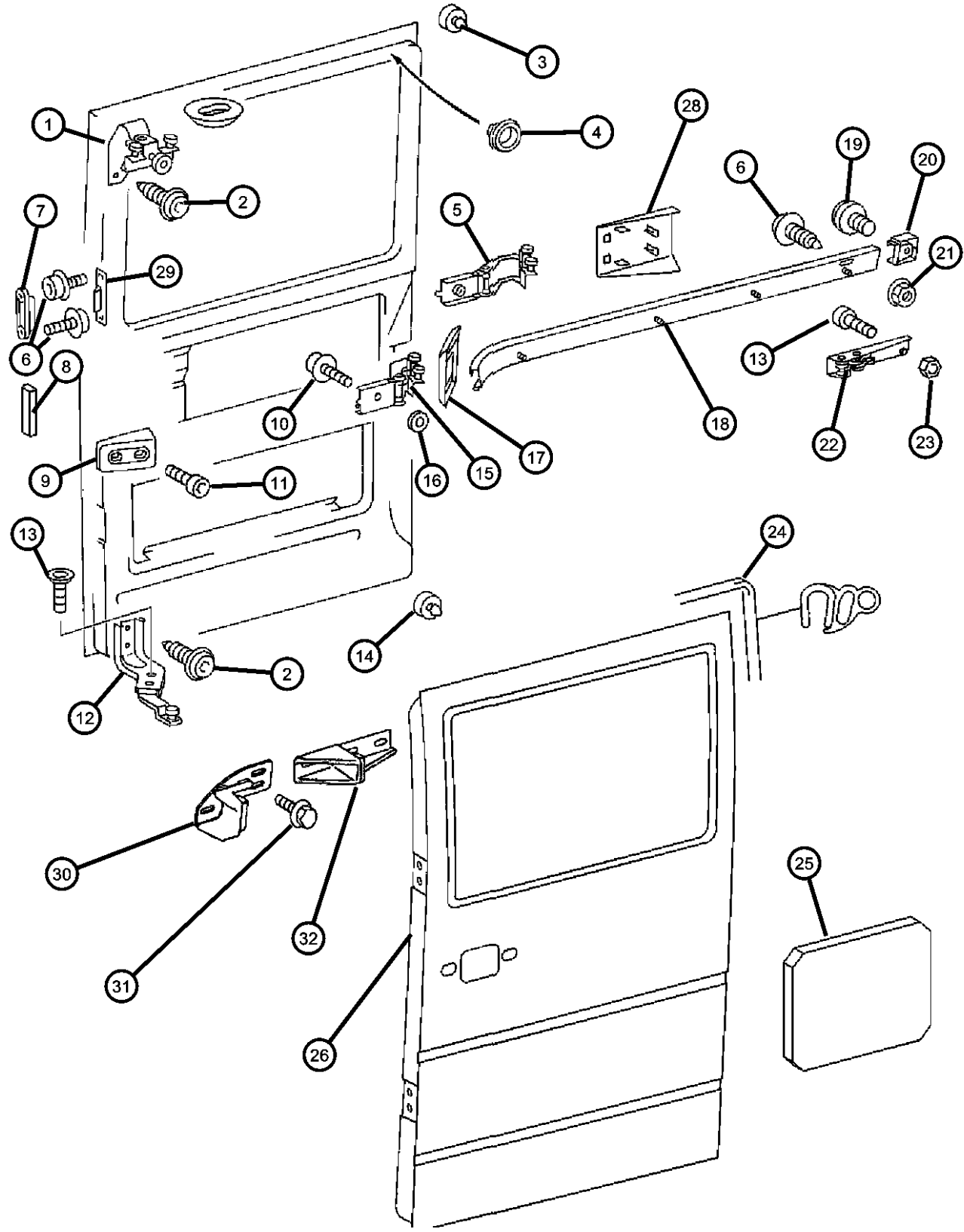
ITEM	PART NUMBER	QTY	LINE	SERIES	BODY	ENGINE	TRANS	TRIM	DESCRIPTION
		1	7, 3	L	12, 15				Right
	05124090AA	1	2, 6	L	11, 12, 14, 15, 16				Left
		1	3, 7	L	12, 15				Left
6									SCREW
	05103714AA	4	2, 6	L	16, 11, 12, 14, 15				Left
		4	2, 6	L	51, 52, 54, 55, 56				Left
		4	2, 6	L	11, 12, 14, 15, 16				Right
		4	2, 6	L	51, 52, 54, 55, 56				Right
		4	3, 7	L	12, 15, 16				Left
		4	3, 7	L	12, 15, 16				Right
7									STABILIZER, Sliding Door
	05104429AA	2	2, 6	L	11, 12, 14, 15, 16				Left
		2	2, 6	L	11, 12, 14, 15, 16				Right
		2	2, 6	L	51, 52, 54, 55, 56				Right
		2	3, 7	L	12, 15, 16				Left
		2	3, 7	L	12, 15, 16				Right
		2	2, 6	L	51, 52, 54, 55, 56				Left
8									BUMPER, Rubber
	05104427AA	2	2, 6	L	11, 12, 14, 15, 16				Left
		2	2, 6	L	55, 56, 51, 52, 54				Left
		2	2, 6	L	11, 12, 14, 15, 16				Right
		2	2, 6	L	51, 52, 54, 55, 56				Right

SPRINTER (VA)

SERIES	LINE	BODY	ENGINE	TRANSMISSION
L = LOWLINE	3 = HD DODGE 2WD 8 = HD DODGE 4WD 6 = Lt. Duty DODGE 4WD 2 = Med. Duty DODGE 2WD 7 = Med. Duty DODGE 4WD 4 = TRUCK	01 = CHASSIS FORWARD CONTROL W.B.1 02 = CAB CHASSIS WHEEL BASE 2 06 = CAB CHASSIS WHEEL BASE 6 11 = VAN WHEEL BASE 1 12 = VAN WHEEL BASE 2 51 = WAGON WHEEL BASE 1 52 = WAGON WHEEL BASE 2 14 = VAN WHEEL BASE 4 15 = VAN WHEEL BASE 5 54 = WAGON WHEEL BASE 4 55 = WAGON WHEEL BASE 5 56 = WAGON WHEEL BASE 6 16 = VAN WHEEL BASE 6	EX8 = 2.7L I5 Turbo Diesel Engine EX9 = 2.7L I5 Mercedes-Benz TD Engine	DGJ = 5-Speed Automatic MB Transmission DGZ = 4-Spd. Automatic MT643 Transmission

AR = use ase required - = Non illustrated part

Door, Cargo Sliding Shell and Hinges
Figure DVA-310



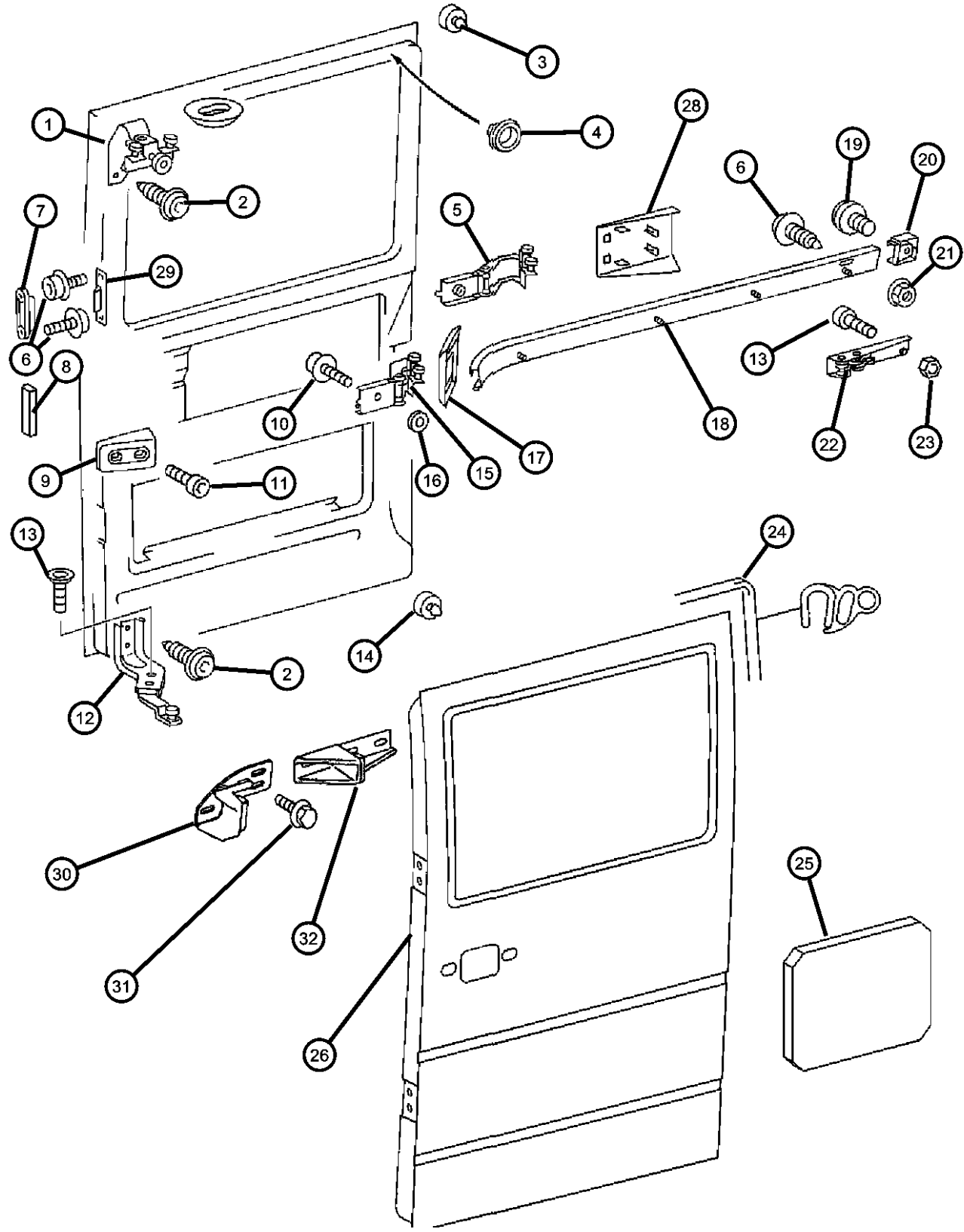
ITEM	PART NUMBER	QTY	LINE	SERIES	BODY	ENGINE	TRANS	TRIM	DESCRIPTION		
9	05104411AA	2	3, 7	L	12, 15, 16				Left		
		2	3, 7	L	12, 15, 16				Right		
		1	2, 6	L	51, 52, 54, 55, 56				BUMPER, Rubber		
		1	2, 6	L	11, 12, 14, 15, 16				Left		
		1	2, 6	L	51, 52, 54, 55, 56				Right		
		1	3, 7	L	12, 15, 16				Right		
		1	3, 7	L	12, 15, 16				Left		
		1	2, 6	L	11, 12, 14, 15, 16				Right		
		10	05126337AA	1	2, 6	L	11, 12, 14, 15, 16				Left
				1	2, 6	L	51, 52, 54, 55, 56				Right
1	2, 6			L	14, 15, 16, 11, 12				Left		
1	2, 6			L	51, 52, 54, 55, 56				Right		
1	3, 7			L	12, 15, 16				Right		
1	3, 7			L	12, 15, 16				Left		
1	2, 6			L	11, 12, 14, 15, 16				Right		
1	2, 6			L	51, 52, 54, 55, 56				Left		
11	05114443AA			2	2, 6	L	11, 12, 14, 15, 16				SCREW
				2	2, 6	L	51, 52, 54, 55, 56				Left
		2	3, 7	L	12, 15, 16				Right		
		2	3, 7	L	12, 15, 16				Left		
		2	3, 7	L	12, 15, 16				Right		
		2	2, 6	L	51, 52, 54, 55, 56				Left		

SPRINTER (VA)

SERIES	LINE	BODY	ENGINE	TRANSMISSION
L = LOWLINE	3 = HD DODGE 2WD 8 = HD DODGE 4WD 6 = Lt. Duty DODGE 4WD 2 = Med. Duty DODGE 2WD 7 = Med. Duty DODGE 4WD 4 = TRUCK	01 = CHASSIS FORWARD CONTROL W.B.1 02 = CAB CHASSIS WHEEL BASE 2 06 = CAB CHASSIS WHEEL BASE 6 11 = VAN WHEEL BASE 1 12 = VAN WHEEL BASE 2 51 = WAGON WHEEL BASE 1 52 = WAGON WHEEL BASE 2 14 = VAN WHEEL BASE 4 15 = VAN WHEEL BASE 5 54 = WAGON WHEEL BASE 4 55 = WAGON WHEEL BASE 5 56 = WAGON WHEEL BASE 6 16 = VAN WHEEL BASE 6	EX8 = 2.7L I5 Turbo Diesel Engine EX9 = 2.7L I5 Mercedes-Benz TD Engine	DGJ = 5-Speed Automatic MB Transmission DGZ = 4-Spd. Automatic MT643 Transmission

AR = use ase required - = Non illustrated part

Door, Cargo Sliding Shell and Hinges
Figure DVA-310



ITEM	PART NUMBER	QTY	LINE	SERIES	BODY	ENGINE	TRANS	TRIM	DESCRIPTION
		2	2, 6	L	11, 12, 14, 15, 16				Right
12	05103588AA	1	2, 6	L	11, 12, 14, 15, 16				SLIDER, Body Hardware Right
		1	2, 6	L	51, 52, 54, 55, 56				Right
	05124080AA	1	3, 7	L	12, 15, 16				Right
		1	2, 6	L	15, 16, 11, 12, 14				Left
		1	2, 6	L	51, 52, 54, 55, 56				Left
13		1	3, 7	L	12, 15, 16				Left SCREW
	05133540AA	1	2, 6	L	11, 12, 14, 15, 16				
		1	2, 6	L	51, 52, 54, 55, 56				
		1	3, 7	L	12, 15, 16				
14		1	2, 6	L	11, 12, 14, 15, 16				BUMPER, Sliding Door Center Track Left
	05103813AA	1	2, 6	L	51, 52, 54, 55, 56				Left
		1	2, 6	L	11, 12, 14, 15, 16				Right
		1	2, 6	L	51, 52, 54, 55, 56				Right
		1	3, 7	L	12, 15, 16				Left
		1	3, 7	L	12, 15, 16				Right
15		1	2, 6	L	11, 12, 14, 15, 16				SLIDER, Body Hardware Right
	05103590AA	1	2, 6	L	11, 12, 14, 15, 16				

SPRINTER (VA)

SERIES
L = LOWLINE

LINE
3 = HD DODGE 2WD
8 = HD DODGE 4WD
6 = Lt. Duty DODGE 4WD
2 = Med. Duty DODGE 2WD
7 = Med. Duty DODGE 4WD
4 = TRUCK

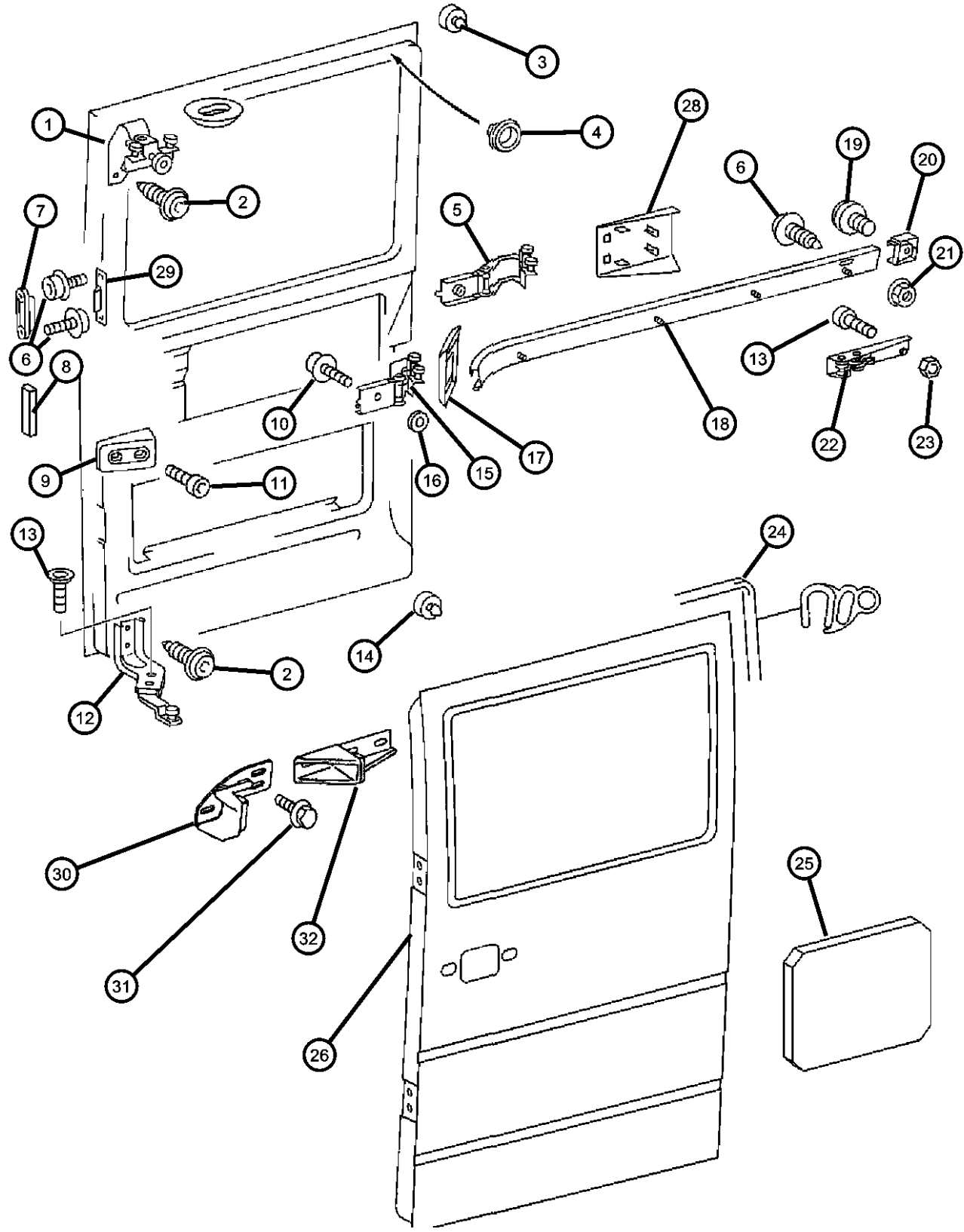
BODY
01 = CHASSIS FORWARD CONTROL W.B.1
02 = CAB CHASSIS WHEEL BASE 2
06 = CAB CHASSIS WHEEL BASE 6
11 = VAN WHEEL BASE 1
12 = VAN WHEEL BASE 2
51 = WAGON WHEEL BASE 1
52 = WAGON WHEEL BASE 2
14 = VAN WHEEL BASE 4
15 = VAN WHEEL BASE 5
54 = WAGON WHEEL BASE 4
55 = WAGON WHEEL BASE 5
56 = WAGON WHEEL BASE 6
16 = VAN WHEEL BASE 6

ENGINE
EX8 = 2.7L I5 Turbo Diesel Engine
EX9 = 2.7L I5 Mercedes-Benz TD Engine

TRANSMISSION
DGJ = 5-Speed Automatic MB Transmission
DGZ = 4-Spd. Automatic MT643 Transmission

AR = use ase required - = Non illustrated part

Door, Cargo Sliding Shell and Hinges
Figure DVA-310



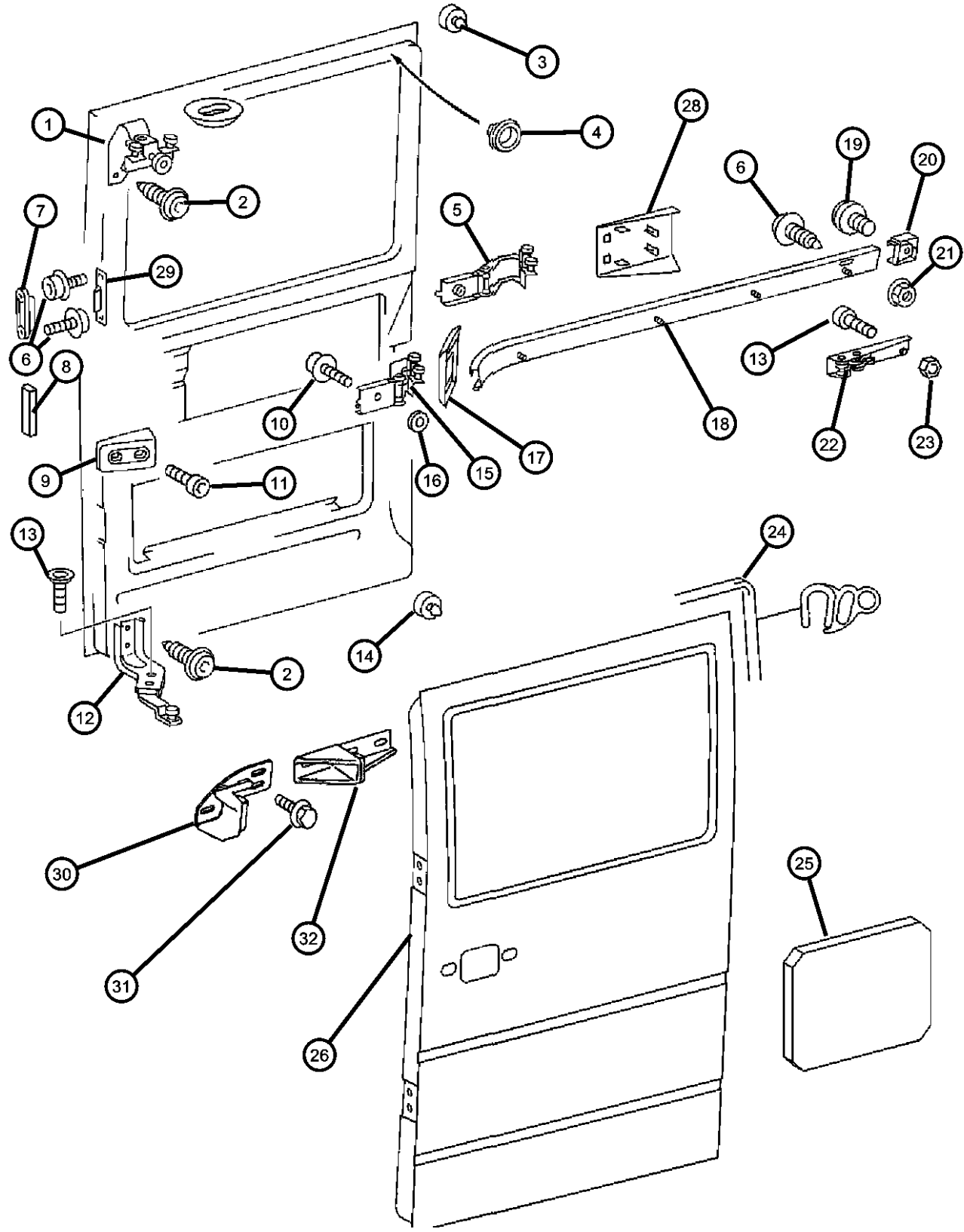
ITEM	PART NUMBER	QTY	LINE	SERIES	BODY	ENGINE	TRANS	TRIM	DESCRIPTION
		1	2, 6	L	54, 55, 56, 51, 52				Right
		1	3, 7	L	16				Right
	05124087AA	1	6, 2	L	11, 12, 14, 15, 16				Left
		1	2, 6	L	51, 52, 54, 55, 56				Left
		1	3, 7	L	16				Left
16									WASHER
	05133526AA	1	2, 6	L	11, 12, 14, 15, 16				Right
		1	2, 6	L	51, 52, 54, 55, 56				Right
		1	3, 7	L	16				Left
		1	3, 7	L	16				Right
		1	2, 6	L	11, 12, 14, 15, 16				Left
		1	2, 6	L	51, 52, 54, 55, 56				Left
17									SEAL, Door
	05104426AA	1	2, 6	L	11, 12, 14, 15, 16				Left
		1	2, 6	L	51, 52, 54, 55, 56				Left
		1	2, 6	L	11, 12, 14, 15, 16				Right
		1	2, 6	L	56, 51, 52, 54, 55				Right
		1	3, 7	L	16				Left
		1	3, 7	L	16				Right
18									RAIL, Slider Door
	05124076AA	1	3, 7	L	12, 15, 16				Left
	05104418AA	1	2, 6	L	11, 12, 14, 15, 16				Right

SPRINTER (VA)

SERIES	LINE	BODY	ENGINE	TRANSMISSION
L = LOWLINE	3 = HD DODGE 2WD 8 = HD DODGE 4WD 6 = Lt. Duty DODGE 4WD 2 = Med. Duty DODGE 2WD 7 = Med. Duty DODGE 4WD 4 = TRUCK	01 = CHASSIS FORWARD CONTROL W.B.1 02 = CAB CHASSIS WHEEL BASE 2 06 = CAB CHASSIS WHEEL BASE 6 11 = VAN WHEEL BASE 1 12 = VAN WHEEL BASE 2 51 = WAGON WHEEL BASE 1 52 = WAGON WHEEL BASE 2 14 = VAN WHEEL BASE 4 15 = VAN WHEEL BASE 5 54 = WAGON WHEEL BASE 4 55 = WAGON WHEEL BASE 5 56 = WAGON WHEEL BASE 6 16 = VAN WHEEL BASE 6	EX8 = 2.7L I5 Turbo Diesel Engine EX9 = 2.7L I5 Mercedes-Benz TD Engine	DGJ = 5-Speed Automatic MB Transmission DGZ = 4-Spd. Automatic MT643 Transmission

AR = use ase required - = Non illustrated part

Door, Cargo Sliding Shell and Hinges
Figure DVA-310



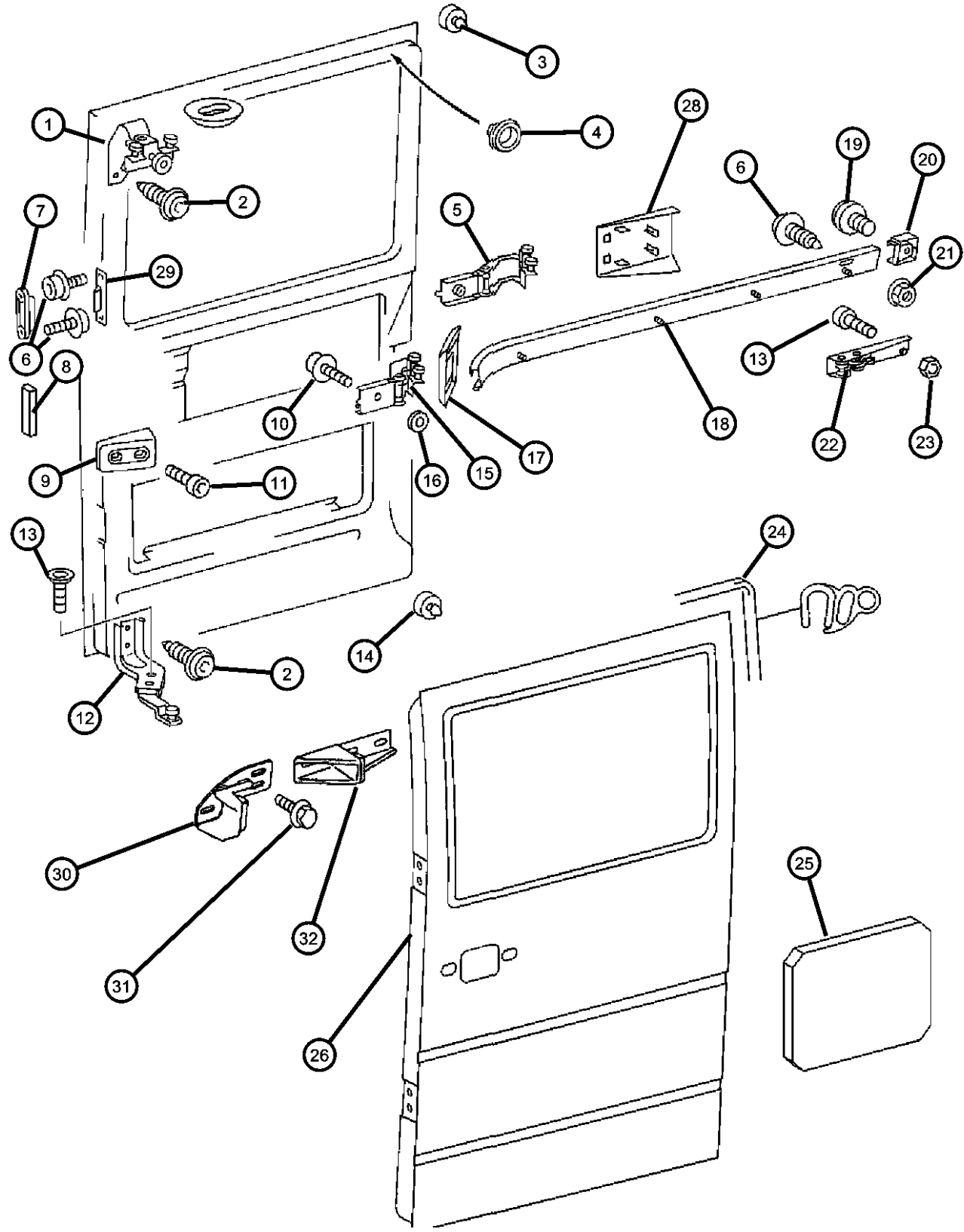
ITEM	PART NUMBER	QTY	LINE	SERIES	BODY	ENGINE	TRANS	TRIM	DESCRIPTION
		1	2, 6	L	51, 52, 54, 55, 56				Right
		1	3, 7	L	12, 15, 16				Right
		1	2, 6	L	11, 12, 14, 15, 16				Left
		1	2, 6	L	51, 52, 54, 55, 56				Left
19									SCREW
	05126103AA	2	2, 6	L	11, 12, 14, 15, 16				Left
		2	2, 6	L	51, 52, 54, 55, 56				Left
		2	2, 6	L	11, 12, 14, 15, 16				Right
		2	2, 6	L	51, 52, 54, 55, 56				Right
		2	3, 7	L	12, 15, 16				Left
		2	3, 7	L	12, 15, 16				Right
20									CAP, Rail
	05104431AA	1	2, 6	L	12, 14, 15, 16, 11				Right
		1	2, 6	L	51, 52, 54, 55, 56				Right
		1	3, 7	L	12, 15, 16				Right
	05124105AA	1	2, 6	L	11, 12, 14, 15, 16				Left
		1	2, 6	L	51, 52, 54, 55, 56				Left
		1	3, 7	L	12, 15, 16				Left
21									NUT, M6x1.00
	05127449AA	2	2, 6	L	01, 02, 06				Quantity Of 4 Is Needed
		2	2, 6	L	11, 12, 14, 15, 16				Quantity Of 4 Is Needed
		2	2, 6	L	51, 52, 54, 55, 56				Quantity Of 4 Is Needed

SPRINTER (VA)

SERIES	LINE	BODY	ENGINE	TRANSMISSION
L = LOWLINE	3 = HD DODGE 2WD 8 = HD DODGE 4WD 6 = Lt. Duty DODGE 4WD 2 = Med. Duty DODGE 2WD 7 = Med. Duty DODGE 4WD 4 = TRUCK	01 = CHASSIS FORWARD CONTROL W.B.1 02 = CAB CHASSIS WHEEL BASE 2 06 = CAB CHASSIS WHEEL BASE 6 11 = VAN WHEEL BASE 1 12 = VAN WHEEL BASE 2 51 = WAGON WHEEL BASE 1 52 = WAGON WHEEL BASE 2 14 = VAN WHEEL BASE 4 15 = VAN WHEEL BASE 5 54 = WAGON WHEEL BASE 4 55 = WAGON WHEEL BASE 5 56 = WAGON WHEEL BASE 6 16 = VAN WHEEL BASE 6	EX8 = 2.7L I5 Turbo Diesel Engine EX9 = 2.7L I5 Mercedes-Benz TD Engine	DGJ = 5-Speed Automatic MB Transmission DGZ = 4-Spd. Automatic MT643 Transmission

AR = use ase required - = Non illustrated part

Door, Cargo Sliding Shell and Hinges
Figure DVA-310



ITEM	PART NUMBER	QTY	LINE	SERIES	BODY	ENGINE	TRANS	TRIM	DESCRIPTION
		2	3, 7	L	02, 06				Quantity Of 4 Is Needed
		2	3, 7	L	12, 15, 16				Quantity Of 4 Is Needed
22	05104412AA	1	2, 6	L	11, 12, 14, 15, 16				ADJUSTER, Cargo Door Right
		1	2, 6	L	51, 52, 54, 55, 56				Right
	05124099AA	1	3, 7	L	12, 15, 16				Right
		1	2, 6	L	11, 12, 14, 15, 16				Left
		1	2, 6	L	51, 52, 54, 55, 56				Left
		1	3, 7	L	12, 15, 16				Left
23	05133541AA	2	2, 6	L	11, 12, 14, 15, 16				NUT
		2	2, 6	L	51, 52, 54, 55, 56				
		2	3, 7	L	12, 15, 16				
24	05104302AA	1	2, 6	L	11, 12, 14, 15, 16				WEATHERSTRIP, Cargo Door Left
		1	2, 6	L	51, 52, 54, 55, 56				Left
		1	2, 6	L	11, 12, 14, 15, 16				Right
		1	2, 6	L	51, 52, 54, 55, 56				Right
		1	3, 7	L	12, 15, 16				Left
		1	3, 7	L	12, 15, 16				Right
25	05122517AA	1	2, 6	L	16, 11, 12, 14, 15				SILENCER, Door

SPRINTER (VA)

SERIES

L = LOWLINE
 3 = HD DODGE 2WD
 8 = HD DODGE 4WD
 6 = Lt. Duty DODGE 4WD
 2 = Med. Duty DODGE 2WD
 7 = Med. Duty DODGE 4WD
 4 = TRUCK

BODY

01 = CHASSIS FORWARD CONTROL W.B.1
 02 = CAB CHASSIS WHEEL BASE 2
 06 = CAB CHASSIS WHEEL BASE 6
 11 = VAN WHEEL BASE 1
 12 = VAN WHEEL BASE 2
 51 = WAGON WHEEL BASE 1
 52 = WAGON WHEEL BASE 2
 14 = VAN WHEEL BASE 4
 15 = VAN WHEEL BASE 5
 54 = WAGON WHEEL BASE 4
 55 = WAGON WHEEL BASE 5
 56 = WAGON WHEEL BASE 6
 16 = VAN WHEEL BASE 6

ENGINE

EX8 = 2.7L I5 Turbo Diesel Engine
 EX9 = 2.7L I5 Mercedes-Benz TD Engine

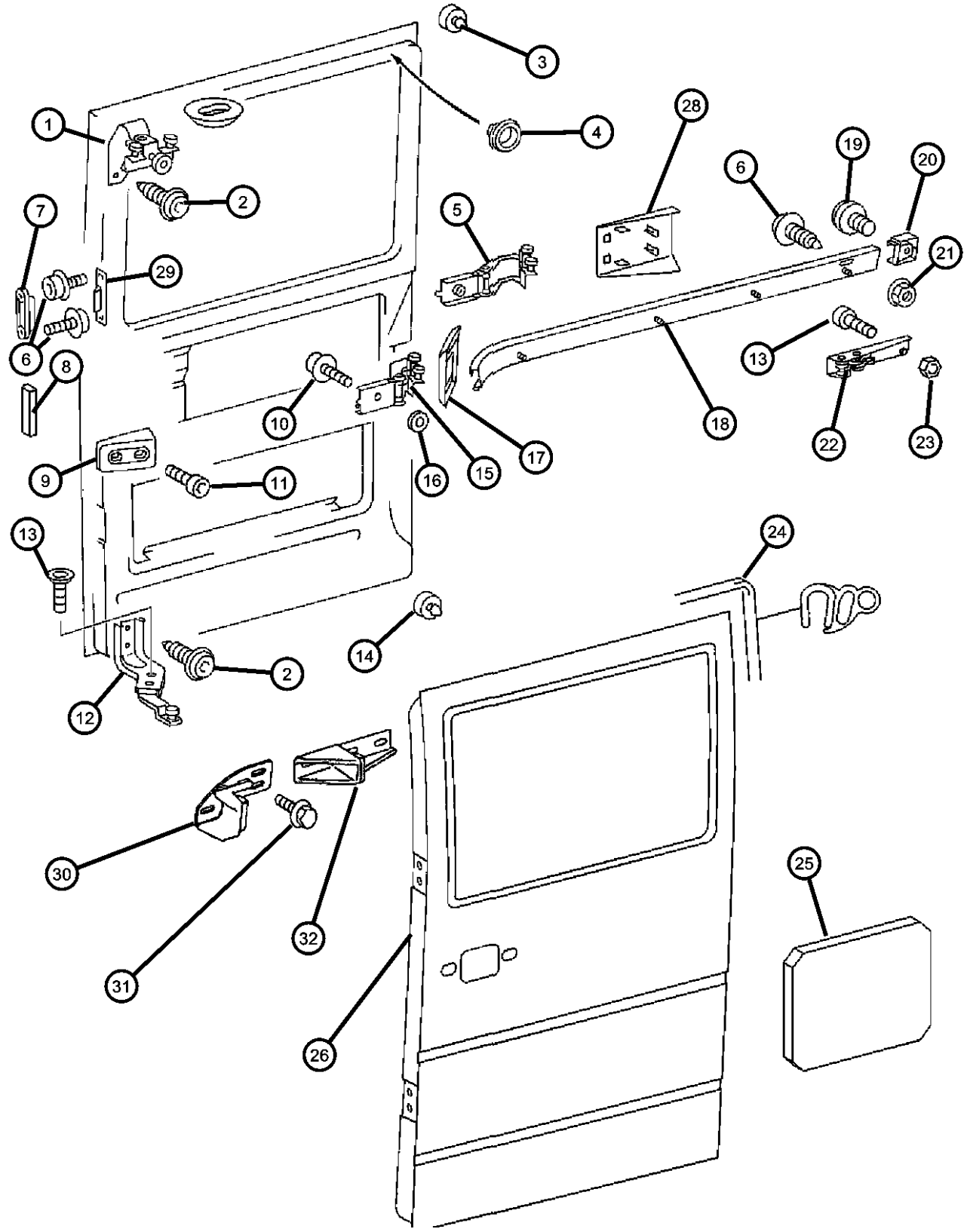
TRANSMISSION

DGJ = 5-Speed Automatic MB Transmission
 DGZ = 4-Spd. Automatic MT643 Transmission

AR = use ase required - = Non illustrated part

2006 VA

Door, Cargo Sliding Shell and Hinges
Figure DVA-310



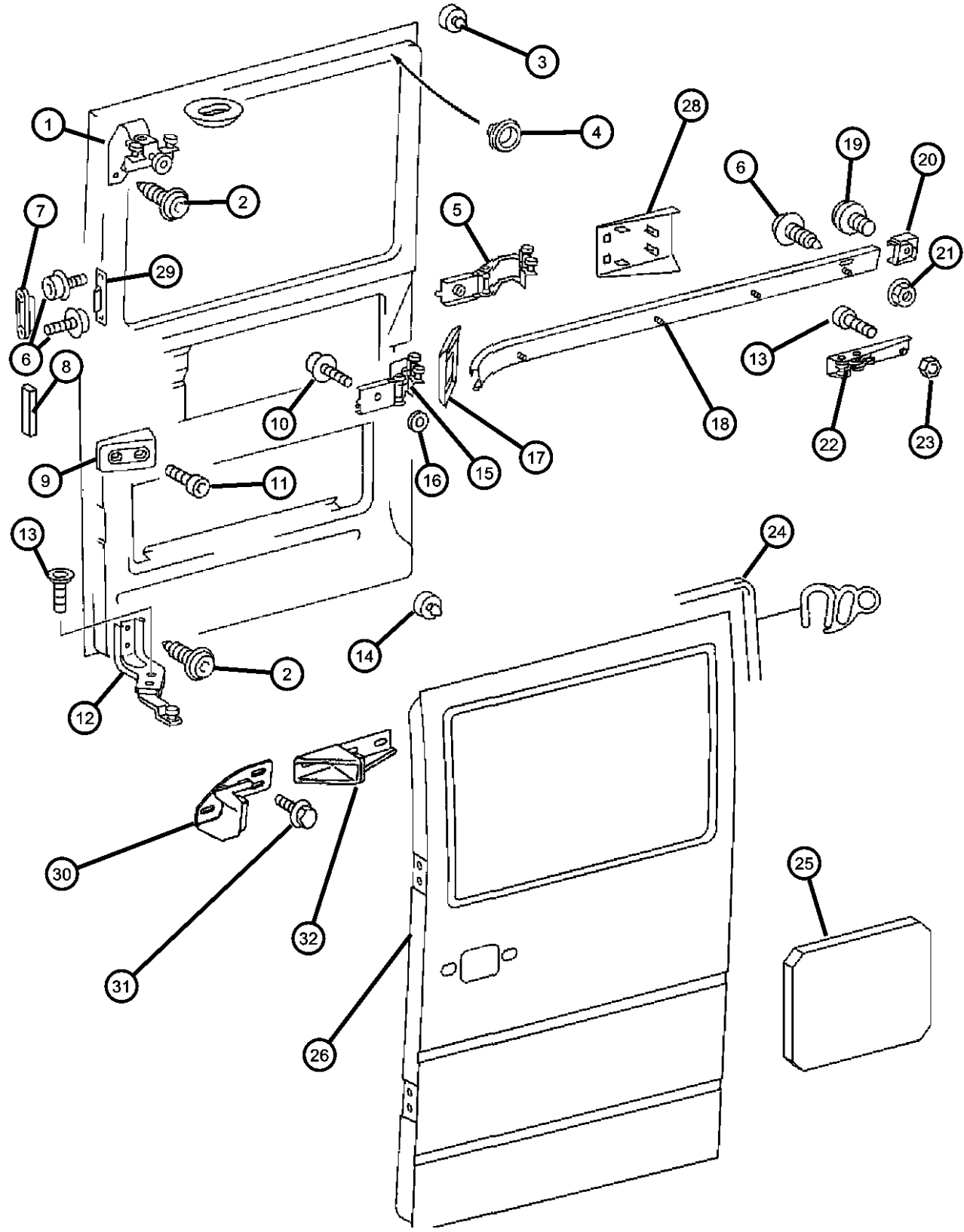
ITEM	PART NUMBER	QTY	LINE	SERIES	BODY	ENGINE	TRANS	TRIM	DESCRIPTION
26		1	2, 6	L	51, 52, 54, 55, 56				DOOR, Side Cargo Left
		1	3, 7	L	12, 15, 16				
	05104355AA	1	2, 6	L	11, 12, 14, 15, 16				
		1	7, 3	L	16				
	05104356AA	1	2, 6	L	11, 12, 14, 15, 16				
		1	3, 7	L	16				
	05123801AA	1	3, 7	L	15, 12				
	05123803AA	1	2, 6	L	11, 12, 14, 15, 16				
	05123795AA	1	2, 6	L	11, 12, 14, 15, 16				
		1	2, 6	L	51, 52, 54, 55, 56				
		1	3, 7	L	16				
	05123797AA	1	2, 6	L	11, 12, 14, 15, 16				
		1	2, 6	L	51, 52, 54, 55, 56				
		1	3, 7	L	16				
05123799AA	1	2, 6	L	11, 12, 14, 15, 16					
	1	3, 7	L	12, 15					
	1	2, 6	L	11, 12, 14, 15, 16					
	1	3, 7	L	12, 15					
05123805AA	1	2, 6	L	11, 12, 14, 15, 16					
	1	3, 7	L	12, 15					
-27									PANEL, Side Cargo Door

SPRINTER (VA)

SERIES	LINE	BODY	ENGINE	TRANSMISSION
L = LOWLINE	3 = HD DODGE 2WD 8 = HD DODGE 4WD 6 = Lt. Duty DODGE 4WD 2 = Med. Duty DODGE 2WD 7 = Med. Duty DODGE 4WD 4 = TRUCK	01 = CHASSIS FORWARD CONTROL W.B.1 02 = CAB CHASSIS WHEEL BASE 2 06 = CAB CHASSIS WHEEL BASE 6 11 = VAN WHEEL BASE 1 12 = VAN WHEEL BASE 2 51 = WAGON WHEEL BASE 1 52 = WAGON WHEEL BASE 2 14 = VAN WHEEL BASE 4 15 = VAN WHEEL BASE 5 54 = WAGON WHEEL BASE 4 55 = WAGON WHEEL BASE 5 56 = WAGON WHEEL BASE 6 16 = VAN WHEEL BASE 6	EX8 = 2.7L I5 Turbo Diesel Engine EX9 = 2.7L I5 Mercedes-Benz TD Engine	DGJ = 5-Speed Automatic MB Transmission DGZ = 4-Spd. Automatic MT643 Transmission

AR = use ase required - = Non illustrated part

Door, Cargo Sliding Shell and Hinges
Figure DVA-310



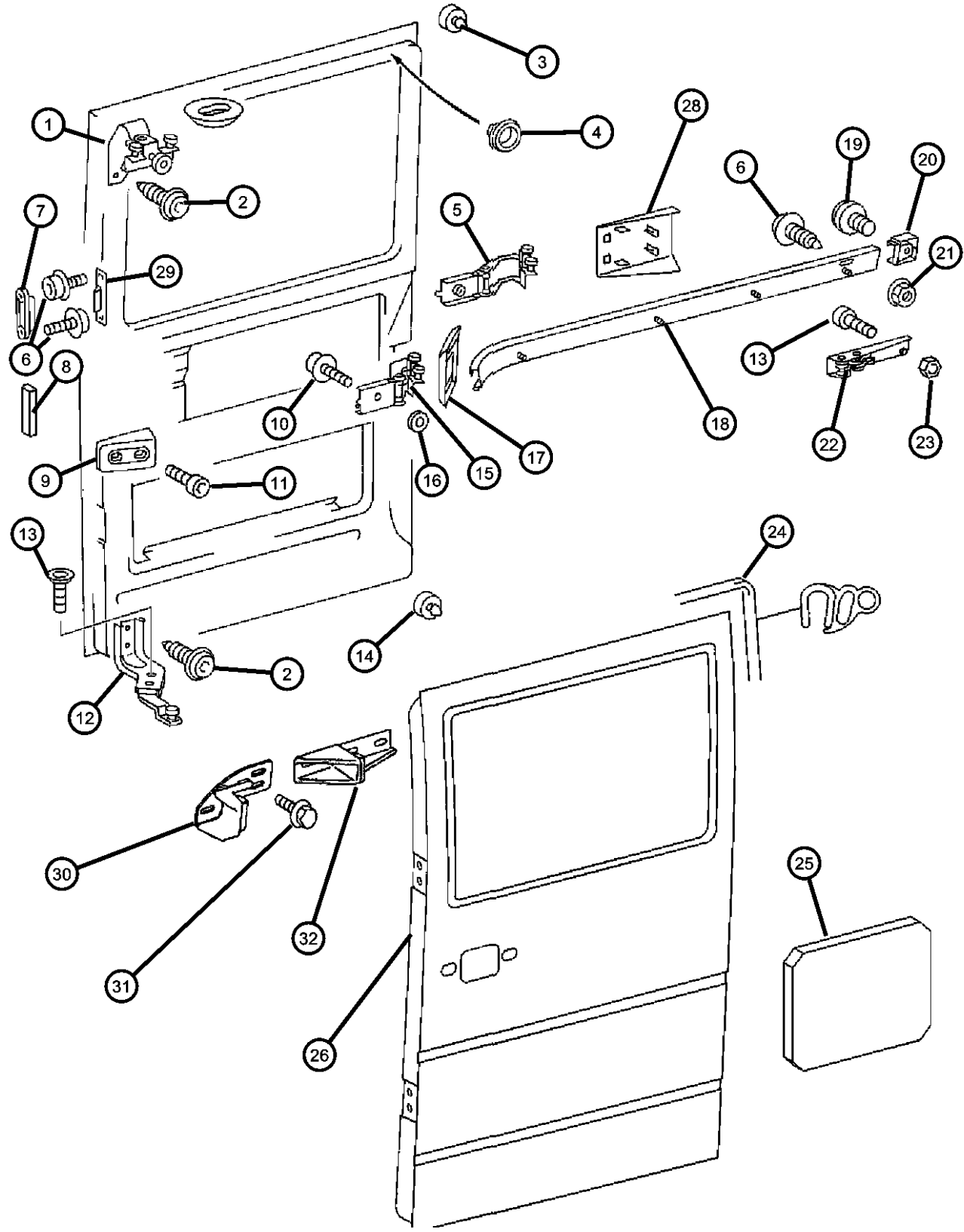
ITEM	PART NUMBER	QTY	LINE	SERIES	BODY	ENGINE	TRANS	TRIM	DESCRIPTION
	05104360AA	2	2, 6	L	11, 12, 14, 15, 16				[(4Z1%4XS)+GKE]
		1	2, 6	L	11, 12, 14, 15, 16				[4Z1%4XS]
		2	2, 6	L	51, 52, 54, 55, 56				[(4Z1%4XS)+GKE]
		1	2, 6	L	51, 52, 54, 55, 56				[4Z1%4XS]
		2	3, 7	L	12, 15, 16				[(4Z1%4XS)+GKE]
		1	3, 7	L	12, 15, 16				[4Z1%4XS]
28	05104589AA	1	2, 6	L	11, 12, 14, 15, 16				COVER, Sliding Door Check GKE+GKG
		1	2, 6	L	11, 12, 14, 15, 16				GKA+GKG
		1	3, 7	L	12, 15				5AE+GKE
		1	3, 7	L	12, 15				5AE+GKA
29	05124110AA	2	2, 6	L	11, 12, 14, 15, 16				TAPPING PLATE, Side Door Lock Striker Left
		2	2, 6	L	51, 52, 54, 55, 56				Left
		2	2, 6	L	11, 12, 14, 15, 16				Right
		2	3, 7	L	12, 15, 16				Left
		2	3, 7	L	12, 15, 16				Right
		2	2, 6	L	51, 52, 54, 55, 56				Right
30									STOPPER, Cargo Door Upper
	05127211AA	1	2, 6	L	11, 12, 14, 15, 16				Upper
		1	3, 7	L	12, 15, 16				Upper
31									SCREW

SPRINTER (VA)

SERIES	LINE	BODY	ENGINE	TRANSMISSION
L = LOWLINE	3 = HD DODGE 2WD 8 = HD DODGE 4WD 6 = Lt. Duty DODGE 4WD 2 = Med. Duty DODGE 2WD 7 = Med. Duty DODGE 4WD 4 = TRUCK	01 = CHASSIS FORWARD CONTROL W.B.1 02 = CAB CHASSIS WHEEL BASE 2 06 = CAB CHASSIS WHEEL BASE 6 11 = VAN WHEEL BASE 1 12 = VAN WHEEL BASE 2 51 = WAGON WHEEL BASE 1 52 = WAGON WHEEL BASE 2 14 = VAN WHEEL BASE 4 15 = VAN WHEEL BASE 5 54 = WAGON WHEEL BASE 4 55 = WAGON WHEEL BASE 5 56 = WAGON WHEEL BASE 6 16 = VAN WHEEL BASE 6	EX8 = 2.7L I5 Turbo Diesel Engine EX9 = 2.7L I5 Mercedes-Benz TD Engine	DGJ = 5-Speed Automatic MB Transmission DGZ = 4-Spd. Automatic MT643 Transmission

AR = use ase required - = Non illustrated part

Door, Cargo Sliding Shell and Hinges
Figure DVA-310



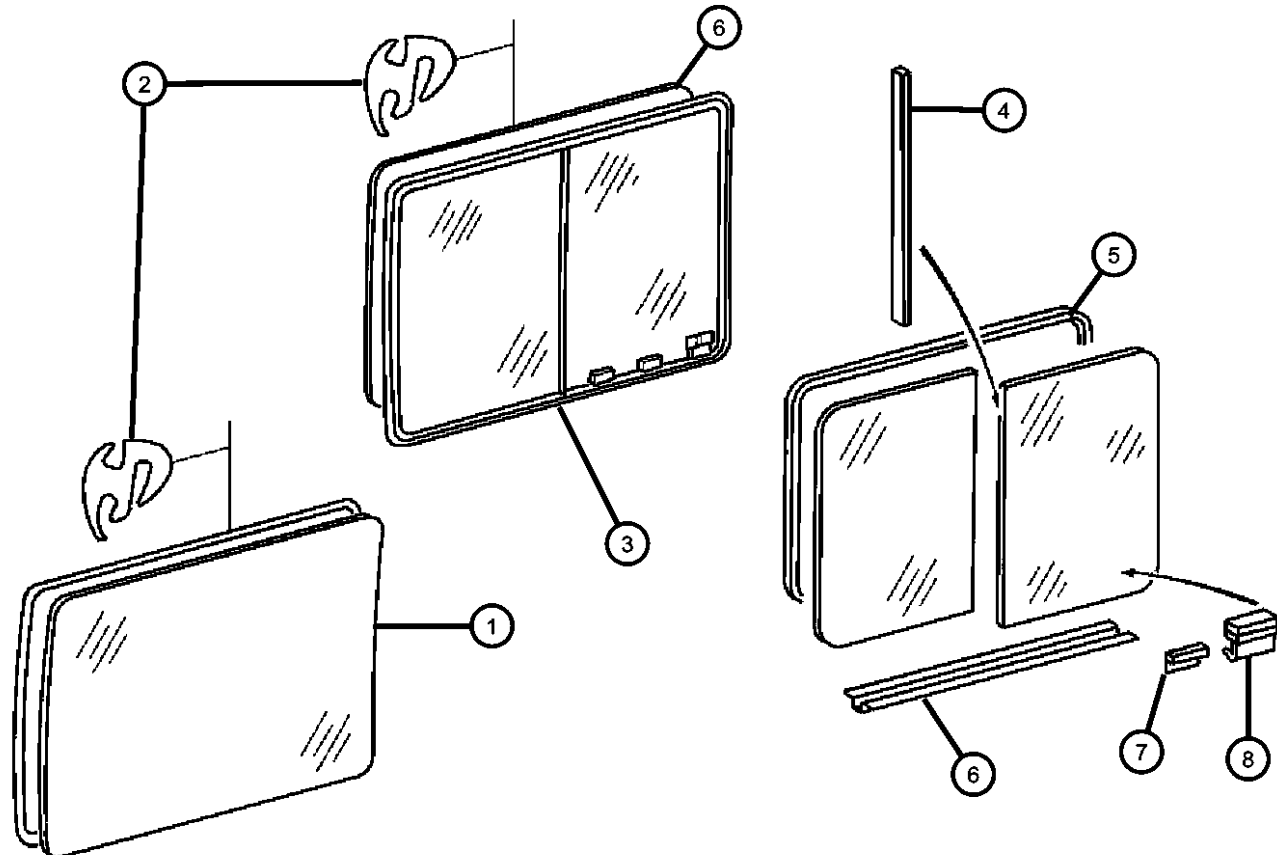
ITEM	PART NUMBER	QTY	LINE	SERIES	BODY	ENGINE	TRANS	TRIM	DESCRIPTION
	05114443AA	2	2, 6	L	11, 12, 14, 15, 16				Need A Quantity Of 6, Left
		2	2, 6	L	51, 52, 54, 55, 56				Need A Quantity Of 6, Left
		2	2, 6	L	11, 12, 14, 15, 16				Need A Quantity Of 6, Right
		2	2, 6	L	51, 52, 54, 55, 56				Need A Quantity Of 6, Right
		2	3, 7	L	12, 15, 16				Need A Quantity Of 6, Left
		2	3, 7	L	12, 15, 16				Need A Quantity Of 6, Right
32									STOPPER, Cargo Door
	05127212AA	1	2, 6	L	11, 12, 14, 15, 16				Lower
		1	3, 7	L	12, 15, 16				Lower
-33									REINFORCEMENT, Door Inner
	05127213AA	1	2, 6	L	15, 16, 11, 12, 14				
		1	3, 7	L	12, 15, 16				
-34									REINFORCEMENT, Door Inner
	05127214AA	1	2, 6	L	11, 12, 14, 15, 16				
		1	3, 7	L	12, 15, 16				

SPRINTER (VA)

SERIES	LINE	BODY	ENGINE	TRANSMISSION
L = LOWLINE	3 = HD DODGE 2WD 8 = HD DODGE 4WD 6 = Lt. Duty DODGE 4WD 2 = Med. Duty DODGE 2WD 7 = Med. Duty DODGE 4WD 4 = TRUCK	01 = CHASSIS FORWARD CONTROL W.B.1 02 = CAB CHASSIS WHEEL BASE 2 06 = CAB CHASSIS WHEEL BASE 6 11 = VAN WHEEL BASE 1 12 = VAN WHEEL BASE 2 51 = WAGON WHEEL BASE 1 52 = WAGON WHEEL BASE 2 14 = VAN WHEEL BASE 4 15 = VAN WHEEL BASE 5 54 = WAGON WHEEL BASE 4 55 = WAGON WHEEL BASE 5 56 = WAGON WHEEL BASE 6 16 = VAN WHEEL BASE 6	EX8 = 2.7L I5 Turbo Diesel Engine EX9 = 2.7L I5 Mercedes-Benz TD Engine	DGJ = 5-Speed Automatic MB Transmission DGZ = 4-Spd. Automatic MT643 Transmission

AR = use ase required - = Non illustrated part

**Door, Sliding Cargo Glass
Figure DVA-320**



ITEM	PART NUMBER	QTY	LINE	SERIES	BODY	ENGINE	TRANS	TRIM	DESCRIPTION
1	05104363AA	1	2, 6	L	11, 12, 14, 15, 16				GLASS, Side Cargo Door, Fixed
		1	2, 6	L	51, 52, 54, 55, 56				
		1	3, 7	L	12, 15, 16				
2	05104364AA	1	2, 6	L	11, 12, 14, 15, 16				WEATHERSTRIP, Sliding Door Glass
		1	2, 6	L	51, 52, 54, 55, 56				
		1	3, 7	L	12, 15, 16				
3	05123832AA	1	2, 6	L	51, 52, 54, 55, 56				GLASS, Sliding Door, Vented [3FQ], Left
		1	3, 7	L	12, 15, 16				[3FQ], Left
	05123834AA	1	2, 6	L	11, 12, 14, 15, 16				[3FQ], Right
		1	2, 6	L	51, 52, 54, 55, 56				[3FQ], Right
		1	3, 7	L	12, 15, 16				[3FQ], Right
		1	2, 6	L	11, 12, 14, 15, 16				[3FQ], Left
4	05133536AA	1	2, 6	L	51, 52, 54, 55, 56				WEATHERSTRIP, Side Panel Vent
		1	3, 7	L	12, 15, 16				
		1	2, 6	L	11, 12, 14, 15, 16				
5	05133533AA	1	2, 6	L	11, 12, 14, 15, 16				WEATHERSTRIP, Side Panel Vent
		1	2, 6	L	51, 52, 54, 55, 56				

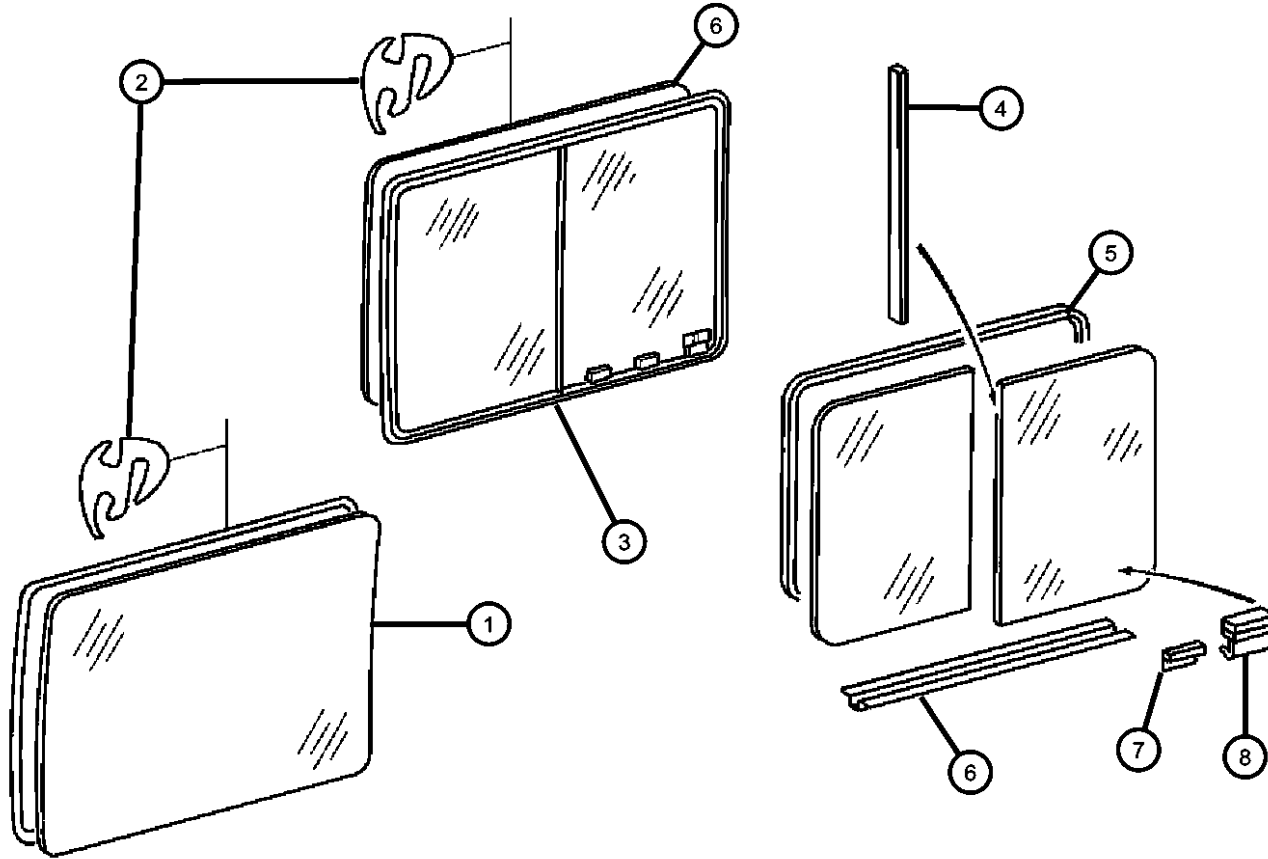
SPRINTER (VA)

SERIES	LINE	BODY	ENGINE	TRANSMISSION
L = LOWLINE	3 = HD DODGE 2WD 8 = HD DODGE 4WD 6 = Lt. Duty DODGE 4WD 2 = Med. Duty DODGE 2WD 7 = Med. Duty DODGE 4WD 4 = TRUCK	01 = CHASSIS FORWARD CONTROL W.B.1 02 = CAB CHASSIS WHEEL BASE 2 06 = CAB CHASSIS WHEEL BASE 6 11 = VAN WHEEL BASE 1 12 = VAN WHEEL BASE 2 51 = WAGON WHEEL BASE 1 52 = WAGON WHEEL BASE 2 14 = VAN WHEEL BASE 4 15 = VAN WHEEL BASE 5 54 = WAGON WHEEL BASE 4 55 = WAGON WHEEL BASE 5 56 = WAGON WHEEL BASE 6 16 = VAN WHEEL BASE 6	EX8 = 2.7L I5 Turbo Diesel Engine EX9 = 2.7L I5 Mercedes-Benz TD Engine	DGJ = 5-Speed Automatic MB Transmission DGZ = 4-Spd. Automatic MT643 Transmission

AR = use ase required - = Non illustrated part

**Door, Sliding Cargo Glass
Figure DVA-320**

ITEM	PART NUMBER	QTY	LINE	SERIES	BODY	ENGINE	TRANS	TRIM	DESCRIPTION
6		1	3, 7	L	12, 15, 16				WEATHERSTRIP, Glass Channel Run
	05133537AA	1	3, 7	L	12, 15, 16				
		1	2, 6	L	11, 12, 14, 15, 16				
		1	2, 6	L	51, 52, 54, 55, 56				
7									RETAINER, Side Panel Vent Window
	05133535AA	1	2, 6	L	11, 12, 14, 15, 16				
		1	2, 6	L	51, 52, 54, 55, 56				
		1	3, 7	L	12, 15, 16				
8									WEATHERSTRIP, Side Panel Vent
	05133536AA	1	3, 7	L	12, 15, 16				
		1	2, 6	L	11, 12, 14, 15, 16				
		1	2, 6	L	51, 52, 54, 55, 56				

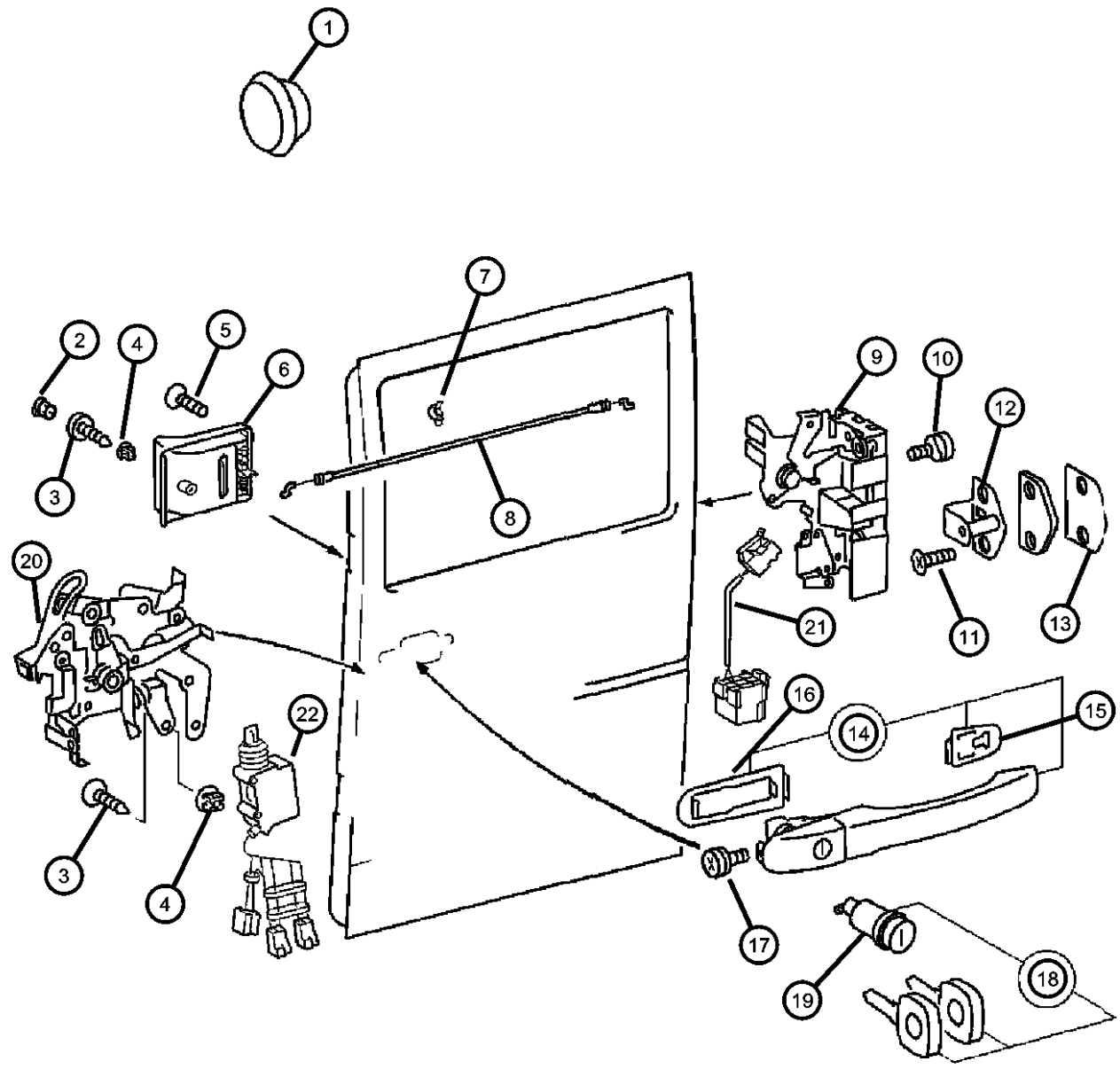


SPRINTER (VA)

SERIES	LINE	BODY	ENGINE	TRANSMISSION
L = LOWLINE	3 = HD DODGE 2WD 8 = HD DODGE 4WD 6 = Lt. Duty DODGE 4WD 2 = Med. Duty DODGE 2WD 7 = Med. Duty DODGE 4WD 4 = TRUCK	01 = CHASSIS FORWARD CONTROL W.B.1 02 = CAB CHASSIS WHEEL BASE 2 06 = CAB CHASSIS WHEEL BASE 6 11 = VAN WHEEL BASE 1 12 = VAN WHEEL BASE 2 51 = WAGON WHEEL BASE 1 52 = WAGON WHEEL BASE 2 14 = VAN WHEEL BASE 4 15 = VAN WHEEL BASE 5 54 = WAGON WHEEL BASE 4 55 = WAGON WHEEL BASE 5 56 = WAGON WHEEL BASE 6 16 = VAN WHEEL BASE 6	EX8 = 2.7L I5 Turbo Diesel Engine EX9 = 2.7L I5 Mercedes-Benz TD Engine	DGJ = 5-Speed Automatic MB Transmission DGZ = 4-Spd. Automatic MT643 Transmission

AR = use ase required - = Non illustrated part

Door, Sliding Cargo Lock and Controls
Figure DVA-330



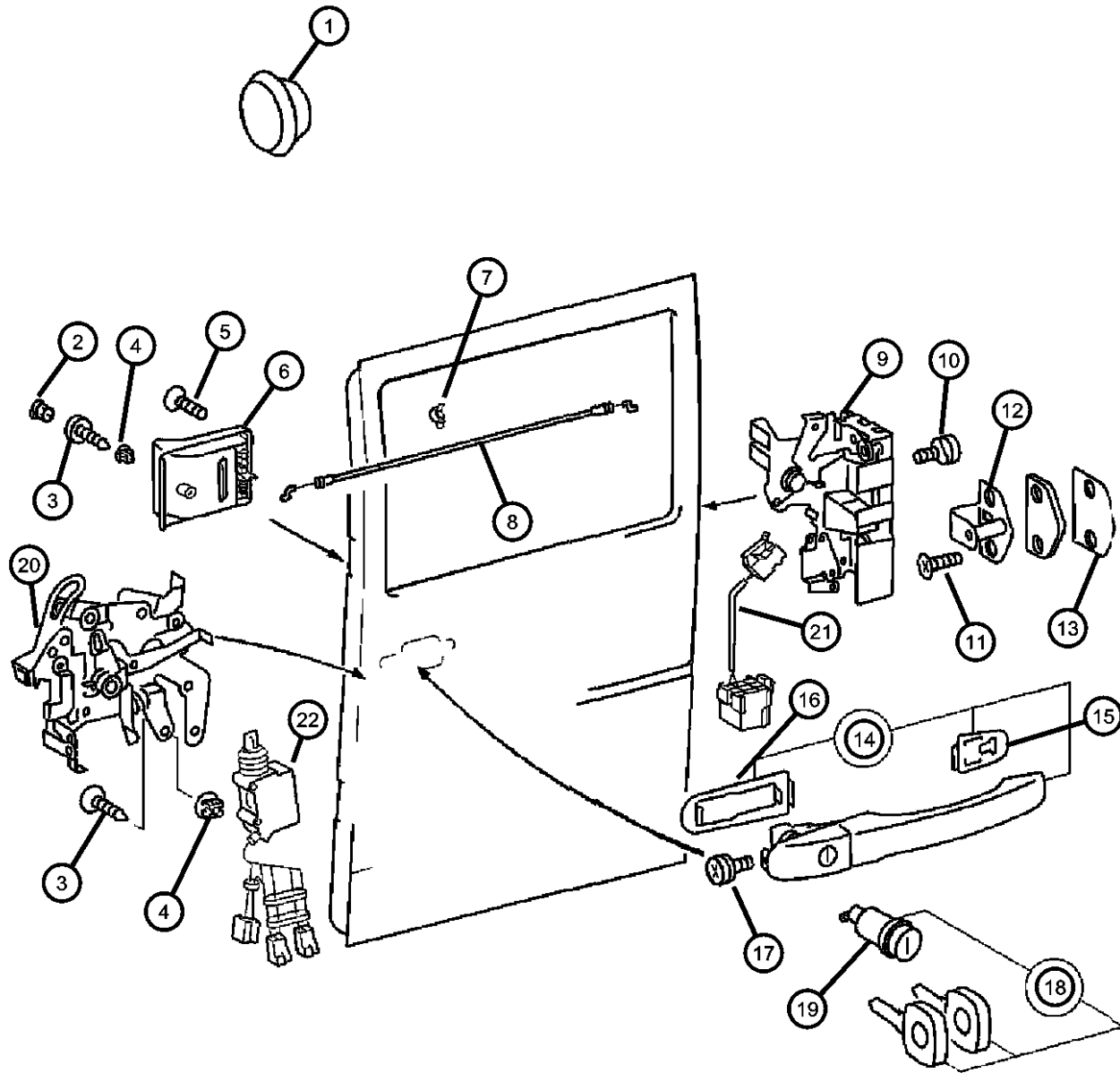
ITEM	PART NUMBER	QTY	LINE	SERIES	BODY	ENGINE	TRANS	TRIM	DESCRIPTION
1	05125508AA	1	2, 6	L	11, 12, 14, 15, 16				PLUG, Door
		1	2, 6	L	51, 52, 54, 55, 56				
		1	3, 7	L	12, 15, 16				
2	0ZF54DX9AA	1	2, 6	L	11, 12, 14, 15, 16				CAP, Door Handle Screw Cover
		1	2, 6	L	51, 52, 54, 55, 56				
		1	3, 7	L	12, 15, 16				
3	05104632AA	2	2, 6	L	11, 12, 14, 15, 16				SCREW
		2	2, 6	L	51, 52, 54, 55, 56				
		2	3, 7	L	12, 15, 16				
4	05125862AA	1	2, 6	L	11, 12, 14, 15, 16				NUT
		1	2, 6	L	51, 52, 54, 55, 56				
		1	3, 7	L	12, 15, 16				
5	05104679AA	1	2, 6	L	11, 12, 14, 15, 16				SCREW
		1	2, 6	L	51, 52, 54, 55, 56				
		4	3, 7	L	12, 15, 16				
6	05132049AA	1	2, 6	L	11, 12, 14, 15, 16				HANDLE, Sliding Door Interior
		1	2, 6	L	51, 52, 54, 55, 56				

SPRINTER (VA)

SERIES	LINE	BODY	ENGINE	TRANSMISSION
L = LOWLINE	3 = HD DODGE 2WD 8 = HD DODGE 4WD 6 = Lt. Duty DODGE 4WD 2 = Med. Duty DODGE 2WD 7 = Med. Duty DODGE 4WD 4 = TRUCK	01 = CHASSIS FORWARD CONTROL W.B.1 02 = CAB CHASSIS WHEEL BASE 2 06 = CAB CHASSIS WHEEL BASE 6 11 = VAN WHEEL BASE 1 12 = VAN WHEEL BASE 2 51 = WAGON WHEEL BASE 1 52 = WAGON WHEEL BASE 2 14 = VAN WHEEL BASE 4 15 = VAN WHEEL BASE 5 54 = WAGON WHEEL BASE 4 55 = WAGON WHEEL BASE 5 56 = WAGON WHEEL BASE 6 16 = VAN WHEEL BASE 6	EX8 = 2.7L I5 Turbo Diesel Engine EX9 = 2.7L I5 Mercedes-Benz TD Engine	DGJ = 5-Speed Automatic MB Transmission DGZ = 4-Spd. Automatic MT643 Transmission

AR = use ase required - = Non illustrated part

Door, Sliding Cargo Lock and Controls
Figure DVA-330



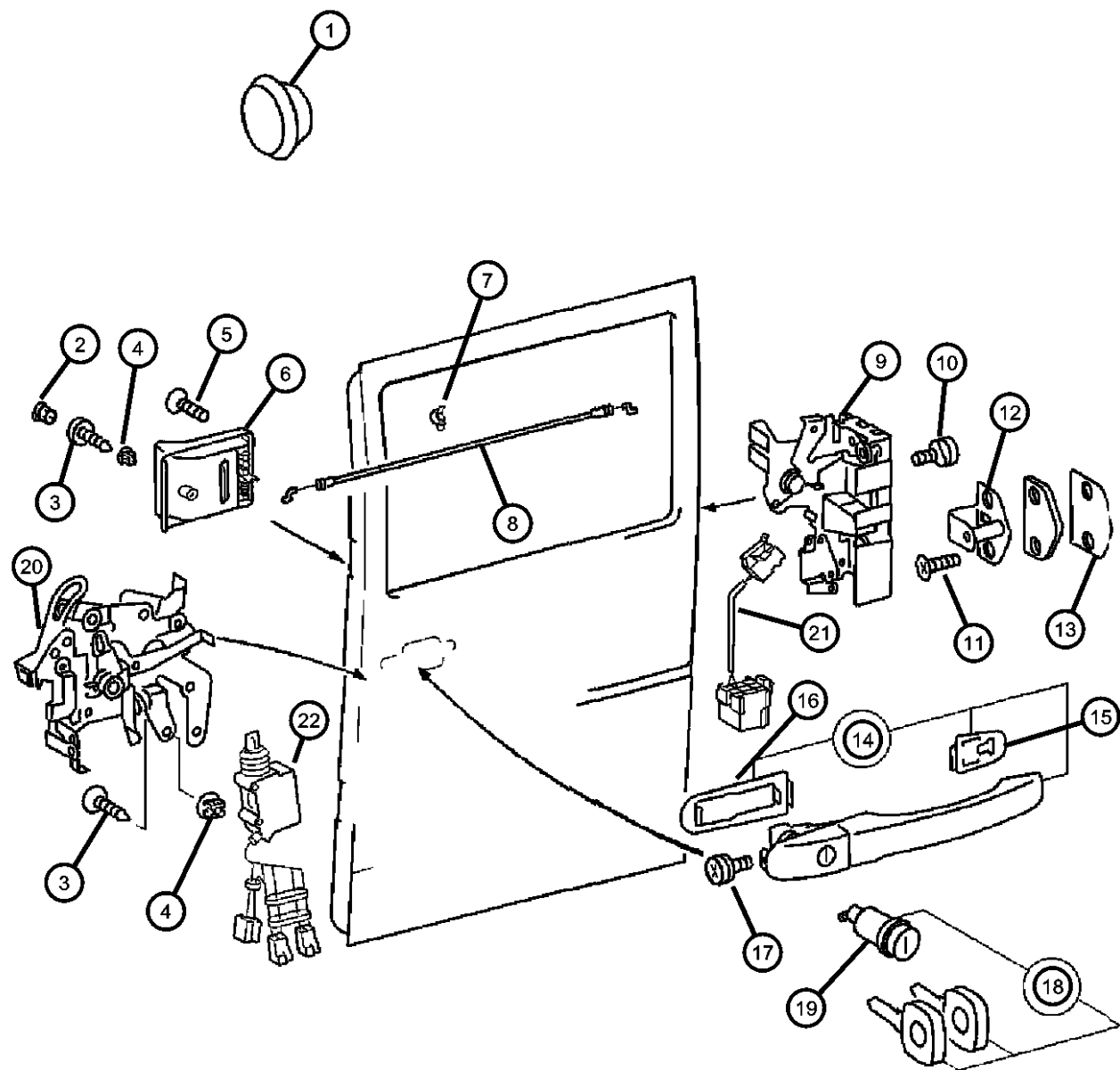
ITEM	PART NUMBER	QTY	LINE	SERIES	BODY	ENGINE	TRANS	TRIM	DESCRIPTION
7	05103736AA	1	2, 6	L	11, 12, 14, 15, 16				CLAMP
		1	2, 6	L	51, 52, 54, 55, 56				
		1	3, 7	L	12, 15, 16				
8	05103587AA	1	2, 6	L	11, 12, 14, 15, 16				ROD, Inside Handle to Latch
		1	2, 6	L	51, 52, 54, 55, 56				
		1	3, 7	L	12, 15, 16				
9	05104357AA	1	2, 6	L	11, 12, 14, 15, 16				LATCH, Cargo Door Left
		1	2, 6	L	51, 52, 54, 55, 56				Left
		1	3, 7	L	12, 15, 16				Left
	05104358AA	1	2, 6	L	11, 12, 14, 15, 16				Right
		1	2, 6	L	51, 52, 54, 55, 56				Right
		1	3, 7	L	12, 15, 16				Right
10	05103723AA	3	2, 6	L	01, 02, 06				SCREW
		3	2, 6	L	11, 12, 14, 15, 16				
		3	2, 6	L	51, 52, 54, 55, 56				
		3	3, 7	L	02, 06				
		3	3, 7	L	12, 15, 16				
11	05103715AA	2	2, 6	L	01, 02, 06				SCREW

SPRINTER (VA)

SERIES	LINE	BODY	ENGINE	TRANSMISSION
L = LOWLINE	3 = HD DODGE 2WD 8 = HD DODGE 4WD 6 = Lt. Duty DODGE 4WD 2 = Med. Duty DODGE 2WD 7 = Med. Duty DODGE 4WD 4 = TRUCK	01 = CHASSIS FORWARD CONTROL W.B.1 02 = CAB CHASSIS WHEEL BASE 2 06 = CAB CHASSIS WHEEL BASE 6 11 = VAN WHEEL BASE 1 12 = VAN WHEEL BASE 2 51 = WAGON WHEEL BASE 1 52 = WAGON WHEEL BASE 2 14 = VAN WHEEL BASE 4 15 = VAN WHEEL BASE 5 54 = WAGON WHEEL BASE 4 55 = WAGON WHEEL BASE 5 56 = WAGON WHEEL BASE 6 16 = VAN WHEEL BASE 6	EX8 = 2.7L I5 Turbo Diesel Engine EX9 = 2.7L I5 Mercedes-Benz TD Engine	DGJ = 5-Speed Automatic MB Transmission DGZ = 4-Spd. Automatic MT643 Transmission

AR = use ase required - = Non illustrated part

Door, Sliding Cargo Lock and Controls
Figure DVA-330



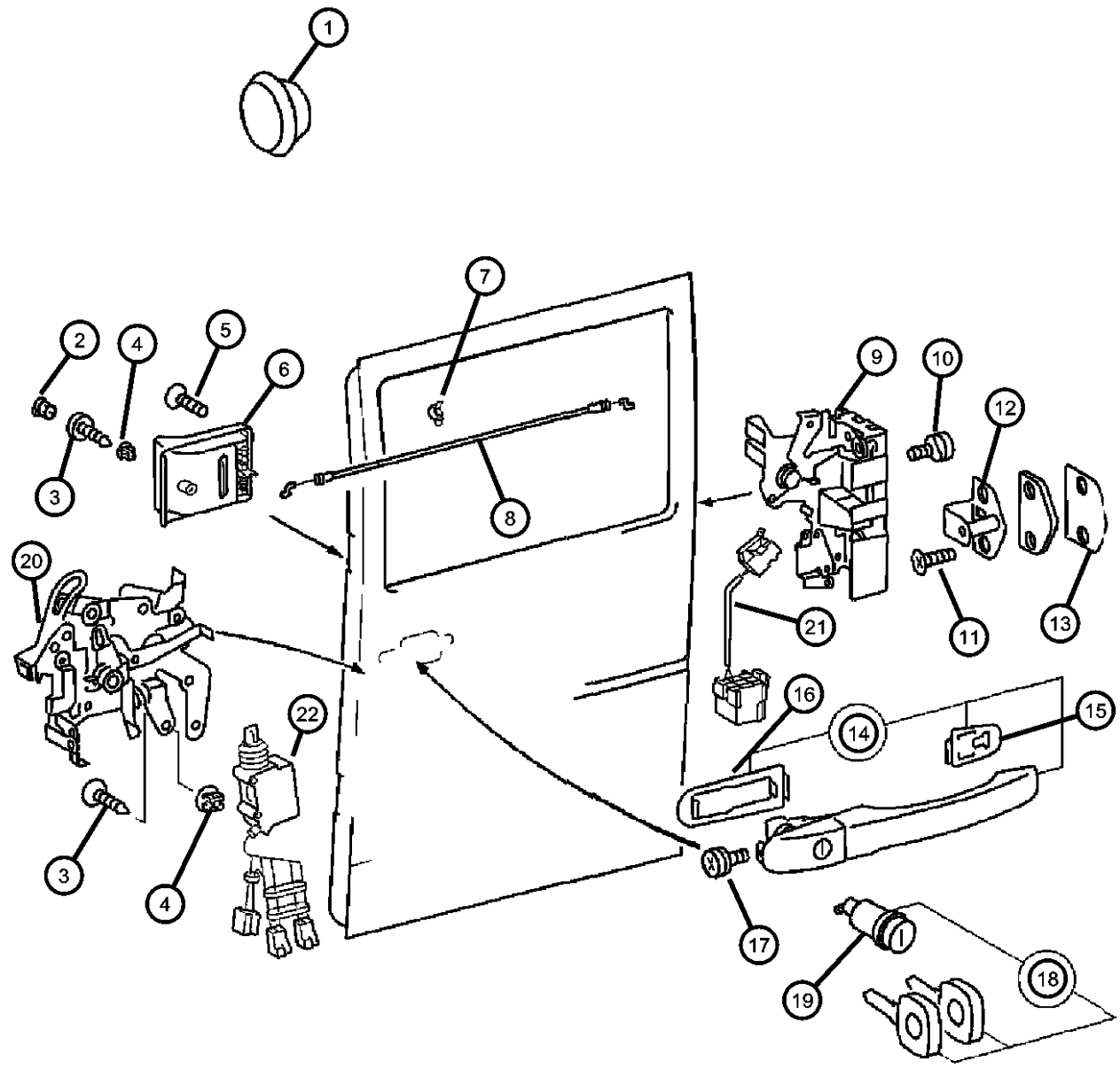
ITEM	PART NUMBER	QTY	LINE	SERIES	BODY	ENGINE	TRANS	TRIM	DESCRIPTION
		2	2, 6	L	11, 12, 14, 15, 16				
		2	2, 6	L	51, 52, 54, 55, 56				
		2	3, 7	L	02, 06				
		2	3, 7	L	12, 15, 16				
12									LATCH, Front Door
	05123700AA	1	2, 6	L	01, 02, 06				
		1	2, 6	L	11, 12, 14, 15, 16				
		1	2, 6	L	51, 52, 54, 55, 56				
		1	3, 7	L	02, 06				
		1	3, 7	L	12, 15, 16				
13									PLATE, Striker
	05103591AA	1	2, 6	L	11, 12, 14, 15, 16				
		1	2, 6	L	51, 52, 54, 55, 56				
		1	3, 7	L	12, 15, 16				
14									HANDLE, Cargo Door
	05104415AA	1	2, 6	L	11, 12, 14, 15, 16				
		1	2, 6	L	51, 52, 54, 55, 56				
		1	3, 7	L	12, 15, 16				
15									PAD
	05103672AA	1	2, 6	L	01, 02, 06				
		1	2, 6	L	11, 12, 14, 15, 16				
		1	2, 6	L	51, 52, 54, 55, 56				
		1	3, 7	L	02, 06				

SPRINTER (VA)

SERIES	LINE	BODY	ENGINE	TRANSMISSION
L = LOWLINE	3 = HD DODGE 2WD 8 = HD DODGE 4WD 6 = Lt. Duty DODGE 4WD 2 = Med. Duty DODGE 2WD 7 = Med. Duty DODGE 4WD 4 = TRUCK	01 = CHASSIS FORWARD CONTROL W.B.1 02 = CAB CHASSIS WHEEL BASE 2 06 = CAB CHASSIS WHEEL BASE 6 11 = VAN WHEEL BASE 1 12 = VAN WHEEL BASE 2 51 = WAGON WHEEL BASE 1 52 = WAGON WHEEL BASE 2 14 = VAN WHEEL BASE 4 15 = VAN WHEEL BASE 5 54 = WAGON WHEEL BASE 4 55 = WAGON WHEEL BASE 5 56 = WAGON WHEEL BASE 6 16 = VAN WHEEL BASE 6	EX8 = 2.7L I5 Turbo Diesel Engine EX9 = 2.7L I5 Mercedes-Benz TD Engine	DGJ = 5-Speed Automatic MB Transmission DGZ = 4-Spd. Automatic MT643 Transmission

AR = use ase required - = Non illustrated part

Door, Sliding Cargo Lock and Controls
Figure DVA-330



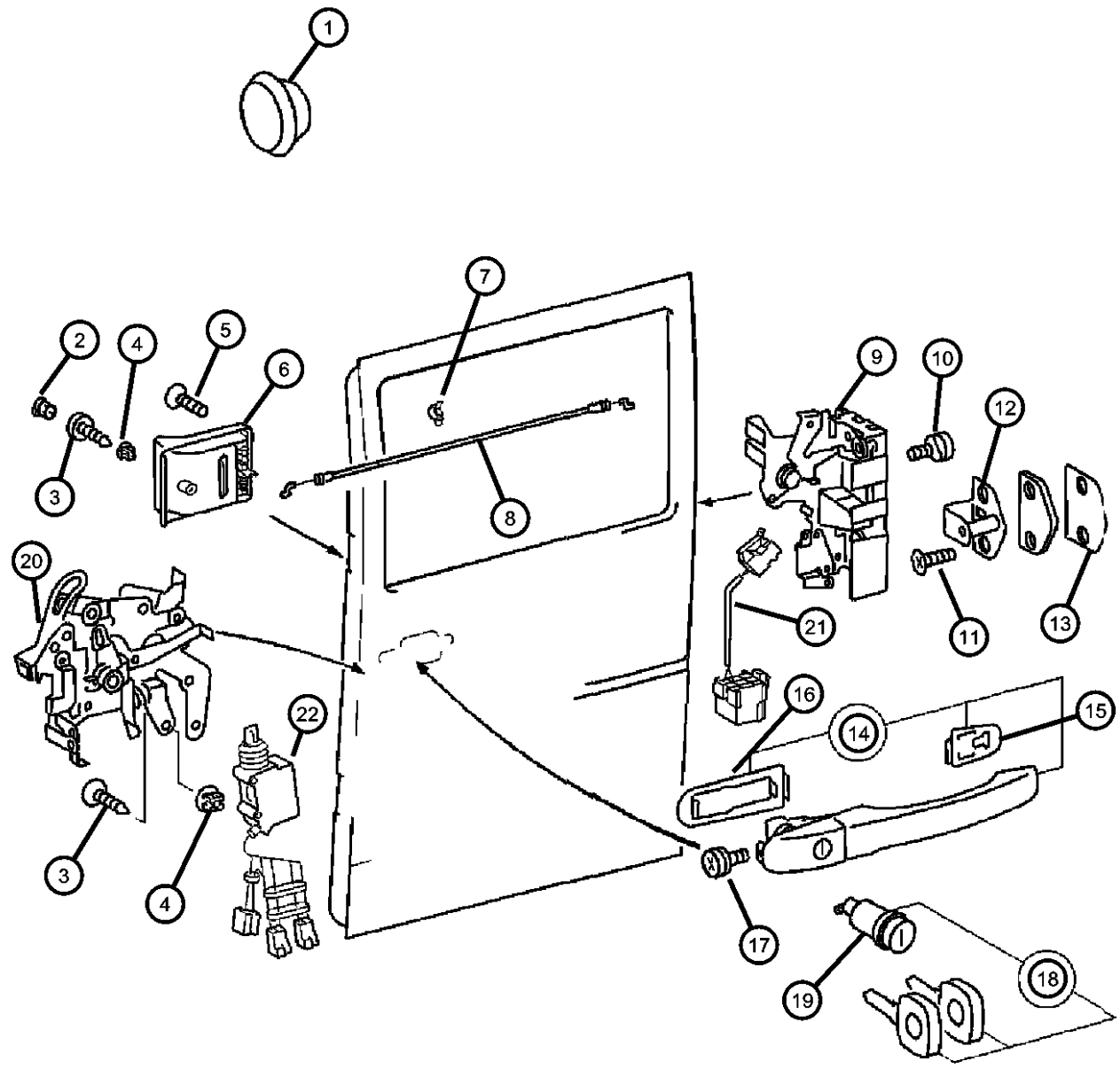
ITEM	PART NUMBER	QTY	LINE	SERIES	BODY	ENGINE	TRANS	TRIM	DESCRIPTION
16		1	3, 7	L	12, 15, 16				PAD
	05103673AA	1	2, 6	L	01, 02, 06				
		1	2, 6	L	11, 12, 14, 15, 16				
		1	2, 6	L	51, 52, 54, 55, 56				
		1	3, 7	L	02, 06				
		1	3, 7	L	12, 15, 16				
17									SCREW, Front Door Handle
	05125414AA	1	2, 6	L	01, 02, 06				
		1	2, 6	L	11, 12, 14, 15, 16				
		1	2, 6	L	51, 52, 54, 55, 56				
		1	3, 7	L	02, 06				
		1	3, 7	L	12, 15, 16				
18									CYLINDER, Door Lock
	05114364AA	1	2, 6	L	11, 12, 14, 15, 16				
		1	2, 6	L	51, 52, 54, 55, 56				
		1	2, 6	L	01, 02, 06				
		1	3, 7	L	02, 06				
		1	3, 7	L	12, 15, 16				
19									CYLINDER, Door Lock
	05114364AA	1	2, 6	L	11, 12, 14, 15, 16				
		1	2, 6	L	51, 52, 54, 55, 56				
		1	2, 6	L	01, 02, 06				
		1	3, 7	L	02, 06				

SPRINTER (VA)

SERIES	LINE	BODY	ENGINE	TRANSMISSION
L = LOWLINE	3 = HD DODGE 2WD 8 = HD DODGE 4WD 6 = Lt. Duty DODGE 4WD 2 = Med. Duty DODGE 2WD 7 = Med. Duty DODGE 4WD 4 = TRUCK	01 = CHASSIS FORWARD CONTROL W.B.1 02 = CAB CHASSIS WHEEL BASE 2 06 = CAB CHASSIS WHEEL BASE 6 11 = VAN WHEEL BASE 1 12 = VAN WHEEL BASE 2 51 = WAGON WHEEL BASE 1 52 = WAGON WHEEL BASE 2 14 = VAN WHEEL BASE 4 15 = VAN WHEEL BASE 5 54 = WAGON WHEEL BASE 4 55 = WAGON WHEEL BASE 5 56 = WAGON WHEEL BASE 6 16 = VAN WHEEL BASE 6	EX8 = 2.7L I5 Turbo Diesel Engine EX9 = 2.7L I5 Mercedes-Benz TD Engine	DGJ = 5-Speed Automatic MB Transmission DGZ = 4-Spd. Automatic MT643 Transmission

AR = use ase required - = Non illustrated part

Door, Sliding Cargo Lock and Controls
Figure DVA-330



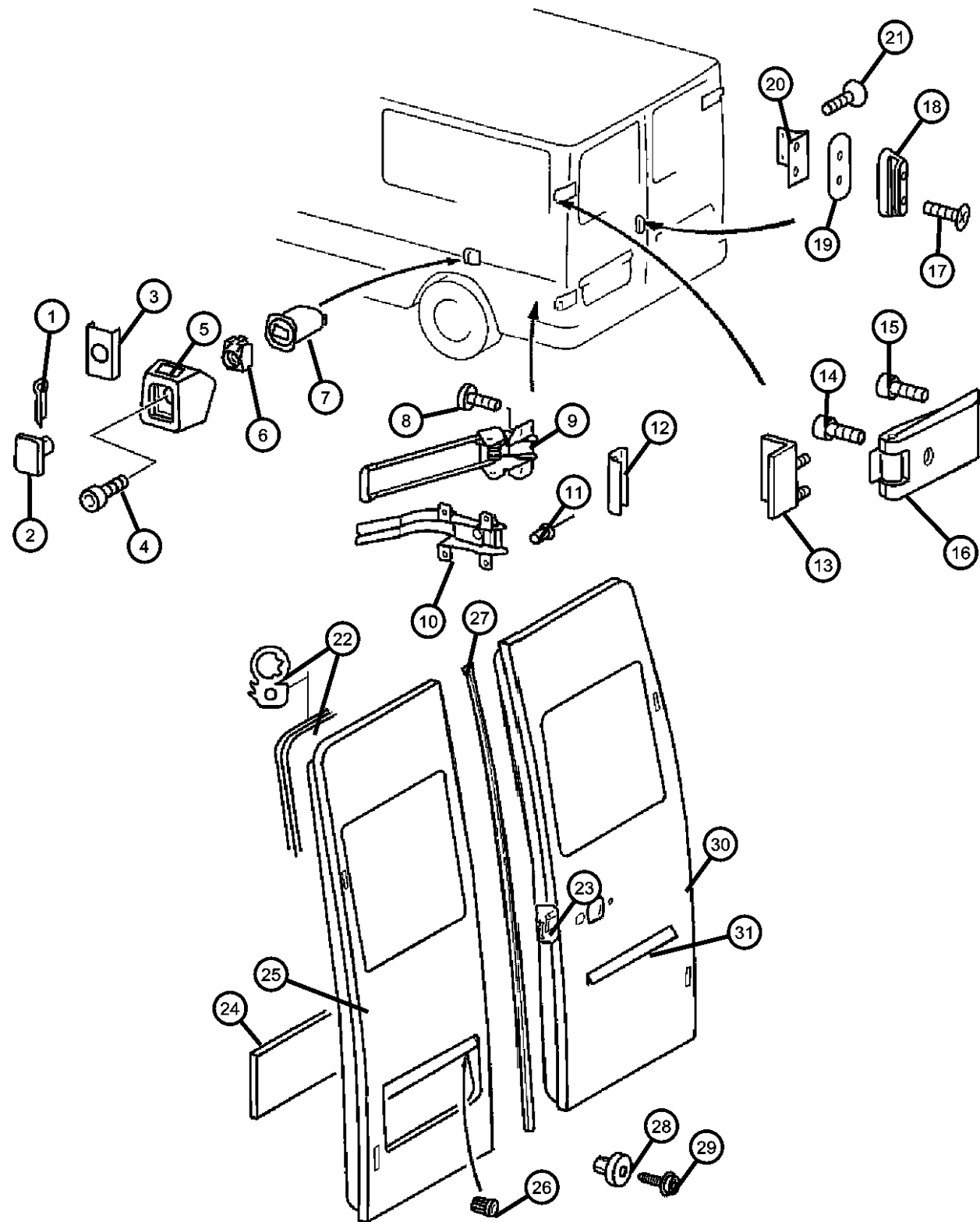
ITEM	PART NUMBER	QTY	LINE	SERIES	BODY	ENGINE	TRANS	TRIM	DESCRIPTION
20		1	3, 7	L	12, 15, 16				LOCK, Side Cargo Door
	05104359AA	1	2, 6	L	11, 12, 14, 15, 16				Right
		1	3, 7	L	12, 15, 16				Right
	05123814AA	1	2, 6	L	11, 12, 14, 15, 16				Left
		1	3, 7	L	12, 15, 16				Left
21		1	3, 7	L	12, 15, 16				SWITCH, Door Lock
	05133527AA	1	2, 6	L	11, 12, 14, 15, 16				Right
		1	2, 6	L	51, 52, 54, 55, 56				Right
		1	3, 7	L	12, 15, 16				Right
	05133999AA	1	2, 6	L	11, 12, 14, 15, 16				Left
		1	2, 6	L	51, 52, 54, 55, 56				Left
		1	3, 7	L	12, 15, 16				Left
22		1	3, 7	L	12, 15, 16				ACTUATOR, Power Door Lock
	05103756AA	1	2, 6	L	11, 12, 14, 15, 16				
		1	2, 6	L	51, 52, 54, 55, 56				
		1	3, 7	L	12, 15, 16				

SPRINTER (VA)

SERIES	LINE	BODY	ENGINE	TRANSMISSION
L = LOWLINE	3 = HD DODGE 2WD 8 = HD DODGE 4WD 6 = Lt. Duty DODGE 4WD 2 = Med. Duty DODGE 2WD 7 = Med. Duty DODGE 4WD 4 = TRUCK	01 = CHASSIS FORWARD CONTROL W.B.1 02 = CAB CHASSIS WHEEL BASE 2 06 = CAB CHASSIS WHEEL BASE 6 11 = VAN WHEEL BASE 1 12 = VAN WHEEL BASE 2 51 = WAGON WHEEL BASE 1 52 = WAGON WHEEL BASE 2 14 = VAN WHEEL BASE 4 15 = VAN WHEEL BASE 5 54 = WAGON WHEEL BASE 4 55 = WAGON WHEEL BASE 5 56 = WAGON WHEEL BASE 6 16 = VAN WHEEL BASE 6	EX8 = 2.7L I5 Turbo Diesel Engine EX9 = 2.7L I5 Mercedes-Benz TD Engine	DGJ = 5-Speed Automatic MB Transmission DGZ = 4-Spd. Automatic MT643 Transmission

AR = use ase required - = Non illustrated part

Door, Cargo Shell and Hinges
Figure DVA-410



ITEM	PART NUMBER	QTY	LINE	SERIES	BODY	ENGINE	TRANS	TRIM	DESCRIPTION
1	05104611AA	2	2, 6	L	11, 12, 14, 15, 16				PIN, Cotter
		2	2, 6	L	51, 52, 54, 55, 56				
		2	3, 7	L	12, 15, 16				
2	05104423AA	1	2, 6	L	11, 12, 14, 15, 16				MAGNET
		1	2, 6	L	51, 52, 54, 55, 56				
		1	3, 7	L	12, 15, 16				
3	05104433AA	1	2, 6	L	11, 12, 14, 15, 16				PLATE, Support
		1	2, 6	L	51, 52, 54, 55, 56				
		1	3, 7	L	12, 15, 16				
4	05103719AA	1	2, 6	L	11, 12, 14, 15, 16				SCREW
		1	2, 6	L	51, 52, 54, 55, 56				
		1	3, 7	L	12, 15, 16				
5	05104369AA	1	2, 6	L	11, 12, 14, 15, 16				BUMPER, Door
		1	2, 6	L	51, 52, 54, 55, 56				
		1	3, 7	L	12, 15, 16				
6	05103840AA	1	2, 6	L	11, 12, 14, 15, 16				NUT, Snap In
		1	2, 6	L	51, 52, 54, 55, 56				

SPRINTER (VA)

SERIES

L = LOWLINE
 3 = HD DODGE 2WD
 8 = HD DODGE 4WD
 6 = Lt. Duty DODGE 4WD
 2 = Med. Duty DODGE 2WD
 7 = Med. Duty DODGE 4WD
 4 = TRUCK

LINE

BODY

01 = CHASSIS FORWARD CONTROL W.B.1
 02 = CAB CHASSIS WHEEL BASE 2
 06 = CAB CHASSIS WHEEL BASE 6
 11 = VAN WHEEL BASE 1
 12 = VAN WHEEL BASE 2
 51 = WAGON WHEEL BASE 1
 52 = WAGON WHEEL BASE 2
 14 = VAN WHEEL BASE 4
 15 = VAN WHEEL BASE 5
 54 = WAGON WHEEL BASE 4
 55 = WAGON WHEEL BASE 5
 56 = WAGON WHEEL BASE 6
 16 = VAN WHEEL BASE 6

ENGINE

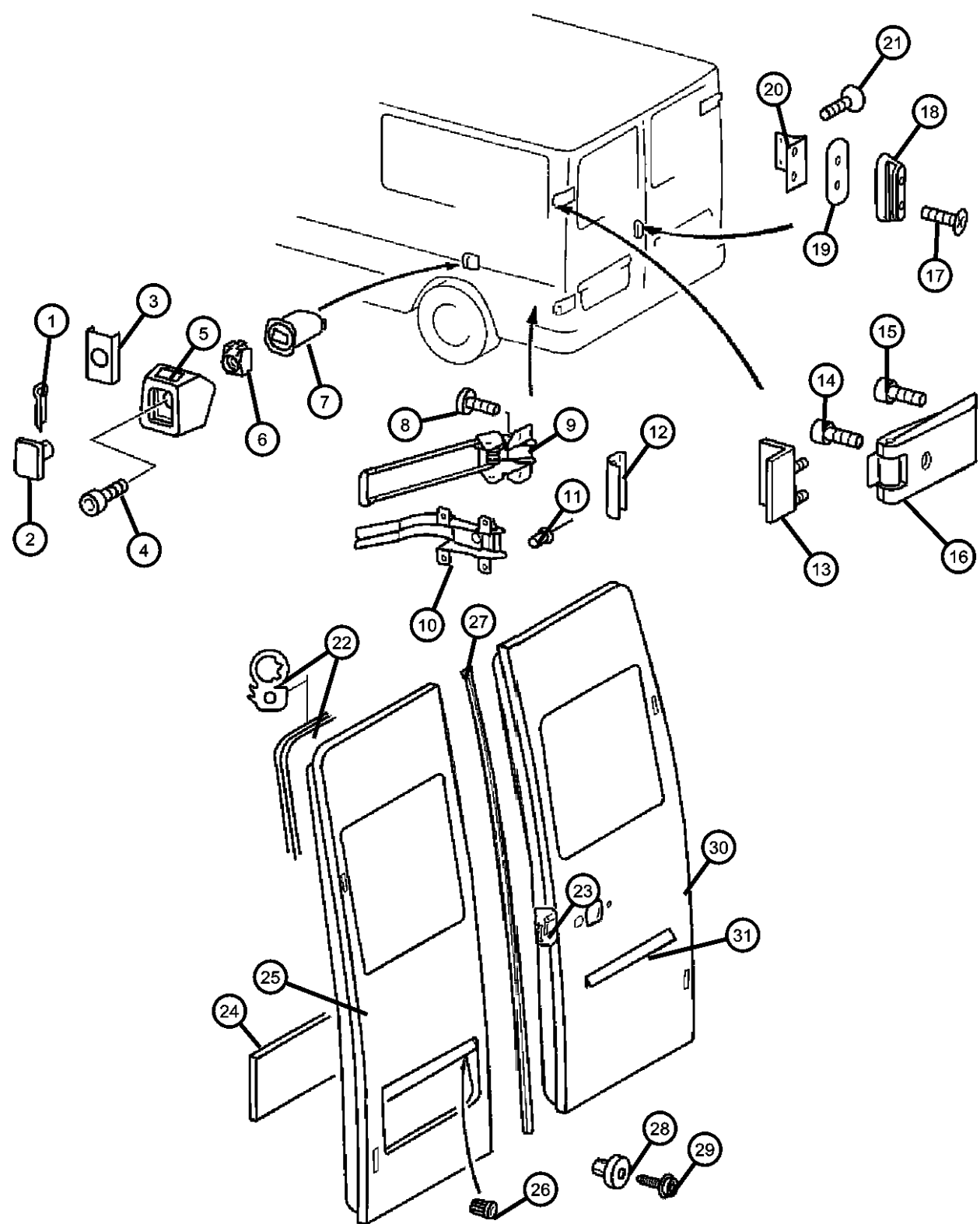
EX8 = 2.7L I5 Turbo Diesel Engine
 EX9 = 2.7L I5 Mercedes-Benz TD Engine

TRANSMISSION

DGJ = 5-Speed Automatic MB Transmission
 DGZ = 4-Spd. Automatic MT643 Transmission

AR = use ase required - = Non illustrated part

Door, Cargo Shell and Hinges
Figure DVA-410



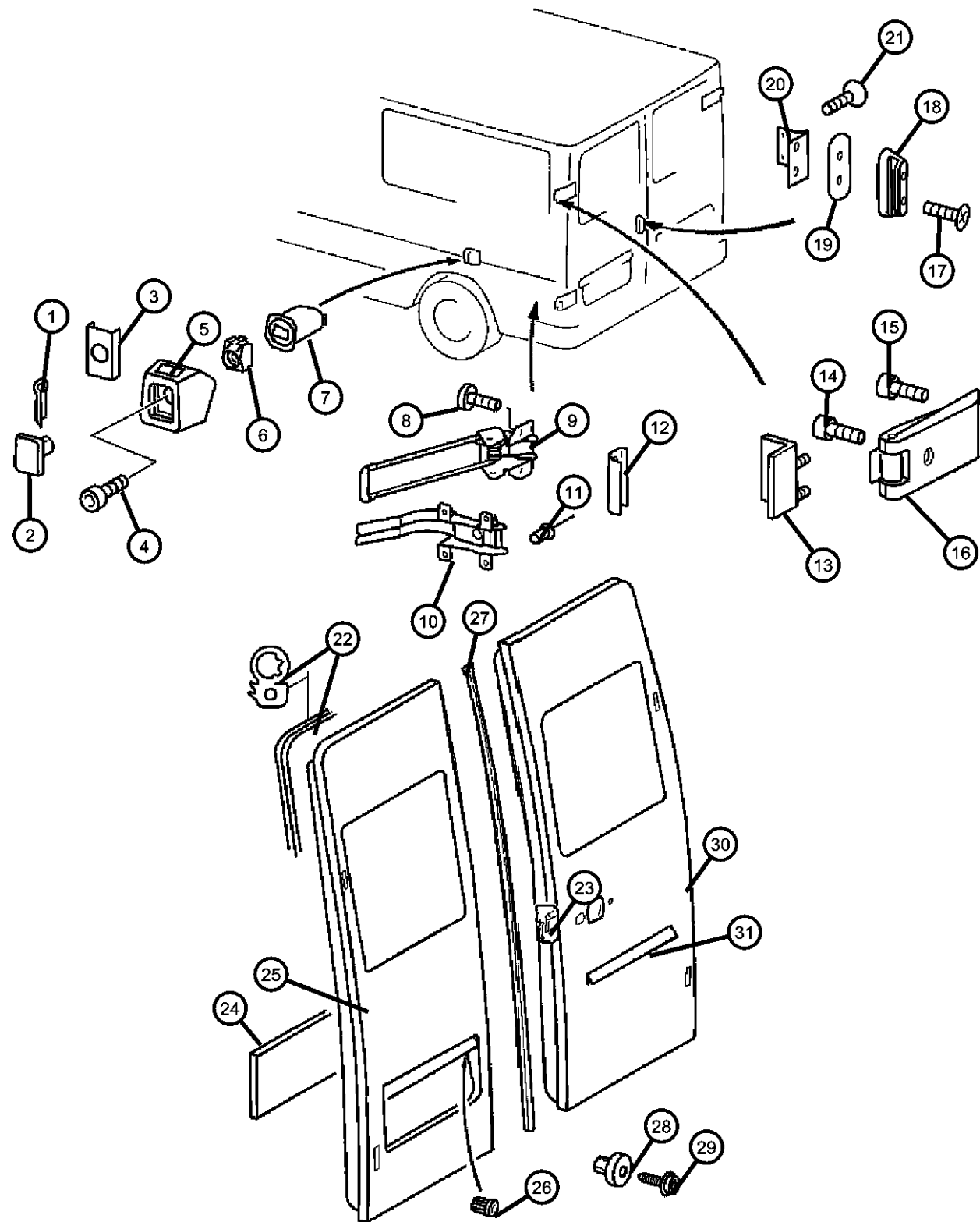
ITEM	PART NUMBER	QTY	LINE	SERIES	BODY	ENGINE	TRANS	TRIM	DESCRIPTION
7		1	3, 7	L	12, 15, 16				REINFORCEMENT
	05104173AA	1	2, 6	L	11, 12, 14, 15				
		1	2, 6	L	51, 52, 54, 55				
8	06104144AA	3	2, 3, 6, 7	L	12, 15				SCREW
9	05104414AA	2	2, 3, 6, 7	L	11, 12, 14, 15, 16				CHECK, Rear Door
		2	2, 3, 6, 7	L	51, 52, 54, 55, 56				With [GLF]
	05104417AA	2	2, 3, 6, 7	L	11, 12, 14, 15, 16				With [GLF]
		2	2, 3, 6, 7	L	51, 52, 54, 55, 56				BRACKET, Door Inside
10	05104413AA	1	2, 6	L	11, 12, 14, 15, 16				
		1	2, 6	L	51, 52, 54, 55, 56				
		1	3, 7	L	12, 15, 16				
11	05103838AA	4	2, 6	L	01, 02, 06				RIVET
		4	2, 6	L	11, 12, 14, 15, 16				
		4	2, 6	L	51, 52, 54, 55, 56				
		4	3, 7	L	02, 06				
		4	3, 7	L	12, 15, 16				
12									BRACKET, Cargo Door Hinge

SPRINTER (VA)

SERIES	LINE	BODY	ENGINE	TRANSMISSION
L = LOWLINE	3 = HD DODGE 2WD 8 = HD DODGE 4WD 6 = Lt. Duty DODGE 4WD 2 = Med. Duty DODGE 2WD 7 = Med. Duty DODGE 4WD 4 = TRUCK	01 = CHASSIS FORWARD CONTROL W.B.1 02 = CAB CHASSIS WHEEL BASE 2 06 = CAB CHASSIS WHEEL BASE 6 11 = VAN WHEEL BASE 1 12 = VAN WHEEL BASE 2 51 = WAGON WHEEL BASE 1 52 = WAGON WHEEL BASE 2 14 = VAN WHEEL BASE 4 15 = VAN WHEEL BASE 5 54 = WAGON WHEEL BASE 4 55 = WAGON WHEEL BASE 5 56 = WAGON WHEEL BASE 6 16 = VAN WHEEL BASE 6	EX8 = 2.7L I5 Turbo Diesel Engine EX9 = 2.7L I5 Mercedes-Benz TD Engine	DGJ = 5-Speed Automatic MB Transmission DGZ = 4-Spd. Automatic MT643 Transmission

AR = use ase required - = Non illustrated part

Door, Cargo Shell and Hinges
Figure DVA-410



ITEM	PART NUMBER	QTY	LINE	SERIES	BODY	ENGINE	TRANS	TRIM	DESCRIPTION
13	05104430AA	1	2, 6	L	11, 12, 14, 15, 16				STOPPER, Cargo Door
		1	2, 6	L	51, 52, 54, 55, 56				
		1	3, 7	L	12, 15, 16				
14	05104385AA	2	2, 6	L	11, 12, 14, 15, 16				BOLT, Torx
		2	2, 6	L	51, 52, 54, 55, 56				
		2	3, 7	L	12, 15, 16				
15	05125420AA	1	2, 6	L	01, 02, 06				SCREW
		1	2, 6	L	11, 12, 14, 15, 16				
		1	2, 6	L	51, 52, 54, 55, 56				
		1	3, 7	L	02, 06				
16	05073721AA	1	2, 3, 6, 7	L	12, 15, 16				HINGE, Rear Door
	05104378AA	2	2, 6	L	11, 12, 14, 15, 16				
		2	2, 6	L	51, 52, 54, 55, 56				
17		2	3, 7	L	12, 15, 16				SCREW
	05104635AA	2	2, 6	L	11, 12, 14, 15, 16				
		2	2, 6	L	51, 52, 54, 55, 56				
		2	3, 7	L	12, 15, 16				
	05104636AA	2	2, 6	L	01, 02, 06				

SPRINTER (VA)

SERIES
L = LOWLINE

LINE
3 = HD DODGE 2WD
8 = HD DODGE 4WD
6 = Lt. Duty DODGE 4WD
2 = Med. Duty DODGE 2WD
7 = Med. Duty DODGE 4WD
4 = TRUCK

BODY
01 = CHASSIS FORWARD CONTROL W.B.1
02 = CAB CHASSIS WHEEL BASE 2
06 = CAB CHASSIS WHEEL BASE 6
11 = VAN WHEEL BASE 1
12 = VAN WHEEL BASE 2
51 = WAGON WHEEL BASE 1
52 = WAGON WHEEL BASE 2
14 = VAN WHEEL BASE 4
15 = VAN WHEEL BASE 5
54 = WAGON WHEEL BASE 4
55 = WAGON WHEEL BASE 5
56 = WAGON WHEEL BASE 6
16 = VAN WHEEL BASE 6

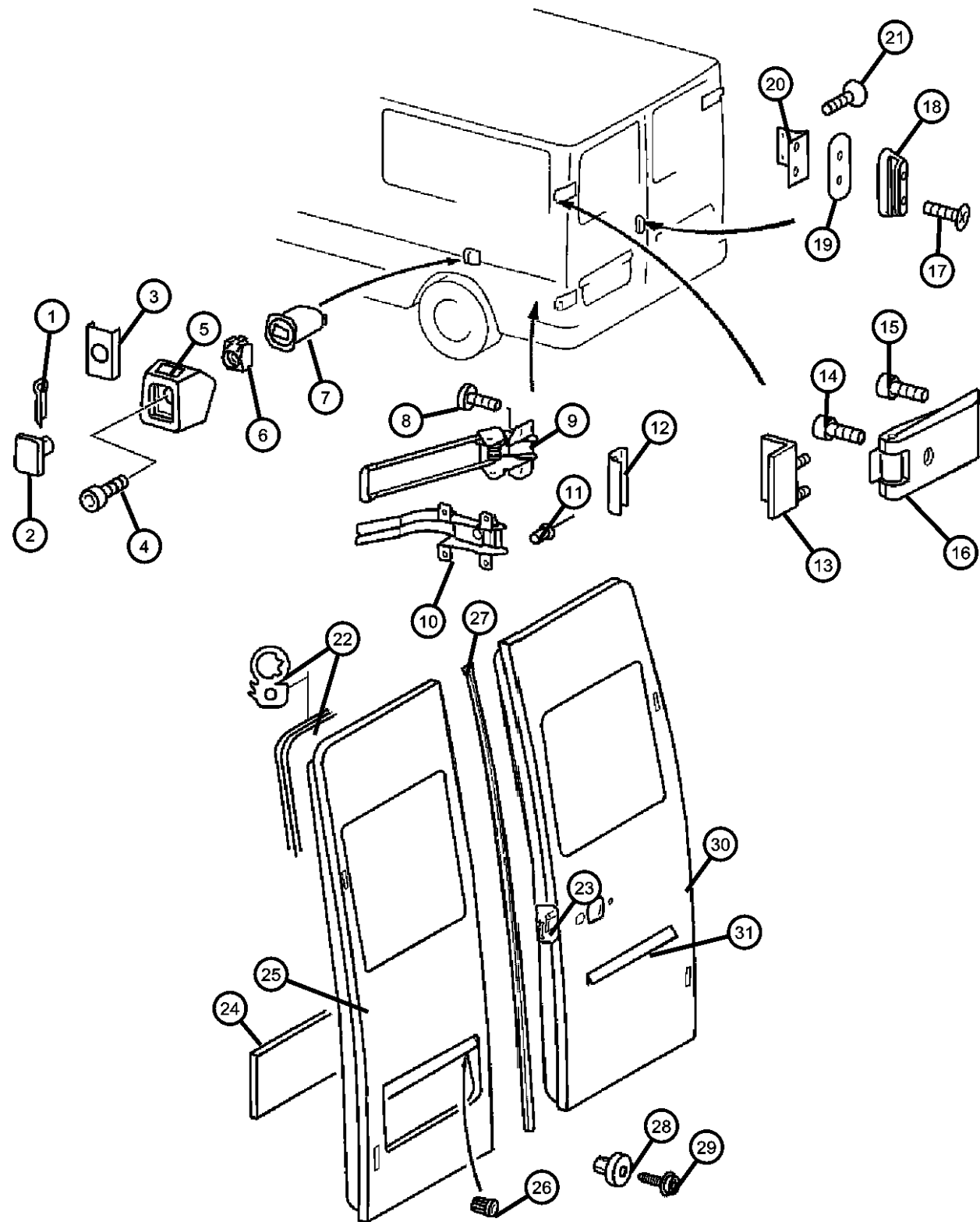
ENGINE
EX8 = 2.7L I5 Turbo Diesel Engine
EX9 = 2.7L I5 Mercedes-Benz TD Engine

TRANSMISSION
DGJ = 5-Speed Automatic MB Transmission
DGZ = 4-Spd. Automatic MT643 Transmission

AR = use ase required - = Non illustrated part

2006 VA

Door, Cargo Shell and Hinges
Figure DVA-410



ITEM	PART NUMBER	QTY	LINE	SERIES	BODY	ENGINE	TRANS	TRIM	DESCRIPTION
18		2	3, 7	L	02, 06				BUMPER, Door
	05104370AA	1	2, 6	L	11, 12, 14, 15, 16				
		1	2, 6	L	51, 52, 54, 55, 56				
19		1	3, 7	L	12, 15, 16				GASKET, Bumper Bracket
	05104432AA	1	2, 6	L	11, 12, 14, 15, 16				
		1	2, 6	L	51, 52, 54, 55, 56				
20		1	3, 7	L	12, 15, 16				BRACKET, Hinge Reinforcement
	05123934AA	1	2, 6	L	11, 12, 14, 15, 16				
		1	2, 6	L	51, 52, 54, 55, 56				
21		1	3, 7	L	12, 15, 16				SCREW
	05133932AA	4	2, 6	L	11, 12, 14, 15, 16				
		4	2, 6	L	51, 52, 54, 55, 56				
		4	3, 7	L	12, 15, 16				
22									WEATHERSTRIP, Cargo Door
	05104272AA	1	2, 6	L	11, 12				Without [GL8]
		1	2, 6	L	51, 52				Without [GL8]
		1	3, 7	L	12				Without [GL8]
	05104274AA	1	2, 6	L	14, 15, 16				
		1	2, 6	L	54, 55, 56				
		1	3, 7	L	15, 16				

SPRINTER (VA)

SERIES

L = LOWLINE
 3 = HD DODGE 2WD
 8 = HD DODGE 4WD
 6 = Lt. Duty DODGE 4WD
 2 = Med. Duty DODGE 2WD
 7 = Med. Duty DODGE 4WD
 4 = TRUCK

LINE

BODY

01 = CHASSIS FORWARD CONTROL W.B.1
 02 = CAB CHASSIS WHEEL BASE 2
 06 = CAB CHASSIS WHEEL BASE 6
 11 = VAN WHEEL BASE 1
 12 = VAN WHEEL BASE 2
 51 = WAGON WHEEL BASE 1
 52 = WAGON WHEEL BASE 2
 14 = VAN WHEEL BASE 4
 15 = VAN WHEEL BASE 5
 54 = WAGON WHEEL BASE 4
 55 = WAGON WHEEL BASE 5
 56 = WAGON WHEEL BASE 6
 16 = VAN WHEEL BASE 6

ENGINE

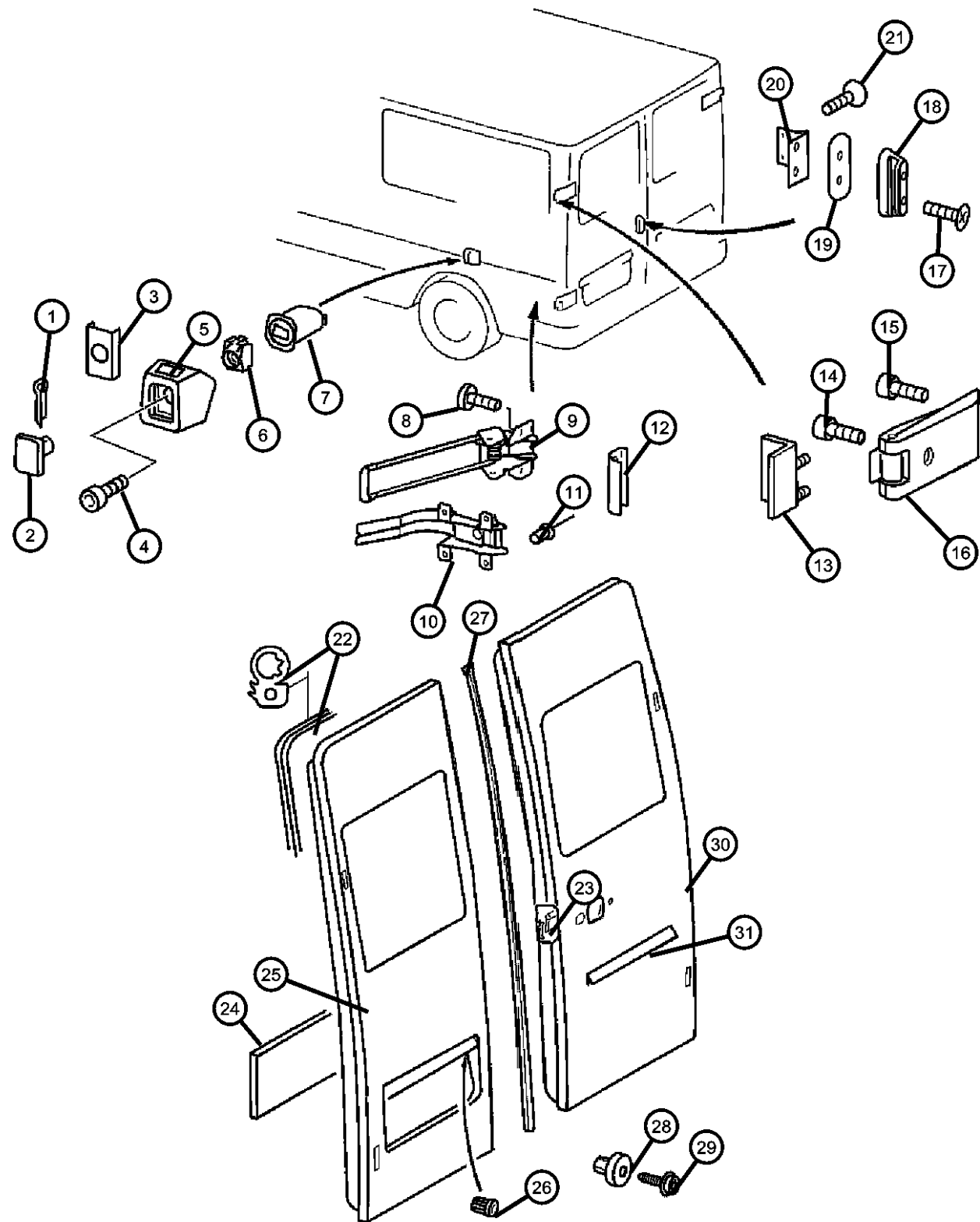
EX8 = 2.7L I5 Turbo Diesel Engine
 EX9 = 2.7L I5 Mercedes-Benz TD Engine

TRANSMISSION

DGJ = 5-Speed Automatic MB Transmission
 DGZ = 4-Spd. Automatic MT643 Transmission

AR = use ase required - = Non illustrated part

Door, Cargo Shell and Hinges
Figure DVA-410



ITEM	PART NUMBER	QTY	LINE	SERIES	BODY	ENGINE	TRANS	TRIM	DESCRIPTION
23		1							FILM, (NOT SERVICED)
24									SILENCER, Door
	05122518AA	2	2, 6	L	11, 12, 14, 15, 16				
		2	2, 6	L	51, 52, 54, 55, 56				
		2	3, 7	L	12, 15, 16				
25									DOOR, Rear Cargo
	05123905AA	1	2, 6	L	11, 12				Left Hand
		1	3, 7	L	12				Left Hand
	05123907AA	1	2, 6	L	11, 12				Right Hand
		1	3, 7	L	12				Right Hand
	05123909AA	1	2, 6	L	14, 15, 16				[MWJ-GL8], Left Hand
		1	3, 7	L	15, 16				[MWJ-GL8], Left Hand
	05123913AA	1	2, 6	L	11, 12				[GEM], Left Hand
		1	3, 7	L	12				[GEM], Left Hand
	05123917AA	1	2, 6	L	14, 15, 16				[MWJ+GEM], Left Hand
		1	2, 6	L	54, 55, 56				[MWJ-GL8], Left Hand
		1	3, 7	L	15, 16				[MWJ+GEM], Left Hand
26		1							NUT, Push In, (NOT SERVICED),
27									WEATHERSTRIP, Cargo Door
	05104375AA	1	2, 6	L	14, 15, 16				
		1	2, 6	L	54, 55, 56				
		1	3, 7	L	15, 16				
	05123955AA	1	2, 6	L	11, 12				Without [GL8]
		1	2, 6	L	51, 52				Without [GL8]
		1	3, 7	L	12				Without [GL8]
28		1							NUTSERT, Rivet, (NOT SERVICED),

SPRINTER (VA)

SERIES

L = LOWLINE
 3 = HD DODGE 2WD
 8 = HD DODGE 4WD
 6 = Lt. Duty DODGE 4WD
 2 = Med. Duty DODGE 2WD
 7 = Med. Duty DODGE 4WD
 4 = TRUCK

LINE

BODY

01 = CHASSIS FORWARD CONTROL W.B.1
 02 = CAB CHASSIS WHEEL BASE 2
 06 = CAB CHASSIS WHEEL BASE 6
 11 = VAN WHEEL BASE 1
 12 = VAN WHEEL BASE 2
 51 = WAGON WHEEL BASE 1
 52 = WAGON WHEEL BASE 2
 14 = VAN WHEEL BASE 4
 15 = VAN WHEEL BASE 5
 54 = WAGON WHEEL BASE 4
 55 = WAGON WHEEL BASE 5
 56 = WAGON WHEEL BASE 6
 16 = VAN WHEEL BASE 6

ENGINE

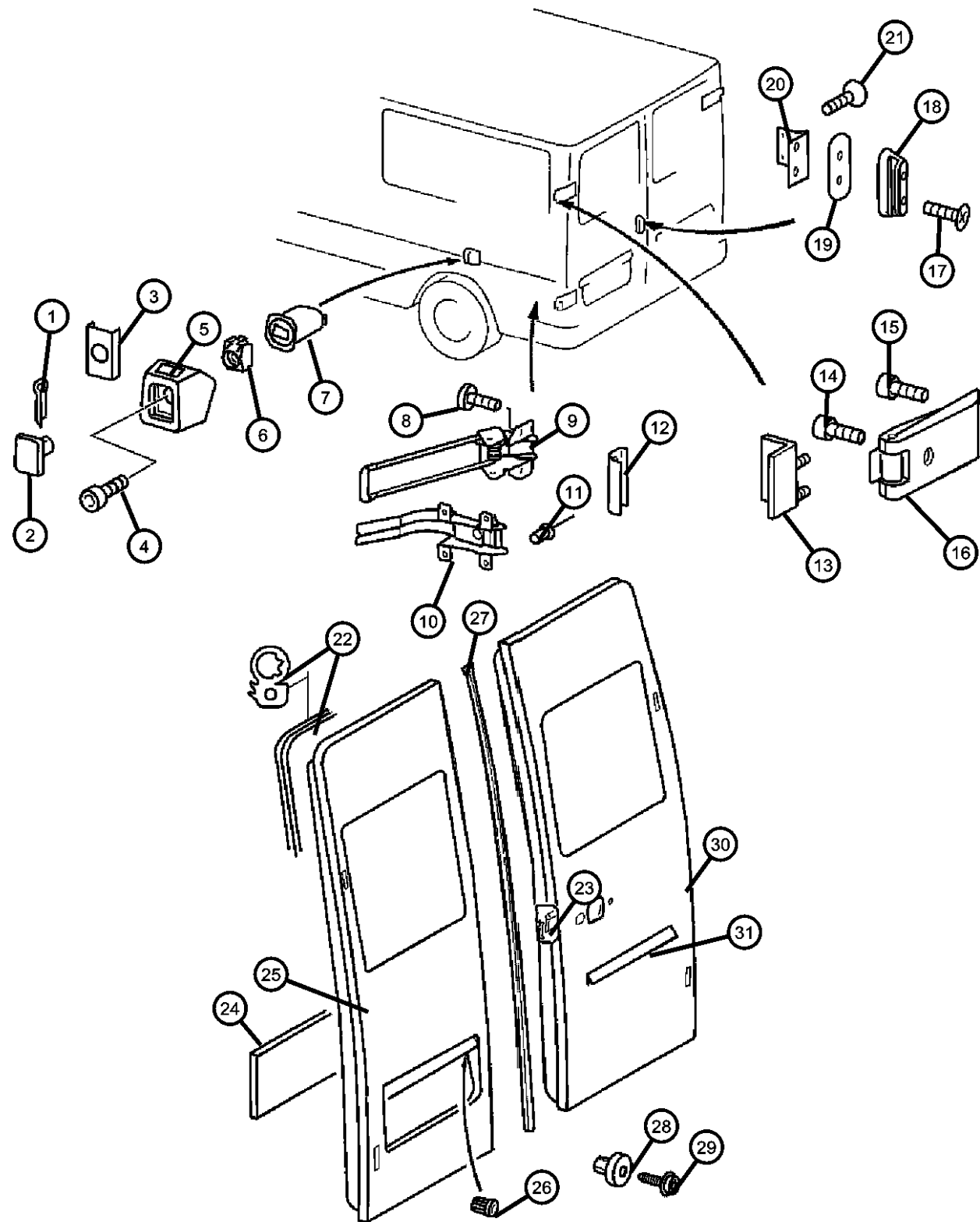
EX8 = 2.7L I5 Turbo Diesel Engine
 EX9 = 2.7L I5 Mercedes-Benz TD Engine

TRANSMISSION

DGJ = 5-Speed Automatic MB Transmission
 DGZ = 4-Spd. Automatic MT643 Transmission

AR = use ase required - = Non illustrated part

Door, Cargo Shell and Hinges
Figure DVA-410



ITEM	PART NUMBER	QTY	LINE	SERIES	BODY	ENGINE	TRANS	TRIM	DESCRIPTION
29	05133931AA	4	2, 6	L	11, 12, 14, 15, 16				SCREW
		4	2, 6	L	51, 52, 54, 55, 56				
		4	3, 7	L	12, 15, 16				
30	05123907AA	1	2, 6	L	11, 12				DOOR, Rear Cargo Right Hand
		1	3, 7	L	12				Right Hand
	05123911AA	1	2, 6	L	14, 15, 16				[MWJ-GL8], Right Hand
		1	3, 7	L	15, 16				[MWJ-GL8], Right Hand
	05123915AA	1	2, 6	L	11, 12				[GEM], Right Hand
		1	3, 7	L	12				[GEM], Right Hand
	05123919AA	1	2, 6	L	14, 15, 16				[MWJ+GEM], Right Hand
		1	2, 6	L	54, 55, 56				[MWJ-GL8], Right Hand
		1	3, 7	L	15, 16				[MWJ+GEM], Right Hand
31	05104454AA	1	2, 6	L	01, 02, 06				NAMEPLATE, Rear Door
		1	2, 6	L	11, 12, 14, 15, 16				
		1	2, 6	L	51, 52, 54, 55, 56				
		1	3, 7	L	02, 06				
		1	3, 7	L	12, 15, 16				

SPRINTER (VA)

SERIES
L = LOWLINE

LINE

3 = HD DODGE 2WD
8 = HD DODGE 4WD
6 = Lt. Duty DODGE 4WD
2 = Med. Duty DODGE 2WD
7 = Med. Duty DODGE 4WD
4 = TRUCK

BODY

01 = CHASSIS FORWARD CONTROL W.B.1
02 = CAB CHASSIS WHEEL BASE 2
06 = CAB CHASSIS WHEEL BASE 6
11 = VAN WHEEL BASE 1
12 = VAN WHEEL BASE 2
51 = WAGON WHEEL BASE 1
52 = WAGON WHEEL BASE 2
14 = VAN WHEEL BASE 4
15 = VAN WHEEL BASE 5
54 = WAGON WHEEL BASE 4
55 = WAGON WHEEL BASE 5
56 = WAGON WHEEL BASE 6
16 = VAN WHEEL BASE 6

ENGINE

EX8 = 2.7L I5 Turbo Diesel Engine
EX9 = 2.7L I5 Mercedes-Benz TD Engine

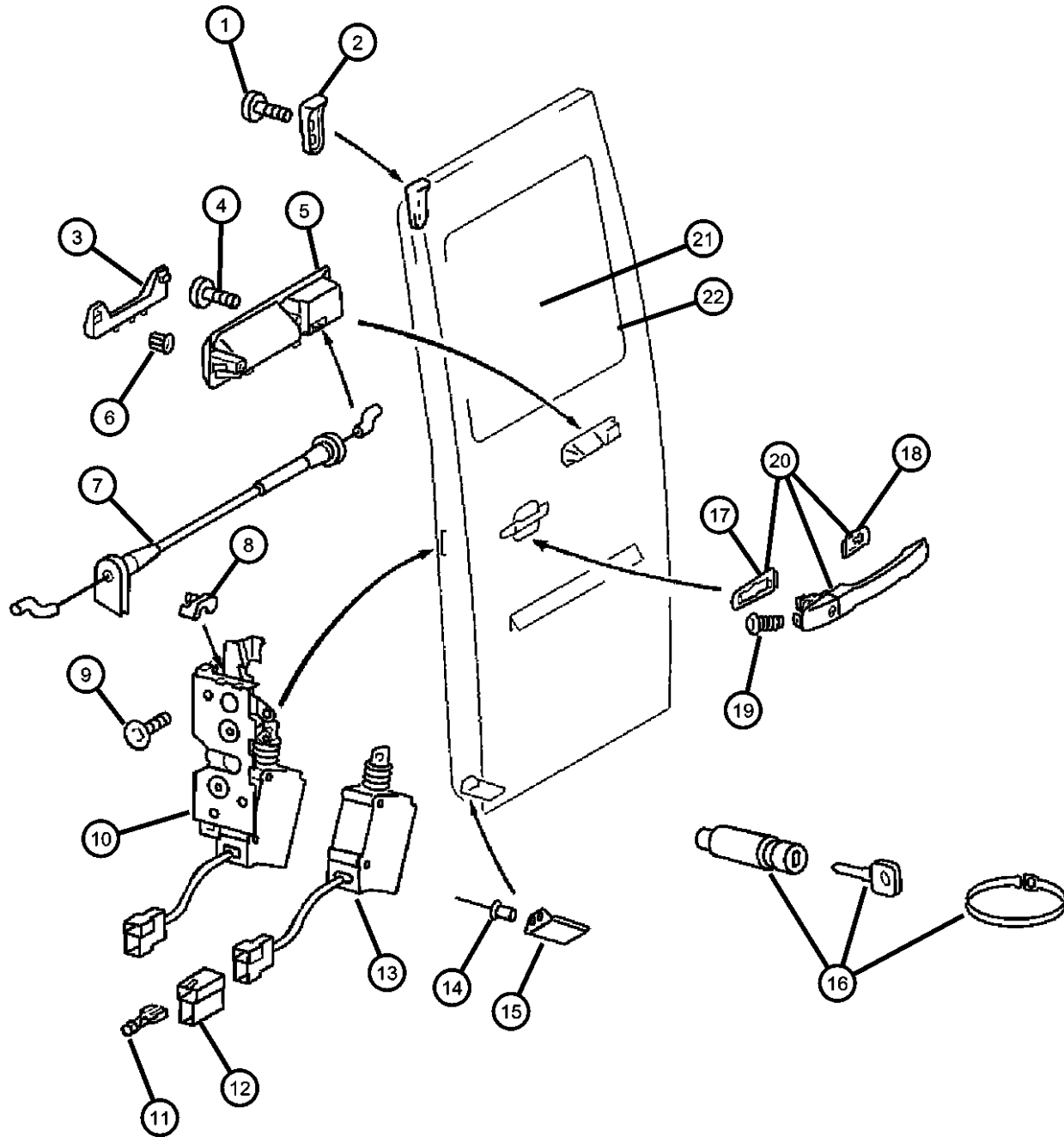
TRANSMISSION

DGJ = 5-Speed Automatic MB Transmission
DGZ = 4-Spd. Automatic MT643 Transmission

AR = use ase required - = Non illustrated part

2006 VA

**Door, Cargo Glass and Hardware
Figure DVA-420**



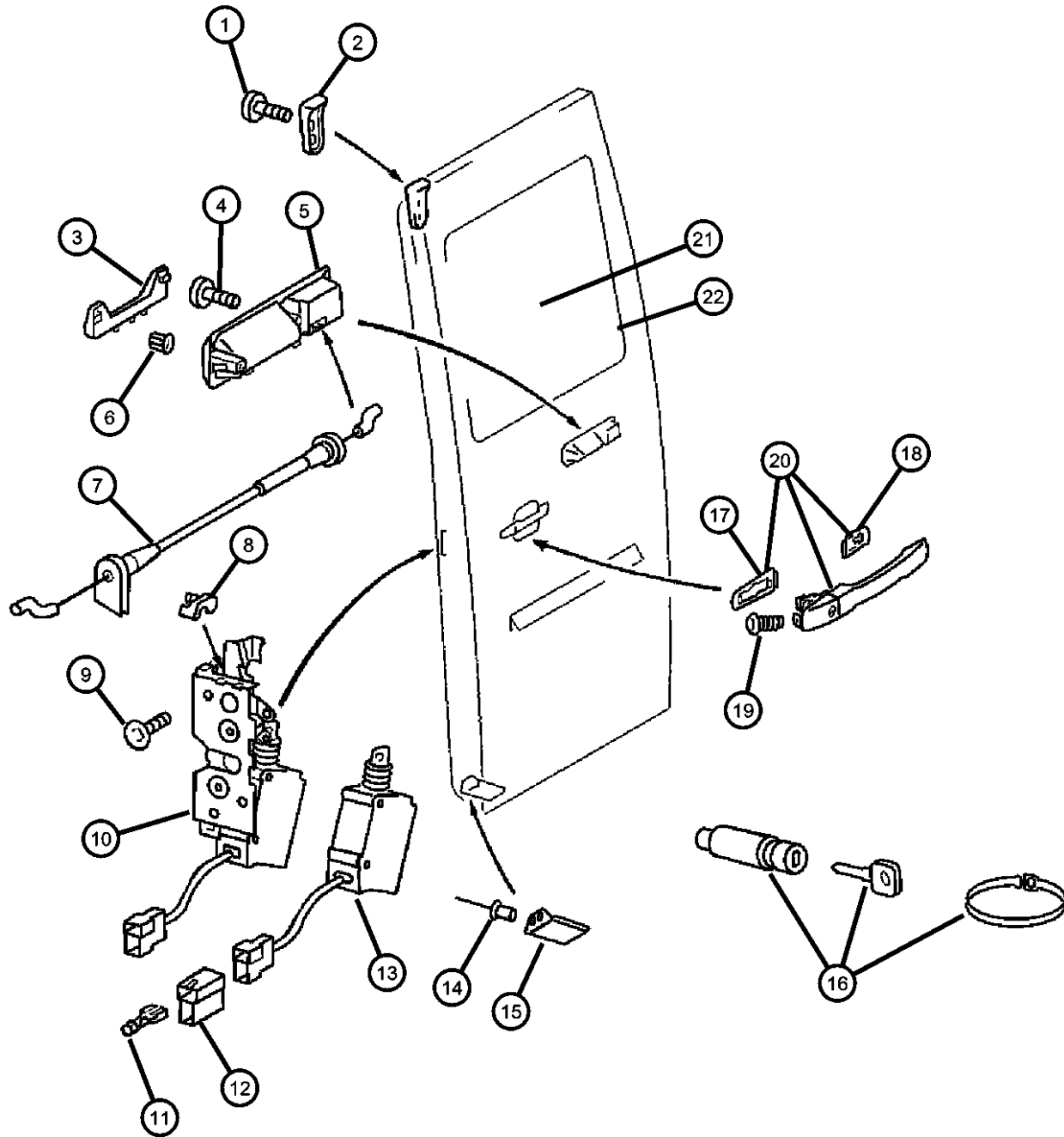
ITEM	PART NUMBER	QTY	LINE	SERIES	BODY	ENGINE	TRANS	TRIM	DESCRIPTION
1									SCREW
	06104142AA	2	2, 6	L	01, 02, 06				
		2	2, 6	L	11, 12, 14, 15, 16				
		2	2, 6	L	51, 52, 54, 55, 56				
		2	3, 7	L	02, 06				
		2	3, 7	L	12, 15, 16				
2									SPACER, Door Lock Striker
	05123997AA	1	2, 6	L	11, 12, 14, 15, 16				
		1	2, 6	L	51, 52, 54, 55, 56				
		1	3, 7	L	12, 15, 16				
3									COVER, Handle
	1AT60BD1AA	1	2, 6	L	11, 12, 14, 15, 16				
		1	2, 6	L	51, 52, 54, 55, 56				
		1	3, 7	L	12, 15, 16				
4									SCREW
	06104142AA	2	2, 6	L	01, 02, 06				
		2	2, 6	L	11, 12, 14, 15, 16				
		2	2, 6	L	51, 52, 54, 55, 56				
		2	3, 7	L	12, 15, 16				
		2	3, 7	L	02, 06				
5									HANDLE, Rear Door Interior
	05132053AA	1	2, 6	L	11, 12, 14, 15, 16				
		1	2, 6	L	51, 52, 54, 55, 56				
6									NUT

SPRINTER (VA)

SERIES	LINE	BODY	ENGINE	TRANSMISSION
L = LOWLINE	3 = HD DODGE 2WD 8 = HD DODGE 4WD 6 = Lt. Duty DODGE 4WD 2 = Med. Duty DODGE 2WD 7 = Med. Duty DODGE 4WD 4 = TRUCK	01 = CHASSIS FORWARD CONTROL W.B.1 02 = CAB CHASSIS WHEEL BASE 2 06 = CAB CHASSIS WHEEL BASE 6 11 = VAN WHEEL BASE 1 12 = VAN WHEEL BASE 2 51 = WAGON WHEEL BASE 1 52 = WAGON WHEEL BASE 2 14 = VAN WHEEL BASE 4 15 = VAN WHEEL BASE 5 54 = WAGON WHEEL BASE 4 55 = WAGON WHEEL BASE 5 56 = WAGON WHEEL BASE 6 16 = VAN WHEEL BASE 6	EX8 = 2.7L I5 Turbo Diesel Engine EX9 = 2.7L I5 Mercedes-Benz TD Engine	DGJ = 5-Speed Automatic MB Transmission DGZ = 4-Spd. Automatic MT643 Transmission

AR = use ase required - = Non illustrated part

**Door, Cargo Glass and Hardware
Figure DVA-420**



ITEM	PART NUMBER	QTY	LINE	SERIES	BODY	ENGINE	TRANS	TRIM	DESCRIPTION
	06104884AA	2	3, 7	L	02, 06				
		2	3, 7	L	12, 15, 16				
		2	2, 6	L	11, 12, 14, 15, 16				
		2	2, 6	L	51, 52, 54, 55, 56				
		2	2, 6	L	01, 02, 06				
7									CABLE
	05104416AA	1	2, 6	L	11, 12, 14, 15, 16				
		1	2, 6	L	51, 52, 54, 55, 56				
		1	3, 7	L	12, 15, 16				
8									CONNECTOR, Solenoid
	05103674AA	1	2, 6	L	01, 02, 06				
		1	2, 6	L	11, 12, 14, 15, 16				
		1	2, 6	L	51, 52, 54, 55, 56				
		1	3, 7	L	02, 06				
		1	3, 7	L	12, 15, 16				
9									SCREW
	05103723AA	3	2, 6	L	11, 12, 14, 15, 16				
		3	2, 6	L	51, 52, 54, 55, 56				
		3	2, 6	L	01, 02, 06				
		3	3, 7	L	02, 06				
		3	3, 7	L	12, 15, 16				
10									LATCH, Rear Door
	05131997AA	1	2, 6	L	51, 52, 54, 55, 56				

SPRINTER (VA)

SERIES

L = LOWLINE
 3 = HD DODGE 2WD
 8 = HD DODGE 4WD
 6 = Lt. Duty DODGE 4WD
 2 = Med. Duty DODGE 2WD
 7 = Med. Duty DODGE 4WD
 4 = TRUCK

LINE

BODY

01 = CHASSIS FORWARD CONTROL W.B.1
 02 = CAB CHASSIS WHEEL BASE 2
 06 = CAB CHASSIS WHEEL BASE 6
 11 = VAN WHEEL BASE 1
 12 = VAN WHEEL BASE 2
 51 = WAGON WHEEL BASE 1
 52 = WAGON WHEEL BASE 2
 14 = VAN WHEEL BASE 4
 15 = VAN WHEEL BASE 5
 54 = WAGON WHEEL BASE 4
 55 = WAGON WHEEL BASE 5
 56 = WAGON WHEEL BASE 6
 16 = VAN WHEEL BASE 6

ENGINE

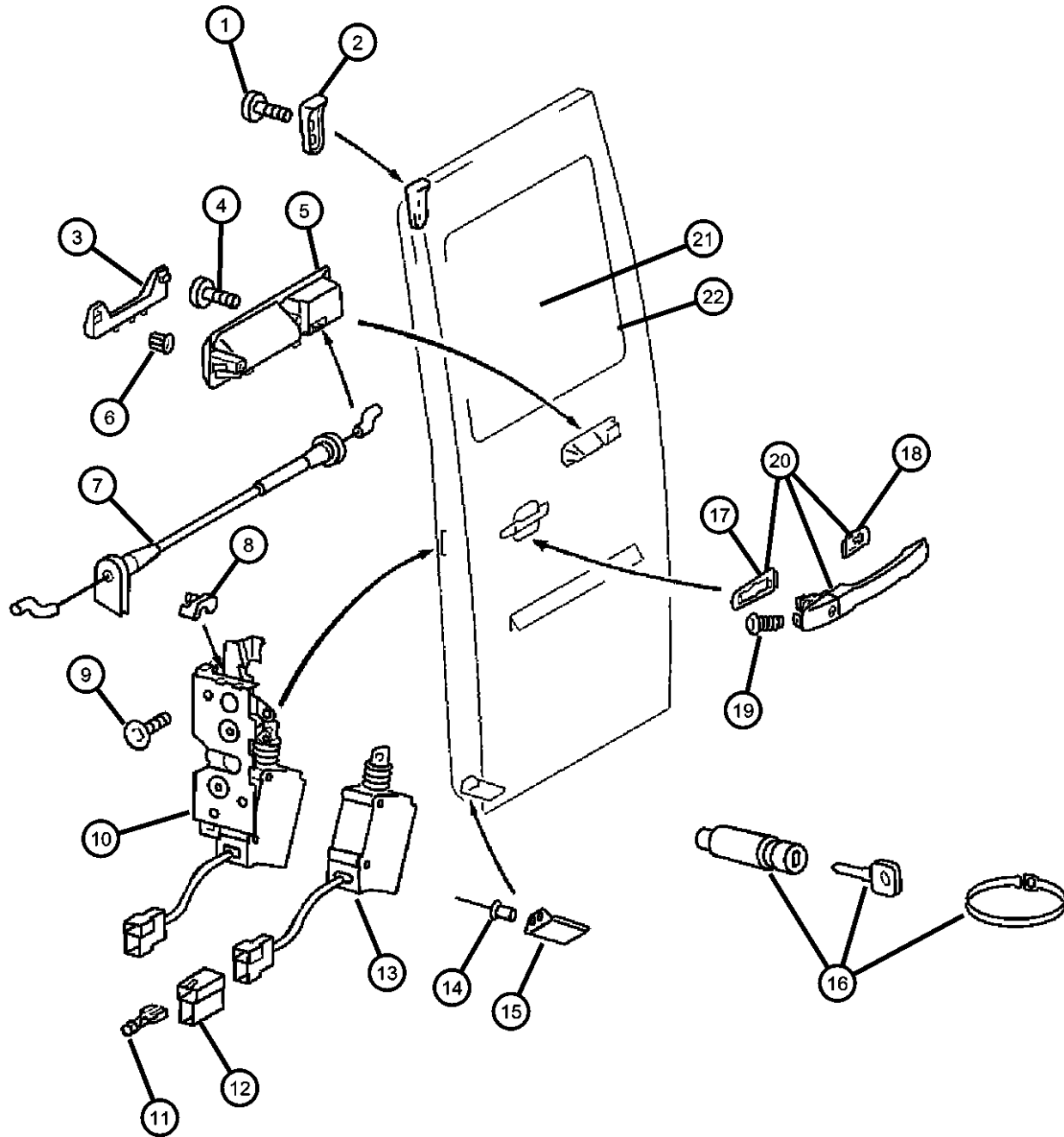
EX8 = 2.7L I5 Turbo Diesel Engine
 EX9 = 2.7L I5 Mercedes-Benz TD Engine

TRANSMISSION

DGJ = 5-Speed Automatic MB Transmission
 DGZ = 4-Spd. Automatic MT643 Transmission

AR = use ase required - = Non illustrated part

**Door, Cargo Glass and Hardware
Figure DVA-420**



ITEM	PART NUMBER	QTY	LINE	SERIES	BODY	ENGINE	TRANS	TRIM	DESCRIPTION
11		1	2, 6	L	11, 12, 14, 15, 16				TERMINAL, Female
	05114451AA	99	2, 6	L	01, 02, 06				
		99	2, 6	L	11, 12, 14, 15, 16				
		99	3, 7	L	02, 06				
		99	3, 7	L	12, 15, 16				
		99	2, 6	L	51, 52, 54, 55, 56				
12									INSULATOR, 2 Way Female
	05103754AA	1	2, 6	L	51, 52, 54, 55, 56				
		1	2, 6	L	01, 02, 06				
		1	2, 6	L	11, 12, 14, 15, 16				
		2	3, 7	L	02, 06				
		2	3, 7	L	12, 15, 16				
13									ACTUATOR, Power Door Lock
	05133998AA	1	2, 6	L	11, 12, 14, 15, 16				
		1	2, 6	L	51, 52, 54, 55, 56				
		1	3, 7	L	12, 15, 16				
14									RIVET
	05125819AA	2	2, 6	L	11, 12, 14, 15, 16				
		2	2, 6	L	51, 52, 54, 55, 56				
		2	3, 7	L	12, 15, 16				
15									SPACER, Door Lock Striker
	05123999AA	1	2, 6	L	11, 12, 14, 15, 16				

SPRINTER (VA)

SERIES

L = LOWLINE
 3 = HD DODGE 2WD
 8 = HD DODGE 4WD
 6 = Lt. Duty DODGE 4WD
 2 = Med. Duty DODGE 2WD
 7 = Med. Duty DODGE 4WD
 4 = TRUCK

BODY

01 = CHASSIS FORWARD CONTROL W.B.1
 02 = CAB CHASSIS WHEEL BASE 2
 06 = CAB CHASSIS WHEEL BASE 6
 11 = VAN WHEEL BASE 1
 12 = VAN WHEEL BASE 2
 51 = WAGON WHEEL BASE 1
 52 = WAGON WHEEL BASE 2
 14 = VAN WHEEL BASE 4
 15 = VAN WHEEL BASE 5
 54 = WAGON WHEEL BASE 4
 55 = WAGON WHEEL BASE 5
 56 = WAGON WHEEL BASE 6
 16 = VAN WHEEL BASE 6

ENGINE

EX8 = 2.7L I5 Turbo Diesel Engine
 EX9 = 2.7L I5 Mercedes-Benz TD Engine

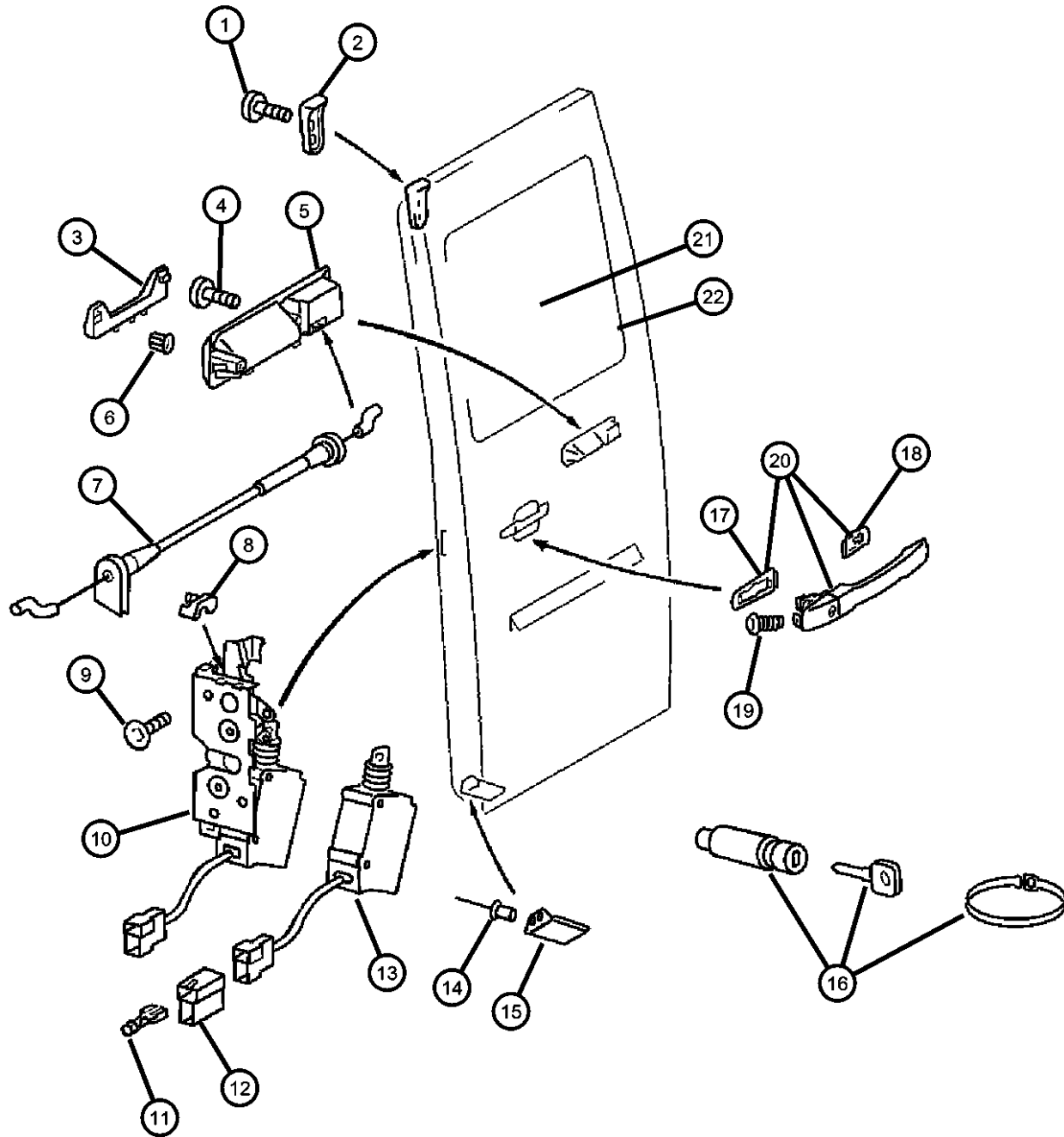
TRANSMISSION

DGJ = 5-Speed Automatic MB Transmission
 DGZ = 4-Spd. Automatic MT643 Transmission

AR = use ase required - = Non illustrated part

2006 VA

**Door, Cargo Glass and Hardware
Figure DVA-420**



ITEM	PART NUMBER	QTY	LINE	SERIES	BODY	ENGINE	TRANS	TRIM	DESCRIPTION
		1	2, 6	L	51, 52, 54, 55, 56				
16		1	3, 7	L	12, 15, 16				CYLINDER, Door Lock
	05114364AA	1	2, 6	L	11, 12, 14, 15, 16				
		1	2, 6	L	51, 52, 54, 55, 56				
		1	2, 6	L	01, 02, 06				
		1	3, 7	L	02, 06				
		1	3, 7	L	12, 15, 16				
17									PAD
	05103673AA	1	2, 6	L	01, 02, 06				
		1	2, 6	L	11, 12, 14, 15, 16				
		1	2, 6	L	51, 52, 54, 55, 56				
		1	3, 7	L	02, 06				
		1	3, 7	L	12, 15, 16				
18									PAD
	05103672AA	1	2, 6	L	01, 02, 06				
		1	2, 6	L	11, 12, 14, 15, 16				
		1	2, 6	L	51, 52, 54, 55, 56				
		1	3, 7	L	02, 06				
		1	3, 7	L	12, 15, 16				
19									SCREW, Front Door Handle
	05125414AA	1	2, 6	L	51, 52, 54, 55, 56				
		1	2, 6	L	01, 02, 06				

SPRINTER (VA)

SERIES

L = LOWLINE
 3 = HD DODGE 2WD
 8 = HD DODGE 4WD
 6 = Lt. Duty DODGE 4WD
 2 = Med. Duty DODGE 2WD
 7 = Med. Duty DODGE 4WD
 4 = TRUCK

BODY

01 = CHASSIS FORWARD CONTROL W.B.1
 02 = CAB CHASSIS WHEEL BASE 2
 06 = CAB CHASSIS WHEEL BASE 6
 11 = VAN WHEEL BASE 1
 12 = VAN WHEEL BASE 2
 51 = WAGON WHEEL BASE 1
 52 = WAGON WHEEL BASE 2
 14 = VAN WHEEL BASE 4
 15 = VAN WHEEL BASE 5
 54 = WAGON WHEEL BASE 4
 55 = WAGON WHEEL BASE 5
 56 = WAGON WHEEL BASE 6
 16 = VAN WHEEL BASE 6

ENGINE

EX8 = 2.7L I5 Turbo Diesel Engine
 EX9 = 2.7L I5 Mercedes-Benz TD Engine

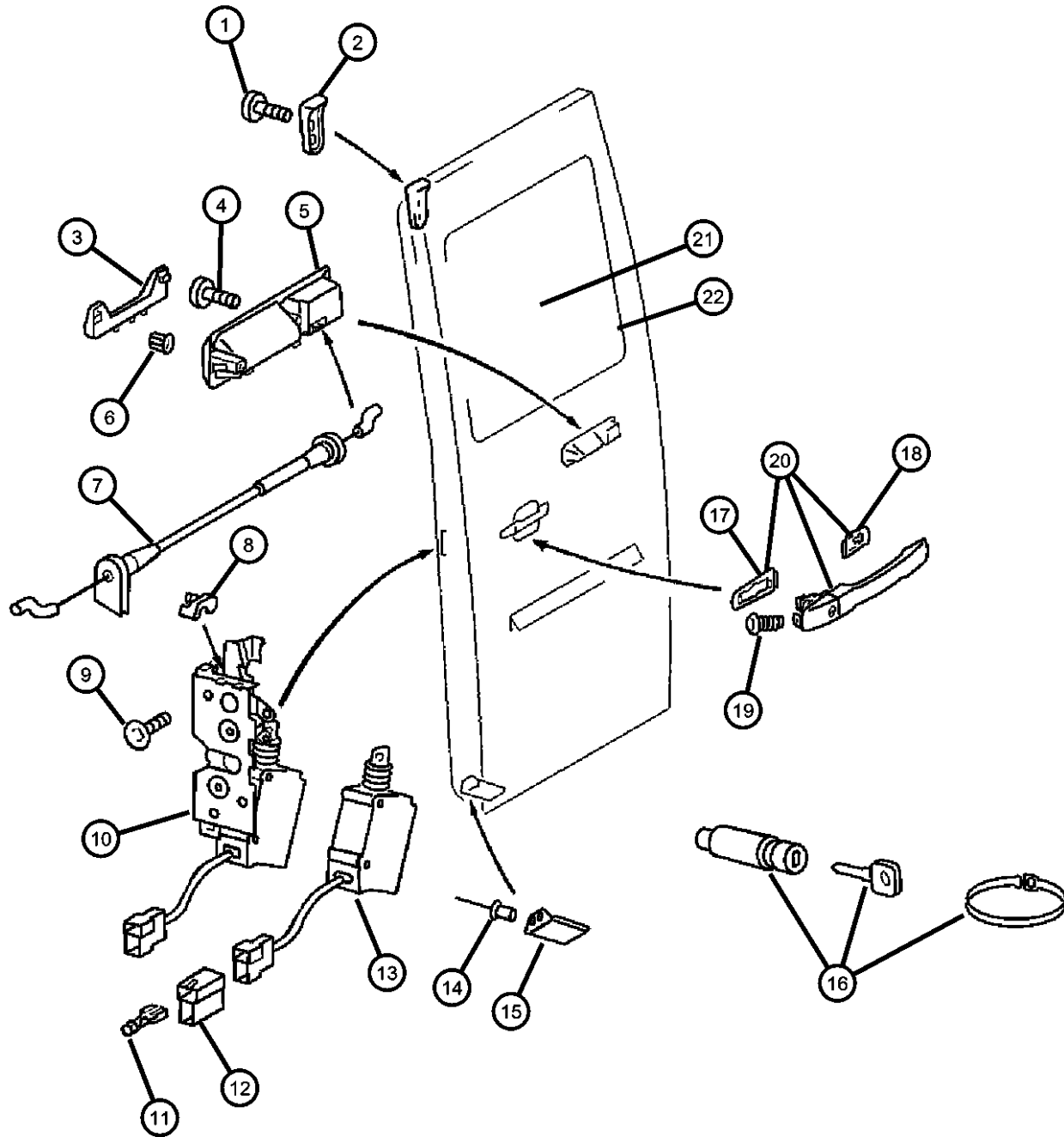
TRANSMISSION

DGJ = 5-Speed Automatic MB Transmission
 DGZ = 4-Spd. Automatic MT643 Transmission

AR = use ase required - = Non illustrated part

2006 VA

**Door, Cargo Glass and Hardware
Figure DVA-420**



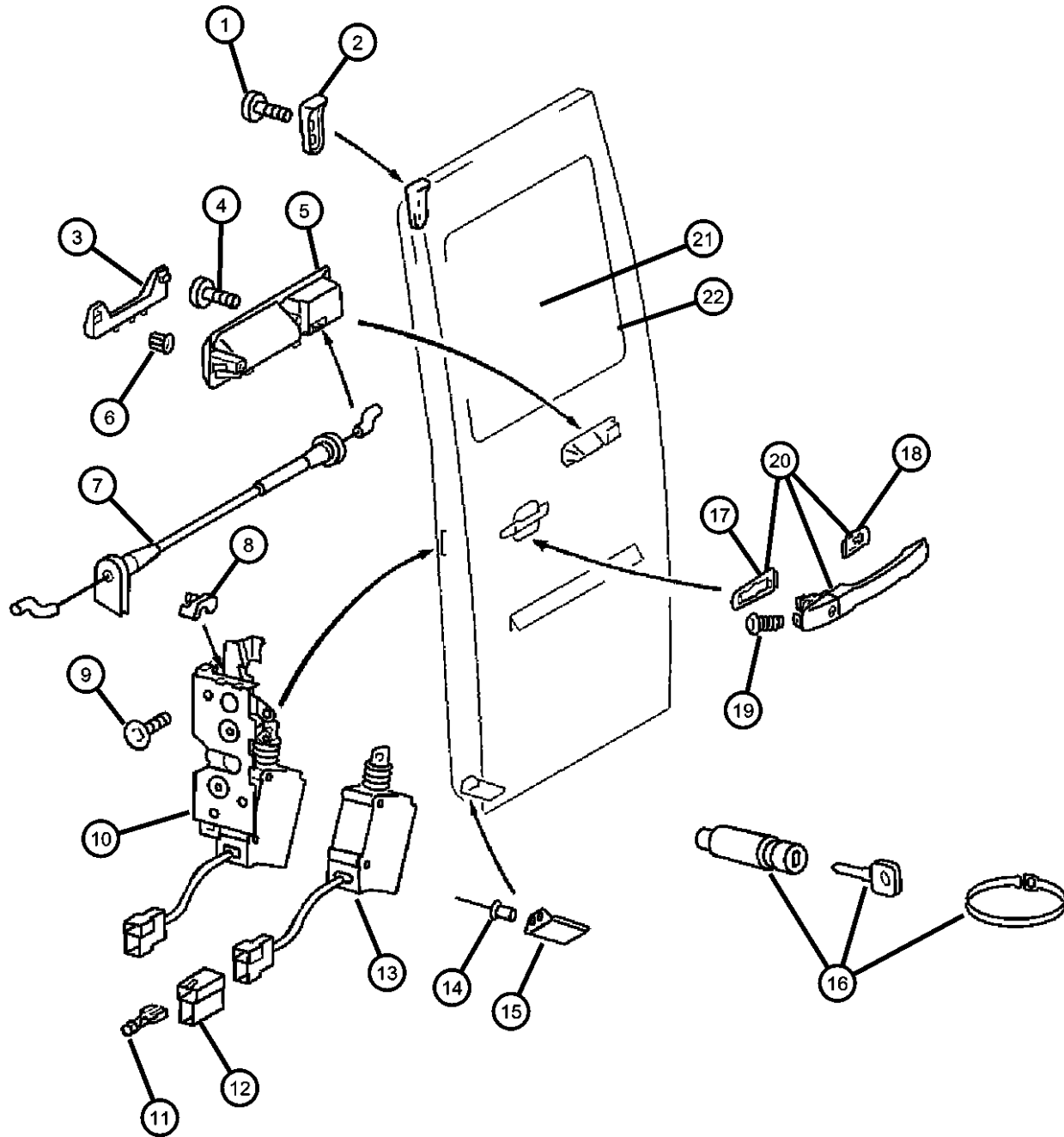
ITEM	PART NUMBER	QTY	LINE	SERIES	BODY	ENGINE	TRANS	TRIM	DESCRIPTION
		1	2, 6	L	11, 12, 14, 15, 16				
		1	3, 7	L	02, 06				
		1	3, 7	L	12, 15, 16				
20	05124094AA	1	2, 6	L	11, 12, 14, 15, 16				HANDLE, Front Door
		1	2, 6	L	51, 52, 54, 55, 56				
		1	2, 6	L	01, 02, 06				
		1	3, 7	L	02, 06				
		1	3, 7	L	12, 15, 16				
21	05124008AA	1	2, 6	L	11, 12, 14, 15, 16				GLASS, Cargo Door Solar, Right
		1	2, 6	L	51, 52, 54, 55, 56				Solar, Right
	05124006AA	1	2, 6	L	11, 12, 14, 15, 16				Solar, Left
		1	2, 6	L	51, 52, 54, 55, 56				Solar, Left
		1	3, 7	L	12, 15, 16				Solar, Left
	05124016AA	1	2, 6	L	51, 52, 54, 55, 56				Solar, Right Hand
		1	3, 7	L	12, 15, 16				Solar, Right
	05124014AA	1	2, 6	L	11, 12, 14, 15, 16				Solar, Left Hand
		1	2, 6	L	51, 52, 54, 55, 56				Solar, Left Hand
		1	3, 7	L	12, 15, 16				Solar, Left Hand
		1	2, 6	L	11, 12, 14, 15, 16				Solar, Right Hand
		1	3, 7	L	12, 15, 16				Solar, Right Hand

SPRINTER (VA)

SERIES	LINE	BODY	ENGINE	TRANSMISSION
L = LOWLINE	3 = HD DODGE 2WD 8 = HD DODGE 4WD 6 = Lt. Duty DODGE 4WD 2 = Med. Duty DODGE 2WD 7 = Med. Duty DODGE 4WD 4 = TRUCK	01 = CHASSIS FORWARD CONTROL W.B.1 02 = CAB CHASSIS WHEEL BASE 2 06 = CAB CHASSIS WHEEL BASE 6 11 = VAN WHEEL BASE 1 12 = VAN WHEEL BASE 2 51 = WAGON WHEEL BASE 1 52 = WAGON WHEEL BASE 2 14 = VAN WHEEL BASE 4 15 = VAN WHEEL BASE 5 54 = WAGON WHEEL BASE 4 55 = WAGON WHEEL BASE 5 56 = WAGON WHEEL BASE 6 16 = VAN WHEEL BASE 6	EX8 = 2.7L I5 Turbo Diesel Engine EX9 = 2.7L I5 Mercedes-Benz TD Engine	DGJ = 5-Speed Automatic MB Transmission DGZ = 4-Spd. Automatic MT643 Transmission

AR = use ase required - = Non illustrated part

**Door, Cargo Glass and Hardware
Figure DVA-420**



ITEM	PART NUMBER	QTY	LINE	SERIES	BODY	ENGINE	TRANS	TRIM	DESCRIPTION
	05134318AA	1	2, 6	L	11, 12, 14, 15, 16				Privacy,Heated, Left Hand
		1	2, 6	L	51, 52, 54, 55, 56				Privacy,Heated, Left Hand
		1	3, 7	L	12, 15, 16				Privacy,Heated, Left Hand
	05134319AA	1	2, 6	L	11, 12, 14, 15, 16				Privacy,Non-Heated, Left Hand
		1	2, 6	L	51, 52, 54, 55, 56				Privacy,Non-Heated, Left Hand
		1	3, 7	L	12, 15, 16				Privacy,Non-Heated, Left Hand
	05134324AA	1	2, 6	L	11, 12, 14, 15, 16				Privacy,Heated, Right Hand
		1	2, 6	L	51, 52, 54, 55, 56				Privacy,Heated, Right Hand
		1	3, 7	L	12, 15, 16				Privacy,Heated, Right Hand
	05134325AA	1	2, 6	L	11, 12, 14, 15, 16				Privacy,Non-Heated, Right Hand
		1	2, 6	L	51, 52, 54, 55, 56				Privacy,Non-Heated, Right Hand
		1	3, 7	L	12, 15, 16				Privacy,Non-Heated, Right Hand
22									WEATHERSTRIP, Sliding Door Glass
	05104364AA	1	2, 6	L	11, 12, 14, 15, 16				
		1	2, 6	L	51, 52, 54, 55, 56				
		1	3, 7	L	12, 15, 16				

SPRINTER (VA)

SERIES
L = LOWLINE

LINE

3 = HD DODGE 2WD
8 = HD DODGE 4WD
6 = Lt. Duty DODGE 4WD
2 = Med. Duty DODGE 2WD
7 = Med. Duty DODGE 4WD
4 = TRUCK

BODY

01 = CHASSIS FORWARD CONTROL W.B.1
02 = CAB CHASSIS WHEEL BASE 2
06 = CAB CHASSIS WHEEL BASE 6
11 = VAN WHEEL BASE 1
12 = VAN WHEEL BASE 2
51 = WAGON WHEEL BASE 1
52 = WAGON WHEEL BASE 2
14 = VAN WHEEL BASE 4
15 = VAN WHEEL BASE 5
54 = WAGON WHEEL BASE 4
55 = WAGON WHEEL BASE 5
56 = WAGON WHEEL BASE 6
16 = VAN WHEEL BASE 6

ENGINE

EX8 = 2.7L I5 Turbo Diesel Engine
EX9 = 2.7L I5 Mercedes-Benz TD Engine

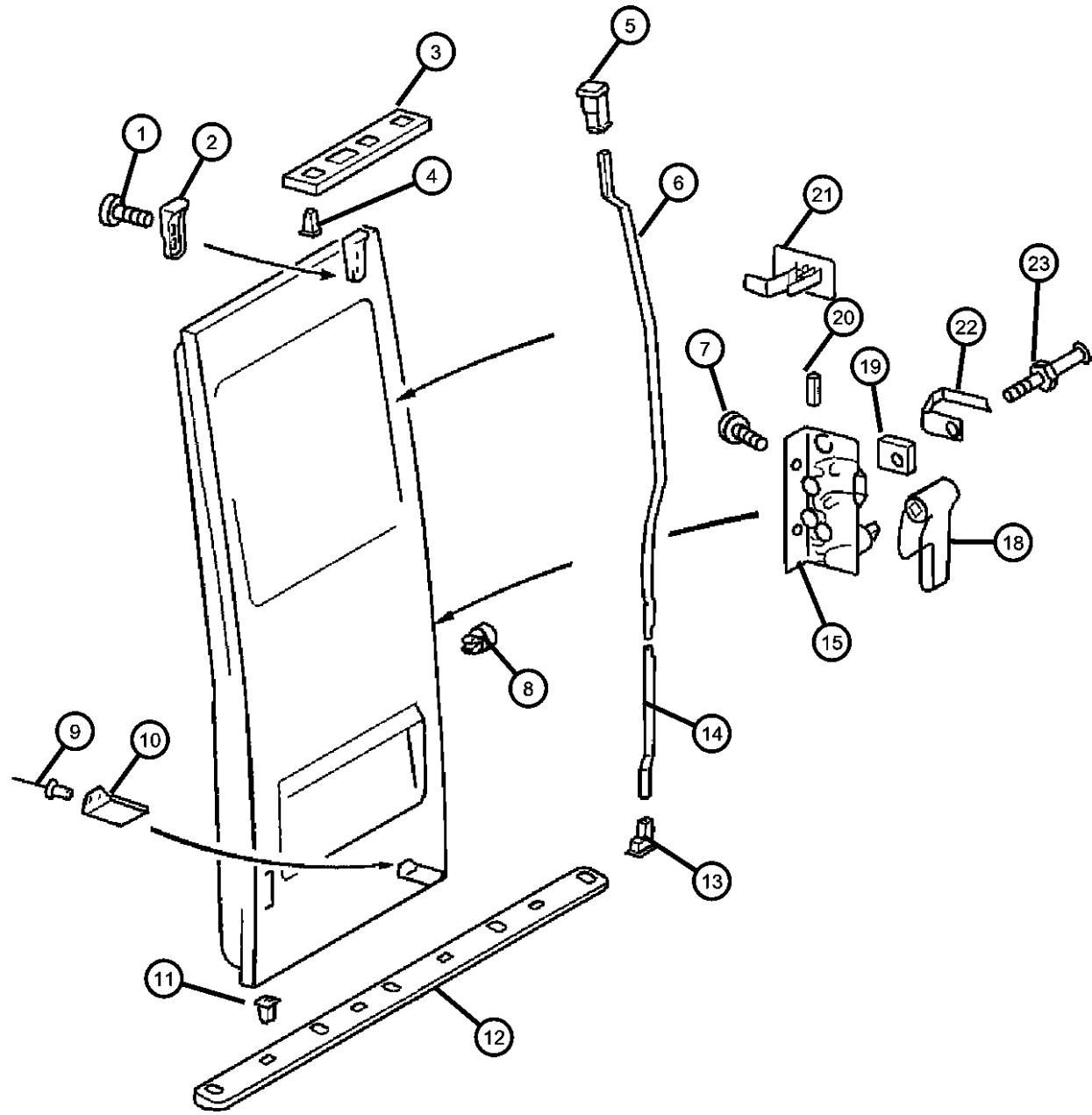
TRANSMISSION

DGJ = 5-Speed Automatic MB Transmission
DGZ = 4-Spd. Automatic MT643 Transmission

AR = use ase required - = Non illustrated part

2006 VA

Left Rear Door, Cargo Lock And Control
Figure DVA-430



ITEM	PART NUMBER	QTY	LINE	SERIES	BODY	ENGINE	TRANS	TRIM	DESCRIPTION
1	06104142AA	2	2, 6	L	01, 02, 06				SCREW
		2	2, 6	L	11, 12, 14, 15, 16				
		2	2, 6	L	51, 52, 54, 55, 56				
		2	3, 7	L	02, 06				
		2	3, 7	L	12, 15, 16				
2	05123997AA	1	3, 7	L	12, 15, 16				SPACER, Door Lock Striker
		1	2, 6	L	11, 12, 14, 15, 16				
		1	2, 6	L	51, 52, 54, 55, 56				
3	05104428AA	1	2, 6	L	11, 12, 14, 15, 16				PLATE, Door Latch Striker
		1	2, 6	L	51, 52, 54, 55, 56				
		1	3, 7	L	12, 15, 16				
4	05104536AA	10	3, 7	L	12, 15, 16				RETAINER
		10	2, 6	L	11, 12, 14, 15, 16				
		10	2, 6	L	51, 52, 54, 55, 56				
5	05104384AA	1	2, 6	L	11, 12, 14, 15, 16				GUIDE
		1	2, 6	L	51, 52, 54, 55, 56				
		1	3, 7	L	12, 15, 16				
6	05133928AA	1	3, 7	L	12				ROD, Inside Handle to Latch With Standard Roof

SPRINTER (VA)

SERIES

L = LOWLINE
 3 = HD DODGE 2WD
 8 = HD DODGE 4WD
 6 = Lt. Duty DODGE 4WD
 2 = Med. Duty DODGE 2WD
 7 = Med. Duty DODGE 4WD
 4 = TRUCK

LINE

BODY

01 = CHASSIS FORWARD CONTROL W.B.1
 02 = CAB CHASSIS WHEEL BASE 2
 06 = CAB CHASSIS WHEEL BASE 6
 11 = VAN WHEEL BASE 1
 12 = VAN WHEEL BASE 2
 51 = WAGON WHEEL BASE 1
 52 = WAGON WHEEL BASE 2
 14 = VAN WHEEL BASE 4
 15 = VAN WHEEL BASE 5
 54 = WAGON WHEEL BASE 4
 55 = WAGON WHEEL BASE 5
 56 = WAGON WHEEL BASE 6
 16 = VAN WHEEL BASE 6

ENGINE

EX8 = 2.7L I5 Turbo Diesel Engine
 EX9 = 2.7L I5 Mercedes-Benz TD Engine

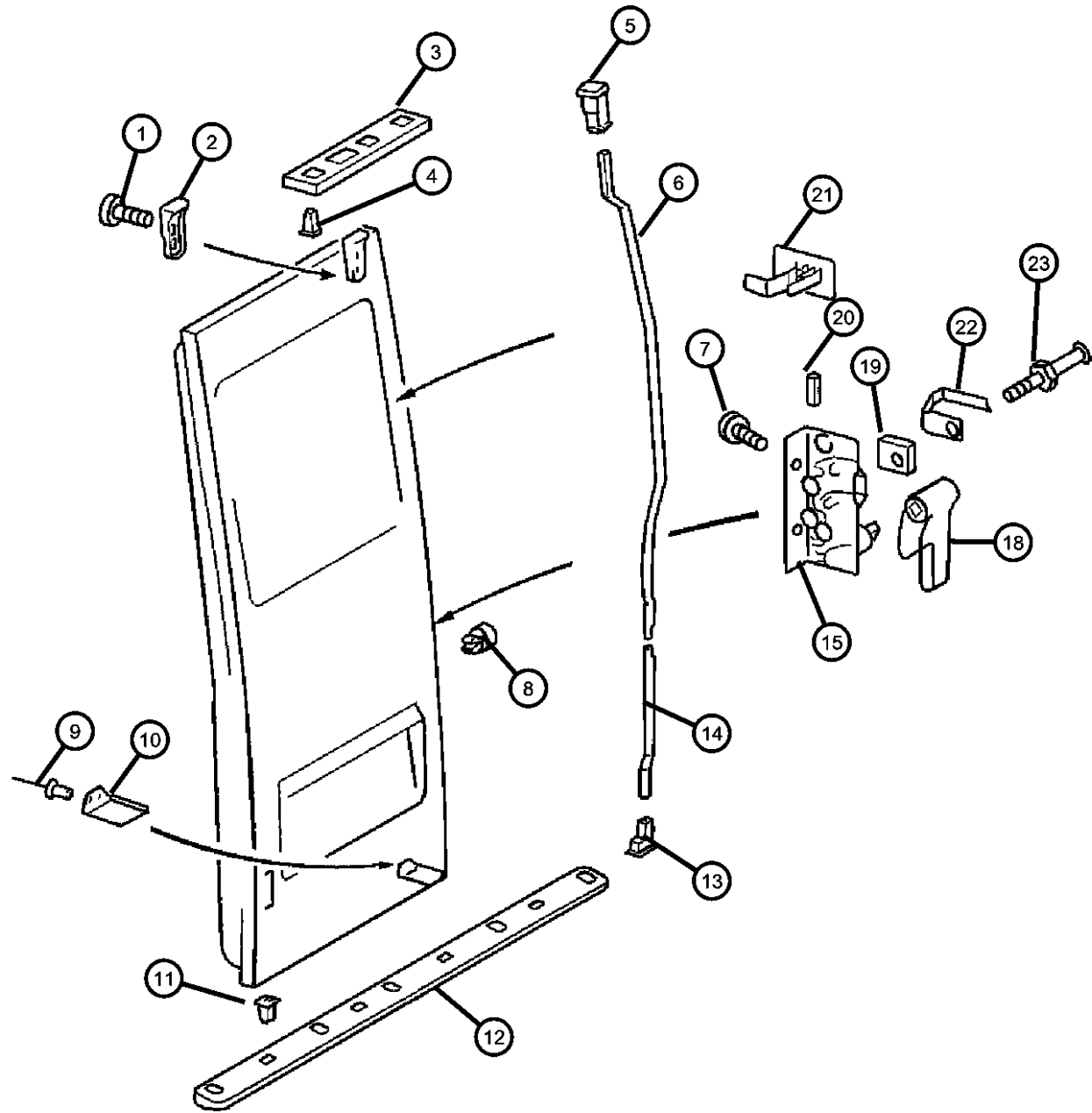
TRANSMISSION

DGJ = 5-Speed Automatic MB Transmission
 DGZ = 4-Spd. Automatic MT643 Transmission

AR = use ase required - = Non illustrated part

2006 VA

Left Rear Door, Cargo Lock And Control
Figure DVA-430



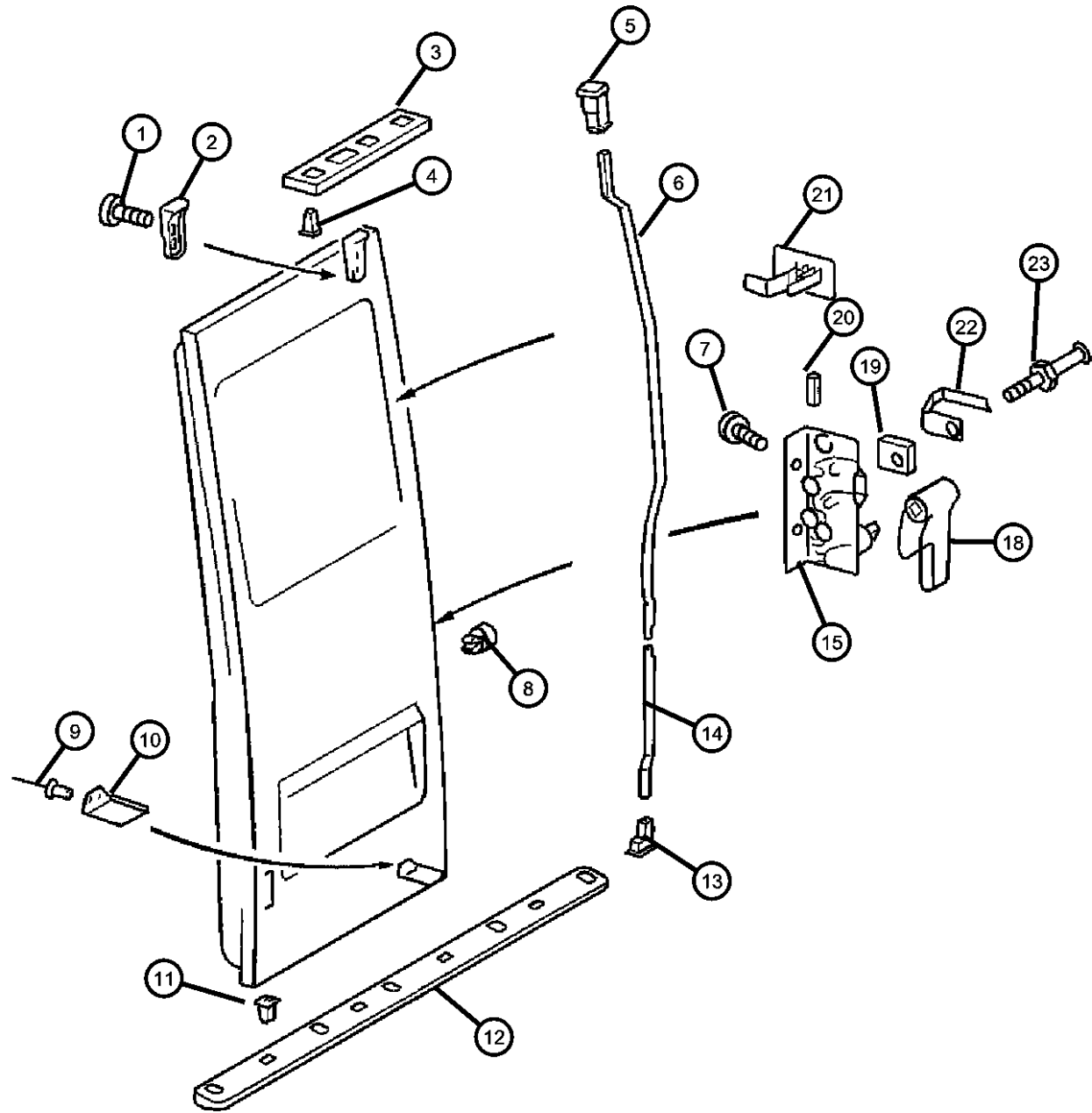
ITEM	PART NUMBER	QTY	LINE	SERIES	BODY	ENGINE	TRANS	TRIM	DESCRIPTION
	05133929AA	1	2, 6	L	14, 15, 16				With High Roof
		1	2, 6	L	54, 55, 56				With High Roof
		1	3, 7	L	15, 16				With High Roof
		1	2, 6	L	11, 12				With Standard Roof
		1	2, 6	L	51, 52				With Standard Roof
7		1							SCREW, "ELECTRIC CHANGE-OVER VALVE TO BRACKET, M 6X12", SPRINTER, (NOT SERVICED), CLIP
8	05125577AA	2	2, 6	L	11, 12, 14, 15, 16				
		2	2, 6	L	51, 52, 54, 55, 56				
		2	3, 7	L	12, 15, 16				
9	05125819AA	2	2, 6	L	11, 12, 14, 15, 16				RIVET
		2	2, 6	L	51, 52, 54, 55, 56				
		2	3, 7	L	12, 15, 16				
10	05123997AA	1	2, 6	L	51, 52, 54, 55, 56				SPACER, Door Lock Striker
		1	3, 7	L	12, 15, 16				
		1	2, 6	L	11, 12, 14, 15, 16				
11	05104536AA	10	2, 6	L	11, 12, 14, 15, 16				RETAINER
		10	2, 6	L	51, 52, 54, 55, 56				
		10	3, 7	L	12, 15, 16				

SPRINTER (VA)

SERIES	LINE	BODY	ENGINE	TRANSMISSION
L = LOWLINE	3 = HD DODGE 2WD 8 = HD DODGE 4WD 6 = Lt. Duty DODGE 4WD 2 = Med. Duty DODGE 2WD 7 = Med. Duty DODGE 4WD 4 = TRUCK	01 = CHASSIS FORWARD CONTROL W.B.1 02 = CAB CHASSIS WHEEL BASE 2 06 = CAB CHASSIS WHEEL BASE 6 11 = VAN WHEEL BASE 1 12 = VAN WHEEL BASE 2 51 = WAGON WHEEL BASE 1 52 = WAGON WHEEL BASE 2 14 = VAN WHEEL BASE 4 15 = VAN WHEEL BASE 5 54 = WAGON WHEEL BASE 4 55 = WAGON WHEEL BASE 5 56 = WAGON WHEEL BASE 6 16 = VAN WHEEL BASE 6	EX8 = 2.7L I5 Turbo Diesel Engine EX9 = 2.7L I5 Mercedes-Benz TD Engine	DGJ = 5-Speed Automatic MB Transmission DGZ = 4-Spd. Automatic MT643 Transmission

AR = use ase required - = Non illustrated part

Left Rear Door, Cargo Lock And Control
Figure DVA-430



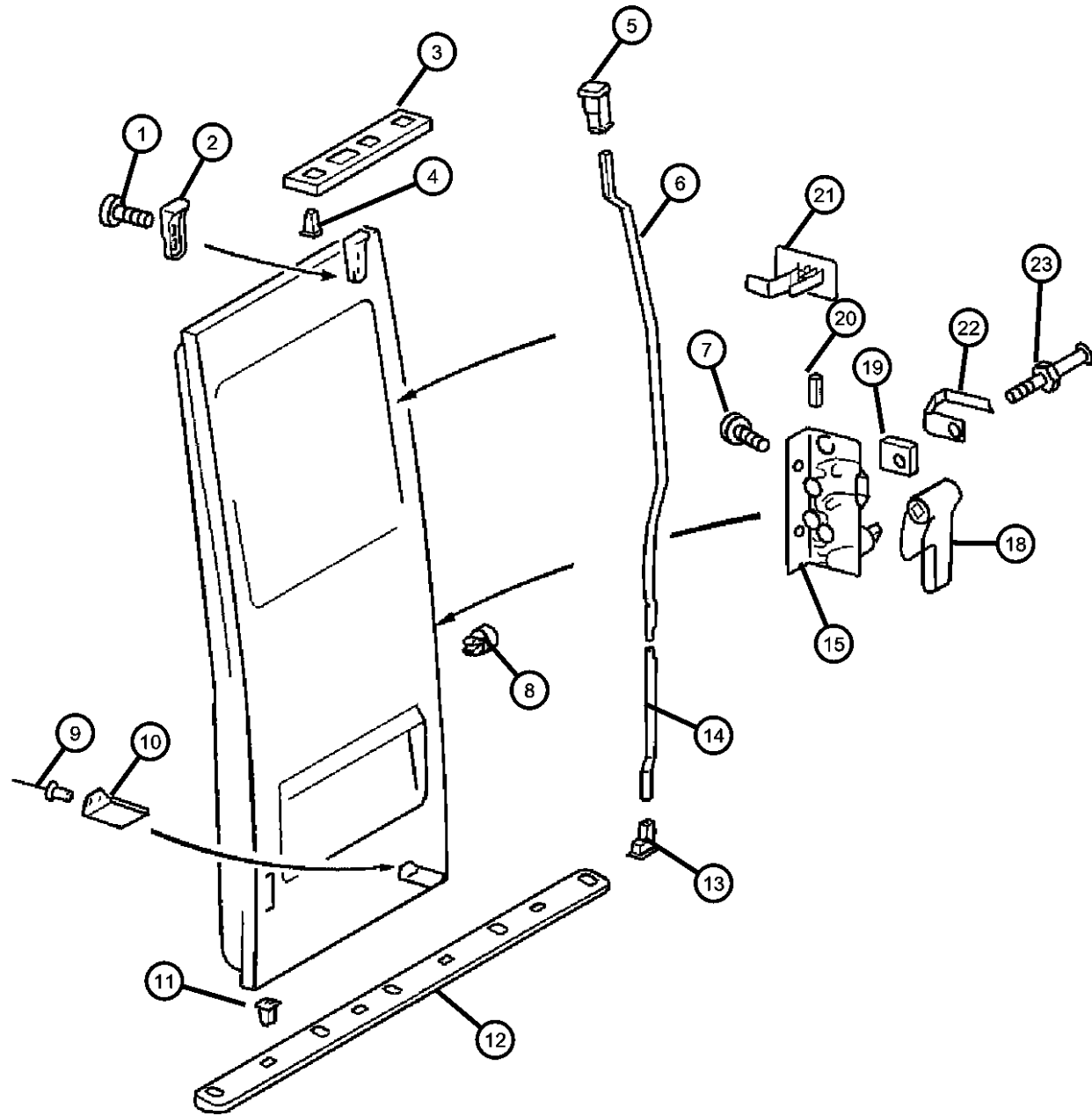
ITEM	PART NUMBER	QTY	LINE	SERIES	BODY	ENGINE	TRANS	TRIM	DESCRIPTION
12	05104425AA	1	2, 6	L	11, 12, 14, 15, 16				PLATE, Rear Door Scuff
		1	2, 6	L	51, 52, 54, 55, 56				
		1	3, 7	L	12, 15, 16				
13	05103959AA	1	2, 6	L	11, 12, 14, 15, 16				GUIDE
		1	2, 6	L	51, 52, 54, 55, 56				
		1	3, 7	L	12, 15, 16				
14	05124000AA	1	2, 6	L	51, 52, 54, 55, 56				ROD, Inside Handle to Latch
		1	3, 7	L	12, 15, 16				
		1	2, 6	L	11, 12, 14, 15, 16				
15	05104368AA	1	2, 6	L	11, 12, 14, 15, 16				LOCK, Rear Cargo Door
		1	3, 7	L	12, 15, 16				
-16	05104371AA	1	3, 7	L	12, 15, 16				LATCH, Rear Door
-17	05104339AA	1	3, 7	L	12, 15, 16				LATCH, Rear ManualRight
18	05104383AA	1	2, 6	L	11, 12, 14, 15, 16				HANDLE, Inside Release
		1	2, 6	L	51, 52, 54, 55, 56				
		1	3, 7	L	12, 15, 16				
19	05103668AA	1	2, 6	L	11, 12, 14, 15, 16				NUT

SPRINTER (VA)

SERIES	LINE	BODY	ENGINE	TRANSMISSION
L = LOWLINE	3 = HD DODGE 2WD 8 = HD DODGE 4WD 6 = Lt. Duty DODGE 4WD 2 = Med. Duty DODGE 2WD 7 = Med. Duty DODGE 4WD 4 = TRUCK	01 = CHASSIS FORWARD CONTROL W.B.1 02 = CAB CHASSIS WHEEL BASE 2 06 = CAB CHASSIS WHEEL BASE 6 11 = VAN WHEEL BASE 1 12 = VAN WHEEL BASE 2 51 = WAGON WHEEL BASE 1 52 = WAGON WHEEL BASE 2 14 = VAN WHEEL BASE 4 15 = VAN WHEEL BASE 5 54 = WAGON WHEEL BASE 4 55 = WAGON WHEEL BASE 5 56 = WAGON WHEEL BASE 6 16 = VAN WHEEL BASE 6	EX8 = 2.7L I5 Turbo Diesel Engine EX9 = 2.7L I5 Mercedes-Benz TD Engine	DGJ = 5-Speed Automatic MB Transmission DGZ = 4-Spd. Automatic MT643 Transmission

AR = use ase required - = Non illustrated part

Left Rear Door, Cargo Lock And Control
Figure DVA-430



ITEM	PART NUMBER	QTY	LINE	SERIES	BODY	ENGINE	TRANS	TRIM	DESCRIPTION
		1	2, 6	L	51, 52, 54, 55, 56				
		1	3, 7	L	12, 15, 16				
20	05133930AA	1	3, 7	L	12, 15, 16				BUSHING
		1	2, 6	L	11, 12, 14, 15, 16				
		1	2, 6	L	51, 52, 54, 55, 56				
21	05104382AA	1	2, 6	L	11, 12, 14, 15, 16				GUIDE
		1	2, 6	L	51, 52, 54, 55, 56				
		1	3, 7	L	12, 15, 16				
22	05103670AA	1	2, 6	L	11, 12, 14, 15, 16				CLAMP
		1	2, 6	L	51, 52, 54, 55, 56				
		1	3, 7	L	12, 15, 16				
23	05103669AA	1	2, 6	L	51, 52, 54, 55, 56				PIN, Latch Striker
		1	3, 7	L	12, 15, 16				
		1	2, 6	L	11, 12, 14, 15, 16				

SPRINTER (VA)

SERIES

L = LOWLINE
 3 = HD DODGE 2WD
 8 = HD DODGE 4WD
 6 = Lt. Duty DODGE 4WD
 2 = Med. Duty DODGE 2WD
 7 = Med. Duty DODGE 4WD
 4 = TRUCK

LINE

BODY

01 = CHASSIS FORWARD CONTROL W.B.1
 02 = CAB CHASSIS WHEEL BASE 2
 06 = CAB CHASSIS WHEEL BASE 6
 11 = VAN WHEEL BASE 1
 12 = VAN WHEEL BASE 2
 51 = WAGON WHEEL BASE 1
 52 = WAGON WHEEL BASE 2
 14 = VAN WHEEL BASE 4
 15 = VAN WHEEL BASE 5
 54 = WAGON WHEEL BASE 4
 55 = WAGON WHEEL BASE 5
 56 = WAGON WHEEL BASE 6
 16 = VAN WHEEL BASE 6

ENGINE

EX8 = 2.7L I5 Turbo Diesel Engine
 EX9 = 2.7L I5 Mercedes-Benz TD Engine

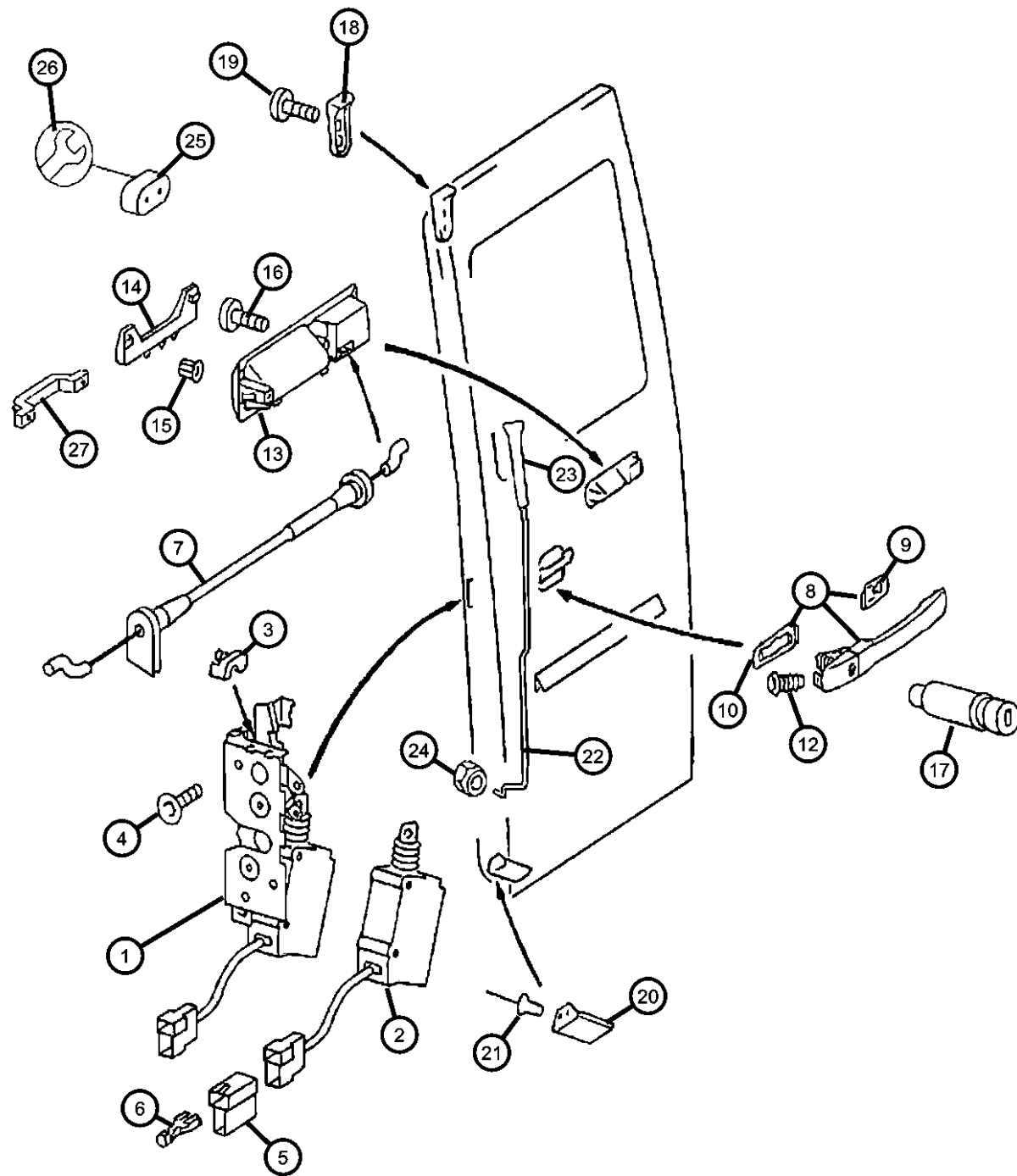
TRANSMISSION

DGJ = 5-Speed Automatic MB Transmission
 DGZ = 4-Spd. Automatic MT643 Transmission

AR = use ase required - = Non illustrated part

2006 VA

Right Rear Door, Cargo Lock And Control
Figure DVA-440



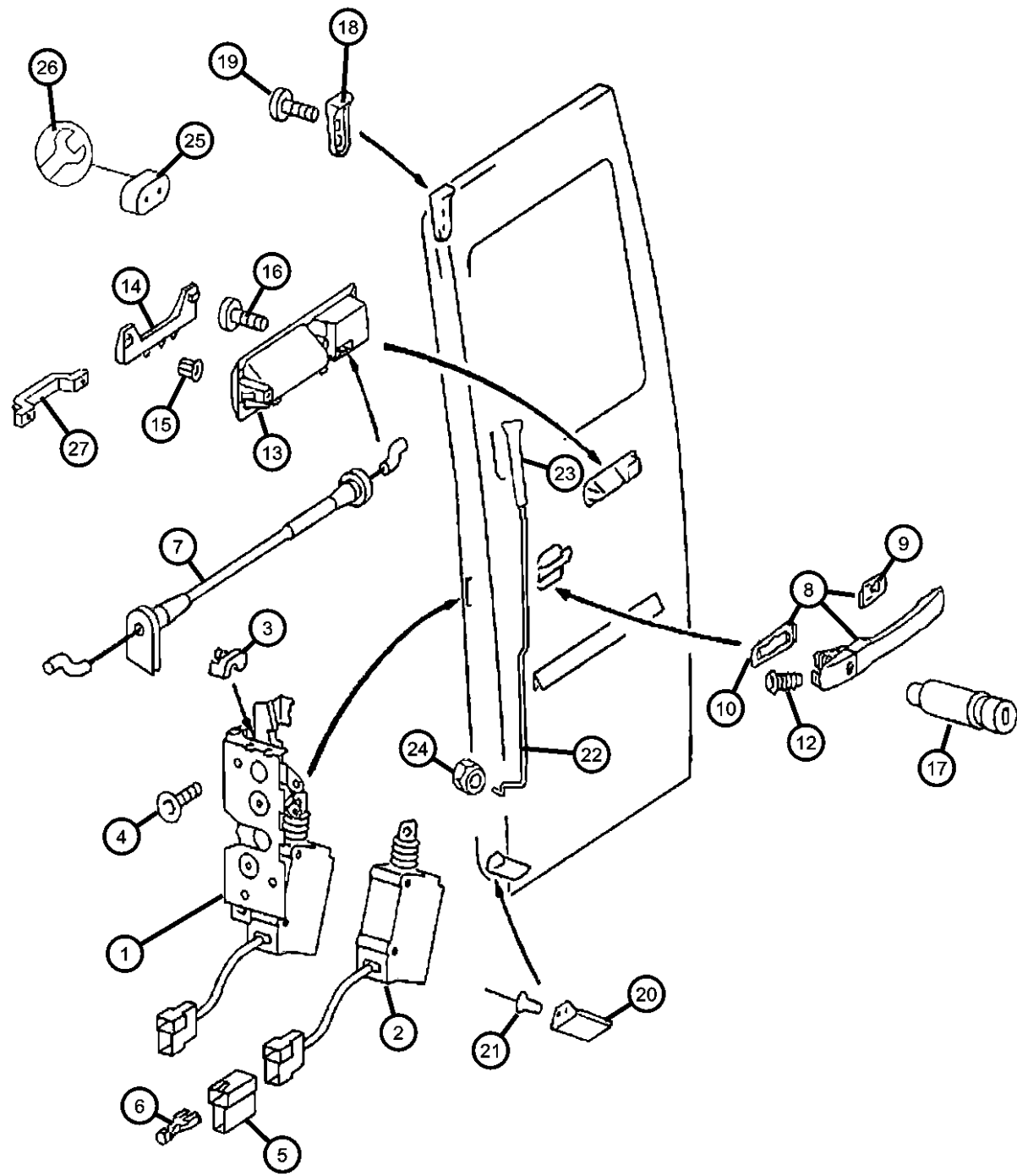
ITEM	PART NUMBER	QTY	LINE	SERIES	BODY	ENGINE	TRANS	TRIM	DESCRIPTION
1	05104339AA	1	2, 3, 6, 7	L					LATCH, Rear Door Without [JPB]
	05104371AA	1	2, 3, 6, 7	L					With [JPB] Without [CFB]
	05131997AA	1	2, 6	L					With [JPB+CFB]
	05132001AA	1	2, 6	L					With [CFB] Without [JPB]
2	05133998AA	1	2, 6	L	11, 12, 14, 15, 16				ACTUATOR, Power Door Lock
		1	2, 6	L	51, 52, 54, 55, 56				
		1	3, 7	L	12, 15, 16				
3	05103674AA	1	2, 6	L	11, 12, 14, 15, 16				CONNECTOR, Solenoid
		1	2, 6	L	51, 52, 54, 55, 56				
		1	3, 7	L	12, 15, 16				
4	06104120AA	2	2, 6	L	11, 12, 14, 15, 16				SCREW, Hex Head, M6x12
		2	2, 6	L	51, 52, 54, 55, 56				
		3	3, 7	L	12, 15, 16				
5	05103754AA	1	2, 6	L	11, 12, 14, 15, 16				INSULATOR, 2 Way Female
		1	2, 6	L	51, 52, 54, 55, 56				
		2	3, 7	L	12, 15, 16				
6	05114451AA	99	2, 6	L	14, 15, 16, 11, 12				TERMINAL, Female [1.0 - 2.5 MM2]
		99	2, 6	L	51, 52, 54, 55, 56				[1.0 - 2.5 MM2]

SPRINTER (VA)

SERIES	LINE	BODY	ENGINE	TRANSMISSION
L = LOWLINE	3 = HD DODGE 2WD 8 = HD DODGE 4WD 6 = Lt. Duty DODGE 4WD 2 = Med. Duty DODGE 2WD 7 = Med. Duty DODGE 4WD 4 = TRUCK	01 = CHASSIS FORWARD CONTROL W.B.1 02 = CAB CHASSIS WHEEL BASE 2 06 = CAB CHASSIS WHEEL BASE 6 11 = VAN WHEEL BASE 1 12 = VAN WHEEL BASE 2 51 = WAGON WHEEL BASE 1 52 = WAGON WHEEL BASE 2 14 = VAN WHEEL BASE 4 15 = VAN WHEEL BASE 5 54 = WAGON WHEEL BASE 4 55 = WAGON WHEEL BASE 5 56 = WAGON WHEEL BASE 6 16 = VAN WHEEL BASE 6	EX8 = 2.7L I5 Turbo Diesel Engine EX9 = 2.7L I5 Mercedes-Benz TD Engine	DGJ = 5-Speed Automatic MB Transmission DGZ = 4-Spd. Automatic MT643 Transmission

AR = use ase required - = Non illustrated part

Right Rear Door, Cargo Lock And Control
Figure DVA-440



ITEM	PART NUMBER	QTY	LINE	SERIES	BODY	ENGINE	TRANS	TRIM	DESCRIPTION
		99	3, 7	L	12, 15, 16				[1.0 - 2.5 MM2]
	05133359AA	1	2, 6	L	11, 12, 14, 15, 16				[0.5 - 1.0 MM2]
		1	2, 6	L	51, 52, 54, 55, 56				[0.5 - 1.0 MM2]
		1	3, 7	L	12, 15, 16				[0.5 - 1.0 MM2]
7	05104416AA	1	2, 6	L	11, 12, 14, 15, 16				CABLE
		1	2, 6	L	51, 52, 54, 55, 56				
		1	3, 7	L	12, 15, 16				
8	05124094AA	1	2, 6	L	11, 12, 14, 15, 16				HANDLE, Front Door Rear Door Handle
		1	2, 6	L	51, 52, 54, 55, 56				Rear Door Handle
		1	3, 7	L	12, 15, 16				Rear Door Handle PAD
9	05103672AA	1	2, 6	L	11, 12, 14, 15, 16				
		1	2, 6	L	51, 52, 54, 55, 56				
		1	3, 7	L	12, 15, 16				
10	05103673AA	1	2, 6	L	11, 12, 14, 15, 16				PAD
		1	2, 6	L	51, 52, 54, 55, 56				
		1	3, 7	L	12, 15, 16				
-11	05103712AA	1	2, 6	L	11, 12, 14, 15, 16				PAD, Isolator [3x70MM] At Handle

SPRINTER (VA)

SERIES

L = LOWLINE
 3 = HD DODGE 2WD
 8 = HD DODGE 4WD
 6 = Lt. Duty DODGE 4WD
 2 = Med. Duty DODGE 2WD
 7 = Med. Duty DODGE 4WD
 4 = TRUCK

LINE

BODY

01 = CHASSIS FORWARD CONTROL W.B.1
 02 = CAB CHASSIS WHEEL BASE 2
 06 = CAB CHASSIS WHEEL BASE 6
 11 = VAN WHEEL BASE 1
 12 = VAN WHEEL BASE 2
 51 = WAGON WHEEL BASE 1
 52 = WAGON WHEEL BASE 2
 14 = VAN WHEEL BASE 4
 15 = VAN WHEEL BASE 5
 54 = WAGON WHEEL BASE 4
 55 = WAGON WHEEL BASE 5
 56 = WAGON WHEEL BASE 6
 16 = VAN WHEEL BASE 6

ENGINE

EX8 = 2.7L I5 Turbo Diesel Engine
 EX9 = 2.7L I5 Mercedes-Benz TD Engine

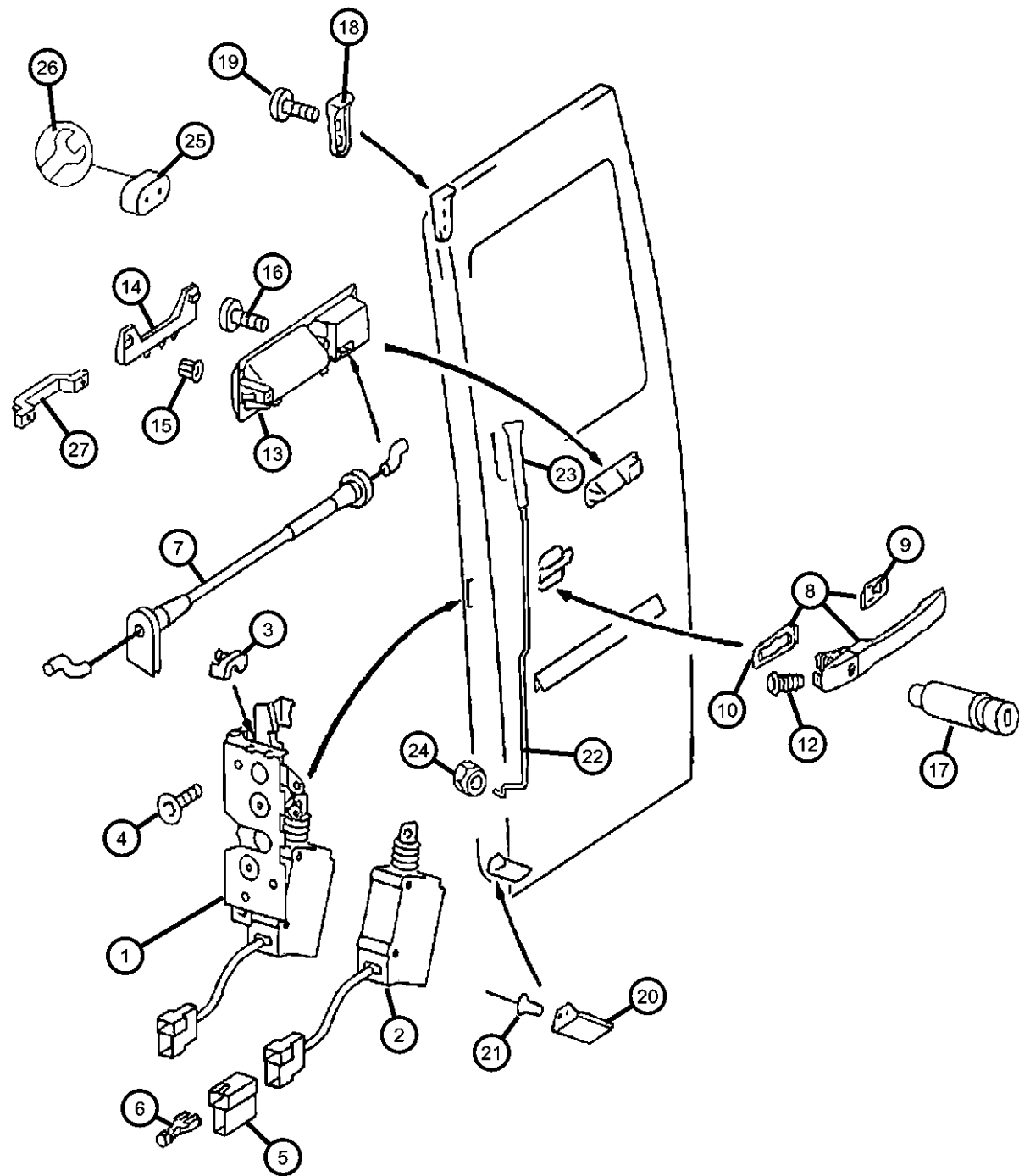
TRANSMISSION

DGJ = 5-Speed Automatic MB Transmission
 DGZ = 4-Spd. Automatic MT643 Transmission

AR = use ase required - = Non illustrated part

2006 VA

Right Rear Door, Cargo Lock And Control
Figure DVA-440



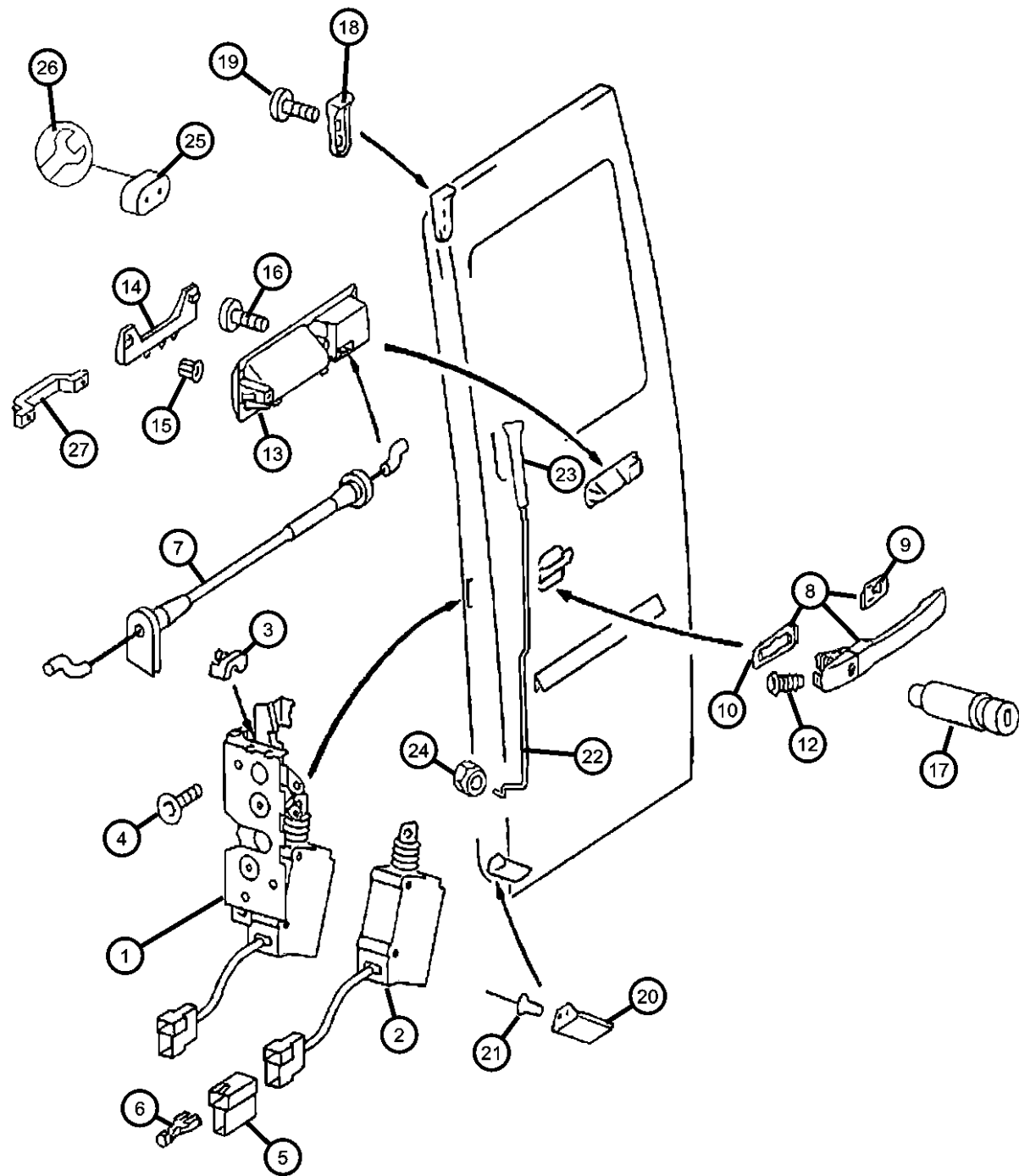
ITEM	PART NUMBER	QTY	LINE	SERIES	BODY	ENGINE	TRANS	TRIM	DESCRIPTION
		1	2, 6	L	51, 52, 54, 55, 56				[3x70MM] At Handle
		1	3, 7	L	12, 15, 16				[3x70MM] At Handle
12	05125414AA	1	2, 6	L	11, 12, 14, 15, 16				SCREW, Front Door Handle
		1	2, 6	L	51, 52, 54, 55, 56				
		1	3, 7	L	12, 15, 16				
13	05132053AA	1	2, 6	L	11, 12, 14, 15, 16				HANDLE, Rear Door Interior
		1	2, 6	L	51, 52, 54, 55, 56				
14	1AT60BD1AA	1	2, 6	L	11, 12, 14, 15, 16				COVER, Handle
		1	2, 6	L	51, 52, 54, 55, 56				
		1	2, 6	L	51, 52, 54, 55, 56				
		1	3, 7	L	12, 15, 16				
15	06104884AA	2	2, 6	L	11, 12, 14, 15, 16				NUT
		2	2, 6	L	51, 52, 54, 55, 56				
		2	3, 7	L	12, 15, 16				
16	06104142AA	2	2, 6	L	11, 12, 14, 15, 16				SCREW, Pan Head, M6x1.00x16.00
		2	2, 6	L	51, 52, 54, 55, 56				
		2	3, 7	L	12, 15, 16				
17									CYLINDER, Door Lock

SPRINTER (VA)

SERIES	LINE	BODY	ENGINE	TRANSMISSION
L = LOWLINE	3 = HD DODGE 2WD 8 = HD DODGE 4WD 6 = Lt. Duty DODGE 4WD 2 = Med. Duty DODGE 2WD 7 = Med. Duty DODGE 4WD 4 = TRUCK	01 = CHASSIS FORWARD CONTROL W.B.1 02 = CAB CHASSIS WHEEL BASE 2 06 = CAB CHASSIS WHEEL BASE 6 11 = VAN WHEEL BASE 1 12 = VAN WHEEL BASE 2 51 = WAGON WHEEL BASE 1 52 = WAGON WHEEL BASE 2 14 = VAN WHEEL BASE 4 15 = VAN WHEEL BASE 5 54 = WAGON WHEEL BASE 4 55 = WAGON WHEEL BASE 5 56 = WAGON WHEEL BASE 6 16 = VAN WHEEL BASE 6	EX8 = 2.7L I5 Turbo Diesel Engine EX9 = 2.7L I5 Mercedes-Benz TD Engine	DGJ = 5-Speed Automatic MB Transmission DGZ = 4-Spd. Automatic MT643 Transmission

AR = use ase required - = Non illustrated part

Right Rear Door, Cargo Lock And Control
Figure DVA-440



ITEM	PART NUMBER	QTY	LINE	SERIES	BODY	ENGINE	TRANS	TRIM	DESCRIPTION
	05114364AA	1	2, 6	L	11, 12, 14, 15, 16				
		1	2, 6	L	51, 52, 54, 55, 56				
18		1	3, 7	L	12, 15, 16				SPACER, Door Lock Striker
	05123997AA	1	2, 6	L	11, 12, 14, 15, 16				
		1	2, 6	L	51, 52, 54, 55, 56				
19		1	3, 7	L	12, 15, 16				SCREW, Pan Head, M6x1.00x16.00
	06104142AA	2	2, 6	L	11, 12, 14, 15, 16				
		2	2, 6	L	51, 52, 54, 55, 56				
20		2	3, 7	L	12, 15, 16				SPACER, Door Lock Striker
	05123999AA	1	2, 6	L	11, 12, 14, 15, 16				
		1	2, 6	L	51, 52, 54, 55, 56				
21		1	3, 7	L	12, 15, 16				RIVET
	05125819AA	2	2, 6	L	11, 12, 14, 15, 16				
		2	2, 6	L	51, 52, 54, 55, 56				
22		2	3, 7	L	12, 15, 16				ROD, Latch To Knob
	05132046AA	1	2, 6	L	11, 12, 14, 15, 16				
		1	2, 6	L	51, 52, 54, 55, 56				

SPRINTER (VA)

SERIES

L = LOWLINE
 3 = HD DODGE 2WD
 8 = HD DODGE 4WD
 6 = Lt. Duty DODGE 4WD
 2 = Med. Duty DODGE 2WD
 7 = Med. Duty DODGE 4WD
 4 = TRUCK

LINE

BODY

01 = CHASSIS FORWARD CONTROL W.B.1
 02 = CAB CHASSIS WHEEL BASE 2
 06 = CAB CHASSIS WHEEL BASE 6
 11 = VAN WHEEL BASE 1
 12 = VAN WHEEL BASE 2
 51 = WAGON WHEEL BASE 1
 52 = WAGON WHEEL BASE 2
 14 = VAN WHEEL BASE 4
 15 = VAN WHEEL BASE 5
 54 = WAGON WHEEL BASE 4
 55 = WAGON WHEEL BASE 5
 56 = WAGON WHEEL BASE 6
 16 = VAN WHEEL BASE 6

ENGINE

EX8 = 2.7L I5 Turbo Diesel Engine
 EX9 = 2.7L I5 Mercedes-Benz TD Engine

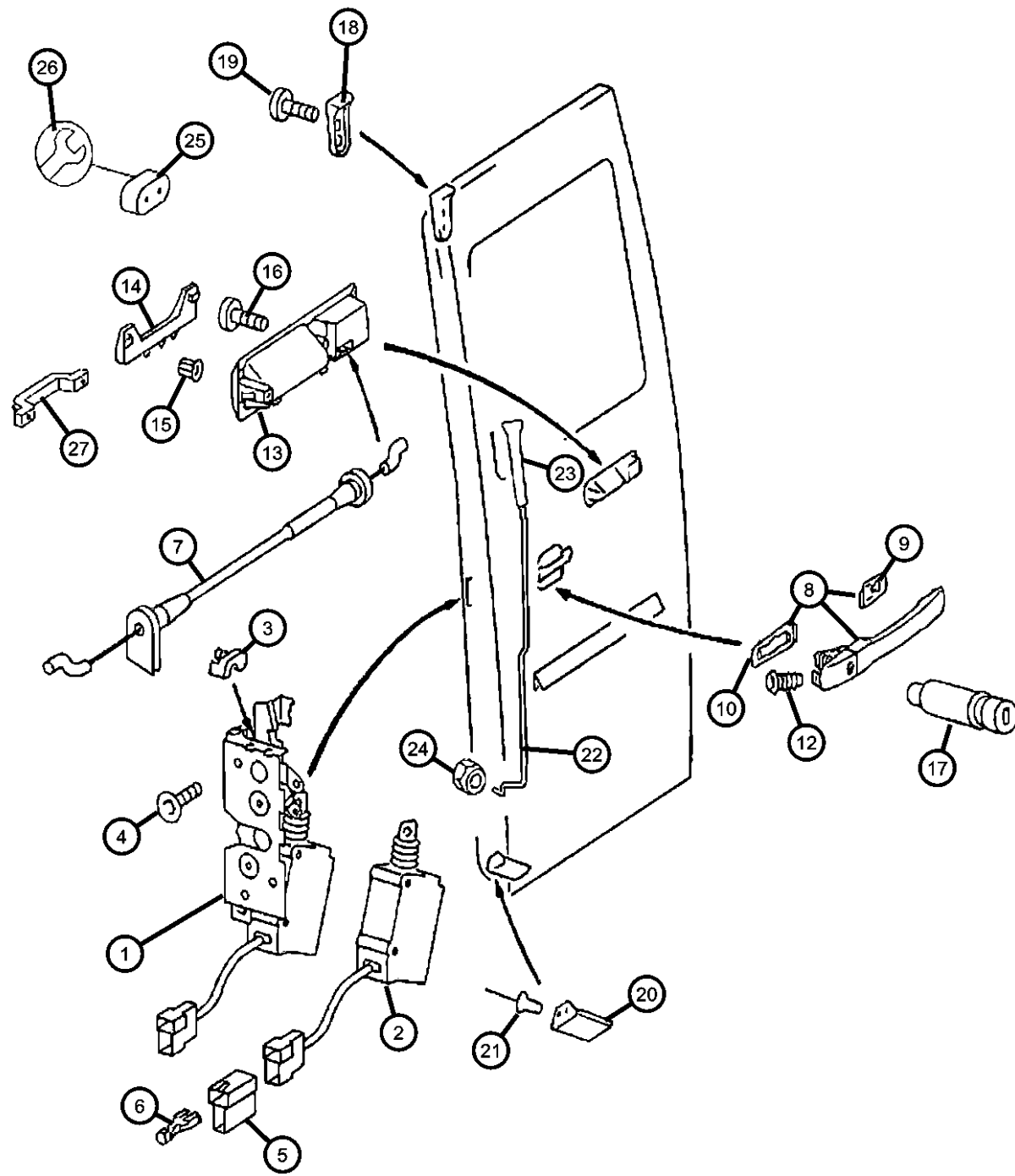
TRANSMISSION

DGJ = 5-Speed Automatic MB Transmission
 DGZ = 4-Spd. Automatic MT643 Transmission

AR = use ase required - = Non illustrated part

2006 VA

Right Rear Door, Cargo Lock And Control
Figure DVA-440



ITEM	PART NUMBER	QTY	LINE	SERIES	BODY	ENGINE	TRANS	TRIM	DESCRIPTION
23	1AX60XDVAA	1	2, 6	L	11, 12, 14, 15, 16				KNOB, Door Lock
		1	2, 6	L	51, 52, 54, 55, 56				
24	05132778AA	1	2, 6	L	11, 12, 14, 15, 16				BUSHING
		1	2, 6	L	51, 52, 54, 55, 56				
25	05132055AA	1	2, 6	L	11, 12, 14, 15, 16				PAD
26	05132773AA	1	2, 6	L	11, 12, 14, 15, 16				FASTENER
27	05132006AA	1	2, 6	L	11, 12, 14, 15, 16				HANDLE, Rear Door Interior

SPRINTER (VA)

SERIES
L = LOWLINE

LINE
3 = HD DODGE 2WD
8 = HD DODGE 4WD
6 = Lt. Duty DODGE 4WD
2 = Med. Duty DODGE 2WD
7 = Med. Duty DODGE 4WD
4 = TRUCK

BODY
01 = CHASSIS FORWARD CONTROL W.B.1
02 = CAB CHASSIS WHEEL BASE 2
06 = CAB CHASSIS WHEEL BASE 6
11 = VAN WHEEL BASE 1
12 = VAN WHEEL BASE 2
51 = WAGON WHEEL BASE 1
52 = WAGON WHEEL BASE 2
14 = VAN WHEEL BASE 4
15 = VAN WHEEL BASE 5
54 = WAGON WHEEL BASE 4
55 = WAGON WHEEL BASE 5
56 = WAGON WHEEL BASE 6
16 = VAN WHEEL BASE 6

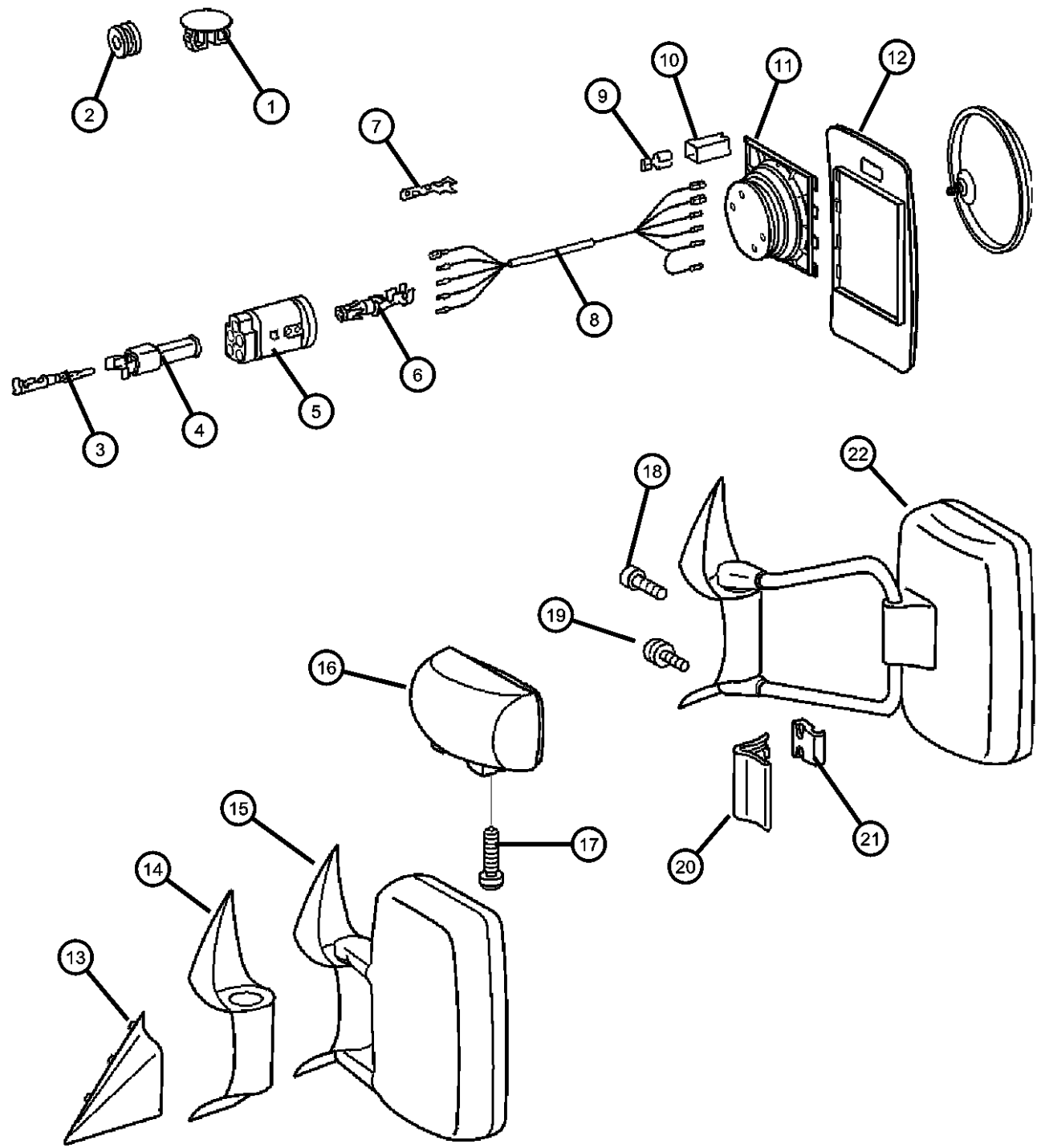
ENGINE
EX8 = 2.7L I5 Turbo Diesel Engine
EX9 = 2.7L I5 Mercedes-Benz TD Engine

TRANSMISSION
DGJ = 5-Speed Automatic MB Transmission
DGZ = 4-Spd. Automatic MT643 Transmission

AR = use ase required - = Non illustrated part

2006 VA

Mirrors, Exterior
Figure DVA-520



ITEM	PART NUMBER	QTY	LINE	SERIES	BODY	ENGINE	TRANS	TRIM	DESCRIPTION
------	-------------	-----	------	--------	------	--------	-------	------	-------------

Sales Code:
[XZD]= Mirrors Width up to 90.5

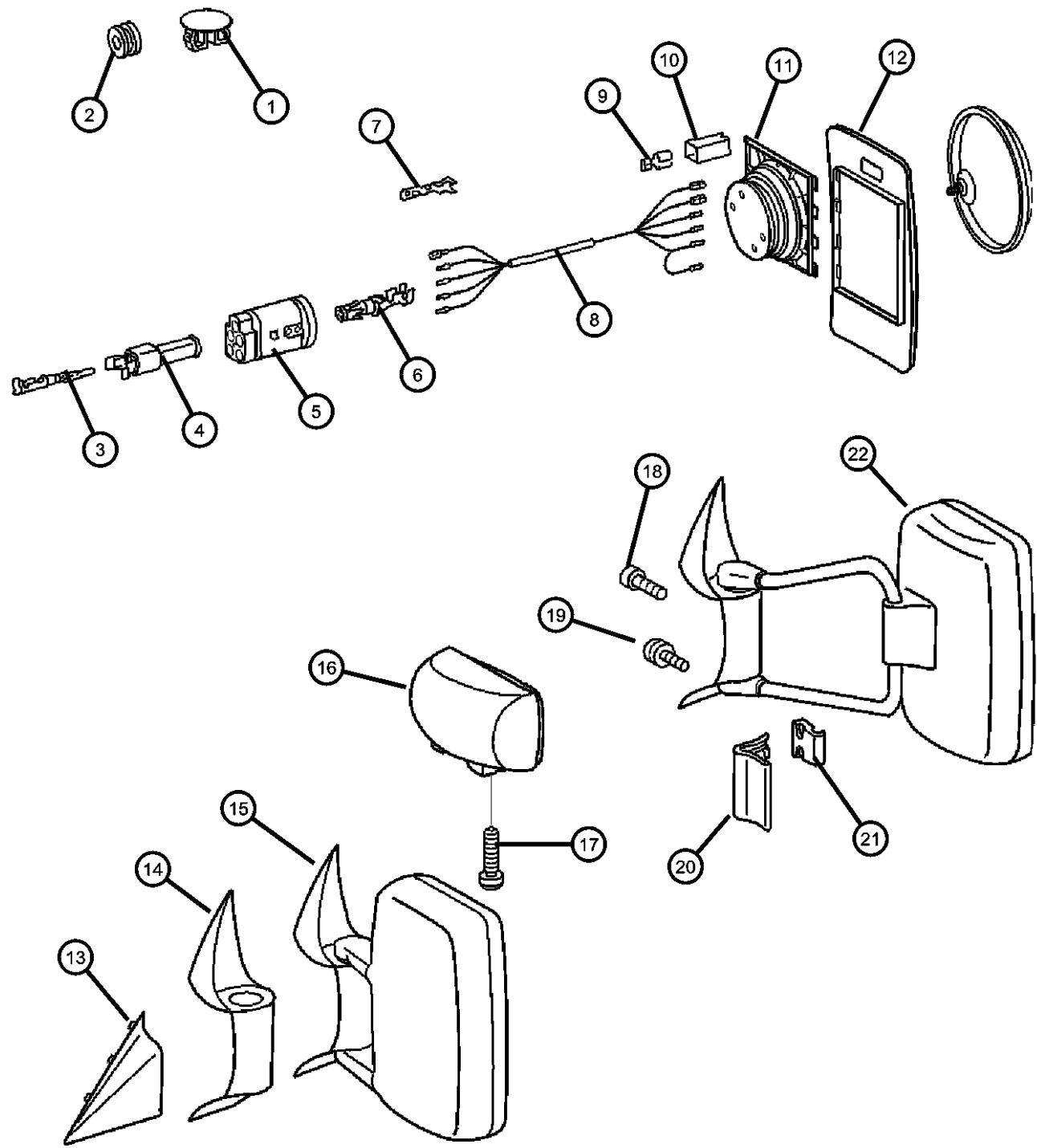
1									PLUG
	05104032AA	1	2, 6	L	01, 02, 06				
		1	2, 6	L	11, 12, 14, 15, 16				
		1	2, 6	L	51, 52, 54, 55, 56				
		1	3, 7	L	02, 06				
2									GROMMET
	05125929AA	1	2, 6	L	01, 02, 06				
		1	2, 6	L	11, 12, 14, 15, 16				
		1	3, 7	L	02, 06				
		1	3, 7	L	12, 15, 16				
3									PLUG
	05104032AA	1	2, 6	L	01, 02, 06				
		1	2, 6	L	11, 12, 14, 15, 16				
		1	2, 6	L	51, 52, 54, 55, 56				
		1	3, 7	L	02, 06				
		1	3, 7	L	12, 15, 16				
4									CONNECTOR
	05120744AA	1	3, 7	L	02, 06				
		1	3, 7	L	12, 15, 16				
		1	2, 6	L	01, 02, 06				
		1	2, 6	L	11, 12, 14, 15, 16				
		1	2, 6	L	51, 54, 55, 56, 52				
5									PLUG

SPRINTER (VA)

SERIES	LINE	BODY	ENGINE	TRANSMISSION
L = LOWLINE	3 = HD DODGE 2WD 8 = HD DODGE 4WD 6 = Lt. Duty DODGE 4WD 2 = Med. Duty DODGE 2WD 7 = Med. Duty DODGE 4WD 4 = TRUCK	01 = CHASSIS FORWARD CONTROL W.B.1 02 = CAB CHASSIS WHEEL BASE 2 06 = CAB CHASSIS WHEEL BASE 6 11 = VAN WHEEL BASE 1 12 = VAN WHEEL BASE 2 51 = WAGON WHEEL BASE 1 52 = WAGON WHEEL BASE 2 14 = VAN WHEEL BASE 4 15 = VAN WHEEL BASE 5 54 = WAGON WHEEL BASE 4 55 = WAGON WHEEL BASE 5 56 = WAGON WHEEL BASE 6 16 = VAN WHEEL BASE 6	EX8 = 2.7L I5 Turbo Diesel Engine EX9 = 2.7L I5 Mercedes-Benz TD Engine	DGJ = 5-Speed Automatic MB Transmission DGZ = 4-Spd. Automatic MT643 Transmission

AR = use ase required - = Non illustrated part

Mirrors, Exterior
Figure DVA-520



ITEM	PART NUMBER	QTY	LINE	SERIES	BODY	ENGINE	TRANS	TRIM	DESCRIPTION
	05133508AA	1	2, 6	L	01, 02, 06				
		1	2, 6	L	11, 12, 14, 15, 16				
		1	2, 6	L	51, 52, 54, 55, 56				
		1	3, 7	L	02, 06				
		1	3, 7	L	12, 15, 16				
6	05133509AA	5	2, 6	L	01, 02, 06				TERMINAL
		5	2, 6	L	11, 12, 14, 15, 16				
		5	2, 6	L	51, 52, 54, 55, 56				
		5	3, 7	L	02, 06				
		5	3, 7	L	12, 15, 16				
7	05133377AA	1	2, 6	L	51, 52, 54, 55, 56				TERMINAL, Male
		1	7, 3	L	02, 06				
		1	2, 6	L	01, 06, 02				
		1	2, 6	L	11, 12, 14, 15, 16				
		1	3, 7	L	12, 15, 16				
8	05133503AA	1	2, 6	L	01, 02, 06				WIRING, Mirror Jumper
		1	2, 6	L	11, 12, 14, 15, 16				
		1	2, 6	L	51, 52, 54, 55, 56				
9	05133367AA	1	2, 6	L	01, 02, 06				PLUG

SPRINTER (VA)

SERIES

L = LOWLINE

LINE

3 = HD DODGE 2WD
 8 = HD DODGE 4WD
 6 = Lt. Duty DODGE 4WD
 2 = Med. Duty DODGE 2WD
 7 = Med. Duty DODGE 4WD
 4 = TRUCK

BODY

01 = CHASSIS FORWARD CONTROL W.B.1
 02 = CAB CHASSIS WHEEL BASE 2
 06 = CAB CHASSIS WHEEL BASE 6
 11 = VAN WHEEL BASE 1
 12 = VAN WHEEL BASE 2
 51 = WAGON WHEEL BASE 1
 52 = WAGON WHEEL BASE 2
 14 = VAN WHEEL BASE 4
 15 = VAN WHEEL BASE 5
 54 = WAGON WHEEL BASE 4
 55 = WAGON WHEEL BASE 5
 56 = WAGON WHEEL BASE 6
 16 = VAN WHEEL BASE 6

ENGINE

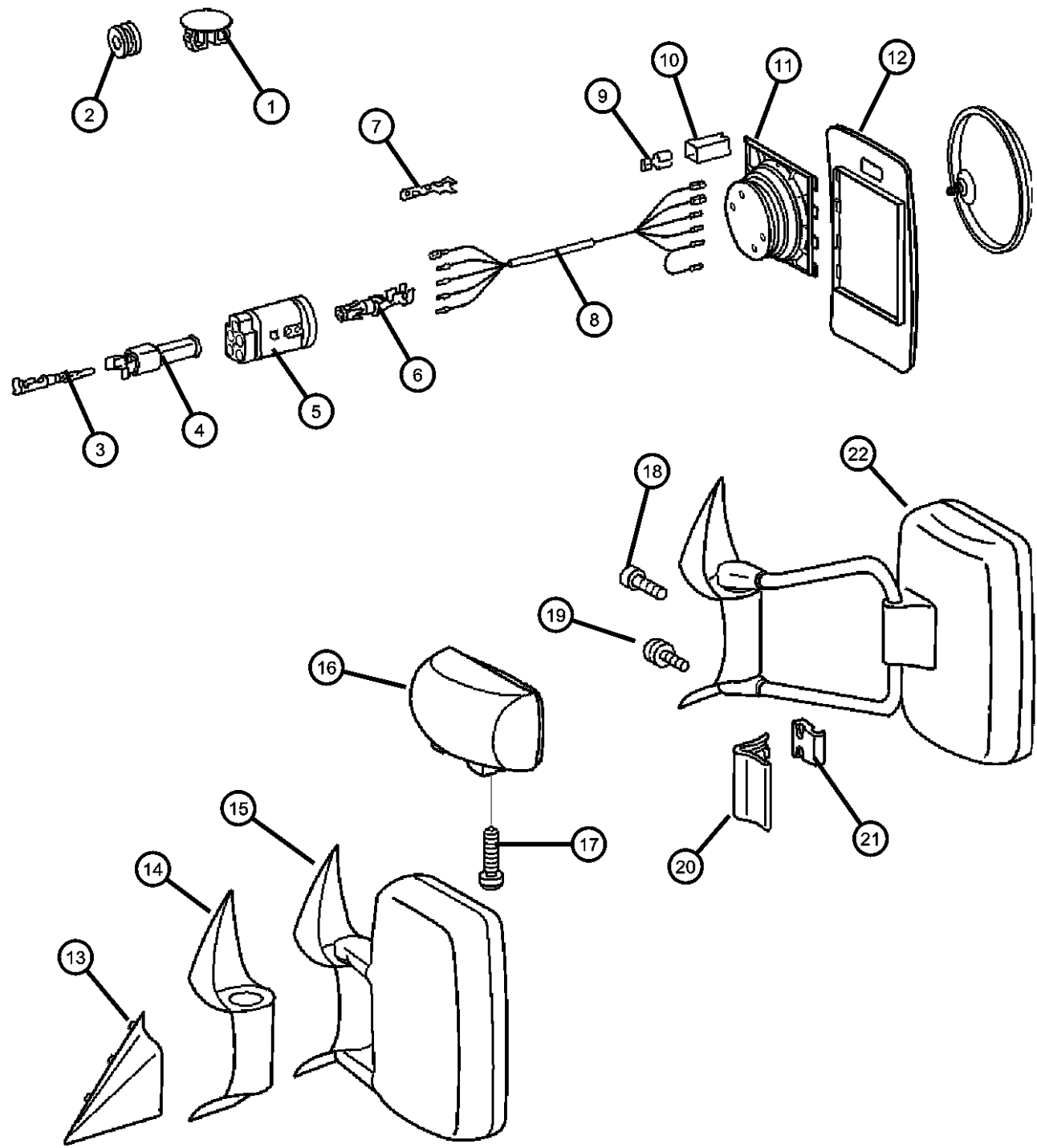
EX8 = 2.7L I5 Turbo Diesel Engine
 EX9 = 2.7L I5 Mercedes-Benz TD Engine

TRANSMISSION

DGJ = 5-Speed Automatic MB Transmission
 DGZ = 4-Spd. Automatic MT643 Transmission

AR = use ase required - = Non illustrated part

Mirrors, Exterior
Figure DVA-520



ITEM	PART NUMBER	QTY	LINE	SERIES	BODY	ENGINE	TRANS	TRIM	DESCRIPTION
		1	2, 6	L	11, 12, 14, 15, 16				
		1	2, 6	L	51, 52, 54, 55, 56				
		1	3, 7	L	02, 06				
		1	3, 7	L	12, 15, 16				
10	05133504AA	1	3, 7	L	12, 15, 16				TERMINAL
		1	2, 6	L	01, 02, 06				
		1	2, 6	L	11, 12, 14, 15, 16				
		1	2, 6	L	52, 54, 55, 56, 51				
		1	3, 7	L	02, 06				
11	05133505AA	1	2, 6	L	01, 02, 06				MOTOR, Electric
		1	2, 6	L	11, 12, 14, 15, 16				
		1	2, 6	L	51, 52, 54, 55, 56				
		1	3, 7	L	02, 06				
		1	3, 7	L	12, 15, 16				
12	05103758AA	1	2, 6	L	51, 52, 54, 55, 56				GLASS, Mirror Replacement Left
		1	3, 7	L	02, 06				Left
	05103757AA	1	3, 7	L	02, 06				Right
		1	2, 6	L	01, 02, 06				Left
		1	2, 6	L	11, 12, 14, 15, 16				Left
		1	3, 7	L	12, 15, 16				Left
13									COVER, Mirror Flag

SPRINTER (VA)

SERIES

L = LOWLINE

LINE

3 = HD DODGE 2WD
8 = HD DODGE 4WD
6 = Lt. Duty DODGE 4WD
2 = Med. Duty DODGE 2WD
7 = Med. Duty DODGE 4WD
4 = TRUCK

BODY

01 = CHASSIS FORWARD CONTROL W.B.1
02 = CAB CHASSIS WHEEL BASE 2
06 = CAB CHASSIS WHEEL BASE 6
11 = VAN WHEEL BASE 1
12 = VAN WHEEL BASE 2
51 = WAGON WHEEL BASE 1
52 = WAGON WHEEL BASE 2
14 = VAN WHEEL BASE 4
15 = VAN WHEEL BASE 5
54 = WAGON WHEEL BASE 4
55 = WAGON WHEEL BASE 5
56 = WAGON WHEEL BASE 6
16 = VAN WHEEL BASE 6

ENGINE

EX8 = 2.7L I5 Turbo Diesel Engine
EX9 = 2.7L I5 Mercedes-Benz TD Engine

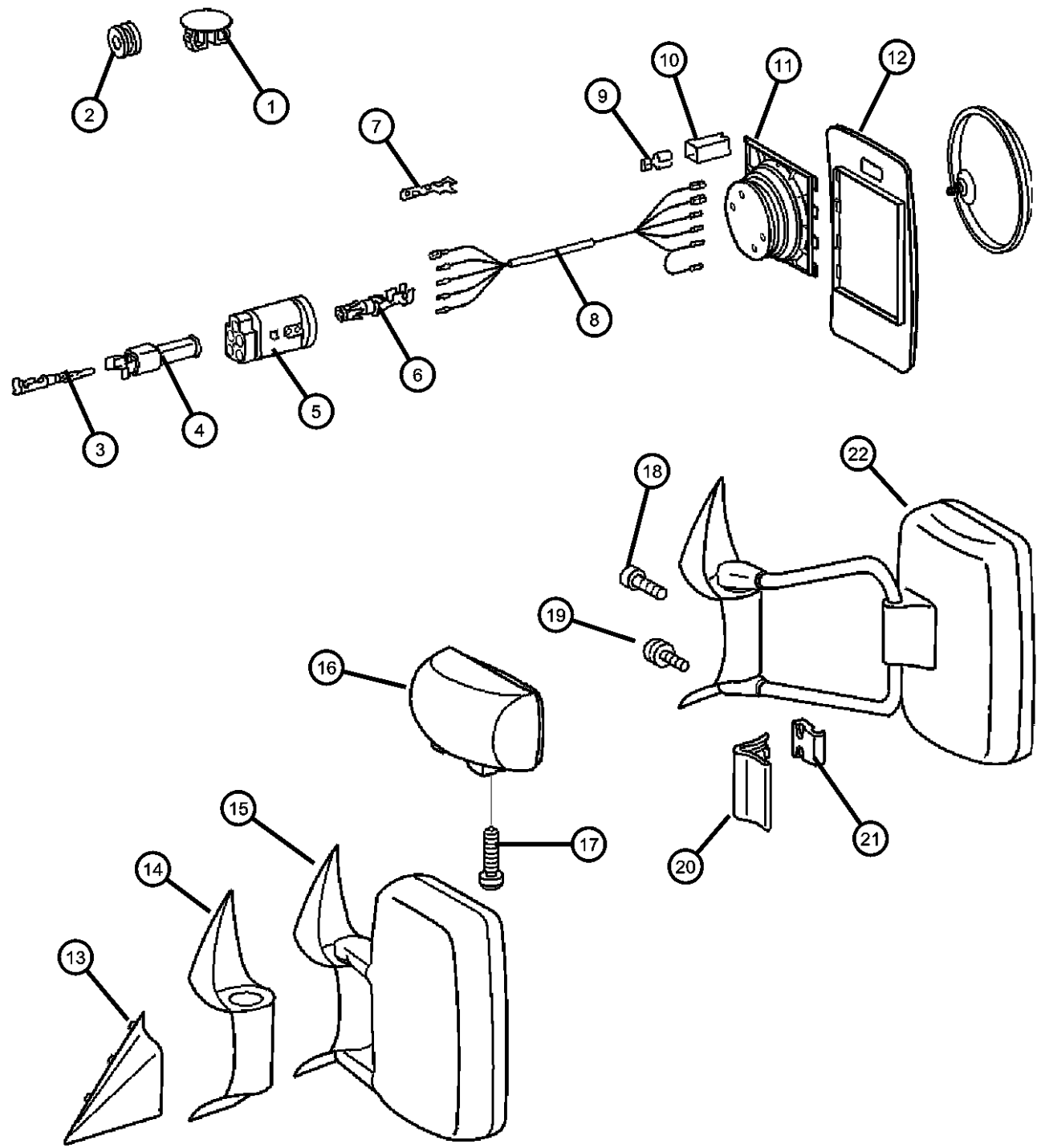
TRANSMISSION

DGJ = 5-Speed Automatic MB Transmission
DGZ = 4-Spd. Automatic MT643 Transmission

AR = use ase required - = Non illustrated part

2006 VA

Mirrors, Exterior
Figure DVA-520



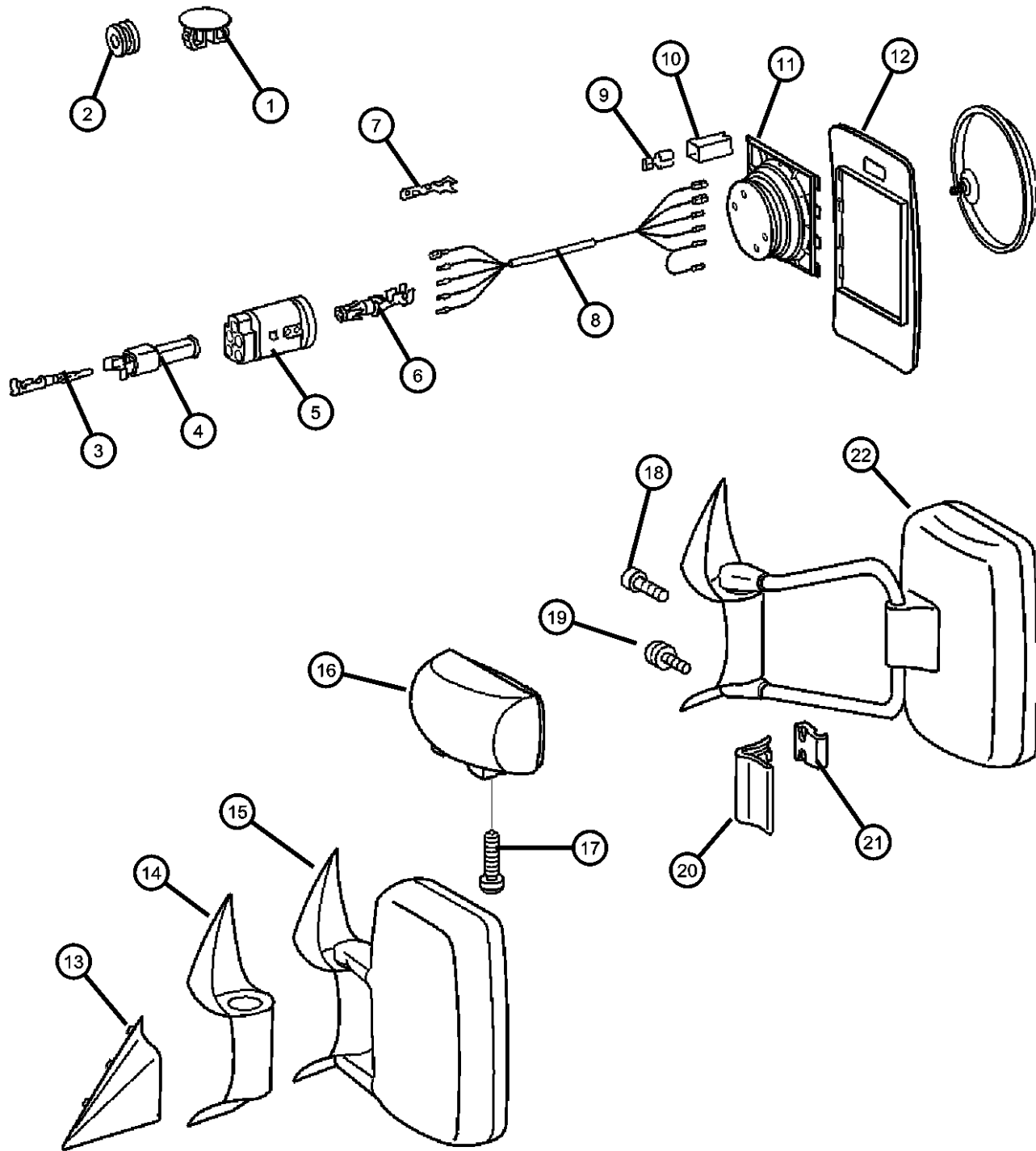
ITEM	PART NUMBER	QTY	LINE	SERIES	BODY	ENGINE	TRANS	TRIM	DESCRIPTION
	05104444AA	1	2, 6	L	01, 02, 06				Left
		1	2, 6	L	11, 12, 14, 15, 16				Left
		1	2, 6	L	52, 54, 55, 56, 51				Left
		1	3, 7	L	02, 06				Left
		1	3, 7	L	12, 15, 16				Left
	05104445AA	1	2, 6	L	01, 02, 06				Right
		1	2, 6	L	11, 12, 14, 15, 16				Right
		1	2, 6	L	51, 52, 54, 55, 56				Right
		1	3, 7	L	02, 06				Right
		1	3, 7	L	12, 15, 16				Right
14									COVER, Mirror Flag
	05104446AA	1	2, 6	L	01, 02, 06				Left
		1	2, 6	L	11, 12, 14, 15, 16				Left
		1	2, 6	L	51, 52, 54, 55, 56				Left
		1	3, 7	L	02, 06				Left
		1	3, 7	L	12, 15, 16				Left
	05133499AA	1	2, 6	L	01, 02, 06				Right
		1	2, 6	L	11, 12, 14, 15, 16				Right
		1	2, 6	L	51, 52, 55, 56, 54				Right
		1	3, 7	L	02, 06				Right
		1	3, 7	L	12, 15, 16				Right
15									MIRROR, Outside Rearview
	05104440AA	1	2, 6	L	51, 52, 54, 55, 56				Left

SPRINTER (VA)

SERIES	LINE	BODY	ENGINE	TRANSMISSION
L = LOWLINE	3 = HD DODGE 2WD 8 = HD DODGE 4WD 6 = Lt. Duty DODGE 4WD 2 = Med. Duty DODGE 2WD 7 = Med. Duty DODGE 4WD 4 = TRUCK	01 = CHASSIS FORWARD CONTROL W.B.1 02 = CAB CHASSIS WHEEL BASE 2 06 = CAB CHASSIS WHEEL BASE 6 11 = VAN WHEEL BASE 1 12 = VAN WHEEL BASE 2 51 = WAGON WHEEL BASE 1 52 = WAGON WHEEL BASE 2 14 = VAN WHEEL BASE 4 15 = VAN WHEEL BASE 5 54 = WAGON WHEEL BASE 4 55 = WAGON WHEEL BASE 5 56 = WAGON WHEEL BASE 6 16 = VAN WHEEL BASE 6	EX8 = 2.7L I5 Turbo Diesel Engine EX9 = 2.7L I5 Mercedes-Benz TD Engine	DGJ = 5-Speed Automatic MB Transmission DGZ = 4-Spd. Automatic MT643 Transmission

AR = use ase required - = Non illustrated part

Mirrors, Exterior
Figure DVA-520



ITEM	PART NUMBER	QTY	LINE	SERIES	BODY	ENGINE	TRANS	TRIM	DESCRIPTION
		1	3, 7	L	02, 06				Left
		1	3, 7	L	12, 15, 16				Left
		1	2, 6	L	01, 02, 06				Left
		1	2, 6	L	11, 12, 14, 15, 16				Left
	05104441AA	1	2, 6	L	11, 12, 14, 15, 16				Right
		1	2, 6	L	51, 52, 54, 55, 56				Right
	05104443AA	1	2, 6	L	01, 02, 06				Right
		1	2, 6	L	11, 12, 14, 15, 16				Power heated mirror, Right
		1	3, 7	L	02, 06				Right
		1	3, 7	L	12, 15, 16				Right
	05104442AA	1	2, 6	L	01, 02, 06				Power heated mirror, Left
		1	6, 2	L	11, 12, 14, 15, 16				Power heated mirror, Left
		1	2, 6	L	51, 52, 54, 55, 56				Power heated mirror, Left
		1	3, 7	L	02, 06				Power heated mirror, Left
		1	2, 6	L	51, 52, 54, 55, 56				Power heated mirror, Right
	05124233AA	1	3, 7	L	02, 06				Power heated mirror, Right
		1	2, 6	L	01, 02, 06				With [XZD], Left
	05124235AA	1	3, 7	L	02, 06				With [XZD], Left
		1	2, 6	L	01, 02, 06				With [XZD], Right
		1	3, 7	L	02, 06				With [XZD], Right
16									MIRROR, Outside Rearview
	05103592AA	1	2, 6	L	01, 02, 06				Left
		1	2, 6	L	11, 12, 14, 15, 16				Left

SPRINTER (VA)

SERIES

L = LOWLINE

LINE

3 = HD DODGE 2WD
8 = HD DODGE 4WD
6 = Lt. Duty DODGE 4WD
2 = Med. Duty DODGE 2WD
7 = Med. Duty DODGE 4WD
4 = TRUCK

BODY

01 = CHASSIS FORWARD CONTROL W.B.1
02 = CAB CHASSIS WHEEL BASE 2
06 = CAB CHASSIS WHEEL BASE 6
11 = VAN WHEEL BASE 1
12 = VAN WHEEL BASE 2
51 = WAGON WHEEL BASE 1
52 = WAGON WHEEL BASE 2
14 = VAN WHEEL BASE 4
15 = VAN WHEEL BASE 5
54 = WAGON WHEEL BASE 4
55 = WAGON WHEEL BASE 5
56 = WAGON WHEEL BASE 6
16 = VAN WHEEL BASE 6

ENGINE

EX8 = 2.7L I5 Turbo Diesel Engine
EX9 = 2.7L I5 Mercedes-Benz TD Engine

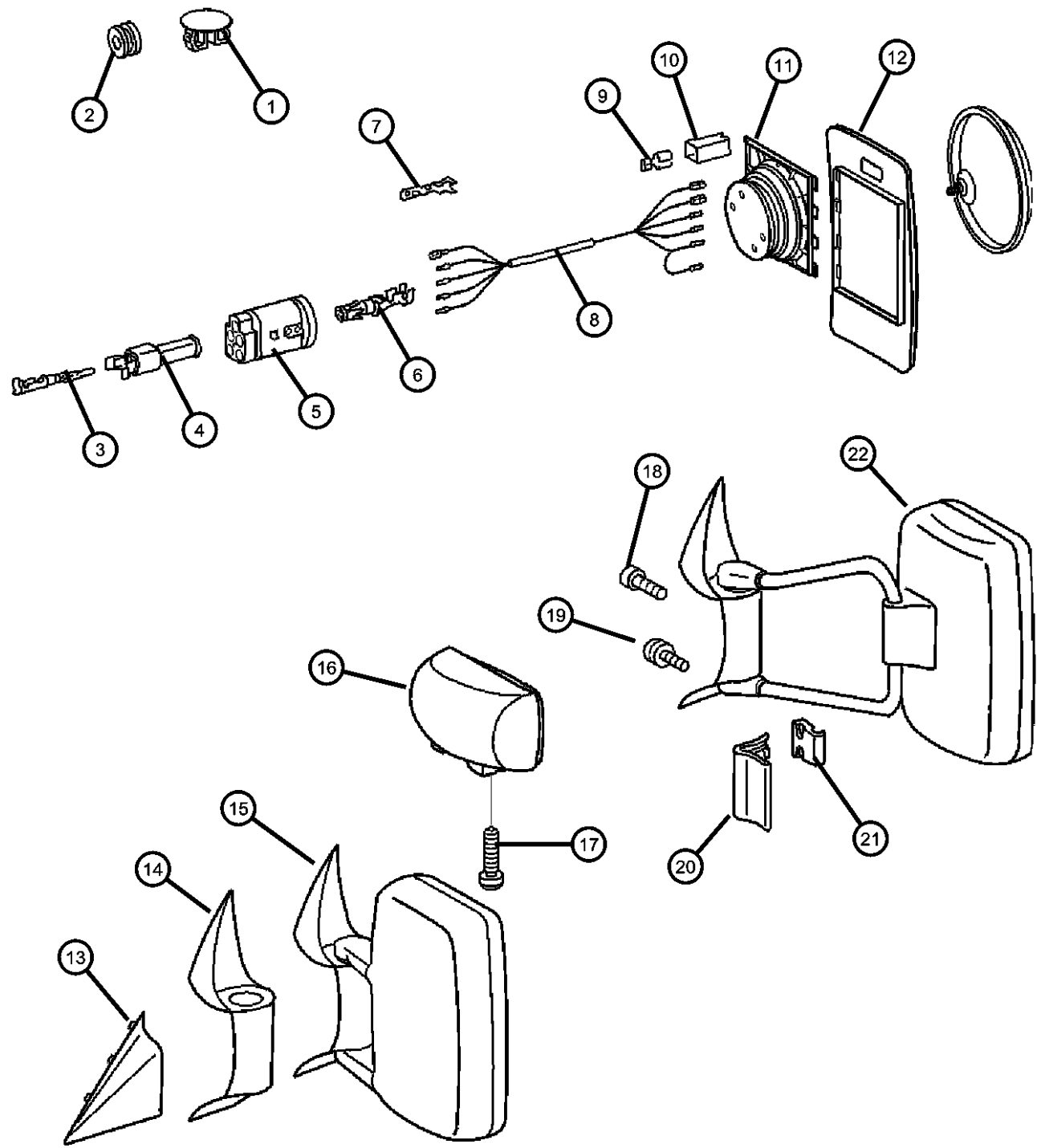
TRANSMISSION

DGJ = 5-Speed Automatic MB Transmission
DGZ = 4-Spd. Automatic MT643 Transmission

AR = use ase required - = Non illustrated part

2006 VA

Mirrors, Exterior
Figure DVA-520



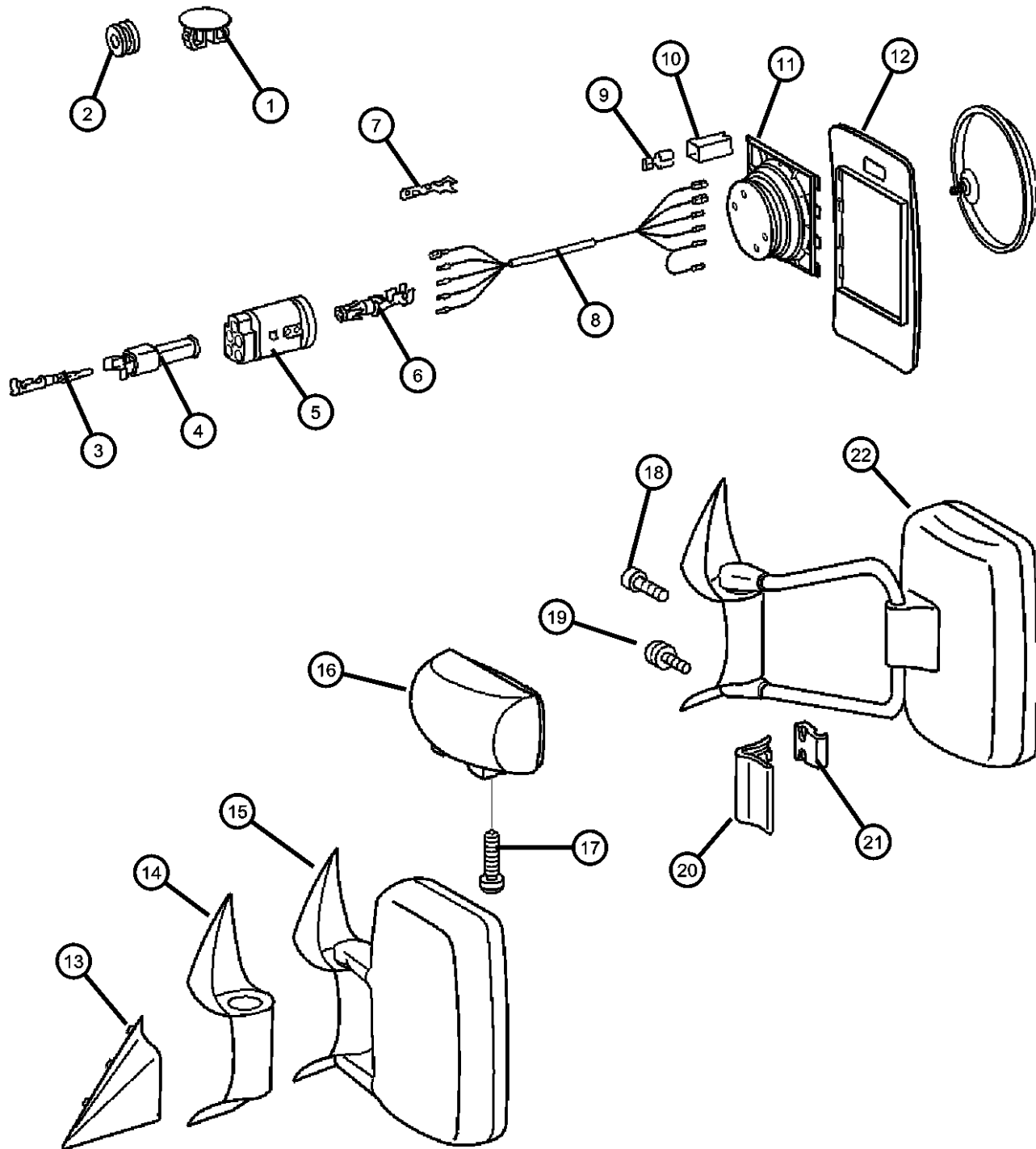
ITEM	PART NUMBER	QTY	LINE	SERIES	BODY	ENGINE	TRANS	TRIM	DESCRIPTION
		1	2, 6	L	51, 52, 54, 55, 56				Left
		1	3, 7	L	02, 06				Left
		1	3, 7	L	12, 15, 16				Left
	05103593AA	1	2, 6	L	01, 02, 06				Right
		1	2, 6	L	11, 12, 14, 15, 16				Right
		1	2, 6	L	51, 52, 55, 56, 54				Right
		1	3, 7	L	02, 06				Right
		1	3, 7	L	12, 15, 16				Right
17									SCREW
	05133507AA	1	3, 7	L	12, 15, 16				
		2	2, 6	L	01, 02, 06				
		2	2, 6	L	11, 12, 14, 15, 16				
		2	2, 6	L	51, 52, 54, 55, 56				
		1	3, 7	L	02, 06				
18									BOLT, Torx
	05125420AA	1	2, 6	L	01, 02, 06				
		1	2, 6	L	11, 12, 14, 15, 16				
		1	2, 6	L	51, 52, 54, 55, 56				
		1	3, 7	L	02, 06				
		1	3, 7	L	12, 15, 16				
19									SCREW
	05104610AA	2	2, 6	L	01, 02, 06				
		2	2, 6	L	11, 12, 14, 15, 16				

SPRINTER (VA)

SERIES	LINE	BODY	ENGINE	TRANSMISSION
L = LOWLINE	3 = HD DODGE 2WD 8 = HD DODGE 4WD 6 = Lt. Duty DODGE 4WD 2 = Med. Duty DODGE 2WD 7 = Med. Duty DODGE 4WD 4 = TRUCK	01 = CHASSIS FORWARD CONTROL W.B.1 02 = CAB CHASSIS WHEEL BASE 2 06 = CAB CHASSIS WHEEL BASE 6 11 = VAN WHEEL BASE 1 12 = VAN WHEEL BASE 2 51 = WAGON WHEEL BASE 1 52 = WAGON WHEEL BASE 2 14 = VAN WHEEL BASE 4 15 = VAN WHEEL BASE 5 54 = WAGON WHEEL BASE 4 55 = WAGON WHEEL BASE 5 56 = WAGON WHEEL BASE 6 16 = VAN WHEEL BASE 6	EX8 = 2.7L I5 Turbo Diesel Engine EX9 = 2.7L I5 Mercedes-Benz TD Engine	DGJ = 5-Speed Automatic MB Transmission DGZ = 4-Spd. Automatic MT643 Transmission

AR = use ase required - = Non illustrated part

Mirrors, Exterior
Figure DVA-520



ITEM	PART NUMBER	QTY	LINE	SERIES	BODY	ENGINE	TRANS	TRIM	DESCRIPTION
		2	2, 6	L	51, 52, 54, 55, 56				
		2	3, 7	L	02, 06				
		2	3, 7	L	12, 15, 16				
20	05103675AA	1	2, 6	L	51, 52, 54, 55, 56				COVER, Mirror Flag
		1	3, 7	L	02, 06				
		1	2, 6	L	01, 02, 06				
		1	2, 6	L	11, 12, 14, 15, 16				
		1	3, 7	L	12, 15, 16				
21	05133500AA	2	2, 6	L	01, 02, 06				CLAMP
		2	2, 6	L	11, 12, 14, 15, 16				
		2	2, 6	L	51, 52, 54, 55, 56				
		2	3, 7	L	02, 06				
		2	3, 7	L	12, 15, 16				
22	05103594AA	1	2, 6	L	01, 02, 06				MIRROR, Outside Rearview
		1	3, 7	L	02, 06				[XZD+4XS] Or [XZD+4XS], Left
	05103595AA	1	2, 6	L	01, 02, 06				[XZD+4XS] Or [XZD+4XS], Left
		1	3, 7	L	02, 06				[XZD+4XS] Or [XZD+4XS], Right
	05124233AA	1	2, 6	L	01, 02, 06				[XZD+4XS] Or [XZD+4XS], Right
		1	3, 7	L	02, 06				[GTB+XZD+4XS] Or [GTB+XZD+4XS], Left
		1	3, 7	L	02, 06				[GTB+XZD+4XS] Or [GTB+XZD+4XS], Left
	05124235AA	1	2, 6	L	01, 02, 06				[GTB+XZD+4XS] Or [GTB+XZD+4XS], Right

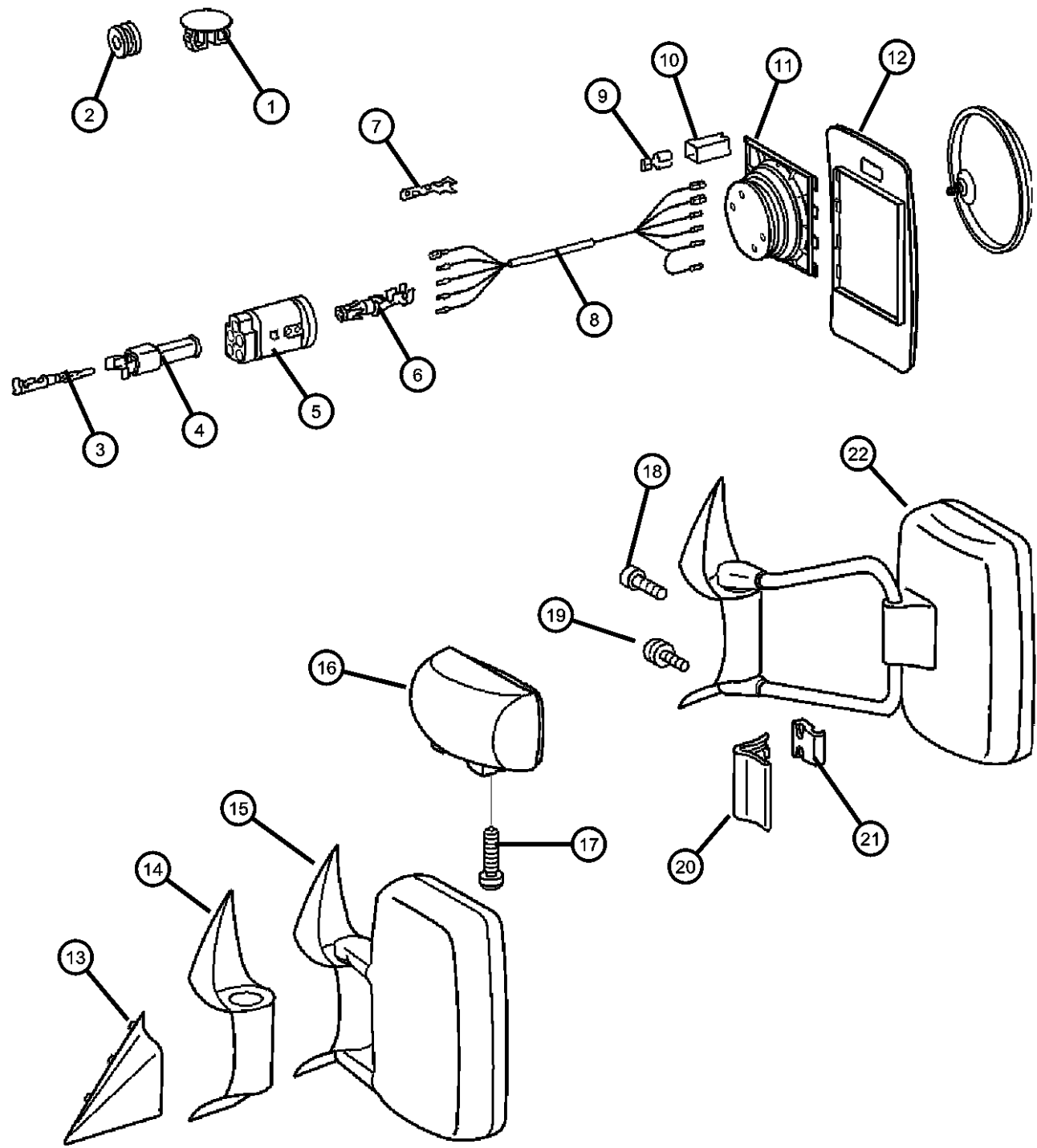
SPRINTER (VA)

SERIES	LINE	BODY	ENGINE	TRANSMISSION
L = LOWLINE	3 = HD DODGE 2WD 8 = HD DODGE 4WD 6 = Lt. Duty DODGE 4WD 2 = Med. Duty DODGE 2WD 7 = Med. Duty DODGE 4WD 4 = TRUCK	01 = CHASSIS FORWARD CONTROL W.B.1 02 = CAB CHASSIS WHEEL BASE 2 06 = CAB CHASSIS WHEEL BASE 6 11 = VAN WHEEL BASE 1 12 = VAN WHEEL BASE 2 51 = WAGON WHEEL BASE 1 52 = WAGON WHEEL BASE 2 14 = VAN WHEEL BASE 4 15 = VAN WHEEL BASE 5 54 = WAGON WHEEL BASE 4 55 = WAGON WHEEL BASE 5 56 = WAGON WHEEL BASE 6 16 = VAN WHEEL BASE 6	EX8 = 2.7L I5 Turbo Diesel Engine EX9 = 2.7L I5 Mercedes-Benz TD Engine	DGJ = 5-Speed Automatic MB Transmission DGZ = 4-Spd. Automatic MT643 Transmission

AR = use ase required - = Non illustrated part

2006 VA

Mirrors, Exterior
Figure DVA-520



ITEM	PART NUMBER	QTY	LINE	SERIES	BODY	ENGINE	TRANS	TRIM	DESCRIPTION
		1	3, 7	L	02, 06				[GTB+XZD+4XS] Or [GTB+XZD+4XS], Right
	05124237AA	1	2, 6	L	01, 02, 06				[XZE+4XS] Or [XZE+4XS], Left
		1	3, 7	L	02, 06				[XZE+4XS] Or [XZE+4XS], Left
	05124239AA	1	2, 6	L	01, 02, 06				[XZE+4XS] Or [XZE+4XS], Right
		1	7, 3	L	02, 06				[XZE+4XS] Or [XZE+4XS], Right
	05124241AA	1	2, 6	L	01, 02, 06				[GTB+XZE+4XS] Or [GTB+XZE+4XS], Left
		1	3, 7	L	02, 06				[GTB+XZE+4XS] Or [GTB+XZE+4XS], Left
	05124243AA	1	2, 6	L	01, 02, 06				[GTB+XZE+4XS] Or [GTB+XZE+4XS], Right
		1	3, 7	L	02, 06				[GTB+XZE+4XS] Or [GTB+XZE+4XS], Right
	05124251AA	1	2, 6	L	01, 02, 06				[GTB+XZE+4XS] Or [GTB+XZE+4XS], Right
		1	2, 6	L	11, 12, 14, 15, 16				[LEG+GTB], Left
		1	3, 7	L	12, 15, 16				[LEG+GTB], Left
	05124255AA	1	2, 6	L	01, 02, 06				[LEG+GTB], Right
		1	2, 6	L	11, 12, 14, 15, 16				[LEG+GTB], Right
		1	2, 6	L	51, 52, 54, 55, 56				[LEG+GTB], Right
		1	2, 6	L	51, 52, 54, 55, 56				[LEG+GTB], Left
		1	3, 7	L	02, 06				[LEG+GTB], Left
		1	3, 7	L	02, 06				[LEG+GTB], Right
		1	3, 7	L	12, 15, 16				[LEG+GTB], Right

SPRINTER (VA)

SERIES	LINE	BODY	ENGINE	TRANSMISSION
L = LOWLINE	3 = HD DODGE 2WD 8 = HD DODGE 4WD 6 = Lt. Duty DODGE 4WD 2 = Med. Duty DODGE 2WD 7 = Med. Duty DODGE 4WD 4 = TRUCK	01 = CHASSIS FORWARD CONTROL W.B.1 02 = CAB CHASSIS WHEEL BASE 2 06 = CAB CHASSIS WHEEL BASE 6 11 = VAN WHEEL BASE 1 12 = VAN WHEEL BASE 2 51 = WAGON WHEEL BASE 1 52 = WAGON WHEEL BASE 2 14 = VAN WHEEL BASE 4 15 = VAN WHEEL BASE 5 54 = WAGON WHEEL BASE 4 55 = WAGON WHEEL BASE 5 56 = WAGON WHEEL BASE 6 16 = VAN WHEEL BASE 6	EX8 = 2.7L I5 Turbo Diesel Engine EX9 = 2.7L I5 Mercedes-Benz TD Engine	DGJ = 5-Speed Automatic MB Transmission DGZ = 4-Spd. Automatic MT643 Transmission

AR = use ase required - = Non illustrated part

Group - EVA

Exterior Ornamentation

Group - EVA Exterior Ornamentation

Illustration Title

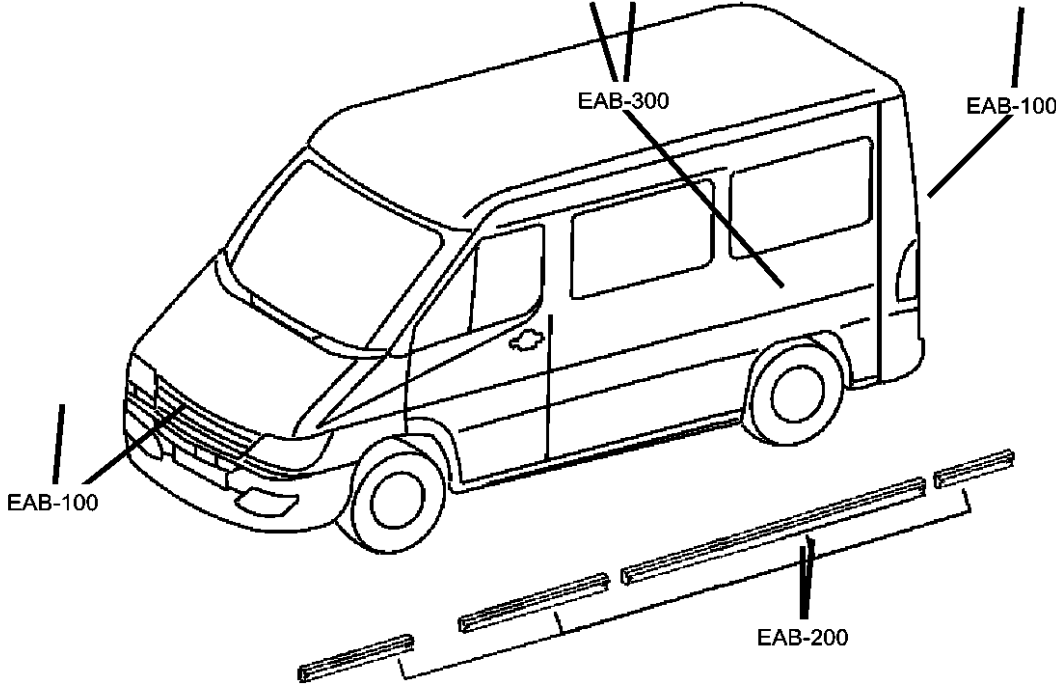
Group-Fig. No.

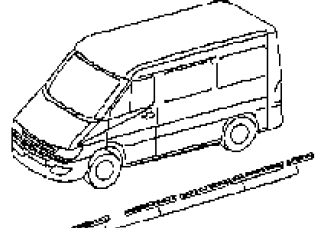
Nameplates

Nameplates and DecalsFig. EVA - 120

Moldings and Ornamentation

Exterior Moldings.....Fig. EVA - 210

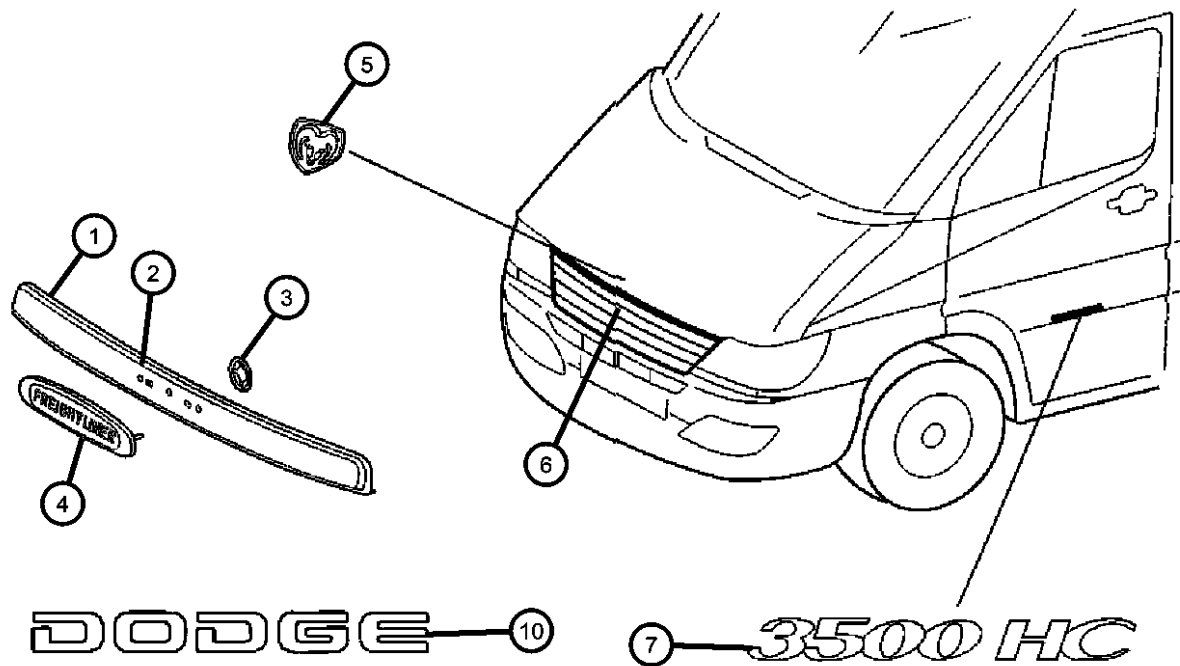


<p>EVA-100 Nameplates</p> <p><i>3500 HC</i></p>	<p>EVA-200 Moldings and Ornamentation</p> 		
--	--	--	--

**Nameplates and Decals
Figure EVA-120**

ITEM	PART NUMBER	QTY	LINE	SERIES	BODY	ENGINE	TRANS	TRIM	DESCRIPTION
------	-------------	-----	------	--------	------	--------	-------	------	-------------

NOTE:For [Dodge Sprinter] Applications Dealer Must Remove The ['Ram'] Portion Of The Name Plate Prior To Instalation On The Vehicle.
[Sprinter] Is Identified As A [2500, 3500] Not [Ram 2500, Ram 3500].
Line Code [2 & 3] Are For [Dodge Sprinter] Only



1									MOLDING, Hood, DODGE
	05114372AA	1	2	L	01, 02, 06				[MG4-58N]
		1	2	L	11, 12, 14, 15, 16				[MG4-58N]
		1	2	L	51, 52, 54, 55, 56				[MG4-58N]
		1	3	L	02, 06				[MG4-58N]
		1	3	L	12, 15, 16				[MG4-58N]
2									MOLDING, Hood, FREIGHTLINER
	05104400AA	1	6	L	01, 02, 06				[MGQ]
		1	6	L	11, 12, 14, 15, 16				[MGQ]
		1	6	L	51, 52, 54, 55, 56				[MGQ]
		1	7	L	02, 06				[MGQ]
		1	7	L	12, 15, 16				[MGQ]
3									RETAINER, Hood Ornament
	05096429AA	2	2, 6	L	01, 02, 06				[MG4-58N=MGQ]
		2	2, 6	L	11, 12, 14, 15, 16				[MG4-58N=MGQ]
		2	2, 6	L	51, 52, 54, 55, 56				[MG4-58N=MGQ]
		2	3, 7	L	02, 06				[MG4-58N=MGQ]
		2	3, 7	L	12, 15, 16				[MG4-58N=MGQ]
4									NAMEPLATE, Hood
	05104449AA	1	6	L	01, 02, 06				[MGQ]
		1	6	L	11, 12, 14, 15, 16				[MGQ]
		1	6	L	51, 52, 54, 55, 56				[MGQ]

SPRINTER (VA)

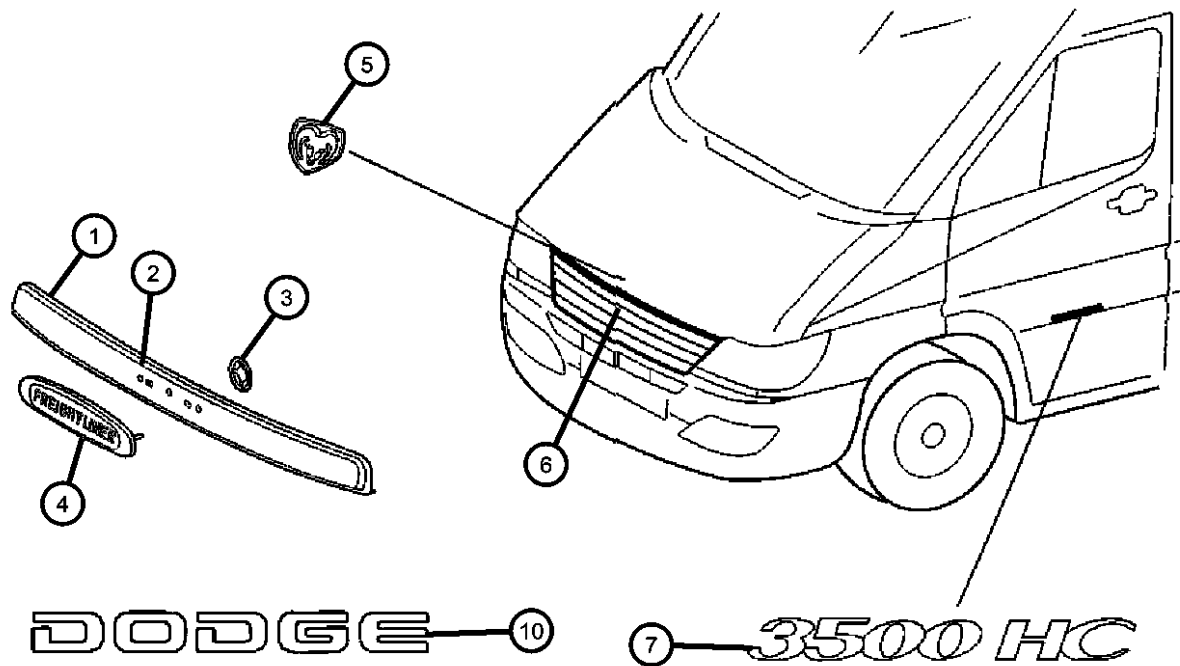
SERIES	LINE	BODY	ENGINE	TRANSMISSION
L = LOWLINE	3 = HD DODGE 2WD 8 = HD DODGE 4WD 6 = Lt. Duty DODGE 4WD 2 = Med. Duty DODGE 2WD 7 = Med. Duty DODGE 4WD 4 = TRUCK	01 = CHASSIS FORWARD CONTROL W.B.1 02 = CAB CHASSIS WHEEL BASE 2 06 = CAB CHASSIS WHEEL BASE 6 11 = VAN WHEEL BASE 1 12 = VAN WHEEL BASE 2 51 = WAGON WHEEL BASE 1 52 = WAGON WHEEL BASE 2 14 = VAN WHEEL BASE 4 15 = VAN WHEEL BASE 5 54 = WAGON WHEEL BASE 4 55 = WAGON WHEEL BASE 5 56 = WAGON WHEEL BASE 6 16 = VAN WHEEL BASE 6	EX8 = 2.7L I5 Turbo Diesel Engine EX9 = 2.7L I5 Mercedes-Benz TD Engine	DGJ = 5-Speed Automatic MB Transmission DGZ = 4-Spd. Automatic MT643 Transmission

AR = use ase required - = Non illustrated part

2006 VA

**Nameplates and Decals
Figure EVA-120**

ITEM	PART NUMBER	QTY	LINE	SERIES	BODY	ENGINE	TRANS	TRIM	DESCRIPTION
		1	7	L	02, 06				[MGQ]
		1	7	L	12, 15, 16				[MGQ]
5									MEDALLION, Ram Head
	52851538AA	1	2	L	01, 02, 06				[MG4-58N]
		1	2	L	11, 12, 14, 15, 16				[MG4-58N]
		1	2	L	51, 52, 54, 55, 56				[MG4-58N]
		1	3	L	02, 06				[MG4-58N]
		1	3	L	12, 15, 16				[MG4-58N]
6		1							GRILLE, Radiator, See Group 7, (NOT SERVICED), NAMEPLATE
7									
	05114369AA	1							[2500] With [MG4]
	05124314AA	2	7	L	15, 16				[3500 SHC] With [MWJ + MGQ]
	05124315AA	2	7	L	12				[3500HC] With [MGQ]
	05124316AA	2	7	L	02, 06				[3500C] With [MGQ]
	05132136AA	2	6	L	14, 15, 16				[2500 SHC] With [MWJ + MGQ]
		2	6	L	54, 55, 56				[2500 SHC] With [MWJ + MGQ]
	05132137AA	2	6	L	11, 12				[2500HC] With [MGQ]
-8									NAMEPLATE, Rear Door
	05104451AA	1	6	L	01, 02, 06				[MGQ]
		1	6	L	11, 12, 14, 15, 16				[MGQ]
		1	6	L	51, 52, 54, 55, 56				[MGQ]
		1	7	L	02, 06				[MGQ]
		1	7	L	12, 15, 16				[MGQ]
-9									NAMEPLATE, Ram 3500
	55077332AB	2	3	L	02, 06				With [MG4] Without [58N]



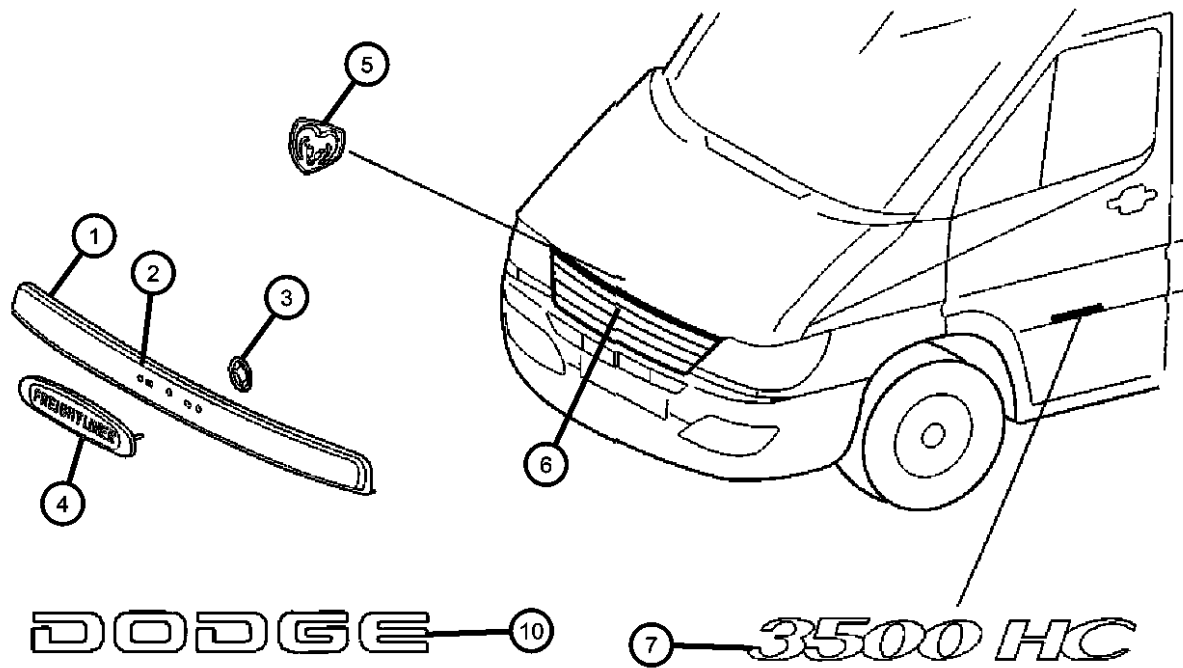
SPRINTER (VA)

SERIES	LINE	BODY	ENGINE	TRANSMISSION
L = LOWLINE	3 = HD DODGE 2WD 8 = HD DODGE 4WD 6 = Lt. Duty DODGE 4WD 2 = Med. Duty DODGE 2WD 7 = Med. Duty DODGE 4WD 4 = TRUCK	01 = CHASSIS FORWARD CONTROL W.B.1 02 = CAB CHASSIS WHEEL BASE 2 06 = CAB CHASSIS WHEEL BASE 6 11 = VAN WHEEL BASE 1 12 = VAN WHEEL BASE 2 51 = WAGON WHEEL BASE 1 52 = WAGON WHEEL BASE 2 14 = VAN WHEEL BASE 4 15 = VAN WHEEL BASE 5 54 = WAGON WHEEL BASE 4 55 = WAGON WHEEL BASE 5 56 = WAGON WHEEL BASE 6 16 = VAN WHEEL BASE 6	EX8 = 2.7L I5 Turbo Diesel Engine EX9 = 2.7L I5 Mercedes-Benz TD Engine	DGJ = 5-Speed Automatic MB Transmission DGZ = 4-Spd. Automatic MT643 Transmission

AR = use ase required - = Non illustrated part

**Nameplates and Decals
Figure EVA-120**

ITEM	PART NUMBER	QTY	LINE	SERIES	BODY	ENGINE	TRANS	TRIM	DESCRIPTION
		2	3	L	12				With [MG4] Without [58N]
		2	3	L	02, 06				With [MG4] Without [AMB]
		2	3	L	12				With [MG4] Without [AMB]
10									NAMEPLATE, Dodge
	55077300AA	1	2	L	01, 02, 06				[MG4-58N]
		1	2	L	11, 12, 14, 15, 16				[MG4-58N]
		1	2	L	51, 52, 54, 55, 56				[MG4-58N]
		1	3	L	02, 06				[MG4-58N]
		1	3	L	12, 15, 16				[MG4-58N]



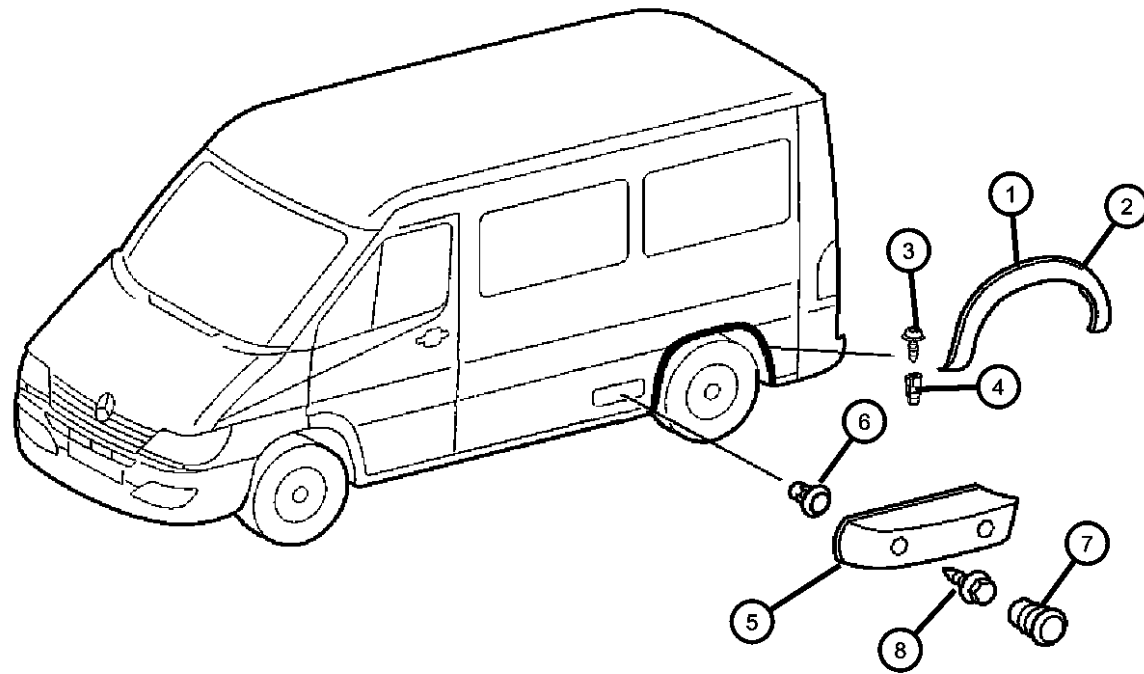
SPRINTER (VA)

SERIES	LINE	BODY	ENGINE	TRANSMISSION
L = LOWLINE	3 = HD DODGE 2WD 8 = HD DODGE 4WD 6 = Lt. Duty DODGE 4WD 2 = Med. Duty DODGE 2WD 7 = Med. Duty DODGE 4WD 4 = TRUCK	01 = CHASSIS FORWARD CONTROL W.B.1 02 = CAB CHASSIS WHEEL BASE 2 06 = CAB CHASSIS WHEEL BASE 6 11 = VAN WHEEL BASE 1 12 = VAN WHEEL BASE 2 51 = WAGON WHEEL BASE 1 52 = WAGON WHEEL BASE 2 14 = VAN WHEEL BASE 4 15 = VAN WHEEL BASE 5 54 = WAGON WHEEL BASE 4 55 = WAGON WHEEL BASE 5 56 = WAGON WHEEL BASE 6 16 = VAN WHEEL BASE 6	EX8 = 2.7L I5 Turbo Diesel Engine EX9 = 2.7L I5 Mercedes-Benz TD Engine	DGJ = 5-Speed Automatic MB Transmission DGZ = 4-Spd. Automatic MT643 Transmission

AR = use ase required - = Non illustrated part

**Exterior Moldings
Figure EVA-210**

ITEM	PART NUMBER	QTY	LINE	SERIES	BODY	ENGINE	TRANS	TRIM	DESCRIPTION
NOTE: Line Code [2 & 3] Are For [Dodge Sprinter] Only Line Code [6 & 7] Are For [Freightliner] Only Sales Codes: [WDG] = 16x6 Steel Wheels									
1	05132499AA	2	2, 6	L	11, 12, 14, 15, 16				MOLDING, Wheel Opening Flare [WDG]
		2	2, 6	L	51, 52, 54, 55, 56				[WDG]
2	05125142AA	2	3, 7	L	12, 15, 16				MOLDING, Wheel Opening Flare SCREW
3	06104614AA	16	2, 6	L	11, 12, 14, 15, 16				
		16	2, 6	L	51, 52, 54, 55, 56				
		16	3, 7	L	12, 15, 16				
4	05098837AB	2	2, 6	L	01, 02, 06				NUT, Plastic Snap-in
		2	2, 6	L	11, 12, 14, 15, 16				
		2	2, 6	L	51, 52, 54, 55, 56				
		2	3, 7	L	02, 06				
		16	3, 7	L	12, 15, 16				
5	05123563AA	1	3, 7	L	12, 15, 16				MOLDING, Quarter Trim Left
	05123564AA	1	3, 7	L	12, 15, 16				Right
6	05125550AA	4	3, 7	L	12, 15, 16				RETAINER
7	05126001AA	4	3, 7	L	12, 15, 16				PLUG, Cover
8	06104614AA	16	2, 6	L	11, 12, 14, 15, 16				SCREW



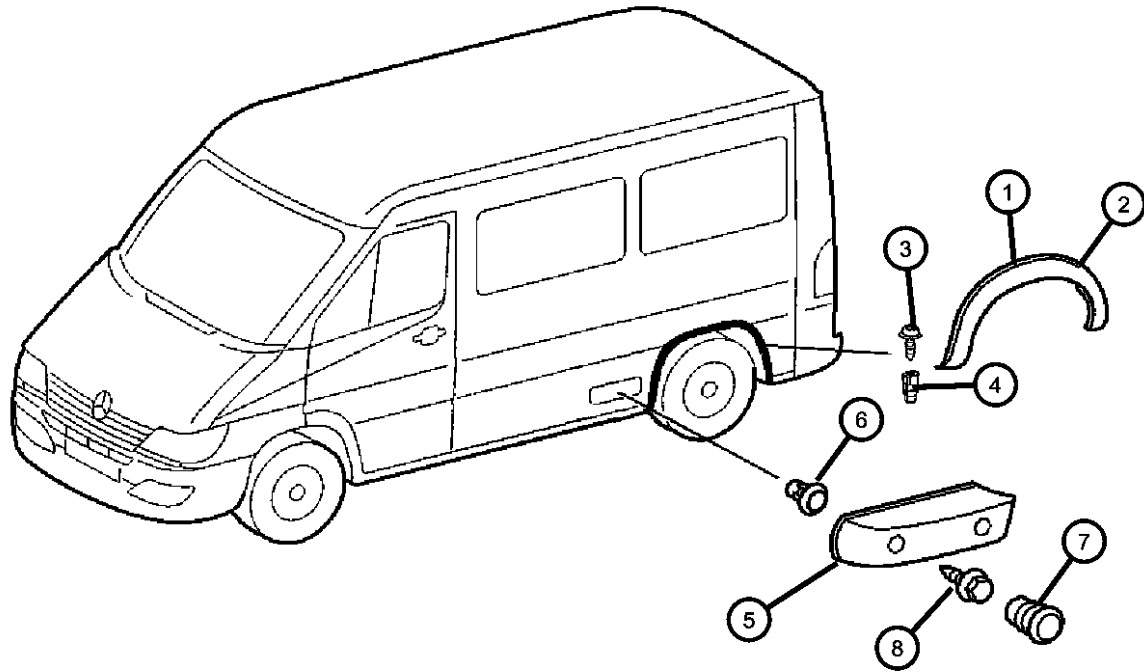
SPRINTER (VA)

SERIES	LINE	BODY	ENGINE	TRANSMISSION
L = LOWLINE	3 = HD DODGE 2WD 8 = HD DODGE 4WD 6 = Lt. Duty DODGE 4WD 2 = Med. Duty DODGE 2WD 7 = Med. Duty DODGE 4WD 4 = TRUCK	01 = CHASSIS FORWARD CONTROL W.B.1 02 = CAB CHASSIS WHEEL BASE 2 06 = CAB CHASSIS WHEEL BASE 6 11 = VAN WHEEL BASE 1 12 = VAN WHEEL BASE 2 51 = WAGON WHEEL BASE 1 52 = WAGON WHEEL BASE 2 14 = VAN WHEEL BASE 4 15 = VAN WHEEL BASE 5 54 = WAGON WHEEL BASE 4 55 = WAGON WHEEL BASE 5 56 = WAGON WHEEL BASE 6 16 = VAN WHEEL BASE 6	EX8 = 2.7L I5 Turbo Diesel Engine EX9 = 2.7L I5 Mercedes-Benz TD Engine	DGJ = 5-Speed Automatic MB Transmission DGZ = 4-Spd. Automatic MT643 Transmission

AR = use ase required - = Non illustrated part

Exterior Moldings
Figure EVA-210

ITEM	PART NUMBER	QTY	LINE	SERIES	BODY	ENGINE	TRANS	TRIM	DESCRIPTION
		16	2, 6	L	51, 52, 54, 55, 56				
		16	3, 7	L	12, 15, 16				
-9	05104639AA	99	2, 6	L	11, 12, 14, 15, 16				WASHER
		99	2, 6	L	51, 52, 54, 55, 56				
		16	3, 7	L	12, 15, 16				



SPRINTER (VA)

SERIES	LINE	BODY	ENGINE	TRANSMISSION
L = LOWLINE	3 = HD DODGE 2WD 8 = HD DODGE 4WD 6 = Lt. Duty DODGE 4WD 2 = Med. Duty DODGE 2WD 7 = Med. Duty DODGE 4WD 4 = TRUCK	01 = CHASSIS FORWARD CONTROL W.B.1 02 = CAB CHASSIS WHEEL BASE 2 06 = CAB CHASSIS WHEEL BASE 6 11 = VAN WHEEL BASE 1 12 = VAN WHEEL BASE 2 51 = WAGON WHEEL BASE 1 52 = WAGON WHEEL BASE 2 14 = VAN WHEEL BASE 4 15 = VAN WHEEL BASE 5 54 = WAGON WHEEL BASE 4 55 = WAGON WHEEL BASE 5 56 = WAGON WHEEL BASE 6 16 = VAN WHEEL BASE 6	EX8 = 2.7L I5 Turbo Diesel Engine EX9 = 2.7L I5 Mercedes-Benz TD Engine	DGJ = 5-Speed Automatic MB Transmission DGZ = 4-Spd. Automatic MT643 Transmission

AR = use ase required - = Non illustrated part

Group - IVA

Interior Trim

Group - IVA Interior Trim

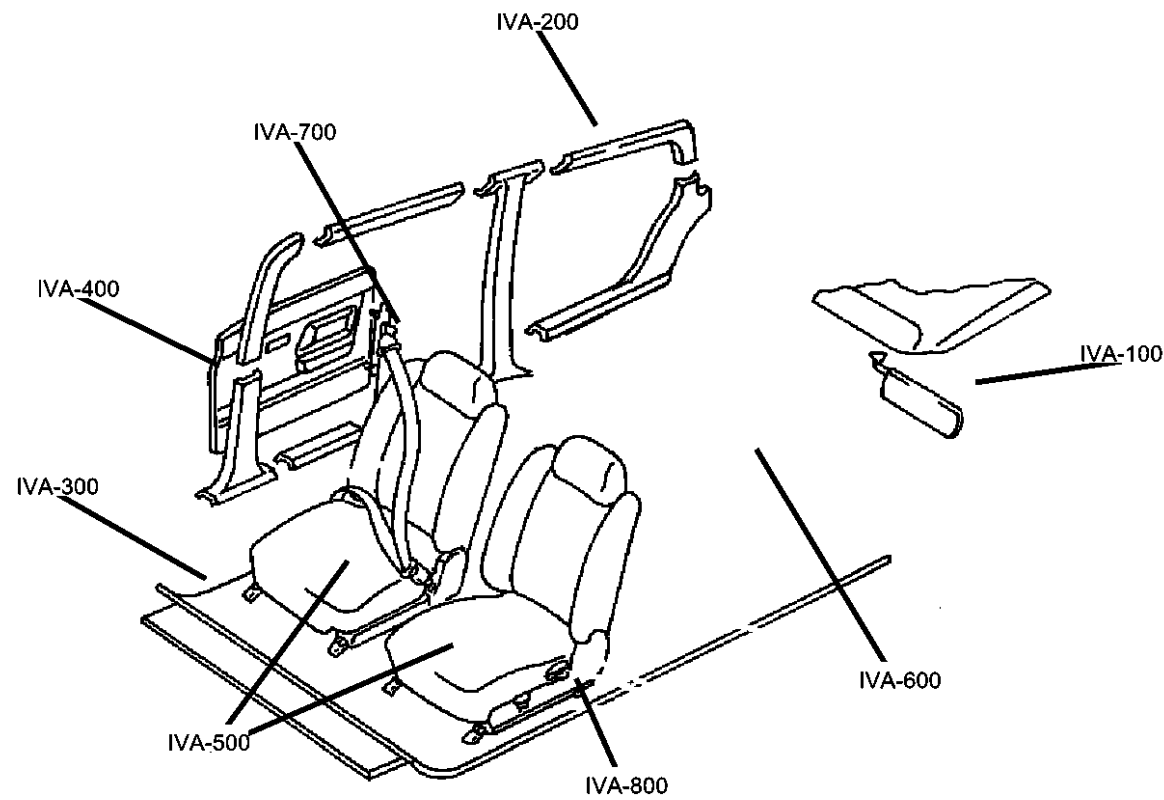


Illustration Title

Group-Fig. No.

Headliner and Visor

Headliner, Low Roof	Fig. IVA - 110
Headliner, High Roof	Fig. IVA - 115
Sunvisors, Grabhandles, Shelf and Attaching Parts	Fig. IVA - 120

Moldings, Scuff Plates

Inner Panels - Fabric	Fig. IVA - 210
Inner Panels - Cab	Fig. IVA - 215
Inner Panels - Plywood	Fig. IVA - 220
Inner Panel, Hard Fiber	Fig. IVA - 221
Inner Panels	Fig. IVA - 225
Inner Paneling Window - Pillar In Cab	Fig. IVA - 230
Cargo Retainers - Without Windows	Fig. IVA - 235
Cargo Retainers - With Windows	Fig. IVA - 240
Rear Pillar Inner Panel	Fig. IVA - 245
Cowl Panel - Silencer	Fig. IVA - 250
Partition Panel	Fig. IVA - 255
Partition Wall and Sliding Door	Fig. IVA - 260

Carpet

Carpet - Floor	Fig. IVA - 310
Floor Lining, Entry Paneling & Footrest	Fig. IVA - 315
Floor - Rubber	Fig. IVA - 320
Floor - Wooden	Fig. IVA - 330
Insulation - Carpet	Fig. IVA - 340
Insulation Floor	Fig. IVA - 350

Door Trim Panels-Front and Sliding

Front Door Trim	Fig. IVA - 410
Sliding Door Trim	Fig. IVA - 420
Rear Dual Door Trim	Fig. IVA - 430

Front Seats and Attaching Parts

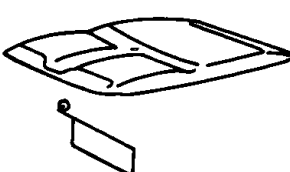
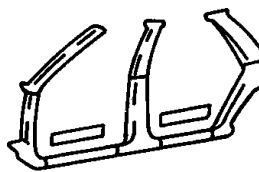
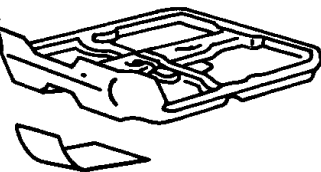
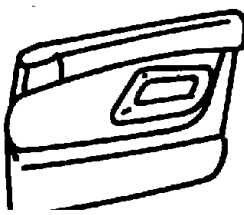


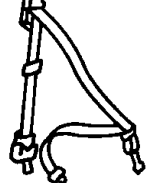
Front Seat - Venice	Fig. IVA - 510
Front Seat, Trim Code [B7], Santos	Fig. IVA - 515
Front Seat - Catano	Fig. IVA - 520
Front Seat - Attaching Parts	Fig. IVA - 525
Front Seat - Attaching Parts - Riser	Fig. IVA - 530
Front Seat - Attaching Parts	Fig. IVA - 535

Rear Seats

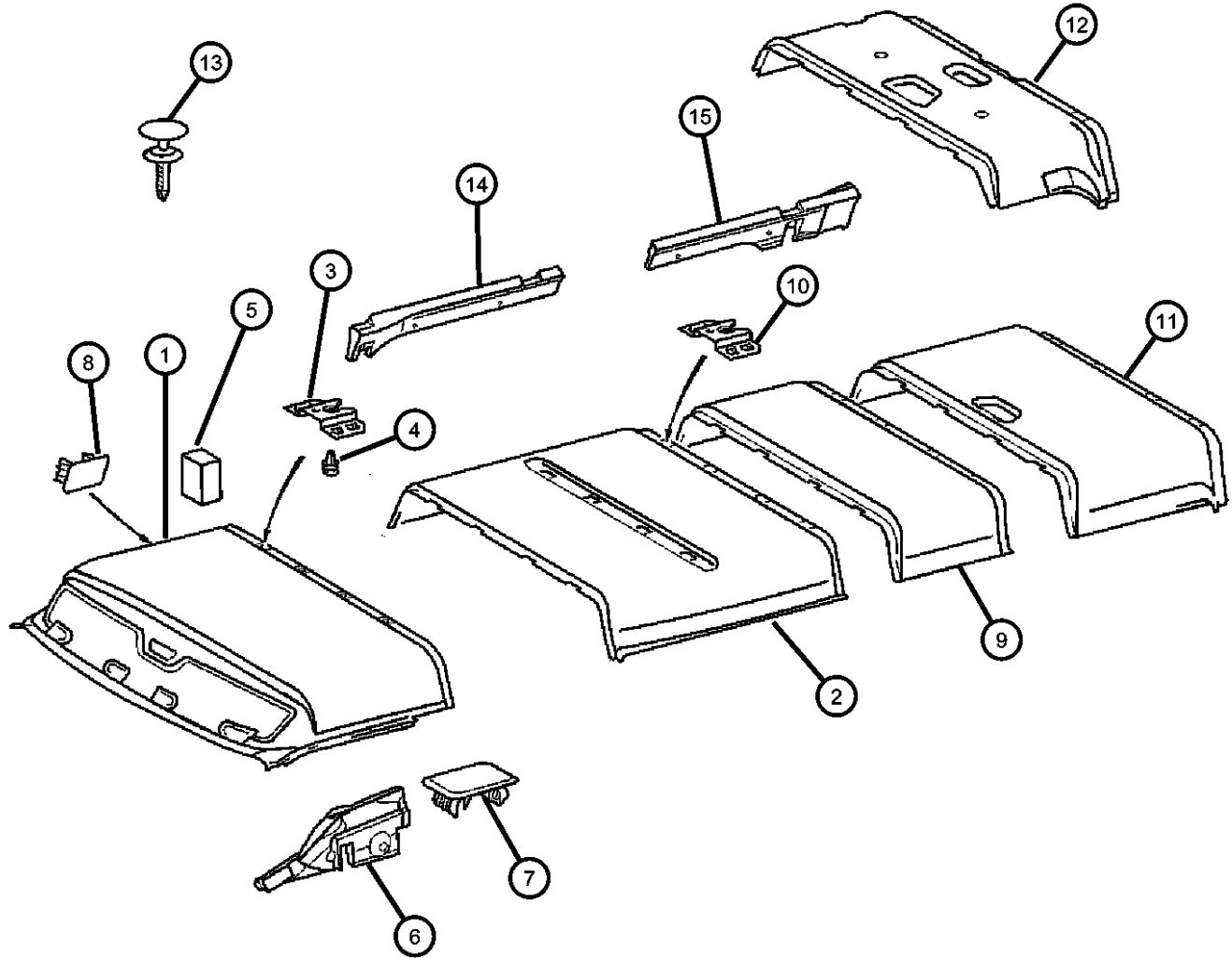
Rear Seat - 2 Passenger	Fig. IVA - 610
Rear Seat - 3 Passenger	Fig. IVA - 615
Attaching Parts - 3rd Passenger Seat	Fig. IVA - 620

Seat Belts-Front and Rear

Seat Belt - Front	Fig. IVA - 710
Seat Belt - Second Row	Fig. IVA - 720

<p>IVA-100 Headliner and Visor</p> 	<p>IVA-200 Moldings, Scuff Plates</p> 	<p>IVA-300 Carpet</p> 	<p>IVA-400 Door Trim Panels-Front and Sliding</p> 
<p>IVA-500 Front Seats and Attaching Parts</p> 	<p>IVA-600 Rear Seats</p> 	<p>IVA-700 Seat Belts-Front and Rear</p> 	

**Headliner, Low Roof
Figure IVA-110**



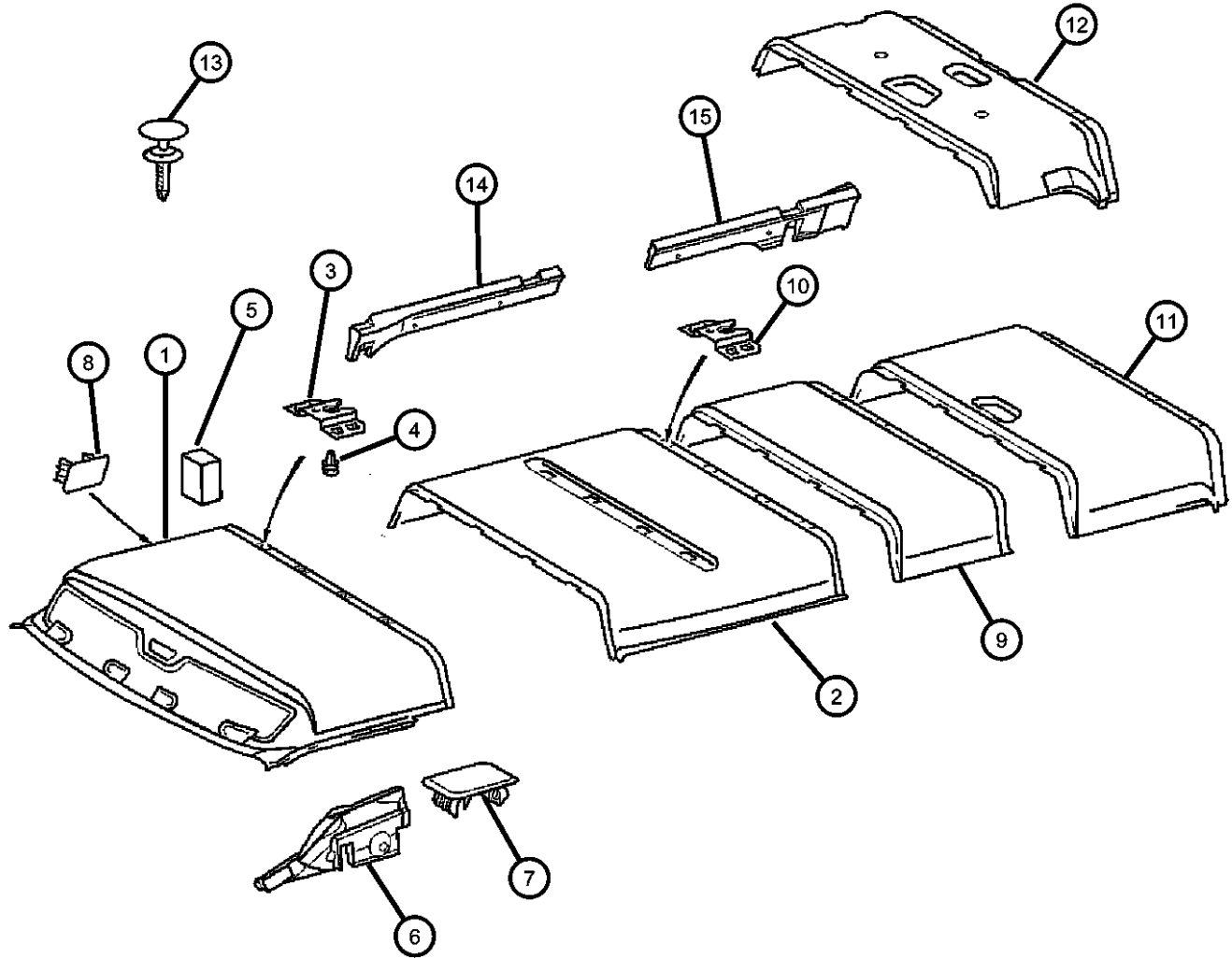
ITEM	PART NUMBER	QTY	LINE	SERIES	BODY	ENGINE	TRANS	TRIM	DESCRIPTION	
1	05123465AA	1	2, 6	L	56				HEADLINER, Front Without Sunroof,With Cargo Partition	
		1	2, 6	L	16				Without Sunroof,With Cargo Partition	
		1	3, 7	L	16				Without Sunroof,With Cargo Partition	
	05123470AA	1	2, 6	L	16				With Sunroof and Cargo Partition	
		1	2, 6	L	56				With Sunroof and Cargo Partition	
		1	3, 7	L	16				With Sunroof and Cargo Partition	
2	05123093AA	1	2, 6	L	11, 12				HEADLINER, Center With Right Sliding Door	
		1	2, 6	L	51, 52				With Right Sliding Door	
		1	3, 7	L	15				With Right Sliding Door	
	05123095AA	1	2, 6	L	11, 12				With Left Sliding Door	
		1	2, 6	L	51, 52				With Left Sliding Door	
		1	3, 7	L	15				With Left Sliding Door	
	05123097AA	1	2, 6	L	11, 12				With Right & Left Sliding Door	
		1	3, 7	L	15				With Right & Left Sliding Door	
		1	2, 6	L	51, 52				With Right & Left Sliding Door	
	3	05123436AA	4	2, 6	L	11, 12, 14, 15, 16				BRACKET, Headliner to Roof Rail
			4	2, 6	L	51, 52, 54, 55, 56				
			4	3, 7	L	12, 15, 16				
4			3, 7	L	12, 15, 16					
4	05125569AA	4	2, 6	L	11, 12, 14, 15, 16				CLIP, Headlining	
		4	2, 6	L	51, 52, 54, 55, 56					
		4	3, 7	L	12, 15, 16					
		4	3, 7	L	12, 15, 16					

SPRINTER (VA)

SERIES	LINE	BODY	ENGINE	TRANSMISSION
L = LOWLINE	3 = HD DODGE 2WD 8 = HD DODGE 4WD 6 = Lt. Duty DODGE 4WD 2 = Med. Duty DODGE 2WD 7 = Med. Duty DODGE 4WD 4 = TRUCK	01 = CHASSIS FORWARD CONTROL W.B.1 02 = CAB CHASSIS WHEEL BASE 2 06 = CAB CHASSIS WHEEL BASE 6 11 = VAN WHEEL BASE 1 12 = VAN WHEEL BASE 2 51 = WAGON WHEEL BASE 1 52 = WAGON WHEEL BASE 2 14 = VAN WHEEL BASE 4 15 = VAN WHEEL BASE 5 54 = WAGON WHEEL BASE 4 55 = WAGON WHEEL BASE 5 56 = WAGON WHEEL BASE 6 16 = VAN WHEEL BASE 6	EX8 = 2.7L I5 Turbo Diesel Engine EX9 = 2.7L I5 Mercedes-Benz TD Engine	DGJ = 5-Speed Automatic MB Transmission DGZ = 4-Spd. Automatic MT643 Transmission

AR = use ase required - = Non illustrated part

**Headliner, Low Roof
Figure IVA-110**



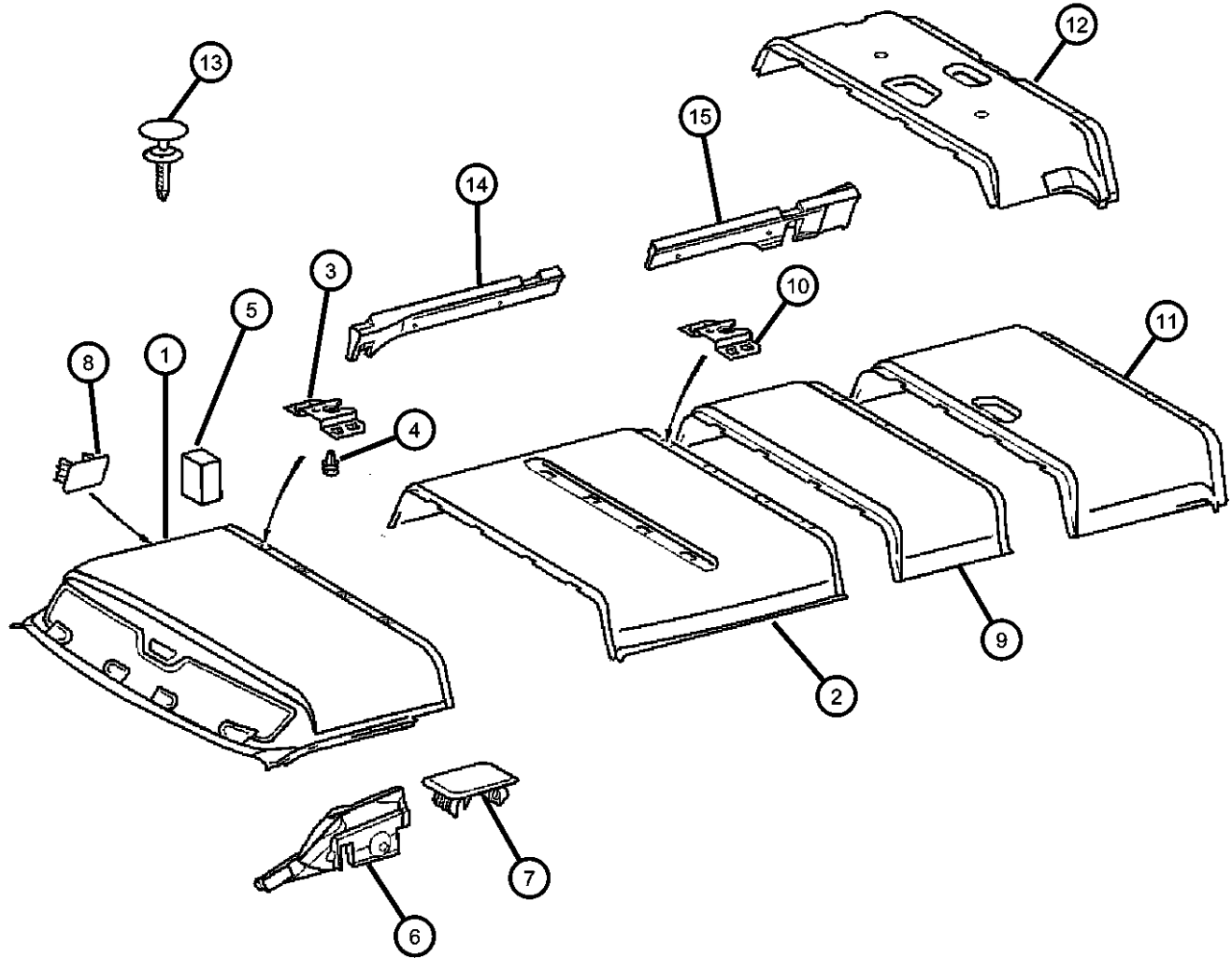
ITEM	PART NUMBER	QTY	LINE	SERIES	BODY	ENGINE	TRANS	TRIM	DESCRIPTION
5									PAD, Headlining
	05123547AA	2	2, 6	L	11, 12, 14, 15, 16				
		2	2, 6	L	51, 52, 54, 55, 56				
		1	3, 7	L	12, 15, 16				
6									FLOCK, Nylon
	05123497AA	1	2, 6	L	51, 52, 54, 55, 56				Right
	05123496AA	1	2, 6	L	11, 12, 14, 15, 16				Left
		1	2, 6	L	51, 52, 54, 55, 56				Left
		1	3, 7	L	12, 15, 16				Left
		1	2, 6	L	11, 12, 14, 15, 16				Right
		1	3, 7	L	15				Right
		1	3, 7	L	16				Right
7									CLIP, Headlining
	05125569AA	8	2, 6	L	11, 12, 14, 15, 16				
		8	2, 6	L	51, 52, 54, 55, 56				
		4	3, 7	L	12, 15, 16				
8									PLUG, Headliner
	1BH88CSTAA	2	2, 6	L	14, 15, 16				
		2	2, 6	L	11, 12				
		2	2, 6	L	54, 55, 56				
		2	2, 6	L	51, 52				
		2	3, 7	L	15, 16				
		2	3, 7	L	12				
9									HEADLINER, Center

SPRINTER (VA)

SERIES	LINE	BODY	ENGINE	TRANSMISSION
L = LOWLINE	3 = HD DODGE 2WD 8 = HD DODGE 4WD 6 = Lt. Duty DODGE 4WD 2 = Med. Duty DODGE 2WD 7 = Med. Duty DODGE 4WD 4 = TRUCK	01 = CHASSIS FORWARD CONTROL W.B.1 02 = CAB CHASSIS WHEEL BASE 2 06 = CAB CHASSIS WHEEL BASE 6 11 = VAN WHEEL BASE 1 12 = VAN WHEEL BASE 2 51 = WAGON WHEEL BASE 1 52 = WAGON WHEEL BASE 2 14 = VAN WHEEL BASE 4 15 = VAN WHEEL BASE 5 54 = WAGON WHEEL BASE 4 55 = WAGON WHEEL BASE 5 56 = WAGON WHEEL BASE 6 16 = VAN WHEEL BASE 6	EX8 = 2.7L I5 Turbo Diesel Engine EX9 = 2.7L I5 Mercedes-Benz TD Engine	DGJ = 5-Speed Automatic MB Transmission DGZ = 4-Spd. Automatic MT643 Transmission

AR = use ase required - = Non illustrated part

**Headliner, Low Roof
Figure IVA-110**



ITEM	PART NUMBER	QTY	LINE	SERIES	BODY	ENGINE	TRANS	TRIM	DESCRIPTION
	05123107AA	1	2, 6	L	11, 12				With Interior Lamp
		1	2, 6	L	51, 52				With Interior Lamp
		1	3, 7	L	15				With Interior Lamp
	05123140AA	1	2, 6	L	12				With Sunroof
		1	2, 6	L	52				With Sunroof
		1	3, 7	L	15				With Sunroof
10									BRACKET
	05123436AA	4	2, 6	L	51, 52, 54, 55, 56				
		4	3, 7	L	12, 15, 16				
		4	2, 6	L	11, 12, 14, 15, 16				
11									HEADLINER, Rear
	05123108AA	1	3, 7	L	15				
		1	2, 6	L	11, 12				
		1	2, 6	L	51, 52				
12									PANEL, Quarter
	05123155AA	1	2, 6	L	12				
		1	2, 6	L	52				
		1	3, 7	L	15				
13									RIVET
	05104541AA	2	3, 7	L	12, 15				Headliner to Rear Roof Rail
		2	2, 6	L	11, 12, 14, 15, 16				Headliner to Rear Roof Rail
		2	2, 6	L	51, 52, 54, 55, 56				Headliner to Rear Roof Rail
	1BH98CSTAA	2	2, 6	L	11, 12, 14, 15, 16				Paneling to Roof Rear Rail
		2	2, 6	L	51, 52, 54, 55, 56				
		2	3, 7	L	12, 15				

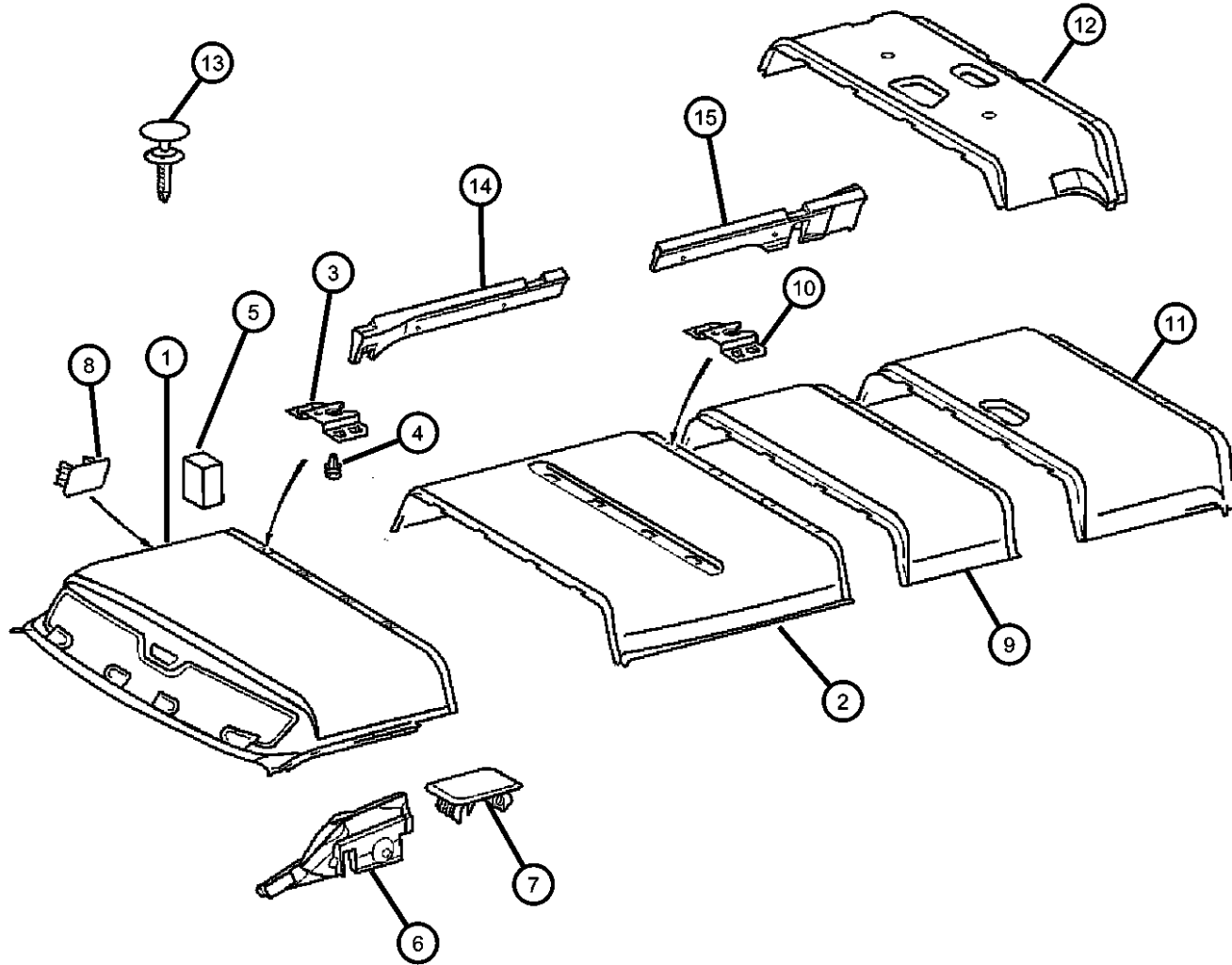
SPRINTER (VA)

SERIES	LINE	BODY	ENGINE	TRANSMISSION
L = LOWLINE	3 = HD DODGE 2WD 8 = HD DODGE 4WD 6 = Lt. Duty DODGE 4WD 2 = Med. Duty DODGE 2WD 7 = Med. Duty DODGE 4WD 4 = TRUCK	01 = CHASSIS FORWARD CONTROL W.B.1 02 = CAB CHASSIS WHEEL BASE 2 06 = CAB CHASSIS WHEEL BASE 6 11 = VAN WHEEL BASE 1 12 = VAN WHEEL BASE 2 51 = WAGON WHEEL BASE 1 52 = WAGON WHEEL BASE 2 14 = VAN WHEEL BASE 4 15 = VAN WHEEL BASE 5 54 = WAGON WHEEL BASE 4 55 = WAGON WHEEL BASE 5 56 = WAGON WHEEL BASE 6 16 = VAN WHEEL BASE 6	EX8 = 2.7L I5 Turbo Diesel Engine EX9 = 2.7L I5 Mercedes-Benz TD Engine	DGJ = 5-Speed Automatic MB Transmission DGZ = 4-Spd. Automatic MT643 Transmission

AR = use ase required - = Non illustrated part

**Headliner, Low Roof
Figure IVA-110**

ITEM	PART NUMBER	QTY	LINE	SERIES	BODY	ENGINE	TRANS	TRIM	DESCRIPTION
14	05104297AA	1	2, 6	L	51, 52				FLOCK, Nylon
15	05104298AA	1	2, 6	L	51, 52				FLOCK, Nylon
		1	3, 7	L	12, 15, 16				
-16	05123510AA	1	2, 6	L	14, 15, 16				FLOCK, Nylon, Spacer
		1	3, 7	L	15, 16				
-17	05123512AA	1	2, 6	L	14, 15, 16				FLOCK, Nylon, Spacer
		1	3, 7	L	15, 16				
-18	05123514AA	1	2, 6	L	14, 15, 16				SPACER, Foam Headliner
		1	3, 7	L	15, 16				
-19	05123516AA	1	2, 6	L	14, 15, 16				SPACER, Foam Headliner
		1	3, 7	L	15, 16				

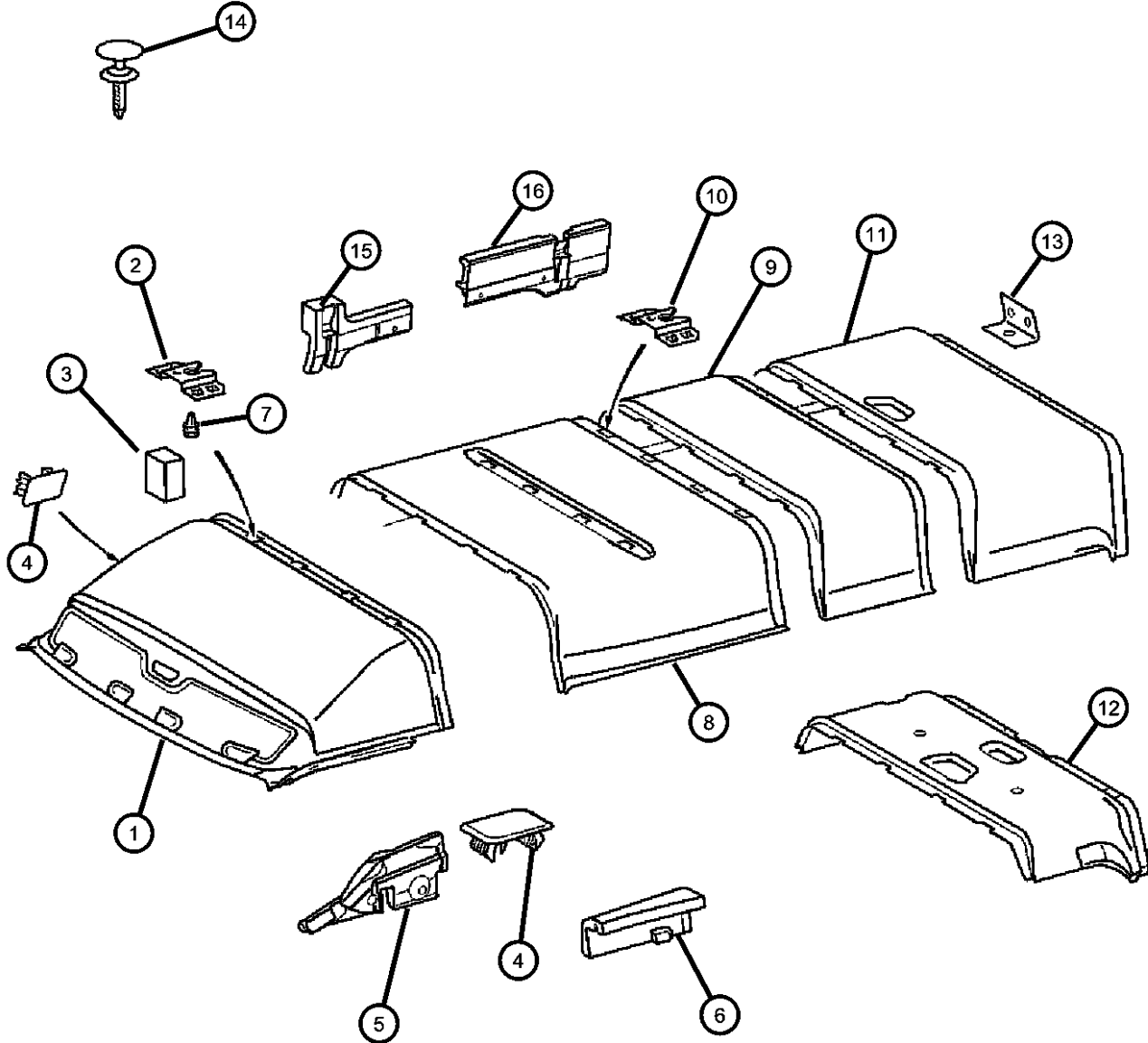


SPRINTER (VA)

SERIES	LINE	BODY	ENGINE	TRANSMISSION
L = LOWLINE	3 = HD DODGE 2WD 8 = HD DODGE 4WD 6 = Lt. Duty DODGE 4WD 2 = Med. Duty DODGE 2WD 7 = Med. Duty DODGE 4WD 4 = TRUCK	01 = CHASSIS FORWARD CONTROL W.B.1 02 = CAB CHASSIS WHEEL BASE 2 06 = CAB CHASSIS WHEEL BASE 6 11 = VAN WHEEL BASE 1 12 = VAN WHEEL BASE 2 51 = WAGON WHEEL BASE 1 52 = WAGON WHEEL BASE 2 14 = VAN WHEEL BASE 4 15 = VAN WHEEL BASE 5 54 = WAGON WHEEL BASE 4 55 = WAGON WHEEL BASE 5 56 = WAGON WHEEL BASE 6 16 = VAN WHEEL BASE 6	EX8 = 2.7L I5 Turbo Diesel Engine EX9 = 2.7L I5 Mercedes-Benz TD Engine	DGJ = 5-Speed Automatic MB Transmission DGZ = 4-Spd. Automatic MT643 Transmission

AR = use ase required - = Non illustrated part

**Headliner, High Roof
Figure IVA-115**



ITEM	PART NUMBER	QTY	LINE	SERIES	BODY	ENGINE	TRANS	TRIM	DESCRIPTION
------	-------------	-----	------	--------	------	--------	-------	------	-------------

Sales Code:
[XJY] = Cargo Partition with Sliding Door

1	05104300AA	1	2, 6	L	16				HEADLINER, Front With Sliding Door [XJY]
		1	2, 6	L	56				With Sliding Door [XJY]
		1	3, 7	L	16				With Sliding Door [XJY]
	05123473AA	1	2, 6	L	16				Without Sliding Door [XJY]
		1	3, 7	L	16				Without Sliding Door [XJY]
2	05123436AA	4	2, 6	L	11, 12, 14, 15, 16				BRACKET
		4	2, 6	L	51, 52, 54, 55, 56				
		4	3, 7	L	12, 15, 16				
3	05123547AA	2	2, 6	L	11, 12, 14, 15, 16				PAD, Headlining
		2	2, 6	L	51, 52, 54, 55, 56				
		1	3, 7	L	12, 15, 16				
4	1BH88CSTAA	2	2, 6	L	14, 15, 16				PLUG, Headliner
		2	6, 2	L	11, 12				
		2	2, 6	L	54, 55, 56				
		2	2, 6	L	51, 52				
		2	3, 7	L	15, 16				
		2	3, 7	L	12				
5	05123496AA	1	2, 6	L	11, 12, 14, 15, 16				FLOCK, Nylon Left
		1	2, 6	L	51, 52, 54, 55, 56				Left

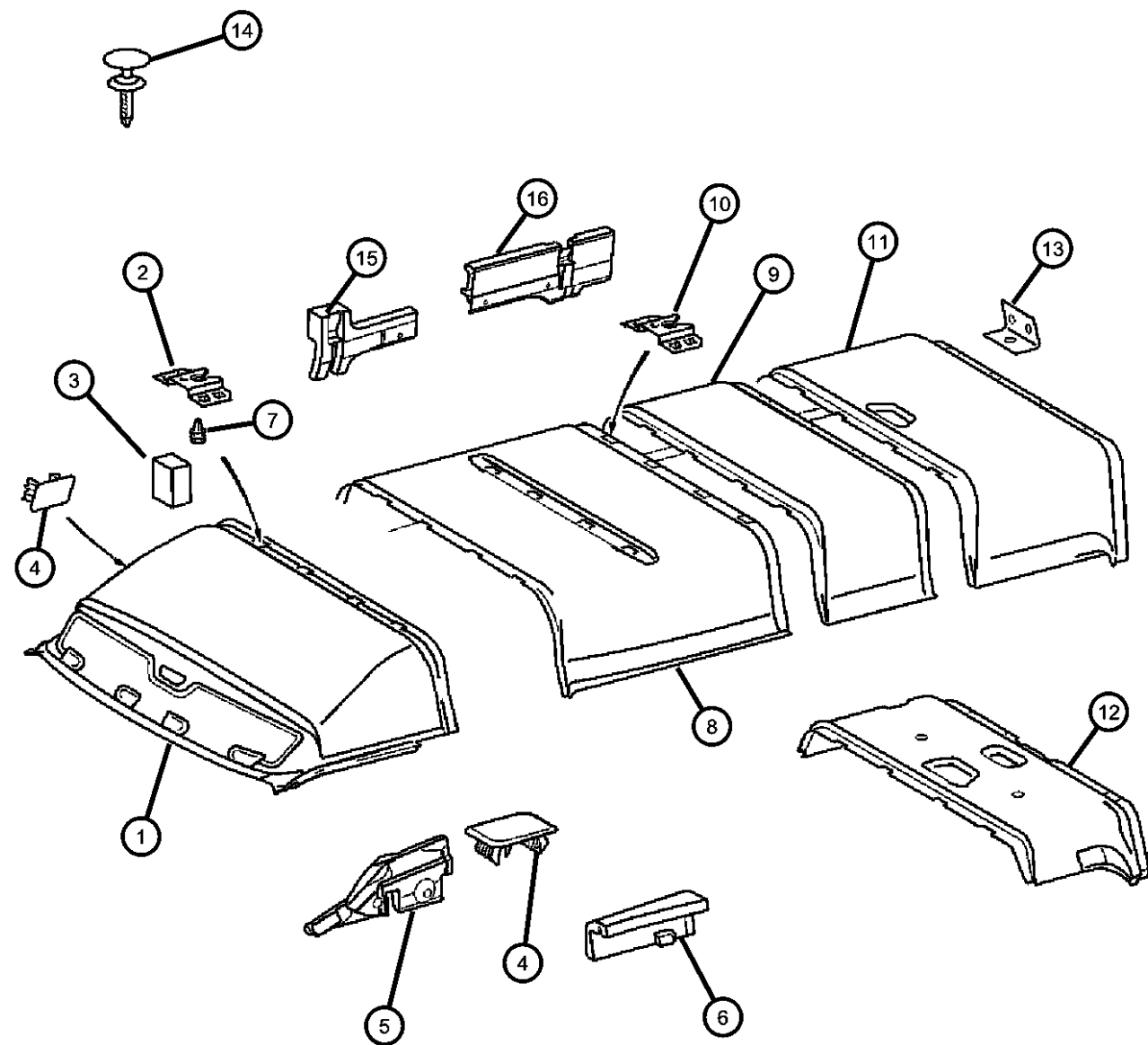
SPRINTER (VA)

SERIES	LINE	BODY	ENGINE	TRANSMISSION
L = LOWLINE	3 = HD DODGE 2WD 8 = HD DODGE 4WD 6 = Lt. Duty DODGE 4WD 2 = Med. Duty DODGE 2WD 7 = Med. Duty DODGE 4WD 4 = TRUCK	01 = CHASSIS FORWARD CONTROL W.B.1 02 = CAB CHASSIS WHEEL BASE 2 06 = CAB CHASSIS WHEEL BASE 6 11 = VAN WHEEL BASE 1 12 = VAN WHEEL BASE 2 51 = WAGON WHEEL BASE 1 52 = WAGON WHEEL BASE 2 14 = VAN WHEEL BASE 4 15 = VAN WHEEL BASE 5 54 = WAGON WHEEL BASE 4 55 = WAGON WHEEL BASE 5 56 = WAGON WHEEL BASE 6 16 = VAN WHEEL BASE 6	EX8 = 2.7L I5 Turbo Diesel Engine EX9 = 2.7L I5 Mercedes-Benz TD Engine	DGJ = 5-Speed Automatic MB Transmission DGZ = 4-Spd. Automatic MT643 Transmission

AR = use ase required - = Non illustrated part

2006 VA

**Headliner, High Roof
Figure IVA-115**



ITEM	PART NUMBER	QTY	LINE	SERIES	BODY	ENGINE	TRANS	TRIM	DESCRIPTION
		1	3, 7	L	12, 15, 16				Left
	05123497AA	1	2, 6	L	11, 12, 14, 15, 16				Right
		1	2, 6	L	51, 52, 54, 55, 56				Right
		1	3, 7	L	15				Right
		1	3, 7	L	16				Right
6									FLOCK, Nylon
	05123498AA	1	2, 6	L	14, 15, 16				Left
		1	2, 6	L	54, 55, 56				Left
		1	3, 7	L	15, 16				Left
	05123499AA	1	2, 6	L	14, 15, 16				Right
		1	2, 6	L	54, 55, 56				Right
		1	3, 7	L	15, 16				Right
7									CLIP, Headlining
	05125569AA	4	2, 6	L	11, 12, 14, 15, 16				Paneling to Roof Rail
		8	2, 6	L	11, 12, 14, 15, 16				Headliner to Roof Bow
		4	2, 6	L	11				Headliner to Rear Roof Rail
		8	2, 6	L	12				Headliner to Rear Roof Rail
		12	2, 6	L	16				Headliner to Rear Roof Rail
		4	2, 6	L	51, 52, 54, 55, 56				Paneling to Roof Rail
		8	2, 6	L	51, 52, 54, 55, 56				Headliner to Roof Bow
		4	2, 6	L	51				Headliner to Rear Roof Rail
		8	2, 6	L	52				Headliner to Rear Roof Rail
		12	2, 6	L	56				Headliner to Rear Roof Rail
		4	3, 7	L	12, 15, 16				Paneling to Roof Rail
		8	3, 7	L	12, 15				Headliner to Roof Bow

SPRINTER (VA)
SERIES
 L = LOWLINE
 3 = HD DODGE 2WD
 8 = HD DODGE 4WD
 6 = Lt. Duty DODGE 4WD
 2 = Med. Duty DODGE 2WD
 7 = Med. Duty DODGE 4WD
 4 = TRUCK

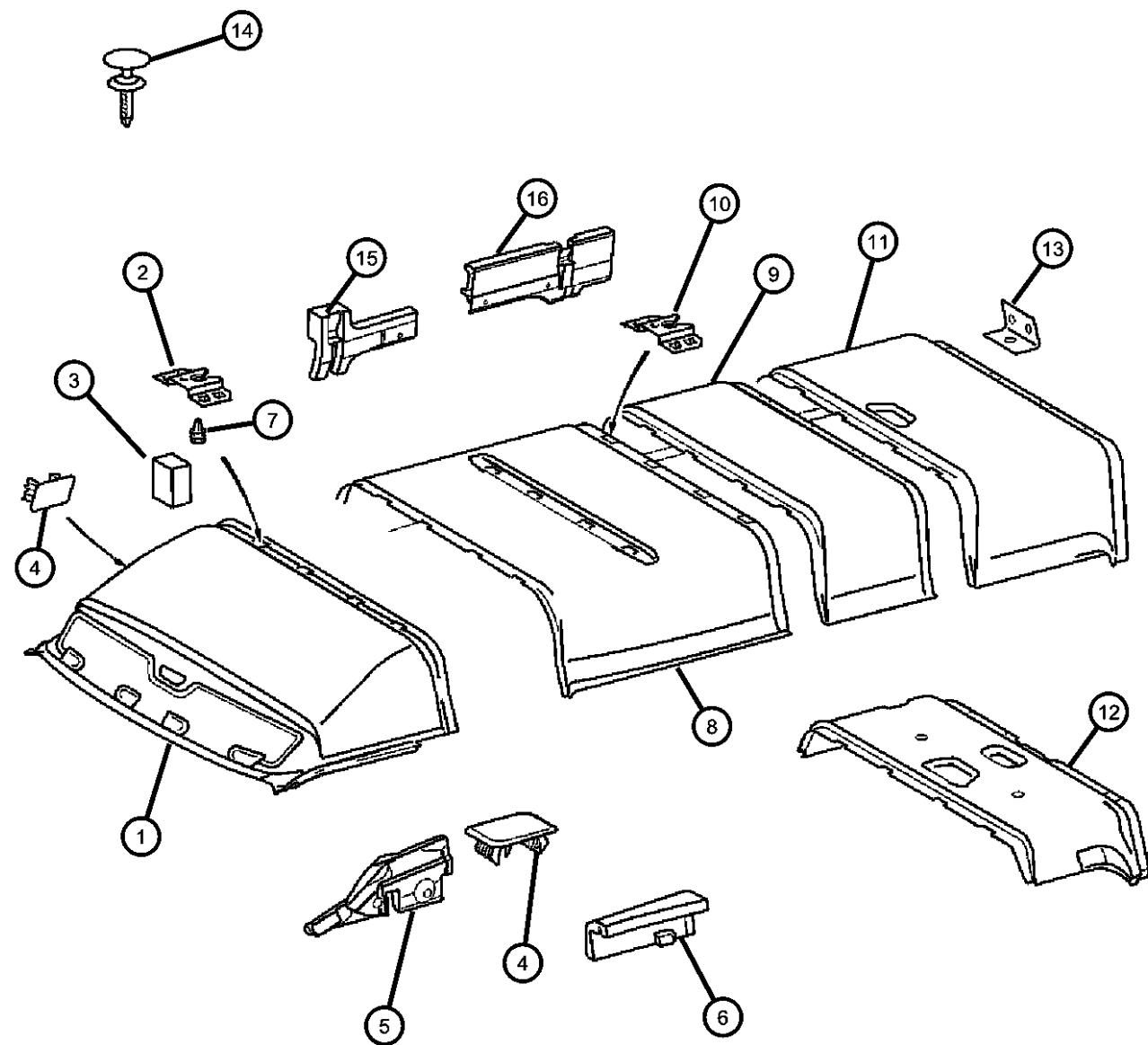
BODY
 01 = CHASSIS FORWARD CONTROL W.B.1
 02 = CAB CHASSIS WHEEL BASE 2
 06 = CAB CHASSIS WHEEL BASE 6
 11 = VAN WHEEL BASE 1
 12 = VAN WHEEL BASE 2
 51 = WAGON WHEEL BASE 1
 52 = WAGON WHEEL BASE 2
 14 = VAN WHEEL BASE 4
 15 = VAN WHEEL BASE 5
 54 = WAGON WHEEL BASE 4
 55 = WAGON WHEEL BASE 5
 56 = WAGON WHEEL BASE 6
 16 = VAN WHEEL BASE 6

ENGINE
 EX8 = 2.7L I5 Turbo Diesel Engine
 EX9 = 2.7L I5 Mercedes-Benz TD Engine

TRANSMISSION
 DGJ = 5-Speed Automatic MB Transmission
 DGZ = 4-Spd. Automatic MT643 Transmission

AR = use ase required - = Non illustrated part

**Headliner, High Roof
Figure IVA-115**



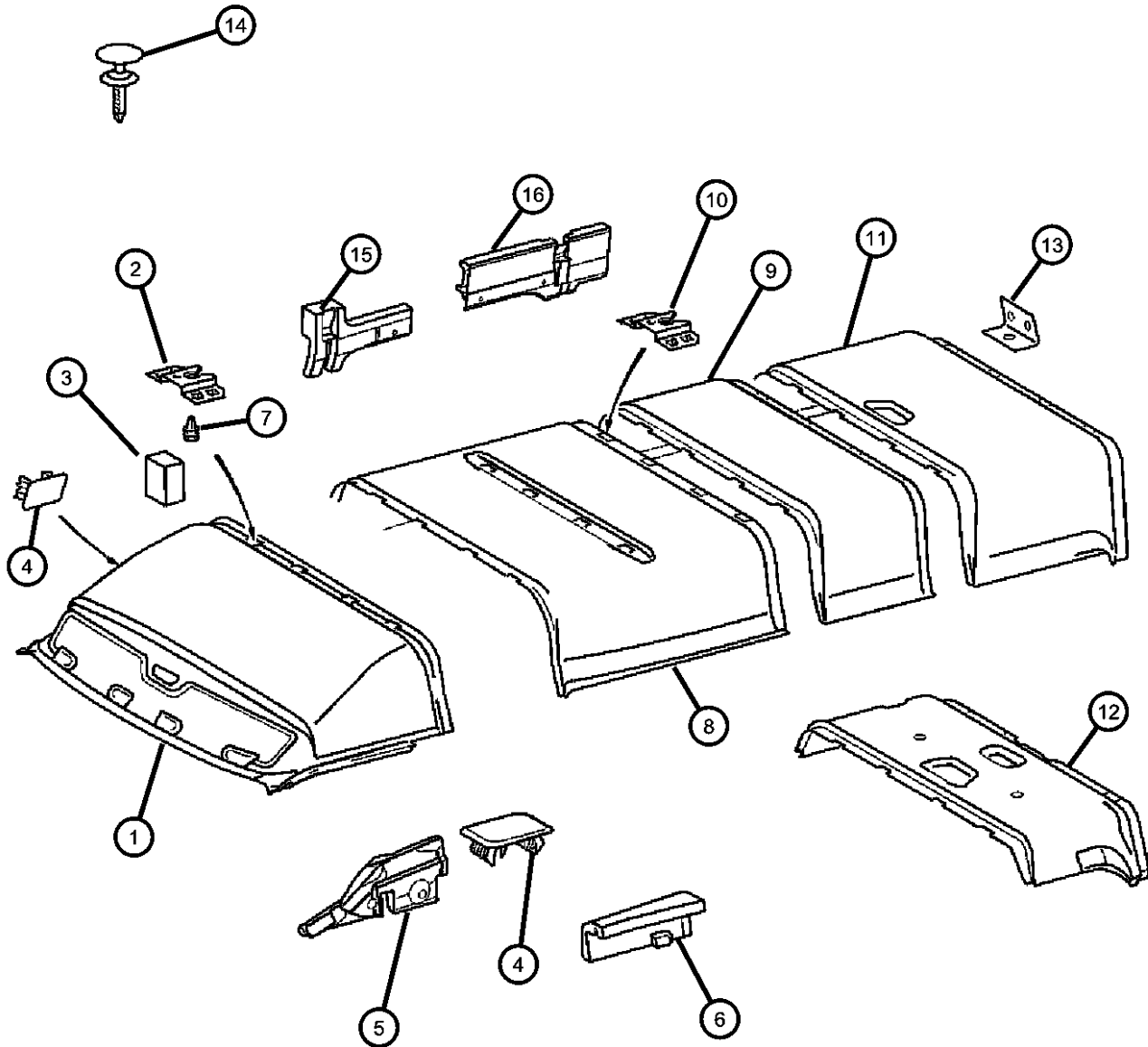
ITEM	PART NUMBER	QTY	LINE	SERIES	BODY	ENGINE	TRANS	TRIM	DESCRIPTION
		8	3, 7	L	12, 15				Headliner to Rear Roof Rail
		12	3, 7	L	16				Headliner to Rear Roof Rail
8									HEADLINER, Center
	05104278AA	1	2, 6	L	11, 12, 16				With Right Sliding Door
		1	2, 6	L	51, 52, 56				With Right Sliding Door
		1	3, 7	L	15, 16				With Right Sliding Door
	05123112AA	1	2, 6	L	11, 12, 16				With Left Sliding Door
		1	2, 6	L	51, 52, 56				With Left Sliding Door
		1	3, 7	L	15, 16				With Left Sliding Door
	05123114AA	1	2, 6	L	11, 12, 16				With Right & Left Sliding Door
		1	2, 6	L	51, 52, 56				With Right & Left Sliding Door
		1	3, 7	L	15, 16				With Right & Left Sliding Door
9									HEADLINER, Center
	05104279AA	1	2, 6	L	12, 16				With Sunroof
		1	2, 6	L	52, 56				With Sunroof
		1	3, 7	L	15				With Sunroof
		2	3, 7	L	16				With Sunroof
	05123141AA	1	2, 6	L	12, 16				With Interior Lamp
		1	2, 6	L	52, 56				With Interior Lamp
		1	3, 7	L	15, 16				With Interior Lamp
10									BRACKET
	05123436AA	4	2, 6	L	11, 12, 14, 15, 16				Paneling to Roof Rail
		4	2, 6	L	56, 51, 52, 54, 55				
		4	3, 7	L	12, 15, 16				
11									HEADLINER, Rear
	05123144AA	1	2, 6	L	16				

SPRINTER (VA)

SERIES	LINE	BODY	ENGINE	TRANSMISSION
L = LOWLINE	3 = HD DODGE 2WD 8 = HD DODGE 4WD 6 = Lt. Duty DODGE 4WD 2 = Med. Duty DODGE 2WD 7 = Med. Duty DODGE 4WD 4 = TRUCK	01 = CHASSIS FORWARD CONTROL W.B.1 02 = CAB CHASSIS WHEEL BASE 2 06 = CAB CHASSIS WHEEL BASE 6 11 = VAN WHEEL BASE 1 12 = VAN WHEEL BASE 2 51 = WAGON WHEEL BASE 1 52 = WAGON WHEEL BASE 2 14 = VAN WHEEL BASE 4 15 = VAN WHEEL BASE 5 54 = WAGON WHEEL BASE 4 55 = WAGON WHEEL BASE 5 56 = WAGON WHEEL BASE 6 16 = VAN WHEEL BASE 6	EX8 = 2.7L I5 Turbo Diesel Engine EX9 = 2.7L I5 Mercedes-Benz TD Engine	DGJ = 5-Speed Automatic MB Transmission DGZ = 4-Spd. Automatic MT643 Transmission

AR = use ase required - = Non illustrated part

**Headliner, High Roof
Figure IVA-115**



ITEM	PART NUMBER	QTY	LINE	SERIES	BODY	ENGINE	TRANS	TRIM	DESCRIPTION
		1	2, 6	L	56				
		1	3, 7	L	16				
	05131784AA	1	2, 6	L	11				
		1	2, 6	L	51				
12	05104277AA	1	2, 6	L	12				HEADLINER, Rear
		1	6, 2	L	52				
		1	3, 7	L	15				
13	05123437AA	1	2, 6	L	11, 12, 14, 15, 16				BRACKET
		1	2, 6	L	51, 52, 54, 55, 56				
		1	3, 7	L	12, 15, 16				
14	1BH98CSTAA	2	2, 6	L	11, 12, 14, 15, 16				RIVET
		2	2, 6	L	51, 52, 54, 55, 56				
		2	3, 7	L	12, 15				
15	05131910AA	1	2, 6	L	54, 55, 56				FLOCK, Nylon
16	05104299AA	1	2, 6	L	54, 55, 56				SPACER
		1	3, 7	L	12, 15, 16				
-17	05123502AA	1	2, 6	L	14, 15, 16				SPACER, Foam Headliner
		1	3, 7	L	15, 16				
-18	05123504AA	1	2, 6	L	14, 15, 16				SPACER, Foam Headliner

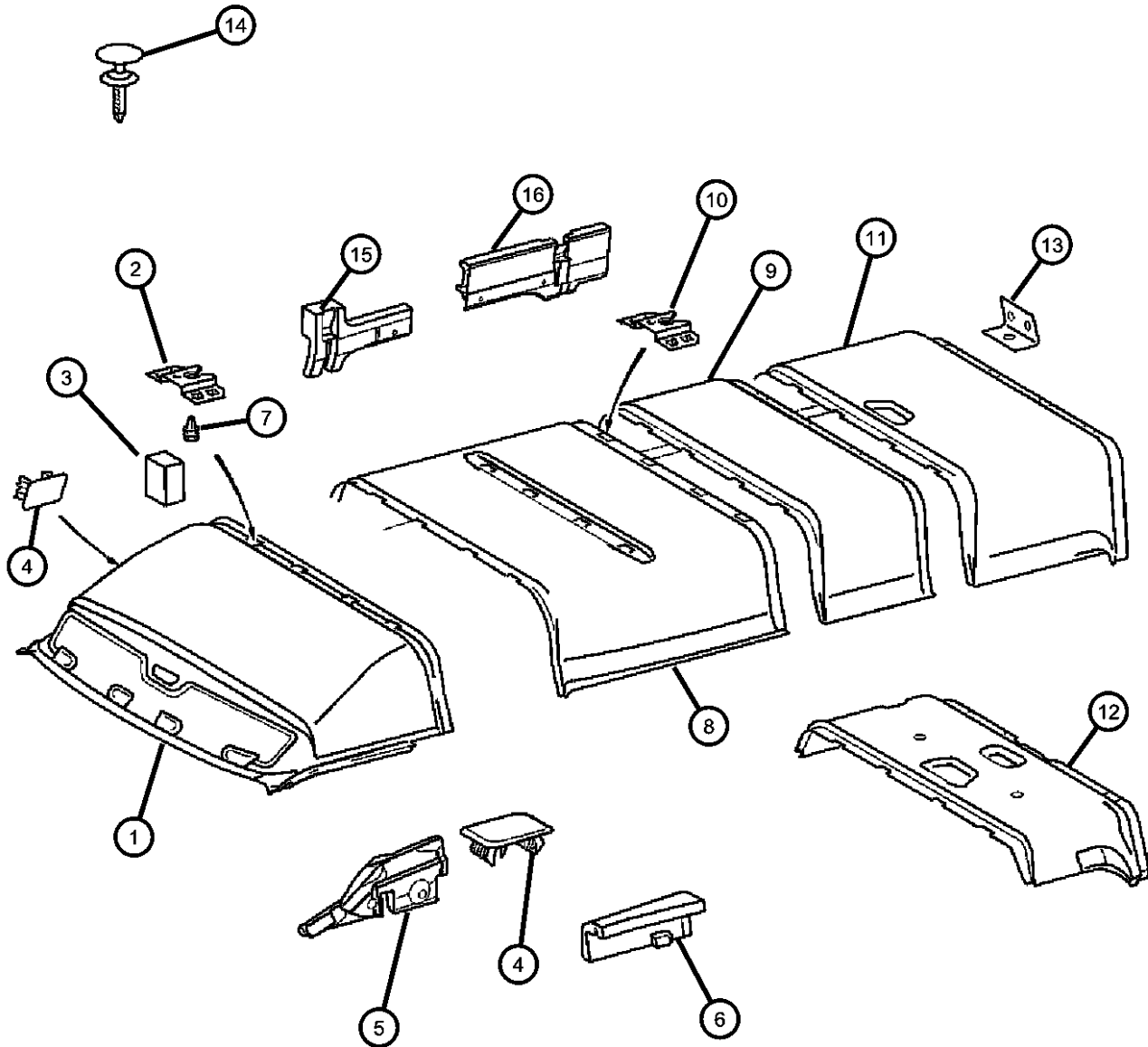
SPRINTER (VA)

SERIES	LINE	BODY	ENGINE	TRANSMISSION
L = LOWLINE	3 = HD DODGE 2WD 8 = HD DODGE 4WD 6 = Lt. Duty DODGE 4WD 2 = Med. Duty DODGE 2WD 7 = Med. Duty DODGE 4WD 4 = TRUCK	01 = CHASSIS FORWARD CONTROL W.B.1 02 = CAB CHASSIS WHEEL BASE 2 06 = CAB CHASSIS WHEEL BASE 6 11 = VAN WHEEL BASE 1 12 = VAN WHEEL BASE 2 51 = WAGON WHEEL BASE 1 52 = WAGON WHEEL BASE 2 14 = VAN WHEEL BASE 4 15 = VAN WHEEL BASE 5 54 = WAGON WHEEL BASE 4 55 = WAGON WHEEL BASE 5 56 = WAGON WHEEL BASE 6 16 = VAN WHEEL BASE 6	EX8 = 2.7L I5 Turbo Diesel Engine EX9 = 2.7L I5 Mercedes-Benz TD Engine	DGJ = 5-Speed Automatic MB Transmission DGZ = 4-Spd. Automatic MT643 Transmission

AR = use ase required - = Non illustrated part

Headliner, High Roof
Figure IVA-115

ITEM	PART NUMBER	QTY	LINE	SERIES	BODY	ENGINE	TRANS	TRIM	DESCRIPTION
-19		1	3, 7	L	15, 16				SPACER, Foam Headliner
	05123506AA	1	2, 6	L	14, 15, 16				
-20		1	3, 7	L	15, 16				SPACER, Foam Headliner
	05123508AA	1	2, 6	L	14, 15, 16				
		1	3, 7	L	15, 16				



SPRINTER (VA)

SERIES

L = LOWLINE
 3 = HD DODGE 2WD
 8 = HD DODGE 4WD
 6 = Lt. Duty DODGE 4WD
 2 = Med. Duty DODGE 2WD
 7 = Med. Duty DODGE 4WD
 4 = TRUCK

LINE

BODY

01 = CHASSIS FORWARD CONTROL W.B.1
 02 = CAB CHASSIS WHEEL BASE 2
 06 = CAB CHASSIS WHEEL BASE 6
 11 = VAN WHEEL BASE 1
 12 = VAN WHEEL BASE 2
 51 = WAGON WHEEL BASE 1
 52 = WAGON WHEEL BASE 2
 14 = VAN WHEEL BASE 4
 15 = VAN WHEEL BASE 5
 54 = WAGON WHEEL BASE 4
 55 = WAGON WHEEL BASE 5
 56 = WAGON WHEEL BASE 6
 16 = VAN WHEEL BASE 6

ENGINE

EX8 = 2.7L I5 Turbo Diesel Engine
 EX9 = 2.7L I5 Mercedes-Benz TD Engine

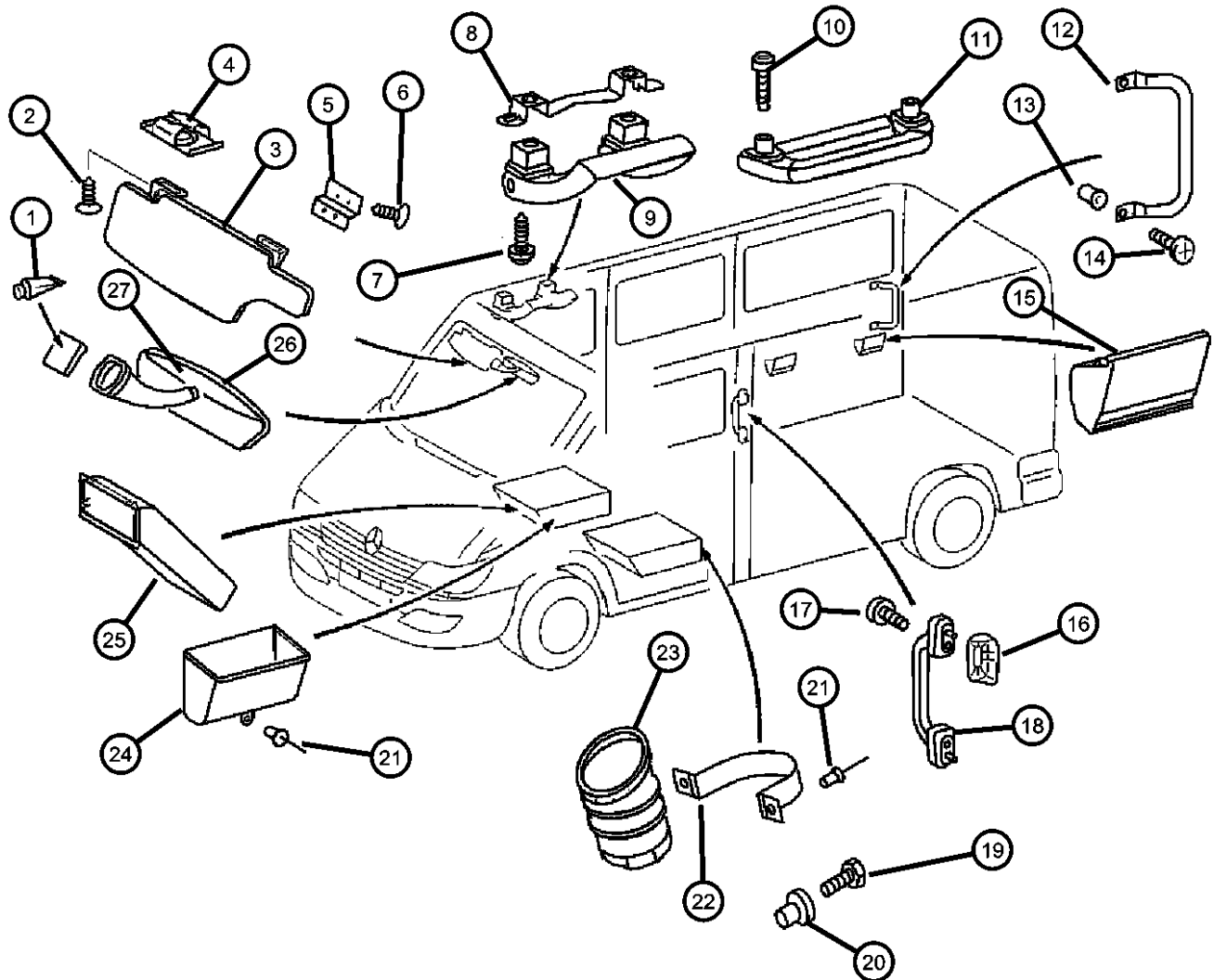
TRANSMISSION

DGJ = 5-Speed Automatic MB Transmission
 DGZ = 4-Spd. Automatic MT643 Transmission

AR = use ase required - = Non illustrated part

2006 VA

Sunvisors, Grabhandles, Shelf and Attaching Parts
Figure IVA-120



ITEM	PART NUMBER	QTY	LINE	SERIES	BODY	ENGINE	TRANS	TRIM	DESCRIPTION
1		1							ADHESIVE, (NOT SERVICED)
2	06104005AA	2	2, 3, 6, 7	L					SCREW
3									VISOR
	05104438AA	1	2, 6	L	01, 02, 06				Left
		1	2, 6	L	11, 12, 14, 15, 16				Left
		1	3, 7	L	02, 06				Left
		1	3, 7	L	12, 15, 16				Left
	05104439AA	1	2, 6	L	01, 02, 06				Right
		1	2, 6	L	11, 12, 14, 15, 16				Right
		1	2, 6	L	51, 52, 54, 55, 56				Right
		1	3, 7	L	02, 06				Right
		1	3, 7	L	12, 15, 16				Right
		1	2, 6	L	51, 52, 54, 55, 56				Left
4									CLIP, Visor
	05125854AA	8	2, 6	L	01, 02, 06				
		8	2, 6	L	11, 12, 14, 15, 16				
		8	2, 6	L	51, 52, 54, 55, 56				
		2	3, 7	L	02, 06				
		2	3, 7	L	12, 15, 16				
5									BRACKET, Trim
	05124268AA	4	2, 6	L	11, 12, 14, 15, 16				
		4	2, 6	L	51, 52, 54, 55, 56				
		3	3, 7	L	12, 15, 16				
6									SCREW

SPRINTER (VA)
SERIES
 L = LOWLINE

LINE
 3 = HD DODGE 2WD
 8 = HD DODGE 4WD
 6 = Lt. Duty DODGE 4WD
 2 = Med. Duty DODGE 2WD
 7 = Med. Duty DODGE 4WD
 4 = TRUCK

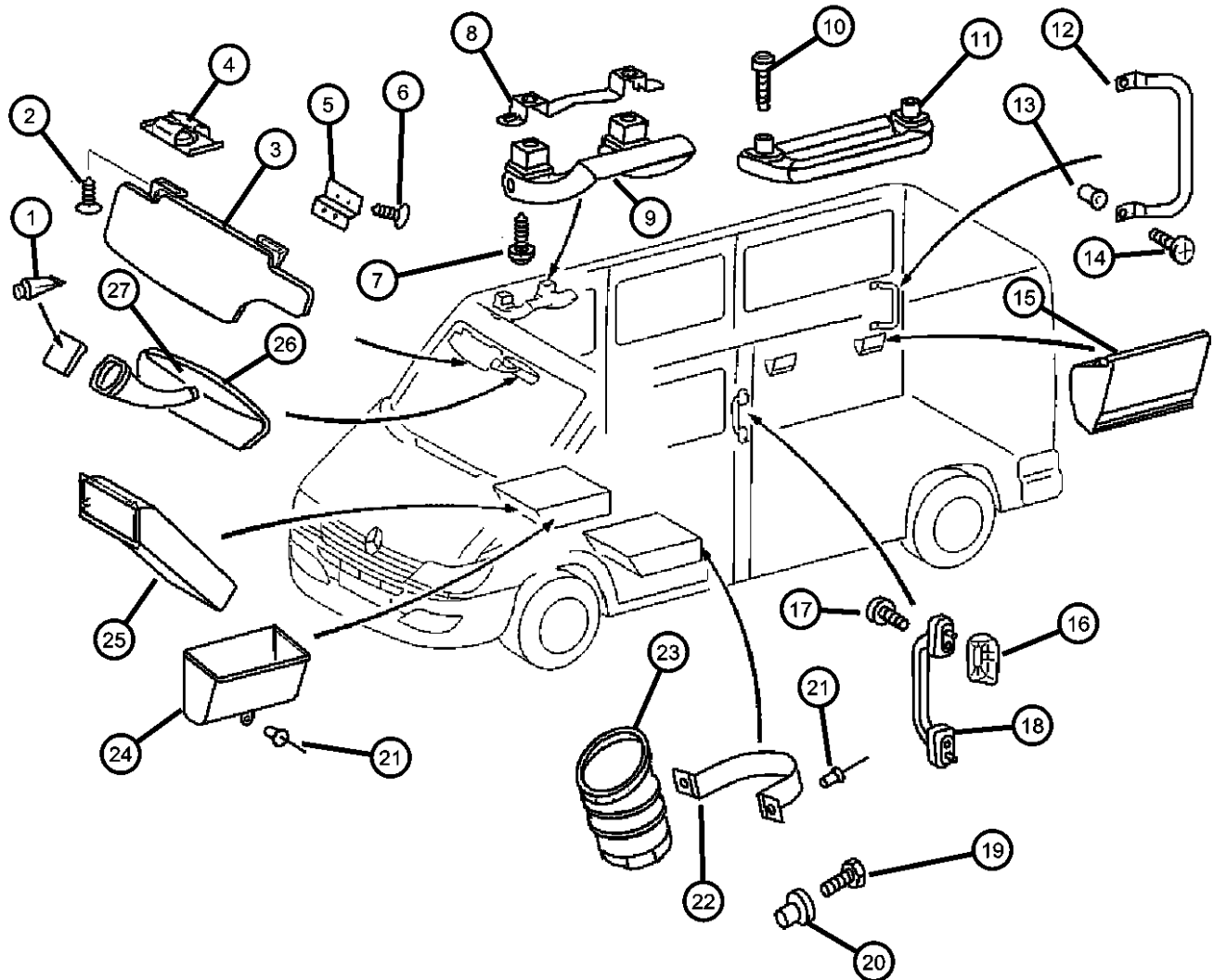
BODY
 01 = CHASSIS FORWARD CONTROL W.B.1
 02 = CAB CHASSIS WHEEL BASE 2
 06 = CAB CHASSIS WHEEL BASE 6
 11 = VAN WHEEL BASE 1
 12 = VAN WHEEL BASE 2
 51 = WAGON WHEEL BASE 1
 52 = WAGON WHEEL BASE 2
 14 = VAN WHEEL BASE 4
 15 = VAN WHEEL BASE 5
 54 = WAGON WHEEL BASE 4
 55 = WAGON WHEEL BASE 5
 56 = WAGON WHEEL BASE 6
 16 = VAN WHEEL BASE 6

ENGINE
 EX8 = 2.7L I5 Turbo Diesel Engine
 EX9 = 2.7L I5 Mercedes-Benz TD Engine

TRANSMISSION
 DGJ = 5-Speed Automatic MB Transmission
 DGZ = 4-Spd. Automatic MT643 Transmission

AR = use ase required - = Non illustrated part

Sunvisors, Grabhandles, Shelf and Attaching Parts
Figure IVA-120



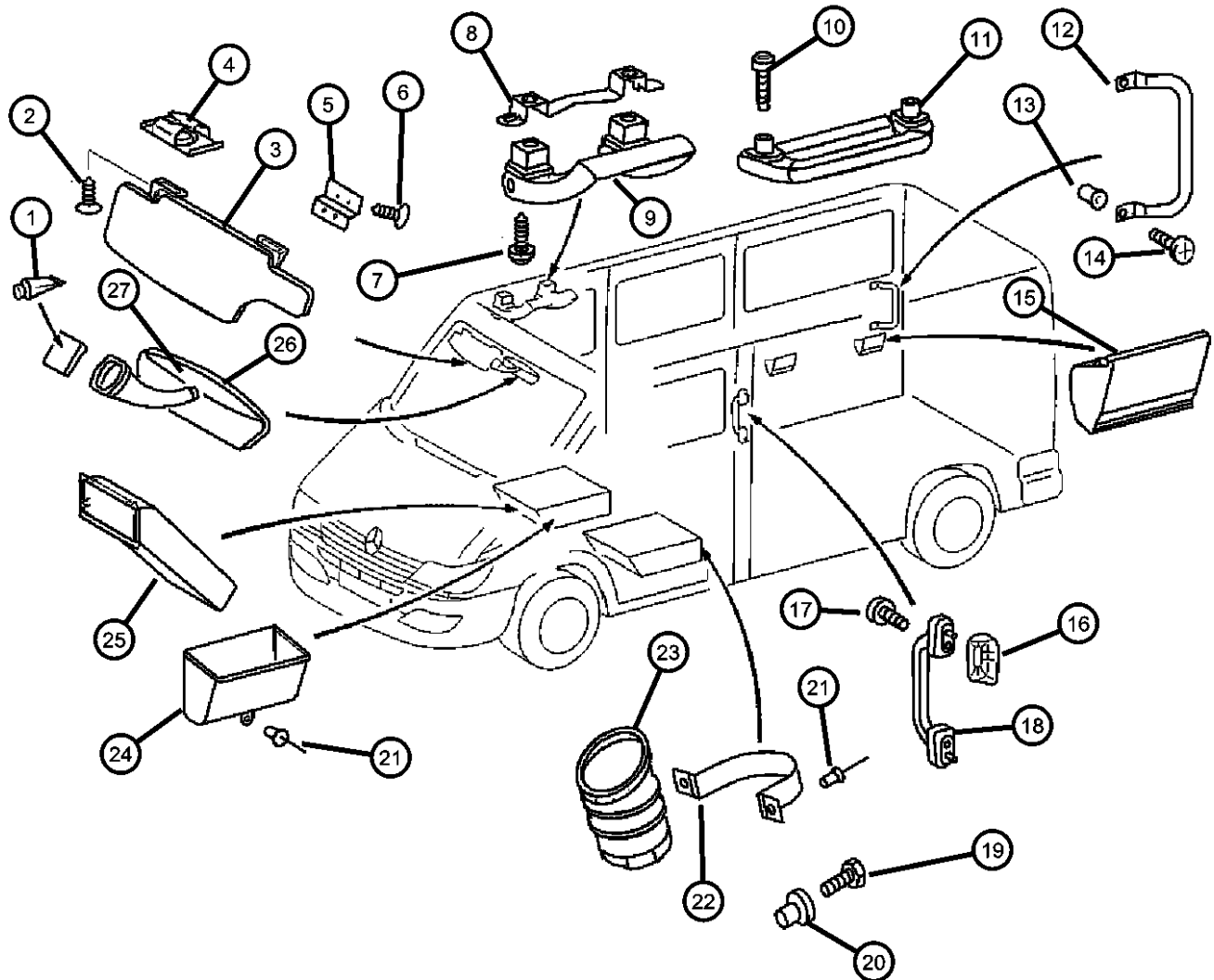
ITEM	PART NUMBER	QTY	LINE	SERIES	BODY	ENGINE	TRANS	TRIM	DESCRIPTION
	06104505AA	8	2, 6	L	01, 02, 06				
		6	2, 6	L	11, 12, 14, 15, 16				
		8	2, 6	L	51, 52, 54, 55, 56				
		8	3, 7	L	02, 06				
		8	3, 7	L	12, 15, 16				
7									SCREW, Tapping
	06104574AA	2	2, 6	L	01, 02, 06				
		2	2, 6	L	11, 12, 14, 15, 16				
		2	2, 6	L	51, 52, 54, 55, 56				
		3	3, 7	L	02, 06				
		3	3, 7	L	12, 15, 16				
8									BRACKET, Grab Handle
	05124271AA	1	2, 6	L	11, 12, 14, 15, 16				
		1	2, 6	L	51, 52, 54, 55, 56				
		1	3, 7	L	12, 15, 16				
9									HANDLE, Grab
	05104437AA	1	3, 7	L	12, 15, 16				
		1	2, 6	L	11, 12, 14, 15, 16				
		1	2, 6	L	51, 52, 54, 55, 56				
10		1							SCREW, (NOT SERVICED)
11									HANDLE, Grab
	0ZF48CS8AA	1	2, 6	L	01, 02, 06			*B7	
		1	3, 7	L	02, 06			*B7	
12									HANDLE, Grab

SPRINTER (VA)

SERIES	LINE	BODY	ENGINE	TRANSMISSION
L = LOWLINE	3 = HD DODGE 2WD 8 = HD DODGE 4WD 6 = Lt. Duty DODGE 4WD 2 = Med. Duty DODGE 2WD 7 = Med. Duty DODGE 4WD 4 = TRUCK	01 = CHASSIS FORWARD CONTROL W.B.1 02 = CAB CHASSIS WHEEL BASE 2 06 = CAB CHASSIS WHEEL BASE 6 11 = VAN WHEEL BASE 1 12 = VAN WHEEL BASE 2 51 = WAGON WHEEL BASE 1 52 = WAGON WHEEL BASE 2 14 = VAN WHEEL BASE 4 15 = VAN WHEEL BASE 5 54 = WAGON WHEEL BASE 4 55 = WAGON WHEEL BASE 5 56 = WAGON WHEEL BASE 6 16 = VAN WHEEL BASE 6	EX8 = 2.7L I5 Turbo Diesel Engine EX9 = 2.7L I5 Mercedes-Benz TD Engine	DGJ = 5-Speed Automatic MB Transmission DGZ = 4-Spd. Automatic MT643 Transmission

AR = use ase required - = Non illustrated part

Sunvisors, Grabhandles, Shelf and Attaching Parts
Figure IVA-120



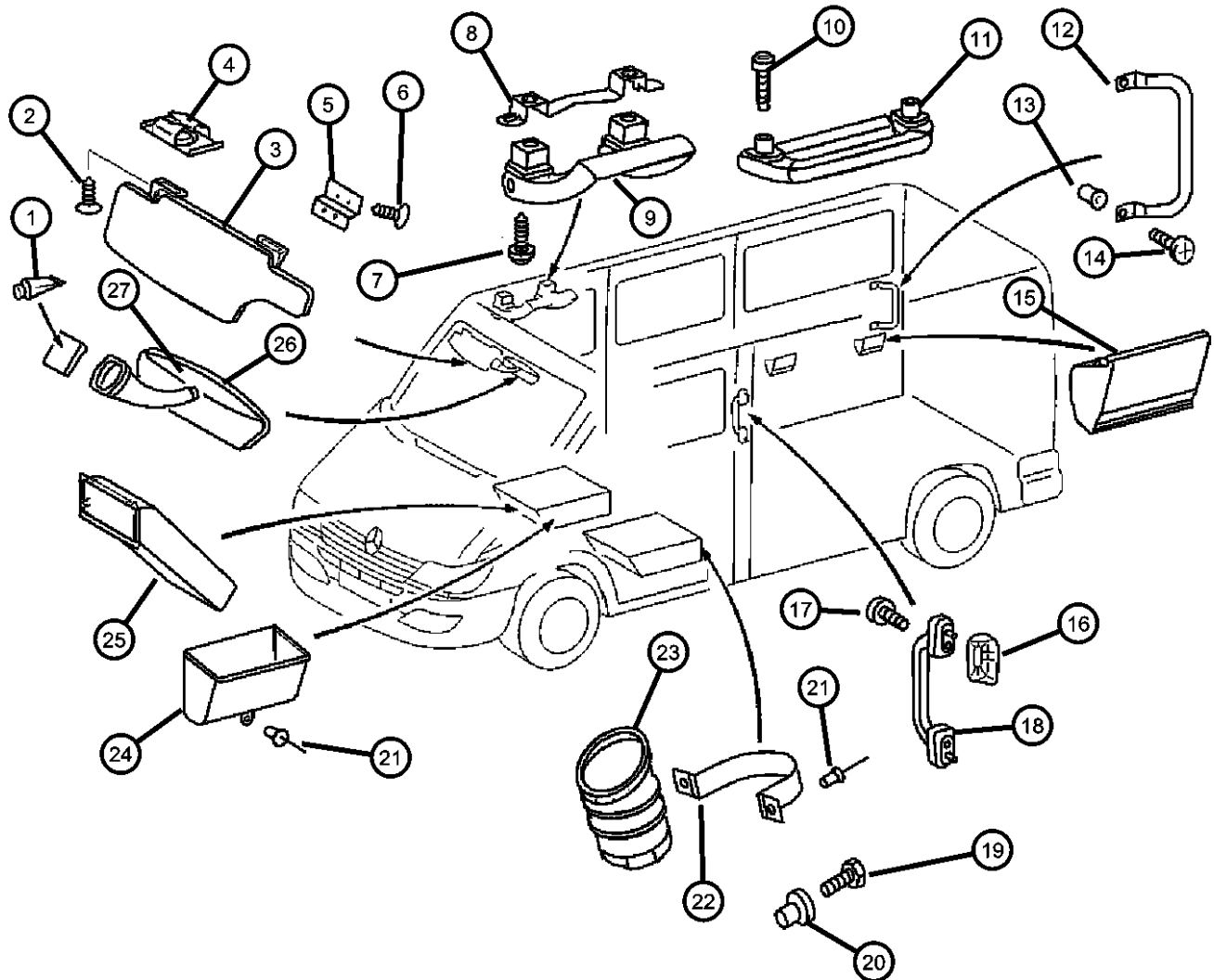
ITEM	PART NUMBER	QTY	LINE	SERIES	BODY	ENGINE	TRANS	TRIM	DESCRIPTION
	05104448AA	2	2, 6	L	11, 12, 14, 15, 16				
		2	2, 6	L	51, 52, 54, 55, 56				
		2	3, 7	L	12, 15, 16				
13									NUTSERT, Rivet
	05104678AA	2	2, 6	L	01, 02, 06				
		2	2, 6	L	11, 12, 14, 15, 16				
		2	2, 6	L	51, 52, 54, 55, 56				
		2	3, 7	L	12, 15, 16				
14									SCREW
	06104153AA	2	3, 7	L	12, 15, 16				
		2	2, 6	L	11, 12, 14, 15, 16				
		2	2, 6	L	51, 52, 54, 55, 56				
15									ASHTRAY
	05124222AA	2	2, 6	L	51, 54				
		2	2, 6	L	12, 15				
		2	2, 6	L	11, 14				
		2	2, 6	L	52, 55				
		4	3, 7	L	12, 15				
16									COVER, Assist Handle
	05124285AA	2	2, 6	L	11, 12, 14, 15, 16				
		2	2, 6	L	51, 52, 54, 55, 56				
		2	3, 7	L	12, 15, 16				
17									SCREW
	06104142AA	2	2, 6	L	01, 02, 06				

SPRINTER (VA)

SERIES	LINE	BODY	ENGINE	TRANSMISSION
L = LOWLINE	3 = HD DODGE 2WD 8 = HD DODGE 4WD 6 = Lt. Duty DODGE 4WD 2 = Med. Duty DODGE 2WD 7 = Med. Duty DODGE 4WD 4 = TRUCK	01 = CHASSIS FORWARD CONTROL W.B.1 02 = CAB CHASSIS WHEEL BASE 2 06 = CAB CHASSIS WHEEL BASE 6 11 = VAN WHEEL BASE 1 12 = VAN WHEEL BASE 2 51 = WAGON WHEEL BASE 1 52 = WAGON WHEEL BASE 2 14 = VAN WHEEL BASE 4 15 = VAN WHEEL BASE 5 54 = WAGON WHEEL BASE 4 55 = WAGON WHEEL BASE 5 56 = WAGON WHEEL BASE 6 16 = VAN WHEEL BASE 6	EX8 = 2.7L I5 Turbo Diesel Engine EX9 = 2.7L I5 Mercedes-Benz TD Engine	DGJ = 5-Speed Automatic MB Transmission DGZ = 4-Spd. Automatic MT643 Transmission

AR = use ase required - = Non illustrated part

Sunvisors, Grabhandles, Shelf and Attaching Parts
Figure IVA-120



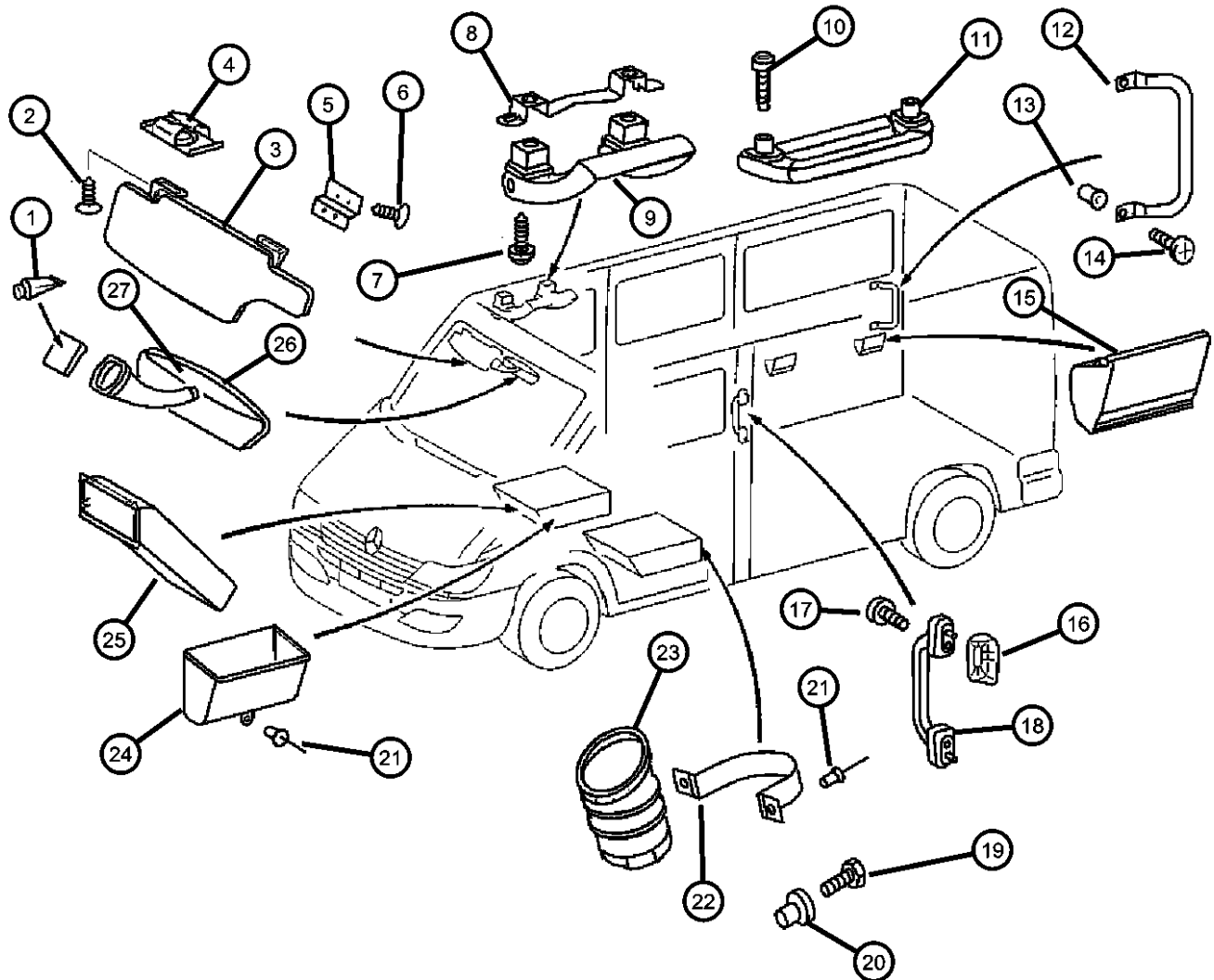
ITEM	PART NUMBER	QTY	LINE	SERIES	BODY	ENGINE	TRANS	TRIM	DESCRIPTION
		2	2, 6	L	11, 12, 14, 15, 16				
		2	2, 6	L	51, 52, 54, 55, 56				
		2	3, 7	L	02, 06				
		2	3, 7	L	12, 15, 16				
18	05103676AA	2	2, 6	L	11, 12, 14, 15, 16				HANDLE, Grab
		2	2, 6	L	51, 52, 54, 55, 56				
		1	3, 7	L	12, 15, 16				
19	05134034AA	2	2, 6	L	01, 02, 06				SCREW
		2	2, 6	L	11, 12, 14, 15, 16				
		2	2, 6	L	51, 52, 54, 55, 56				
20	05133943AA	2	2, 6	L	01, 02, 06				NUT
		2	2, 6	L	11, 12, 14, 15, 16				
		2	2, 6	L	51, 52, 54, 55, 56				
		99	3, 7	L	02, 06				
		99	3, 7	L	12, 15, 16				
21	05133934AA	1	2, 6	L	01, 02, 06				RIVET, M4.8
		1	2, 6	L	11, 12, 14, 15, 16				
		1	2, 6	L	51, 52, 54, 55, 56				
		1	3, 7	L	02, 06				

SPRINTER (VA)

SERIES	LINE	BODY	ENGINE	TRANSMISSION
L = LOWLINE	3 = HD DODGE 2WD 8 = HD DODGE 4WD 6 = Lt. Duty DODGE 4WD 2 = Med. Duty DODGE 2WD 7 = Med. Duty DODGE 4WD 4 = TRUCK	01 = CHASSIS FORWARD CONTROL W.B.1 02 = CAB CHASSIS WHEEL BASE 2 06 = CAB CHASSIS WHEEL BASE 6 11 = VAN WHEEL BASE 1 12 = VAN WHEEL BASE 2 51 = WAGON WHEEL BASE 1 52 = WAGON WHEEL BASE 2 14 = VAN WHEEL BASE 4 15 = VAN WHEEL BASE 5 54 = WAGON WHEEL BASE 4 55 = WAGON WHEEL BASE 5 56 = WAGON WHEEL BASE 6 16 = VAN WHEEL BASE 6	EX8 = 2.7L I5 Turbo Diesel Engine EX9 = 2.7L I5 Mercedes-Benz TD Engine	DGJ = 5-Speed Automatic MB Transmission DGZ = 4-Spd. Automatic MT643 Transmission

AR = use ase required - = Non illustrated part

Sunvisors, Grabhandles, Shelf and Attaching Parts
Figure IVA-120



ITEM	PART NUMBER	QTY	LINE	SERIES	BODY	ENGINE	TRANS	TRIM	DESCRIPTION
22		1	3, 7	L	12, 15, 16				BRACKET, Cup Holder
	05125038AA	1	2, 6	L	11, 12, 14, 15, 16				
		1	2, 6	L	51, 52, 54, 55, 56				
23		1	3, 7	L	12, 15, 16				HOLDER, Cup
	1AQ31CSSAA	1	2, 6	L	11, 12, 14, 15, 16				
		1	2, 6	L	51, 52, 54, 55, 56				
24		1	3, 7	L	12, 15, 16				BIN, Storage
	05104496AA	1	2, 6	L	01, 02, 06				
		1	2, 6	L	11, 12, 14, 15, 16				
		1	2, 6	L	51, 52, 54, 55, 56				
		1	3, 7	L	02, 06				
		1	3, 7	L	12, 15, 16				
25		1							BIN, Storage, (NOT SERVICED)
26									MIRROR, Inside Rear View
	05104435AA	1	2, 6	L	01, 02, 06				
		1	2, 6	L	11, 12, 14, 15, 16				
		1	2, 6	L	51, 52, 54, 55, 56				
		1	3, 7	L	02, 06				
		1	3, 7	L	12, 15, 16				
27									BUTTON, Rear View Mirror

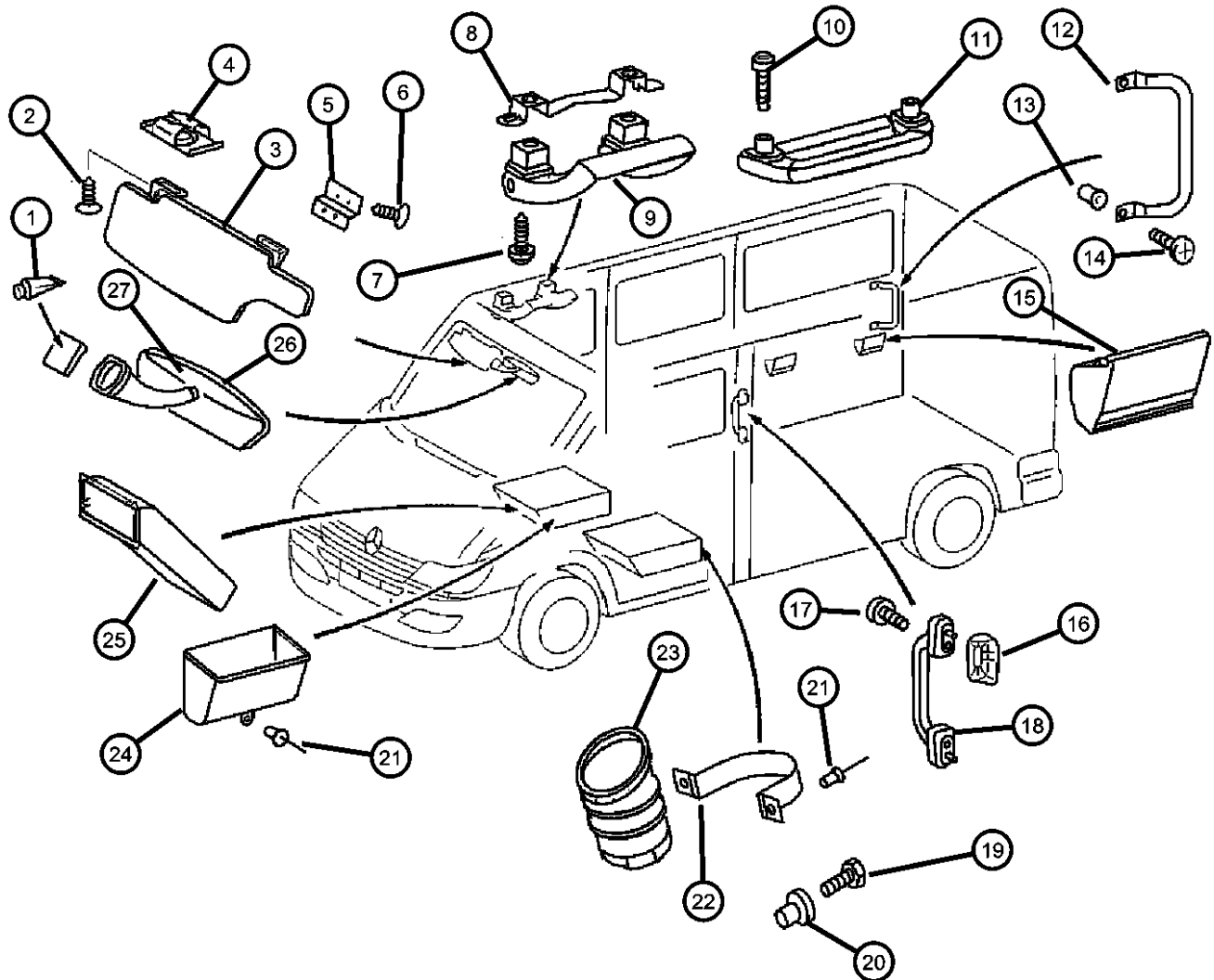
SPRINTER (VA)

SERIES	LINE	BODY	ENGINE	TRANSMISSION
L = LOWLINE	3 = HD DODGE 2WD 8 = HD DODGE 4WD 6 = Lt. Duty DODGE 4WD 2 = Med. Duty DODGE 2WD 7 = Med. Duty DODGE 4WD 4 = TRUCK	01 = CHASSIS FORWARD CONTROL W.B.1 02 = CAB CHASSIS WHEEL BASE 2 06 = CAB CHASSIS WHEEL BASE 6 11 = VAN WHEEL BASE 1 12 = VAN WHEEL BASE 2 51 = WAGON WHEEL BASE 1 52 = WAGON WHEEL BASE 2 14 = VAN WHEEL BASE 4 15 = VAN WHEEL BASE 5 54 = WAGON WHEEL BASE 4 55 = WAGON WHEEL BASE 5 56 = WAGON WHEEL BASE 6 16 = VAN WHEEL BASE 6	EX8 = 2.7L I5 Turbo Diesel Engine EX9 = 2.7L I5 Mercedes-Benz TD Engine	DGJ = 5-Speed Automatic MB Transmission DGZ = 4-Spd. Automatic MT643 Transmission

AR = use ase required - = Non illustrated part

Sunvisors, Grabhandles, Shelf and Attaching Parts
Figure IVA-120

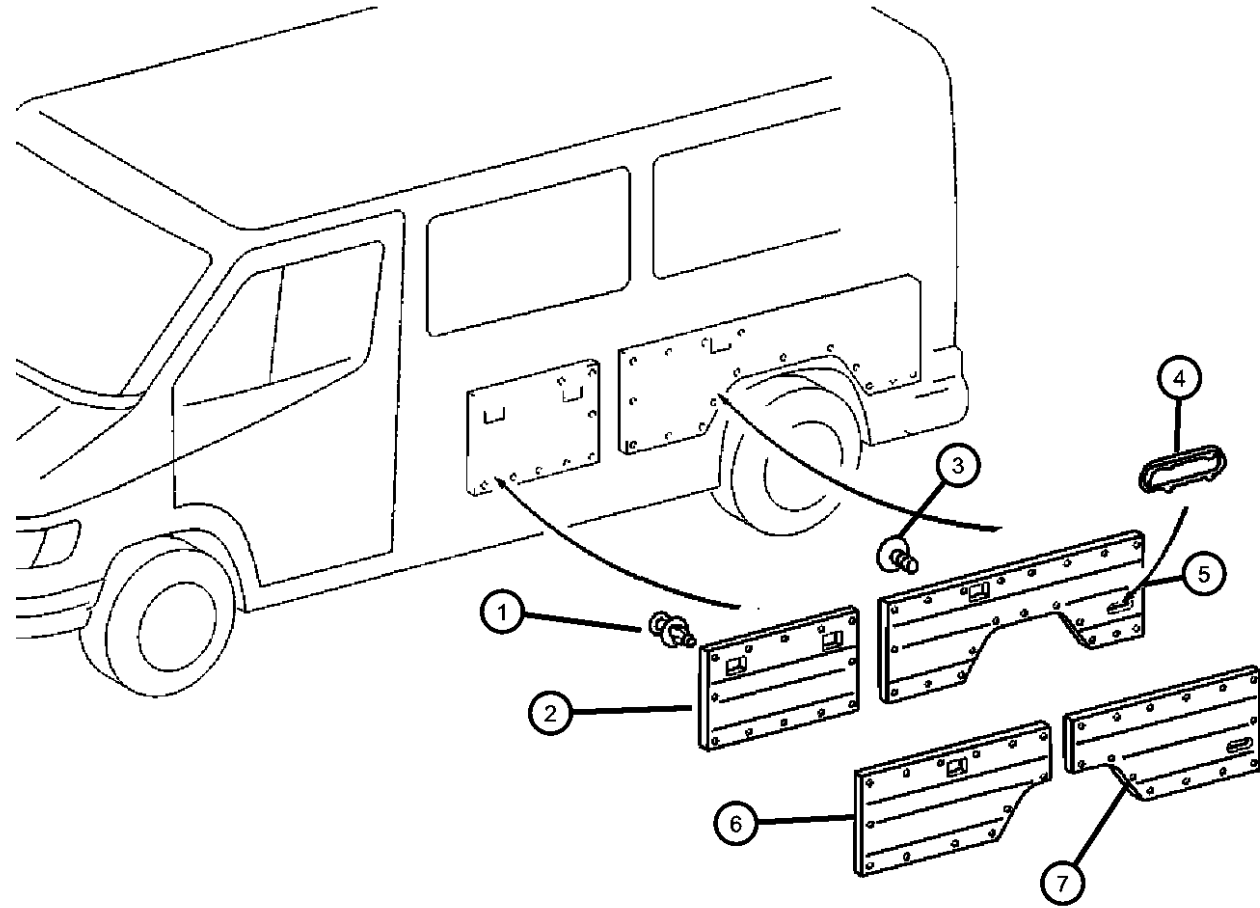
ITEM	PART NUMBER	QTY	LINE	SERIES	BODY	ENGINE	TRANS	TRIM	DESCRIPTION
	05104241AA	1	2, 6	L	11, 12, 14, 15, 16				
		1	2, 6	L	51, 52, 54, 55, 56				
		1	3, 7	L	02, 06				
		1	3, 7	L	12, 15, 16				



- SPRINTER (VA)**
- | | | | | |
|---------------|---|--|--|--|
| SERIES | LINE | BODY | ENGINE | TRANSMISSION |
| L = LOWLINE | 3 = HD DODGE 2WD
8 = HD DODGE 4WD
6 = Lt. Duty DODGE 4WD
2 = Med. Duty DODGE 2WD
7 = Med. Duty DODGE 4WD
4 = TRUCK | 01 = CHASSIS FORWARD CONTROL W.B.1
02 = CAB CHASSIS WHEEL BASE 2
06 = CAB CHASSIS WHEEL BASE 6
11 = VAN WHEEL BASE 1
12 = VAN WHEEL BASE 2
51 = WAGON WHEEL BASE 1
52 = WAGON WHEEL BASE 2
14 = VAN WHEEL BASE 4
15 = VAN WHEEL BASE 5
54 = WAGON WHEEL BASE 4
55 = WAGON WHEEL BASE 5
56 = WAGON WHEEL BASE 6
16 = VAN WHEEL BASE 6 | EX8 = 2.7L I5 Turbo Diesel Engine
EX9 = 2.7L I5 Mercedes-Benz TD Engine | DGJ = 5-Speed Automatic MB Transmission
DGZ = 4-Spd. Automatic MT643 Transmission |

AR = use ase required - = Non illustrated part

**Inner Panels - Fabric
Figure IVA-210**



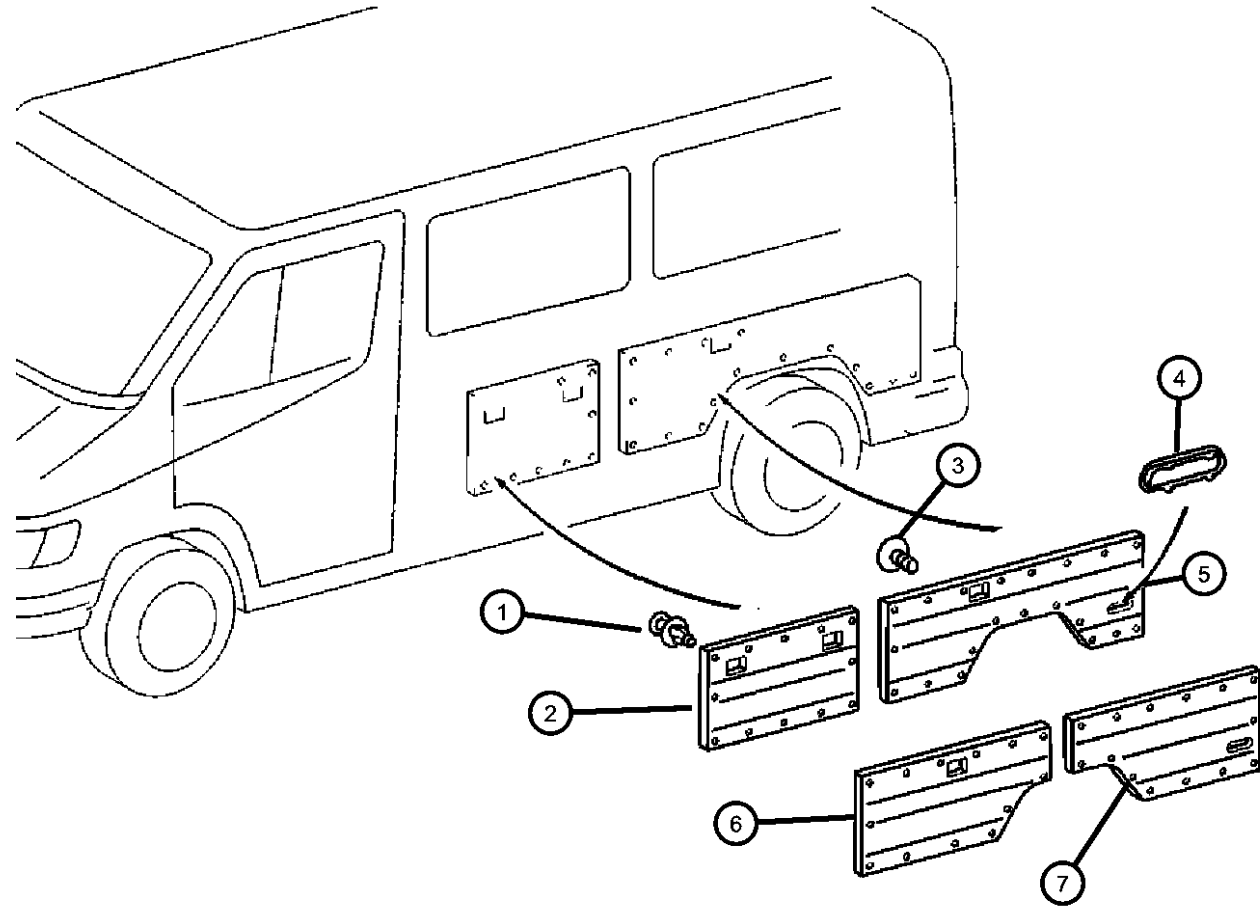
ITEM	PART NUMBER	QTY	LINE	SERIES	BODY	ENGINE	TRANS	TRIM	DESCRIPTION
1	06104895AA	10	2, 6	L	11, 12, 14, 15, 16				PIN, Push
		10	2, 6	L	51, 52, 54, 55, 56				
		10	3, 7	L	12, 15, 16				
2	05123006AA	1	2, 6	L	11, 12, 14, 15, 16				PANEL, Inner Left
		1	2, 6	L	51, 52, 54, 55, 56				Left
		1	3, 7	L	12, 15, 16				Left
	05123007AA	1	2, 6	L	11, 12, 14, 15, 16				Right
		1	2, 6	L	51, 52, 54, 55, 56				Right
		1	3, 7	L	12, 15, 16				Right
3	05125988AA	4	2, 6	L	52, 55				PLUG, Rear Seatbelt Hole
		4	2, 6	L	51, 54				
		6	2, 6	L	56				
4	05123426AA	2	2, 6	L	01, 02, 06				EXHAUSTER, Quarter Panel
		2	2, 6	L	11, 12, 14, 15, 16				
		2	2, 6	L	51, 52, 54, 55, 56				
		2	3, 7	L	02, 06				
		2	3, 7	L	12, 15, 16				
5	05123014AA	1	2, 6	L	12, 15				PANEL, Quarter Trim Used With Four Fold Loudspeakers
		1	2, 6	L	52, 55				Used With Four Fold Loudspeakers

SPRINTER (VA)

SERIES	LINE	BODY	ENGINE	TRANSMISSION
L = LOWLINE	3 = HD DODGE 2WD 8 = HD DODGE 4WD 6 = Lt. Duty DODGE 4WD 2 = Med. Duty DODGE 2WD 7 = Med. Duty DODGE 4WD 4 = TRUCK	01 = CHASSIS FORWARD CONTROL W.B.1 02 = CAB CHASSIS WHEEL BASE 2 06 = CAB CHASSIS WHEEL BASE 6 11 = VAN WHEEL BASE 1 12 = VAN WHEEL BASE 2 51 = WAGON WHEEL BASE 1 52 = WAGON WHEEL BASE 2 14 = VAN WHEEL BASE 4 15 = VAN WHEEL BASE 5 54 = WAGON WHEEL BASE 4 55 = WAGON WHEEL BASE 5 56 = WAGON WHEEL BASE 6 16 = VAN WHEEL BASE 6	EX8 = 2.7L I5 Turbo Diesel Engine EX9 = 2.7L I5 Mercedes-Benz TD Engine	DGJ = 5-Speed Automatic MB Transmission DGZ = 4-Spd. Automatic MT643 Transmission

AR = use ase required - = Non illustrated part

**Inner Panels - Fabric
Figure IVA-210**



ITEM	PART NUMBER	QTY	LINE	SERIES	BODY	ENGINE	TRANS	TRIM	DESCRIPTION
		1	3, 7	L	12, 15				Used With Four Fold Loudspeakers
6									PANEL, Quarter Trim
	05123020AA	1	2, 6	L	16				In Front Of Wheelhouse, Without Loudspeaker, Left
		1	2, 6	L	56				In Front Of Wheelhouse, Without Loudspeaker, Left
		1	3, 7	L	16				In Front Of Wheelhouse, Without Loudspeaker, Left
	05123023AA	1	2, 6	L	16				In Front Of Wheelhouse, Without Loudspeaker, Right
		1	2, 6	L	56				In Front Of Wheelhouse, Without Loudspeaker, Right
	05123029AA	1	3, 7	L	16				In Front Of Wheelhouse, With Loudspeaker, Left
	05123032AA	1	2, 6	L	16				In Front Of Wheelhouse, With Loudspeaker, Right
		1	2, 6	L	56				In Front Of Wheelhouse, With Loudspeaker, Right
		1	3, 7	L	16				In Front Of Wheelhouse, With Loudspeaker, Right
		1	3, 7	L	16				In Front Of Wheelhouse, Without Loudspeaker, Right
		1	2, 6	L	16				In Front Of Wheelhouse, With Loudspeaker, Left
		1	2, 6	L	56				In Front Of Wheelhouse, With Loudspeaker, Left
7									PANEL, Quarter Trim
	05123025AA	1	2, 6	L	11, 12, 14, 15, 16				Behind the Wheel Arch, Left
		1	2, 6	L	51, 52, 54, 55, 56				Behind the Wheel Arch, Left
	05123027AA	1	2, 6	L	51, 52, 54, 55, 56				Behind the Wheel Arch, Right
		1	3, 7	L	12, 15, 16				Behind the Wheel Arch, Right

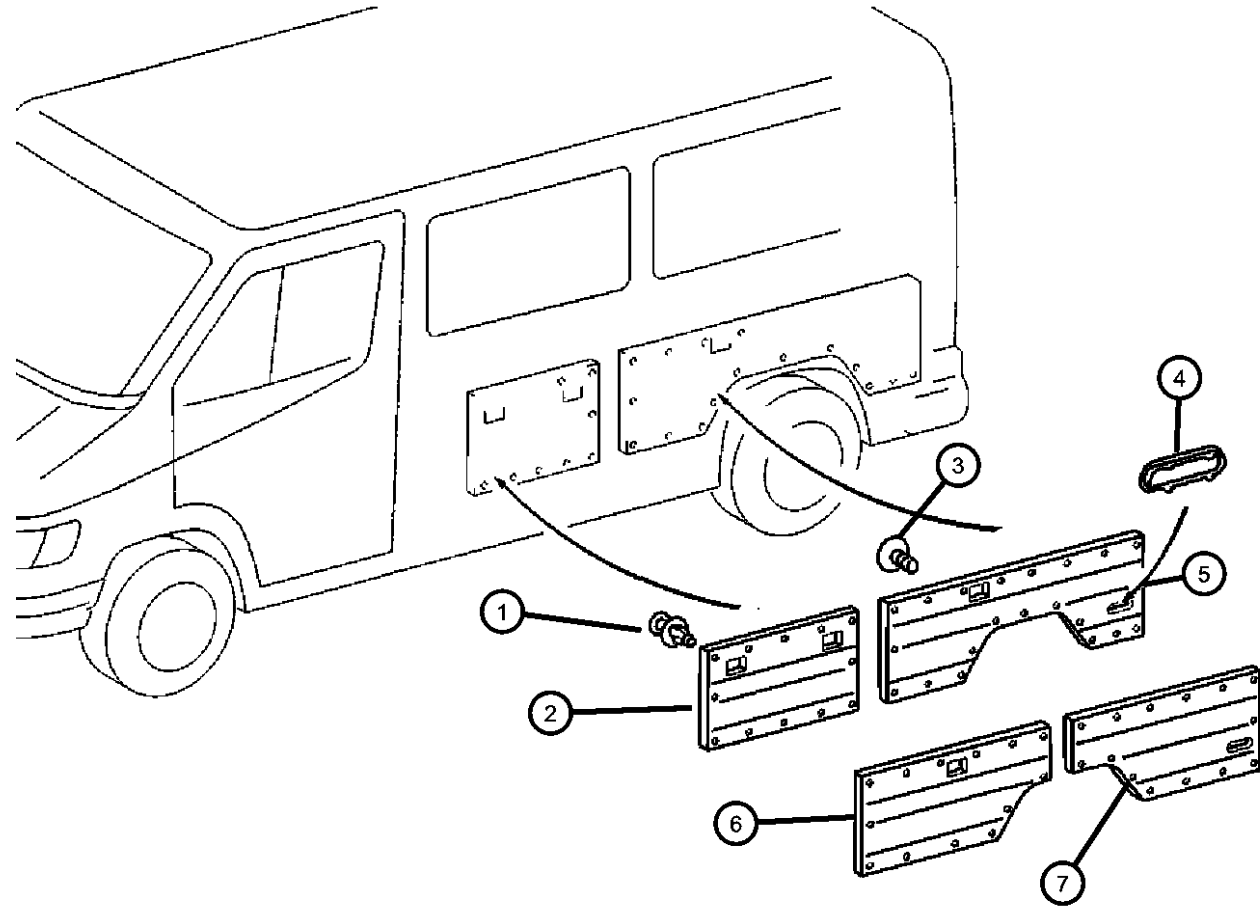
SPRINTER (VA)

SERIES	LINE	BODY	ENGINE	TRANSMISSION
L = LOWLINE	3 = HD DODGE 2WD 8 = HD DODGE 4WD 6 = Lt. Duty DODGE 4WD 2 = Med. Duty DODGE 2WD 7 = Med. Duty DODGE 4WD 4 = TRUCK	01 = CHASSIS FORWARD CONTROL W.B.1 02 = CAB CHASSIS WHEEL BASE 2 06 = CAB CHASSIS WHEEL BASE 6 11 = VAN WHEEL BASE 1 12 = VAN WHEEL BASE 2 51 = WAGON WHEEL BASE 1 52 = WAGON WHEEL BASE 2 14 = VAN WHEEL BASE 4 15 = VAN WHEEL BASE 5 54 = WAGON WHEEL BASE 4 55 = WAGON WHEEL BASE 5 56 = WAGON WHEEL BASE 6 16 = VAN WHEEL BASE 6	EX8 = 2.7L I5 Turbo Diesel Engine EX9 = 2.7L I5 Mercedes-Benz TD Engine	DGJ = 5-Speed Automatic MB Transmission DGZ = 4-Spd. Automatic MT643 Transmission

AR = use ase required - = Non illustrated part

Inner Panels - Fabric
Figure IVA-210

ITEM	PART NUMBER	QTY	LINE	SERIES	BODY	ENGINE	TRANS	TRIM	DESCRIPTION
		1	3, 7	L	12, 15, 16				Behind the Wheel Arch, Left
		1	2, 6	L	11, 12, 14, 15, 16				Behind the Wheel Arch, Right



SPRINTER (VA)

SERIES

L = LOWLINE

LINE

3 = HD DODGE 2WD
8 = HD DODGE 4WD
6 = Lt. Duty DODGE 4WD
2 = Med. Duty DODGE 2WD
7 = Med. Duty DODGE 4WD
4 = TRUCK

BODY

01 = CHASSIS FORWARD CONTROL W.B.1
02 = CAB CHASSIS WHEEL BASE 2
06 = CAB CHASSIS WHEEL BASE 6
11 = VAN WHEEL BASE 1
12 = VAN WHEEL BASE 2
51 = WAGON WHEEL BASE 1
52 = WAGON WHEEL BASE 2
14 = VAN WHEEL BASE 4
15 = VAN WHEEL BASE 5
54 = WAGON WHEEL BASE 4
55 = WAGON WHEEL BASE 5
56 = WAGON WHEEL BASE 6
16 = VAN WHEEL BASE 6

ENGINE

EX8 = 2.7L I5 Turbo Diesel Engine
EX9 = 2.7L I5 Mercedes-Benz TD Engine

TRANSMISSION

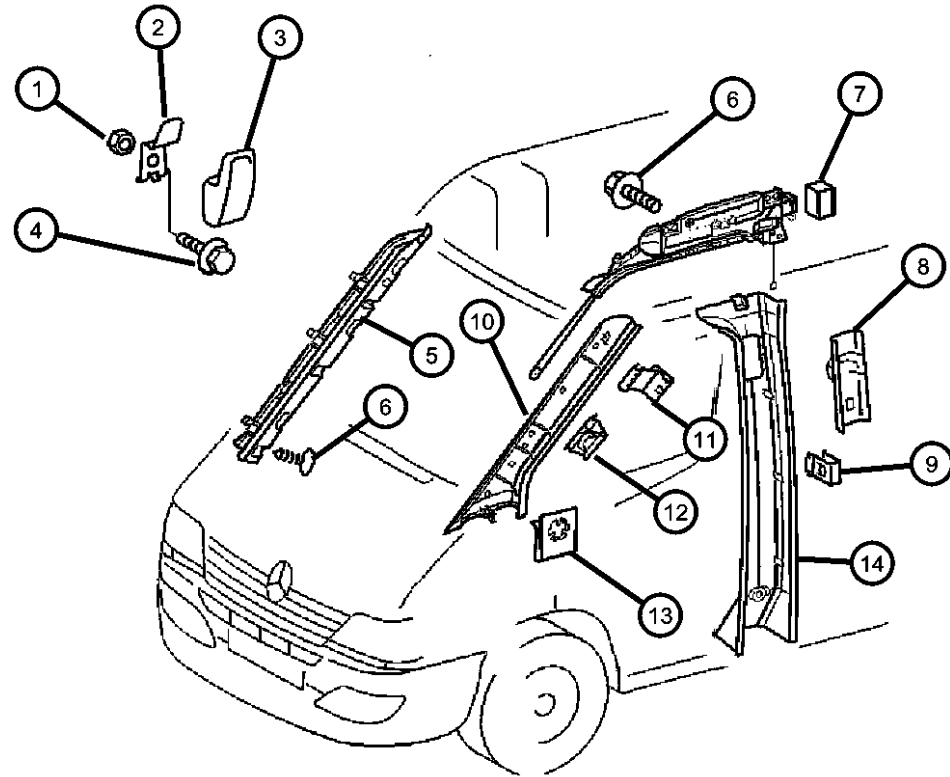
DGJ = 5-Speed Automatic MB Transmission
DGZ = 4-Spd. Automatic MT643 Transmission

AR = use ase required - = Non illustrated part

2006 VA

**Inner Panels - Cab
Figure IVA-215**

ITEM	PART NUMBER	QTY	LINE	SERIES	BODY	ENGINE	TRANS	TRIM	DESCRIPTION
1	06104724AA	1	2, 6	L	01, 02, 06				NUT, Hex
		1	3, 7	L	02, 06				
2	05124273AA	1	2, 6	L	01, 02, 06				HOOK, Coat
		1	3, 7	L	02, 06				
3	0ZF49CS8AA	1	2, 6	L	01, 02, 06			*B7	HANGER, Coat
		1	3, 7	L	02, 06			*B7	
4	06104172AA	1	2, 6	L	01, 02, 06				SCREW
		2	2, 6	L	11, 12, 14, 15, 16				
		2	2, 6	L	51, 52, 54, 55, 56				
		1	3, 7	L	02, 06				
5	05104273AA	1	3, 7	L	12, 15, 16				FILLER Right
	05123185AA	1	2, 6	L	11, 12, 14, 15, 16				Left
		1	2, 6	L	51, 52, 54, 55, 56				Left
		1	2, 6	L	11, 12, 14, 15, 16				Right
		1	2, 6	L	51, 52, 54, 55, 56				Right
		1	3, 7	L	12, 15, 16				Left
6	06104610AA	5	2, 6	L	11, 12, 14, 15, 16				SCREW
		5	2, 6	L	51, 52, 54, 55, 56				



SPRINTER (VA)

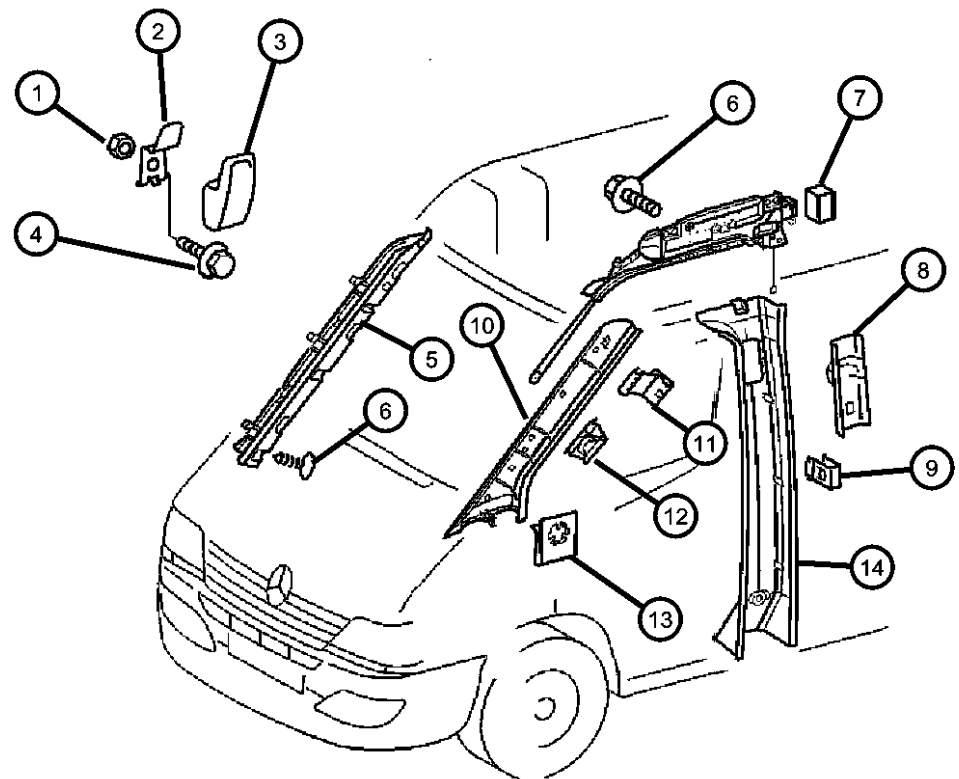
SERIES	LINE	BODY	ENGINE	TRANSMISSION
L = LOWLINE	3 = HD DODGE 2WD 8 = HD DODGE 4WD 6 = Lt. Duty DODGE 4WD 2 = Med. Duty DODGE 2WD 7 = Med. Duty DODGE 4WD 4 = TRUCK	01 = CHASSIS FORWARD CONTROL W.B.1 02 = CAB CHASSIS WHEEL BASE 2 06 = CAB CHASSIS WHEEL BASE 6 11 = VAN WHEEL BASE 1 12 = VAN WHEEL BASE 2 51 = WAGON WHEEL BASE 1 52 = WAGON WHEEL BASE 2 14 = VAN WHEEL BASE 4 15 = VAN WHEEL BASE 5 54 = WAGON WHEEL BASE 4 55 = WAGON WHEEL BASE 5 56 = WAGON WHEEL BASE 6 16 = VAN WHEEL BASE 6	EX8 = 2.7L I5 Turbo Diesel Engine EX9 = 2.7L I5 Mercedes-Benz TD Engine	DGJ = 5-Speed Automatic MB Transmission DGZ = 4-Spd. Automatic MT643 Transmission

AR = use ase required - = Non illustrated part

2006 VA

**Inner Panels - Cab
Figure IVA-215**

ITEM	PART NUMBER	QTY	LINE	SERIES	BODY	ENGINE	TRANS	TRIM	DESCRIPTION
		5	2, 6	L	01, 02, 06				
		5	3, 7	L	02, 06				
		5	3, 7	L	12, 15, 16				
7		5							SPACER, (NOT SERVICED)
8									COVER, Seat Belt Guide
	05104275AA	1	2, 6	L	11, 12, 14, 15, 16				
		1	2, 6	L	51, 52, 54, 55, 56				
		1	2, 6	L	01, 02, 06				
9									CLIP, U Type
	05125582AA	6	2, 6	L	11, 12, 14, 15, 16				
		6	3, 7	L	02, 06				
		6	2, 6	L	51, 52, 54, 55, 56				
10									PANEL, A Pillar Trim
	05123043AA	1	2, 6	L	51, 52, 54, 55, 56				With Cell Phone Prep Package, Left
		1	3, 7	L	12, 15, 16				With Cell Phone Prep Package, Left
	05104276AA	1	2, 6	L	11, 12, 14, 15, 16				Left
		1	2, 6	L	51, 52, 54, 55, 56				Left
		1	3, 7	L	12, 15, 16				Left
		1	2, 6	L	11, 12, 14, 15, 16				With Cell Phone Prep Package, Left
	05123046AA	1	2, 6	L	11, 12, 14, 15, 16				Right
		1	2, 6	L	51, 52, 54, 55, 56				Right
		1	3, 7	L	12, 15, 16				Right



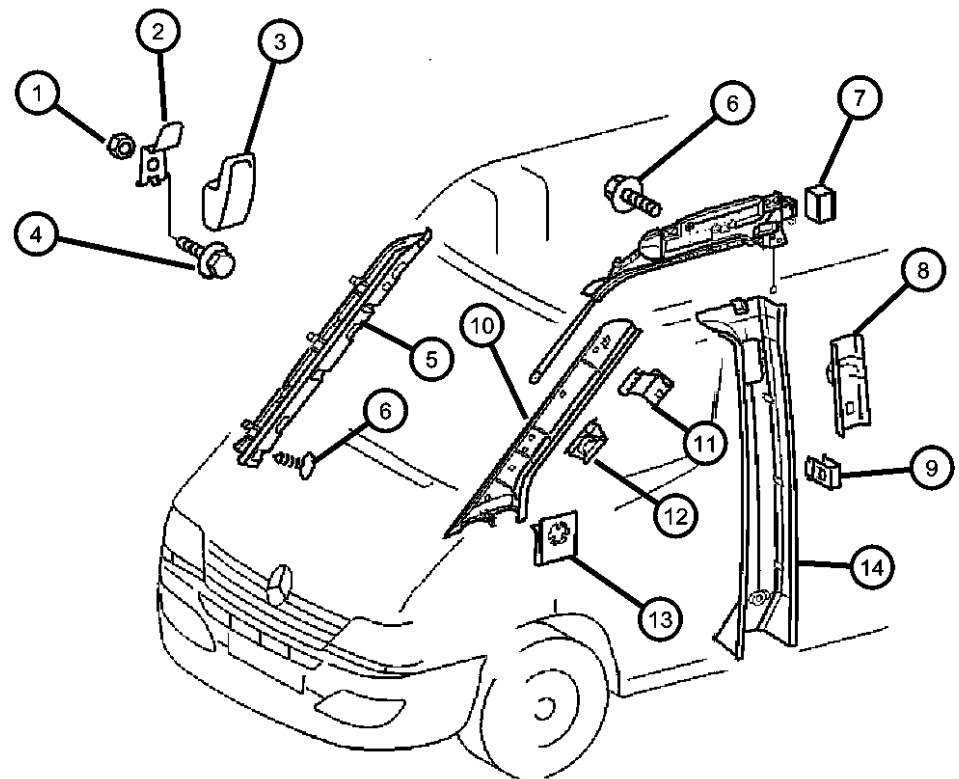
SPRINTER (VA)

SERIES	LINE	BODY	ENGINE	TRANSMISSION
L = LOWLINE	3 = HD DODGE 2WD 8 = HD DODGE 4WD 6 = Lt. Duty DODGE 4WD 2 = Med. Duty DODGE 2WD 7 = Med. Duty DODGE 4WD 4 = TRUCK	01 = CHASSIS FORWARD CONTROL W.B.1 02 = CAB CHASSIS WHEEL BASE 2 06 = CAB CHASSIS WHEEL BASE 6 11 = VAN WHEEL BASE 1 12 = VAN WHEEL BASE 2 51 = WAGON WHEEL BASE 1 52 = WAGON WHEEL BASE 2 14 = VAN WHEEL BASE 4 15 = VAN WHEEL BASE 5 54 = WAGON WHEEL BASE 4 55 = WAGON WHEEL BASE 5 56 = WAGON WHEEL BASE 6 16 = VAN WHEEL BASE 6	EX8 = 2.7L I5 Turbo Diesel Engine EX9 = 2.7L I5 Mercedes-Benz TD Engine	DGJ = 5-Speed Automatic MB Transmission DGZ = 4-Spd. Automatic MT643 Transmission

AR = use ase required - = Non illustrated part

**Inner Panels - Cab
Figure IVA-215**

ITEM	PART NUMBER	QTY	LINE	SERIES	BODY	ENGINE	TRANS	TRIM	DESCRIPTION
11		1							CLIP, (NOT SERVICED)
12									CLIP, Trim
	06104897AA	6	2, 6	L	11, 12, 14, 15, 16				
		6	2, 6	L	51, 52, 54, 55, 56				
		6	3, 7	L	12, 15, 16				
13		6							CLIP, (NOT SERVICED)
14									PANEL, B Pillar Trim
	05104288AA	1	2, 6	L	11, 12, 14, 15, 16				With Partition, Left
		1	3, 7	L	12, 15, 16				With Partition, Left
	05104289AA	1	2, 6	L	11, 12, 14, 15, 16				With Partition, With Non Passable Partition, Right
		1	3, 7	L	12, 15, 16				With Partition, With Non Passable Partition, Right
	05104290AA	1	2, 6	L	11, 12, 14, 15, 16				With Partition, With Passable Partition, Right
		1	3, 7	L	12, 15, 16				With Partition, With Passable Partition, Right
	05123275AA	1	2, 6	L	11, 12, 14, 15, 16				With Left Sliding Door, Without Grab Handle, Load Ring, Left
		1	2, 6	L	51, 52, 54, 55, 56				With Left Sliding Door, Without Grab Handle, Load Ring, Left
		1	3, 7	L	12, 15, 16				With Left Sliding Door, Without Grab Handle, Load Ring, Left
	05123285AA	1	2, 6	L	11, 12, 14, 15, 16				With Left Sliding Door and Load Ring, Without Grab Handle, Left
		1	2, 6	L	51, 52, 54, 55, 56				With Left Sliding Door and Load Ring, Without Grab Handle, Left
		1	3, 7	L	12, 15, 16				With Left Sliding Door and Load Ring, Without Grab Handle, Left
	05123287AA	1	2, 6	L	11, 12, 14, 15, 16				With Right Sliding Door and Load Ring, Without Grab Handle, Right



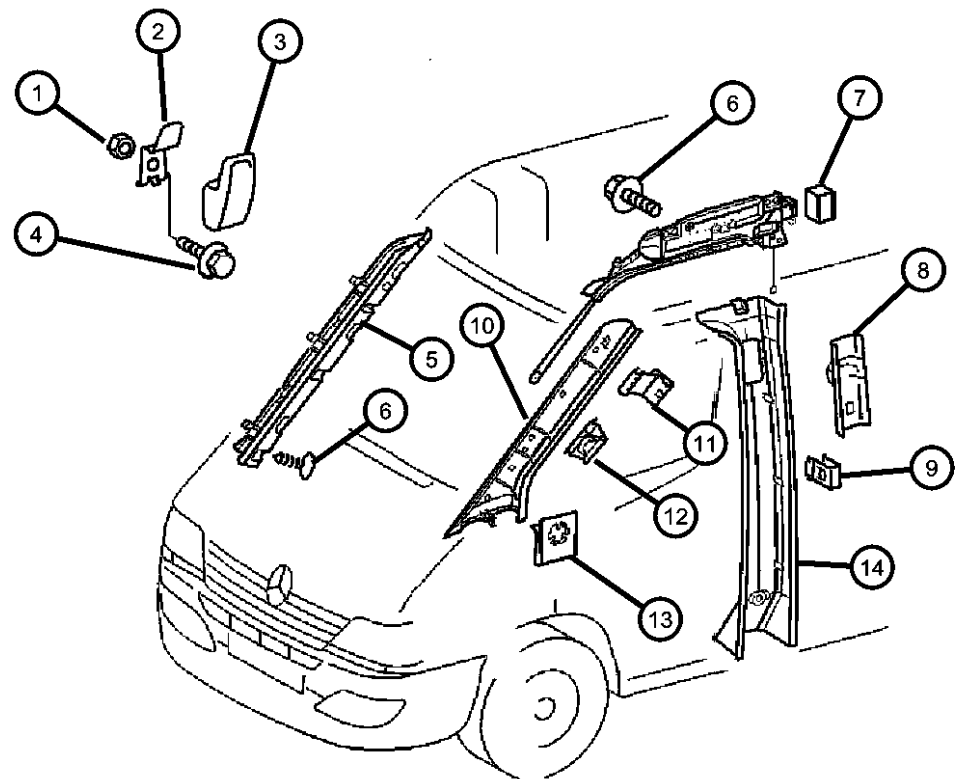
SPRINTER (VA)

SERIES	LINE	BODY	ENGINE	TRANSMISSION
L = LOWLINE	3 = HD DODGE 2WD 8 = HD DODGE 4WD 6 = Lt. Duty DODGE 4WD 2 = Med. Duty DODGE 2WD 7 = Med. Duty DODGE 4WD 4 = TRUCK	01 = CHASSIS FORWARD CONTROL W.B.1 02 = CAB CHASSIS WHEEL BASE 2 06 = CAB CHASSIS WHEEL BASE 6 11 = VAN WHEEL BASE 1 12 = VAN WHEEL BASE 2 51 = WAGON WHEEL BASE 1 52 = WAGON WHEEL BASE 2 14 = VAN WHEEL BASE 4 15 = VAN WHEEL BASE 5 54 = WAGON WHEEL BASE 4 55 = WAGON WHEEL BASE 5 56 = WAGON WHEEL BASE 6 16 = VAN WHEEL BASE 6	EX8 = 2.7L I5 Turbo Diesel Engine EX9 = 2.7L I5 Mercedes-Benz TD Engine	DGJ = 5-Speed Automatic MB Transmission DGZ = 4-Spd. Automatic MT643 Transmission

AR = use ase required - = Non illustrated part

**Inner Panels - Cab
Figure IVA-215**

ITEM	PART NUMBER	QTY	LINE	SERIES	BODY	ENGINE	TRANS	TRIM	DESCRIPTION
	05123267AA	1	2, 6	L	11, 12, 14, 15, 16				Without Left Sliding Door, Left
		1	2, 6	L	51, 52, 54, 55, 56				Without Left Sliding Door, Left
		1	3, 7	L	12, 15, 16				Without Left Sliding Door, Left
	05123306AA	1	2, 6	L	51, 52, 54, 55, 56				With Right Sliding Door and Grab Handle Without Load Ring, Right
		1	3, 7	L	12, 15, 16				With Right Sliding Door and Grab Handle Without Load Ring, Right
	05123308AA	1	2, 6	L	11, 12, 14, 15, 16				With Left Sliding Door, Grab Handle and Load Ring, Left
		1	2, 6	L	51, 52, 54, 55, 56				With Left Sliding Door, Grab Handle and Load Ring, Left
		1	3, 7	L	12, 15, 16				With Left Sliding Door, Grab Handle and Load Ring, Left
		1	2, 6	L	51, 52, 54, 55, 56				With Right Sliding Door and Load Ring, Without Grab Handle, Right
		1	3, 7	L	12, 15, 16				With Right Sliding Door and Load Ring, Without Grab Handle, Right
	05123304AA	1	2, 6	L	11, 12, 14, 15, 16				With Left Sliding Door and Grab handle Without Load Ring, Left
		1	2, 6	L	51, 52, 54, 55, 56				With Left Sliding Door and Grab handle Without Load Ring, Left
		1	3, 7	L	12, 15, 16				With Left Sliding Door and Grab handle Without Load Ring, Left
		1	2, 6	L	11, 12, 14, 15, 16				With Right Sliding Door and Grab Handle Without Load Ring, Right
	05123310AA	1	2, 6	L	11, 12, 14, 15, 16				With Right Sliding Door, Grab Handle and Load Ring, Right
		1	2, 6	L	51, 52, 54, 55, 56				With Right Sliding Door, Grab Handle and Load Ring, Right
		1	3, 7	L	12, 15, 16				With Right Sliding Door, Grab Handle and Load Ring, Right



-15

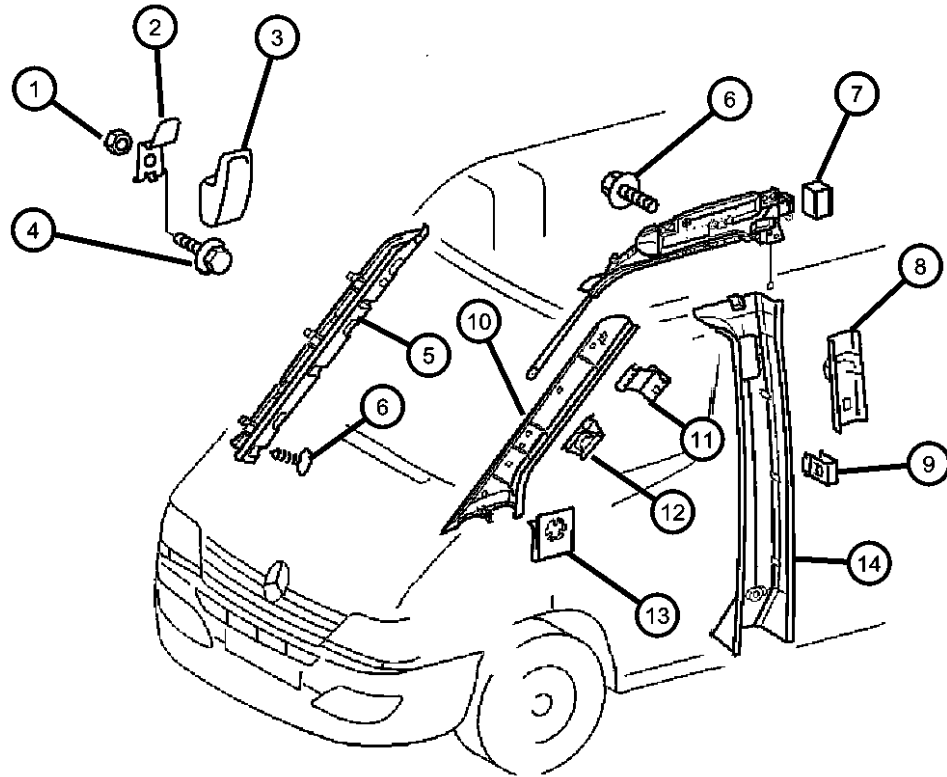
CLIP, U Type

SPRINTER (VA)				
SERIES	LINE	BODY	ENGINE	TRANSMISSION
L = LOWLINE	3 = HD DODGE 2WD 8 = HD DODGE 4WD 6 = Lt. Duty DODGE 4WD 2 = Med. Duty DODGE 2WD 7 = Med. Duty DODGE 4WD 4 = TRUCK	01 = CHASSIS FORWARD CONTROL W.B.1 02 = CAB CHASSIS WHEEL BASE 2 06 = CAB CHASSIS WHEEL BASE 6 11 = VAN WHEEL BASE 1 12 = VAN WHEEL BASE 2 51 = WAGON WHEEL BASE 1 52 = WAGON WHEEL BASE 2 14 = VAN WHEEL BASE 4 15 = VAN WHEEL BASE 5 54 = WAGON WHEEL BASE 4 55 = WAGON WHEEL BASE 5 56 = WAGON WHEEL BASE 6 16 = VAN WHEEL BASE 6	EX8 = 2.7L I5 Turbo Diesel Engine EX9 = 2.7L I5 Mercedes-Benz TD Engine	DGJ = 5-Speed Automatic MB Transmission DGZ = 4-Spd. Automatic MT643 Transmission

AR = use ase required - = Non illustrated part

Inner Panels - Cab
Figure IVA-215

ITEM	PART NUMBER	QTY	LINE	SERIES	BODY	ENGINE	TRANS	TRIM	DESCRIPTION
	05125582AA	6	2, 6	L	51, 52, 54, 55, 56				
		4	2, 6	L	01, 02, 06				
		6	2, 6	L	11, 12, 14, 15, 16				

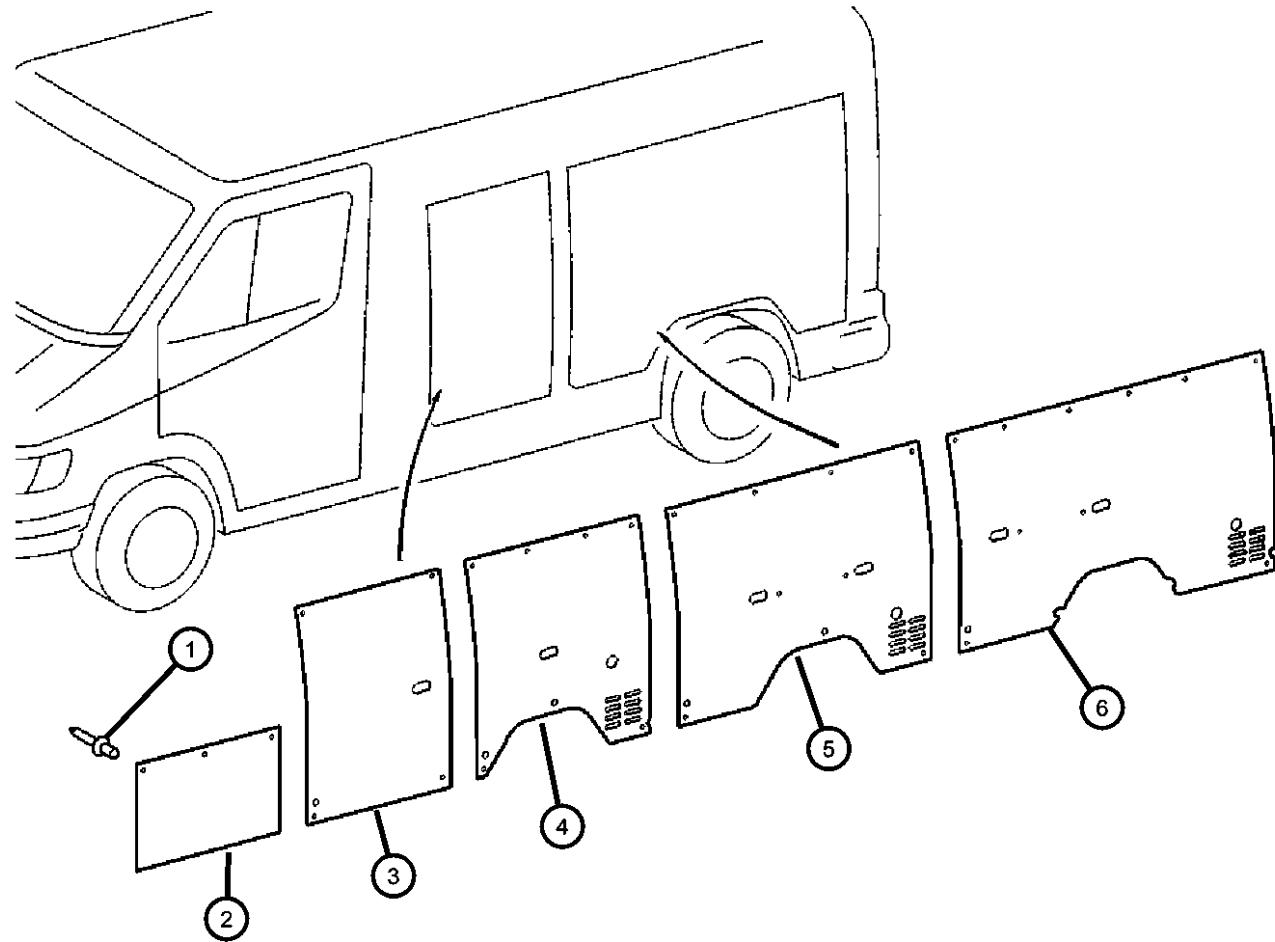


SPRINTER (VA)

SERIES	LINE	BODY	ENGINE	TRANSMISSION
L = LOWLINE	3 = HD DODGE 2WD 8 = HD DODGE 4WD 6 = Lt. Duty DODGE 4WD 2 = Med. Duty DODGE 2WD 7 = Med. Duty DODGE 4WD 4 = TRUCK	01 = CHASSIS FORWARD CONTROL W.B.1 02 = CAB CHASSIS WHEEL BASE 2 06 = CAB CHASSIS WHEEL BASE 6 11 = VAN WHEEL BASE 1 12 = VAN WHEEL BASE 2 51 = WAGON WHEEL BASE 1 52 = WAGON WHEEL BASE 2 14 = VAN WHEEL BASE 4 15 = VAN WHEEL BASE 5 54 = WAGON WHEEL BASE 4 55 = WAGON WHEEL BASE 5 56 = WAGON WHEEL BASE 6 16 = VAN WHEEL BASE 6	EX8 = 2.7L I5 Turbo Diesel Engine EX9 = 2.7L I5 Mercedes-Benz TD Engine	DGJ = 5-Speed Automatic MB Transmission DGZ = 4-Spd. Automatic MT643 Transmission

AR = use ase required - = Non illustrated part

**Inner Panels - Plywood
Figure IVA-220**



ITEM	PART NUMBER	QTY	LINE	SERIES	BODY	ENGINE	TRANS	TRIM	DESCRIPTION
1	06104865AA	10	2, 6	L	11, 12, 14, 15, 16				RIVET
		10	2, 6	L	51, 52, 54, 55, 56				
		10	3, 7	L	12, 15, 16				
2	05104295AA	1	3, 7	L	12, 15, 16				PANEL, Inner
		1	2, 6	L	11, 12, 14, 15, 16				
3	05104296AA	1	2, 6	L	11, 12, 14, 15, 16				PANEL, Inner
		1	3, 7	L	12, 15, 16				
4	05131868AA	2	2, 6	L	11, 14				PANEL, Side Trim
5	05123247AA	2	2, 6	L	12, 15				PANEL, Side Trim
		2	3, 7	L	12, 15				
6	05104294AA	2	2, 6	L	16				PANEL, Quarter Trim
		2	3, 7	L	16				

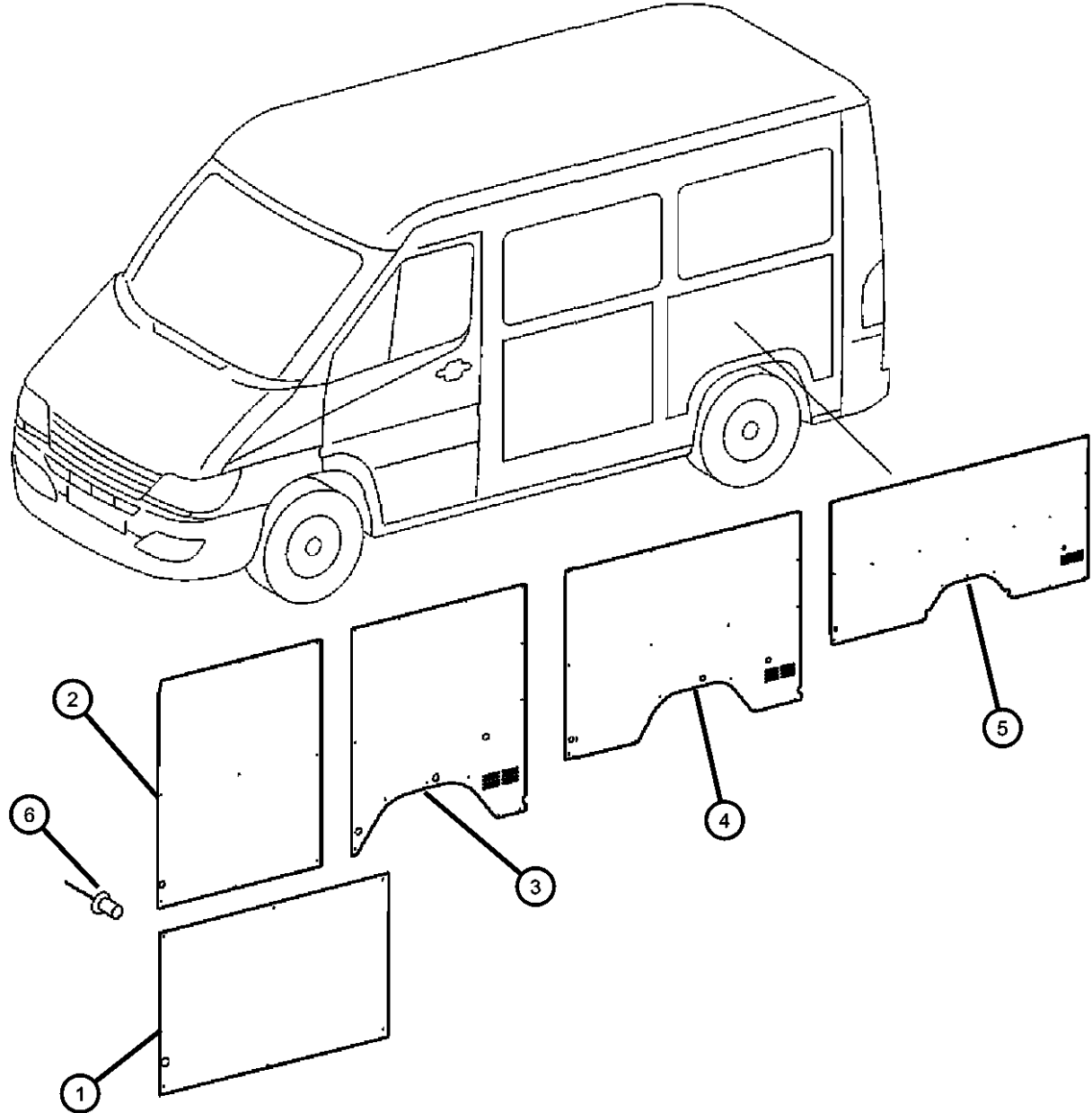
SPRINTER (VA)

SERIES	LINE	BODY	ENGINE	TRANSMISSION
L = LOWLINE	3 = HD DODGE 2WD 8 = HD DODGE 4WD 6 = Lt. Duty DODGE 4WD 2 = Med. Duty DODGE 2WD 7 = Med. Duty DODGE 4WD 4 = TRUCK	01 = CHASSIS FORWARD CONTROL W.B.1 02 = CAB CHASSIS WHEEL BASE 2 06 = CAB CHASSIS WHEEL BASE 6 11 = VAN WHEEL BASE 1 12 = VAN WHEEL BASE 2 51 = WAGON WHEEL BASE 1 52 = WAGON WHEEL BASE 2 14 = VAN WHEEL BASE 4 15 = VAN WHEEL BASE 5 54 = WAGON WHEEL BASE 4 55 = WAGON WHEEL BASE 5 56 = WAGON WHEEL BASE 6 16 = VAN WHEEL BASE 6	EX8 = 2.7L I5 Turbo Diesel Engine EX9 = 2.7L I5 Mercedes-Benz TD Engine	DGJ = 5-Speed Automatic MB Transmission DGZ = 4-Spd. Automatic MT643 Transmission

AR = use ase required - = Non illustrated part

2006 VA

**Inner Panel, Hard Fiber
Figure IVA-221**



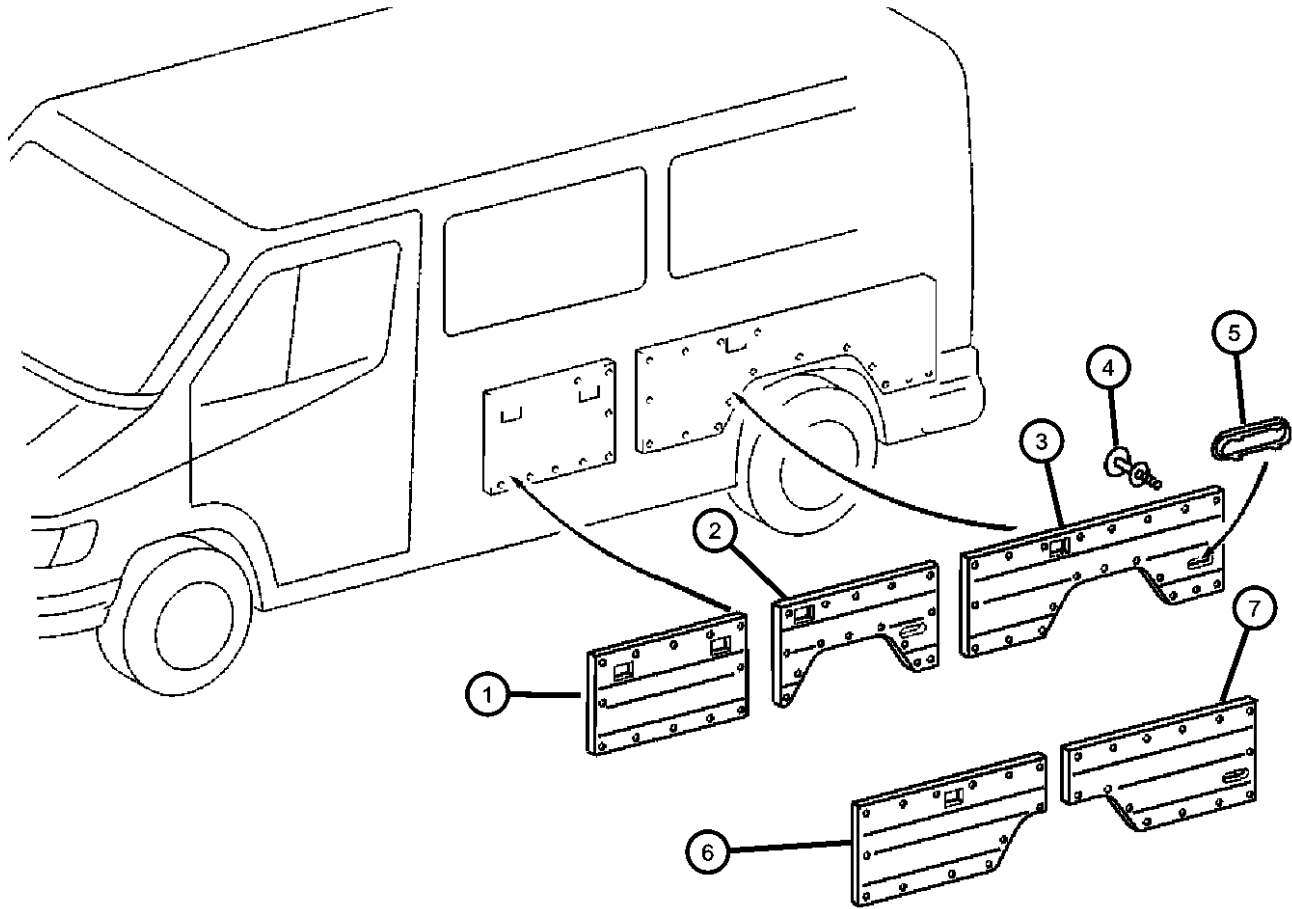
ITEM	PART NUMBER	QTY	LINE	SERIES	BODY	ENGINE	TRANS	TRIM	DESCRIPTION
1									PANEL, Cargo Compartment, Without Windows
	05123222AA	1	2, 6	L	11, 12, 14, 15, 16				
		1	3, 7	L	12, 15, 16				
2									PANEL, Cargo Compartment, Without Windows
	05123223AA	1	2, 6	L	11, 12, 14, 15, 16				
		1	3, 7	L	12, 15, 16				
3	05131857AA	2	2, 6	L	11, 14				PANEL, Quarter TrimRight & Left
4									PANEL, Quarter Trim
	05123224AA	2	2, 6	L	12, 15				Right & Left
		2	3, 7	L	12, 15				Right & Left
5									PANEL, Quarter Trim
	05123225AA	2	2, 6	L	16				Right & Left
		2	3, 7	L	16				Right & Left
6									RIVET
	06104865AA	10	2, 6	L	11, 12, 14, 15, 16				
		10	2, 6	L	51, 52, 54, 55, 56				
-7	06104117AA	10	2, 6	L	11, 12, 14, 15, 16				SCREW, Hex Head, TRIM SIDE WALL INNER
-8	05125754AA	10	2, 6	L	11, 12, 14, 15, 16				WASHER, TRIM SIDE WALL INNER

SPRINTER (VA)

SERIES	LINE	BODY	ENGINE	TRANSMISSION
L = LOWLINE	3 = HD DODGE 2WD 8 = HD DODGE 4WD 6 = Lt. Duty DODGE 4WD 2 = Med. Duty DODGE 2WD 7 = Med. Duty DODGE 4WD 4 = TRUCK	01 = CHASSIS FORWARD CONTROL W.B.1 02 = CAB CHASSIS WHEEL BASE 2 06 = CAB CHASSIS WHEEL BASE 6 11 = VAN WHEEL BASE 1 12 = VAN WHEEL BASE 2 51 = WAGON WHEEL BASE 1 52 = WAGON WHEEL BASE 2 14 = VAN WHEEL BASE 4 15 = VAN WHEEL BASE 5 54 = WAGON WHEEL BASE 4 55 = WAGON WHEEL BASE 5 56 = WAGON WHEEL BASE 6 16 = VAN WHEEL BASE 6	EX8 = 2.7L I5 Turbo Diesel Engine EX9 = 2.7L I5 Mercedes-Benz TD Engine	DGJ = 5-Speed Automatic MB Transmission DGZ = 4-Spd. Automatic MT643 Transmission

AR = use ase required - = Non illustrated part

Inner Panels
Figure IVA-225



ITEM	PART NUMBER	QTY	LINE	SERIES	BODY	ENGINE	TRANS	TRIM	DESCRIPTION
1									PANEL, Cargo compartment
	05123228AA	1	2, 6	L	11, 12, 14, 15, 16				
		1	2, 6	L	51, 52, 54, 55, 56				
		1	3, 7	L	12, 15, 16				
2									PANEL, Cargo compartment Left
	05123231AA	1	2, 6	L	11, 14				
		1	2, 6	L	51, 54				Left
	05123233AA	1	2, 6	L	11, 14				Right
		1	2, 6	L	51, 54				Right
3									PANEL, Cargo compartment 140 Inch Wheelbase, Left
	05123234AA	1	2, 6	L	12, 15				
		1	2, 6	L	52, 55				140 Inch Wheelbase, Left
		1	3, 7	L	12, 15				140 Inch Wheelbase, Left
	05123236AA	1	2, 6	L	12, 15				140 Inch Wheelbase, Right
		1	2, 6	L	52, 55				140 Inch Wheelbase, Right
		1	3, 7	L	12, 15				Right
4									PIN, Push
	05103553AA	9	2, 6	L	11, 12, 14, 15, 16				
		9	2, 6	L	51, 52, 54, 55, 56				
		9	3, 7	L	12, 15, 16				
5									EXHAUSTER, Quarter Panel
	1AS83RC3AA	2	3, 7	L	12, 15, 16				
		2	2, 6	L	11, 12, 14, 15, 16				
		2	2, 6	L	51, 52, 54, 55, 56				
6									PANEL, Cargo compartment

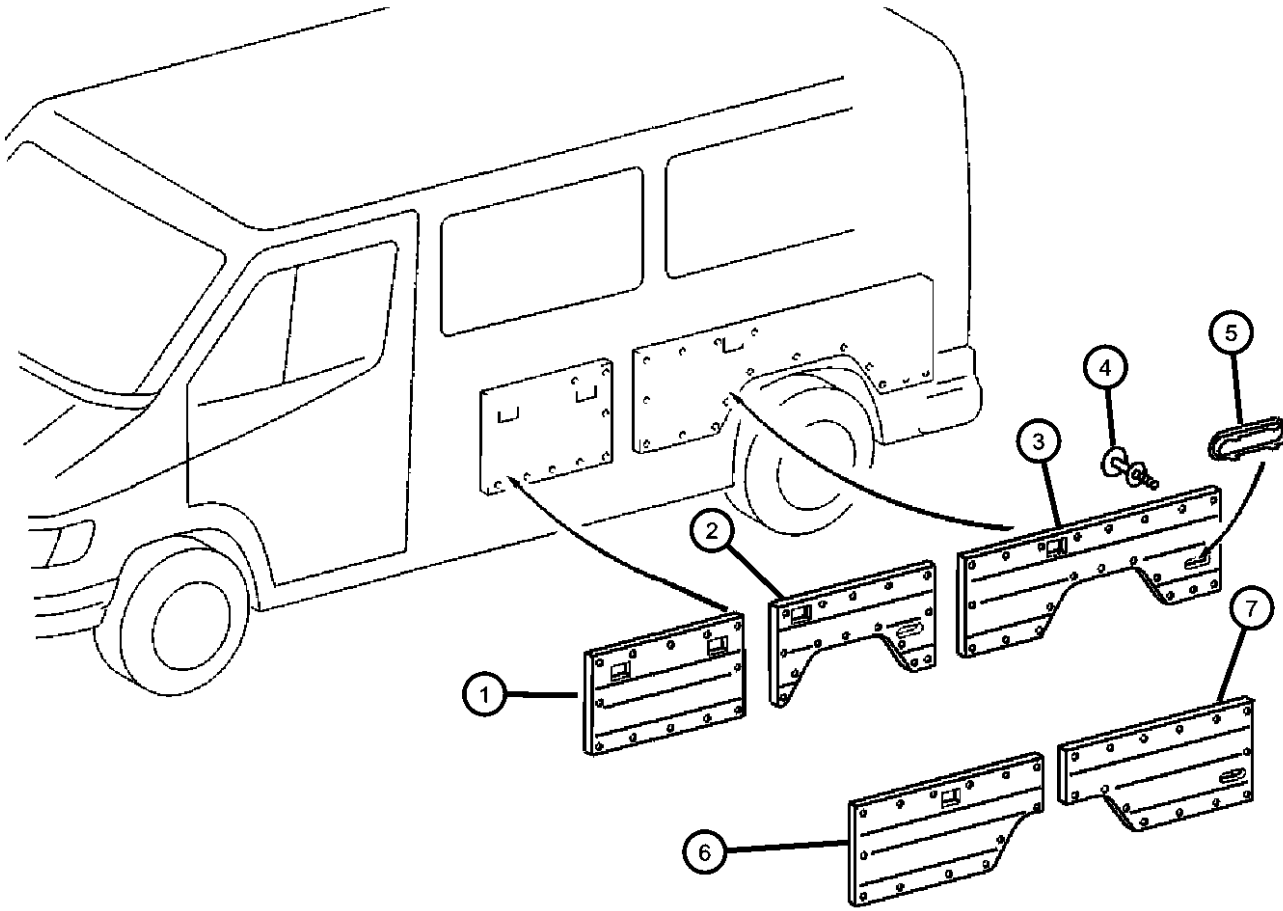
SPRINTER (VA)

SERIES	LINE	BODY	ENGINE	TRANSMISSION
L = LOWLINE	3 = HD DODGE 2WD 8 = HD DODGE 4WD 6 = Lt. Duty DODGE 4WD 2 = Med. Duty DODGE 2WD 7 = Med. Duty DODGE 4WD 4 = TRUCK	01 = CHASSIS FORWARD CONTROL W.B.1 02 = CAB CHASSIS WHEEL BASE 2 06 = CAB CHASSIS WHEEL BASE 6 11 = VAN WHEEL BASE 1 12 = VAN WHEEL BASE 2 51 = WAGON WHEEL BASE 1 52 = WAGON WHEEL BASE 2 14 = VAN WHEEL BASE 4 15 = VAN WHEEL BASE 5 54 = WAGON WHEEL BASE 4 55 = WAGON WHEEL BASE 5 56 = WAGON WHEEL BASE 6 16 = VAN WHEEL BASE 6	EX8 = 2.7L I5 Turbo Diesel Engine EX9 = 2.7L I5 Mercedes-Benz TD Engine	DGJ = 5-Speed Automatic MB Transmission DGZ = 4-Spd. Automatic MT643 Transmission

AR = use ase required - = Non illustrated part

Inner Panels
Figure IVA-225

ITEM	PART NUMBER	QTY	LINE	SERIES	BODY	ENGINE	TRANS	TRIM	DESCRIPTION
	05123238AA	1	2, 6	L	16				158 Inch Wheelbase, Left Front
		1	2, 6	L	56				158 Inch Wheelbase, Left Front
		1	3, 7	L	16				158 Inch Wheelbase, Left Front
	05123240AA	1	2, 6	L	16				158 Inch Wheelbase, Right Front
		1	2, 6	L	56				158 Inch Wheelbase, Right Front
		1	3, 7	L	16				158 Inch Wheelbase, Right Front
7									PANEL, Cargo compartment
	05123242AA	1	2, 6	L	11, 12, 14, 15, 16				158 Inch Wheelbase, Left Front
		1	2, 6	L	51, 52, 54, 55, 56				158 Inch Wheelbase, Left Front
		1	3, 7	L	12, 15, 16				158 Inch Wheelbase, Left Front
	05123243AA	1	3, 7	L	12, 15, 16				158 Inch Wheelbase, Right Front
		1	2, 6	L	11, 12, 14, 15, 16				158 Inch Wheelbase, Right Front
		1	2, 6	L	51, 52, 54, 55, 56				158 Inch Wheelbase, Right Front



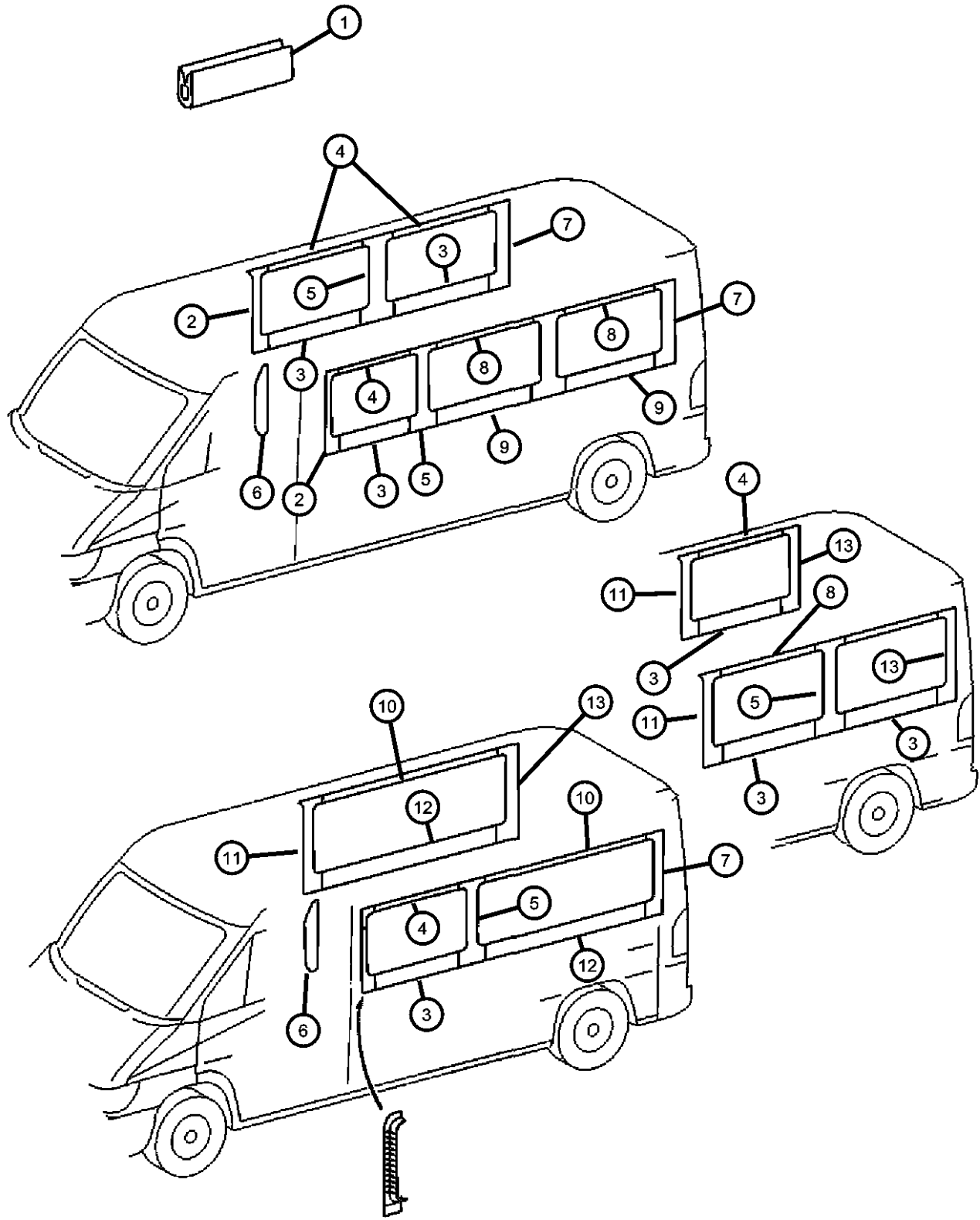
SPRINTER (VA)

SERIES	LINE	BODY	ENGINE	TRANSMISSION
L = LOWLINE	3 = HD DODGE 2WD 8 = HD DODGE 4WD 6 = Lt. Duty DODGE 4WD 2 = Med. Duty DODGE 2WD 7 = Med. Duty DODGE 4WD 4 = TRUCK	01 = CHASSIS FORWARD CONTROL W.B.1 02 = CAB CHASSIS WHEEL BASE 2 06 = CAB CHASSIS WHEEL BASE 6 11 = VAN WHEEL BASE 1 12 = VAN WHEEL BASE 2 51 = WAGON WHEEL BASE 1 52 = WAGON WHEEL BASE 2 14 = VAN WHEEL BASE 4 15 = VAN WHEEL BASE 5 54 = WAGON WHEEL BASE 4 55 = WAGON WHEEL BASE 5 56 = WAGON WHEEL BASE 6 16 = VAN WHEEL BASE 6	EX8 = 2.7L I5 Turbo Diesel Engine EX9 = 2.7L I5 Mercedes-Benz TD Engine	DGJ = 5-Speed Automatic MB Transmission DGZ = 4-Spd. Automatic MT643 Transmission

AR = use ase required - = Non illustrated part

2006 VA

Inner Paneling Window - Pillar In Cab
Figure IVA-230



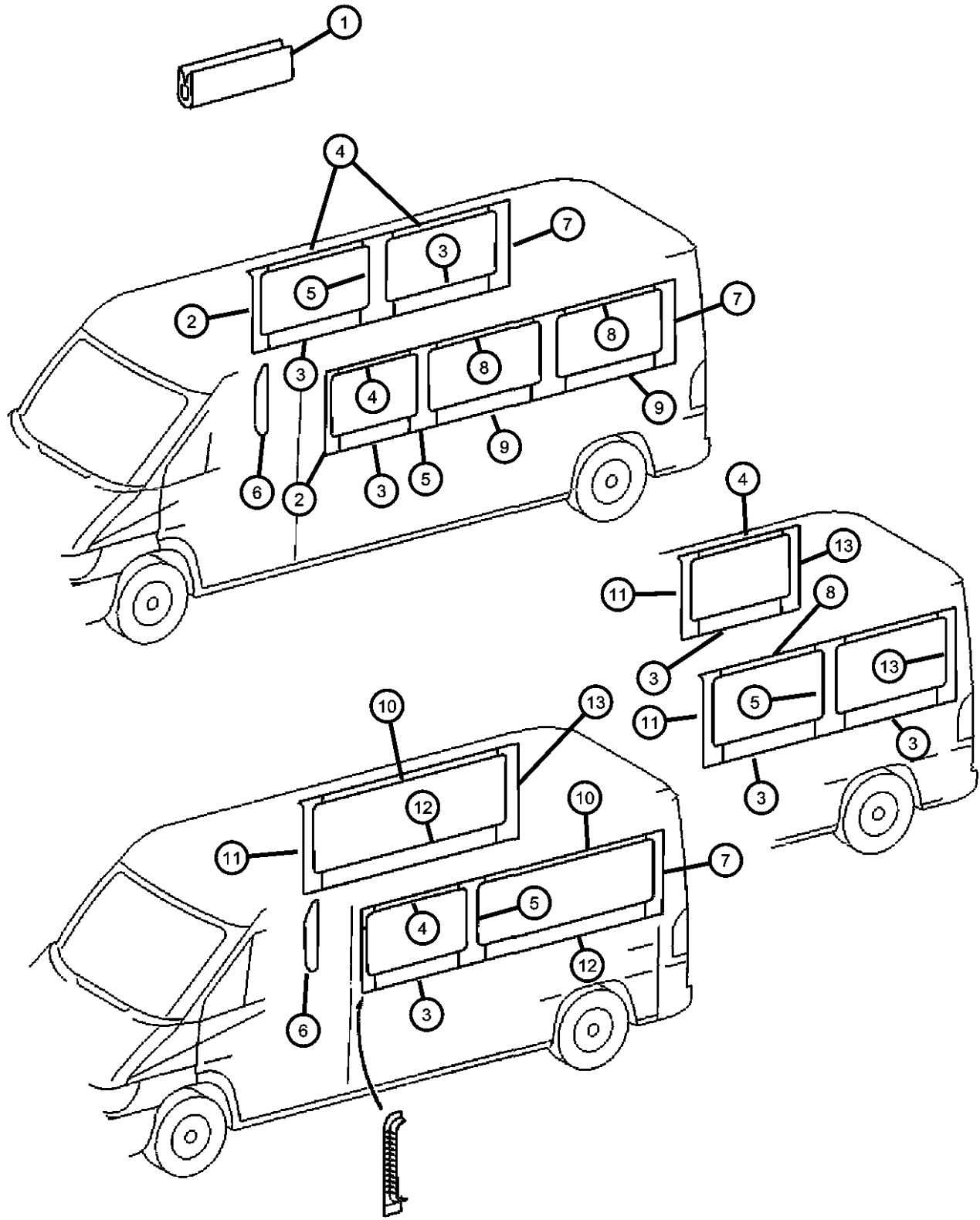
ITEM	PART NUMBER	QTY	LINE	SERIES	BODY	ENGINE	TRANS	TRIM	DESCRIPTION
1	05134108AA	200	2, 6	L	16				WEATHERSTRIP, Glass, 2 Meters Long
2	05123334AA	1	2, 6	L	11, 12, 14, 15, 16				COVER, Rear Window Moulding
3	05123366AA	1	2, 6	L	12, 15				PANEL, Lower Rear
4									PANEL, Header
	05104293AA	2	2, 6	L	11, 12, 14, 15				Upper Window
		2	2, 6	L	51, 52, 54, 55				Upper Window
		1	3, 7	L	12, 15, 16				Upper Window
5									COVER, Rear Window Moulding
	05123335AA	3	2, 6	L	56				
		3	3, 7	L	16				
6									PANEL, B Pillar Upper Trim
	05123367AA	1	3, 7	L	12, 15, 16				Right
	05123368AA	1	2, 6	L	11, 12, 14, 15, 16				Left
		1	2, 6	L	51, 52, 54, 55, 56				Left
		1	3, 7	L	12, 15, 16				Left
		1	2, 6	L	11, 12, 14, 15, 16				Right
		1	2, 6	L	51, 52, 54, 55, 56				Right
7									COVER, Rear Window Moulding
	05123337AA	1	2, 6	L	15				
		1	2, 6	L	55				
		1	3, 7	L	15				
8									PANEL, Header
	05123332AA	4	2, 6	L	11, 12, 14, 15, 16				Garnish [Medium], Upper
		4	2, 6	L	51, 52, 54, 55, 56				Garnish [Medium], Upper

SPRINTER (VA)

SERIES	LINE	BODY	ENGINE	TRANSMISSION
L = LOWLINE	3 = HD DODGE 2WD 8 = HD DODGE 4WD 6 = Lt. Duty DODGE 4WD 2 = Med. Duty DODGE 2WD 7 = Med. Duty DODGE 4WD 4 = TRUCK	01 = CHASSIS FORWARD CONTROL W.B.1 02 = CAB CHASSIS WHEEL BASE 2 06 = CAB CHASSIS WHEEL BASE 6 11 = VAN WHEEL BASE 1 12 = VAN WHEEL BASE 2 51 = WAGON WHEEL BASE 1 52 = WAGON WHEEL BASE 2 14 = VAN WHEEL BASE 4 15 = VAN WHEEL BASE 5 54 = WAGON WHEEL BASE 4 55 = WAGON WHEEL BASE 5 56 = WAGON WHEEL BASE 6 16 = VAN WHEEL BASE 6	EX8 = 2.7L I5 Turbo Diesel Engine EX9 = 2.7L I5 Mercedes-Benz TD Engine	DGJ = 5-Speed Automatic MB Transmission DGZ = 4-Spd. Automatic MT643 Transmission

AR = use ase required - = Non illustrated part

Inner Paneling Window - Pillar In Cab
Figure IVA-230



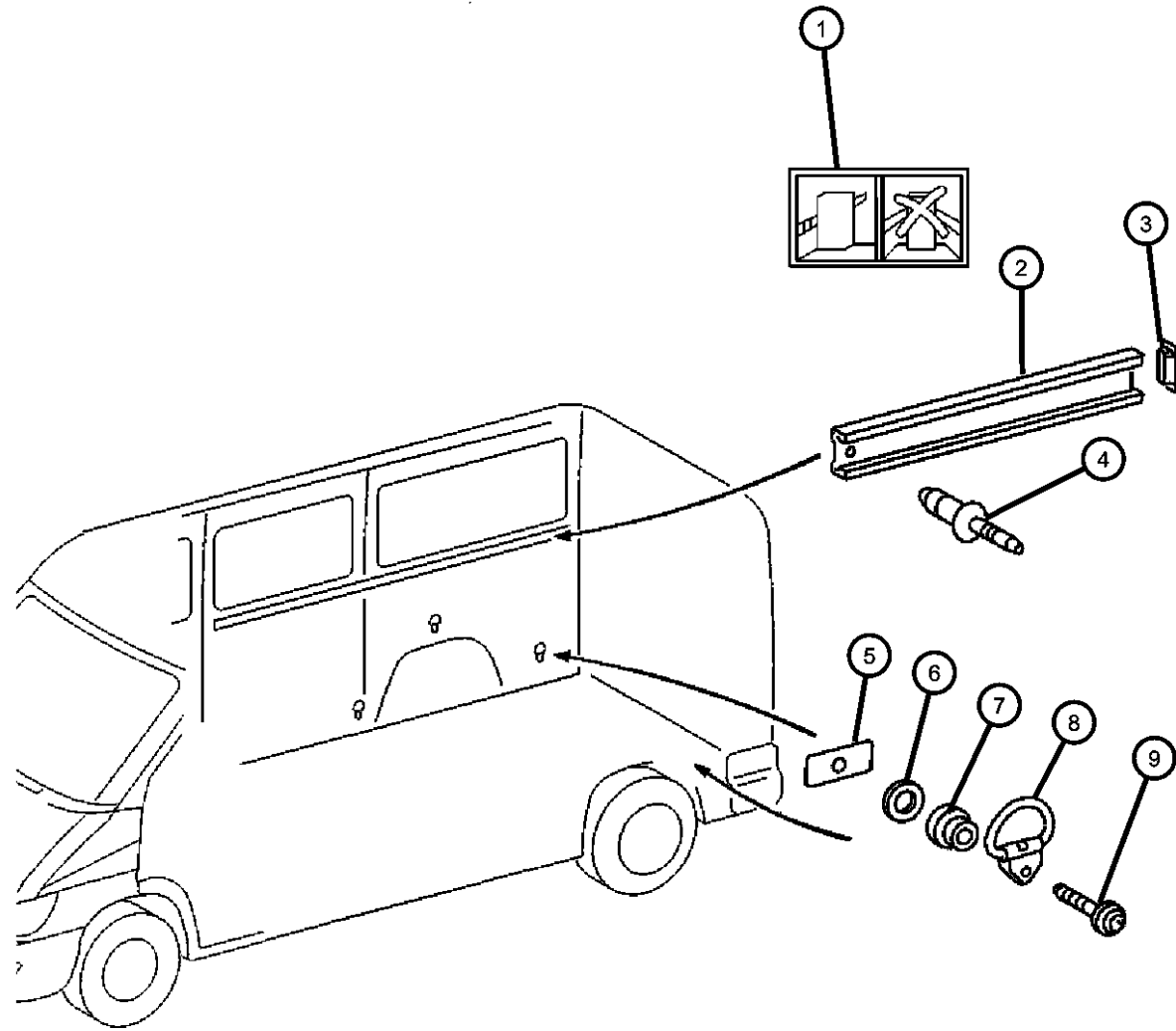
ITEM	PART NUMBER	QTY	LINE	SERIES	BODY	ENGINE	TRANS	TRIM	DESCRIPTION
9		4	3, 7	L	12, 15, 16				Garnish [Medium], Upper PANEL, Lower Rear
	05123363AA	4	2, 6	L	11, 12, 14, 15, 16				Garnish [Medium], Lower
		4	2, 6	L	51, 52, 54, 55, 56				Garnish [Medium], Lower
10		4	3, 7	L	12, 15, 16				Garnish [Medium], Lower PANEL, Header
	05123333AA	2	2, 6	L	12, 15				Garnish [Long], Upper
		2	2, 6	L	52, 55				Garnish [Long], Upper
		2	3, 7	L	12, 15				Garnish [Long], Upper
11									COVER, Rear Window Moulding
	05123362AA	1	2, 6	L	11, 12, 14, 15, 16				Vertical Molding, Right
		1	2, 6	L	51, 52, 54, 55, 56				Vertical Molding, Right
		1	3, 7	L	12, 15, 16				Vertical Molding, Right
	05123364AA	1	2, 6	L	11, 12, 14, 15, 16				Vertical Molding, Left
		1	2, 6	L	51, 52, 54, 55, 56				Vertical Molding, Left
		1	3, 7	L	12, 15, 16				Vertical Molding, Left
12									PANEL, Lower Rear
	05123369AA	2	2, 6	L	52, 55				Garnish [Long], Lower
		2	3, 7	L	12, 15				Garnish [Long], Lower
		2	2, 6	L	12, 15				Garnish [Long], Lower
13									COVER, Rear Window Moulding
	05123361AA	1	2, 6	L	15				
		1	2, 6	L	55				
		1	7, 3	L	15				

SPRINTER (VA)

SERIES	LINE	BODY	ENGINE	TRANSMISSION
L = LOWLINE	3 = HD DODGE 2WD 8 = HD DODGE 4WD 6 = Lt. Duty DODGE 4WD 2 = Med. Duty DODGE 2WD 7 = Med. Duty DODGE 4WD 4 = TRUCK	01 = CHASSIS FORWARD CONTROL W.B.1 02 = CAB CHASSIS WHEEL BASE 2 06 = CAB CHASSIS WHEEL BASE 6 11 = VAN WHEEL BASE 1 12 = VAN WHEEL BASE 2 51 = WAGON WHEEL BASE 1 52 = WAGON WHEEL BASE 2 14 = VAN WHEEL BASE 4 15 = VAN WHEEL BASE 5 54 = WAGON WHEEL BASE 4 55 = WAGON WHEEL BASE 5 56 = WAGON WHEEL BASE 6 16 = VAN WHEEL BASE 6	EX8 = 2.7L I5 Turbo Diesel Engine EX9 = 2.7L I5 Mercedes-Benz TD Engine	DGJ = 5-Speed Automatic MB Transmission DGZ = 4-Spd. Automatic MT643 Transmission

AR = use ase required - = Non illustrated part

Cargo Retainers - Without Windows
Figure IVA-235



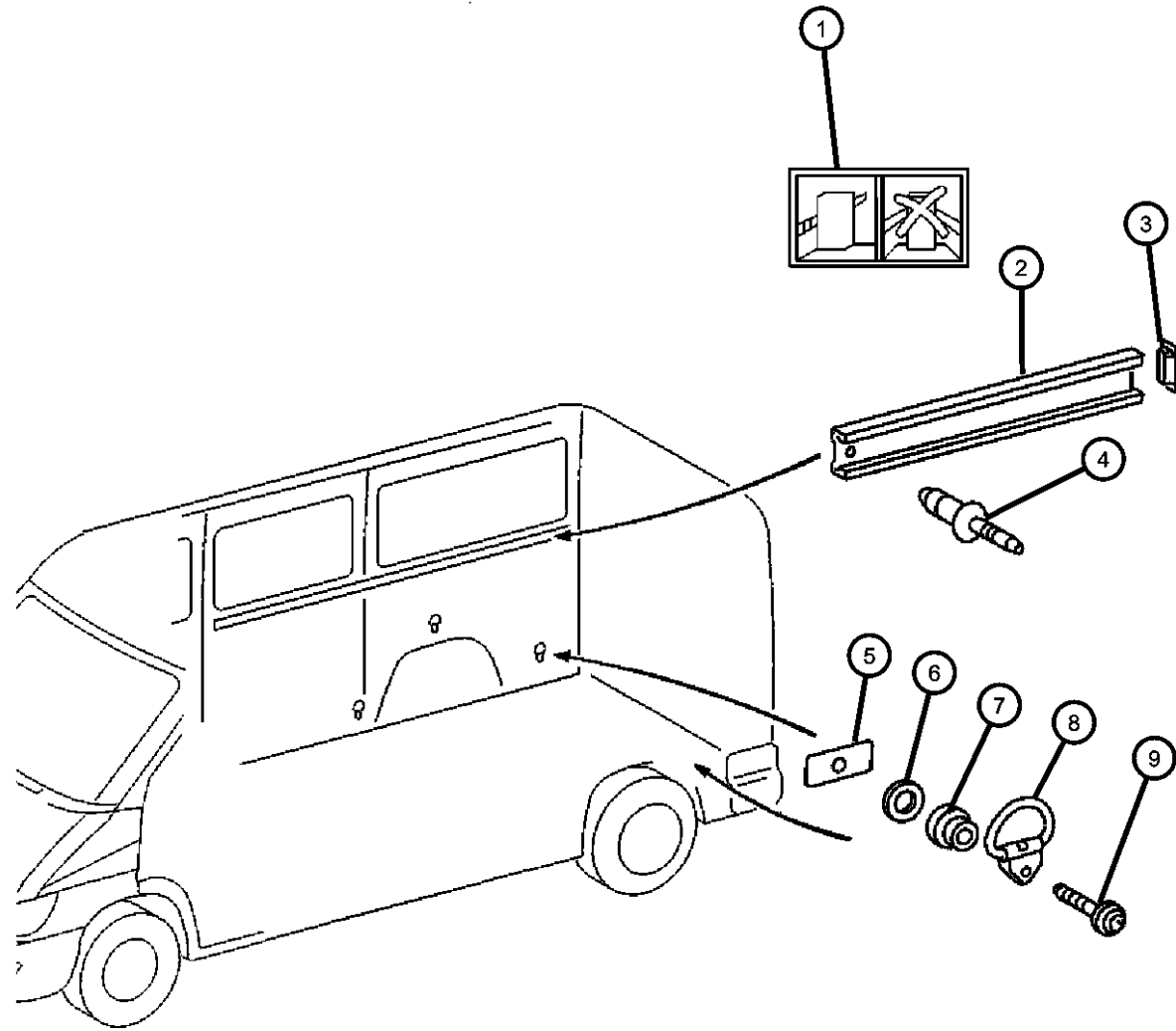
ITEM	PART NUMBER	QTY	LINE	SERIES	BODY	ENGINE	TRANS	TRIM	DESCRIPTION
1	05124356AA	1	3, 7	L	12, 15, 16				LABEL Cargo Tie Down
		1	2, 6	L	12, 15				Cargo Tie Down
2	05121437AA	1	2, 6	L	11, 12, 14, 15				RAIL Right And Left
		2	2, 6	L	16				Right And Left
		1	3, 7	L	12, 15				Right And Left
		1	3, 7	L	16				Right And Left
3	05121423AA	4	2, 6	L	11, 12, 14, 15, 16				END CAP, Side Rail Right & Left
		4	3, 7	L	12, 15, 16				Right & Left
4	05125821AA	16	2, 6	L	12, 15				RIVET
		16	3, 7	L	12, 15				
5	05103926AA	4	3, 7	L	12, 15				NUT
		4	2, 6	L	11, 12, 14, 15				
		4	2, 6	L	51, 52, 54, 55				
6	05103726AA	7	3, 7	L	12, 15				WASHER
		7	2, 6	L	11, 12, 14, 15				
		8	2, 6	L	16				
		10	2, 6	L	51, 52, 54, 55, 56				
7	05104544AA	8	3, 7	L	12, 15				BUSHING

SPRINTER (VA)

SERIES	LINE	BODY	ENGINE	TRANSMISSION
L = LOWLINE	3 = HD DODGE 2WD 8 = HD DODGE 4WD 6 = Lt. Duty DODGE 4WD 2 = Med. Duty DODGE 2WD 7 = Med. Duty DODGE 4WD 4 = TRUCK	01 = CHASSIS FORWARD CONTROL W.B.1 02 = CAB CHASSIS WHEEL BASE 2 06 = CAB CHASSIS WHEEL BASE 6 11 = VAN WHEEL BASE 1 12 = VAN WHEEL BASE 2 51 = WAGON WHEEL BASE 1 52 = WAGON WHEEL BASE 2 14 = VAN WHEEL BASE 4 15 = VAN WHEEL BASE 5 54 = WAGON WHEEL BASE 4 55 = WAGON WHEEL BASE 5 56 = WAGON WHEEL BASE 6 16 = VAN WHEEL BASE 6	EX8 = 2.7L I5 Turbo Diesel Engine EX9 = 2.7L I5 Mercedes-Benz TD Engine	DGJ = 5-Speed Automatic MB Transmission DGZ = 4-Spd. Automatic MT643 Transmission

AR = use ase required - = Non illustrated part

Cargo Retainers - Without Windows
Figure IVA-235



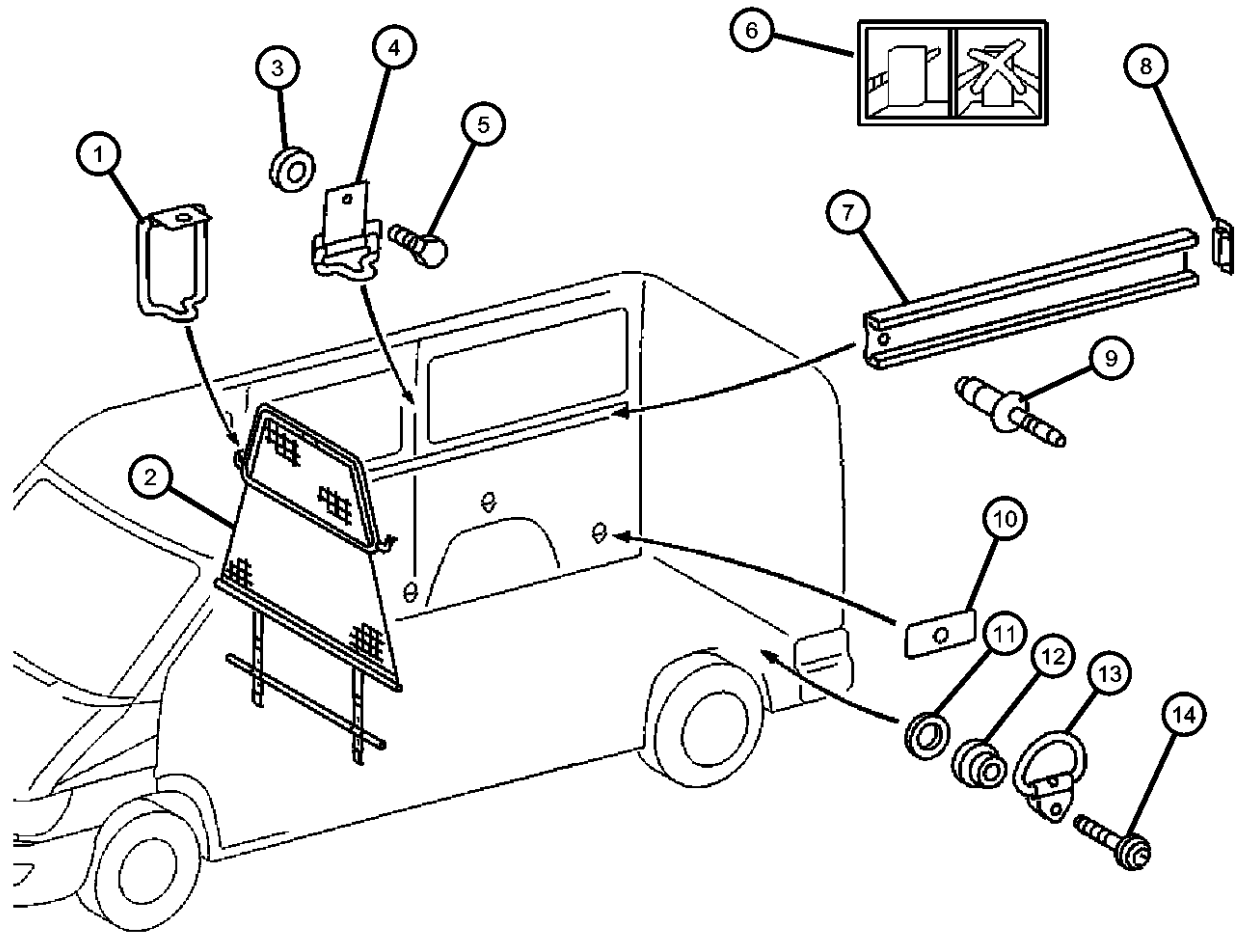
ITEM	PART NUMBER	QTY	LINE	SERIES	BODY	ENGINE	TRANS	TRIM	DESCRIPTION
		7	2, 6	L	11, 12, 14, 15				
		9	2, 6	L	16				
		8	2, 6	L	51, 52, 54, 55, 56				
8	05104500AA	8	3, 7	L	12, 15				RING, RING-RETAINER
		7	2, 6	L	11, 12, 14, 15				
		9	2, 6	L	16				
		8	2, 6	L	51, 52, 54, 55, 56				
9	05103816AA	7	2, 6	L	11, 12, 14, 15				BOLT, Hex Head
		8	2, 6	L	51, 52, 54, 55, 56				
		8	3, 7	L	12, 15				

SPRINTER (VA)

SERIES	LINE	BODY	ENGINE	TRANSMISSION
L = LOWLINE	3 = HD DODGE 2WD 8 = HD DODGE 4WD 6 = Lt. Duty DODGE 4WD 2 = Med. Duty DODGE 2WD 7 = Med. Duty DODGE 4WD 4 = TRUCK	01 = CHASSIS FORWARD CONTROL W.B.1 02 = CAB CHASSIS WHEEL BASE 2 06 = CAB CHASSIS WHEEL BASE 6 11 = VAN WHEEL BASE 1 12 = VAN WHEEL BASE 2 51 = WAGON WHEEL BASE 1 52 = WAGON WHEEL BASE 2 14 = VAN WHEEL BASE 4 15 = VAN WHEEL BASE 5 54 = WAGON WHEEL BASE 4 55 = WAGON WHEEL BASE 5 56 = WAGON WHEEL BASE 6 16 = VAN WHEEL BASE 6	EX8 = 2.7L I5 Turbo Diesel Engine EX9 = 2.7L I5 Mercedes-Benz TD Engine	DGJ = 5-Speed Automatic MB Transmission DGZ = 4-Spd. Automatic MT643 Transmission

AR = use ase required - = Non illustrated part

Cargo Retainers - With Windows
Figure IVA-240



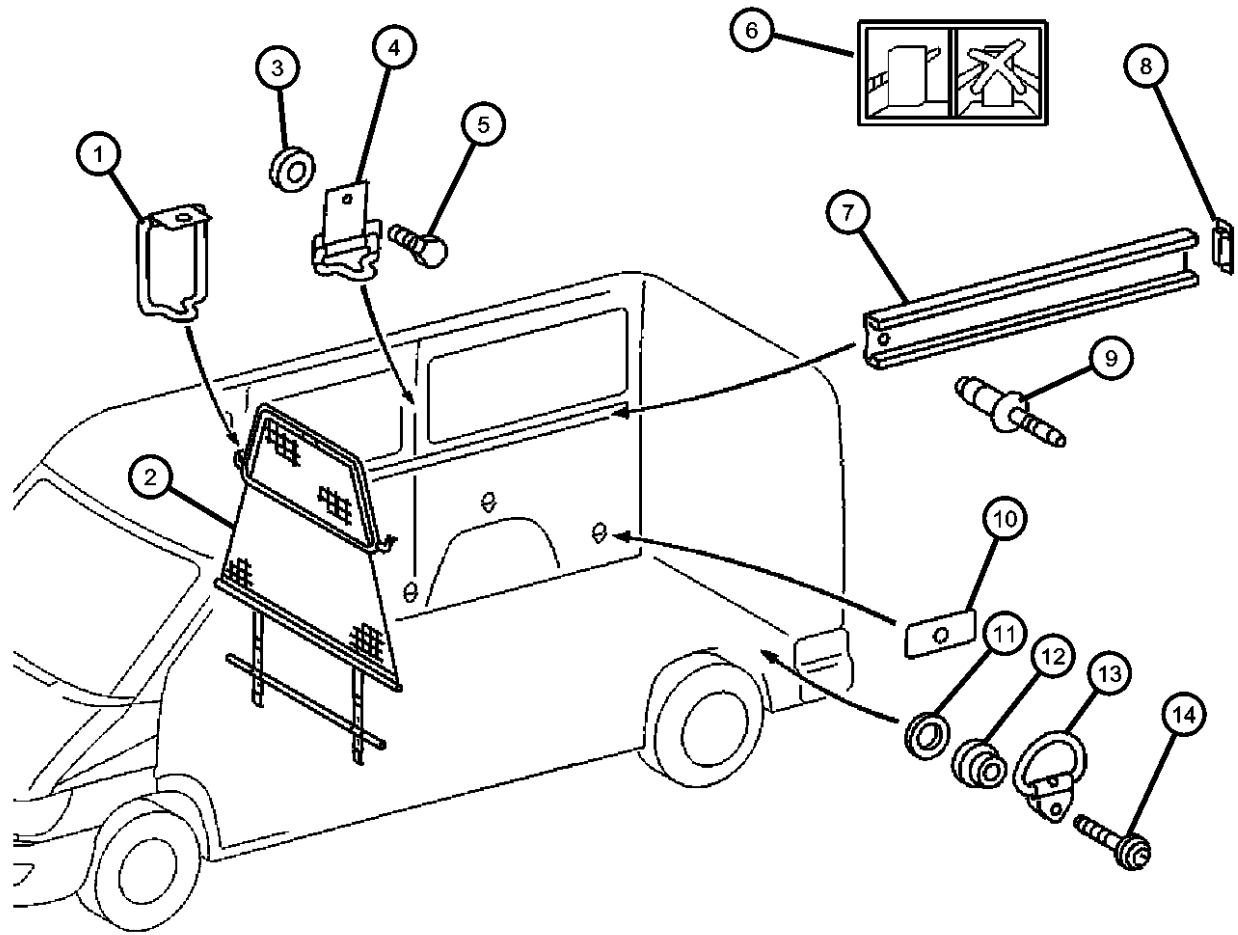
ITEM	PART NUMBER	QTY	LINE	SERIES	BODY	ENGINE	TRANS	TRIM	DESCRIPTION
1		8							BRACKET, (NOT SERVICED)
2		8							GRILLE, Texture, (NOT SERVICED)
3									WASHER, Flat, M8
	05133977AA	1	2, 6	L	01, 02, 06				
		1	2, 6	L	11, 12, 14, 15, 16				
		1	2, 6	L	51, 52, 54, 55, 56				
4		1							BRACKET, (NOT SERVICED)
5									BOLT, Hex Head
	05126227AA	2	2, 6	L	01, 02, 06				
		2	2, 6	L	11, 12, 14, 15, 16				
		2	2, 6	L	51, 52, 54, 55, 56				
6	05124356AA	1	2, 6	L	12, 15				LABEL, Cargo Tie Down
7									RAIL
	05121437AA	1	2, 6	L	12, 15				Cargo Retaining
		1	2, 6	L	11, 14, 16				Cargo Retaining
		1	3, 7	L	12, 15				Cargo Retaining
		1	3, 7	L	16				Cargo Retaining
8									END CAP, Side Rail
	05121423AA	4	2, 6	L	11, 12, 14, 15, 16				Right & Left
		4	3, 7	L	12, 15, 16				Right & Left
9									RIVET
	05125821AA	22	2, 6	L	16				
		13	2, 6	L	11, 14				
		16	2, 6	L	12, 15				
		16	3, 7	L	12, 15				

SPRINTER (VA)

SERIES	LINE	BODY	ENGINE	TRANSMISSION
L = LOWLINE	3 = HD DODGE 2WD 8 = HD DODGE 4WD 6 = Lt. Duty DODGE 4WD 2 = Med. Duty DODGE 2WD 7 = Med. Duty DODGE 4WD 4 = TRUCK	01 = CHASSIS FORWARD CONTROL W.B.1 02 = CAB CHASSIS WHEEL BASE 2 06 = CAB CHASSIS WHEEL BASE 6 11 = VAN WHEEL BASE 1 12 = VAN WHEEL BASE 2 51 = WAGON WHEEL BASE 1 52 = WAGON WHEEL BASE 2 14 = VAN WHEEL BASE 4 15 = VAN WHEEL BASE 5 54 = WAGON WHEEL BASE 4 55 = WAGON WHEEL BASE 5 56 = WAGON WHEEL BASE 6 16 = VAN WHEEL BASE 6	EX8 = 2.7L I5 Turbo Diesel Engine EX9 = 2.7L I5 Mercedes-Benz TD Engine	DGJ = 5-Speed Automatic MB Transmission DGZ = 4-Spd. Automatic MT643 Transmission

AR = use ase required - = Non illustrated part

Cargo Retainers - With Windows
Figure IVA-240



ITEM	PART NUMBER	QTY	LINE	SERIES	BODY	ENGINE	TRANS	TRIM	DESCRIPTION
		22	3, 7	L	16				
10									NUT
	05103926AA	4	2, 6	L	11, 12, 14, 15				
		3	2, 6	L	16				
		4	2, 6	L	51, 52, 54, 55				
		3	2, 6	L	56				
		2	3, 7	L	12, 15, 16				
11									WASHER
	05103726AA	7	2, 6	L	11, 12, 14, 15				
		8	2, 6	L	51, 52, 54, 55, 56				
		7	3, 7	L	12, 15				
		10	3, 7	L	16				
12									BUSHING
	05104544AA	7	2, 6	L	11, 12, 14, 15				
		8	2, 6	L	51, 52, 54, 55, 56				
		7	3, 7	L	12, 15				
13									RING, RING-RETAINER
	05104500AA	7	2, 6	L	11, 12, 14, 15				
		8	2, 6	L	51, 52, 54, 55, 56				
		7	3, 7	L	12, 15				
		9	3, 7	L	16				
14									BOLT, Hex Head
	05103816AA	7	2, 6	L	11, 12, 14, 15				

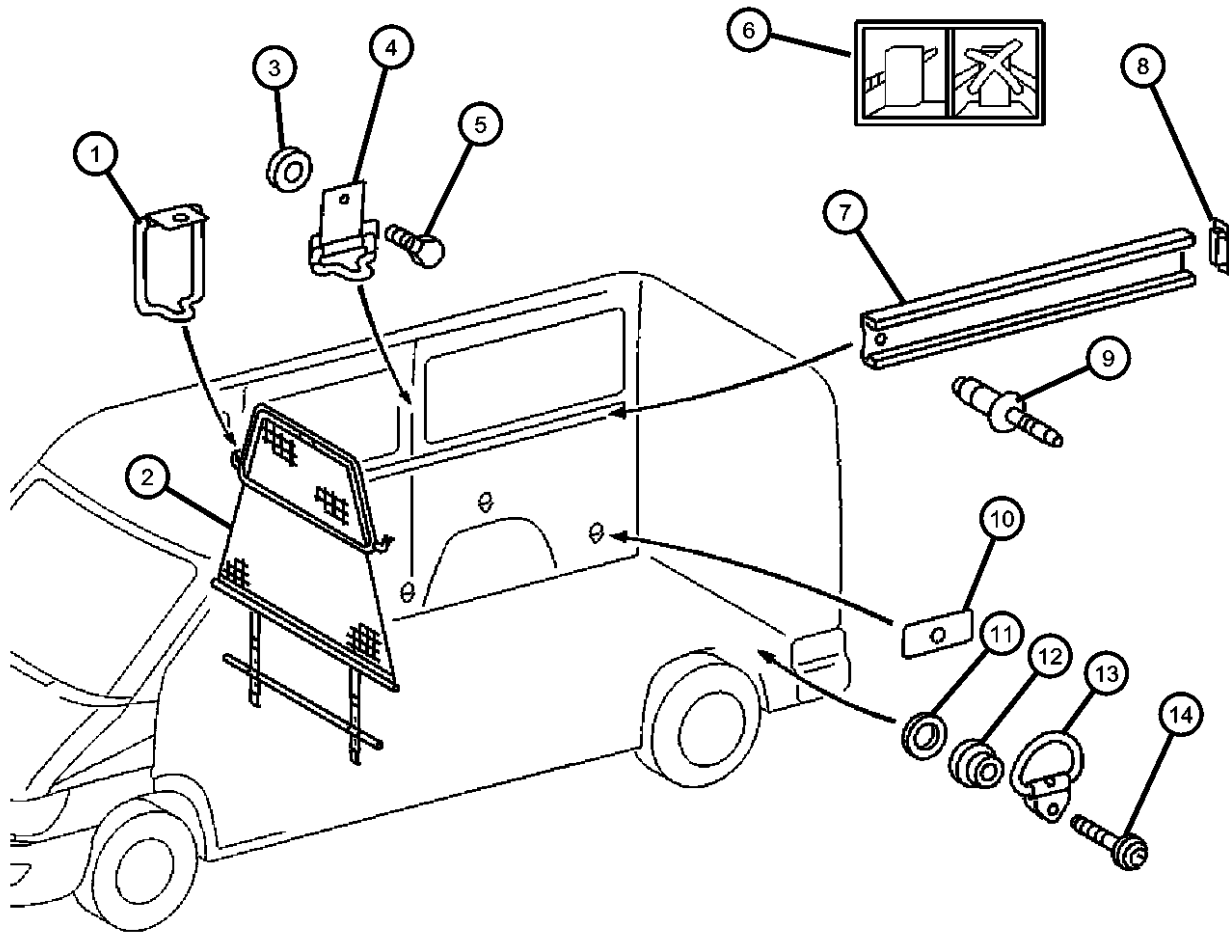
SPRINTER (VA)

SERIES	LINE	BODY	ENGINE	TRANSMISSION
L = LOWLINE	3 = HD DODGE 2WD 8 = HD DODGE 4WD 6 = Lt. Duty DODGE 4WD 2 = Med. Duty DODGE 2WD 7 = Med. Duty DODGE 4WD 4 = TRUCK	01 = CHASSIS FORWARD CONTROL W.B.1 02 = CAB CHASSIS WHEEL BASE 2 06 = CAB CHASSIS WHEEL BASE 6 11 = VAN WHEEL BASE 1 12 = VAN WHEEL BASE 2 51 = WAGON WHEEL BASE 1 52 = WAGON WHEEL BASE 2 14 = VAN WHEEL BASE 4 15 = VAN WHEEL BASE 5 54 = WAGON WHEEL BASE 4 55 = WAGON WHEEL BASE 5 56 = WAGON WHEEL BASE 6 16 = VAN WHEEL BASE 6	EX8 = 2.7L I5 Turbo Diesel Engine EX9 = 2.7L I5 Mercedes-Benz TD Engine	DGJ = 5-Speed Automatic MB Transmission DGZ = 4-Spd. Automatic MT643 Transmission

AR = use ase required - = Non illustrated part

Cargo Retainers - With Windows
Figure IVA-240

ITEM	PART NUMBER	QTY	LINE	SERIES	BODY	ENGINE	TRANS	TRIM	DESCRIPTION
		8	2, 6	L	16				
		8	2, 6	L	51, 52, 54, 55, 56				
		7	3, 7	L	12, 15				
		9	3, 7	L	16				
-15									PARTITION, Cargo
	05104317AA	1	3, 7	L	15, 16				Left
		1	2, 6	L	14, 15, 16				Left
	05104318AA	1	2, 6	L	14, 15, 16				Right
		1	3, 7	L	15, 16				Right



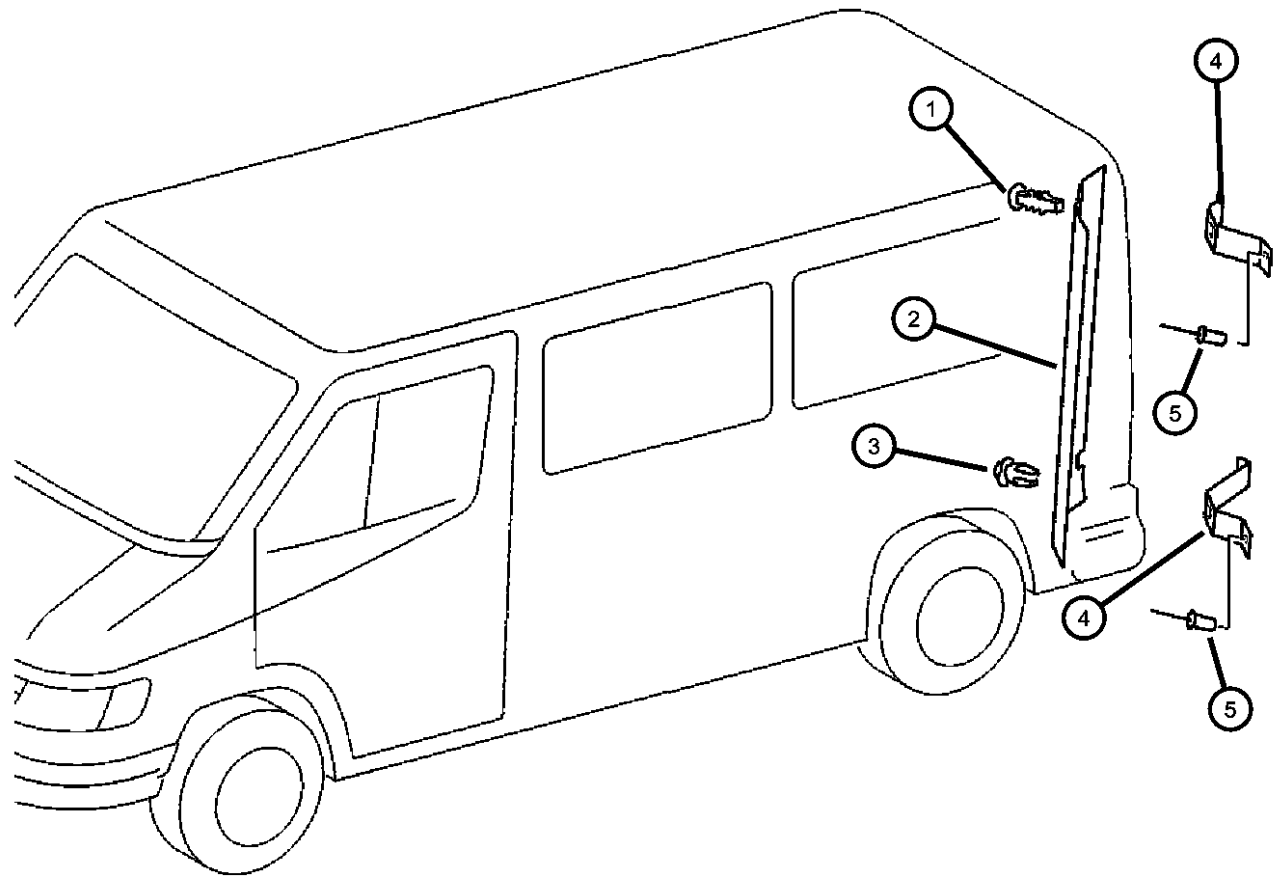
SPRINTER (VA)

SERIES	LINE	BODY	ENGINE	TRANSMISSION
L = LOWLINE	3 = HD DODGE 2WD 8 = HD DODGE 4WD 6 = Lt. Duty DODGE 4WD 2 = Med. Duty DODGE 2WD 7 = Med. Duty DODGE 4WD 4 = TRUCK	01 = CHASSIS FORWARD CONTROL W.B.1 02 = CAB CHASSIS WHEEL BASE 2 06 = CAB CHASSIS WHEEL BASE 6 11 = VAN WHEEL BASE 1 12 = VAN WHEEL BASE 2 51 = WAGON WHEEL BASE 1 52 = WAGON WHEEL BASE 2 14 = VAN WHEEL BASE 4 15 = VAN WHEEL BASE 5 54 = WAGON WHEEL BASE 4 55 = WAGON WHEEL BASE 5 56 = WAGON WHEEL BASE 6 16 = VAN WHEEL BASE 6	EX8 = 2.7L I5 Turbo Diesel Engine EX9 = 2.7L I5 Mercedes-Benz TD Engine	DGJ = 5-Speed Automatic MB Transmission DGZ = 4-Spd. Automatic MT643 Transmission

AR = use ase required - = Non illustrated part

2006 VA

**Rear Pillar Inner Panel
Figure IVA-245**



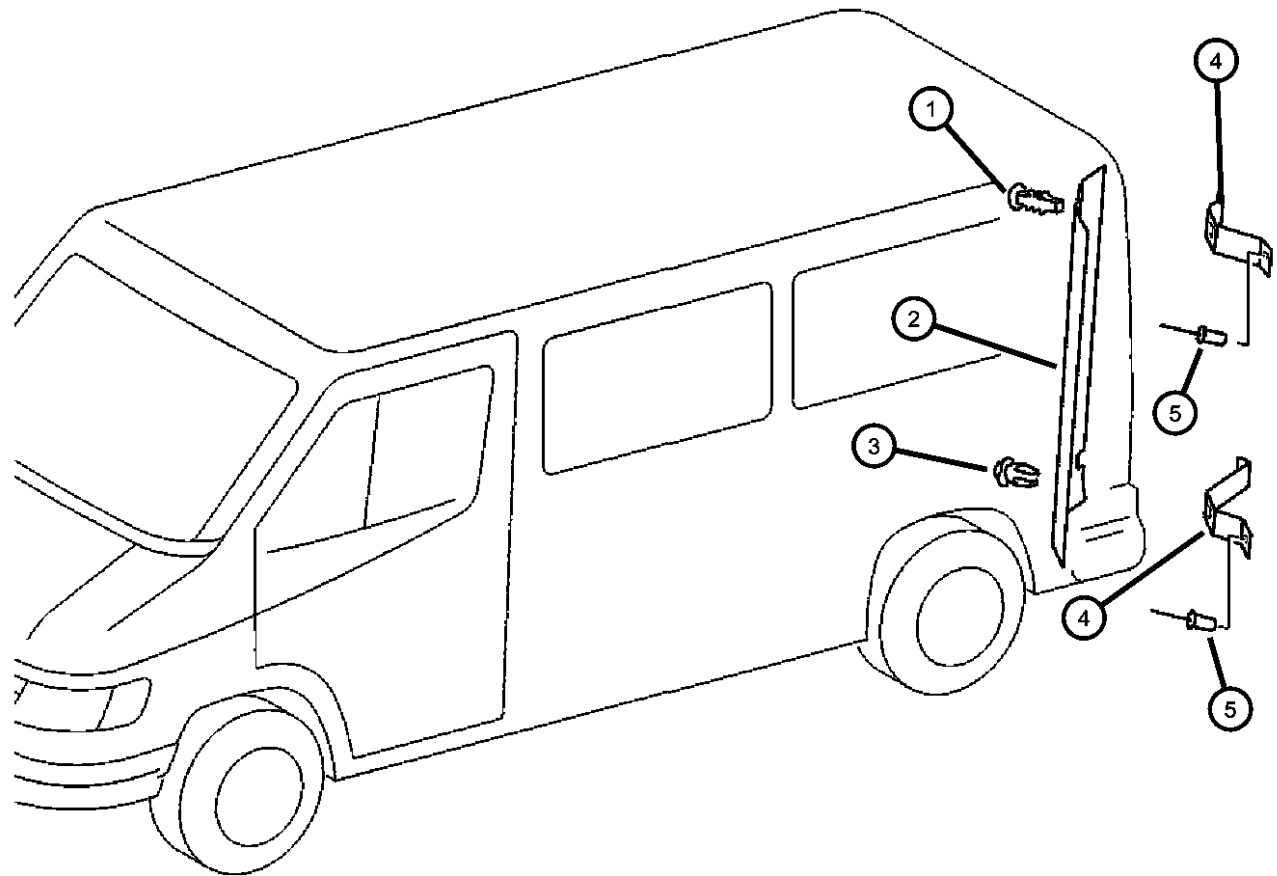
ITEM	PART NUMBER	QTY	LINE	SERIES	BODY	ENGINE	TRANS	TRIM	DESCRIPTION
1									PIN, Push
	05103814AA	3	2, 6	L	11, 12, 14, 15, 16				
		3	2, 6	L	51, 52, 54, 55, 56				
		3	3, 7	L	12, 15, 16				
2									PANEL, D Pillar Trim
	05104291AA	1	2, 6	L	11, 12, 14, 15, 16				With Grab Handles and Without Load Rings, Left
		1	2, 6	L	51, 52, 54, 55, 56				With Grab Handles and Without Load Rings, Left
		1	3, 7	L	12, 15, 16				With Grab Handles and Without Load Rings, Left
	05104292AA	1	2, 6	L	11, 12, 14, 15, 16				With Grab Handles and Without Load Rings, Right
		1	2, 6	L	51, 52, 54, 55, 56				With Grab Handles and Without Load Rings, Right
		1	3, 7	L	12, 15, 16				With Grab Handles and Without Load Rings, Right
	05123318AA	1	2, 6	L	11, 12, 14, 15, 16				Without Grab Handles and Load Rings, Left Rear
		1	2, 6	L	51, 52, 54, 55, 56				Without Grab Handles and Load Rings, Left Rear
		1	3, 7	L	12, 15, 16				Without Grab Handles and Load Rings, Left Rear
	05123320AA	1	2, 6	L	11, 12, 14, 15, 16				Without Grab Handles and Load Rings, Right Rear
		1	2, 6	L	51, 52, 54, 55, 56				Without Grab Handles and Load Rings, Right Rear
		1	3, 7	L	12, 15, 16				Without Grab Handles and Load Rings, Right Rear
	05123324AA	1	2, 6	L	11, 12, 14, 15, 16				With Load Rings Without Grab Handles, Left
		1	2, 6	L	51, 52, 54, 55, 56				With Load Rings Without Grab Handles, Left
		1	3, 7	L	12, 15, 16				With Load Rings Without Grab Handles, Left

SPRINTER (VA)

SERIES	LINE	BODY	ENGINE	TRANSMISSION
L = LOWLINE	3 = HD DODGE 2WD 8 = HD DODGE 4WD 6 = Lt. Duty DODGE 4WD 2 = Med. Duty DODGE 2WD 7 = Med. Duty DODGE 4WD 4 = TRUCK	01 = CHASSIS FORWARD CONTROL W.B.1 02 = CAB CHASSIS WHEEL BASE 2 06 = CAB CHASSIS WHEEL BASE 6 11 = VAN WHEEL BASE 1 12 = VAN WHEEL BASE 2 51 = WAGON WHEEL BASE 1 52 = WAGON WHEEL BASE 2 14 = VAN WHEEL BASE 4 15 = VAN WHEEL BASE 5 54 = WAGON WHEEL BASE 4 55 = WAGON WHEEL BASE 5 56 = WAGON WHEEL BASE 6 16 = VAN WHEEL BASE 6	EX8 = 2.7L I5 Turbo Diesel Engine EX9 = 2.7L I5 Mercedes-Benz TD Engine	DGJ = 5-Speed Automatic MB Transmission DGZ = 4-Spd. Automatic MT643 Transmission

AR = use ase required - = Non illustrated part

Rear Pillar Inner Panel
Figure IVA-245



ITEM	PART NUMBER	QTY	LINE	SERIES	BODY	ENGINE	TRANS	TRIM	DESCRIPTION
	05123326AA	1	2, 6	L	11, 12, 14, 15, 16				With Load Rings Without Grab Handles, Right
		1	2, 6	L	51, 52, 54, 55, 56				With Load Rings Without Grab Handles, Right
		1	3, 7	L	12, 15, 16				With Load Rings Without Grab Handles, Right
	05123328AA	1	2, 6	L	11, 12, 14, 15, 16				With Grab Handles and Load Rings, Left
		1	2, 6	L	51, 52, 54, 55, 56				With Grab Handles and Load Rings, Left
		1	3, 7	L	12, 15, 16				With Grab Handles and Load Rings, Left
	05123330AA	1	2, 6	L	11, 12, 14, 15, 16				With Grab Handles and Load Rings, Right
		1	2, 6	L	51, 52, 54, 55, 56				With Grab Handles and Load Rings, Right
		1	3, 7	L	12, 15, 16				With Grab Handles and Load Rings, Right
3									PIN, Push
	05103785AA	3	2, 6	L	11, 12, 14, 15, 16				
		3	2, 6	L	51, 52, 54, 55, 56				
		3	3, 7	L	12, 15, 16				
4									BRACKET, Trim Panel
	05104280AA	2	2, 6	L	11, 12, 14, 15, 16				D-Pillar, Left
		2	2, 6	L	51, 52, 54, 55, 56				D-Pillar, Left
		2	3, 7	L	12, 15, 16				D-Pillar, Left
	05104281AA	1	2, 6	L	11, 12, 14, 15, 16				D-Pillar, Right
		1	2, 6	L	51, 52, 54, 55, 56				D-Pillar, Right
		1	3, 7	L	12, 15, 16				D-Pillar, Right
5									RIVET

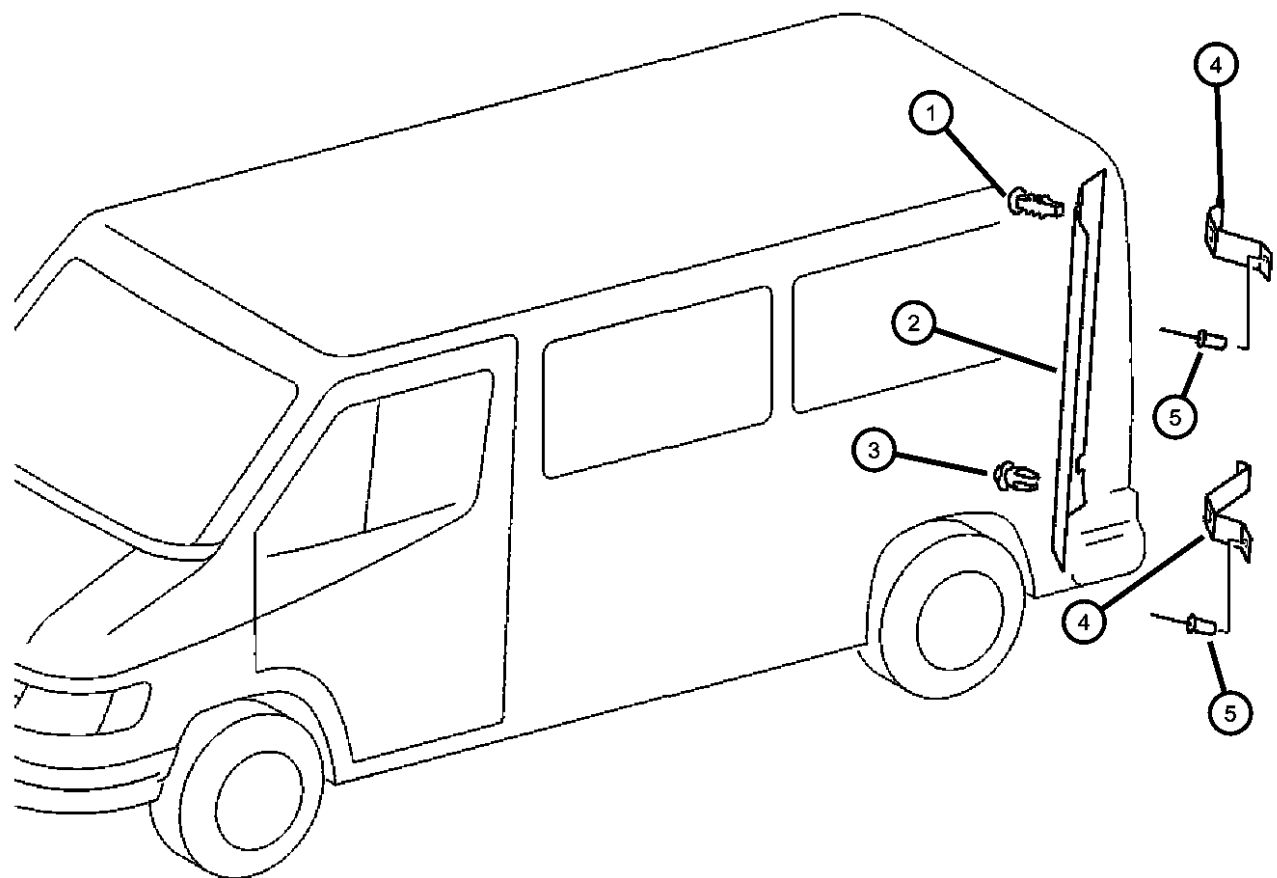
SPRINTER (VA)

SERIES	LINE	BODY	ENGINE	TRANSMISSION
L = LOWLINE	3 = HD DODGE 2WD	01 = CHASSIS FORWARD CONTROL W.B.1	EX8 = 2.7L I5 Turbo Diesel Engine	DGJ = 5-Speed Automatic MB Transmission
	8 = HD DODGE 4WD	02 = CAB CHASSIS WHEEL BASE 2	EX9 = 2.7L I5 Mercedes-Benz TD Engine	DGZ = 4-Spd. Automatic MT643 Transmission
	6 = Lt. Duty DODGE 4WD	06 = CAB CHASSIS WHEEL BASE 6		
	2 = Med. Duty DODGE 2WD	11 = VAN WHEEL BASE 1		
	7 = Med. Duty DODGE 4WD	12 = VAN WHEEL BASE 2		
	4 = TRUCK	51 = WAGON WHEEL BASE 1		
		52 = WAGON WHEEL BASE 2		
		14 = VAN WHEEL BASE 4		
		15 = VAN WHEEL BASE 5		
		54 = WAGON WHEEL BASE 4		
		55 = WAGON WHEEL BASE 5		
		56 = WAGON WHEEL BASE 6		
		16 = VAN WHEEL BASE 6		

AR = use ase required - = Non illustrated part

Rear Pillar Inner Panel
Figure IVA-245

ITEM	PART NUMBER	QTY	LINE	SERIES	BODY	ENGINE	TRANS	TRIM	DESCRIPTION
	05104624AA	6	2, 6	L	11, 12, 14, 15, 16				
		6	2, 6	L	51, 52, 54, 55, 56				
		6	3, 7	L	12, 15, 16				



SPRINTER (VA)

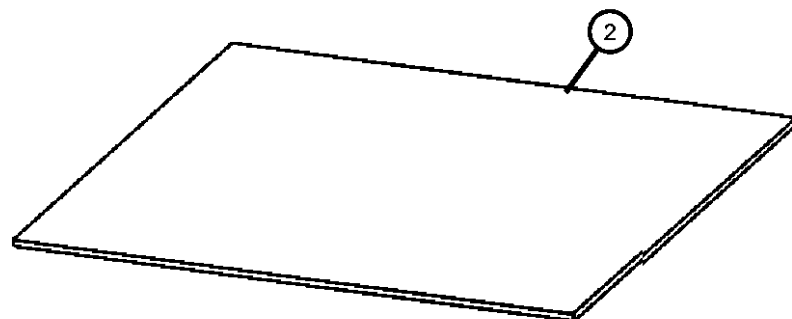
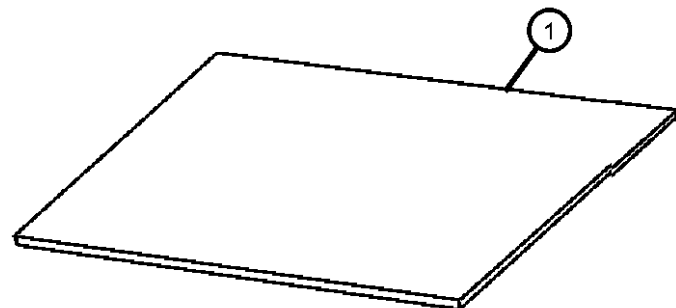
SERIES	LINE	BODY	ENGINE	TRANSMISSION
L = LOWLINE	3 = HD DODGE 2WD 8 = HD DODGE 4WD 6 = Lt. Duty DODGE 4WD 2 = Med. Duty DODGE 2WD 7 = Med. Duty DODGE 4WD 4 = TRUCK	01 = CHASSIS FORWARD CONTROL W.B.1 02 = CAB CHASSIS WHEEL BASE 2 06 = CAB CHASSIS WHEEL BASE 6 11 = VAN WHEEL BASE 1 12 = VAN WHEEL BASE 2 51 = WAGON WHEEL BASE 1 52 = WAGON WHEEL BASE 2 14 = VAN WHEEL BASE 4 15 = VAN WHEEL BASE 5 54 = WAGON WHEEL BASE 4 55 = WAGON WHEEL BASE 5 56 = WAGON WHEEL BASE 6 16 = VAN WHEEL BASE 6	EX8 = 2.7L I5 Turbo Diesel Engine EX9 = 2.7L I5 Mercedes-Benz TD Engine	DGJ = 5-Speed Automatic MB Transmission DGZ = 4-Spd. Automatic MT643 Transmission

AR = use ase required - = Non illustrated part

2006 VA

**Cowl Panel - Silencer
Figure IVA-250**

ITEM	PART NUMBER	QTY	LINE	SERIES	BODY	ENGINE	TRANS	TRIM	DESCRIPTION
1	05133640AA	1	3, 7	L	02, 06				SILENCER, Cowl Side Left Front
		1	3, 7	L	12, 15, 16				Left Front
	05133641AA	1	3, 7	L	02, 06				Right Front
		1	3, 7	L	12, 15, 16				Right Front
2	05133642AA	1	3, 7	L	02, 06				SILENCER, Cowl Side Left Rear
		1	3, 7	L	12, 15, 16				Left Rear
	05133643AA	1	3, 7	L	02, 06				Right Rear
		1	3, 7	L	12, 15, 16				Right Rear

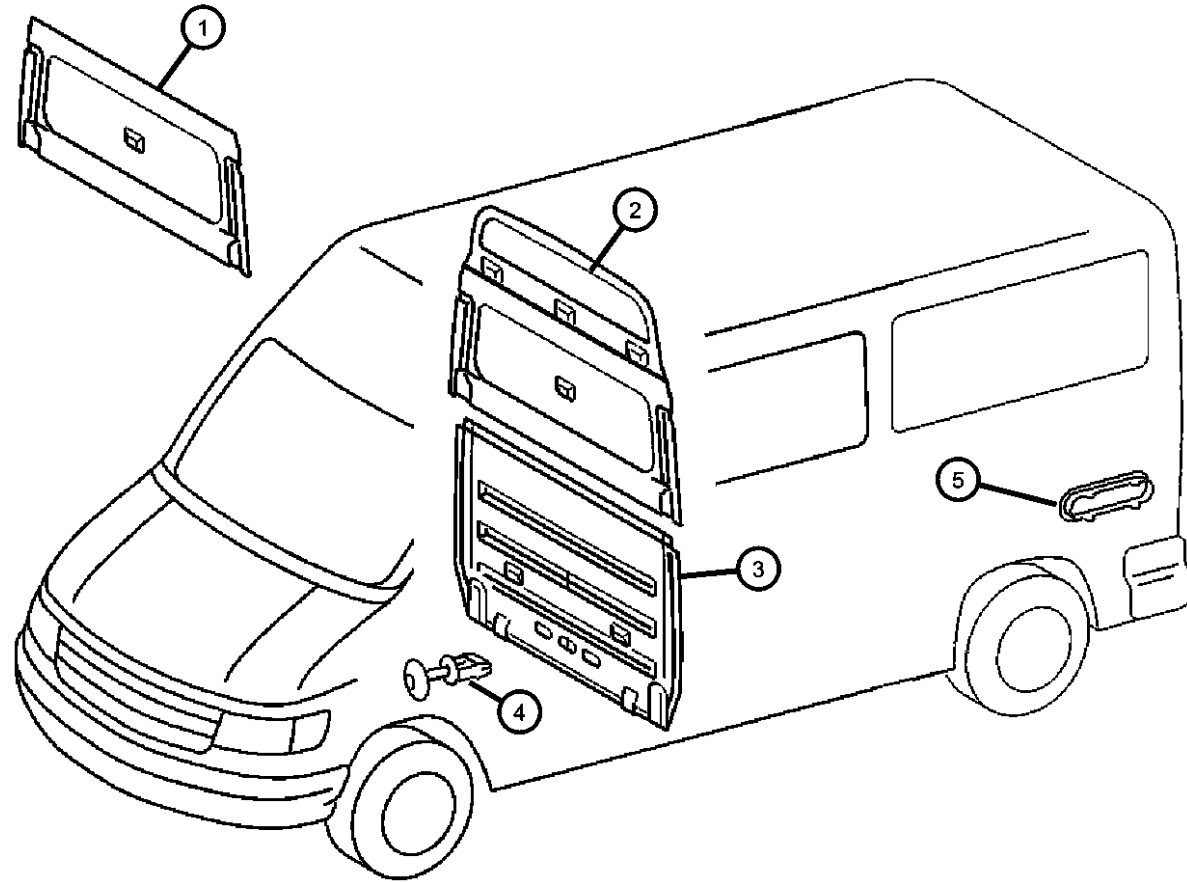


SPRINTER (VA)

SERIES	LINE	BODY	ENGINE	TRANSMISSION
L = LOWLINE	3 = HD DODGE 2WD 8 = HD DODGE 4WD 6 = Lt. Duty DODGE 4WD 2 = Med. Duty DODGE 2WD 7 = Med. Duty DODGE 4WD 4 = TRUCK	01 = CHASSIS FORWARD CONTROL W.B.1 02 = CAB CHASSIS WHEEL BASE 2 06 = CAB CHASSIS WHEEL BASE 6 11 = VAN WHEEL BASE 1 12 = VAN WHEEL BASE 2 51 = WAGON WHEEL BASE 1 52 = WAGON WHEEL BASE 2 14 = VAN WHEEL BASE 4 15 = VAN WHEEL BASE 5 54 = WAGON WHEEL BASE 4 55 = WAGON WHEEL BASE 5 56 = WAGON WHEEL BASE 6 16 = VAN WHEEL BASE 6	EX8 = 2.7L I5 Turbo Diesel Engine EX9 = 2.7L I5 Mercedes-Benz TD Engine	DGJ = 5-Speed Automatic MB Transmission DGZ = 4-Spd. Automatic MT643 Transmission

AR = use ase required - = Non illustrated part

Partition Panel
Figure IVA-255



ITEM	PART NUMBER	QTY	LINE	SERIES	BODY	ENGINE	TRANS	TRIM	DESCRIPTION
1									PANEL, Quarter
	05122967AA	1	2, 6	L	11				Without Window
		1	3, 7	L	12				Without Window
	05122969AA	1	2, 6	L	11				With Window
		1	3, 7	L	12				With Window
2									PANEL, Quarter
	05122971AA	1	2, 6	L	14, 15, 16				
		1	3, 7	L	15, 16				
3									PANEL, Quarter
	05122962AA	1	2, 6	L	11, 12, 14, 15, 16				
		1	3, 7	L	12, 15, 16				
4									RIVET
	05125808AA	7	2, 6	L	11, 12, 14, 15, 16				
		7	3, 7	L	12, 15, 16				
5									EXHAUSTER, Quarter Panel
	05123426AA	2	2, 6	L	01, 02, 06				
		2	2, 6	L	11, 12, 14, 15, 16				
		2	2, 6	L	51, 52, 54, 55, 56				
		2	3, 7	L	02, 06				
		2	3, 7	L	12, 15, 16				

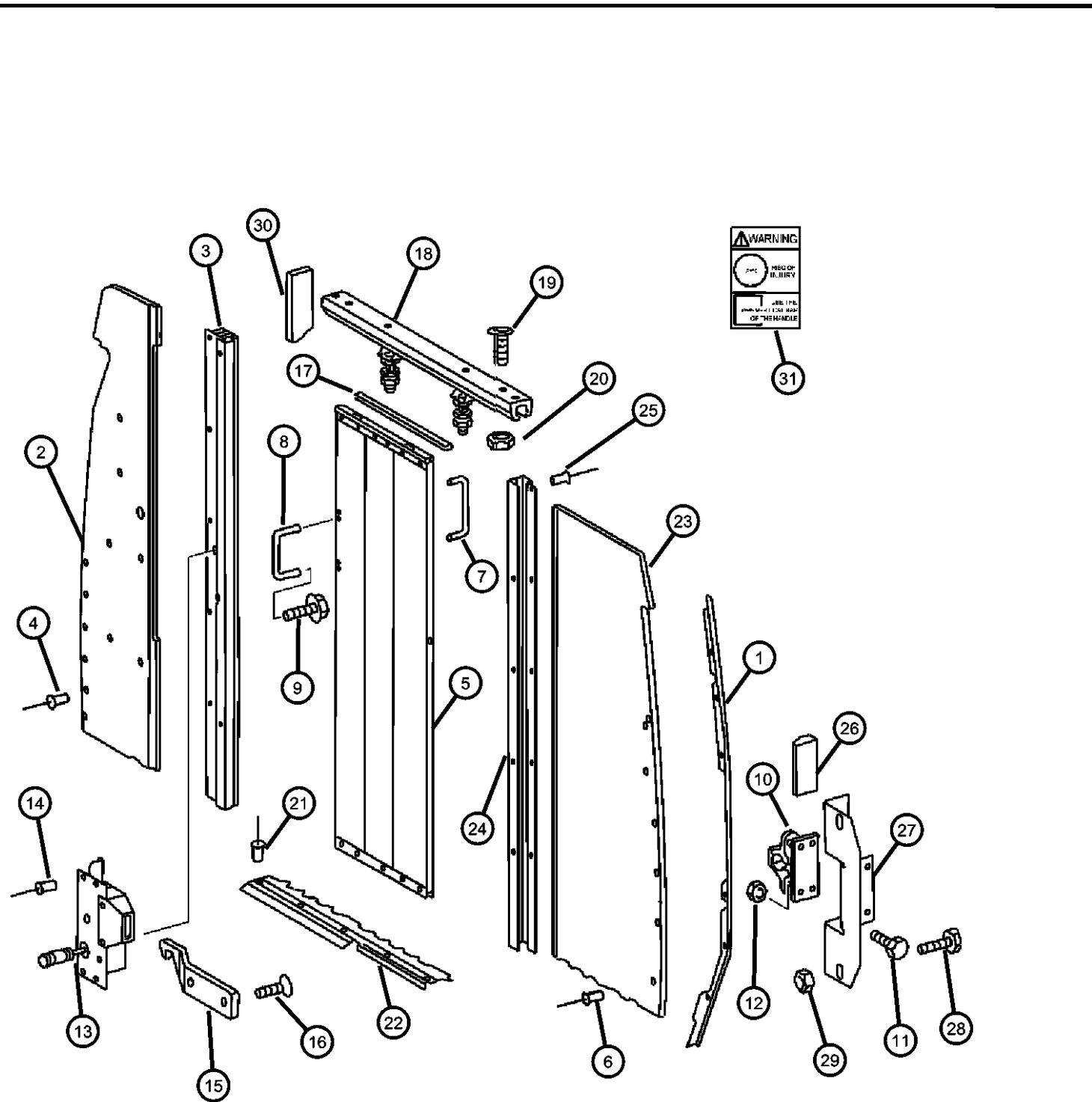
SPRINTER (VA)

SERIES	LINE	BODY	ENGINE	TRANSMISSION
L = LOWLINE	3 = HD DODGE 2WD 8 = HD DODGE 4WD 6 = Lt. Duty DODGE 4WD 2 = Med. Duty DODGE 2WD 7 = Med. Duty DODGE 4WD 4 = TRUCK	01 = CHASSIS FORWARD CONTROL W.B.1 02 = CAB CHASSIS WHEEL BASE 2 06 = CAB CHASSIS WHEEL BASE 6 11 = VAN WHEEL BASE 1 12 = VAN WHEEL BASE 2 51 = WAGON WHEEL BASE 1 52 = WAGON WHEEL BASE 2 14 = VAN WHEEL BASE 4 15 = VAN WHEEL BASE 5 54 = WAGON WHEEL BASE 4 55 = WAGON WHEEL BASE 5 56 = WAGON WHEEL BASE 6 16 = VAN WHEEL BASE 6	EX8 = 2.7L I5 Turbo Diesel Engine EX9 = 2.7L I5 Mercedes-Benz TD Engine	DGJ = 5-Speed Automatic MB Transmission DGZ = 4-Spd. Automatic MT643 Transmission

AR = use ase required - = Non illustrated part

2006 VA

**Partition Wall and Sliding Door
Figure IVA-260**



ITEM	PART NUMBER	QTY	LINE	SERIES	BODY	ENGINE	TRANS	TRIM	DESCRIPTION
1	05104315AA	1	2, 6	L	11, 12, 14, 15, 16				PANEL EXTENSION, Extension, W/O Slide
		1	3, 7	L	12, 15, 16				
2	05104318AA	1	2, 6	L	14, 15, 16				PARTITION, Cargo
		1	3, 7	L	15, 16				
3	05104306AA	1	2, 6	L	14, 15, 16				RAIL, Cargo Partition, Sliding Door
		1	2, 6	L	11, 12				
		1	3, 7	L	15, 16				
		1	3, 7	L	12				
4	05125811AA	7	2, 6	L	11, 12, 14, 15, 16				RIVET, Blind Bulb
		7	3, 7	L	12, 15, 16				
5	05123575AA	1	2, 6	L	14, 15, 16				PANEL, Cargo Compartment, Without Windows
		1	3, 7	L	15, 16				
6	05126108AA	5	2, 6	L	11, 12, 14, 15, 16				RIVET, Blind
		5	3, 7	L	12, 15, 16				
	05126109AA	25	2, 6	L	11, 12, 14, 15, 16				
		25	3, 7	L	12, 15, 16				
7	05123662AA	1	2, 6	L	11, 12, 14, 15, 16				HANDLE, Cargo Door Interior
		1	3, 7	L	12, 15, 16				

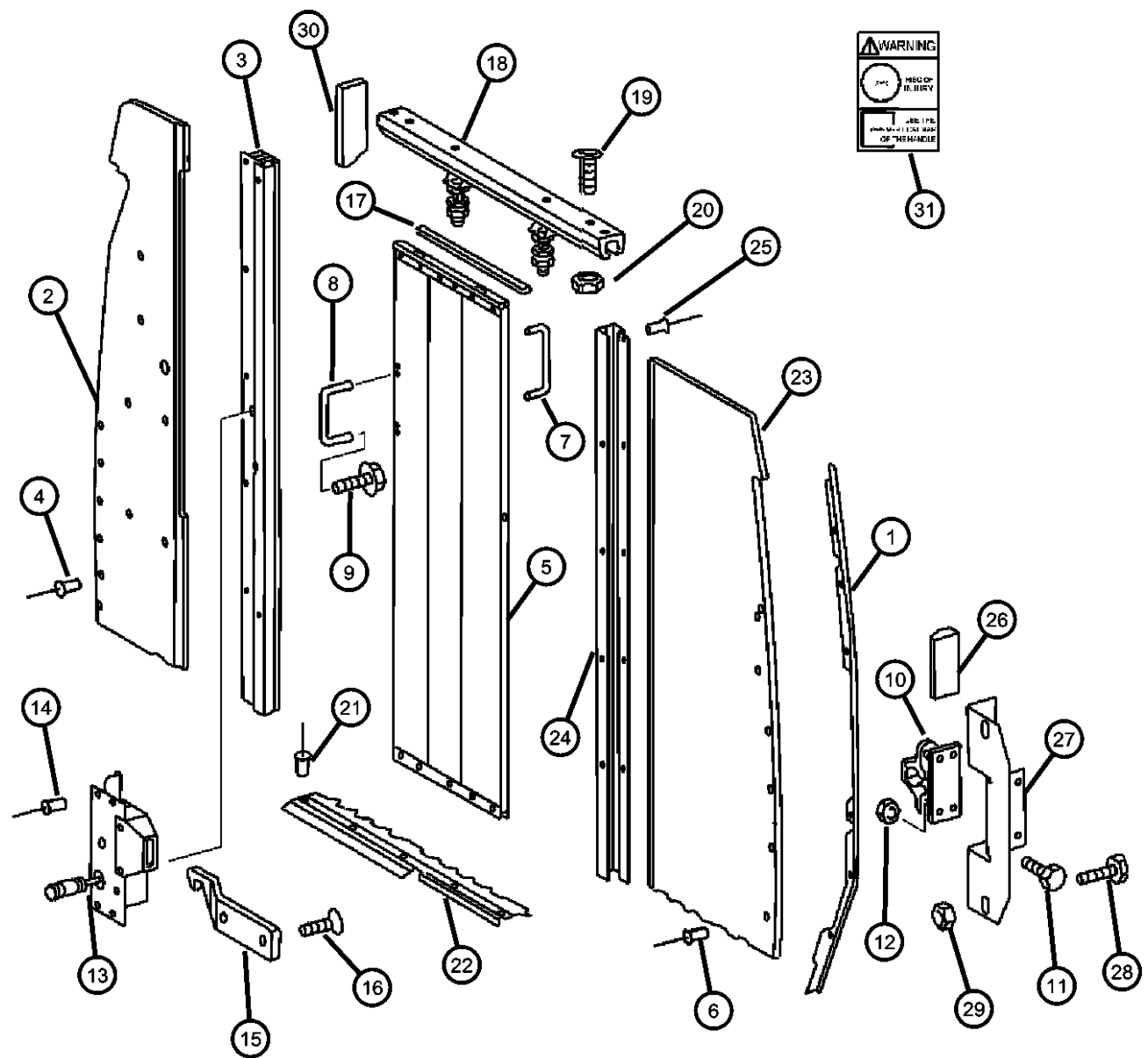


SPRINTER (VA)

SERIES	LINE	BODY	ENGINE	TRANSMISSION
L = LOWLINE	3 = HD DODGE 2WD 8 = HD DODGE 4WD 6 = Lt. Duty DODGE 4WD 2 = Med. Duty DODGE 2WD 7 = Med. Duty DODGE 4WD 4 = TRUCK	01 = CHASSIS FORWARD CONTROL W.B.1 02 = CAB CHASSIS WHEEL BASE 2 06 = CAB CHASSIS WHEEL BASE 6 11 = VAN WHEEL BASE 1 12 = VAN WHEEL BASE 2 51 = WAGON WHEEL BASE 1 52 = WAGON WHEEL BASE 2 14 = VAN WHEEL BASE 4 15 = VAN WHEEL BASE 5 54 = WAGON WHEEL BASE 4 55 = WAGON WHEEL BASE 5 56 = WAGON WHEEL BASE 6 16 = VAN WHEEL BASE 6	EX8 = 2.7L I5 Turbo Diesel Engine EX9 = 2.7L I5 Mercedes-Benz TD Engine	DGJ = 5-Speed Automatic MB Transmission DGZ = 4-Spd. Automatic MT643 Transmission

AR = use ase required - = Non illustrated part

**Partition Wall and Sliding Door
Figure IVA-260**



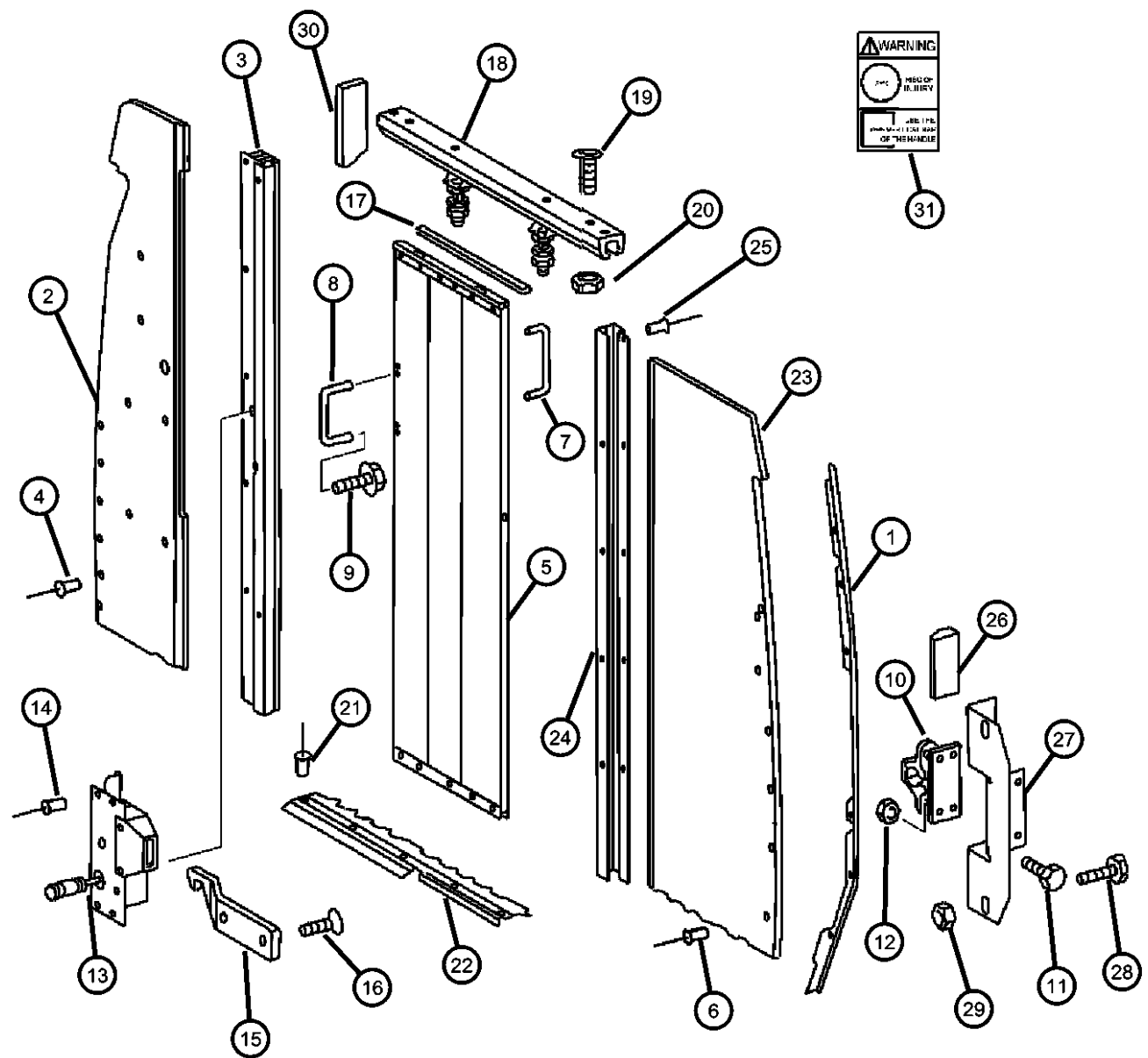
ITEM	PART NUMBER	QTY	LINE	SERIES	BODY	ENGINE	TRANS	TRIM	DESCRIPTION
8	05123663AA	1	2, 6	L	11, 12, 14, 15, 16				HANDLE, Cargo Door Interior
		1	3, 7	L	12, 15, 16				
9	06104119AA	4	2, 6	L	11, 12, 14, 15, 16				SCREW
		4	3, 7	L	12, 15, 16				
10	05104419AA	1	2, 6	L	11, 12, 14, 15, 16				ADJUSTER, Cargo Door
		1	3, 7	L	12, 15, 16				
11	05104652AB	4	2, 6	L	11, 12, 14, 15, 16				SCREW
		4	3, 7	L	12, 15, 16				
12	05104660AA	4	2, 6	L	11, 12, 14, 15, 16				NUT
		2	3, 7	L	02, 06				
		2	3, 7	L	12, 15, 16				
13	05104303AA	1	2, 6	L	11, 12, 14, 15, 16				LATCH
		1	3, 7	L	12, 15, 16				
14	05104623AA	4	2, 6	L	11, 12, 14, 15, 16				RIVET
		4	3, 7	L	12, 15, 16				
15	05104424AA	1	2, 6	L	11, 12, 14, 15, 16				CATCH, Sliding Partition Door

SPRINTER (VA)

SERIES	LINE	BODY	ENGINE	TRANSMISSION
L = LOWLINE	3 = HD DODGE 2WD 8 = HD DODGE 4WD 6 = Lt. Duty DODGE 4WD 2 = Med. Duty DODGE 2WD 7 = Med. Duty DODGE 4WD 4 = TRUCK	01 = CHASSIS FORWARD CONTROL W.B.1 02 = CAB CHASSIS WHEEL BASE 2 06 = CAB CHASSIS WHEEL BASE 6 11 = VAN WHEEL BASE 1 12 = VAN WHEEL BASE 2 51 = WAGON WHEEL BASE 1 52 = WAGON WHEEL BASE 2 14 = VAN WHEEL BASE 4 15 = VAN WHEEL BASE 5 54 = WAGON WHEEL BASE 4 55 = WAGON WHEEL BASE 5 56 = WAGON WHEEL BASE 6 16 = VAN WHEEL BASE 6	EX8 = 2.7L I5 Turbo Diesel Engine EX9 = 2.7L I5 Mercedes-Benz TD Engine	DGJ = 5-Speed Automatic MB Transmission DGZ = 4-Spd. Automatic MT643 Transmission

AR = use ase required - = Non illustrated part

**Partition Wall and Sliding Door
Figure IVA-260**



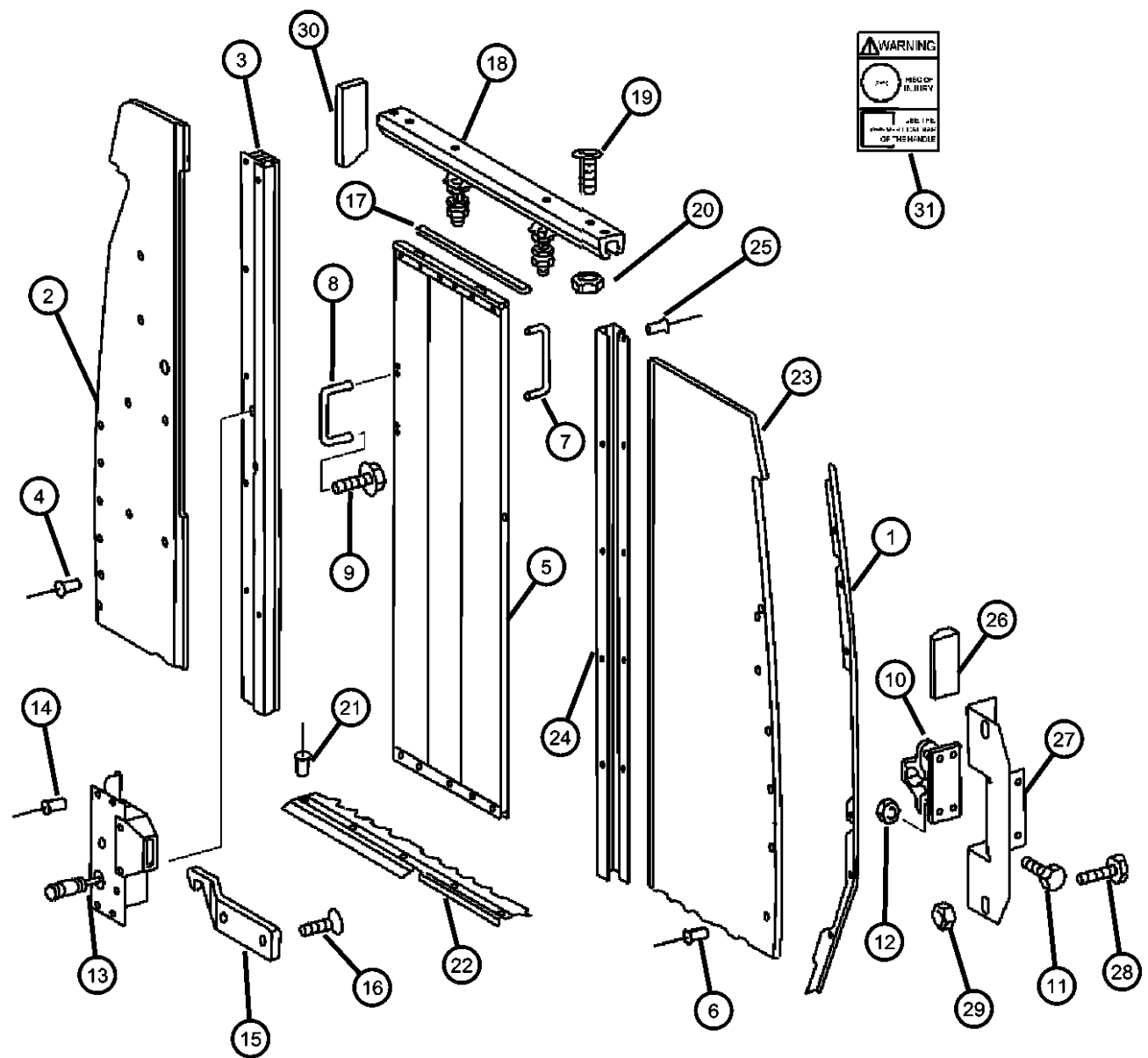
ITEM	PART NUMBER	QTY	LINE	SERIES	BODY	ENGINE	TRANS	TRIM	DESCRIPTION
16		1	3, 7	L	12, 15, 16				SCREW, Hex Flange Head
	06104121AA	4	2, 6	L	01, 02, 06				
		4	2, 6	L	11, 12, 14, 15, 16				
		4	3, 7	L	02, 06				
17		60	2, 6	L	11, 12, 14, 15, 16				GUARD, Door Edge 3 Meters Long
	05103782AA	100	3, 7	L	02, 06				3 Meters Long
		100	3, 7	L	12, 15, 16				3 Meters Long
18		1	2, 6	L	11, 12, 14, 15, 16				RAIL, Cargo Partition, Sliding Door
	05123585AA	1	3, 7	L	12, 15, 16				
19		1	2, 6	L	11, 12, 14, 15, 16				SCREW, Hex Head
	05126110AA	1	3, 7	L	12, 15, 16				
20		5	2, 6	L	11, 12, 14, 15, 16				NUT
	06104714AA	3	3, 7	L	12, 15, 16				
21		5	2, 6	L	11, 12, 14, 15, 16				RIVET
	05104623AA	4	3, 7	L	12, 15, 16				
22		1	2, 6	L	11, 12, 14, 15, 16				MOLDING, Cargo Area Carpet
	05104156AA	1	3, 7	L	12, 15, 16				

SPRINTER (VA)

SERIES	LINE	BODY	ENGINE	TRANSMISSION
L = LOWLINE	3 = HD DODGE 2WD 8 = HD DODGE 4WD 6 = Lt. Duty DODGE 4WD 2 = Med. Duty DODGE 2WD 7 = Med. Duty DODGE 4WD 4 = TRUCK	01 = CHASSIS FORWARD CONTROL W.B.1 02 = CAB CHASSIS WHEEL BASE 2 06 = CAB CHASSIS WHEEL BASE 6 11 = VAN WHEEL BASE 1 12 = VAN WHEEL BASE 2 51 = WAGON WHEEL BASE 1 52 = WAGON WHEEL BASE 2 14 = VAN WHEEL BASE 4 15 = VAN WHEEL BASE 5 54 = WAGON WHEEL BASE 4 55 = WAGON WHEEL BASE 5 56 = WAGON WHEEL BASE 6 16 = VAN WHEEL BASE 6	EX8 = 2.7L I5 Turbo Diesel Engine EX9 = 2.7L I5 Mercedes-Benz TD Engine	DGJ = 5-Speed Automatic MB Transmission DGZ = 4-Spd. Automatic MT643 Transmission

AR = use ase required - = Non illustrated part

**Partition Wall and Sliding Door
Figure IVA-260**



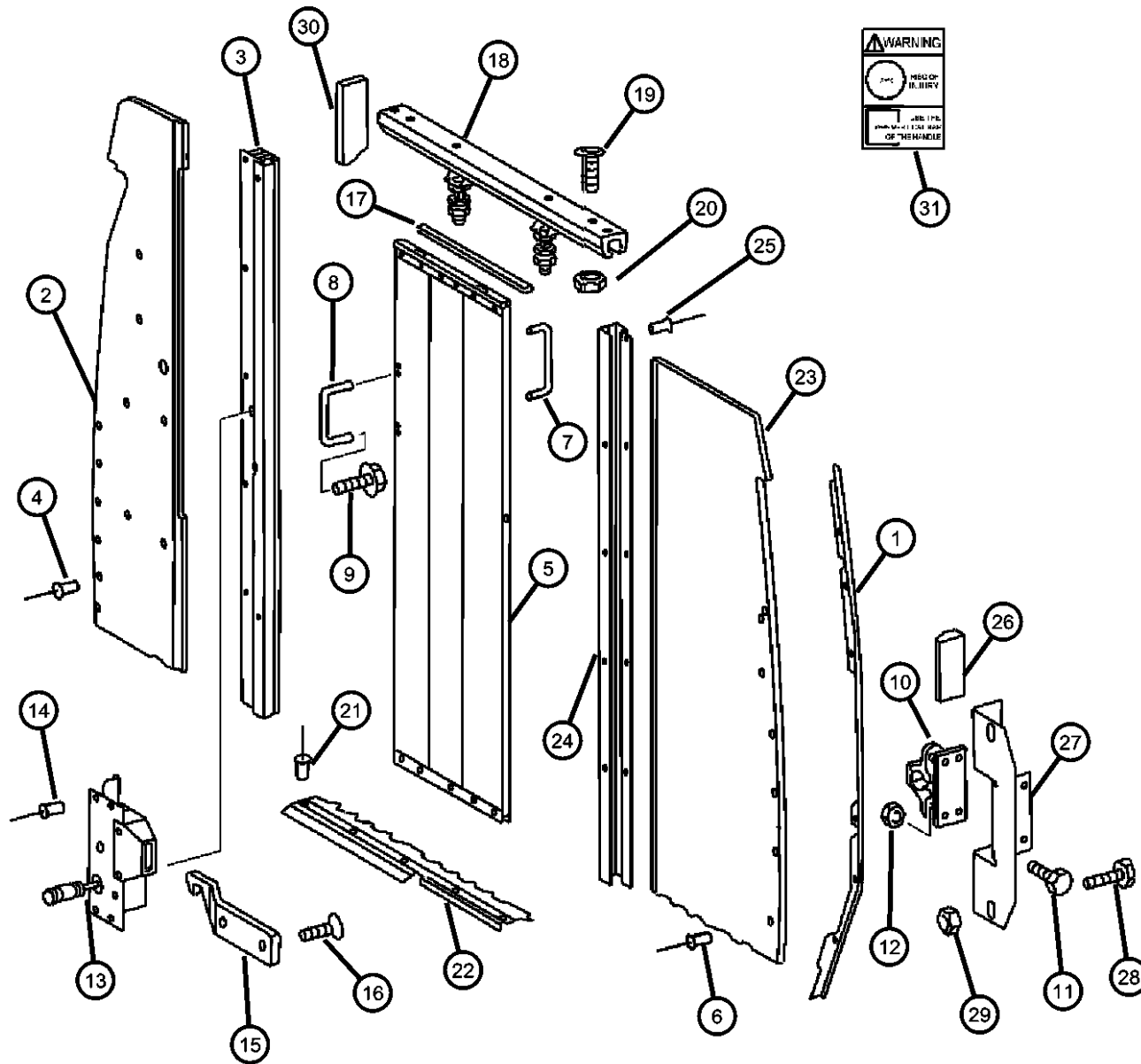
ITEM	PART NUMBER	QTY	LINE	SERIES	BODY	ENGINE	TRANS	TRIM	DESCRIPTION
23									PARTITION, Cargo
	05104317AA	1	2, 6	L	14, 15, 16				
		1	3, 7	L	15, 16				
24									RAIL, Cargo Partition, Sliding Door
	05104309AA	1	2, 6	L	14, 15, 16				
		1	2, 6	L	11, 12				
		1	3, 7	L	15, 16				
		1	3, 7	L	12				
25									RIVET
	05125812AA	9	2, 6	L	11, 12, 14, 15, 16				
		9	3, 7	L	12, 15, 16				
26									BUMPER, Rubber
	05104427AA	2	2, 6	L	11, 12, 14, 15, 16				
		2	2, 6	L	51, 52, 54, 55, 56				
		2	3, 7	L	12, 15, 16				
27									HOUSING
	05104305AA	1	2, 6	L	11, 12, 14, 15, 16				
	05120273AA	1	2, 6	L	01, 02, 06				
28									BOLT, Hex Head
	05126132AA	2	2, 6	L	11, 12, 14, 15, 16				
		2	3, 7	L	12, 15, 16				
29									NUT
	06104716AA	2	2, 6	L	11, 12, 14, 15, 16				
		8	2, 6	L	51, 52, 54, 55, 56				

SPRINTER (VA)

SERIES	LINE	BODY	ENGINE	TRANSMISSION
L = LOWLINE	3 = HD DODGE 2WD 8 = HD DODGE 4WD 6 = Lt. Duty DODGE 4WD 2 = Med. Duty DODGE 2WD 7 = Med. Duty DODGE 4WD 4 = TRUCK	01 = CHASSIS FORWARD CONTROL W.B.1 02 = CAB CHASSIS WHEEL BASE 2 06 = CAB CHASSIS WHEEL BASE 6 11 = VAN WHEEL BASE 1 12 = VAN WHEEL BASE 2 51 = WAGON WHEEL BASE 1 52 = WAGON WHEEL BASE 2 14 = VAN WHEEL BASE 4 15 = VAN WHEEL BASE 5 54 = WAGON WHEEL BASE 4 55 = WAGON WHEEL BASE 5 56 = WAGON WHEEL BASE 6 16 = VAN WHEEL BASE 6	EX8 = 2.7L I5 Turbo Diesel Engine EX9 = 2.7L I5 Mercedes-Benz TD Engine	DGJ = 5-Speed Automatic MB Transmission DGZ = 4-Spd. Automatic MT643 Transmission

AR = use ase required - = Non illustrated part

**Partition Wall and Sliding Door
Figure IVA-260**



ITEM	PART NUMBER	QTY	LINE	SERIES	BODY	ENGINE	TRANS	TRIM	DESCRIPTION
		4	3, 7	L	02, 06				
30									SEAL
	05123661AA	1	2, 6	L	14, 15, 16				
		1	3, 7	L	15, 16				
31									LABEL, Warning
	05121162AA	1	2, 6	L	11, 12, 14, 15, 16				
		1	3, 7	L	12, 15, 16				
-32									LABEL, Gummed Label on Door
	05121146AA	1	2, 6	L	11, 12, 14, 15, 16				
		1	3, 7	L	12, 15, 16				
-33									BOLT, Door to Guide
	05125721AA	2	2, 6	L	11, 12, 14, 15, 16				
		2	3, 7	L	12, 15, 16				
-34									NUT, Door to Guide
	05126126AA	4	2, 6	L	11, 12, 14, 15, 16				
		4	3, 7	L	12, 15, 16				
-35									NUT, Hex, Door to Guide
	05126208AA	4	2, 6	L	11, 12, 14, 15, 16				
		4	3, 7	L	12, 15, 16				

SPRINTER (VA)

SERIES

L = LOWLINE

LINE

3 = HD DODGE 2WD
 8 = HD DODGE 4WD
 6 = Lt. Duty DODGE 4WD
 2 = Med. Duty DODGE 2WD
 7 = Med. Duty DODGE 4WD
 4 = TRUCK

BODY

01 = CHASSIS FORWARD CONTROL W.B.1
 02 = CAB CHASSIS WHEEL BASE 2
 06 = CAB CHASSIS WHEEL BASE 6
 11 = VAN WHEEL BASE 1
 12 = VAN WHEEL BASE 2
 51 = WAGON WHEEL BASE 1
 52 = WAGON WHEEL BASE 2
 14 = VAN WHEEL BASE 4
 15 = VAN WHEEL BASE 5
 54 = WAGON WHEEL BASE 4
 55 = WAGON WHEEL BASE 5
 56 = WAGON WHEEL BASE 6
 16 = VAN WHEEL BASE 6

ENGINE

EX8 = 2.7L I5 Turbo Diesel Engine
 EX9 = 2.7L I5 Mercedes-Benz TD Engine

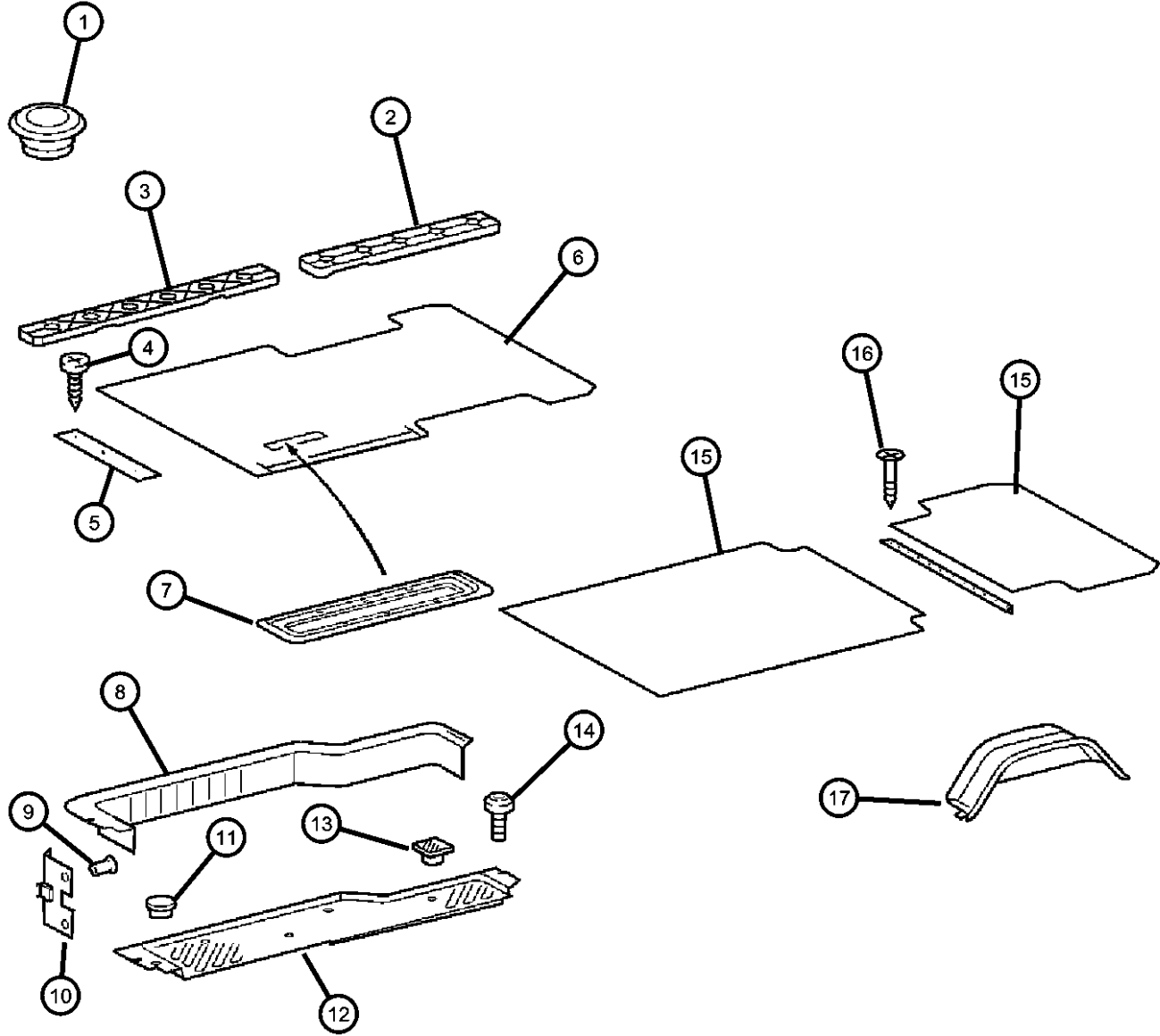
TRANSMISSION

DGJ = 5-Speed Automatic MB Transmission
 DGZ = 4-Spd. Automatic MT643 Transmission

AR = use ase required - = Non illustrated part

2006 VA

Carpet - Floor
Figure IVA-310



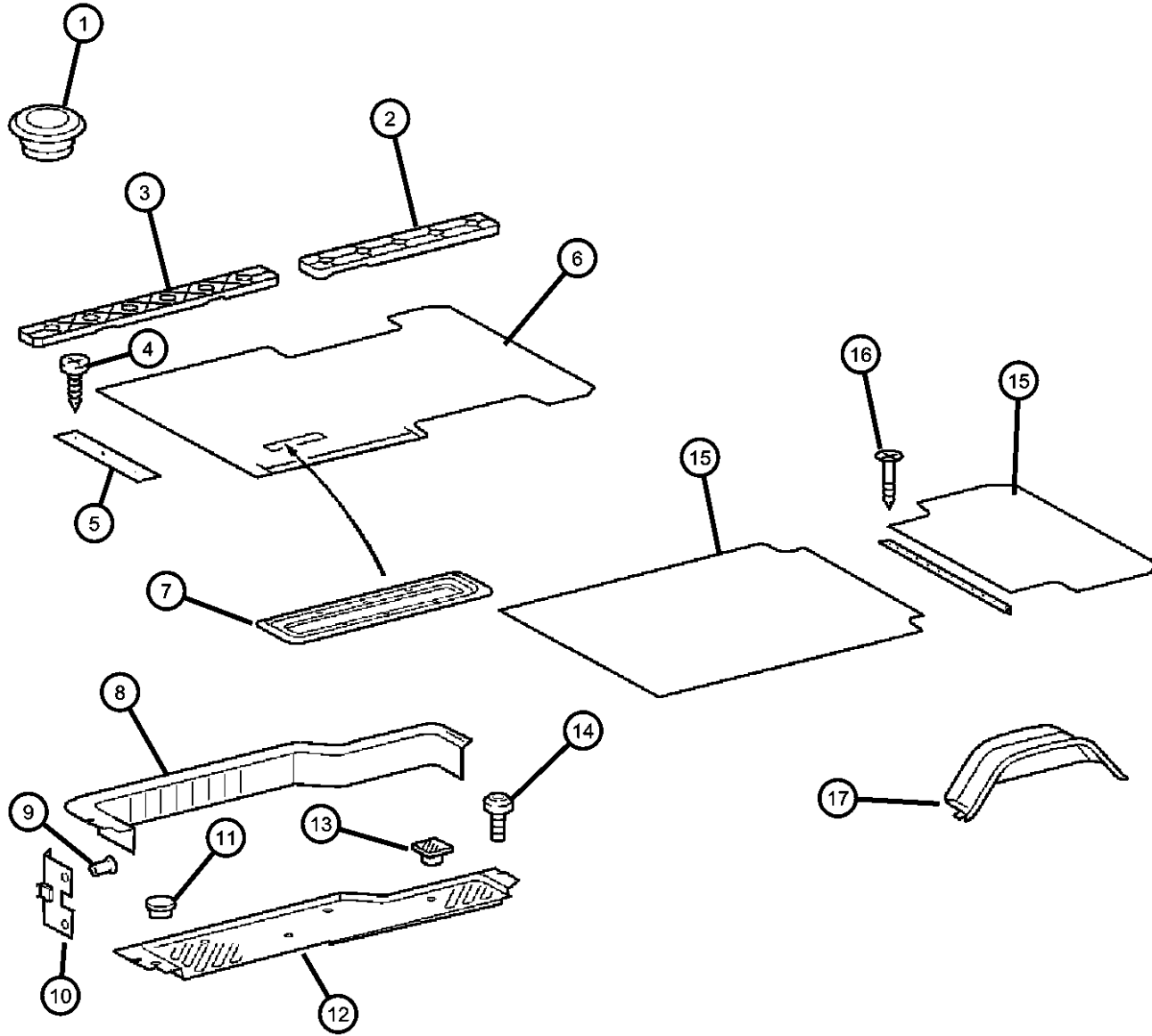
ITEM	PART NUMBER	QTY	LINE	SERIES	BODY	ENGINE	TRANS	TRIM	DESCRIPTION
1									PLUG
	05125991AA	2	2, 6	L	11, 12, 14, 15, 16				
		99	2, 6	L	51, 52, 54, 55, 56				
		2	3, 7	L	12, 15, 16				
2									COVER, Seat Track
	05122642AA	1	2, 6	L	12, 15				Rear
		1	2, 6	L	11, 14				Rear
		1	2, 6	L	51, 52, 54, 55, 56				Rear
		1	3, 7	L	12, 15, 16				Rear
3									COVER, Seat Track
	05122650AA	2	2, 6	L	51, 52, 54, 55, 56				Front
		2	3, 7	L	12, 15, 16				Front
		2	2, 6	L	11, 12, 14, 15, 16				Front
4		2							SCREW, (NOT SERVICED)
5									PLATE
	05122835AA	1	2, 6	L	51, 52, 54, 55, 56				Carpet Ledge, Sliding Door
		1	3, 7	L	12, 15, 16				Carpet Ledge, Sliding Door
		1	2, 6	L	11, 12, 14, 15, 16				Carpet Ledge, Sliding Door
6		1							LINING, NONE, SPRINTER, (NOT SERVICED),
7		1							COVERING, NONE, SPRINTER, (NOT SERVICED)
8									PANEL, Sliding Door Trim
	05122827AA	1	2, 6	L	11, 12, 14, 15, 16				
		1	2, 6	L	51, 52, 54, 55, 56				

SPRINTER (VA)

SERIES	LINE	BODY	ENGINE	TRANSMISSION
L = LOWLINE	3 = HD DODGE 2WD	01 = CHASSIS FORWARD CONTROL W.B.1	EX8 = 2.7L I5 Turbo Diesel Engine	DGJ = 5-Speed Automatic MB Transmission
	8 = HD DODGE 4WD	02 = CAB CHASSIS WHEEL BASE 2	EX9 = 2.7L I5 Mercedes-Benz TD Engine	DGZ = 4-Spd. Automatic MT643 Transmission
	6 = Lt. Duty DODGE 4WD	06 = CAB CHASSIS WHEEL BASE 6		
	2 = Med. Duty DODGE 2WD	11 = VAN WHEEL BASE 1		
	7 = Med. Duty DODGE 4WD	12 = VAN WHEEL BASE 2		
	4 = TRUCK	51 = WAGON WHEEL BASE 1		
		52 = WAGON WHEEL BASE 2		
		14 = VAN WHEEL BASE 4		
		15 = VAN WHEEL BASE 5		
		54 = WAGON WHEEL BASE 4		
		55 = WAGON WHEEL BASE 5		
		56 = WAGON WHEEL BASE 6		
		16 = VAN WHEEL BASE 6		

AR = use ase required - = Non illustrated part

Carpet - Floor
Figure IVA-310



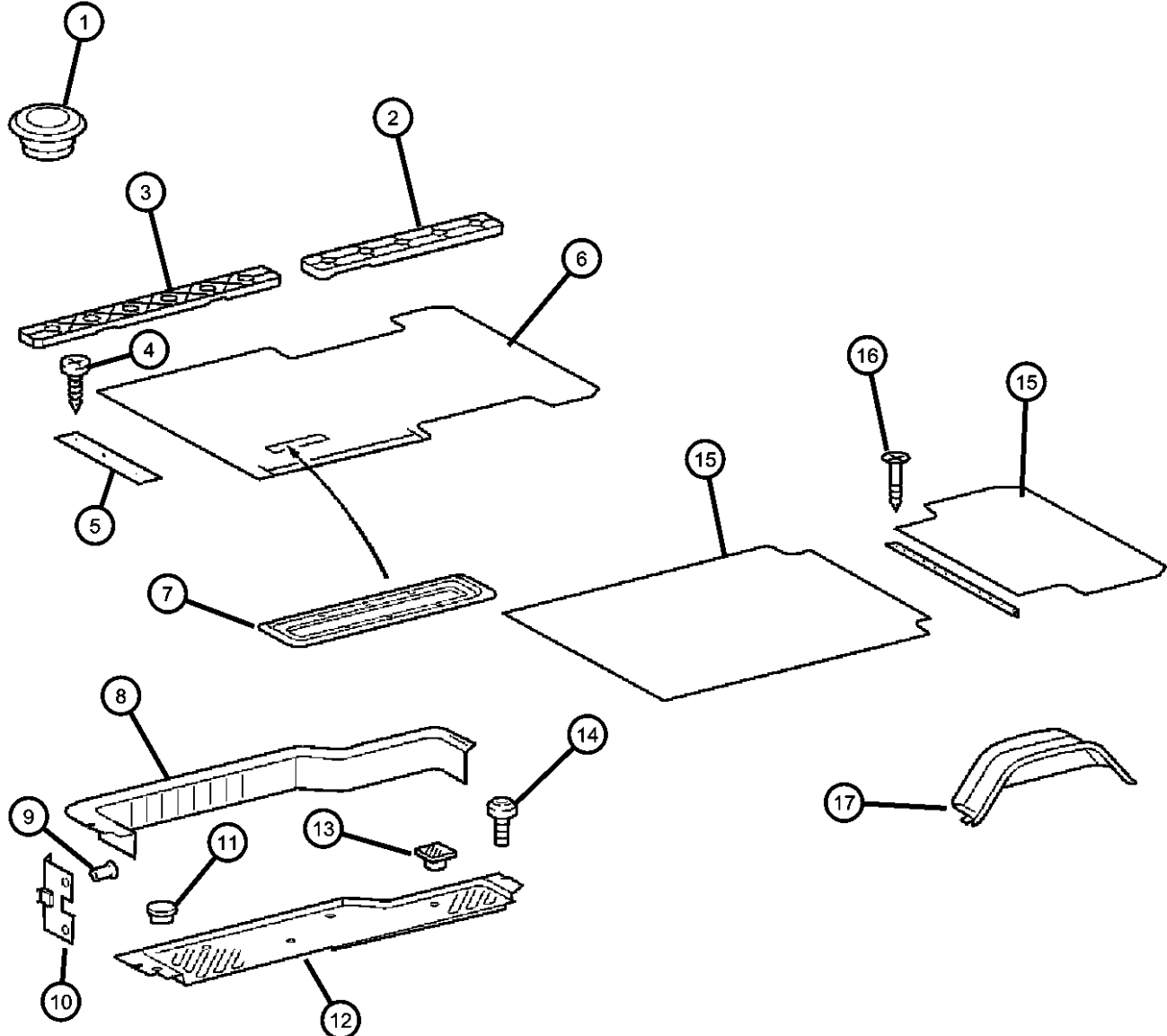
ITEM	PART NUMBER	QTY	LINE	SERIES	BODY	ENGINE	TRANS	TRIM	DESCRIPTION
9		1	3, 7	L	12, 15, 16				RIVET
	05134061AA	8	2, 6	L	11, 12, 14, 15, 16				
		8	2, 6	L	51, 52, 54, 55, 56				
10		8	3, 7	L	12, 15, 16				CLIP, Floor Trim
	05125584AA	8	2, 6	L	11, 12, 14, 15, 16				
		4	2, 6	L	51, 52, 54, 55, 56				
		4	3, 7	L	12, 15, 16				
11		1	3, 7	L	12, 15, 16				PLUG
	05122808AA	1	2, 6	L	11, 12, 14, 15, 16				
		1	2, 6	L	51, 52, 54, 55, 56				
12		1	3, 7	L	12, 15, 16				PAD, Side Cargo Door Sill
	05122815AA	1	2, 6	L	11, 12, 14, 15, 16				Entrance, Sliding Door, Left
		1	2, 6	L	51, 52, 54, 55, 56				Entrance, Sliding Door, Left
	05122816AA	1	3, 7	L	12, 15, 16				Entrance, Sliding Door, Left
		1	2, 6	L	11, 12, 14, 15, 16				Entrance, Sliding Door, Right
		1	2, 6	L	51, 52, 54, 55, 56				Entrance, Sliding Door, Right
		1	3, 7	L	12, 15, 16				Entrance, Sliding Door, Right
13		1	3, 7	L	12, 15, 16				PLUG
	05122811AA	4	2, 6	L	11, 12, 14, 15, 16				

SPRINTER (VA)

SERIES	LINE	BODY	ENGINE	TRANSMISSION
L = LOWLINE	3 = HD DODGE 2WD 8 = HD DODGE 4WD 6 = Lt. Duty DODGE 4WD 2 = Med. Duty DODGE 2WD 7 = Med. Duty DODGE 4WD 4 = TRUCK	01 = CHASSIS FORWARD CONTROL W.B.1 02 = CAB CHASSIS WHEEL BASE 2 06 = CAB CHASSIS WHEEL BASE 6 11 = VAN WHEEL BASE 1 12 = VAN WHEEL BASE 2 51 = WAGON WHEEL BASE 1 52 = WAGON WHEEL BASE 2 14 = VAN WHEEL BASE 4 15 = VAN WHEEL BASE 5 54 = WAGON WHEEL BASE 4 55 = WAGON WHEEL BASE 5 56 = WAGON WHEEL BASE 6 16 = VAN WHEEL BASE 6	EX8 = 2.7L I5 Turbo Diesel Engine EX9 = 2.7L I5 Mercedes-Benz TD Engine	DGJ = 5-Speed Automatic MB Transmission DGZ = 4-Spd. Automatic MT643 Transmission

AR = use ase required - = Non illustrated part

Carpet - Floor
Figure IVA-310



ITEM	PART NUMBER	QTY	LINE	SERIES	BODY	ENGINE	TRANS	TRIM	DESCRIPTION
		4	2, 6	L	51, 52, 54, 55, 56				
		4	3, 7	L	12, 15, 16				
14	06104142AA	2	2, 6	L	11, 12, 14, 15, 16				SCREW
		2	2, 6	L	51, 52, 54, 55, 56				
		2	3, 7	L	02, 06				
		2	3, 7	L	12, 15, 16				
15		2							LINING, NONE, SPRINTER, (NOT SERVICED)
16	05134062AA	9	3, 7	L	12, 15, 16				SCREW
17									MAT, Wheelhouse
	05122563AA	2	3, 7	L	12, 15, 16				
	05131453AA	2	2, 6	L	11, 12, 14, 15, 16				
		2	2, 6	L	51, 52, 54, 55, 56				
-18									MOLDING, Cargo Area Carpet
	05104156AA	1	2, 6	L	11, 12, 14, 15, 16				Threshold for Partition Door
		1	3, 7	L	12, 15, 16				

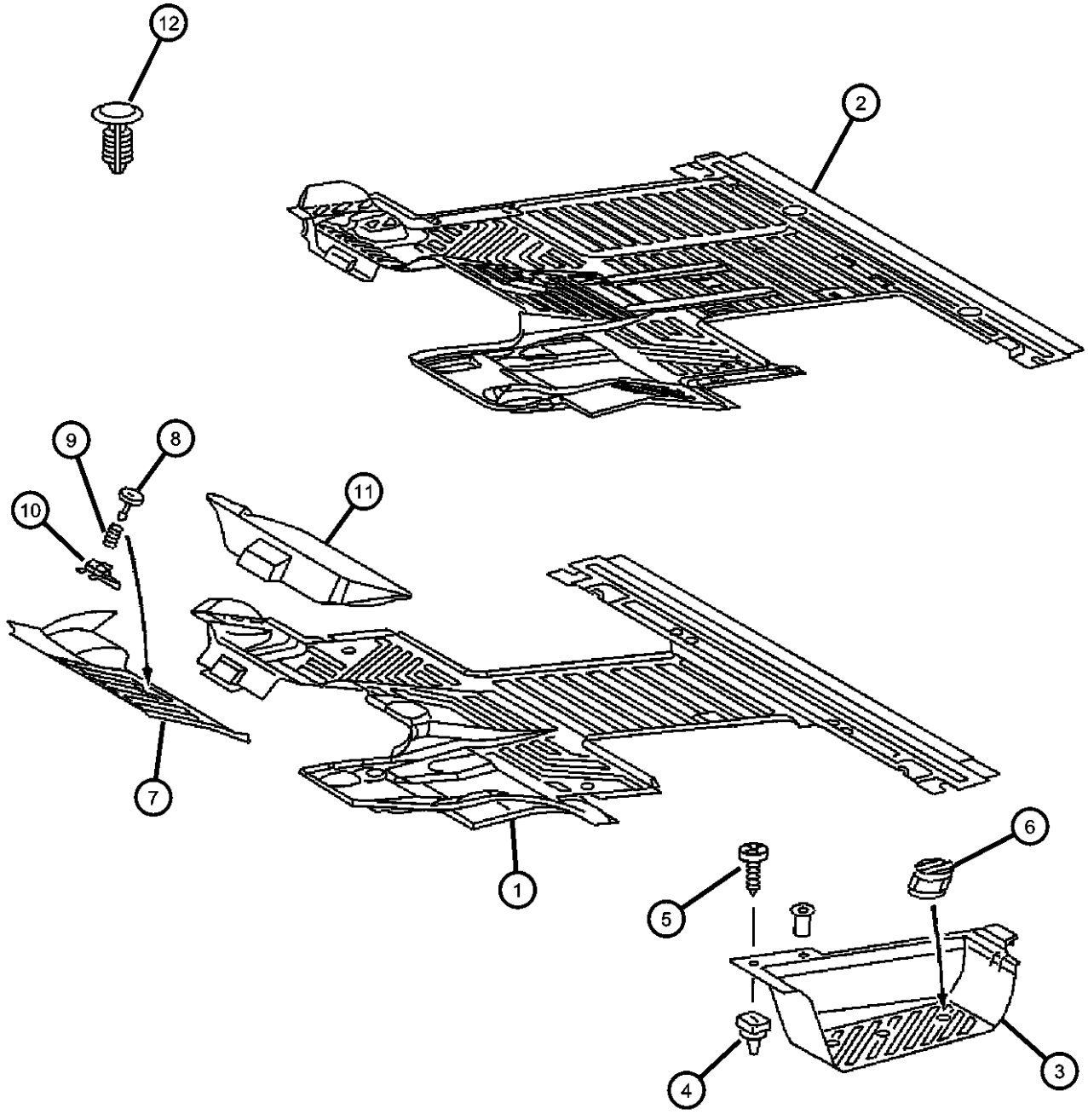
SPRINTER (VA)

SERIES	LINE	BODY	ENGINE	TRANSMISSION
L = LOWLINE	3 = HD DODGE 2WD 8 = HD DODGE 4WD 6 = Lt. Duty DODGE 4WD 2 = Med. Duty DODGE 2WD 7 = Med. Duty DODGE 4WD 4 = TRUCK	01 = CHASSIS FORWARD CONTROL W.B.1 02 = CAB CHASSIS WHEEL BASE 2 06 = CAB CHASSIS WHEEL BASE 6 11 = VAN WHEEL BASE 1 12 = VAN WHEEL BASE 2 51 = WAGON WHEEL BASE 1 52 = WAGON WHEEL BASE 2 14 = VAN WHEEL BASE 4 15 = VAN WHEEL BASE 5 54 = WAGON WHEEL BASE 4 55 = WAGON WHEEL BASE 5 56 = WAGON WHEEL BASE 6 16 = VAN WHEEL BASE 6	EX8 = 2.7L I5 Turbo Diesel Engine EX9 = 2.7L I5 Mercedes-Benz TD Engine	DGJ = 5-Speed Automatic MB Transmission DGZ = 4-Spd. Automatic MT643 Transmission

AR = use ase required - = Non illustrated part

**Floor Lining, Entry Paneling & Footrest
Figure IVA-315**

ITEM	PART NUMBER	QTY	LINE	SERIES	BODY	ENGINE	TRANS	TRIM	DESCRIPTION	
1	05122633AA	1	2, 6	L	51, 52, 54, 55, 56				MAT, Front Floor, Rubber Rubber	
		1	3, 7	L	12, 15, 16				Rubber	
	05122640AA	1	2, 6	L	11, 12, 14, 15, 16				Rubber, With Floor Console	
		1	2, 6	L	51, 52, 54, 55, 56				Rubber, With Floor Console	
		1	3, 7	L	12, 15, 16				Rubber, With Floor Console	
	05122614AA	1	2, 6	L	11, 12, 14, 15, 16				Lining	
		1	2, 6	L	51, 52, 54, 55, 56				Lining	
		1	2, 6	L	11, 12, 14, 15, 16				Rubber	
	2	05104264AA	1	2, 6	L	11, 12, 14, 15, 16				MAT, Front Floor, Rubber With Partition Wall
			1	3, 7	L	12, 15, 16				With Partition Wall
05122635AA		1	2, 6	L	11, 12, 14, 15, 16				With Center Console	
		1	2, 6	L	51, 52, 54, 55, 56				With Center Console	
		1	3, 7	L	12, 15, 16				With Center Console	
3	05104265AA	1	2, 6	L	01, 02, 06				PLATE, Scuff Left	
		1	2, 6	L	11, 12, 14, 15, 16				Left	
		1	2, 6	L	51, 52, 54, 55, 56				Left	
		1	3, 7	L	02, 06				Left	
		1	3, 7	L	12, 15, 16				Left	
	05122821AA	1	2, 6	L	01, 02, 06				Right	
		1	2, 6	L	11, 12, 14, 15, 16				Right	

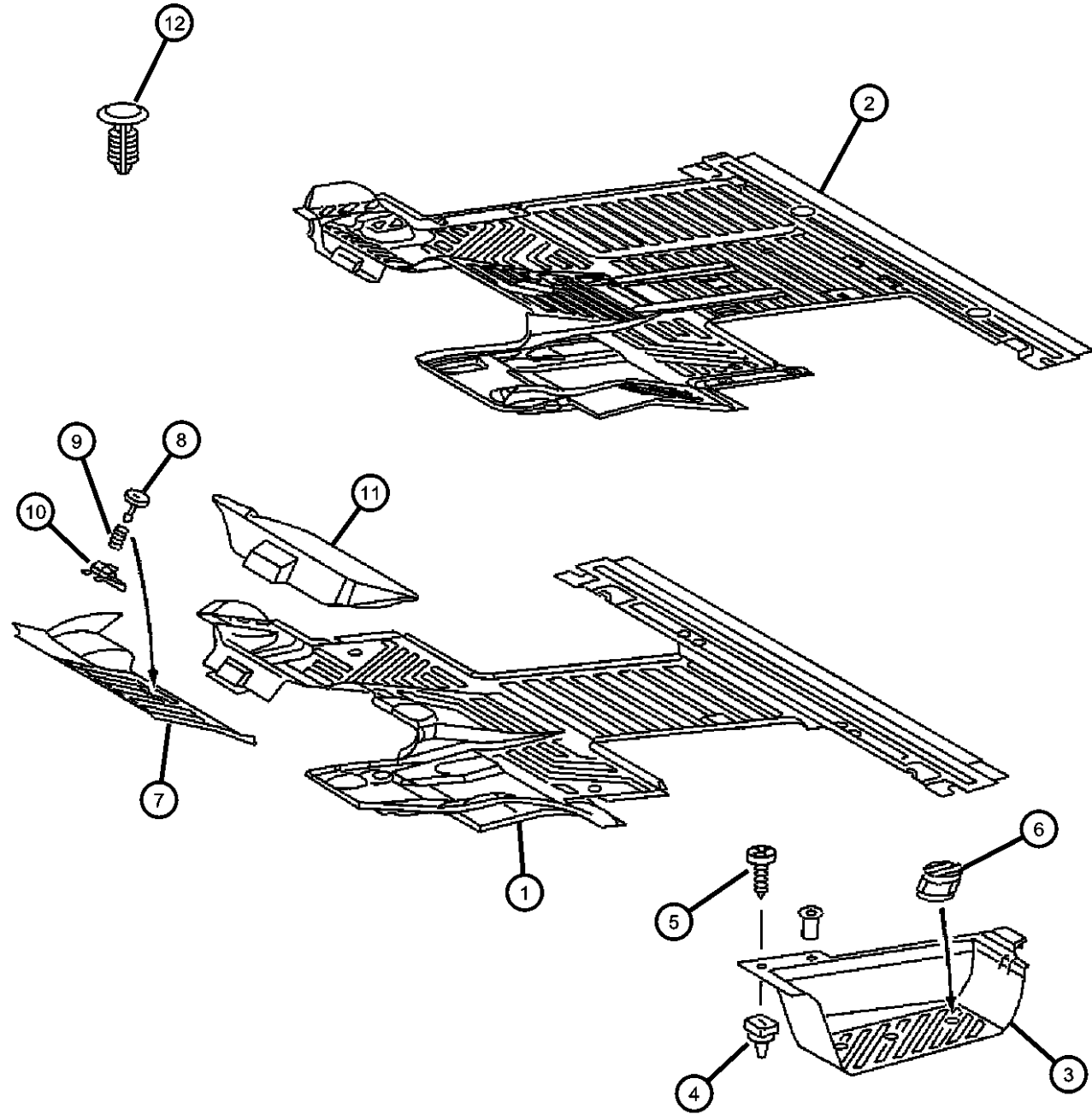


SPRINTER (VA)

SERIES	LINE	BODY	ENGINE	TRANSMISSION
L = LOWLINE	3 = HD DODGE 2WD 8 = HD DODGE 4WD 6 = Lt. Duty DODGE 4WD 2 = Med. Duty DODGE 2WD 7 = Med. Duty DODGE 4WD 4 = TRUCK	01 = CHASSIS FORWARD CONTROL W.B.1 02 = CAB CHASSIS WHEEL BASE 2 06 = CAB CHASSIS WHEEL BASE 6 11 = VAN WHEEL BASE 1 12 = VAN WHEEL BASE 2 51 = WAGON WHEEL BASE 1 52 = WAGON WHEEL BASE 2 14 = VAN WHEEL BASE 4 15 = VAN WHEEL BASE 5 54 = WAGON WHEEL BASE 4 55 = WAGON WHEEL BASE 5 56 = WAGON WHEEL BASE 6 16 = VAN WHEEL BASE 6	EX8 = 2.7L I5 Turbo Diesel Engine EX9 = 2.7L I5 Mercedes-Benz TD Engine	DGJ = 5-Speed Automatic MB Transmission DGZ = 4-Spd. Automatic MT643 Transmission

AR = use ase required - = Non illustrated part

**Floor Lining, Entry Paneling & Footrest
Figure IVA-315**



ITEM	PART NUMBER	QTY	LINE	SERIES	BODY	ENGINE	TRANS	TRIM	DESCRIPTION
		1	2, 6	L	51, 52, 54, 55, 56				Right
	05122822AA	1	2, 6	L	01, 02, 06				Illuminated Exit, Left
		1	2, 6	L	11, 12, 14, 15, 16				Illuminated Exit, Left
		1	2, 6	L	51, 52, 54, 55, 56				Illuminated Exit, Left
		1	3, 7	L	02, 06				Illuminated Exit, Left
	05122824AA	1	3, 7	L	12, 15, 16				Illuminated Exit, Left
		1	2, 6	L	01, 02, 06				Illuminated Exit, Right
		1	2, 6	L	11, 12, 14, 15, 16				Illuminated Exit, Right
		1	2, 6	L	51, 52, 54, 55, 56				Illuminated Exit, Right
		1	3, 7	L	02, 06				Illuminated Exit, Right
		1	3, 7	L	12, 15, 16				Illuminated Exit, Right
4	05098837AB	6	2, 6	L	51, 52, 54, 55, 56				NUT, Plastic Snap-in
		2	3, 7	L	02, 06				
		16	3, 7	L	12, 15, 16				
		6	2, 6	L	01, 02, 06				
		6	2, 6	L	11, 12, 14, 15, 16				
5	06104575AA	6	2, 6	L	01, 02, 06				SCREW
		6	2, 6	L	11, 12, 14, 15, 16				
		6	2, 6	L	51, 52, 54, 55, 56				
		6	3, 7	L	02, 06				
		6	3, 7	L	12, 15, 16				

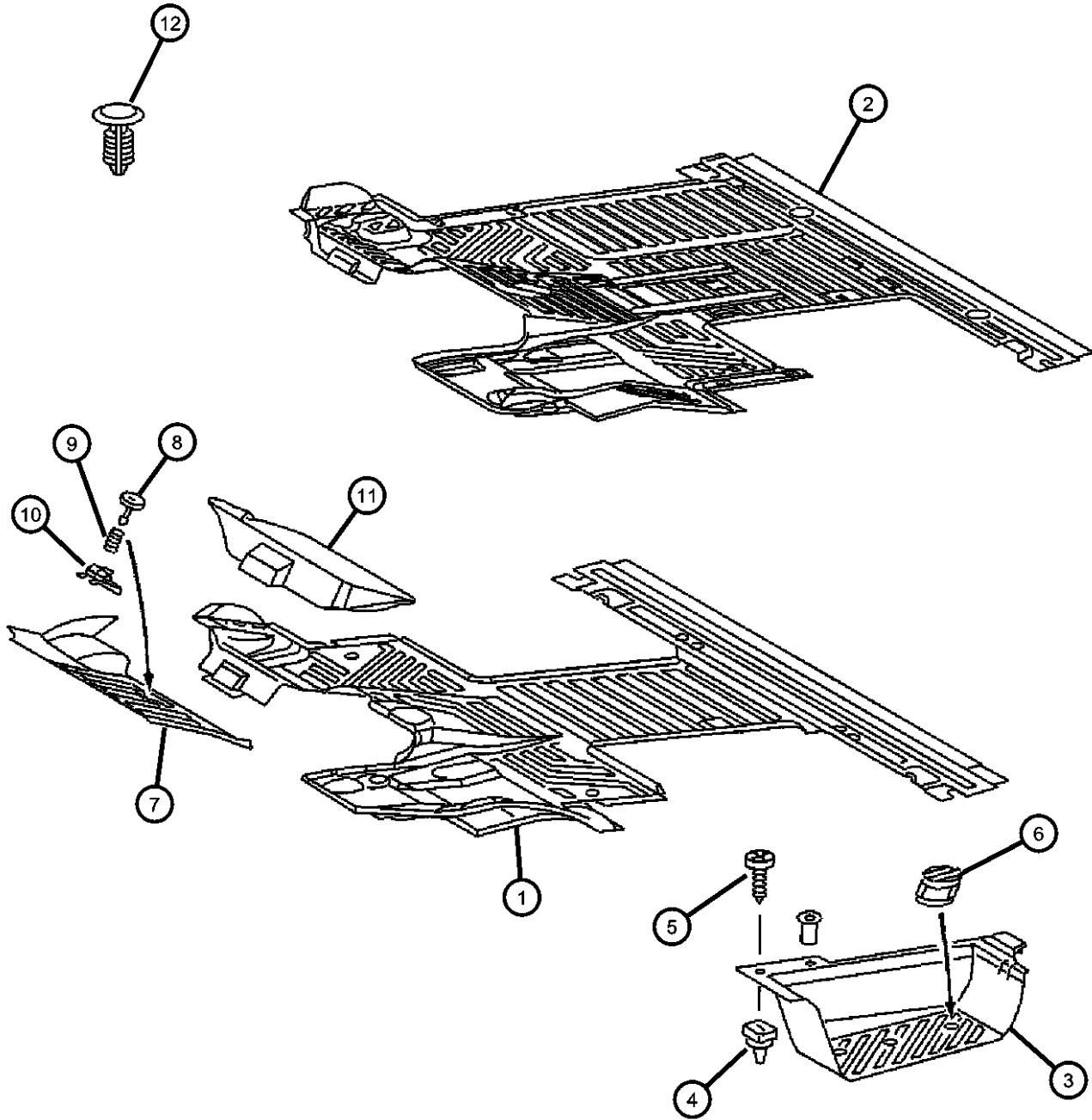
SPRINTER (VA)

SERIES	LINE	BODY	ENGINE	TRANSMISSION
L = LOWLINE	3 = HD DODGE 2WD 8 = HD DODGE 4WD 6 = Lt. Duty DODGE 4WD 2 = Med. Duty DODGE 2WD 7 = Med. Duty DODGE 4WD 4 = TRUCK	01 = CHASSIS FORWARD CONTROL W.B.1 02 = CAB CHASSIS WHEEL BASE 2 06 = CAB CHASSIS WHEEL BASE 6 11 = VAN WHEEL BASE 1 12 = VAN WHEEL BASE 2 51 = WAGON WHEEL BASE 1 52 = WAGON WHEEL BASE 2 14 = VAN WHEEL BASE 4 15 = VAN WHEEL BASE 5 54 = WAGON WHEEL BASE 4 55 = WAGON WHEEL BASE 5 56 = WAGON WHEEL BASE 6 16 = VAN WHEEL BASE 6	EX8 = 2.7L I5 Turbo Diesel Engine EX9 = 2.7L I5 Mercedes-Benz TD Engine	DGJ = 5-Speed Automatic MB Transmission DGZ = 4-Spd. Automatic MT643 Transmission

AR = use ase required - = Non illustrated part

**Floor Lining, Entry Paneling & Footrest
Figure IVA-315**

ITEM	PART NUMBER	QTY	LINE	SERIES	BODY	ENGINE	TRANS	TRIM	DESCRIPTION
6	05104549AA	3	2, 6	L	51, 52, 54, 55, 56				PLUG
		3	3, 7	L	02, 06				
		3	3, 7	L	12, 15, 16				
		3	2, 6	L	01, 02, 06				
		3	2, 6	L	11, 12, 14, 15, 16				
7	05122408AA	1	2, 6	L	01, 02, 06				COVER, Jack
		1	2, 6	L	11, 12, 14, 15, 16				
		1	2, 6	L	51, 52, 54, 55, 56				
		1	3, 7	L	02, 06				
		1	3, 7	L	12, 15, 16				
8	05122665AA	1	2, 6	L	01, 02, 06				FASTENER, Footrest
		1	2, 6	L	11, 12, 14, 15, 16				
		1	2, 6	L	51, 52, 54, 55, 56				
		1	3, 7	L	02, 06				
		1	3, 7	L	12, 15, 16				
9	05125845AA	1	2, 6	L	01, 02, 06				SPRING
		1	2, 6	L	11, 12, 14, 15, 16				
		1	2, 6	L	51, 52, 54, 55, 56				
		1	3, 7	L	02, 06				
		1	3, 7	L	12, 15, 16				



SPRINTER (VA)

SERIES

L = LOWLINE
 3 = HD DODGE 2WD
 8 = HD DODGE 4WD
 6 = Lt. Duty DODGE 4WD
 2 = Med. Duty DODGE 2WD
 7 = Med. Duty DODGE 4WD
 4 = TRUCK

LINE

3 = HD DODGE 2WD
 8 = HD DODGE 4WD
 6 = Lt. Duty DODGE 4WD
 2 = Med. Duty DODGE 2WD
 7 = Med. Duty DODGE 4WD
 4 = TRUCK

BODY

01 = CHASSIS FORWARD CONTROL W.B.1
 02 = CAB CHASSIS WHEEL BASE 2
 06 = CAB CHASSIS WHEEL BASE 6
 11 = VAN WHEEL BASE 1
 12 = VAN WHEEL BASE 2
 51 = WAGON WHEEL BASE 1
 52 = WAGON WHEEL BASE 2
 14 = VAN WHEEL BASE 4
 15 = VAN WHEEL BASE 5
 54 = WAGON WHEEL BASE 4
 55 = WAGON WHEEL BASE 5
 56 = WAGON WHEEL BASE 6
 16 = VAN WHEEL BASE 6

ENGINE

EX8 = 2.7L I5 Turbo Diesel Engine
 EX9 = 2.7L I5 Mercedes-Benz TD Engine

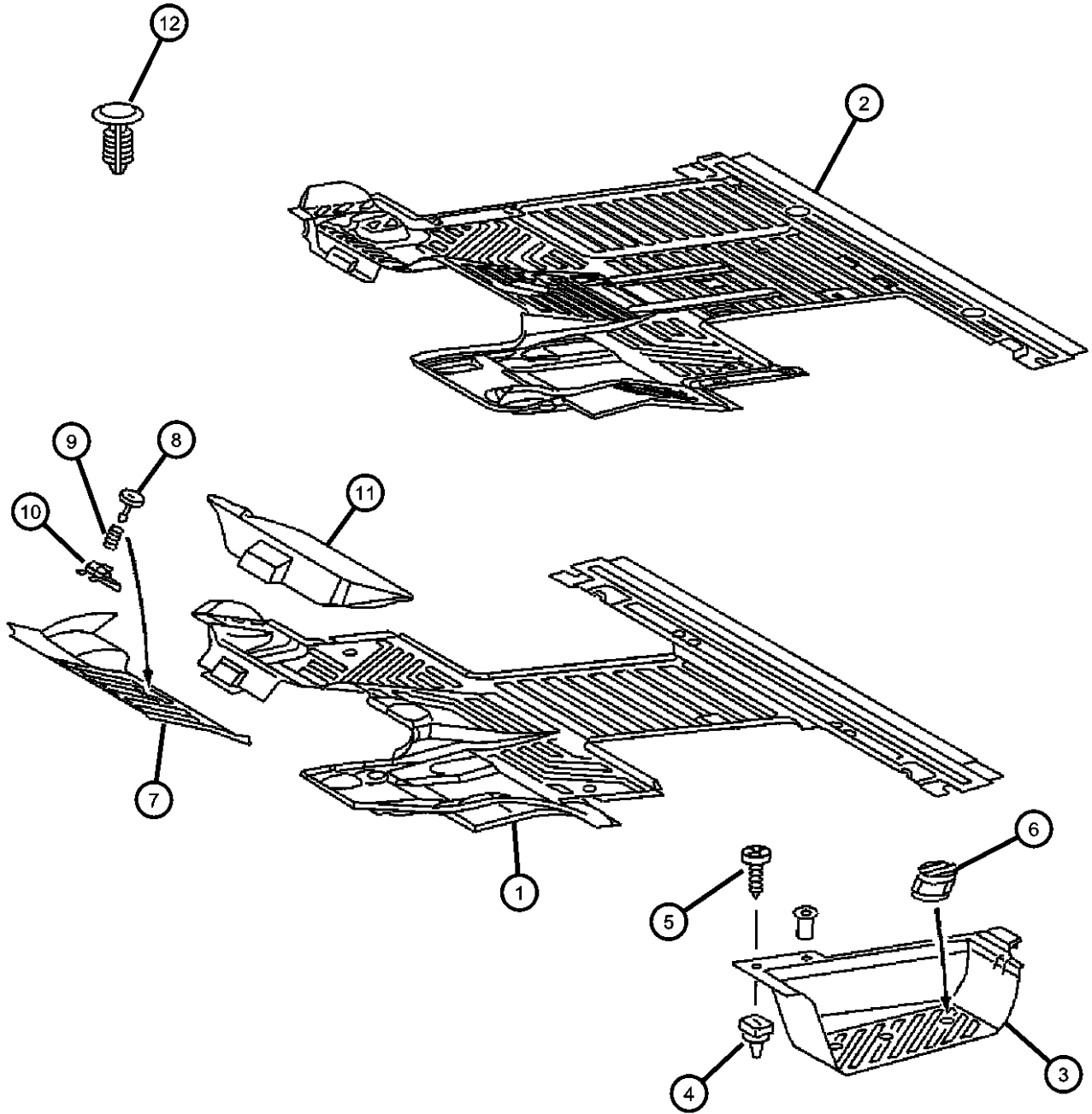
TRANSMISSION

DGJ = 5-Speed Automatic MB Transmission
 DGZ = 4-Spd. Automatic MT643 Transmission

AR = use ase required - = Non illustrated part

**Floor Lining, Entry Paneling & Footrest
Figure IVA-315**

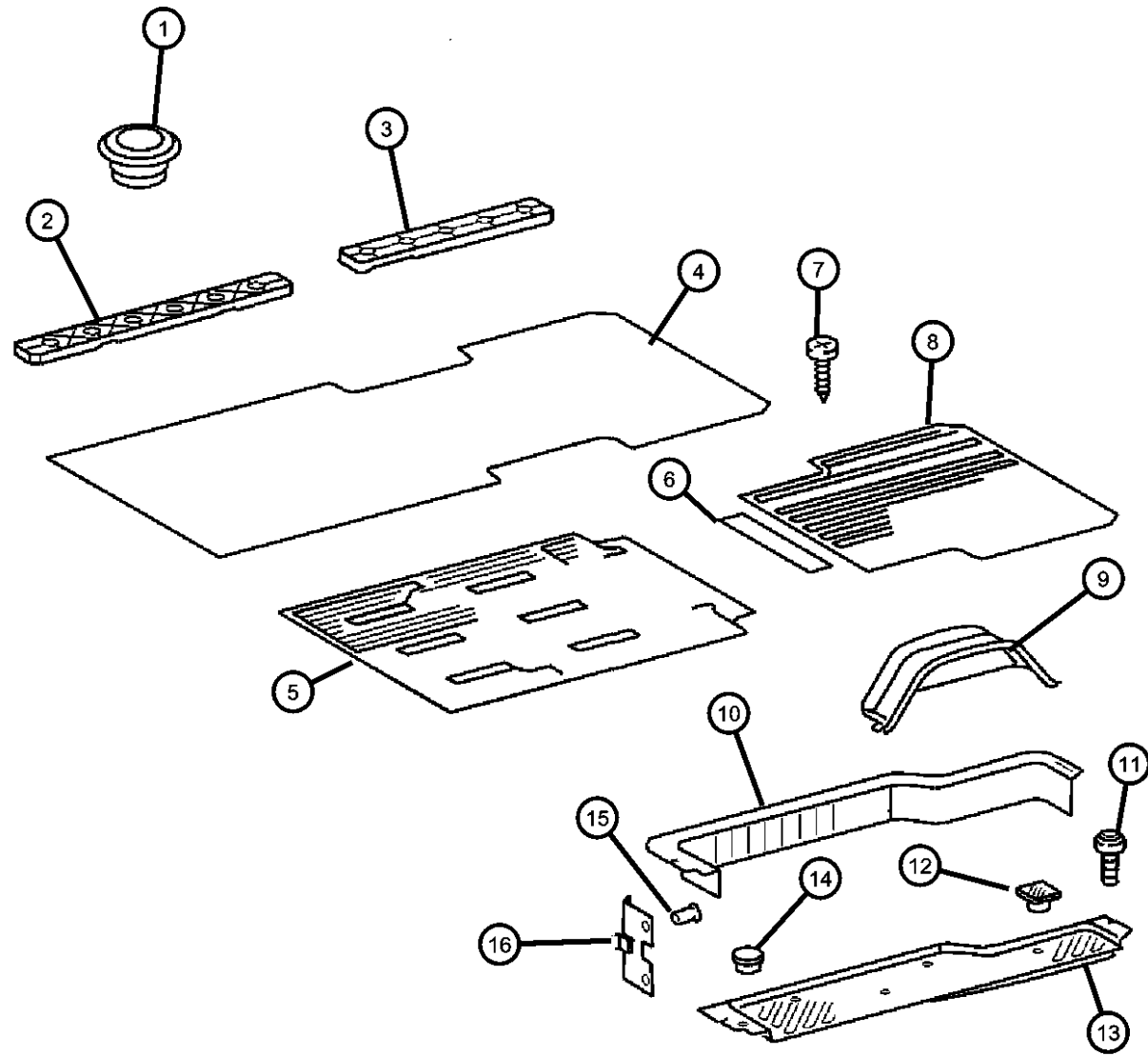
ITEM	PART NUMBER	QTY	LINE	SERIES	BODY	ENGINE	TRANS	TRIM	DESCRIPTION
10	05125587AA	1	2, 6	L	01, 02, 06				CLIP, Footrest
		1	2, 6	L	11, 12, 14, 15, 16				
		1	2, 6	L	51, 52, 54, 55, 56				
		1	3, 7	L	02, 06				
		1	3, 7	L	12, 15, 16				
11	05122662AA	1	3, 7	L	12, 15, 16				SUPPORT, Jack
		1	2, 6	L	01, 02, 06				
		1	2, 6	L	11, 12, 14, 15, 16				
		1	2, 6	L	51, 52, 54, 55, 56				
		1	3, 7	L	02, 06				
12	05103817AA	2	2, 6	L	01, 02, 06				PLUG, Seat Mounting
		2	2, 6	L	11, 12, 14, 15, 16				
		2	2, 6	L	51, 52, 54, 55, 56				
		2	3, 7	L	02, 06				
		2	3, 7	L	12, 15, 16				
-13	05125906AA	4	2, 6	L	01, 02, 06				SEAL, Paneling to Entry Front
		4	2, 6	L	11, 12, 14, 15, 16				
		4	2, 6	L	51, 52, 54, 55, 56				
		4	3, 7	L	02, 06				
		4	3, 7	L	12, 15, 16				



SPRINTER (VA)
 SERIES LINE BODY ENGINE TRANSMISSION
 L = LOWLINE 3 = HD DODGE 2WD 01 = CHASSIS FORWARD CONTROL W.B.1 EX8 = 2.7L I5 Turbo Diesel Engine DGJ = 5-Speed Automatic MB Transmission
 8 = HD DODGE 4WD 02 = CAB CHASSIS WHEEL BASE 2 EX9 = 2.7L I5 Mercedes-Benz TD Engine DGZ = 4-Spd. Automatic MT643 Transmission
 6 = Lt. Duty DODGE 4WD 06 = CAB CHASSIS WHEEL BASE 6
 2 = Med. Duty DODGE 2WD 11 = VAN WHEEL BASE 1
 7 = Med. Duty DODGE 4WD 12 = VAN WHEEL BASE 2
 4 = TRUCK 51 = WAGON WHEEL BASE 1
 52 = WAGON WHEEL BASE 2
 14 = VAN WHEEL BASE 4
 15 = VAN WHEEL BASE 5
 54 = WAGON WHEEL BASE 4
 55 = WAGON WHEEL BASE 5
 56 = WAGON WHEEL BASE 6
 16 = VAN WHEEL BASE 6

AR = use ase required - = Non illustrated part

Floor - Rubber
Figure IVA-320



ITEM	PART NUMBER	QTY	LINE	SERIES	BODY	ENGINE	TRANS	TRIM	DESCRIPTION
1	05125991AA	2	2, 6	L	11, 12, 14, 15, 16				PLUG
		99	2, 6	L	51, 52, 54, 55, 56				
		2	3, 7	L	12, 15, 16				
2	05122650AA	2	2, 6	L	11, 12, 14, 15, 16				COVER, Seat Track Front
		1	2, 6	L	51, 52, 54, 55, 56				Front
		3	3, 7	L	12, 15, 16				Front
3	05122642AA	99	2, 6	L	11, 12, 14, 15, 16				COVER, Seat Track Rear
		1	2, 6	L	51, 52, 54, 55, 56				Rear
		1	3, 7	L	12, 15, 16				Rear
4	05131455AA	1	2, 6	L	11, 14				MAT, Floor
		1	2, 6	L	51, 54				
5	05122572AA	1	3, 7	L	16				MAT, Front Floor, Rubber 158 Inch Wheelbase
	05122564AA	1	3, 7	L	12, 15				140 Inch Wheelbase
	05131462AA	1	2, 6	L	12, 15				140 Inch Wheelbase
		1	2, 6	L	52, 55				140 Inch Wheelbase
	05131469AA	1	2, 6	L	11, 14, 16				158 Inch Wheelbase
		1	2, 6	L	51, 54, 56				158 Inch Wheelbase
6	05122835AA	1	2, 6	L	51, 52, 54, 55, 56				PLATE With Load Compartment Sliding Door, Right

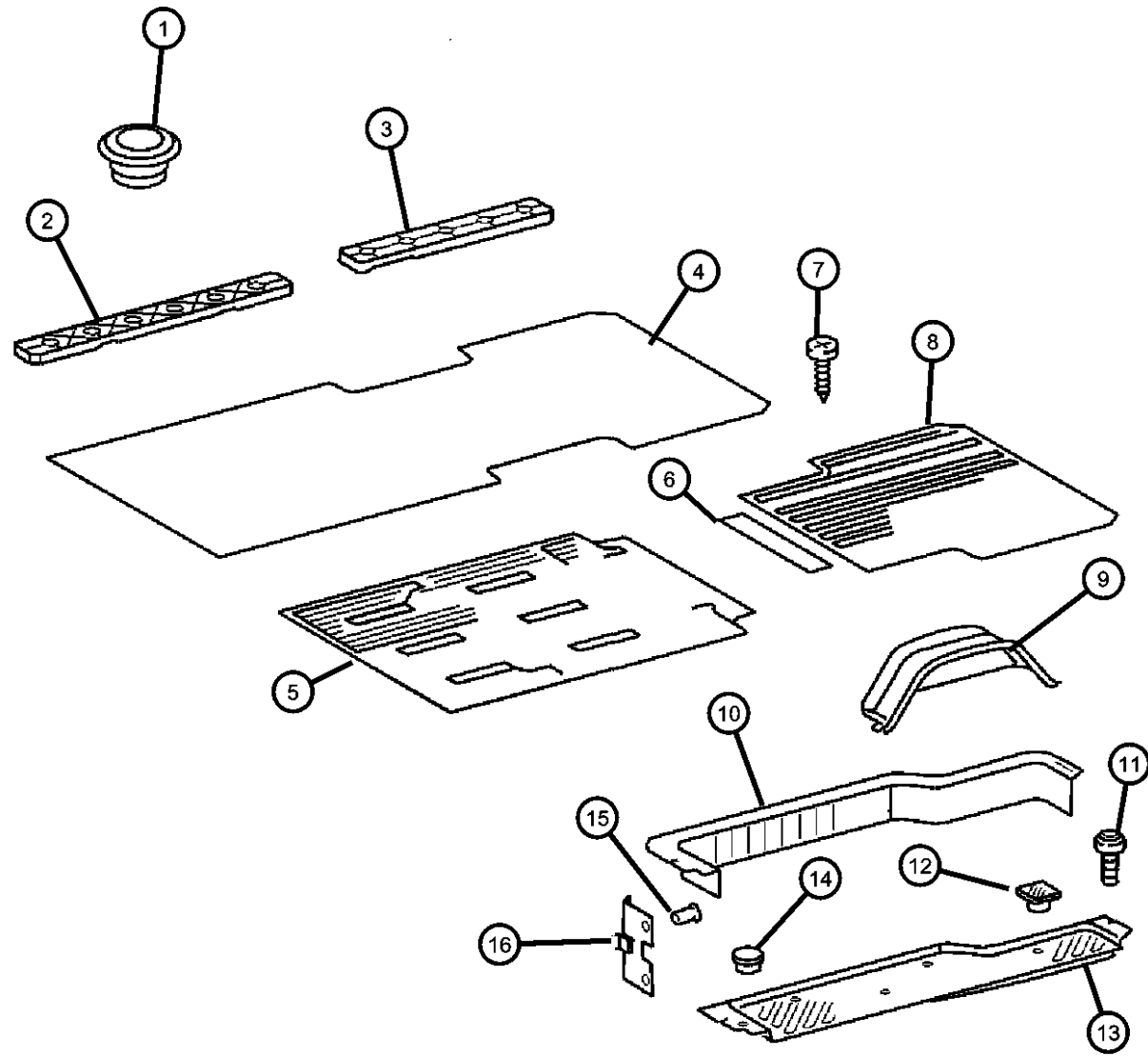
SPRINTER (VA)

SERIES	LINE	BODY	ENGINE	TRANSMISSION
L = LOWLINE	3 = HD DODGE 2WD 8 = HD DODGE 4WD 6 = Lt. Duty DODGE 4WD 2 = Med. Duty DODGE 2WD 7 = Med. Duty DODGE 4WD 4 = TRUCK	01 = CHASSIS FORWARD CONTROL W.B.1 02 = CAB CHASSIS WHEEL BASE 2 06 = CAB CHASSIS WHEEL BASE 6 11 = VAN WHEEL BASE 1 12 = VAN WHEEL BASE 2 51 = WAGON WHEEL BASE 1 52 = WAGON WHEEL BASE 2 14 = VAN WHEEL BASE 4 15 = VAN WHEEL BASE 5 54 = WAGON WHEEL BASE 4 55 = WAGON WHEEL BASE 5 56 = WAGON WHEEL BASE 6 16 = VAN WHEEL BASE 6	EX8 = 2.7L I5 Turbo Diesel Engine EX9 = 2.7L I5 Mercedes-Benz TD Engine	DGJ = 5-Speed Automatic MB Transmission DGZ = 4-Spd. Automatic MT643 Transmission

AR = use ase required - = Non illustrated part

2006 VA

Floor - Rubber
Figure IVA-320



ITEM	PART NUMBER	QTY	LINE	SERIES	BODY	ENGINE	TRANS	TRIM	DESCRIPTION
		1	3, 7	L	12, 15, 16				With Load Compartment Sliding Door, Right
	05122837AA	1	2, 6	L	11, 12, 14, 15, 16				With Load Compartment Sliding Door, Left
		1	2, 6	L	51, 52, 54, 55, 56				With Load Compartment Sliding Door, Left
		1	3, 7	L	12, 15, 16				With Load Compartment Sliding Door, Left
		1	2, 6	L	11, 12, 14, 15, 16				With Load Compartment Sliding Door, Right
	05122842AA	1	2, 6	L	11, 12, 14, 15, 16				Without Load Compartment Sliding Door
		1	2, 6	L	51, 52, 54, 55, 56				Without Load Compartment Sliding Door
		1	3, 7	L	12, 15, 16				Without Load Compartment Sliding Door
	05122840AA	1	2, 6	L	11, 12, 14, 15, 16				With Load Compartment Sliding Door, Left and Right
		1	2, 6	L	51, 52, 54, 55, 56				With Load Compartment Sliding Door, Left and Right
		1	3, 7	L	12, 15, 16				With Load Compartment Sliding Door, Left and Right
7									RIVET, RIVET
	05133555AA	7	2, 6	L	51, 52, 54, 55, 56				
		7	2, 6	L	11, 12, 14, 15, 16				
		6	3, 7	L	12, 15, 16				
8									MAT, Floor
	05122580AA	1	3, 7	L	12, 15				140 Inch Wheelhouse, Rear
	05122581AA	1	3, 7	L	16				158 Inch Wheelhouse, Rear
	05131477AA	1	2, 6	L	16				158 Inch Wheelhouse, Rear
		1	2, 6	L	56				158 Inch Wheelhouse, Rear
	05131478AA	1	2, 6	L	12, 15				140 Inch Wheelhouse, Rear
		1	2, 6	L	52, 55				140 Inch Wheelhouse, Rear

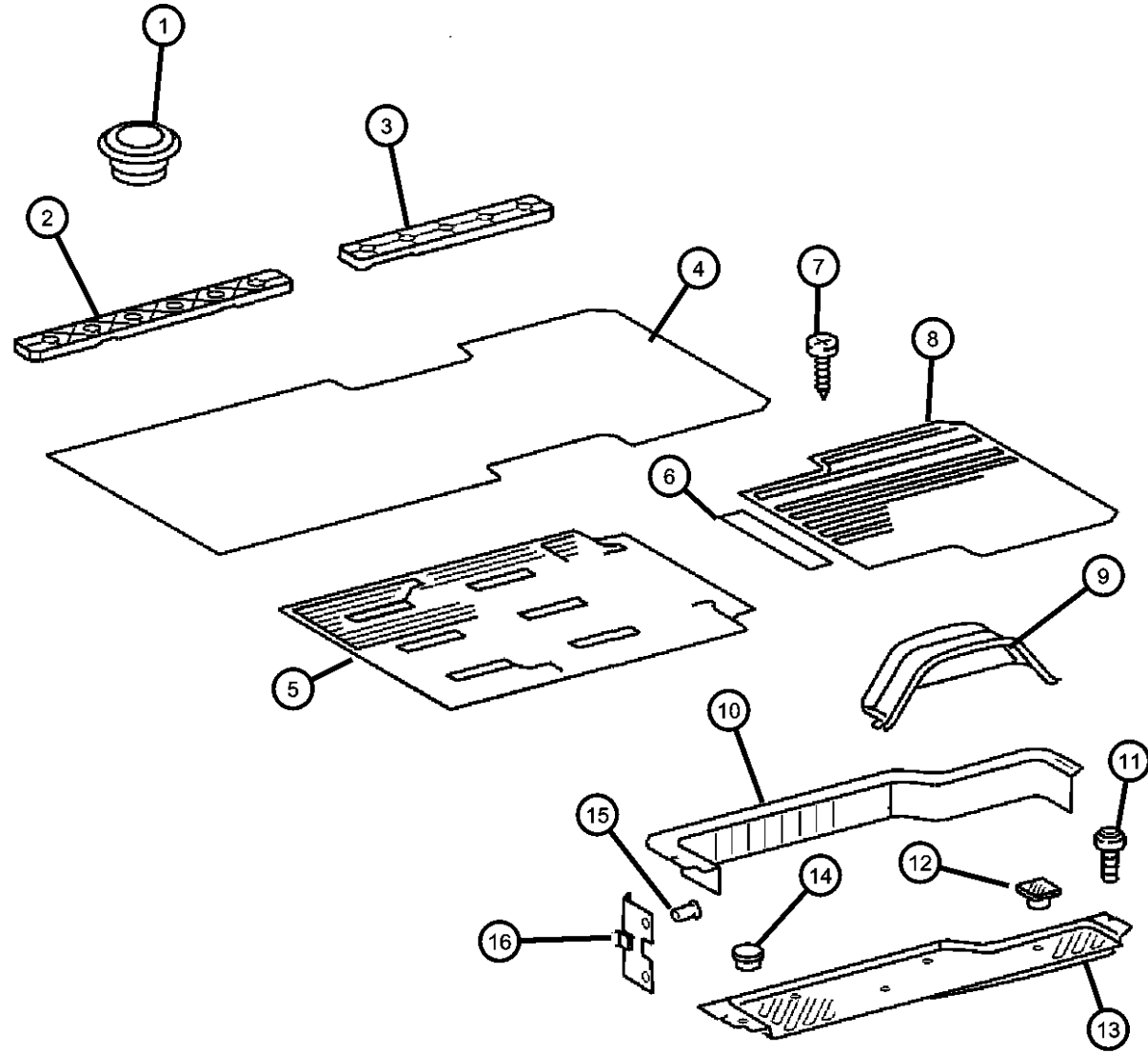
SPRINTER (VA)

SERIES	LINE	BODY	ENGINE	TRANSMISSION
L = LOWLINE	3 = HD DODGE 2WD 8 = HD DODGE 4WD 6 = Lt. Duty DODGE 4WD 2 = Med. Duty DODGE 2WD 7 = Med. Duty DODGE 4WD 4 = TRUCK	01 = CHASSIS FORWARD CONTROL W.B.1 02 = CAB CHASSIS WHEEL BASE 2 06 = CAB CHASSIS WHEEL BASE 6 11 = VAN WHEEL BASE 1 12 = VAN WHEEL BASE 2 51 = WAGON WHEEL BASE 1 52 = WAGON WHEEL BASE 2 14 = VAN WHEEL BASE 4 15 = VAN WHEEL BASE 5 54 = WAGON WHEEL BASE 4 55 = WAGON WHEEL BASE 5 56 = WAGON WHEEL BASE 6 16 = VAN WHEEL BASE 6	EX8 = 2.7L I5 Turbo Diesel Engine EX9 = 2.7L I5 Mercedes-Benz TD Engine	DGJ = 5-Speed Automatic MB Transmission DGZ = 4-Spd. Automatic MT643 Transmission

AR = use ase required - = Non illustrated part

2006 VA

Floor - Rubber
Figure IVA-320



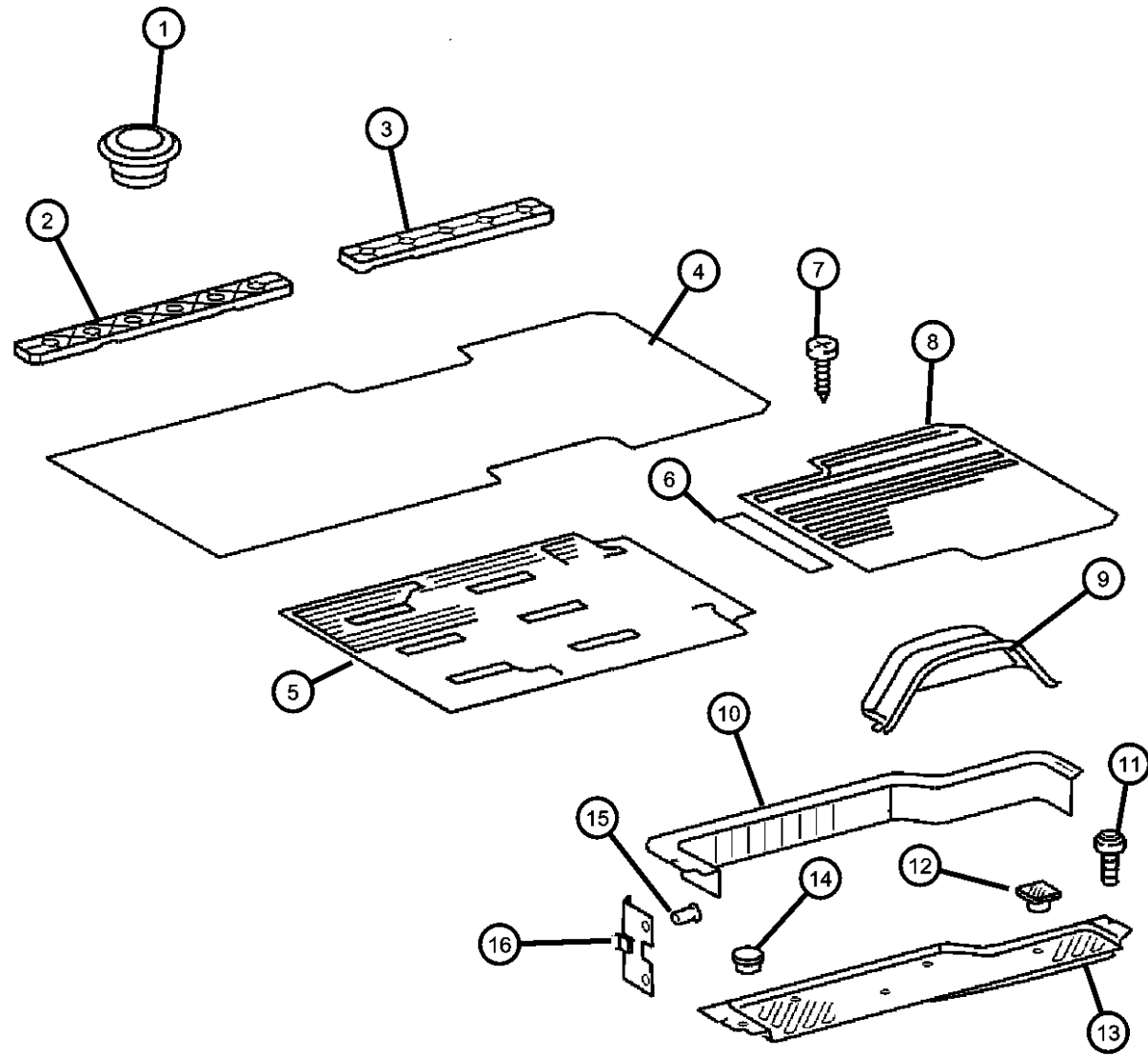
ITEM	PART NUMBER	QTY	LINE	SERIES	BODY	ENGINE	TRANS	TRIM	DESCRIPTION
9									MAT, Wheelhouse
	05122563AA	2	3, 7	L	12, 15, 16				3500 GVW
	05131453AA	2	2, 6	L	11, 12, 14, 15, 16				2500 GVW
		2	2, 6	L	51, 52, 54, 55, 56				2500 GVW
10									PANEL, Sliding Door Trim
	05122825AA	1	2, 6	L	11, 12, 14, 15, 16				Sliding Door Left
		1	2, 6	L	51, 52, 54, 55, 56				Sliding Door Left
		1	3, 7	L	12, 15, 16				Sliding Door Left
	05122827AA	1	2, 6	L	11, 12, 14, 15, 16				Sliding Door Right
		1	2, 6	L	51, 52, 54, 55, 56				Sliding Door Right
		1	3, 7	L	12, 15, 16				Sliding Door Right
	05122830AA	1	2, 6	L	11, 12, 14, 15, 16				Sliding Door Left With Entrance Light
		1	2, 6	L	51, 52, 54, 55, 56				Sliding Door Left With Entrance Light
		1	3, 7	L	12, 15, 16				Sliding Door Left With Entrance Light
	05122832AA	1	2, 6	L	11, 12, 14, 15, 16				Sliding Door Right With Entrance Light
		1	2, 6	L	51, 52, 54, 55, 56				Sliding Door Right With Entrance Light
		1	3, 7	L	12, 15, 16				Sliding Door Right With Entrance Light
11									SCREW
	06104142AA	2	2, 6	L	11, 12, 14, 15, 16				
		2	2, 6	L	51, 52, 54, 55, 56				
		2	2, 6	L	01, 02, 06				

SPRINTER (VA)

SERIES	LINE	BODY	ENGINE	TRANSMISSION
L = LOWLINE	3 = HD DODGE 2WD 8 = HD DODGE 4WD 6 = Lt. Duty DODGE 4WD 2 = Med. Duty DODGE 2WD 7 = Med. Duty DODGE 4WD 4 = TRUCK	01 = CHASSIS FORWARD CONTROL W.B.1 02 = CAB CHASSIS WHEEL BASE 2 06 = CAB CHASSIS WHEEL BASE 6 11 = VAN WHEEL BASE 1 12 = VAN WHEEL BASE 2 51 = WAGON WHEEL BASE 1 52 = WAGON WHEEL BASE 2 14 = VAN WHEEL BASE 4 15 = VAN WHEEL BASE 5 54 = WAGON WHEEL BASE 4 55 = WAGON WHEEL BASE 5 56 = WAGON WHEEL BASE 6 16 = VAN WHEEL BASE 6	EX8 = 2.7L I5 Turbo Diesel Engine EX9 = 2.7L I5 Mercedes-Benz TD Engine	DGJ = 5-Speed Automatic MB Transmission DGZ = 4-Spd. Automatic MT643 Transmission

AR = use ase required - = Non illustrated part

Floor - Rubber
Figure IVA-320



ITEM	PART NUMBER	QTY	LINE	SERIES	BODY	ENGINE	TRANS	TRIM	DESCRIPTION
		2	3, 7	L	12, 15, 16				
		2	3, 7	L	02, 06				
12	05122811AA	4	2, 6	L	51, 52, 54, 55, 56				PLUG
		4	2, 6	L	11, 12, 14, 15, 16				
		4	3, 7	L	12, 15, 16				
13	05122815AA	1	2, 6	L	11, 12, 14, 15, 16				PAD, Side Cargo Door Sill Entrance Sliding Door, Left
		1	2, 6	L	51, 52, 54, 55, 56				Entrance Sliding Door, Left
		1	3, 7	L	12, 15, 16				Entrance Sliding Door, Left
	05122816AA	1	2, 6	L	11, 12, 14, 15, 16				Entrance Sliding Door, Right
		1	2, 6	L	51, 52, 54, 55, 56				Entrance Sliding Door, Right
		1	3, 7	L	12, 15, 16				Entrance Sliding Door, Right
14	05122808AA	1	2, 6	L	11, 12, 14, 15, 16				PLUG
		1	2, 6	L	51, 52, 54, 55, 56				
		1	3, 7	L	12, 15, 16				
15	05134061AA	8	2, 6	L	11, 12, 14, 15, 16				RIVET
		8	2, 6	L	51, 52, 54, 55, 56				
		8	3, 7	L	12, 15, 16				
16									CLIP, Floor Trim

SPRINTER (VA)

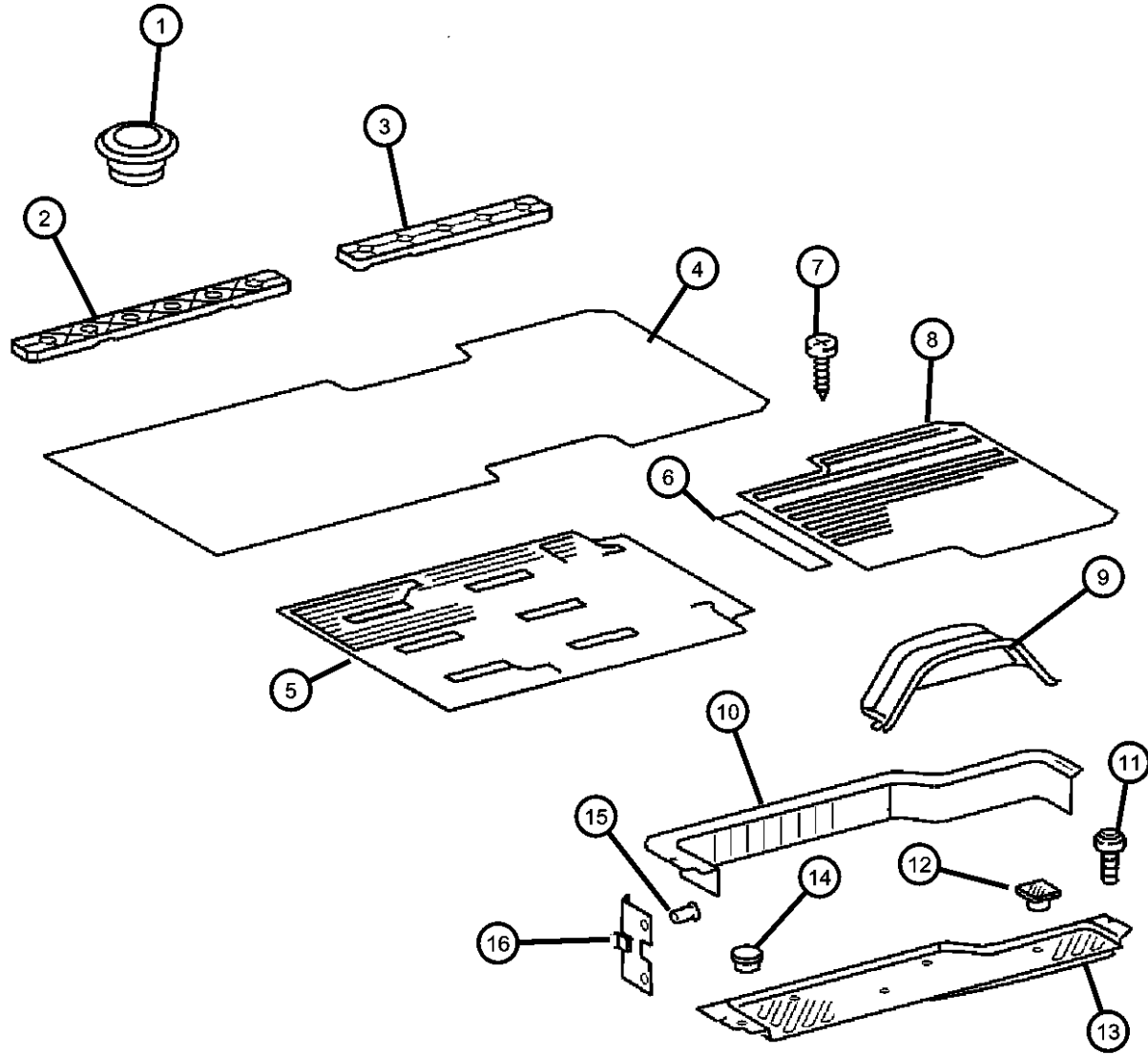
SERIES	LINE	BODY	ENGINE	TRANSMISSION
L = LOWLINE	3 = HD DODGE 2WD 8 = HD DODGE 4WD 6 = Lt. Duty DODGE 4WD 2 = Med. Duty DODGE 2WD 7 = Med. Duty DODGE 4WD 4 = TRUCK	01 = CHASSIS FORWARD CONTROL W.B.1 02 = CAB CHASSIS WHEEL BASE 2 06 = CAB CHASSIS WHEEL BASE 6 11 = VAN WHEEL BASE 1 12 = VAN WHEEL BASE 2 51 = WAGON WHEEL BASE 1 52 = WAGON WHEEL BASE 2 14 = VAN WHEEL BASE 4 15 = VAN WHEEL BASE 5 54 = WAGON WHEEL BASE 4 55 = WAGON WHEEL BASE 5 56 = WAGON WHEEL BASE 6 16 = VAN WHEEL BASE 6	EX8 = 2.7L I5 Turbo Diesel Engine EX9 = 2.7L I5 Mercedes-Benz TD Engine	DGJ = 5-Speed Automatic MB Transmission DGZ = 4-Spd. Automatic MT643 Transmission

AR = use ase required - = Non illustrated part

Floor - Rubber
Figure IVA-320

ITEM	PART NUMBER	QTY	LINE	SERIES	BODY	ENGINE	TRANS	TRIM	DESCRIPTION
------	-------------	-----	------	--------	------	--------	-------	------	-------------

	05125584AA	4	2, 6	L	11, 12, 14, 15, 16				
		4	2, 6	L	51, 52, 54, 55, 56				
		4	3, 7	L	12, 15, 16				



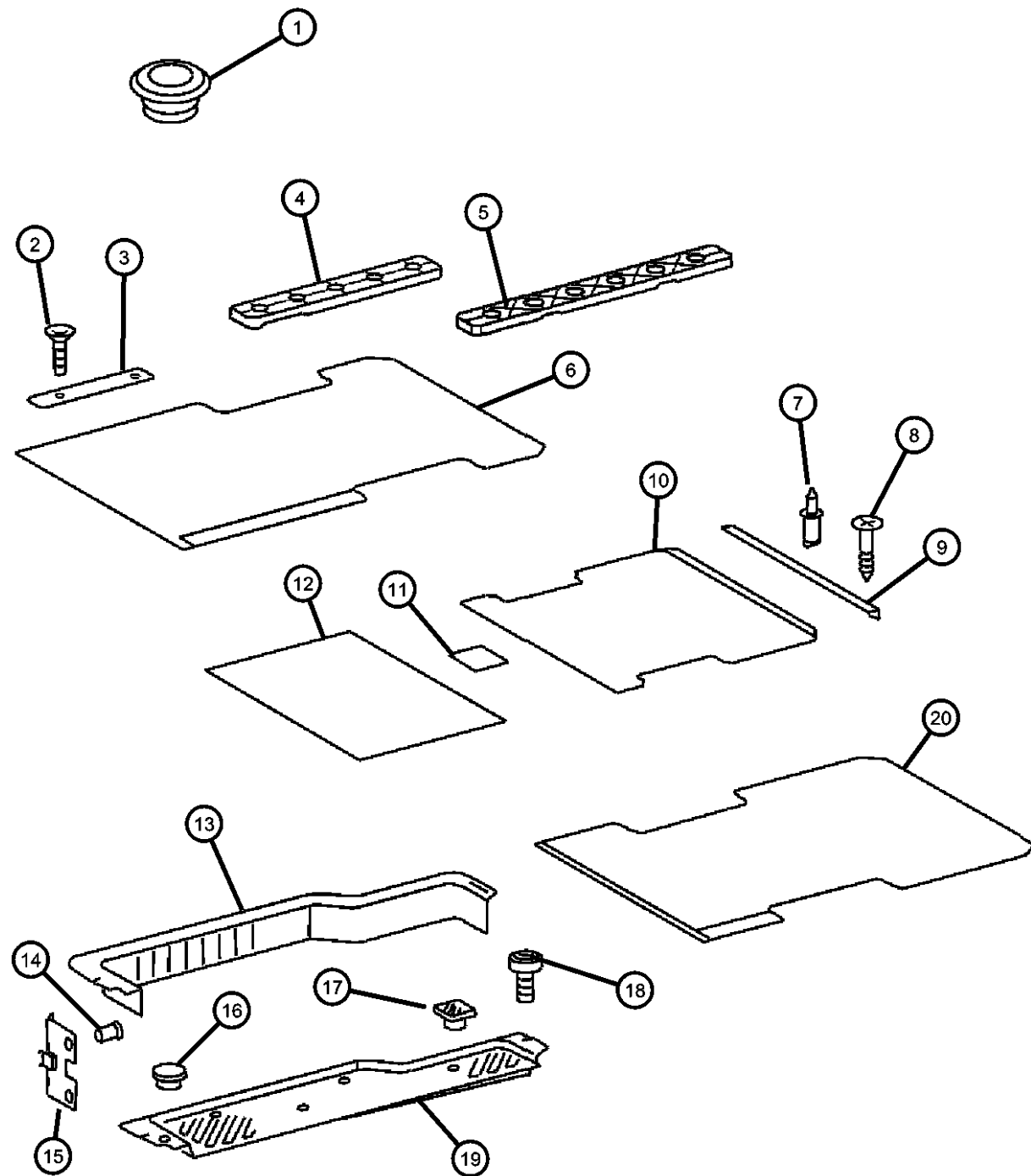
SPRINTER (VA)

SERIES	LINE	BODY	ENGINE	TRANSMISSION
L = LOWLINE	3 = HD DODGE 2WD 8 = HD DODGE 4WD 6 = Lt. Duty DODGE 4WD 2 = Med. Duty DODGE 2WD 7 = Med. Duty DODGE 4WD 4 = TRUCK	01 = CHASSIS FORWARD CONTROL W.B.1 02 = CAB CHASSIS WHEEL BASE 2 06 = CAB CHASSIS WHEEL BASE 6 11 = VAN WHEEL BASE 1 12 = VAN WHEEL BASE 2 51 = WAGON WHEEL BASE 1 52 = WAGON WHEEL BASE 2 14 = VAN WHEEL BASE 4 15 = VAN WHEEL BASE 5 54 = WAGON WHEEL BASE 4 55 = WAGON WHEEL BASE 5 56 = WAGON WHEEL BASE 6 16 = VAN WHEEL BASE 6	EX8 = 2.7L I5 Turbo Diesel Engine EX9 = 2.7L I5 Mercedes-Benz TD Engine	DGJ = 5-Speed Automatic MB Transmission DGZ = 4-Spd. Automatic MT643 Transmission

AR = use ase required - = Non illustrated part

2006 VA

Floor - Wooden
Figure IVA-330



ITEM	PART NUMBER	QTY	LINE	SERIES	BODY	ENGINE	TRANS	TRIM	DESCRIPTION
1	05125991AA	2	2, 6	L	11, 12, 14, 15, 16				PLUG
		99	2, 6	L	51, 52, 54, 55, 56				
		2	3, 7	L	12, 15, 16				
2		2							SCREW, (NOT SERVICED)
3		2							PLATE, (NOT SERVICED)
4	05122642AA	99	2, 6	L	11, 12, 14, 15, 16				COVER, Seat Track Rear
		1	2, 6	L	51, 52, 54, 55, 56				Rear
		1	3, 7	L	12, 15, 16				Rear
5	05122650AA	2	2, 6	L	11, 12, 14, 15, 16				COVER, Seat Track Front
		1	2, 6	L	51, 52, 54, 55, 56				Front
		3	3, 7	L	12, 15, 16				Front
6	05122778AA	1	2, 6	L	12, 15				FLOOR, Wooden With Front Seats, 140 & 158 Inch Wheelbase
		1	2, 6	L	52, 55				With Front Seats, 140 & 158 Inch Wheelbase
		1	3, 7	L	16				With Front Seats, 140 & 158 Inch Wheelbase
	05131631AA	1	2, 6	L	11, 14				With 118 Inch Wheelbase, Cargo, No Seats
	05131663AA	1	2, 6	L	11, 14				With 118 Inch Wheelbase, Passenger Van With Seats
		1	2, 6	L	51, 54				With 118 Inch Wheelbase, Passenger Van With Seats
7	06104871AA	14	2, 6	L	52, 55				RIVET

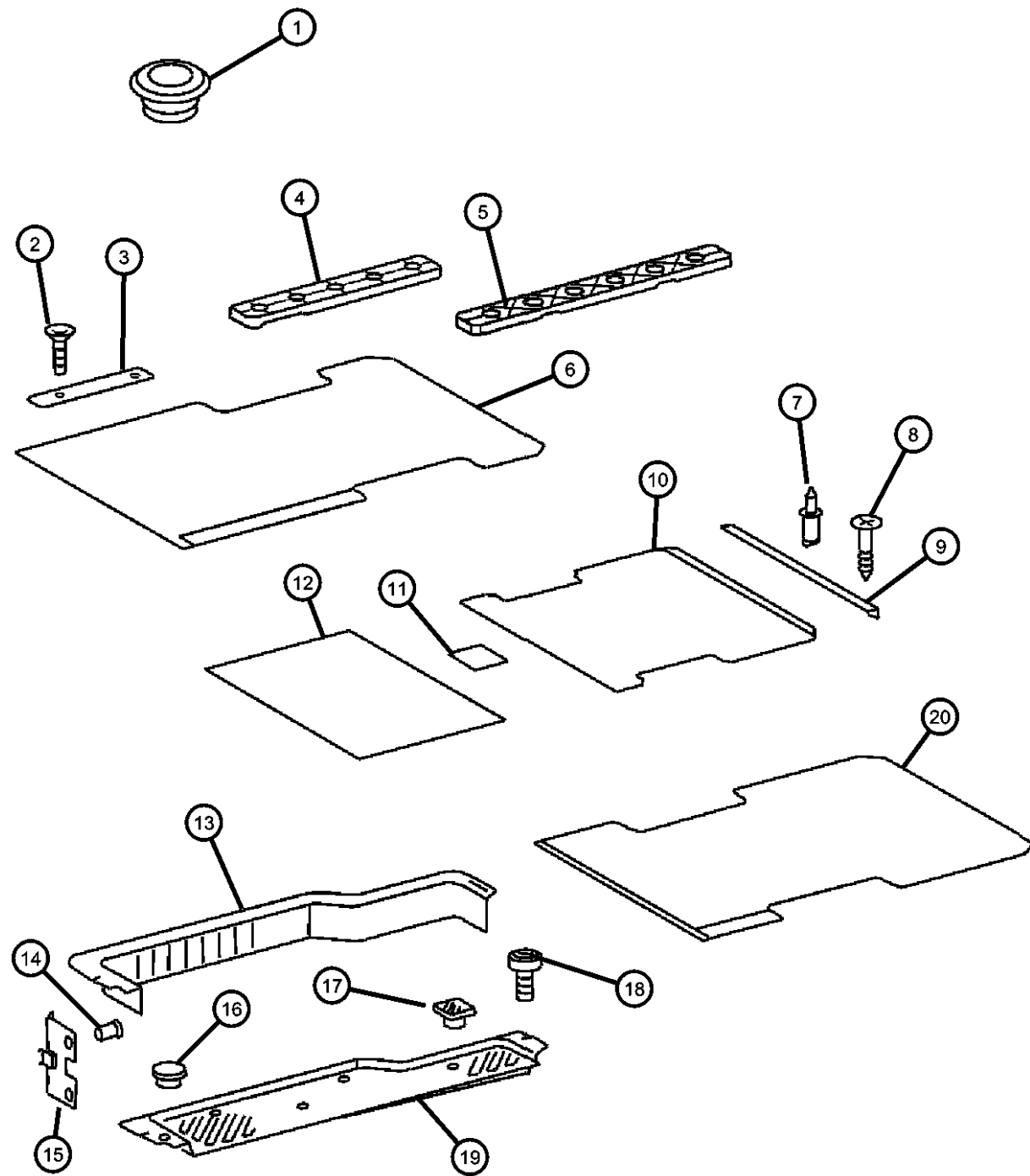
SPRINTER (VA)

SERIES	LINE	BODY	ENGINE	TRANSMISSION
L = LOWLINE	3 = HD DODGE 2WD 8 = HD DODGE 4WD 6 = Lt. Duty DODGE 4WD 2 = Med. Duty DODGE 2WD 7 = Med. Duty DODGE 4WD 4 = TRUCK	01 = CHASSIS FORWARD CONTROL W.B.1 02 = CAB CHASSIS WHEEL BASE 2 06 = CAB CHASSIS WHEEL BASE 6 11 = VAN WHEEL BASE 1 12 = VAN WHEEL BASE 2 51 = WAGON WHEEL BASE 1 52 = WAGON WHEEL BASE 2 14 = VAN WHEEL BASE 4 15 = VAN WHEEL BASE 5 54 = WAGON WHEEL BASE 4 55 = WAGON WHEEL BASE 5 56 = WAGON WHEEL BASE 6 16 = VAN WHEEL BASE 6	EX8 = 2.7L I5 Turbo Diesel Engine EX9 = 2.7L I5 Mercedes-Benz TD Engine	DGJ = 5-Speed Automatic MB Transmission DGZ = 4-Spd. Automatic MT643 Transmission

AR = use ase required - = Non illustrated part

2006 VA

Floor - Wooden
Figure IVA-330



ITEM	PART NUMBER	QTY	LINE	SERIES	BODY	ENGINE	TRANS	TRIM	DESCRIPTION
		14	2, 6	L	16				
		16	2, 6	L	12, 15				
		4	3, 7	L	12, 15, 16				
8	05134062AA	9	3, 7	L	12, 15, 16				SCREW
9									MOLDING, Cargo Area Carpet
	05122669AA	1	3, 7	L	12, 15, 16				
		1	2, 6	L	11, 12, 14, 15, 16				
		1	2, 6	L	51, 52, 54, 55, 56				
10									FLOOR, Wooden
	05122802AA	1	2, 6	L	12, 15				With Seats, 140 Inch Wheelbase, Rear
		1	2, 6	L	52, 55				With Seats, 140 Inch Wheelbase, Rear
	05122804AA	1	2, 6	L	11, 14, 16				With Seats, 158 Inch Wheelbase, Rear
		1	2, 6	L	51, 54, 56				With Seats, 158 Inch Wheelbase, Rear
	05127784AA	1	2, 6	L	11, 14, 16				Without Seats, 158 Inch Wheelbase, Rear
		1	3, 7	L	16				Without Seats, 158 Inch Wheelbase, Rear
	05127806AA	1	2, 6	L	12, 15				Without Seats, 140 Inch Wheelbase, Rear
		1	3, 7	L	12, 15				Without Seats, 140 Inch Wheelbase, Rear
11									MOLDING, Cargo Area Carpet
	05122671AA	5	2, 6	L	52, 55				
		5	3, 7	L	12, 15				
		5	2, 6	L	12, 15				
12									FLOOR, Wooden

SPRINTER (VA)

SERIES

L = LOWLINE

LINE

3 = HD DODGE 2WD
8 = HD DODGE 4WD
6 = Lt. Duty DODGE 4WD
2 = Med. Duty DODGE 2WD
7 = Med. Duty DODGE 4WD
4 = TRUCK

BODY

01 = CHASSIS FORWARD CONTROL W.B.1
02 = CAB CHASSIS WHEEL BASE 2
06 = CAB CHASSIS WHEEL BASE 6
11 = VAN WHEEL BASE 1
12 = VAN WHEEL BASE 2
51 = WAGON WHEEL BASE 1
52 = WAGON WHEEL BASE 2
14 = VAN WHEEL BASE 4
15 = VAN WHEEL BASE 5
54 = WAGON WHEEL BASE 4
55 = WAGON WHEEL BASE 5
56 = WAGON WHEEL BASE 6
16 = VAN WHEEL BASE 6

ENGINE

EX8 = 2.7L I5 Turbo Diesel Engine
EX9 = 2.7L I5 Mercedes-Benz TD Engine

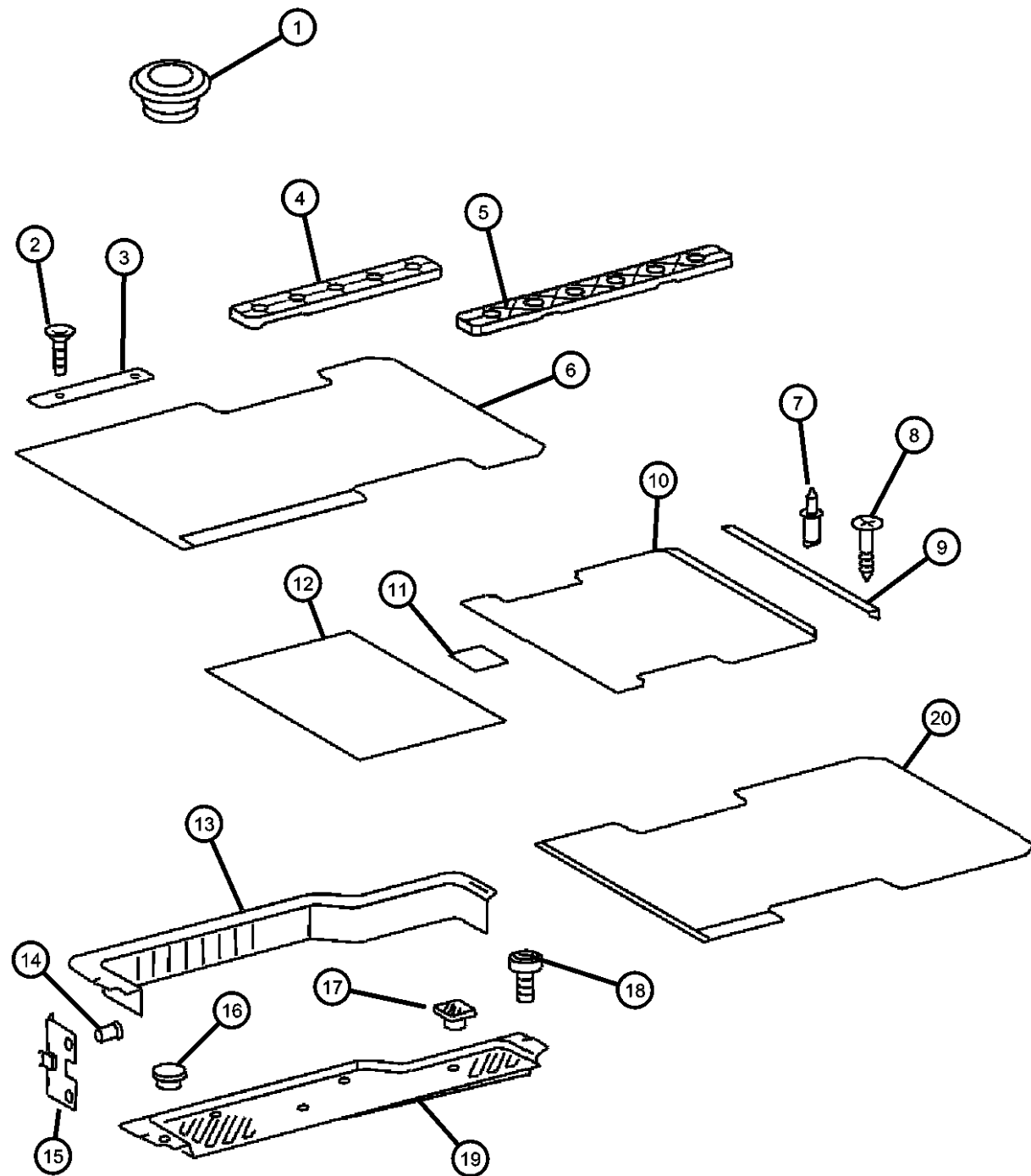
TRANSMISSION

DGJ = 5-Speed Automatic MB Transmission
DGZ = 4-Spd. Automatic MT643 Transmission

AR = use ase required - = Non illustrated part

2006 VA

Floor - Wooden
Figure IVA-330



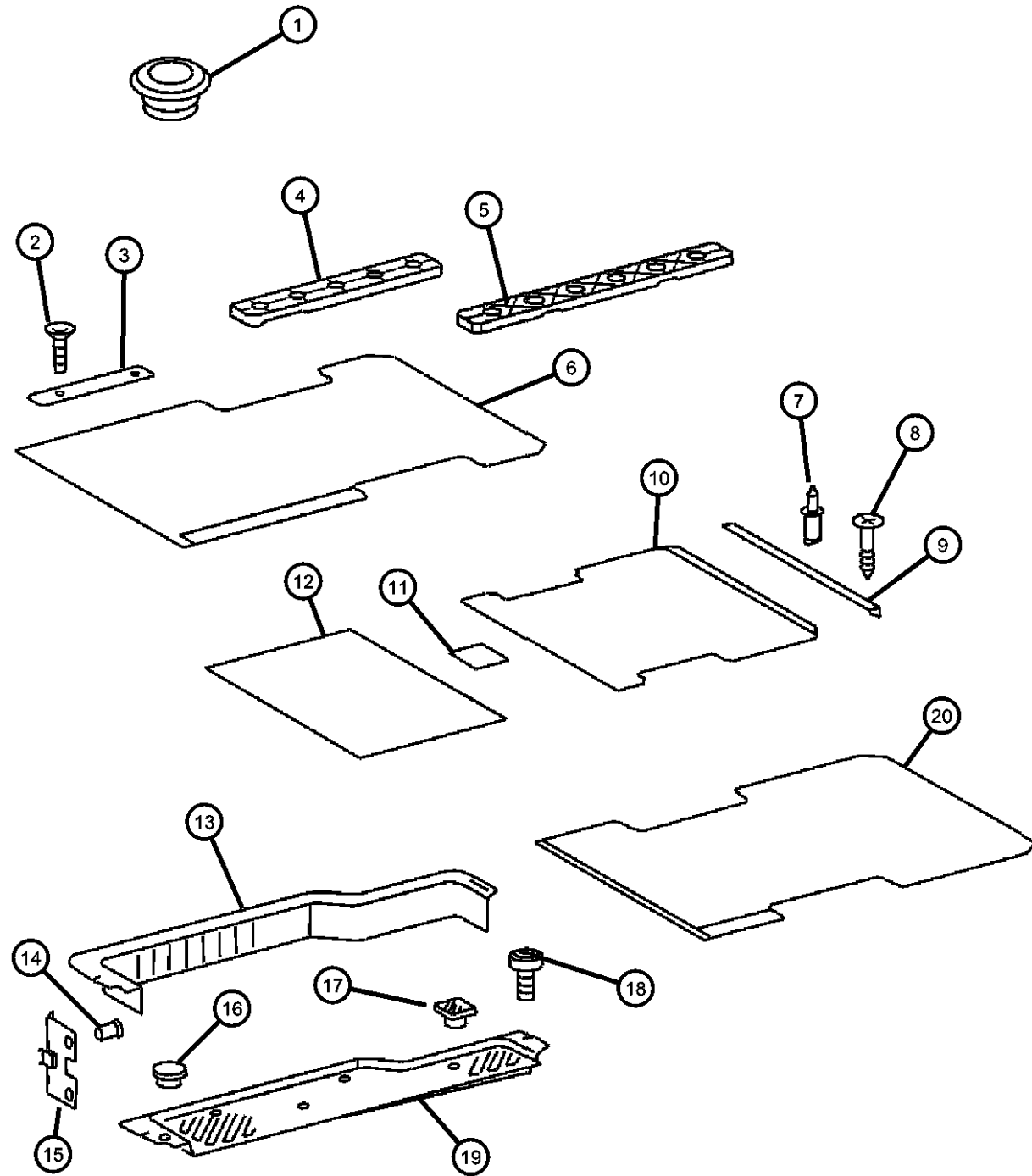
ITEM	PART NUMBER	QTY	LINE	SERIES	BODY	ENGINE	TRANS	TRIM	DESCRIPTION
	05122730AA	1	2, 6	L	12, 15				Without Seats 8mm Thick, 140 & 158 Inch Wheelbase
		1	3, 7	L	16				Without Seats 8mm Thick, 140 & 158 Inch Wheelbase
	05122778AA	1	2, 6	L	12, 15				With Seats 140 & 158 Inch Wheelbase
		1	2, 6	L	52, 55				With Seats 140 & 158 Inch Wheelbase
		1	3, 7	L	16				With Seats 140 & 158 Inch Wheelbase
	05131631AA	1	2, 6	L	11, 14				No seat-Cargo-118 Inch Wheelbase
13	05122827AA	1	2, 6	L	11, 12, 14, 15, 16				PANEL, Sliding Door Trim
		1	2, 6	L	51, 52, 54, 55, 56				
		1	3, 7	L	12, 15, 16				
14	05134061AA	8	2, 6	L	11, 12, 14, 15, 16				RIVET
		8	2, 6	L	51, 52, 54, 55, 56				
		8	3, 7	L	12, 15, 16				
15	05125584AA	4	2, 6	L	51, 52, 54, 55, 56				CLIP, Floor Trim
		4	2, 6	L	11, 12, 14, 15, 16				
		4	3, 7	L	12, 15, 16				
16	05122808AA	1	2, 6	L	11, 12, 14, 15, 16				PLUG
		1	2, 6	L	51, 52, 54, 55, 56				

SPRINTER (VA)

SERIES	LINE	BODY	ENGINE	TRANSMISSION
L = LOWLINE	3 = HD DODGE 2WD 8 = HD DODGE 4WD 6 = Lt. Duty DODGE 4WD 2 = Med. Duty DODGE 2WD 7 = Med. Duty DODGE 4WD 4 = TRUCK	01 = CHASSIS FORWARD CONTROL W.B.1 02 = CAB CHASSIS WHEEL BASE 2 06 = CAB CHASSIS WHEEL BASE 6 11 = VAN WHEEL BASE 1 12 = VAN WHEEL BASE 2 51 = WAGON WHEEL BASE 1 52 = WAGON WHEEL BASE 2 14 = VAN WHEEL BASE 4 15 = VAN WHEEL BASE 5 54 = WAGON WHEEL BASE 4 55 = WAGON WHEEL BASE 5 56 = WAGON WHEEL BASE 6 16 = VAN WHEEL BASE 6	EX8 = 2.7L I5 Turbo Diesel Engine EX9 = 2.7L I5 Mercedes-Benz TD Engine	DGJ = 5-Speed Automatic MB Transmission DGZ = 4-Spd. Automatic MT643 Transmission

AR = use ase required - = Non illustrated part

Floor - Wooden
Figure IVA-330



ITEM	PART NUMBER	QTY	LINE	SERIES	BODY	ENGINE	TRANS	TRIM	DESCRIPTION
17		1	3, 7	L	12, 15, 16				PLUG
	05122811AA	4	2, 6	L	51, 52, 54, 55, 56				
		4	2, 6	L	11, 12, 14, 15, 16				
		4	3, 7	L	12, 15, 16				
18		2	2, 6	L	01, 02, 06				SCREW
	06104142AA	2	2, 6	L	11, 12, 14, 15, 16				
		2	2, 6	L	51, 52, 54, 55, 56				
		2	3, 7	L	02, 06				
		2	3, 7	L	12, 15, 16				
19		1	2, 6	L	11, 12, 14, 15, 16				PAD, Side Cargo Door Sill Entrance Sliding Door, Left
	05122815AA	1	2, 6	L	51, 52, 54, 55, 56				Entrance Sliding Door, Left
		1	3, 7	L	12, 15, 16				Entrance Sliding Door, Left
	05122816AA	1	2, 6	L	11, 12, 14, 15, 16				Entrance Sliding Door, Right
		1	2, 6	L	51, 52, 54, 55, 56				Entrance Sliding Door, Right
		1	3, 7	L	12, 15, 16				Entrance Sliding Door, Right
20		1	2, 6	L	11, 14, 16				FLOOR, Wooden With seats- 158 Inch Wheelbase
	05122804AA	1	2, 6	L	51, 54, 56				With seats- 158 Inch Wheelbase
	05127784AA	1	2, 6	L	11, 14, 16				Without seats- 158 Inch Wheelbase
		1	3, 7	L	16				Without seats- 158 Inch Wheelbase

SPRINTER (VA)

SERIES
L = LOWLINE

LINE
3 = HD DODGE 2WD
8 = HD DODGE 4WD
6 = Lt. Duty DODGE 4WD
2 = Med. Duty DODGE 2WD
7 = Med. Duty DODGE 4WD
4 = TRUCK

BODY

01 = CHASSIS FORWARD CONTROL W.B.1
02 = CAB CHASSIS WHEEL BASE 2
06 = CAB CHASSIS WHEEL BASE 6
11 = VAN WHEEL BASE 1
12 = VAN WHEEL BASE 2
51 = WAGON WHEEL BASE 1
52 = WAGON WHEEL BASE 2
14 = VAN WHEEL BASE 4
15 = VAN WHEEL BASE 5
54 = WAGON WHEEL BASE 4
55 = WAGON WHEEL BASE 5
56 = WAGON WHEEL BASE 6
16 = VAN WHEEL BASE 6

ENGINE

EX8 = 2.7L I5 Turbo Diesel Engine
EX9 = 2.7L I5 Mercedes-Benz TD Engine

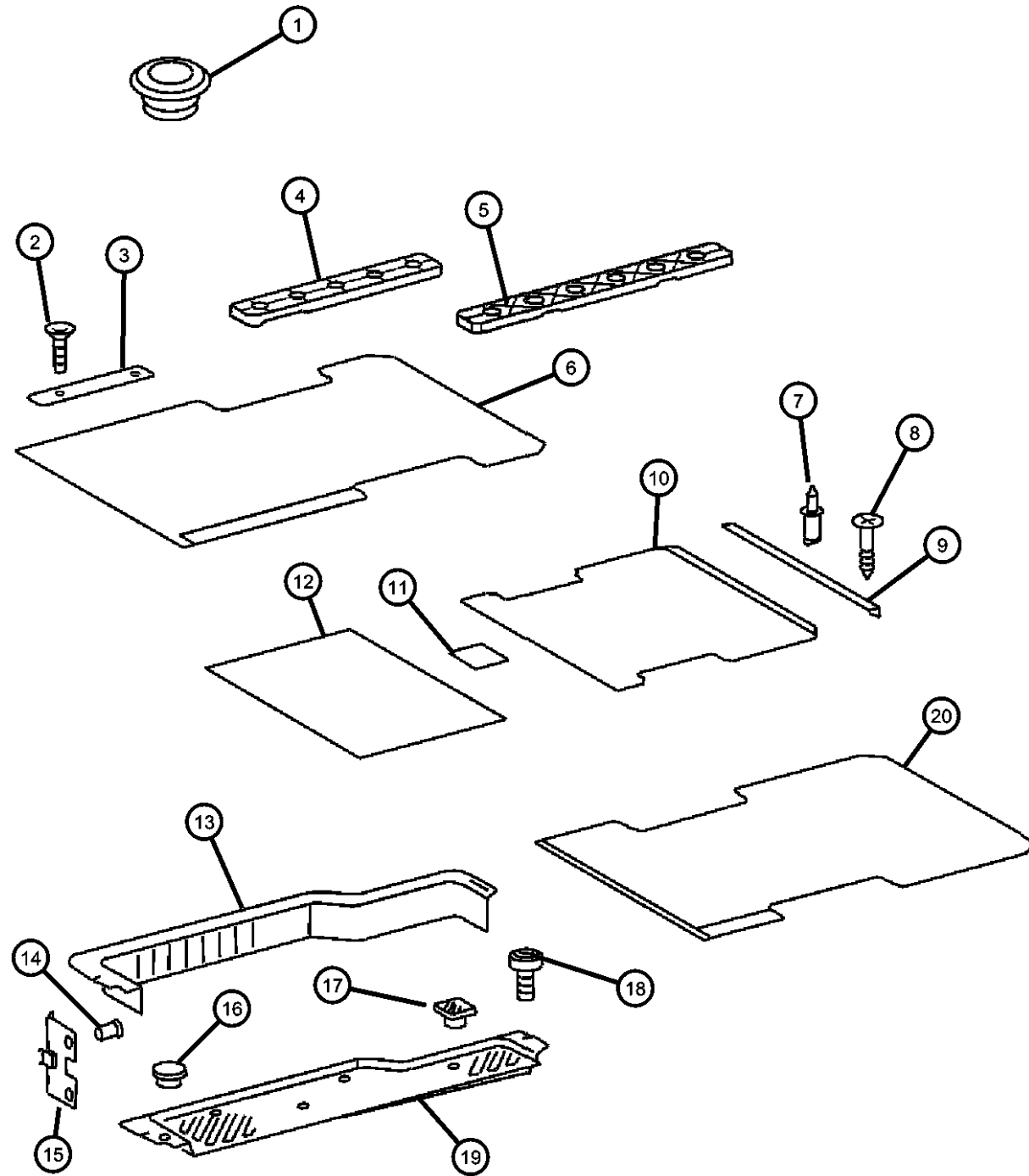
TRANSMISSION

DGJ = 5-Speed Automatic MB Transmission
DGZ = 4-Spd. Automatic MT643 Transmission

AR = use ase required - = Non illustrated part

2006 VA

Floor - Wooden
Figure IVA-330



ITEM	PART NUMBER	QTY	LINE	SERIES	BODY	ENGINE	TRANS	TRIM	DESCRIPTION
-21	05121438AA	1	2, 6	L	11, 12, 14, 15, 16				MOLDING, Cargo Area Carpet Threshold For Partition Door
		1	3, 7	L	12, 15, 16				Threshold For Partition Door
-22	05122670AA	2	2, 6	L	11, 12, 14, 15, 16				MOLDING, Cargo Area Carpet With Sliding Doors, Right & Left
		2	2, 6	L	51, 52, 54, 55, 56				With Sliding Doors, Right & Left
		2	3, 7	L	12, 15, 16				With Sliding Doors, Right & Left
	05131522AA	1	2, 6	L	11, 12, 14, 15, 16				For [UPS]

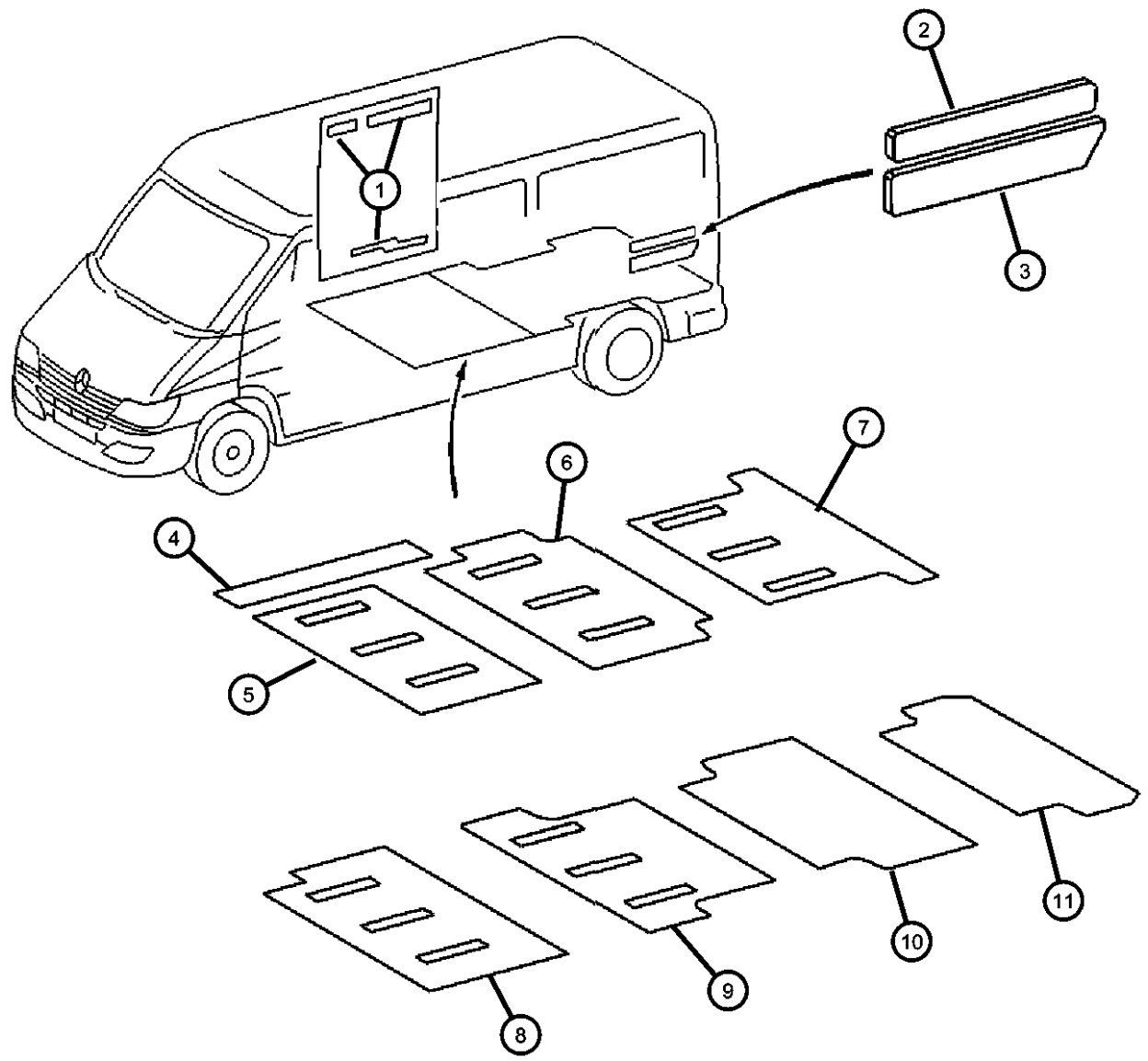
SPRINTER (VA)

SERIES	LINE	BODY	ENGINE	TRANSMISSION
L = LOWLINE	3 = HD DODGE 2WD 8 = HD DODGE 4WD 6 = Lt. Duty DODGE 4WD 2 = Med. Duty DODGE 2WD 7 = Med. Duty DODGE 4WD 4 = TRUCK	01 = CHASSIS FORWARD CONTROL W.B.1 02 = CAB CHASSIS WHEEL BASE 2 06 = CAB CHASSIS WHEEL BASE 6 11 = VAN WHEEL BASE 1 12 = VAN WHEEL BASE 2 51 = WAGON WHEEL BASE 1 52 = WAGON WHEEL BASE 2 14 = VAN WHEEL BASE 4 15 = VAN WHEEL BASE 5 54 = WAGON WHEEL BASE 4 55 = WAGON WHEEL BASE 5 56 = WAGON WHEEL BASE 6 16 = VAN WHEEL BASE 6	EX8 = 2.7L I5 Turbo Diesel Engine EX9 = 2.7L I5 Mercedes-Benz TD Engine	DGJ = 5-Speed Automatic MB Transmission DGZ = 4-Spd. Automatic MT643 Transmission

AR = use ase required - = Non illustrated part

2006 VA

Insulation - Carpet
Figure IVA-340



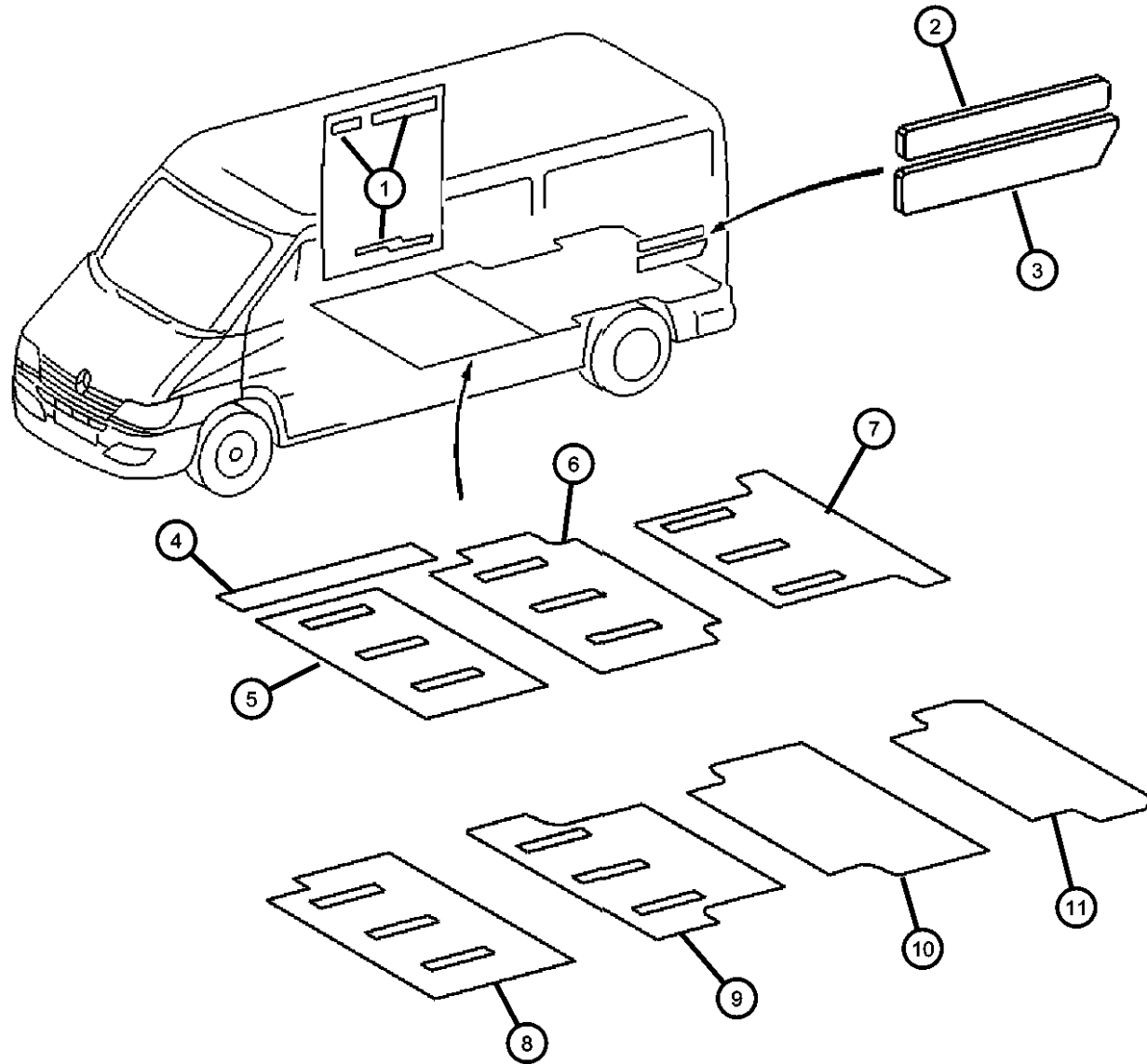
ITEM	PART NUMBER	QTY	LINE	SERIES	BODY	ENGINE	TRANS	TRIM	DESCRIPTION
1	05131522AA	1							INSULATION, NONE, SPRINTER, (NOT SERVICED), INSULATION, Side Panel
2	05131360AA	99	2, 6	L	11, 12, 14, 15, 16				
		99	2, 6	L	51, 52, 54, 55, 56				
		99	3, 7	L	12, 15				
3	05122497AA	1	2, 6	L	11, 12, 14, 15, 16				INSULATION, Side Panel [910x265x20mm]
		1	2, 6	L	51, 52, 54, 55, 56				[910x265x20mm]
		99	3, 7	L	12, 15, 16				[910x265x20mm]
	05122504AA	1	2, 6	L	11, 14, 16				[910x265x20mm],Left
		1	3, 7	L	12, 15				[910x265x20mm],Left
		1	2, 6	L	12, 15				[910x265x20mm],Left
		1	2, 6	L	51, 54, 56				[910x265x20mm],Left
		1	2, 6	L	52, 55				[910x265x20mm],Left
		1	2, 6	L	56				[910x265x20mm],Left
		1	3, 7	L	16				[910x265x20mm],Left
	05122507AA	1	2, 6	L	11, 14, 16				[910x265x20mm],Right
		1	2, 6	L	12, 15				[910x265x20mm],Right
		1	2, 6	L	16				[910x265x20mm],Right
		1	2, 6	L	52, 55				[910x265x20mm],Right
		1	2, 6	L	51, 54, 56				[910x265x20mm],Right
		1	3, 7	L	16				[910x265x20mm],Right
		1	3, 7	L	12, 15				[910x265x20mm],Right
4	05133560AA	1	2, 6	L	11, 12, 14, 15, 16				INSULATION, Floor

SPRINTER (VA)

SERIES	LINE	BODY	ENGINE	TRANSMISSION
L = LOWLINE	3 = HD DODGE 2WD 8 = HD DODGE 4WD 6 = Lt. Duty DODGE 4WD 2 = Med. Duty DODGE 2WD 7 = Med. Duty DODGE 4WD 4 = TRUCK	01 = CHASSIS FORWARD CONTROL W.B.1 02 = CAB CHASSIS WHEEL BASE 2 06 = CAB CHASSIS WHEEL BASE 6 11 = VAN WHEEL BASE 1 12 = VAN WHEEL BASE 2 51 = WAGON WHEEL BASE 1 52 = WAGON WHEEL BASE 2 14 = VAN WHEEL BASE 4 15 = VAN WHEEL BASE 5 54 = WAGON WHEEL BASE 4 55 = WAGON WHEEL BASE 5 56 = WAGON WHEEL BASE 6 16 = VAN WHEEL BASE 6	EX8 = 2.7L I5 Turbo Diesel Engine EX9 = 2.7L I5 Mercedes-Benz TD Engine	DGJ = 5-Speed Automatic MB Transmission DGZ = 4-Spd. Automatic MT643 Transmission

AR = use ase required - = Non illustrated part

Insulation - Carpet
Figure IVA-340



ITEM	PART NUMBER	QTY	LINE	SERIES	BODY	ENGINE	TRANS	TRIM	DESCRIPTION
5	05122432AA	1	2, 6	L	51, 52, 54, 55, 56				INSULATION, Floor
		1	3, 7	L	12, 15, 16				
6	05122435AA	1	2, 6	L	11, 12, 14, 15, 16				INSULATION, Floor
		1	2, 6	L	51, 52, 54, 55, 56				
7	05122454AA	1	3, 7	L	12, 15				INSULATION, Floor
		1	2, 6	L	52, 55				
		1	3, 7	L	12, 15				
8	05122436AA	1	2, 6	L	12, 15				INSULATION, Floor
		1	2, 6	L	52, 55				
		1	3, 7	L	12, 15				
9	05122455AA	1	2, 6	L	16				INSULATION, Floor
		1	2, 6	L	56				
		1	3, 7	L	16				
10	05122453AA	1	2, 6	L	16				INSULATION, Floor
		1	2, 6	L	56				
		1	3, 7	L	16				
11								INSULATION, Floor	

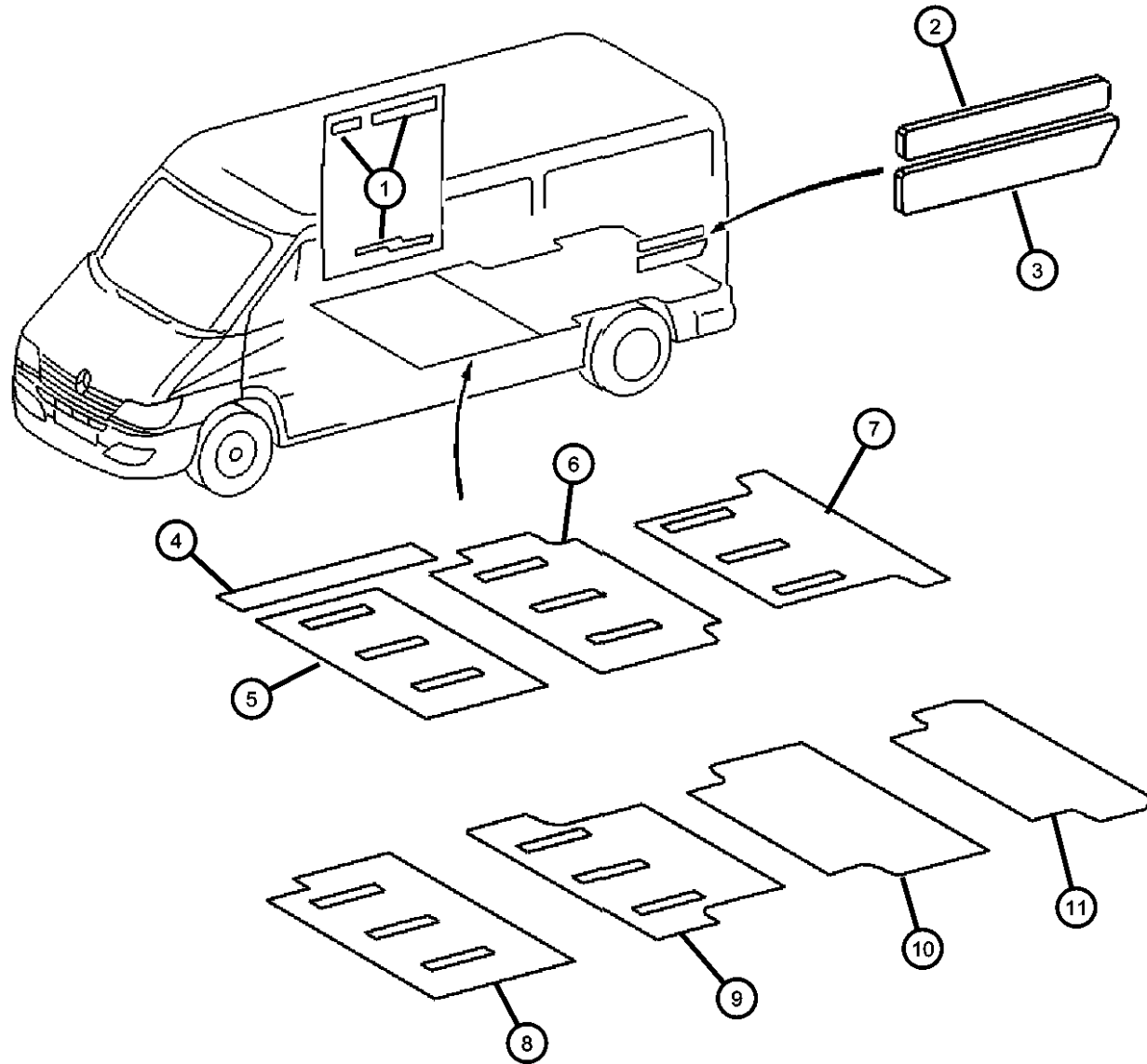
SPRINTER (VA)

SERIES	LINE	BODY	ENGINE	TRANSMISSION
L = LOWLINE	3 = HD DODGE 2WD 8 = HD DODGE 4WD 6 = Lt. Duty DODGE 4WD 2 = Med. Duty DODGE 2WD 7 = Med. Duty DODGE 4WD 4 = TRUCK	01 = CHASSIS FORWARD CONTROL W.B.1 02 = CAB CHASSIS WHEEL BASE 2 06 = CAB CHASSIS WHEEL BASE 6 11 = VAN WHEEL BASE 1 12 = VAN WHEEL BASE 2 51 = WAGON WHEEL BASE 1 52 = WAGON WHEEL BASE 2 14 = VAN WHEEL BASE 4 15 = VAN WHEEL BASE 5 54 = WAGON WHEEL BASE 4 55 = WAGON WHEEL BASE 5 56 = WAGON WHEEL BASE 6 16 = VAN WHEEL BASE 6	EX8 = 2.7L I5 Turbo Diesel Engine EX9 = 2.7L I5 Mercedes-Benz TD Engine	DGJ = 5-Speed Automatic MB Transmission DGZ = 4-Spd. Automatic MT643 Transmission

AR = use ase required - = Non illustrated part

Insulation - Carpet
Figure IVA-340

ITEM	PART NUMBER	QTY	LINE	SERIES	BODY	ENGINE	TRANS	TRIM	DESCRIPTION
	05122453AA	1	2, 6	L	11, 14				
		1	2, 6	L	51, 54				



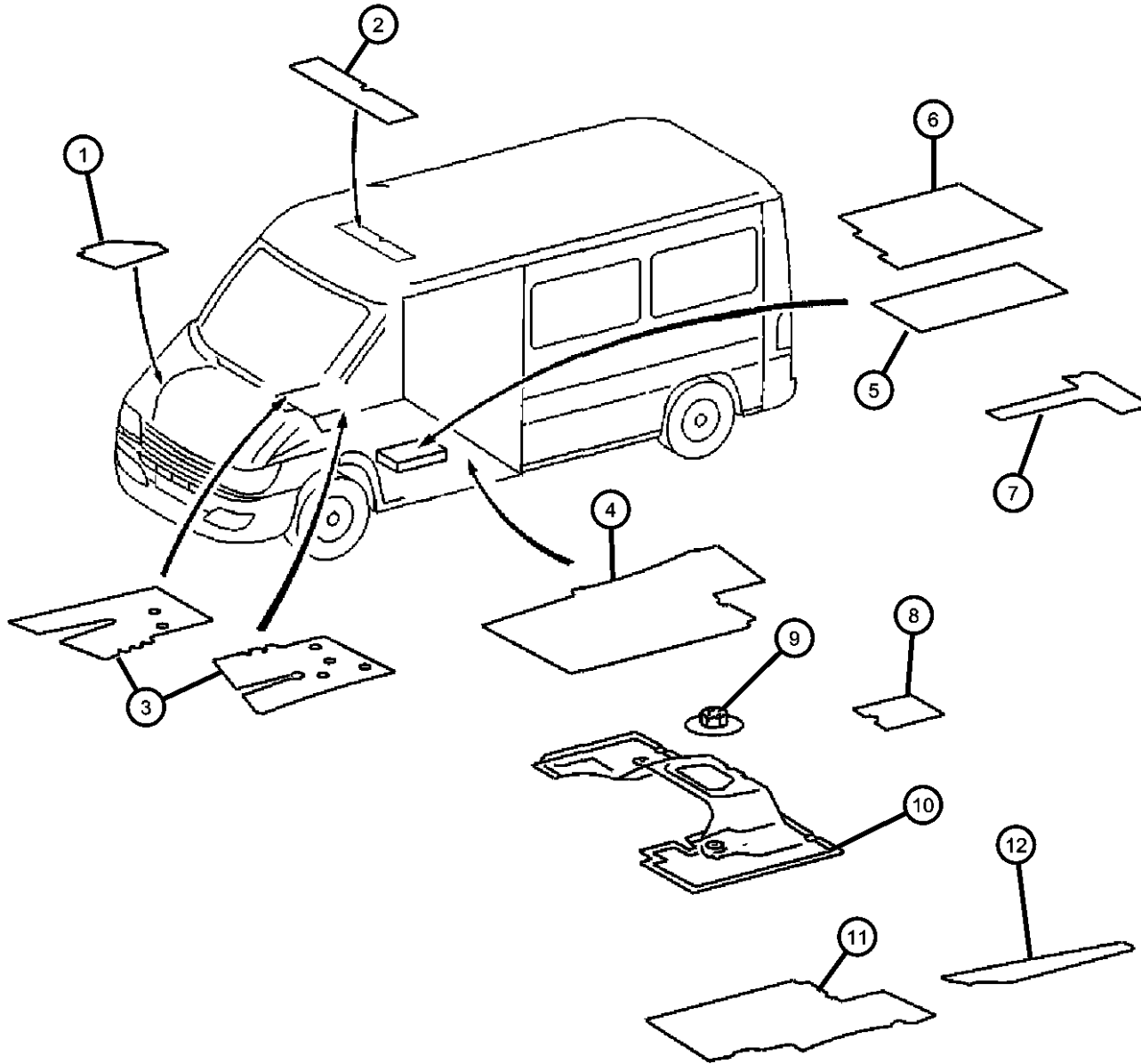
SPRINTER (VA)

SERIES	LINE	BODY	ENGINE	TRANSMISSION
L = LOWLINE	3 = HD DODGE 2WD 8 = HD DODGE 4WD 6 = Lt. Duty DODGE 4WD 2 = Med. Duty DODGE 2WD 7 = Med. Duty DODGE 4WD 4 = TRUCK	01 = CHASSIS FORWARD CONTROL W.B.1 02 = CAB CHASSIS WHEEL BASE 2 06 = CAB CHASSIS WHEEL BASE 6 11 = VAN WHEEL BASE 1 12 = VAN WHEEL BASE 2 51 = WAGON WHEEL BASE 1 52 = WAGON WHEEL BASE 2 14 = VAN WHEEL BASE 4 15 = VAN WHEEL BASE 5 54 = WAGON WHEEL BASE 4 55 = WAGON WHEEL BASE 5 56 = WAGON WHEEL BASE 6 16 = VAN WHEEL BASE 6	EX8 = 2.7L I5 Turbo Diesel Engine EX9 = 2.7L I5 Mercedes-Benz TD Engine	DGJ = 5-Speed Automatic MB Transmission DGZ = 4-Spd. Automatic MT643 Transmission

AR = use ase required - = Non illustrated part

2006 VA

**Insulation Floor
Figure IVA-350**



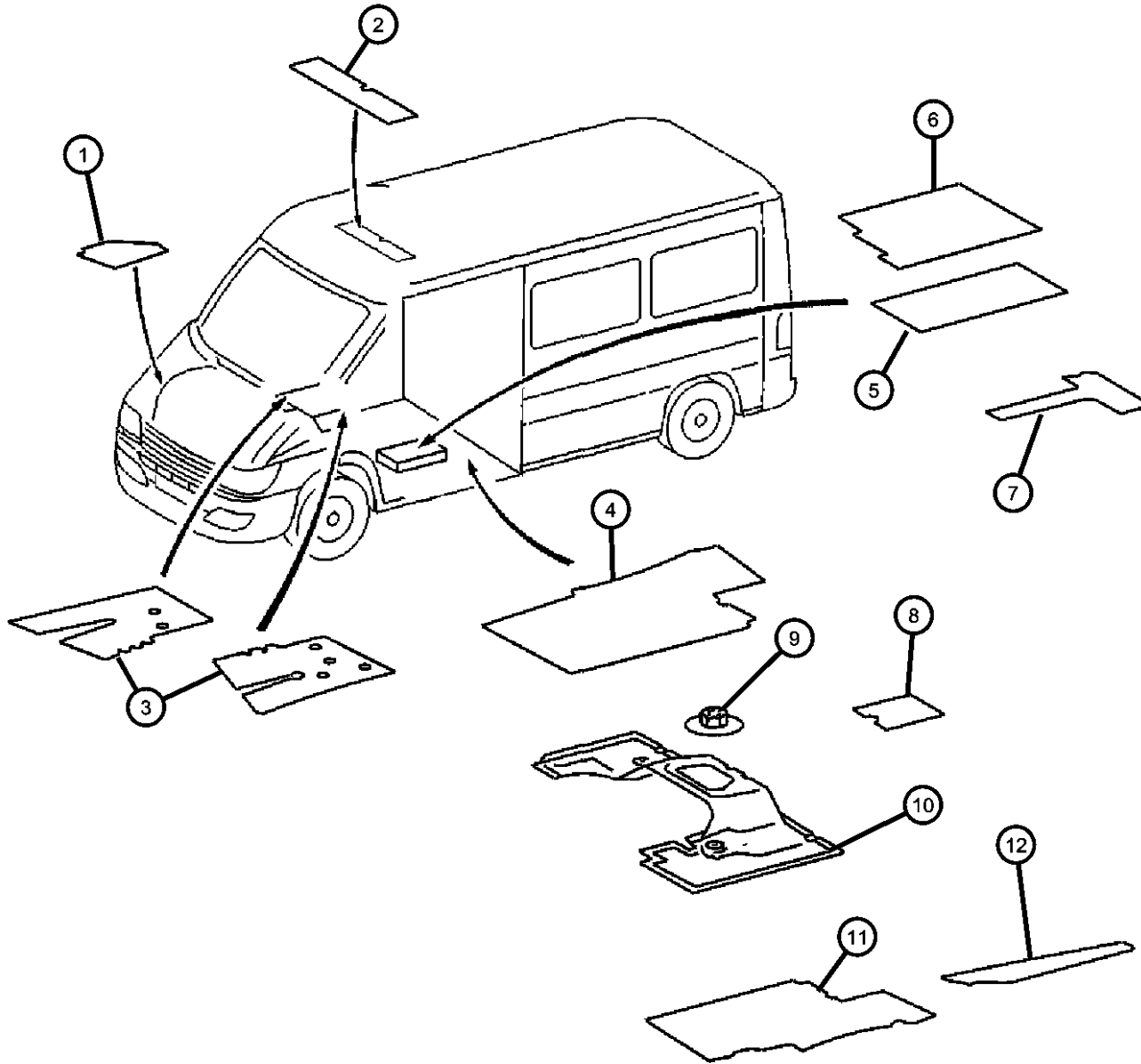
ITEM	PART NUMBER	QTY	LINE	SERIES	BODY	ENGINE	TRANS	TRIM	DESCRIPTION
1									SILENCER, Wheelhouse
	05122468AA	1	2, 6	L	01, 02, 06				Inside Left
		1	2, 6	L	11, 12, 14, 15, 16				Inside Left
		1	2, 6	L	51, 52, 54, 55, 56				Inside Left
		1	3, 7	L	02, 06				Inside Left
		1	3, 7	L	12, 15, 16				Inside Left
	05122469AA	1	2, 6	L	01, 02, 06				Inside Right
		1	2, 6	L	11, 12, 14, 15, 16				Inside Right
		1	2, 6	L	51, 52, 54, 55, 56				Inside Right
		1	3, 7	L	02, 06				Inside Right
		1	3, 7	L	12, 15, 16				Inside Right
2									INSULATION, Roof Headliner
	05122541AA	1	2, 6	L	01, 02, 06				
		1	2, 6	L	11, 12, 14, 15, 16				
		1	2, 6	L	51, 52, 54, 55, 56				
		1	3, 7	L	02, 06				
		1	3, 7	L	12, 15, 16				
3		1							INSULATION, NONE, SPRINTER, Engine Room, (NOT SERVICED)
4									INSULATION, Floor
	05122482AA	1	2, 6	L	01, 02, 06				
		1	2, 6	L	11, 12, 14, 15, 16				
		1	2, 6	L	51, 52, 54, 55, 56				
		1	3, 7	L	02, 06				
		1	3, 7	L	12, 15, 16				

SPRINTER (VA)

SERIES	LINE	BODY	ENGINE	TRANSMISSION
L = LOWLINE	3 = HD DODGE 2WD 8 = HD DODGE 4WD 6 = Lt. Duty DODGE 4WD 2 = Med. Duty DODGE 2WD 7 = Med. Duty DODGE 4WD 4 = TRUCK	01 = CHASSIS FORWARD CONTROL W.B.1 02 = CAB CHASSIS WHEEL BASE 2 06 = CAB CHASSIS WHEEL BASE 6 11 = VAN WHEEL BASE 1 12 = VAN WHEEL BASE 2 51 = WAGON WHEEL BASE 1 52 = WAGON WHEEL BASE 2 14 = VAN WHEEL BASE 4 15 = VAN WHEEL BASE 5 54 = WAGON WHEEL BASE 4 55 = WAGON WHEEL BASE 5 56 = WAGON WHEEL BASE 6 16 = VAN WHEEL BASE 6	EX8 = 2.7L I5 Turbo Diesel Engine EX9 = 2.7L I5 Mercedes-Benz TD Engine	DGJ = 5-Speed Automatic MB Transmission DGZ = 4-Spd. Automatic MT643 Transmission

AR = use ase required - = Non illustrated part

**Insulation Floor
Figure IVA-350**



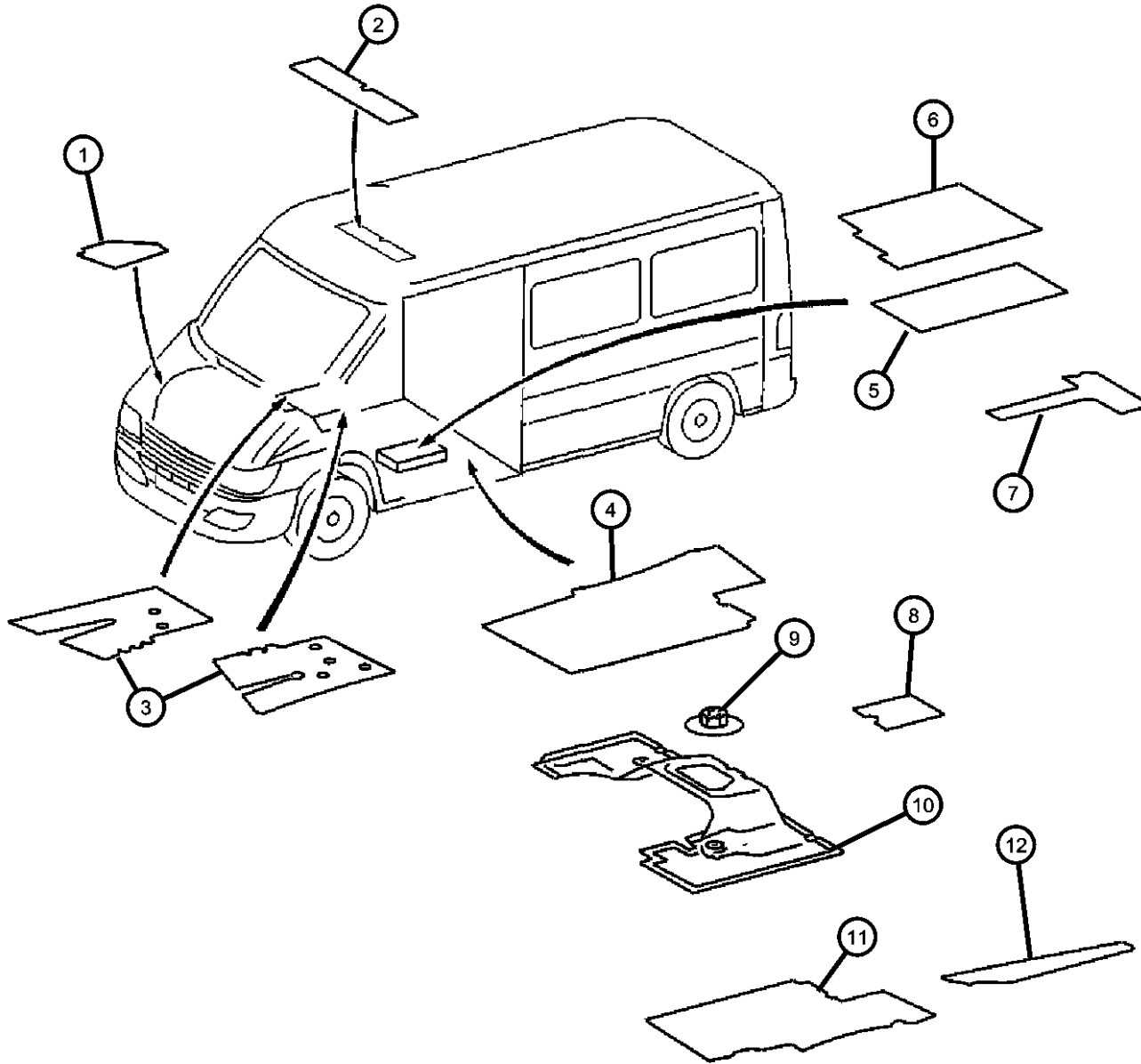
ITEM	PART NUMBER	QTY	LINE	SERIES	BODY	ENGINE	TRANS	TRIM	DESCRIPTION
5		1							INSULATION, NONE, SPRINTER, (NOT SERVICED)
6	05122535AA	1	2, 6	L	01, 02, 06				INSULATION, Floor
		1	2, 6	L	11, 12, 14, 15, 16				
		1	2, 6	L	51, 52, 54, 55, 56				
		1	3, 7	L	02, 06				
		1	3, 7	L	12, 15, 16				
7	05122471AA	1	2, 6	L	01, 02, 06				INSULATION, Floor
		1	2, 6	L	11, 12, 14, 15, 16				
		1	2, 6	L	51, 52, 54, 55, 56				
		1	3, 7	L	02, 06				
		1	3, 7	L	12, 15, 16				
8	05122473AA	2	2, 6	L	01, 02, 06				INSULATION, Floor
		2	2, 6	L	11, 12, 14, 15, 16				
		2	2, 6	L	51, 52, 54, 55, 56				
		2	3, 7	L	02, 06				
		2	3, 7	L	12, 15, 16				
9	05125593AA	1	2, 6	L	01, 02, 06				FASTENER, Buttonhead
		1	2, 6	L	11, 12, 14, 15, 16				
		1	2, 6	L	51, 52, 54, 55, 56				

SPRINTER (VA)

SERIES	LINE	BODY	ENGINE	TRANSMISSION
L = LOWLINE	3 = HD DODGE 2WD 8 = HD DODGE 4WD 6 = Lt. Duty DODGE 4WD 2 = Med. Duty DODGE 2WD 7 = Med. Duty DODGE 4WD 4 = TRUCK	01 = CHASSIS FORWARD CONTROL W.B.1 02 = CAB CHASSIS WHEEL BASE 2 06 = CAB CHASSIS WHEEL BASE 6 11 = VAN WHEEL BASE 1 12 = VAN WHEEL BASE 2 51 = WAGON WHEEL BASE 1 52 = WAGON WHEEL BASE 2 14 = VAN WHEEL BASE 4 15 = VAN WHEEL BASE 5 54 = WAGON WHEEL BASE 4 55 = WAGON WHEEL BASE 5 56 = WAGON WHEEL BASE 6 16 = VAN WHEEL BASE 6	EX8 = 2.7L I5 Turbo Diesel Engine EX9 = 2.7L I5 Mercedes-Benz TD Engine	DGJ = 5-Speed Automatic MB Transmission DGZ = 4-Spd. Automatic MT643 Transmission

AR = use ase required - = Non illustrated part

Insulation Floor
Figure IVA-350



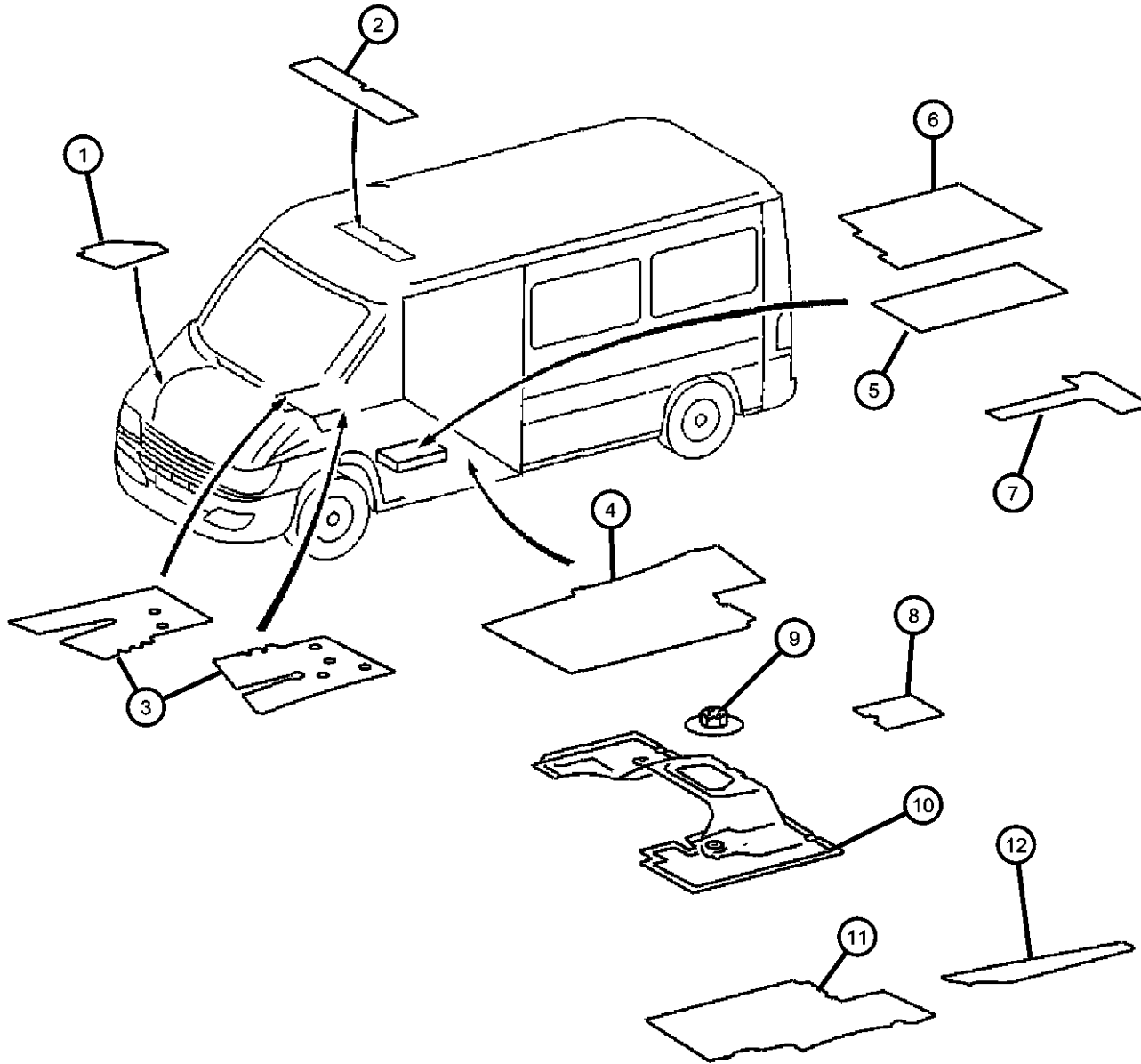
ITEM	PART NUMBER	QTY	LINE	SERIES	BODY	ENGINE	TRANS	TRIM	DESCRIPTION
		1	3, 7	L	02, 06				
		1	3, 7	L	12, 15, 16				
10	05122476AA	1	2, 6	L	01, 02, 06				INSULATION, Floor
		1	2, 6	L	51, 52, 54, 55, 56				
		1	3, 7	L	02, 06				
		1	3, 7	L	12, 15, 16				
		1	2, 6	L	11, 12, 14, 15, 16				
11	05122478AA	1	2, 6	L	01, 02, 06				INSULATION, Floor
		1	2, 6	L	11, 12, 14, 15, 16				
		1	2, 6	L	51, 52, 54, 55, 56				
		1	3, 7	L	02, 06				
		1	3, 7	L	12, 15, 16				
12	05122466AA	1	2, 6	L	01, 02, 06				INSULATION, Floor
		1	2, 6	L	11, 12, 14, 15, 16				
		1	2, 6	L	51, 52, 54, 55, 56				
		1	3, 7	L	02, 06				
		1	3, 7	L	12, 15, 16				
-13	05122467AA	1	2, 6	L	01, 02, 06				INSULATION, Floor
		1	2, 6	L	11, 12, 14, 15, 16				Inside Right Entrance
		1	2, 6	L	51, 52, 54, 55, 56				Inside Right Entrance

SPRINTER (VA)

SERIES	LINE	BODY	ENGINE	TRANSMISSION
L = LOWLINE	3 = HD DODGE 2WD 8 = HD DODGE 4WD 6 = Lt. Duty DODGE 4WD 2 = Med. Duty DODGE 2WD 7 = Med. Duty DODGE 4WD 4 = TRUCK	01 = CHASSIS FORWARD CONTROL W.B.1 02 = CAB CHASSIS WHEEL BASE 2 06 = CAB CHASSIS WHEEL BASE 6 11 = VAN WHEEL BASE 1 12 = VAN WHEEL BASE 2 51 = WAGON WHEEL BASE 1 52 = WAGON WHEEL BASE 2 14 = VAN WHEEL BASE 4 15 = VAN WHEEL BASE 5 54 = WAGON WHEEL BASE 4 55 = WAGON WHEEL BASE 5 56 = WAGON WHEEL BASE 6 16 = VAN WHEEL BASE 6	EX8 = 2.7L I5 Turbo Diesel Engine EX9 = 2.7L I5 Mercedes-Benz TD Engine	DGJ = 5-Speed Automatic MB Transmission DGZ = 4-Spd. Automatic MT643 Transmission

AR = use ase required - = Non illustrated part

Insulation Floor
Figure IVA-350



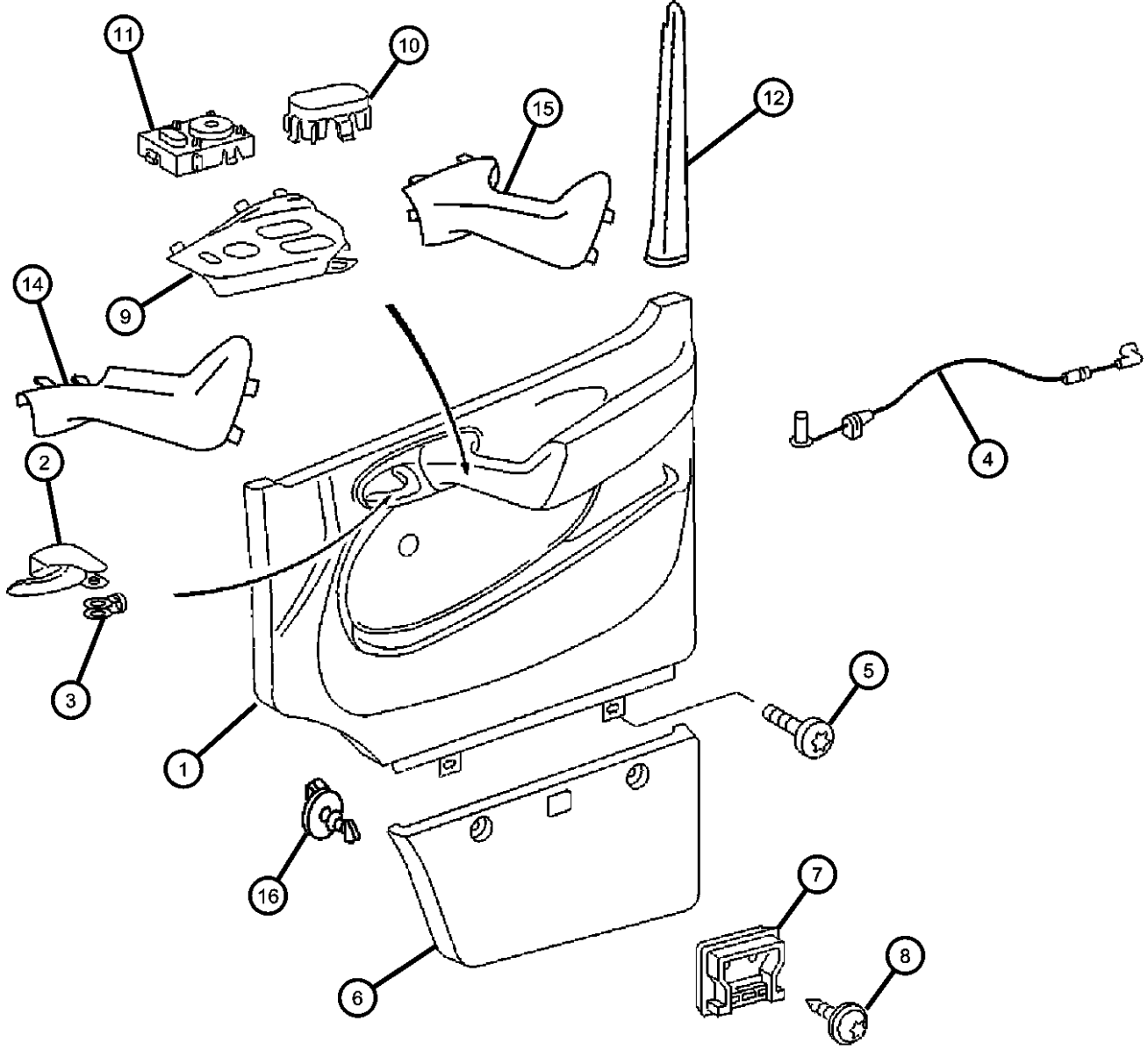
ITEM	PART NUMBER	QTY	LINE	SERIES	BODY	ENGINE	TRANS	TRIM	DESCRIPTION
		1	3, 7	L	02, 06				Inside Right Entrance
		1	3, 7	L	12, 15, 16				Inside Right Entrance
-14	05122470AA	1	2, 6	L	01, 02, 06				INSULATION, Floor
		1	2, 6	L	11, 12, 14, 15, 16				Seat Box, Right
		1	2, 6	L	51, 52, 54, 55, 56				Seat Box, Right
		1	3, 7	L	02, 06				Seat Box, Right
		1	3, 7	L	12, 15, 16				Seat Box, Right

SPRINTER (VA)

SERIES	LINE	BODY	ENGINE	TRANSMISSION
L = LOWLINE	3 = HD DODGE 2WD 8 = HD DODGE 4WD 6 = Lt. Duty DODGE 4WD 2 = Med. Duty DODGE 2WD 7 = Med. Duty DODGE 4WD 4 = TRUCK	01 = CHASSIS FORWARD CONTROL W.B.1 02 = CAB CHASSIS WHEEL BASE 2 06 = CAB CHASSIS WHEEL BASE 6 11 = VAN WHEEL BASE 1 12 = VAN WHEEL BASE 2 51 = WAGON WHEEL BASE 1 52 = WAGON WHEEL BASE 2 14 = VAN WHEEL BASE 4 15 = VAN WHEEL BASE 5 54 = WAGON WHEEL BASE 4 55 = WAGON WHEEL BASE 5 56 = WAGON WHEEL BASE 6 16 = VAN WHEEL BASE 6	EX8 = 2.7L I5 Turbo Diesel Engine EX9 = 2.7L I5 Mercedes-Benz TD Engine	DGJ = 5-Speed Automatic MB Transmission DGZ = 4-Spd. Automatic MT643 Transmission

AR = use ase required - = Non illustrated part

Front Door Trim
Figure IVA-410



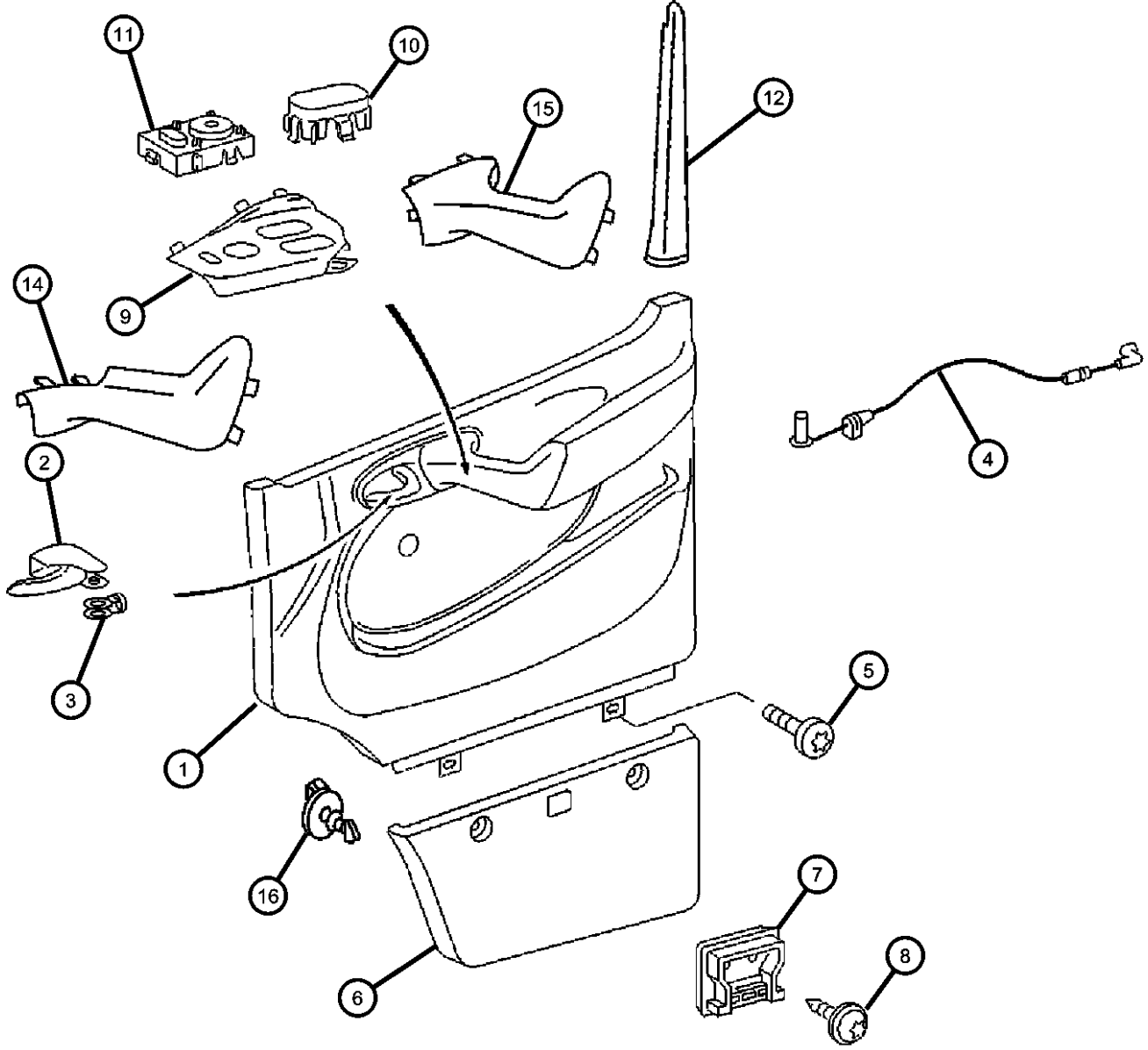
ITEM	PART NUMBER	QTY	LINE	SERIES	BODY	ENGINE	TRANS	TRIM	DESCRIPTION
1									PANEL, Front Door Trim
	05104340AA	1	2, 6	L	01, 02, 06				Without [JPA] Power Windows, Left
		1	3, 7	L	02, 06				Without [JPA] Power Windows, Left
		1	3, 7	L	12, 15, 16				Without [JPA] Power Windows, Left
	05104344AA	1	2, 6	L	01, 02, 06				Without [JPA] Power Windows, Right
		1	2, 6	L	11, 12, 14, 15, 16				Without [JPA] Power Windows, Right
		1	2, 6	L	51, 52, 54, 55, 56				Without [JPA] Power Windows, Right
		1	3, 7	L	02, 06				Without [JPA] Power Windows, Right
		1	2, 6	L	11, 12, 14, 15, 16				Without [JPA] Power Windows, Left
		1	2, 6	L	51, 52, 54, 55, 56				Without [JPA] Power Windows, Left
	05123742AA	1	2, 6	L	51, 52, 54, 55, 56				With [JPA] Power Windows, Left
		1	3, 7	L	02, 06				With [JPA] Power Windows, Left
		1	3, 7	L	12, 15, 16				With [JPA] Power Windows, Left
	05123747AA	1	2, 6	L	01, 02, 06				With [JPA] Power Windows, Right
		1	2, 6	L	11, 12, 14, 15, 16				With [JPA] Power Windows, Right
		1	3, 7	L	12, 15, 16				Without [JPA] Power Windows, Right
		1	2, 6	L	01, 02, 06				With [JPA] Power Windows, Left
		1	2, 6	L	11, 12, 14, 15, 16				With [JPA] Power Windows, Left
		1	2, 6	L	51, 52, 54, 55, 56				With [JPA] Power Windows, Right
		1	3, 7	L	02, 06				With [JPA] Power Windows, Right
		1	3, 7	L	12, 15, 16				With [JPA] Power Windows, Right

SPRINTER (VA)

SERIES	LINE	BODY	ENGINE	TRANSMISSION
L = LOWLINE	3 = HD DODGE 2WD 8 = HD DODGE 4WD 6 = Lt. Duty DODGE 4WD 2 = Med. Duty DODGE 2WD 7 = Med. Duty DODGE 4WD 4 = TRUCK	01 = CHASSIS FORWARD CONTROL W.B.1 02 = CAB CHASSIS WHEEL BASE 2 06 = CAB CHASSIS WHEEL BASE 6 11 = VAN WHEEL BASE 1 12 = VAN WHEEL BASE 2 51 = WAGON WHEEL BASE 1 52 = WAGON WHEEL BASE 2 14 = VAN WHEEL BASE 4 15 = VAN WHEEL BASE 5 54 = WAGON WHEEL BASE 4 55 = WAGON WHEEL BASE 5 56 = WAGON WHEEL BASE 6 16 = VAN WHEEL BASE 6	EX8 = 2.7L I5 Turbo Diesel Engine EX9 = 2.7L I5 Mercedes-Benz TD Engine	DGJ = 5-Speed Automatic MB Transmission DGZ = 4-Spd. Automatic MT643 Transmission

AR = use ase required - = Non illustrated part

Front Door Trim
Figure IVA-410



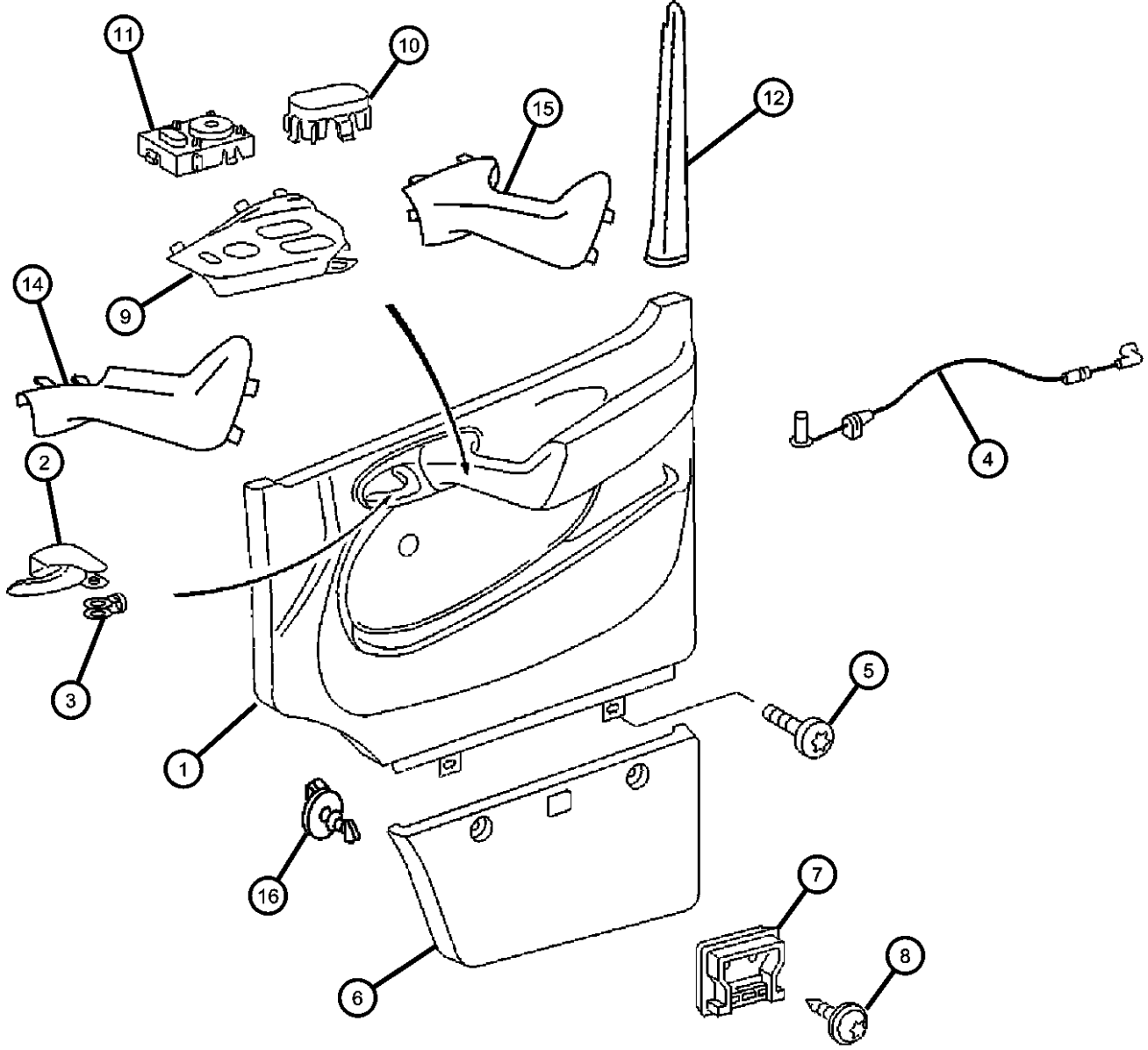
ITEM	PART NUMBER	QTY	LINE	SERIES	BODY	ENGINE	TRANS	TRIM	DESCRIPTION
2									HANDLE, Door Interior
	05123788AA	1	3, 7	L	02, 06				Pull Handle, Right
		1	3, 7	L	12, 15, 16				Pull Handle, Right
		1	2, 6	L	01, 02, 06				Pull Handle, Right
		1	2, 6	L	11, 12, 14, 15, 16				Pull Handle, Right
		1	2, 6	L	51, 52, 54, 55, 56				Pull Handle, Right
	05123789AA	1	2, 6	L	01, 02, 06				Pull Handle, Left
		1	2, 6	L	11, 12, 14, 15, 16				Pull Handle, Left
		1	2, 6	L	51, 52, 54, 55, 56				Pull Handle, Left
		1	3, 7	L	02, 06				Pull Handle, Left
		1	3, 7	L	12, 15, 16				Pull Handle, Left
	05133515AA	1	2, 6	L	01, 02, 06				Right
		1	2, 6	L	11, 12, 14, 15, 16				Right
		1	2, 6	L	51, 52, 54, 55, 56				Right
		1	3, 7	L	02, 06				Right
		1	3, 7	L	12, 15, 16				Right
	05133988AA	1	2, 6	L	01, 02, 06				Left
		1	2, 6	L	11, 12, 14, 15, 16				Left
		1	2, 6	L	51, 52, 54, 55, 56				Left
		1	3, 7	L	02, 06				Left
		1	3, 7	L	12, 15, 16				Left
3									CLIP, Door Trim
	05133516AA	1	2, 6	L	01, 02, 06				Right

SPRINTER (VA)

SERIES	LINE	BODY	ENGINE	TRANSMISSION
L = LOWLINE	3 = HD DODGE 2WD 8 = HD DODGE 4WD 6 = Lt. Duty DODGE 4WD 2 = Med. Duty DODGE 2WD 7 = Med. Duty DODGE 4WD 4 = TRUCK	01 = CHASSIS FORWARD CONTROL W.B.1 02 = CAB CHASSIS WHEEL BASE 2 06 = CAB CHASSIS WHEEL BASE 6 11 = VAN WHEEL BASE 1 12 = VAN WHEEL BASE 2 51 = WAGON WHEEL BASE 1 52 = WAGON WHEEL BASE 2 14 = VAN WHEEL BASE 4 15 = VAN WHEEL BASE 5 54 = WAGON WHEEL BASE 4 55 = WAGON WHEEL BASE 5 56 = WAGON WHEEL BASE 6 16 = VAN WHEEL BASE 6	EX8 = 2.7L I5 Turbo Diesel Engine EX9 = 2.7L I5 Mercedes-Benz TD Engine	DGJ = 5-Speed Automatic MB Transmission DGZ = 4-Spd. Automatic MT643 Transmission

AR = use ase required - = Non illustrated part

Front Door Trim
Figure IVA-410



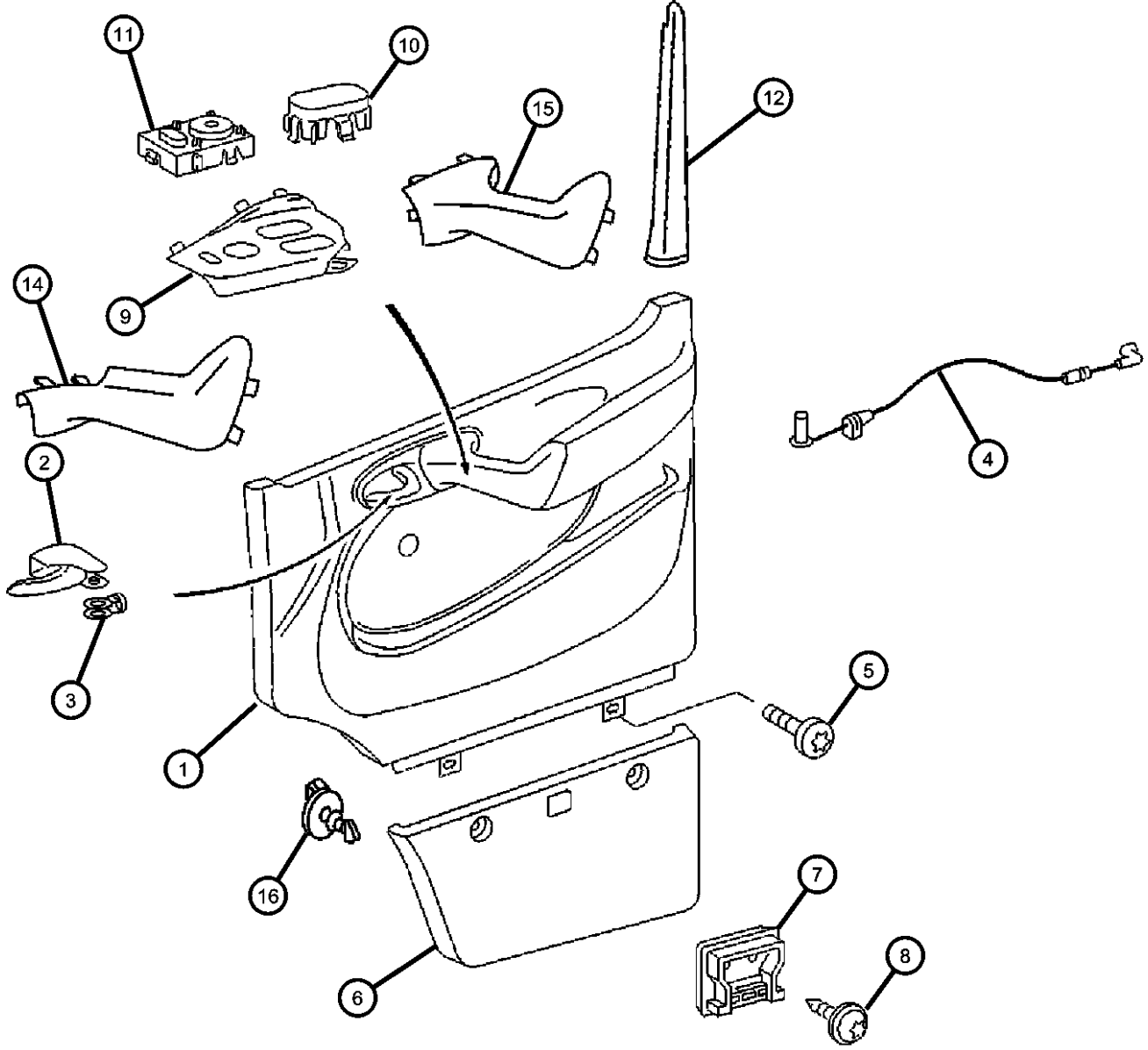
ITEM	PART NUMBER	QTY	LINE	SERIES	BODY	ENGINE	TRANS	TRIM	DESCRIPTION
		1	2, 6	L	11, 12, 14, 15, 16				Right
		1	2, 6	L	51, 52, 54, 55, 56				Right
		1	3, 7	L	02, 06				Right
		1	3, 7	L	12, 15, 16				Right
	05133989AA	1	2, 6	L	01, 02, 06				Left
		1	2, 6	L	11, 12, 14, 15, 16				Left
		1	2, 6	L	51, 52, 54, 55, 56				Left
		1	3, 7	L	02, 06				Left
		1	3, 7	L	12, 15, 16				Left
4									LINK, Door Latch
	05124068AA	1	2, 6	L	01, 02, 06				Left
		1	2, 6	L	11, 12, 14, 15, 16				Left
		1	2, 6	L	51, 52, 54, 55, 56				Left
		1	3, 7	L	12, 15, 16				Left
	05124069AA	1	2, 6	L	11, 12, 14, 15, 16				Right
		1	2, 6	L	51, 52, 54, 55, 56				Right
		1	3, 7	L	12, 15, 16				Right
		1	2, 6	L	01, 02, 06				Right
5									SCREW
	06104142AA	2	2, 6	L	01, 02, 06				
		2	2, 6	L	11, 12, 14, 15, 16				
		2	2, 6	L	51, 52, 54, 55, 56				
		2	3, 7	L	12, 15, 16				

SPRINTER (VA)

SERIES	LINE	BODY	ENGINE	TRANSMISSION
L = LOWLINE	3 = HD DODGE 2WD 8 = HD DODGE 4WD 6 = Lt. Duty DODGE 4WD 2 = Med. Duty DODGE 2WD 7 = Med. Duty DODGE 4WD 4 = TRUCK	01 = CHASSIS FORWARD CONTROL W.B.1 02 = CAB CHASSIS WHEEL BASE 2 06 = CAB CHASSIS WHEEL BASE 6 11 = VAN WHEEL BASE 1 12 = VAN WHEEL BASE 2 51 = WAGON WHEEL BASE 1 52 = WAGON WHEEL BASE 2 14 = VAN WHEEL BASE 4 15 = VAN WHEEL BASE 5 54 = WAGON WHEEL BASE 4 55 = WAGON WHEEL BASE 5 56 = WAGON WHEEL BASE 6 16 = VAN WHEEL BASE 6	EX8 = 2.7L I5 Turbo Diesel Engine EX9 = 2.7L I5 Mercedes-Benz TD Engine	DGJ = 5-Speed Automatic MB Transmission DGZ = 4-Spd. Automatic MT643 Transmission

AR = use ase required - = Non illustrated part

Front Door Trim
Figure IVA-410



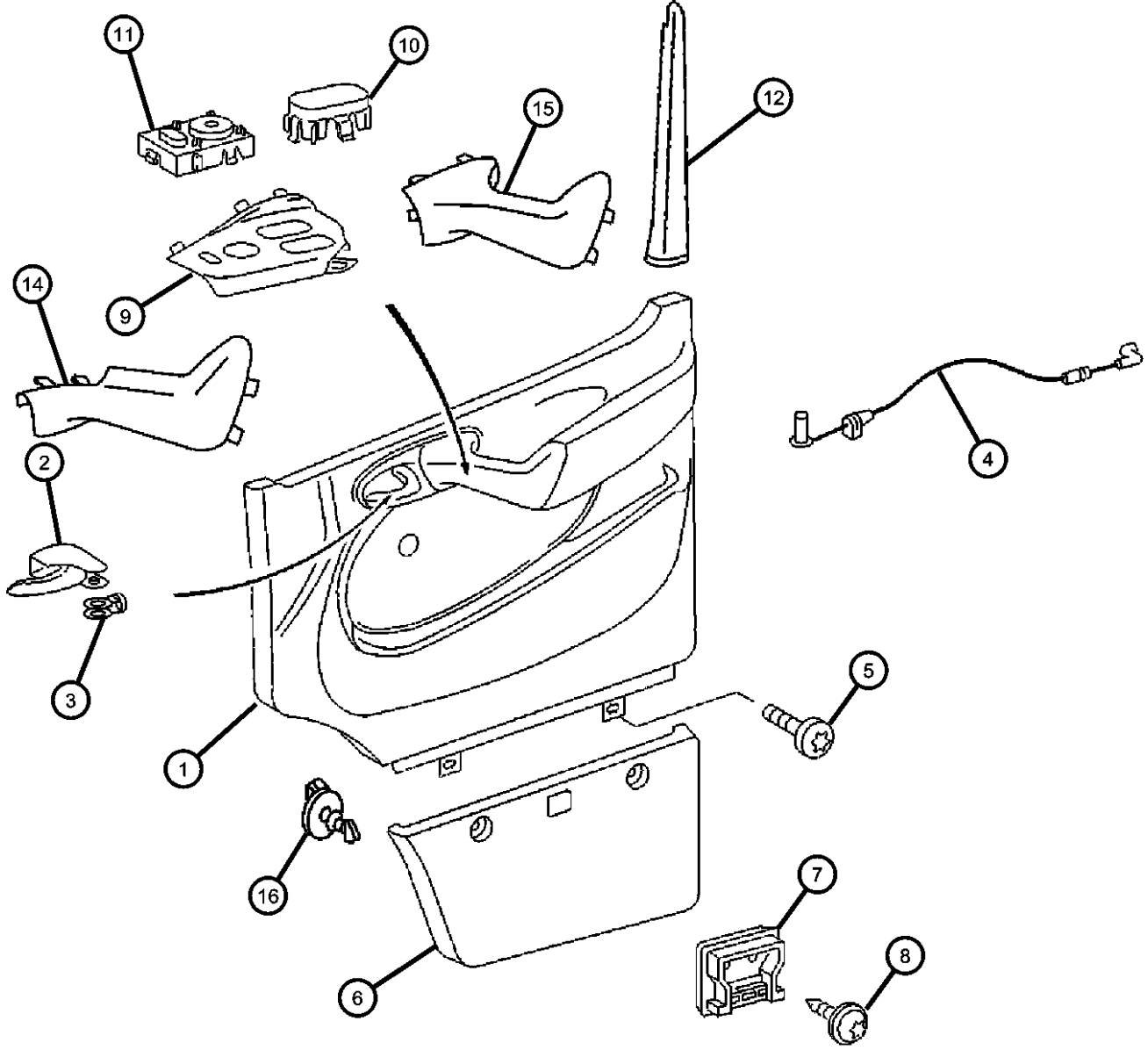
ITEM	PART NUMBER	QTY	LINE	SERIES	BODY	ENGINE	TRANS	TRIM	DESCRIPTION
		2	3, 7	L	02, 06				
6									COVER, Door Panel
	05104325AA	1	2, 6	L	11, 12, 14, 15, 16				Left
		1	2, 6	L	51, 52, 54, 55, 56				Left
	05114499AA	1	3, 7	L	12, 15, 16				Left
		1	2, 6	L	01, 02, 06				Right
		1	2, 6	L	11, 12, 14, 15, 16				Right
		1	2, 6	L	51, 52, 54, 55, 56				Right
		1	3, 7	L	02, 06				Right
		1	3, 7	L	12, 15, 16				Right
7									BEZEL, Door Trim Panel
	05123763AA	2	2, 6	L	11, 12, 14, 15, 16				
		2	2, 6	L	51, 52, 54, 55, 56				
		2	3, 7	L	12, 15, 16				
8									SCREW
	06104567AA	4	2, 6	L	01, 02, 06				
		4	2, 6	L	11, 12, 14, 15, 16				
		4	2, 6	L	51, 52, 54, 55, 56				
		4	3, 7	L	02, 06				
		4	3, 7	L	12, 15, 16				
9									BEZEL, Power Window/Door Lock Switch
	05123790AA	1	2, 6	L	01, 02, 06				Left
		1	2, 6	L	11, 12, 14, 15, 16				Left

SPRINTER (VA)

SERIES	LINE	BODY	ENGINE	TRANSMISSION
L = LOWLINE	3 = HD DODGE 2WD 8 = HD DODGE 4WD 6 = Lt. Duty DODGE 4WD 2 = Med. Duty DODGE 2WD 7 = Med. Duty DODGE 4WD 4 = TRUCK	01 = CHASSIS FORWARD CONTROL W.B.1 02 = CAB CHASSIS WHEEL BASE 2 06 = CAB CHASSIS WHEEL BASE 6 11 = VAN WHEEL BASE 1 12 = VAN WHEEL BASE 2 51 = WAGON WHEEL BASE 1 52 = WAGON WHEEL BASE 2 14 = VAN WHEEL BASE 4 15 = VAN WHEEL BASE 5 54 = WAGON WHEEL BASE 4 55 = WAGON WHEEL BASE 5 56 = WAGON WHEEL BASE 6 16 = VAN WHEEL BASE 6	EX8 = 2.7L I5 Turbo Diesel Engine EX9 = 2.7L I5 Mercedes-Benz TD Engine	DGJ = 5-Speed Automatic MB Transmission DGZ = 4-Spd. Automatic MT643 Transmission

AR = use ase required - = Non illustrated part

Front Door Trim
Figure IVA-410



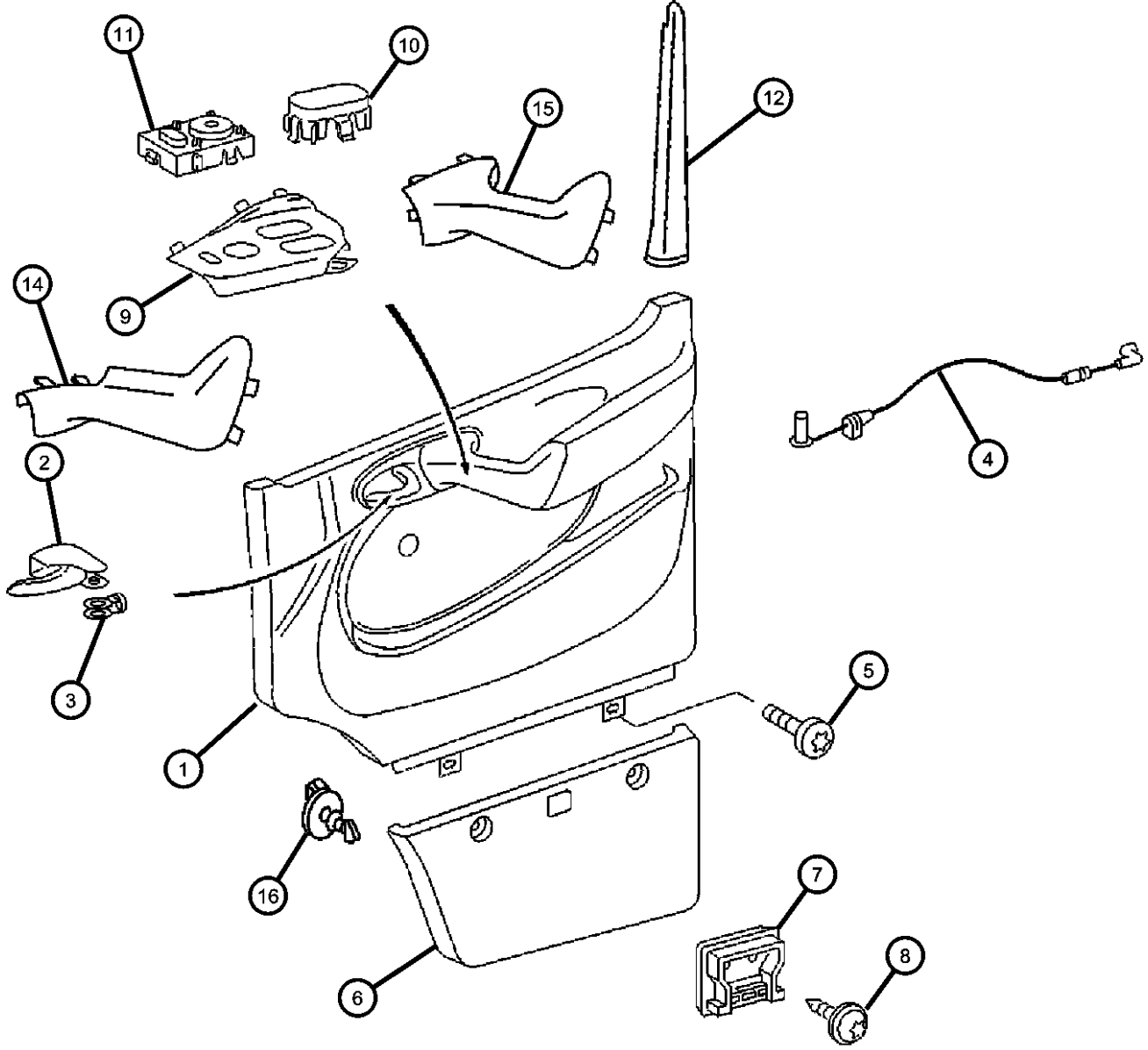
ITEM	PART NUMBER	QTY	LINE	SERIES	BODY	ENGINE	TRANS	TRIM	DESCRIPTION
		1	2, 6	L	51, 52, 54, 55, 56				Left
	05123791AA	1	2, 6	L	11, 12, 14, 15, 16				Right
		1	2, 6	L	51, 52, 54, 55, 56				Right
		1	3, 7	L	02, 06				Right
		1	3, 7	L	02, 06				Left
		1	3, 7	L	12, 15, 16				Left
		1	2, 6	L	01, 02, 06				Right
		1	3, 7	L	12, 15, 16				Right
10									COVER, Switch
	05104354AA	2	3, 7	L	02, 06				
		2	3, 7	L	12, 15, 16				
		2	2, 6	L	01, 02, 06				
		2	2, 6	L	11, 12, 14, 15, 16				
		2	2, 6	L	51, 52, 54, 55, 56				
11									SWITCH, Mirror
	05123792AA	1	2, 6	L	01, 02, 06				
		1	2, 6	L	11, 12, 14, 15, 16				
		1	2, 6	L	51, 52, 54, 55, 56				
		1	3, 7	L	02, 06				
		1	3, 7	L	12, 15, 16				
12									MOLDING, Front Door Closeout
	05104322AA	1	2, 6	L	01, 02, 06				Left
		1	2, 6	L	11, 12, 14, 15, 16				Left

SPRINTER (VA)

SERIES	LINE	BODY	ENGINE	TRANSMISSION
L = LOWLINE	3 = HD DODGE 2WD 8 = HD DODGE 4WD 6 = Lt. Duty DODGE 4WD 2 = Med. Duty DODGE 2WD 7 = Med. Duty DODGE 4WD 4 = TRUCK	01 = CHASSIS FORWARD CONTROL W.B.1 02 = CAB CHASSIS WHEEL BASE 2 06 = CAB CHASSIS WHEEL BASE 6 11 = VAN WHEEL BASE 1 12 = VAN WHEEL BASE 2 51 = WAGON WHEEL BASE 1 52 = WAGON WHEEL BASE 2 14 = VAN WHEEL BASE 4 15 = VAN WHEEL BASE 5 54 = WAGON WHEEL BASE 4 55 = WAGON WHEEL BASE 5 56 = WAGON WHEEL BASE 6 16 = VAN WHEEL BASE 6	EX8 = 2.7L I5 Turbo Diesel Engine EX9 = 2.7L I5 Mercedes-Benz TD Engine	DGJ = 5-Speed Automatic MB Transmission DGZ = 4-Spd. Automatic MT643 Transmission

AR = use ase required - = Non illustrated part

Front Door Trim
Figure IVA-410



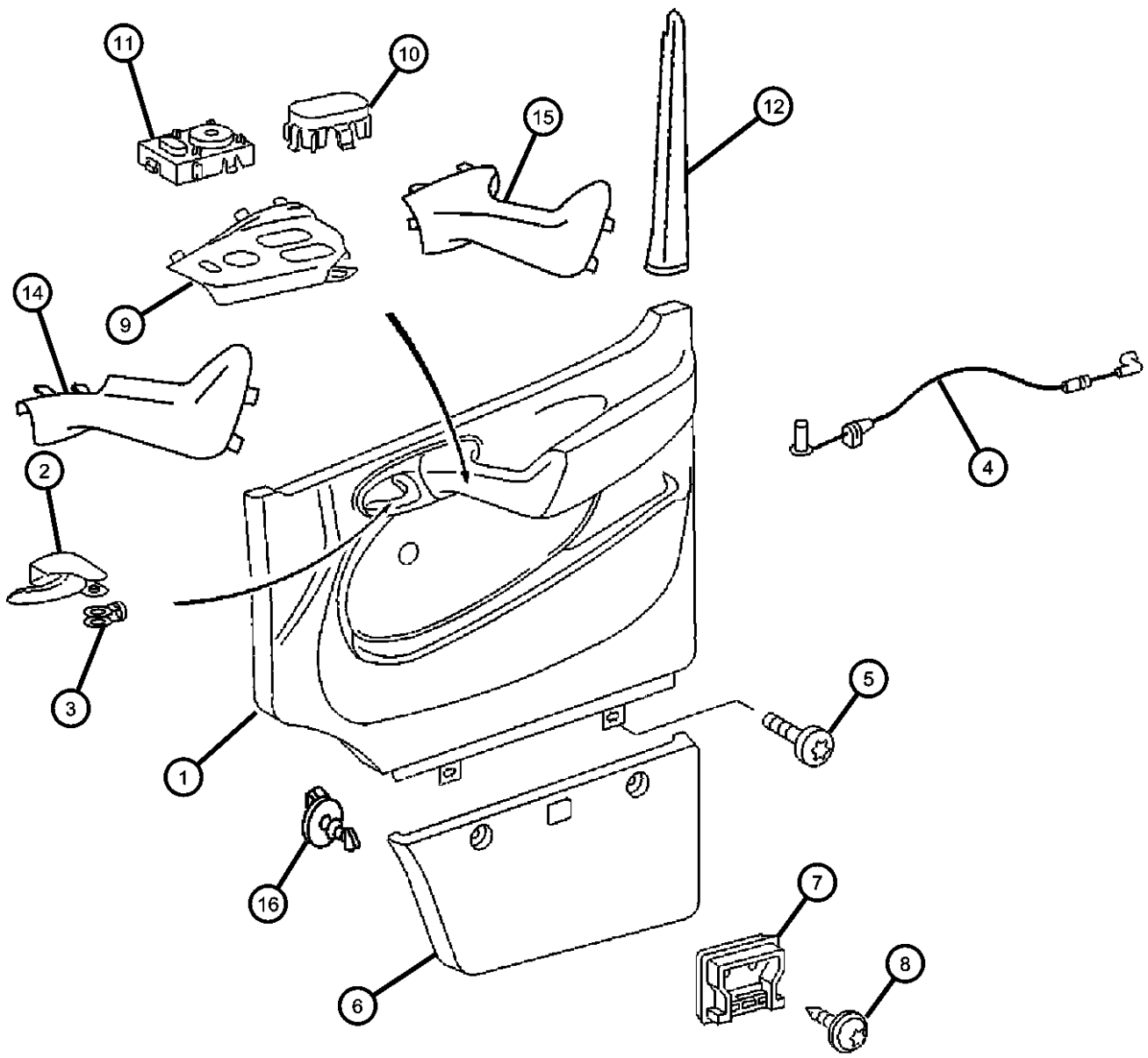
ITEM	PART NUMBER	QTY	LINE	SERIES	BODY	ENGINE	TRANS	TRIM	DESCRIPTION
		1	2, 6	L	51, 52, 54, 55, 56				Left
		1	3, 7	L	02, 06				Left
		1	3, 7	L	12, 15, 16				Left
	05123738AA	1	2, 6	L	01, 02, 06				Right
		1	2, 6	L	11, 12, 14, 15, 16				Right
		1	2, 6	L	51, 52, 54, 55, 56				Right
		1	3, 7	L	02, 06				Right
		1	3, 7	L	12, 15, 16				Right
-13									CLIP, Trim
	06104897AA	6	2, 6	L	01, 02, 06				
		6	2, 6	L	11, 12, 14, 15, 16				
		6	2, 6	L	51, 52, 54, 55, 56				
		6	3, 7	L	02, 06				
		6	3, 7	L	12, 15, 16				
14									HANDLE, Door Interior
	05123788AA	1	2, 6	L	01, 02, 06				With [JPA] Power Heated Mirrors, Left
		1	2, 6	L	11, 12, 14, 15, 16				With [JPA] Power Heated Mirrors, Left
		1	3, 7	L	12, 15, 16				With [JPA] Power Heated Mirrors, Left
	05123789AA	1	2, 6	L	01, 02, 06				With [JPA] Power Heated Mirrors, Right
		1	2, 6	L	11, 12, 14, 15, 16				With [JPA] Power Heated Mirrors, Right
		1	2, 6	L	51, 52, 54, 55, 56				With [JPA] Power Heated Mirrors, Left
		1	3, 7	L	02, 06				With [JPA] Power Heated Mirrors, Left

SPRINTER (VA)

SERIES	LINE	BODY	ENGINE	TRANSMISSION
L = LOWLINE	3 = HD DODGE 2WD 8 = HD DODGE 4WD 6 = Lt. Duty DODGE 4WD 2 = Med. Duty DODGE 2WD 7 = Med. Duty DODGE 4WD 4 = TRUCK	01 = CHASSIS FORWARD CONTROL W.B.1 02 = CAB CHASSIS WHEEL BASE 2 06 = CAB CHASSIS WHEEL BASE 6 11 = VAN WHEEL BASE 1 12 = VAN WHEEL BASE 2 51 = WAGON WHEEL BASE 1 52 = WAGON WHEEL BASE 2 14 = VAN WHEEL BASE 4 15 = VAN WHEEL BASE 5 54 = WAGON WHEEL BASE 4 55 = WAGON WHEEL BASE 5 56 = WAGON WHEEL BASE 6 16 = VAN WHEEL BASE 6	EX8 = 2.7L I5 Turbo Diesel Engine EX9 = 2.7L I5 Mercedes-Benz TD Engine	DGJ = 5-Speed Automatic MB Transmission DGZ = 4-Spd. Automatic MT643 Transmission

AR = use ase required - = Non illustrated part

Front Door Trim
Figure IVA-410



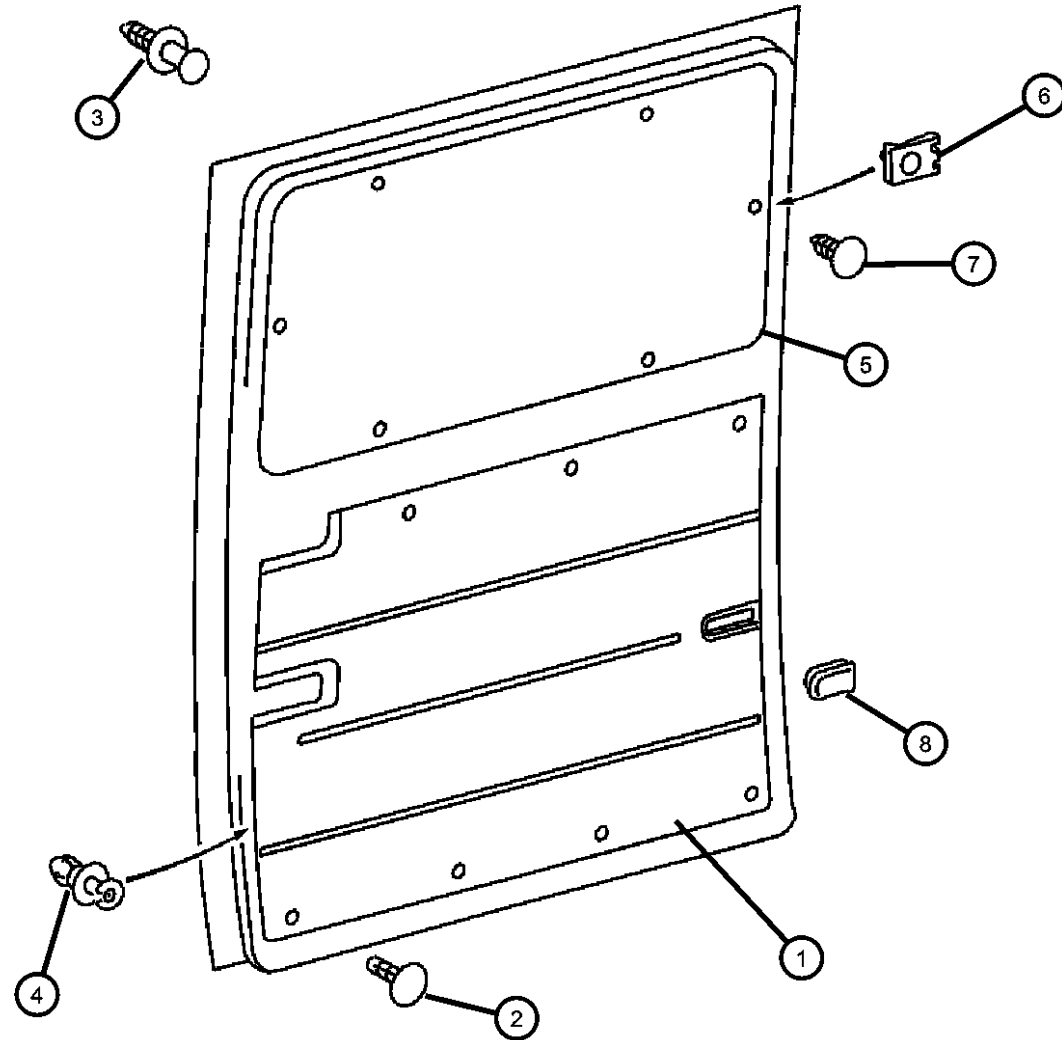
ITEM	PART NUMBER	QTY	LINE	SERIES	BODY	ENGINE	TRANS	TRIM	DESCRIPTION
		1	2, 6	L	51, 52, 54, 55, 56				With [JPA] Power Heated Mirrors, Right
		1	3, 7	L	02, 06				With [JPA] Power Heated Mirrors, Right
		1	3, 7	L	12, 15, 16				With [JPA] Power Heated Mirrors, Right
15									HANDLE, Door Interior
	05123786AA	1	2, 6	L	01, 02, 06				Without [JPA] Power Mirrors, Left
		1	2, 6	L	11, 12, 14, 15, 16				Without [JPA] Power Mirrors, Left
		1	2, 6	L	51, 52, 54, 55, 56				Without [JPA] Power Mirrors, Left
		1	3, 7	L	02, 06				Without [JPA] Power Mirrors, Left
		1	3, 7	L	12, 15, 16				Without [JPA] Power Mirrors, Left
	05123787AA	1	2, 6	L	01, 02, 06				Without [JPA] Power Mirrors, Right
		1	2, 6	L	11, 12, 14, 15, 16				Without [JPA] Power Mirrors, Right
		1	2, 6	L	51, 52, 54, 55, 56				Without [JPA] Power Mirrors, Right
		1	3, 7	L	02, 06				Without [JPA] Power Mirrors, Right
		1	3, 7	L	12, 15, 16				Without [JPA] Power Mirrors, Right
16									RETAINER, Trim Panel
	05133517AA	2	2, 6	L	01, 02, 06				
		2	2, 6	L	11, 12, 14, 15, 16				
		2	2, 6	L	51, 52, 54, 55, 56				
		2	3, 7	L	02, 06				
		2	3, 7	L	12, 15, 16				

SPRINTER (VA)

SERIES	LINE	BODY	ENGINE	TRANSMISSION
L = LOWLINE	3 = HD DODGE 2WD 8 = HD DODGE 4WD 6 = Lt. Duty DODGE 4WD 2 = Med. Duty DODGE 2WD 7 = Med. Duty DODGE 4WD 4 = TRUCK	01 = CHASSIS FORWARD CONTROL W.B.1 02 = CAB CHASSIS WHEEL BASE 2 06 = CAB CHASSIS WHEEL BASE 6 11 = VAN WHEEL BASE 1 12 = VAN WHEEL BASE 2 51 = WAGON WHEEL BASE 1 52 = WAGON WHEEL BASE 2 14 = VAN WHEEL BASE 4 15 = VAN WHEEL BASE 5 54 = WAGON WHEEL BASE 4 55 = WAGON WHEEL BASE 5 56 = WAGON WHEEL BASE 6 16 = VAN WHEEL BASE 6	EX8 = 2.7L I5 Turbo Diesel Engine EX9 = 2.7L I5 Mercedes-Benz TD Engine	DGJ = 5-Speed Automatic MB Transmission DGZ = 4-Spd. Automatic MT643 Transmission

AR = use ase required - = Non illustrated part

**Sliding Door Trim
Figure IVA-420**



ITEM	PART NUMBER	QTY	LINE	SERIES	BODY	ENGINE	TRANS	TRIM	DESCRIPTION
------	-------------	-----	------	--------	------	--------	-------	------	-------------

Sales Codes:
 [4UW] = Interior Paneling Luxury
 [CMF] = Cargo Panels
 [GKA] = Right Sliding Door
 [GKE] = Left Sliding Door
 [GKG] = High Clearance

1									PANEL, Sliding Door Trim
	05123845AA	1	2, 6	L	51, 52, 54, 55, 56				With [GKA] Sliding Right Door and [4UW] Interior Paneling
	05104366AA	1	2, 6	L	11, 12, 14, 15, 16				With [GKA] Sliding Right Door
		1	2, 6	L	51, 52, 54, 55, 56				With [GKA] Sliding Right Door
		1	3, 7	L	12, 15, 16				With [GKA] Sliding Right Door
	05104367AA	1	2, 6	L	11, 12, 14, 15, 16				With [GKA] Sliding Right Door and [CMF] Cargo Panels
		1	3, 7	L	12, 15, 16				With [GKA] Sliding Right Door and [CMF] Cargo Panels
	05123841AA	1	2, 6	L	11, 12, 14, 15, 16				With [GKE] Sliding Left Door and [4UW] Interior Paneling Luxury
		1	2, 6	L	51, 52, 54, 55, 56				With [GKE] Sliding Left Door and [4UW] Interior Paneling Luxury
		1	3, 7	L	12, 15, 16				With [GKE] Sliding Left Door and [4UW] Interior Paneling Luxury
		1	2, 6	L	11, 12, 14, 15, 16				With [GKA] Sliding Right Door and [4UW] Interior Paneling
		1	3, 7	L	12, 15, 16				With [GKA] Sliding Right Door and [4UW] Interior Paneling
	05123875AA	1	2, 6	L	11, 12, 14, 15, 16				With [GKE] Sliding Left Door and [CMF] Full Laminated Wood
		1	3, 7	L	12, 15, 16				With [GKE] Sliding Left Door and [CMF] Full Laminated Wood
	05123877AA	1	2, 6	L	11, 12, 14, 15, 16				With [GKE] Sliding Left Door
		1	2, 6	L	51, 52, 54, 55, 56				With [GKE] Sliding Left Door
		1	3, 7	L	12, 15, 16				With [GKE] Sliding Left Door

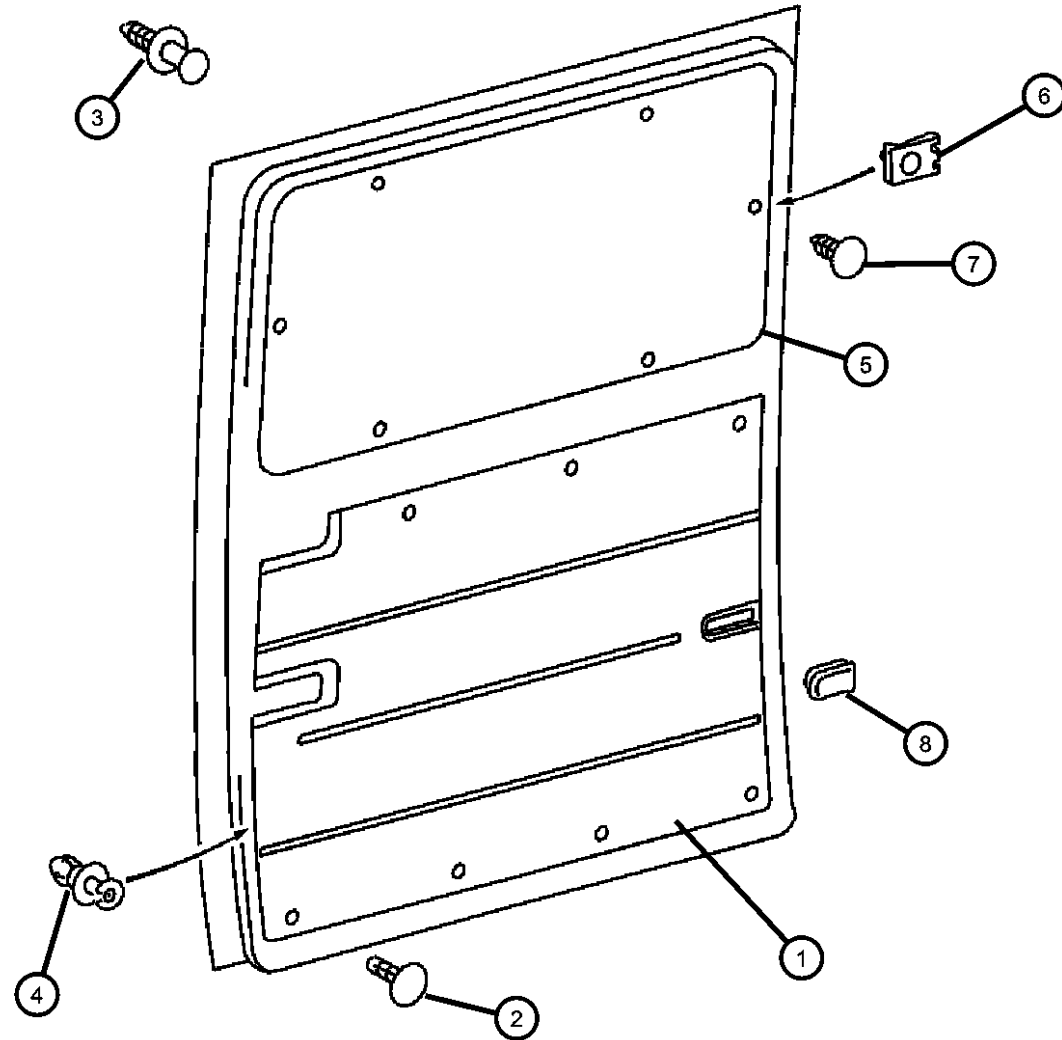
SPRINTER (VA)

SERIES	LINE	BODY	ENGINE	TRANSMISSION
L = LOWLINE	3 = HD DODGE 2WD 8 = HD DODGE 4WD 6 = Lt. Duty DODGE 4WD 2 = Med. Duty DODGE 2WD 7 = Med. Duty DODGE 4WD 4 = TRUCK	01 = CHASSIS FORWARD CONTROL W.B.1 02 = CAB CHASSIS WHEEL BASE 2 06 = CAB CHASSIS WHEEL BASE 6 11 = VAN WHEEL BASE 1 12 = VAN WHEEL BASE 2 51 = WAGON WHEEL BASE 1 52 = WAGON WHEEL BASE 2 14 = VAN WHEEL BASE 4 15 = VAN WHEEL BASE 5 54 = WAGON WHEEL BASE 4 55 = WAGON WHEEL BASE 5 56 = WAGON WHEEL BASE 6 16 = VAN WHEEL BASE 6	EX8 = 2.7L I5 Turbo Diesel Engine EX9 = 2.7L I5 Mercedes-Benz TD Engine	DGJ = 5-Speed Automatic MB Transmission DGZ = 4-Spd. Automatic MT643 Transmission

AR = use ase required - = Non illustrated part

2006 VA

**Sliding Door Trim
Figure IVA-420**



ITEM	PART NUMBER	QTY	LINE	SERIES	BODY	ENGINE	TRANS	TRIM	DESCRIPTION
	05123881AA	1	2, 6	L	11, 12, 14, 15, 16				With [GKE] Sliding Left Door and [CTE] Washable Wall
		1	3, 7	L	12, 15, 16				With [GKE] Sliding Left Door and [CTE] Washable Wall
	05123882AA	1	2, 6	L	11, 12, 14, 15, 16				With [GKA] Sliding Right Door and [CTE] Washable Wall
		1	3, 7	L	12, 15, 16				With [GKA] Sliding Right Door and [CTE] Washable Wall
2	05103553AA	9	2, 6	L	11, 12, 14, 15, 16				PIN, Push
		9	2, 6	L	51, 52, 54, 55, 56				
		9	3, 7	L	12, 15, 16				
3	05103925AA	8	2, 6	L	11, 12, 14, 15, 16				PIN, Push
		1	2, 6	L	51, 52, 54, 55, 56				
		8	3, 7	L	12, 15, 16				
4	06104895AA	10	2, 6	L	11, 12, 14, 15, 16				PANEL, Cargo Door, Upper Right & Left
		10	2, 6	L	51, 52, 54, 55, 56				
		10	3, 7	L	12, 15, 16				
5	05123883AA	1	2, 6	L	11, 12, 14, 15, 16				
		1	3, 7	L	12, 15, 16				
6	05125859AA	10	3, 7	L	12, 15, 16				U-NUT
		10	2, 6	L	11, 12, 14, 15, 16				

SPRINTER (VA)

SERIES

L = LOWLINE
 3 = HD DODGE 2WD
 8 = HD DODGE 4WD
 6 = Lt. Duty DODGE 4WD
 2 = Med. Duty DODGE 2WD
 7 = Med. Duty DODGE 4WD
 4 = TRUCK

LINE

BODY

01 = CHASSIS FORWARD CONTROL W.B.1
 02 = CAB CHASSIS WHEEL BASE 2
 06 = CAB CHASSIS WHEEL BASE 6
 11 = VAN WHEEL BASE 1
 12 = VAN WHEEL BASE 2
 51 = WAGON WHEEL BASE 1
 52 = WAGON WHEEL BASE 2
 14 = VAN WHEEL BASE 4
 15 = VAN WHEEL BASE 5
 54 = WAGON WHEEL BASE 4
 55 = WAGON WHEEL BASE 5
 56 = WAGON WHEEL BASE 6
 16 = VAN WHEEL BASE 6

ENGINE

EX8 = 2.7L I5 Turbo Diesel Engine
 EX9 = 2.7L I5 Mercedes-Benz TD Engine

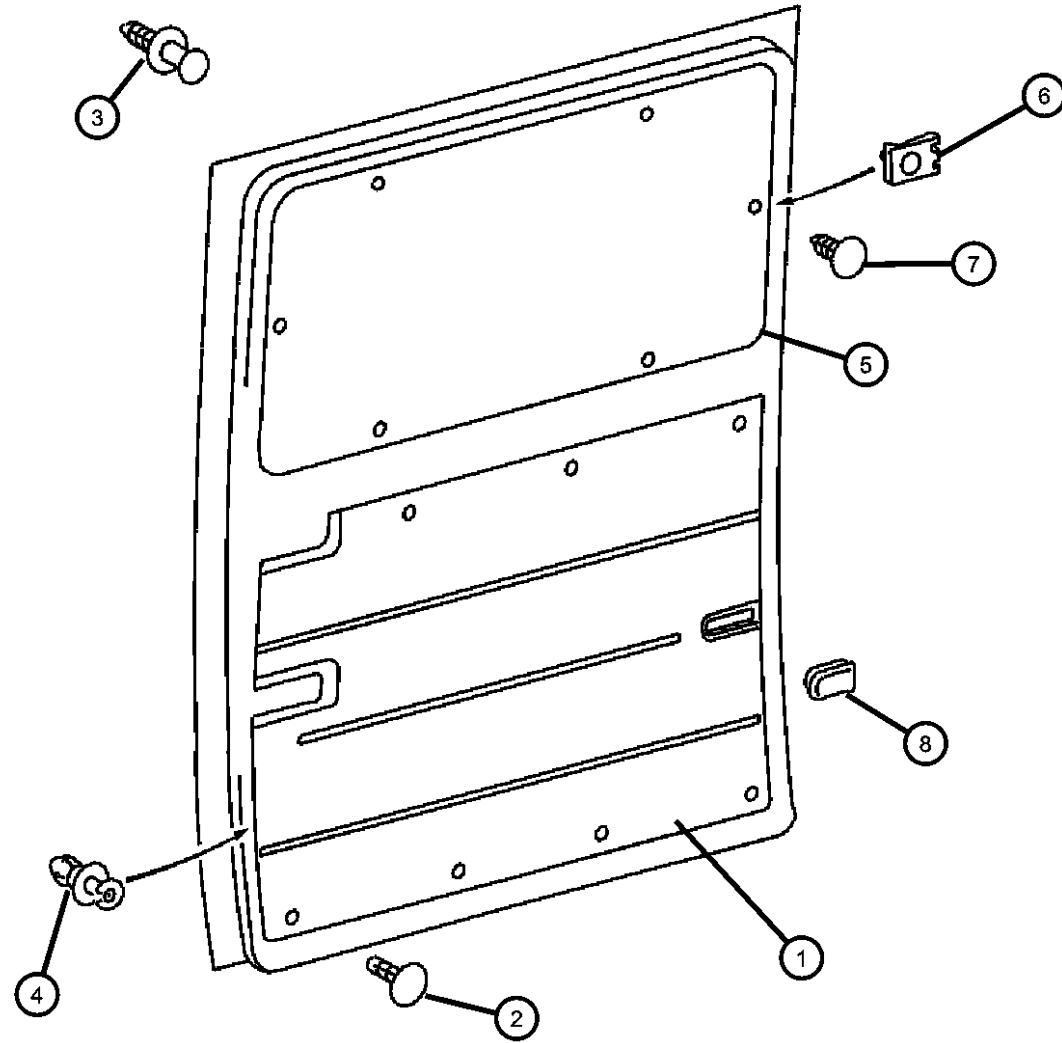
TRANSMISSION

DGJ = 5-Speed Automatic MB Transmission
 DGZ = 4-Spd. Automatic MT643 Transmission

AR = use ase required - = Non illustrated part

2006 VA

Sliding Door Trim
Figure IVA-420



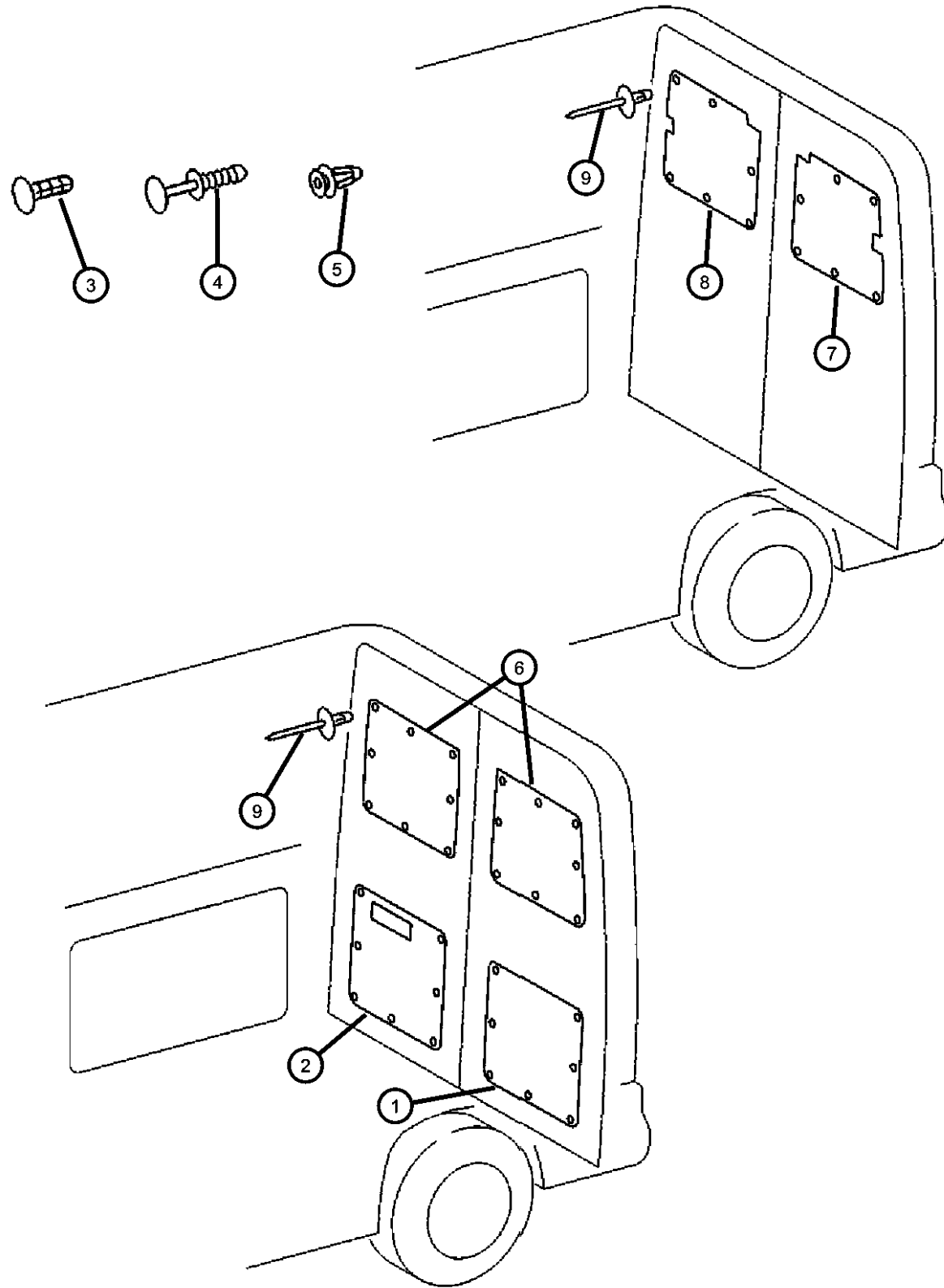
ITEM	PART NUMBER	QTY	LINE	SERIES	BODY	ENGINE	TRANS	TRIM	DESCRIPTION
7	05103818AA	10	2, 6	L	11, 12, 14, 15, 16				PIN, Push
		10	3, 7	L	12, 15, 16				
8	05104365AA	1	2, 6	L	11, 12, 14, 15, 16				PLUG, Access Hole
		1	2, 6	L	51, 52, 54, 55, 56				Without [GKG], High Clearance
		1	3, 7	L	16				Without [GKG], High Clearance
	05104588AA	1	2, 6	L	11, 12, 14, 15, 16				With [GKG], High Clearance
		1	3, 7	L	12, 15				With [GKG], High Clearance
-9	05104424AA	1	2, 6	L	11, 12, 14, 15, 16				CATCH, Sliding Partition Door
		1	3, 7	L	12, 15, 16				Cargo Partition
-10	05124110AA	2	2, 6	L	11, 12, 14, 15, 16				TAPPING PLATE, Side Door Lock
		2	2, 6	L	51, 52, 54, 55, 56				Striker
		2	3, 7	L	12, 15, 16				

SPRINTER (VA)

SERIES	LINE	BODY	ENGINE	TRANSMISSION
L = LOWLINE	3 = HD DODGE 2WD 8 = HD DODGE 4WD 6 = Lt. Duty DODGE 4WD 2 = Med. Duty DODGE 2WD 7 = Med. Duty DODGE 4WD 4 = TRUCK	01 = CHASSIS FORWARD CONTROL W.B.1 02 = CAB CHASSIS WHEEL BASE 2 06 = CAB CHASSIS WHEEL BASE 6 11 = VAN WHEEL BASE 1 12 = VAN WHEEL BASE 2 51 = WAGON WHEEL BASE 1 52 = WAGON WHEEL BASE 2 14 = VAN WHEEL BASE 4 15 = VAN WHEEL BASE 5 54 = WAGON WHEEL BASE 4 55 = WAGON WHEEL BASE 5 56 = WAGON WHEEL BASE 6 16 = VAN WHEEL BASE 6	EX8 = 2.7L I5 Turbo Diesel Engine EX9 = 2.7L I5 Mercedes-Benz TD Engine	DGJ = 5-Speed Automatic MB Transmission DGZ = 4-Spd. Automatic MT643 Transmission

AR = use ase required - = Non illustrated part

Rear Dual Door Trim
Figure IVA-430



ITEM	PART NUMBER	QTY	LINE	SERIES	BODY	ENGINE	TRANS	TRIM	DESCRIPTION
1									PANEL, Cargo Door, Left
	05104395AA	1	3, 7	L	12, 15, 16				Hard Fiber
	05123950AA	1	2, 6	L	11, 12, 14, 15, 16				Fabric
		1	2, 6	L	11, 12, 14, 15, 16				Hard Fiber
		1	2, 6	L	51, 52, 54, 55, 56				Hard Fiber
		1	2, 6	L	51, 52, 54, 55, 56				Fabric
	05124024AA	1	3, 7	L	12, 15, 16				Fabric
		1	2, 6	L	11, 12, 14, 15, 16				Plywood
		1	3, 7	L	12, 15, 16				Plywood
2									PANEL, Cargo Door, Right
	05104396AA	1	2, 6	L	11, 12, 14, 15, 16				Hard Fiber
		1	2, 6	L	51, 52, 54, 55, 56				Hard Fiber
	05123953AA	1	3, 7	L	12, 15, 16				Hard Fiber
		1	2, 6	L	11, 12, 14, 15, 16				Fabric
		1	2, 6	L	51, 52, 54, 55, 56				Fabric
	05124026AA	1	3, 7	L	12, 15, 16				Fabric
		1	2, 6	L	11, 12, 14, 15, 16				Plymouth
		1	3, 7	L	12, 15, 16				Plymouth
3									PIN, Push, White
	05103553AA	7	2, 6	L	11, 12, 14, 15, 16				
		7	2, 6	L	51, 52, 54, 55, 56				
		7	3, 7	L	12, 15, 16				
4									PIN, Push

SPRINTER (VA)

SERIES

L = LOWLINE

LINE

3 = HD DODGE 2WD
8 = HD DODGE 4WD
6 = Lt. Duty DODGE 4WD
2 = Med. Duty DODGE 2WD
7 = Med. Duty DODGE 4WD
4 = TRUCK

BODY

01 = CHASSIS FORWARD CONTROL W.B.1
02 = CAB CHASSIS WHEEL BASE 2
06 = CAB CHASSIS WHEEL BASE 6
11 = VAN WHEEL BASE 1
12 = VAN WHEEL BASE 2
51 = WAGON WHEEL BASE 1
52 = WAGON WHEEL BASE 2
14 = VAN WHEEL BASE 4
15 = VAN WHEEL BASE 5
54 = WAGON WHEEL BASE 4
55 = WAGON WHEEL BASE 5
56 = WAGON WHEEL BASE 6
16 = VAN WHEEL BASE 6

ENGINE

EX8 = 2.7L I5 Turbo Diesel Engine
EX9 = 2.7L I5 Mercedes-Benz TD Engine

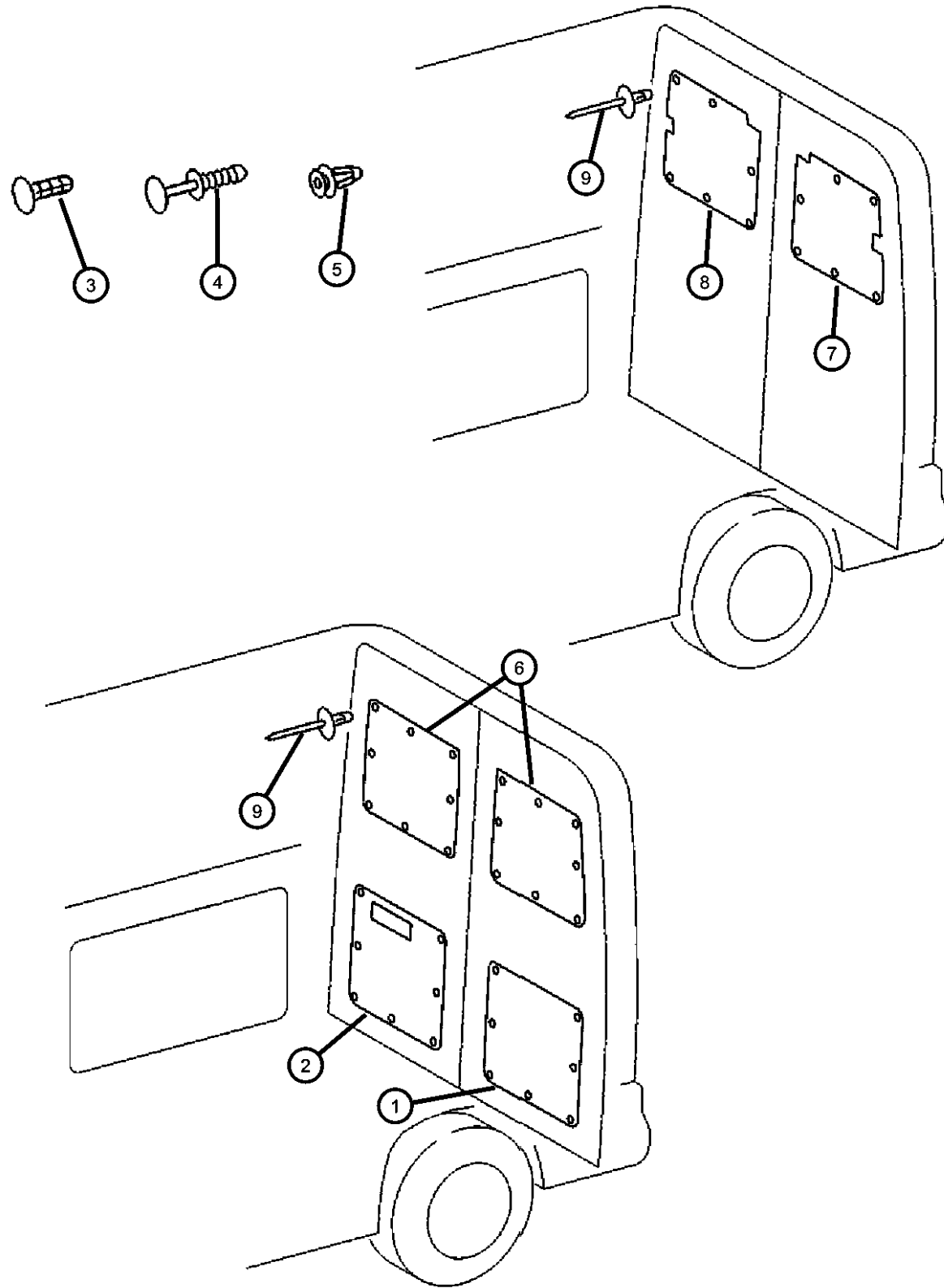
TRANSMISSION

DGJ = 5-Speed Automatic MB Transmission
DGZ = 4-Spd. Automatic MT643 Transmission

AR = use ase required - = Non illustrated part

2006 VA

Rear Dual Door Trim
Figure IVA-430



ITEM	PART NUMBER	QTY	LINE	SERIES	BODY	ENGINE	TRANS	TRIM	DESCRIPTION
	05103925AA	1	2, 6	L	51, 52, 54, 55, 56				
		8	3, 7	L	12, 15, 16				
		1	2, 6	L	11, 12, 14, 15, 16				
5	06104895AA	15	2, 6	L	11, 12, 14, 15, 16				PIN, Push
		15	2, 6	L	51, 52, 54, 55, 56				
		15	3, 7	L	12, 15, 16				
6	05124035AA	1	2, 6	L	11, 12, 14, 15, 16				PANEL, Cargo Door, Right & Left
		1	3, 7	L	12, 15, 16				
7	05124036AA	1	3, 7	L	12, 15, 16				PANEL, Cargo Door, Left
		1	2, 6	L	11, 12, 14, 15, 16				
8	05124036AA	1	2, 6	L	11, 12, 14, 15, 16				PANEL, Cargo Door, Right
		1	3, 7	L	12, 15, 16				
9	06104865AA	10	2, 6	L	11, 12, 14, 15, 16				RIVET
		10	2, 6	L	51, 52, 54, 55, 56				
		10	3, 7	L	12, 15, 16				

SPRINTER (VA)

SERIES

L = LOWLINE

LINE

3 = HD DODGE 2WD
8 = HD DODGE 4WD
6 = Lt. Duty DODGE 4WD
2 = Med. Duty DODGE 2WD
7 = Med. Duty DODGE 4WD
4 = TRUCK

BODY

01 = CHASSIS FORWARD CONTROL W.B.1
02 = CAB CHASSIS WHEEL BASE 2
06 = CAB CHASSIS WHEEL BASE 6
11 = VAN WHEEL BASE 1
12 = VAN WHEEL BASE 2
51 = WAGON WHEEL BASE 1
52 = WAGON WHEEL BASE 2
14 = VAN WHEEL BASE 4
15 = VAN WHEEL BASE 5
54 = WAGON WHEEL BASE 4
55 = WAGON WHEEL BASE 5
56 = WAGON WHEEL BASE 6
16 = VAN WHEEL BASE 6

ENGINE

EX8 = 2.7L I5 Turbo Diesel Engine
EX9 = 2.7L I5 Mercedes-Benz TD Engine

TRANSMISSION

DGJ = 5-Speed Automatic MB Transmission
DGZ = 4-Spd. Automatic MT643 Transmission

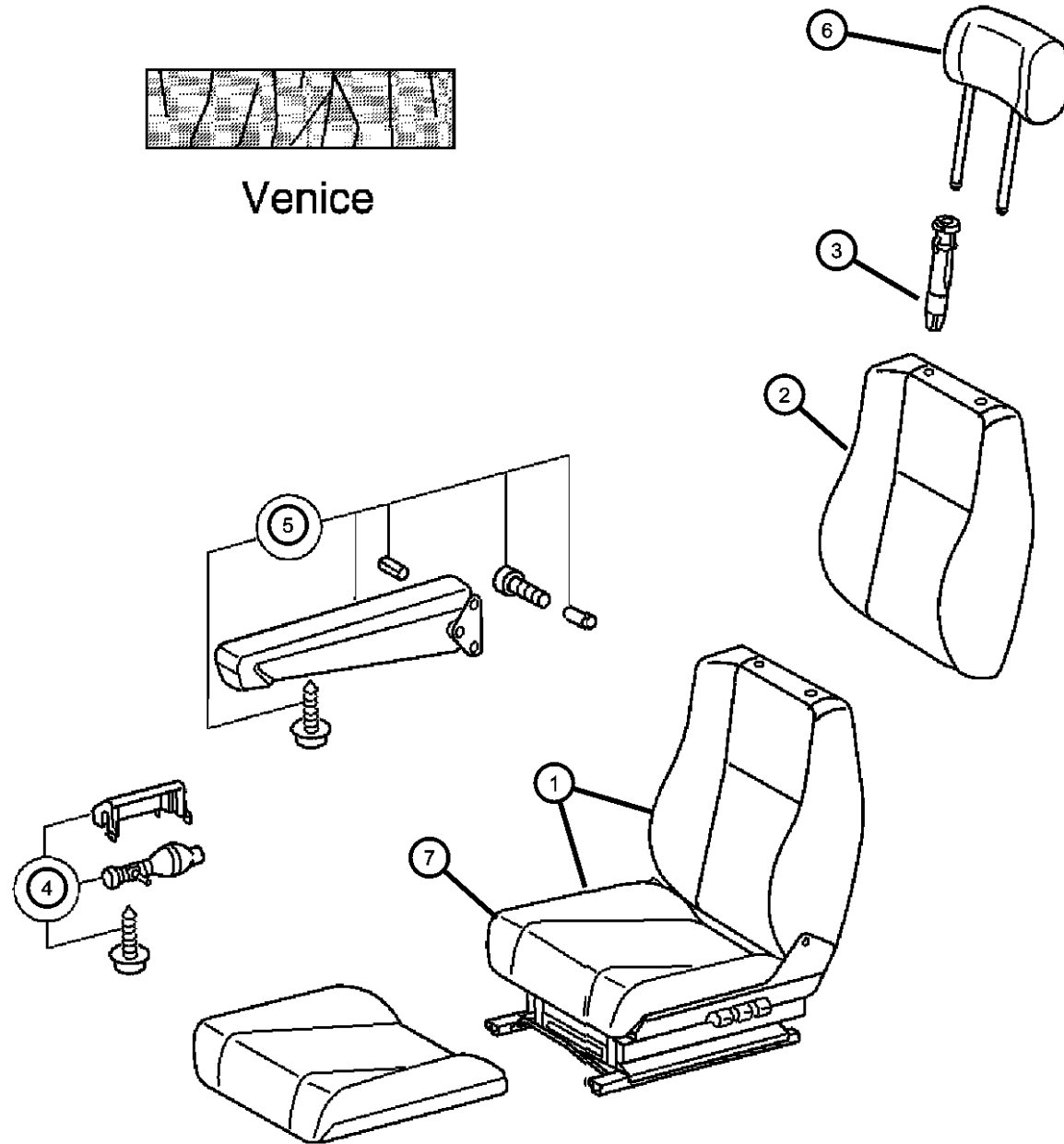
AR = use ase required - = Non illustrated part

2006 VA

Front Seat - Venice
Figure IVA-510



Venice



ITEM	PART NUMBER	QTY	LINE	SERIES	BODY	ENGINE	TRANS	TRIM	DESCRIPTION
1									SEAT COMPLETE, Front
	05127100AA	1	2, 6	L	11, 12, 14, 15, 16				Right
		1	2, 6	L	51, 52, 54, 55, 56				Right
		1	3, 7	L	02, 06				Right
	05127102AA	1	2, 6	L	01, 02, 06				Right
		1	3, 7	L	02, 06				Left
		1	3, 7	L	12, 15, 16				Left
		1	3, 7	L	12, 15, 16				Right
		1	2, 6	L	01, 02, 06				Left
		1	2, 6	L	11, 12, 14, 15, 16				Left
		1	2, 6	L	51, 52, 54, 55, 56				Left
	05127105AA	1	2, 6	L	01, 02, 06				Heated, Left
		1	2, 6	L	11, 12, 14, 15, 16				Heated, Left
		1	2, 6	L	51, 52, 54, 55, 56				Heated, Left
		1	3, 7	L	02, 06				Heated, Left
		1	3, 7	L	12, 15, 16				Heated, Left
	05127110AA	1	2, 6	L	01, 02, 06				Comfort seat, Left
		1	2, 6	L	11, 12, 14, 15, 16				Comfort seat, Left
		1	2, 6	L	51, 52, 54, 55, 56				Comfort seat, Left
		1	3, 7	L	02, 06				Comfort seat, Left
		1	3, 7	L	12, 15, 16				Comfort seat, Left
	05127113AA	1	2, 6	L	11, 12, 14, 15, 16				Heated Comfort Seat, Left
		1	2, 6	L	51, 52, 54, 55, 56				Heated Comfort Seat, Left
		1	3, 7	L	02, 06				Heated Comfort Seat, Left

SPRINTER (VA)

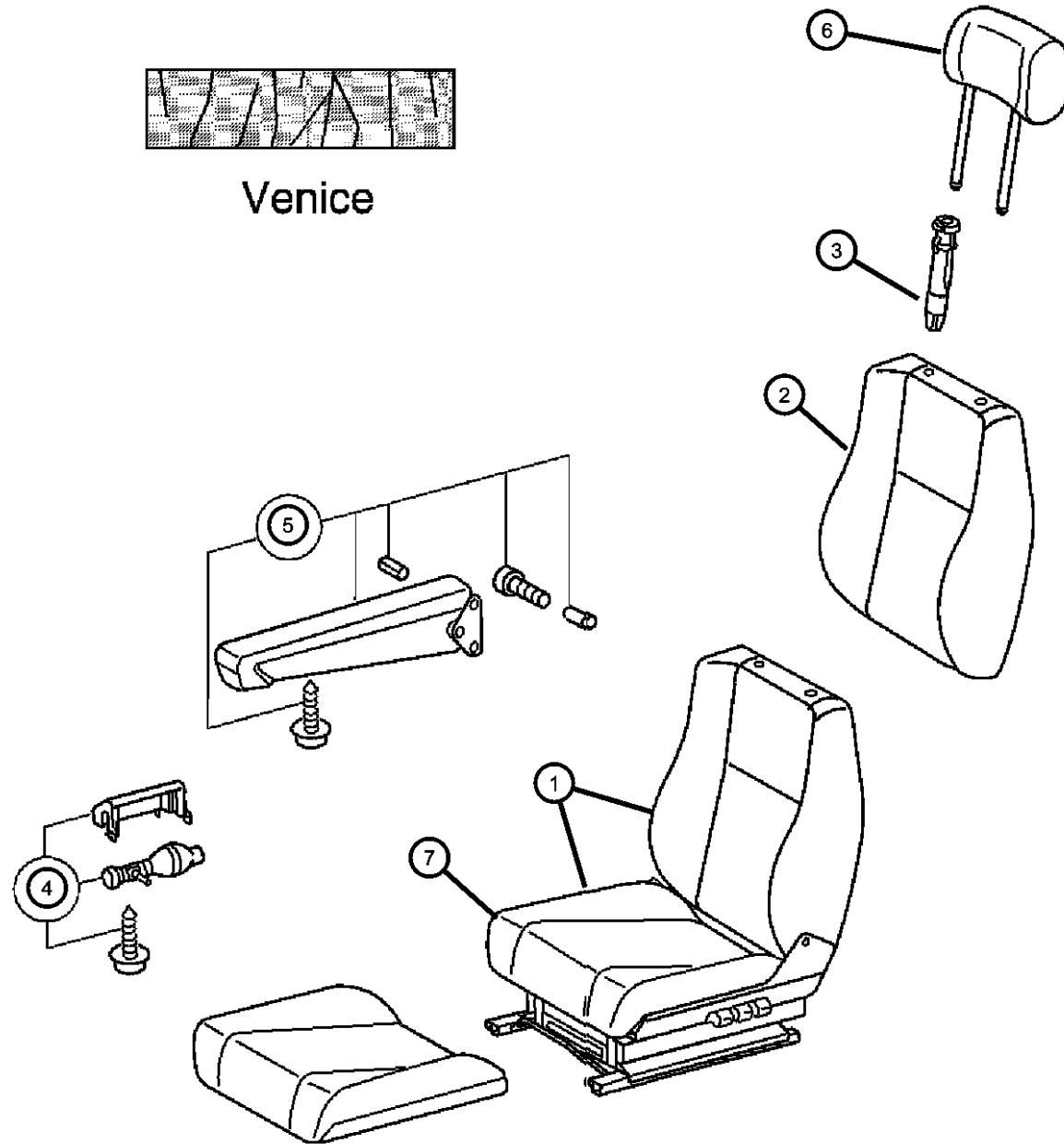
SERIES	LINE	BODY	ENGINE	TRANSMISSION
L = LOWLINE	3 = HD DODGE 2WD 8 = HD DODGE 4WD 6 = Lt. Duty DODGE 4WD 2 = Med. Duty DODGE 2WD 7 = Med. Duty DODGE 4WD 4 = TRUCK	01 = CHASSIS FORWARD CONTROL W.B.1 02 = CAB CHASSIS WHEEL BASE 2 06 = CAB CHASSIS WHEEL BASE 6 11 = VAN WHEEL BASE 1 12 = VAN WHEEL BASE 2 51 = WAGON WHEEL BASE 1 52 = WAGON WHEEL BASE 2 14 = VAN WHEEL BASE 4 15 = VAN WHEEL BASE 5 54 = WAGON WHEEL BASE 4 55 = WAGON WHEEL BASE 5 56 = WAGON WHEEL BASE 6 16 = VAN WHEEL BASE 6	EX8 = 2.7L I5 Turbo Diesel Engine EX9 = 2.7L I5 Mercedes-Benz TD Engine	DGJ = 5-Speed Automatic MB Transmission DGZ = 4-Spd. Automatic MT643 Transmission

AR = use ase required - = Non illustrated part

Front Seat - Venice
Figure IVA-510



Venice



ITEM	PART NUMBER	QTY	LINE	SERIES	BODY	ENGINE	TRANS	TRIM	DESCRIPTION
		1	3, 7	L	12, 15, 16				Heated Comfort Seat, Left
	05127114AA	1	2, 6	L	01, 02, 06				Comfort seat, Right
		1	2, 6	L	01, 02, 06				Heated Comfort Seat, Left
		1	3, 7	L	02, 06				Comfort seat, Right
	05127117AA	1	3, 7	L	12, 15, 16				Comfort seat, Right
		1	2, 6	L	01, 02, 06				Heated Comfort Seat, Right
		1	2, 6	L	11, 12, 14, 15, 16				Heated Comfort Seat, Right
		1	2, 6	L	11, 12, 14, 15, 16				Comfort seat, Right
		1	2, 6	L	51, 52, 54, 55, 56				Comfort seat, Right
		1	2, 6	L	51, 52, 54, 55, 56				Heated Comfort Seat, Right
		1	3, 7	L	02, 06				Heated Comfort Seat, Right
		1	3, 7	L	12, 15, 16				Heated Comfort Seat, Right
2	05170318AA	1	2, 3, 6, 7					*A7	SEAT BACK, Front
3									SLEEVE, Headrest
	1AV08AA7AA	2	2, 6	L	01, 02, 06			*B7	
		2	2, 6	L	11, 12, 14, 15, 16			*B7	
		2	2, 6	L	51, 52, 54, 55, 56			*B7	
		2	3, 7	L	02, 06			*B7	
		2	3, 7	L	12, 15, 16			*B7	
4	05127631AA	1	2, 6	L	01, 02, 06				PUMP, Lumbar Support
		1	2, 6	L	11, 12, 14, 15, 16				
		1	2, 6	L	51, 52, 54, 55, 56				
		1	3, 7	L	02, 06				

SPRINTER (VA)

SERIES

L = LOWLINE

LINE

3 = HD DODGE 2WD
8 = HD DODGE 4WD
6 = Lt. Duty DODGE 4WD
2 = Med. Duty DODGE 2WD
7 = Med. Duty DODGE 4WD
4 = TRUCK

BODY

01 = CHASSIS FORWARD CONTROL W.B.1
02 = CAB CHASSIS WHEEL BASE 2
06 = CAB CHASSIS WHEEL BASE 6
11 = VAN WHEEL BASE 1
12 = VAN WHEEL BASE 2
51 = WAGON WHEEL BASE 1
52 = WAGON WHEEL BASE 2
14 = VAN WHEEL BASE 4
15 = VAN WHEEL BASE 5
54 = WAGON WHEEL BASE 4
55 = WAGON WHEEL BASE 5
56 = WAGON WHEEL BASE 6
16 = VAN WHEEL BASE 6

ENGINE

EX8 = 2.7L I5 Turbo Diesel Engine
EX9 = 2.7L I5 Mercedes-Benz TD Engine

TRANSMISSION

DGJ = 5-Speed Automatic MB Transmission
DGZ = 4-Spd. Automatic MT643 Transmission

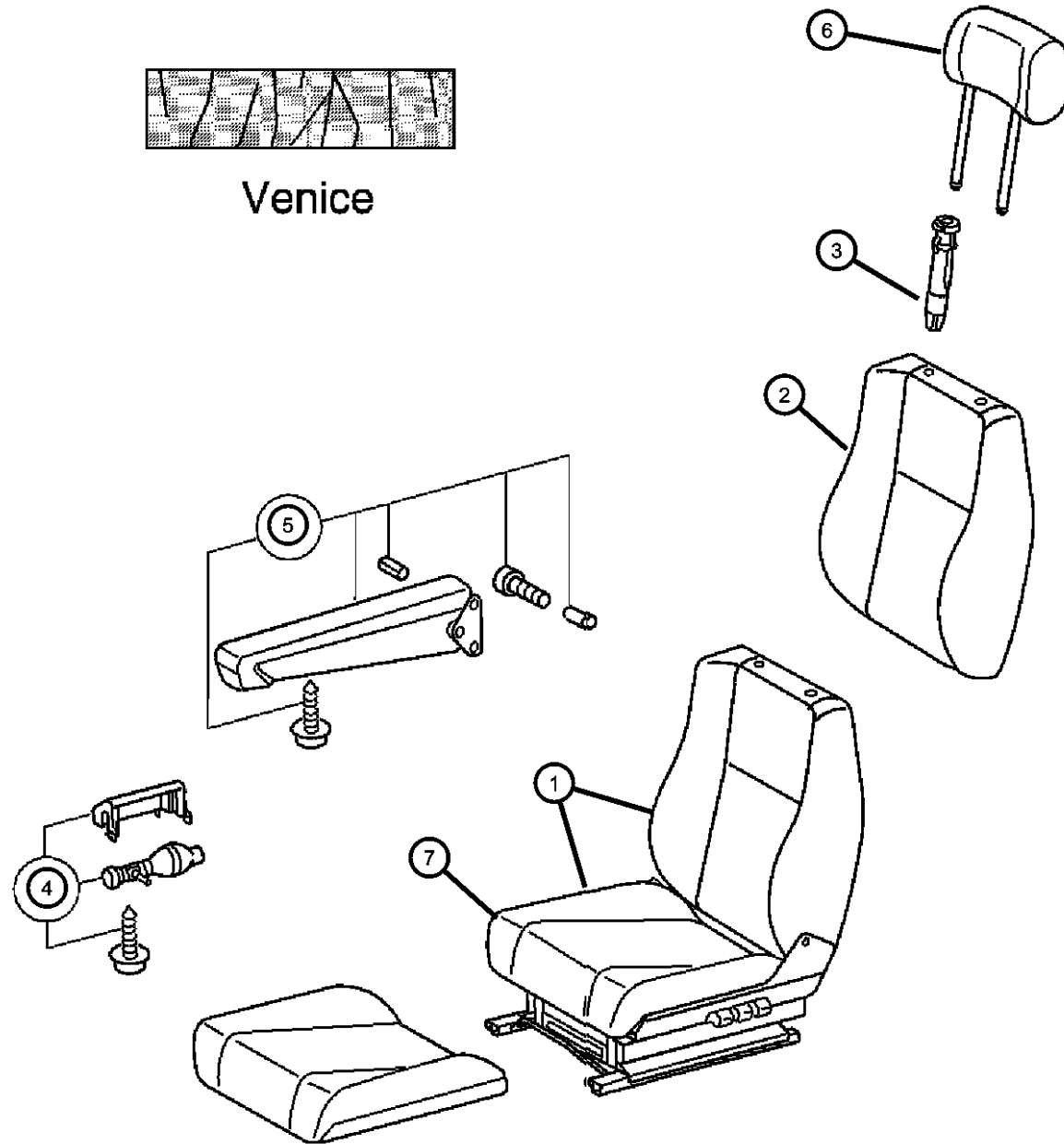
AR = use ase required - = Non illustrated part

2006 VA

Front Seat - Venice
Figure IVA-510



Venice



ITEM	PART NUMBER	QTY	LINE	SERIES	BODY	ENGINE	TRANS	TRIM	DESCRIPTION
5		1	7, 3	L	12, 15, 16				ARMREST, Seat
	05103710AA	1	2, 6	L	01, 02, 06				With Mounting Hardware, Left
		1	2, 6	L	11, 12, 14, 15, 16				With Mounting Hardware, Left
		1	2, 6	L	51, 52, 54, 55, 56				With Mounting Hardware, Left
	05103711AA	1	2, 6	L	01, 02, 06				With Mounting Hardware, Right
		1	2, 6	L	11, 12, 14, 15, 16				With Mounting Hardware, Right
		1	2, 6	L	51, 52, 54, 55, 56				With Mounting Hardware, Right
6									HEADREST
	05125368AA	3	2, 6	L	11, 12, 14, 15, 16				
		3	3, 7	L	12, 15, 16				
7									SEAT
	05133020AA	1	2, 6	L	51, 52, 54, 55, 56				Standard Seat Heated, Left
	05133015AA	1	2, 6	L	11, 12, 14, 15, 16				Single Seat, Left
		1	2, 6	L	51, 52, 54, 55, 56				Single Seat, Left
		1	3, 7	L	12, 15, 16				Single Seat, Left
		1	2, 6	L	11, 12, 14, 15, 16				Standard Seat Heated, Left
		1	3, 7	L	12, 15, 16				Standard Seat Heated, Left
	05133025AA	1	2, 6	L	11, 12, 14, 15, 16				Comfort Seat, Left
		1	2, 6	L	51, 52, 54, 55, 56				Comfort Seat, Left
		1	3, 7	L	12, 15, 16				Comfort Seat, Left
	05133028AA	1	2, 6	L	11, 12, 14, 15, 16				Comfort Seat-Heated, Left

SPRINTER (VA)

SERIES	LINE	BODY	ENGINE	TRANSMISSION
L = LOWLINE	3 = HD DODGE 2WD 8 = HD DODGE 4WD 6 = Lt. Duty DODGE 4WD 2 = Med. Duty DODGE 2WD 7 = Med. Duty DODGE 4WD 4 = TRUCK	01 = CHASSIS FORWARD CONTROL W.B.1 02 = CAB CHASSIS WHEEL BASE 2 06 = CAB CHASSIS WHEEL BASE 6 11 = VAN WHEEL BASE 1 12 = VAN WHEEL BASE 2 51 = WAGON WHEEL BASE 1 52 = WAGON WHEEL BASE 2 14 = VAN WHEEL BASE 4 15 = VAN WHEEL BASE 5 54 = WAGON WHEEL BASE 4 55 = WAGON WHEEL BASE 5 56 = WAGON WHEEL BASE 6 16 = VAN WHEEL BASE 6	EX8 = 2.7L I5 Turbo Diesel Engine EX9 = 2.7L I5 Mercedes-Benz TD Engine	DGJ = 5-Speed Automatic MB Transmission DGZ = 4-Spd. Automatic MT643 Transmission

AR = use ase required - = Non illustrated part

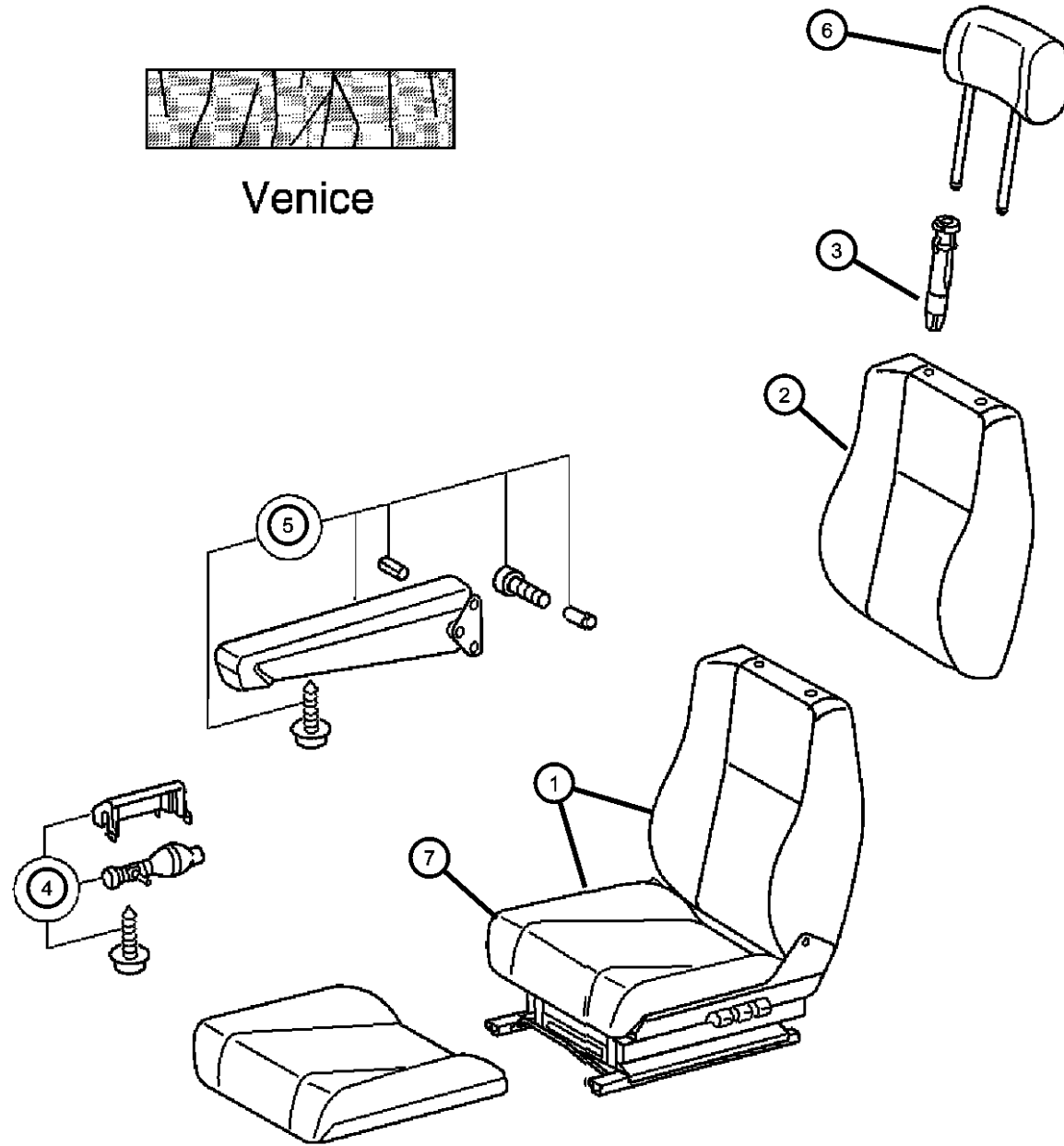
2006 VA

Front Seat - Venice
Figure IVA-510

ITEM	PART NUMBER	QTY	LINE	SERIES	BODY	ENGINE	TRANS	TRIM	DESCRIPTION
		1	2, 6	L	51, 52, 54, 55, 56				Comfort Seat-Heated, Left
		1	3, 7	L	12, 15, 16				Comfort Seat-Heated, Left
	05133029AA	1	2, 6	L	11, 12, 14, 15, 16				Comfort Seat, Right
		1	2, 6	L	51, 52, 54, 55, 56				Comfort Seat, Right
		1	3, 7	L	12, 15, 16				Comfort Seat, Right
	05133032AA	1	2, 6	L	11, 12, 14, 15, 16				Comfort Seat-Heated, Right
		1	2, 6	L	51, 52, 54, 55, 56				Comfort Seat-Heated, Right
		1	3, 7	L	12, 15, 16				Comfort Seat-Heated, Right



Venice



SPRINTER (VA)

SERIES

L = LOWLINE

LINE

3 = HD DODGE 2WD
8 = HD DODGE 4WD
6 = Lt. Duty DODGE 4WD
2 = Med. Duty DODGE 2WD
7 = Med. Duty DODGE 4WD
4 = TRUCK

BODY

01 = CHASSIS FORWARD CONTROL W.B.1
02 = CAB CHASSIS WHEEL BASE 2
06 = CAB CHASSIS WHEEL BASE 6
11 = VAN WHEEL BASE 1
12 = VAN WHEEL BASE 2
51 = WAGON WHEEL BASE 1
52 = WAGON WHEEL BASE 2
14 = VAN WHEEL BASE 4
15 = VAN WHEEL BASE 5
54 = WAGON WHEEL BASE 4
55 = WAGON WHEEL BASE 5
56 = WAGON WHEEL BASE 6
16 = VAN WHEEL BASE 6

ENGINE

EX8 = 2.7L I5 Turbo Diesel Engine
EX9 = 2.7L I5 Mercedes-Benz TD Engine

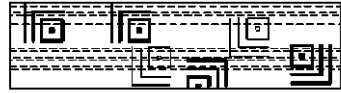
TRANSMISSION

DGJ = 5-Speed Automatic MB Transmission
DGZ = 4-Spd. Automatic MT643 Transmission

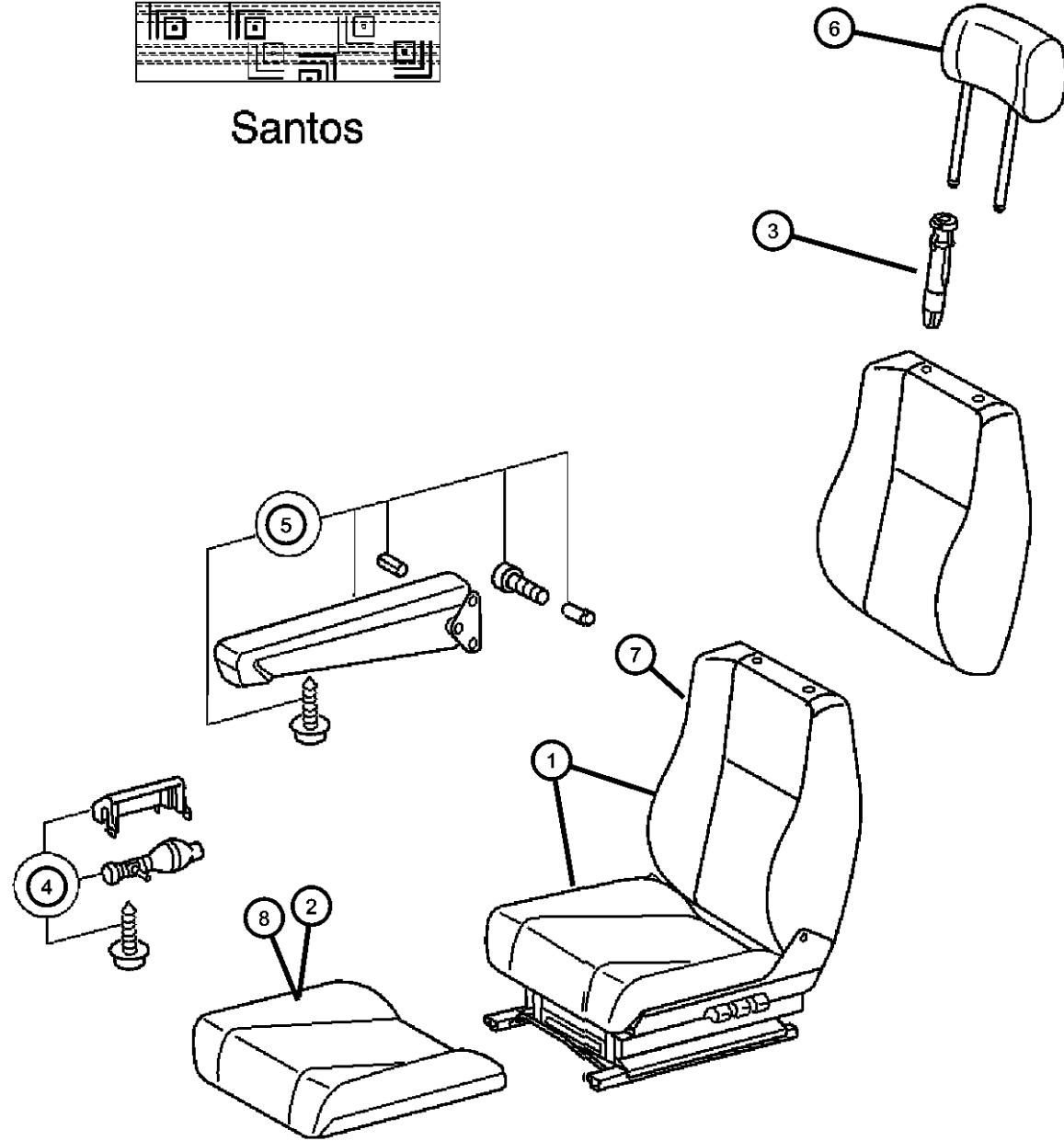
AR = use ase required - = Non illustrated part

2006 VA

**Front Seat, Trim Code [B7], Santos
Figure IVA-515**



Santos



ITEM	PART NUMBER	QTY	LINE	SERIES	BODY	ENGINE	TRANS	TRIM	DESCRIPTION
1									SEAT COMPLETE, Front
	05127100AA	1	2, 6	L	01, 02, 06				Right
		1	3, 7	L	02, 06				Right
		1	3, 7	L	12, 15, 16				Right
	05127102AA	1	2, 6	L	01, 02, 06				Left
		1	2, 6	L	11, 12, 14, 15, 16				Left
		1	2, 6	L	11, 12, 14, 15, 16				Right
		1	2, 6	L	51, 52, 54, 55, 56				Right
	05127105AA	1	2, 6	L	01, 02, 06				Heated, Left
		1	2, 6	L	11, 12, 14, 15, 16				Heated, Left
		1	2, 6	L	51, 52, 54, 55, 56				Left
		1	3, 7	L	02, 06				Left
		1	3, 7	L	12, 15, 16				Left
	05127110AA	1	2, 6	L	11, 12, 14, 15, 16				Comfort Seat, Left
		1	2, 6	L	51, 52, 54, 55, 56				Heated, Left
		1	3, 7	L	02, 06				Heated, Left
		1	3, 7	L	12, 15, 16				Heated, Left
		1	2, 6	L	01, 02, 06				Comfort Seat, Left
		1	2, 6	L	51, 52, 54, 55, 56				Comfort Seat, Left
		1	3, 7	L	02, 06				Comfort Seat, Left
		1	3, 7	L	12, 15, 16				Comfort Seat, Left
	05127114AA	1	2, 6	L	01, 02, 06				Comfort Seat, Right
		1	2, 6	L	11, 12, 14, 15, 16				Comfort Seat, Right
		1	2, 6	L	51, 52, 54, 55, 56				Comfort Seat, Right

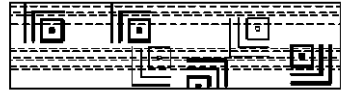
SPRINTER (VA)

SERIES	LINE	BODY	ENGINE	TRANSMISSION
L = LOWLINE	3 = HD DODGE 2WD 8 = HD DODGE 4WD 6 = Lt. Duty DODGE 4WD 2 = Med. Duty DODGE 2WD 7 = Med. Duty DODGE 4WD 4 = TRUCK	01 = CHASSIS FORWARD CONTROL W.B.1 02 = CAB CHASSIS WHEEL BASE 2 06 = CAB CHASSIS WHEEL BASE 6 11 = VAN WHEEL BASE 1 12 = VAN WHEEL BASE 2 51 = WAGON WHEEL BASE 1 52 = WAGON WHEEL BASE 2 14 = VAN WHEEL BASE 4 15 = VAN WHEEL BASE 5 54 = WAGON WHEEL BASE 4 55 = WAGON WHEEL BASE 5 56 = WAGON WHEEL BASE 6 16 = VAN WHEEL BASE 6	EX8 = 2.7L I5 Turbo Diesel Engine EX9 = 2.7L I5 Mercedes-Benz TD Engine	DGJ = 5-Speed Automatic MB Transmission DGZ = 4-Spd. Automatic MT643 Transmission

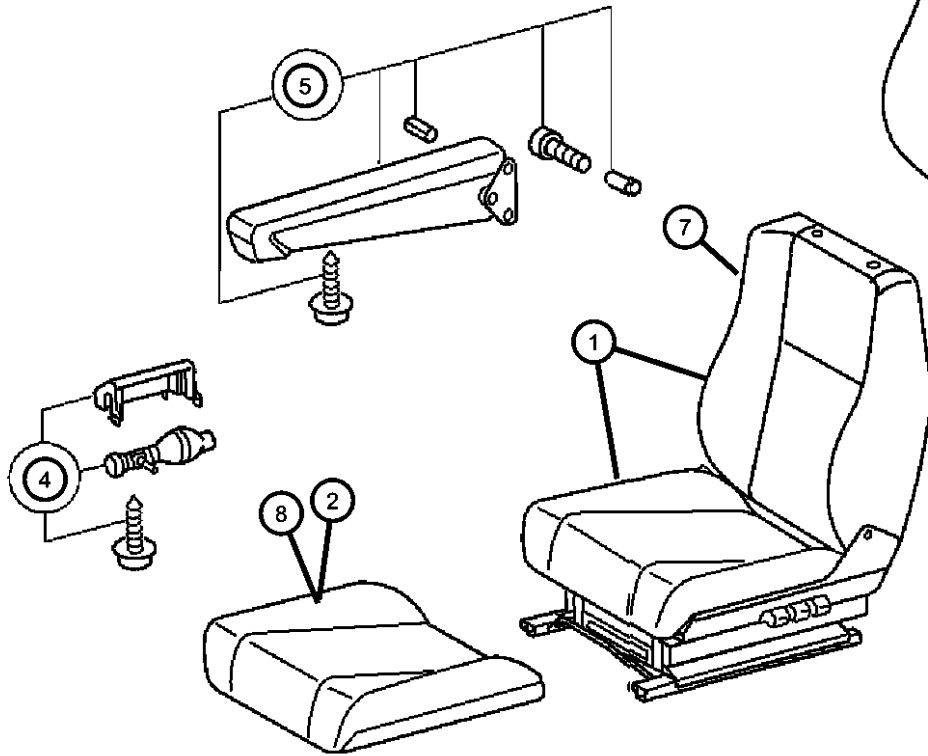
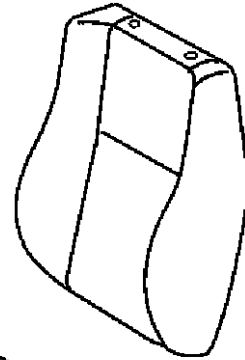
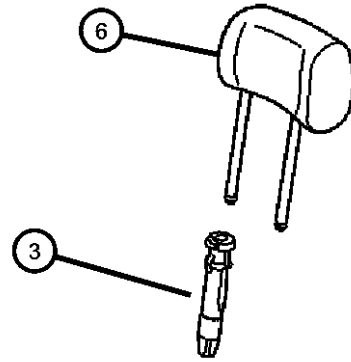
AR = use ase required - = Non illustrated part

Front Seat, Trim Code [B7], Santos
Figure IVA-515

ITEM	PART NUMBER	QTY	LINE	SERIES	BODY	ENGINE	TRANS	TRIM	DESCRIPTION
		1	3, 7	L	02, 06				Comfort Seat, Right
		1	3, 7	L	12, 15, 16				Comfort Seat, Right CUSHION, Front Seat
2	05133233AA	1	2, 6	L	01, 02, 06				
		1	2, 6	L	11, 12, 14, 15, 16				
		1	2, 6	L	51, 52, 54, 55, 56				
		1	3, 7	L	02, 06				
		1	3, 7	L	12, 15, 16				
	05133235AA	1	2, 6	L	01, 02, 06				Canada
		1	3, 7	L	02, 06				Canada
		1	3, 7	L	12, 15, 16				Canada
		1	2, 6	L	11, 12, 14, 15, 16				Canada
		1	2, 6	L	51, 52, 54, 55, 56				Canada
3	1AV08AA7AA	2	2, 6	L	01, 02, 06				*B7 SLEEVE, Headrest
		2	2, 6	L	11, 12, 14, 15, 16				*B7
		2	2, 6	L	51, 52, 54, 55, 56				*B7
		2	3, 7	L	02, 06				*B7
		2	3, 7	L	12, 15, 16				*B7
4	05127631AA	1	2, 6	L	51, 52, 54, 55, 56				PUMP, Lumbar Support
		1	3, 7	L	02, 06				
		1	3, 7	L	12, 15, 16				
		1	2, 6	L	01, 02, 06				



Santos



SPRINTER (VA)

SERIES
L = LOWLINE

LINE

3 = HD DODGE 2WD
8 = HD DODGE 4WD
6 = Lt. Duty DODGE 4WD
2 = Med. Duty DODGE 2WD
7 = Med. Duty DODGE 4WD
4 = TRUCK

BODY

01 = CHASSIS FORWARD CONTROL W.B.1
02 = CAB CHASSIS WHEEL BASE 2
06 = CAB CHASSIS WHEEL BASE 6
11 = VAN WHEEL BASE 1
12 = VAN WHEEL BASE 2
51 = WAGON WHEEL BASE 1
52 = WAGON WHEEL BASE 2
14 = VAN WHEEL BASE 4
15 = VAN WHEEL BASE 5
54 = WAGON WHEEL BASE 4
55 = WAGON WHEEL BASE 5
56 = WAGON WHEEL BASE 6
16 = VAN WHEEL BASE 6

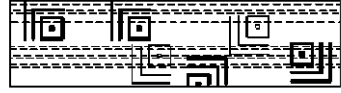
ENGINE

EX8 = 2.7L I5 Turbo Diesel Engine
EX9 = 2.7L I5 Mercedes-Benz TD Engine

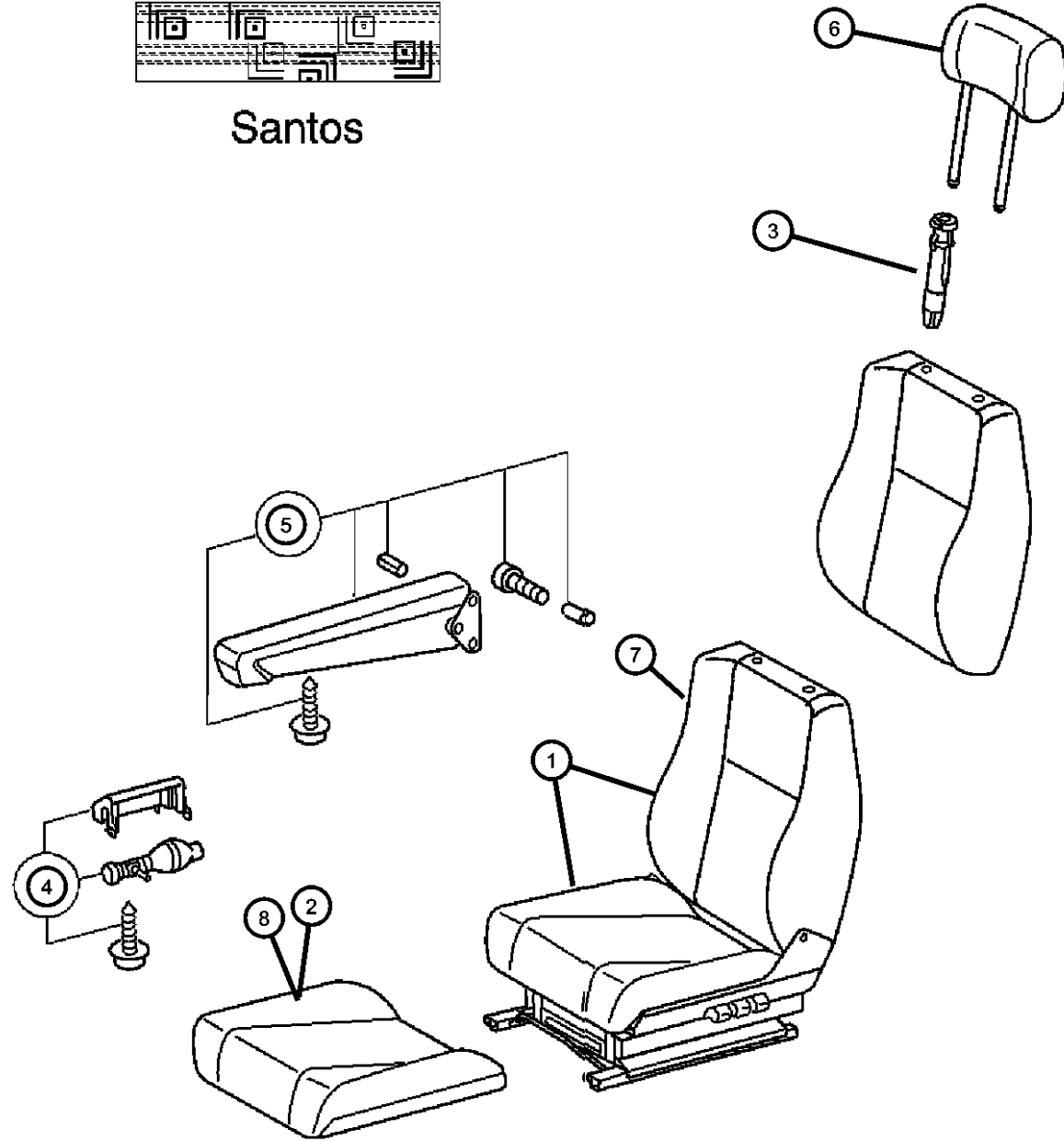
TRANSMISSION

DGJ = 5-Speed Automatic MB Transmission
DGZ = 4-Spd. Automatic MT643 Transmission

Front Seat, Trim Code [B7], Santos
Figure IVA-515



Santos



ITEM	PART NUMBER	QTY	LINE	SERIES	BODY	ENGINE	TRANS	TRIM	DESCRIPTION
5		1	2, 6	L	11, 12, 14, 15, 16				ARMREST, Seat
	05103710AA	1	2, 6	L	01, 02, 06				With Mounting Hardware, Left
		1	2, 6	L	11, 12, 14, 15, 16				With Mounting Hardware, Left
		1	2, 6	L	51, 52, 54, 55, 56				With Mounting Hardware, Left
	05103711AA	1	2, 6	L	01, 02, 06				With Mounting Hardware, Right
		1	2, 6	L	11, 12, 14, 15, 16				With Mounting Hardware, Right
		1	2, 6	L	51, 52, 54, 55, 56				With Mounting Hardware, Right
6									HEADREST
	05125377AA	1	2, 6	L	01, 02, 06				
		1	2, 6	L	11, 12, 14, 15, 16				
		1	2, 6	L	51, 52, 54, 55, 56				
		1	3, 7	L	02, 06				
		1	3, 7	L	12, 15, 16				
7									BACK, Front Seat
	05133276AA	1	3, 7	L	02, 06				Right
		1	3, 7	L	12, 15, 16				Right
		1	2, 6	L	01, 02, 06				Right
		1	2, 6	L	11, 12, 14, 15, 16				Right
		1	2, 6	L	51, 52, 54, 55, 56				Right
8									CUSHION, Front Seat, Passenger
	05133244AA	1	2, 6	L	01, 02, 06				
		1	2, 6	L	11, 12, 14, 15, 16				

SPRINTER (VA)

SERIES

L = LOWLINE
 3 = HD DODGE 2WD
 8 = HD DODGE 4WD
 6 = Lt. Duty DODGE 4WD
 2 = Med. Duty DODGE 2WD
 7 = Med. Duty DODGE 4WD
 4 = TRUCK

LINE

BODY

01 = CHASSIS FORWARD CONTROL W.B.1
 02 = CAB CHASSIS WHEEL BASE 2
 06 = CAB CHASSIS WHEEL BASE 6
 11 = VAN WHEEL BASE 1
 12 = VAN WHEEL BASE 2
 51 = WAGON WHEEL BASE 1
 52 = WAGON WHEEL BASE 2
 14 = VAN WHEEL BASE 4
 15 = VAN WHEEL BASE 5
 54 = WAGON WHEEL BASE 4
 55 = WAGON WHEEL BASE 5
 56 = WAGON WHEEL BASE 6
 16 = VAN WHEEL BASE 6

ENGINE

EX8 = 2.7L I5 Turbo Diesel Engine
 EX9 = 2.7L I5 Mercedes-Benz TD Engine

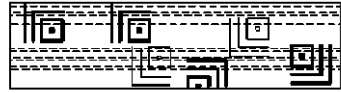
TRANSMISSION

DGJ = 5-Speed Automatic MB Transmission
 DGZ = 4-Spd. Automatic MT643 Transmission

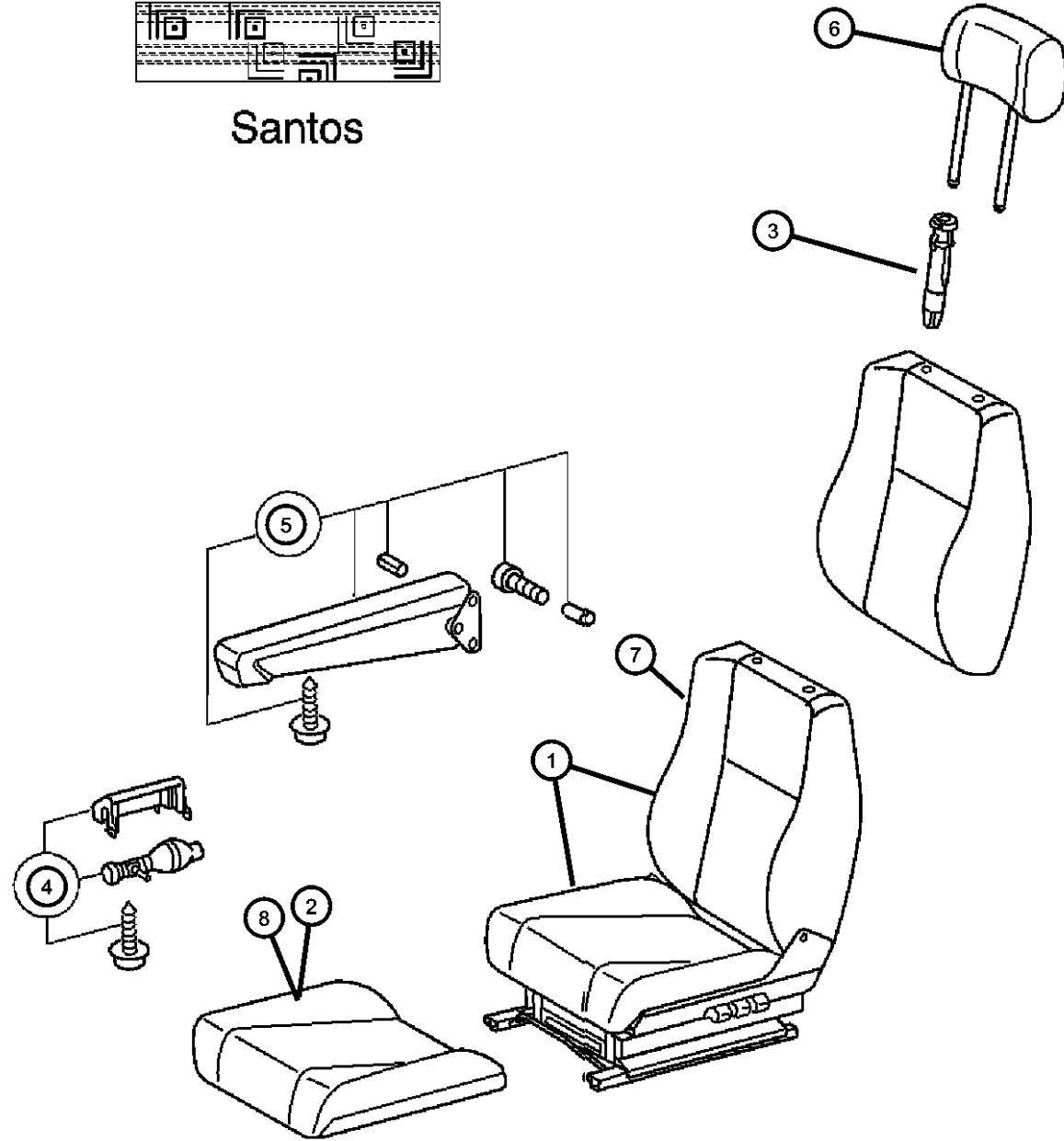
Front Seat, Trim Code [B7], Santos
Figure IVA-515

ITEM	PART NUMBER	QTY	LINE	SERIES	BODY	ENGINE	TRANS	TRIM	DESCRIPTION
------	-------------	-----	------	--------	------	--------	-------	------	-------------

		1	2, 6	L	51, 52, 54, 55, 56				
		1	3, 7	L	02, 06				
		1	3, 7	L	12, 15, 16				



Santos

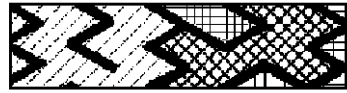


SPRINTER (VA)

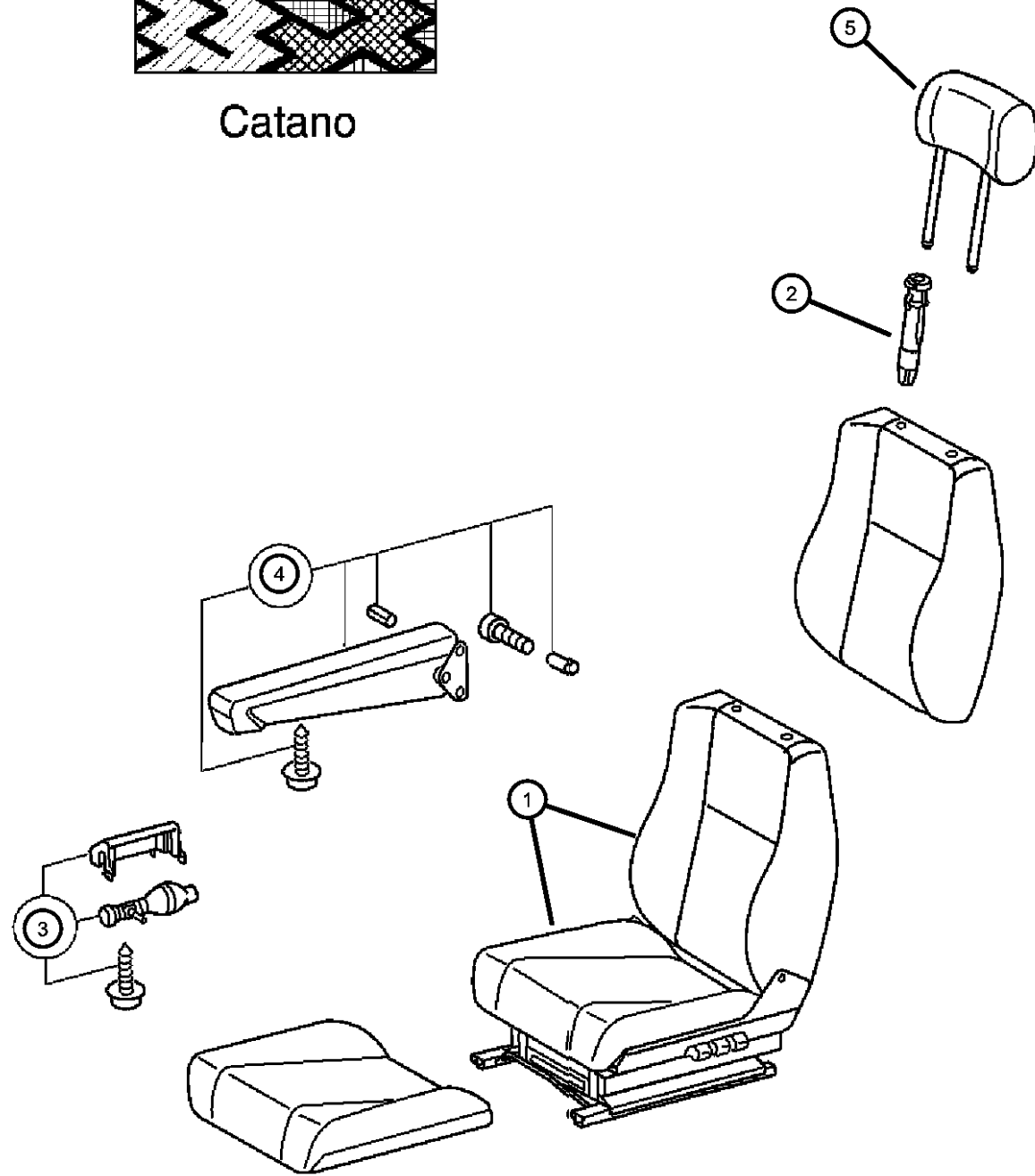
SERIES	LINE	BODY	ENGINE	TRANSMISSION
L = LOWLINE	3 = HD DODGE 2WD 8 = HD DODGE 4WD 6 = Lt. Duty DODGE 4WD 2 = Med. Duty DODGE 2WD 7 = Med. Duty DODGE 4WD 4 = TRUCK	01 = CHASSIS FORWARD CONTROL W.B.1 02 = CAB CHASSIS WHEEL BASE 2 06 = CAB CHASSIS WHEEL BASE 6 11 = VAN WHEEL BASE 1 12 = VAN WHEEL BASE 2 51 = WAGON WHEEL BASE 1 52 = WAGON WHEEL BASE 2 14 = VAN WHEEL BASE 4 15 = VAN WHEEL BASE 5 54 = WAGON WHEEL BASE 4 55 = WAGON WHEEL BASE 5 56 = WAGON WHEEL BASE 6 16 = VAN WHEEL BASE 6	EX8 = 2.7L I5 Turbo Diesel Engine EX9 = 2.7L I5 Mercedes-Benz TD Engine	DGJ = 5-Speed Automatic MB Transmission DGZ = 4-Spd. Automatic MT643 Transmission

AR = use ase required - = Non illustrated part

Front Seat - Catano
Figure IVA-520



Catano



ITEM	PART NUMBER	QTY	LINE	SERIES	BODY	ENGINE	TRANS	TRIM	DESCRIPTION
1									SEAT COMPLETE, Front
	05126994AA	1	3, 7	L	02, 06			*C7	
		1	2, 6	L	01, 02, 06			*C7	
		1	2, 6	L	11, 12, 14, 15, 16			*C7	
		1	2, 6	L	51, 52, 54, 55, 56			*C7	
		1	3, 7	L	12, 15, 16			*C7	
2									SLEEVE, Headrest
	1AV08AA7AA	2	2, 6	L	01, 02, 06			*B7	
		2	2, 6	L	11, 12, 14, 15, 16			*B7	
		2	2, 6	L	51, 52, 54, 55, 56			*C7	
		2	3, 7	L	12, 15, 16			*B7	
		2	3, 7	L	02, 06			*B7	
3									PUMP, Lumbar Support
	05127631AA	1	2, 6	L	01, 02, 06				
		1	2, 6	L	11, 12, 14, 15, 16				
		1	2, 6	L	51, 52, 54, 55, 56				
		1	3, 7	L	02, 06				
		1	3, 7	L	12, 15, 16				
4									ARMREST, Seat
	05103710AA	1	2, 6	L	01, 02, 06				Left
		1	2, 6	L	11, 12, 14, 15, 16				Left
		1	2, 6	L	51, 52, 54, 55, 56				Left
	05103711AA	1	2, 6	L	01, 02, 06				Right
		1	2, 6	L	11, 12, 14, 15, 16				Right

SPRINTER (VA)

SERIES

L = LOWLINE

LINE

3 = HD DODGE 2WD
8 = HD DODGE 4WD
6 = Lt. Duty DODGE 4WD
2 = Med. Duty DODGE 2WD
7 = Med. Duty DODGE 4WD
4 = TRUCK

BODY

01 = CHASSIS FORWARD CONTROL W.B.1
02 = CAB CHASSIS WHEEL BASE 2
06 = CAB CHASSIS WHEEL BASE 6
11 = VAN WHEEL BASE 1
12 = VAN WHEEL BASE 2
51 = WAGON WHEEL BASE 1
52 = WAGON WHEEL BASE 2
14 = VAN WHEEL BASE 4
15 = VAN WHEEL BASE 5
54 = WAGON WHEEL BASE 4
55 = WAGON WHEEL BASE 5
56 = WAGON WHEEL BASE 6
16 = VAN WHEEL BASE 6

ENGINE

EX8 = 2.7L I5 Turbo Diesel Engine
EX9 = 2.7L I5 Mercedes-Benz TD Engine

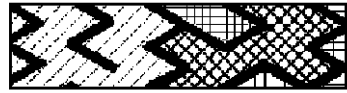
TRANSMISSION

DGJ = 5-Speed Automatic MB Transmission
DGZ = 4-Spd. Automatic MT643 Transmission

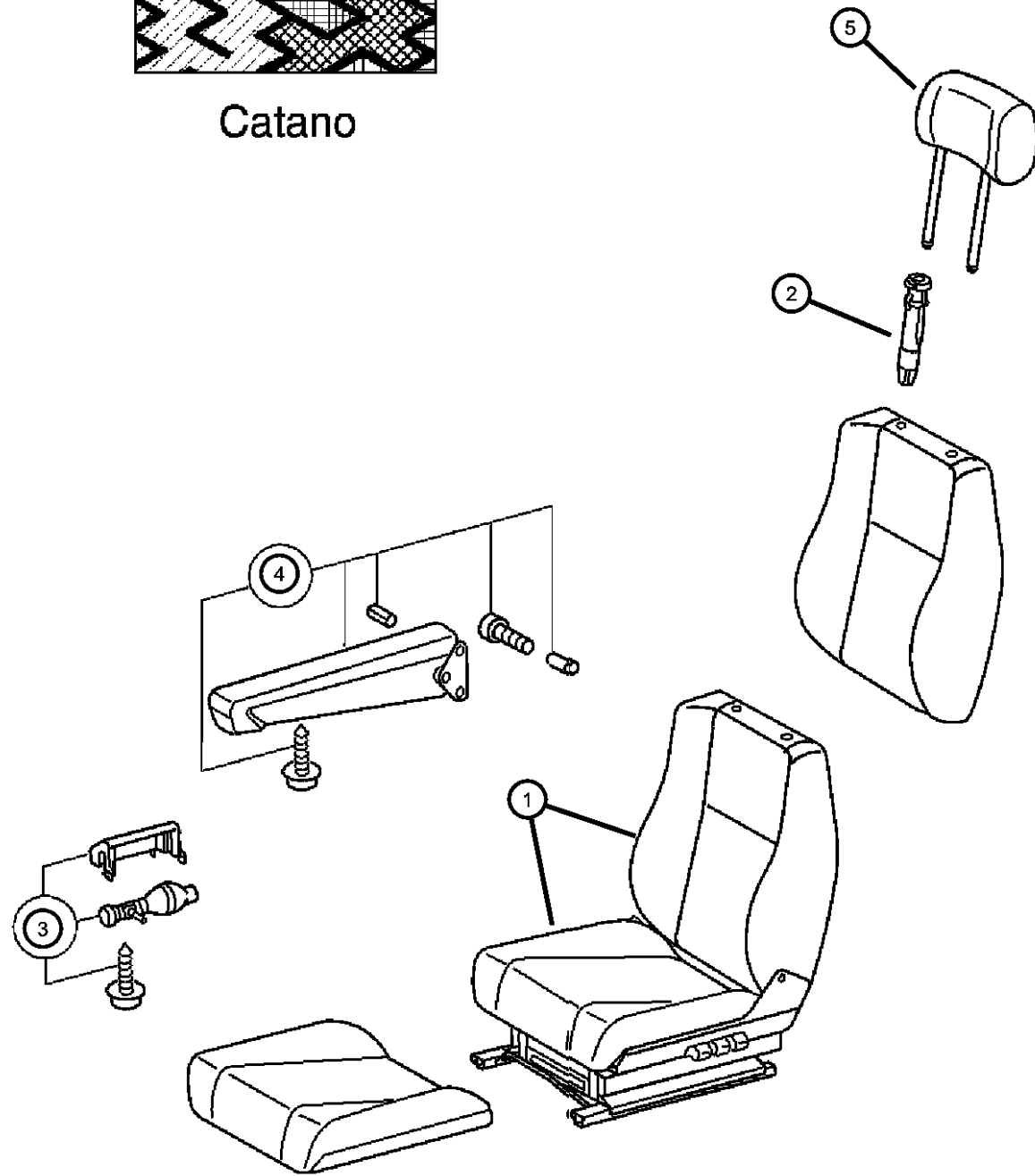
AR = use ase required - = Non illustrated part

2006 VA

Front Seat - Catano
Figure IVA-520



Catano



ITEM	PART NUMBER	QTY	LINE	SERIES	BODY	ENGINE	TRANS	TRIM	DESCRIPTION
		1	2, 6	L	51, 52, 54, 55, 56				Right
5	05104534AA	3	2, 6	L	11, 12, 14, 15, 16				HEADREST Catano
		3	3, 7	L	12, 15, 16				Catano

SPRINTER (VA)

SERIES

L = LOWLINE

LINE

3 = HD DODGE 2WD
8 = HD DODGE 4WD
6 = Lt. Duty DODGE 4WD
2 = Med. Duty DODGE 2WD
7 = Med. Duty DODGE 4WD
4 = TRUCK

BODY

01 = CHASSIS FORWARD CONTROL W.B.1
02 = CAB CHASSIS WHEEL BASE 2
06 = CAB CHASSIS WHEEL BASE 6
11 = VAN WHEEL BASE 1
12 = VAN WHEEL BASE 2
51 = WAGON WHEEL BASE 1
52 = WAGON WHEEL BASE 2
14 = VAN WHEEL BASE 4
15 = VAN WHEEL BASE 5
54 = WAGON WHEEL BASE 4
55 = WAGON WHEEL BASE 5
56 = WAGON WHEEL BASE 6
16 = VAN WHEEL BASE 6

ENGINE

EX8 = 2.7L I5 Turbo Diesel Engine
EX9 = 2.7L I5 Mercedes-Benz TD Engine

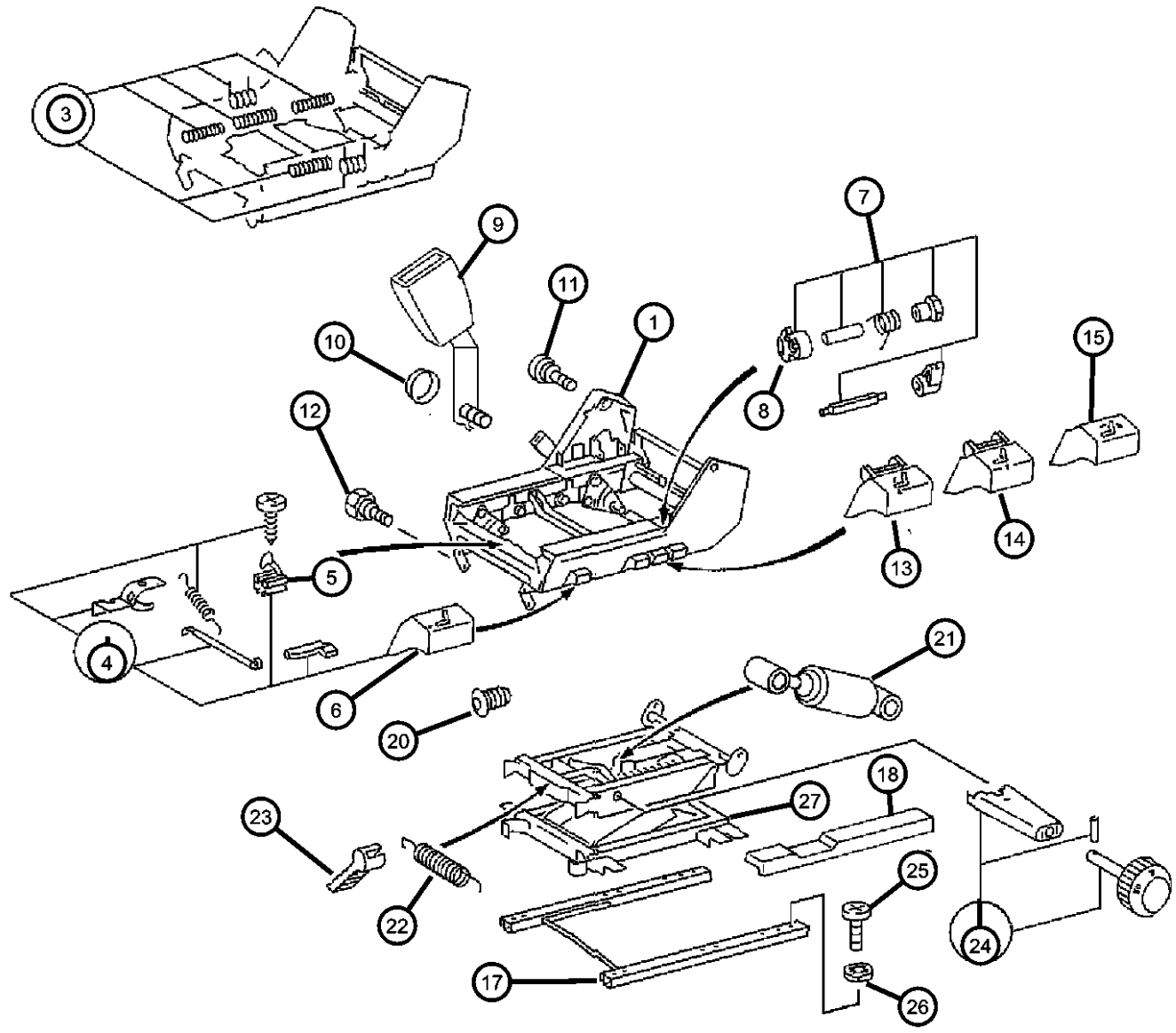
TRANSMISSION

DGJ = 5-Speed Automatic MB Transmission
DGZ = 4-Spd. Automatic MT643 Transmission

AR = use ase required - = Non illustrated part

2006 VA

Front Seat - Attaching Parts
Figure IVA-525



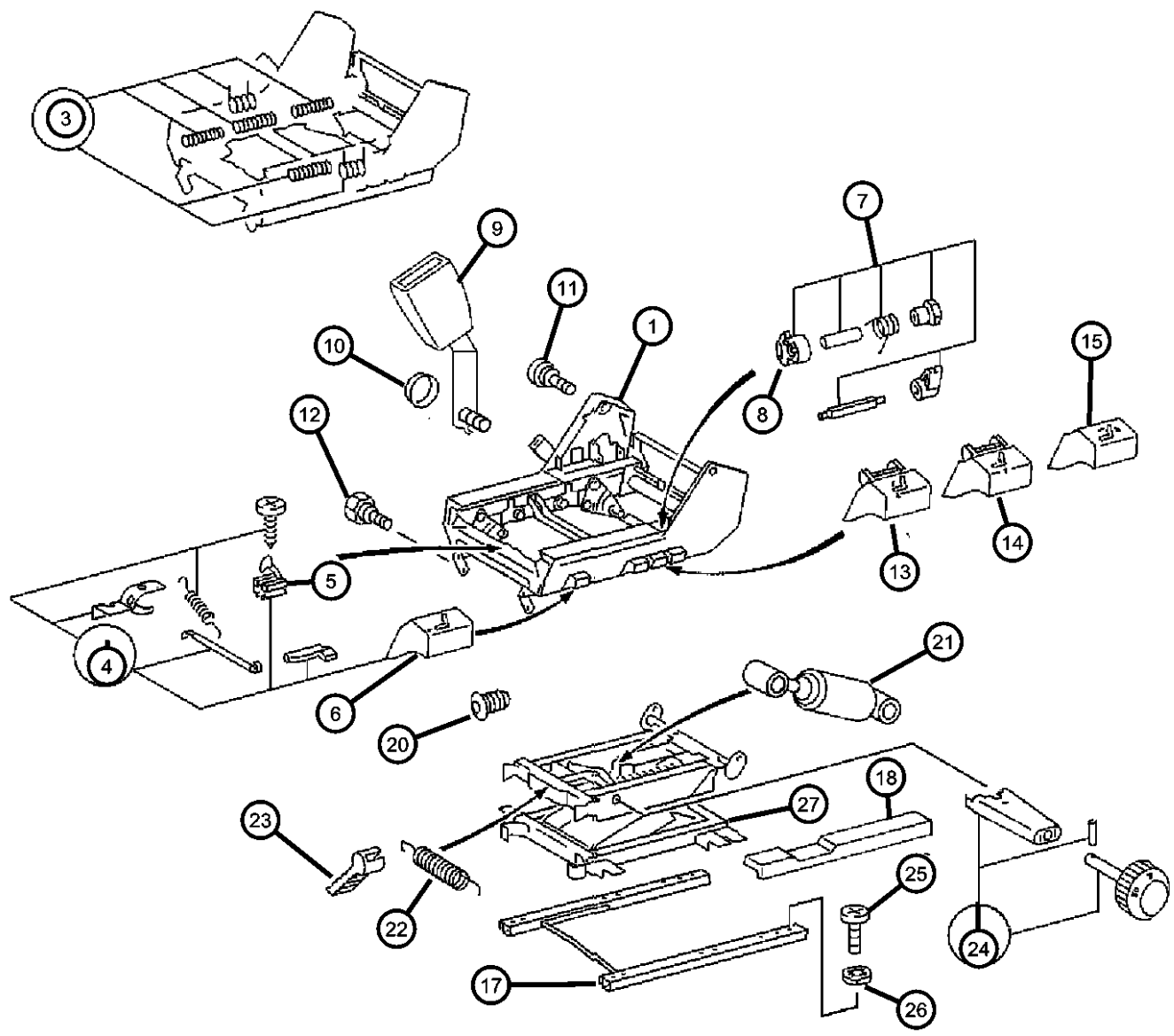
ITEM	PART NUMBER	QTY	LINE	SERIES	BODY	ENGINE	TRANS	TRIM	DESCRIPTION
1									ADJUSTER, Seat
	05103703AA	1	2, 6	L	01, 02, 06				Driver
		1	2, 6	L	11, 12, 14, 15, 16				Driver
		1	2, 6	L	51, 52, 54, 55, 56				Driver
		1	3, 7	L	02, 06				Driver
		1	3, 7	L	12, 15, 16				Driver
	05133211AA	1	2, 6	L	01, 02, 06				[CDD], Luxury Bucket, Driver
		1	2, 6	L	11, 12, 14, 15, 16				[CDD], Luxury Bucket, Driver
		1	2, 6	L	51, 52, 54, 55, 56				[CDD], Luxury Bucket, Driver
		1	3, 7	L	02, 06				[CDD], Luxury Bucket, Driver
	05133264AA	1	3, 7	L	02, 06				[CDY], Luxury Bucket, Passenger
		1	3, 7	L	12, 15, 16				[CDY], Luxury Bucket, Passenger
	05133266AA	1	2, 6	L	01, 02, 06				
		1	2, 6	L	11, 12, 14, 15, 16				
		1	2, 6	L	51, 52, 54, 55, 56				
		1	3, 7	L	02, 06				
		1	3, 7	L	12, 15, 16				
		1	3, 7	L	12, 15, 16				[CDD], Luxury Bucket, Driver
		1	2, 6	L	01, 02, 06				[CDY], Luxury Bucket, Passenger
		1	2, 6	L	11, 12, 14, 15, 16				[CDY], Luxury Bucket, Passenger
		1	2, 6	L	51, 52, 54, 55, 56				[CDY], Luxury Bucket, Passenger
-2									HARDWARE KIT
	05138940AA	1	2, 6	L	01, 02, 06				Adjuster Repair Kit

SPRINTER (VA)

SERIES	LINE	BODY	ENGINE	TRANSMISSION
L = LOWLINE	3 = HD DODGE 2WD 8 = HD DODGE 4WD 6 = Lt. Duty DODGE 4WD 2 = Med. Duty DODGE 2WD 7 = Med. Duty DODGE 4WD 4 = TRUCK	01 = CHASSIS FORWARD CONTROL W.B.1 02 = CAB CHASSIS WHEEL BASE 2 06 = CAB CHASSIS WHEEL BASE 6 11 = VAN WHEEL BASE 1 12 = VAN WHEEL BASE 2 51 = WAGON WHEEL BASE 1 52 = WAGON WHEEL BASE 2 14 = VAN WHEEL BASE 4 15 = VAN WHEEL BASE 5 54 = WAGON WHEEL BASE 4 55 = WAGON WHEEL BASE 5 56 = WAGON WHEEL BASE 6 16 = VAN WHEEL BASE 6	EX8 = 2.7L I5 Turbo Diesel Engine EX9 = 2.7L I5 Mercedes-Benz TD Engine	DGJ = 5-Speed Automatic MB Transmission DGZ = 4-Spd. Automatic MT643 Transmission

AR = use ase required - = Non illustrated part

Front Seat - Attaching Parts
Figure IVA-525



ITEM	PART NUMBER	QTY	LINE	SERIES	BODY	ENGINE	TRANS	TRIM	DESCRIPTION
		1	2, 6	L	11, 12, 14, 15, 16				Adjuster Repair Kit
		1	2, 6	L	51, 52, 54, 55, 56				Adjuster Repair Kit
		1	3, 7	L	12, 15, 16				Adjuster Repair Kit
		1	3, 7	L	02, 06				Adjuster Repair Kit
3									SPRING, Seat Track Adjuster
	05133214AA	1	2, 6	L	01, 02, 06				
		1	2, 6	L	11, 12, 14, 15, 16				
		1	2, 6	L	51, 52, 54, 55, 56				
		1	3, 7	L	02, 06				
		1	3, 7	L	12, 15, 16				
4									HANDLE, Seat Adjuster
	05133216AA	1	2, 6	L	11, 12, 14, 15, 16				Seat Cushion Depth, Driver Side
		1	2, 6	L	51, 52, 54, 55, 56				Seat Cushion Depth, Driver Side
		1	3, 7	L	02, 06				Seat Cushion Depth, Driver Side
		1	3, 7	L	12, 15, 16				Seat Cushion Depth, Driver Side
		1	2, 6	L	01, 02, 06				Seat Cushion Depth, Driver Side
5									LOCK, Adjuster
	05133215AA	1	2, 6	L	01, 02, 06				
		1	2, 6	L	11, 12, 14, 15, 16				
		1	2, 6	L	51, 52, 54, 55, 56				
		1	3, 7	L	02, 06				
		1	3, 7	L	12, 15, 16				
6									HANDLE, Seat Adjuster
	05133267AA	1	2, 6	L	01, 02, 06				Passenger Side

SPRINTER (VA)
SERIES
 L = LOWLINE

LINE
 3 = HD DODGE 2WD
 8 = HD DODGE 4WD
 6 = Lt. Duty DODGE 4WD
 2 = Med. Duty DODGE 2WD
 7 = Med. Duty DODGE 4WD
 4 = TRUCK

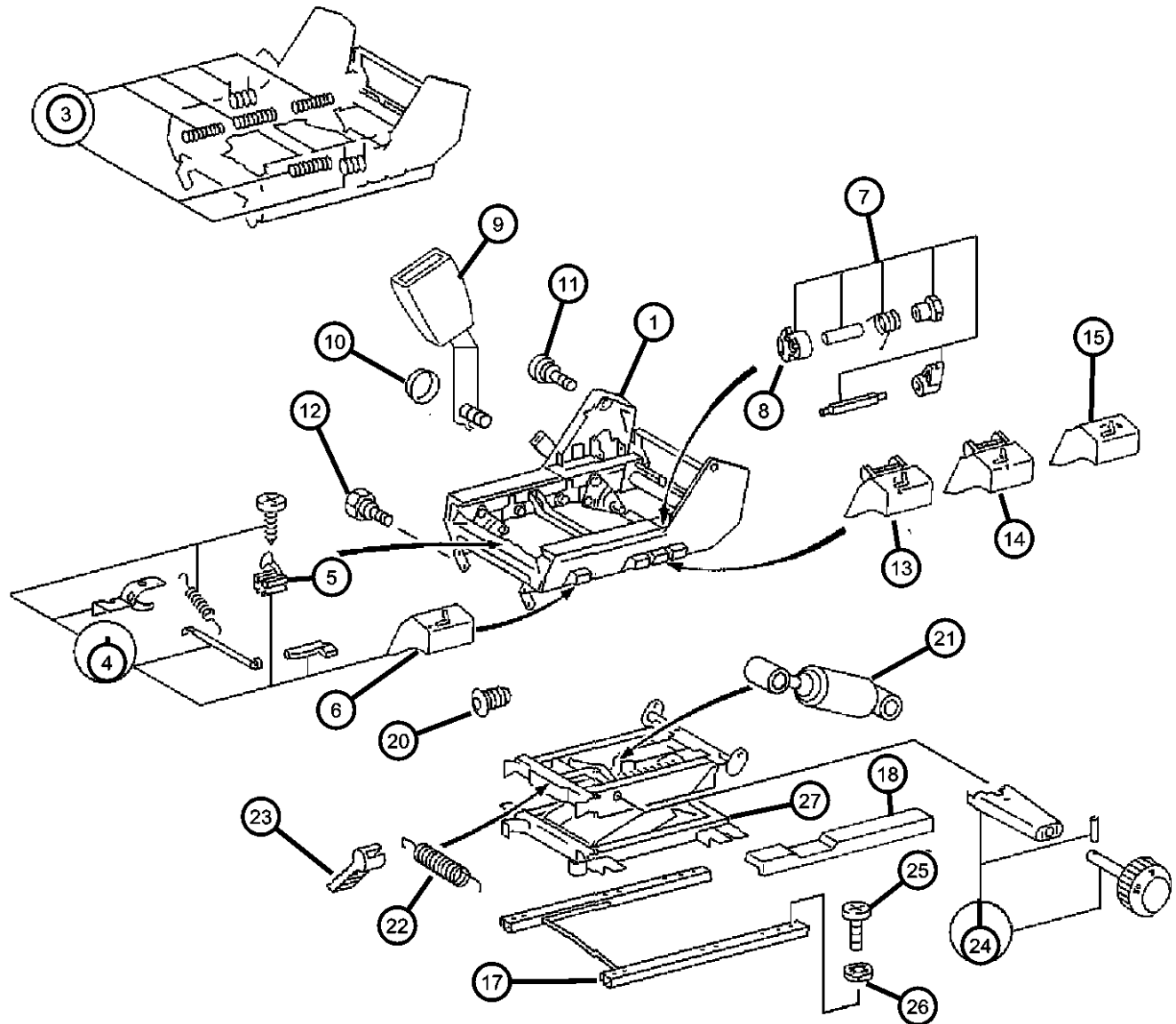
BODY
 01 = CHASSIS FORWARD CONTROL W.B.1
 02 = CAB CHASSIS WHEEL BASE 2
 06 = CAB CHASSIS WHEEL BASE 6
 11 = VAN WHEEL BASE 1
 12 = VAN WHEEL BASE 2
 51 = WAGON WHEEL BASE 1
 52 = WAGON WHEEL BASE 2
 14 = VAN WHEEL BASE 4
 15 = VAN WHEEL BASE 5
 54 = WAGON WHEEL BASE 4
 55 = WAGON WHEEL BASE 5
 56 = WAGON WHEEL BASE 6
 16 = VAN WHEEL BASE 6

ENGINE
 EX8 = 2.7L I5 Turbo Diesel Engine
 EX9 = 2.7L I5 Mercedes-Benz TD Engine

TRANSMISSION
 DGJ = 5-Speed Automatic MB Transmission
 DGZ = 4-Spd. Automatic MT643 Transmission

AR = use ase required - = Non illustrated part

Front Seat - Attaching Parts
Figure IVA-525



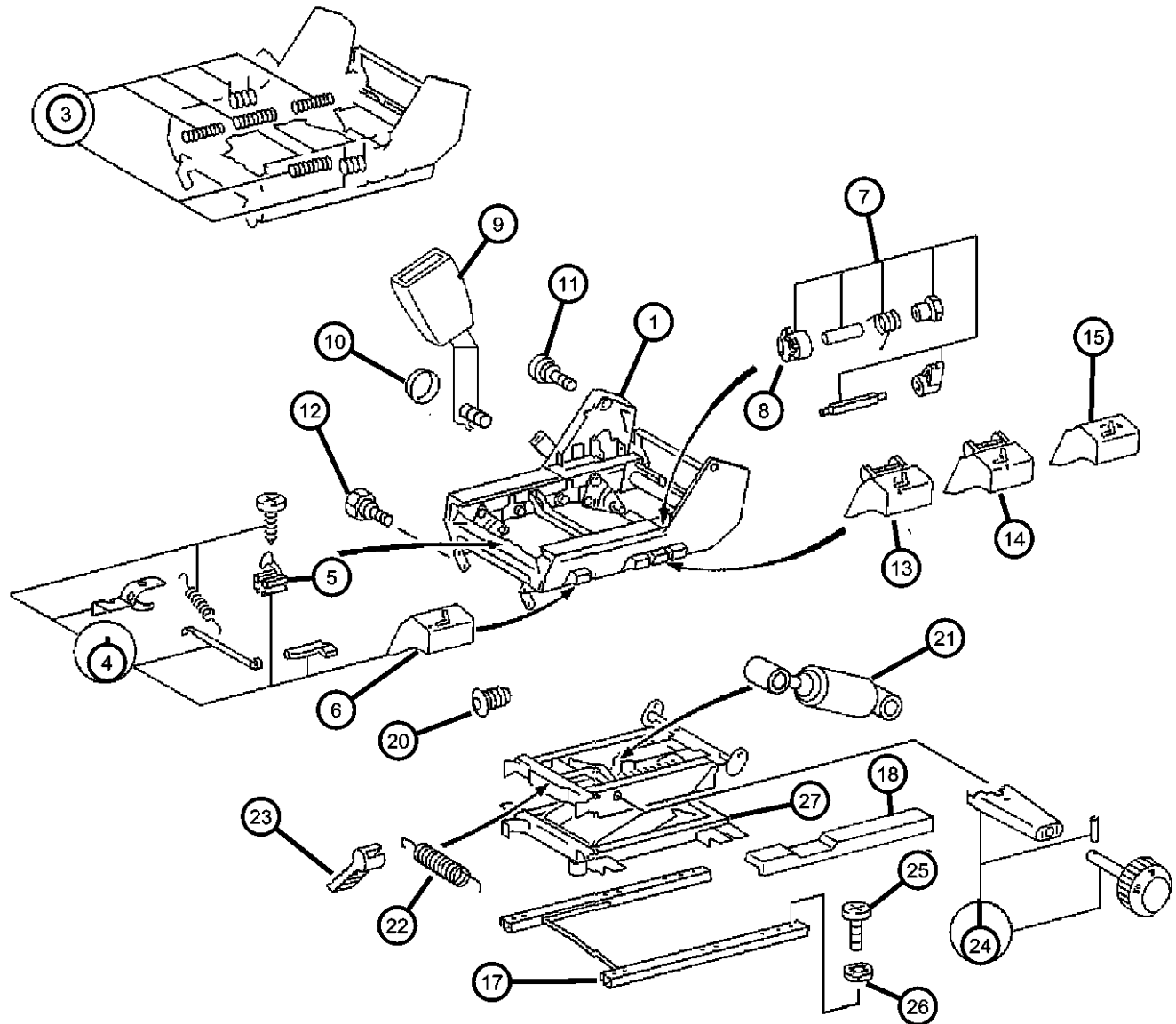
ITEM	PART NUMBER	QTY	LINE	SERIES	BODY	ENGINE	TRANS	TRIM	DESCRIPTION
		1	2, 6	L	11, 12, 14, 15, 16				Passenger Side
		1	2, 6	L	51, 52, 54, 55, 56				Passenger Side
	05133216AA	1	2, 6	L	01, 02, 06				Driver Side
		1	2, 6	L	11, 12, 14, 15, 16				
		1	2, 6	L	51, 52, 54, 55, 56				
7									HARDWARE KIT
	05133217AA	1	2, 6	L	01, 02, 06				
		1	2, 6	L	14, 15, 16, 11, 12				
		1	2, 6	L	51, 52, 54, 55, 56				
		1	3, 7	L	02, 06				
		1	3, 7	L	12, 15, 16				
8									LOCK, Adjuster
	05133269AA	1	3, 7	L	12, 15, 16				
		1	2, 6	L	01, 02, 06				
		1	2, 6	L	11, 12, 14, 15, 16				
		1	2, 6	L	51, 52, 54, 55, 56				
		1	3, 7	L	02, 06				
9		1							SEAT BELT, Front, For Part Numbers See Ill 710, (NOT SERVICED)
10									CAP, Screw Cover
	05125999AA	2	2, 6	L	01, 02, 06				
		2	2, 6	L	11, 12, 14, 15, 16				
		2	2, 6	L	54, 55, 56, 51, 52				

SPRINTER (VA)

SERIES	LINE	BODY	ENGINE	TRANSMISSION
L = LOWLINE	3 = HD DODGE 2WD 8 = HD DODGE 4WD 6 = Lt. Duty DODGE 4WD 2 = Med. Duty DODGE 2WD 7 = Med. Duty DODGE 4WD 4 = TRUCK	01 = CHASSIS FORWARD CONTROL W.B.1 02 = CAB CHASSIS WHEEL BASE 2 06 = CAB CHASSIS WHEEL BASE 6 11 = VAN WHEEL BASE 1 12 = VAN WHEEL BASE 2 51 = WAGON WHEEL BASE 1 52 = WAGON WHEEL BASE 2 14 = VAN WHEEL BASE 4 15 = VAN WHEEL BASE 5 54 = WAGON WHEEL BASE 4 55 = WAGON WHEEL BASE 5 56 = WAGON WHEEL BASE 6 16 = VAN WHEEL BASE 6	EX8 = 2.7L I5 Turbo Diesel Engine EX9 = 2.7L I5 Mercedes-Benz TD Engine	DGJ = 5-Speed Automatic MB Transmission DGZ = 4-Spd. Automatic MT643 Transmission

AR = use ase required - = Non illustrated part

Front Seat - Attaching Parts
Figure IVA-525



ITEM	PART NUMBER	QTY	LINE	SERIES	BODY	ENGINE	TRANS	TRIM	DESCRIPTION
11		2	3, 7	L	12, 15, 16				BOLT, Pivot
	05133219AA	2	2, 6	L	11, 12, 14, 15, 16				
		2	2, 6	L	51, 52, 54, 55, 56				
		2	3, 7	L	02, 06				
		2	3, 7	L	12, 15, 16				
		2	2, 6	L	01, 02, 06				
12									BOLT, Seat
	05133220AA	2	2, 6	L	01, 02, 06				
		2	2, 6	L	11, 12, 14, 15, 16				
		2	2, 6	L	51, 52, 54, 55, 56				
		2	3, 7	L	02, 06				
		2	3, 7	L	12, 15, 16				
13									HANDLE, Seat Adjuster
	0Z4N45TE4AA	1	2, 6	L	11, 12, 14, 15, 16			*B7	Raises Front of Cushion, Driver Side
		1	2, 6	L	51, 52, 54, 55, 56			*B7	Raises Front of Cushion, Driver Side
		1	3, 7	L	02, 06			*B7	Raises Front of Cushion, Driver Side
	05133216AA	1	2, 6	L	01, 02, 06				Seat Cushion Depth, Driver Side
		1	2, 6	L	11, 12, 14, 15, 16				Seat Cushion Depth, Driver Side
		1	2, 6	L	51, 52, 54, 55, 56				Seat Cushion Depth, Driver Side
		1	3, 7	L	02, 06				Seat Cushion Depth, Driver Side
		1	3, 7	L	12, 15, 16				Seat Cushion Depth, Driver Side
		1	2, 6	L	01, 02, 06			*B7	Raises Front of Cushion, Driver Side

SPRINTER (VA)
SERIES
 L = LOWLINE

LINE
 3 = HD DODGE 2WD
 8 = HD DODGE 4WD
 6 = Lt. Duty DODGE 4WD
 2 = Med. Duty DODGE 2WD
 7 = Med. Duty DODGE 4WD
 4 = TRUCK

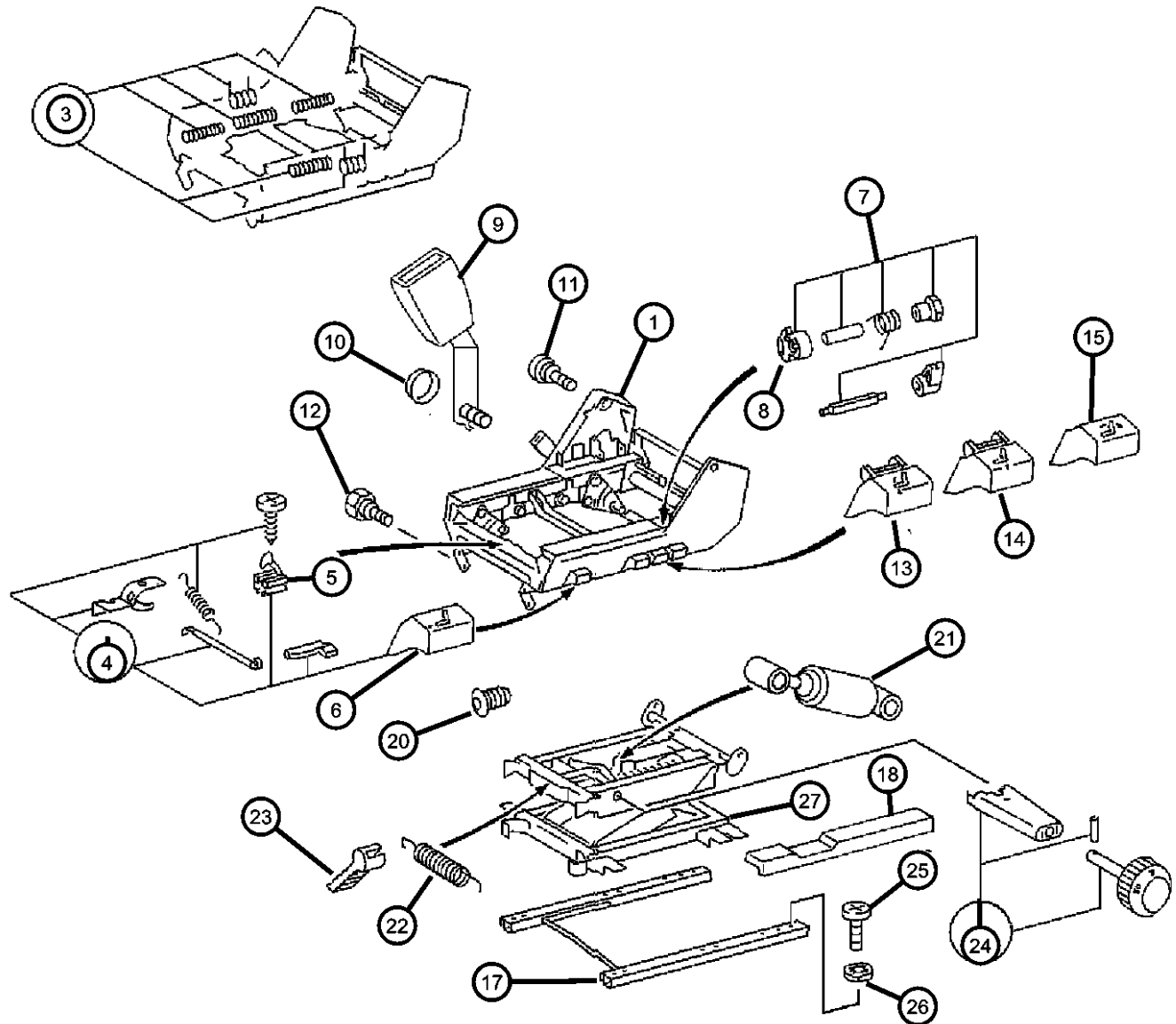
BODY
 01 = CHASSIS FORWARD CONTROL W.B.1
 02 = CAB CHASSIS WHEEL BASE 2
 06 = CAB CHASSIS WHEEL BASE 6
 11 = VAN WHEEL BASE 1
 12 = VAN WHEEL BASE 2
 51 = WAGON WHEEL BASE 1
 52 = WAGON WHEEL BASE 2
 14 = VAN WHEEL BASE 4
 15 = VAN WHEEL BASE 5
 54 = WAGON WHEEL BASE 4
 55 = WAGON WHEEL BASE 5
 56 = WAGON WHEEL BASE 6
 16 = VAN WHEEL BASE 6

ENGINE
 EX8 = 2.7L I5 Turbo Diesel Engine
 EX9 = 2.7L I5 Mercedes-Benz TD Engine

TRANSMISSION
 DGJ = 5-Speed Automatic MB Transmission
 DGZ = 4-Spd. Automatic MT643 Transmission

AR = use ase required - = Non illustrated part

Front Seat - Attaching Parts
Figure IVA-525

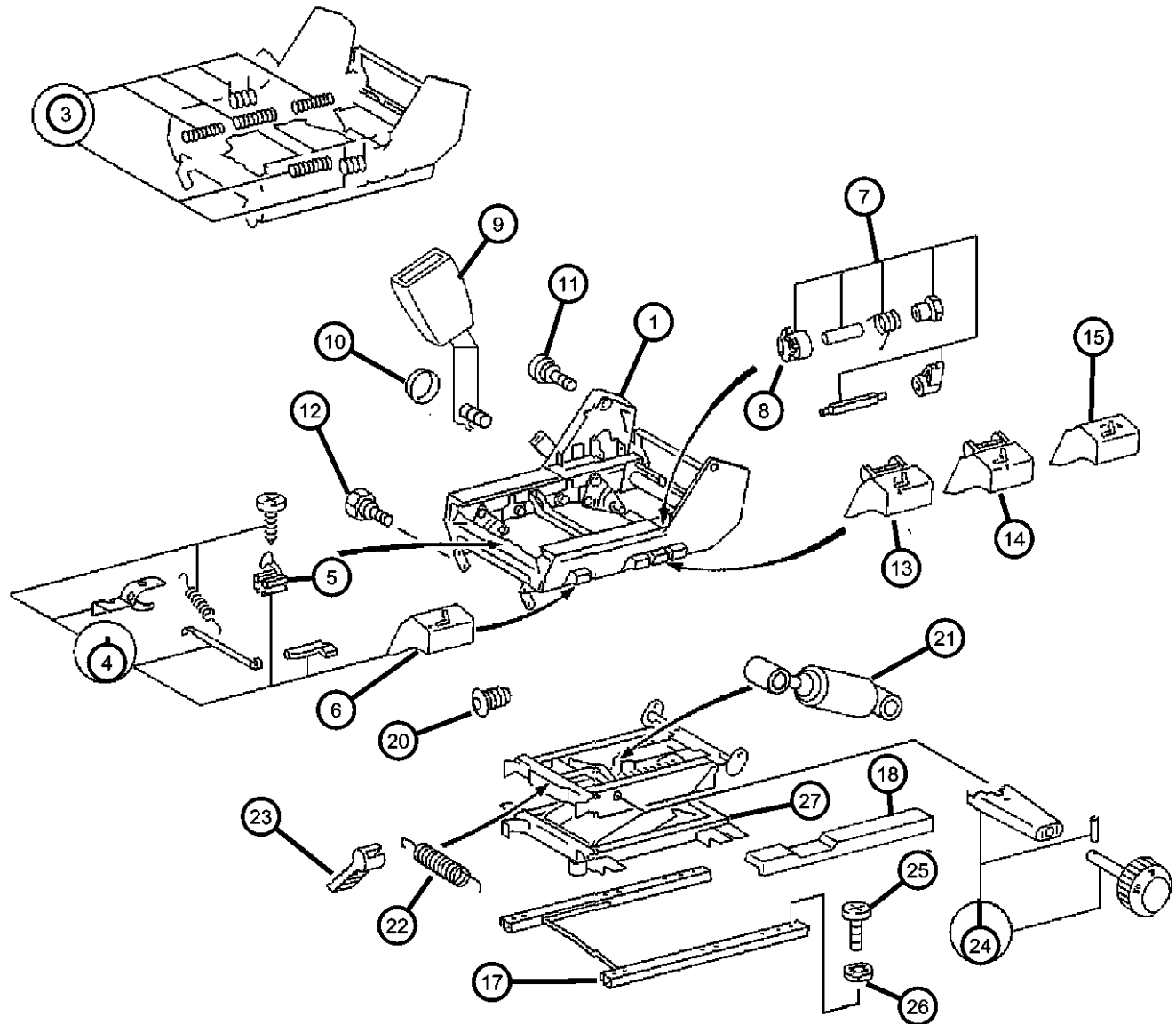


ITEM	PART NUMBER	QTY	LINE	SERIES	BODY	ENGINE	TRANS	TRIM	DESCRIPTION
		1	3, 7	L	12, 15, 16			*B7	Raises Front of Cushion, Driver Side
	0ZN49TE4AA	1	2, 6	L	01, 02, 06			*B7	Raises Front of Cushion, Passenger
		1	2, 6	L	11, 12, 14, 15, 16			*B7	Raises Front of Cushion, Passenger
		1	2, 6	L	51, 52, 54, 55, 56			*B7	Raises Front of Cushion, Passenger
		1	3, 7	L	02, 06			*B7	Raises Front of Cushion, Passenger
		1	3, 7	L	12, 15, 16			*B7	Raises Front of Cushion, Passenger
	0ZN50TE4AA	1	2, 6	L	01, 02, 06			*B7	Raises Rear of Cushion, Passenger Side
		1	2, 6	L	11, 12, 14, 15, 16			*B7	Raises Rear of Cushion, Passenger Side
		1	2, 6	L	51, 52, 54, 55, 56			*B7	Raises Rear of Cushion, Passenger Side
		1	3, 7	L	02, 06			*B7	Raises Rear of Cushion, Passenger Side
		1	3, 7	L	12, 15, 16			*B7	Raises Rear of Cushion, Passenger Side
14	05133283AA	1	3, 7	L	12, 15, 16				HANDLE, Seat Adjuster Adjuster, Front Cushion
	0ZN46TE4AA	1	2, 6	L	01, 02, 06			*B7	Raises Rear of Cushion, Passenger Side
		1	2, 6	L	11, 12, 14, 15, 16			*B7	Raises Rear of Cushion, Passenger Side
		1	2, 6	L	51, 52, 54, 55, 56			*B7	Raises Rear of Cushion, Passenger Side
		1	3, 7	L	02, 06			*B7	Raises Rear of Cushion, Passenger Side
		1	3, 7	L	12, 15, 16			*B7	Raises Rear of Cushion, Drivers Side
	0ZN50TE4AA	1	2, 6	L	01, 02, 06			*B7	Raises Rear of Cushion, Passenger Side
		1	2, 6	L	11, 12, 14, 15, 16			*B7	Raises Rear of Cushion, Passenger Side

SPRINTER (VA)
 SERIES LINE BODY ENGINE TRANSMISSION
 L = LOWLINE 3 = HD DODGE 2WD 01 = CHASSIS FORWARD CONTROL W.B.1 EX8 = 2.7L I5 Turbo Diesel DGJ = 5-Speed Automatic MB Transmission
 8 = HD DODGE 4WD 02 = CAB CHASSIS WHEEL BASE 2 EX9 = 2.7L I5 Mercedes-Benz TD Engine DGZ = 4-Spd. Automatic MT643 Transmission
 6 = Lt. Duty DODGE 4WD 06 = CAB CHASSIS WHEEL BASE 6
 2 = Med. Duty DODGE 2WD 11 = VAN WHEEL BASE 1
 7 = Med. Duty DODGE 4WD 12 = VAN WHEEL BASE 2
 4 = TRUCK 51 = WAGON WHEEL BASE 1
 52 = WAGON WHEEL BASE 2
 14 = VAN WHEEL BASE 4
 15 = VAN WHEEL BASE 5
 54 = WAGON WHEEL BASE 4
 55 = WAGON WHEEL BASE 5
 56 = WAGON WHEEL BASE 6
 16 = VAN WHEEL BASE 6

AR = use ase required - = Non illustrated part

Front Seat - Attaching Parts
Figure IVA-525



ITEM	PART NUMBER	QTY	LINE	SERIES	BODY	ENGINE	TRANS	TRIM	DESCRIPTION
		1	2, 6	L	51, 52, 54, 55, 56			*B7	Raises Rear of Cushion, Passenger Side
		1	3, 7	L	02, 06			*B7	Raises Rear of Cushion, Passenger Side
		1	3, 7	L	12, 15, 16			*B7	Raises Rear of Cushion, Passenger Side
15									HANDLE, Seat Recliner
	0ZN51TE4AA	1	2, 6	L	11, 12, 14, 15, 16			*B7	Passenger Side
		1	2, 6	L	51, 52, 54, 55, 56			*B7	Passenger Side
		1	3, 7	L	02, 06			*B7	Passenger Side
		1	3, 7	L	12, 15, 16			*B7	Passenger Side
		1	2, 6	L	01, 02, 06			*B7	Passenger Side
-16									HANDLE, Recliner
	05103778AA	1	2, 6	L	11, 12, 14, 15, 16				
		1	2, 6	L	51, 52, 54, 55, 56				
		1	3, 7	L	02, 06				
		1	3, 7	L	12, 15, 16				
		1	2, 6	L	01, 02, 06				
17									TRACK, Seat Adjuster
	05103702AA	1	2, 6	L	01, 02, 06				
		1	2, 6	L	11, 12, 14, 15, 16				
		1	2, 6	L	51, 52, 54, 55, 56				
		1	3, 7	L	02, 06				
		1	3, 7	L	12, 15, 16				
18									COVER, Seat Adjuster
	05133224AA	1	3, 7	L	02, 06				

SPRINTER (VA)
SERIES
 L = LOWLINE

LINE
 3 = HD DODGE 2WD
 8 = HD DODGE 4WD
 6 = Lt. Duty DODGE 4WD
 2 = Med. Duty DODGE 2WD
 7 = Med. Duty DODGE 4WD
 4 = TRUCK

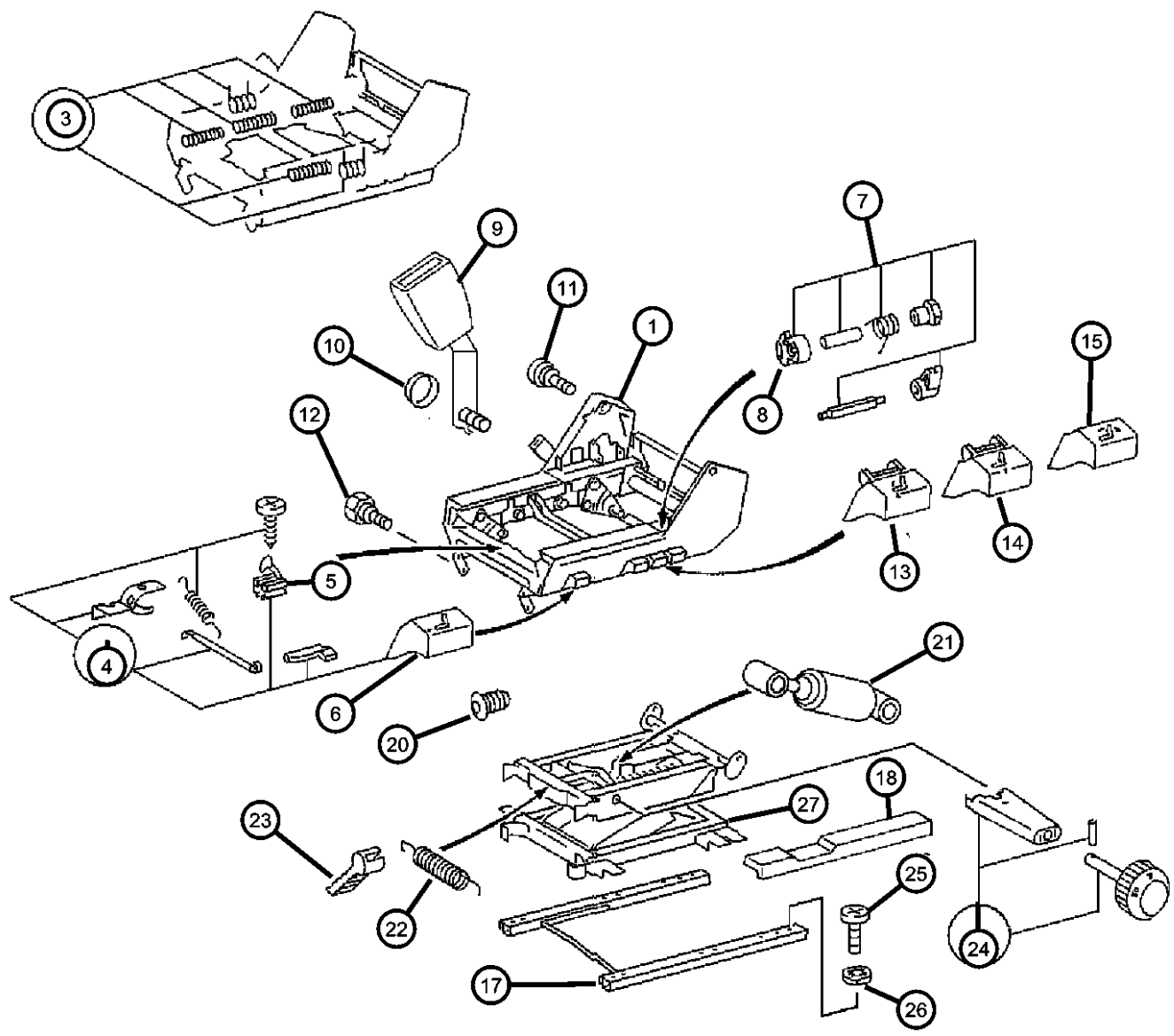
BODY
 01 = CHASSIS FORWARD CONTROL W.B.1
 02 = CAB CHASSIS WHEEL BASE 2
 06 = CAB CHASSIS WHEEL BASE 6
 11 = VAN WHEEL BASE 1
 12 = VAN WHEEL BASE 2
 51 = WAGON WHEEL BASE 1
 52 = WAGON WHEEL BASE 2
 14 = VAN WHEEL BASE 4
 15 = VAN WHEEL BASE 5
 54 = WAGON WHEEL BASE 4
 55 = WAGON WHEEL BASE 5
 56 = WAGON WHEEL BASE 6
 16 = VAN WHEEL BASE 6

ENGINE
 EX8 = 2.7L I5 Turbo Diesel Engine
 EX9 = 2.7L I5 Mercedes-Benz TD Engine

TRANSMISSION
 DGJ = 5-Speed Automatic MB Transmission
 DGZ = 4-Spd. Automatic MT643 Transmission

AR = use ase required - = Non illustrated part

Front Seat - Attaching Parts
Figure IVA-525



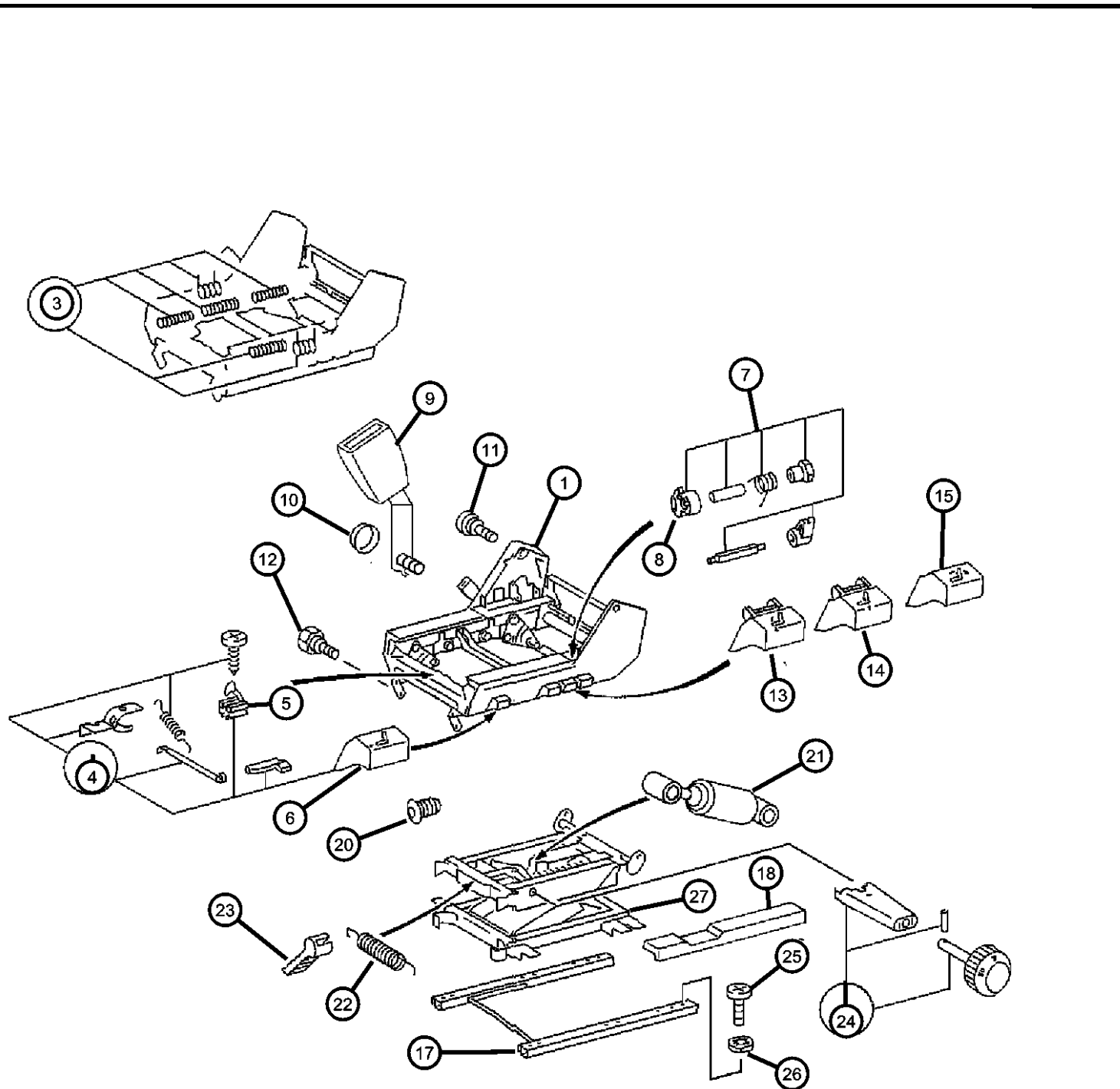
ITEM	PART NUMBER	QTY	LINE	SERIES	BODY	ENGINE	TRANS	TRIM	DESCRIPTION
		1	3, 7	L	12, 15, 16				
		1	2, 6	L	01, 02, 06				
		1	2, 6	L	11, 12, 14, 15, 16				
		1	2, 6	L	51, 52, 54, 55, 56				
-19									SHIELD, Seat Adjuster
	05133222AA	1	2, 6	L	01, 02, 06				
		1	2, 6	L	11, 12, 14, 15, 16				
		1	2, 6	L	51, 52, 54, 55, 56				
		1	3, 7	L	02, 06				
		1	3, 7	L	12, 15, 16				
20		1							PLUG, (NOT SERVICED)
21									ABSORBER
	05133483AA	1	2, 6	L	01, 02, 06				Seat Suspension
		1	2, 6	L	11, 12, 14, 15, 16				Seat Suspension
		1	2, 6	L	51, 52, 54, 55, 56				Seat Suspension
		1	3, 7	L	02, 06				Seat Suspension
		1	3, 7	L	12, 15, 16				Seat Suspension
22		1							SPRING, (NOT SERVICED),
23		1							LEVER, (NOT SERVICED)
24		1							WHEEL, Hand, (NOT SERVICED)
25									SCREW, Seat
	05126139AA	6	2, 6	L	51, 52, 54, 55, 56				
		6	2, 6	L	01, 02, 06				
		6	2, 6	L	11, 12, 14, 15, 16				

SPRINTER (VA)

SERIES	LINE	BODY	ENGINE	TRANSMISSION
L = LOWLINE	3 = HD DODGE 2WD 8 = HD DODGE 4WD 6 = Lt. Duty DODGE 4WD 2 = Med. Duty DODGE 2WD 7 = Med. Duty DODGE 4WD 4 = TRUCK	01 = CHASSIS FORWARD CONTROL W.B.1 02 = CAB CHASSIS WHEEL BASE 2 06 = CAB CHASSIS WHEEL BASE 6 11 = VAN WHEEL BASE 1 12 = VAN WHEEL BASE 2 51 = WAGON WHEEL BASE 1 52 = WAGON WHEEL BASE 2 14 = VAN WHEEL BASE 4 15 = VAN WHEEL BASE 5 54 = WAGON WHEEL BASE 4 55 = WAGON WHEEL BASE 5 56 = WAGON WHEEL BASE 6 16 = VAN WHEEL BASE 6	EX8 = 2.7L I5 Turbo Diesel Engine EX9 = 2.7L I5 Mercedes-Benz TD Engine	DGJ = 5-Speed Automatic MB Transmission DGZ = 4-Spd. Automatic MT643 Transmission

AR = use ase required - = Non illustrated part

Front Seat - Attaching Parts
Figure IVA-525



ITEM	PART NUMBER	QTY	LINE	SERIES	BODY	ENGINE	TRANS	TRIM	DESCRIPTION
		6	3, 7	L	02, 06				
		6	3, 7	L	12, 15, 16				
26	05125426AA	4	2, 6	L	11, 12, 14, 15, 16				WASHER, Locking
		4	2, 6	L	01, 02, 06				
		4	2, 6	L	51, 52, 54, 55, 56				
		4	3, 7	L	02, 06				
		4	3, 7	L	12, 15, 16				
27	05166120AA	1	2, 3, 6, 7	L					FRAME, Front Seat Cushion

SPRINTER (VA)				
SERIES	LINE	BODY	ENGINE	TRANSMISSION
L = LOWLINE	3 = HD DODGE 2WD 8 = HD DODGE 4WD 6 = Lt. Duty DODGE 4WD 2 = Med. Duty DODGE 2WD 7 = Med. Duty DODGE 4WD 4 = TRUCK	01 = CHASSIS FORWARD CONTROL W.B.1 02 = CAB CHASSIS WHEEL BASE 2 06 = CAB CHASSIS WHEEL BASE 6 11 = VAN WHEEL BASE 1 12 = VAN WHEEL BASE 2 51 = WAGON WHEEL BASE 1 52 = WAGON WHEEL BASE 2 14 = VAN WHEEL BASE 4 15 = VAN WHEEL BASE 5 54 = WAGON WHEEL BASE 4 55 = WAGON WHEEL BASE 5 56 = WAGON WHEEL BASE 6 16 = VAN WHEEL BASE 6	EX8 = 2.7L I5 Turbo Diesel Engine EX9 = 2.7L I5 Mercedes-Benz TD Engine	DGJ = 5-Speed Automatic MB Transmission DGZ = 4-Spd. Automatic MT643 Transmission

AR = use ase required - = Non illustrated part

Front Seat - Attaching Parts - Riser
Figure IVA-530

ITEM	PART NUMBER	QTY	LINE	SERIES	BODY	ENGINE	TRANS	TRIM	DESCRIPTION
1	06104574AA	3	2, 6	L	01, 02, 06				SCREW, Tapping
		3	2, 6	L	11, 12, 14, 15, 16				
		3	2, 6	L	51, 52, 54, 55, 56				
		4	3, 7	L	12, 15, 16				
2	05104234AA	1	2, 6	L	01, 02, 06				COVER
		1	2, 6	L	11, 12, 14, 15, 16				Seat Box
		1	2, 6	L	51, 52, 54, 55, 56				Seat Box
		1	3, 7	L	02, 06				Seat Box
		1	3, 7	L	12, 15, 16				Seat Box
3	05126227AA	2	2, 6	L	01, 02, 06				BOLT, Hex Head
		2	2, 6	L	11, 12, 14, 15, 16				
		2	2, 6	L	51, 52, 54, 55, 56				
		2	3, 7	L	02, 06				
		2	3, 7	L	12, 15, 16				
4	05122187AA	1	2, 6	L	11, 12, 14, 15, 16				RISER, Seat Driver
		1	2, 6	L	51, 52, 54, 55, 56				Driver
		1	3, 7	L	12, 15, 16				Driver
	05122192AA	1	2, 6	L	11, 12, 14, 15, 16				Passenger
		1	2, 6	L	51, 52, 54, 55, 56				Passenger
		1	3, 7	L	12, 15, 16				Passenger

SPRINTER (VA)

SERIES

L = LOWLINE
 3 = HD DODGE 2WD
 8 = HD DODGE 4WD
 6 = Lt. Duty DODGE 4WD
 2 = Med. Duty DODGE 2WD
 7 = Med. Duty DODGE 4WD
 4 = TRUCK

LINE

BODY

01 = CHASSIS FORWARD CONTROL W.B.1
 02 = CAB CHASSIS WHEEL BASE 2
 06 = CAB CHASSIS WHEEL BASE 6
 11 = VAN WHEEL BASE 1
 12 = VAN WHEEL BASE 2
 51 = WAGON WHEEL BASE 1
 52 = WAGON WHEEL BASE 2
 14 = VAN WHEEL BASE 4
 15 = VAN WHEEL BASE 5
 54 = WAGON WHEEL BASE 4
 55 = WAGON WHEEL BASE 5
 56 = WAGON WHEEL BASE 6
 16 = VAN WHEEL BASE 6

ENGINE

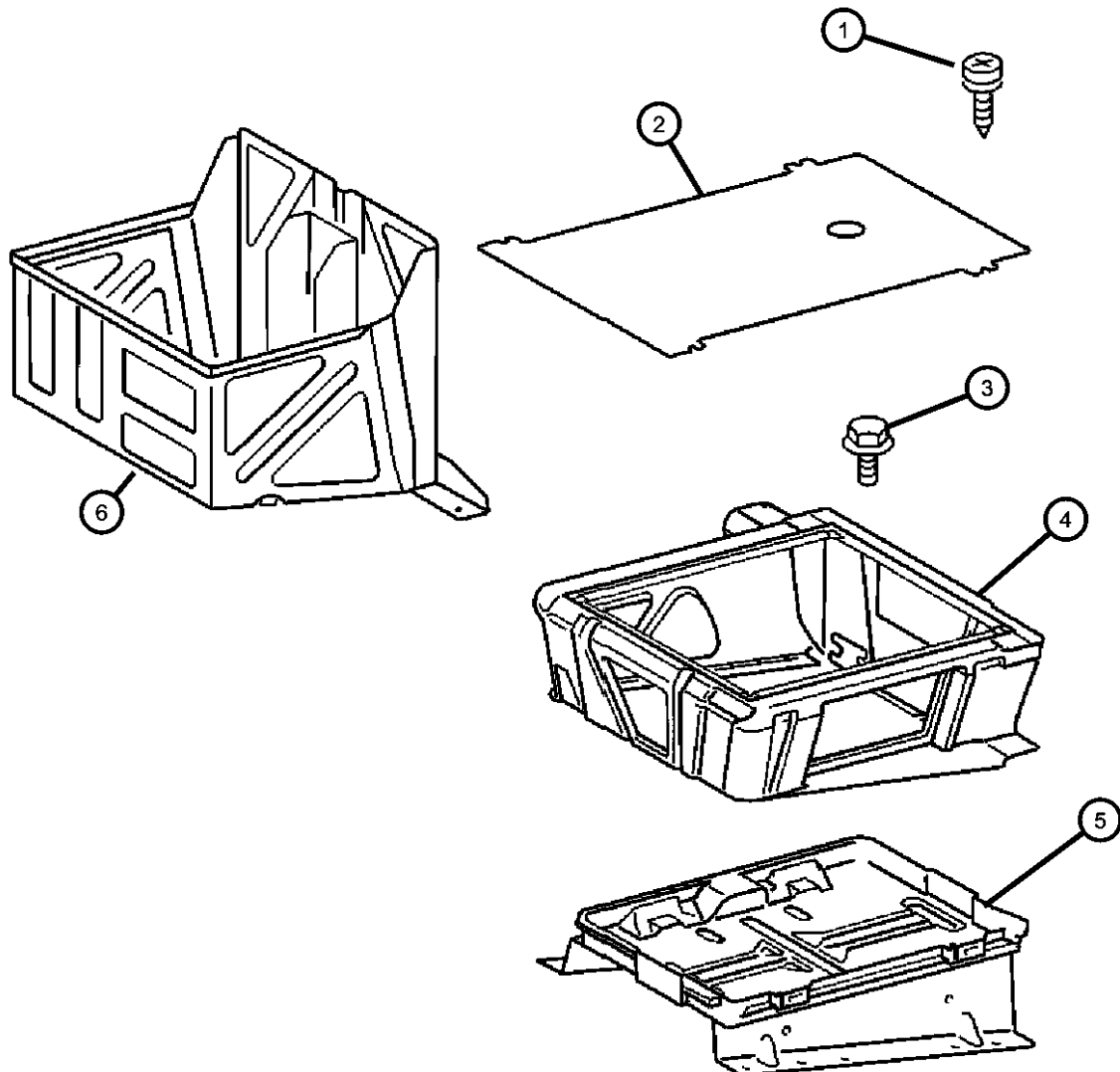
EX8 = 2.7L I5 Turbo Diesel Engine
 EX9 = 2.7L I5 Mercedes-Benz TD Engine

TRANSMISSION

DGJ = 5-Speed Automatic MB Transmission
 DGZ = 4-Spd. Automatic MT643 Transmission

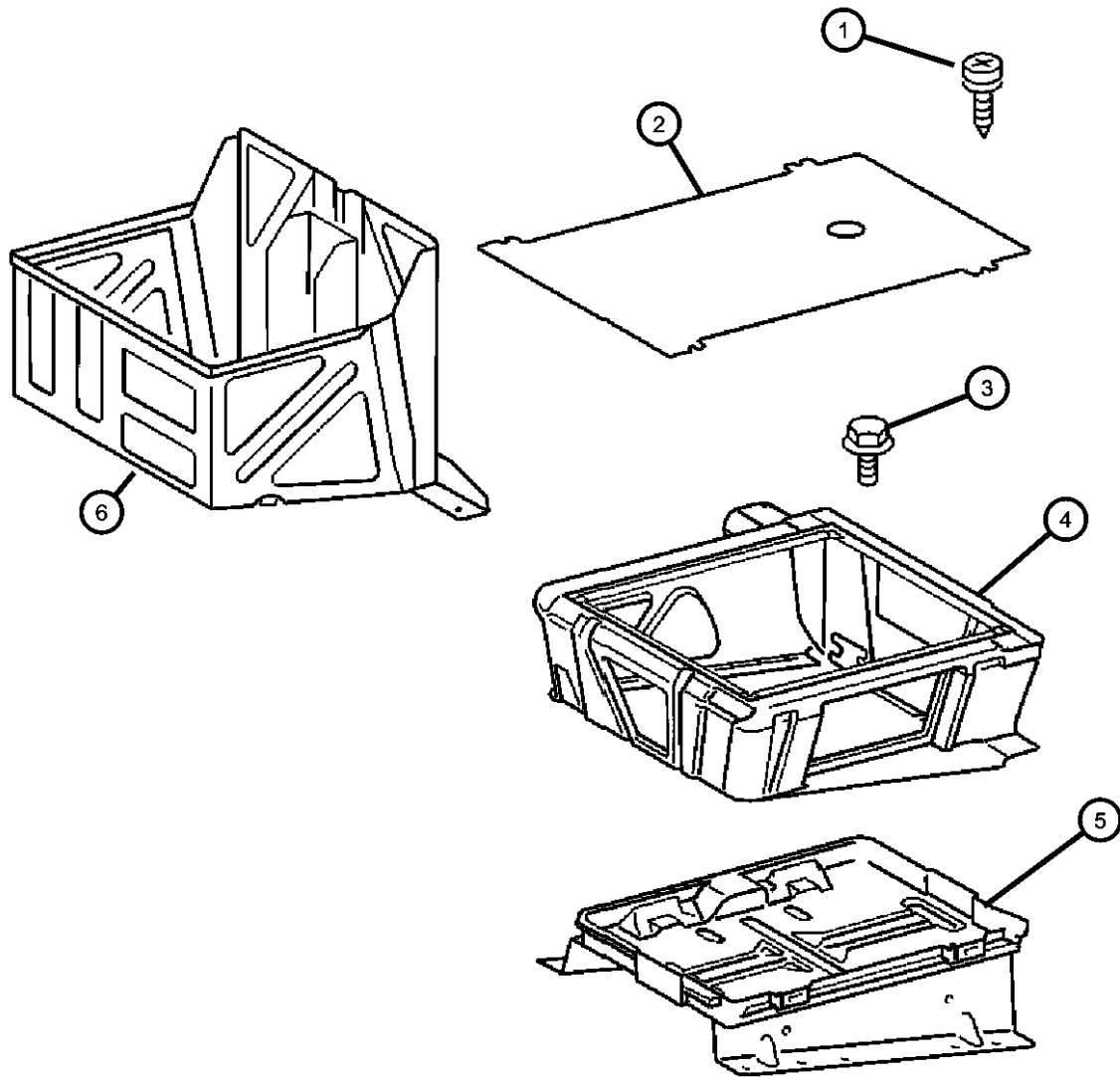
AR = use ase required - = Non illustrated part

2006 VA



Front Seat - Attaching Parts - Riser
Figure IVA-530

ITEM	PART NUMBER	QTY	LINE	SERIES	BODY	ENGINE	TRANS	TRIM	DESCRIPTION
5									TRAY, Battery
	05122170AA	1	2, 6	L	01, 02, 06				With Aux Battery [2500GVW]
	0VU01205								Repair Battery Terminal End Top Post (Ten Per Box)
	0VU01207								Repair Battery Terminal End Side Post (Ten Per Box)
		1	2, 6	L	11, 12, 14, 15, 16				With Aux Battery [2500GVW]
	0VU01205								Repair Battery Terminal End Top Post (Ten Per Box)
	0VU01207								Repair Battery Terminal End Side Post (Ten Per Box)
		1	2, 6	L	51, 52, 54, 55, 56				With Aux Battery [2500GVW]
	0VU01205								Repair Battery Terminal End Top Post (Ten Per Box)
	0VU01207								Repair Battery Terminal End Side Post (Ten Per Box)
		1	3, 7	L	02, 06				With Aux Battery [2500GVW]
	0VU01205								Repair Battery Terminal End Top Post (Ten Per Box)
	0VU01207								Repair Battery Terminal End Side Post (Ten Per Box)
		1	3, 7	L	12, 15, 16				With Aux Battery [2500GVW]
	0VU01205								Repair Battery Terminal End Top Post (Ten Per Box)
	0VU01207								Repair Battery Terminal End Side Post (Ten Per Box)
6		1							BOX, Riser, (NOT SERVICED),



SPRINTER (VA)

SERIES

L = LOWLINE
 3 = HD DODGE 2WD
 8 = HD DODGE 4WD
 6 = Lt. Duty DODGE 4WD
 2 = Med. Duty DODGE 2WD
 7 = Med. Duty DODGE 4WD
 4 = TRUCK

LINE

BODY

01 = CHASSIS FORWARD CONTROL W.B.1
 02 = CAB CHASSIS WHEEL BASE 2
 06 = CAB CHASSIS WHEEL BASE 6
 11 = VAN WHEEL BASE 1
 12 = VAN WHEEL BASE 2
 51 = WAGON WHEEL BASE 1
 52 = WAGON WHEEL BASE 2
 14 = VAN WHEEL BASE 4
 15 = VAN WHEEL BASE 5
 54 = WAGON WHEEL BASE 4
 55 = WAGON WHEEL BASE 5
 56 = WAGON WHEEL BASE 6
 16 = VAN WHEEL BASE 6

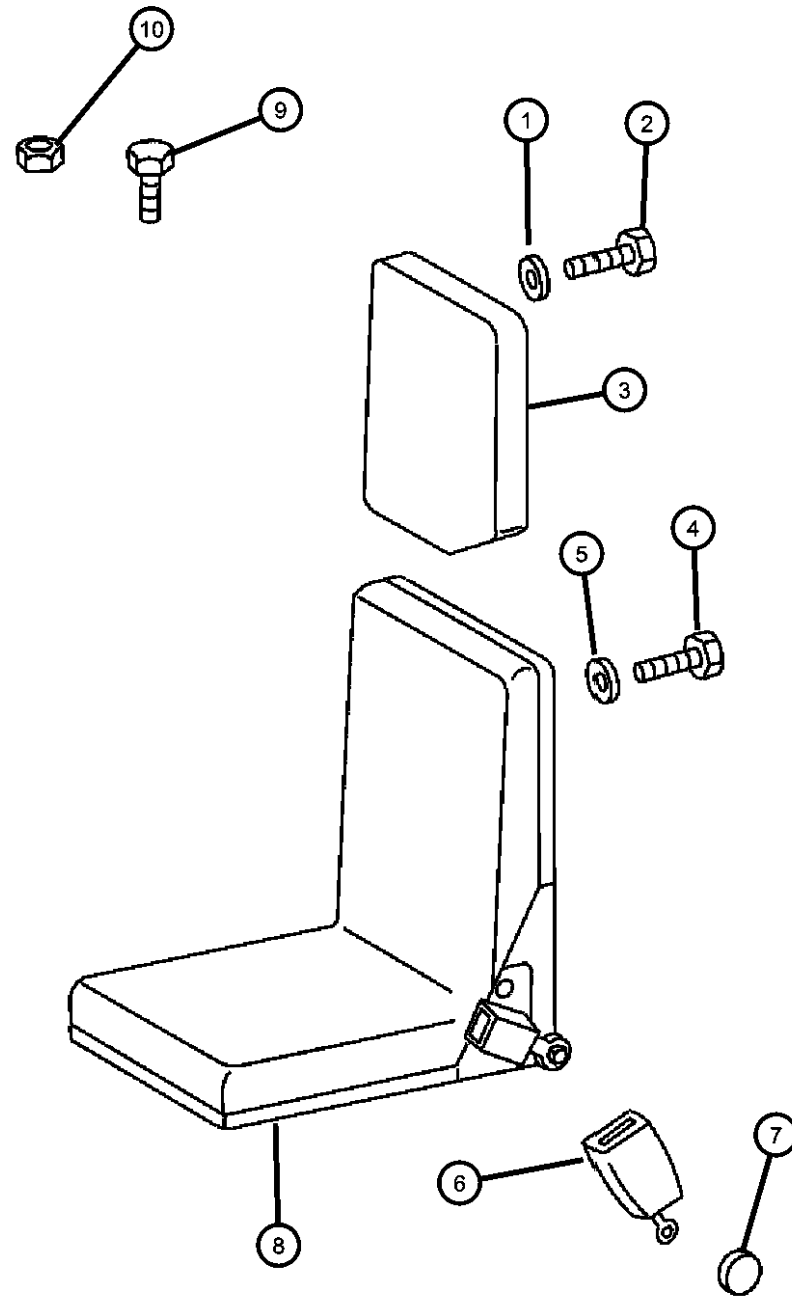
ENGINE

EX8 = 2.7L I5 Turbo Diesel Engine
 EX9 = 2.7L I5 Mercedes-Benz TD Engine

TRANSMISSION

DGJ = 5-Speed Automatic MB Transmission
 DGZ = 4-Spd. Automatic MT643 Transmission

Front Seat - Attaching Parts
Figure IVA-535



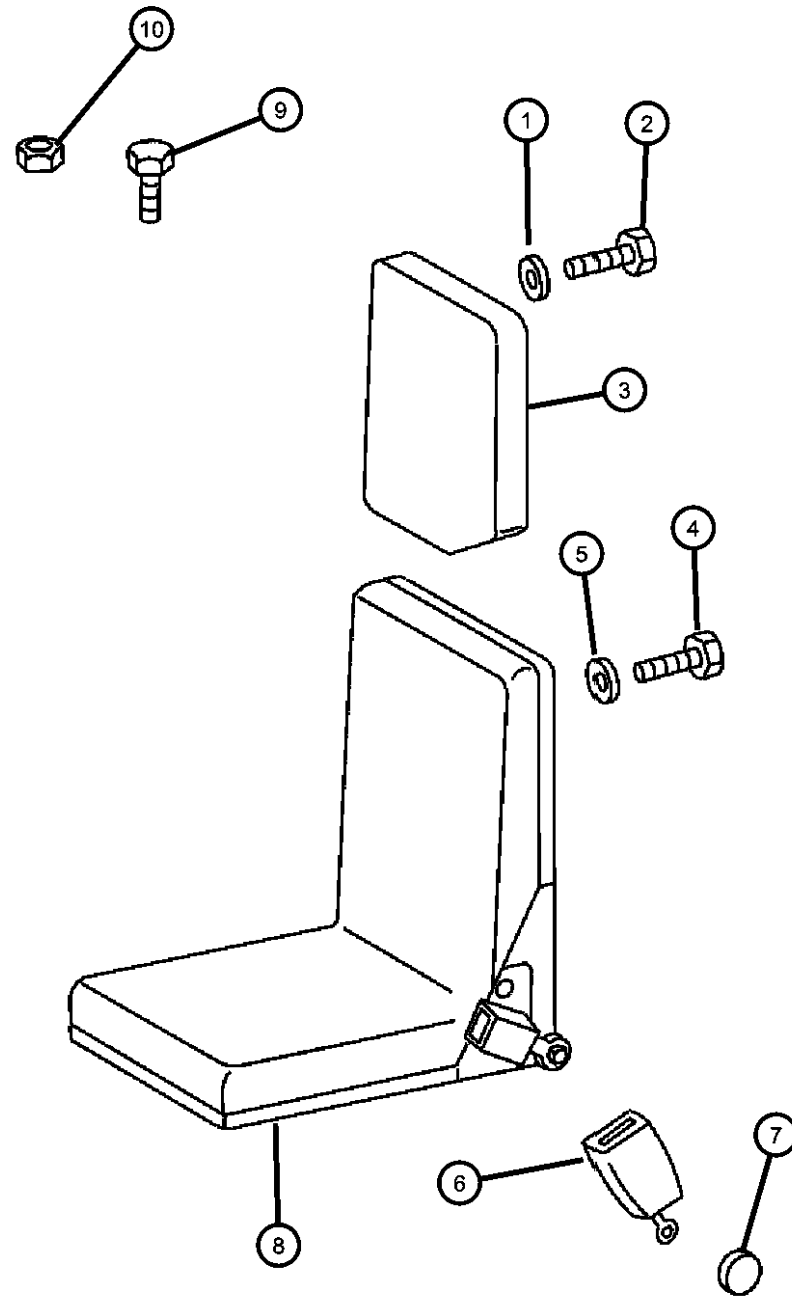
ITEM	PART NUMBER	QTY	LINE	SERIES	BODY	ENGINE	TRANS	TRIM	DESCRIPTION
1	05098108AA	1	2, 6	L	11, 12, 14, 15, 16				WASHER, Flat
		1	2, 6	L	01, 02, 06				
		1	2, 6	L	51, 52, 54, 55, 56				
		1	3, 7	L	02, 06				
		1	3, 7	L	12, 15, 16				
2	06104025AA	4	2, 6	L	11, 12, 14, 15, 16				SCREW
		4	2, 6	L	51, 52, 54, 55, 56				
		1	3, 7	L	12, 15, 16				
3	05104535AA	1	3, 7	L	12, 15, 16				HEADREST, Front
4	06104049AA	6	2, 6	L	11, 12, 14, 15, 16				BOLT
		6	2, 6	L	51, 52, 54, 55, 56				
		2	3, 7	L	12, 15, 16				
5	05104641AA	4	2, 6	L	11, 12, 14, 15, 16				WASHER, Flat
		4	2, 6	L	51, 52, 54, 55, 56				
		2	3, 7	L	02, 06				
		2	3, 7	L	12, 15, 16				
6		2							SEAT BELT, See III 710 For Part Numbers, (NOT SERVICED)
7	05125999AA	2	2, 6	L	01, 02, 06				CAP, Screw Cover
		2	2, 6	L	11, 12, 14, 15, 16				

SPRINTER (VA)

SERIES	LINE	BODY	ENGINE	TRANSMISSION
L = LOWLINE	3 = HD DODGE 2WD 8 = HD DODGE 4WD 6 = Lt. Duty DODGE 4WD 2 = Med. Duty DODGE 2WD 7 = Med. Duty DODGE 4WD 4 = TRUCK	01 = CHASSIS FORWARD CONTROL W.B.1 02 = CAB CHASSIS WHEEL BASE 2 06 = CAB CHASSIS WHEEL BASE 6 11 = VAN WHEEL BASE 1 12 = VAN WHEEL BASE 2 51 = WAGON WHEEL BASE 1 52 = WAGON WHEEL BASE 2 14 = VAN WHEEL BASE 4 15 = VAN WHEEL BASE 5 54 = WAGON WHEEL BASE 4 55 = WAGON WHEEL BASE 5 56 = WAGON WHEEL BASE 6 16 = VAN WHEEL BASE 6	EX8 = 2.7L I5 Turbo Diesel Engine EX9 = 2.7L I5 Mercedes-Benz TD Engine	DGJ = 5-Speed Automatic MB Transmission DGZ = 4-Spd. Automatic MT643 Transmission

AR = use ase required - = Non illustrated part

Front Seat - Attaching Parts
Figure IVA-535



ITEM	PART NUMBER	QTY	LINE	SERIES	BODY	ENGINE	TRANS	TRIM	DESCRIPTION
		2	2, 6	L	51, 52, 54, 55, 56				
8	05125327AA	1	3, 7	L	12, 15, 16				SEAT COMPLETE, Front
9	05103816AA	7	2, 6	L	11, 12, 14, 15				BOLT, Hex Head
		9	2, 6	L	16				
		8	2, 6	L	16				
		7	3, 7	L	12, 15				
10	06104716AA	4	3, 7	L	16				NUT
		4	2, 6	L	01, 02, 06				
		4	2, 6	L	11, 12, 14, 15, 16				
		4	2, 6	L	51, 52, 54, 55, 56				
		4	3, 7	L	12, 15, 16				

SPRINTER (VA)

SERIES

L = LOWLINE
 3 = HD DODGE 2WD
 8 = HD DODGE 4WD
 6 = Lt. Duty DODGE 4WD
 2 = Med. Duty DODGE 2WD
 7 = Med. Duty DODGE 4WD
 4 = TRUCK

LINE

BODY

01 = CHASSIS FORWARD CONTROL W.B.1
 02 = CAB CHASSIS WHEEL BASE 2
 06 = CAB CHASSIS WHEEL BASE 6
 11 = VAN WHEEL BASE 1
 12 = VAN WHEEL BASE 2
 51 = WAGON WHEEL BASE 1
 52 = WAGON WHEEL BASE 2
 14 = VAN WHEEL BASE 4
 15 = VAN WHEEL BASE 5
 54 = WAGON WHEEL BASE 4
 55 = WAGON WHEEL BASE 5
 56 = WAGON WHEEL BASE 6
 16 = VAN WHEEL BASE 6

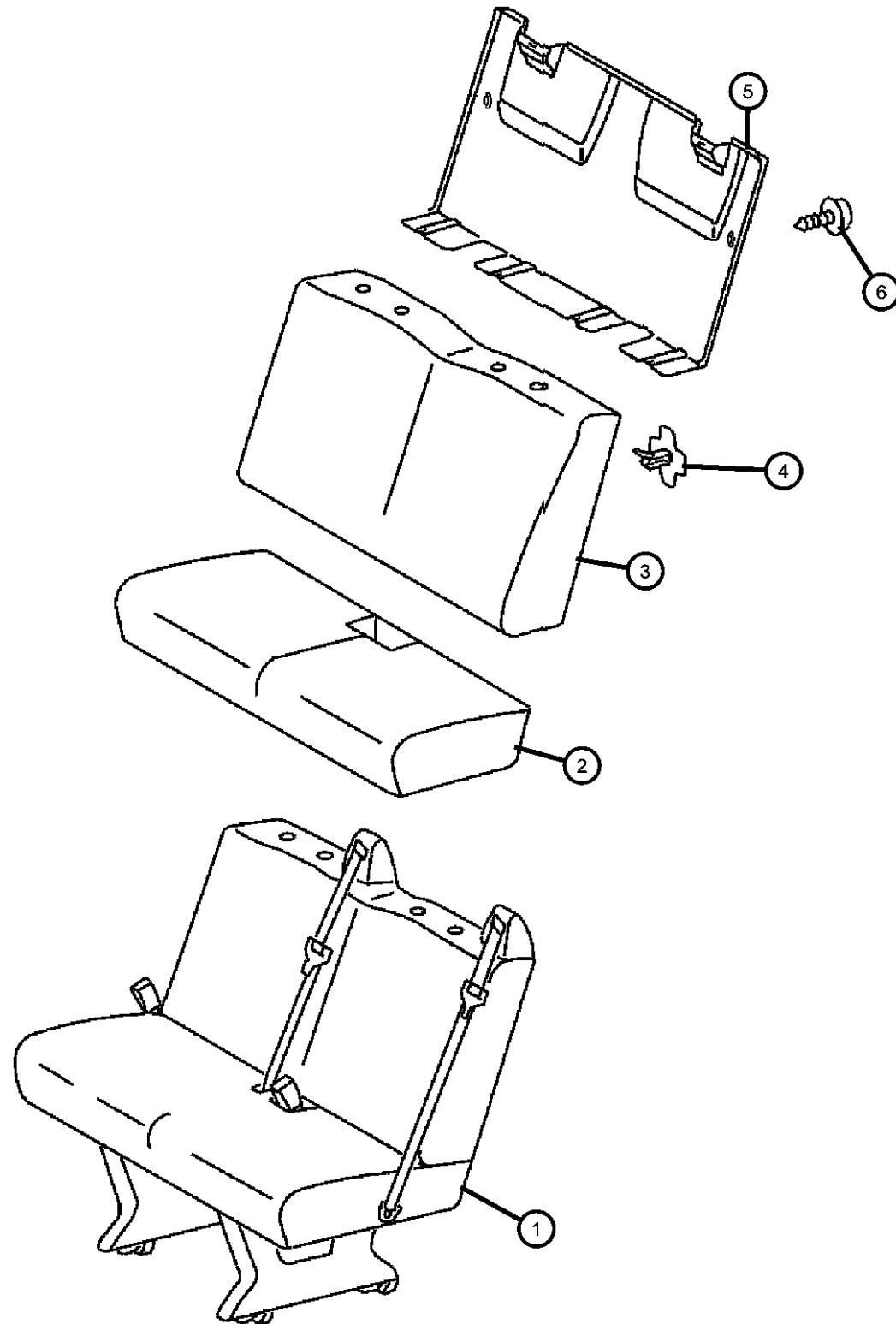
ENGINE

EX8 = 2.7L I5 Turbo Diesel Engine
 EX9 = 2.7L I5 Mercedes-Benz TD Engine

TRANSMISSION

DGJ = 5-Speed Automatic MB Transmission
 DGZ = 4-Spd. Automatic MT643 Transmission

Rear Seat - 2 Passenger
Figure IVA-610



ITEM	PART NUMBER	QTY	LINE	SERIES	BODY	ENGINE	TRANS	TRIM	DESCRIPTION
1	05133134AA	1	2, 6	L	51, 52, 54, 55, 56				SEAT COMPLETE, Rear, Two Passenger Santos
	05133138AA	1	2, 6	L	51, 52, 54, 55, 56				
2	05134085AA	1	2, 6	L	11, 12, 14, 15, 16				CUSHION, Rear Seat, Two Passenger Santos
		1	2, 6	L	51, 52, 54, 55, 56				Santos
		1	3, 7	L	12, 15, 16				Santos
	05134610AA	1	2, 6	L	11, 12, 14, 15, 16				
		1	2, 6	L	51, 52, 54, 55, 56				
		1	3, 7	L	12, 15, 16				
3	05134088AA	1	2, 6	L	11, 12, 14, 15, 16				SEAT BACK, Rear, 2 Passenger Santos
		1	2, 6	L	51, 52, 54, 55, 56				Santos
		1	7, 3	L	12, 15, 16				Santos
	05134611AA	1	2, 6	L	11, 12, 14, 15, 16				
		1	2, 6	L	51, 52, 54, 55, 56				
		1	3, 7	L	12, 15, 16				
4	05103706AA	1	2, 6	L	11, 12, 14, 15, 16				BRACKET, Rear Seatback Right
		1	2, 6	L	51, 52, 54, 55, 56				Right
		1	3, 7	L	12, 15, 16				Right

SPRINTER (VA)

SERIES

L = LOWLINE

LINE

3 = HD DODGE 2WD
8 = HD DODGE 4WD
6 = Lt. Duty DODGE 4WD
2 = Med. Duty DODGE 2WD
7 = Med. Duty DODGE 4WD
4 = TRUCK

BODY

01 = CHASSIS FORWARD CONTROL W.B.1
02 = CAB CHASSIS WHEEL BASE 2
06 = CAB CHASSIS WHEEL BASE 6
11 = VAN WHEEL BASE 1
12 = VAN WHEEL BASE 2
51 = WAGON WHEEL BASE 1
52 = WAGON WHEEL BASE 2
14 = VAN WHEEL BASE 4
15 = VAN WHEEL BASE 5
54 = WAGON WHEEL BASE 4
55 = WAGON WHEEL BASE 5
56 = WAGON WHEEL BASE 6
16 = VAN WHEEL BASE 6

ENGINE

EX8 = 2.7L I5 Turbo Diesel Engine
EX9 = 2.7L I5 Mercedes-Benz TD Engine

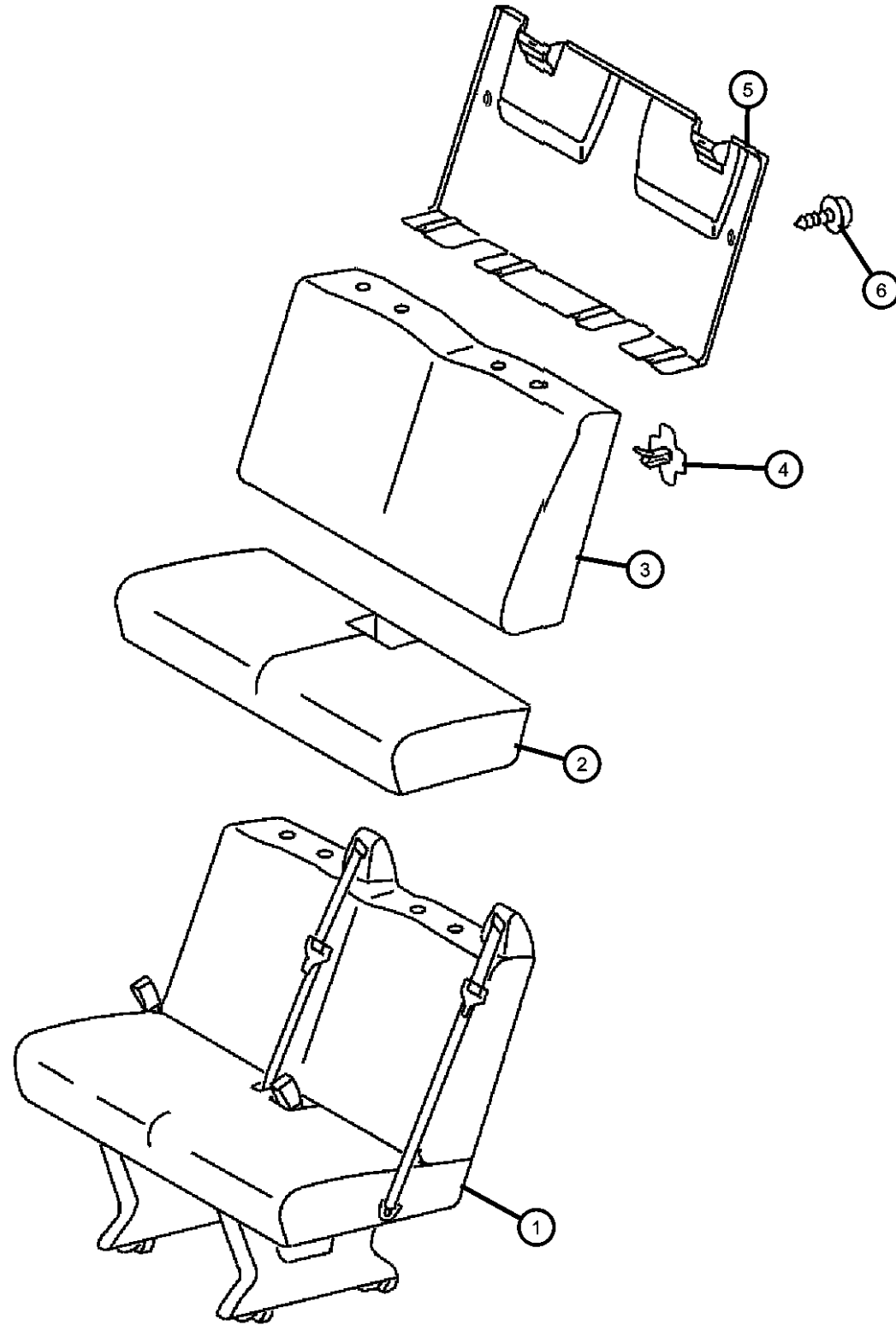
TRANSMISSION

DGJ = 5-Speed Automatic MB Transmission
DGZ = 4-Spd. Automatic MT643 Transmission

AR = use ase required - = Non illustrated part

2006 VA

Rear Seat - 2 Passenger
Figure IVA-610



ITEM	PART NUMBER	QTY	LINE	SERIES	BODY	ENGINE	TRANS	TRIM	DESCRIPTION
	05103707AA	1	2, 6	L	51, 52, 54, 55, 56				Left
		1	3, 7	L	12, 15, 16				Left
		1	2, 6	L	11, 12, 14, 15, 16				Left
5	05134089AA	1	2, 6	L	11, 12, 14, 15, 16				PANEL, Rear Seat Back Two Passenger
		1	2, 6	L	51, 52, 54, 55, 56				Two Passenger
		1	3, 7	L	12, 15, 16				Two Passenger
6	05133295AA	2	2, 6	L	11, 12, 14, 15, 16				SCREW, Self-Tapping
		2	2, 6	L	51, 52, 54, 55, 56				
		2	3, 7	L	12, 15, 16				

SPRINTER (VA)

SERIES

L = LOWLINE

LINE

3 = HD DODGE 2WD
8 = HD DODGE 4WD
6 = Lt. Duty DODGE 4WD
2 = Med. Duty DODGE 2WD
7 = Med. Duty DODGE 4WD
4 = TRUCK

BODY

01 = CHASSIS FORWARD
CONTROL W.B.1
02 = CAB CHASSIS WHEEL
BASE 2
06 = CAB CHASSIS WHEEL
BASE 6
11 = VAN WHEEL BASE 1
12 = VAN WHEEL BASE 2
51 = WAGON WHEEL BASE 1
52 = WAGON WHEEL BASE 2
14 = VAN WHEEL BASE 4
15 = VAN WHEEL BASE 5
54 = WAGON WHEEL BASE 4
55 = WAGON WHEEL BASE 5
56 = WAGON WHEEL BASE 6
16 = VAN WHEEL BASE 6

ENGINE

EX8 = 2.7L I5 Turbo Diesel
Engine
EX9 = 2.7L I5 Mercedes-Benz
TD Engine

TRANSMISSION

DGJ = 5-Speed Automatic MB
Transmission
DGZ = 4-Spd. Automatic MT643
Transmission

AR = use ase required - = Non illustrated part

2006 VA

Rear Seat - 3 Passenger
Figure IVA-615

ITEM	PART NUMBER	QTY	LINE	SERIES	BODY	ENGINE	TRANS	TRIM	DESCRIPTION
1									SEAT COMPLETE, Rear, Three Passenger
	05133122AA	1	2, 6	L	51, 52, 54, 55, 56				First Rear Bench
	05133126AA	1	2, 6	L	51, 52, 54, 55, 56				Santos, Second Rear Bench
		1	2, 6	L	51, 52, 54, 55, 56				Santos, Third Rear Bench
	05133118AA	1	2, 6	L	11, 12, 14, 15, 16				Santos, First Rear Bench
		1	2, 6	L	51, 52, 54, 55, 56				Santos, First Rear Bench
		1	2, 6	L	11, 12, 14, 15, 16				First Rear Bench
	05133130AA	1	2, 6	L	51, 52, 54, 55, 56				Second Rear Bench
		1	2, 6	L	51, 52, 54, 55, 56				Third Rear Bench
2									CUSHION, Rear Seat, Three Passenger
	05134103AA	1	2, 6	L	51, 52, 54, 55, 56				Santos, Second & Third Row Rear Bench
		1	3, 7	L	12, 15, 16				Santos, Second & Third Row Rear Bench
	05134612AA	1	2, 6	L	11, 12, 14, 15, 16				First Rear Bench
		1	2, 6	L	11, 12, 14, 15, 16				Santos, Second & Third Row Rear Bench
		1	2, 6	L	51, 52, 54, 55, 56				First Rear Bench
	05134614AA	1	3, 7	L	12, 15, 16				First Rear Bench
		1	2, 6	L	11, 12, 14, 15, 16				Second & Third Row Rear Bench
		1	2, 6	L	51, 52, 54, 55, 56				Second & Third Row Rear Bench
		1	3, 7	L	12, 15, 16				Second & Third Row Rear Bench
3									BRACKET, Rear Seatback

SPRINTER (VA)

SERIES

L = LOWLINE

LINE

3 = HD DODGE 2WD
8 = HD DODGE 4WD
6 = Lt. Duty DODGE 4WD
2 = Med. Duty DODGE 2WD
7 = Med. Duty DODGE 4WD
4 = TRUCK

BODY

01 = CHASSIS FORWARD CONTROL W.B.1
02 = CAB CHASSIS WHEEL BASE 2
06 = CAB CHASSIS WHEEL BASE 6
11 = VAN WHEEL BASE 1
12 = VAN WHEEL BASE 2
51 = WAGON WHEEL BASE 1
52 = WAGON WHEEL BASE 2
14 = VAN WHEEL BASE 4
15 = VAN WHEEL BASE 5
54 = WAGON WHEEL BASE 4
55 = WAGON WHEEL BASE 5
56 = WAGON WHEEL BASE 6
16 = VAN WHEEL BASE 6

ENGINE

EX8 = 2.7L I5 Turbo Diesel Engine
EX9 = 2.7L I5 Mercedes-Benz TD Engine

TRANSMISSION

DGJ = 5-Speed Automatic MB Transmission
DGZ = 4-Spd. Automatic MT643 Transmission

AR = use ase required - = Non illustrated part

2006 VA

Rear Seat - 3 Passenger
Figure IVA-615

ITEM	PART NUMBER	QTY	LINE	SERIES	BODY	ENGINE	TRANS	TRIM	DESCRIPTION
	05103706AA	1	2, 6	L	11, 12, 14, 15, 16				Right
		1	2, 6	L	51, 52, 54, 55, 56				Right
		1	3, 7	L	12, 15, 16				Right
	05103707AA	1	2, 6	L	11, 12, 14, 15, 16				Left
		1	2, 6	L	51, 52, 54, 55, 56				Left
		1	3, 7	L	12, 15, 16				Left
4									SEAT BACK, Rear, 3 Passenger
	05134106AA	1	2, 6	L	11, 12, 14, 15, 16				Santos,Second & Third Row Rear Bench
		1	2, 6	L	51, 52, 54, 55, 56				Santos,Second & Third Row Rear Bench
	05134613AA	1	2, 6	L	11, 12, 14, 15, 16				First Rear Bench
		1	2, 6	L	51, 52, 54, 55, 56				First Rear Bench
	05134615AA	1	3, 7	L	12, 15, 16				First Rear Bench
		1	2, 6	L	11, 12, 14, 15, 16				Second & Third Row Rear Bench
		1	2, 6	L	51, 52, 54, 55, 56				Second & Third Row Rear Bench
		1	3, 7	L	12, 15, 16				Second & Third Row Rear Bench
		1	3, 7	L	12, 15, 16				Santos,Second & Third Row Rear Bench
5									SCREW, Self-Tapping
	05133295AA	2	2, 6	L	11, 12, 14, 15, 16				
		2	2, 6	L	51, 52, 54, 55, 56				
6									PANEL, Seat Back, Two Passenger
	05134096AA	1	2, 6	L	11, 12, 14, 15, 16				

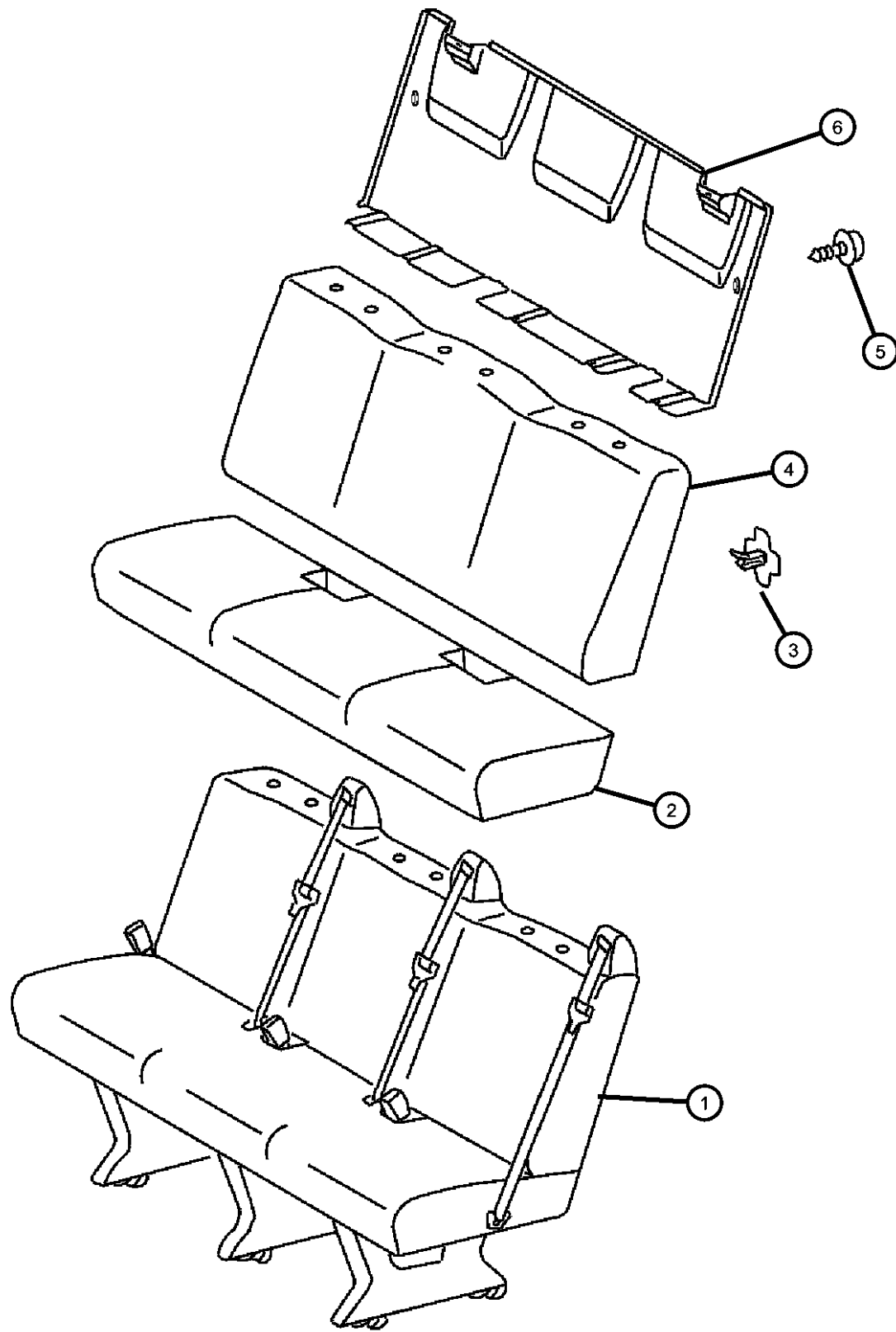
SPRINTER (VA)

SERIES	LINE	BODY	ENGINE	TRANSMISSION
L = LOWLINE	3 = HD DODGE 2WD 8 = HD DODGE 4WD 6 = Lt. Duty DODGE 4WD 2 = Med. Duty DODGE 2WD 7 = Med. Duty DODGE 4WD 4 = TRUCK	01 = CHASSIS FORWARD CONTROL W.B.1 02 = CAB CHASSIS WHEEL BASE 2 06 = CAB CHASSIS WHEEL BASE 6 11 = VAN WHEEL BASE 1 12 = VAN WHEEL BASE 2 51 = WAGON WHEEL BASE 1 52 = WAGON WHEEL BASE 2 14 = VAN WHEEL BASE 4 15 = VAN WHEEL BASE 5 54 = WAGON WHEEL BASE 4 55 = WAGON WHEEL BASE 5 56 = WAGON WHEEL BASE 6 16 = VAN WHEEL BASE 6	EX8 = 2.7L I5 Turbo Diesel Engine EX9 = 2.7L I5 Mercedes-Benz TD Engine	DGJ = 5-Speed Automatic MB Transmission DGZ = 4-Spd. Automatic MT643 Transmission

AR = use ase required - = Non illustrated part

Rear Seat - 3 Passenger
Figure IVA-615

ITEM	PART NUMBER	QTY	LINE	SERIES	BODY	ENGINE	TRANS	TRIM	DESCRIPTION
------	-------------	-----	------	--------	------	--------	-------	------	-------------



		1	2, 6	L	51, 52, 54, 55, 56				
		1	3, 7	L	12, 15, 16				

SPRINTER (VA)

SERIES

L = LOWLINE

LINE

3 = HD DODGE 2WD
8 = HD DODGE 4WD
6 = Lt. Duty DODGE 4WD
2 = Med. Duty DODGE 2WD
7 = Med. Duty DODGE 4WD
4 = TRUCK

BODY

01 = CHASSIS FORWARD CONTROL W.B.1
02 = CAB CHASSIS WHEEL BASE 2
06 = CAB CHASSIS WHEEL BASE 6
11 = VAN WHEEL BASE 1
12 = VAN WHEEL BASE 2
51 = WAGON WHEEL BASE 1
52 = WAGON WHEEL BASE 2
14 = VAN WHEEL BASE 4
15 = VAN WHEEL BASE 5
54 = WAGON WHEEL BASE 4
55 = WAGON WHEEL BASE 5
56 = WAGON WHEEL BASE 6
16 = VAN WHEEL BASE 6

ENGINE

EX8 = 2.7L I5 Turbo Diesel Engine
EX9 = 2.7L I5 Mercedes-Benz TD Engine

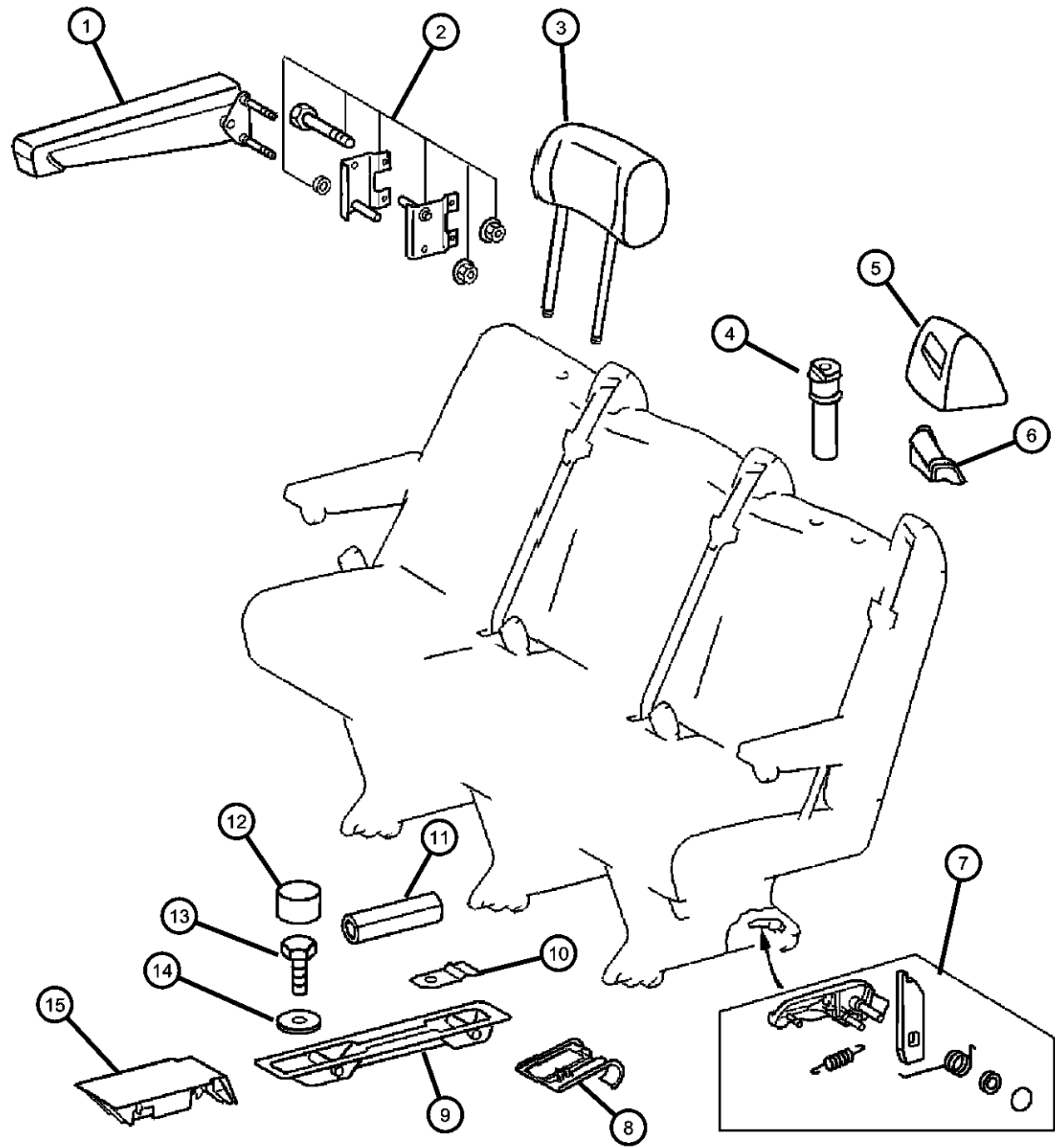
TRANSMISSION

DGJ = 5-Speed Automatic MB Transmission
DGZ = 4-Spd. Automatic MT643 Transmission

AR = use ase required - = Non illustrated part

2006 VA

**Attaching Parts - 3rd Passenger Seat
Figure IVA-620**



ITEM	PART NUMBER	QTY	LINE	SERIES	BODY	ENGINE	TRANS	TRIM	DESCRIPTION
1	0ZN58CSSAA	1	2, 6	L	51, 52, 54, 55, 56			*B7	ARMREST, REAR SEAT Right
		1	3, 7	L	12, 15, 16			*B7	Right
	0ZN57CSSAA	1	2, 6	L	11, 12, 14, 15, 16			*B7	Left
		1	2, 6	L	51, 52, 54, 55, 56			*B7	Left
		1	3, 7	L	12, 15, 16			*B7	Left
		1	2, 6	L	11, 12, 14, 15, 16			*B7	Right
2	05134098AA	1	2, 6	L	11, 12, 14, 15, 16				BRACKET, Arm Rest
		1	2, 6	L	51, 52, 54, 55, 56				
		1	3, 7	L	12, 15, 16				
3	05125377AA	1	2, 6	L	51, 52, 54, 55, 56				HEADREST Santos
		3	2, 6	L	11, 12, 14, 15, 16				Catano
	05104534AA	3	3, 7	L	12, 15, 16				Catano
		3	2, 6	L	11, 12, 14, 15, 16				Venice
	05125368AA	3	3, 7	L	12, 15, 16				Venice
		1	3, 7	L	02, 06				Santos
	1	3, 7	L	12, 15, 16				Santos	
	4	1AV08AA7AA	2	2, 6	L	01, 02, 06			*B7
2			2, 6	L	11, 12, 14, 15, 16			*B7	
2			2, 6	L	51, 52, 54, 55, 56			*B7	

SPRINTER (VA)

SERIES
L = LOWLINE

LINE
3 = HD DODGE 2WD
8 = HD DODGE 4WD
6 = Lt. Duty DODGE 4WD
2 = Med. Duty DODGE 2WD
7 = Med. Duty DODGE 4WD
4 = TRUCK

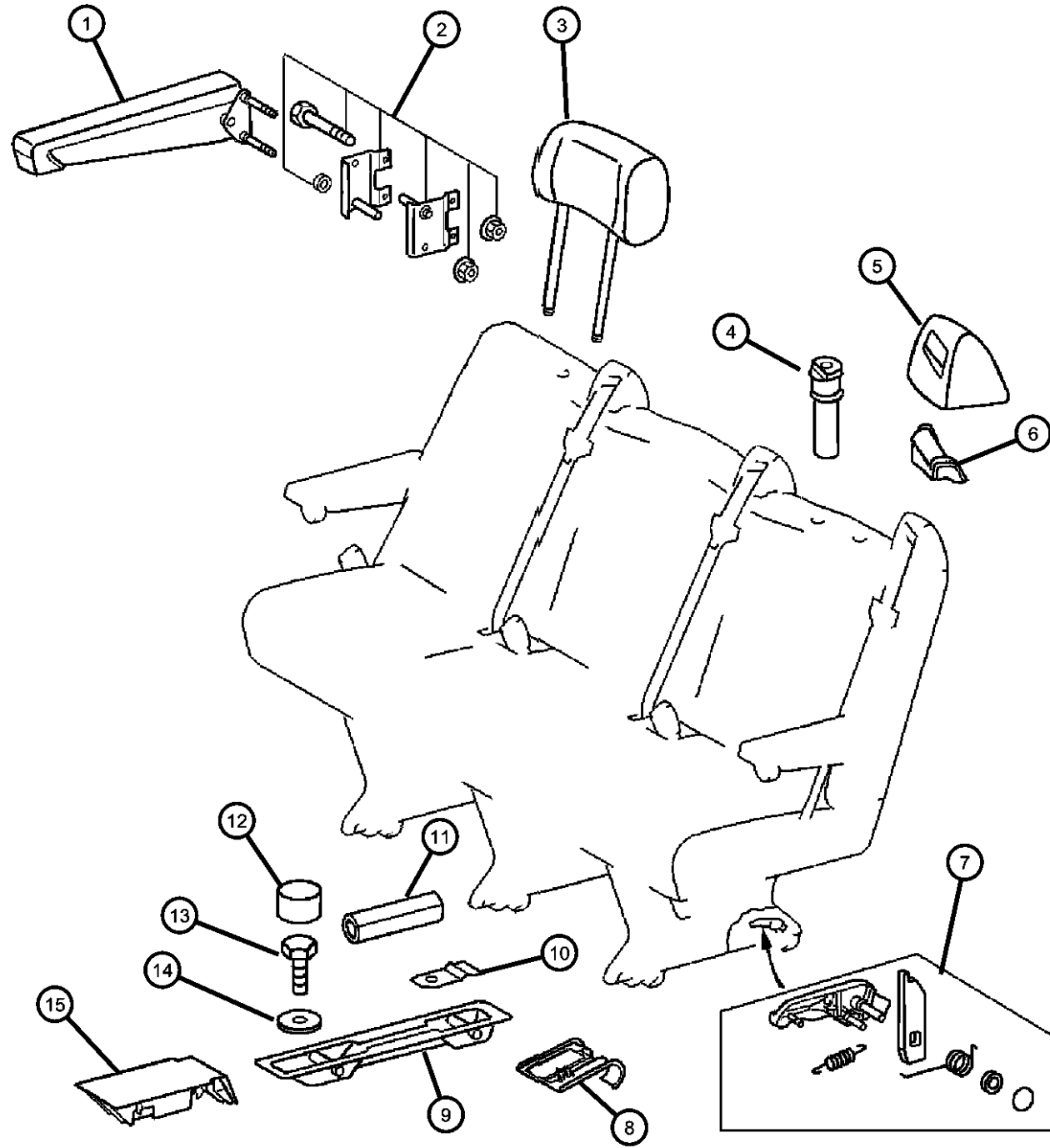
BODY
01 = CHASSIS FORWARD CONTROL W.B.1
02 = CAB CHASSIS WHEEL BASE 2
06 = CAB CHASSIS WHEEL BASE 6
11 = VAN WHEEL BASE 1
12 = VAN WHEEL BASE 2
51 = WAGON WHEEL BASE 1
52 = WAGON WHEEL BASE 2
14 = VAN WHEEL BASE 4
15 = VAN WHEEL BASE 5
54 = WAGON WHEEL BASE 4
55 = WAGON WHEEL BASE 5
56 = WAGON WHEEL BASE 6
16 = VAN WHEEL BASE 6

ENGINE
EX8 = 2.7L I5 Turbo Diesel Engine
EX9 = 2.7L I5 Mercedes-Benz TD Engine

TRANSMISSION
DGJ = 5-Speed Automatic MB Transmission
DGZ = 4-Spd. Automatic MT643 Transmission

AR = use ase required - = Non illustrated part

**Attaching Parts - 3rd Passenger Seat
Figure IVA-620**



ITEM	PART NUMBER	QTY	LINE	SERIES	BODY	ENGINE	TRANS	TRIM	DESCRIPTION
5	05103708AA	2	3, 7	L	02, 06			*B7	COVER, Seat Belt Opening
		2	3, 7	L	12, 15, 16			*B7	
6	05103709AA	1	2, 6	L	11, 12, 14, 15, 16				GUIDE, Seat Belt
		1	2, 6	L	51, 52, 54, 55, 56				
7	05103704AA	1	3, 7	L	12, 15, 16				LATCH, Seat
		1	2, 6	L	11, 12, 14, 15, 16				
8	05103704AA	1	2, 6	L	51, 52, 54, 55, 56				LATCH, Seat
		1	3, 7	L	12, 15, 16				
9	05134099AA	2	2, 6	L	11, 12, 14, 15, 16				ESCUTCHEON, Seat Anchor
		2	2, 6	L	51, 52, 54, 55, 56				
		2	3, 7	L	12, 15, 16				
9	05104531AA	4	2, 6	L	11, 12, 14, 15, 16				ESCUTCHEON, Seat Anchor
		4	2, 6	L	51, 52, 54, 55, 56				
		4	3, 7	L	12, 15, 16				
9	05104531AA	1	2, 6	L	11, 12, 14, 15, 16				ESCUTCHEON, Seat Anchor Second Rear Bench, 2 Passenger
		1	2, 6	L	51, 52, 54, 55, 56				
		1	3, 7	L	12, 15, 16				

SPRINTER (VA)

SERIES

L = LOWLINE
 3 = HD DODGE 2WD
 8 = HD DODGE 4WD
 6 = Lt. Duty DODGE 4WD
 2 = Med. Duty DODGE 2WD
 7 = Med. Duty DODGE 4WD
 4 = TRUCK

BODY

01 = CHASSIS FORWARD CONTROL W.B.1
 02 = CAB CHASSIS WHEEL BASE 2
 06 = CAB CHASSIS WHEEL BASE 6
 11 = VAN WHEEL BASE 1
 12 = VAN WHEEL BASE 2
 51 = WAGON WHEEL BASE 1
 52 = WAGON WHEEL BASE 2
 14 = VAN WHEEL BASE 4
 15 = VAN WHEEL BASE 5
 54 = WAGON WHEEL BASE 4
 55 = WAGON WHEEL BASE 5
 56 = WAGON WHEEL BASE 6
 16 = VAN WHEEL BASE 6

ENGINE

EX8 = 2.7L I5 Turbo Diesel Engine
 EX9 = 2.7L I5 Mercedes-Benz TD Engine

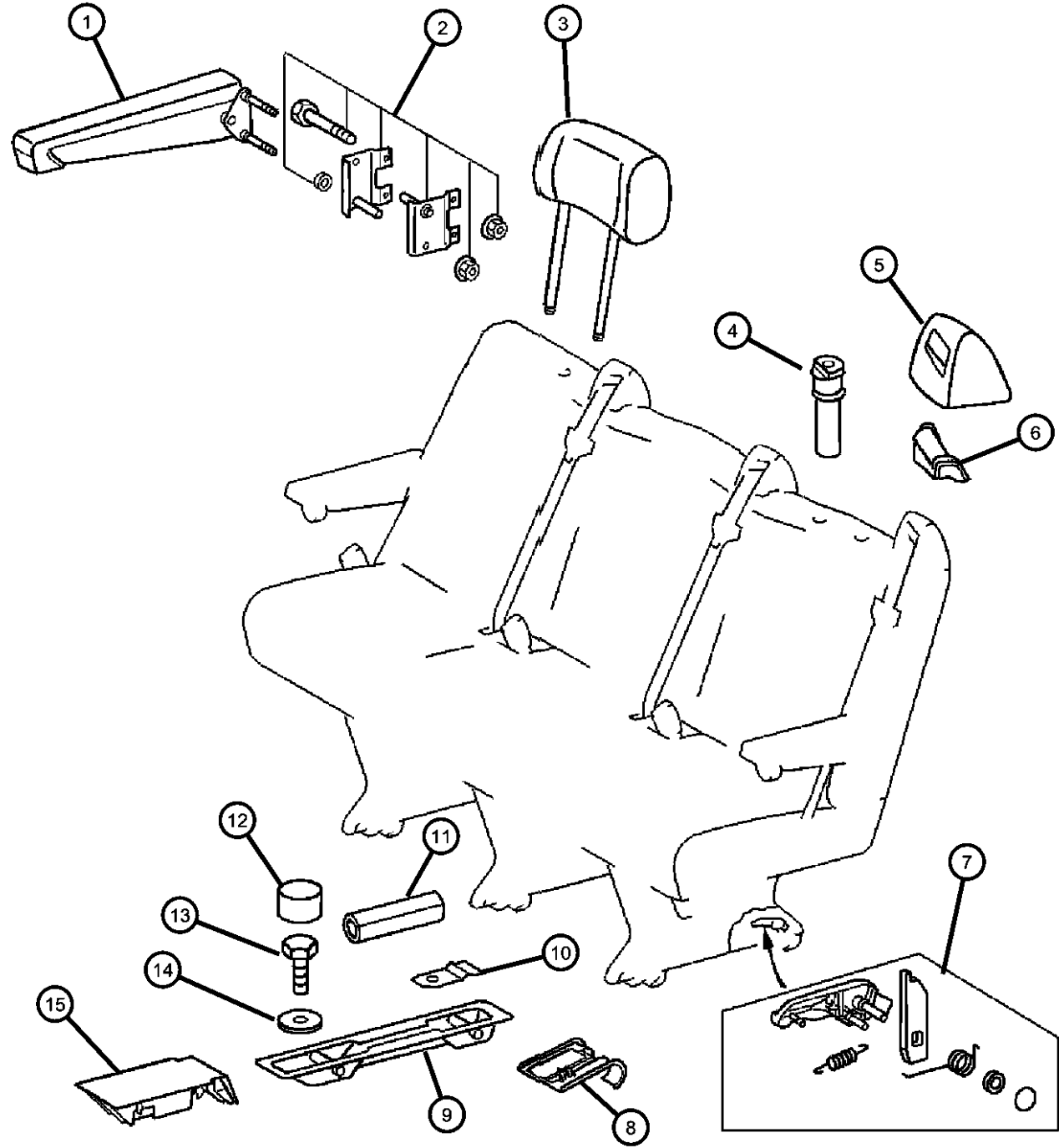
TRANSMISSION

DGJ = 5-Speed Automatic MB Transmission
 DGZ = 4-Spd. Automatic MT643 Transmission

AR = use ase required - = Non illustrated part

2006 VA

**Attaching Parts - 3rd Passenger Seat
Figure IVA-620**



ITEM	PART NUMBER	QTY	LINE	SERIES	BODY	ENGINE	TRANS	TRIM	DESCRIPTION
10	05104532AA	1	2, 6	L	11, 12, 14, 15, 16				First Rear Bench, 3 Passenger
		1	2, 6	L	51, 52, 54, 55, 56				First Rear Bench, 3 Passenger
		1	3, 7	L	12, 15, 16				First Rear Bench, 3 Passenger SPRING, Seat Latch Return
11	05134097AA	2	2, 6	L	11, 12, 14, 15, 16				
		2	2, 6	L	51, 52, 54, 55, 56				
		2	3, 7	L	12, 15, 16				PIN, Roll
12	05104550AA	2	2, 6	L	11, 12, 14, 15, 16				
		2	2, 6	L	51, 52, 54, 55, 56				
		2	3, 7	L	12, 15, 16				COVER, Seat Belt
13	05133484AA	6	2, 6	L	11, 12, 14, 15, 16				
		6	2, 6	L	51, 52, 54, 55, 56				
		6	3, 7	L	12, 15, 16				BOLT, Hex Head
14	06104216AA	4	2, 6	L	11, 12, 14, 15, 16				
		4	2, 6	L	51, 52, 54, 55, 56				
		4	3, 7	L	12, 15, 16				
		4	3, 7	L	02, 06				WASHER, Flat
	05126189AA	4	2, 6	L	11, 12, 14, 15, 16				

SPRINTER (VA)

SERIES
L = LOWLINE

LINE
3 = HD DODGE 2WD
8 = HD DODGE 4WD
6 = Lt. Duty DODGE 4WD
2 = Med. Duty DODGE 2WD
7 = Med. Duty DODGE 4WD
4 = TRUCK

BODY

01 = CHASSIS FORWARD CONTROL W.B.1
02 = CAB CHASSIS WHEEL BASE 2
06 = CAB CHASSIS WHEEL BASE 6
11 = VAN WHEEL BASE 1
12 = VAN WHEEL BASE 2
51 = WAGON WHEEL BASE 1
52 = WAGON WHEEL BASE 2
14 = VAN WHEEL BASE 4
15 = VAN WHEEL BASE 5
54 = WAGON WHEEL BASE 4
55 = WAGON WHEEL BASE 5
56 = WAGON WHEEL BASE 6
16 = VAN WHEEL BASE 6

ENGINE

EX8 = 2.7L I5 Turbo Diesel Engine
EX9 = 2.7L I5 Mercedes-Benz TD Engine

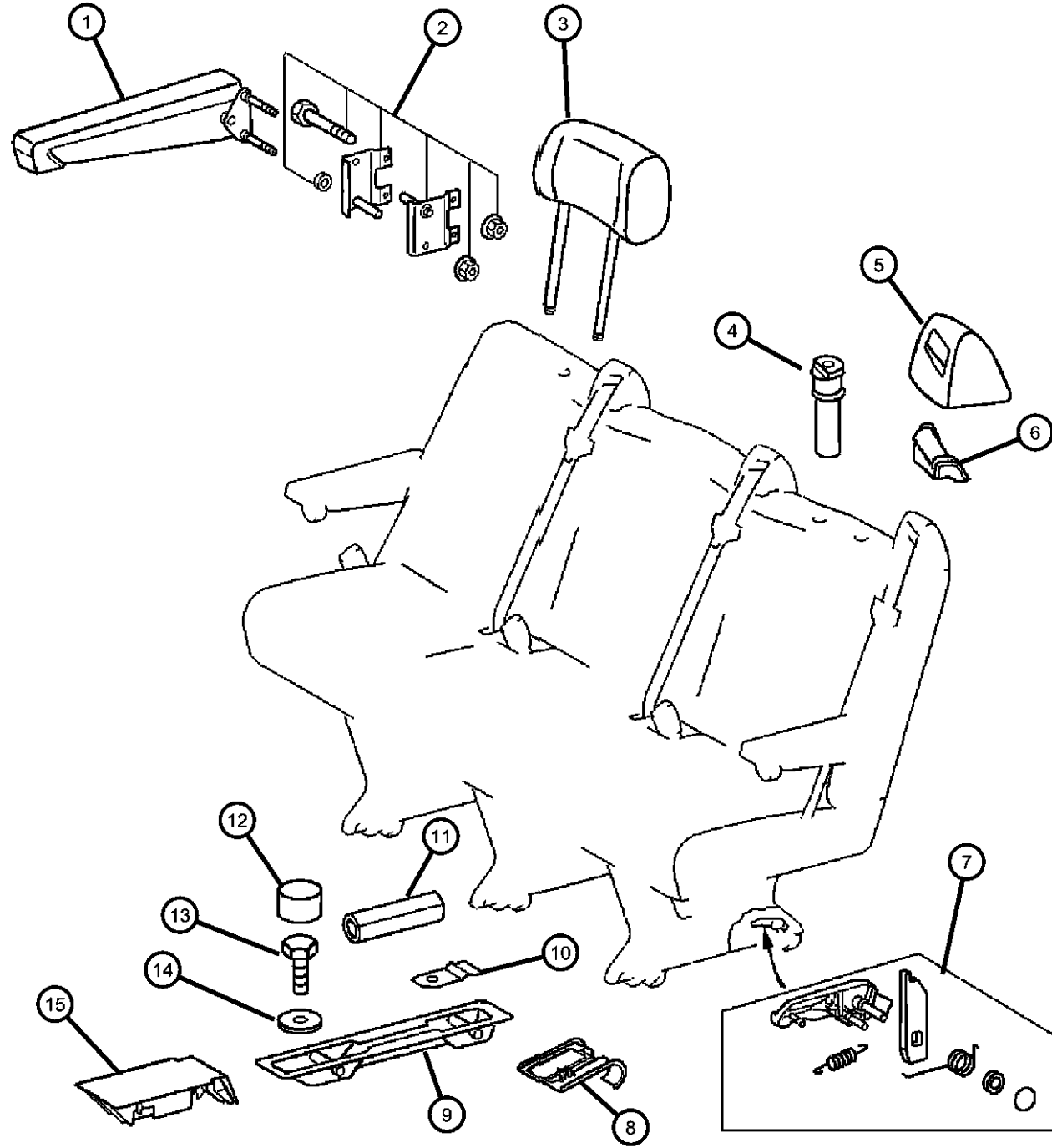
TRANSMISSION

DGJ = 5-Speed Automatic MB Transmission
DGZ = 4-Spd. Automatic MT643 Transmission

AR = use ase required - = Non illustrated part

2006 VA

**Attaching Parts - 3rd Passenger Seat
Figure IVA-620**



ITEM	PART NUMBER	QTY	LINE	SERIES	BODY	ENGINE	TRANS	TRIM	DESCRIPTION
		4	2, 6	L	51, 52, 54, 55, 56				
		4	3, 7	L	12, 15, 16				
15	05104533AA	1	2, 6	L	11, 12, 14, 15, 16				COVER, Seat Anchor
		1	2, 6	L	51, 52, 54, 55, 56				
-16	05133285AA	1	3, 7	L	12, 15, 16				HANDLE, Seat Adjuster
		1	3, 7	L	12, 15, 16				

SPRINTER (VA)

SERIES
L = LOWLINE

LINE

3 = HD DODGE 2WD
8 = HD DODGE 4WD
6 = Lt. Duty DODGE 4WD
2 = Med. Duty DODGE 2WD
7 = Med. Duty DODGE 4WD
4 = TRUCK

BODY

01 = CHASSIS FORWARD CONTROL W.B.1
02 = CAB CHASSIS WHEEL BASE 2
06 = CAB CHASSIS WHEEL BASE 6
11 = VAN WHEEL BASE 1
12 = VAN WHEEL BASE 2
51 = WAGON WHEEL BASE 1
52 = WAGON WHEEL BASE 2
14 = VAN WHEEL BASE 4
15 = VAN WHEEL BASE 5
54 = WAGON WHEEL BASE 4
55 = WAGON WHEEL BASE 5
56 = WAGON WHEEL BASE 6
16 = VAN WHEEL BASE 6

ENGINE

EX8 = 2.7L I5 Turbo Diesel Engine
EX9 = 2.7L I5 Mercedes-Benz TD Engine

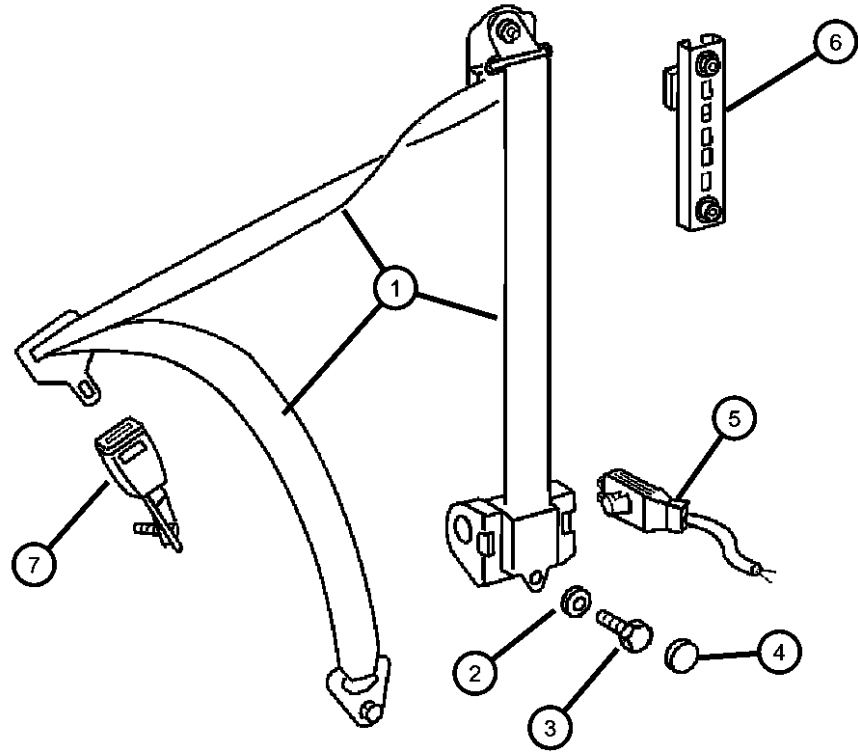
TRANSMISSION

DGJ = 5-Speed Automatic MB Transmission
DGZ = 4-Spd. Automatic MT643 Transmission

AR = use ase required - = Non illustrated part

2006 VA

Seat Belt - Front
Figure IVA-710



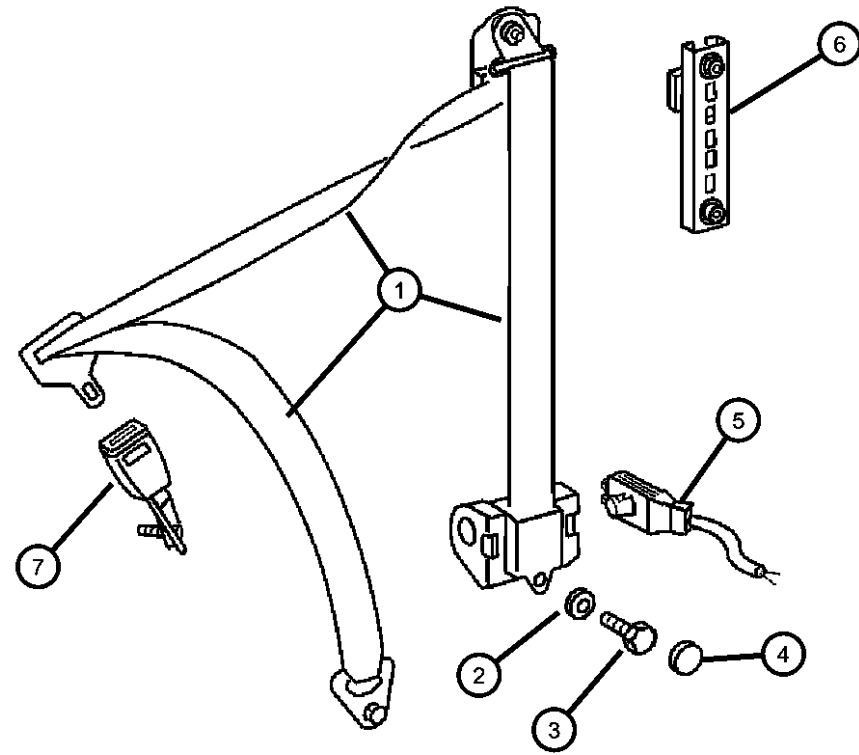
ITEM	PART NUMBER	QTY	LINE	SERIES	BODY	ENGINE	TRANS	TRIM	DESCRIPTION
1									SEAT BELT, Front Outer
	05103835AA	1	7, 3	L	02, 06				Used without Jump Seat, Right
	05103812AA	1	2, 6	L	01, 02, 06				, Left
		1	2, 6	L	11, 12, 14, 15, 16				Left
		1	2, 6	L	51, 52, 54, 55, 56				Left
		1	3, 7	L	02, 06				Left
		1	3, 7	L	12, 15, 16				Left
		1	2, 6	L	01, 02, 06				Used without Jump Seat, Right
		1	2, 6	L	11, 12, 14, 15, 16				Used without Jump Seat, Right
		1	2, 6	L	51, 52, 54, 55, 56				Used without Jump Seat, Right
	05103836AA	1	3, 7	L	12, 15, 16				Used without Jump Seat, Right
		1	2, 6	L	11, 12, 14, 15, 16				Orange, Right & Left
		1	3, 7	L	12, 15, 16				Orange, Right & Left
	05125023AA	1	2, 6	L	11, 12, 14, 15, 16				Right
		1	3, 7	L	12, 15, 16				Right
	05125026AA	1	2, 6	L	01, 02, 06				Used with Jump Seat, Right
		1	2, 6	L	11, 12, 14, 15, 16				Used with Jump Seat, Right
		1	3, 7	L	02, 06				Used with Jump Seat, Right
		1	3, 7	L	12, 15, 16				Used with Jump Seat, Right
2									WASHER, Seat Belt Attaching
	05125755AA	1	2, 6	L	01, 02, 06				
		1	2, 6	L	11, 12, 14, 15, 16				
		1	2, 6	L	51, 52, 54, 55, 56				
3									BOLT, Seat Belt

SPRINTER (VA)

SERIES	LINE	BODY	ENGINE	TRANSMISSION
L = LOWLINE	3 = HD DODGE 2WD 8 = HD DODGE 4WD 6 = Lt. Duty DODGE 4WD 2 = Med. Duty DODGE 2WD 7 = Med. Duty DODGE 4WD 4 = TRUCK	01 = CHASSIS FORWARD CONTROL W.B.1 02 = CAB CHASSIS WHEEL BASE 2 06 = CAB CHASSIS WHEEL BASE 6 11 = VAN WHEEL BASE 1 12 = VAN WHEEL BASE 2 51 = WAGON WHEEL BASE 1 52 = WAGON WHEEL BASE 2 14 = VAN WHEEL BASE 4 15 = VAN WHEEL BASE 5 54 = WAGON WHEEL BASE 4 55 = WAGON WHEEL BASE 5 56 = WAGON WHEEL BASE 6 16 = VAN WHEEL BASE 6	EX8 = 2.7L I5 Turbo Diesel Engine EX9 = 2.7L I5 Mercedes-Benz TD Engine	DGJ = 5-Speed Automatic MB Transmission DGZ = 4-Spd. Automatic MT643 Transmission

AR = use ase required - = Non illustrated part

Seat Belt - Front
Figure IVA-710



ITEM	PART NUMBER	QTY	LINE	SERIES	BODY	ENGINE	TRANS	TRIM	DESCRIPTION
	05125705AA	1	2, 6	L	01, 02, 06				
		1	2, 6	L	11, 12, 14, 15, 16				
		1	2, 6	L	51, 52, 54, 55, 56				
4									CAP, Screw Cover
	05125999AA	1	2, 6	L	51, 52, 54, 55, 56				
		2	2, 6	L	01, 02, 06				
		2	3, 7	L	02, 06				
		1	2, 6	L	11, 12, 14, 15, 16				
		2	3, 7	L	12, 15, 16				
5									HARNES, Wiring
	05133485AA	2	2, 6	L	11, 12, 14, 15, 16				
		2	2, 6	L	51, 52, 54, 55, 56				
		2	3, 7	L	02, 06				
		2	3, 7	L	12, 15, 16				
		2	2, 6	L	01, 02, 06				
6									ADJUSTER, Seat Belt Turning Loop
	05104498AA	1	2, 6	L	01, 02, 06				
		1	2, 6	L	11, 12, 14, 15, 16				
		1	2, 6	L	52, 54, 55, 56, 51				
7									SEAT BELT, Buckle Half
	05103810AA	1	2, 6	L	51, 52, 54, 55, 56				Passenger Side
		1	3, 7	L	02, 06				Passenger Side
		1	3, 7	L	12, 15, 16				Passenger Side

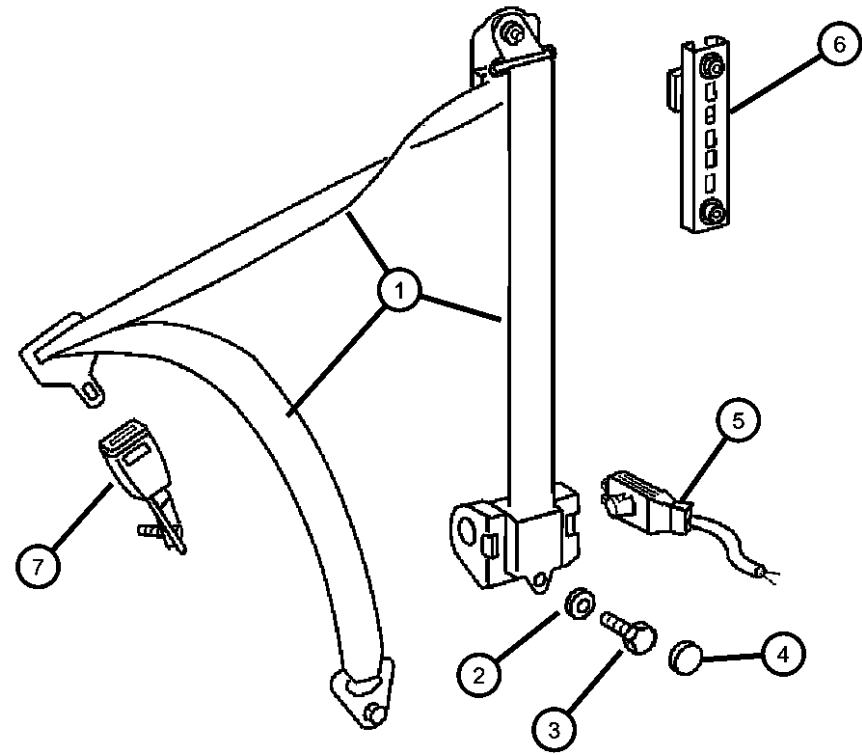
SPRINTER (VA)

SERIES	LINE	BODY	ENGINE	TRANSMISSION
L = LOWLINE	3 = HD DODGE 2WD 8 = HD DODGE 4WD 6 = Lt. Duty DODGE 4WD 2 = Med. Duty DODGE 2WD 7 = Med. Duty DODGE 4WD 4 = TRUCK	01 = CHASSIS FORWARD CONTROL W.B.1 02 = CAB CHASSIS WHEEL BASE 2 06 = CAB CHASSIS WHEEL BASE 6 11 = VAN WHEEL BASE 1 12 = VAN WHEEL BASE 2 51 = WAGON WHEEL BASE 1 52 = WAGON WHEEL BASE 2 14 = VAN WHEEL BASE 4 15 = VAN WHEEL BASE 5 54 = WAGON WHEEL BASE 4 55 = WAGON WHEEL BASE 5 56 = WAGON WHEEL BASE 6 16 = VAN WHEEL BASE 6	EX8 = 2.7L I5 Turbo Diesel Engine EX9 = 2.7L I5 Mercedes-Benz TD Engine	DGJ = 5-Speed Automatic MB Transmission DGZ = 4-Spd. Automatic MT643 Transmission

AR = use ase required - = Non illustrated part

2006 VA

Seat Belt - Front
Figure IVA-710



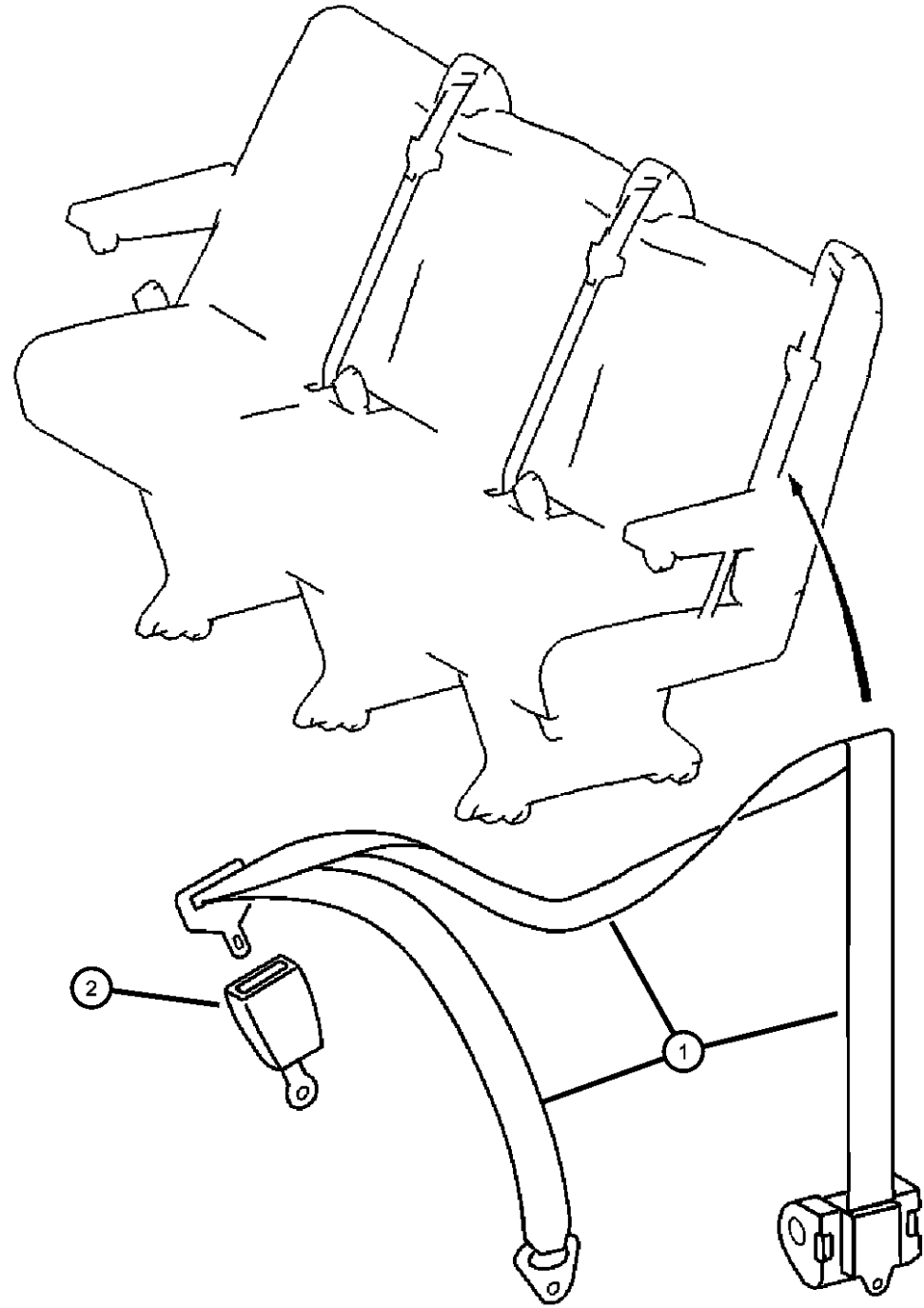
ITEM	PART NUMBER	QTY	LINE	SERIES	BODY	ENGINE	TRANS	TRIM	DESCRIPTION
		1	2, 6	L	01, 02, 06				Passenger Side
		1	2, 6	L	11, 12, 14, 15, 16				Passenger Side
	05103811AA	1	2, 6	L	51, 52, 54, 55, 56				Driver Side
		1	3, 7	L	12, 15, 16				Driver Side
	05124982AA	1	2, 6	L	11, 12, 14, 15, 16				With Luxury Bucket, Passenger Side
		1	2, 6	L	51, 52, 54, 55, 56				With Luxury Bucket, Passenger Side
		1	2, 6	L	11, 12, 14, 15, 16				Driver Side
		1	3, 7	L	12, 15, 16				With Luxury Bucket, Passenger Side
-8									SEAT BELT, Retractor
	05125014AA	2	2, 6	L	11, 12, 14, 15, 16				
	05103834AA	2	2, 6	L	51, 52, 54, 55, 56				

SPRINTER (VA)

SERIES	LINE	BODY	ENGINE	TRANSMISSION
L = LOWLINE	3 = HD DODGE 2WD 8 = HD DODGE 4WD 6 = Lt. Duty DODGE 4WD 2 = Med. Duty DODGE 2WD 7 = Med. Duty DODGE 4WD 4 = TRUCK	01 = CHASSIS FORWARD CONTROL W.B.1 02 = CAB CHASSIS WHEEL BASE 2 06 = CAB CHASSIS WHEEL BASE 6 11 = VAN WHEEL BASE 1 12 = VAN WHEEL BASE 2 51 = WAGON WHEEL BASE 1 52 = WAGON WHEEL BASE 2 14 = VAN WHEEL BASE 4 15 = VAN WHEEL BASE 5 54 = WAGON WHEEL BASE 4 55 = WAGON WHEEL BASE 5 56 = WAGON WHEEL BASE 6 16 = VAN WHEEL BASE 6	EX8 = 2.7L I5 Turbo Diesel Engine EX9 = 2.7L I5 Mercedes-Benz TD Engine	DGJ = 5-Speed Automatic MB Transmission DGZ = 4-Spd. Automatic MT643 Transmission

AR = use ase required - = Non illustrated part

**Seat Belt - Second Row
Figure IVA-720**



ITEM	PART NUMBER	QTY	LINE	SERIES	BODY	ENGINE	TRANS	TRIM	DESCRIPTION
1									SEAT BELT, Retractor
	05125014AA	2	3, 7	L	12, 15, 16				
	05103834AA	3	2, 6	L	51, 52, 54, 55, 56				
		2	2, 6	L	11, 12, 14, 15, 16				
2									SEAT BELT, Buckle Half
	05104502AA	2	2, 6	L	11, 12, 14, 15, 16				
		2	2, 6	L	51, 52, 54, 55, 56				
		2	3, 7	L	12, 15, 16				

SPRINTER (VA)

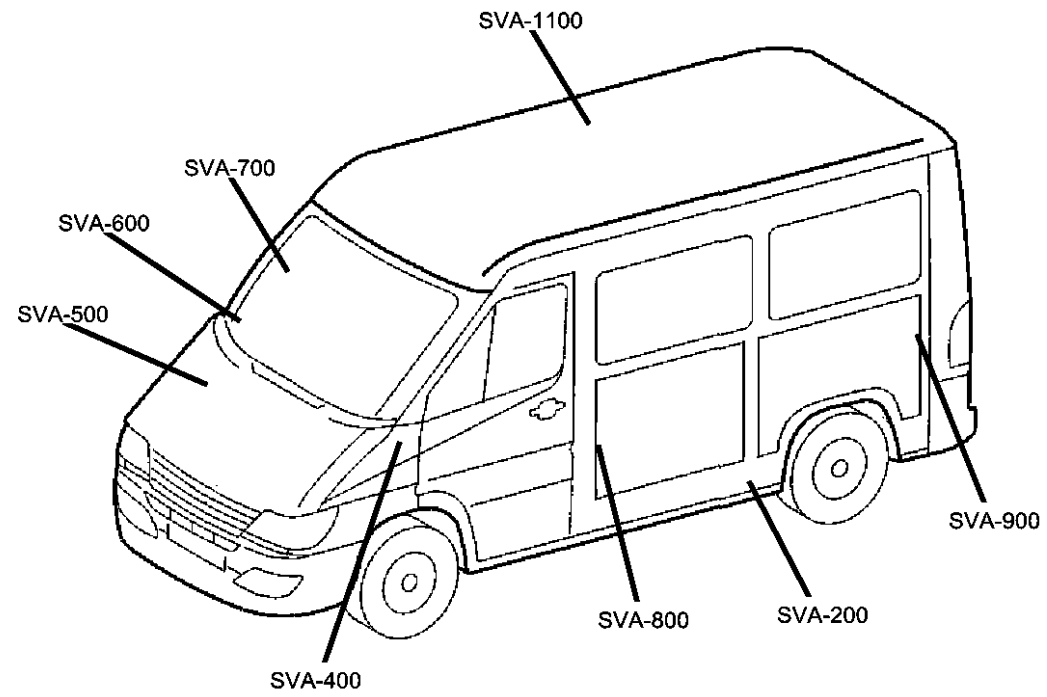
SERIES	LINE	BODY	ENGINE	TRANSMISSION
L = LOWLINE	3 = HD DODGE 2WD 8 = HD DODGE 4WD 6 = Lt. Duty DODGE 4WD 2 = Med. Duty DODGE 2WD 7 = Med. Duty DODGE 4WD 4 = TRUCK	01 = CHASSIS FORWARD CONTROL W.B.1 02 = CAB CHASSIS WHEEL BASE 2 06 = CAB CHASSIS WHEEL BASE 6 11 = VAN WHEEL BASE 1 12 = VAN WHEEL BASE 2 51 = WAGON WHEEL BASE 1 52 = WAGON WHEEL BASE 2 14 = VAN WHEEL BASE 4 15 = VAN WHEEL BASE 5 54 = WAGON WHEEL BASE 4 55 = WAGON WHEEL BASE 5 56 = WAGON WHEEL BASE 6 16 = VAN WHEEL BASE 6	EX8 = 2.7L I5 Turbo Diesel Engine EX9 = 2.7L I5 Mercedes-Benz TD Engine	DGJ = 5-Speed Automatic MB Transmission DGZ = 4-Spd. Automatic MT643 Transmission

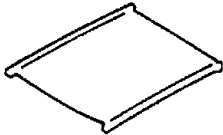

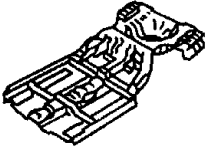

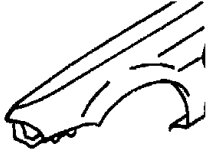
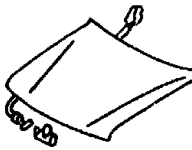
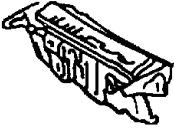

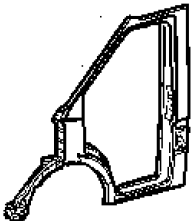
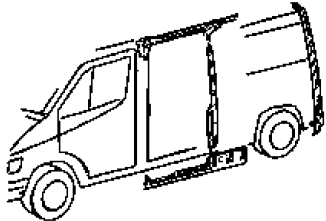
AR = use ase required - = Non illustrated part

2006 VA

Group - SVA

Body Sheet Metal Except Doors

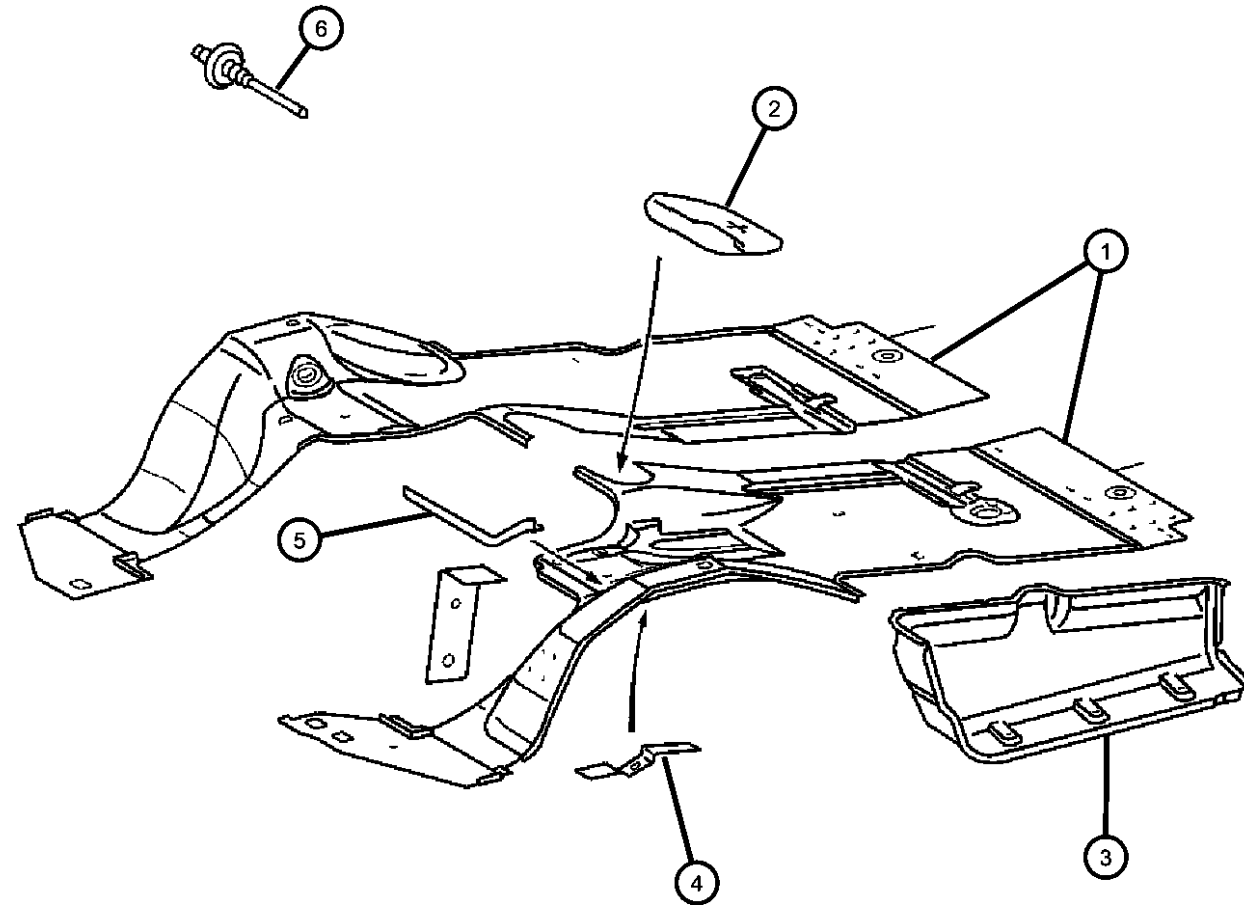


<p>SVA-1100 Roof Panels</p> 	<p>SVA-1200 Sunroof</p> 	<p>SVA-200 Floor Pans</p> 	<p>SVA-300 Plugs</p> 
<p>SVA-400 Front Fenders</p> 	<p>SVA-500 Hood and Hood Release</p> 	<p>SVA-600 Cowl and Dash Panel</p> 	<p>SVA-700 Glass and Rear View Mirror</p> 
<p>SVA-800 Aperture Panel</p> 	<p>SVA-900 Quarter Panel and Pillars</p> 		

Group - SVA Body Sheet Metal Except Doors

Illustration Title	Group-Fig. No.
Floor Pans	
Front Floor Pan.....	Fig. SVA - 210
Rear Floor Pan.....	Fig. SVA - 220
Plugs	
Plugs.....	Fig. SVA - 310
Front Fenders	
Front Fender.....	Fig. SVA - 410
Fender Splash Guards.....	Fig. SVA - 420
Hood and Hood Release	
Hood and Hood Release.....	Fig. SVA - 510
Cowl and Dash Panel	
Cowl and Dash.....	Fig. SVA - 610
Inner Paneling in Cab, Cowl.....	Fig. SVA - 620
Glass and Rear View Mirror	
Windshield, Backlite and Rear View Mirror.....	Fig. SVA - 710
Front Right Side Sliding Glass.....	Fig. SVA - 720
Side Glass, Fixed.....	Fig. SVA - 730
Aperture Panel	
Front Aperture, Inner, Left.....	Fig. SVA - 810
Front Aperture, Outer, Left.....	Fig. SVA - 820
Front Aperture, Inner, Right.....	Fig. SVA - 830
Front Aperture, Outer, Right.....	Fig. SVA - 840
Quarter Panel and Pillars	
Left Side, Cargo Door Pillars & Wheelhouse.....	Fig. SVA - 905
Left Side, Inner Support Panels.....	Fig. SVA - 910
Right Side, Cargo Door Pillars & Wheelhouse.....	Fig. SVA - 915
Right Side, Inner Support Panels.....	Fig. SVA - 920
Left Side, Outer Panels.....	Fig. SVA - 925
Right Side, Outer Panels.....	Fig. SVA - 930
Ventilation Flap.....	Fig. SVA - 940
Ventilation Flap.....	Fig. SVA - 945
Rear Splash Shield.....	Fig. SVA - 970
Rear Step Panel.....	Fig. SVA - 980
Partition Wall & Load Protection Grill.....	Fig. SVA - 990
Roof Panels	
Low Roof Panel.....	Fig. SVA - 1110
High Roof Panel.....	Fig. SVA - 1120
Sunroof	
Manual Sunroof.....	Fig. SVA - 1210
Fixed Sunroof.....	Fig. SVA - 1220

Front Floor Pan
Figure SVA-210



ITEM	PART NUMBER	QTY	LINE	SERIES	BODY	ENGINE	TRANS	TRIM	DESCRIPTION
1									PAD, Floor Pan
	05121511AA	1	2, 6		01, 02, 06				
		1	2, 6		11, 12, 14, 15, 16				
		1	2, 6		51, 52, 54, 55, 56				
		1	3, 7		02, 06				
		1	3, 7		12, 15, 16				
2									ESCUTCHEON, Floor
	05121510AA	1	2, 6		01, 02, 06				
		1	2, 6		11, 12, 14, 15, 16				
		1	2, 6		51, 52, 54, 55, 56				
		1	3, 7		02, 06				
		1	3, 7		12, 15, 16				
3									STEP PAD, Side Step
	05104161AA	1	2, 6		01, 02, 06				Left
		1	2, 6		11, 12, 14, 15, 16				Left
		1	2, 6		51, 52, 54, 55, 56				Left
		1	3, 7		02, 06				Left
		1	3, 7		12, 15, 16				Left
	05121571AA	1	2, 6		01, 02, 06				Right
		1	2, 6		11, 12, 14, 15, 16				Right
		1	2, 6		51, 52, 54, 55, 56				Right
		1	3, 7		02, 06				Right
		1	3, 7		12, 15, 16				Right
4									BRACKET, Floor Pan, Brake Cable

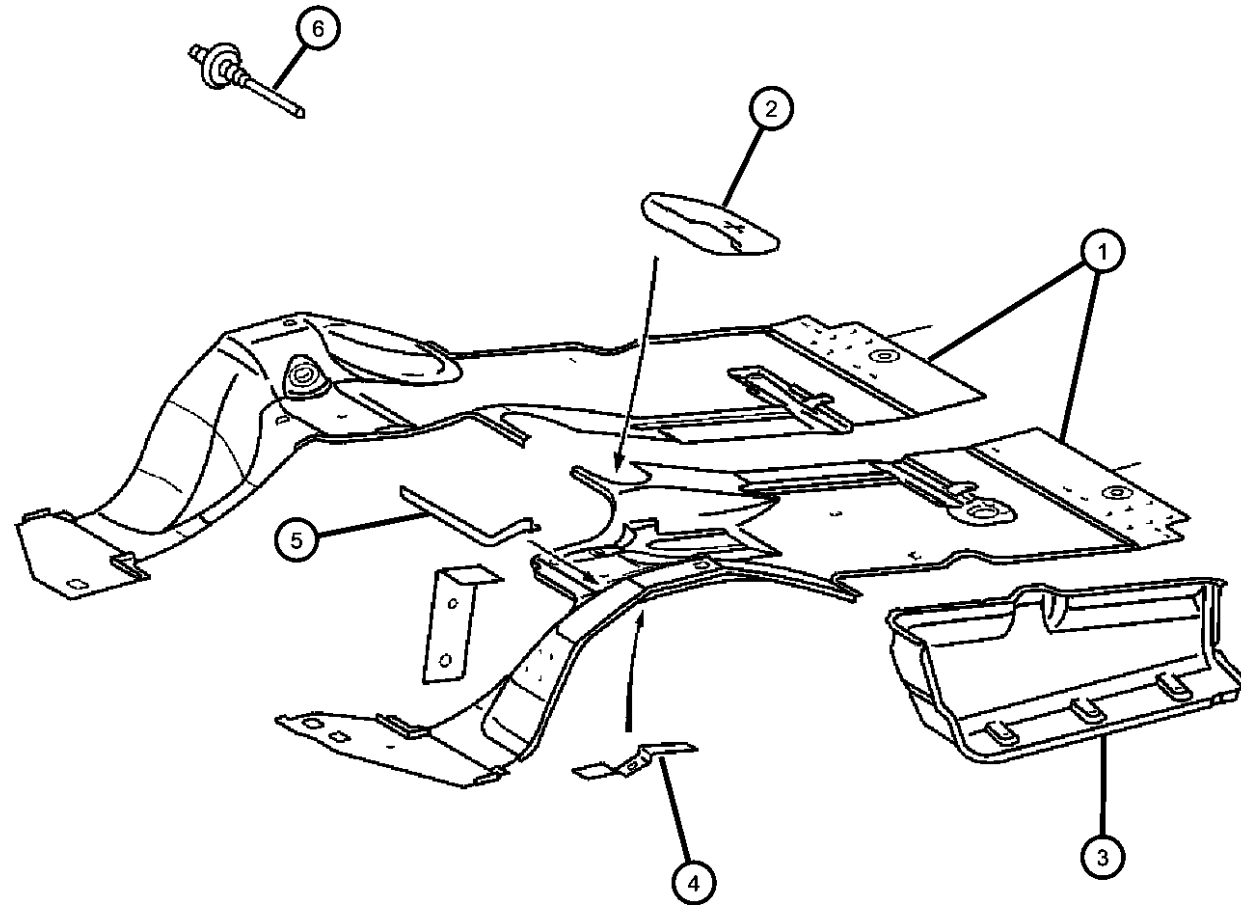
SPRINTER (VA)

SERIES	LINE	BODY	ENGINE	TRANSMISSION
L = LOWLINE	3 = HD DODGE 2WD	01 = CHASSIS FORWARD CONTROL W.B.1	EX8 = 2.7L I5 Turbo Diesel Engine	DGJ = 5-Speed Automatic MB Transmission
	8 = HD DODGE 4WD	02 = CAB CHASSIS WHEEL BASE 2	EX9 = 2.7L I5 Mercedes-Benz TD Engine	DGZ = 4-Spd. Automatic MT643 Transmission
	6 = Lt. Duty DODGE 4WD	06 = CAB CHASSIS WHEEL BASE 6		
	2 = Med. Duty DODGE 2WD	11 = VAN WHEEL BASE 1		
	7 = Med. Duty DODGE 4WD	12 = VAN WHEEL BASE 2		
	4 = TRUCK	51 = WAGON WHEEL BASE 1		
		52 = WAGON WHEEL BASE 2		
		14 = VAN WHEEL BASE 4		
		15 = VAN WHEEL BASE 5		
		54 = WAGON WHEEL BASE 4		
		55 = WAGON WHEEL BASE 5		
		56 = WAGON WHEEL BASE 6		
		16 = VAN WHEEL BASE 6		

AR = use ase required - = Non illustrated part

2006 VA

Front Floor Pan
Figure SVA-210



ITEM	PART NUMBER	QTY	LINE	SERIES	BODY	ENGINE	TRANS	TRIM	DESCRIPTION
	05119269AA	1	2, 6		01, 02, 06				
		1	2, 6		11, 12, 14, 15, 16				
		1	2, 6		51, 52, 54, 55, 56				
		1	3, 7		02, 06				
		1	3, 7		12, 15, 16				
5									PAD, Floor Pan
	05121494AA	1	2, 6		01, 02, 06				Left
		1	2, 6		11, 12, 14, 15, 16				Left
		1	2, 6		51, 52, 54, 55, 56				Left
		1	3, 7		02, 06				Left
		1	3, 7		12, 15, 16				Left
	05121495AA	1	2, 6		01, 02, 06				Right
		1	2, 6		11, 12, 14, 15, 16				Right
		1	2, 6		51, 52, 54, 55, 56				Right
		1	3, 7		02, 06				Right
		1	3, 7		12, 15, 16				Right
6									RIVET
	05133847AA	99	2, 6		01, 02, 06				
		99	2, 6		11, 12, 14, 15, 16				
		99	2, 6		51, 52, 54, 55, 56				
		99	3, 7		02, 06				
		99	3, 7		12, 15, 16				

SPRINTER (VA)

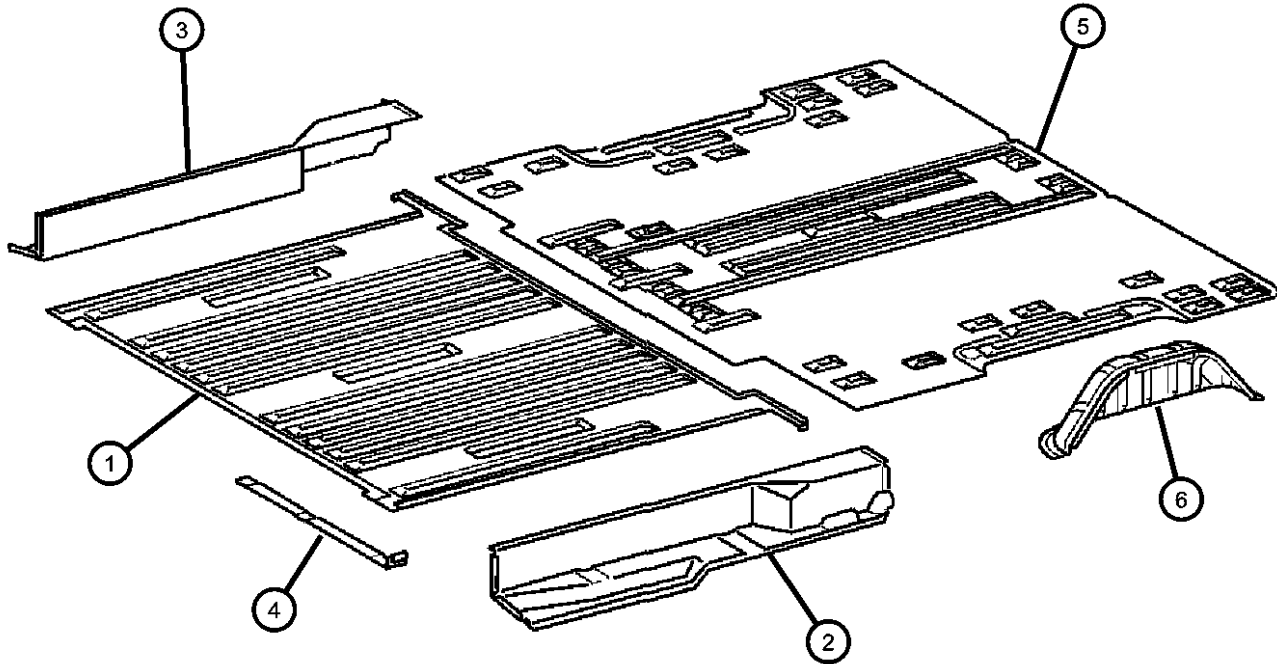
SERIES	LINE	BODY	ENGINE	TRANSMISSION
L = LOWLINE	3 = HD DODGE 2WD 8 = HD DODGE 4WD 6 = Lt. Duty DODGE 4WD 2 = Med. Duty DODGE 2WD 7 = Med. Duty DODGE 4WD 4 = TRUCK	01 = CHASSIS FORWARD CONTROL W.B.1 02 = CAB CHASSIS WHEEL BASE 2 06 = CAB CHASSIS WHEEL BASE 6 11 = VAN WHEEL BASE 1 12 = VAN WHEEL BASE 2 51 = WAGON WHEEL BASE 1 52 = WAGON WHEEL BASE 2 14 = VAN WHEEL BASE 4 15 = VAN WHEEL BASE 5 54 = WAGON WHEEL BASE 4 55 = WAGON WHEEL BASE 5 56 = WAGON WHEEL BASE 6 16 = VAN WHEEL BASE 6	EX8 = 2.7L I5 Turbo Diesel Engine EX9 = 2.7L I5 Mercedes-Benz TD Engine	DGJ = 5-Speed Automatic MB Transmission DGZ = 4-Spd. Automatic MT643 Transmission

AR = use ase required - = Non illustrated part

**Rear Floor Pan
Figure SVA-220**

ITEM	PART NUMBER	QTY	LINE	SERIES	BODY	ENGINE	TRANS	TRIM	DESCRIPTION
------	-------------	-----	------	--------	------	--------	-------	------	-------------

Sales Codes:
 [CKZ] = Floor Covering, Rubber
 [CWC] = Cargo Partition
 [GKA] = Right Sliding Door
 [GKE] = Left Sliding Door



1									PAN, Center Floor
	05121536AA	1	2, 6		51, 52, 54, 55, 56				[GKE], Left Door Sliding
		1	2, 6		11, 12, 14, 15, 16				[GKE], Left Door Sliding
		1	3, 7		12, 15, 16				[GKE], Left Door Sliding
	05121540AA	1	2, 6		11, 12, 14, 15, 16				[GKE], Left Door Sliding & [GKA], Right Door Sliding
		1	2, 6		51, 52, 54, 55, 56				[GKE], Left Door Sliding & [GKA], Right Door Sliding
		1	3, 7		12, 15, 16				[GKE], Left Door Sliding & [GKA], Right Door Sliding
	05121544AA	1	2, 6		11, 12, 14, 15, 16				[GKA], Right Door Sliding
		1	2, 6		51, 52, 54, 55, 56				[GKA], Right Door Sliding
		1	3, 7		12, 15, 16				[GKA], Right Door Sliding
	05121546AA	1	2, 6		11, 12, 14, 15, 16				[CWC], With Cargo Partition
		1	3, 7		12, 15, 16				[CWC], With Cargo Partition
2									PANEL, Side Step Well, Left
	05121457AA	1	2, 6		11, 12, 14, 15, 16				[GKE], Left Door Sliding
		1	2, 6		51, 52, 54, 55, 56				[GKE], Left Door Sliding
		1	3, 7		12, 15, 16				[GKE], Left Door Sliding
	05121461AA	1	2, 6		11, 12, 14, 15, 16				[GKE], Left Door Sliding & [CKZ], Floor Covering, Rubber
		1	2, 6		51, 52, 54, 55, 56				[GKE], Left Door Sliding & [CKZ], Floor Covering, Rubber

SPRINTER (VA)

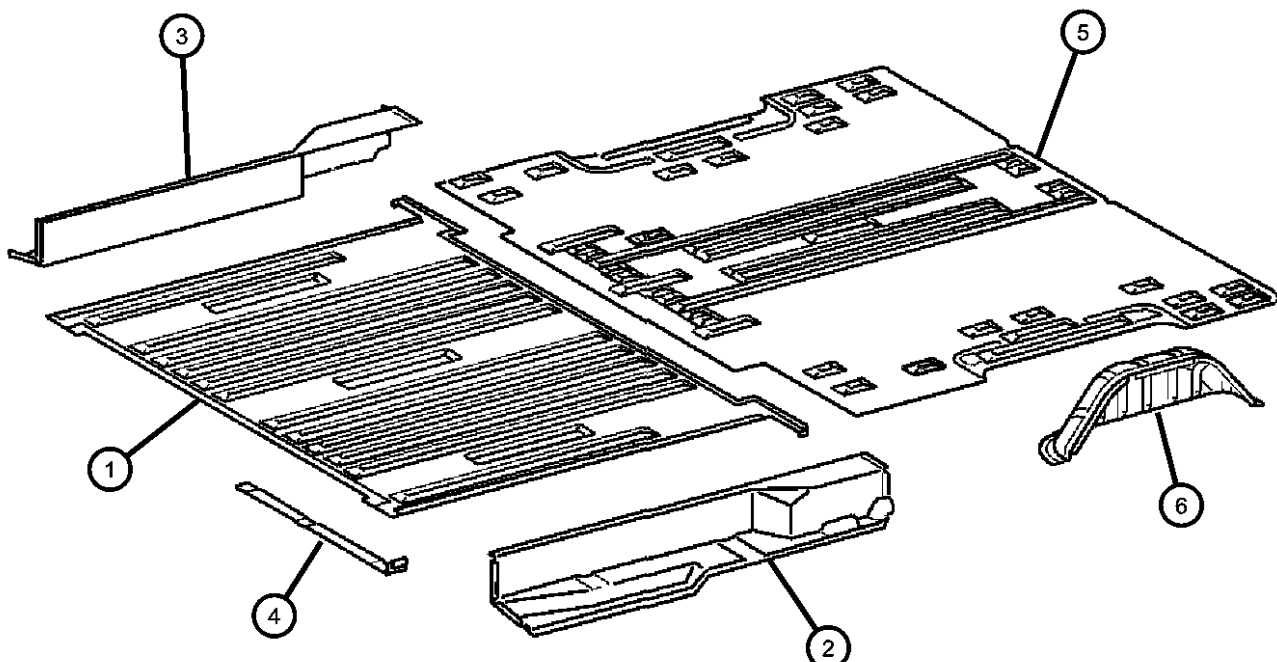
SERIES	LINE	BODY	ENGINE	TRANSMISSION
L = LOWLINE	3 = HD DODGE 2WD 8 = HD DODGE 4WD 6 = Lt. Duty DODGE 4WD 2 = Med. Duty DODGE 2WD 7 = Med. Duty DODGE 4WD 4 = TRUCK	01 = CHASSIS FORWARD CONTROL W.B.1 02 = CAB CHASSIS WHEEL BASE 2 06 = CAB CHASSIS WHEEL BASE 6 11 = VAN WHEEL BASE 1 12 = VAN WHEEL BASE 2 51 = WAGON WHEEL BASE 1 52 = WAGON WHEEL BASE 2 14 = VAN WHEEL BASE 4 15 = VAN WHEEL BASE 5 54 = WAGON WHEEL BASE 4 55 = WAGON WHEEL BASE 5 56 = WAGON WHEEL BASE 6 16 = VAN WHEEL BASE 6	EX8 = 2.7L I5 Turbo Diesel Engine EX9 = 2.7L I5 Mercedes-Benz TD Engine	DGJ = 5-Speed Automatic MB Transmission DGZ = 4-Spd. Automatic MT643 Transmission

AR = use ase required - = Non illustrated part

2006 VA

Rear Floor Pan
Figure SVA-220

ITEM	PART NUMBER	QTY	LINE	SERIES	BODY	ENGINE	TRANS	TRIM	DESCRIPTION
		1	3, 7		12, 15, 16				[GKE], Left Door Sliding & [CKZ], Floor Covering, Rubber
3									PANEL, Side Step Well, Right
	05104158AA	1	2, 6		11, 12, 14, 15, 16				[GKA], Right Door Sliding
		1	2, 6		51, 52, 54, 55, 56				[GKA], Right Door Sliding
		1	3, 7		12, 15, 16				[GKA], Right Door Sliding
	05121464AA	1	2, 6		11, 12, 14, 15, 16				[GKA], Right Door Sliding & [CKZ], Floor Covering, Rubber
		1	2, 6		51, 52, 54, 55, 56				[GKA], Right Door Sliding & [CKZ], Floor Covering, Rubber
		1	3, 7		12, 15, 16				[GKA], Right Door Sliding & [CKZ], Floor Covering, Rubber
4									BRACKET, Floor Pan, In Front of Central Entrance
	05121501AA	2	2, 6		11, 12, 14, 15, 16				
		2	3, 7		12, 15, 16				
		2	2, 6		51, 52, 54, 55, 56				
5									PAN, Rear Floor
	05104565AA	1	2, 6		56				158 Inch Wheelbase
	05121474AA	1	3, 7		12, 15				140 Inch Wheelbase
	05121476AA	1	3, 7		16				158 Inch Wheelbase
	05121561AA	1	2, 6		12, 15				140 Inch Wheelbase
		1	2, 6		52, 55				140 Inch Wheelbase
	05121563AA	1	2, 6		11, 14				118 Inch Wheelbase
		1	2, 6		51, 54				118 Inch Wheelbase
6									PANEL, Wheelhouse
	05104162AA	2	3, 7		12, 15, 16				



SPRINTER (VA)

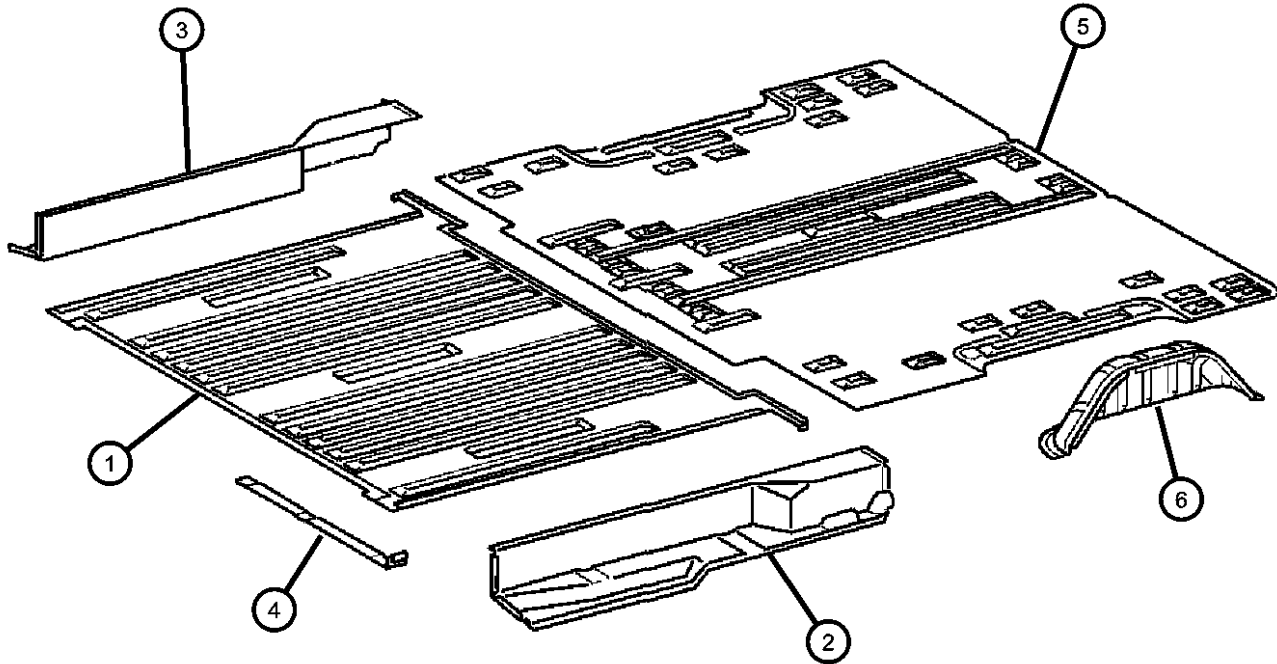
SERIES	LINE	BODY	ENGINE	TRANSMISSION
L = LOWLINE	3 = HD DODGE 2WD 8 = HD DODGE 4WD 6 = Lt. Duty DODGE 4WD 2 = Med. Duty DODGE 2WD 7 = Med. Duty DODGE 4WD 4 = TRUCK	01 = CHASSIS FORWARD CONTROL W.B.1 02 = CAB CHASSIS WHEEL BASE 2 06 = CAB CHASSIS WHEEL BASE 6 11 = VAN WHEEL BASE 1 12 = VAN WHEEL BASE 2 51 = WAGON WHEEL BASE 1 52 = WAGON WHEEL BASE 2 14 = VAN WHEEL BASE 4 15 = VAN WHEEL BASE 5 54 = WAGON WHEEL BASE 4 55 = WAGON WHEEL BASE 5 56 = WAGON WHEEL BASE 6 16 = VAN WHEEL BASE 6	EX8 = 2.7L I5 Turbo Diesel Engine EX9 = 2.7L I5 Mercedes-Benz TD Engine	DGJ = 5-Speed Automatic MB Transmission DGZ = 4-Spd. Automatic MT643 Transmission

AR = use ase required - = Non illustrated part

Rear Floor Pan
Figure SVA-220

ITEM	PART NUMBER	QTY	LINE	SERIES	BODY	ENGINE	TRANS	TRIM	DESCRIPTION
------	-------------	-----	------	--------	------	--------	-------	------	-------------

		2	2, 6		11, 12, 14, 15, 16				
		2	2, 6		51, 52, 54, 55, 56				

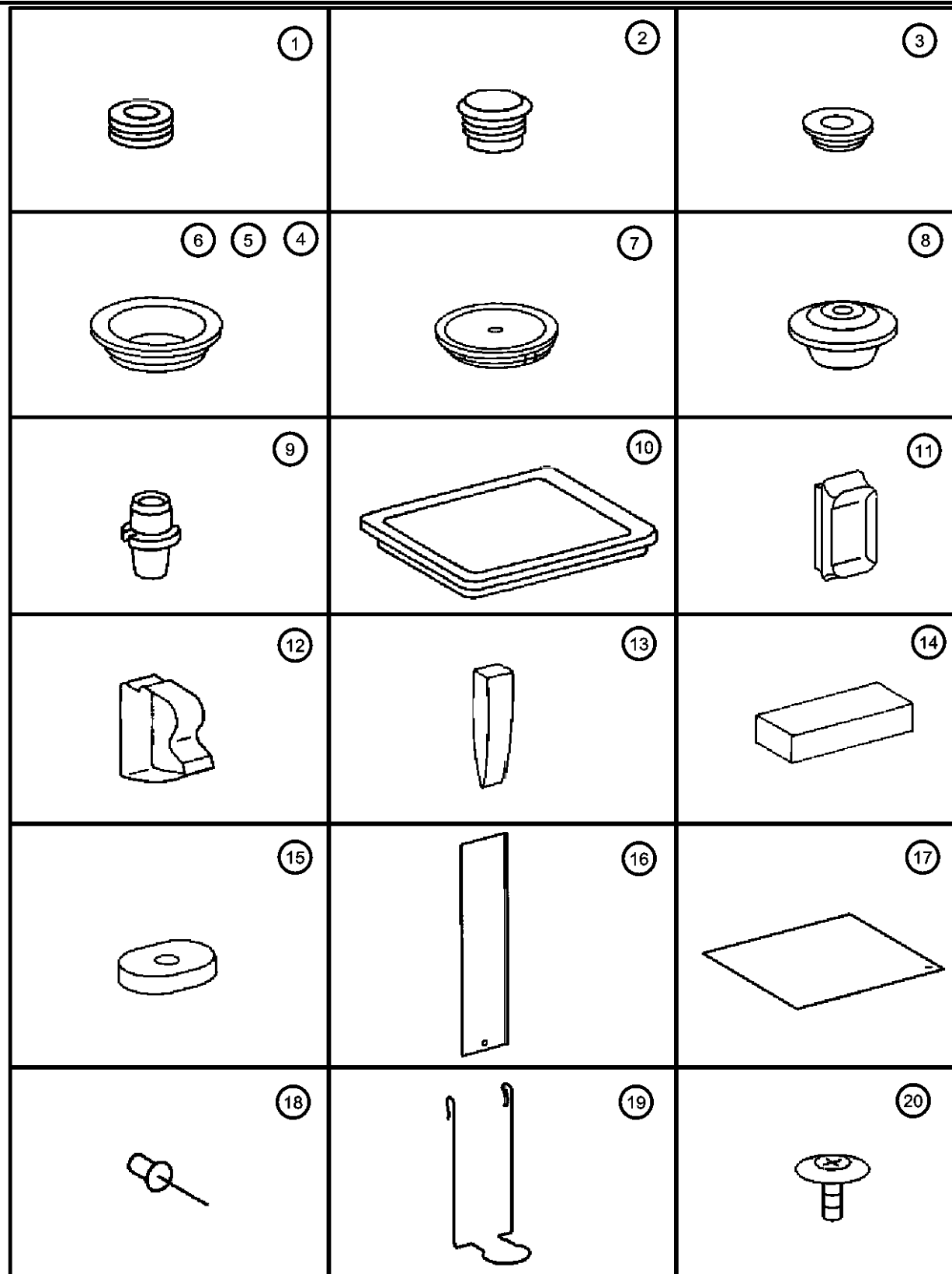


SPRINTER (VA)

SERIES	LINE	BODY	ENGINE	TRANSMISSION
L = LOWLINE	3 = HD DODGE 2WD 8 = HD DODGE 4WD 6 = Lt. Duty DODGE 4WD 2 = Med. Duty DODGE 2WD 7 = Med. Duty DODGE 4WD 4 = TRUCK	01 = CHASSIS FORWARD CONTROL W.B.1 02 = CAB CHASSIS WHEEL BASE 2 06 = CAB CHASSIS WHEEL BASE 6 11 = VAN WHEEL BASE 1 12 = VAN WHEEL BASE 2 51 = WAGON WHEEL BASE 1 52 = WAGON WHEEL BASE 2 14 = VAN WHEEL BASE 4 15 = VAN WHEEL BASE 5 54 = WAGON WHEEL BASE 4 55 = WAGON WHEEL BASE 5 56 = WAGON WHEEL BASE 6 16 = VAN WHEEL BASE 6	EX8 = 2.7L I5 Turbo Diesel Engine EX9 = 2.7L I5 Mercedes-Benz TD Engine	DGJ = 5-Speed Automatic MB Transmission DGZ = 4-Spd. Automatic MT643 Transmission

AR = use ase required - = Non illustrated part

**Plugs
Figure SVA-310**



ITEM	PART NUMBER	QTY	LINE	SERIES	BODY	ENGINE	TRANS	TRIM	DESCRIPTION
1	05133557AA	1	2, 6		01, 02, 06				PLUG, Expansion, Dash Panel, Engine Compartment
		1	2, 6		11, 12, 14, 15, 16				
		1	2, 6		51, 52, 54, 55, 56				
2	05133657AA	1	3, 7		12, 15, 16				PLUG, Body, Water Drain, 22mm
	05125994AA	2	2, 6		01, 02, 06				
		2	2, 6		11, 12, 14, 15, 16				
		2	2, 6		51, 52, 54, 55, 56				
		2	3, 7		02, 06				
		2	3, 7		12, 15, 16				
3	05098417AA	1	2, 6		11, 12, 14, 15, 16				PLUG, Door Contact Switch
		2	2, 6		51, 52, 54, 55, 56				
		2	3, 7		12, 15, 16				
4	05098441AA	2	3, 7		12, 15, 16				PLUG, W/S Washer Reservoir Hole
		2	2, 6		11, 12, 14, 15, 16				
5	05125511AA	2	2, 6		11, 12, 14, 15, 16				GROMMET, Body
		2	3, 7		12, 15, 16				
6	05098415AA	4	2, 6		01, 02, 06				PLUG, Body
		8	2, 6		12, 15				

SPRINTER (VA)

SERIES

L = LOWLINE

LINE

3 = HD DODGE 2WD
 8 = HD DODGE 4WD
 6 = Lt. Duty DODGE 4WD
 2 = Med. Duty DODGE 2WD
 7 = Med. Duty DODGE 4WD
 4 = TRUCK

BODY

01 = CHASSIS FORWARD CONTROL W.B.1
 02 = CAB CHASSIS WHEEL BASE 2
 06 = CAB CHASSIS WHEEL BASE 6
 11 = VAN WHEEL BASE 1
 12 = VAN WHEEL BASE 2
 51 = WAGON WHEEL BASE 1
 52 = WAGON WHEEL BASE 2
 14 = VAN WHEEL BASE 4
 15 = VAN WHEEL BASE 5
 54 = WAGON WHEEL BASE 4
 55 = WAGON WHEEL BASE 5
 56 = WAGON WHEEL BASE 6
 16 = VAN WHEEL BASE 6

ENGINE

EX8 = 2.7L I5 Turbo Diesel Engine
 EX9 = 2.7L I5 Mercedes-Benz TD Engine

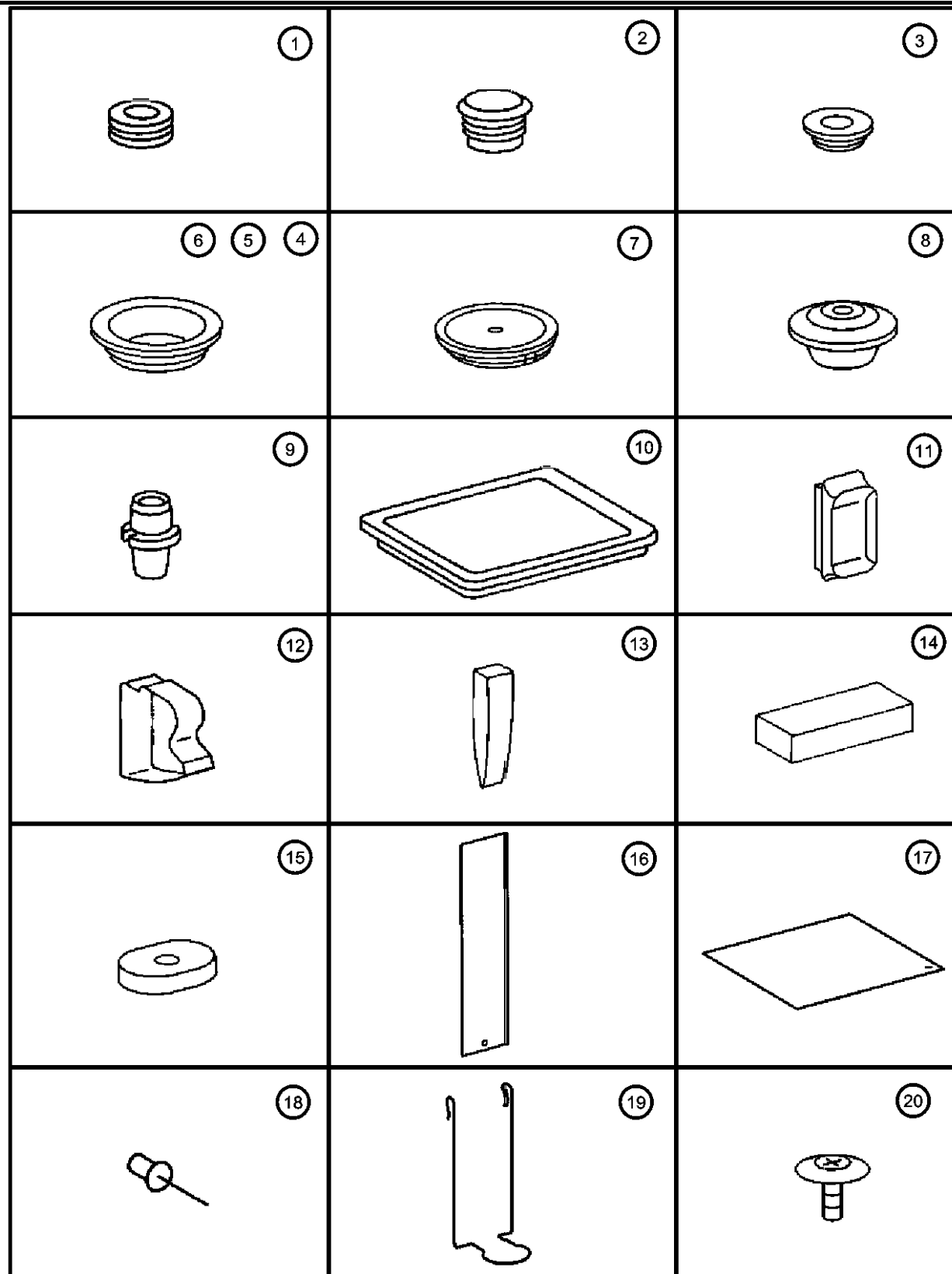
TRANSMISSION

DGJ = 5-Speed Automatic MB Transmission
 DGZ = 4-Spd. Automatic MT643 Transmission

AR = use ase required - = Non illustrated part

2006 VA

Plugs
Figure SVA-310



ITEM	PART NUMBER	QTY	LINE	SERIES	BODY	ENGINE	TRANS	TRIM	DESCRIPTION
		6	2, 6		11, 14				
		8	2, 6		52, 55				
		6	2, 6		51, 54				
		4	3, 7		02, 06				
		8	3, 7		12, 15				
		6	3, 7		16				
7	05125518AA	6	2, 6		12, 15				PLUG, Body, [89mm]
		4	2, 6		11, 14				
		12	2, 6		16				
		6	2, 6		51, 54				
		6	2, 6		52, 55				
		12	2, 6		56				
		6	3, 7		12, 15				
		12	3, 7		16				
8	05103947AA	2	2, 6		11, 12, 14, 15, 16				PLUG
		2	2, 6		51, 52, 54, 55, 56				
		2	3, 7		12, 15, 16				
9	05133556AA	2	2, 6		11, 12, 14, 15, 16				DRAIN SPOUT, Drain Tube, [13mm]
		2	2, 6		51, 52, 54, 55, 56				
		2	3, 7		02, 06				
		2	3, 7		12, 15, 16				
		2	2, 6		01, 02, 06				

SPRINTER (VA)

SERIES

L = LOWLINE

LINE

3 = HD DODGE 2WD
8 = HD DODGE 4WD
6 = Lt. Duty DODGE 4WD
2 = Med. Duty DODGE 2WD
7 = Med. Duty DODGE 4WD
4 = TRUCK

BODY

01 = CHASSIS FORWARD CONTROL W.B.1
02 = CAB CHASSIS WHEEL BASE 2
06 = CAB CHASSIS WHEEL BASE 6
11 = VAN WHEEL BASE 1
12 = VAN WHEEL BASE 2
51 = WAGON WHEEL BASE 1
52 = WAGON WHEEL BASE 2
14 = VAN WHEEL BASE 4
15 = VAN WHEEL BASE 5
54 = WAGON WHEEL BASE 4
55 = WAGON WHEEL BASE 5
56 = WAGON WHEEL BASE 6
16 = VAN WHEEL BASE 6

ENGINE

EX8 = 2.7L I5 Turbo Diesel Engine
EX9 = 2.7L I5 Mercedes-Benz TD Engine

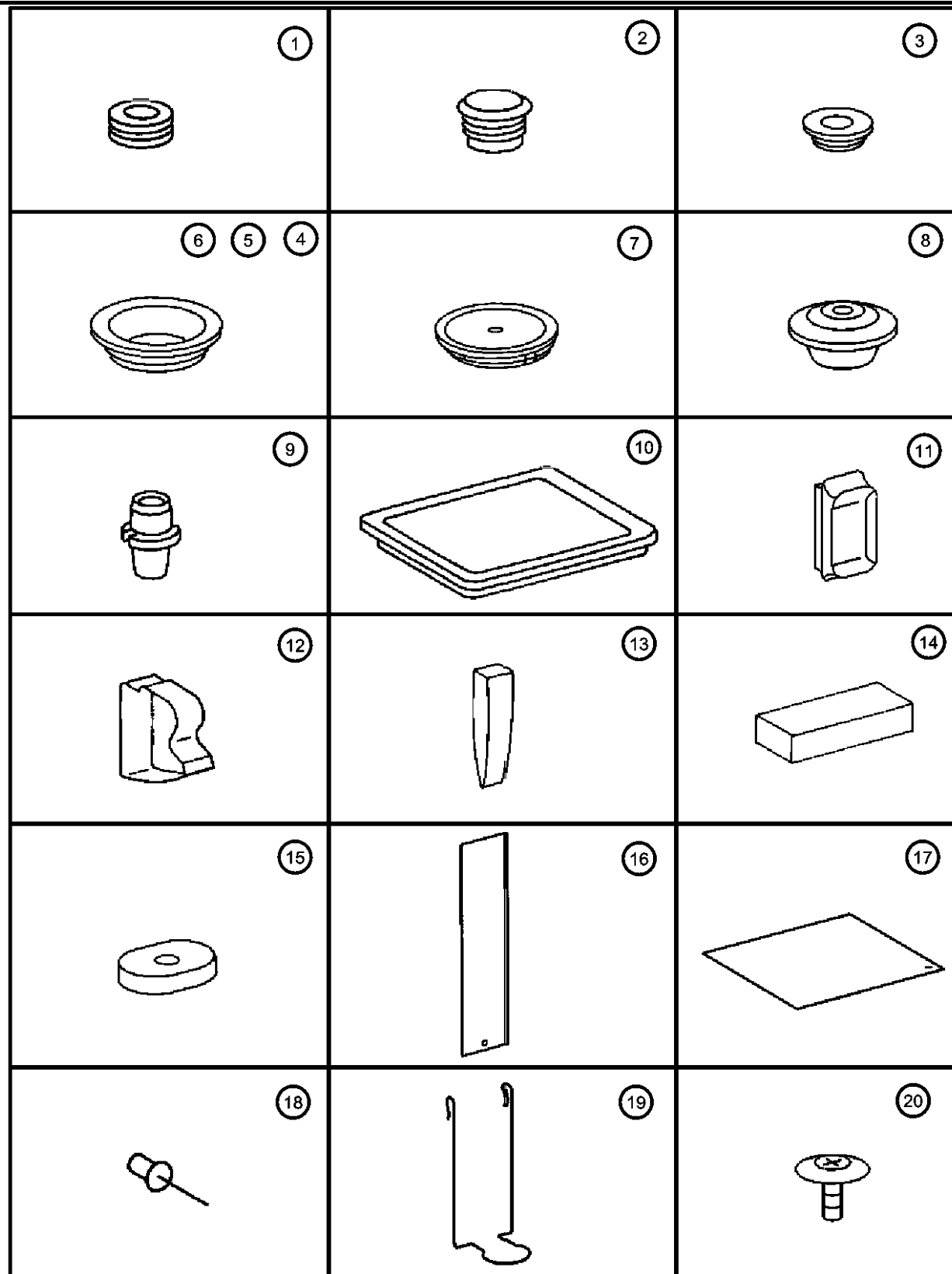
TRANSMISSION

DGJ = 5-Speed Automatic MB Transmission
DGZ = 4-Spd. Automatic MT643 Transmission

AR = use ase required - = Non illustrated part

2006 VA

Plugs
Figure SVA-310



ITEM	PART NUMBER	QTY	LINE	SERIES	BODY	ENGINE	TRANS	TRIM	DESCRIPTION
10	05126003AA	2	2, 6		11, 12, 14, 15, 16				PLUG, Body, Water Drain
		2	2, 6		51, 52, 54, 55, 56				
		1	3, 7		12, 15, 16				
11	05125514AA	4	2, 6		11, 12, 14, 15, 16				PLUG, Expansion
		4	2, 6		51, 52, 54, 55, 56				
		4	3, 7		12, 15, 16				
12	05124765AA	2	2, 6		01, 02, 06				SEAL
		2	3, 7		02, 06				
		4	3, 7		12, 15, 16				
		4	2, 6		11, 12, 14, 15, 16				
		4	2, 6		51, 52, 54, 55, 56				
13	05124768AA	2	2, 6		11, 12, 14, 15, 16				SEAL
		2	2, 6		51, 52, 54, 55, 56				
		2	3, 7		12, 15, 16				
14	05124771AA	1	2, 6		01, 02, 06				SEAL, B-Pillar, Right
		1	2, 6		11, 12, 14, 15, 16				
		1	2, 6		51, 52, 54, 55, 56				
		1	3, 7		02, 06				

SPRINTER (VA)

SERIES

L = LOWLINE

LINE

3 = HD DODGE 2WD
8 = HD DODGE 4WD
6 = Lt. Duty DODGE 4WD
2 = Med. Duty DODGE 2WD
7 = Med. Duty DODGE 4WD
4 = TRUCK

BODY

01 = CHASSIS FORWARD CONTROL W.B.1
02 = CAB CHASSIS WHEEL BASE 2
06 = CAB CHASSIS WHEEL BASE 6
11 = VAN WHEEL BASE 1
12 = VAN WHEEL BASE 2
51 = WAGON WHEEL BASE 1
52 = WAGON WHEEL BASE 2
14 = VAN WHEEL BASE 4
15 = VAN WHEEL BASE 5
54 = WAGON WHEEL BASE 4
55 = WAGON WHEEL BASE 5
56 = WAGON WHEEL BASE 6
16 = VAN WHEEL BASE 6

ENGINE

EX8 = 2.7L I5 Turbo Diesel Engine
EX9 = 2.7L I5 Mercedes-Benz TD Engine

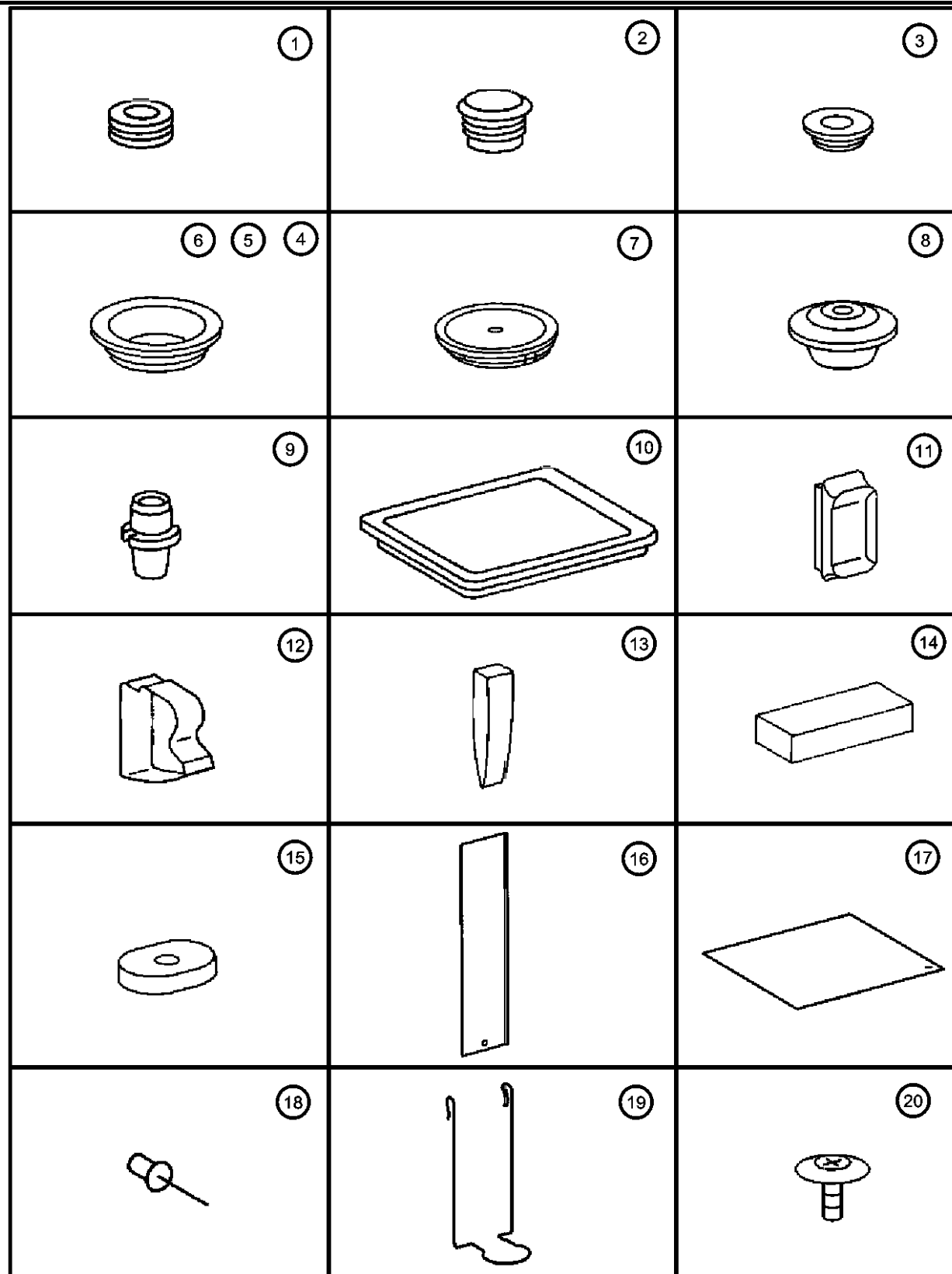
TRANSMISSION

DGJ = 5-Speed Automatic MB Transmission
DGZ = 4-Spd. Automatic MT643 Transmission

AR = use ase required - = Non illustrated part

2006 VA

Plugs
Figure SVA-310

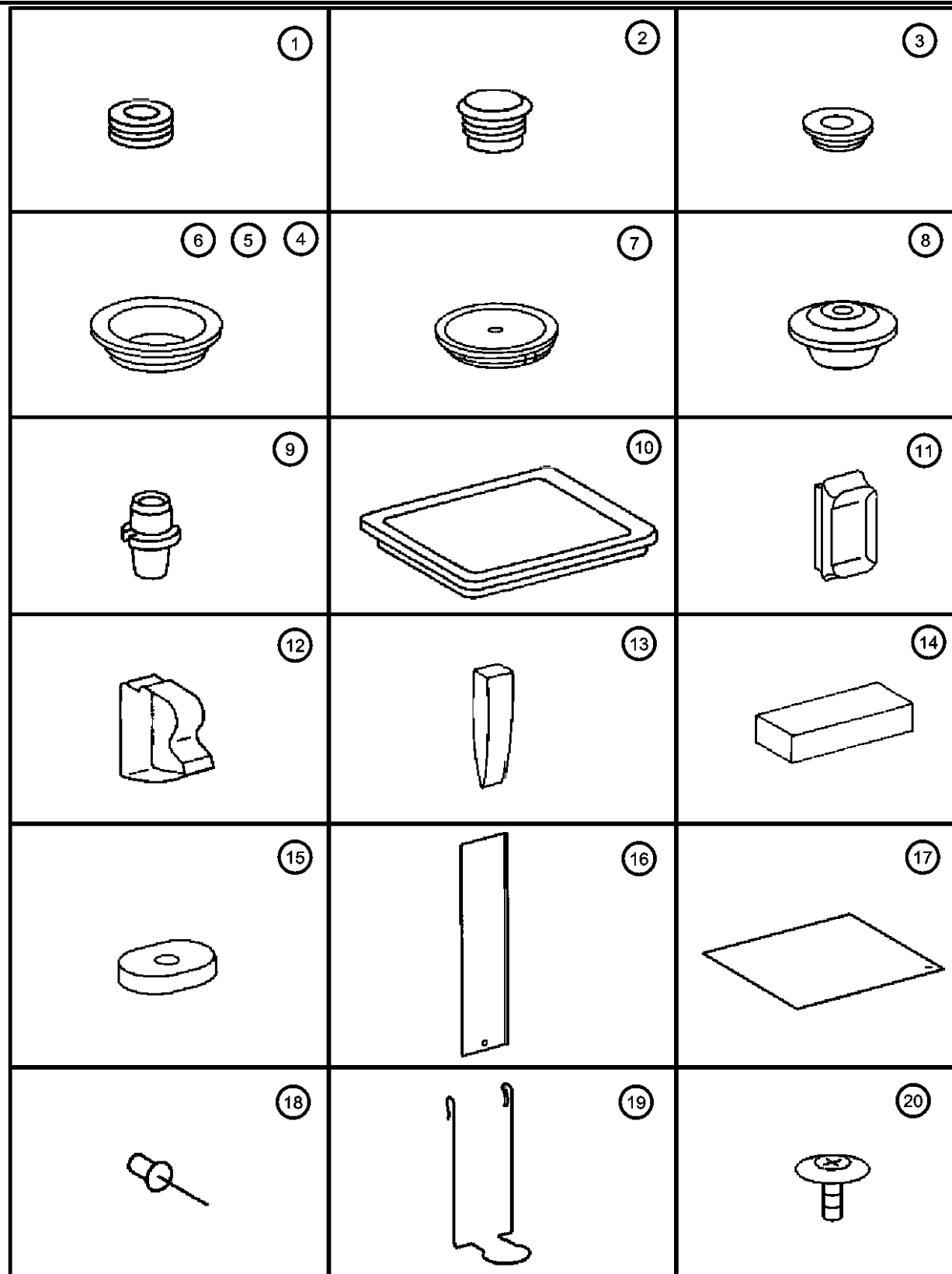


ITEM	PART NUMBER	QTY	LINE	SERIES	BODY	ENGINE	TRANS	TRIM	DESCRIPTION
15	05124774AA	1	3, 7		12, 15, 16				GROMMET
		1	2, 6		01, 02, 06				Oval Shape
		1	2, 6		11, 12, 14, 15, 16				Oval Shape
		1	3, 7		02, 06				Circular Solid
		1	2, 6		51, 52, 54, 55, 56				Oval Shape
		1	3, 7		02, 06				Oval Shape
		1	3, 7		12, 15, 16				Oval Shape
		1	2, 6		01, 02, 06				Circular Solid
		1	2, 6		11, 12, 14, 15, 16				Circular Solid
		1	2, 6		51, 52, 54, 55, 56				Circular Solid
16	05124777AA	1	3, 7		12, 15, 16				Circular Solid
		1	2, 6		01, 02, 06				Circular With Hole
		1	2, 6		11, 12, 14, 15, 16				Circular With Hole
		1	2, 6		51, 52, 54, 55, 56				Circular With Hole
		1	3, 7		02, 06				Circular With Hole
		1	3, 7		12, 15, 16				Circular With Hole
17	05122651AA	1	2, 6		01, 02, 06				COVER, Cable Guide Duct
		1	3, 7		02, 06				
		1	3, 7		12, 15, 16				
		1	2, 6		11, 12, 14, 15, 16				
		1	2, 6		51, 52, 54, 55, 56				COVER, Cable Guide Duct

SPRINTER (VA)				
SERIES	LINE	BODY	ENGINE	TRANSMISSION
L = LOWLINE	3 = HD DODGE 2WD 8 = HD DODGE 4WD 6 = Lt. Duty DODGE 4WD 2 = Med. Duty DODGE 2WD 7 = Med. Duty DODGE 4WD 4 = TRUCK	01 = CHASSIS FORWARD CONTROL W.B.1 02 = CAB CHASSIS WHEEL BASE 2 06 = CAB CHASSIS WHEEL BASE 6 11 = VAN WHEEL BASE 1 12 = VAN WHEEL BASE 2 51 = WAGON WHEEL BASE 1 52 = WAGON WHEEL BASE 2 14 = VAN WHEEL BASE 4 15 = VAN WHEEL BASE 5 54 = WAGON WHEEL BASE 4 55 = WAGON WHEEL BASE 5 56 = WAGON WHEEL BASE 6 16 = VAN WHEEL BASE 6	EX8 = 2.7L I5 Turbo Diesel Engine EX9 = 2.7L I5 Mercedes-Benz TD Engine	DGJ = 5-Speed Automatic MB Transmission DGZ = 4-Spd. Automatic MT643 Transmission

AR = use ase required - = Non illustrated part

Plugs
Figure SVA-310

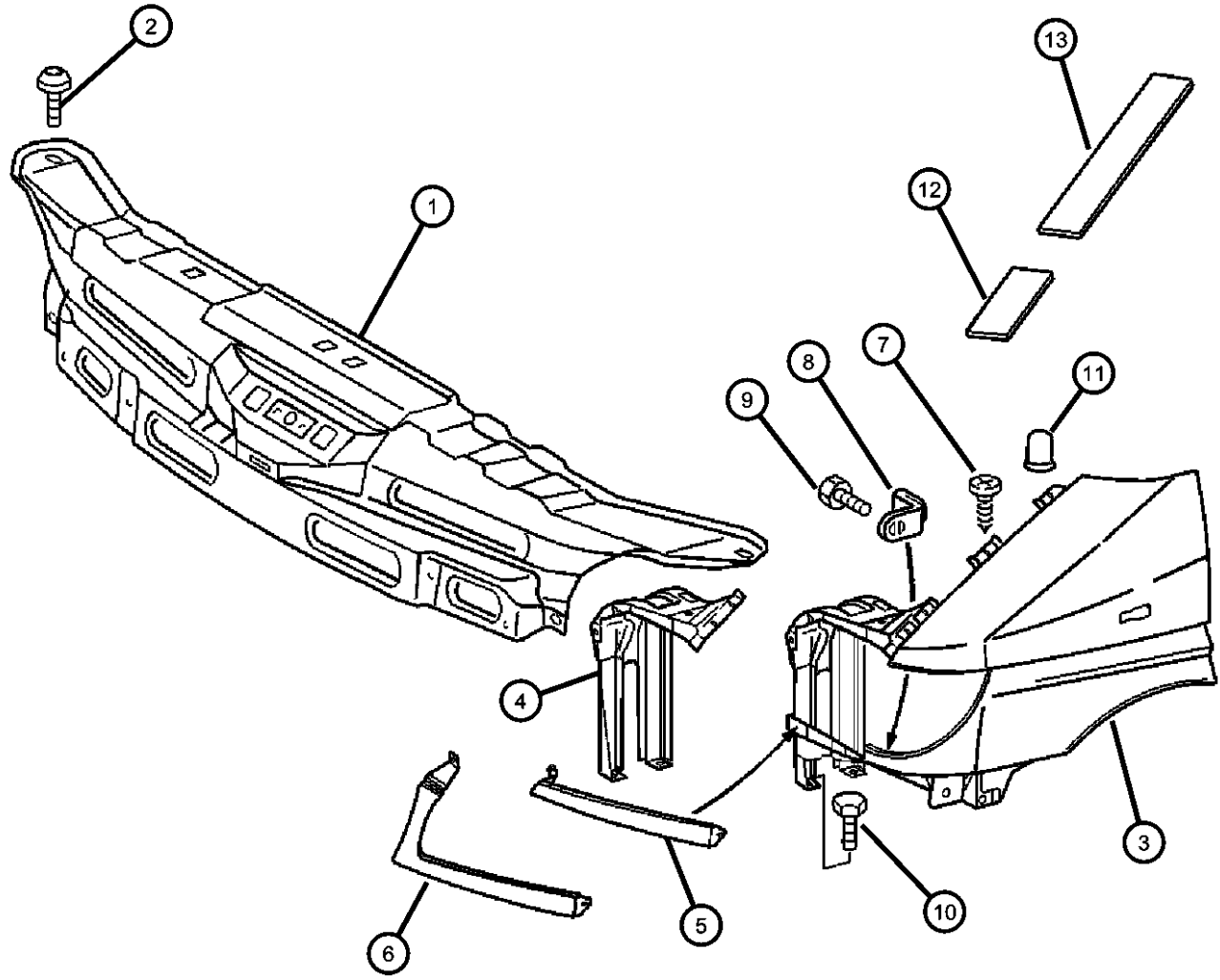


ITEM	PART NUMBER	QTY	LINE	SERIES	BODY	ENGINE	TRANS	TRIM	DESCRIPTION
	05122648AA	1	2, 6		01, 02, 06				
		1	2, 6		11, 12, 14, 15, 16				
		1	2, 6		51, 52, 54, 55, 56				
		1	3, 7		02, 06				
18		1	3, 7		12, 15, 16				
	05133417AA	3	2, 6		11, 12, 14, 15, 16				RIVET, Blind Bulb, Cable Guide Duct [4.0x8]
		3	2, 6		51, 52, 54, 55, 56				
		3	3, 7		02, 06				
		3	2, 6		01, 02, 06				
		3	3, 7		12, 15, 16				
19									
	05133558AA	2	2, 6		11, 12, 14, 15, 16				CLIP, Instrument Panel
		2	2, 6		51, 52, 54, 55, 56				
		1	3, 7		02, 06				
		1	3, 7		12, 15, 16				
20									
	05125982AA	1	3, 7		12, 15, 16				PLUG, Body
		1	2, 6		11, 12, 14, 15, 16				
		1	2, 6		51, 52, 54, 55, 56				

SPRINTER (VA)				
SERIES	LINE	BODY	ENGINE	TRANSMISSION
L = LOWLINE	3 = HD DODGE 2WD 8 = HD DODGE 4WD 6 = Lt. Duty DODGE 4WD 2 = Med. Duty DODGE 2WD 7 = Med. Duty DODGE 4WD 4 = TRUCK	01 = CHASSIS FORWARD CONTROL W.B.1 02 = CAB CHASSIS WHEEL BASE 2 06 = CAB CHASSIS WHEEL BASE 6 11 = VAN WHEEL BASE 1 12 = VAN WHEEL BASE 2 51 = WAGON WHEEL BASE 1 52 = WAGON WHEEL BASE 2 14 = VAN WHEEL BASE 4 15 = VAN WHEEL BASE 5 54 = WAGON WHEEL BASE 4 55 = WAGON WHEEL BASE 5 56 = WAGON WHEEL BASE 6 16 = VAN WHEEL BASE 6	EX8 = 2.7L I5 Turbo Diesel Engine EX9 = 2.7L I5 Mercedes-Benz TD Engine	DGJ = 5-Speed Automatic MB Transmission DGZ = 4-Spd. Automatic MT643 Transmission

AR = use ase required - = Non illustrated part

Front Fender
Figure SVA-410



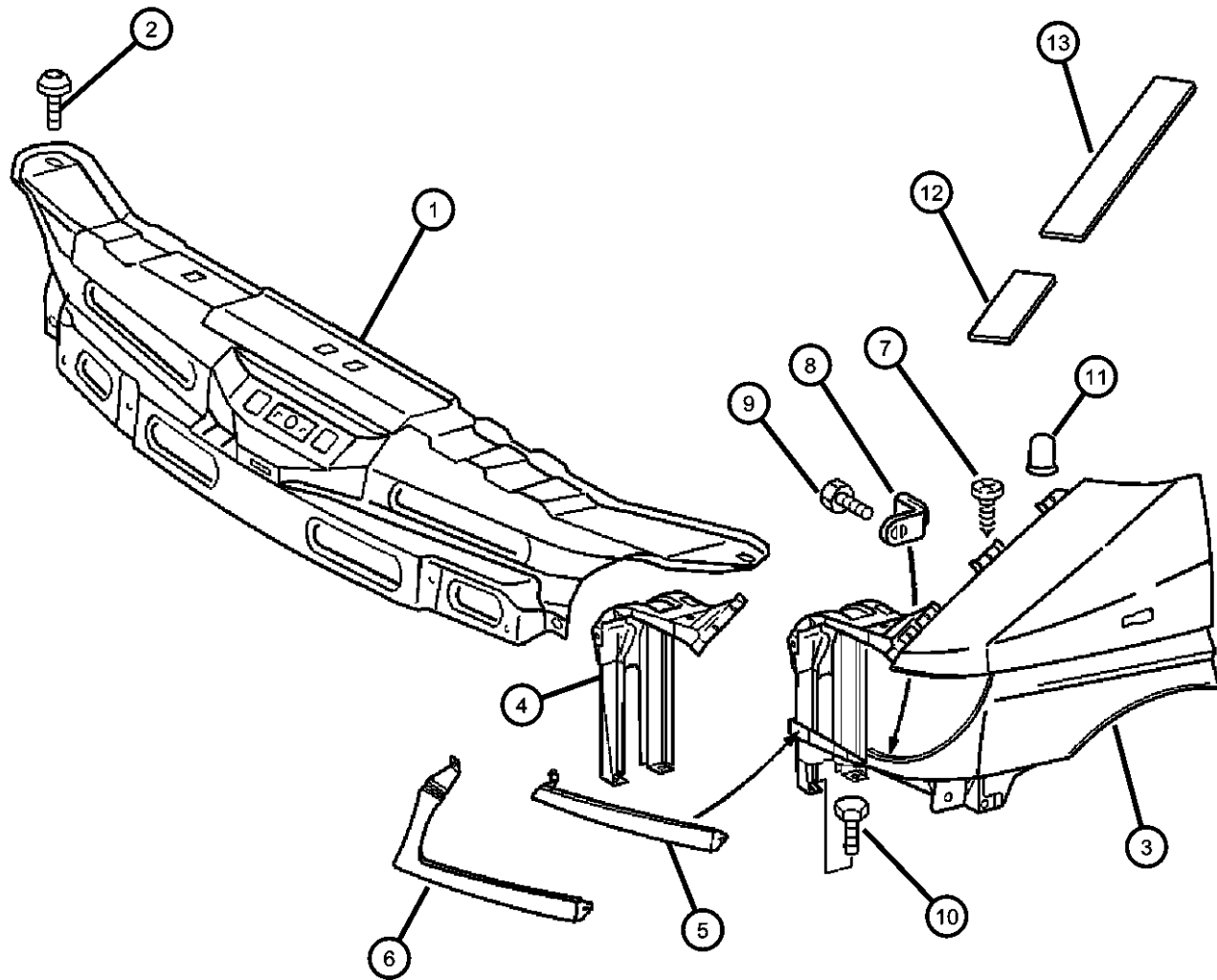
ITEM	PART NUMBER	QTY	LINE	SERIES	BODY	ENGINE	TRANS	TRIM	DESCRIPTION
1	05104504AA	1	2, 6		01, 02, 06				CROSSMEMBER, Radiator
		1	2, 6		11, 12, 14, 15, 16				
		1	2, 6		51, 52, 54, 55, 56				
		1	3, 7		02, 06				
		1	3, 7		12, 15, 16				
2	05103713AA	4	2, 6		01, 02, 06				SCREW
		4	2, 6		11, 12, 14, 15, 16				
		4	2, 6		51, 52, 54, 55, 56				
		4	3, 7		02, 06				
		4	3, 7		12, 15, 16				
3	05104180AA	1	2, 6		01, 02, 06				FENDER, Front
		1	2, 6		11, 12, 14, 15, 16				Left
		1	2, 6		51, 52, 54, 55, 56				Left
		1	3, 7		02, 06				Left
		1	3, 7		12, 15, 16				Left
	05104181AA	1	2, 6		01, 02, 06				Right
		1	2, 6		11, 12, 14, 15, 16				Right
		1	2, 6		51, 52, 54, 55, 56				Right
		1	3, 7		02, 06				Right
		1	3, 7		12, 15, 16				Right
4									SUPPORT, Radiator Closure Panel

SPRINTER (VA)

SERIES	LINE	BODY	ENGINE	TRANSMISSION
L = LOWLINE	3 = HD DODGE 2WD 8 = HD DODGE 4WD 6 = Lt. Duty DODGE 4WD 2 = Med. Duty DODGE 2WD 7 = Med. Duty DODGE 4WD 4 = TRUCK	01 = CHASSIS FORWARD CONTROL W.B.1 02 = CAB CHASSIS WHEEL BASE 2 06 = CAB CHASSIS WHEEL BASE 6 11 = VAN WHEEL BASE 1 12 = VAN WHEEL BASE 2 51 = WAGON WHEEL BASE 1 52 = WAGON WHEEL BASE 2 14 = VAN WHEEL BASE 4 15 = VAN WHEEL BASE 5 54 = WAGON WHEEL BASE 4 55 = WAGON WHEEL BASE 5 56 = WAGON WHEEL BASE 6 16 = VAN WHEEL BASE 6	EX8 = 2.7L I5 Turbo Diesel Engine EX9 = 2.7L I5 Mercedes-Benz TD Engine	DGJ = 5-Speed Automatic MB Transmission DGZ = 4-Spd. Automatic MT643 Transmission

AR = use ase required - = Non illustrated part

**Front Fender
Figure SVA-410**



ITEM	PART NUMBER	QTY	LINE	SERIES	BODY	ENGINE	TRANS	TRIM	DESCRIPTION
	05104165AA	1	2, 6		01, 02, 06				Left
		1	2, 6		11, 12, 14, 15, 16				Left
		1	2, 6		51, 52, 54, 55, 56				Left
		1	3, 7		02, 06				Left
		1	3, 7		12, 15, 16				Left
	05104169AA	1	2, 6		01, 02, 06				Right
		1	2, 6		11, 12, 14, 15, 16				Right
		1	2, 6		51, 52, 54, 55, 56				Right
		1	3, 7		02, 06				Right
		1	3, 7		12, 15, 16				Right
5	05104210AA	1	2		01, 02, 06				BEZEL, Headlamp, Dodge Left
		1	2		11, 12, 14, 15, 16				Left
		1	2		51, 52, 54, 55, 56				Left
		1	3		02, 06				
		1	3		12, 15, 16				
	05104213AA	1	2		01, 02, 06				Right
		1	2		11, 12, 14, 15, 16				Right
		1	2		51, 52, 54, 55, 56				Right
		1	3		02, 06				Right
		1	3		12, 15, 16				Right
6	05104216AA	1	6		01, 02, 06				BEZEL, Headlamp, Freightliner Left

SPRINTER (VA)

SERIES

L = LOWLINE
 3 = HD DODGE 2WD
 8 = HD DODGE 4WD
 6 = Lt. Duty DODGE 4WD
 2 = Med. Duty DODGE 2WD
 7 = Med. Duty DODGE 4WD
 4 = TRUCK

LINE

BODY

01 = CHASSIS FORWARD CONTROL W.B.1
 02 = CAB CHASSIS WHEEL BASE 2
 06 = CAB CHASSIS WHEEL BASE 6
 11 = VAN WHEEL BASE 1
 12 = VAN WHEEL BASE 2
 51 = WAGON WHEEL BASE 1
 52 = WAGON WHEEL BASE 2
 14 = VAN WHEEL BASE 4
 15 = VAN WHEEL BASE 5
 54 = WAGON WHEEL BASE 4
 55 = WAGON WHEEL BASE 5
 56 = WAGON WHEEL BASE 6
 16 = VAN WHEEL BASE 6

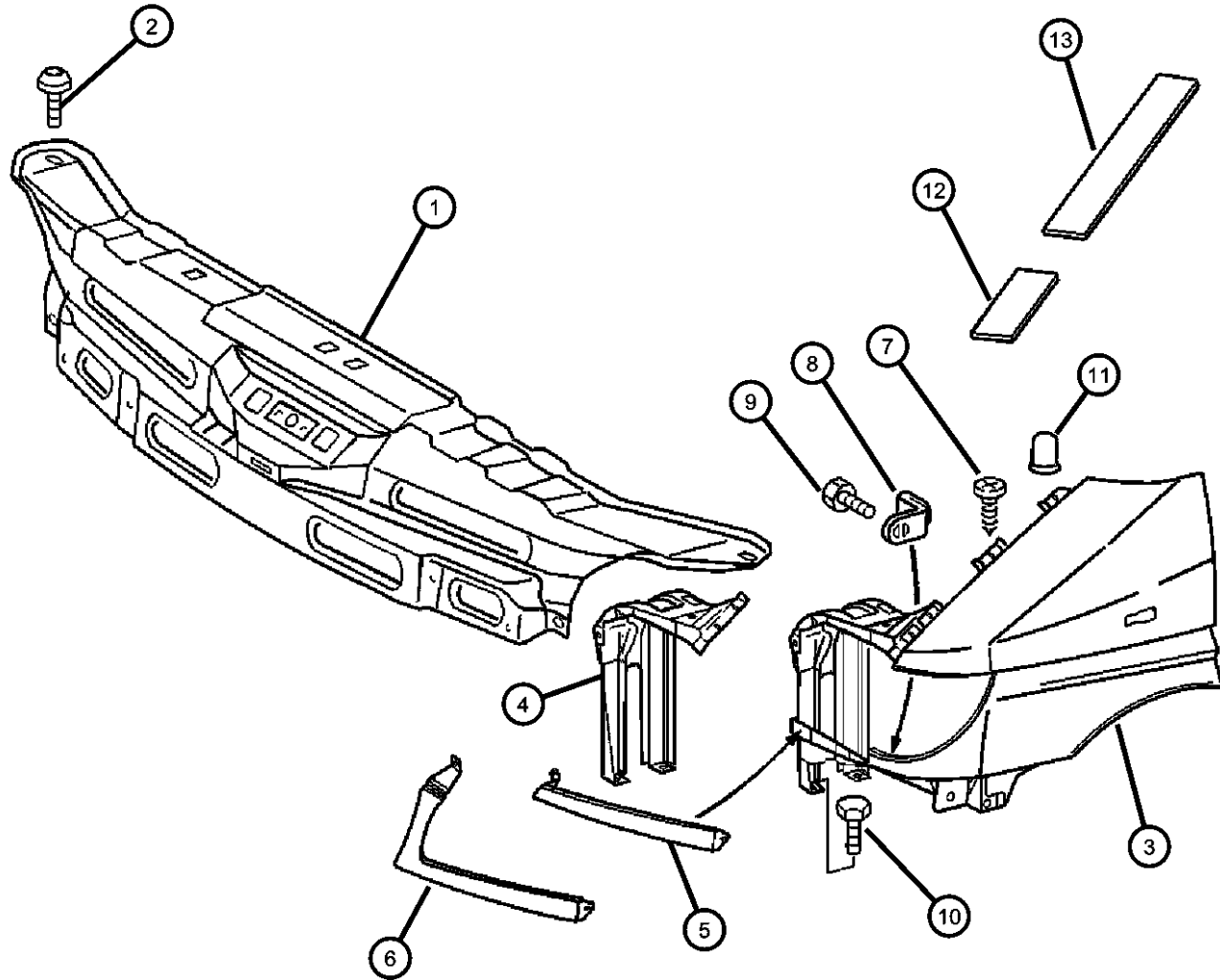
ENGINE

EX8 = 2.7L I5 Turbo Diesel Engine
 EX9 = 2.7L I5 Mercedes-Benz TD Engine

TRANSMISSION

DGJ = 5-Speed Automatic MB Transmission
 DGZ = 4-Spd. Automatic MT643 Transmission

Front Fender
Figure SVA-410



ITEM	PART NUMBER	QTY	LINE	SERIES	BODY	ENGINE	TRANS	TRIM	DESCRIPTION
		1	6		11, 12, 14, 15, 16				Left
		1	6		51, 52, 54, 55, 56				Right
		1	7		02, 06				Right
		1	7		12, 15, 16				Right
	05104217AA	1	6		01, 02, 06				Right
		1	6		11, 12, 14, 15, 16				Right
		1	6		51, 52, 54, 55, 56				Right
		1	7		02, 06				Right
		1	7		12, 15, 16				Right
7									SCREW
	06104581AA	7	2, 6		01, 02, 06				
		7	2, 6		11, 12, 14, 15, 16				
		7	2, 6		51, 52, 54, 55, 56				
		7	3, 7		02, 06				
		7	3, 7		12, 15, 16				
8									RETAINER
	05104527AA	1	2, 6		01, 02, 06				
		1	2, 6		11, 12, 14, 15, 16				
		1	2, 6		51, 52, 54, 55, 56				
		1	3, 7		02, 06				
		1	3, 7		12, 15, 16				
9									SCREW, Tapping
	06104574AA	3	2, 6		01, 02, 06				

SPRINTER (VA)

SERIES

L = LOWLINE

LINE

3 = HD DODGE 2WD
8 = HD DODGE 4WD
6 = Lt. Duty DODGE 4WD
2 = Med. Duty DODGE 2WD
7 = Med. Duty DODGE 4WD
4 = TRUCK

BODY

01 = CHASSIS FORWARD CONTROL W.B.1
02 = CAB CHASSIS WHEEL BASE 2
06 = CAB CHASSIS WHEEL BASE 6
11 = VAN WHEEL BASE 1
12 = VAN WHEEL BASE 2
51 = WAGON WHEEL BASE 1
52 = WAGON WHEEL BASE 2
14 = VAN WHEEL BASE 4
15 = VAN WHEEL BASE 5
54 = WAGON WHEEL BASE 4
55 = WAGON WHEEL BASE 5
56 = WAGON WHEEL BASE 6
16 = VAN WHEEL BASE 6

ENGINE

EX8 = 2.7L I5 Turbo Diesel Engine
EX9 = 2.7L I5 Mercedes-Benz TD Engine

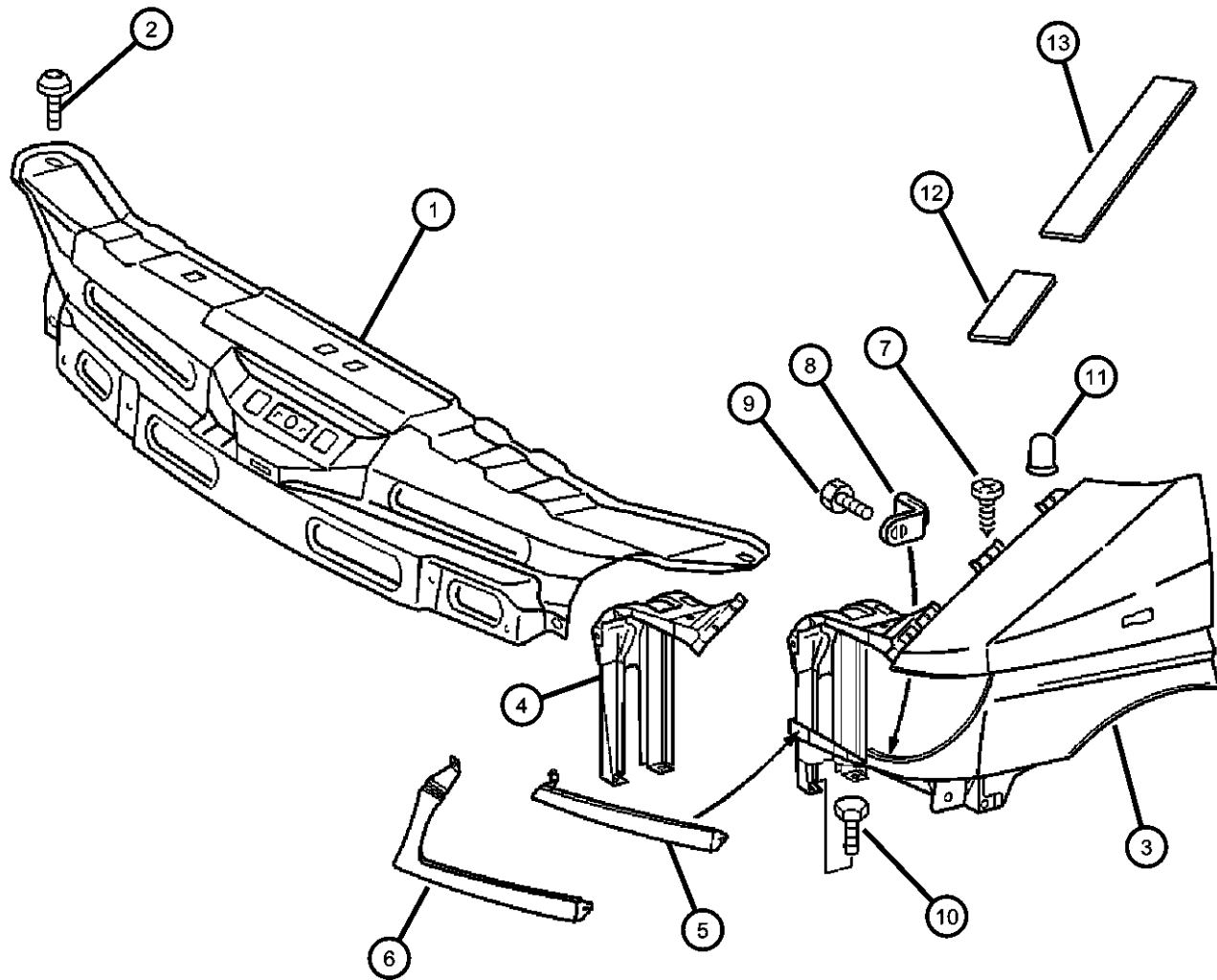
TRANSMISSION

DGJ = 5-Speed Automatic MB Transmission
DGZ = 4-Spd. Automatic MT643 Transmission

AR = use ase required - = Non illustrated part

2006 VA

Front Fender
Figure SVA-410



ITEM	PART NUMBER	QTY	LINE	SERIES	BODY	ENGINE	TRANS	TRIM	DESCRIPTION
		3	2, 6		11, 12, 14, 15, 16				
		3	2, 6		51, 52, 54, 55, 56				
		2	3, 7		12, 15, 16				
		2	3, 7		02, 06				
10									SCREW
	06104022AA	1	2, 6		01, 02, 06				
		1	2, 6		11, 12, 14, 15, 16				
		1	2, 6		51, 52, 54, 55, 56				
		1	3, 7		02, 06				
		1	3, 7		12, 15, 16				
11									CAP, Protective
	05104537AA	1	2, 6		01, 02, 06				
		1	2, 6		11, 12, 14, 15, 16				
		1	2, 6		51, 52, 54, 55, 56				
		1	3, 7		02, 06				
		1	3, 7		12, 15, 16				
12									SEAL, Fender To Cowl
	05121446AA	1	2, 6		01, 02, 06				
		1	2, 6		11, 12, 14, 15, 16				
		1	2, 6		51, 52, 54, 55, 56				
		1	3, 7		02, 06				
		1	3, 7		12, 15, 16				
13									SEAL, Fender To Cowl
	05121446AA	1	2, 6		01, 02, 06				

SPRINTER (VA)

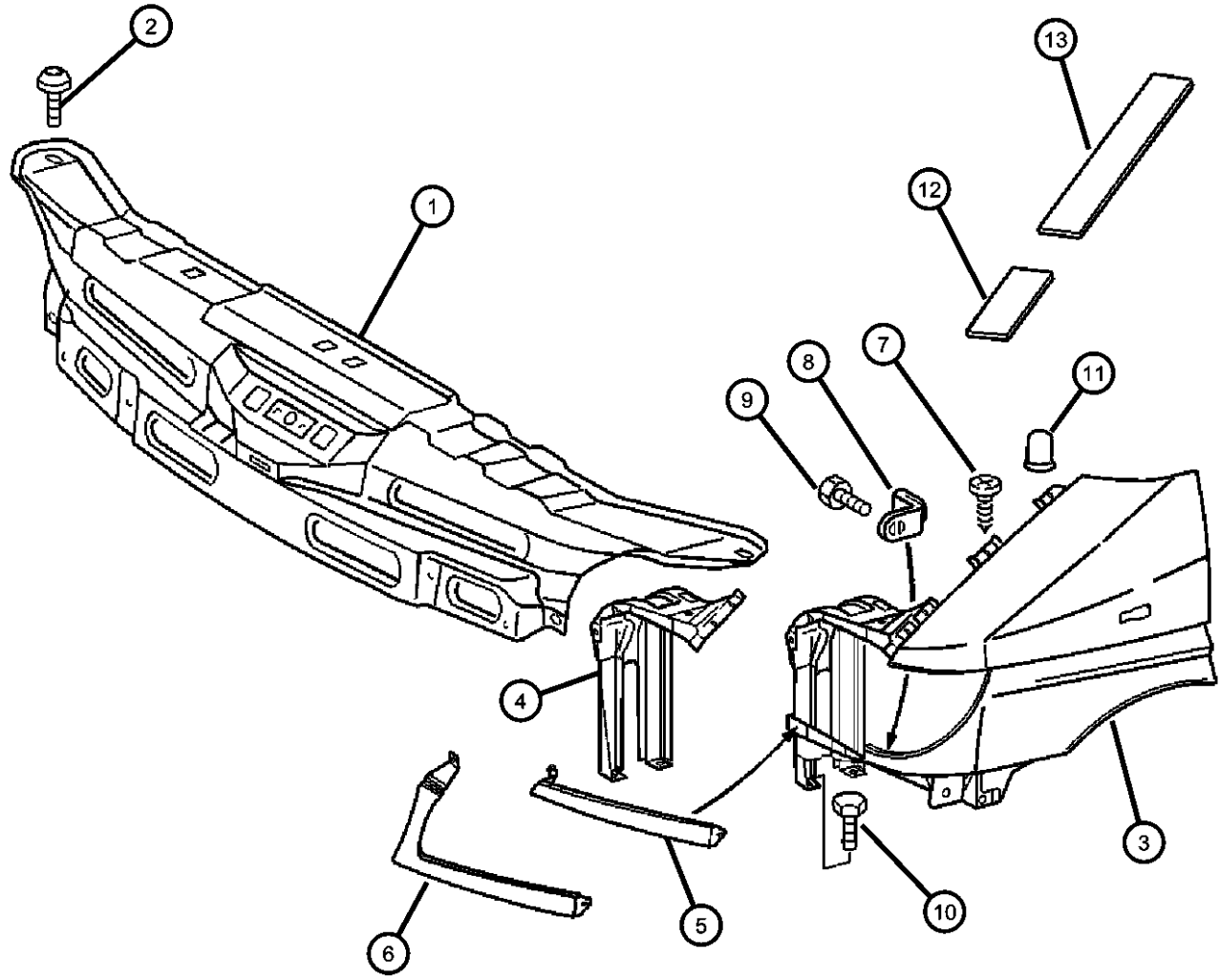
SERIES	LINE	BODY	ENGINE	TRANSMISSION
L = LOWLINE	3 = HD DODGE 2WD	01 = CHASSIS FORWARD CONTROL W.B.1	EX8 = 2.7L I5 Turbo Diesel Engine	DGJ = 5-Speed Automatic MB Transmission
	8 = HD DODGE 4WD	02 = CAB CHASSIS WHEEL BASE 2	EX9 = 2.7L I5 Mercedes-Benz TD Engine	DGZ = 4-Spd. Automatic MT643 Transmission
	6 = Lt. Duty DODGE 4WD	06 = CAB CHASSIS WHEEL BASE 6		
	2 = Med. Duty DODGE 2WD	11 = VAN WHEEL BASE 1		
	7 = Med. Duty DODGE 4WD	12 = VAN WHEEL BASE 2		
	4 = TRUCK	51 = WAGON WHEEL BASE 1		
		52 = WAGON WHEEL BASE 2		
		14 = VAN WHEEL BASE 4		
		15 = VAN WHEEL BASE 5		
		54 = WAGON WHEEL BASE 4		
		55 = WAGON WHEEL BASE 5		
		56 = WAGON WHEEL BASE 6		
		16 = VAN WHEEL BASE 6		

AR = use ase required - = Non illustrated part

Front Fender
Figure SVA-410

ITEM	PART NUMBER	QTY	LINE	SERIES	BODY	ENGINE	TRANS	TRIM	DESCRIPTION
------	-------------	-----	------	--------	------	--------	-------	------	-------------

		1	2, 6		11, 12, 14, 15, 16				
		1	2, 6		51, 52, 54, 55, 56				
		1	3, 7		02, 06				
		1	3, 7		12, 15, 16				

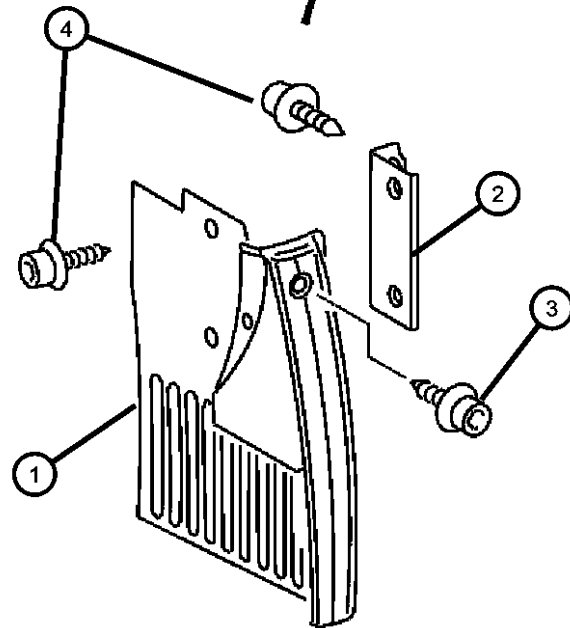
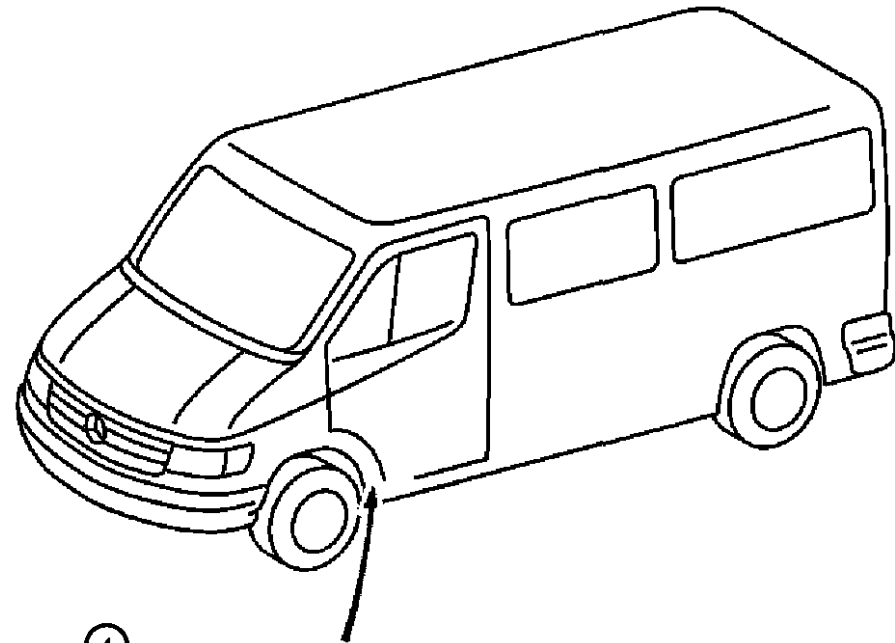


SPRINTER (VA)

SERIES	LINE	BODY	ENGINE	TRANSMISSION
L = LOWLINE	3 = HD DODGE 2WD 8 = HD DODGE 4WD 6 = Lt. Duty DODGE 4WD 2 = Med. Duty DODGE 2WD 7 = Med. Duty DODGE 4WD 4 = TRUCK	01 = CHASSIS FORWARD CONTROL W.B.1 02 = CAB CHASSIS WHEEL BASE 2 06 = CAB CHASSIS WHEEL BASE 6 11 = VAN WHEEL BASE 1 12 = VAN WHEEL BASE 2 51 = WAGON WHEEL BASE 1 52 = WAGON WHEEL BASE 2 14 = VAN WHEEL BASE 4 15 = VAN WHEEL BASE 5 54 = WAGON WHEEL BASE 4 55 = WAGON WHEEL BASE 5 56 = WAGON WHEEL BASE 6 16 = VAN WHEEL BASE 6	EX8 = 2.7L I5 Turbo Diesel Engine EX9 = 2.7L I5 Mercedes-Benz TD Engine	DGJ = 5-Speed Automatic MB Transmission DGZ = 4-Spd. Automatic MT643 Transmission

AR = use ase required - = Non illustrated part

**Fender Splash Guards
Figure SVA-420**



ITEM	PART NUMBER	QTY	LINE	SERIES	BODY	ENGINE	TRANS	TRIM	DESCRIPTION
1									GUARD, Splash
	05104518AA	1	2, 6		01, 02, 06				Left
		1	2, 6		11, 12, 14, 15, 16				Left
		1	2, 6		51, 52, 54, 55, 56				Left
		1	3, 7		02, 06				Left
		1	3, 7		12, 15, 16				Left
	05104521AA	1	2, 6		01, 02, 06				Right
		1	2, 6		11, 12, 14, 15, 16				Right
		1	2, 6		51, 52, 54, 55, 56				Right
		1	3, 7		02, 06				Right
		1	3, 7		12, 15, 16				Right
	05132502AA	1	2, 6		01, 02, 06				With 16 Inch Wheels, Left
		1	2, 6		11, 12, 14, 15, 16				With 16 Inch Wheels, Left
		1	2, 6		51, 52, 54, 55, 56				With 16 Inch Wheels, Left
	05132504AA	1	2, 6		01, 02, 06				With 16 Inch Wheels, Right
		1	2, 6		11, 12, 14, 15, 16				With 16 Inch Wheels, Right
		1	2, 6		51, 52, 54, 55, 56				With 16 Inch Wheels, Right
2									BRACKET
	05104519AA	1	2, 6		01, 02, 06				
		1	2, 6		11, 12, 14, 15, 16				
		1	2, 6		51, 52, 54, 55, 56				
		1	3, 7		02, 06				
		1	3, 7		12, 15, 16				
3									SCREW

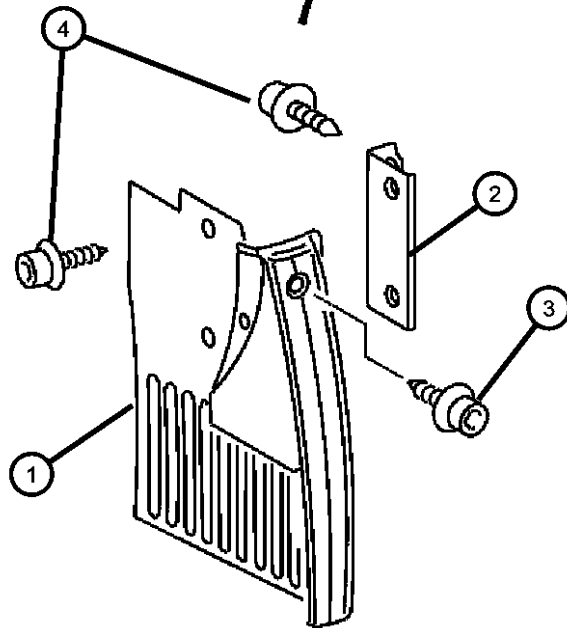
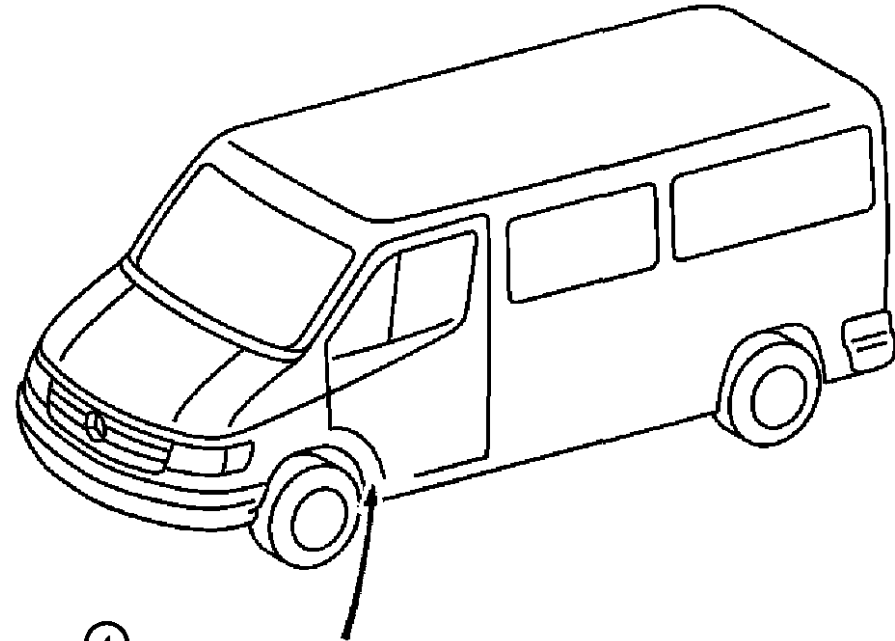
SPRINTER (VA)

SERIES	LINE	BODY	ENGINE	TRANSMISSION
L = LOWLINE	3 = HD DODGE 2WD 8 = HD DODGE 4WD 6 = Lt. Duty DODGE 4WD 2 = Med. Duty DODGE 2WD 7 = Med. Duty DODGE 4WD 4 = TRUCK	01 = CHASSIS FORWARD CONTROL W.B.1 02 = CAB CHASSIS WHEEL BASE 2 06 = CAB CHASSIS WHEEL BASE 6 11 = VAN WHEEL BASE 1 12 = VAN WHEEL BASE 2 51 = WAGON WHEEL BASE 1 52 = WAGON WHEEL BASE 2 14 = VAN WHEEL BASE 4 15 = VAN WHEEL BASE 5 54 = WAGON WHEEL BASE 4 55 = WAGON WHEEL BASE 5 56 = WAGON WHEEL BASE 6 16 = VAN WHEEL BASE 6	EX8 = 2.7L I5 Turbo Diesel Engine EX9 = 2.7L I5 Mercedes-Benz TD Engine	DGJ = 5-Speed Automatic MB Transmission DGZ = 4-Spd. Automatic MT643 Transmission

AR = use ase required - = Non illustrated part

Fender Splash Guards
Figure SVA-420

ITEM	PART NUMBER	QTY	LINE	SERIES	BODY	ENGINE	TRANS	TRIM	DESCRIPTION
------	-------------	-----	------	--------	------	--------	-------	------	-------------



	06104582AA	2	2, 6		01, 02, 06				
		2	2, 6		11, 12, 14, 15, 16				
		2	2, 6		51, 52, 54, 55, 56				
		2	3, 7		02, 06				
		2	3, 7		12, 15, 16				
4									SCREW
	06104581AA	7	2, 6		01, 02, 06				
		1	2, 6		11, 12, 14, 15, 16				
		1	2, 6		51, 52, 54, 55, 56				
		1	3, 7		02, 06				
		1	3, 7		12, 15, 16				

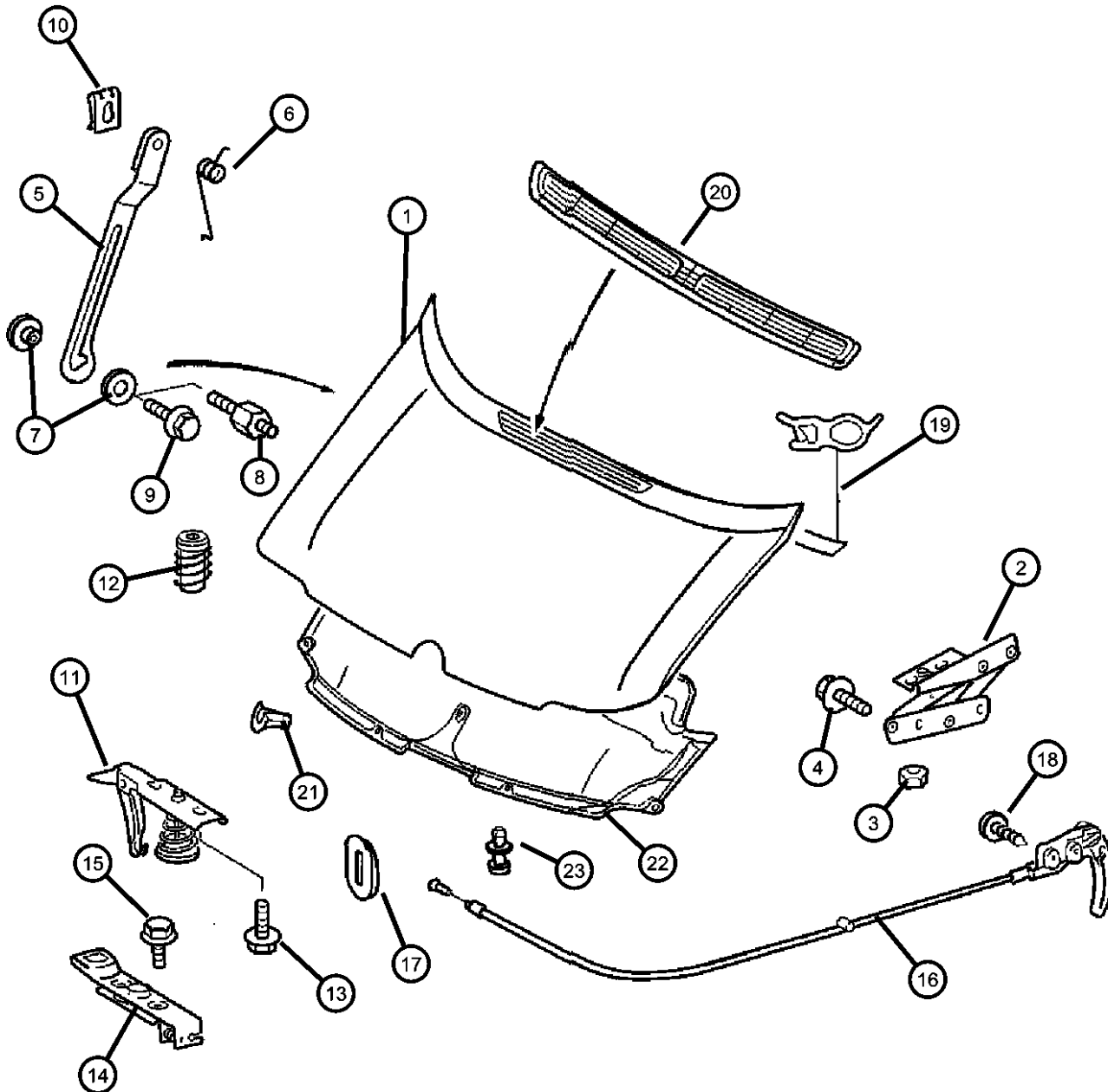
SPRINTER (VA)

SERIES	LINE	BODY	ENGINE	TRANSMISSION
L = LOWLINE	3 = HD DODGE 2WD 8 = HD DODGE 4WD 6 = Lt. Duty DODGE 4WD 2 = Med. Duty DODGE 2WD 7 = Med. Duty DODGE 4WD 4 = TRUCK	01 = CHASSIS FORWARD CONTROL W.B.1 02 = CAB CHASSIS WHEEL BASE 2 06 = CAB CHASSIS WHEEL BASE 6 11 = VAN WHEEL BASE 1 12 = VAN WHEEL BASE 2 51 = WAGON WHEEL BASE 1 52 = WAGON WHEEL BASE 2 14 = VAN WHEEL BASE 4 15 = VAN WHEEL BASE 5 54 = WAGON WHEEL BASE 4 55 = WAGON WHEEL BASE 5 56 = WAGON WHEEL BASE 6 16 = VAN WHEEL BASE 6	EX8 = 2.7L I5 Turbo Diesel Engine EX9 = 2.7L I5 Mercedes-Benz TD Engine	DGJ = 5-Speed Automatic MB Transmission DGZ = 4-Spd. Automatic MT643 Transmission

AR = use ase required - = Non illustrated part

2006 VA

Hood and Hood Release Figure SVA-510



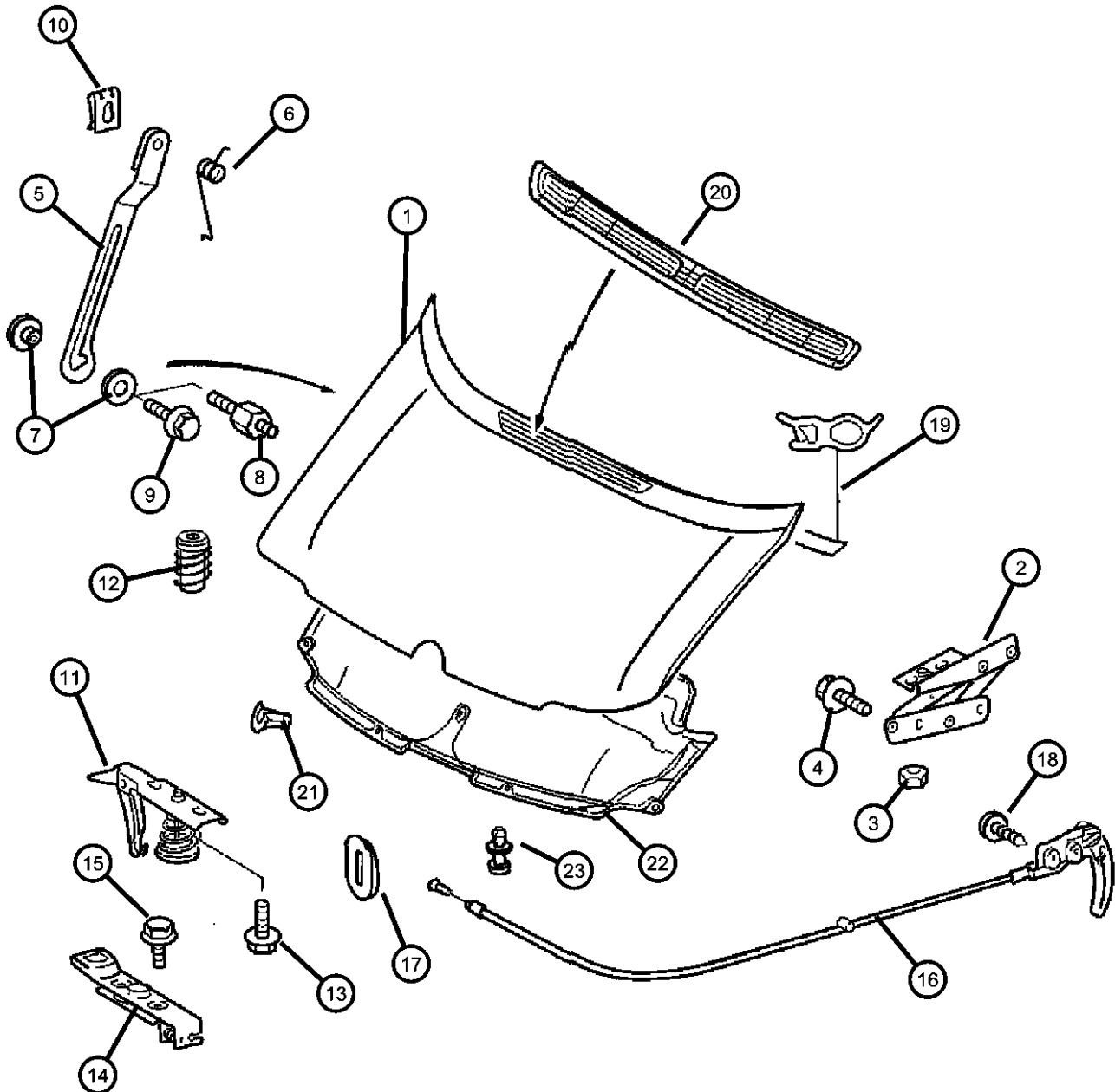
ITEM	PART NUMBER	QTY	LINE	SERIES	BODY	ENGINE	TRANS	TRIM	DESCRIPTION
1									HOOD
	05104402AB	1	2, 6		01, 02, 06				
		1	2, 6		11, 12, 14, 15, 16				
		1	2, 6		51, 52, 54, 55, 56				
		1	3, 7		02, 06				
		1	3, 7		12, 15, 16				
2									HINGE, Hood
	05104404AA	1	2, 6		01, 02, 06				Left
		1	2, 6		11, 12, 14, 15, 16				Left
		1	2, 6		51, 52, 54, 55, 56				Left
		1	3, 7		02, 06				Left
		1	3, 7		12, 15, 16				Left
	05104406AA	1	2, 6		01, 02, 06				Right
		1	2, 6		11, 12, 14, 15, 16				Right
		1	2, 6		51, 52, 54, 55, 56				Right
		1	3, 7		02, 06				Right
		1	3, 7		12, 15, 16				Right
3									NUT
	05103731AA	4	2, 6		01, 02, 06				
		4	2, 6		11, 12, 14, 15, 16				
		4	2, 6		51, 52, 54, 55, 56				
		4	3, 7		02, 06				
		4	3, 7		12, 15, 16				
4									SCREW

SPRINTER (VA)

SERIES	LINE	BODY	ENGINE	TRANSMISSION
L = LOWLINE	3 = HD DODGE 2WD 8 = HD DODGE 4WD 6 = Lt. Duty DODGE 4WD 2 = Med. Duty DODGE 2WD 7 = Med. Duty DODGE 4WD 4 = TRUCK	01 = CHASSIS FORWARD CONTROL W.B.1 02 = CAB CHASSIS WHEEL BASE 2 06 = CAB CHASSIS WHEEL BASE 6 11 = VAN WHEEL BASE 1 12 = VAN WHEEL BASE 2 51 = WAGON WHEEL BASE 1 52 = WAGON WHEEL BASE 2 14 = VAN WHEEL BASE 4 15 = VAN WHEEL BASE 5 54 = WAGON WHEEL BASE 4 55 = WAGON WHEEL BASE 5 56 = WAGON WHEEL BASE 6 16 = VAN WHEEL BASE 6	EX8 = 2.7L I5 Turbo Diesel Engine EX9 = 2.7L I5 Mercedes-Benz TD Engine	DGJ = 5-Speed Automatic MB Transmission DGZ = 4-Spd. Automatic MT643 Transmission

AR = use ase required - = Non illustrated part

Hood and Hood Release Figure SVA-510



ITEM	PART NUMBER	QTY	LINE	SERIES	BODY	ENGINE	TRANS	TRIM	DESCRIPTION
	06104022AA	1	2, 6		01, 02, 06				
		1	2, 6		11, 12, 14, 15, 16				
		1	2, 6		51, 52, 54, 55, 56				
		1	3, 7		02, 06				
		1	3, 7		12, 15, 16				
5		3	2, 3, 6, 7						PROP, Hood
	05104407AA	1	2, 6		01, 02, 06				
		1	2, 6		11, 12, 14, 15, 16				
		1	2, 6		51, 52, 54, 55, 56				
		1	3, 7		02, 06				
		1	3, 7		12, 15, 16				
6									SPRING
	05104546AA	1	2, 6		01, 02, 06				
		1	2, 6		11, 12, 14, 15, 16				
		1	2, 6		51, 52, 54, 55, 56				
		1	3, 7		02, 06				
		1	3, 7		12, 15, 16				
7									BUSHING, Hood Prop Rod Pivot
	05104545AA	2	2, 6		01, 02, 06				
		2	2, 6		11, 12, 14, 15, 16				
		2	2, 6		51, 52, 54, 55, 56				
		2	3, 7		02, 06				
		2	3, 7		12, 15, 16				

SPRINTER (VA)

SERIES

L = LOWLINE
 3 = HD DODGE 2WD
 8 = HD DODGE 4WD
 6 = Lt. Duty DODGE 4WD
 2 = Med. Duty DODGE 2WD
 7 = Med. Duty DODGE 4WD
 4 = TRUCK

LINE

BODY

01 = CHASSIS FORWARD CONTROL W.B.1
 02 = CAB CHASSIS WHEEL BASE 2
 06 = CAB CHASSIS WHEEL BASE 6
 11 = VAN WHEEL BASE 1
 12 = VAN WHEEL BASE 2
 51 = WAGON WHEEL BASE 1
 52 = WAGON WHEEL BASE 2
 14 = VAN WHEEL BASE 4
 15 = VAN WHEEL BASE 5
 54 = WAGON WHEEL BASE 4
 55 = WAGON WHEEL BASE 5
 56 = WAGON WHEEL BASE 6
 16 = VAN WHEEL BASE 6

ENGINE

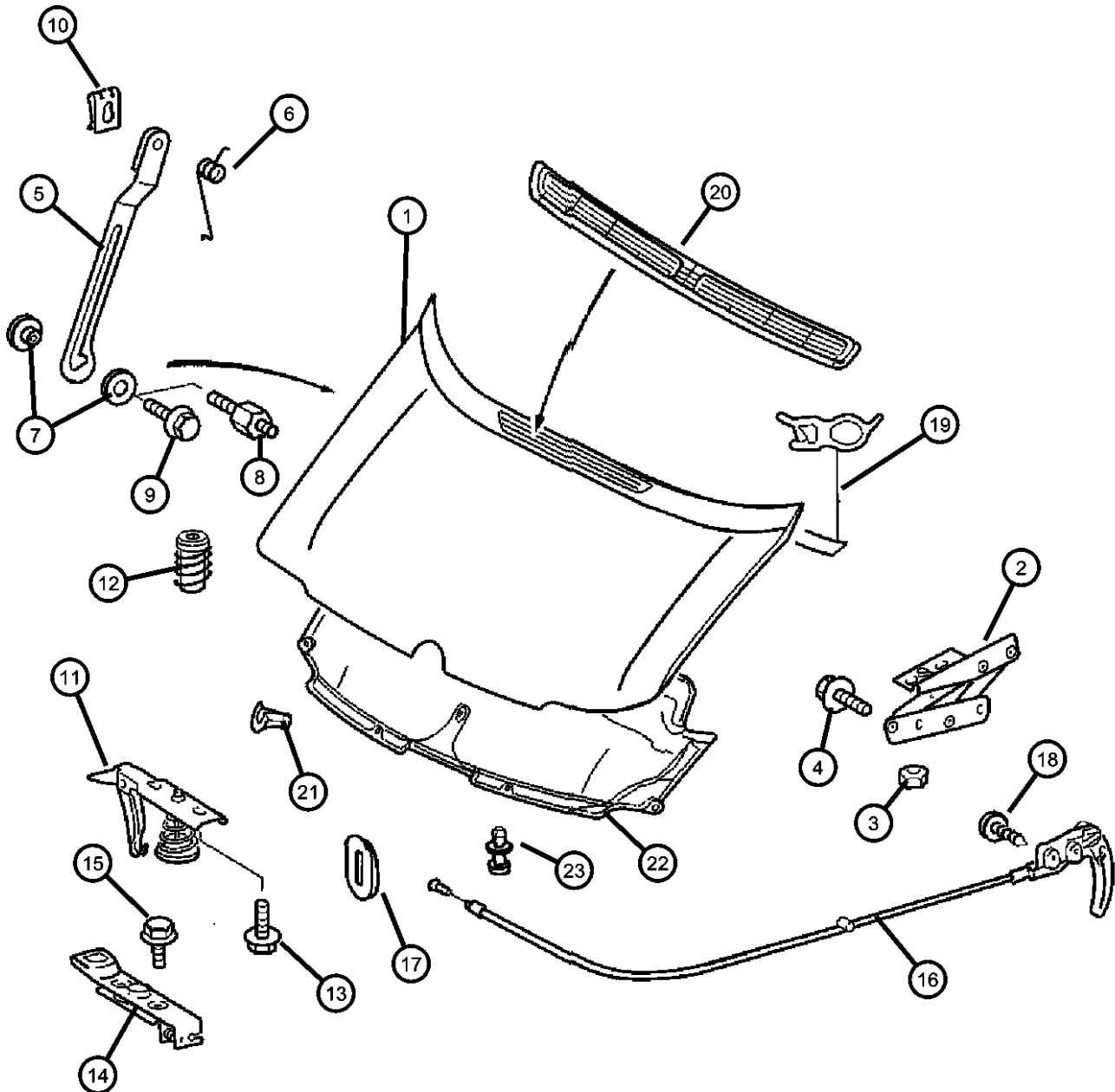
EX8 = 2.7L I5 Turbo Diesel Engine
 EX9 = 2.7L I5 Mercedes-Benz TD Engine

TRANSMISSION

DGJ = 5-Speed Automatic MB Transmission
 DGZ = 4-Spd. Automatic MT643 Transmission

AR = use ase required - = Non illustrated part

**Hood and Hood Release
Figure SVA-510**



ITEM	PART NUMBER	QTY	LINE	SERIES	BODY	ENGINE	TRANS	TRIM	DESCRIPTION
8	05104542AA	1	2, 6		01, 02, 06				SCREW
		1	2, 6		11, 12, 14, 15, 16				
		1	2, 6		51, 52, 54, 55, 56				
		1	3, 7		02, 06				
		1	3, 7		12, 15, 16				
9	06104024AA	1	2, 6		01, 02, 06				SCREW
		1	2, 6		11, 12, 14, 15, 16				
		1	2, 6		51, 52, 54, 55, 56				
10	05126111AA	1	2, 6		01, 02, 06				CLIP, Hood
		1	2, 6		11, 12, 14, 15, 16				
		1	2, 6		51, 52, 54, 55, 56				
		1	3, 7		02, 06				
		1	3, 7		12, 15, 16				
11	05104401AA	1	2, 6		01, 02, 06				STRIKER, Hood Latch
		1	2, 6		11, 12, 14, 15, 16				
		1	2, 6		51, 52, 54, 55, 56				
12	05134041AA	2	2, 6		01, 02, 06				BUMPER, Rubber
		2	2, 6		11, 12, 14, 15, 16				

SPRINTER (VA)

SERIES
L = LOWLINE

LINE

3 = HD DODGE 2WD
8 = HD DODGE 4WD
6 = Lt. Duty DODGE 4WD
2 = Med. Duty DODGE 2WD
7 = Med. Duty DODGE 4WD
4 = TRUCK

BODY

01 = CHASSIS FORWARD CONTROL W.B.1
02 = CAB CHASSIS WHEEL BASE 2
06 = CAB CHASSIS WHEEL BASE 6
11 = VAN WHEEL BASE 1
12 = VAN WHEEL BASE 2
51 = WAGON WHEEL BASE 1
52 = WAGON WHEEL BASE 2
14 = VAN WHEEL BASE 4
15 = VAN WHEEL BASE 5
54 = WAGON WHEEL BASE 4
55 = WAGON WHEEL BASE 5
56 = WAGON WHEEL BASE 6
16 = VAN WHEEL BASE 6

ENGINE

EX8 = 2.7L I5 Turbo Diesel Engine
EX9 = 2.7L I5 Mercedes-Benz TD Engine

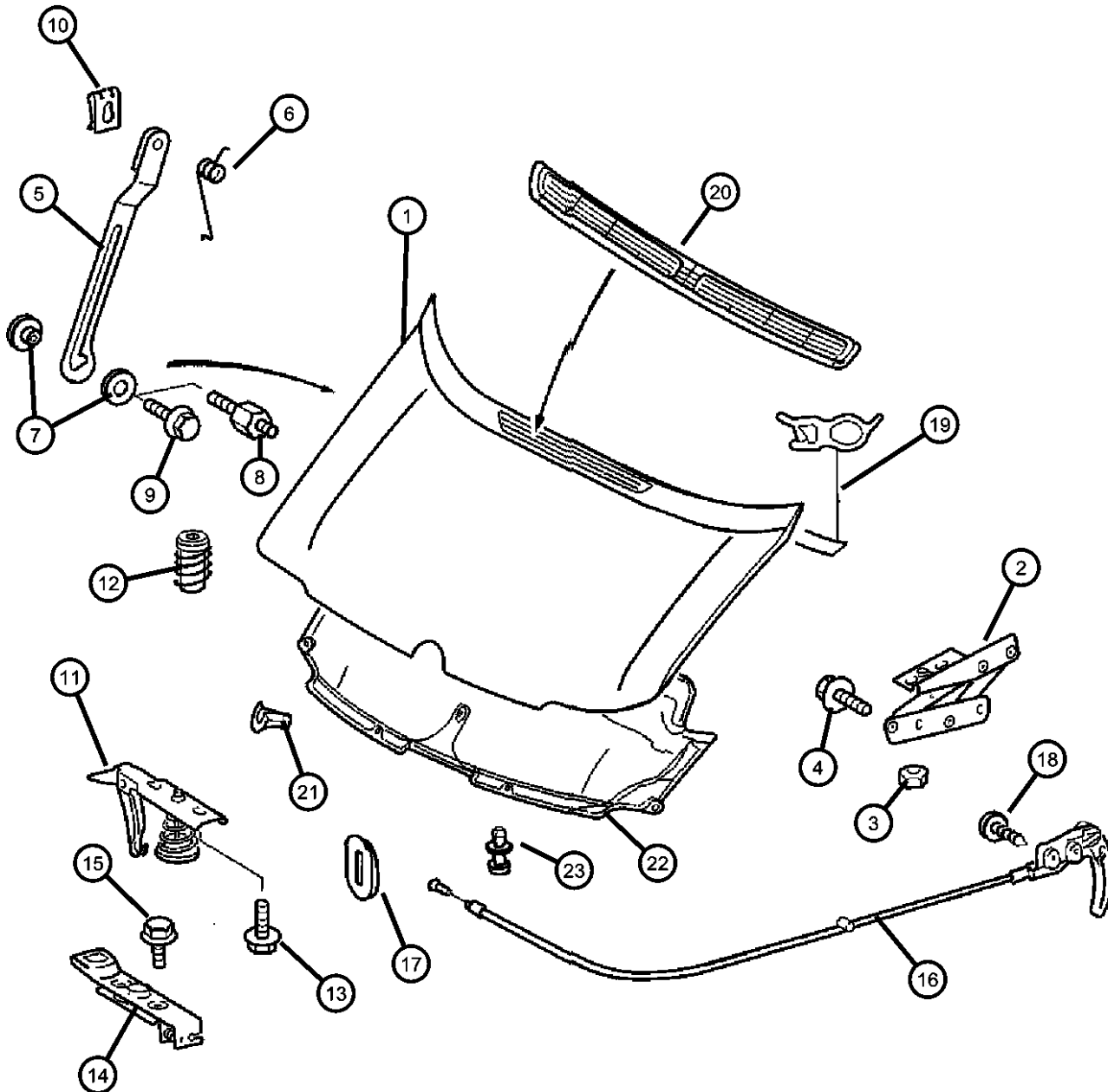
TRANSMISSION

DGJ = 5-Speed Automatic MB Transmission
DGZ = 4-Spd. Automatic MT643 Transmission

AR = use ase required - = Non illustrated part

2006 VA

Hood and Hood Release Figure SVA-510



ITEM	PART NUMBER	QTY	LINE	SERIES	BODY	ENGINE	TRANS	TRIM	DESCRIPTION
		2	2, 6		51, 52, 54, 55, 56				
		2	3, 7		02, 06				
		2	3, 7		12, 15, 16				
13									SCREW
	05073824AA	2	2, 6		01, 02, 06				
		2	2, 6		11, 12, 14, 15, 16				
		2	2, 6		51, 52, 54, 55, 56				
		2	3, 7		02, 06				
		2	3, 7		12, 15, 16				
14									LATCH, Hood
	05104028AA	1	2, 6		01, 02, 06				
		1	2, 6		11, 12, 14, 15, 16				
		1	2, 6		51, 52, 54, 55, 56				
		1	3, 7		02, 06				
		1	3, 7		12, 15, 16				
15									SCREW
	05133476AB	2	2, 6		01, 02, 06				
		2	2, 6		11, 12, 14, 15, 16				
		2	2, 6		51, 52, 54, 55, 56				
		2	3, 7		02, 06				
		2	3, 7		12, 15, 16				
16									CABLE, Hood Release
	05104405AA	1	2, 6		01, 02, 06				
		1	2, 6		11, 12, 14, 15, 16				

SPRINTER (VA)

SERIES
L = LOWLINE

LINE

3 = HD DODGE 2WD
8 = HD DODGE 4WD
6 = Lt. Duty DODGE 4WD
2 = Med. Duty DODGE 2WD
7 = Med. Duty DODGE 4WD
4 = TRUCK

BODY

01 = CHASSIS FORWARD CONTROL W.B.1
02 = CAB CHASSIS WHEEL BASE 2
06 = CAB CHASSIS WHEEL BASE 6
11 = VAN WHEEL BASE 1
12 = VAN WHEEL BASE 2
51 = WAGON WHEEL BASE 1
52 = WAGON WHEEL BASE 2
14 = VAN WHEEL BASE 4
15 = VAN WHEEL BASE 5
54 = WAGON WHEEL BASE 4
55 = WAGON WHEEL BASE 5
56 = WAGON WHEEL BASE 6
16 = VAN WHEEL BASE 6

ENGINE

EX8 = 2.7L I5 Turbo Diesel Engine
EX9 = 2.7L I5 Mercedes-Benz TD Engine

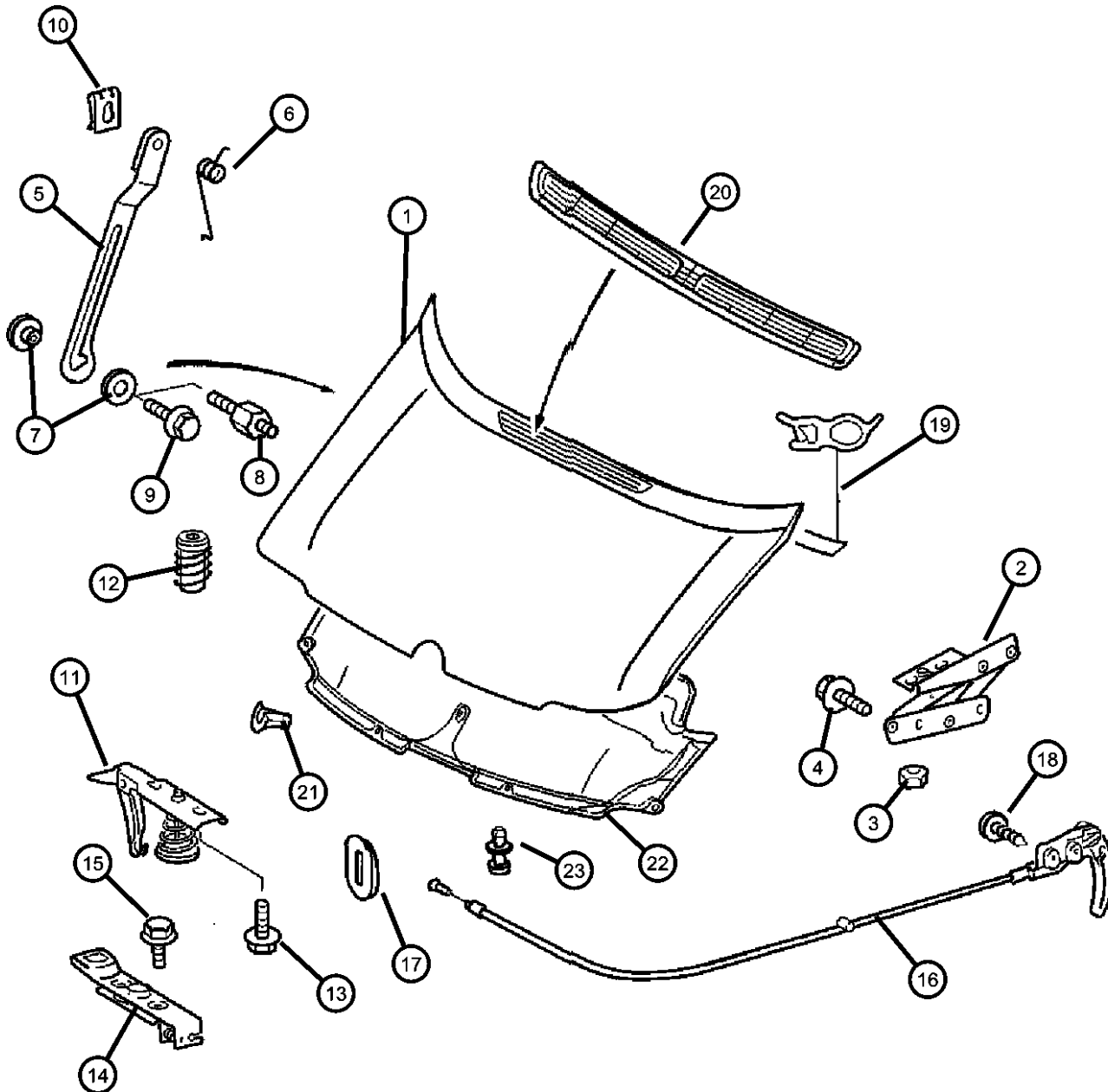
TRANSMISSION

DGJ = 5-Speed Automatic MB Transmission
DGZ = 4-Spd. Automatic MT643 Transmission

AR = use ase required - = Non illustrated part

2006 VA

Hood and Hood Release Figure SVA-510



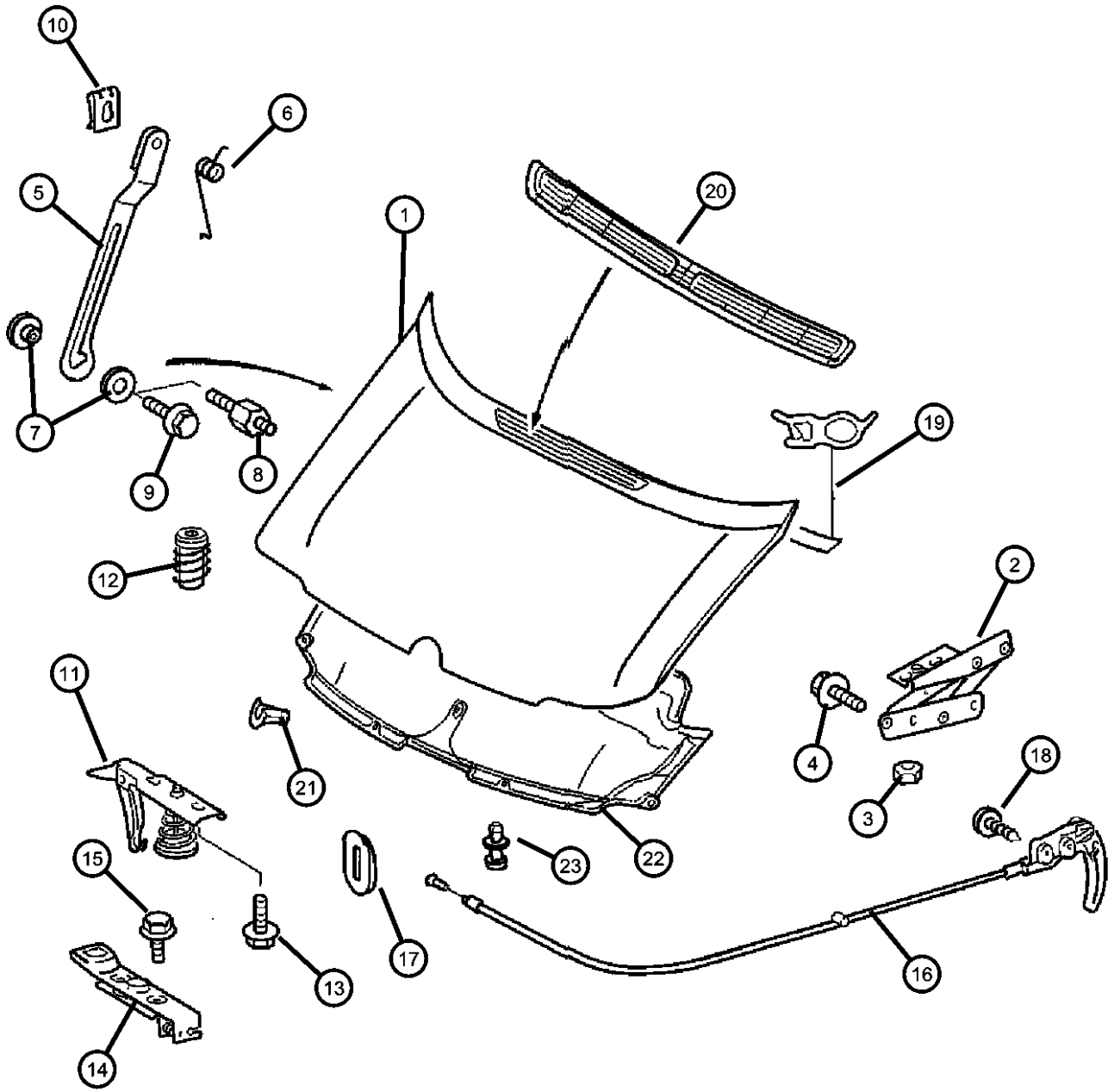
ITEM	PART NUMBER	QTY	LINE	SERIES	BODY	ENGINE	TRANS	TRIM	DESCRIPTION
		1	2, 6		51, 52, 54, 55, 56				
17									GROMMET, Door Wiring
	05133935AA	1	2, 6		01, 02, 06				
		1	2, 6		11, 12, 14, 15, 16				
		1	2, 6		51, 52, 54, 55, 56				
		2	3, 7		12, 15, 16				
		1	3, 7		02, 06				
18									SCREW
	06104507AA	2	2, 6		01, 02, 06				
		2	2, 6		11, 12, 14, 15, 16				
		2	2, 6		51, 52, 54, 55, 56				
19									SEAL, Hood
	05134040AA	1	2, 6		01, 02, 06				
		1	2, 6		11, 12, 14, 15, 16				
		1	2, 6		51, 52, 54, 55, 56				
		1	3, 7		02, 06				
		1	3, 7		12, 15, 16				
20									GRILLE, Hood
	05124653AA	1	2, 6		01, 02, 06				
		1	2, 6		11, 12, 14, 15, 16				
		1	2, 6		51, 52, 54, 55, 56				
		1	3, 7		02, 06				
		1	3, 7		12, 15, 16				

SPRINTER (VA)

SERIES	LINE	BODY	ENGINE	TRANSMISSION
L = LOWLINE	3 = HD DODGE 2WD 8 = HD DODGE 4WD 6 = Lt. Duty DODGE 4WD 2 = Med. Duty DODGE 2WD 7 = Med. Duty DODGE 4WD 4 = TRUCK	01 = CHASSIS FORWARD CONTROL W.B.1 02 = CAB CHASSIS WHEEL BASE 2 06 = CAB CHASSIS WHEEL BASE 6 11 = VAN WHEEL BASE 1 12 = VAN WHEEL BASE 2 51 = WAGON WHEEL BASE 1 52 = WAGON WHEEL BASE 2 14 = VAN WHEEL BASE 4 15 = VAN WHEEL BASE 5 54 = WAGON WHEEL BASE 4 55 = WAGON WHEEL BASE 5 56 = WAGON WHEEL BASE 6 16 = VAN WHEEL BASE 6	EX8 = 2.7L I5 Turbo Diesel Engine EX9 = 2.7L I5 Mercedes-Benz TD Engine	DGJ = 5-Speed Automatic MB Transmission DGZ = 4-Spd. Automatic MT643 Transmission

AR = use ase required - = Non illustrated part

Hood and Hood Release Figure SVA-510



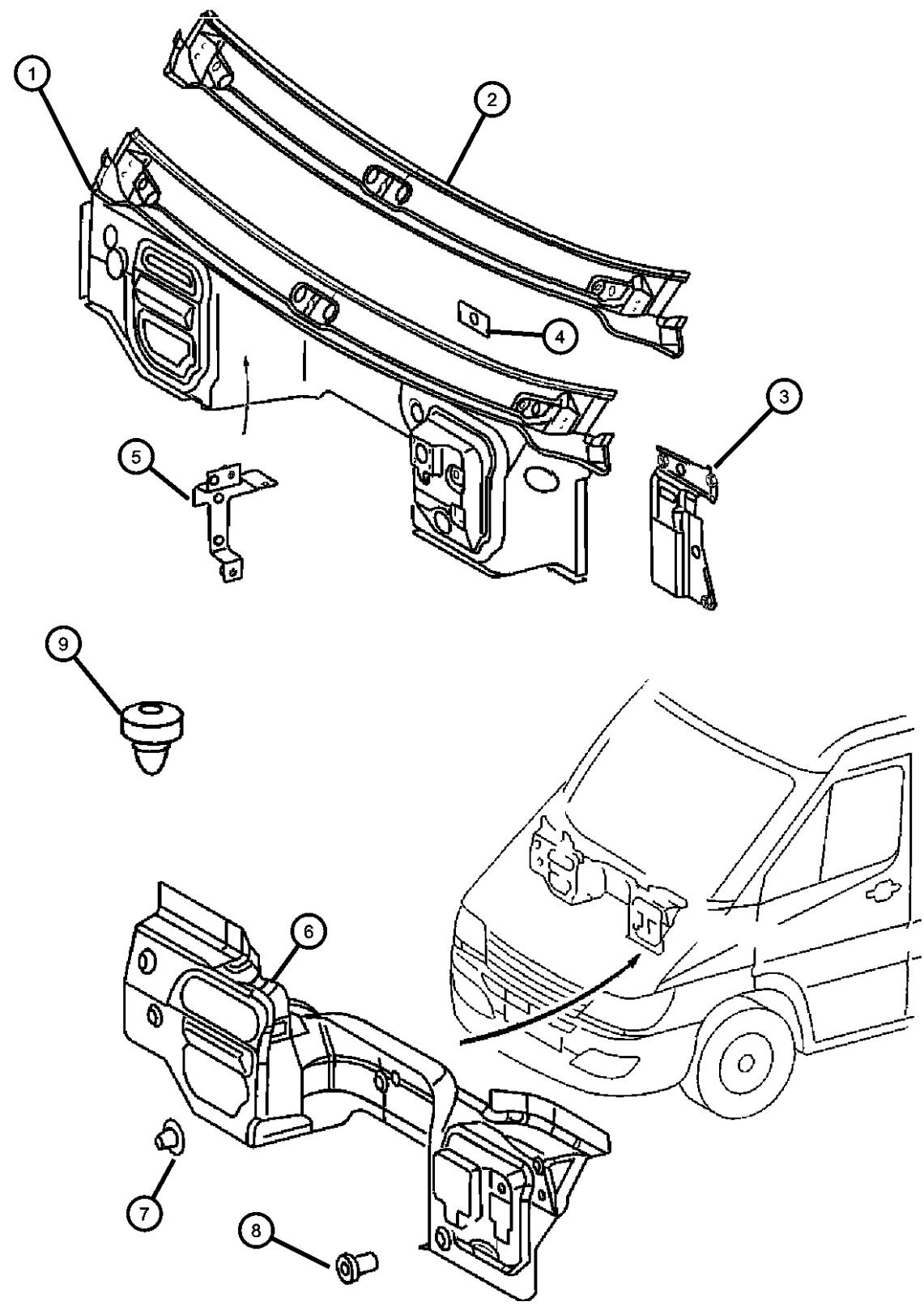
ITEM	PART NUMBER	QTY	LINE	SERIES	BODY	ENGINE	TRANS	TRIM	DESCRIPTION
21	05103932AA	1	2, 6		11, 12, 14, 15, 16				GROMMET
		1	3, 7		12, 15, 16				
		1	2, 6		51, 52, 54, 55, 56				
22	05104486AA	1	2, 6		01, 02, 06				INSULATION, Hood
		1	2, 6		11, 12, 14, 15, 16				
		1	2, 6		51, 52, 54, 55, 56				
		1	3, 7		02, 06				
		1	3, 7		12, 15, 16				
23	05103921AA	12	2, 6		01, 02, 06				RIVET
		12	2, 6		11, 12, 14, 15, 16				
		12	2, 6		51, 52, 54, 55, 56				
		12	3, 7		02, 06				
		12	3, 7		12, 15, 16				

SPRINTER (VA)

SERIES	LINE	BODY	ENGINE	TRANSMISSION
L = LOWLINE	3 = HD DODGE 2WD 8 = HD DODGE 4WD 6 = Lt. Duty DODGE 4WD 2 = Med. Duty DODGE 2WD 7 = Med. Duty DODGE 4WD 4 = TRUCK	01 = CHASSIS FORWARD CONTROL W.B.1 02 = CAB CHASSIS WHEEL BASE 2 06 = CAB CHASSIS WHEEL BASE 6 11 = VAN WHEEL BASE 1 12 = VAN WHEEL BASE 2 51 = WAGON WHEEL BASE 1 52 = WAGON WHEEL BASE 2 14 = VAN WHEEL BASE 4 15 = VAN WHEEL BASE 5 54 = WAGON WHEEL BASE 4 55 = WAGON WHEEL BASE 5 56 = WAGON WHEEL BASE 6 16 = VAN WHEEL BASE 6	EX8 = 2.7L I5 Turbo Diesel Engine EX9 = 2.7L I5 Mercedes-Benz TD Engine	DGJ = 5-Speed Automatic MB Transmission DGZ = 4-Spd. Automatic MT643 Transmission

AR = use ase required - = Non illustrated part

**Cowl and Dash
Figure SVA-610**



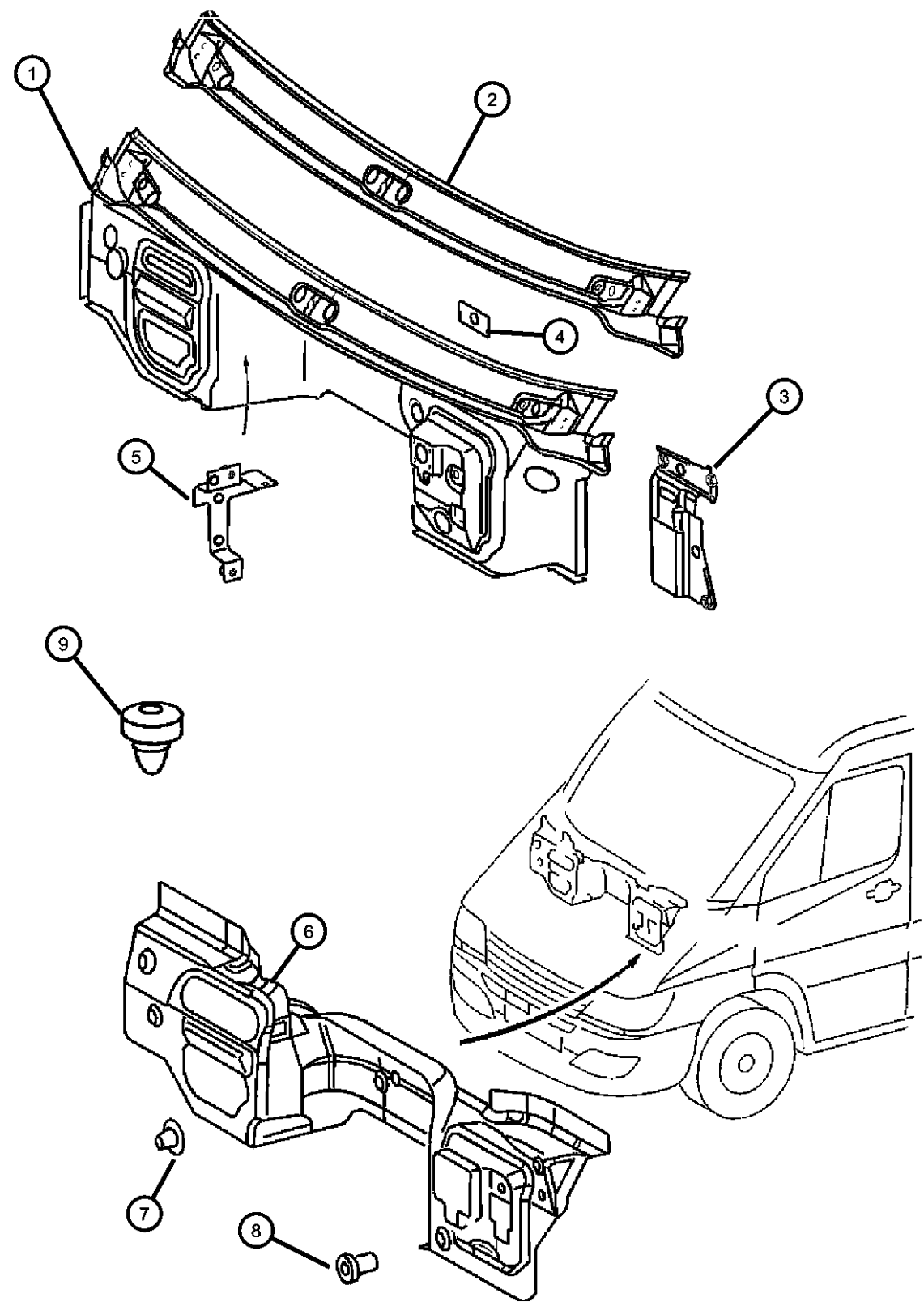
ITEM	PART NUMBER	QTY	LINE	SERIES	BODY	ENGINE	TRANS	TRIM	DESCRIPTION
1	05121578AA	1	2, 6		01, 02, 06				PANEL, Dash Upper
		1	2, 6		11, 12, 14, 15, 16				
		1	2, 6		51, 52, 54, 55, 56				
		1	3, 7		02, 06				
		1	3, 7		12, 15, 16				
2	05104164AA	1	2, 6		01, 02, 06				PANEL, Cowl Top
		1	2, 6		11, 12, 14, 15, 16				
		1	2, 6		51, 52, 54, 55, 56				
		1	3, 7		02, 06				
		1	3, 7		12, 15, 16				
3	05121583AA	1	2, 6		01, 02, 06				BRACKET, Dash
		1	2, 6		11, 12, 14, 15, 16				
		1	2, 6		51, 52, 54, 55, 56				
		1	3, 7		02, 06				
		1	3, 7		12, 15, 16				
4	05121447AA	1	2, 6		01, 02, 06				PLATE
		1	2, 6		11, 12, 14, 15, 16				
		1	2, 6		51, 52, 54, 55, 56				
		1	3, 7		02, 06				
		1	3, 7		12, 15, 16				

SPRINTER (VA)

SERIES	LINE	BODY	ENGINE	TRANSMISSION
L = LOWLINE	3 = HD DODGE 2WD 8 = HD DODGE 4WD 6 = Lt. Duty DODGE 4WD 2 = Med. Duty DODGE 2WD 7 = Med. Duty DODGE 4WD 4 = TRUCK	01 = CHASSIS FORWARD CONTROL W.B.1 02 = CAB CHASSIS WHEEL BASE 2 06 = CAB CHASSIS WHEEL BASE 6 11 = VAN WHEEL BASE 1 12 = VAN WHEEL BASE 2 51 = WAGON WHEEL BASE 1 52 = WAGON WHEEL BASE 2 14 = VAN WHEEL BASE 4 15 = VAN WHEEL BASE 5 54 = WAGON WHEEL BASE 4 55 = WAGON WHEEL BASE 5 56 = WAGON WHEEL BASE 6 16 = VAN WHEEL BASE 6	EX8 = 2.7L I5 Turbo Diesel Engine EX9 = 2.7L I5 Mercedes-Benz TD Engine	DGJ = 5-Speed Automatic MB Transmission DGZ = 4-Spd. Automatic MT643 Transmission

AR = use ase required - = Non illustrated part

**Cowl and Dash
Figure SVA-610**



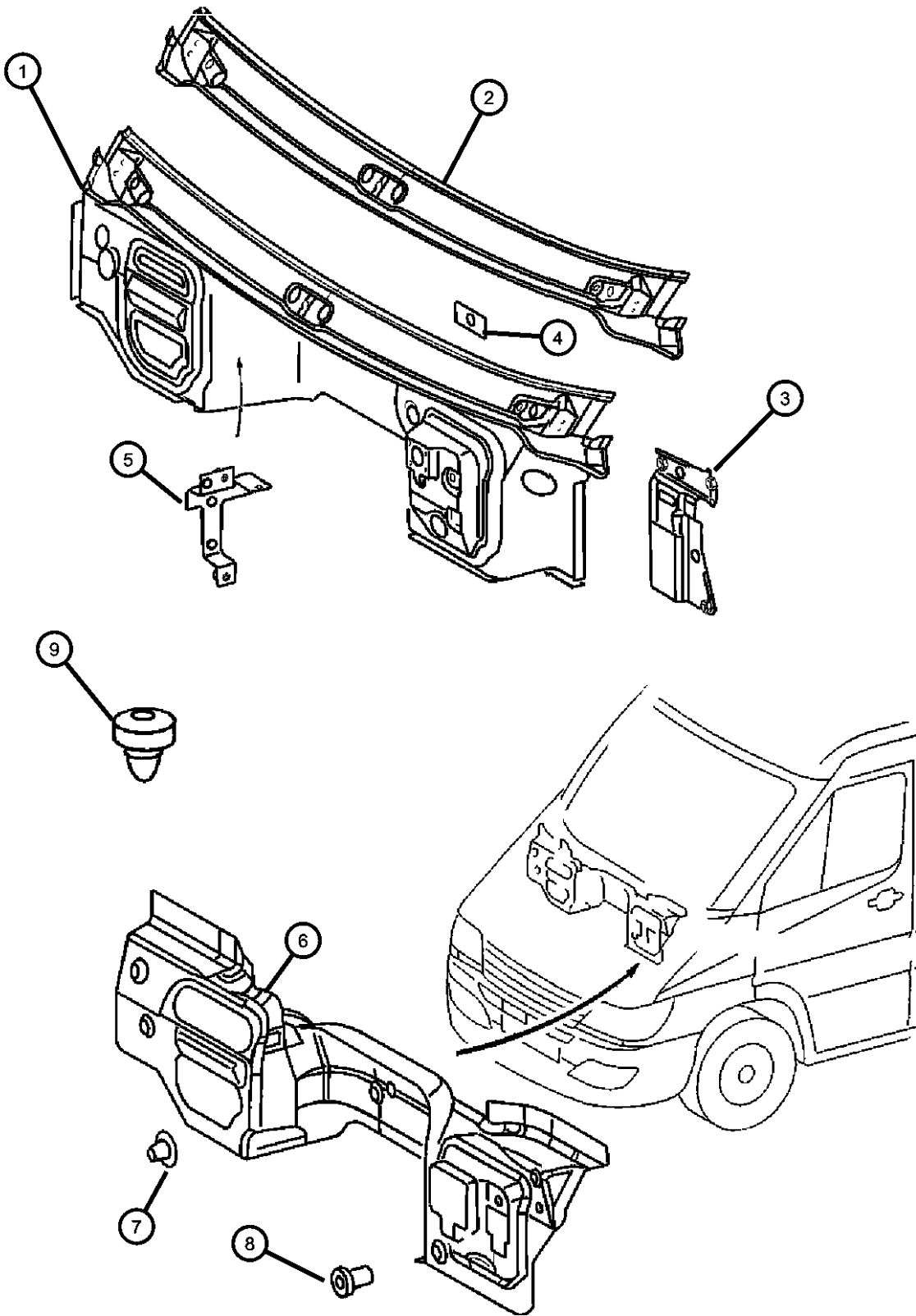
ITEM	PART NUMBER	QTY	LINE	SERIES	BODY	ENGINE	TRANS	TRIM	DESCRIPTION
5	05124627AA	1	2, 6		01, 02, 06				BRACKET
		1	2, 6		11, 12, 14, 15, 16				
		1	2, 6		51, 52, 54, 55, 56				
		1	3, 7		02, 06				
		1	3, 7		12, 15, 16				
6	05122526AA	1	2, 6		01, 02, 06				SILENCER, Dash Panel-Engine Compartment
		1	2, 6		11, 12, 14, 15, 16				
		1	2, 6		51, 52, 54, 55, 56				
		1	3, 7		02, 06				
		1	3, 7		12, 15, 16				
7	05097041AA	4	2, 6		01, 02, 06				PLUG, Button
		4	2, 6		11, 12, 14, 15, 16				
		4	2, 6		51, 52, 54, 55, 56				
		4	3, 7		02, 06				
		4	3, 7		12, 15, 16				
8	05125592AA	2	2, 6		01, 02, 06				PLUG, Button
		2	2, 6		11, 12, 14, 15, 16				
		2	2, 6		51, 52, 54, 55, 56				
		2	3, 7		02, 06				

SPRINTER (VA)

SERIES	LINE	BODY	ENGINE	TRANSMISSION
L = LOWLINE	3 = HD DODGE 2WD 8 = HD DODGE 4WD 6 = Lt. Duty DODGE 4WD 2 = Med. Duty DODGE 2WD 7 = Med. Duty DODGE 4WD 4 = TRUCK	01 = CHASSIS FORWARD CONTROL W.B.1 02 = CAB CHASSIS WHEEL BASE 2 06 = CAB CHASSIS WHEEL BASE 6 11 = VAN WHEEL BASE 1 12 = VAN WHEEL BASE 2 51 = WAGON WHEEL BASE 1 52 = WAGON WHEEL BASE 2 14 = VAN WHEEL BASE 4 15 = VAN WHEEL BASE 5 54 = WAGON WHEEL BASE 4 55 = WAGON WHEEL BASE 5 56 = WAGON WHEEL BASE 6 16 = VAN WHEEL BASE 6	EX8 = 2.7L I5 Turbo Diesel Engine EX9 = 2.7L I5 Mercedes-Benz TD Engine	DGJ = 5-Speed Automatic MB Transmission DGZ = 4-Spd. Automatic MT643 Transmission

AR = use ase required - = Non illustrated part

Cowl and Dash
Figure SVA-610



ITEM	PART NUMBER	QTY	LINE	SERIES	BODY	ENGINE	TRANS	TRIM	DESCRIPTION
------	-------------	-----	------	--------	------	--------	-------	------	-------------

		2	3, 7		12, 15, 16				
9	05103724AA	2	2, 6		01, 02, 06				BUMPER, Rubber
		2	2, 6		11, 12, 14, 15, 16				
		2	2, 6		51, 52, 54, 55, 56				
		2	3, 7		02, 06				
		2	3, 7		12, 15, 16				

SPRINTER (VA)

SERIES

L = LOWLINE

LINE

3 = HD DODGE 2WD
8 = HD DODGE 4WD
6 = Lt. Duty DODGE 4WD
2 = Med. Duty DODGE 2WD
7 = Med. Duty DODGE 4WD
4 = TRUCK

BODY

01 = CHASSIS FORWARD CONTROL W.B.1
02 = CAB CHASSIS WHEEL BASE 2
06 = CAB CHASSIS WHEEL BASE 6
11 = VAN WHEEL BASE 1
12 = VAN WHEEL BASE 2
51 = WAGON WHEEL BASE 1
52 = WAGON WHEEL BASE 2
14 = VAN WHEEL BASE 4
15 = VAN WHEEL BASE 5
54 = WAGON WHEEL BASE 4
55 = WAGON WHEEL BASE 5
56 = WAGON WHEEL BASE 6
16 = VAN WHEEL BASE 6

ENGINE

EX8 = 2.7L I5 Turbo Diesel Engine
EX9 = 2.7L I5 Mercedes-Benz TD Engine

TRANSMISSION

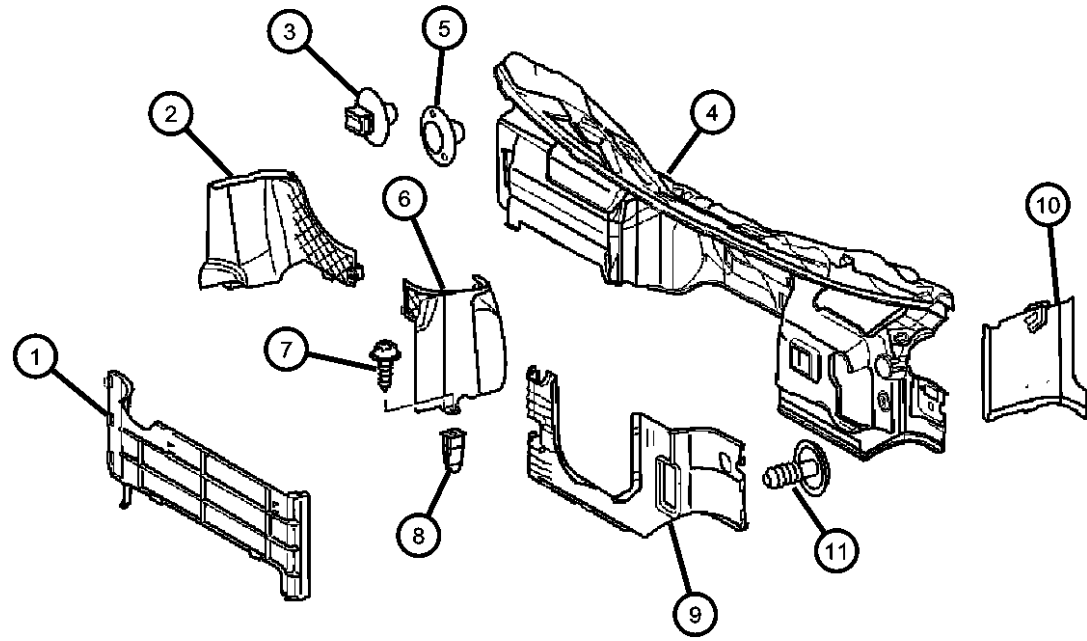
DGJ = 5-Speed Automatic MB Transmission
DGZ = 4-Spd. Automatic MT643 Transmission

AR = use ase required - = Non illustrated part

2006 VA

**Inner Paneling in Cab, Cowl
Figure SVA-620**

ITEM	PART NUMBER	QTY	LINE	SERIES	BODY	ENGINE	TRANS	TRIM	DESCRIPTION
1	05131688AA	1	2, 6		11, 12, 14, 15, 16				SILENCER, Dash And Cowl Sides
		1	6, 2		51, 52, 54, 55, 56				
		1	3, 7		12, 15, 16				
2	05122864AA	1	2, 6		51, 52, 54, 55, 56				PANEL, Bulkhead Support
		1	3, 7		02, 06				
		1	3, 7		12, 15, 16				
		1	2, 6		01, 02, 06				
		1	2, 6		11, 12, 14, 15, 16				
3	05125592AA	1	2, 6		01, 02, 06				PLUG, Button
		1	2, 6		11, 12, 14, 15, 16				
		1	2, 6		51, 52, 54, 55, 56				
		1	3, 7		02, 06				
		1	3, 7		12, 15, 16				
4	05122857AA	1	3, 7		02, 06				PANEL, Cowl
		1	3, 7		12, 15, 16				
		1	2, 6		01, 02, 06				
		1	2, 6		11, 12, 14, 15, 16				
		1	2, 6		51, 52, 54, 55, 56				
5	05097041AA	3	2, 6		01, 02, 06				PLUG, Button



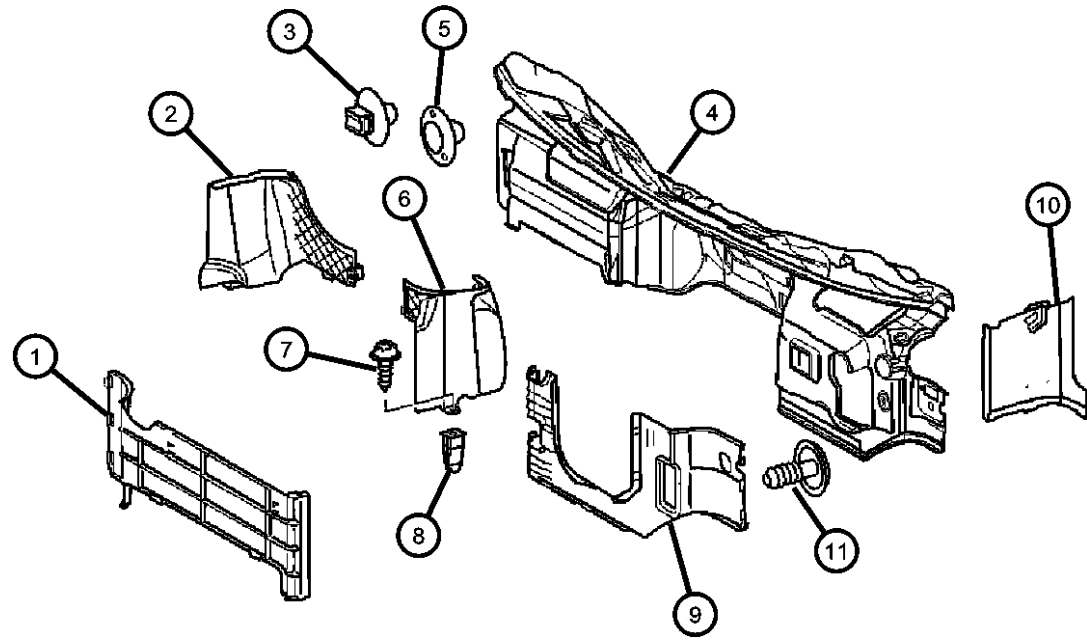
SPRINTER (VA)

SERIES	LINE	BODY	ENGINE	TRANSMISSION
L = LOWLINE	3 = HD DODGE 2WD 8 = HD DODGE 4WD 6 = Lt. Duty DODGE 4WD 2 = Med. Duty DODGE 2WD 7 = Med. Duty DODGE 4WD 4 = TRUCK	01 = CHASSIS FORWARD CONTROL W.B.1 02 = CAB CHASSIS WHEEL BASE 2 06 = CAB CHASSIS WHEEL BASE 6 11 = VAN WHEEL BASE 1 12 = VAN WHEEL BASE 2 51 = WAGON WHEEL BASE 1 52 = WAGON WHEEL BASE 2 14 = VAN WHEEL BASE 4 15 = VAN WHEEL BASE 5 54 = WAGON WHEEL BASE 4 55 = WAGON WHEEL BASE 5 56 = WAGON WHEEL BASE 6 16 = VAN WHEEL BASE 6	EX8 = 2.7L I5 Turbo Diesel Engine EX9 = 2.7L I5 Mercedes-Benz TD Engine	DGJ = 5-Speed Automatic MB Transmission DGZ = 4-Spd. Automatic MT643 Transmission

AR = use ase required - = Non illustrated part

**Inner Paneling in Cab, Cowl
Figure SVA-620**

ITEM	PART NUMBER	QTY	LINE	SERIES	BODY	ENGINE	TRANS	TRIM	DESCRIPTION
		3	2, 6		11, 12, 14, 15, 16				
		3	2, 6		51, 52, 54, 55, 56				
		3	3, 7		12, 15, 16				
		3	3, 7		02, 06				
6	05122862AA	1	2, 6		01, 02, 06				PANEL, Bulkhead Support
		1	2, 6		11, 12, 14, 15, 16				
		1	2, 6		51, 52, 54, 55, 56				
		1	3, 7		02, 06				
		1	3, 7		12, 15, 16				
7	06104574AA	2	2, 6		11, 12, 14, 15, 16				SCREW, Tapping
		2	2, 6		51, 52, 54, 55, 56				
		2	2, 6		01, 02, 06				
		2	3, 7		12, 15, 16				
		2	3, 7		02, 06				
8	05098837AB	8	2, 6		01, 02, 06				NUT, Plastic Snap-in
		8	3, 7		02, 06				
		8	3, 7		12, 15, 16				
		8	2, 6		11, 12, 14, 15, 16				
		8	2, 6		51, 52, 54, 55, 56				
9									PANEL, Dash

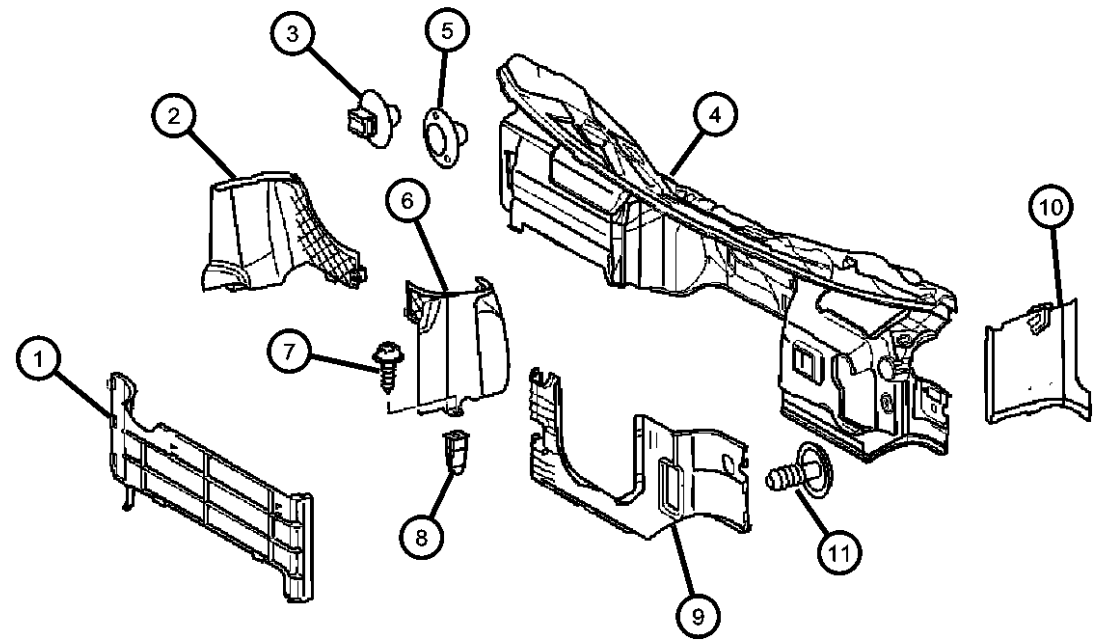


SPRINTER (VA)

SERIES	LINE	BODY	ENGINE	TRANSMISSION
L = LOWLINE	3 = HD DODGE 2WD 8 = HD DODGE 4WD 6 = Lt. Duty DODGE 4WD 2 = Med. Duty DODGE 2WD 7 = Med. Duty DODGE 4WD 4 = TRUCK	01 = CHASSIS FORWARD CONTROL W.B.1 02 = CAB CHASSIS WHEEL BASE 2 06 = CAB CHASSIS WHEEL BASE 6 11 = VAN WHEEL BASE 1 12 = VAN WHEEL BASE 2 51 = WAGON WHEEL BASE 1 52 = WAGON WHEEL BASE 2 14 = VAN WHEEL BASE 4 15 = VAN WHEEL BASE 5 54 = WAGON WHEEL BASE 4 55 = WAGON WHEEL BASE 5 56 = WAGON WHEEL BASE 6 16 = VAN WHEEL BASE 6	EX8 = 2.7L I5 Turbo Diesel Engine EX9 = 2.7L I5 Mercedes-Benz TD Engine	DGJ = 5-Speed Automatic MB Transmission DGZ = 4-Spd. Automatic MT643 Transmission

AR = use ase required - = Non illustrated part

**Inner Paneling in Cab, Cowl
Figure SVA-620**



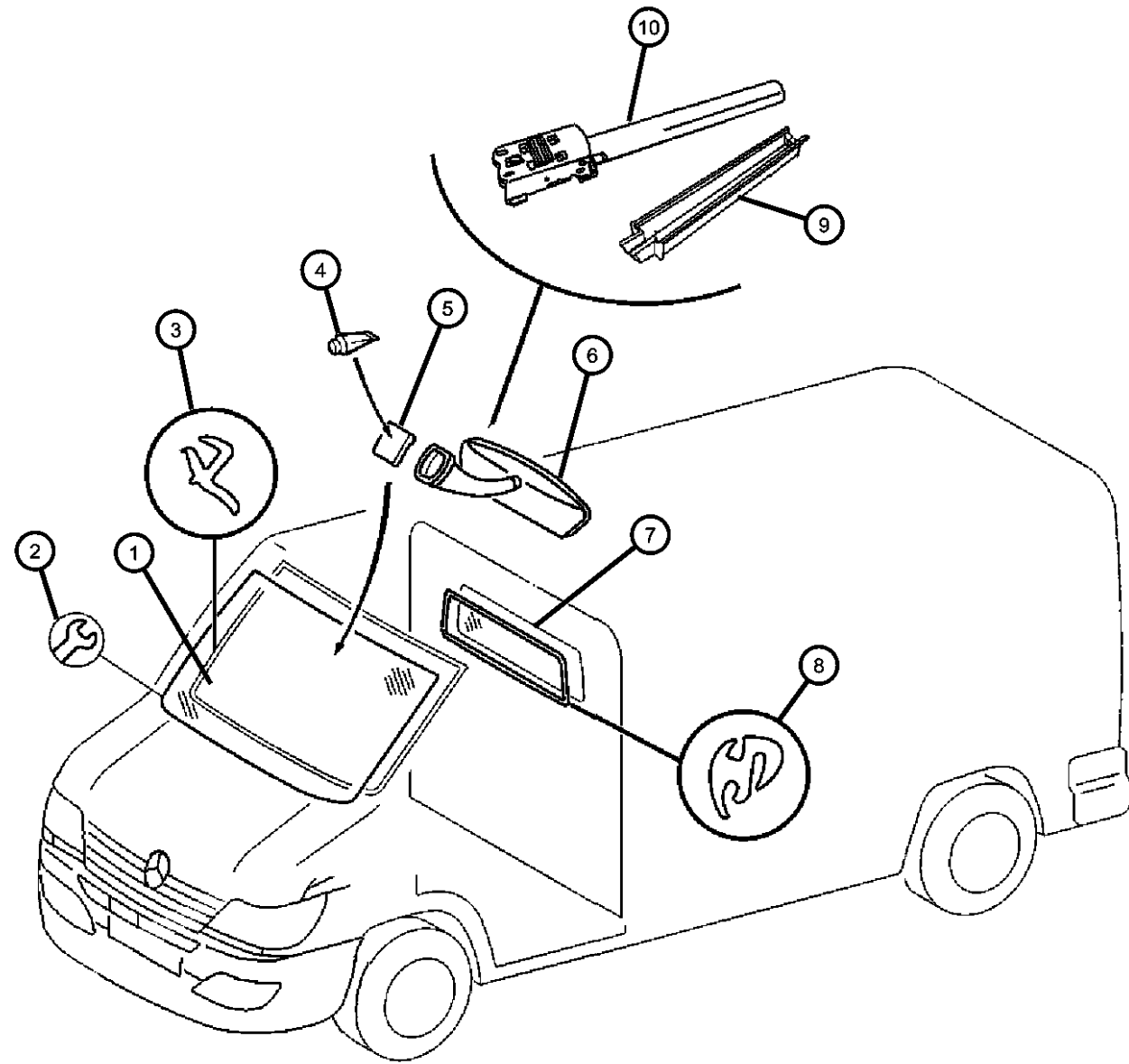
ITEM	PART NUMBER	QTY	LINE	SERIES	BODY	ENGINE	TRANS	TRIM	DESCRIPTION
	05131685AA	1	2, 6		11, 12, 14, 15, 16				
		1	2, 6		51, 52, 54, 55, 56				
		1	3, 7		12, 15, 16				
10									PANEL, Cowl Side
	05104266AA	1	2, 6		01, 02, 06				Right
		1	2, 6		11, 12, 14, 15, 16				Right
		1	2, 6		51, 52, 54, 55, 56				Right
		1	3, 7		02, 06				Right
	05122865AA	1	2, 6		11, 12, 14, 15, 16				Left
		1	2, 6		51, 52, 54, 55, 56				Left
		1	3, 7		02, 06				Left
		1	3, 7		12, 15, 16				Left
		1	3, 7		12, 15, 16				Right
		1	2, 6		01, 02, 06				Left
11									PLUG, Body
	1AS62DX9AA	2	2, 6		01, 02, 06				
		2	2, 6		11, 12, 14, 15, 16				
		2	2, 6		51, 52, 54, 55, 56				
		2	3, 7		02, 06				
		2	3, 7		12, 15, 16				

SPRINTER (VA)

SERIES	LINE	BODY	ENGINE	TRANSMISSION
L = LOWLINE	3 = HD DODGE 2WD 8 = HD DODGE 4WD 6 = Lt. Duty DODGE 4WD 2 = Med. Duty DODGE 2WD 7 = Med. Duty DODGE 4WD 4 = TRUCK	01 = CHASSIS FORWARD CONTROL W.B.1 02 = CAB CHASSIS WHEEL BASE 2 06 = CAB CHASSIS WHEEL BASE 6 11 = VAN WHEEL BASE 1 12 = VAN WHEEL BASE 2 51 = WAGON WHEEL BASE 1 52 = WAGON WHEEL BASE 2 14 = VAN WHEEL BASE 4 15 = VAN WHEEL BASE 5 54 = WAGON WHEEL BASE 4 55 = WAGON WHEEL BASE 5 56 = WAGON WHEEL BASE 6 16 = VAN WHEEL BASE 6	EX8 = 2.7L I5 Turbo Diesel Engine EX9 = 2.7L I5 Mercedes-Benz TD Engine	DGJ = 5-Speed Automatic MB Transmission DGZ = 4-Spd. Automatic MT643 Transmission

AR = use ase required - = Non illustrated part

**Windshield, Backlite and Rear View Mirror
Figure SVA-710**



ITEM	PART NUMBER	QTY	LINE	SERIES	BODY	ENGINE	TRANS	TRIM	DESCRIPTION
1									WINDSHIELD
	05103585AA	1	2, 6		11, 12, 14, 15, 16				Solar, Without Shade Band
		1	2, 6		51, 52, 54, 55, 56				Solar, Without Shade Band
		1	3, 7		12, 15, 16				Solar, Without Shade Band
	05103586AA	1	2, 6		11, 12, 14, 15, 16				Solar, With Shade Band
		1	2, 6		51, 52, 54, 55, 56				Solar, With Shade Band
	05122272AA	1	2, 6		11, 12, 14, 15, 16				Heated, With Rain Sensor
		1	2, 6		51, 52, 54, 55, 56				Heated, With Rain Sensor
	05122335AA	1	3, 7		02, 06				Solar, With Shade Band
		1	3, 7		12, 15, 16				Heated, With Rain Sensor
	05122274AA	1	2, 6		01, 02, 06				Heated, With Rain Sensor
		1	3, 7		02, 06				Heated, With Rain Sensor
		1	2, 6		01, 02, 06				Solar, With Shade Band
	05136429AA	1	2, 6		01, 02, 06				Solar, Without Shade Band
		1	3, 7		02, 06				Solar, Without Shade Band
2									REPAIR KIT, Windshield
	05104594AA	1	2, 6		11, 12, 14, 15, 16				
		1	2, 6		51, 52, 54, 55, 56				
		1	2, 6		01, 02, 06				
		1	3, 7		12, 15, 16				
		1	3, 7		02, 06				
3									WEATHERSTRIP
	05103584AA	1	3, 7		02, 06				
		1	3, 7		12, 15, 16				

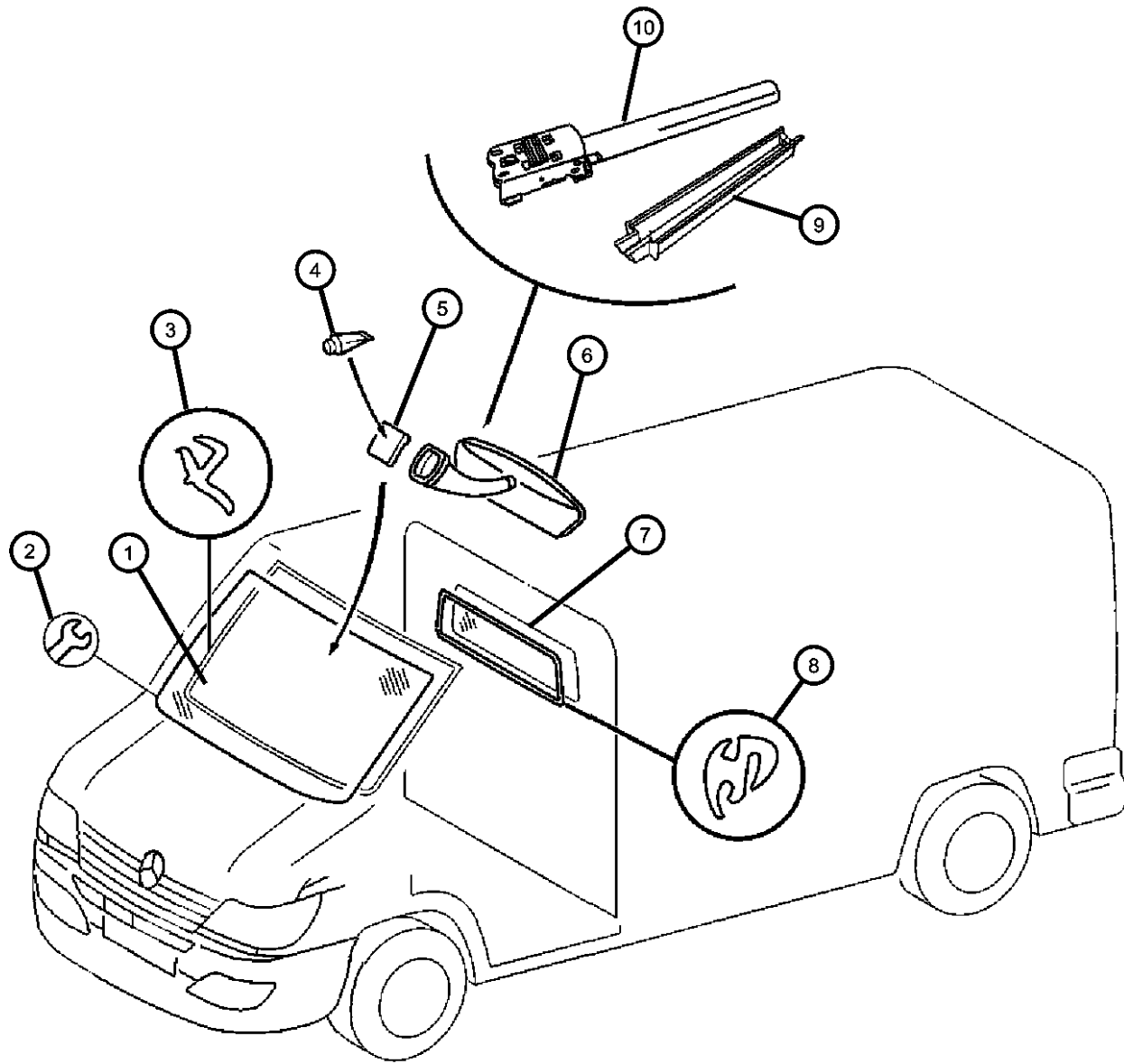
SPRINTER (VA)

SERIES	LINE	BODY	ENGINE	TRANSMISSION
L = LOWLINE	3 = HD DODGE 2WD 8 = HD DODGE 4WD 6 = Lt. Duty DODGE 4WD 2 = Med. Duty DODGE 2WD 7 = Med. Duty DODGE 4WD 4 = TRUCK	01 = CHASSIS FORWARD CONTROL W.B.1 02 = CAB CHASSIS WHEEL BASE 2 06 = CAB CHASSIS WHEEL BASE 6 11 = VAN WHEEL BASE 1 12 = VAN WHEEL BASE 2 51 = WAGON WHEEL BASE 1 52 = WAGON WHEEL BASE 2 14 = VAN WHEEL BASE 4 15 = VAN WHEEL BASE 5 54 = WAGON WHEEL BASE 4 55 = WAGON WHEEL BASE 5 56 = WAGON WHEEL BASE 6 16 = VAN WHEEL BASE 6	EX8 = 2.7L I5 Turbo Diesel Engine EX9 = 2.7L I5 Mercedes-Benz TD Engine	DGJ = 5-Speed Automatic MB Transmission DGZ = 4-Spd. Automatic MT643 Transmission

AR = use ase required - = Non illustrated part

2006 VA

**Windshield, Backlite and Rear View Mirror
Figure SVA-710**



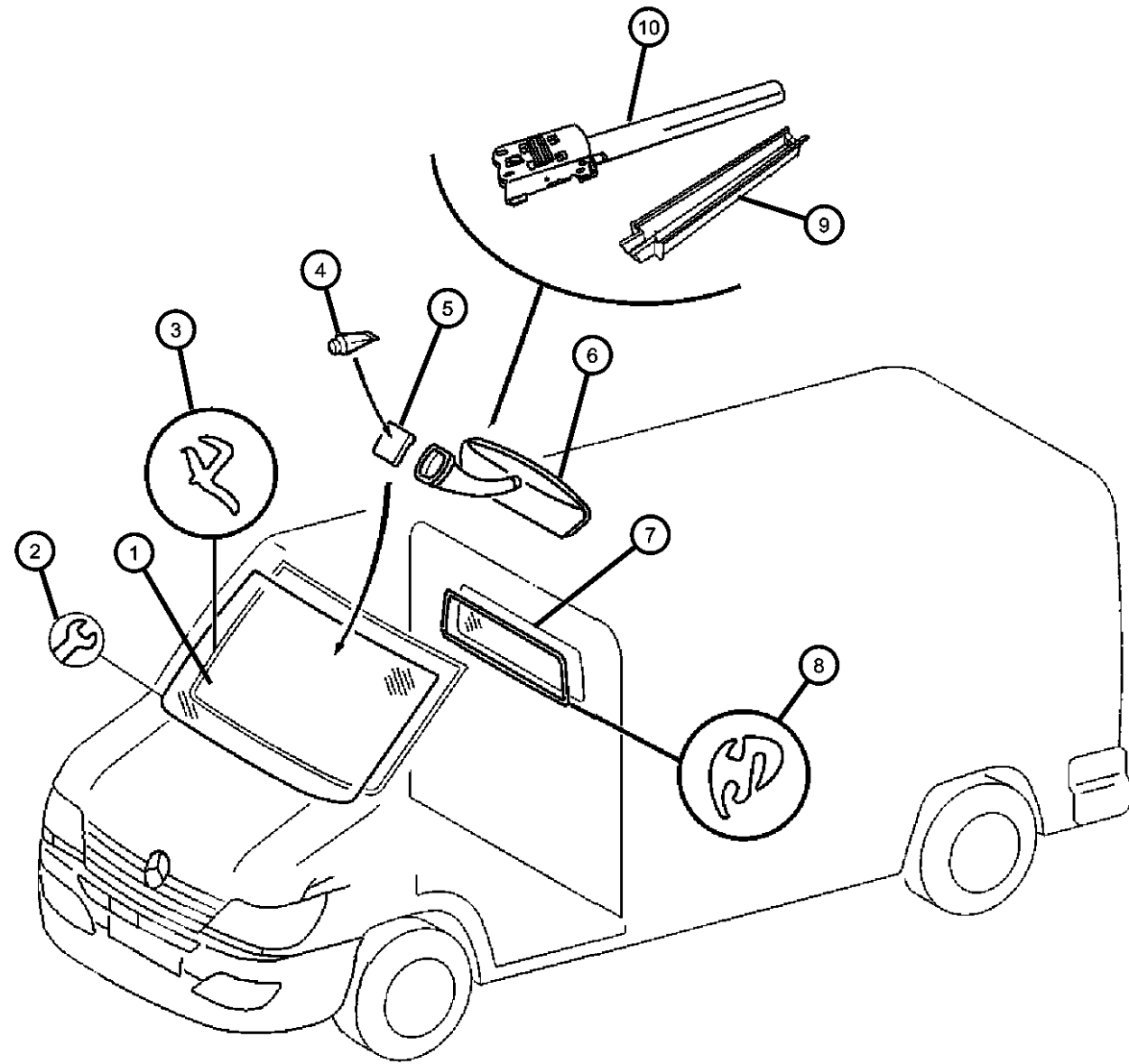
ITEM	PART NUMBER	QTY	LINE	SERIES	BODY	ENGINE	TRANS	TRIM	DESCRIPTION
		1	2, 6		01, 02, 06				
		1	2, 6		11, 12, 14, 15, 16				
		1	2, 6		51, 52, 54, 55, 56				
4	05073862AA	2	2, 3, 6, 7						ADHESIVE
5									BUTTON, Rear View Mirror
	05104241AA	1	2, 6		01, 02, 06				
		1	2, 6		11, 12, 14, 15, 16				
		1	2, 6		51, 52, 54, 55, 56				
		1	3, 7		02, 06				
		1	3, 7		12, 15, 16				
6									MIRROR, Inside Rear View
	05127266AA	1	2, 6		01, 02, 06				With Rain Sensor [GBF]
		1	2, 6		11, 12, 14, 15, 16				With Rain Sensor [GBF]
		1	2, 6		51, 52, 54, 55, 56				With Rain Sensor [GBF]
		1	3, 7		02, 06				With Rain Sensor [GBF]
		1	3, 7		12, 15, 16				With Rain Sensor [GBF]
	05104435AA	1	2, 6		01, 02, 06				
		1	2, 6		11, 12, 14, 15, 16				
		1	2, 6		51, 52, 54, 55, 56				
		1	3, 7		02, 06				
		1	3, 7		12, 15, 16				
7									GLASS, Backlite, Fixed
	05104249AA	1	2, 6		01, 02, 06				

SPRINTER (VA)

SERIES	LINE	BODY	ENGINE	TRANSMISSION
L = LOWLINE	3 = HD DODGE 2WD 8 = HD DODGE 4WD 6 = Lt. Duty DODGE 4WD 2 = Med. Duty DODGE 2WD 7 = Med. Duty DODGE 4WD 4 = TRUCK	01 = CHASSIS FORWARD CONTROL W.B.1 02 = CAB CHASSIS WHEEL BASE 2 06 = CAB CHASSIS WHEEL BASE 6 11 = VAN WHEEL BASE 1 12 = VAN WHEEL BASE 2 51 = WAGON WHEEL BASE 1 52 = WAGON WHEEL BASE 2 14 = VAN WHEEL BASE 4 15 = VAN WHEEL BASE 5 54 = WAGON WHEEL BASE 4 55 = WAGON WHEEL BASE 5 56 = WAGON WHEEL BASE 6 16 = VAN WHEEL BASE 6	EX8 = 2.7L I5 Turbo Diesel Engine EX9 = 2.7L I5 Mercedes-Benz TD Engine	DGJ = 5-Speed Automatic MB Transmission DGZ = 4-Spd. Automatic MT643 Transmission

AR = use ase required - = Non illustrated part

**Windshield, Backlite and Rear View Mirror
Figure SVA-710**



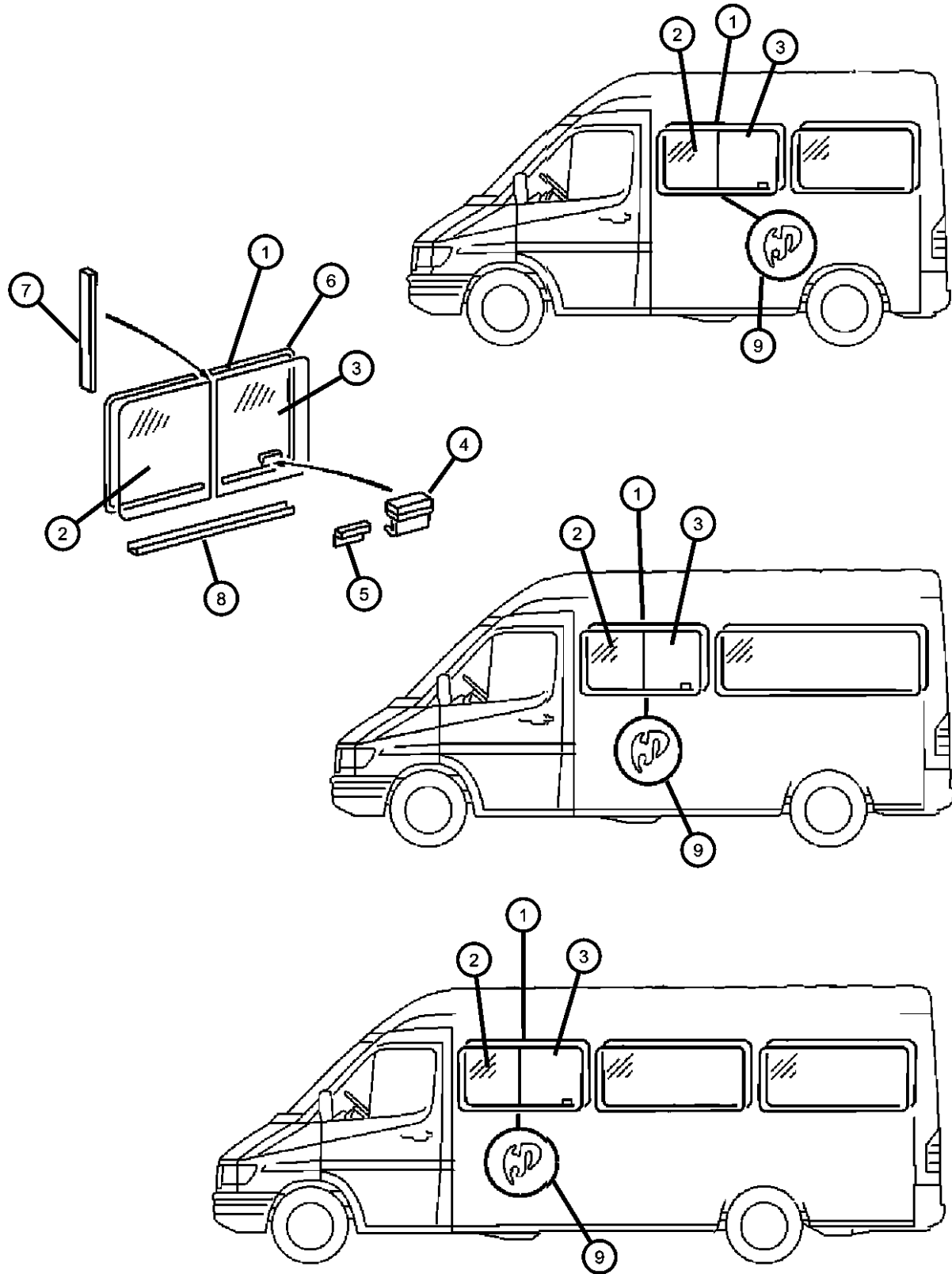
ITEM	PART NUMBER	QTY	LINE	SERIES	BODY	ENGINE	TRANS	TRIM	DESCRIPTION
8	05104250AA	1	2, 6		11, 12, 14, 15, 16				WEATHERSTRIP, Fixed
		1	3, 7		02, 06				
		1	3, 7		12, 15, 16				
9	05127268AA	1	3, 7		02, 06				COVER, Rear View Mirror Wire, Outer
		1	2, 6		01, 02, 06				
		1	2, 6		11, 12, 14, 15, 16				
10	05127267AA	1	2, 6		51, 52, 54, 55, 56				COVER, Rear View Mirror Wire, Inner
		1	3, 7		02, 06				
		1	3, 7		12, 15, 16				
		1	2, 6		01, 02, 06				
		1	2, 6		11, 12, 14, 15, 16				

SPRINTER (VA)

SERIES	LINE	BODY	ENGINE	TRANSMISSION
L = LOWLINE	3 = HD DODGE 2WD	01 = CHASSIS FORWARD CONTROL W.B.1	EX8 = 2.7L I5 Turbo Diesel Engine	DGJ = 5-Speed Automatic MB Transmission
	8 = HD DODGE 4WD	02 = CAB CHASSIS WHEEL BASE 2	EX9 = 2.7L I5 Mercedes-Benz TD Engine	DGZ = 4-Spd. Automatic MT643 Transmission
	6 = Lt. Duty DODGE 4WD	06 = CAB CHASSIS WHEEL BASE 6		
	2 = Med. Duty DODGE 2WD	11 = VAN WHEEL BASE 1		
	7 = Med. Duty DODGE 4WD	12 = VAN WHEEL BASE 2		
	4 = TRUCK	51 = WAGON WHEEL BASE 1		
		52 = WAGON WHEEL BASE 2		
		14 = VAN WHEEL BASE 4		
		15 = VAN WHEEL BASE 5		
		54 = WAGON WHEEL BASE 4		
		55 = WAGON WHEEL BASE 5		
		56 = WAGON WHEEL BASE 6		
		16 = VAN WHEEL BASE 6		

AR = use ase required - = Non illustrated part

**Front Right Side Sliding Glass
Figure SVA-720**



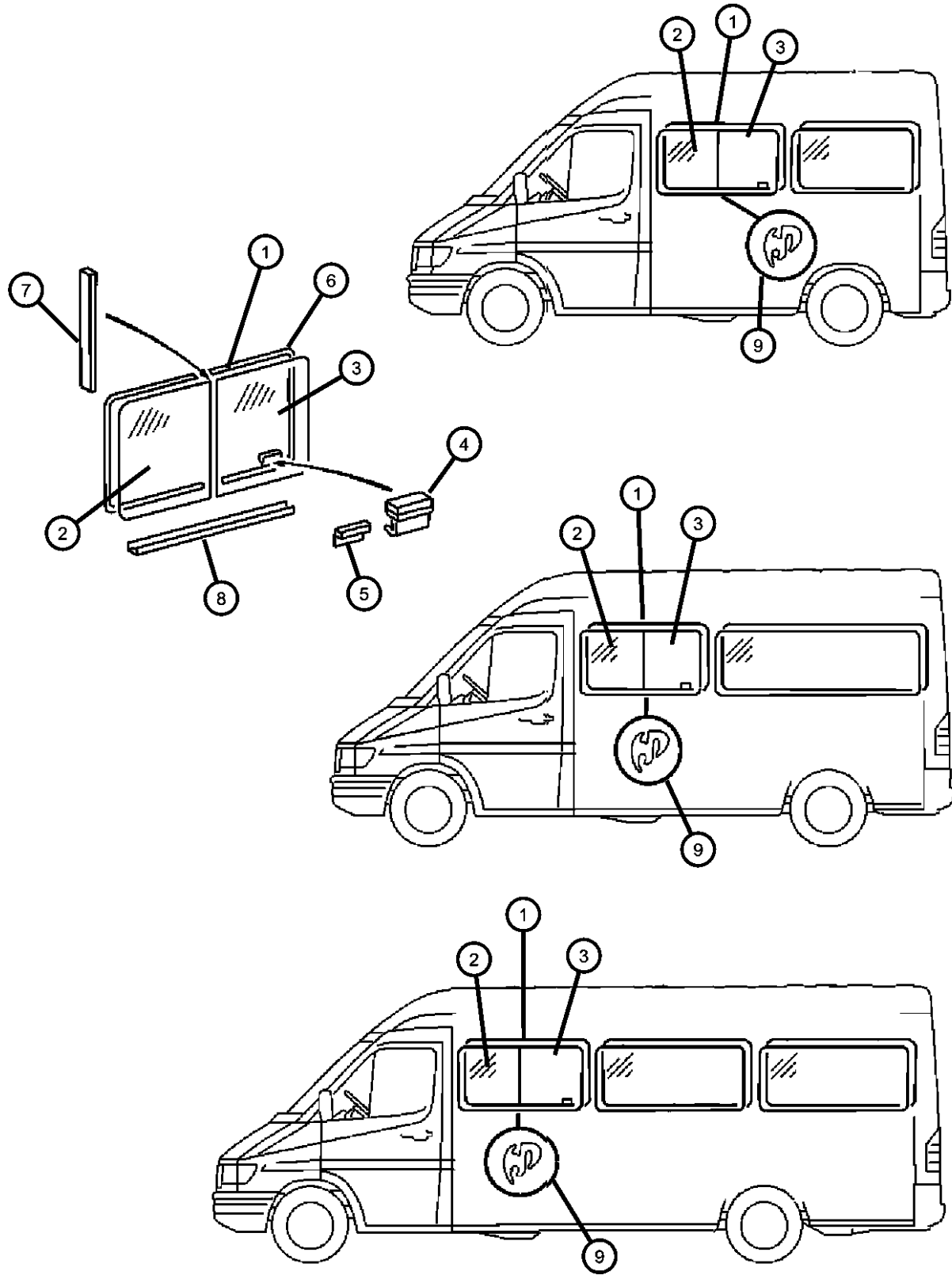
ITEM	PART NUMBER	QTY	LINE	SERIES	BODY	ENGINE	TRANS	TRIM	DESCRIPTION
1	05122302AA	1	2, 6		11, 12, 14, 15, 16				GLASS, Bodyside Window Privacy
		1	2, 6		51, 52, 54, 55, 56				Privacy
		1	3, 7		12, 15, 16				Privacy
2	05134043AA	1	2, 6		11, 12, 14, 15, 16				GLASS, Bodyside Window, Fixed Privacy
		1	2, 6		51, 52, 54, 55, 56				Privacy
		1	3, 7		12, 15, 16				Privacy
3	05134003AA	1	2, 6		51, 52, 54, 55, 56				GLASS, Sliding Door, Vented Privacy
		1	3, 7		12, 15, 16				Privacy
		1	2, 6		11, 12, 14, 15, 16				Privacy
4	05134004AA	1	2, 6		11, 12, 14, 15, 16				HANDLE, Vent Window
		1	2, 6		51, 52, 54, 55, 56				
		1	3, 7		12, 15, 16				
5	05133535AA	1	2, 6		11, 12, 14, 15, 16				RETAINER, Side Panel Vent Window
		1	2, 6		51, 52, 54, 55, 56				
		1	3, 7		12, 15, 16				
6	05134055AA	2	2, 6		11, 12, 14, 15, 16				WEATHERSTRIP, Side Panel Vent

SPRINTER (VA)

SERIES	LINE	BODY	ENGINE	TRANSMISSION
L = LOWLINE	3 = HD DODGE 2WD 8 = HD DODGE 4WD 6 = Lt. Duty DODGE 4WD 2 = Med. Duty DODGE 2WD 7 = Med. Duty DODGE 4WD 4 = TRUCK	01 = CHASSIS FORWARD CONTROL W.B.1 02 = CAB CHASSIS WHEEL BASE 2 06 = CAB CHASSIS WHEEL BASE 6 11 = VAN WHEEL BASE 1 12 = VAN WHEEL BASE 2 51 = WAGON WHEEL BASE 1 52 = WAGON WHEEL BASE 2 14 = VAN WHEEL BASE 4 15 = VAN WHEEL BASE 5 54 = WAGON WHEEL BASE 4 55 = WAGON WHEEL BASE 5 56 = WAGON WHEEL BASE 6 16 = VAN WHEEL BASE 6	EX8 = 2.7L I5 Turbo Diesel Engine EX9 = 2.7L I5 Mercedes-Benz TD Engine	DGJ = 5-Speed Automatic MB Transmission DGZ = 4-Spd. Automatic MT643 Transmission

AR = use ase required - = Non illustrated part

**Front Right Side Sliding Glass
Figure SVA-720**



ITEM	PART NUMBER	QTY	LINE	SERIES	BODY	ENGINE	TRANS	TRIM	DESCRIPTION
		2	2, 6		51, 52, 54, 55, 56				
		2	3, 7		12, 15, 16				
7	05133536AA	1	2, 6		11, 12, 14, 15, 16				WEATHERSTRIP, Side Panel Vent
		1	2, 6		51, 52, 54, 55, 56				
		1	3, 7		12, 15, 16				
8	05134059AA	2	2, 6		11, 12, 14, 15, 16				WEATHERSTRIP, Glass
		2	2, 6		51, 52, 54, 55, 56				
		2	3, 7		12, 15, 16				
9	05104246AA	1	2, 6		51, 52, 54, 55, 56				SEAL, Window Opening
		1	2, 6		11, 12, 14, 15, 16				
		1	3, 7		12, 15, 16				

SPRINTER (VA)

SERIES
L = LOWLINE

LINE

3 = HD DODGE 2WD
8 = HD DODGE 4WD
6 = Lt. Duty DODGE 4WD
2 = Med. Duty DODGE 2WD
7 = Med. Duty DODGE 4WD
4 = TRUCK

BODY

01 = CHASSIS FORWARD CONTROL W.B.1
02 = CAB CHASSIS WHEEL BASE 2
06 = CAB CHASSIS WHEEL BASE 6
11 = VAN WHEEL BASE 1
12 = VAN WHEEL BASE 2
51 = WAGON WHEEL BASE 1
52 = WAGON WHEEL BASE 2
14 = VAN WHEEL BASE 4
15 = VAN WHEEL BASE 5
54 = WAGON WHEEL BASE 4
55 = WAGON WHEEL BASE 5
56 = WAGON WHEEL BASE 6
16 = VAN WHEEL BASE 6

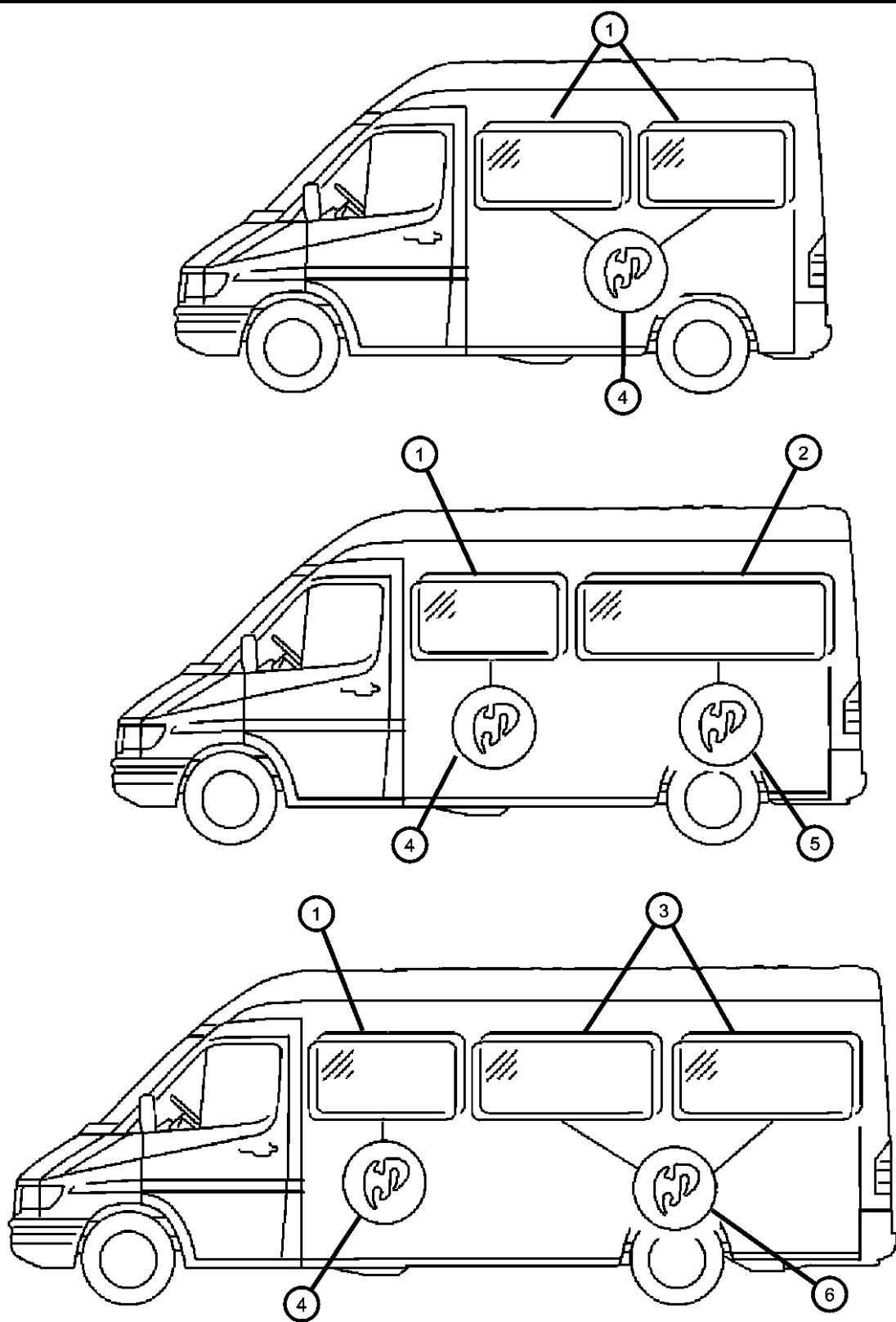
ENGINE

EX8 = 2.7L I5 Turbo Diesel Engine
EX9 = 2.7L I5 Mercedes-Benz TD Engine

TRANSMISSION

DGJ = 5-Speed Automatic MB Transmission
DGZ = 4-Spd. Automatic MT643 Transmission

Side Glass, Fixed
Figure SVA-730



ITEM	PART NUMBER	QTY	LINE	SERIES	BODY	ENGINE	TRANS	TRIM	DESCRIPTION
1	05104245AA	1	2, 6		11, 12, 14, 15, 16				GLASS, Bodyside Window Privacy
		1	2, 6		51, 52, 54, 55, 56				Privacy
		1	3, 7		12, 15, 16				Privacy
2	05122350AA	1	2, 6		12, 15				GLASS, Bodyside Window Tint
		1	2, 6		52, 55				Tint
		1	3, 7		12, 15				Tint
	05134334AA	1	2, 6		12, 15				Privacy
		1	2, 6		52, 55				Privacy
		1	3, 7		12, 15				Privacy
3	05104247AA	1	2, 6		11, 12, 14, 15, 16				GLASS, Bodyside Window Tint
		1	2, 6		51, 52, 54, 55, 56				Tint
		1	3, 7		12, 15, 16				Tint
	05134335AA	1	2, 6		11, 12, 14, 15, 16				Privacy
		1	2, 6		51, 52, 54, 55, 56				Privacy
		1	3, 7		12, 15, 16				Privacy
4	05104246AA	1	2, 6		11, 12, 14, 15, 16				SEAL, Window Opening
		1	2, 6		51, 52, 54, 55, 56				
		1	3, 7		12, 15, 16				
5	05104248AA	1	2, 6		12, 15				SEAL, Window Opening

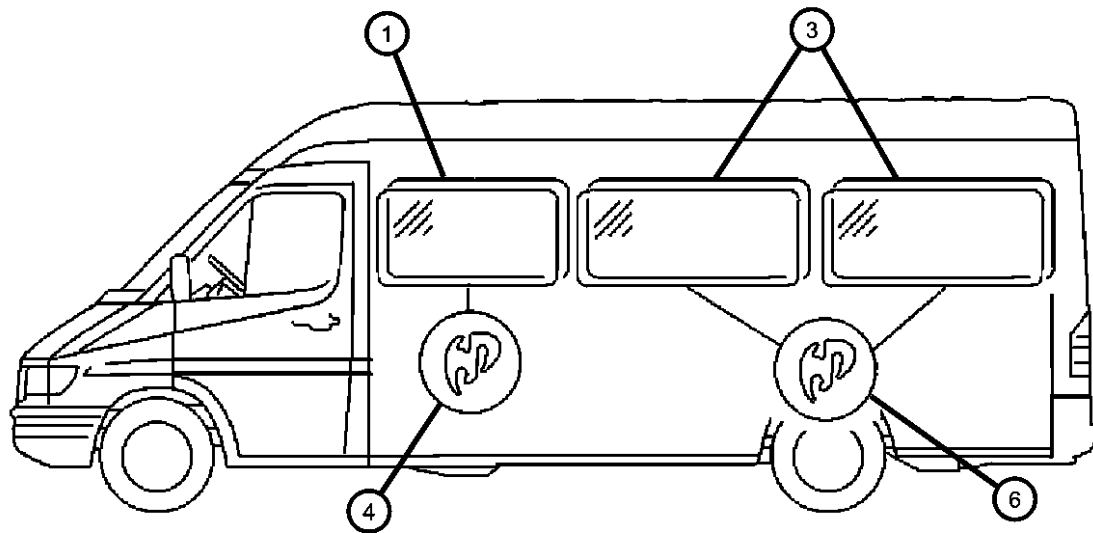
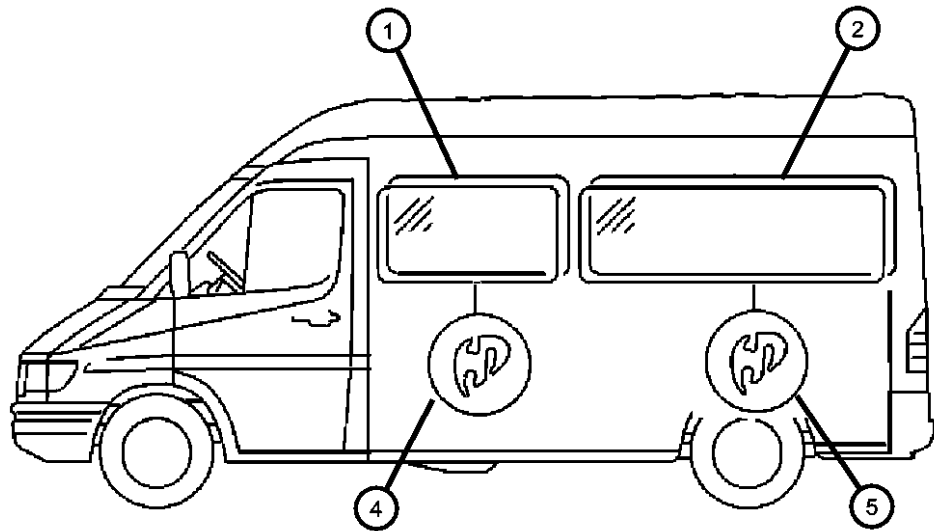
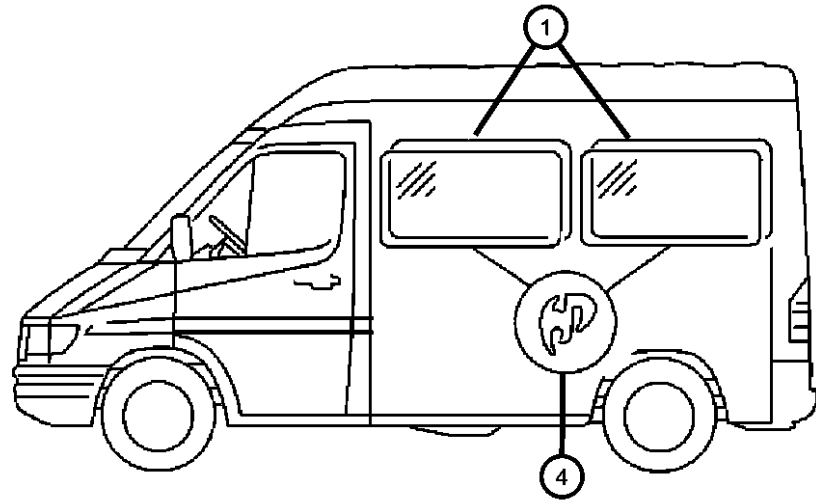
SPRINTER (VA)

SERIES	LINE	BODY	ENGINE	TRANSMISSION
L = LOWLINE	3 = HD DODGE 2WD 8 = HD DODGE 4WD 6 = Lt. Duty DODGE 4WD 2 = Med. Duty DODGE 2WD 7 = Med. Duty DODGE 4WD 4 = TRUCK	01 = CHASSIS FORWARD CONTROL W.B.1 02 = CAB CHASSIS WHEEL BASE 2 06 = CAB CHASSIS WHEEL BASE 6 11 = VAN WHEEL BASE 1 12 = VAN WHEEL BASE 2 51 = WAGON WHEEL BASE 1 52 = WAGON WHEEL BASE 2 14 = VAN WHEEL BASE 4 15 = VAN WHEEL BASE 5 54 = WAGON WHEEL BASE 4 55 = WAGON WHEEL BASE 5 56 = WAGON WHEEL BASE 6 16 = VAN WHEEL BASE 6	EX8 = 2.7L I5 Turbo Diesel Engine EX9 = 2.7L I5 Mercedes-Benz TD Engine	DGJ = 5-Speed Automatic MB Transmission DGZ = 4-Spd. Automatic MT643 Transmission

AR = use ase required - = Non illustrated part

Side Glass, Fixed
Figure SVA-730

ITEM	PART NUMBER	QTY	LINE	SERIES	BODY	ENGINE	TRANS	TRIM	DESCRIPTION
6	05122354AA	1	2, 6		52, 55				SEAL, Window Opening
		1	3, 7		12, 15				
		1	2, 6		11, 12, 14, 15, 16				
		1	2, 6		51, 52, 54, 55, 56				
		1	3, 7		12, 15, 16				



SPRINTER (VA)

SERIES

L = LOWLINE

LINE

3 = HD DODGE 2WD
8 = HD DODGE 4WD
6 = Lt. Duty DODGE 4WD
2 = Med. Duty DODGE 2WD
7 = Med. Duty DODGE 4WD
4 = TRUCK

BODY

01 = CHASSIS FORWARD CONTROL W.B.1
02 = CAB CHASSIS WHEEL BASE 2
06 = CAB CHASSIS WHEEL BASE 6
11 = VAN WHEEL BASE 1
12 = VAN WHEEL BASE 2
51 = WAGON WHEEL BASE 1
52 = WAGON WHEEL BASE 2
14 = VAN WHEEL BASE 4
15 = VAN WHEEL BASE 5
54 = WAGON WHEEL BASE 4
55 = WAGON WHEEL BASE 5
56 = WAGON WHEEL BASE 6
16 = VAN WHEEL BASE 6

ENGINE

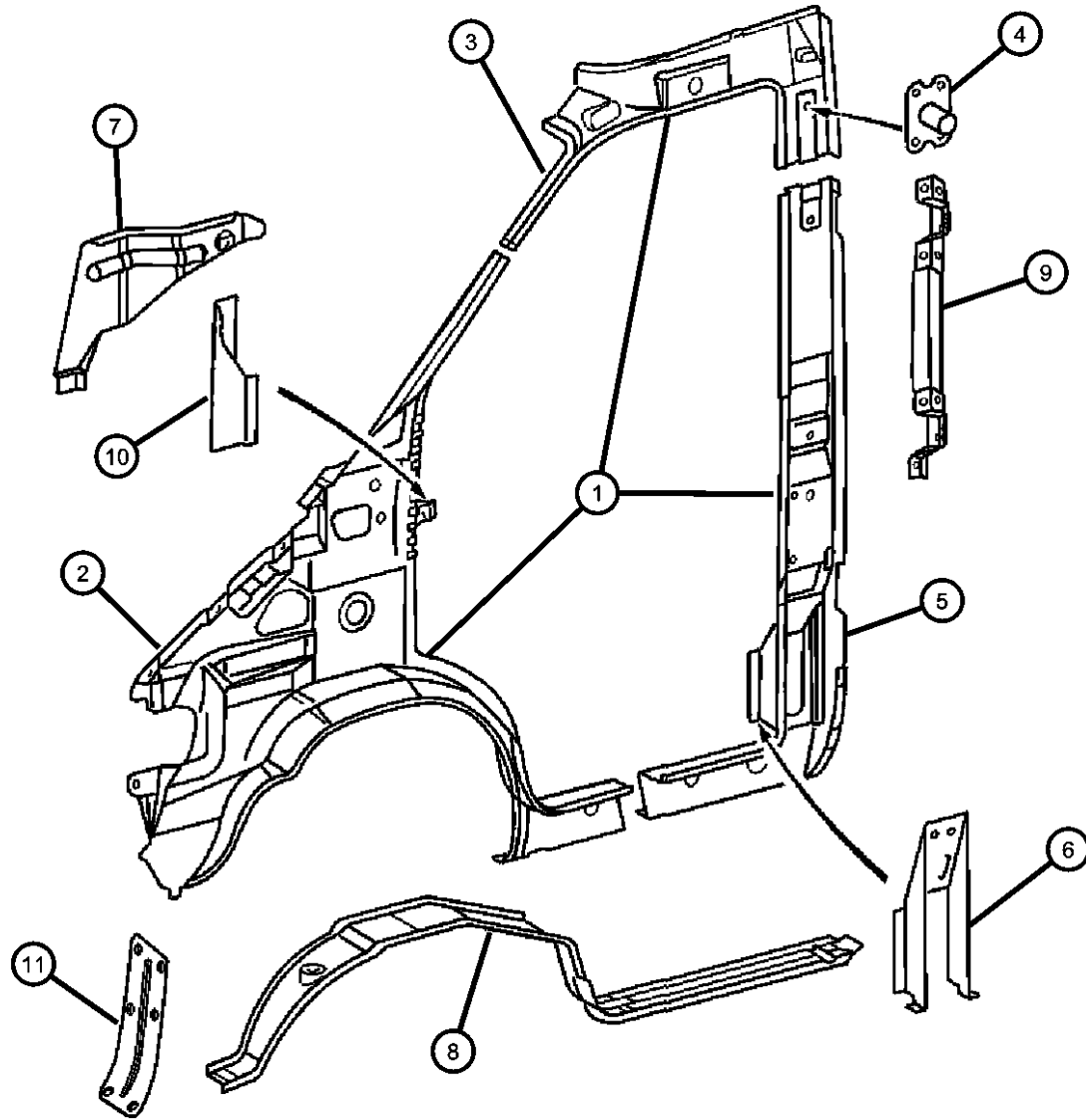
EX8 = 2.7L I5 Turbo Diesel Engine
EX9 = 2.7L I5 Mercedes-Benz TD Engine

TRANSMISSION

DGJ = 5-Speed Automatic MB Transmission
DGZ = 4-Spd. Automatic MT643 Transmission

**Front Aperture, Inner, Left
Figure SVA-810**

ITEM	PART NUMBER	QTY	LINE	SERIES	BODY	ENGINE	TRANS	TRIM	DESCRIPTION	
1	05121784AA	1	2, 6		11, 12, 14, 15, 16				APERTURE, Body Side Door Without Left Sliding Door	
		1	2, 6		51, 52, 54, 55, 56				Without Left Sliding Door	
	05121786AA	1	3, 7		12, 15, 16				Without Left Sliding Door	
		1	2, 6		11, 12, 14, 15, 16				With Left Sliding Door	
			1	2, 6		51, 52, 54, 55, 56				With Left Sliding Door
			1	3, 7		12, 15, 16				With Left Sliding Door
	2	05104184AA	1	2, 6		01, 02, 06				PANEL, Body Side Aperture
1			2, 6		11, 12, 14, 15, 16					
			1	2, 6		51, 52, 54, 55, 56				
			1	3, 7		02, 06				
			1	3, 7		12, 15, 16				
			1	3, 7		12, 15, 16				
3		05121647AA	1	2, 6		11, 12, 14, 15, 16				PANEL, Body Side Aperture Without Left Sliding Door
	1		2, 6		51, 52, 54, 55, 56				Without Left Sliding Door	
	05121649AA	1	3, 7		12, 15, 16				Without Left Sliding Door	
		1	2, 6		01, 02, 06				With Left Sliding Door	
			1	2, 6		11, 12, 14, 15, 16				With Left Sliding Door
			1	2, 6		51, 52, 54, 55, 56				With Left Sliding Door
			1	3, 7		12, 15, 16				With Left Sliding Door
1			3, 7		12, 15, 16				With Left Sliding Door	
4	05125412AA	1	2, 6		01, 02, 06				TAPPING PLATE, Side Panel	



SPRINTER (VA)

SERIES	LINE	BODY	ENGINE	TRANSMISSION
L = LOWLINE	3 = HD DODGE 2WD 8 = HD DODGE 4WD 6 = Lt. Duty DODGE 4WD 2 = Med. Duty DODGE 2WD 7 = Med. Duty DODGE 4WD 4 = TRUCK	01 = CHASSIS FORWARD CONTROL W.B.1 02 = CAB CHASSIS WHEEL BASE 2 06 = CAB CHASSIS WHEEL BASE 6 11 = VAN WHEEL BASE 1 12 = VAN WHEEL BASE 2 51 = WAGON WHEEL BASE 1 52 = WAGON WHEEL BASE 2 14 = VAN WHEEL BASE 4 15 = VAN WHEEL BASE 5 54 = WAGON WHEEL BASE 4 55 = WAGON WHEEL BASE 5 56 = WAGON WHEEL BASE 6 16 = VAN WHEEL BASE 6	EX8 = 2.7L I5 Turbo Diesel Engine EX9 = 2.7L I5 Mercedes-Benz TD Engine	DGJ = 5-Speed Automatic MB Transmission DGZ = 4-Spd. Automatic MT643 Transmission

AR = use ase required - = Non illustrated part

Front Aperture, Inner, Left
Figure SVA-810

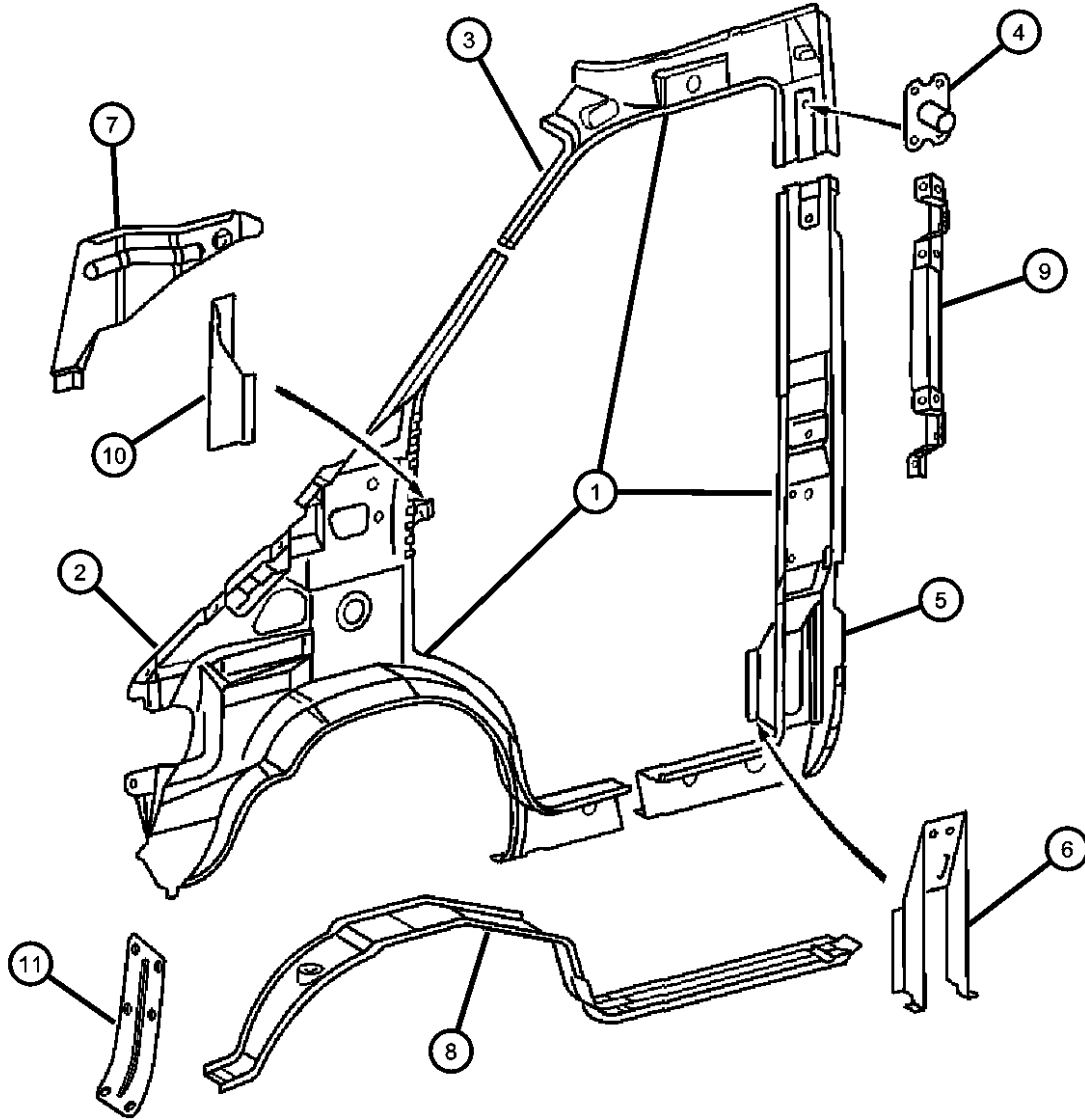
ITEM	PART NUMBER	QTY	LINE	SERIES	BODY	ENGINE	TRANS	TRIM	DESCRIPTION
------	-------------	-----	------	--------	------	--------	-------	------	-------------

		1	2, 6		11, 12, 14, 15, 16				
		1	2, 6		51, 52, 54, 55, 56				
		1	3, 7		02, 06				
		1	3, 7		12, 15, 16				
5									PILLAR, Front Door Lock
	05104186AA	1	2, 6		11, 12, 14, 15, 16				Without Left Sliding Door
		1	2, 6		51, 52, 54, 55, 56				Without Left Sliding Door
		1	3, 7		12, 15, 16				Without Left Sliding Door
	05121668AA	1	2, 6		01, 02, 06				With Left Sliding Door
		1	2, 6		11, 12, 14, 15, 16				With Left Sliding Door
		1	2, 6		51, 52, 54, 55, 56				With Left Sliding Door
		1	3, 7		02, 06				With Left Sliding Door
6									REINFORCEMENT, Center Pillar
	05104189AA	1	2, 6		01, 02, 06				
		1	2, 6		11, 12, 14, 15, 16				
		1	2, 6		51, 52, 54, 55, 56				
7									BRACKET, Body Side Aperture
	05104193AA	1	2, 6		01, 02, 06				
		1	2, 6		11, 12, 14, 15, 16				
		1	2, 6		51, 52, 54, 55, 56				
		1	3, 7		02, 06				
		1	3, 7		12, 15, 16				
8									WHEELHOUSE, Front Inner

SPRINTER (VA)

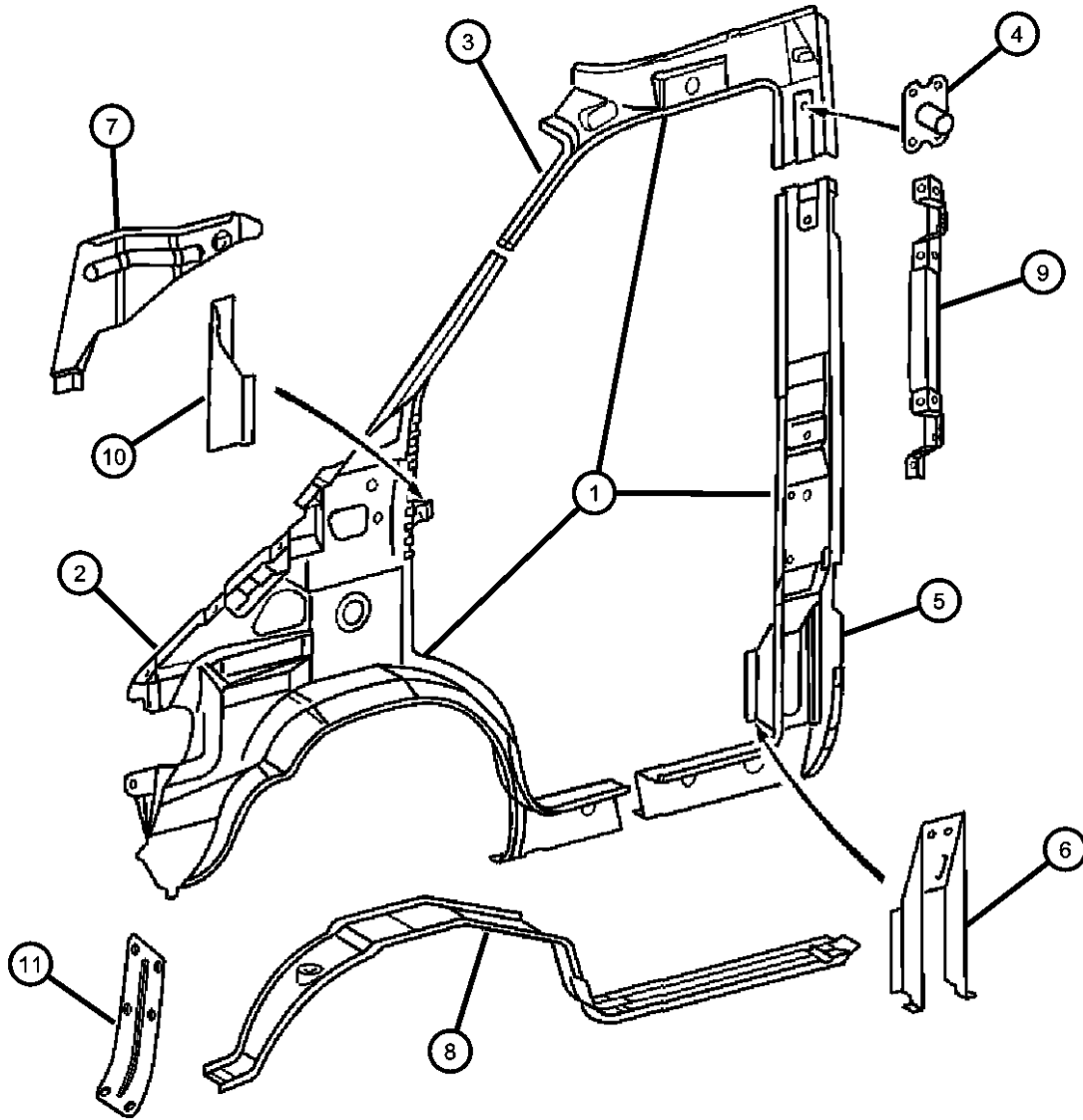
SERIES	LINE	BODY	ENGINE	TRANSMISSION
L = LOWLINE	3 = HD DODGE 2WD	01 = CHASSIS FORWARD CONTROL W.B.1	EX8 = 2.7L I5 Turbo Diesel Engine	DGJ = 5-Speed Automatic MB Transmission
	8 = HD DODGE 4WD	02 = CAB CHASSIS WHEEL BASE 2	EX9 = 2.7L I5 Mercedes-Benz TD Engine	DGZ = 4-Spd. Automatic MT643 Transmission
	6 = Lt. Duty DODGE 4WD	06 = CAB CHASSIS WHEEL BASE 6		
	2 = Med. Duty DODGE 2WD	11 = VAN WHEEL BASE 1		
	7 = Med. Duty DODGE 4WD	12 = VAN WHEEL BASE 2		
	4 = TRUCK	51 = WAGON WHEEL BASE 1		
		52 = WAGON WHEEL BASE 2		
		14 = VAN WHEEL BASE 4		
		15 = VAN WHEEL BASE 5		
		54 = WAGON WHEEL BASE 4		
		55 = WAGON WHEEL BASE 5		
		56 = WAGON WHEEL BASE 6		
		16 = VAN WHEEL BASE 6		

AR = use ase required - = Non illustrated part



Front Aperture, Inner, Left
Figure SVA-810

ITEM	PART NUMBER	QTY	LINE	SERIES	BODY	ENGINE	TRANS	TRIM	DESCRIPTION
------	-------------	-----	------	--------	------	--------	-------	------	-------------



	05104199AA	1	2, 6		01, 02, 06				
		1	2, 6		11, 12, 14, 15, 16				
		1	2, 6		51, 52, 54, 55, 56				
		1	3, 7		02, 06				
9		1	3, 7		12, 15, 16				BRACKET, Grab Handle
	05121721AA	1	2, 6		11, 12, 14, 15, 16				
		1	2, 6		51, 52, 54, 55, 56				
		1	3, 7		12, 15, 16				
10									REINFORCEMENT, Pillar And Cowl
	05133552AA	1	2, 6		01, 02, 06				
		1	2, 6		11, 12, 14, 15, 16				
		1	2, 6		51, 52, 54, 55, 56				
		1	3, 7		02, 06				
11									PANEL, Access
	05129943AA	1	2, 6		01, 02, 06				
		1	2, 6		11, 12, 14, 15, 16				
		1	2, 6		51, 52, 54, 55, 56				
		1	3, 7		02, 06				

SPRINTER (VA)

SERIES

L = LOWLINE

LINE

3 = HD DODGE 2WD
8 = HD DODGE 4WD
6 = Lt. Duty DODGE 4WD
2 = Med. Duty DODGE 2WD
7 = Med. Duty DODGE 4WD
4 = TRUCK

BODY

01 = CHASSIS FORWARD CONTROL W.B.1
02 = CAB CHASSIS WHEEL BASE 2
06 = CAB CHASSIS WHEEL BASE 6
11 = VAN WHEEL BASE 1
12 = VAN WHEEL BASE 2
51 = WAGON WHEEL BASE 1
52 = WAGON WHEEL BASE 2
14 = VAN WHEEL BASE 4
15 = VAN WHEEL BASE 5
54 = WAGON WHEEL BASE 4
55 = WAGON WHEEL BASE 5
56 = WAGON WHEEL BASE 6
16 = VAN WHEEL BASE 6

ENGINE

EX8 = 2.7L I5 Turbo Diesel Engine
EX9 = 2.7L I5 Mercedes-Benz TD Engine

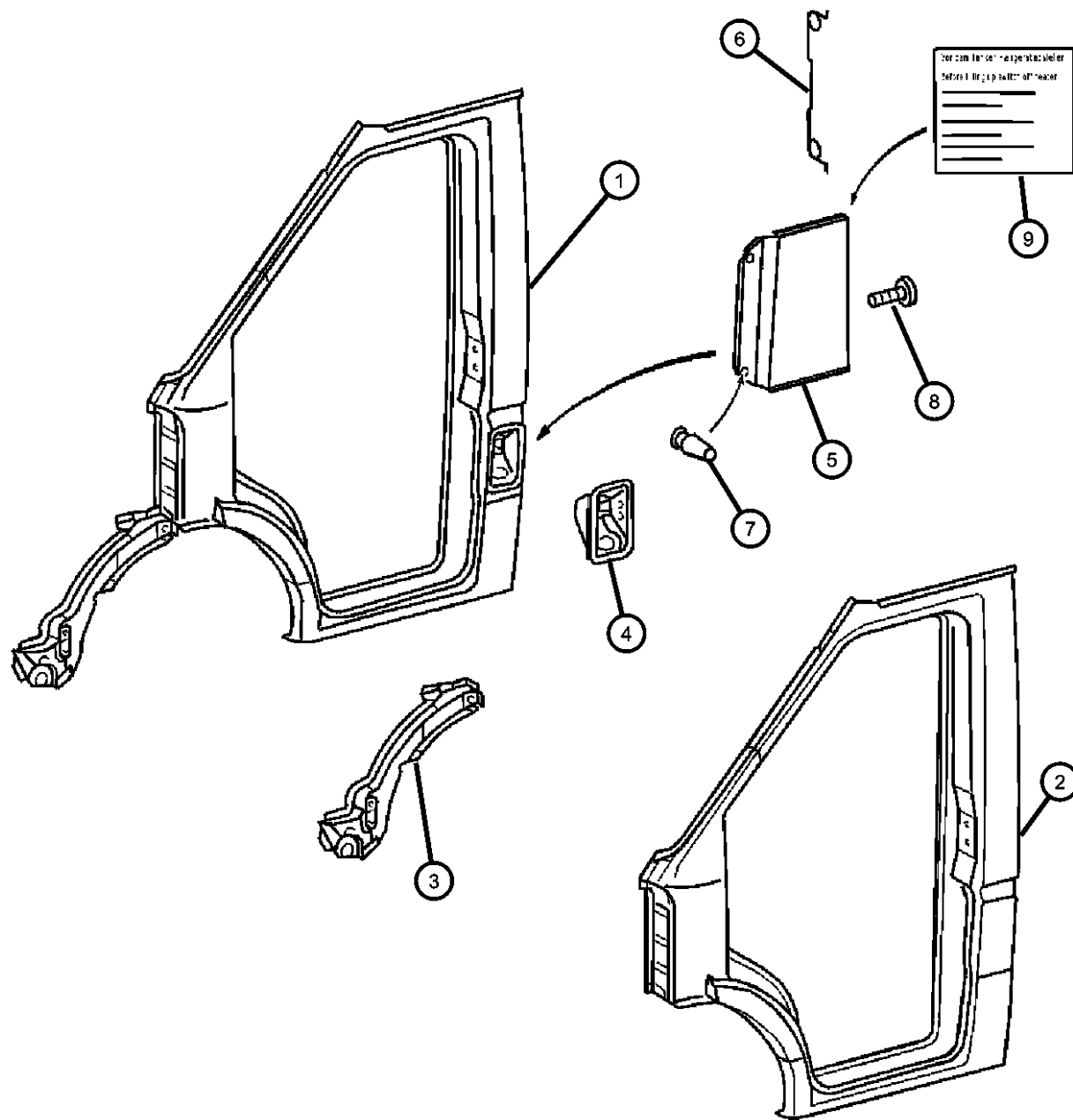
TRANSMISSION

DGJ = 5-Speed Automatic MB Transmission
DGZ = 4-Spd. Automatic MT643 Transmission

AR = use ase required - = Non illustrated part

2006 VA

**Front Aperture, Outer, Left
Figure SVA-820**



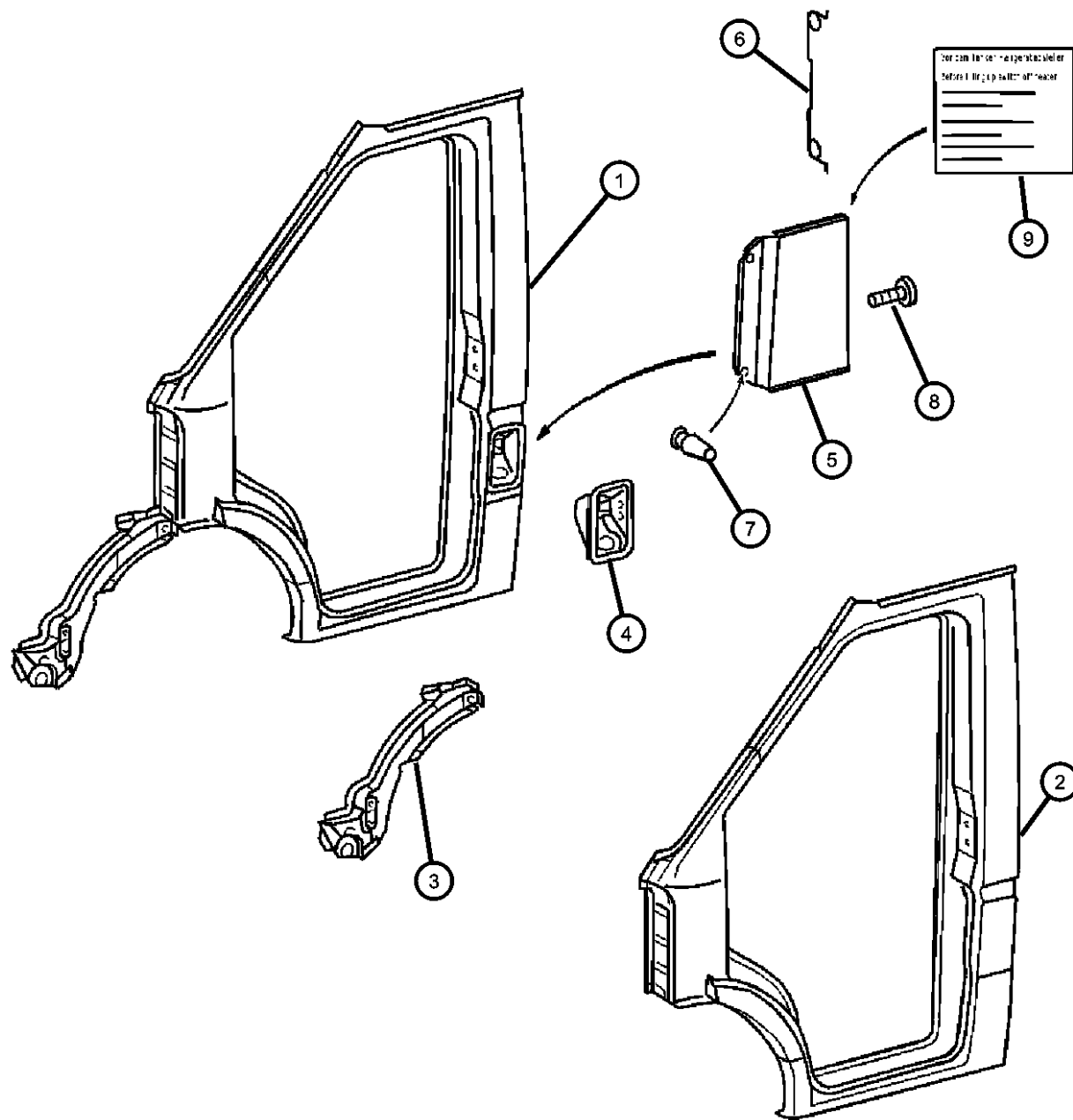
ITEM	PART NUMBER	QTY	LINE	SERIES	BODY	ENGINE	TRANS	TRIM	DESCRIPTION
1									APERTURE, Body Side Door, Complete
	05104182AA	1	2, 6		01, 02, 06				
		1	2, 6		11, 12, 14, 15, 16				
		1	2, 6		51, 52, 54, 55, 56				
		1	3, 7		02, 06				
	05121669AA	1	3, 7		12, 15, 16				Complete Outer Including Wheel Opening
2									APERTURE, Body Side Door, Skin Only, With No Full Door Cutout
	05104220AA	1	2, 6		01, 02, 06				
		1	2, 6		11, 12, 14, 15, 16				
		1	2, 6		51, 52, 54, 55, 56				
		1	3, 7		02, 06				
		1	3, 7		12, 15, 16				
3									PANEL, Fender Extention
	05104192AA	1	2, 6		01, 02, 06				
		1	2, 6		11, 12, 14, 15, 16				
		1	2, 6		51, 52, 54, 55, 56				
		1	3, 7		02, 06				
		1	3, 7		12, 15, 16				
4									HOUSING, Fuel Filler
	05104167AA	1	2, 6		11, 12, 14, 15, 16				
		1	2, 6		51, 52, 54, 55, 56				
		1	3, 7		12, 15, 16				

SPRINTER (VA)

SERIES	LINE	BODY	ENGINE	TRANSMISSION
L = LOWLINE	3 = HD DODGE 2WD 8 = HD DODGE 4WD 6 = Lt. Duty DODGE 4WD 2 = Med. Duty DODGE 2WD 7 = Med. Duty DODGE 4WD 4 = TRUCK	01 = CHASSIS FORWARD CONTROL W.B.1 02 = CAB CHASSIS WHEEL BASE 2 06 = CAB CHASSIS WHEEL BASE 6 11 = VAN WHEEL BASE 1 12 = VAN WHEEL BASE 2 51 = WAGON WHEEL BASE 1 52 = WAGON WHEEL BASE 2 14 = VAN WHEEL BASE 4 15 = VAN WHEEL BASE 5 54 = WAGON WHEEL BASE 4 55 = WAGON WHEEL BASE 5 56 = WAGON WHEEL BASE 6 16 = VAN WHEEL BASE 6	EX8 = 2.7L I5 Turbo Diesel Engine EX9 = 2.7L I5 Mercedes-Benz TD Engine	DGJ = 5-Speed Automatic MB Transmission DGZ = 4-Spd. Automatic MT643 Transmission

AR = use ase required - = Non illustrated part

Front Aperture, Outer, Left
Figure SVA-820



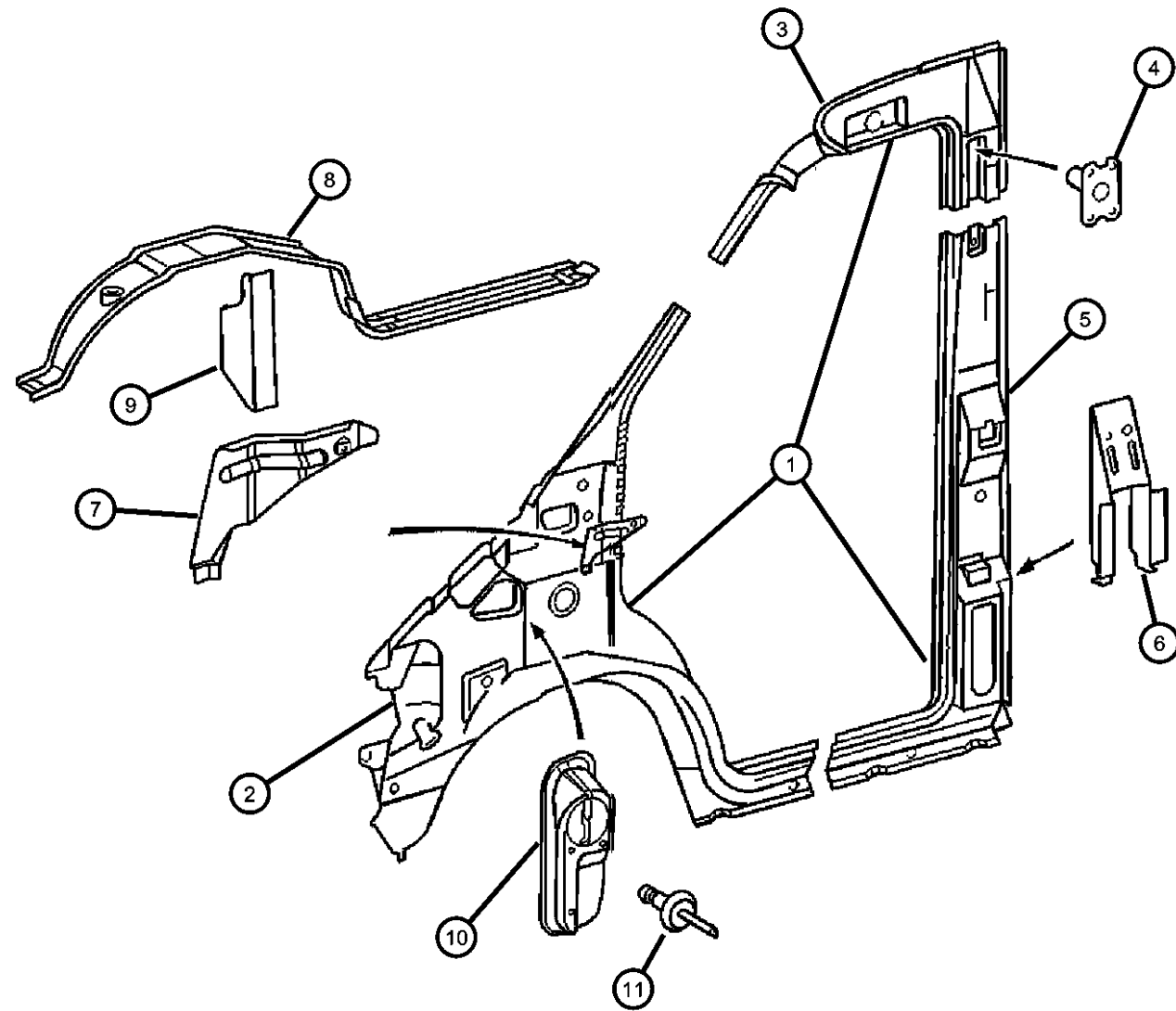
ITEM	PART NUMBER	QTY	LINE	SERIES	BODY	ENGINE	TRANS	TRIM	DESCRIPTION
5	05104399AA	1	2, 6		01, 02, 06				DOOR, Fuel Fill
		1	2, 6		11, 12, 14, 15, 16				
		1	2, 6		51, 52, 54, 55, 56				
6	05104408AA	1	2, 6		01, 02, 06				SPRING, Fuel Filler Door
		1	2, 6		11, 12, 14, 15, 16				
		1	2, 6		51, 52, 54, 55, 56				
7	05103917AA	2	2, 6		01, 02, 06				BUMPER, Fuel Door
		2	2, 6		11, 12, 14, 15, 16				
		2	2, 6		51, 52, 54, 55, 56				
8	05073685AA	2	2, 6		01, 02, 06				SCREW
		2	2, 6		11, 12, 14, 15, 16				
		2	2, 6		51, 52, 54, 55, 56				
9	05104152AA	1	2, 6		01, 02, 06				LABEL, Fuel
		1	2, 6		11, 12, 14, 15, 16				
		1	2, 6		51, 52, 54, 55, 56				
		1	3, 7		02, 06				
		1	3, 7		12, 15, 16				

SPRINTER (VA)

SERIES	LINE	BODY	ENGINE	TRANSMISSION
L = LOWLINE	3 = HD DODGE 2WD 8 = HD DODGE 4WD 6 = Lt. Duty DODGE 4WD 2 = Med. Duty DODGE 2WD 7 = Med. Duty DODGE 4WD 4 = TRUCK	01 = CHASSIS FORWARD CONTROL W.B.1 02 = CAB CHASSIS WHEEL BASE 2 06 = CAB CHASSIS WHEEL BASE 6 11 = VAN WHEEL BASE 1 12 = VAN WHEEL BASE 2 51 = WAGON WHEEL BASE 1 52 = WAGON WHEEL BASE 2 14 = VAN WHEEL BASE 4 15 = VAN WHEEL BASE 5 54 = WAGON WHEEL BASE 4 55 = WAGON WHEEL BASE 5 56 = WAGON WHEEL BASE 6 16 = VAN WHEEL BASE 6	EX8 = 2.7L I5 Turbo Diesel Engine EX9 = 2.7L I5 Mercedes-Benz TD Engine	DGJ = 5-Speed Automatic MB Transmission DGZ = 4-Spd. Automatic MT643 Transmission

AR = use ase required - = Non illustrated part

**Front Aperture, Inner, Right
Figure SVA-830**



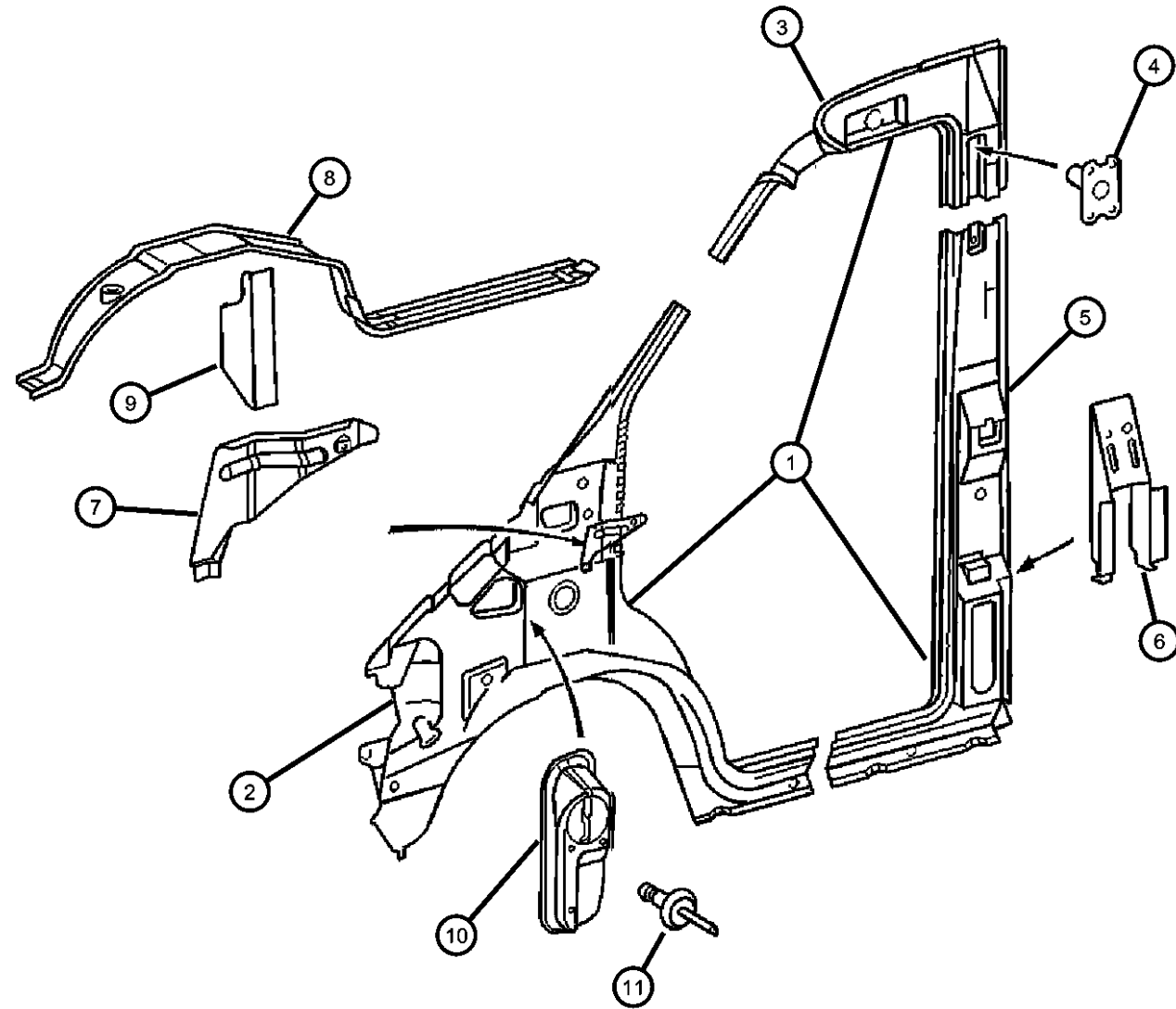
ITEM	PART NUMBER	QTY	LINE	SERIES	BODY	ENGINE	TRANS	TRIM	DESCRIPTION
1	05104183AA	1	2, 6		11, 12, 14, 15, 16				APERTURE, Body Side Door With Sliding Door
		1	2, 6		51, 52, 54, 55, 56				With Sliding Door
		1	3, 7		12, 15, 16				With Sliding Door
		1	2, 6		11, 12, 14, 15, 16				Without Sliding Door
		1	2, 6		51, 52, 54, 55, 56				Without Sliding Door
2	05104185AA	1	3, 7		12, 15, 16				Without Sliding Door
		1	2, 6		01, 02, 06				PANEL, Body Side Aperture
		1	2, 6		11, 12, 14, 15, 16				
		1	2, 6		51, 52, 54, 55, 56				
		1	3, 7		02, 06				
3	05121648AA	1	3, 7		12, 15, 16				PANEL, Body Side Aperture
		1	2, 6		11, 12, 14, 15, 16				Without Sliding Door
		1	2, 6		51, 52, 54, 55, 56				Without Sliding Door
		1	3, 7		12, 15, 16				Without Sliding Door
		1	2, 6		01, 02, 06				With Sliding Door
05121650AA	1	2, 6		11, 12, 14, 15, 16				With Sliding Door	
	1	2, 6		51, 52, 54, 55, 56				With Sliding Door	
	1	2, 6		12, 15, 16				With Sliding Door	
	1	3, 7		12, 15, 16				With Sliding Door	
	1	2, 6		01, 02, 06				TAPPING PLATE, Side Panel	
4	05125412AA	1	2, 6		01, 02, 06				

SPRINTER (VA)

SERIES	LINE	BODY	ENGINE	TRANSMISSION
L = LOWLINE	3 = HD DODGE 2WD 8 = HD DODGE 4WD 6 = Lt. Duty DODGE 4WD 2 = Med. Duty DODGE 2WD 7 = Med. Duty DODGE 4WD 4 = TRUCK	01 = CHASSIS FORWARD CONTROL W.B.1 02 = CAB CHASSIS WHEEL BASE 2 06 = CAB CHASSIS WHEEL BASE 6 11 = VAN WHEEL BASE 1 12 = VAN WHEEL BASE 2 51 = WAGON WHEEL BASE 1 52 = WAGON WHEEL BASE 2 14 = VAN WHEEL BASE 4 15 = VAN WHEEL BASE 5 54 = WAGON WHEEL BASE 4 55 = WAGON WHEEL BASE 5 56 = WAGON WHEEL BASE 6 16 = VAN WHEEL BASE 6	EX8 = 2.7L I5 Turbo Diesel Engine EX9 = 2.7L I5 Mercedes-Benz TD Engine	DGJ = 5-Speed Automatic MB Transmission DGZ = 4-Spd. Automatic MT643 Transmission

AR = use ase required - = Non illustrated part

**Front Aperture, Inner, Right
Figure SVA-830**



ITEM	PART NUMBER	QTY	LINE	SERIES	BODY	ENGINE	TRANS	TRIM	DESCRIPTION
		1	2, 6		11, 12, 14, 15, 16				
		1	2, 6		51, 52, 54, 55, 56				
		1	3, 7		02, 06				
		1	3, 7		12, 15, 16				
5	05121644AA	1	2, 6		11, 12, 14, 15, 16				PANEL, Body Side Aperture Without Sliding Door
		1	2, 6		51, 52, 54, 55, 56				Without Sliding Door
		1	3, 7		12, 15, 16				Without Sliding Door
	05121645AA	1	2, 6		01, 02, 06				With Sliding Door
		1	2, 6		11, 12, 14, 15, 16				With Sliding Door
		1	2, 6		51, 52, 54, 55, 56				With Sliding Door
		1	3, 7		02, 06				With Sliding Door
6	05104189AA	1	2, 6		01, 02, 06				REINFORCEMENT, Center Pillar
		1	2, 6		11, 12, 14, 15, 16				
		1	2, 6		51, 52, 54, 55, 56				
7	05104195AA	1	2, 6		01, 02, 06				BRACKET, Instrument Panel
		1	2, 6		11, 12, 14, 15, 16				
		1	2, 6		51, 52, 54, 55, 56				
		1	3, 7		02, 06				
		1	3, 7		12, 15, 16				
8									WHEELHOUSE, Front Inner

SPRINTER (VA)

SERIES

L = LOWLINE

LINE

3 = HD DODGE 2WD
8 = HD DODGE 4WD
6 = Lt. Duty DODGE 4WD
2 = Med. Duty DODGE 2WD
7 = Med. Duty DODGE 4WD
4 = TRUCK

BODY

01 = CHASSIS FORWARD CONTROL W.B.1
02 = CAB CHASSIS WHEEL BASE 2
06 = CAB CHASSIS WHEEL BASE 6
11 = VAN WHEEL BASE 1
12 = VAN WHEEL BASE 2
51 = WAGON WHEEL BASE 1
52 = WAGON WHEEL BASE 2
14 = VAN WHEEL BASE 4
15 = VAN WHEEL BASE 5
54 = WAGON WHEEL BASE 4
55 = WAGON WHEEL BASE 5
56 = WAGON WHEEL BASE 6
16 = VAN WHEEL BASE 6

ENGINE

EX8 = 2.7L I5 Turbo Diesel Engine
EX9 = 2.7L I5 Mercedes-Benz TD Engine

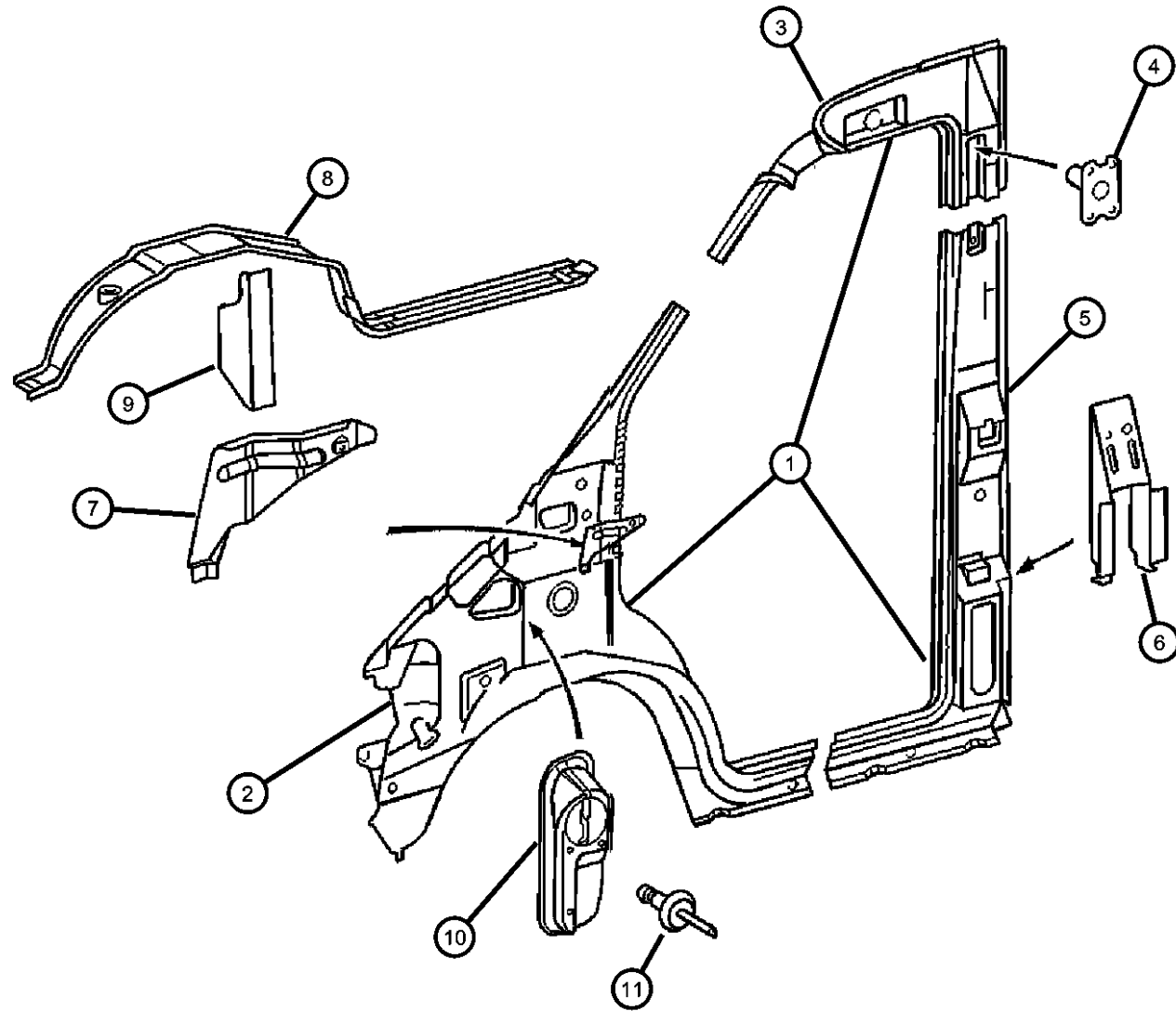
TRANSMISSION

DGJ = 5-Speed Automatic MB Transmission
DGZ = 4-Spd. Automatic MT643 Transmission

AR = use ase required - = Non illustrated part

2006 VA

Front Aperture, Inner, Right
Figure SVA-830



ITEM	PART NUMBER	QTY	LINE	SERIES	BODY	ENGINE	TRANS	TRIM	DESCRIPTION
	05104200AA	1	2, 6		01, 02, 06				
		1	2, 6		11, 12, 14, 15, 16				
		1	2, 6		51, 52, 54, 55, 56				
		1	3, 7		02, 06				
		1	3, 7		12, 15, 16				
9									REINFORCEMENT, Pillar And Cowl
	05133552AA	1	2, 6		01, 02, 06				
		1	2, 6		11, 12, 14, 15, 16				
		1	2, 6		51, 52, 54, 55, 56				
		1	3, 7		02, 06				
		1	3, 7		12, 15, 16				
10									BUSHING, Door Aperture
	05104187AA	1	2, 6		01, 02, 06				
		1	2, 6		11, 12, 14, 15, 16				
		1	2, 6		51, 52, 54, 55, 56				
		1	3, 7		02, 06				
		1	3, 7		12, 15, 16				
11									RIVET
	05133554AA	3	2, 6		01, 02, 06				
		3	2, 6		11, 12, 14, 15, 16				
		3	2, 6		51, 52, 54, 55, 56				
		3	3, 7		02, 06				
		3	3, 7		12, 15, 16				

SPRINTER (VA)

SERIES

L = LOWLINE

LINE

3 = HD DODGE 2WD
8 = HD DODGE 4WD
6 = Lt. Duty DODGE 4WD
2 = Med. Duty DODGE 2WD
7 = Med. Duty DODGE 4WD
4 = TRUCK

BODY

01 = CHASSIS FORWARD CONTROL W.B.1
02 = CAB CHASSIS WHEEL BASE 2
06 = CAB CHASSIS WHEEL BASE 6
11 = VAN WHEEL BASE 1
12 = VAN WHEEL BASE 2
51 = WAGON WHEEL BASE 1
52 = WAGON WHEEL BASE 2
14 = VAN WHEEL BASE 4
15 = VAN WHEEL BASE 5
54 = WAGON WHEEL BASE 4
55 = WAGON WHEEL BASE 5
56 = WAGON WHEEL BASE 6
16 = VAN WHEEL BASE 6

ENGINE

EX8 = 2.7L I5 Turbo Diesel Engine
EX9 = 2.7L I5 Mercedes-Benz TD Engine

TRANSMISSION

DGJ = 5-Speed Automatic MB Transmission
DGZ = 4-Spd. Automatic MT643 Transmission

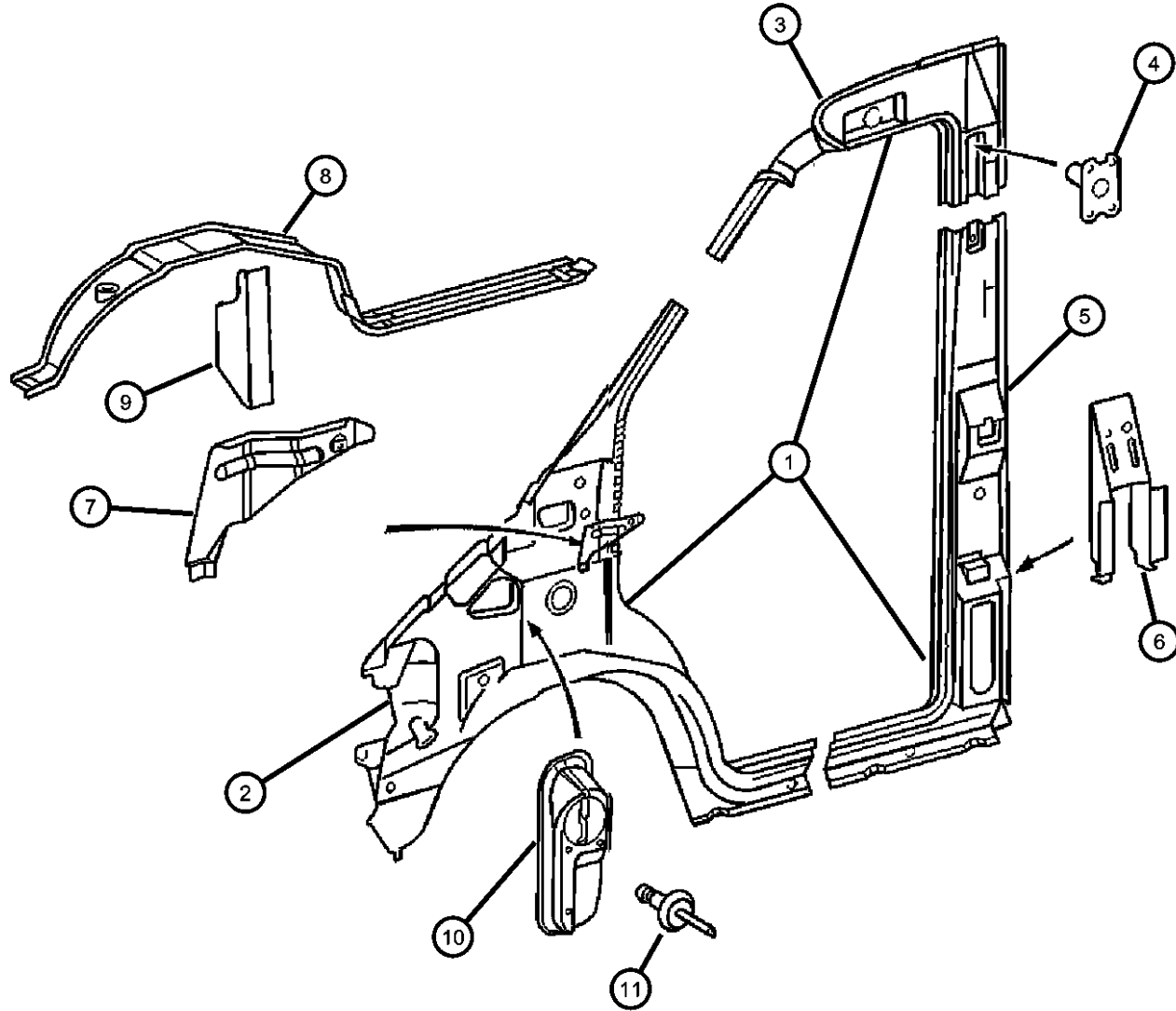
AR = use ase required - = Non illustrated part

2006 VA

Front Aperture, Inner, Right
Figure SVA-830

ITEM	PART NUMBER	QTY	LINE	SERIES	BODY	ENGINE	TRANS	TRIM	DESCRIPTION
------	-------------	-----	------	--------	------	--------	-------	------	-------------

12									COVER
	05122859AA	1	2, 6		01, 02, 06				
		1	2, 6		11, 12, 14, 15, 16				
		1	2, 6		51, 52, 54, 55, 56				
		1	3, 7		02, 06				
		1	3, 7		12, 15, 16				



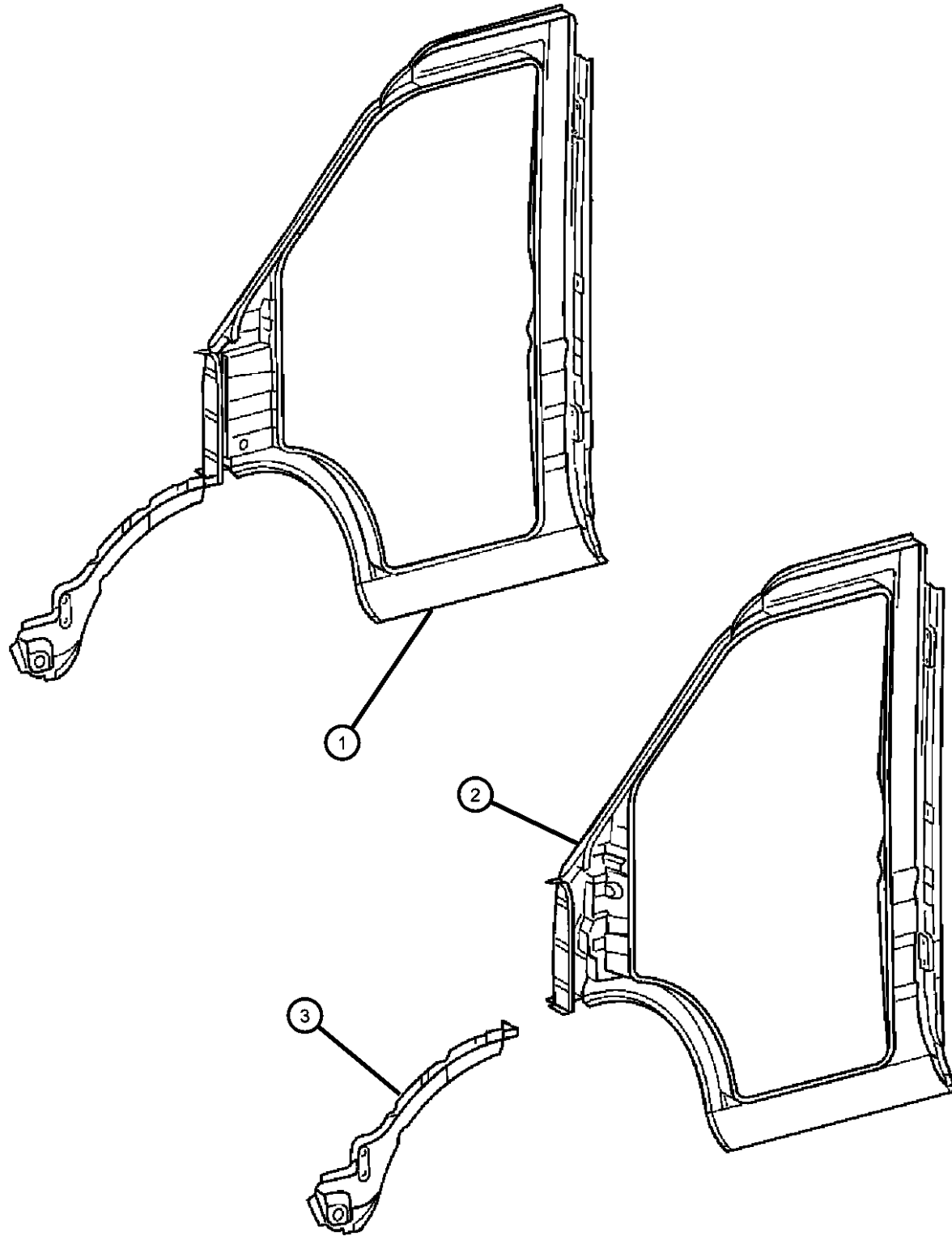
SPRINTER (VA)

SERIES	LINE	BODY	ENGINE	TRANSMISSION
L = LOWLINE	3 = HD DODGE 2WD 8 = HD DODGE 4WD 6 = Lt. Duty DODGE 4WD 2 = Med. Duty DODGE 2WD 7 = Med. Duty DODGE 4WD 4 = TRUCK	01 = CHASSIS FORWARD CONTROL W.B.1 02 = CAB CHASSIS WHEEL BASE 2 06 = CAB CHASSIS WHEEL BASE 6 11 = VAN WHEEL BASE 1 12 = VAN WHEEL BASE 2 51 = WAGON WHEEL BASE 1 52 = WAGON WHEEL BASE 2 14 = VAN WHEEL BASE 4 15 = VAN WHEEL BASE 5 54 = WAGON WHEEL BASE 4 55 = WAGON WHEEL BASE 5 56 = WAGON WHEEL BASE 6 16 = VAN WHEEL BASE 6	EX8 = 2.7L I5 Turbo Diesel Engine EX9 = 2.7L I5 Mercedes-Benz TD Engine	DGJ = 5-Speed Automatic MB Transmission DGZ = 4-Spd. Automatic MT643 Transmission

AR = use ase required - = Non illustrated part

2006 VA

**Front Aperture, Outer, Right
Figure SVA-840**



ITEM	PART NUMBER	QTY	LINE	SERIES	BODY	ENGINE	TRANS	TRIM	DESCRIPTION
1									APERTURE, Body Side Door
	05121683AA	1	2, 6		11, 12, 14, 15, 16				
		1	2, 6		01, 02, 06				
		1	2, 6		51, 52, 54, 55, 56				
		1	3, 7		02, 06				
		1	3, 7		12, 15, 16				
2									APERTURE, Body Side Door
	05104221AA	1	2, 6		01, 02, 06				
		1	3, 7		12, 15, 16				
		1	2, 6		11, 12, 14, 15, 16				
		1	2, 6		51, 52, 54, 55, 56				
		1	3, 7		02, 06				
3									PANEL, Fender Extentsion
	05104190AA	1	2, 6		01, 02, 06				
		1	2, 6		11, 12, 14, 15, 16				
		1	2, 6		51, 52, 54, 55, 56				
		1	3, 7		02, 06				
		1	3, 7		12, 15, 16				

SPRINTER (VA)

SERIES

L = LOWLINE
 3 = HD DODGE 2WD
 8 = HD DODGE 4WD
 6 = Lt. Duty DODGE 4WD
 2 = Med. Duty DODGE 2WD
 7 = Med. Duty DODGE 4WD
 4 = TRUCK

LINE

BODY

01 = CHASSIS FORWARD CONTROL W.B.1
 02 = CAB CHASSIS WHEEL BASE 2
 06 = CAB CHASSIS WHEEL BASE 6
 11 = VAN WHEEL BASE 1
 12 = VAN WHEEL BASE 2
 51 = WAGON WHEEL BASE 1
 52 = WAGON WHEEL BASE 2
 14 = VAN WHEEL BASE 4
 15 = VAN WHEEL BASE 5
 54 = WAGON WHEEL BASE 4
 55 = WAGON WHEEL BASE 5
 56 = WAGON WHEEL BASE 6
 16 = VAN WHEEL BASE 6

ENGINE

EX8 = 2.7L I5 Turbo Diesel Engine
 EX9 = 2.7L I5 Mercedes-Benz TD Engine

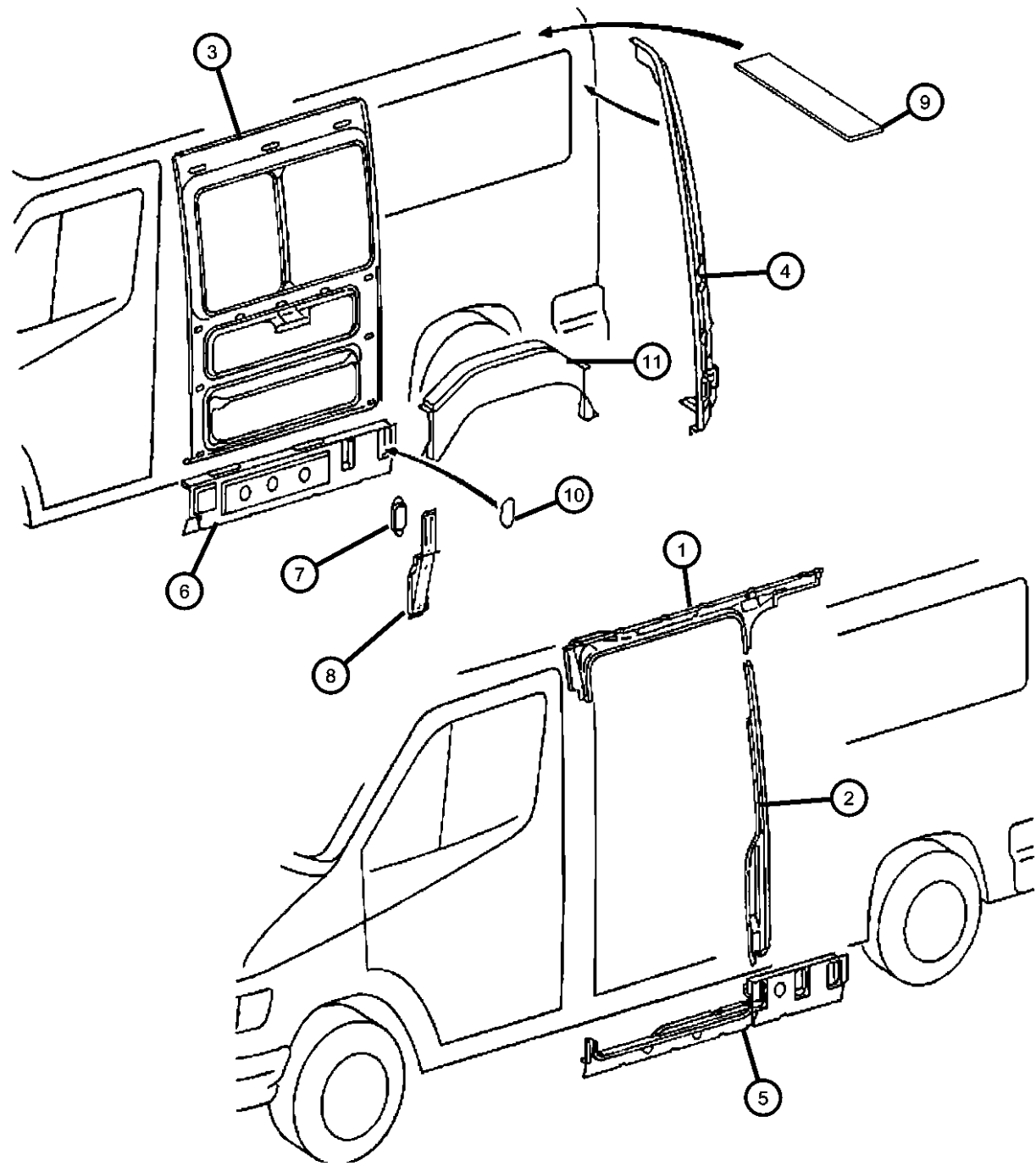
TRANSMISSION

DGJ = 5-Speed Automatic MB Transmission
 DGZ = 4-Spd. Automatic MT643 Transmission

AR = use ase required - = Non illustrated part

2006 VA

**Left Side, Cargo Door Pillars & Wheelhouse
Figure SVA-905**



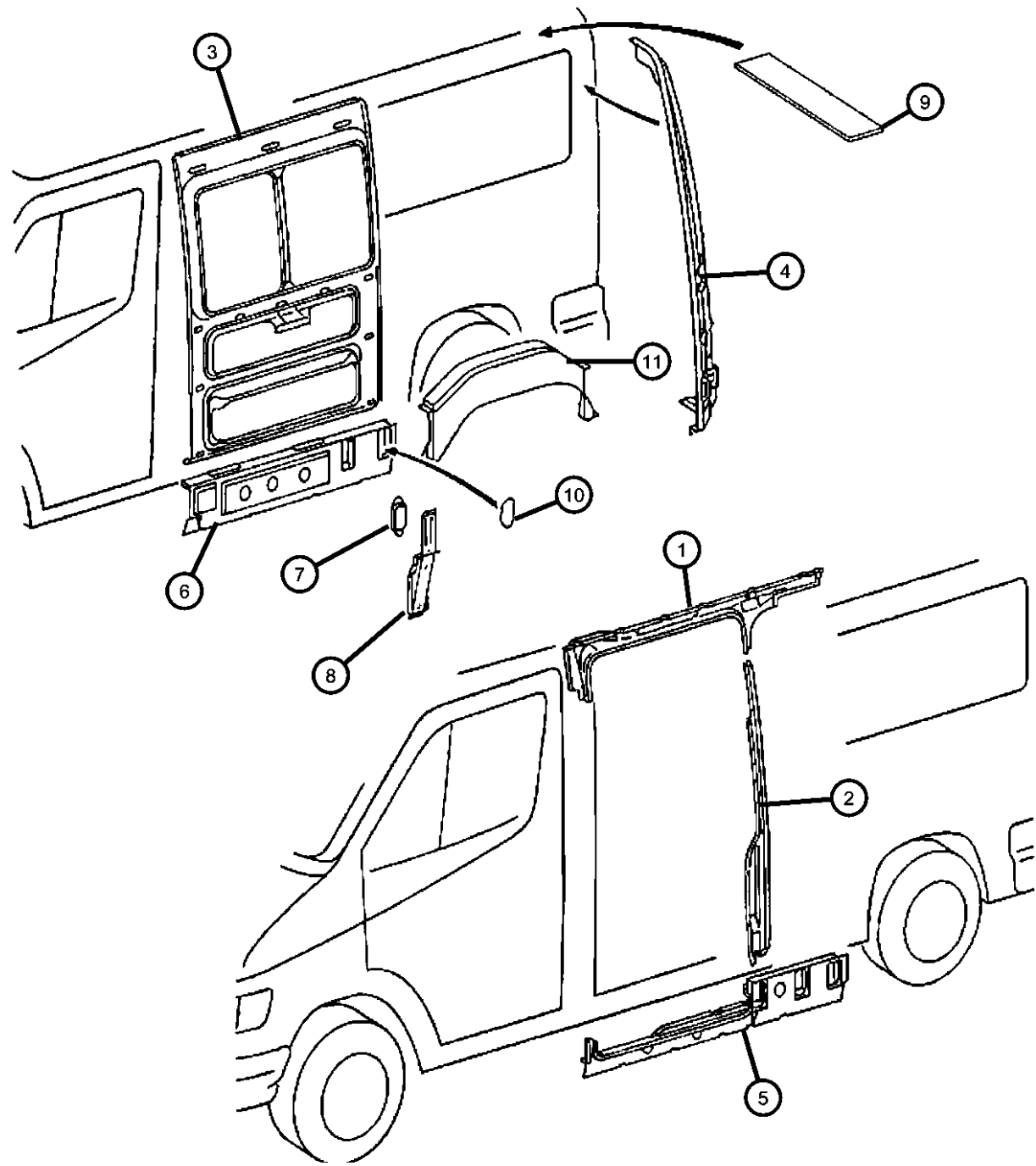
ITEM	PART NUMBER	QTY	LINE	SERIES	BODY	ENGINE	TRANS	TRIM	DESCRIPTION
1									REINFORCEMENT, Body Side Aperture
	05121903AA	1	2, 6		11, 12, 14, 15, 16				With [GKE], Left
		1	2, 6		51, 52, 54, 55, 56				With [GKE], Left
		1	3, 7		12, 15, 16				With [GKE], Left
2									PILLAR, Side Cargo Door
	05121914AA	1	2, 6		11, 12, 14, 15, 16				With [GKE], Left
		1	2, 6		51, 52, 54, 55, 56				With [GKE], Left
		1	3, 7		12, 15, 16				With [GKE], Left
3									PANEL, Body Side Front
	05104197AA	1	2, 6		11, 12, 14, 15, 16				Front
		1	2, 6		51, 52, 54, 55, 56				Front
		1	3, 7		12, 15, 16				Front
4									PILLAR, Rear Cargo Door Hinge
	05104177AA	1	2, 6		14, 15, 16				With [MWJ]
		1	2, 6		54, 55, 56				With [MWJ]
		1	3, 7		15, 16				With [MWJ]
	05121906AA	1	2, 6		11, 12				Without [MWJ]
		1	2, 6		51, 52				Without [MWJ]
		1	3, 7		12				Without [MWJ]
5									SUPPORT, Sill Reinforcement
	05121749AA	1	2, 6		11, 14				With [5AC + GKE]
		1	2, 6		51, 54				With [5AC + GKE]
	05121751AA	1	2, 6		12, 15				With [5AE + GKE]
		1	2, 6		52, 55				With [5AE + GKE]
	05121754AA	1	2, 6		16				With [5AF + GKE]

SPRINTER (VA)

SERIES	LINE	BODY	ENGINE	TRANSMISSION
L = LOWLINE	3 = HD DODGE 2WD 8 = HD DODGE 4WD 6 = Lt. Duty DODGE 4WD 2 = Med. Duty DODGE 2WD 7 = Med. Duty DODGE 4WD 4 = TRUCK	01 = CHASSIS FORWARD CONTROL W.B.1 02 = CAB CHASSIS WHEEL BASE 2 06 = CAB CHASSIS WHEEL BASE 6 11 = VAN WHEEL BASE 1 12 = VAN WHEEL BASE 2 51 = WAGON WHEEL BASE 1 52 = WAGON WHEEL BASE 2 14 = VAN WHEEL BASE 4 15 = VAN WHEEL BASE 5 54 = WAGON WHEEL BASE 4 55 = WAGON WHEEL BASE 5 56 = WAGON WHEEL BASE 6 16 = VAN WHEEL BASE 6	EX8 = 2.7L I5 Turbo Diesel Engine EX9 = 2.7L I5 Mercedes-Benz TD Engine	DGJ = 5-Speed Automatic MB Transmission DGZ = 4-Spd. Automatic MT643 Transmission

AR = use ase required - = Non illustrated part

**Left Side, Cargo Door Pillars & Wheelhouse
Figure SVA-905**



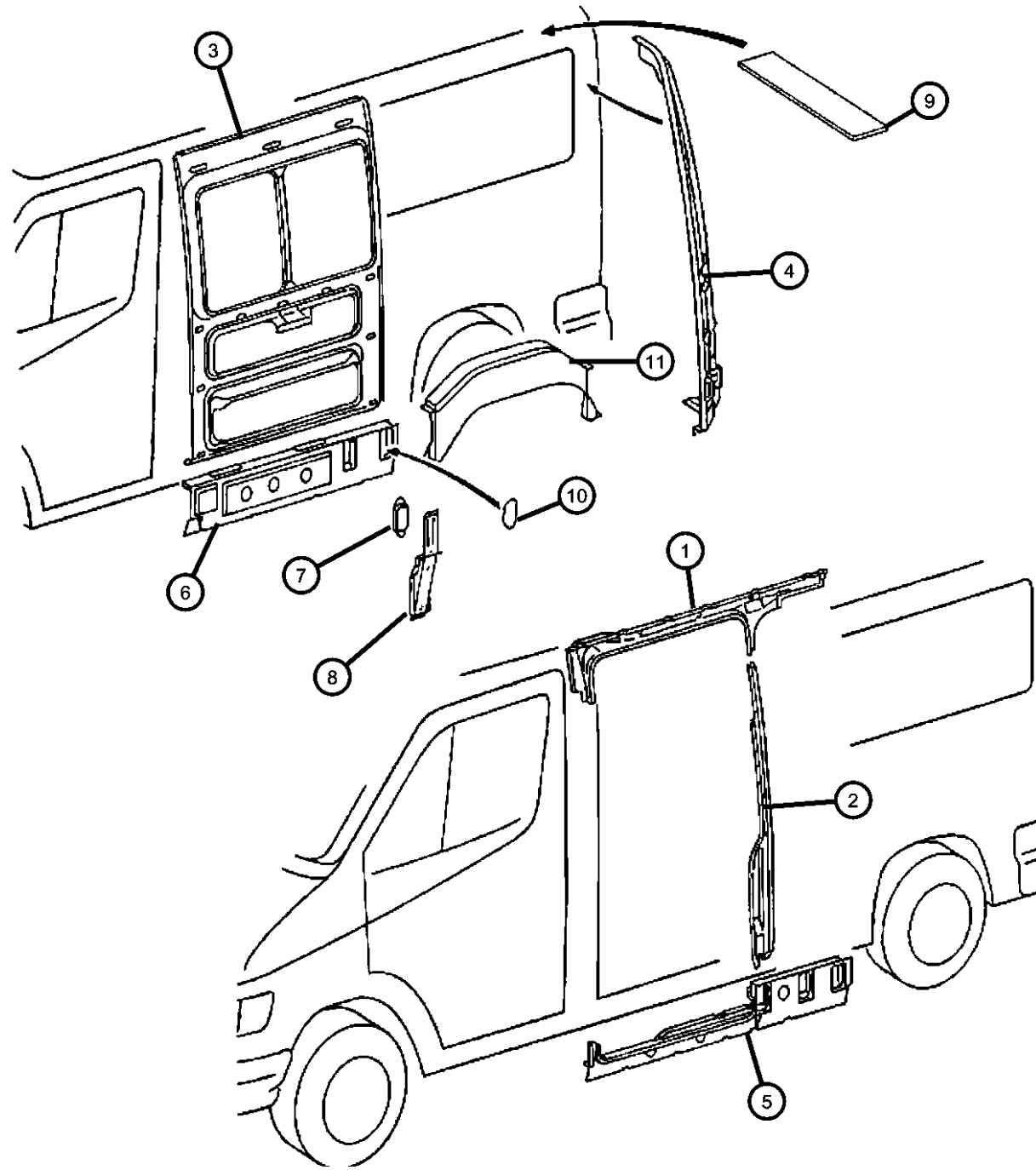
ITEM	PART NUMBER	QTY	LINE	SERIES	BODY	ENGINE	TRANS	TRIM	DESCRIPTION
		1	2, 6		56				With [5AF + GKE] SUPPORT, Sill Reinforcement
6	05104175AA	1	2, 6		16				With [5AF] Without Sliding Door, Left
		1	2, 6		56				With [5AF] Without Sliding Door, Left
	05121759AA	1	2, 6		11, 14				With [5AC] Without Sliding Door, Left
		1	2, 6		51, 54				With [5AC] Without Sliding Door, Left
	05121761AA	1	2, 6		12, 15				With [5AE] Without Sliding Door, Left
		1	2, 6		52, 55				With [5AE] Without Sliding Door, Left
7	05125519AA	1	2, 6		11, 14				PLUG, Body
		1	2, 6		12, 15				
		1	3, 7		12, 15, 16				
8	05104198AA	1	2, 6		12, 15				REINFORCEMENT, Side Panel
		1	2, 6		52, 55				
		1	3, 7		12, 15, 16				
9	05121446AA	1	2, 6		11, 12, 14, 15, 16				SEAL, Fender To Cowl Pillar To Roof Seal
		1	2, 6		51, 52, 54, 55, 56				Pillar To Roof Seal
		1	3, 7		12, 15, 16				Pillar To Roof Seal
10	05121838AA	1	2, 6		11, 12, 14, 15, 16				COVER, Sill
		1	2, 6		51, 52, 54, 55, 56				

SPRINTER (VA)

SERIES	LINE	BODY	ENGINE	TRANSMISSION
L = LOWLINE	3 = HD DODGE 2WD 8 = HD DODGE 4WD 6 = Lt. Duty DODGE 4WD 2 = Med. Duty DODGE 2WD 7 = Med. Duty DODGE 4WD 4 = TRUCK	01 = CHASSIS FORWARD CONTROL W.B.1 02 = CAB CHASSIS WHEEL BASE 2 06 = CAB CHASSIS WHEEL BASE 6 11 = VAN WHEEL BASE 1 12 = VAN WHEEL BASE 2 51 = WAGON WHEEL BASE 1 52 = WAGON WHEEL BASE 2 14 = VAN WHEEL BASE 4 15 = VAN WHEEL BASE 5 54 = WAGON WHEEL BASE 4 55 = WAGON WHEEL BASE 5 56 = WAGON WHEEL BASE 6 16 = VAN WHEEL BASE 6	EX8 = 2.7L I5 Turbo Diesel Engine EX9 = 2.7L I5 Mercedes-Benz TD Engine	DGJ = 5-Speed Automatic MB Transmission DGZ = 4-Spd. Automatic MT643 Transmission

AR = use ase required - = Non illustrated part

**Left Side, Cargo Door Pillars & Wheelhouse
Figure SVA-905**



ITEM	PART NUMBER	QTY	LINE	SERIES	BODY	ENGINE	TRANS	TRIM	DESCRIPTION
		1	3, 7		12, 15, 16				
11									WHEELHOUSE
	05121862AA	1	2, 6		11, 12, 14, 15, 16				
		1	2, 6		51, 52, 54, 55, 56				With [WDG]
	05121865AA	1	2, 6		11, 12, 14, 15, 16				With [WDG]
		1	2, 6		51, 52, 54, 55, 56				With [WDG]
		1	3, 7		12, 15, 16				

SPRINTER (VA)

SERIES
L = LOWLINE

LINE

3 = HD DODGE 2WD
8 = HD DODGE 4WD
6 = Lt. Duty DODGE 4WD
2 = Med. Duty DODGE 2WD
7 = Med. Duty DODGE 4WD
4 = TRUCK

BODY

01 = CHASSIS FORWARD CONTROL W.B.1
02 = CAB CHASSIS WHEEL BASE 2
06 = CAB CHASSIS WHEEL BASE 6
11 = VAN WHEEL BASE 1
12 = VAN WHEEL BASE 2
51 = WAGON WHEEL BASE 1
52 = WAGON WHEEL BASE 2
14 = VAN WHEEL BASE 4
15 = VAN WHEEL BASE 5
54 = WAGON WHEEL BASE 4
55 = WAGON WHEEL BASE 5
56 = WAGON WHEEL BASE 6
16 = VAN WHEEL BASE 6

ENGINE

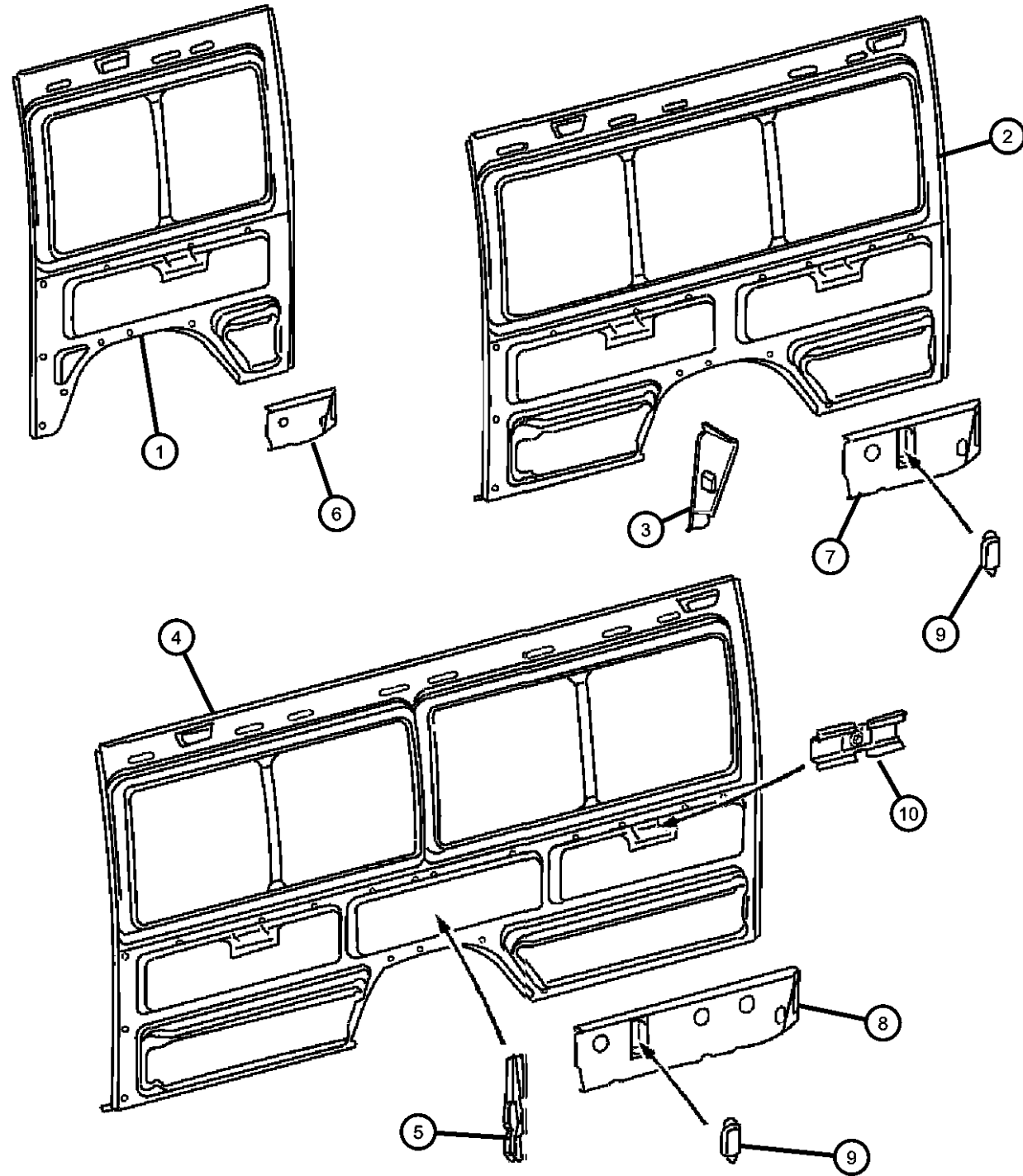
EX8 = 2.7L I5 Turbo Diesel Engine
EX9 = 2.7L I5 Mercedes-Benz TD Engine

TRANSMISSION

DGJ = 5-Speed Automatic MB Transmission
DGZ = 4-Spd. Automatic MT643 Transmission

AR = use ase required - = Non illustrated part

Left Side, Inner Support Panels
Figure SVA-910



ITEM	PART NUMBER	QTY	LINE	SERIES	BODY	ENGINE	TRANS	TRIM	DESCRIPTION
1	05121888AA	1	2, 6		11, 14				PANEL, Body Side Rear With [5AC]
		1	2, 6		51, 54				With [5AC]
2	05121890AA	1	2, 6		12, 15				PANEL, Body Side Rear With [5AE], Left
		1	2, 6		52, 55				With [5AE], Left
		1	3, 7		12, 15				With [5AE], Left
3	05129937AA	2	2, 6		11, 12, 14, 15, 16				PANEL, Rear Side With [WDG]
		2	2, 6		51, 52, 54, 55, 56				With [WDG]
4	05104202AA	1	2, 6		16				PANEL, Body Side Rear With [5AF]
		1	2, 6		56				With [5AF]
		1	3, 7		16				With [5AF]
	05121890AA	1	2, 6		12, 15				With [5AE], Left
		1	2, 6		52, 55				With [5AE], Left
		1	3, 7		12, 15				With [5AE], Left
5	05121706AA	1	2, 6		11, 12, 14, 15, 16				REINFORCEMENT, Quarter Inner With [5AF]
		1	2, 6		51, 52, 54, 55, 56				With [5AF]
		1	3, 7		12, 15, 16				With [5AF]
6	05121737AA	1	2, 6		11, 14				SUPPORT With [5AC]
		1	2, 6		51, 54				With [5AC]
7	05121741AA	1	2, 6		12, 15				SUPPORT With [5AE]

SPRINTER (VA)

SERIES

L = LOWLINE

LINE

3 = HD DODGE 2WD
8 = HD DODGE 4WD
6 = Lt. Duty DODGE 4WD
2 = Med. Duty DODGE 2WD
7 = Med. Duty DODGE 4WD
4 = TRUCK

BODY

01 = CHASSIS FORWARD CONTROL W.B.1
02 = CAB CHASSIS WHEEL BASE 2
06 = CAB CHASSIS WHEEL BASE 6
11 = VAN WHEEL BASE 1
12 = VAN WHEEL BASE 2
51 = WAGON WHEEL BASE 1
52 = WAGON WHEEL BASE 2
14 = VAN WHEEL BASE 4
15 = VAN WHEEL BASE 5
54 = WAGON WHEEL BASE 4
55 = WAGON WHEEL BASE 5
56 = WAGON WHEEL BASE 6
16 = VAN WHEEL BASE 6

ENGINE

EX8 = 2.7L I5 Turbo Diesel Engine
EX9 = 2.7L I5 Mercedes-Benz TD Engine

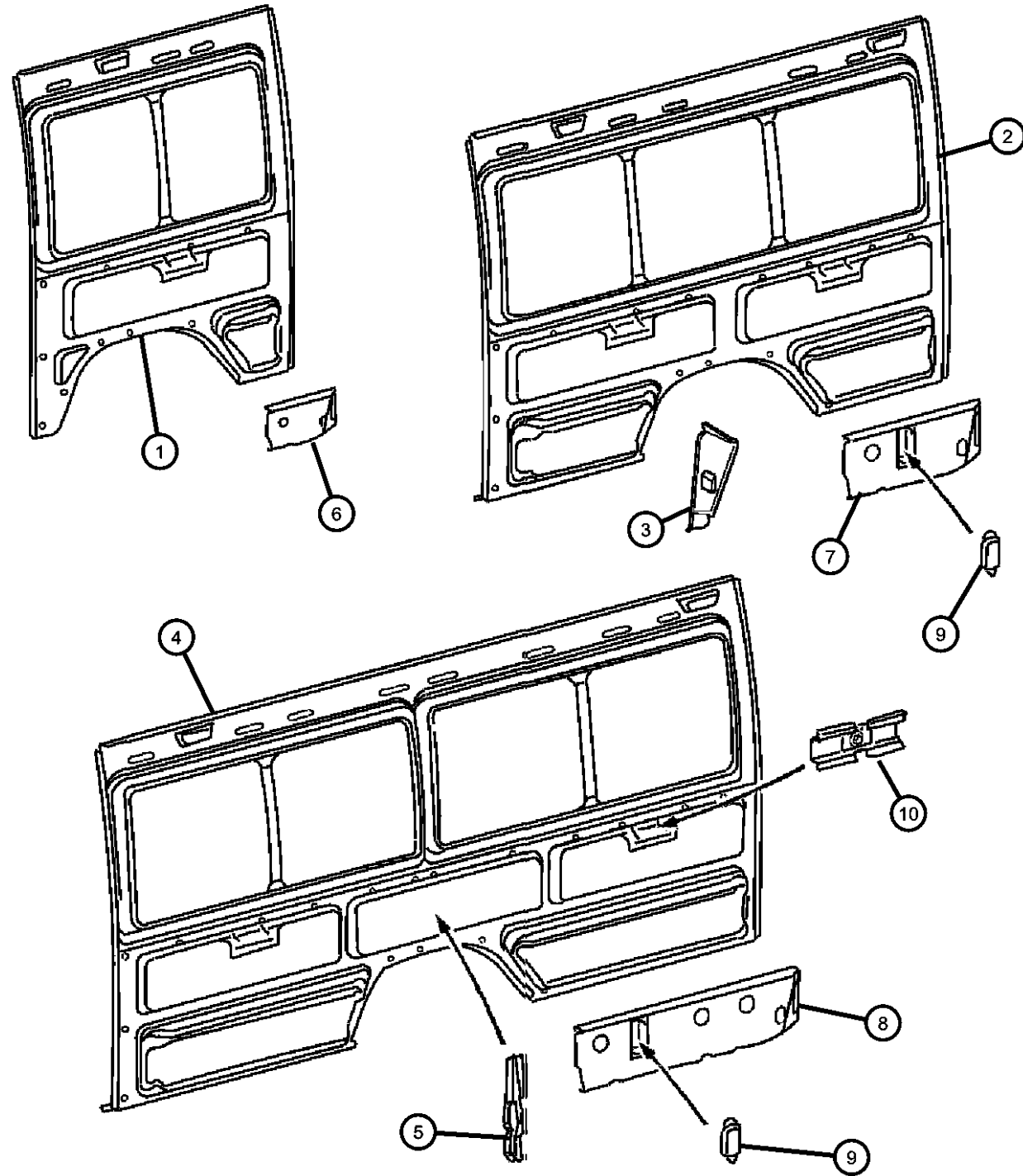
TRANSMISSION

DGJ = 5-Speed Automatic MB Transmission
DGZ = 4-Spd. Automatic MT643 Transmission

AR = use ase required - = Non illustrated part

2006 VA

Left Side, Inner Support Panels
Figure SVA-910



ITEM	PART NUMBER	QTY	LINE	SERIES	BODY	ENGINE	TRANS	TRIM	DESCRIPTION
		1	2, 6		52, 55				With [5AE]
		1	3, 7		12, 15				With [5AE]
8	05121745AA	1	2, 6		16				SUPPORT
		1	2, 6		56				With [5AF]
		1	3, 7		16				With [5AF]
9	05125519AA	1	2, 6		11, 14				PLUG, Body
		1	2, 6		12, 15				
		1	2, 6		51, 54				
		1	2, 6		52, 55				
		1	3, 7		12, 15, 16				
10	05131057AA	2	2, 6		11, 12, 14, 15, 16				REINFORCEMENT, Side Panel
		1	2, 6		51, 52, 54, 55, 56				With [CFB], Left

SPRINTER (VA)

SERIES

L = LOWLINE

LINE

3 = HD DODGE 2WD
8 = HD DODGE 4WD
6 = Lt. Duty DODGE 4WD
2 = Med. Duty DODGE 2WD
7 = Med. Duty DODGE 4WD
4 = TRUCK

BODY

01 = CHASSIS FORWARD CONTROL W.B.1
02 = CAB CHASSIS WHEEL BASE 2
06 = CAB CHASSIS WHEEL BASE 6
11 = VAN WHEEL BASE 1
12 = VAN WHEEL BASE 2
51 = WAGON WHEEL BASE 1
52 = WAGON WHEEL BASE 2
14 = VAN WHEEL BASE 4
15 = VAN WHEEL BASE 5
54 = WAGON WHEEL BASE 4
55 = WAGON WHEEL BASE 5
56 = WAGON WHEEL BASE 6
16 = VAN WHEEL BASE 6

ENGINE

EX8 = 2.7L I5 Turbo Diesel Engine
EX9 = 2.7L I5 Mercedes-Benz TD Engine

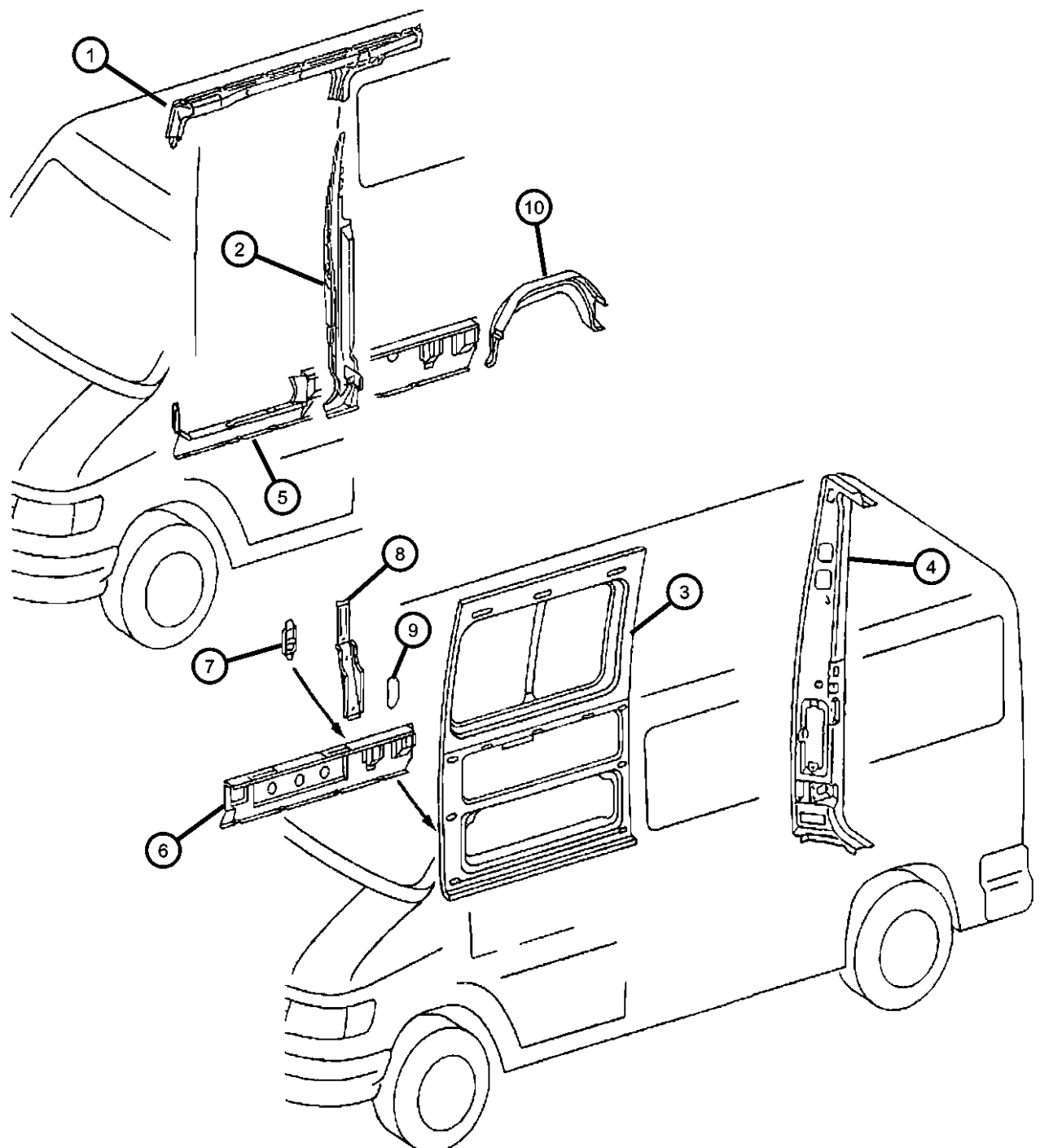
TRANSMISSION

DGJ = 5-Speed Automatic MB Transmission
DGZ = 4-Spd. Automatic MT643 Transmission

AR = use ase required - = Non illustrated part

2006 VA

**Right Side, Cargo Door Pillars & Wheelhouse
Figure SVA-915**

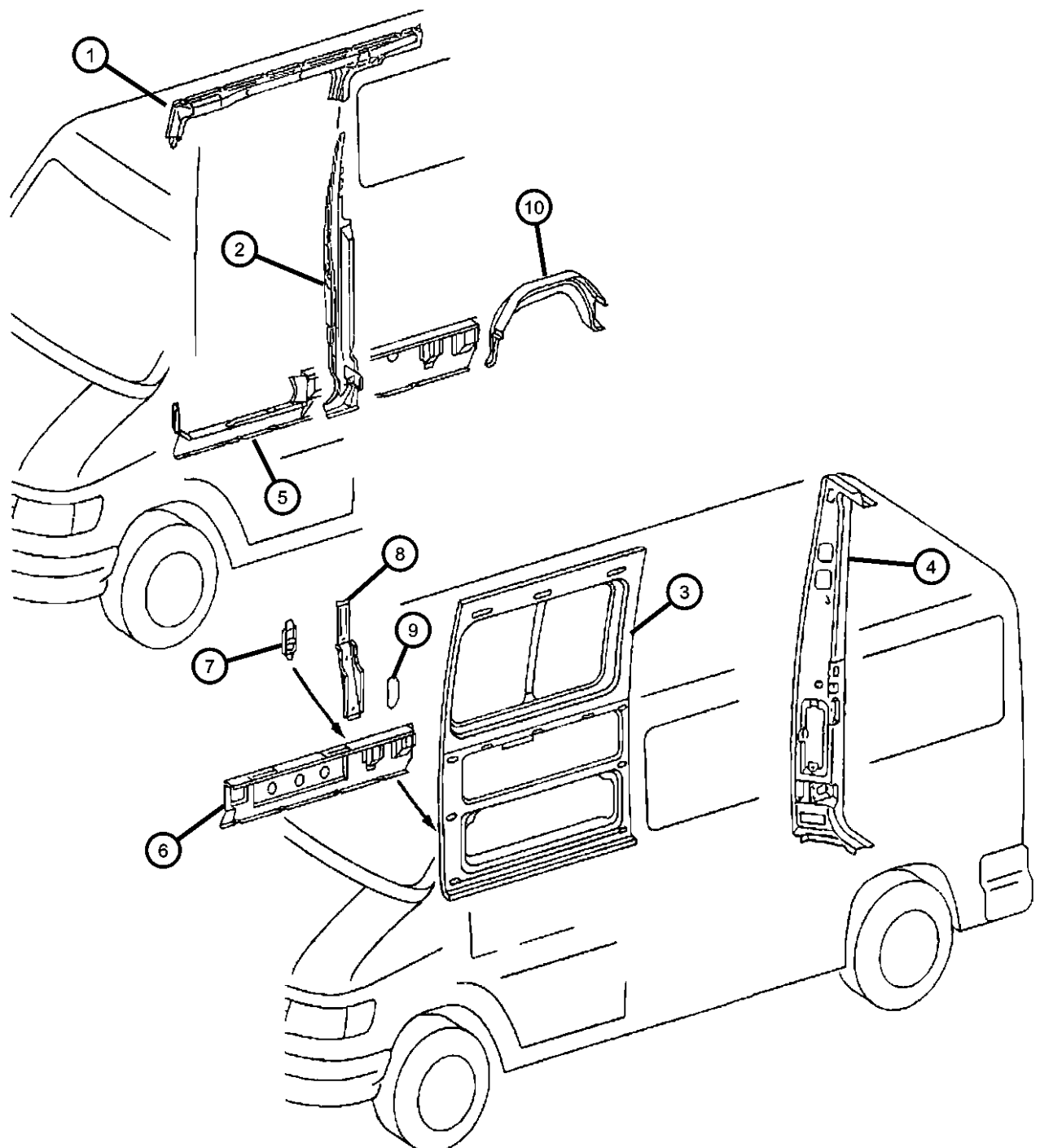


ITEM	PART NUMBER	QTY	LINE	SERIES	BODY	ENGINE	TRANS	TRIM	DESCRIPTION
1									REINFORCEMENT, Body Side Aperture
	05104204AA	1	2, 6		11, 12, 14, 15, 16				With [GKA], Right
		1	2, 6		51, 52, 54, 55, 56				With [GKA], Right
		1	3, 7		12, 15, 16				With [GKA], Right
2									PILLAR, Side Cargo Door
	05104166AA	1	2, 3, 6, 7						With [5AE Or 5AF+GKA]
	05121699AA	1	2, 6						With [5AC+GKA]
3									PANEL, Body Side Front
	05104197AA	1	2, 6		11, 12, 14, 15, 16				Right
		1	2, 6		51, 52, 54, 55, 56				Right
		1	3, 7		12, 15, 16				Right
4									PILLAR, Rear Cargo Door Hinge
	05104178AA	1	2, 6		14, 15, 16				With [MWJ], Right
		1	2, 6		54, 55, 56				With [MWJ], Right
		1	3, 7		15, 16				With [MWJ], Right
5									SUPPORT, Sill Reinforcement
	05104171AA	1	2, 6		11, 14				Loading Compartment Sliding Door, With [5AC + GKA], Right
		1	2, 6		51, 54				Loading Compartment Sliding Door, With [5AC + GKA], Right
	05121752AA	1	2, 6		12, 15				Loading Compartment Sliding Door, With [5AE + GKA], Right
		1	2, 6		52, 55				Loading Compartment Sliding Door, With [5AE + GKA], Right
	05121755AA	1	2, 6		16				Loading Compartment Sliding Door, With [5AF + GKA], Right
		1	2, 6		56				Loading Compartment Sliding Door, With [5AF + GKA], Right
6									SUPPORT, Sill Reinforcement

SPRINTER (VA)				
SERIES	LINE	BODY	ENGINE	TRANSMISSION
L = LOWLINE	3 = HD DODGE 2WD 8 = HD DODGE 4WD 6 = Lt. Duty DODGE 4WD 2 = Med. Duty DODGE 2WD 7 = Med. Duty DODGE 4WD 4 = TRUCK	01 = CHASSIS FORWARD CONTROL W.B.1 02 = CAB CHASSIS WHEEL BASE 2 06 = CAB CHASSIS WHEEL BASE 6 11 = VAN WHEEL BASE 1 12 = VAN WHEEL BASE 2 51 = WAGON WHEEL BASE 1 52 = WAGON WHEEL BASE 2 14 = VAN WHEEL BASE 4 15 = VAN WHEEL BASE 5 54 = WAGON WHEEL BASE 4 55 = WAGON WHEEL BASE 5 56 = WAGON WHEEL BASE 6 16 = VAN WHEEL BASE 6	EX8 = 2.7L I5 Turbo Diesel Engine EX9 = 2.7L I5 Mercedes-Benz TD Engine	DGJ = 5-Speed Automatic MB Transmission DGZ = 4-Spd. Automatic MT643 Transmission

AR = use ase required - = Non illustrated part

**Right Side, Cargo Door Pillars & Wheelhouse
Figure SVA-915**



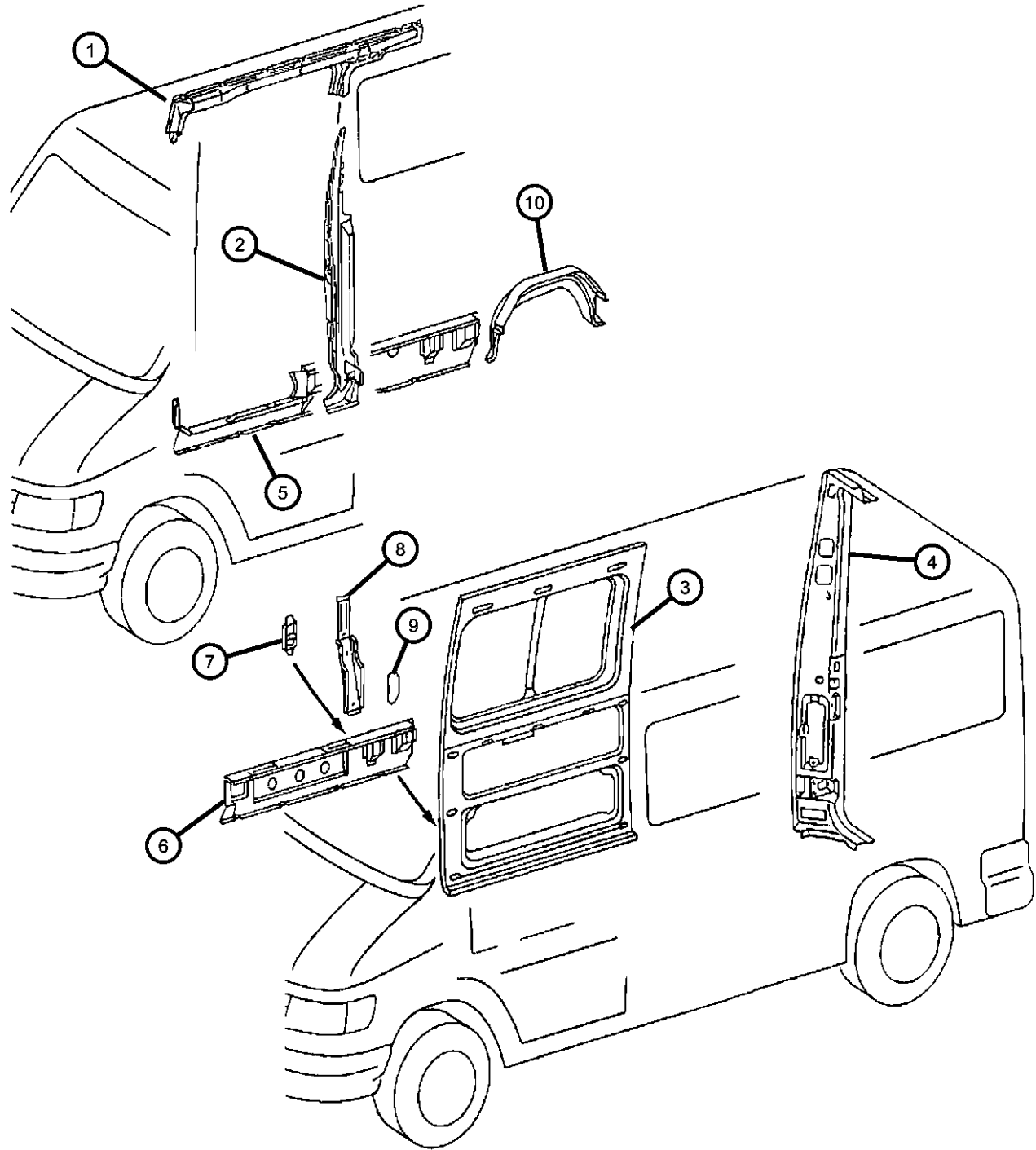
ITEM	PART NUMBER	QTY	LINE	SERIES	BODY	ENGINE	TRANS	TRIM	DESCRIPTION
	05131075AA	1	2, 6		11, 14				Without Sliding Door, With [5AC], Right
		1	2, 6		51, 54				Without Sliding Door, With [5AC], Right
	05131079AA	1	2, 6		12, 15				Without Sliding Door, With [5AE], Right
		1	2, 6		52, 55				Without Sliding Door, With [5AE], Right
	05131083AA	1	2, 6		16				Without Sliding Door, With [5AF], Right
		1	2, 6		56				Without Sliding Door, With [5AF], Right
7									PLUG, Body
	05125519AA	1	2, 6		11, 14				
		1	2, 6		12, 15				
		1	2, 6		51, 54				
		1	2, 6		52, 55				
		1	3, 7		12, 15, 16				
8									REINFORCEMENT, Side Panel
	05104198AA	1	2, 6		12, 15				With [5AE Or 5AF]
		1	2, 6		52, 55				With [5AE Or 5AF]
		1	3, 7		12, 15, 16				
9									COVER, Sill
	05121838AA	1	2, 6		11, 12, 14, 15, 16				
		1	2, 6		51, 52, 54, 55, 56				
		1	3, 7		12, 15, 16				
10									WHEELHOUSE
	05121865AA	1	2, 6		11, 12, 14, 15, 16				With [WDG]

SPRINTER (VA)
SERIES
 L = LOWLINE
LINE
 3 = HD DODGE 2WD
 8 = HD DODGE 4WD
 6 = Lt. Duty DODGE 4WD
 2 = Med. Duty DODGE 2WD
 7 = Med. Duty DODGE 4WD
 4 = TRUCK
BODY
 01 = CHASSIS FORWARD CONTROL W.B.1
 02 = CAB CHASSIS WHEEL BASE 2
 06 = CAB CHASSIS WHEEL BASE 6
 11 = VAN WHEEL BASE 1
 12 = VAN WHEEL BASE 2
 51 = WAGON WHEEL BASE 1
 52 = WAGON WHEEL BASE 2
 14 = VAN WHEEL BASE 4
 15 = VAN WHEEL BASE 5
 54 = WAGON WHEEL BASE 4
 55 = WAGON WHEEL BASE 5
 56 = WAGON WHEEL BASE 6
 16 = VAN WHEEL BASE 6
ENGINE
 EX8 = 2.7L I5 Turbo Diesel Engine
 EX9 = 2.7L I5 Mercedes-Benz TD Engine
TRANSMISSION
 DGJ = 5-Speed Automatic MB Transmission
 DGZ = 4-Spd. Automatic MT643 Transmission

AR = use ase required - = Non illustrated part

**Right Side, Cargo Door Pillars & Wheelhouse
Figure SVA-915**

ITEM	PART NUMBER	QTY	LINE	SERIES	BODY	ENGINE	TRANS	TRIM	DESCRIPTION
------	-------------	-----	------	--------	------	--------	-------	------	-------------



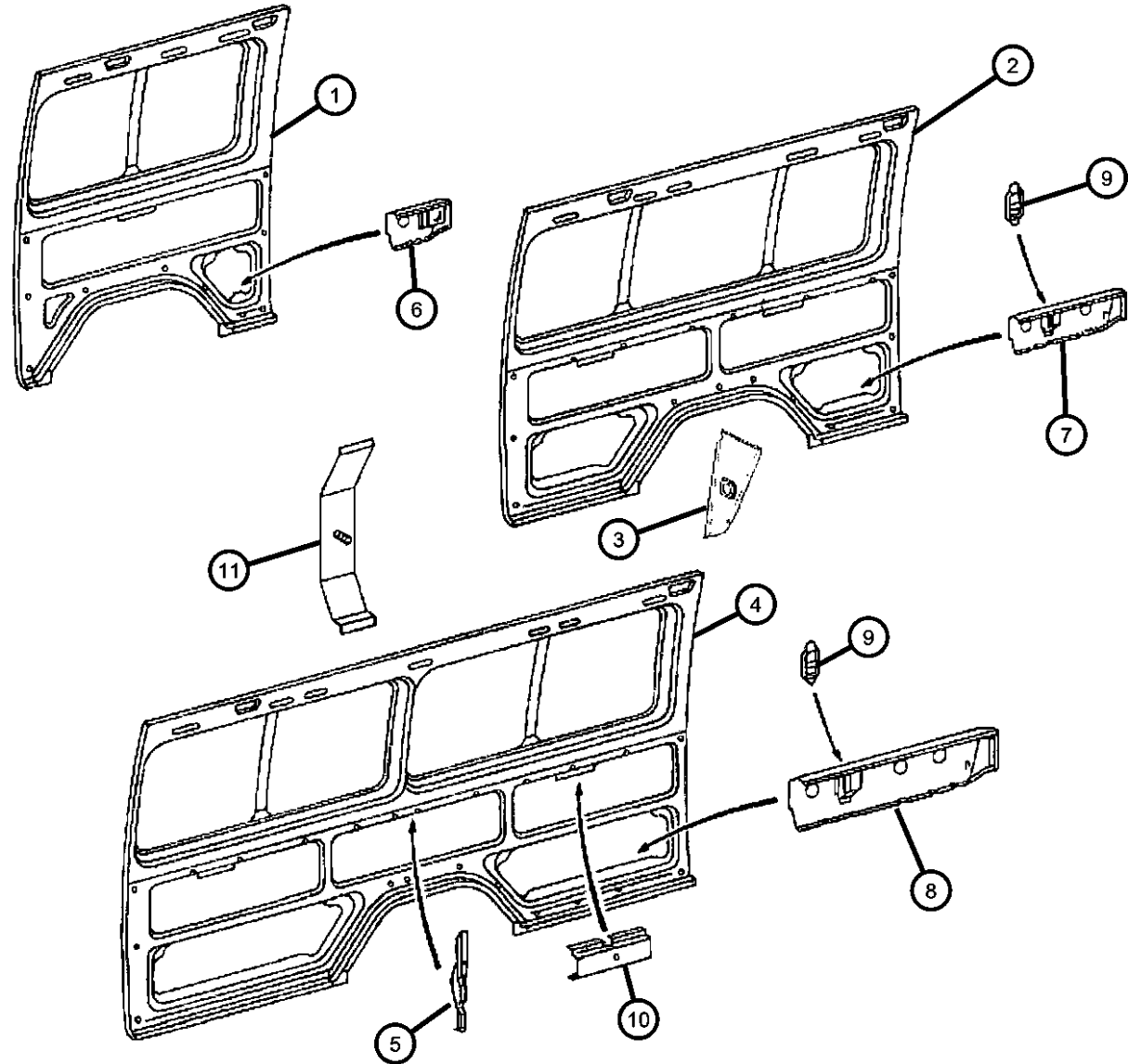
		1	2, 6		51, 52, 54, 55, 56				With [WDG]
		1	3, 7		12, 15, 16				

SPRINTER (VA)

SERIES	LINE	BODY	ENGINE	TRANSMISSION
L = LOWLINE	3 = HD DODGE 2WD 8 = HD DODGE 4WD 6 = Lt. Duty DODGE 4WD 2 = Med. Duty DODGE 2WD 7 = Med. Duty DODGE 4WD 4 = TRUCK	01 = CHASSIS FORWARD CONTROL W.B.1 02 = CAB CHASSIS WHEEL BASE 2 06 = CAB CHASSIS WHEEL BASE 6 11 = VAN WHEEL BASE 1 12 = VAN WHEEL BASE 2 51 = WAGON WHEEL BASE 1 52 = WAGON WHEEL BASE 2 14 = VAN WHEEL BASE 4 15 = VAN WHEEL BASE 5 54 = WAGON WHEEL BASE 4 55 = WAGON WHEEL BASE 5 56 = WAGON WHEEL BASE 6 16 = VAN WHEEL BASE 6	EX8 = 2.7L I5 Turbo Diesel Engine EX9 = 2.7L I5 Mercedes-Benz TD Engine	DGJ = 5-Speed Automatic MB Transmission DGZ = 4-Spd. Automatic MT643 Transmission

AR = use ase required - = Non illustrated part

**Right Side, Inner Support Panels
Figure SVA-920**



ITEM	PART NUMBER	QTY	LINE	SERIES	BODY	ENGINE	TRANS	TRIM	DESCRIPTION
1	05121897AA	1	2, 6		11, 14				PANEL, Body Side Rear With [5AC + GKA]
		1	2, 6		51, 54				With [5AC + GKA]
	05131122AA	1	2, 6		11, 14				With [5AC]
		1	2, 6		51, 54				With [5AC]
2	05121892AA	1	2, 6		12, 15				PANEL, Body Side Rear With [5AE + GK9]
		1	2, 6		52, 55				With [5AE + GK9]
		1	3, 7		12, 15				With [5AE + GK9]
3	05129938AA	2	2, 6		11, 12, 14, 15, 16				PANEL, Rear Side With [WDG]
		2	2, 6		51, 52, 54, 55, 56				With [WDG]
4	05121895AA	1	2, 6		16				PANEL, Body Side Rear With [5AF + GK9]
		1	2, 6		56				With [5AF + GK9]
		1	3, 7		16				With [5AF + GK9]
5	05121800AA	1	2, 6		11, 12, 14, 15, 16				REINFORCEMENT, Quarter Inner With [5AF+WDG]
		1	2, 6		51, 52, 54, 55, 56				With [5AF+WDG]
		1	3, 7		12, 15, 16				With [5AF+WDG]
6	05121739AA	1	2, 6		11, 14				SUPPORT With [5AC]
		1	2, 6		51, 54				With [5AC]
7	05121743AA	1	2, 6		12, 15				SUPPORT, Sill Reinforcement With [5AE], Right
		1	2, 6		52, 55				With [5AE], Right

SPRINTER (VA)

SERIES

L = LOWLINE

LINE

3 = HD DODGE 2WD
8 = HD DODGE 4WD
6 = Lt. Duty DODGE 4WD
2 = Med. Duty DODGE 2WD
7 = Med. Duty DODGE 4WD
4 = TRUCK

BODY

01 = CHASSIS FORWARD CONTROL W.B.1
02 = CAB CHASSIS WHEEL BASE 2
06 = CAB CHASSIS WHEEL BASE 6
11 = VAN WHEEL BASE 1
12 = VAN WHEEL BASE 2
51 = WAGON WHEEL BASE 1
52 = WAGON WHEEL BASE 2
14 = VAN WHEEL BASE 4
15 = VAN WHEEL BASE 5
54 = WAGON WHEEL BASE 4
55 = WAGON WHEEL BASE 5
56 = WAGON WHEEL BASE 6
16 = VAN WHEEL BASE 6

ENGINE

EX8 = 2.7L I5 Turbo Diesel Engine
EX9 = 2.7L I5 Mercedes-Benz TD Engine

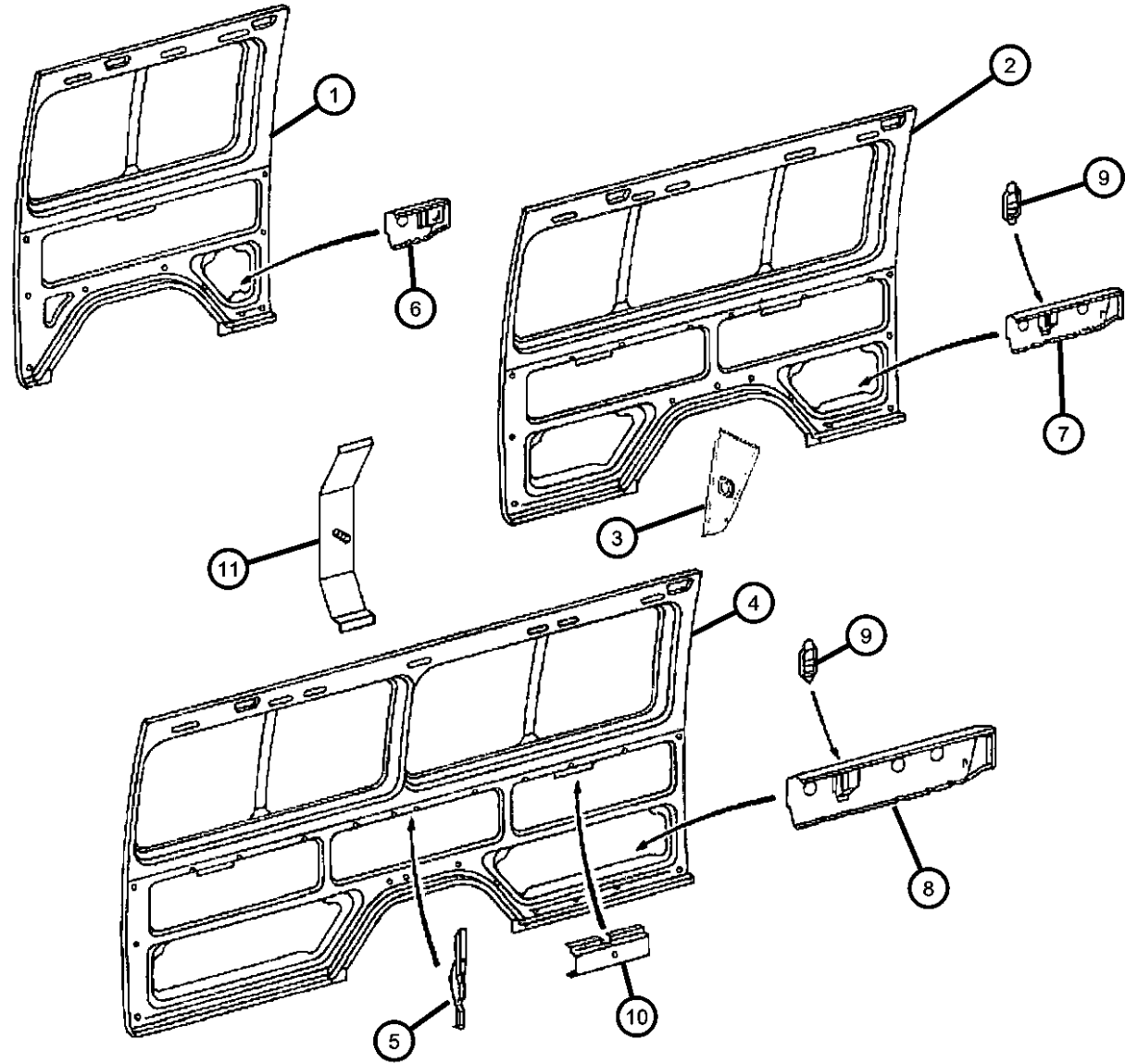
TRANSMISSION

DGJ = 5-Speed Automatic MB Transmission
DGZ = 4-Spd. Automatic MT643 Transmission

AR = use ase required - = Non illustrated part

2006 VA

**Right Side, Inner Support Panels
Figure SVA-920**



ITEM	PART NUMBER	QTY	LINE	SERIES	BODY	ENGINE	TRANS	TRIM	DESCRIPTION
8		1	3, 7		12, 15				With [5AE], Right SUPPORT, Sill Reinforcement
	05121747AA	1	2, 6		16				With [5AF], Right
		1	2, 6		56				With [5AF], Right
		1	3, 7		16				With [5AF], Right
9									PLUG, Body
	05125519AA	1	2, 6		11, 14				
		1	2, 6		12, 15				
		1	2, 6		51, 54				
		1	2, 6		52, 55				
		1	3, 7		12, 15, 16				
10	05131057AA	2	2, 6		51, 52, 54, 55, 56				REINFORCEMENT, Side Panel
11									BRACKET
	05127239AA	2	2, 6		12, 15				
		3	2, 6		11, 14, 16				
		2	2, 6		52, 55				
		3	2, 6		51, 54, 56				

SPRINTER (VA)

SERIES
L = LOWLINE

LINE

3 = HD DODGE 2WD
8 = HD DODGE 4WD
6 = Lt. Duty DODGE 4WD
2 = Med. Duty DODGE 2WD
7 = Med. Duty DODGE 4WD
4 = TRUCK

BODY

01 = CHASSIS FORWARD CONTROL W.B.1
02 = CAB CHASSIS WHEEL BASE 2
06 = CAB CHASSIS WHEEL BASE 6
11 = VAN WHEEL BASE 1
12 = VAN WHEEL BASE 2
51 = WAGON WHEEL BASE 1
52 = WAGON WHEEL BASE 2
14 = VAN WHEEL BASE 4
15 = VAN WHEEL BASE 5
54 = WAGON WHEEL BASE 4
55 = WAGON WHEEL BASE 5
56 = WAGON WHEEL BASE 6
16 = VAN WHEEL BASE 6

ENGINE

EX8 = 2.7L I5 Turbo Diesel Engine
EX9 = 2.7L I5 Mercedes-Benz TD Engine

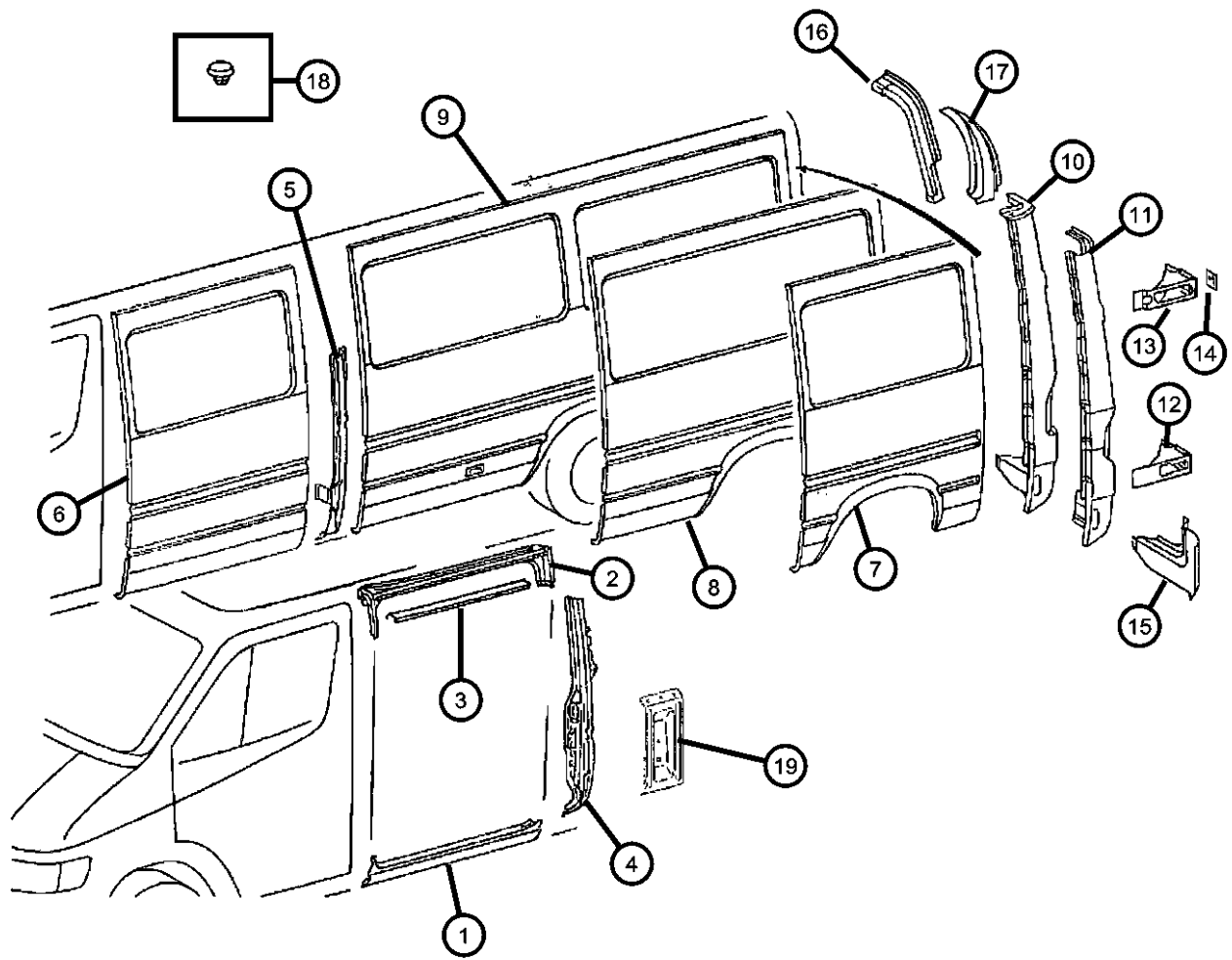
TRANSMISSION

DGJ = 5-Speed Automatic MB Transmission
DGZ = 4-Spd. Automatic MT643 Transmission

AR = use ase required - = Non illustrated part

2006 VA

Left Side, Outer Panels
Figure SVA-925



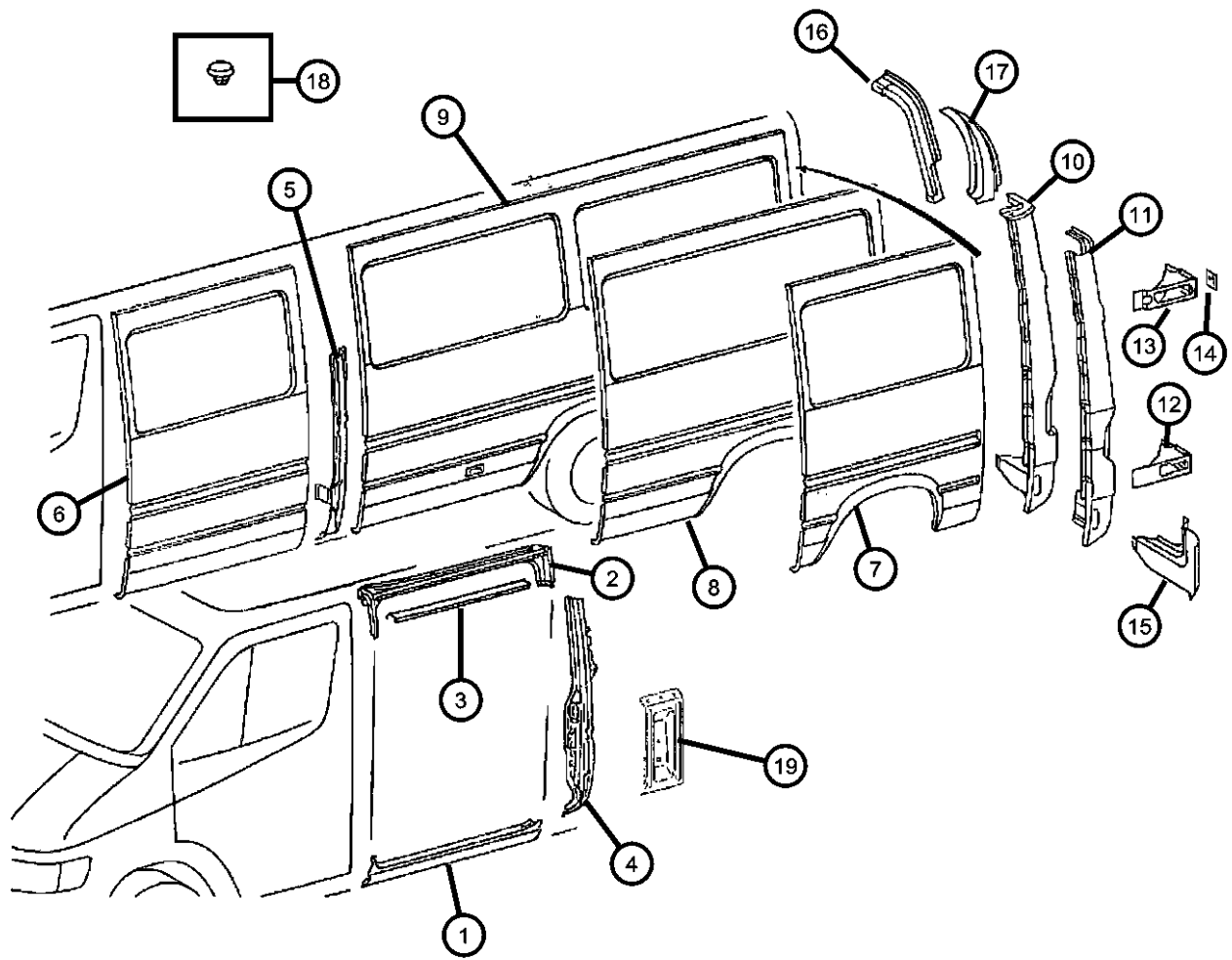
ITEM	PART NUMBER	QTY	LINE	SERIES	BODY	ENGINE	TRANS	TRIM	DESCRIPTION
1	05121937AA	1	2, 6		11, 12, 14, 15, 16				PANEL, Sill With [GKE], Left
		1	2, 6		51, 52, 54, 55, 56				With [GKE], Left
		1	3, 7		12, 15, 16				With [GKE], Left
2	05121682AA	1	2, 6		11, 12, 14, 15, 16				PANEL, Cargo Compartment, Upper With [GKE], Left
		1	2, 6		51, 52, 54, 55, 56				With [GKE], Left
		1	3, 7		12, 15, 16				With [GKE], Left
3	05122035AA	1	2, 6		11, 12, 14, 15, 16				TRACK, Sliding Door With [GKE], Left
		1	2, 6		51, 52, 54, 55, 56				With [GKE], Left
		1	3, 7		12, 15, 16				With [GKE], Left
4	05121696AA	1	2, 6		12, 15				PILLAR, Side Cargo Door With [GKE], Left
		1	2, 6		52, 55				With [GKE], Left
		1	3, 7		12, 15				With [GKE], Left
5	05161583AA	1	2, 6		16				PILLAR, Side Cargo Door With [5AF+4DR], Left
		1	2, 6		56				With [5AF+4DR], Left
		1	3, 7		16				With [5AF], Left
6	05104205AA	1	2, 6		11, 12, 14, 15, 16				PANEL, Body Side Front
		1	2, 6		51, 52, 54, 55, 56				
		1	3, 7		12, 15, 16				

SPRINTER (VA)

SERIES	LINE	BODY	ENGINE	TRANSMISSION
L = LOWLINE	3 = HD DODGE 2WD 8 = HD DODGE 4WD 6 = Lt. Duty DODGE 4WD 2 = Med. Duty DODGE 2WD 7 = Med. Duty DODGE 4WD 4 = TRUCK	01 = CHASSIS FORWARD CONTROL W.B.1 02 = CAB CHASSIS WHEEL BASE 2 06 = CAB CHASSIS WHEEL BASE 6 11 = VAN WHEEL BASE 1 12 = VAN WHEEL BASE 2 51 = WAGON WHEEL BASE 1 52 = WAGON WHEEL BASE 2 14 = VAN WHEEL BASE 4 15 = VAN WHEEL BASE 5 54 = WAGON WHEEL BASE 4 55 = WAGON WHEEL BASE 5 56 = WAGON WHEEL BASE 6 16 = VAN WHEEL BASE 6	EX8 = 2.7L I5 Turbo Diesel Engine EX9 = 2.7L I5 Mercedes-Benz TD Engine	DGJ = 5-Speed Automatic MB Transmission DGZ = 4-Spd. Automatic MT643 Transmission

AR = use ase required - = Non illustrated part

Left Side, Outer Panels
Figure SVA-925



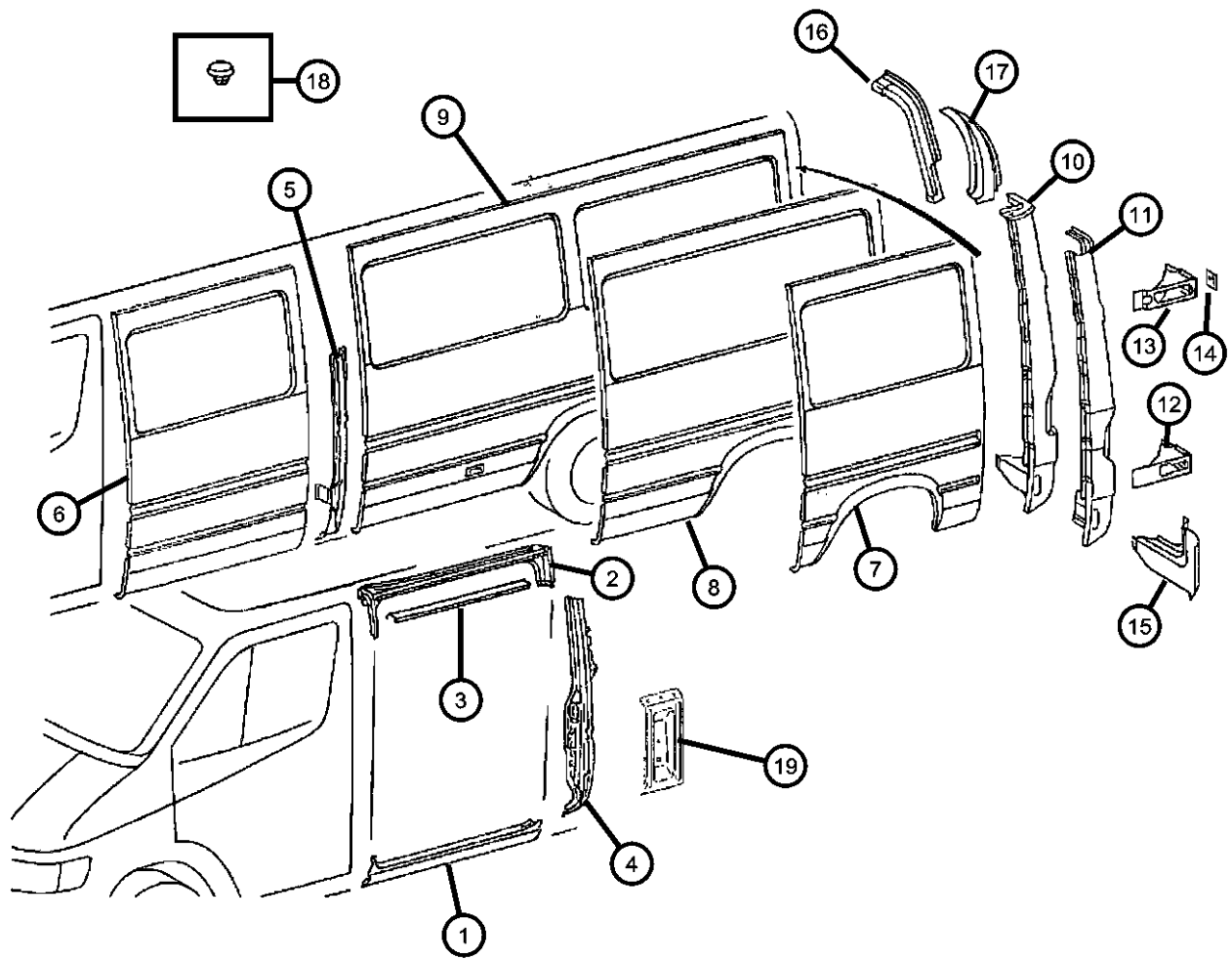
ITEM	PART NUMBER	QTY	LINE	SERIES	BODY	ENGINE	TRANS	TRIM	DESCRIPTION
7	05104212AA	1	2, 6		11, 14				PANEL, Body Side Rear With [5AC]
		1	2, 6		51, 54				With [5AC]
8	05121941AA	1	2, 6		12, 15				PANEL, Body Side Rear With [5AE+GEL]
		1	2, 6		12, 15				With [5AE]
	05121990AA	1	2, 6		52, 55				With [5AE]
	05131158AA	1	3, 7		12, 15				Wirh [5AE]
	05131158AA	1	2, 6		12, 15				With [5AE+WDG]
	05131164AA	1	2, 6		12, 15				With [5AE+GEL+WDG]
		1	2, 6		52, 55				With [5AE+WDG]
9	05104219AA	1	2, 6		16				PANEL, Body Side Rear With [5AF+GEL Or GES]
		1	2, 6		16				With [5AF]
		1	2, 6		56				With [5AF]
	05131170AA	1	2, 6		16				With [5AF+WDG]
	05131176AA	1	2, 6		16				With [5AF+WDG+ GEL Or GES]
		1	2, 6		56				With [5AF+WDG]
10	05104174AA	1	2, 6		14, 15, 16				PANEL, D Pillar With [MWJ]
		1	2, 6		54, 55, 56				With [MWJ]
		1	3, 7		15, 16				With [MWJ]
11	05104206AA	1	2, 6		11, 12				PANEL, D Pillar Without [MWJ]
		1	2, 6		51, 52				Without [MWJ]
		1	3, 7		12				Without [MWJ]
12									REINFORCEMENT, Rear door hinge

SPRINTER (VA)

SERIES	LINE	BODY	ENGINE	TRANSMISSION
L = LOWLINE	3 = HD DODGE 2WD	01 = CHASSIS FORWARD CONTROL W.B.1	EX8 = 2.7L I5 Turbo Diesel Engine	DGJ = 5-Speed Automatic MB Transmission
	8 = HD DODGE 4WD	02 = CAB CHASSIS WHEEL BASE 2	EX9 = 2.7L I5 Mercedes-Benz TD Engine	DGZ = 4-Spd. Automatic MT643 Transmission
	6 = Lt. Duty DODGE 4WD	06 = CAB CHASSIS WHEEL BASE 6		
	2 = Med. Duty DODGE 2WD	11 = VAN WHEEL BASE 1		
	7 = Med. Duty DODGE 4WD	12 = VAN WHEEL BASE 2		
	4 = TRUCK	51 = WAGON WHEEL BASE 1		
		52 = WAGON WHEEL BASE 2		
		14 = VAN WHEEL BASE 4		
		15 = VAN WHEEL BASE 5		
		54 = WAGON WHEEL BASE 4		
		55 = WAGON WHEEL BASE 5		
		56 = WAGON WHEEL BASE 6		
		16 = VAN WHEEL BASE 6		

AR = use ase required - = Non illustrated part

Left Side, Outer Panels
Figure SVA-925



ITEM	PART NUMBER	QTY	LINE	SERIES	BODY	ENGINE	TRANS	TRIM	DESCRIPTION
	05122031AA	1	2, 6		11, 12, 14, 15, 16				Lower Hinge, Left, Side
		1	2, 6		51, 52, 54, 55, 56				Lower Hinge, Left, Side
		1	3, 7		12, 15, 16				Lower Hinge, Left, Side
13									REINFORCEMENT, Rear door hinge
	05122032AA	1	2, 6		11, 12, 14, 15, 16				Upper Hinge, Left, Side
		1	2, 6		51, 52, 54, 55, 56				Upper Hinge, Left, Side
		1	3, 7		12, 15, 16				Upper Hinge, Left, Side
14									PLATE, Rear Door Hinge
	05104188AA	2	2, 6		11, 12, 14, 15, 16				
		2	2, 6		51, 52, 54, 55, 56				
		2	3, 7		12, 15, 16				
15									EXTENSION, D Pillar Lower
	05104207AA	1	2, 6		11, 12, 14, 15, 16				Lower Left
		1	2, 6		51, 52, 54, 55, 56				Lower Left
		1	3, 7		12, 15, 16				Lower Left
16									EXTENSION, D Pillar Upper
	05121988AA	1	2, 6		14, 15, 16				With [MWJ]
		1	2, 6		54, 55, 56				With [MWJ]
		1	3, 7		15, 16				With [MWJ]
17									PANEL, D Pillar Trim
	05122050AA	1	2, 6		14, 15, 16				Connection / With [MWJ]
		1	2, 6		54, 55, 56				Connection / With [MWJ]
		1	3, 7		15, 16				Connection / With [MWJ]

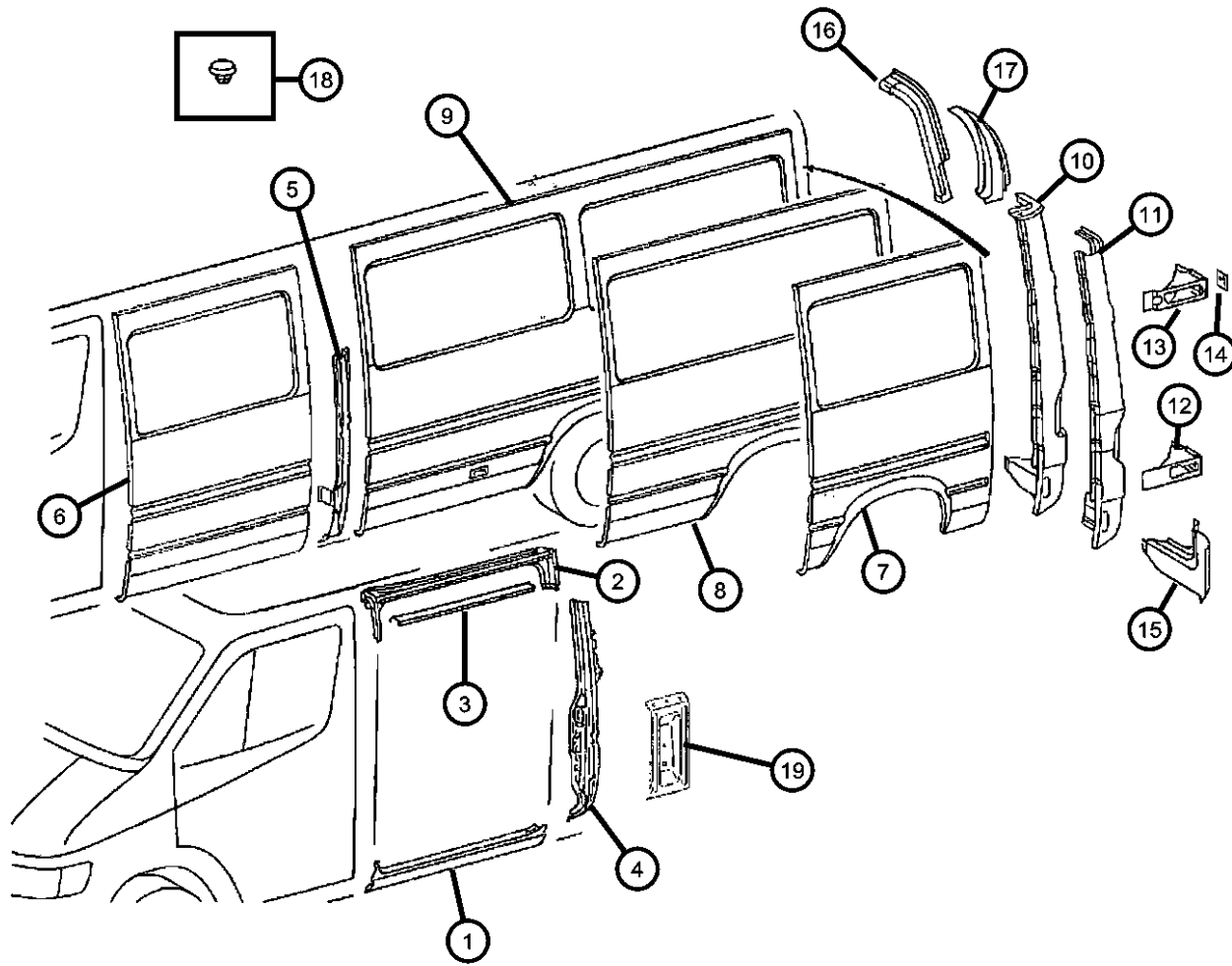
SPRINTER (VA)

SERIES	LINE	BODY	ENGINE	TRANSMISSION
L = LOWLINE	3 = HD DODGE 2WD 8 = HD DODGE 4WD 6 = Lt. Duty DODGE 4WD 2 = Med. Duty DODGE 2WD 7 = Med. Duty DODGE 4WD 4 = TRUCK	01 = CHASSIS FORWARD CONTROL W.B.1 02 = CAB CHASSIS WHEEL BASE 2 06 = CAB CHASSIS WHEEL BASE 6 11 = VAN WHEEL BASE 1 12 = VAN WHEEL BASE 2 51 = WAGON WHEEL BASE 1 52 = WAGON WHEEL BASE 2 14 = VAN WHEEL BASE 4 15 = VAN WHEEL BASE 5 54 = WAGON WHEEL BASE 4 55 = WAGON WHEEL BASE 5 56 = WAGON WHEEL BASE 6 16 = VAN WHEEL BASE 6	EX8 = 2.7L I5 Turbo Diesel Engine EX9 = 2.7L I5 Mercedes-Benz TD Engine	DGJ = 5-Speed Automatic MB Transmission DGZ = 4-Spd. Automatic MT643 Transmission

AR = use ase required - = Non illustrated part

Left Side, Outer Panels
Figure SVA-925

ITEM	PART NUMBER	QTY	LINE	SERIES	BODY	ENGINE	TRANS	TRIM	DESCRIPTION
18	05133657AA	1	2, 6		11, 12, 14, 15, 16				PLUG, Expansion
		1	2, 6		51, 52, 54, 55, 56				
		1	3, 7		12, 15, 16				
19	05131069AA	1	2, 6		11, 12, 14, 15, 16				BRACKET, Spare Tire, With [5AE Or 5AF+TBL+WDG] Without [AMC]

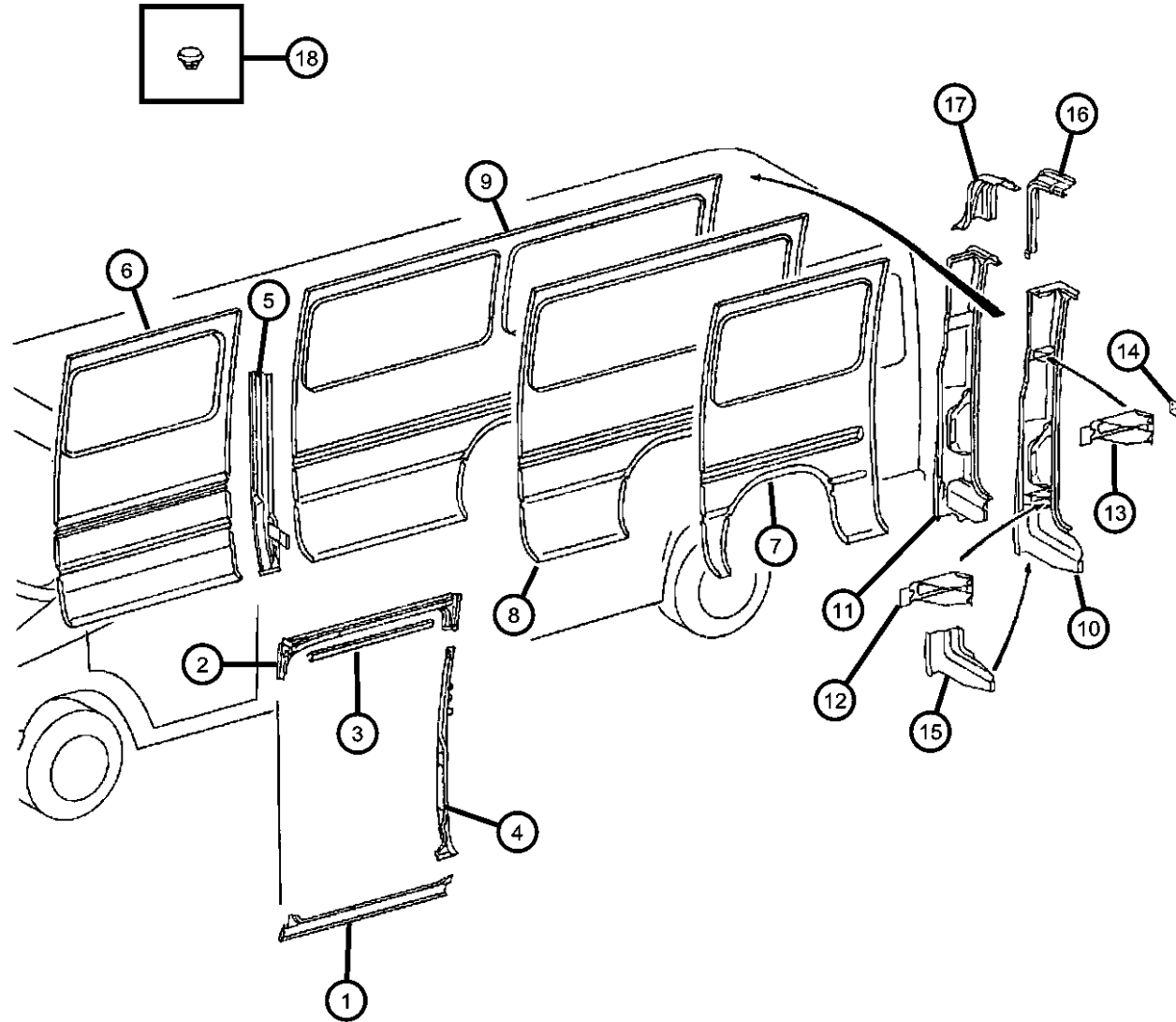


SPRINTER (VA)

SERIES	LINE	BODY	ENGINE	TRANSMISSION
L = LOWLINE	3 = HD DODGE 2WD 8 = HD DODGE 4WD 6 = Lt. Duty DODGE 4WD 2 = Med. Duty DODGE 2WD 7 = Med. Duty DODGE 4WD 4 = TRUCK	01 = CHASSIS FORWARD CONTROL W.B.1 02 = CAB CHASSIS WHEEL BASE 2 06 = CAB CHASSIS WHEEL BASE 6 11 = VAN WHEEL BASE 1 12 = VAN WHEEL BASE 2 51 = WAGON WHEEL BASE 1 52 = WAGON WHEEL BASE 2 14 = VAN WHEEL BASE 4 15 = VAN WHEEL BASE 5 54 = WAGON WHEEL BASE 4 55 = WAGON WHEEL BASE 5 56 = WAGON WHEEL BASE 6 16 = VAN WHEEL BASE 6	EX8 = 2.7L I5 Turbo Diesel Engine EX9 = 2.7L I5 Mercedes-Benz TD Engine	DGJ = 5-Speed Automatic MB Transmission DGZ = 4-Spd. Automatic MT643 Transmission

AR = use ase required - = Non illustrated part

**Right Side, Outer Panels
Figure SVA-930**



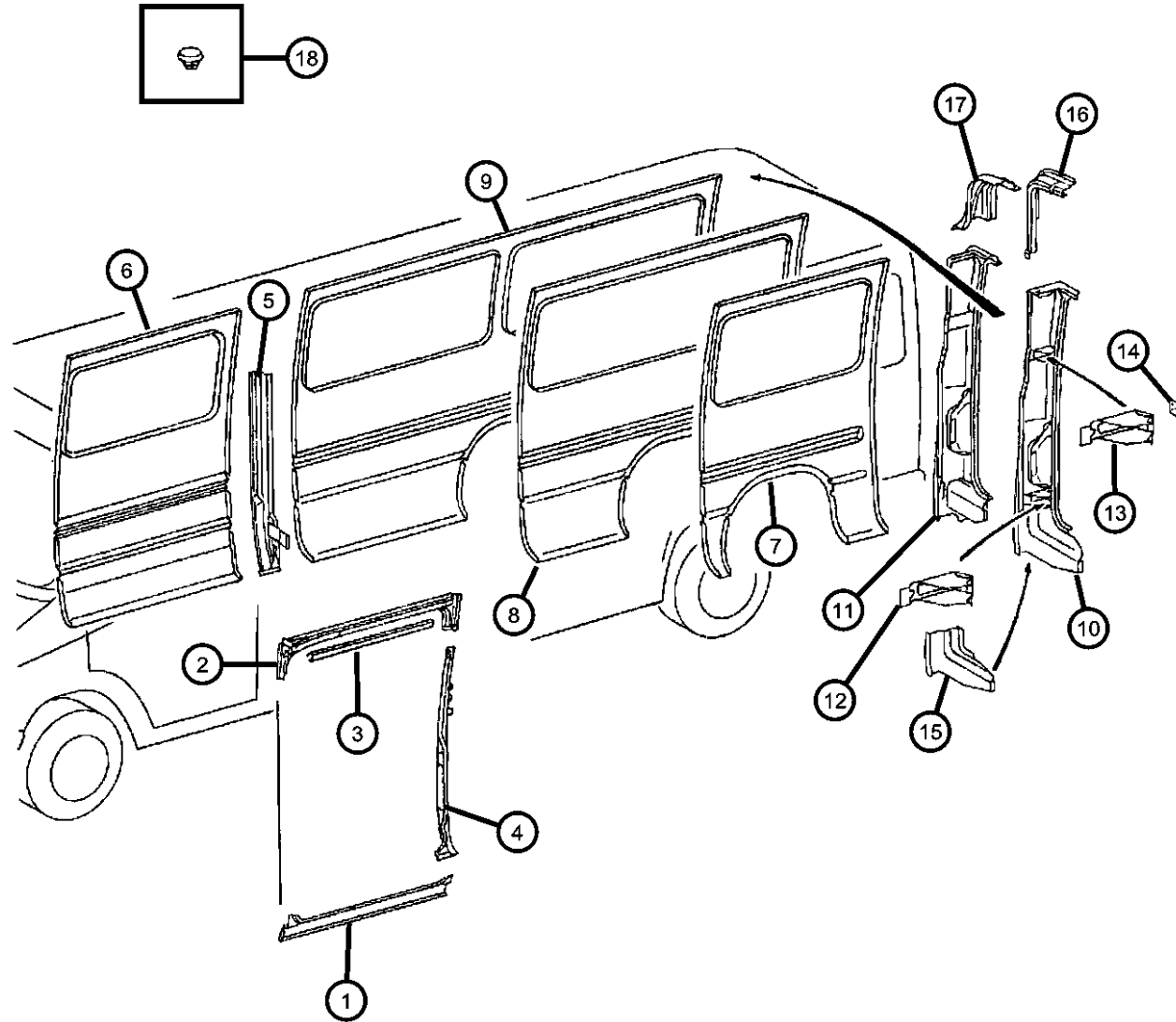
ITEM	PART NUMBER	QTY	LINE	SERIES	BODY	ENGINE	TRANS	TRIM	DESCRIPTION
1	05104214AA	1	2, 6		11, 12, 14, 15, 16				PANEL, Sill With [GKA+GEN Or GEW], Right
		1	2, 6		51, 52, 54, 55, 56				With [GKA+GEN Or GEW], Right
		1	3, 7		12, 15, 16				With [GKA+GEN Or GEW], Right
2	05104179AA	1	2, 6		11, 12, 14, 15, 16				PANEL, Cargo Compartment, Upper With [GKA], Right
		1	2, 6		51, 52, 54, 55, 56				With [GKA], Right
		1	3, 7		12, 15, 16				With [GKA], Right
3	05122036AA	1	2, 6		11, 12, 14, 15, 16				TRACK, Sliding Door With [GKA], Right
		1	2, 6		51, 52, 54, 55, 56				With [GKA], Right
		1	3, 7		12, 15, 16				With [GKA], Right
4	05104166AA	1	2, 3, 6, 7						PILLAR, Side Cargo Door With [5AE Or 5AF], Right
	05121699AA	1	2, 6						With [5AC], Right
5	05161582AA	1	2, 3, 6, 7						PILLAR, Side Cargo Door, Without [GKA], Right
6	05104205AA	1	2, 6		11, 12, 14, 15, 16				PANEL, Body Side Front
		1	2, 6		51, 52, 54, 55, 56				
		1	7, 3		12, 15, 16				
7	05131138AA	1	2, 6		11, 14				PANEL, Body Side Rear With [5AC], Right
		1	2, 6		51, 54				With [5AC], Right
8									PANEL, Body Side Rear

SPRINTER (VA)

SERIES	LINE	BODY	ENGINE	TRANSMISSION
L = LOWLINE	3 = HD DODGE 2WD 8 = HD DODGE 4WD 6 = Lt. Duty DODGE 4WD 2 = Med. Duty DODGE 2WD 7 = Med. Duty DODGE 4WD 4 = TRUCK	01 = CHASSIS FORWARD CONTROL W.B.1 02 = CAB CHASSIS WHEEL BASE 2 06 = CAB CHASSIS WHEEL BASE 6 11 = VAN WHEEL BASE 1 12 = VAN WHEEL BASE 2 51 = WAGON WHEEL BASE 1 52 = WAGON WHEEL BASE 2 14 = VAN WHEEL BASE 4 15 = VAN WHEEL BASE 5 54 = WAGON WHEEL BASE 4 55 = WAGON WHEEL BASE 5 56 = WAGON WHEEL BASE 6 16 = VAN WHEEL BASE 6	EX8 = 2.7L I5 Turbo Diesel Engine EX9 = 2.7L I5 Mercedes-Benz TD Engine	DGJ = 5-Speed Automatic MB Transmission DGZ = 4-Spd. Automatic MT643 Transmission

AR = use ase required - = Non illustrated part

**Right Side, Outer Panels
Figure SVA-930**



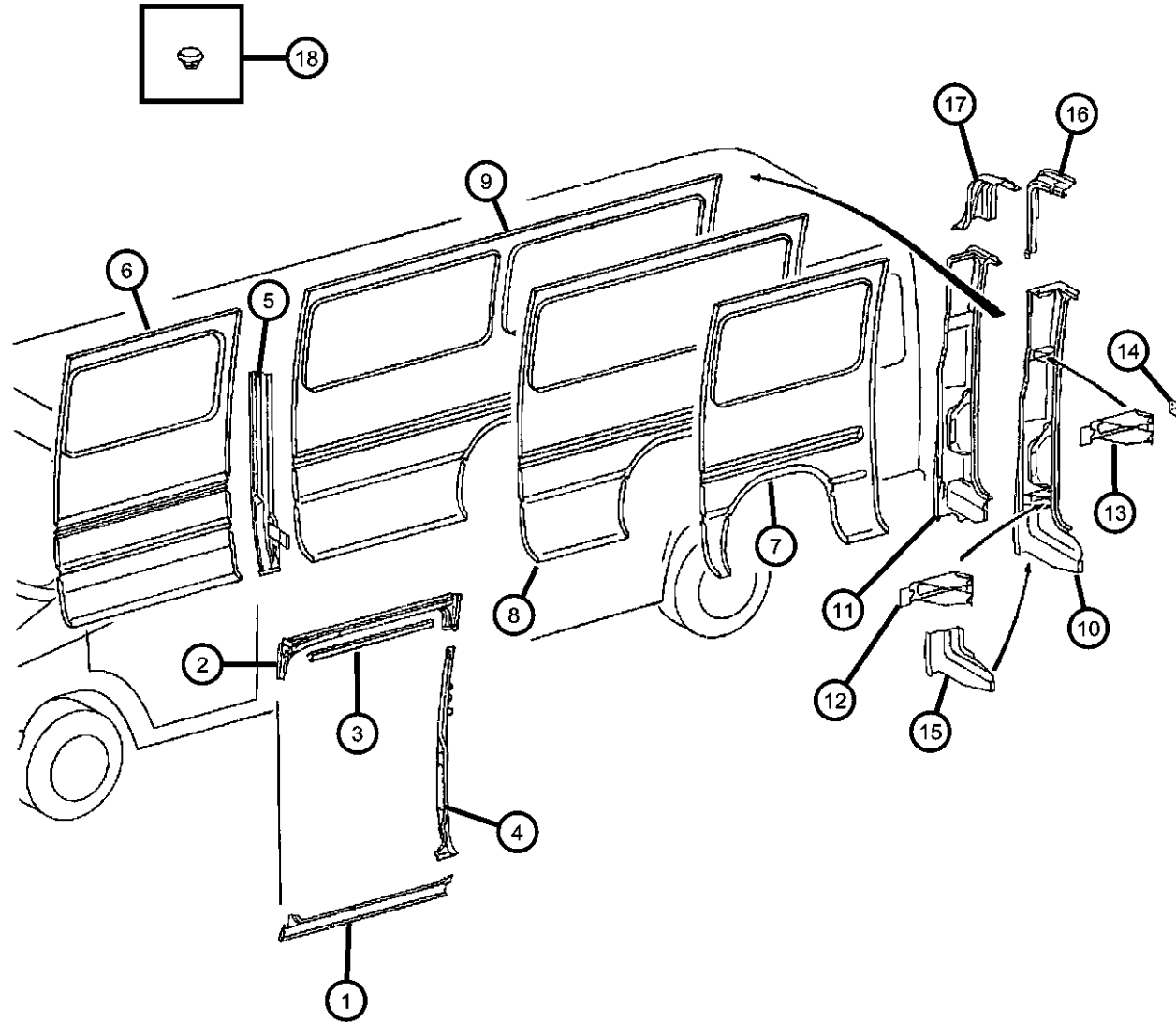
ITEM	PART NUMBER	QTY	LINE	SERIES	BODY	ENGINE	TRANS	TRIM	DESCRIPTION
	05121965AA	1	2, 6		12, 15				With [5AE] Without [WDG]
	05121967AA	1	2, 6		52, 55				With [5AE]
	05131161AA	1	2, 6		12, 15				With [5AE+WDG]
	05131167AA	1	2, 6		12, 15				With [5AE+WDG+GEQ]
		1	2, 6		52, 55				With [5AE+WDG]
9									PANEL, Body Side Rear
	05104223AA	1	2, 6						With [GKA+5AF], Right
	05104225AA	1	2, 6		16				With [5AF], Right
	05121970AA	1	2, 6		16				With [5AF+GEQ Or GEU]
		1	2, 6		56				With [5AF]
10									PANEL, D Pillar
	05104176AA	1	2, 6		14, 15, 16				With [MWJ], Right
		1	2, 6		56, 54, 55				With [MWJ], Right
		1	3, 7		15, 16				With [MWJ], Right
11	05104208AA	1	2, 6		11, 12				PANEL, D Pillar
12									REINFORCEMENT, Rear door hinge
	05104209AA	1	2, 6		11, 12, 14, 15, 16				
		1	2, 6		51, 52, 54, 55, 56				
		1	3, 7		12, 15, 16				
13									REINFORCEMENT, Rear door hinge
	05104215AA	1	2, 6		11, 12, 14, 15, 16				
		1	2, 6		51, 52, 54, 55, 56				
		1	3, 7		12, 15, 16				
14									PLATE, Rear Door Hinge

SPRINTER (VA)

SERIES	LINE	BODY	ENGINE	TRANSMISSION
L = LOWLINE	3 = HD DODGE 2WD	01 = CHASSIS FORWARD CONTROL W.B.1	EX8 = 2.7L I5 Turbo Diesel Engine	DGJ = 5-Speed Automatic MB Transmission
	8 = HD DODGE 4WD	02 = CAB CHASSIS WHEEL BASE 2	EX9 = 2.7L I5 Mercedes-Benz TD Engine	DGZ = 4-Spd. Automatic MT643 Transmission
	6 = Lt. Duty DODGE 4WD	06 = CAB CHASSIS WHEEL BASE 6		
	2 = Med. Duty DODGE 2WD	11 = VAN WHEEL BASE 1		
	7 = Med. Duty DODGE 4WD	12 = VAN WHEEL BASE 2		
	4 = TRUCK	51 = WAGON WHEEL BASE 1		
		52 = WAGON WHEEL BASE 2		
		14 = VAN WHEEL BASE 4		
		15 = VAN WHEEL BASE 5		
		54 = WAGON WHEEL BASE 4		
		55 = WAGON WHEEL BASE 5		
		56 = WAGON WHEEL BASE 6		
		16 = VAN WHEEL BASE 6		

AR = use ase required - = Non illustrated part

**Right Side, Outer Panels
Figure SVA-930**



ITEM	PART NUMBER	QTY	LINE	SERIES	BODY	ENGINE	TRANS	TRIM	DESCRIPTION
	05104188AA	2	2, 6		11, 12, 14, 15, 16				
		2	2, 6		51, 52, 54, 55, 56				
		2	3, 7		12, 15, 16				
15									EXTENSION, D Pillar Lower
	05104211AA	1	2, 6		11, 12, 14, 15, 16				
		1	2, 6		51, 52, 54, 55, 56				
		1	3, 7		16, 12, 15				
16									EXTENSION, D Pillar Upper
	05104224AA	1	2, 6		14, 15, 16				With [MWJ], Right
		1	2, 6		54, 55, 56				With [MWJ], Right
		1	3, 7		15, 16				With [MWJ], Right
17									PANEL, D Pillar Trim
	05104218AA	1	2, 6		14, 15, 16				With [MWJ], Right
		1	2, 6		54, 55, 56				With [MWJ], Right
		1	3, 7		15, 16				With [MWJ], Right
18									PLUG, Expansion
	05133657AA	1	3, 7		12, 15, 16				
		1	2, 6		11, 12, 14, 15, 16				
		1	2, 6		51, 52, 54, 55, 56				

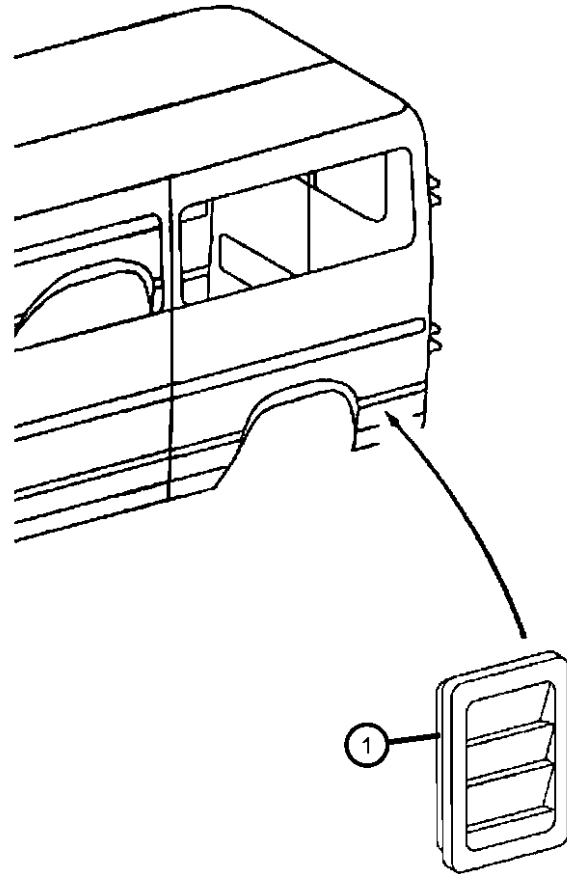
SPRINTER (VA)

SERIES	LINE	BODY	ENGINE	TRANSMISSION
L = LOWLINE	3 = HD DODGE 2WD 8 = HD DODGE 4WD 6 = Lt. Duty DODGE 4WD 2 = Med. Duty DODGE 2WD 7 = Med. Duty DODGE 4WD 4 = TRUCK	01 = CHASSIS FORWARD CONTROL W.B.1 02 = CAB CHASSIS WHEEL BASE 2 06 = CAB CHASSIS WHEEL BASE 6 11 = VAN WHEEL BASE 1 12 = VAN WHEEL BASE 2 51 = WAGON WHEEL BASE 1 52 = WAGON WHEEL BASE 2 14 = VAN WHEEL BASE 4 15 = VAN WHEEL BASE 5 54 = WAGON WHEEL BASE 4 55 = WAGON WHEEL BASE 5 56 = WAGON WHEEL BASE 6 16 = VAN WHEEL BASE 6	EX8 = 2.7L I5 Turbo Diesel Engine EX9 = 2.7L I5 Mercedes-Benz TD Engine	DGJ = 5-Speed Automatic MB Transmission DGZ = 4-Spd. Automatic MT643 Transmission

AR = use ase required - = Non illustrated part

Ventilation Flap
Figure SVA-940

ITEM	PART NUMBER	QTY	LINE	SERIES	BODY	ENGINE	TRANS	TRIM	DESCRIPTION
1									EXHAUSTER, Quarter Panel
	05104472AA	2	2, 6		11, 12, 14, 15, 16				
		2	2, 6		51, 52, 54, 55, 56				
		2	3, 7		12, 15, 16				



SPRINTER (VA)

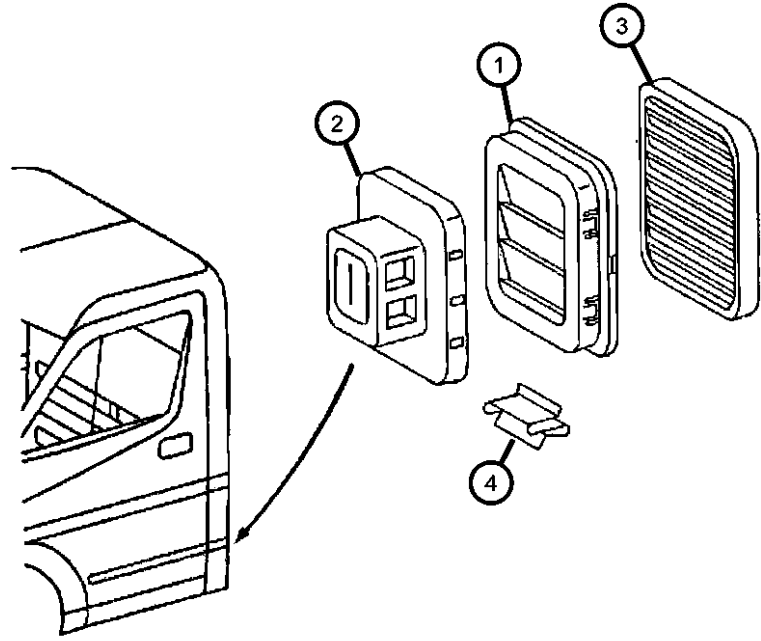
SERIES	LINE	BODY	ENGINE	TRANSMISSION
L = LOWLINE	3 = HD DODGE 2WD 8 = HD DODGE 4WD 6 = Lt. Duty DODGE 4WD 2 = Med. Duty DODGE 2WD 7 = Med. Duty DODGE 4WD 4 = TRUCK	01 = CHASSIS FORWARD CONTROL W.B.1 02 = CAB CHASSIS WHEEL BASE 2 06 = CAB CHASSIS WHEEL BASE 6 11 = VAN WHEEL BASE 1 12 = VAN WHEEL BASE 2 51 = WAGON WHEEL BASE 1 52 = WAGON WHEEL BASE 2 14 = VAN WHEEL BASE 4 15 = VAN WHEEL BASE 5 54 = WAGON WHEEL BASE 4 55 = WAGON WHEEL BASE 5 56 = WAGON WHEEL BASE 6 16 = VAN WHEEL BASE 6	EX8 = 2.7L I5 Turbo Diesel Engine EX9 = 2.7L I5 Mercedes-Benz TD Engine	DGJ = 5-Speed Automatic MB Transmission DGZ = 4-Spd. Automatic MT643 Transmission

AR = use ase required - = Non illustrated part

2006 VA

Ventilation Flap
Figure SVA-945

ITEM	PART NUMBER	QTY	LINE	SERIES	BODY	ENGINE	TRANS	TRIM	DESCRIPTION
1	05104472AA	2	2, 6		01, 02, 06				EXHAUSTER, Quarter Panel
		2	3, 7		02, 06				
2	05124736AA	2	2, 6		01, 02, 06				EXHAUSTER, Quarter Panel
		2	3, 7		02, 06				Duct Only
3	05124903AA	2	2, 6		01, 02, 06				EXHAUSTER, Quarter Panel
		2	3, 7		02, 06				Grille
4	05125574AA	8	2, 6		01, 02, 06				CLIP, U Type
		8	3, 7		02, 06				



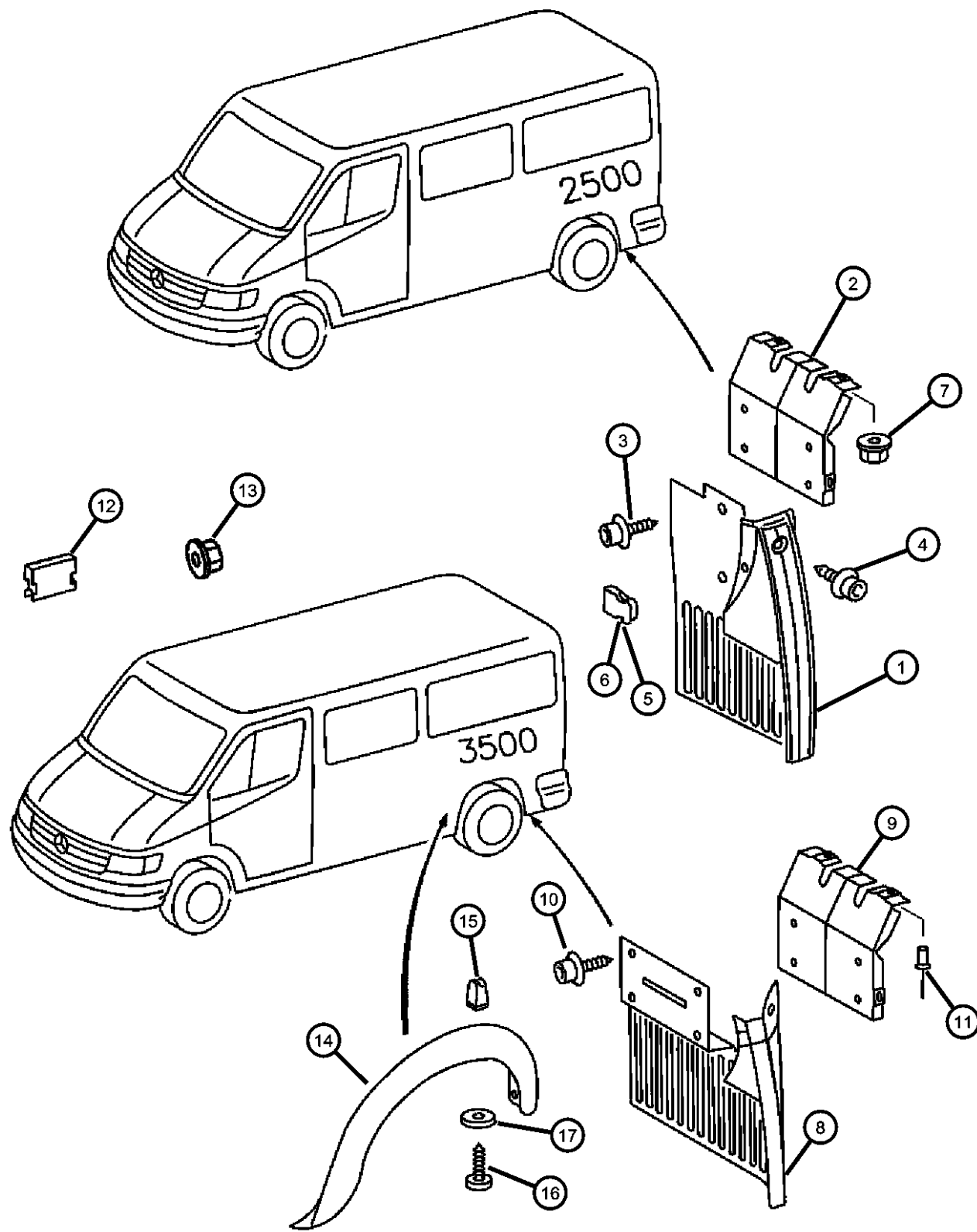
SPRINTER (VA)

SERIES	LINE	BODY	ENGINE	TRANSMISSION
L = LOWLINE	3 = HD DODGE 2WD 8 = HD DODGE 4WD 6 = Lt. Duty DODGE 4WD 2 = Med. Duty DODGE 2WD 7 = Med. Duty DODGE 4WD 4 = TRUCK	01 = CHASSIS FORWARD CONTROL W.B.1 02 = CAB CHASSIS WHEEL BASE 2 06 = CAB CHASSIS WHEEL BASE 6 11 = VAN WHEEL BASE 1 12 = VAN WHEEL BASE 2 51 = WAGON WHEEL BASE 1 52 = WAGON WHEEL BASE 2 14 = VAN WHEEL BASE 4 15 = VAN WHEEL BASE 5 54 = WAGON WHEEL BASE 4 55 = WAGON WHEEL BASE 5 56 = WAGON WHEEL BASE 6 16 = VAN WHEEL BASE 6	EX8 = 2.7L I5 Turbo Diesel Engine EX9 = 2.7L I5 Mercedes-Benz TD Engine	DGJ = 5-Speed Automatic MB Transmission DGZ = 4-Spd. Automatic MT643 Transmission

AR = use ase required - = Non illustrated part

2006 VA

Rear Splash Shield
Figure SVA-970



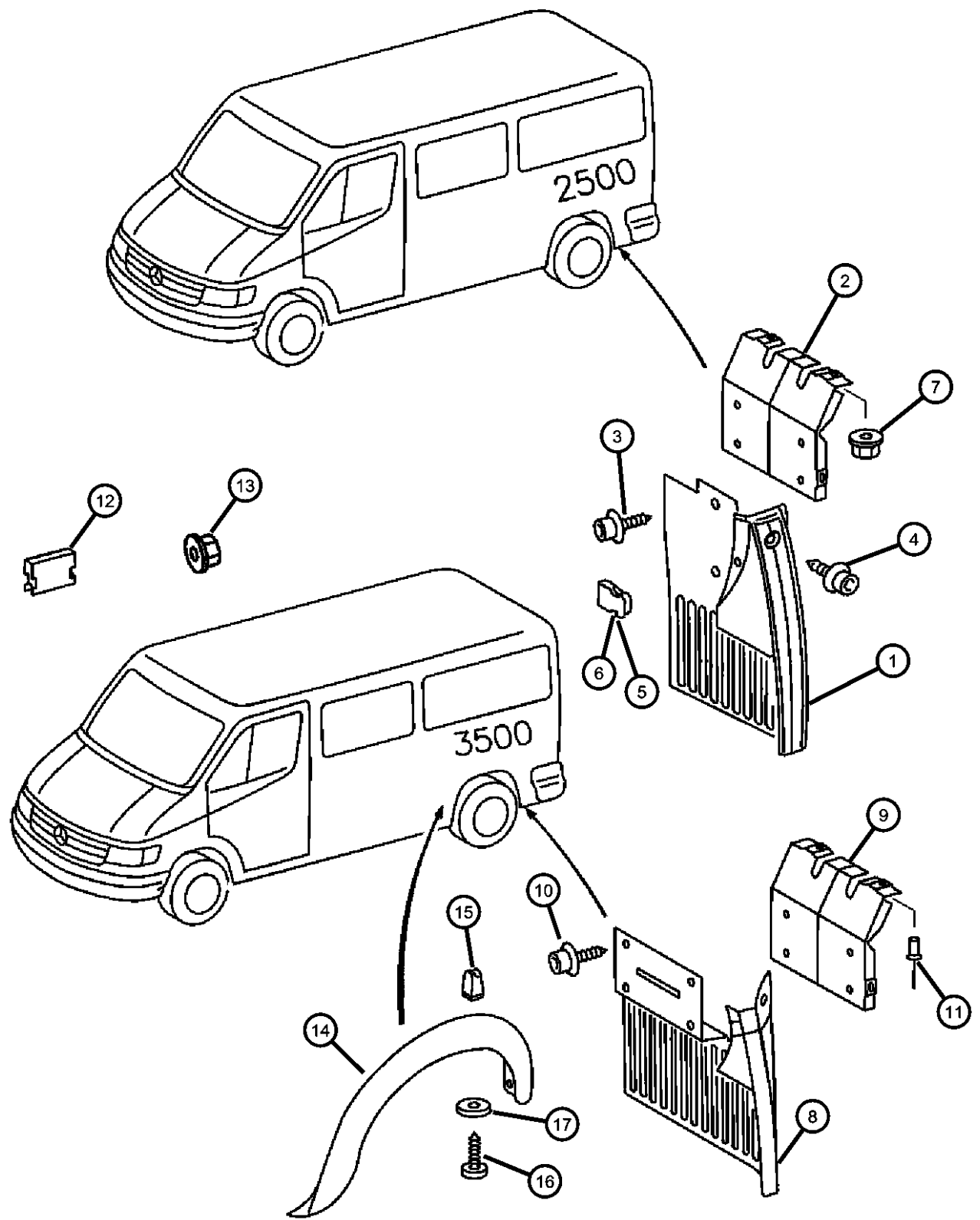
ITEM	PART NUMBER	QTY	LINE	SERIES	BODY	ENGINE	TRANS	TRIM	DESCRIPTION
1									GUARD, Splash
	05104518AA	1	2, 6		51, 52, 54, 55, 56				With [MEJ] Sales Code, Left Rear
		1	3, 7		02, 06				With [MEJ] Sales Code, Left Rear
		1	3, 7		12, 15, 16				With [MEJ] Sales Code, Left Rear
	05104521AA	1	2, 6		01, 02, 06				With [MEJ] Sales Code, Right Rear
		1	2, 6		11, 12, 14, 15, 16				With [MEJ] Sales Code, Right Rear
		1	2, 6		01, 02, 06				With [MEJ] Sales Code, Left Rear
		1	2, 6		11, 12, 14, 15, 16				With [MEJ] Sales Code, Left Rear
	05125153AA	1	3, 7		12, 15, 16				With [MEG] Sales Code, Right Rear
	05132505AA	1	2, 6		11, 12, 14, 15, 16				With [MEG + WDG] Sales Code, Left Rear
		1	2, 6		51, 52, 54, 55, 56				With [MEG + WDG] Sales Code, Left Rear
	05132507AA	1	2, 6		11, 12, 14, 15, 16				With [MEG + WDG], Right Rear
		1	2, 6		51, 52, 54, 55, 56				With [MEG + WDG] Sales Code, Right Rear
		1	2, 6		51, 52, 54, 55, 56				With [MEJ] Sales Code, Right Rear
		1	3, 7		02, 06				With [MEJ] Sales Code, Right Rear
		1	3, 7		12, 15, 16				With [MEJ] Sales Code, Right Rear
	05125152AA	1	3, 7		12, 15, 16				With [MEG] Sales Code, Left Rear
2									BRACKET
	05104520AA	1	2, 6		11, 12, 14, 15, 16				Left
		1	2, 6		51, 52, 54, 55, 56				Left

SPRINTER (VA)

SERIES	LINE	BODY	ENGINE	TRANSMISSION
L = LOWLINE	3 = HD DODGE 2WD 8 = HD DODGE 4WD 6 = Lt. Duty DODGE 4WD 2 = Med. Duty DODGE 2WD 7 = Med. Duty DODGE 4WD 4 = TRUCK	01 = CHASSIS FORWARD CONTROL W.B.1 02 = CAB CHASSIS WHEEL BASE 2 06 = CAB CHASSIS WHEEL BASE 6 11 = VAN WHEEL BASE 1 12 = VAN WHEEL BASE 2 51 = WAGON WHEEL BASE 1 52 = WAGON WHEEL BASE 2 14 = VAN WHEEL BASE 4 15 = VAN WHEEL BASE 5 54 = WAGON WHEEL BASE 4 55 = WAGON WHEEL BASE 5 56 = WAGON WHEEL BASE 6 16 = VAN WHEEL BASE 6	EX8 = 2.7L I5 Turbo Diesel Engine EX9 = 2.7L I5 Mercedes-Benz TD Engine	DGJ = 5-Speed Automatic MB Transmission DGZ = 4-Spd. Automatic MT643 Transmission

AR = use ase required - = Non illustrated part

Rear Splash Shield
Figure SVA-970



ITEM	PART NUMBER	QTY	LINE	SERIES	BODY	ENGINE	TRANS	TRIM	DESCRIPTION
	05104522AA	1	2, 6		11, 12, 14, 15, 16				Right
		1	2, 6		51, 52, 54, 55, 56				Right
3									SCREW
	06104581AA	7	2, 6		01, 02, 06				
		7	2, 6		11, 12, 14, 15, 16				
		7	2, 6		51, 52, 54, 55, 56				
		7	3, 7		02, 06				
		7	3, 7		12, 15, 16				
4									SCREW
	06104581AA	2	2, 6		01, 02, 06				
		2	2, 6		11, 12, 14, 15, 16				
		2	2, 6		51, 52, 54, 55, 56				
		2	3, 7		02, 06				
		2	3, 7		12, 15, 16				
5									CLIP
	05103875AA	2	2, 6		11, 12, 14, 15, 16				
		2	2, 6		51, 52, 54, 55, 56				
6									CLIP
	05132726AA	2	2, 6		11, 12, 14, 15, 16				
		2	2, 6		51, 52, 54, 55, 56				
7									NUT, Hex
	06104911AA	2	2, 6		11, 12, 14, 15, 16				

SPRINTER (VA)
SERIES
L = LOWLINE

LINE
3 = HD DODGE 2WD
8 = HD DODGE 4WD
6 = Lt. Duty DODGE 4WD
2 = Med. Duty DODGE 2WD
7 = Med. Duty DODGE 4WD
4 = TRUCK

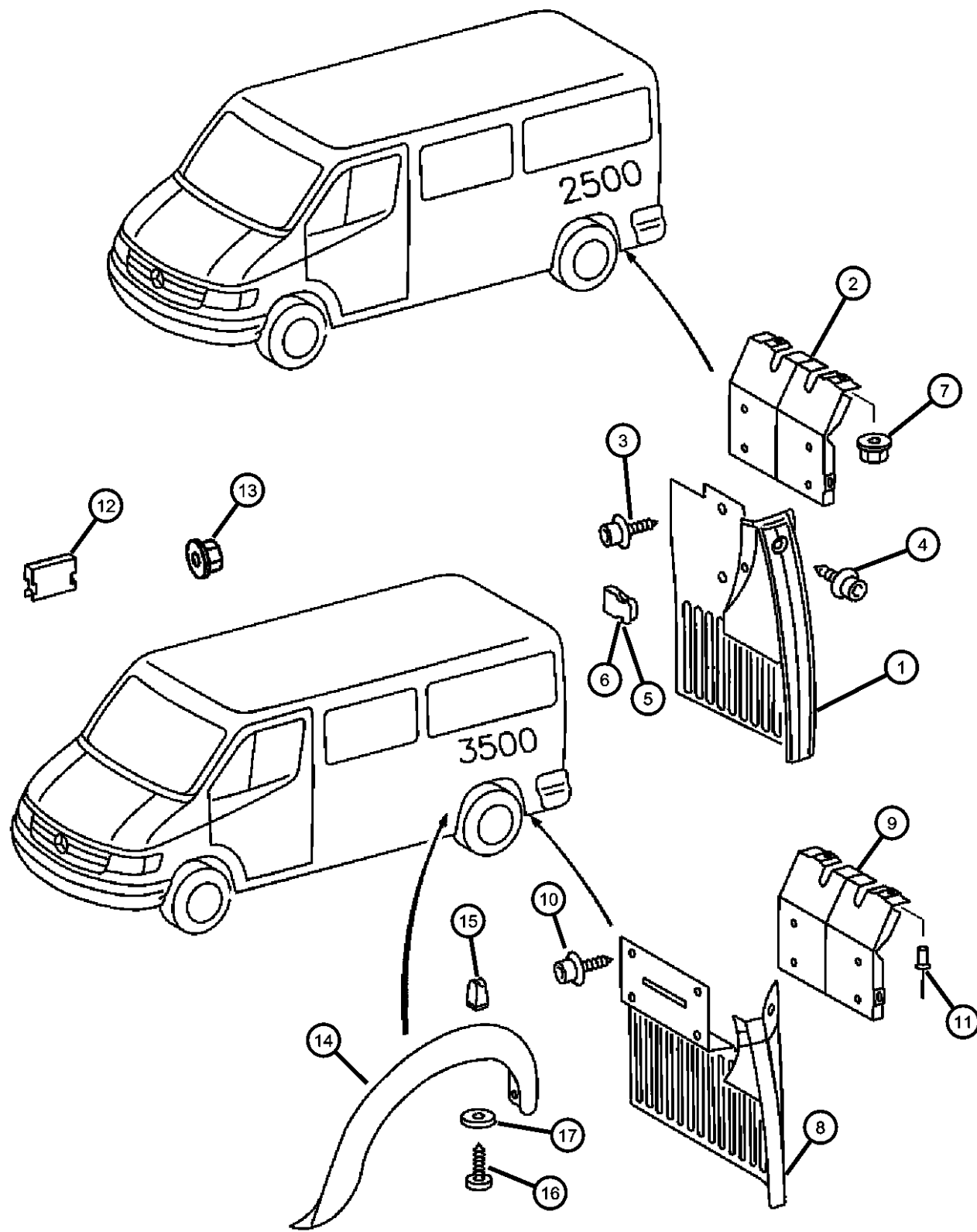
BODY
01 = CHASSIS FORWARD CONTROL W.B.1
02 = CAB CHASSIS WHEEL BASE 2
06 = CAB CHASSIS WHEEL BASE 6
11 = VAN WHEEL BASE 1
12 = VAN WHEEL BASE 2
51 = WAGON WHEEL BASE 1
52 = WAGON WHEEL BASE 2
14 = VAN WHEEL BASE 4
15 = VAN WHEEL BASE 5
54 = WAGON WHEEL BASE 4
55 = WAGON WHEEL BASE 5
56 = WAGON WHEEL BASE 6
16 = VAN WHEEL BASE 6

ENGINE
EX8 = 2.7L I5 Turbo Diesel Engine
EX9 = 2.7L I5 Mercedes-Benz TD Engine

TRANSMISSION
DGJ = 5-Speed Automatic MB Transmission
DGZ = 4-Spd. Automatic MT643 Transmission

AR = use ase required - = Non illustrated part

Rear Splash Shield
Figure SVA-970



ITEM	PART NUMBER	QTY	LINE	SERIES	BODY	ENGINE	TRANS	TRIM	DESCRIPTION
		2	2, 6		51, 52, 54, 55, 56				
		1	3, 7		02, 06				
		1	3, 7		12, 15, 16				
8									GUARD, Splash
	05125153AA	1	3, 7		12, 15, 16				Right
	05125152AA	1	3, 7		12, 15, 16				Left
9	05125158AA	2	3, 7		12, 15, 16				BRACKET Right & Left
10	06104581AA	8	3, 7		12, 15, 16				SCREW
11	06104871AA	4	3, 7		12, 15, 16				RIVET
12	05125567AA	4	3, 7		12, 15, 16				CLIP
13	06104911AA	2	3, 7		12, 15, 16				NUT, Hex
14	05125142AA	2	3, 7		12, 15, 16				MOLDING, Wheel Opening Flare
15	05098837AB	16	3, 7		12, 15, 16				NUT, Plastic Snap-in
16	06104614AA	16	2, 6		11, 12, 14, 15, 16				SCREW
17	05104639AA	16	3, 7		12, 15, 16				WASHER

SPRINTER (VA)

SERIES

L = LOWLINE

LINE

3 = HD DODGE 2WD
8 = HD DODGE 4WD
6 = Lt. Duty DODGE 4WD
2 = Med. Duty DODGE 2WD
7 = Med. Duty DODGE 4WD
4 = TRUCK

BODY

01 = CHASSIS FORWARD CONTROL W.B.1
02 = CAB CHASSIS WHEEL BASE 2
06 = CAB CHASSIS WHEEL BASE 6
11 = VAN WHEEL BASE 1
12 = VAN WHEEL BASE 2
51 = WAGON WHEEL BASE 1
52 = WAGON WHEEL BASE 2
14 = VAN WHEEL BASE 4
15 = VAN WHEEL BASE 5
54 = WAGON WHEEL BASE 4
55 = WAGON WHEEL BASE 5
56 = WAGON WHEEL BASE 6
16 = VAN WHEEL BASE 6

ENGINE

EX8 = 2.7L I5 Turbo Diesel Engine
EX9 = 2.7L I5 Mercedes-Benz TD Engine

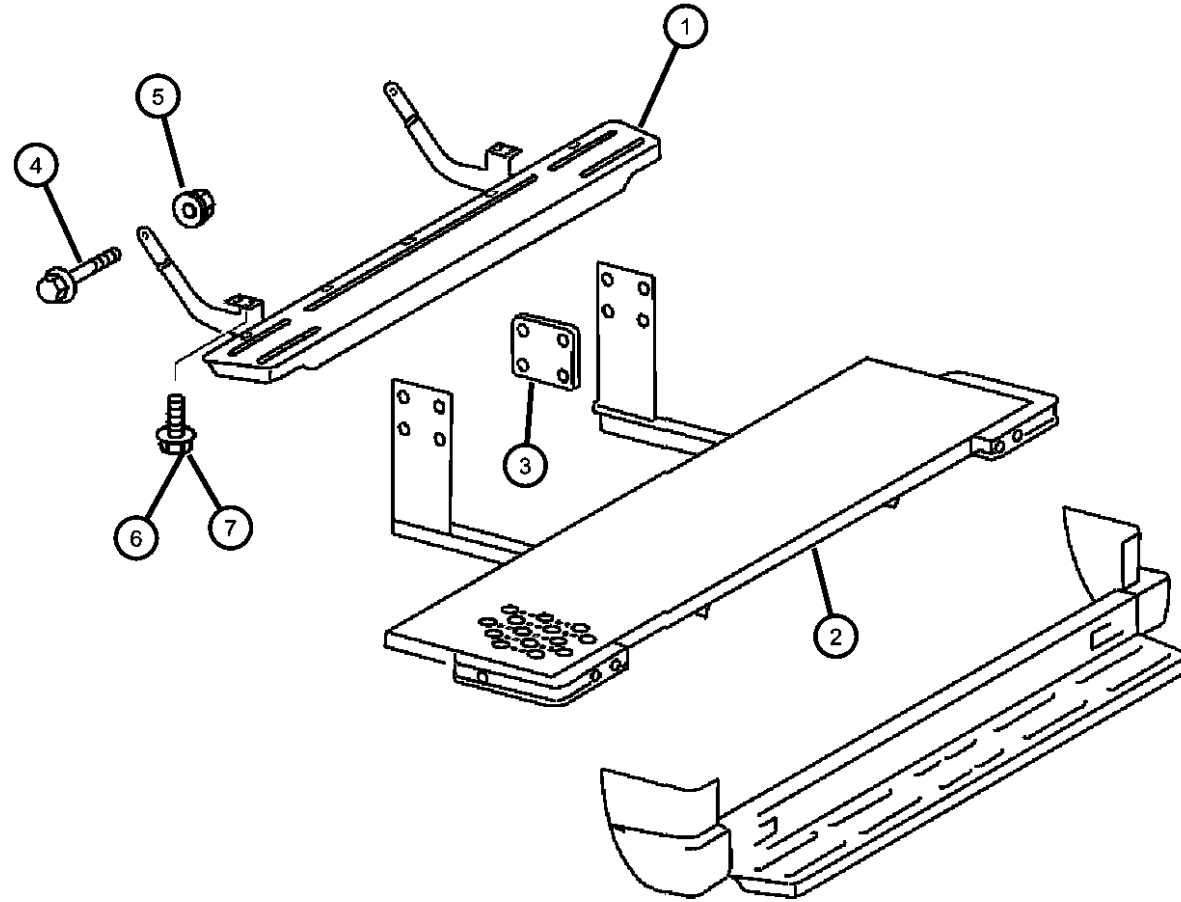
TRANSMISSION

DGJ = 5-Speed Automatic MB Transmission
DGZ = 4-Spd. Automatic MT643 Transmission

AR = use ase required - = Non illustrated part

2006 VA

Rear Step Panel
Figure SVA-980



ITEM	PART NUMBER	QTY	LINE	SERIES	BODY	ENGINE	TRANS	TRIM	DESCRIPTION
1									BUMPER, Step
	05104132AA	1	2, 6		12, 15				With 140 & 158 Inch Wheelbase
		1	2, 6		52, 55				With 140 & 158 Inch Wheelbase
	05104133AA	1	2, 6		11, 14				With 118 Inch Wheelbase
		1	2, 6		51, 54				With 118 Inch Wheelbase
	05120038AA	1	3, 7		12, 15				With 140 Inch Wheelbase
	05120040AA	1	3, 7		16				With 158 Inch Wheelbase
2									BUMPER, Step
	05104135AA	1	2, 6		16				
		1	2, 6		56				
3									PLATE, Towing Mounting
	05104056AA	2	2, 6		01, 02, 06				
		2	2, 6		11, 12, 14, 15, 16				
		2	2, 6		51, 52, 54, 55, 56				
		2	3, 7		02, 06				
		2	3, 7		12, 15, 16				
4									SCREW
	05104664AA	8	2, 6		11, 12, 14, 15, 16				
		8	2, 6		51, 52, 54, 55, 56				
		8	3, 7		12, 15, 16				
5									NUT
	06104718AA	8	2, 6		01, 02, 06				
		8	2, 6		51, 52, 54, 55, 56				
		8	2, 6		11, 12, 14, 15, 16				
		8	3, 7		02, 06				

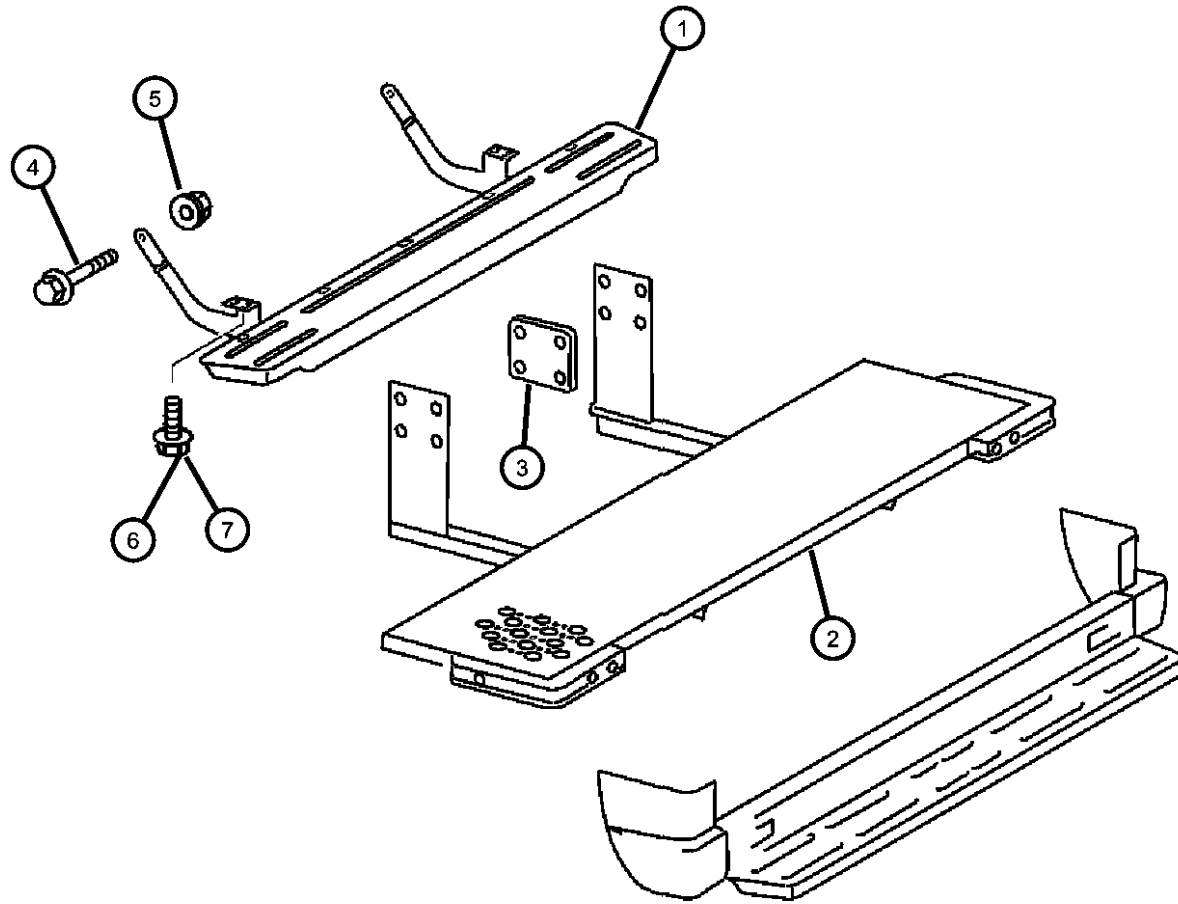
SPRINTER (VA)

SERIES	LINE	BODY	ENGINE	TRANSMISSION
L = LOWLINE	3 = HD DODGE 2WD 8 = HD DODGE 4WD 6 = Lt. Duty DODGE 4WD 2 = Med. Duty DODGE 2WD 7 = Med. Duty DODGE 4WD 4 = TRUCK	01 = CHASSIS FORWARD CONTROL W.B.1 02 = CAB CHASSIS WHEEL BASE 2 06 = CAB CHASSIS WHEEL BASE 6 11 = VAN WHEEL BASE 1 12 = VAN WHEEL BASE 2 51 = WAGON WHEEL BASE 1 52 = WAGON WHEEL BASE 2 14 = VAN WHEEL BASE 4 15 = VAN WHEEL BASE 5 54 = WAGON WHEEL BASE 4 55 = WAGON WHEEL BASE 5 56 = WAGON WHEEL BASE 6 16 = VAN WHEEL BASE 6	EX8 = 2.7L I5 Turbo Diesel Engine EX9 = 2.7L I5 Mercedes-Benz TD Engine	DGJ = 5-Speed Automatic MB Transmission DGZ = 4-Spd. Automatic MT643 Transmission

AR = use ase required - = Non illustrated part

Rear Step Panel
Figure SVA-980

ITEM	PART NUMBER	QTY	LINE	SERIES	BODY	ENGINE	TRANS	TRIM	DESCRIPTION
6		8	3, 7		12, 15, 16				BOLT, Hex Flange Head, M10x1.50x25
	06104215AA	4	3, 7		12, 15, 16				Rocker Panel to Frame
		2	2, 6		11, 12, 14, 15, 16				Rocker Panel to Frame
		2	2, 6		51, 52, 54, 55, 56				Rocker Panel to Frame
7									SCREW
	05104666AA	4	2, 6		11, 12, 14, 15, 16				
		4	2, 6		51, 52, 54, 55, 56				
		4	3, 7		12, 15, 16				

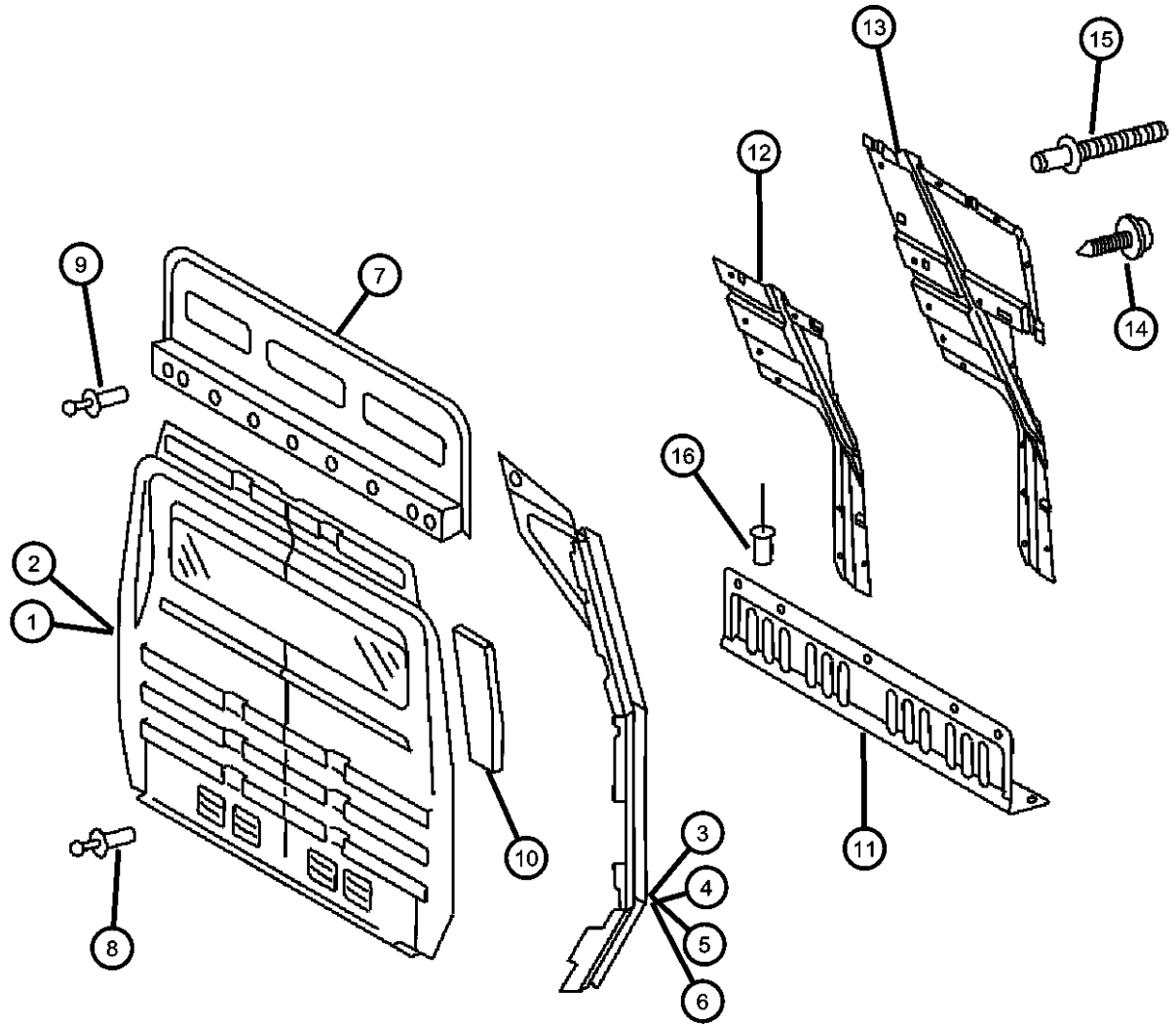


SPRINTER (VA)

SERIES	LINE	BODY	ENGINE	TRANSMISSION
L = LOWLINE	3 = HD DODGE 2WD 8 = HD DODGE 4WD 6 = Lt. Duty DODGE 4WD 2 = Med. Duty DODGE 2WD 7 = Med. Duty DODGE 4WD 4 = TRUCK	01 = CHASSIS FORWARD CONTROL W.B.1 02 = CAB CHASSIS WHEEL BASE 2 06 = CAB CHASSIS WHEEL BASE 6 11 = VAN WHEEL BASE 1 12 = VAN WHEEL BASE 2 51 = WAGON WHEEL BASE 1 52 = WAGON WHEEL BASE 2 14 = VAN WHEEL BASE 4 15 = VAN WHEEL BASE 5 54 = WAGON WHEEL BASE 4 55 = WAGON WHEEL BASE 5 56 = WAGON WHEEL BASE 6 16 = VAN WHEEL BASE 6	EX8 = 2.7L I5 Turbo Diesel Engine EX9 = 2.7L I5 Mercedes-Benz TD Engine	DGJ = 5-Speed Automatic MB Transmission DGZ = 4-Spd. Automatic MT643 Transmission

AR = use ase required - = Non illustrated part

Partition Wall & Load Protection Grill
Figure SVA-990



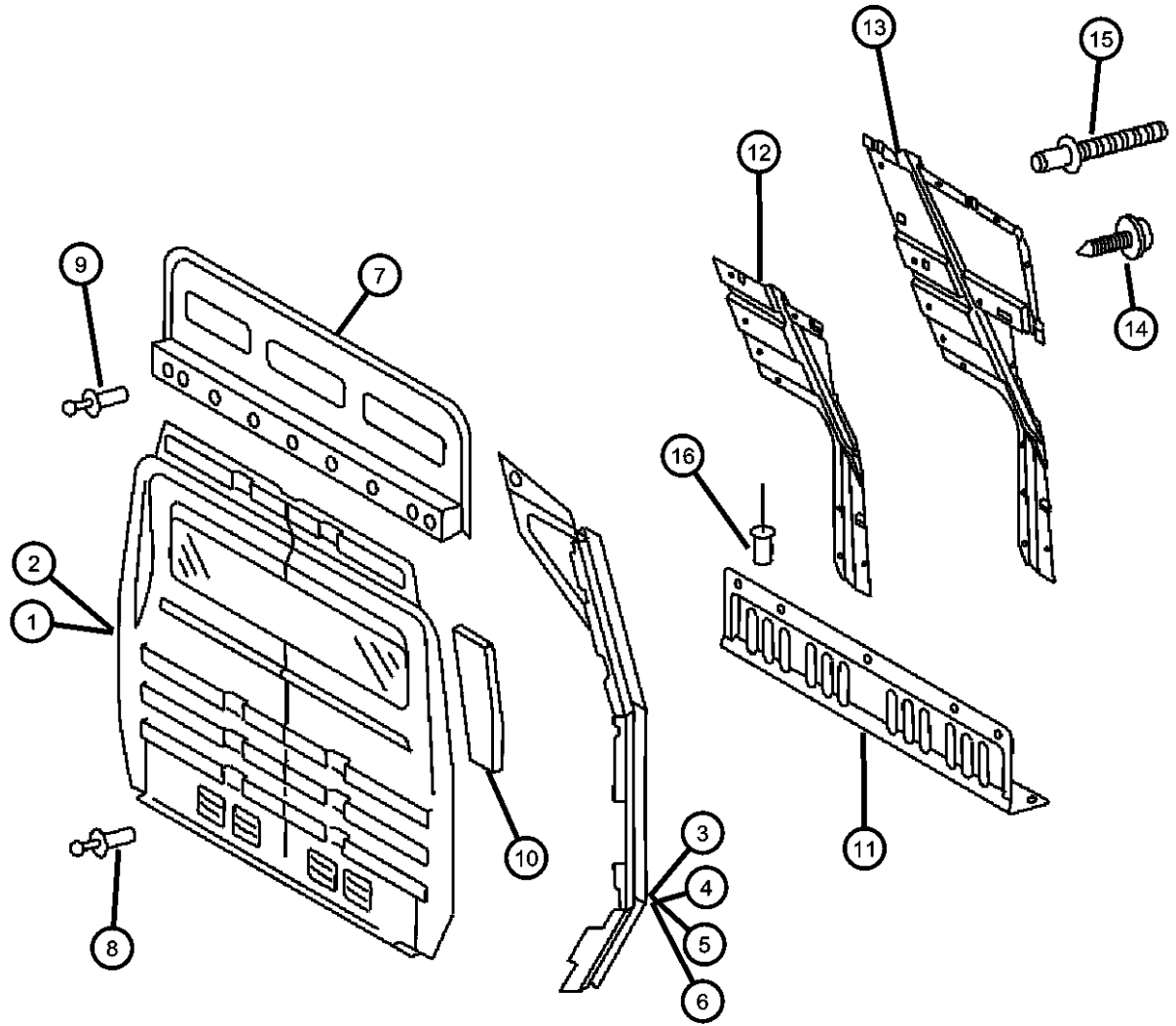
ITEM	PART NUMBER	QTY	LINE	SERIES	BODY	ENGINE	TRANS	TRIM	DESCRIPTION
1									PANEL, Cargo Compartment, Without Windows
	05104304AA	1	2, 6		11, 12, 14, 15, 16				
		1	3, 7		12, 15, 16				
2									PANEL, Cargo Compartment, With Windows
	05104307AA	1	3, 7		12, 15, 16				
		1	2, 6		11, 12, 14, 15, 16				
3									PANEL EXTENSION, Extension, W/O Slide Left
	05104310AA	1	2, 6		11, 12, 14, 15, 16				
		1	3, 7		12, 15, 16				Left
4									PANEL EXTENSION, Extension, W/ Slide Left
	05104311AA	1	2, 6		11, 12, 14, 15, 16				
		1	3, 7		12, 15, 16				Left
5									PANEL EXTENSION, Extension, W/O Slide Right
	05123641AA	1	2, 6		11, 12, 14, 15, 16				
		1	3, 7		12, 15, 16				Right
6									PANEL EXTENSION, Extension, W/ Slide Right
	05104312AA	1	2, 6		11, 12, 14, 15, 16				
		1	3, 7		12, 15, 16				Right
7									PANEL, Cargo Compartment, Upper
	05104308AA	1	3, 7		15, 16				
		1	2, 6		14, 15, 16				
8									RIVET

SPRINTER (VA)

SERIES	LINE	BODY	ENGINE	TRANSMISSION
L = LOWLINE	3 = HD DODGE 2WD 8 = HD DODGE 4WD 6 = Lt. Duty DODGE 4WD 2 = Med. Duty DODGE 2WD 7 = Med. Duty DODGE 4WD 4 = TRUCK	01 = CHASSIS FORWARD CONTROL W.B.1 02 = CAB CHASSIS WHEEL BASE 2 06 = CAB CHASSIS WHEEL BASE 6 11 = VAN WHEEL BASE 1 12 = VAN WHEEL BASE 2 51 = WAGON WHEEL BASE 1 52 = WAGON WHEEL BASE 2 14 = VAN WHEEL BASE 4 15 = VAN WHEEL BASE 5 54 = WAGON WHEEL BASE 4 55 = WAGON WHEEL BASE 5 56 = WAGON WHEEL BASE 6 16 = VAN WHEEL BASE 6	EX8 = 2.7L I5 Turbo Diesel Engine EX9 = 2.7L I5 Mercedes-Benz TD Engine	DGJ = 5-Speed Automatic MB Transmission DGZ = 4-Spd. Automatic MT643 Transmission

AR = use ase required - = Non illustrated part

Partition Wall & Load Protection Grill
Figure SVA-990



ITEM	PART NUMBER	QTY	LINE	SERIES	BODY	ENGINE	TRANS	TRIM	DESCRIPTION
	05103839AA	16	2, 6		11, 12, 14, 15, 16				
		16	3, 7		12, 15, 16				
9									RIVET
	05103838AA	4	2, 6		01, 02, 06				
		4	2, 6		11, 12, 14, 15, 16				
		4	2, 6		51, 52, 54, 55, 56				
		4	3, 7		12, 15, 16				
10									PAD, Isolator
	05103712AA	1	2, 6		11, 12, 14, 15, 16				10 Meters Long
		1	2, 6		51, 52, 54, 55, 56				10 Meters Long
		1	3, 7		02, 06				10 Meters Long
		1	3, 7		12, 15, 16				10 Meters Long
11	05123631AA	1	3, 7		12, 15, 16				REINFORCEMENT, Cab Back
12	05104313AA	1							REINFORCEMENT, Side Panel
13	05104314AA	1							REINFORCEMENT, Side Panel
14									SCREW, Tapping
	06104580AA	2	2, 6		11, 12, 14, 15, 16				
		2	2, 6		51, 52, 54, 55, 56				
		2	3, 7		12, 15, 16				
15									RIVET
	05103838AA	4	2, 6		01, 02, 06				
		4	2, 6		11, 12, 14, 15, 16				

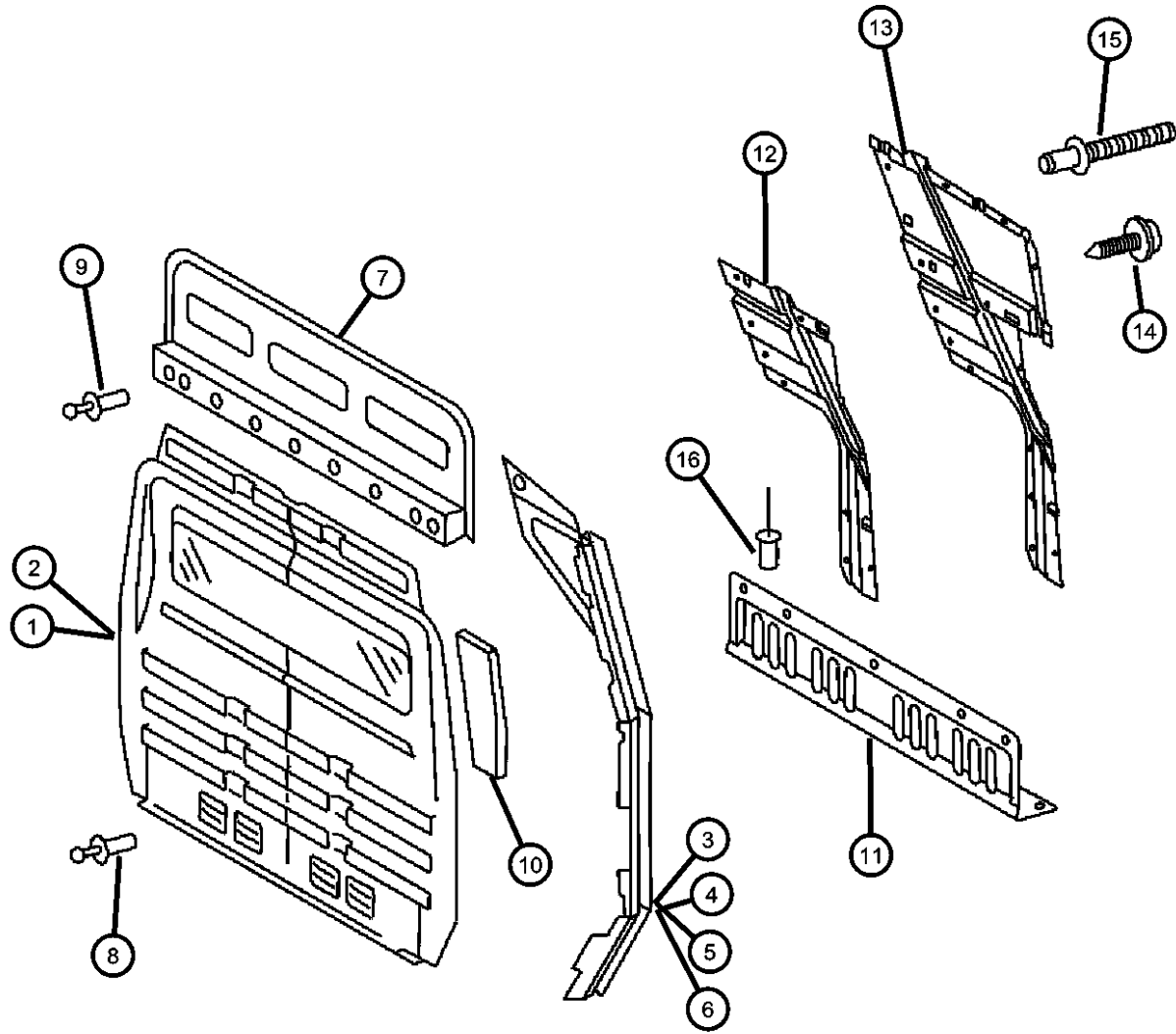
SPRINTER (VA)

SERIES	LINE	BODY	ENGINE	TRANSMISSION
L = LOWLINE	3 = HD DODGE 2WD 8 = HD DODGE 4WD 6 = Lt. Duty DODGE 4WD 2 = Med. Duty DODGE 2WD 7 = Med. Duty DODGE 4WD 4 = TRUCK	01 = CHASSIS FORWARD CONTROL W.B.1 02 = CAB CHASSIS WHEEL BASE 2 06 = CAB CHASSIS WHEEL BASE 6 11 = VAN WHEEL BASE 1 12 = VAN WHEEL BASE 2 51 = WAGON WHEEL BASE 1 52 = WAGON WHEEL BASE 2 14 = VAN WHEEL BASE 4 15 = VAN WHEEL BASE 5 54 = WAGON WHEEL BASE 4 55 = WAGON WHEEL BASE 5 56 = WAGON WHEEL BASE 6 16 = VAN WHEEL BASE 6	EX8 = 2.7L I5 Turbo Diesel Engine EX9 = 2.7L I5 Mercedes-Benz TD Engine	DGJ = 5-Speed Automatic MB Transmission DGZ = 4-Spd. Automatic MT643 Transmission

AR = use ase required - = Non illustrated part

**Partition Wall & Load Protection Grill
Figure SVA-990**

ITEM	PART NUMBER	QTY	LINE	SERIES	BODY	ENGINE	TRANS	TRIM	DESCRIPTION
		4	2, 6		51, 52, 54, 55, 56				
16	05125822AA	10	3, 7		12, 15, 16				RIVET, Blind Bulb

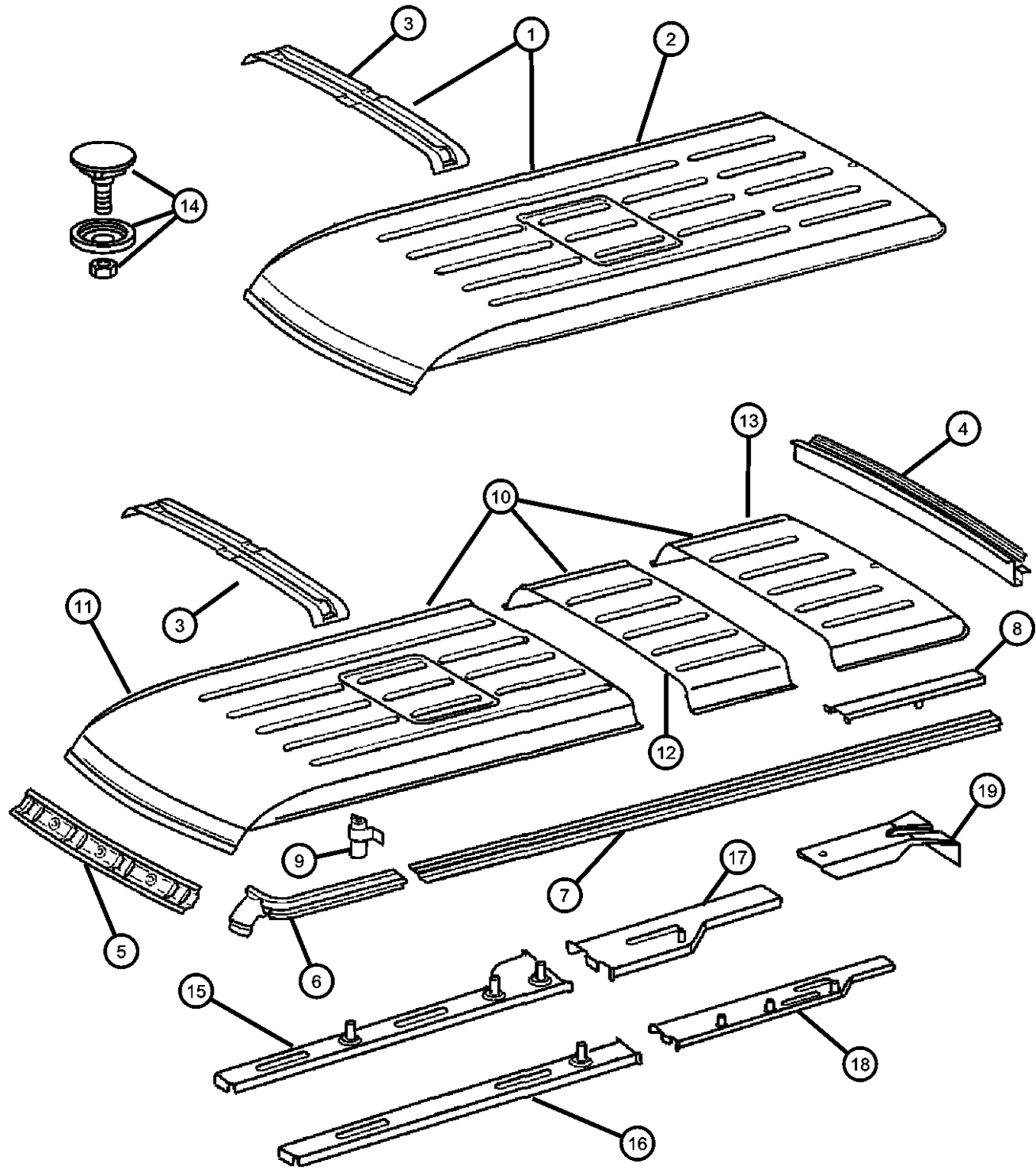


SPRINTER (VA)

SERIES	LINE	BODY	ENGINE	TRANSMISSION
L = LOWLINE	3 = HD DODGE 2WD 8 = HD DODGE 4WD 6 = Lt. Duty DODGE 4WD 2 = Med. Duty DODGE 2WD 7 = Med. Duty DODGE 4WD 4 = TRUCK	01 = CHASSIS FORWARD CONTROL W.B.1 02 = CAB CHASSIS WHEEL BASE 2 06 = CAB CHASSIS WHEEL BASE 6 11 = VAN WHEEL BASE 1 12 = VAN WHEEL BASE 2 51 = WAGON WHEEL BASE 1 52 = WAGON WHEEL BASE 2 14 = VAN WHEEL BASE 4 15 = VAN WHEEL BASE 5 54 = WAGON WHEEL BASE 4 55 = WAGON WHEEL BASE 5 56 = WAGON WHEEL BASE 6 16 = VAN WHEEL BASE 6	EX8 = 2.7L I5 Turbo Diesel Engine EX9 = 2.7L I5 Mercedes-Benz TD Engine	DGJ = 5-Speed Automatic MB Transmission DGZ = 4-Spd. Automatic MT643 Transmission

AR = use ase required - = Non illustrated part

Low Roof Panel
Figure SVA-1110



ITEM	PART NUMBER	QTY	LINE	SERIES	BODY	ENGINE	TRANS	TRIM	DESCRIPTION
1	05134039AA	1	2, 6		11				ROOF [118] Inch Wheel Base
		1	2, 6		51				[118] Inch Wheel Base
2	05122155AA	1	2, 6		11, 14				PANEL, Roof
		1	2, 6		51, 54				
3	05122107AA	3	2, 6		11				BOW, Roof
		4	2, 6		12				
		3	2, 6		51				
		4	2, 6		52				
		4	3, 7		15				
4	05122058AA	1	2, 6		11, 12				RAIL, Roof
		1	2, 6		51, 52				
		1	3, 7		12				
5	05104163AA	1	2, 6		01, 02, 06				SUPPORT, Roof
		1	2, 6		11, 12, 14, 15, 16				
		1	3, 7		02, 06				
		1	3, 7		12, 15, 16				
		1	2, 6		51, 52, 54, 55, 56				
6	05104194AA	1	2, 6		11, 12, 14, 15, 16				RAIL, Roof Side Left
		1	2, 6		51, 52, 54, 55, 56				Left
		1	3, 7		12, 15, 16				Left

SPRINTER (VA)
SERIES
L = LOWLINE

LINE
3 = HD DODGE 2WD
8 = HD DODGE 4WD
6 = Lt. Duty DODGE 4WD
2 = Med. Duty DODGE 2WD
7 = Med. Duty DODGE 4WD
4 = TRUCK

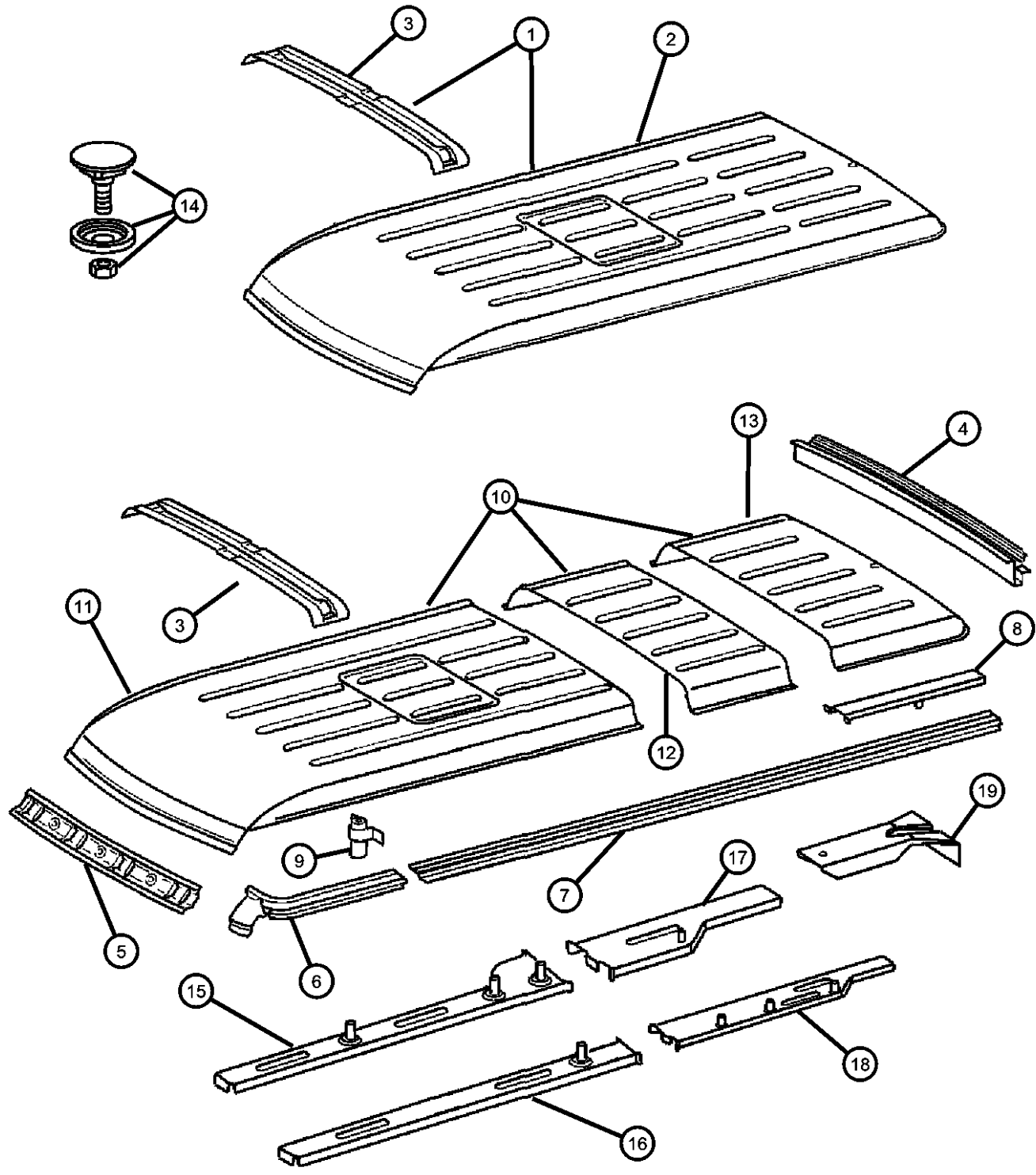
BODY
01 = CHASSIS FORWARD CONTROL W.B.1
02 = CAB CHASSIS WHEEL BASE 2
06 = CAB CHASSIS WHEEL BASE 6
11 = VAN WHEEL BASE 1
12 = VAN WHEEL BASE 2
51 = WAGON WHEEL BASE 1
52 = WAGON WHEEL BASE 2
14 = VAN WHEEL BASE 4
15 = VAN WHEEL BASE 5
54 = WAGON WHEEL BASE 4
55 = WAGON WHEEL BASE 5
56 = WAGON WHEEL BASE 6
16 = VAN WHEEL BASE 6

ENGINE
EX8 = 2.7L I5 Turbo Diesel Engine
EX9 = 2.7L I5 Mercedes-Benz TD Engine

TRANSMISSION
DGJ = 5-Speed Automatic MB Transmission
DGZ = 4-Spd. Automatic MT643 Transmission

AR = use ase required - = Non illustrated part

Low Roof Panel
Figure SVA-1110



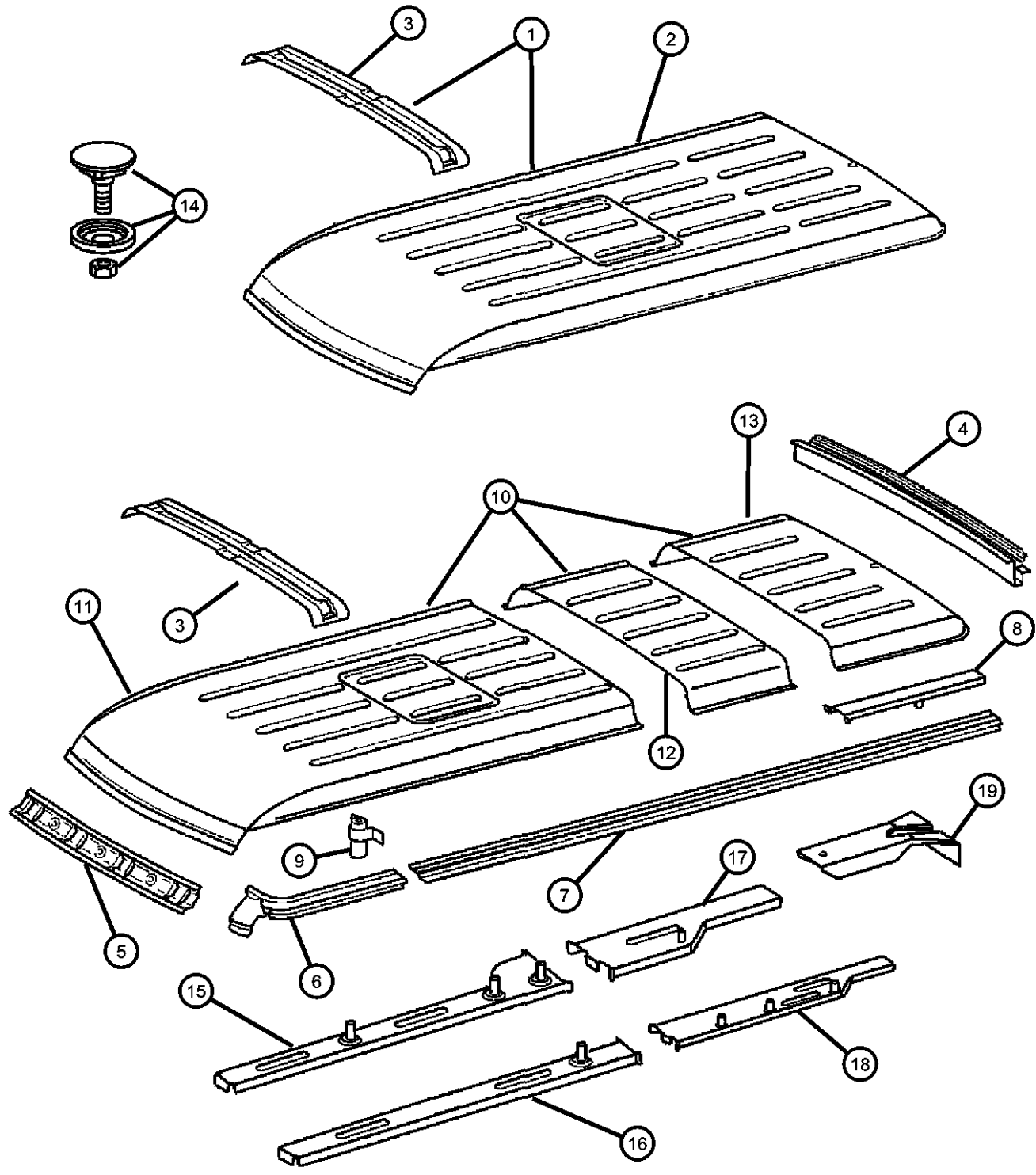
ITEM	PART NUMBER	QTY	LINE	SERIES	BODY	ENGINE	TRANS	TRIM	DESCRIPTION
7	05104196AA	1	2, 6		11, 12, 14, 15, 16				Right
		1	2, 6		51, 52, 54, 55, 56				Right
		1	3, 7		12, 15, 16				Right
7	05104191AA	1	2, 6		16				RAIL, Roof Side
		1	2, 6		56				[158] Inch Wheel Base, Right & Left
		1	3, 7		16				[158] Inch Wheel Base, Right & Left
7	05121827AA	1	2, 6		12, 15				[140] Inch Wheel Base, Right & Left
		1	2, 6		52, 55				[140] Inch Wheel Base, Right & Left
		1	2, 6		11, 14				[118] Inch Wheel Base, Right & Left
7	05121826AA	1	2, 6		11, 14				[118] Inch Wheel Base, Right & Left
		1	2, 6		51, 54				[118] Inch Wheel Base, Right & Left
		1	2, 6						REINFORCEMENT, Roof Panel
8	05131214AA	2	2, 6		12				[140] Inch Wheel Base
		2	2, 6		52				[140] Inch Wheel Base
9	05131213AA	2	2, 6		12				REINFORCEMENT, Roof Panel
		2	2, 6		52				[140] Inch Wheel Base
10	05134036AA	1	2, 6		12				ROOF
		1	2, 6		52				[140] Inch Wheel Base
		1	3, 7		15				[140] Inch Wheel Base
11	05122156AA	1	3, 7		15				PANEL, Roof
		1	3, 7		15				[140] Inch Wheel Base

SPRINTER (VA)

SERIES	LINE	BODY	ENGINE	TRANSMISSION
L = LOWLINE	3 = HD DODGE 2WD 8 = HD DODGE 4WD 6 = Lt. Duty DODGE 4WD 2 = Med. Duty DODGE 2WD 7 = Med. Duty DODGE 4WD 4 = TRUCK	01 = CHASSIS FORWARD CONTROL W.B.1 02 = CAB CHASSIS WHEEL BASE 2 06 = CAB CHASSIS WHEEL BASE 6 11 = VAN WHEEL BASE 1 12 = VAN WHEEL BASE 2 51 = WAGON WHEEL BASE 1 52 = WAGON WHEEL BASE 2 14 = VAN WHEEL BASE 4 15 = VAN WHEEL BASE 5 54 = WAGON WHEEL BASE 4 55 = WAGON WHEEL BASE 5 56 = WAGON WHEEL BASE 6 16 = VAN WHEEL BASE 6	EX8 = 2.7L I5 Turbo Diesel Engine EX9 = 2.7L I5 Mercedes-Benz TD Engine	DGJ = 5-Speed Automatic MB Transmission DGZ = 4-Spd. Automatic MT643 Transmission

AR = use ase required - = Non illustrated part

Low Roof Panel
Figure SVA-1110



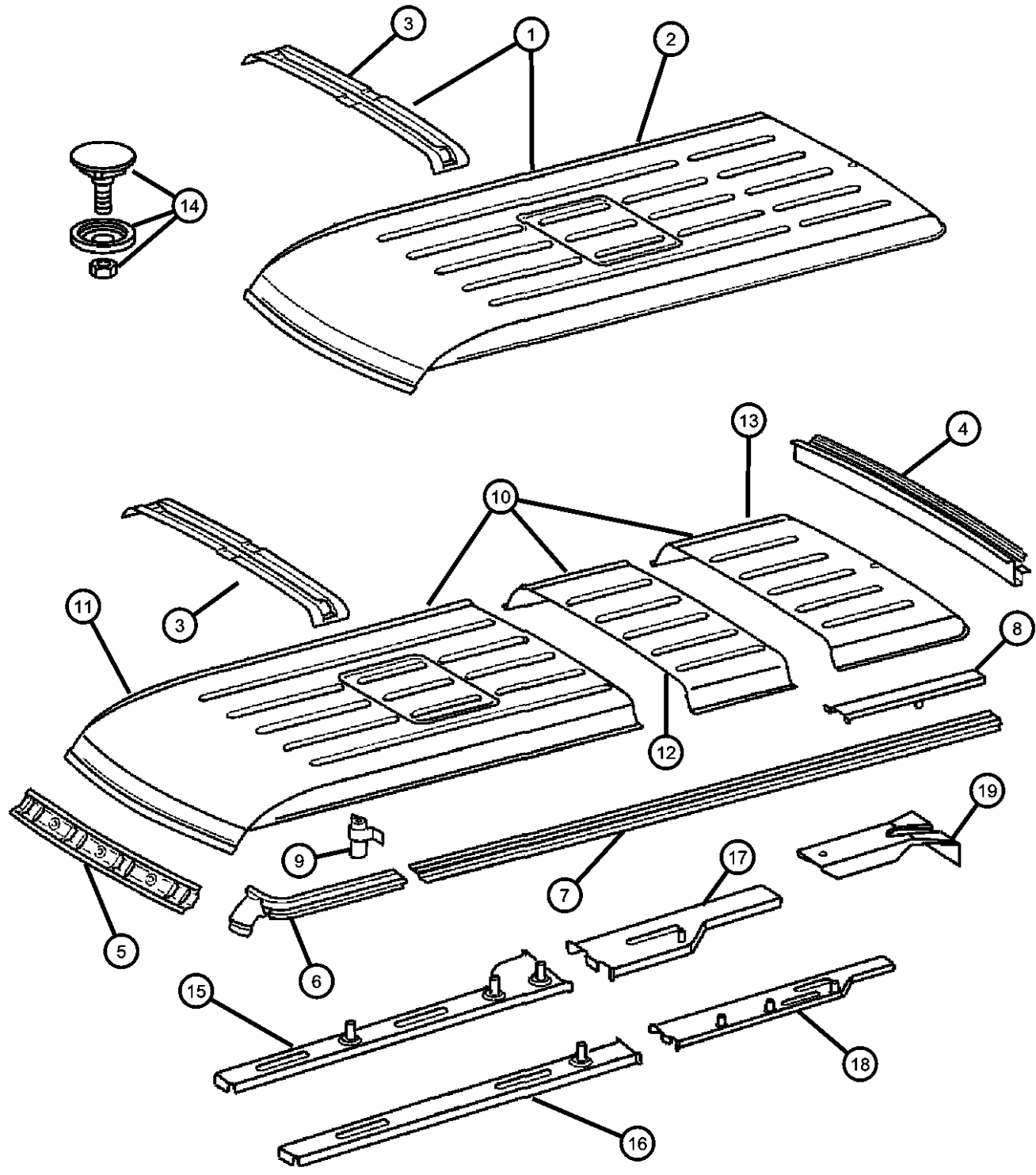
ITEM	PART NUMBER	QTY	LINE	SERIES	BODY	ENGINE	TRANS	TRIM	DESCRIPTION
		1	2, 6		12				[140] Inch Wheel Base
		1	2, 6		52				[140] Inch Wheel Base
12	05122133AA	1	2, 6		12				PANEL, Roof
		1	2, 6		52				[140] Inch Wheel Base
		1	3, 7		15				[140] Inch Wheel Base
13	05122134AA	1	2, 6		12				PANEL, Roof
		1	2, 6		52				[140] Inch Wheel Base
		1	3, 7		15				[140] Inch Wheel Base
14	05124422AA	1	2, 6		11, 12, 14, 15, 16				PANEL, For Sealing Antenna
		1	2, 6		51, 52, 54, 55, 56				
		1	3, 7		02, 06				
		1	3, 7		12, 15, 16				
		1	2, 6		01, 02, 06				
15	05122083AA	1	2, 6		52				BRACKET, Roof
		1	3, 7		15				Right
	05122081AA	1	2, 6		12				Right
		1	2, 6		52				Left
		1	2, 6		52				Left
		1	3, 7		15				Left
		1	2, 6		12				Right
16	05122090AA	1	2, 6		11				BRACKET, Roof, Front Right
		1	2, 6		51				

SPRINTER (VA)

SERIES	LINE	BODY	ENGINE	TRANSMISSION
L = LOWLINE	3 = HD DODGE 2WD 8 = HD DODGE 4WD 6 = Lt. Duty DODGE 4WD 2 = Med. Duty DODGE 2WD 7 = Med. Duty DODGE 4WD 4 = TRUCK	01 = CHASSIS FORWARD CONTROL W.B.1 02 = CAB CHASSIS WHEEL BASE 2 06 = CAB CHASSIS WHEEL BASE 6 11 = VAN WHEEL BASE 1 12 = VAN WHEEL BASE 2 51 = WAGON WHEEL BASE 1 52 = WAGON WHEEL BASE 2 14 = VAN WHEEL BASE 4 15 = VAN WHEEL BASE 5 54 = WAGON WHEEL BASE 4 55 = WAGON WHEEL BASE 5 56 = WAGON WHEEL BASE 6 16 = VAN WHEEL BASE 6	EX8 = 2.7L I5 Turbo Diesel Engine EX9 = 2.7L I5 Mercedes-Benz TD Engine	DGJ = 5-Speed Automatic MB Transmission DGZ = 4-Spd. Automatic MT643 Transmission

AR = use ase required - = Non illustrated part

Low Roof Panel
Figure SVA-1110



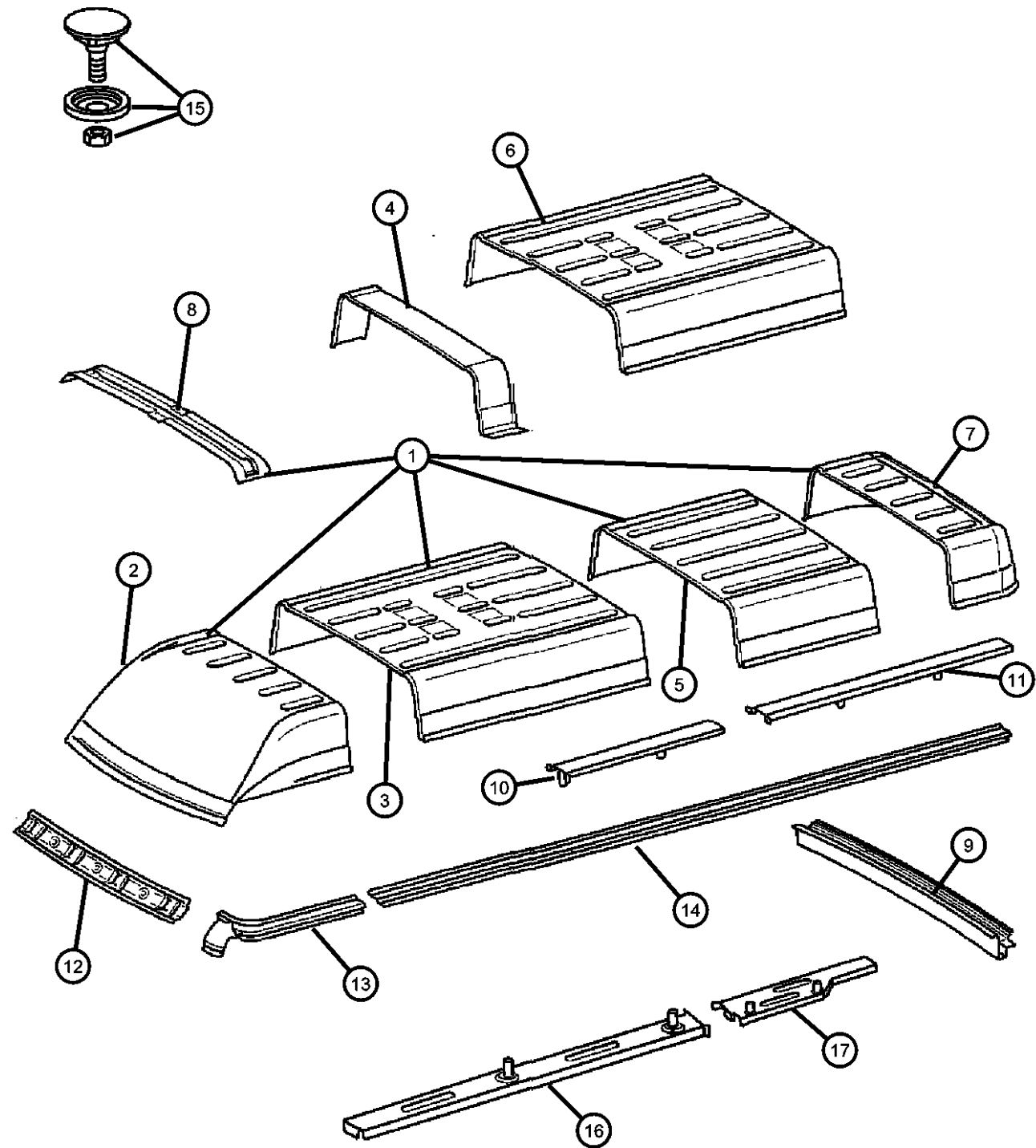
ITEM	PART NUMBER	QTY	LINE	SERIES	BODY	ENGINE	TRANS	TRIM	DESCRIPTION
17									BRACKET, Roof
	05122084AA	1	2, 6		12				Left
		1	2, 6		52				Left
		1	3, 7		15				Left
	05122085AA	1	2, 6		12				Right
		1	2, 6		52				Right
		1	3, 7		15				Right
18									BRACKET, Roof
	05122092AA	1	2, 6		11				Right
		1	2, 6		51				Right
	05122093AA	1	2, 6		11				Left
		1	2, 6		51				Left
19									REINFORCEMENT, Roof Panel
	05122125AA	2	2, 6		11, 12, 14, 15, 16				
		2	2, 6		51, 52, 54, 55, 56				
		2	3, 7		12, 15, 16				

SPRINTER (VA)

SERIES	LINE	BODY	ENGINE	TRANSMISSION
L = LOWLINE	3 = HD DODGE 2WD 8 = HD DODGE 4WD 6 = Lt. Duty DODGE 4WD 2 = Med. Duty DODGE 2WD 7 = Med. Duty DODGE 4WD 4 = TRUCK	01 = CHASSIS FORWARD CONTROL W.B.1 02 = CAB CHASSIS WHEEL BASE 2 06 = CAB CHASSIS WHEEL BASE 6 11 = VAN WHEEL BASE 1 12 = VAN WHEEL BASE 2 51 = WAGON WHEEL BASE 1 52 = WAGON WHEEL BASE 2 14 = VAN WHEEL BASE 4 15 = VAN WHEEL BASE 5 54 = WAGON WHEEL BASE 4 55 = WAGON WHEEL BASE 5 56 = WAGON WHEEL BASE 6 16 = VAN WHEEL BASE 6	EX8 = 2.7L I5 Turbo Diesel Engine EX9 = 2.7L I5 Mercedes-Benz TD Engine	DGJ = 5-Speed Automatic MB Transmission DGZ = 4-Spd. Automatic MT643 Transmission

AR = use ase required - = Non illustrated part

High Roof Panel
Figure SVA-1120



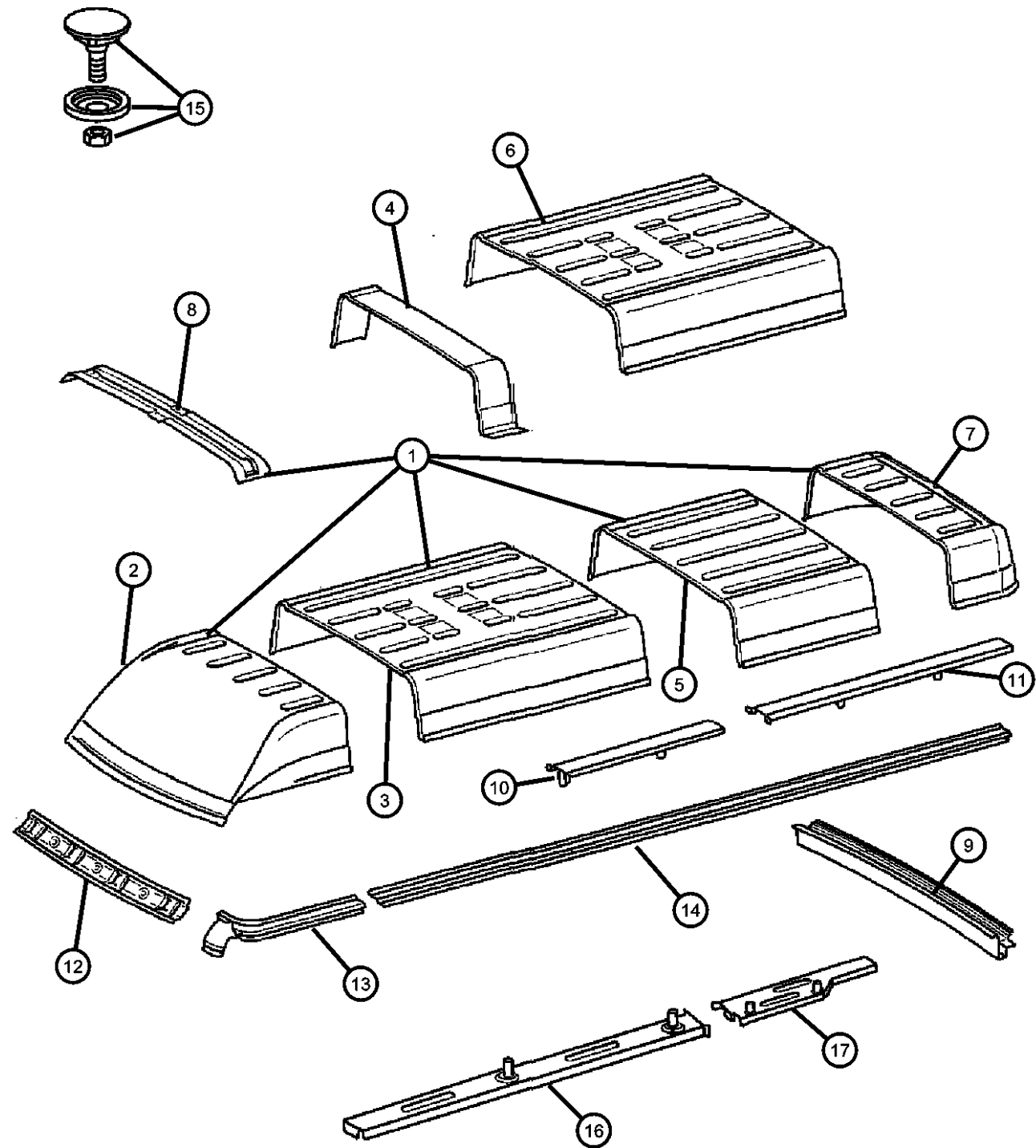
ITEM	PART NUMBER	QTY	LINE	SERIES	BODY	ENGINE	TRANS	TRIM	DESCRIPTION
1									ROOF
	05104228AA	1	2, 6		12				[140] Inch Wheel Base
		1	2, 6		52				[140] Inch Wheel Base
		1	3, 7		15				[140] Inch Wheel Base
	05134037AA	1	2, 6		16				[158] Inch Wheel Base
		1	2, 6		56				[158] Inch Wheel Base
		1	3, 7		16				[158] Inch Wheel Base
	05134038AA	1	2, 6		11				[118] Inch Wheel Base
		1	2, 6		51				[118] Inch Wheel Base
2									PANEL, Roof
	05104233AA	1	2, 6		14, 15, 16				
		1	2, 6		11, 12, 16				
		1	2, 6		54, 55, 56				
		1	2, 6		51, 52, 56				
		1	3, 7		15, 16				
3									PANEL, Roof
	05122143AA	1	2, 6		16				
		1	2, 6		54, 55, 56				
		1	2, 6		56				
		1	3, 7		15, 16				
		1	2, 6		11, 12, 16				
		1	3, 7		16				
4									EXTENSION, Roof Bow
	05131242AA	1	2, 6		14				
		1	2, 6		54				
5									PANEL, Roof
	05122144AA	1	3, 7		15				[140] Inch Wheel Base
		1	2, 6		12				[140] Inch Wheel Base

SPRINTER (VA)

SERIES	LINE	BODY	ENGINE	TRANSMISSION
L = LOWLINE	3 = HD DODGE 2WD 8 = HD DODGE 4WD 6 = Lt. Duty DODGE 4WD 2 = Med. Duty DODGE 2WD 7 = Med. Duty DODGE 4WD 4 = TRUCK	01 = CHASSIS FORWARD CONTROL W.B.1 02 = CAB CHASSIS WHEEL BASE 2 06 = CAB CHASSIS WHEEL BASE 6 11 = VAN WHEEL BASE 1 12 = VAN WHEEL BASE 2 51 = WAGON WHEEL BASE 1 52 = WAGON WHEEL BASE 2 14 = VAN WHEEL BASE 4 15 = VAN WHEEL BASE 5 54 = WAGON WHEEL BASE 4 55 = WAGON WHEEL BASE 5 56 = WAGON WHEEL BASE 6 16 = VAN WHEEL BASE 6	EX8 = 2.7L I5 Turbo Diesel Engine EX9 = 2.7L I5 Mercedes-Benz TD Engine	DGJ = 5-Speed Automatic MB Transmission DGZ = 4-Spd. Automatic MT643 Transmission

AR = use ase required - = Non illustrated part

High Roof Panel
Figure SVA-1120



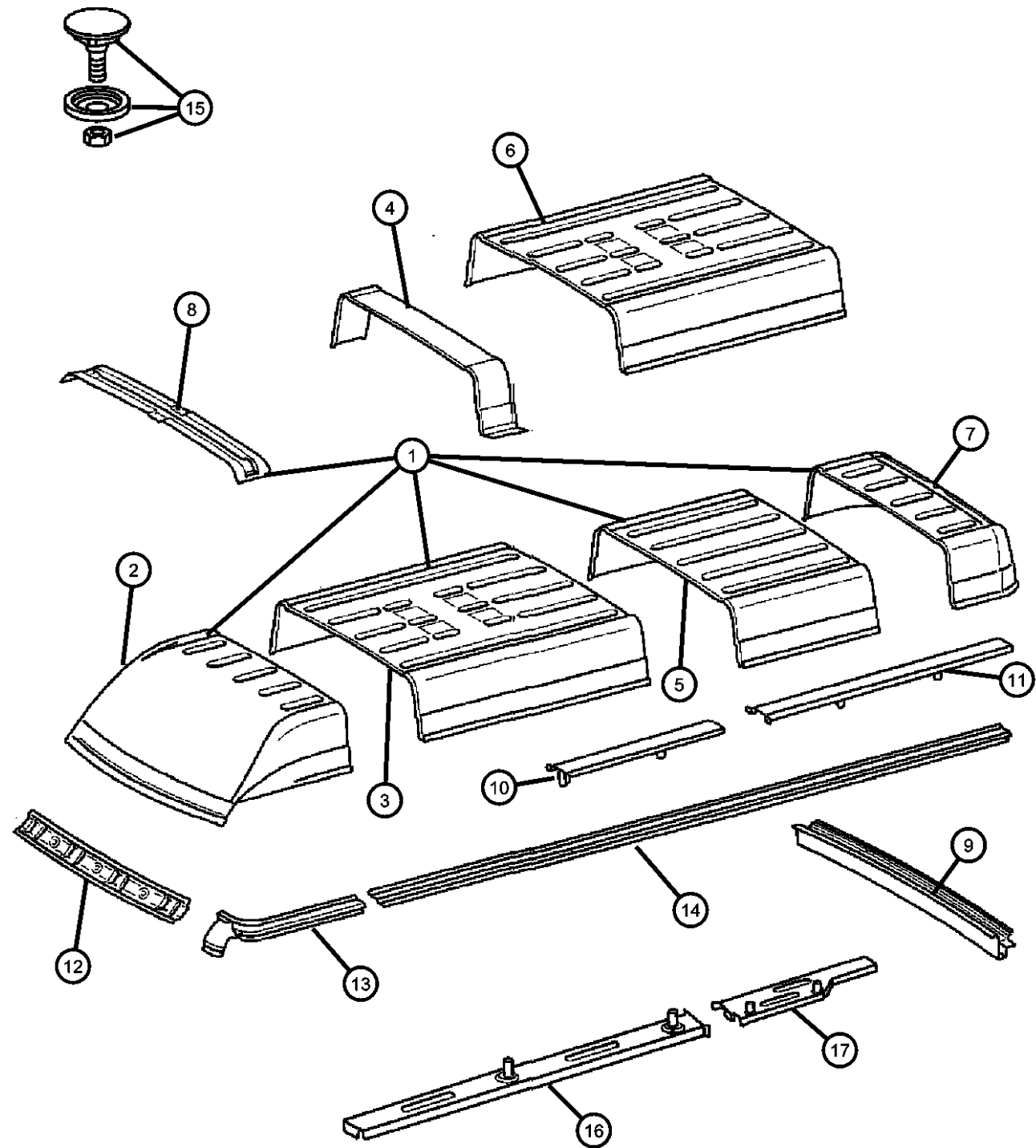
ITEM	PART NUMBER	QTY	LINE	SERIES	BODY	ENGINE	TRANS	TRIM	DESCRIPTION
		1	2, 6		52				[140] Inch Wheel Base
6									PANEL, Roof
	05104232AA	1	2, 6		11, 12, 16				[158] Inch Wheel Base, With Electric Fan
		1	3, 7		15, 16				[158] Inch Wheel Base, With Electric Fan
	05122143AA	1	2, 6		11, 12, 16				[140 & 158] Inch Wheel Base
		1	2, 6		54, 55, 56				[140 & 158] Inch Wheel Base
		1	3, 7		15, 16				[140 & 158] Inch Wheel Base
7									PANEL, Roof
	05104231AA	1	2, 6		12, 16				
		1	2, 6		52, 56				
		1	3, 7		15, 16				
8									BOW, Roof
	05104227AA	1	2, 6		14, 15, 16				[140 & 158] Inch Wheel Base
		1	2, 6		54, 55, 56				[140 & 158] Inch Wheel Base
		1	3, 7		15, 16				[140 & 158] Inch Wheel Base
	05104229AA	2	2, 6		11				With Electric Fan
		3	2, 6		12				With Electric Fan
		4	2, 6		16				With Electric Fan
		2	2, 6		51				With Electric Fan
		3	2, 6		52				With Electric Fan
		4	2, 6		56				With Electric Fan
		3	3, 7		15				With Electric Fan
		4	3, 7		16				With Electric Fan
	05122107AA	3	2, 6		11				[118] Inch Wheel Base
		4	2, 6		12				[118] Inch Wheel Base
		3	2, 6		51				[118] Inch Wheel Base

SPRINTER (VA)

SERIES	LINE	BODY	ENGINE	TRANSMISSION
L = LOWLINE	3 = HD DODGE 2WD 8 = HD DODGE 4WD 6 = Lt. Duty DODGE 4WD 2 = Med. Duty DODGE 2WD 7 = Med. Duty DODGE 4WD 4 = TRUCK	01 = CHASSIS FORWARD CONTROL W.B.1 02 = CAB CHASSIS WHEEL BASE 2 06 = CAB CHASSIS WHEEL BASE 6 11 = VAN WHEEL BASE 1 12 = VAN WHEEL BASE 2 51 = WAGON WHEEL BASE 1 52 = WAGON WHEEL BASE 2 14 = VAN WHEEL BASE 4 15 = VAN WHEEL BASE 5 54 = WAGON WHEEL BASE 4 55 = WAGON WHEEL BASE 5 56 = WAGON WHEEL BASE 6 16 = VAN WHEEL BASE 6	EX8 = 2.7L I5 Turbo Diesel Engine EX9 = 2.7L I5 Mercedes-Benz TD Engine	DGJ = 5-Speed Automatic MB Transmission DGZ = 4-Spd. Automatic MT643 Transmission

AR = use ase required - = Non illustrated part

High Roof Panel
Figure SVA-1120



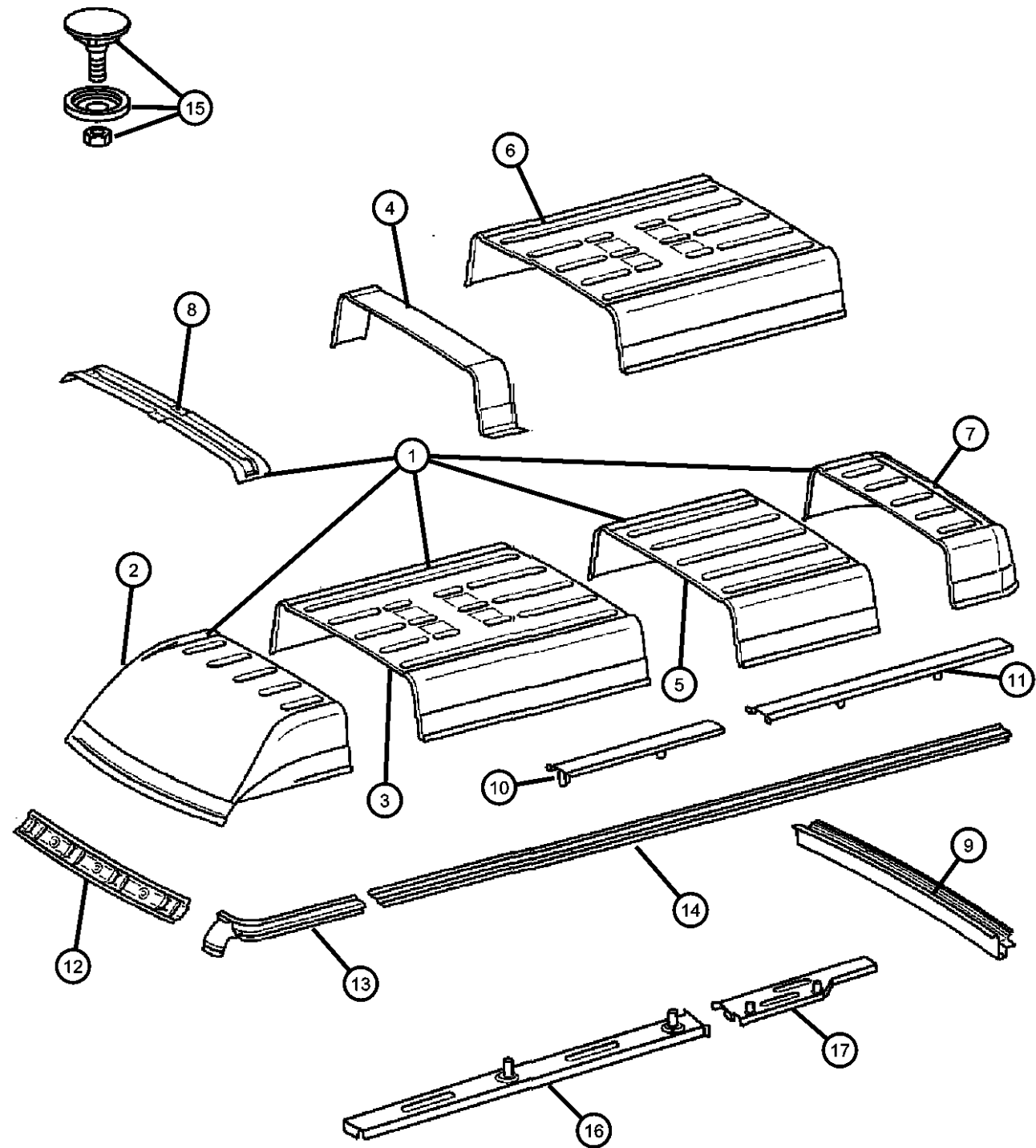
ITEM	PART NUMBER	QTY	LINE	SERIES	BODY	ENGINE	TRANS	TRIM	DESCRIPTION
		4	2, 6		52				[118] Inch Wheel Base
		4	3, 7		15				[118] Inch Wheel Base
9									BOW, Roof
	05104226AA	1	2, 6		14, 15, 16				
		1	2, 6		54, 55, 56				
10									REINFORCEMENT, Roof Panel
	05131215AA	2	2, 6		15				
		2	2, 6		55				
11									REINFORCEMENT, Roof Panel
	05131216AA	2	2, 6		11				
		2	2, 6		51				
12									SUPPORT, Roof
	05104163AA	1	2, 6		01, 02, 06				
		1	2, 6		11, 12, 14, 15, 16				
		1	2, 6		51, 52, 54, 55, 56				
		1	3, 7		02, 06				
		1	3, 7		12, 15, 16				
13									RAIL, Roof Side
	05104194AA	1	2, 6		11, 12, 14, 15, 16				Left
		1	2, 6		51, 52, 54, 55, 56				Left
		1	3, 7		12, 15, 16				Left
	05104196AA	1	2, 6		11, 12, 14, 15, 16				Right
		1	2, 6		51, 52, 54, 55, 56				Right
		1	3, 7		12, 15, 16				Right
14									RAIL, Roof Side

SPRINTER (VA)

SERIES	LINE	BODY	ENGINE	TRANSMISSION
L = LOWLINE	3 = HD DODGE 2WD 8 = HD DODGE 4WD 6 = Lt. Duty DODGE 4WD 2 = Med. Duty DODGE 2WD 7 = Med. Duty DODGE 4WD 4 = TRUCK	01 = CHASSIS FORWARD CONTROL W.B.1 02 = CAB CHASSIS WHEEL BASE 2 06 = CAB CHASSIS WHEEL BASE 6 11 = VAN WHEEL BASE 1 12 = VAN WHEEL BASE 2 51 = WAGON WHEEL BASE 1 52 = WAGON WHEEL BASE 2 14 = VAN WHEEL BASE 4 15 = VAN WHEEL BASE 5 54 = WAGON WHEEL BASE 4 55 = WAGON WHEEL BASE 5 56 = WAGON WHEEL BASE 6 16 = VAN WHEEL BASE 6	EX8 = 2.7L I5 Turbo Diesel Engine EX9 = 2.7L I5 Mercedes-Benz TD Engine	DGJ = 5-Speed Automatic MB Transmission DGZ = 4-Spd. Automatic MT643 Transmission

AR = use ase required - = Non illustrated part

High Roof Panel
Figure SVA-1120



ITEM	PART NUMBER	QTY	LINE	SERIES	BODY	ENGINE	TRANS	TRIM	DESCRIPTION
	05104191AA	1	2, 6		16				[158] Inch wheel Base
		1	2, 6		56				[158] Inch wheel Base
		1	3, 7		16				[158] Inch wheel Base
	05121827AA	1	2, 6		12, 15				[140] Inch Wheel Base
		1	2, 6		52, 55				[140] Inch Wheel Base
		1	3, 7		12, 15				[140] Inch Wheel Base
15	05124422AA	1	2, 6		01, 02, 06				PANEL, For Sealing Antenna
		1	2, 6		11, 12, 14, 15, 16				
		1	2, 6		51, 52, 54, 55, 56				
		1	3, 7		02, 06				
		1	3, 7		12, 15, 16				
16	05122086AA	1	2, 6		15				BRACKET, Roof
		1	2, 6		55				
		1	3, 7		15				
17	05122088AA	1	3, 7		15				BRACKET, Roof
		1	2, 6		15				Left Rear
	05122089AA	1	2, 6		15				Right Rear
		1	2, 6		55				Right Rear
		1	3, 7		15				Right Rear
		1	2, 6		15				Left Rear
		1	2, 6		55				Left Rear

SPRINTER (VA)

SERIES
L = LOWLINE

LINE

3 = HD DODGE 2WD
8 = HD DODGE 4WD
6 = Lt. Duty DODGE 4WD
2 = Med. Duty DODGE 2WD
7 = Med. Duty DODGE 4WD
4 = TRUCK

BODY

01 = CHASSIS FORWARD CONTROL W.B.1
02 = CAB CHASSIS WHEEL BASE 2
06 = CAB CHASSIS WHEEL BASE 6
11 = VAN WHEEL BASE 1
12 = VAN WHEEL BASE 2
51 = WAGON WHEEL BASE 1
52 = WAGON WHEEL BASE 2
14 = VAN WHEEL BASE 4
15 = VAN WHEEL BASE 5
54 = WAGON WHEEL BASE 4
55 = WAGON WHEEL BASE 5
56 = WAGON WHEEL BASE 6
16 = VAN WHEEL BASE 6

ENGINE

EX8 = 2.7L I5 Turbo Diesel Engine
EX9 = 2.7L I5 Mercedes-Benz TD Engine

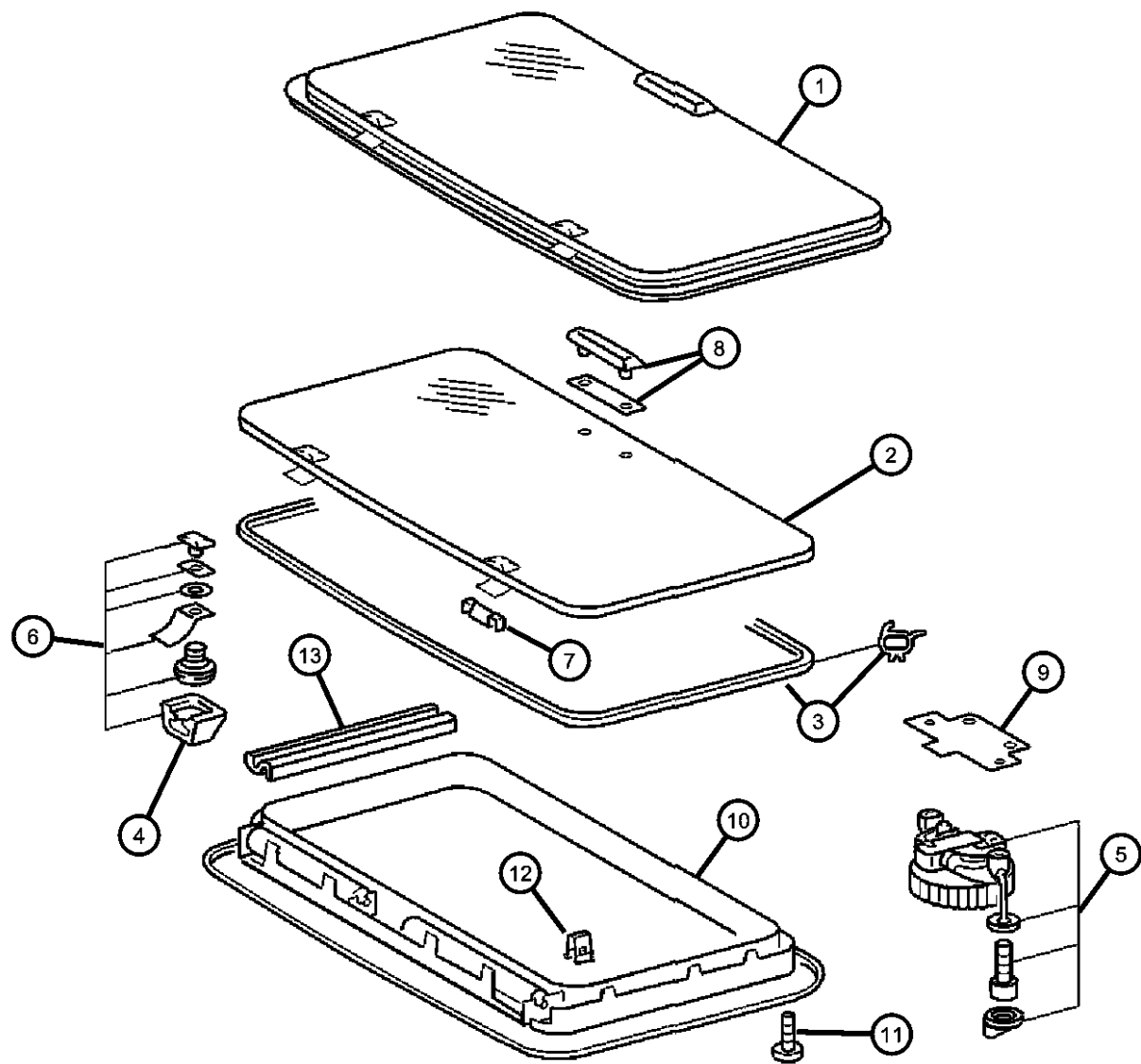
TRANSMISSION

DGJ = 5-Speed Automatic MB Transmission
DGZ = 4-Spd. Automatic MT643 Transmission

AR = use ase required - = Non illustrated part

2006 VA

Manual Sunroof
Figure SVA-1210



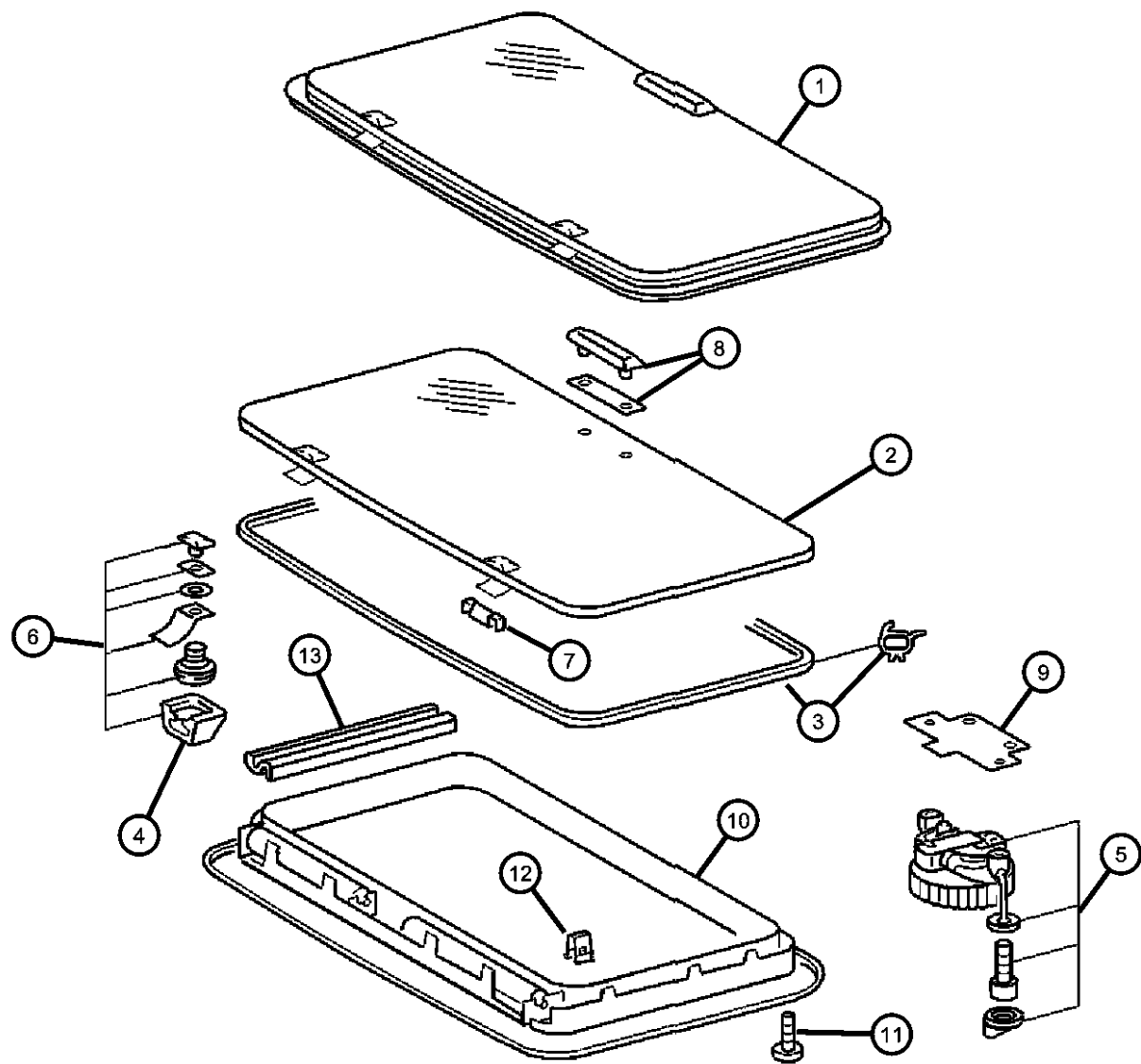
ITEM	PART NUMBER	QTY	LINE	SERIES	BODY	ENGINE	TRANS	TRIM	DESCRIPTION
1									SUNROOF, Complete
	05104476AA	1	2, 6		01, 02, 06				
		1	2, 6		11, 12, 14, 15, 16				
		1	2, 6		51, 52, 54, 55, 56				
		1	3, 7		02, 06				
		1	3, 7		12, 15, 16				
2									GLASS, Sunroof
	05134005AA	1	2, 6		01, 02, 06				
		1	2, 6		11, 12, 14, 15, 16				
		1	3, 7		12, 15, 16				
		1	2, 6		51, 52, 54, 55, 56				
		1	3, 7		02, 06				
3									SEAL, Sunroof
	05134006AA	1	2, 6		01, 02, 06				
		1	2, 6		11, 12, 14, 15, 16				
		1	2, 6		51, 52, 54, 55, 56				
		1	3, 7		02, 06				
		1	3, 7		12, 15, 16				
4									COVER, Hinge
	05134007AA	1	2, 6		51, 52, 54, 55, 56				
		1	3, 7		02, 06				
		1	3, 7		12, 15, 16				
		1	2, 6		01, 02, 06				
		1	2, 6		11, 12, 14, 15, 16				

SPRINTER (VA)

SERIES	LINE	BODY	ENGINE	TRANSMISSION
L = LOWLINE	3 = HD DODGE 2WD 8 = HD DODGE 4WD 6 = Lt. Duty DODGE 4WD 2 = Med. Duty DODGE 2WD 7 = Med. Duty DODGE 4WD 4 = TRUCK	01 = CHASSIS FORWARD CONTROL W.B.1 02 = CAB CHASSIS WHEEL BASE 2 06 = CAB CHASSIS WHEEL BASE 6 11 = VAN WHEEL BASE 1 12 = VAN WHEEL BASE 2 51 = WAGON WHEEL BASE 1 52 = WAGON WHEEL BASE 2 14 = VAN WHEEL BASE 4 15 = VAN WHEEL BASE 5 54 = WAGON WHEEL BASE 4 55 = WAGON WHEEL BASE 5 56 = WAGON WHEEL BASE 6 16 = VAN WHEEL BASE 6	EX8 = 2.7L I5 Turbo Diesel Engine EX9 = 2.7L I5 Mercedes-Benz TD Engine	DGJ = 5-Speed Automatic MB Transmission DGZ = 4-Spd. Automatic MT643 Transmission

AR = use ase required - = Non illustrated part

Manual Sunroof
Figure SVA-1210



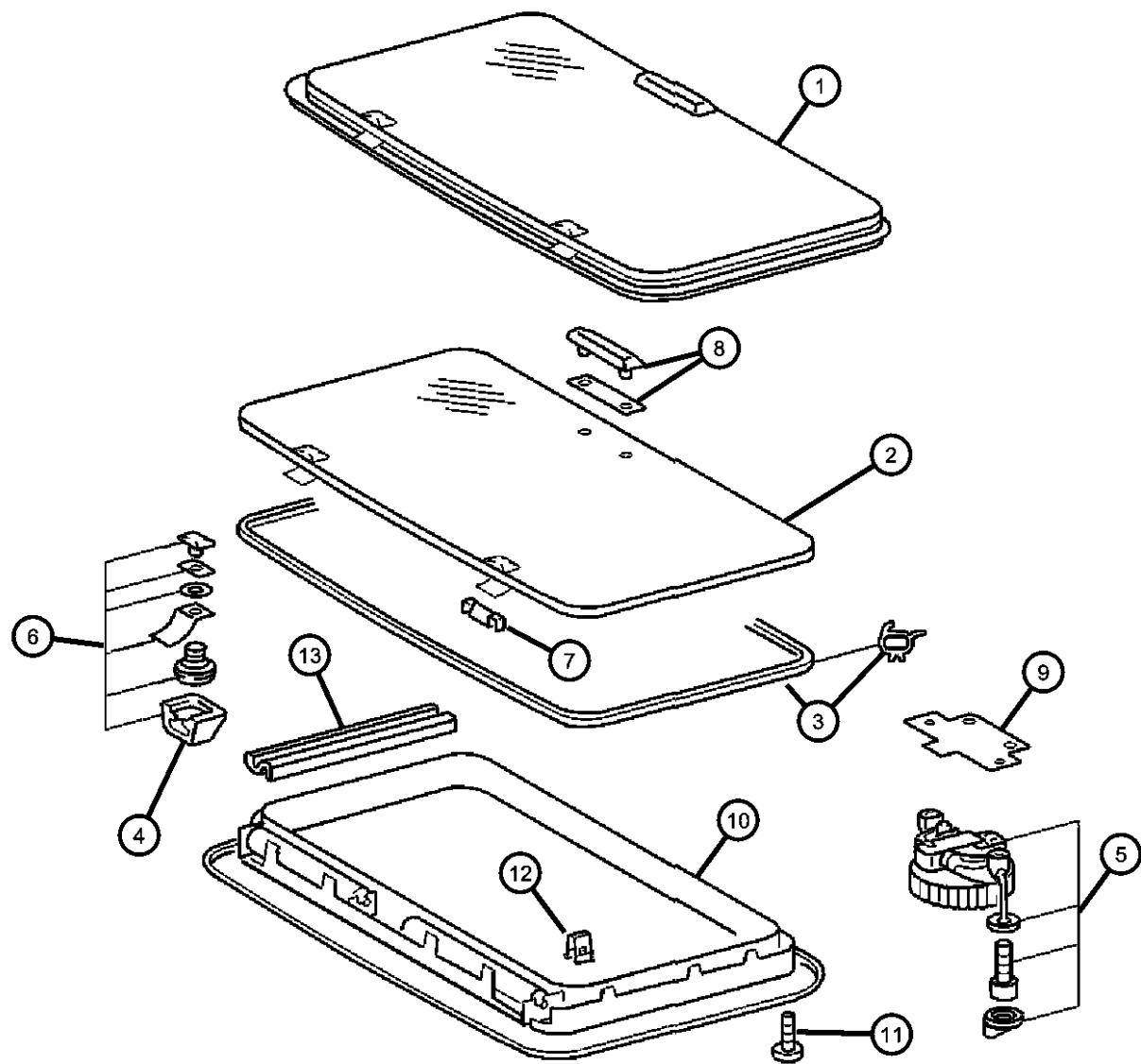
ITEM	PART NUMBER	QTY	LINE	SERIES	BODY	ENGINE	TRANS	TRIM	DESCRIPTION
5	05134008AA	1	2, 6		01, 02, 06				HANDLE, Sunroof
		1	2, 6		11, 12, 14, 15, 16				
		1	2, 6		51, 52, 54, 55, 56				
		1	3, 7		02, 06				
		1	3, 7		12, 15, 16				
6	05134009AA	1	2, 6		01, 02, 06				HINGE, Sunroof
		1	2, 6		11, 12, 14, 15, 16				
		1	2, 6		51, 52, 54, 55, 56				
		1	3, 7		02, 06				
		1	3, 7		12, 15, 16				
7	05134010AA	1	2, 6		01, 02, 06				HINGE, Sunroof
		1	2, 6		11, 12, 14, 15, 16				
		1	2, 6		51, 52, 54, 55, 56				
		1	3, 7		02, 06				
		1	3, 7		12, 15, 16				
8	05134012AA	1	2, 6		01, 02, 06				PLATE, Sunroof
		1	2, 6		11, 12, 14, 15, 16				
		1	2, 6		51, 52, 54, 55, 56				
		1	3, 7		02, 06				
		1	3, 7		12, 15, 16				

SPRINTER (VA)

SERIES	LINE	BODY	ENGINE	TRANSMISSION
L = LOWLINE	3 = HD DODGE 2WD 8 = HD DODGE 4WD 6 = Lt. Duty DODGE 4WD 2 = Med. Duty DODGE 2WD 7 = Med. Duty DODGE 4WD 4 = TRUCK	01 = CHASSIS FORWARD CONTROL W.B.1 02 = CAB CHASSIS WHEEL BASE 2 06 = CAB CHASSIS WHEEL BASE 6 11 = VAN WHEEL BASE 1 12 = VAN WHEEL BASE 2 51 = WAGON WHEEL BASE 1 52 = WAGON WHEEL BASE 2 14 = VAN WHEEL BASE 4 15 = VAN WHEEL BASE 5 54 = WAGON WHEEL BASE 4 55 = WAGON WHEEL BASE 5 56 = WAGON WHEEL BASE 6 16 = VAN WHEEL BASE 6	EX8 = 2.7L I5 Turbo Diesel Engine EX9 = 2.7L I5 Mercedes-Benz TD Engine	DGJ = 5-Speed Automatic MB Transmission DGZ = 4-Spd. Automatic MT643 Transmission

AR = use ase required - = Non illustrated part

Manual Sunroof
Figure SVA-1210



ITEM	PART NUMBER	QTY	LINE	SERIES	BODY	ENGINE	TRANS	TRIM	DESCRIPTION
9	05134011AA	1	2, 6		01, 02, 06				PLATE, Sunroof
		1	2, 6		11, 12, 14, 15, 16				
		1	2, 6		51, 52, 54, 55, 56				
		1	3, 7		02, 06				
		1	3, 7		12, 15, 16				
10	05124714AA	1	2, 6		01, 02, 06				FRAME, Sunroof
		1	3, 7		02, 06				
		1	3, 7		12, 15, 16				
	05124715AA	1	2, 6		01, 02, 06				Without Double Shade
		1	2, 6		11, 12, 14, 15, 16				Without Double Shade
		1	2, 6		51, 52, 54, 55, 56				Without Double Shade
		1	3, 7		02, 06				Without Double Shade
		1	3, 7		12, 15, 16				Without Double Shade
		1	2, 6		11, 12, 14, 15, 16				
		1	2, 6		51, 52, 54, 55, 56				
11	05126276AA	24	2, 6		01, 02, 06				SCREW
		24	2, 6		11, 12, 14, 15				
		24	2, 6		16				
		24	2, 6		51, 52, 54, 55				
		24	2, 6		56				
		24	3, 7		02, 06				

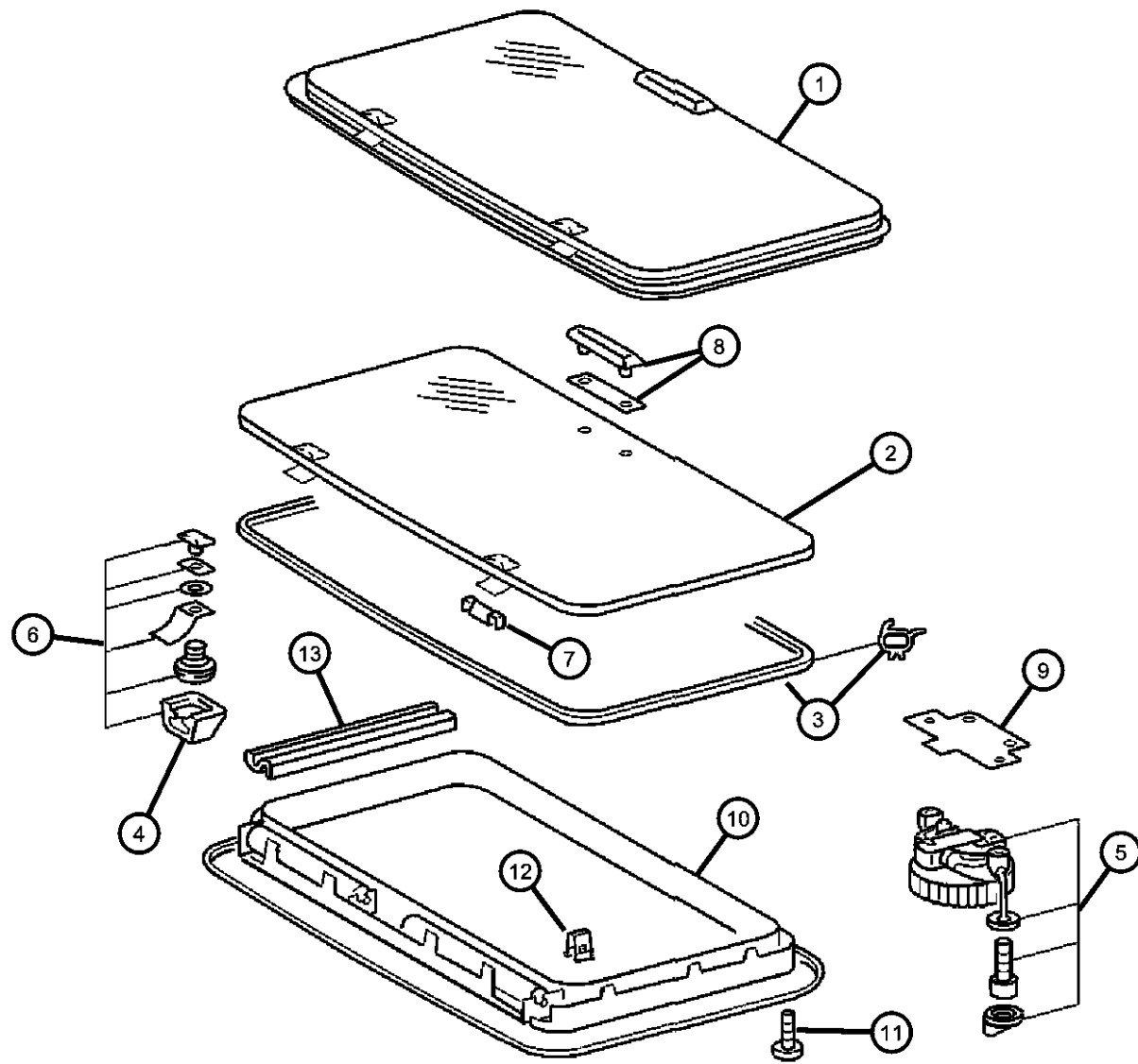
SPRINTER (VA)

SERIES	LINE	BODY	ENGINE	TRANSMISSION
L = LOWLINE	3 = HD DODGE 2WD 8 = HD DODGE 4WD 6 = Lt. Duty DODGE 4WD 2 = Med. Duty DODGE 2WD 7 = Med. Duty DODGE 4WD 4 = TRUCK	01 = CHASSIS FORWARD CONTROL W.B.1 02 = CAB CHASSIS WHEEL BASE 2 06 = CAB CHASSIS WHEEL BASE 6 11 = VAN WHEEL BASE 1 12 = VAN WHEEL BASE 2 51 = WAGON WHEEL BASE 1 52 = WAGON WHEEL BASE 2 14 = VAN WHEEL BASE 4 15 = VAN WHEEL BASE 5 54 = WAGON WHEEL BASE 4 55 = WAGON WHEEL BASE 5 56 = WAGON WHEEL BASE 6 16 = VAN WHEEL BASE 6	EX8 = 2.7L I5 Turbo Diesel Engine EX9 = 2.7L I5 Mercedes-Benz TD Engine	DGJ = 5-Speed Automatic MB Transmission DGZ = 4-Spd. Automatic MT643 Transmission

AR = use ase required - = Non illustrated part

Manual Sunroof
Figure SVA-1210

ITEM	PART NUMBER	QTY	LINE	SERIES	BODY	ENGINE	TRANS	TRIM	DESCRIPTION
------	-------------	-----	------	--------	------	--------	-------	------	-------------



		24	3, 7		16				
		24	3, 7		12, 15				
12	05125572AA	14	3, 7		12, 15, 16				CLIP, Sunroof
		14	2, 6		01, 02, 06				
		14	2, 6		11, 12, 14, 15, 16				
		14	2, 6		51, 52, 54, 55, 56				
		14	3, 7		02, 06				
13	05104495AA	2	2, 6		01, 02, 06				SUPPORT
		2	2, 6		11, 12, 14, 15, 16				
		2	2, 6		51, 52, 54, 55, 56				
		2	3, 7		02, 06				
		2	3, 7		12, 15, 16				

SPRINTER (VA)

SERIES

L = LOWLINE

LINE

3 = HD DODGE 2WD
8 = HD DODGE 4WD
6 = Lt. Duty DODGE 4WD
2 = Med. Duty DODGE 2WD
7 = Med. Duty DODGE 4WD
4 = TRUCK

BODY

01 = CHASSIS FORWARD CONTROL W.B.1
02 = CAB CHASSIS WHEEL BASE 2
06 = CAB CHASSIS WHEEL BASE 6
11 = VAN WHEEL BASE 1
12 = VAN WHEEL BASE 2
51 = WAGON WHEEL BASE 1
52 = WAGON WHEEL BASE 2
14 = VAN WHEEL BASE 4
15 = VAN WHEEL BASE 5
54 = WAGON WHEEL BASE 4
55 = WAGON WHEEL BASE 5
56 = WAGON WHEEL BASE 6
16 = VAN WHEEL BASE 6

ENGINE

EX8 = 2.7L I5 Turbo Diesel Engine
EX9 = 2.7L I5 Mercedes-Benz TD Engine

TRANSMISSION

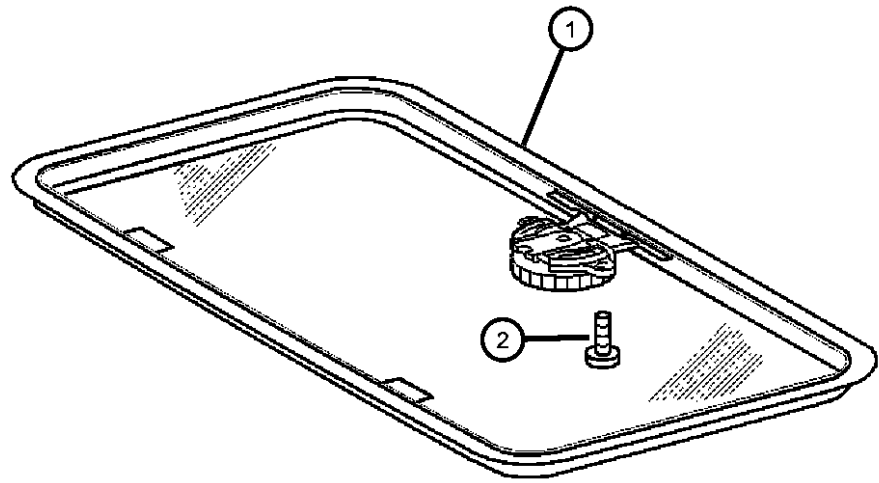
DGJ = 5-Speed Automatic MB Transmission
DGZ = 4-Spd. Automatic MT643 Transmission

AR = use ase required - = Non illustrated part

2006 VA

**Fixed Sunroof
Figure SVA-1220**

ITEM	PART NUMBER	QTY	LINE	SERIES	BODY	ENGINE	TRANS	TRIM	DESCRIPTION
1									GLASS, Sunroof
	05104480AA	1	2, 6		11, 12, 14, 15				
		2	2, 6		16				
		1	2, 6		51, 52, 54, 55				
		2	2, 6		56				
		1	3, 7		12, 15				
		2	3, 7		16				
2									SCREW
	05126276AA	24	2, 6		11, 12, 14, 15				
		48	2, 6		16				
		24	2, 6		51, 52, 54, 55				
		48	2, 6		56				
		48	3, 7		16				
		24	3, 7		12, 15				



SPRINTER (VA)

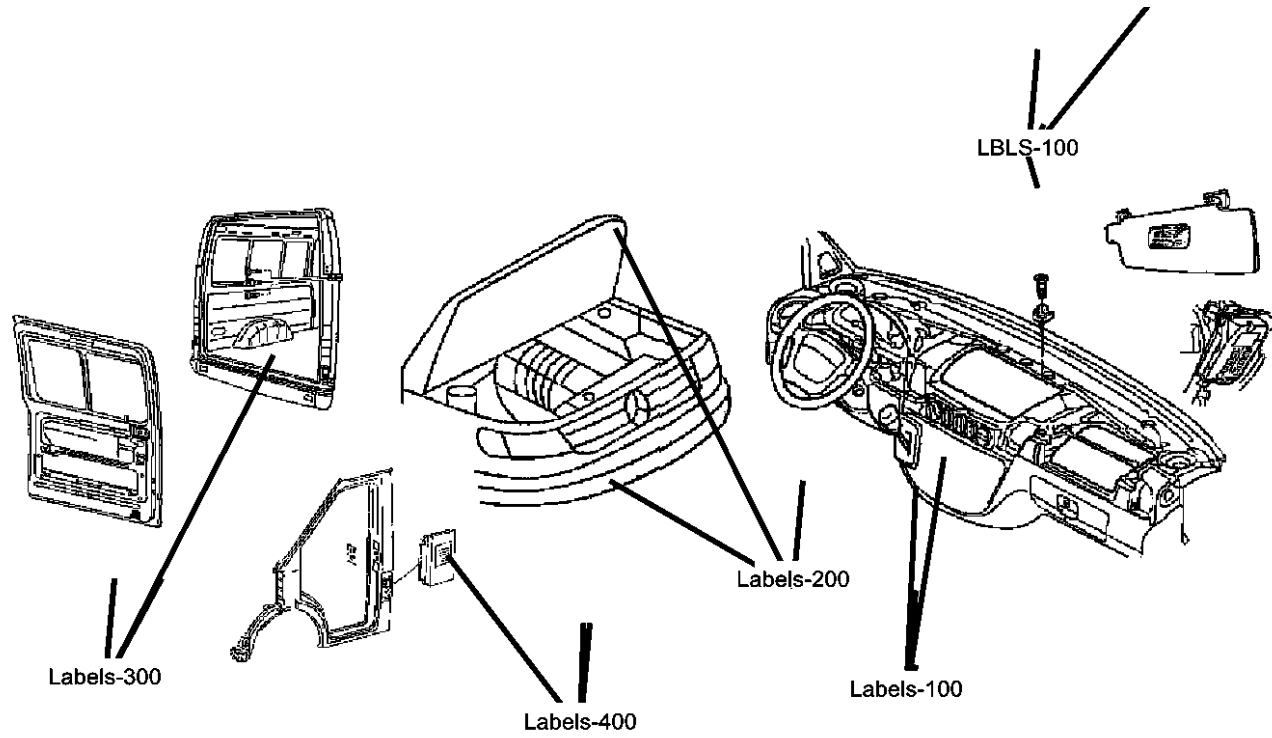
SERIES	LINE	BODY	ENGINE	TRANSMISSION
L = LOWLINE	3 = HD DODGE 2WD 8 = HD DODGE 4WD 6 = Lt. Duty DODGE 4WD 2 = Med. Duty DODGE 2WD 7 = Med. Duty DODGE 4WD 4 = TRUCK	01 = CHASSIS FORWARD CONTROL W.B.1 02 = CAB CHASSIS WHEEL BASE 2 06 = CAB CHASSIS WHEEL BASE 6 11 = VAN WHEEL BASE 1 12 = VAN WHEEL BASE 2 51 = WAGON WHEEL BASE 1 52 = WAGON WHEEL BASE 2 14 = VAN WHEEL BASE 4 15 = VAN WHEEL BASE 5 54 = WAGON WHEEL BASE 4 55 = WAGON WHEEL BASE 5 56 = WAGON WHEEL BASE 6 16 = VAN WHEEL BASE 6	EX8 = 2.7L I5 Turbo Diesel Engine EX9 = 2.7L I5 Mercedes-Benz TD Engine	DGJ = 5-Speed Automatic MB Transmission DGZ = 4-Spd. Automatic MT643 Transmission

AR = use ase required - = Non illustrated part

2006 VA

Group - LBLS

Labels All Vehicle Locations



Group - LBLS Labels All Vehicle Locations

Illustration Title

Group-Fig. No.

Interior

Instrument Panel / Visors & Interior Fig. LBLS - 105

Under Hood

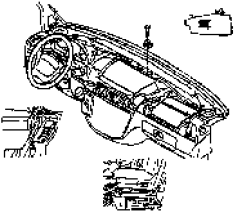
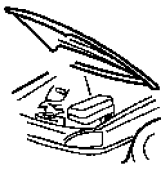
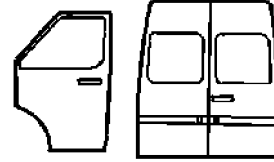
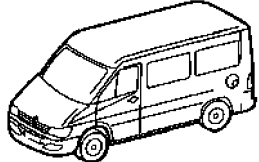
Engine Compartment Fig. LBLS - 205

Doors

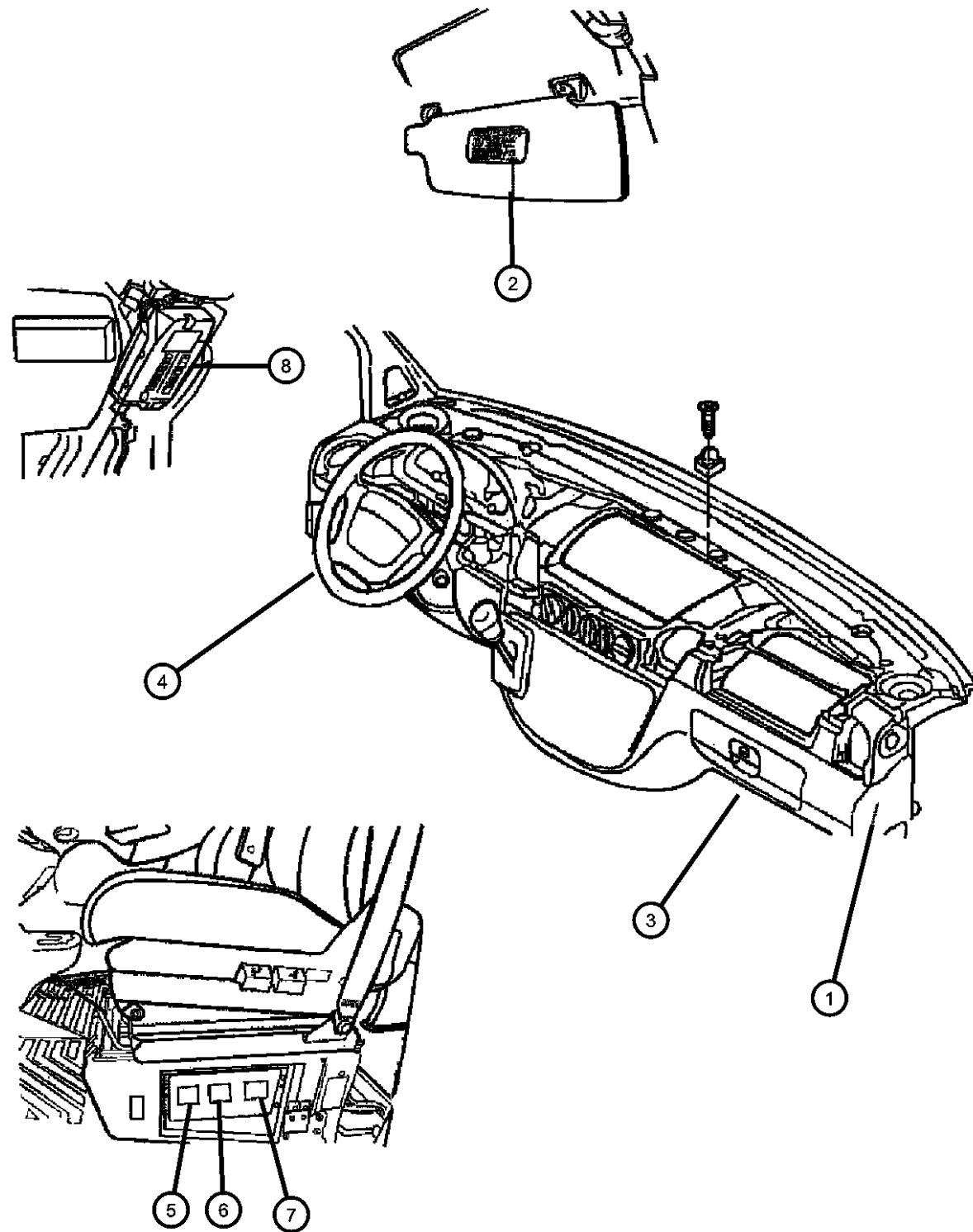
Front / Side & Cargo Fig. LBLS - 305

Exterior

Fuel Door & Filler Fig. LBLS - 410

<p>LBLS-100 Interior</p> 	<p>LBLS-200 Under Hood</p> 	<p>LBLS-300 Doors</p> 	<p>LBLS-400 Exterior</p> 
--	---	---	---

**Instrument Panel / Visors & Interior
Figure LBL5-105**



ITEM	PART NUMBER	QTY	LINE	SERIES	BODY	ENGINE	TRANS	TRIM	DESCRIPTION
1	05096894AA	1		L	01, 02, 06	EX8			LABEL, Airbag
		1		L	11, 12, 14, 15, 16	EX8			
		1		L	51, 52, 54, 55, 56	EX8			
		1		L	02, 06	EX8			
		1		L	12, 15, 16	EX8			
2	05161821AA	1		L	01, 02, 06	EX8			LABEL, Airbag
		1		L	11, 12, 14, 15, 16	EX8			
		1		L	51, 52, 54, 55, 56	EX8			
		1		L	02, 06	EX8			
		1		L	12, 15, 16	EX8			
3	05140792AA	2		L	01, 02, 06	EX8			LABEL, Airbag Sunvisor
		4		L	01, 02, 06	EX8			
		2		L	11, 12, 14, 15, 16	EX8			
		4		L	11, 12, 14, 15, 16	EX8			
		2		L	51, 52, 54, 55, 56	EX8			
4	05121112AA	1		L	01, 02, 06	EX8			LABEL, Warning Electrical
		1		L	11, 12, 14, 15, 16	EX8			
		1		L	51, 52, 54, 55, 56	EX8			
5	05121129AA	1		L	01, 02, 06	EX8			LABEL, Fuse Block

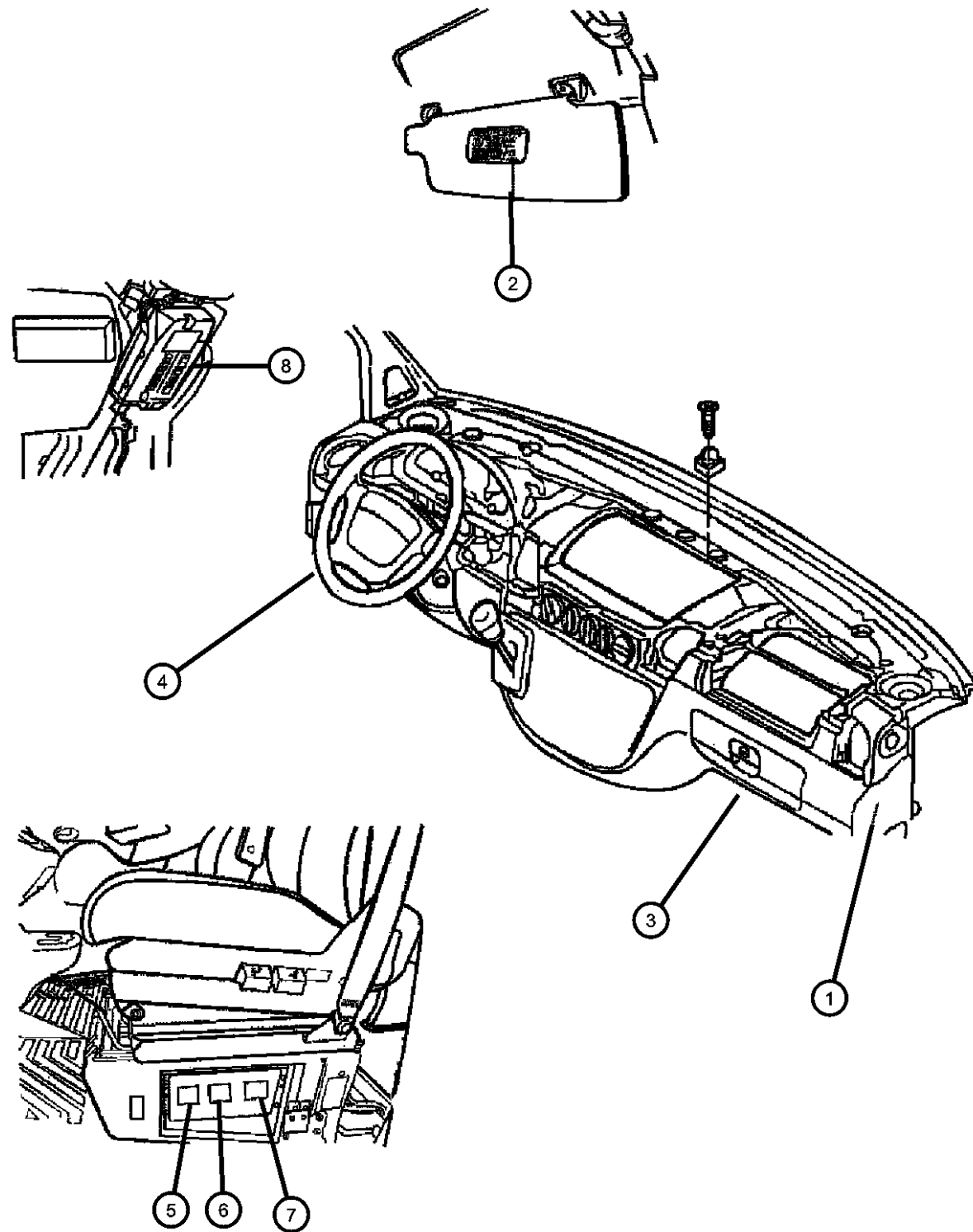
SPRINTER (VA)

SERIES	LINE	BODY	ENGINE	TRANSMISSION
L = LOWLINE	3 = HD DODGE 2WD 8 = HD DODGE 4WD 6 = Lt. Duty DODGE 4WD 2 = Med. Duty DODGE 2WD 7 = Med. Duty DODGE 4WD 4 = TRUCK	01 = CHASSIS FORWARD CONTROL W.B.1 02 = CAB CHASSIS WHEEL BASE 2 06 = CAB CHASSIS WHEEL BASE 6 11 = VAN WHEEL BASE 1 12 = VAN WHEEL BASE 2 51 = WAGON WHEEL BASE 1 52 = WAGON WHEEL BASE 2 14 = VAN WHEEL BASE 4 15 = VAN WHEEL BASE 5 54 = WAGON WHEEL BASE 4 55 = WAGON WHEEL BASE 5 56 = WAGON WHEEL BASE 6 16 = VAN WHEEL BASE 6	EX8 = 2.7L I5 Turbo Diesel Engine EX9 = 2.7L I5 Mercedes-Benz TD Engine	DGJ = 5-Speed Automatic MB Transmission DGZ = 4-Spd. Automatic MT643 Transmission

AR = use ase required - = Non illustrated part

2006 VA

**Instrument Panel / Visors & Interior
Figure LBL5-105**



ITEM	PART NUMBER	QTY	LINE	SERIES	BODY	ENGINE	TRANS	TRIM	DESCRIPTION
		1		L	11, 12, 14, 15, 16	EX8			
		1		L	51, 52, 54, 55, 56	EX8			
6	05121077AA	1		L	01, 02, 06	EX8			LABEL
		1		L	11, 12, 14, 15, 16	EX8			
		1		L	51, 52, 54, 55, 56	EX8			
7		1							LABEL, Tire, PRECISION PRINTERS P.O. BOX 26 CEDAR RIDGE, CA 95924 FAX: 530-273-2878 CONTACT: LISA 800-252-8660 FREIGHTLINER P, (NOT SERVICED) LABEL, Airbag
8	05161821AA	1		L	11, 12, 14, 15, 16	EX8			
		1		L	51, 52, 54, 55, 56	EX8			
		1		L	02, 06	EX8			
		1		L	12, 15, 16	EX8			

SPRINTER (VA)

SERIES

L = LOWLINE

LINE

3 = HD DODGE 2WD
8 = HD DODGE 4WD
6 = Lt. Duty DODGE 4WD
2 = Med. Duty DODGE 2WD
7 = Med. Duty DODGE 4WD
4 = TRUCK

BODY

01 = CHASSIS FORWARD
CONTROL W.B.1
02 = CAB CHASSIS WHEEL
BASE 2
06 = CAB CHASSIS WHEEL
BASE 6
11 = VAN WHEEL BASE 1
12 = VAN WHEEL BASE 2
51 = WAGON WHEEL BASE 1
52 = WAGON WHEEL BASE 2
14 = VAN WHEEL BASE 4
15 = VAN WHEEL BASE 5
54 = WAGON WHEEL BASE 4
55 = WAGON WHEEL BASE 5
56 = WAGON WHEEL BASE 6
16 = VAN WHEEL BASE 6

ENGINE

EX8 = 2.7L I5 Turbo Diesel
Engine
EX9 = 2.7L I5 Mercedes-Benz
TD Engine

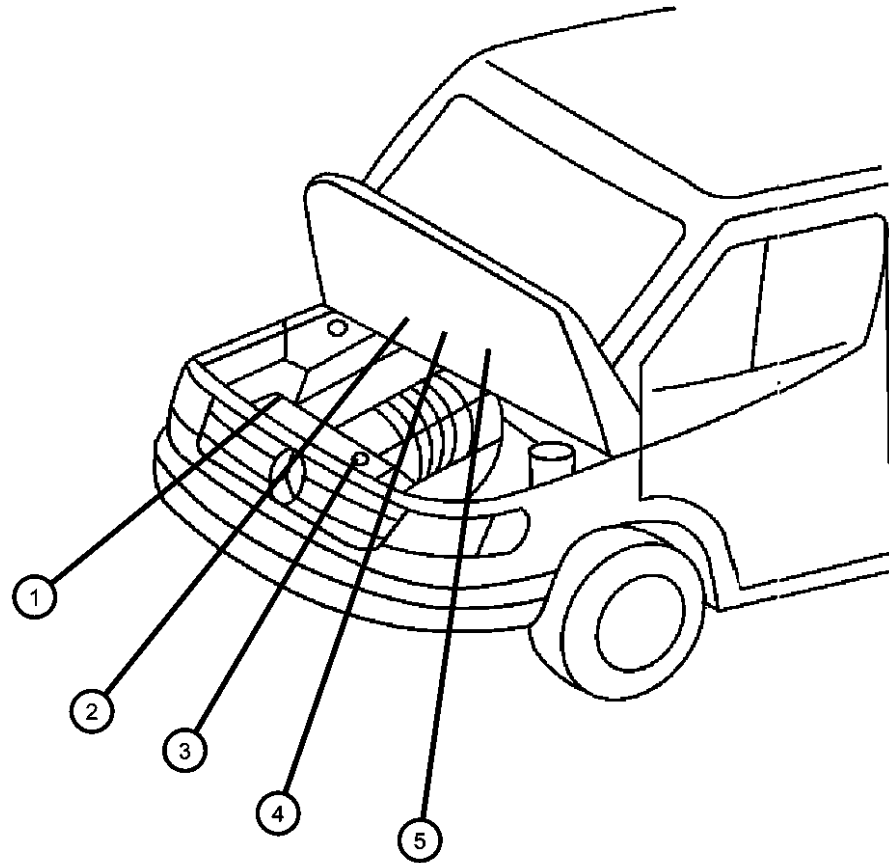
TRANSMISSION

DGJ = 5-Speed Automatic MB
Transmission
DGZ = 4-Spd. Automatic MT643
Transmission

AR = use ase required - = Non illustrated part

2006 VA

**Engine Compartment
Figure LBL5-205**



ITEM	PART NUMBER	QTY	LINE	SERIES	BODY	ENGINE	TRANS	TRIM	DESCRIPTION
1	05104155AA	1		L	01, 02, 06	EX8			LABEL, Fan Caution
		1		L	11, 12, 14, 15, 16	EX8			
		1		L	51, 52, 54, 55, 56	EX8			
		1		L	02, 06	EX8			
		1		L	12, 15, 16	EX8			
2	05124359AA	1		L	01, 02, 06	EX8			LABEL, A/C Spec.
		1		L	11, 12, 14, 15, 16	EX8			
		1		L	51, 52, 54, 55, 56	EX8			
		1		L	02, 06	EX8			
		1		L	12, 15, 16	EX8			
3	05104154AA	1		L	01, 02, 06	EX8			LABEL, Coolant Warning
		1		L	11, 12, 14, 15, 16	EX8			
		1		L	51, 52, 54, 55, 56	EX8			
		1		L	02, 06	EX8			
		1		L	12, 15, 16	EX8			
4	05121165AA	1		L	01, 02, 06	EX8			LABEL, Adhesive Foil
		1		L	11, 12, 14, 15, 16	EX8			
		1		L	51, 52, 54, 55, 56	EX8			
		1		L	02, 06	EX8			
		1		L	12, 15, 16	EX8			

SPRINTER (VA)

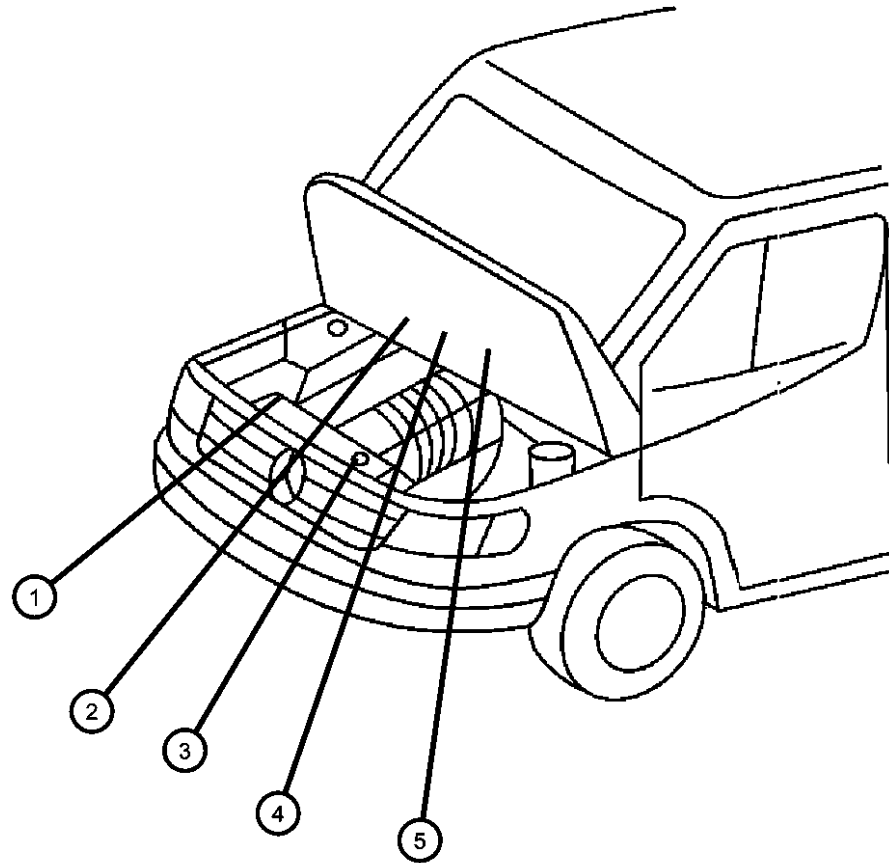
SERIES	LINE	BODY	ENGINE	TRANSMISSION
L = LOWLINE	3 = HD DODGE 2WD 8 = HD DODGE 4WD 6 = Lt. Duty DODGE 4WD 2 = Med. Duty DODGE 2WD 7 = Med. Duty DODGE 4WD 4 = TRUCK	01 = CHASSIS FORWARD CONTROL W.B.1 02 = CAB CHASSIS WHEEL BASE 2 06 = CAB CHASSIS WHEEL BASE 6 11 = VAN WHEEL BASE 1 12 = VAN WHEEL BASE 2 51 = WAGON WHEEL BASE 1 52 = WAGON WHEEL BASE 2 14 = VAN WHEEL BASE 4 15 = VAN WHEEL BASE 5 54 = WAGON WHEEL BASE 4 55 = WAGON WHEEL BASE 5 56 = WAGON WHEEL BASE 6 16 = VAN WHEEL BASE 6	EX8 = 2.7L I5 Turbo Diesel Engine EX9 = 2.7L I5 Mercedes-Benz TD Engine	DGJ = 5-Speed Automatic MB Transmission DGZ = 4-Spd. Automatic MT643 Transmission

AR = use ase required - = Non illustrated part

2006 VA

**Engine Compartment
Figure LBL5-205**

ITEM	PART NUMBER	QTY	LINE	SERIES	BODY	ENGINE	TRANS	TRIM	DESCRIPTION
5									LABEL, Tire Pressure
	05121159AA	1		L	01, 02, 06	EX8			
		1		L	11, 12, 14, 15, 16	EX8			
		1		L	51, 52, 54, 55, 56	EX8			
		1		L	02, 06	EX8			
		1		L	12, 15, 16	EX8			

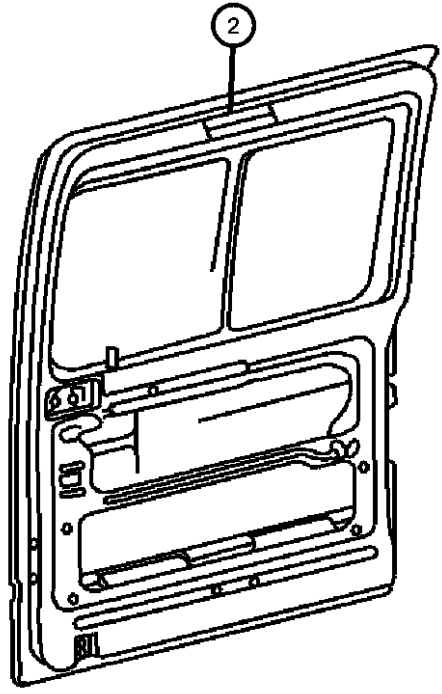
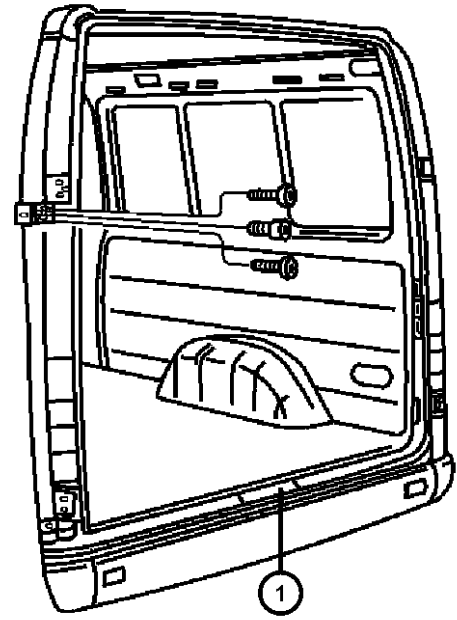


SPRINTER (VA)

SERIES	LINE	BODY	ENGINE	TRANSMISSION
L = LOWLINE	3 = HD DODGE 2WD 8 = HD DODGE 4WD 6 = Lt. Duty DODGE 4WD 2 = Med. Duty DODGE 2WD 7 = Med. Duty DODGE 4WD 4 = TRUCK	01 = CHASSIS FORWARD CONTROL W.B.1 02 = CAB CHASSIS WHEEL BASE 2 06 = CAB CHASSIS WHEEL BASE 6 11 = VAN WHEEL BASE 1 12 = VAN WHEEL BASE 2 51 = WAGON WHEEL BASE 1 52 = WAGON WHEEL BASE 2 14 = VAN WHEEL BASE 4 15 = VAN WHEEL BASE 5 54 = WAGON WHEEL BASE 4 55 = WAGON WHEEL BASE 5 56 = WAGON WHEEL BASE 6 16 = VAN WHEEL BASE 6	EX8 = 2.7L I5 Turbo Diesel Engine EX9 = 2.7L I5 Mercedes-Benz TD Engine	DGJ = 5-Speed Automatic MB Transmission DGZ = 4-Spd. Automatic MT643 Transmission

AR = use ase required - = Non illustrated part

Front / Side & Cargo
Figure LBL5-305



ITEM	PART NUMBER	QTY	LINE	SERIES	BODY	ENGINE	TRANS	TRIM	DESCRIPTION
1	05124356AA	1		L	12, 15, 16	EX8			LABEL
		1		L	12, 15	EX8			
2	05121112AA	1		L	01, 02, 06	EX8			LABEL, Warning
		1		L	11, 12, 14, 15, 16	EX8			Electrical
		1		L	51, 52, 54, 55, 56	EX8			Electrical
	05121162AA	1		L	11, 12, 14, 15, 16	EX8			Sliding Partitions Door
		1		L	12, 15, 16	EX8			Sliding Partitions Door

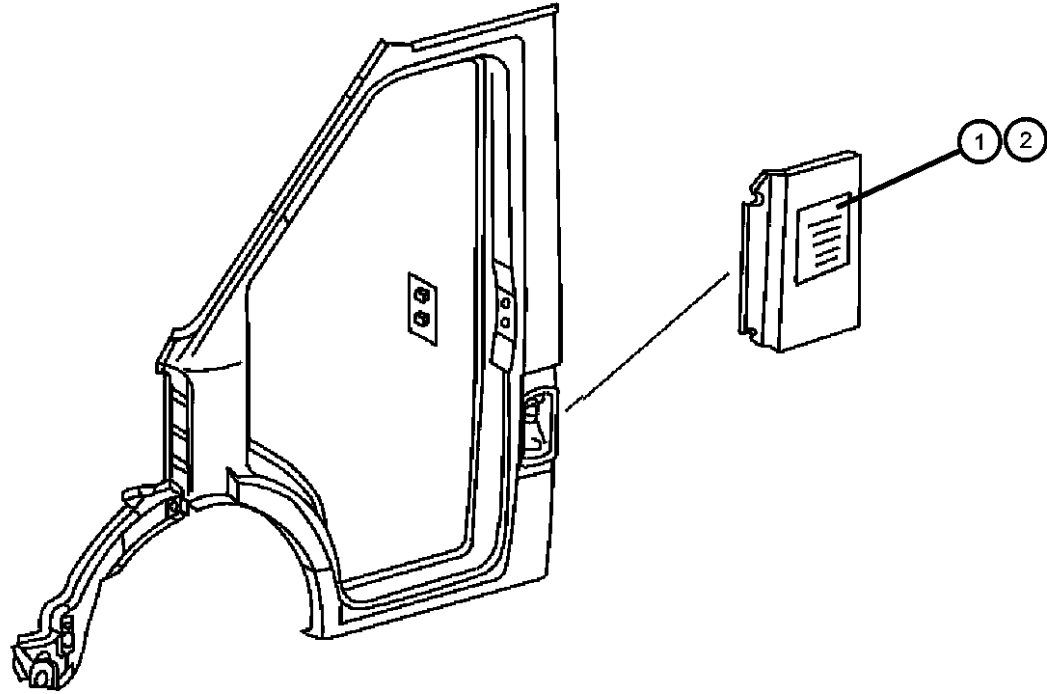
SPRINTER (VA)

SERIES	LINE	BODY	ENGINE	TRANSMISSION
L = LOWLINE	3 = HD DODGE 2WD 8 = HD DODGE 4WD 6 = Lt. Duty DODGE 4WD 2 = Med. Duty DODGE 2WD 7 = Med. Duty DODGE 4WD 4 = TRUCK	01 = CHASSIS FORWARD CONTROL W.B.1 02 = CAB CHASSIS WHEEL BASE 2 06 = CAB CHASSIS WHEEL BASE 6 11 = VAN WHEEL BASE 1 12 = VAN WHEEL BASE 2 51 = WAGON WHEEL BASE 1 52 = WAGON WHEEL BASE 2 14 = VAN WHEEL BASE 4 15 = VAN WHEEL BASE 5 54 = WAGON WHEEL BASE 4 55 = WAGON WHEEL BASE 5 56 = WAGON WHEEL BASE 6 16 = VAN WHEEL BASE 6	EX8 = 2.7L I5 Turbo Diesel Engine EX9 = 2.7L I5 Mercedes-Benz TD Engine	DGJ = 5-Speed Automatic MB Transmission DGZ = 4-Spd. Automatic MT643 Transmission

AR = use ase required - = Non illustrated part

Fuel Door & Filler
Figure LBL5-410

ITEM	PART NUMBER	QTY	LINE	SERIES	BODY	ENGINE	TRANS	TRIM	DESCRIPTION
1	05104152AA	1		L	11, 12, 14, 15, 16	EX8			LABEL, Fuel
		1		L	51, 52, 54, 55, 56	EX8			
2	05104153AA	1		L	11, 12, 14, 15, 16	EX8			LABEL, Diesel Fuel
		1		L	51, 52, 54, 55, 56	EX8			



SPRINTER (VA)

SERIES	LINE	BODY	ENGINE	TRANSMISSION
L = LOWLINE	3 = HD DODGE 2WD 8 = HD DODGE 4WD 6 = Lt. Duty DODGE 4WD 2 = Med. Duty DODGE 2WD 7 = Med. Duty DODGE 4WD 4 = TRUCK	01 = CHASSIS FORWARD CONTROL W.B.1 02 = CAB CHASSIS WHEEL BASE 2 06 = CAB CHASSIS WHEEL BASE 6 11 = VAN WHEEL BASE 1 12 = VAN WHEEL BASE 2 51 = WAGON WHEEL BASE 1 52 = WAGON WHEEL BASE 2 14 = VAN WHEEL BASE 4 15 = VAN WHEEL BASE 5 54 = WAGON WHEEL BASE 4 55 = WAGON WHEEL BASE 5 56 = WAGON WHEEL BASE 6 16 = VAN WHEEL BASE 6	EX8 = 2.7L I5 Turbo Diesel Engine EX9 = 2.7L I5 Mercedes-Benz TD Engine	DGJ = 5-Speed Automatic MB Transmission DGZ = 4-Spd. Automatic MT643 Transmission

AR = use ase required - = Non illustrated part

2006 VA